

SPARES
BACKHOE LOADER
860SX

Publication No. August 2010

Contents

Chassis - Sideshift Short	12
Digger Stabilisers - Sideshift Mechanical Installation	14
Digger Stabilisers - Sideshift Stabilizer Cylinder	16
Digger Stabilisers - Sideshift Stabilizer Cylinder	18
Chassis - Centremount Short	20
Chassis - Sideshift Short	22
Digger Stabilisers - Sideshift Mechanical Installation	24
Digger Stabilisers - Sideshift Stabilizer Cylinder	26
Digger Stabilisers - Sideshift Stabilizer Cylinder	28
Chassis - Centremount Short	30
Engine Cover Yellow	32
Engine Cover White	36
Front Axle - Installation 4 Wheel Drive/2 Wheel Steer	40
Front Axle - Installation 4 Wheel Drive/2 Wheel Steer	42
Front Axle - Installation	44
Front Axle - Installation 4 Wheel Drive/2 Wheel Steer	46
Front Axle - Installation 4 Wheel Drive/2 Wheel Steer	48
Front Axle - Installation 4 Wheel Drive/2 Wheel Steer	50
Front Axle - Installation 4 Wheel Drive/2 Wheel Steer	52
Front Axle - Installation 4 Wheel Drive/2 Wheel Steer	54
Steering System 2 Wheel Steer	56
Front Wheels	58
Rear Wheels	60
Front Wheels	62
Rear Wheels	64
Rear Wheels	66
Front Wheels	68
Front Wheels	70
Rear Wheels	72
Front Wheels	74
Rear Wheels	76
Front Wheels	78
Rear Wheels	80
Hardnose And Grille	82
Engine - Engine Installation Rg38099	84
Engine - Cylinder Block Rg38099	86
Engine - Pistons And Crankshaft Rg38099	88
Engine - Cylinder Head Rg38099	92
Engine - Rockers Rg38099	94
Engine - Camshaft Rg38099	96
Engine - Lubricating Oil Filler And Breather Rg38099	98
Engine - Turbocharger Connections Rg38099	102
Engine - Exhaust Manifold Rg38099	104
Engine - Thermostat And Water Filter Rg38099	106
Engine - Water Pump Rg38099	108
Engine - Crankshaft Pulley Rg38099	110
Engine - Flywheel Rg38099	112
Engine - Flywheel Housing Rg38099	114
Engine - Oil Pan Rg38099	116
Engine - Lubricating Oil Filter And Integral Oil Cooler Rg38099	118
Engine - Oil Pump Rg38099	120
Engine - Fuel System Rg38099	122

Engine - Fuel Lift Pump Rg38099	126	Engine - Fuel System Tier 3	240
Engine - Filter With Fuel Separator Up To Serial Number Tba	128	Engine - Fuel Lift Pump Tier 3	244
Engine - Filter With Fuel Separator From Serial Number Tba	130	Engine - Fuel Pipes Tier 3	246
Engine - Alternator And Mounting Rg38099	132	Engine - Filter With Fuel Separator Tier 3	248
Engine - Glow Plugs Rg38099	134	Engine - Alternator And Mounting Tier 3	250
Engine - Engine Lifting Rg38099	136	Engine - Fan Drive Tier 3	252
Engine - Plug And Blank-Off Plug Rg38099	138	Engine - Glow Plugs Tier 3	254
Engine - Joints And Gaskets Rg38099	140	Engine - Starter Motor Tier 3	256
Engine - Joints And Gaskets Rg38099	142	Engine - Plugs And Mounts Tier 3	258
Engine - Engine Installation Rg38044	144	Engine - Cylinder Head Auxiliaries Tier 3	260
Engine - Cylinder Block Rg38044	146	Fuel System Tier 3	262
Engine - Pistons And Crankshaft Rg38044	148	Fuel System - Fuel Tank Tier 3	264
Engine - Cylinder Head Rg38044	152	Exhaust System From Serial Number H200 7 1093	266
Engine - Rockers Rg38044	154	Induction System - Air Filtration	268
Engine - Camshaft Rg38044	156	Induction System - Air Filter	270
Engine - Lubricating Oil Filler And Breather Rg38044	158	Induction System - Air Filtration With Pre Cleaner	272
Engine - Turbocharger Connections Rg38044	162	Induction System - Air Filter	274
Engine - Exhaust Manifold Rg38044	164	Cooling System ROPS	276
Engine - Thermostat And Water Filter Rg38044	166	Cooling System - Radiator Assembly ROPS	278
Engine - Water Pump Rg38044	168	Cooling System Without Air Conditioning	280
Engine - Crankshaft Pulley Rg38044	170	Cooling System - Radiator Assembly Without Air Conditioning	284
Engine - Flywheel Rg38044	172	Cooling System With Air Conditioning	286
Engine - Flywheel Housing Rg38044	174	Cooling System - Radiator Assembly With Air Conditioning	290
Engine - Oil Pan Rg38044	176	Cooling System ROPS	292
Engine - Lubricating Oil Filter And Integral Oil Cooler Rg38044	178	Cooling System - Radiator Assembly ROPS	296
Engine - Oil Pump Rg38044	180	Cooling System Without Air Conditioning	298
Engine - Fuel System Rg38044	182	Cooling System - Radiator Assembly Without Air Conditioning	302
Engine - Fuel Lift Pump Rg38044	186	Cooling System With Air Conditioning	304
Engine - Filter With Fuel Separator Up To Serial Number Tba	188	Cooling System - Radiator Assembly With Air Conditioning	308
Engine - Filter With Fuel Separator From Serial Number Tba	190	Torque Converter	310
Engine - Alternator And Mounting Rg38044	192	Drive Line Bolting	312
Engine - Glow Plugs Rg38044	194	Drive Line Bolting	316
Engine - Engine Lifting Rg38044	196	Transmission - Drive Shaft 4 Wheel Drive	320
Engine - Plug And Blank-Off Plug Rg38044	198	Transmission - Oil Filler 4 Wheel Drive	322
Engine - Joints And Gaskets Rg38044	200	Transmission - Oil Filler 4 Wheel Drive	324
Engine - Joints And Gaskets Rg38044	202	Transmission - Oil Filter 4 Wheel Drive	326
Engine - Engine Installation Tier 3	204	Transmission - Charging Pump 4 Wheel Drive	328
Engine - Cylinder Block Tier 3	206	Transmission - Oil Strainer 4 Wheel Drive	330
Engine - Pistons And Crankshaft Tier 3	208	Transmission - Housing 4 Wheel Drive	332
Engine - Cylinder Head Tier 3	210	Transmission - Input Shaft 4 Wheel Drive	336
Engine - Rockers And Camshaft Tier 3	212	Transmission - Reverse / First Shaft 4 Wheel Drive	340
Engine - Timing Case Tier 3	214	Transmission - Second Shaft 4 Wheel Drive	342
Engine - Lubricating Oil Filler And Breather Tier 3	216	Transmission - 4 Wheel Drive Shaft 4 Wheel Drive	346
Engine - Turbocharger Connections Tier 3	220	Transmission - Fork And Gearshift Rails 4 Wheel Drive	348
Engine - Exhaust Manifold Tier 3	222	Transmission - Control Valve 4 Wheel Drive	350
Engine - Thermostat And Water Pipes Tier 3	224	Transmission - Control Valve 4 Wheel Drive	354
Engine - Water Pump Tier 3	226	Transmission - Solenoid Valve 4 Wheel Drive	358
Engine - Crankshaft Pulley Tier 3	228	Consumable	360
Engine - Flywheel Tier 3	230	Consumables	362
Engine - Flywheel Housing Tier 3	232	Consumable	366
Engine - Oil Pan Tier 3	234	Consumable	368
Engine - Oil Filter And Integral Oil Cooler Tier 3	236	Consumable	370
Engine - Oil Pump Tier 3	238	Consumable	372

Consumable	374	Hydraulic Valve - Backhoe Control Centre Mounted Digger Installation	530
Consumable	376	Torque Converter - Hydraulic Lines	532
Consumable	378	Main Hydraulics - Hydraulic Lines Synchro Shuttle	534
Consumable	380	Main Hydraulics - Hydraulic Lines Synchro Shuttle	538
Consumable	382	Main Hydraulics - Oil Filter Synchro Shuttle	542
Consumable	384	Main Hydraulics - Solenoid Valve Synchro Shuttle	544
Gear Change - Control Lever 4 Speed	386	Hydraulic Reservoir Synchro Shuttle	546
Gear Change - Control Lever 3 Speed	388	Main Hydraulics - Tandem Pump Synchro Shuttle	548
Rear Axle 2 Wheel Steer	390	Control Box - Installation From Serial Number Tba	550
Rear Axle 2 Wheel Steer	392	Control Box Control Pedals	552
Rear Axle 2 Wheel Steer	394	Control Box Hydraulics	556
Rear Axle 2 Wheel Steer	396	Control Box Brake Cylinder	558
Rear Axle 2 Wheel Steer	398	Control Box Steering	560
Rear Axle 2 Wheel Steer	400	Throttle Controls	562
Rear Axle 2 Wheel Steer	402	Throttle Controls Lever, Control	564
Rear Axle 2 Wheel Steer	404	Tool Kit - Wheel Brace + Grease Gun	566
Rear Axle 2 Wheel Steer	406	Service Brake - Brake Circuit From Serial Number Tba	568
Rear Axle - Brake Caliper	408	Service Brake - Brake Circuit From Serial Number Tba	570
Hydraulic Valve - Backhoe Control Sideshift Digger Installation	410	Differential Lock Synchro Shuttle	572
Hydraulic Valve - Backhoe Control Inlet	412	Parking Brake	574
Hydraulic Valve - Backhoe Control Slew	416	Parking Brake 4 Post ROPS	576
Hydraulic Valve - Backhoe Control Boom	422	Cab - 4 Post ROPS	578
Hydraulic Valve - Backhoe Control Dipper	428	Cab - Rear Worklight	580
Hydraulic Valve - Backhoe Control Bucket	434	Cab - Relay Bracket	582
Hydraulic Valve - Backhoe Control Stabilizer	440	Cab - Frame	584
Hydraulic Valve - Backhoe Control Auxiliary	444	Cab - Door	588
Hydraulic Valve - Backhoe Control Outlet	450	Cab - Rear Window	594
Hydraulic Valve - Backhoe Control Centre Mounted Digger Installation	452	Cab - Outer Roof	598
Hydraulic Valve - Backhoe Control Inlet	454	Cab - Front Worklight	602
Hydraulic Valve - Backhoe Control Slew	458	Cab - Rear Worklight	604
Hydraulic Valve - Backhoe Control Boom	464	Cab - Inner Roof	606
Hydraulic Valve - Backhoe Control Dipper	470	Cab - Frame	608
Hydraulic Valve - Backhoe Control Bucket	476	Cab - Door	612
Hydraulic Valve - Backhoe Control Stabilizer	482	Cab - Rear Window	618
Hydraulic Valve - Backhoe Control Auxiliary	486	Cab - Outer Roof	622
Hydraulic Valve - Backhoe Control Outlet	492	Cab - Inner Roof	626
Hydraulic Valve - Backhoe Control Sideshift Digger Installation	494	Cab Trim - Windscreen Wiper	628
Hydraulic Valve - Backhoe Control Sideshift Digger Installation	498	Cab - Front Worklight	630
Hydraulic Valve - Backhoe Control Sideshift Digger Installation	500	Cab - Rear Worklight	632
Hydraulic Valve - Backhoe Control Sideshift Digger Installation	502	Cab Trim - Heater	634
Hydraulic Valve - Backhoe Control Sideshift Digger Installation	504	Cab Trim - Console	636
Hydraulic Valve - Backhoe Control Sideshift Digger Installation	506	Cab Trim - Console RH	638
Hydraulic Valve - Backhoe Control Sideshift Digger Installation	508	Cab Side Console - Fuse & Relay Board	640
Hydraulic Valve - Backhoe Control Sideshift Digger Installation	510	Cab Trim - Cab Mounting	644
Hydraulic Valve - Backhoe Control Sideshift Digger Installation	512	Cab Trim - Floorplate Cab	646
Hydraulic Valve - Backhoe Control Centre Mounted Digger Installation	514	Cab Trim - Console	648
Hydraulic Valve - Backhoe Control Centre Mounted Digger Installation	516	Cab Trim - Windscreen Wiper	650
Hydraulic Valve - Backhoe Control Centre Mounted Digger Installation	518	Cab Trim - Cab Mounting 4 Post ROPS	652
Hydraulic Valve - Backhoe Control Centre Mounted Digger Installation	520	Cab Trim - Floorplate 4 Post ROPS	654
Hydraulic Valve - Backhoe Control Centre Mounted Digger Installation	522	Cab Trim - Cab Mounting	656
Hydraulic Valve - Backhoe Control Centre Mounted Digger Installation	524	Cab Trim - Floorplate & Digger Tower	658
Hydraulic Valve - Backhoe Control Centre Mounted Digger Installation	526	Cab Trim - Mats	660
Hydraulic Valve - Backhoe Control Centre Mounted Digger Installation	528	Cab Trim - Mats	662

Not Serviced	664	Side Console - Instrument Panel Switchpack	784
Cab Environment - Heater Installation Front	666	Chassis Electrics Synchro Shuttle - Carraro	786
Cab Environment - Heater Installation Rear	670	Battery - Single From Serial Number H200 4 2919	790
Cab Environment - Heater Unit	672	Battery - Dual From Serial Number H200 4 2919	792
Cab Environment - Air Conditioning Installation	674	Battery - Single Tier 3	794
Cab Environment - Heater Installation Front	678	Battery - Dual Tier 3	796
Cab Environment - Air Conditioning Installation Rear	682	Rear Lighting - Sideshift	798
Cab Environment - Air Conditioning Unit	684	Rear Lighting - Centremount	800
Cab Environment - Less Heater Unit ROPS	688	Rear Lighting - ROPS	802
Front Console - Installation ROPS	690	Rear Lighting - ROPS 4 Post ROPS	804
Front Console ROPS	692	Front Lighting - Headlights Left Hand Dip	806
Front Console - Instrument Panel ROPS	694	Front Lighting - Headlights Right Hand Dip	808
Front Console - Forward/Reverse Switch ROPS	696	Mirrors - Cab	810
Front Console - Installation ROPS	698	Mirrors - ROPS 4 Post ROPS	812
Front Console ROPS	700	Seat - Seat Installation Fabric Trim - Cab Machines	814
Front Console - Instrument Panel ROPS	702	Seat - Fabric Trim Cab	816
Front Console - Forward/Reverse Switch ROPS	704	Seat - Seat Installation Air Suspension	818
Front Console - Installation Cab	706	Seat - Fabric Trim Air Suspension	820
Front Console Cab	708	Seat - Seat Installation Weatherproof P.V.C. Trim	822
Front Console - Instrument Panel Cab	710	Seat - Weatherproof P.V.C. Trim 4 Post ROPS	824
Front Console - Forward/Reverse Switch Cab	712	Seat - Weatherproof P.V.C. Trim Air Suspension	826
Front Console - Installation Cab	714	Seat - Seat Installation Air Suspension	828
Front Console Cab	716	Front Fenders 2 Wheel Steer	834
Front Console - Instrument Panel Cab	718	Ride Control - Hydraulic Circuit English	836
Front Console - Forward/Reverse Switch Cab	720	Ride Control - Hydraulic Circuit English	838
Front Console - Installation ROPS	722	Ride Control - Hydraulic Circuit Less Ride Control	840
Front Console ROPS	724	Ride Control - Hydraulic Circuit French	842
Front Console - Instrument Panel ROPS	726	Ride Control - Hydraulic Circuit French	844
Front Console - Forward/Reverse Switch ROPS	728	Ride Control - Hydraulic Circuit German	846
Front Console - Installation ROPS	730	Ride Control - Hydraulic Circuit German	848
Front Console ROPS	732	Ride Control - Hydraulic Circuit Italian	850
Front Console - Instrument Panel ROPS	734	Ride Control - Hydraulic Circuit Italian	852
Front Console - Forward/Reverse Switch ROPS	736	Ride Control - Hydraulic Circuit Spanish	854
Front Console - Installation Cab	738	Ride Control - Hydraulic Circuit Spanish	856
Front Console Cab	740	Ride Control - Hydraulic Circuit Dutch	858
Front Console - Instrument Panel Cab	742	Ride Control - Hydraulic Circuit Dutch	860
Front Console - Forward/Reverse Switch Cab	744	Ride Control - Hydraulic Circuit Danish	862
Front Console - Installation Cab	746	Ride Control - Hydraulic Circuit Danish	864
Front Console Cab	748	Ride Control - Hydraulic Circuit	866
Front Console - Instrument Panel Cab	750	Ride Control - Hydraulic Circuit Solenoid Valve	868
Front Console - Forward/Reverse Switch Cab	752	Ride Control - Hydraulic Circuit	870
Side Console Switchpack	754	Ride Control - Hydraulic Circuit Solenoid Valve	872
Side Console - Instrument Panel Switchpack	758	Ride Control - Hydraulic Circuit ROPS	874
Side Console - Fuse & Relay Board	760	Ride Control - Hydraulic Circuit Solenoid Valve	876
Side Console Switchpack	762	Ride Control - Hydraulic Circuit ROPS	878
Side Console - Instrument Panel Switchpack	766	Ride Control - Hydraulic Circuit Solenoid Valve	880
Side Console - Fuse & Relay Board	768	Loader - Arms Yellow	882
Side Console 4 Post ROPS	770	Loader - Links Yellow	886
Side Console - Instrument Panel Rocker Switch	774	Loader - Return To Dig Mechanical	888
Side Console - Fuse & Relay Board	776	Loader - Return To Dig Mechanical	892
Side Console Switchpack	778	Loader - Safety Strut	896
Side Console - Instrument Panel Switchpack	780	Loader - Arms White	898
Side Console Switchpack	782	Loader - Links White	902

Loader - Return To Dig Mechanical	904	Loader Controls Lower Control Levers	1042
Loader - Return To Dig Mechanical	908	Loader Controls Control Valve	1046
Loader - Safety Strut	912	Loader Controls - Hydraulic Valve Inlet	1048
Loader Bucket - Standard For Use With Forks	914	Loader Controls - Hydraulic Valve Loader Arm Section	1050
Loader Bucket - Standard For Use With Forks	916	Loader Controls - Hydraulic Valve Standard Bucket Section	1052
Loader Bucket - 7 In 1	918	Loader Controls - Hydraulic Valve Standard Bucket Section	1054
Loader Bucket - 7 In 1 Bucket Pipework	920	Loader Controls - Hydraulic Valve Standard Bucket Section	1056
Loader Bucket - 7 In 1 Cylinder	922	Loader Controls Upper Control Levers	1058
Loader Bucket - 7 In 1	924	Loader Controls Lower Control Levers	1062
Loader Bucket - 7 In 1 Bucket Pipework	926	Loader Controls Control Valve	1066
Loader Bucket - 7 In 1 Cylinder	928	Loader Controls - Hydraulic Valve Inlet	1068
Loader Bucket Less Bucket	930	Loader Controls - Hydraulic Valve Loader Arm Section	1070
Loader Hydraulics - Lift Cylinder High Specification	932	Loader Controls - Hydraulic Valve Standard Bucket Section	1072
Loader Hydraulics - Lift Cylinder High Specification Pacoma	936	Loader Controls - Hydraulic Valve Standard Bucket Section	1074
Loader Hydraulics - Lift Cylinder High Specification Wipro	938	Loader Controls - Hydraulic Valve Standard Bucket Section	1076
Loader Hydraulics - Bucket Cylinder High Specification	940	Loader Controls Upper Control Levers	1078
Loader Hydraulics - Bucket Cylinder High Specification Pacoma	944	Loader Controls Lower Control Levers	1080
Loader Hydraulics - Bucket Cylinder High Specification Wipro	946	Loader Controls Control Valve	1084
Loader Hydraulics - Lift Cylinder High Specification	948	Loader Controls - Hydraulic Valve Inlet	1086
Loader Hydraulics - Lift Cylinder High Specification Pacoma	952	Loader Controls - Hydraulic Valve Loader Arm Section	1088
Loader Hydraulics - Lift Cylinder High Specification Wipro	954	Loader Controls - Hydraulic Valve Standard Bucket Section	1090
Loader Hydraulics - Bucket Cylinder High Specification	956	Loader Controls - Hydraulic Valve Standard Bucket Section	1092
Loader Hydraulics - Bucket Cylinder High Specification Pacoma	960	Loader Controls - Hydraulic Valve Standard Bucket Section	1094
Loader Hydraulics - Bucket Cylinder High Specification Wipro	962	Loader Controls Upper Control Levers	1096
Loader Hydraulics - Lift Cylinder High Specification	964	Loader Controls Lower Control Levers	1098
Loader Hydraulics - Lift Cylinder High Specification Pacoma	968	Loader Controls Control Valve	1102
Loader Hydraulics - Lift Cylinder High Specification Wipro	970	Loader Controls - Hydraulic Valve Inlet	1104
Loader Hydraulics - Bucket Cylinder Standard Specification	972	Loader Controls - Hydraulic Valve Loader Arm Section	1106
Loader Hydraulics - Bucket Cylinder High Specification Pacoma	974	Loader Controls - Hydraulic Valve Standard Bucket Section	1108
Loader Hydraulics - Bucket Cylinder High Specification Wipro	976	Loader Controls - Hydraulic Valve Standard Bucket Section	1110
Loader Hydraulics - Lift Cylinder High Specification	978	Loader Controls - Hydraulic Valve Standard Bucket Section	1112
Loader Hydraulics - Lift Cylinder High Specification Pacoma	982	Loader Controls - Upper Control Levers 7 In 1 Bucket	1114
Loader Hydraulics - Lift Cylinder High Specification Wipro	984	Loader Controls - Lower Control Levers 7 In 1 Bucket	1118
Loader Hydraulics - Bucket Cylinder High Specification	986	Loader Controls - Control Valve 7 In 1 Bucket	1122
Loader Hydraulics - Bucket Cylinder High Specification Pacoma	990	Loader Controls - Hydraulic Valve Inlet	1124
Loader Hydraulics - Bucket Cylinder High Specification Wipro	992	Loader Controls - Hydraulic Valve Loader Arm Section	1126
Loader Hydraulics - Lift Cylinder High Specification	994	Loader Controls - Hydraulic Valve Standard Bucket Section	1132
Loader Hydraulics - Lift Cylinder High Specification Pacoma	998	Loader Controls - Hydraulic Valve Bucket Section, 7 In-1	1138
Loader Hydraulics - Lift Cylinder High Specification Wipro	1000	Loader Controls - Hydraulic Valve Outlet	1144
Loader Hydraulics - Bucket Cylinder High Specification	1002	Loader Controls - Upper Control Levers	1146
Loader Hydraulics - Bucket Cylinder High Specification Pacoma	1006	Loader Controls - Lower Control Levers	1148
Loader Hydraulics - Bucket Cylinder High Specification Wipro	1008	Loader Controls - Control Valve	1152
Loader Hydraulics - Lift Cylinder High Specification	1010	Loader Controls - Hydraulic Valve Inlet	1154
Loader Hydraulics - Lift Cylinder High Specification Pacoma	1014	Loader Controls - Hydraulic Valve Loader Arm Section	1156
Loader Hydraulics - Lift Cylinder High Specification Wipro	1016	Loader Controls - Hydraulic Valve Standard Bucket Section	1162
Loader Hydraulics - Bucket Cylinder High Specification	1018	Loader Controls - Hydraulic Valve Bucket Section, 7 In-1	1168
Loader Hydraulics - Bucket Cylinder High Specification Pacoma	1022	Loader Controls - Hydraulic Valve Outlet	1174
Loader Hydraulics - Bucket Cylinder High Specification Wipro	1024	Loader Controls Upper Control Levers	1176
Hose Burst Kit Loader Arm Cylinder	1026	Loader Controls Lower Control Levers	1178
Hose Burst Kit Loader Bucket Cylinder	1030	Loader Controls Control Valve	1182
Hose Burst Kit Boom Cylinder	1034	Loader Controls - Hydraulic Valve Inlet	1184
Hose Burst Kit Dipper Cylinder	1036	Loader Controls - Hydraulic Valve Loader Arm Section	1186
Loader Controls Upper Control Levers	1038	Loader Controls - Hydraulic Valve Standard Bucket Section	1188

Loader Controls - Hydraulic Valve Standard Bucket Section	1190	Dipper - Extendahoe Case Bucket	1324
Loader Controls - Hydraulic Valve Standard Bucket Section	1192	Dipper - Extendahoe Cylinder	1330
Loader Controls Upper Control Levers	1194	Dipper - Standard Jcb Bucket	1332
Loader Controls Lower Control Levers	1198	Dipper - Standard Jcb Bucket	1334
Loader Controls Control Valve	1202	Dipper - Extendahoe Jcb Bucket	1336
Loader Controls - Hydraulic Valve Inlet	1204	Dipper - Extendahoe Cylinder	1342
Loader Controls - Hydraulic Valve Loader Arm Section	1206	Dipper - Extendahoe Jcb Bucket	1344
Loader Controls - Hydraulic Valve Standard Bucket Section	1208	Dipper - Extendahoe Cylinder	1350
Loader Controls - Hydraulic Valve Standard Bucket Section	1210	Digger Bucket Linkage	1352
Loader Controls - Hydraulic Valve Standard Bucket Section	1212	Digger Bucket Linkage	1354
Loader Controls Upper Control Levers	1214	Digger Bucket Linkage - Jcb Buckets	1356
Loader Controls Lower Control Levers	1216	Digger Bucket Linkage - Jcb Buckets	1358
Loader Controls Control Valve	1220	Digger Bucket Linkage - Case Buckets	1360
Loader Controls - Hydraulic Valve Inlet	1222	Digger Bucket Linkage - Case Buckets	1362
Loader Controls - Hydraulic Valve Loader Arm Section	1224	Digger Hydraulics - Sideshift Bucket	1364
Loader Controls - Hydraulic Valve Standard Bucket Section	1226	Digger Hydraulics - Sideshift Bucket Cylinder - Pacoma	1368
Loader Controls - Hydraulic Valve Standard Bucket Section	1228	Digger Hydraulics - Sideshift Bucket Cylinder - Wipro	1370
Loader Controls - Hydraulic Valve Standard Bucket Section	1230	Digger Hydraulics - Sideshift Standard Dipper	1372
Loader Controls Upper Control Levers	1232	Digger Hydraulics - Sideshift Dipper Cylinder - Pacoma	1374
Loader Controls Lower Control Levers	1236	Digger Hydraulics - Sideshift Dipper Cylinder - Wipro	1376
Loader Controls Control Valve	1240	Digger Hydraulics - Sideshift Boom	1378
Loader Controls - Hydraulic Valve Inlet	1242	Digger Hydraulics - Sideshift Boom Cylinder Pacoma	1380
Loader Controls - Hydraulic Valve Loader Arm Section	1244	Digger Hydraulics - Sideshift Boom Cylinder Wipro	1382
Loader Controls - Hydraulic Valve Standard Bucket Section	1246	Digger Hydraulics - Sideshift Swing Components	1384
Loader Controls - Hydraulic Valve Standard Bucket Section	1248	Digger Hydraulics - Sideshift Clamp	1386
Loader Controls - Hydraulic Valve Standard Bucket Section	1250	Digger Hydraulics - Sideshift Attachment	1388
Boom Transport Lock Sideshift Digger	1256	Digger Hydraulics - Sideshift Attachment	1392
Boom Transport Lock Centre Mounted Digger	1258	Digger Hydraulics - Sideshift Bucket	1396
Digger Stabilisers - Sideshift Hydraulic Installation	1260	Digger Hydraulics - Sideshift Bucket Cylinder - Pacoma	1400
Digger Stabilisers - Sideshift Mechanical Installation	1262	Digger Hydraulics - Sideshift Bucket Cylinder - Wipro	1402
Digger Stabilisers - Sideshift Hydraulic Installation	1264	Digger Hydraulics - Sideshift Telescopic Dipper	1404
Digger Stabilisers - Sideshift Stabilizer Cylinder	1266	Digger Hydraulics - Sideshift Dipper Cylinder - Pacoma	1406
Digger Stabilisers - Sideshift Stabilizer Cylinder	1268	Digger Hydraulics - Sideshift Dipper Cylinder - Wipro	1408
Digger Stabilisers - Sideshift Lock-Out Valve	1270	Digger Hydraulics - Sideshift Boom	1410
Digger Swing Pivot - Sideshift	1272	Digger Hydraulics - Sideshift Boom Cylinder Pacoma	1412
Digger Swing Pivot - Sideshift Swing Cylinder Pacoma	1276	Digger Hydraulics - Sideshift Boom Cylinder Wipro	1414
Digger Swing Pivot - Sideshift Swing Cylinder Wipro	1278	Digger Hydraulics - Sideshift Swing Components	1416
Digger Swing Pivot - Centremount	1280	Digger Hydraulics - Sideshift Clamp	1418
Digger Swing Pivot - Centremount Swing Cylinder Pacoma	1282	Digger Hydraulics - Sideshift Attachment	1420
Digger Swing Pivot - Centremount Swing Cylinder Wipro	1284	Digger Hydraulics - Sideshift Attachment	1424
Boom	1286	Digger Hydraulics - Sideshift Bucket	1428
Boom	1288	Digger Hydraulics - Sideshift Bucket Cylinder - Pacoma	1432
Not Serviced	1290	Digger Hydraulics - Sideshift Bucket Cylinder - Wipro	1434
Dipper - Standard	1292	Digger Hydraulics - Sideshift Standard Dipper	1436
Dipper - Standard	1294	Digger Hydraulics - Sideshift Dipper Cylinder - Pacoma	1438
Dipper - Extendahoe	1296	Digger Hydraulics - Sideshift Dipper Cylinder - Wipro	1440
Dipper - Extendahoe Cylinder	1302	Digger Hydraulics - Sideshift Boom	1442
Dipper - Extendahoe	1304	Digger Hydraulics - Sideshift Boom Cylinder Pacoma	1444
Dipper - Extendahoe Cylinder	1310	Digger Hydraulics - Sideshift Boom Cylinder Wipro	1446
Dipper - Standard Case Bucket	1312	Digger Hydraulics - Sideshift Swing Components	1448
Dipper - Standard Case Bucket	1314	Digger Hydraulics - Sideshift Clamp	1450
Dipper - Extendahoe Case Bucket	1316	Digger Hydraulics - Sideshift Attachment	1452
Dipper - Extendahoe Cylinder	1322	Digger Hydraulics - Sideshift Attachment	1456

Digger Hydraulics - Sideshift Bucket	1460	Digger Hydraulics - Centremount Bucket	1580
Digger Hydraulics - Sideshift Bucket Cylinder - Pacoma	1464	Digger Hydraulics - Centremount Bucket Cylinder - Pacoma	1584
Digger Hydraulics - Sideshift Bucket Cylinder - Wipro	1466	Digger Hydraulics - Sideshift Bucket Cylinder - Wipro	1586
Digger Hydraulics - Sideshift Telescopic Dipper	1468	Digger Hydraulics - Centremount Standard Dipper	1588
Digger Hydraulics - Sideshift Dipper Cylinder - Pacoma	1470	Digger Hydraulics - Centremount Dipper Cylinder - Pacoma	1590
Digger Hydraulics - Sideshift Dipper Cylinder - Wipro	1472	Digger Hydraulics - Sideshift Dipper Cylinder - Wipro	1592
Digger Hydraulics - Sideshift Boom	1474	Digger Hydraulics - Centremount Boom 4.5m	1594
Digger Hydraulics - Sideshift Boom Cylinder - Pacoma	1476	Digger Hydraulics - Centremount Boom Cylinder - Pacoma	1596
Digger Hydraulics - Sideshift Boom Cylinder - Wipro	1478	Digger Hydraulics - Centremount Boom Cylinder - Wipro	1598
Digger Hydraulics - Sideshift Swing Components	1480	Digger Hydraulics - Centremount Swing Components	1600
Digger Hydraulics - Sideshift Clamp	1482	Digger Hydraulics - Centremount Bucket	1602
Digger Hydraulics - Sideshift Attachment	1484	Digger Hydraulics - Centremount Bucket Cylinder - Pacoma	1606
Digger Hydraulics - Sideshift Attachment	1488	Digger Hydraulics - Sideshift Bucket Cylinder - Wipro	1608
Digger Hydraulics - Centremount Bucket	1492	Digger Hydraulics - Centremount Telescopic Dipper	1610
Digger Hydraulics - Centremount Bucket Cylinder - Pacoma	1496	Digger Hydraulics - Centremount Dipper Cylinder - Pacoma	1612
Digger Hydraulics - Sideshift Bucket Cylinder - Wipro	1498	Digger Hydraulics - Sideshift Dipper Cylinder - Wipro	1614
Digger Hydraulics - Centremount Standard Dipper	1500	Digger Hydraulics - Centremount Boom 4.5m	1616
Digger Hydraulics - Centremount Dipper Cylinder - Pacoma	1502	Digger Hydraulics - Centremount Boom Cylinder - Pacoma	1618
Digger Hydraulics - Sideshift Dipper Cylinder - Wipro	1504	Digger Hydraulics - Centremount Boom Cylinder - Wipro	1620
Digger Hydraulics - Centremount Boom 4.5m	1506	Digger Hydraulics - Centremount Swing Components	1622
Digger Hydraulics - Centremount Boom Cylinder - Pacoma	1508	Digger Hydraulics - Centremount Bucket	1624
Digger Hydraulics - Centremount Boom Cylinder - Wipro	1510	Digger Hydraulics - Centremount Bucket Cylinder - Pacoma	1628
Digger Hydraulics - Centremount Swing Components	1512	Digger Hydraulics - Sideshift Bucket Cylinder - Wipro	1630
Digger Hydraulics - Centremount Bucket	1514	Digger Hydraulics - Centremount Standard Dipper	1632
Digger Hydraulics - Centremount Bucket Cylinder - Pacoma	1518	Digger Hydraulics - Centremount Dipper Cylinder - Pacoma	1634
Digger Hydraulics - Sideshift Bucket Cylinder - Wipro	1520	Digger Hydraulics - Sideshift Dipper Cylinder - Wipro	1636
Digger Hydraulics - Centremount Telescopic Dipper	1522	Digger Hydraulics - Centremount Boom	1638
Digger Hydraulics - Centremount Dipper Cylinder - Pacoma	1524	Digger Hydraulics - Centremount Boom Cylinder - Pacoma	1640
Digger Hydraulics - Sideshift Dipper Cylinder - Wipro	1526	Digger Hydraulics - Centremount Boom Cylinder - Wipro	1642
Digger Hydraulics - Centremount Boom 4.5m	1528	Digger Hydraulics - Centremount Swing Components	1644
Digger Hydraulics - Centremount Boom Cylinder - Pacoma	1530	Digger Hydraulics - Centremount Bucket	1646
Digger Hydraulics - Centremount Boom Cylinder - Wipro	1532	Digger Hydraulics - Centremount Bucket Cylinder - Pacoma	1650
Digger Hydraulics - Centremount Swing Components	1534	Digger Hydraulics - Sideshift Bucket Cylinder - Wipro	1652
Digger Hydraulics - Centremount Bucket	1536	Digger Hydraulics - Centremount Telescopic Dipper	1654
Digger Hydraulics - Centremount Bucket Cylinder - Pacoma	1540	Digger Hydraulics - Centremount Dipper Cylinder - Pacoma	1656
Digger Hydraulics - Sideshift Bucket Cylinder - Wipro	1542	Digger Hydraulics - Sideshift Dipper Cylinder - Wipro	1658
Digger Hydraulics - Centremount Standard Dipper	1544	Digger Hydraulics - Centremount Boom	1660
Digger Hydraulics - Centremount Dipper Cylinder - Pacoma	1546	Digger Hydraulics - Centremount Boom Cylinder - Pacoma	1662
Digger Hydraulics - Sideshift Dipper Cylinder - Wipro	1548	Digger Hydraulics - Centremount Boom Cylinder - Wipro	1664
Digger Hydraulics - Centremount Boom	1550	Digger Hydraulics - Centremount Swing Components	1666
Digger Hydraulics - Centremount Boom Cylinder - Pacoma	1552	Digger Controls Standard	1668
Digger Hydraulics - Centremount Boom Cylinder - Wipro	1554	Digger Controls ISO	1670
Digger Hydraulics - Centremount Swing Components	1556	Digger Controls X Pattern	1674
Digger Hydraulics - Centremount Bucket	1558	Digger Controls ISO / Sae	1676
Digger Hydraulics - Centremount Bucket Cylinder - Pacoma	1562	Extendahoe Hydraulics - Sideshift Without Auxiliary Hydraulics	1680
Digger Hydraulics - Sideshift Bucket Cylinder - Wipro	1564	Extendahoe Hydraulics - Sideshift Control Pedal	1682
Digger Hydraulics - Centremount Telescopic Dipper	1566	Extendahoe Hydraulics - Sideshift With Auxiliary Hydraulics	1684
Digger Hydraulics - Centremount Dipper Cylinder - Pacoma	1568	Extendahoe Hydraulics - Sideshift Control Pedal	1686
Digger Hydraulics - Sideshift Dipper Cylinder - Wipro	1570	Extendahoe Hydraulics - Centremount Without Auxiliary Hydraulics	1688
Digger Hydraulics - Centremount Boom	1572	Extendahoe Hydraulics - Centremount Control Pedal	1690
Digger Hydraulics - Centremount Boom Cylinder - Pacoma	1574	Extendahoe Hydraulics - Centremount Without Auxiliary Hydraulics	1692
Digger Hydraulics - Centremount Boom Cylinder - Wipro	1576	Extendahoe Hydraulics - Centremount Control Pedal	1694
Digger Hydraulics - Centremount Swing Components	1578	Extendahoe Hydraulics - Centremount With Auxiliary Hydraulics	1696

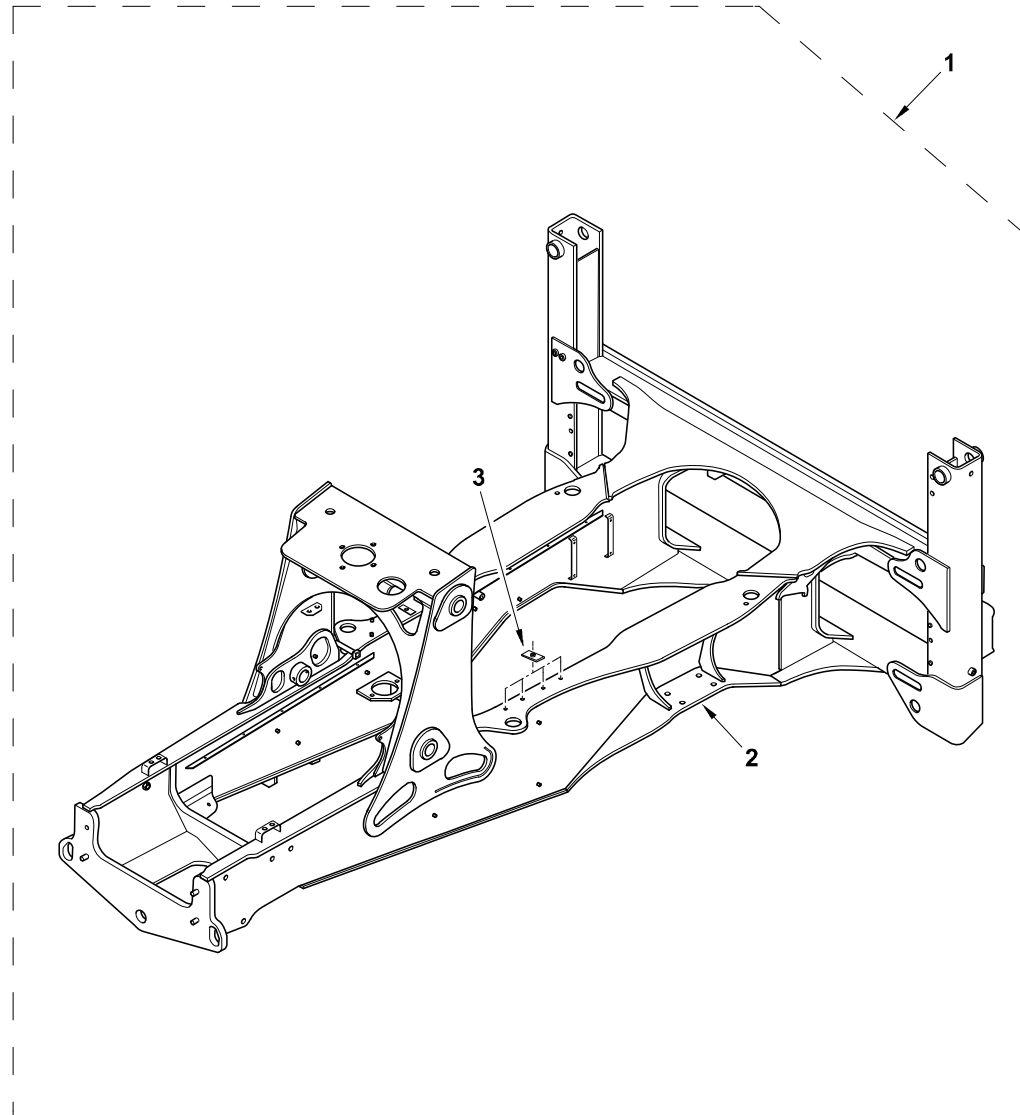
Extendahoe Hydraulics - Centremount Control Pedal	1698	Digger Bucket - Jcb	1826
Extendahoe Hydraulics - Centremount With Auxiliary Hydraulics	1700	Digger Bucket - Jcb	1828
Extendahoe Hydraulics - Centremount Control Pedal	1702	Digger Bucket - Ditch Maintenance Jcb Bucket	1830
Extendahoe Hydraulics Less Control Pedal	1704	Digger Bucket - Ditch Maintenance Jcb Bucket	1832
Extendahoe Hydraulics Control Pedal	1706	Not Serviced	1834
Not Serviced	1708	Rear Fenders 2 Wheel Steer	1836
Stabiliser Controls - Sideshift Digger	1710	Rear Fenders - Sideshift Mudguard	1838
Stabiliser Controls - Sideshift Digger	1714	Rear Fenders 2 Wheel Steer	1840
Stabiliser Controls - Centremount Digger	1716	Rear Fenders 2 Wheel Steer	1842
Stabiliser Controls - Centremount Digger	1720	Rear Fenders 2 Wheel Steer	1844
Stabiliser Controls - Centremount Digger 4 Post ROPS	1722	Rear Fenders - Sideshift Mudguard	1846
Auxiliary Hydraulics - Sideshift Telescopic Dipper	1724	Rear Fenders 4 Post ROPS	1848
Auxiliary Hydraulics - Sideshift Telescopic Dipper	1728	Rear Fenders 4 Post ROPS	1850
Auxiliary Hydraulics - Sideshift Standard Dipper	1734	Rear Fenders 2 Wheel Steer	1854
Auxiliary Hydraulics - Sideshift Standard Dipper	1738	Decals - Warnings General Markets	1856
Auxiliary Hydraulics - Sideshift Control Pedal	1742	Decals - Instructions General Markets	1858
Auxiliary Hydraulics - Centremount Telescopic Dipper - Boom 4.5m	1744	Decals - Miscellaneous General Markets	1860
Auxiliary Hydraulics - Centremount Telescopic Dipper - Boom 4.5m	1746	Decals - Warnings French	1862
Auxiliary Hydraulics - Centremount Telescopic Dipper - Boom 4.9m	1750	Decals - Instructions French	1864
Auxiliary Hydraulics - Centremount Telescopic Dipper - Boom 4.9m	1752	Decals - Miscellaneous French	1866
Auxiliary Hydraulics - Centremount Telescopic Dipper - Boom 4.5m	1756	Decals - Warnings German	1868
Auxiliary Hydraulics - Centremount Telescopic Dipper - Boom 4.5m	1758	Decals - Instructions German	1870
Auxiliary Hydraulics - Centremount Telescopic Dipper - Boom 4.9m	1762	Decals - Miscellaneous German	1872
Auxiliary Hydraulics - Centremount Telescopic Dipper - Boom 4.9m	1764	Decals - Warnings Italian	1874
Auxiliary Hydraulics - Centremount Standard Dipper	1768	Decals - Instructions Italian	1876
Auxiliary Hydraulics - Centremount Standard Dipper	1770	Decals - Miscellaneous Italian	1878
Auxiliary Hydraulics - Centremount Control Pedal	1772	Decals - Warnings	1880
Auxiliary Hydraulics - Centremount Standard Dipper	1774	Decals - Instructions	1882
Auxiliary Hydraulics - Centremount Standard Dipper	1776	Decals - Miscellaneous	1884
Auxiliary Hydraulics - Centremount Control Pedal	1778	Decals - Warnings General Markets	1886
Not Serviced	1780	Decals - Instructions General Markets	1888
Digger Bucket - Standard	1782	Decals - Miscellaneous General Markets	1890
Digger Bucket - Standard	1784	Decals - Warnings Austria	1892
Digger Bucket - Standard	1786	Decals - Instructions Austria	1894
Digger Bucket - Standard	1788	Decals - Miscellaneous Austria	1896
Digger Bucket - Standard 305 Mm	1790	Decals - Warnings	1898
Digger Bucket - Ditch Cleaning	1792	Decals - Instructions	1900
Digger Bucket - Ditch Cleaning	1794	Decals - Miscellaneous	1902
Digger Bucket - Gannon 12 In	1796	Decals - Warnings	1904
Digger Bucket - Gannon 18 In	1798	Decals - Instructions	1906
Digger Bucket - Gannon 24 In	1800	Decals - Miscellaneous	1908
Not Serviced	1802	Decals - Warnings	1910
Digger Bucket - Premium	1804	Decals - Instructions	1912
Digger Bucket - Premium	1806	Decals - Miscellaneous	1914
Digger Bucket - Premium	1808	Decals - Warnings	1916
Digger Bucket - Premium	1810	Decals - Instructions	1918
Digger Bucket - Premium	1812	Decals - Miscellaneous	1920
Digger Bucket - Ditch Maintenance	1814	Decals - Warnings North America	1922
Digger Bucket - Ditch Maintenance	1816	Decals - Instructions North America	1924
Digger Bucket - Ditch Digging	1818	Decals - Miscellaneous North America	1926
Digger Bucket - Jcb	1820	Decals - Warnings General Markets	1928
Digger Bucket - Jcb	1822	Decals - Instructions General Markets	1930
Digger Bucket - Jcb	1824	Decals - Miscellaneous General Markets	1932

Decals - Warnings General Markets	1934	Fuel Strainer Kit	2044
Decals - Instructions General Markets	1936	Not Serviced	2046
Decals - Miscellaneous General Markets	1938	Anti Vandal Kit	2048
Decals - Warnings Costa Rica	1940	Street Pads Kit Sideshift Digger	2050
Decals - Instructions Costa Rica	1942	Service Tool Kit	2052
Decals - Miscellaneous Costa Rica	1944	Rotating Beacon Kit Single	2054
Decals - Warnings Costa Rica	1946	Rotating Beacon Kit Double	2056
Decals - Instructions Costa Rica	1948	Worklight Kit	2058
Decals - Miscellaneous Costa Rica	1950	Seat Armrest Kit	2060
Decals - Warnings	1952	Kit - Headrest	2062
Decals - Instructions	1954	Steering Wheel Spinner Knob Kit	2064
Decals - Miscellaneous	1956	Bucket Blade Kit Narrow	2066
Decals - Warnings	1958	Bucket Blade Kit Wide	2068
Decals - Instructions	1960	Bucket Tooth Kit Loader Bucket, 7-In-1	2070
Decals - Miscellaneous	1962	Hose Burst Kit - Quick Attach Boom Cylinder	2072
Decals - Warnings	1964	Hose Burst Kit - Quick Attach Boom Cylinder	2076
Decals - Instructions	1966	Hose Bust Kit - Less Quick Attach Boom Cylinder	2080
Decals - Miscellaneous	1968	Hose Bust Kit - Less Quick Attach Boom Cylinder	2084
Kit - Forks Loader Bucket	1970	Hose Bust Kit - Less Quick Attach Boom Cylinder	2088
Kit - Forks Loader Bucket	1972	Hose Burst Kit - Quick Attach Boom Cylinder	2090
Kit - Loader Quick Attach Pins	1974	Hose Burst Kit - Quick Attach Boom Cylinder	2094
Kit - Loader Quick Attach Tubes	1976	Hose Bust Kit - Less Quick Attach Boom Cylinder	2098
Kit - Loader Quick Attach	1978	Hose Bust Kit - Less Quick Attach Boom Cylinder	2102
Quick Attach, Loader	1980	Hose Bust Kit - Less Quick Attach Boom Cylinder	2106
Tooth Guard Kit - With Decal Loader Bucket, 7-In-1	1982	Literature Operator Manual - English	2108
Tooth Guard Kit - With Decal Loader Bucket, 7-In-1	1984	Literature Operator Manual - Spanish	2110
Tooth Guard Kit - With Decal Standard Loader Bucket	1986	Literature Operator Manual - French	2112
Tooth Guard Kit - With Decal Standard Loader Bucket	1988	Literature Operator Manual - German	2114
Transport Height Decal Kit	1990	Literature Operator Manual - Danish	2116
Position Indicator - Loader Arm	1992	Rockguard Kit	2118
Headlamp Extension	1994	Spare Wheels - Rear (M07, M10 & M12)	2120
Digger Stabilisers - Safety Kit	1996	Spare Wheels - Rear (M05, M09, M14 & M21)	2122
Transport Lock - Loader	1998	Spare Wheels - Rear (M03 & M13)	2124
Decals - Craning Valve Kit	2000	Spare Wheels - Rear (M01 & M04)	2126
Seat Belt Kit	2002	Spare Wheels - Rear (M20)	2128
Fan Guard Without Air Conditioning	2004	Spare Wheels - Rear (M22)	2130
Fan Guard With Air Conditioning	2006	Spare Wheels - Rear (M07, M10 & M12)	2132
Reverse Alarm	2008	Spare Wheels - Rear (M05, M09, M14 & M21)	2134
Kit - Boom Guard	2010	Spare Wheels - Rear (M03 & M13)	2136
Bucket Pins Kit Single	2012	Spare Wheels - Rear (M01 & M04)	2138
Bucket Pins Kit Double	2014	Spare Wheels - Rear (M20)	2140
Jcb Bucket Pins Kit Single	2016	Spare Wheels - Rear (M22)	2142
Jcb Bucket Pins Kit Double	2018	Spare Wheels - Rear (M23a & M28a)	2144
Bucket Pins Kit Loader	2020	Spare Wheels - Rear (M23a & M28a)	2146
Not Serviced	2022	Spare Wheels - Rear (M24a)	2148
Not Serviced	2024	Spare Wheels - Rear (M24a)	2150
Digger Craning Eye Kit Sideshift Digger	2026	Spare Wheels - Rear (M25a & M29a)	2152
Digger Craning Eye Kit Centre Mounted Digger	2028	Spare Wheels - Rear (M25a & M29a)	2154
Digger Craning Eye Kit Sideshift Digger	2030	Stepguards	2156
Digger Craning Eye Kit Centre Mounted Digger	2032	Spare Wheel - Front - White	2158
Craning Valve Kit Cab	2034	Spare Wheel - Front - Yellow	2160
Craning Valve Kit 4 Post ROPS	2038	Spare Wheel - Front - White	2162
Front Counterweight Kit	2042	Spare Wheel - Front - Yellow	2164

Spare Wheel - Front - White	2166	Quick Attach, Digger - Abiljo	2276
Spare Wheel - Front - Yellow	2168	Not Serviced	2278
Bucket Pins Kit Case Bucket	2170	Quick Attach, Digger - Sideshift Standard Dipper	2280
Street Pads Kit Sideshift Digger	2172	Quick Attach, Digger - Sideshift Solenoid Valve	2282
Service Kit - Tier 3 Engine Upgrade	2174	Quick Attach, Digger - Sideshift Standard Dipper	2284
Quick Attach, Digger - Sideshift Standard Dipper	2180	Quick Attach, Digger - Sideshift Quick Coupler	2286
Quick Attach, Digger - Sideshift Standard Dipper	2182	Quick Attach, Digger - Sideshift Telescopic Dipper	2288
Quick Attach, Digger - Sideshift Solenoid Valve	2184	Quick Attach, Digger - Sideshift Telescopic Dipper	2290
Quick Attach, Digger - Sideshift Quick Coupler	2186	Quick Attach, Digger - Sideshift Solenoid Valve	2292
Quick Attach, Digger - Sideshift Standard Dipper	2188	Quick Attach, Digger - Sideshift Quick Coupler	2294
Quick Attach, Digger - Sideshift Standard Dipper	2190	Quick Attach, Digger - Centremount Standard Dipper - Boom 4.5m	2296
Quick Attach, Digger - Sideshift Solenoid Valve	2192	Quick Attach, Digger - Centremount Standard Dipper - Boom 4.5m	2298
Quick Attach, Digger - Sideshift Telescopic Dipper	2194	Quick Attach, Digger - Centremount Solenoid Valve	2300
Quick Attach, Digger - Sideshift Telescopic Dipper - Boom 4.5m	2196	Quick Attach, Digger - Centremount Quick Coupler	2302
Quick Attach, Digger - Sideshift Solenoid Valve	2198	Quick Attach, Digger - Centremount Standard Dipper - Boom 4.9m	2304
Quick Attach, Digger - Sideshift Quick Coupler	2200	Quick Attach, Digger - Centremount Standard Dipper - Boom 4.9m	2306
Quick Attach, Digger - Sideshift Telescopic Dipper	2202	Quick Attach, Digger - Centremount Solenoid Valve	2308
Quick Attach, Digger - Sideshift Telescopic Dipper - Boom 4.5m	2204	Quick Attach, Digger - Centremount Quick Coupler	2310
Quick Attach, Digger - Sideshift Solenoid Valve	2206	Quick Attach, Digger - Centremount Telescopic Dipper - Boom 4.5m	2312
Quick Attach, Digger - Centremount Standard Dipper - Boom 4.5m	2208	Quick Attach, Digger - Centremount Telescopic Dipper - Boom 4.5m	2314
Quick Attach, Digger - Centremount Standard Dipper - Boom 4.5m	2210	Quick Attach, Digger - Centremount Solenoid Valve	2316
Quick Attach, Digger - Centremount Solenoid Valve	2212	Quick Attach, Digger - Centremount Quick Coupler	2318
Quick Attach, Digger - Centremount Quick Coupler	2214	Quick Attach, Digger - Centremount Telescopic Dipper - Boom 4.9m	2320
Quick Attach, Digger - Centremount Standard Dipper - Boom 4.9m	2216	Quick Attach, Digger - Centremount Telescopic Dipper - Boom 4.9m	2322
Quick Attach, Digger - Centremount Standard Dipper - Boom 4.9m	2218	Quick Attach, Digger - Centremount Solenoid Valve	2324
Quick Attach, Digger - Centremount Solenoid Valve	2220	Quick Attach, Digger - Centremount Quick Coupler	2326
Quick Attach, Digger - Centremount Quick Coupler	2222	Quick Attach, Digger - Sideshift Standard Dipper - Less Q/A	2328
Quick Attach, Digger - Centremount Telescopic Dipper - Boom 4.5m	2224	Quick Attach, Digger - Sideshift Standard Dipper - Less Q/A	2330
Quick Attach, Digger - Centremount Telescopic Dipper - Boom 4.5m	2226	Quick Attach, Digger - Sideshift Solenoid Valve	2332
Quick Attach, Digger - Centremount Solenoid Valve	2228	Quick Attach, Digger - Sideshift Telescopic Dipper - Less Q/A	2334
Quick Attach, Digger - Centremount Quick Coupler	2230	Quick Attach, Digger - Sideshift Telescopic Dipper - Less Q/A	2336
Quick Attach, Digger - Centremount Telescopic Dipper - Boom 4.9m	2232	Quick Attach, Digger - Sideshift Solenoid Valve	2338
Quick Attach, Digger - Centremount Telescopic Dipper - Boom 4.9m	2234	Quick Attach, Digger - Centremount Standard Dipper - Boom 4.5m - Less Q/A	2340
Quick Attach, Digger - Centremount Solenoid Valve	2236	Quick Attach, Digger - Centremount Standard Dipper - Boom 4.5m - Less Q/A	2342
Quick Attach, Digger - Centremount Quick Coupler	2238	Quick Attach, Digger - Centremount Solenoid Valve	2344
Quick Attach, Digger - Sideshift Standard Dipper	2240	Quick Attach, Digger - Centremount Standard Dipper - Boom 4.9m - Less Q/A	2346
Quick Attach, Digger - Sideshift Standard Dipper	2242	Quick Attach, Digger - Centremount Standard Dipper - Boom 4.9m - Less Q/A	2348
Quick Attach, Digger - Sideshift Solenoid Valve	2244	Quick Attach, Digger - Centremount Solenoid Valve	2350
Quick Attach, Digger - Sideshift Telescopic Dipper	2246	Quick Attach, Digger - Centremount Telescopic Dipper - Boom 4.5m - Less Q/A	2352
Quick Attach, Digger - Sideshift Telescopic Dipper - Boom 4.5m	2248	Quick Attach, Digger - Centremount Telescopic Dipper - Boom 4.5m - Less Q/A	2354
Quick Attach, Digger - Sideshift Solenoid Valve	2250	Quick Attach, Digger - Centremount Solenoid Valve	2356
Quick Attach, Digger - Centremount Standard Dipper	2252	Quick Attach, Digger - Centremount Telescopic Dipper - Boom 4.9m - Less Q/A	2358
Quick Attach, Digger - Centremount Standard Dipper	2254	Quick Attach, Digger - Centremount Telescopic Dipper - Boom 4.9m - Less Q/A	2360
Quick Attach, Digger - Centremount Solenoid Valve	2256	Quick Attach, Digger - Centremount Solenoid Valve	2362
Quick Attach, Digger - Centremount Standard Dipper	2258	Quick Attach - Miller Mechanical	2364
Quick Attach, Digger - Centremount Standard Dipper	2260		
Quick Attach, Digger - Centremount Solenoid Valve	2262		
Quick Attach, Digger - Centremount Telescopic Dipper	2264		
Quick Attach, Digger - Centremount Telescopic Dipper	2266		
Quick Attach, Digger - Centremount Solenoid Valve	2268		
Quick Attach, Digger - Centremount Telescopic Dipper	2270		
Quick Attach, Digger - Centremount Telescopic Dipper	2272		
Quick Attach, Digger - Centremount Solenoid Valve	2274		

THIS PAGE INTENTIONALLY LEFT BLANK

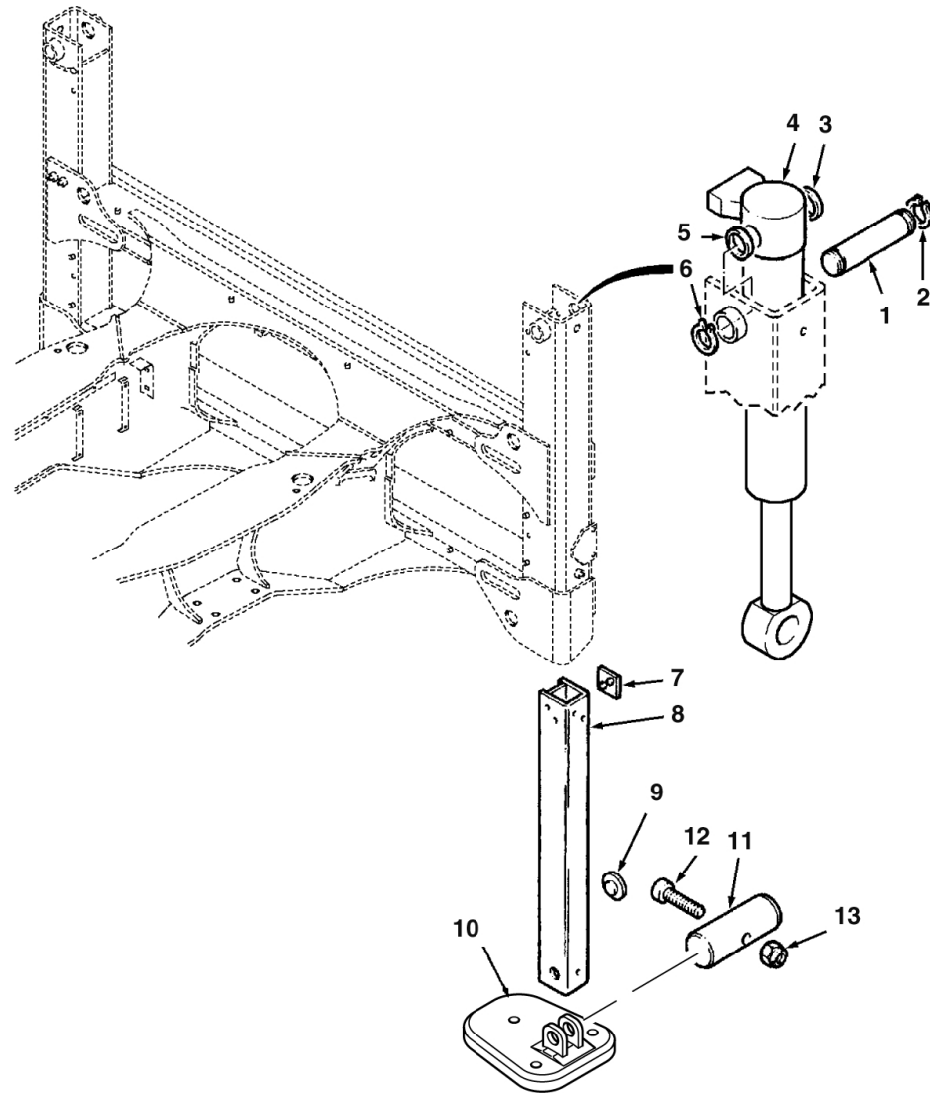
C-10010-01.1-B



Item	Part No.	Qty.	English	French	German	Spanish	Remarks
1	6112048M91	1	Chassis Complete 2ws Short Ss	Chassis	Fahrgestell	Chasis	
2	#CHASSIS	1	Chassis	Chassis	Chassis	Chassis	Ref. 1
3	1470375M1	6	Threaded Mount Plate	Support De Fixation	Befestigung	Soporte De Fijación	

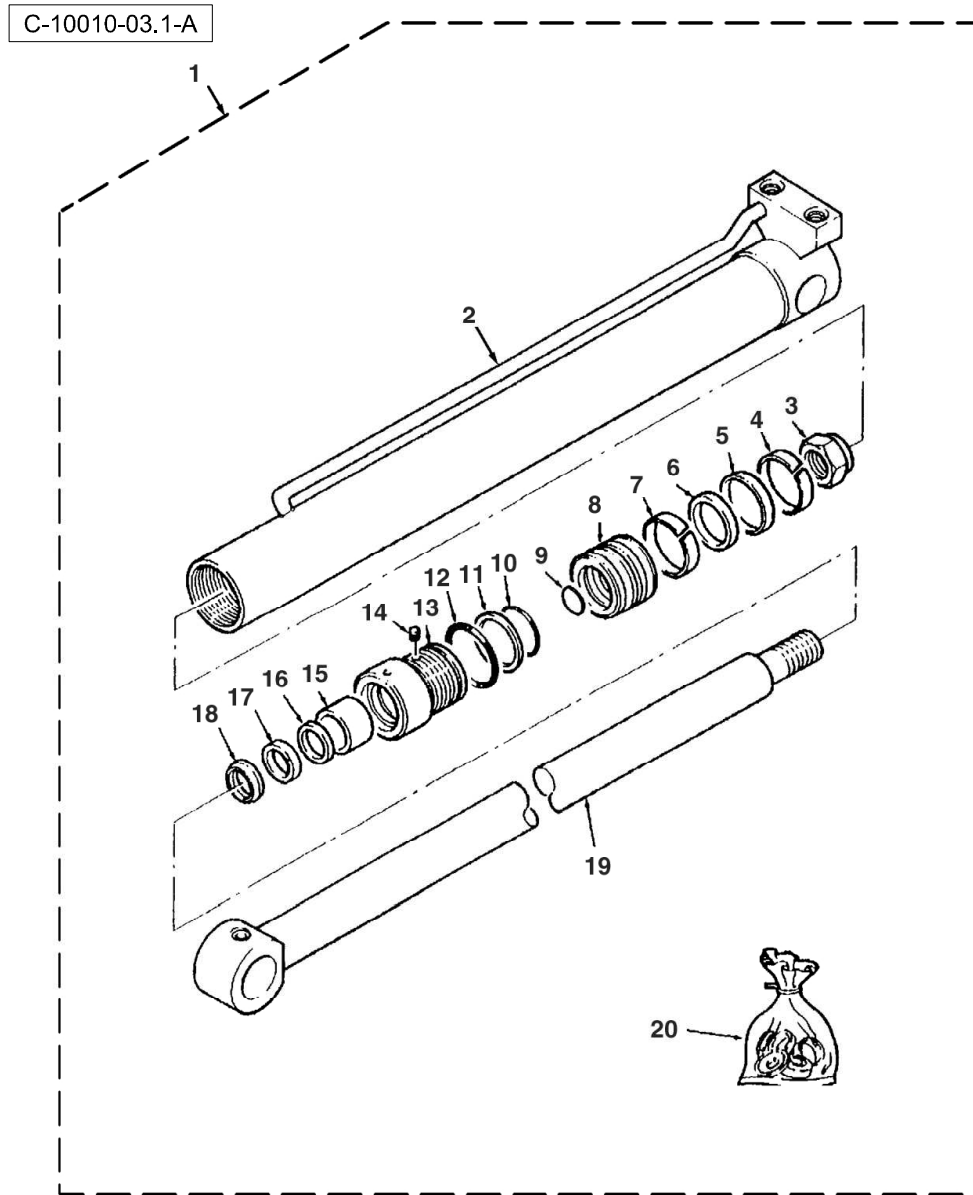


C-10010-02.1-A



Item	Part No.	Qty.	English	French	German	Spanish	Remarks
1	3521289M3	2	Pin Stabiliser Cyl.	Axe	Bolzen	Pasador	
2	1440478X1	2	Circlip 45mm	Segment D´Arrêt	Sicherungsring	Anillo De Resorte	
3	3521279M2	2	Spacer	Entretoise	Distanzstück	Traviesa	
4	#CYLINDER ASSY	2	Cylinder Assy	Cylinder Assy	Cylinder Assy	Cylinder Assy	10010c03.1 1 10010c03.2 1
5	3521279M2	2	Spacer	Entretoise	Distanzstück	Traviesa	
6	1440478X1	2	Circlip 45mm	Segment D´Arrêt	Sicherungsring	Anillo De Resorte	
7	3518965M1	0	Wear Pad Natural-6.0mm	Patin D¿Usure	Verschleißkissen	Patín De Desgaste	
7	6108417M1	0	Wear Pad-Sq're Green 3.60/3.40	Patin D¿Usure	Verschleißkissen	Patín De Desgaste	
7	6108416M1	0	Wear Pad-Sq're Blue 4.00/3.80	Patin D¿Usure	Verschleißkissen	Patín De Desgaste	
7	3521199M3	0	Pad Square Blac 5.0/4.75	Patin D¿Usure	Verschleißkissen	Patín De Desgaste	
7	3518936M1	0	Pad Wear Red 6.5/6.25	Patin D¿Usure	Verschleißkissen	Patín De Desgaste	
7	3517077M1	0	Pad Sq Grey 5.5/5.25	Patin D¿Usure	Verschleißkissen	Patín De Desgaste	
7	3516684M2	0	Pad Square Yell 4.5/4.25	Patin D¿Usure	Verschleißkissen	Patín De Desgaste	
8	6108420M91	2	Stabiliser Leg Assy Inner S/S	Tige	Schaft	Varilla	
9	3519712M1	0	Pad Round Yell 4.5/4.25	Patin D¿Usure	Verschleißkissen	Patín De Desgaste	
9	3519713M1	0	Pad Round Blac 5.0/4.75	Patin D¿Usure	Verschleißkissen	Patín De Desgaste	
9	3519714M1	0	Pad Round Grey 5.5/5.25	Patin D¿Usure	Verschleißkissen	Patín De Desgaste	
9	3519715M1	0	Pad Round Natl 6.0/5.75	Patin D¿Usure	Verschleißkissen	Patín De Desgaste	
9	3519716M1	0	Pad Round Red 6.5/6.25	Patin D¿Usure	Verschleißkissen	Patín De Desgaste	
9	6108418M1	0	Wear Pad-Round Blue 4.00/3.80	Patin D¿Usure	Verschleißkissen	Patín De Desgaste	
9	6108419M1	0	Wear Pad-Round Green 3.60/3.40	Patin D¿Usure	Verschleißkissen	Patín De Desgaste	
10	6112386M1	2	Stabiliser Foot - Sideshift	Pied	Fuß	Pie	Feb 2008
10	6102864M1	2	Foot Stabiliser S/S	Pied	Fuß	Pie	Feb 2008
11	3522879M2	2	Pin Stabiliser Foot S/S	Axe	Bolzen	Pasador	
12	1442169X1	2	Cap Screw Soc.Hd.M10 X 90	Vis A Tete Six Pans	Zylinderschraube	Tornillo	
13	1440329X1	2	Nut, Hex. - Nyloc, M10	Ecrou Blocage	Flachmutter M10	Tuerca De Retención	

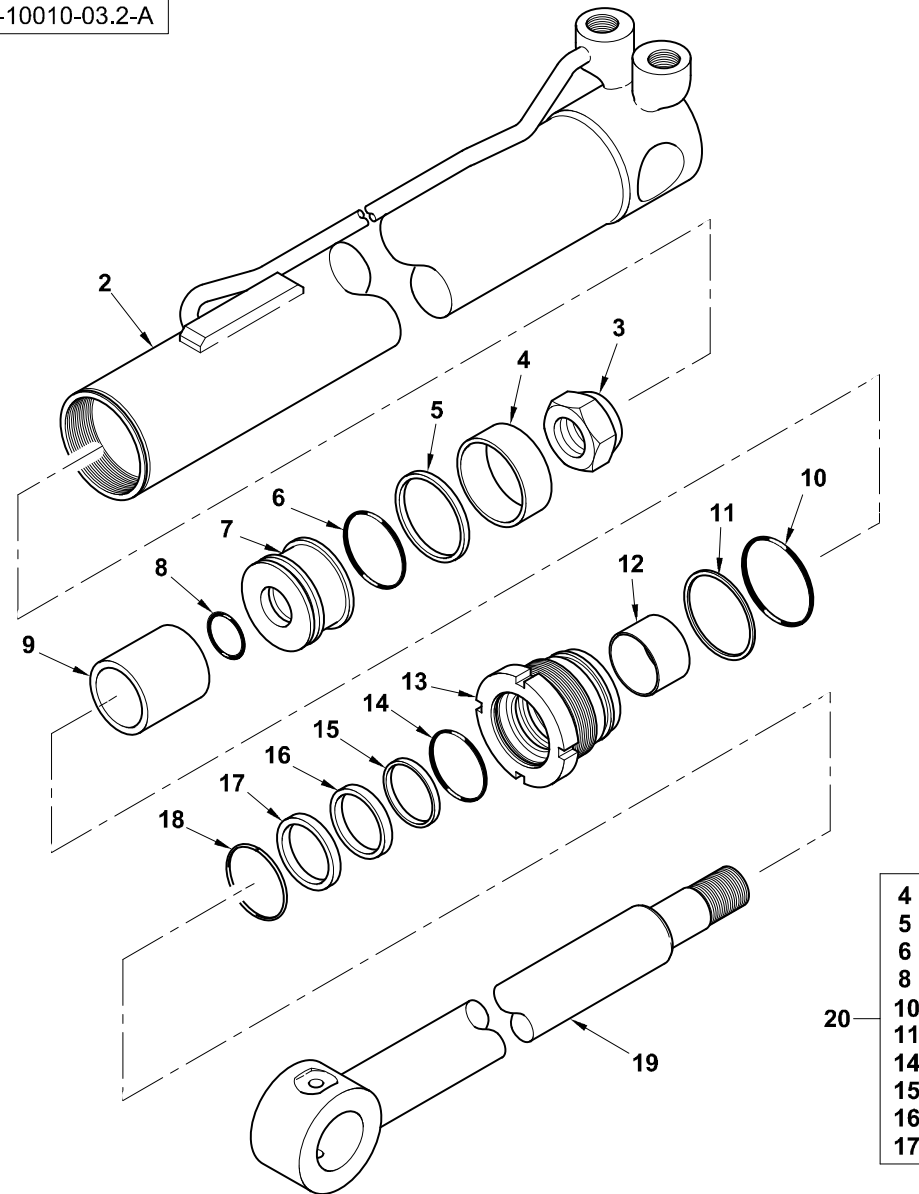




Item	Part No.	Qty.	English	French	German	Spanish	Remarks
1	3622129M94GY02	2	Cylinder Stab Ss Only (Benford Grey)	L´Hie Hydraulique	Zylinder Hydr.	Gato, Conj.	Tba [10010c02.1 4]
2	3623297M92	1	Barrel Assy	Cylindre De Vérin	Zylinderrohr	Cilindro De Gato	
3	1607690M1	1	Lock Nut M30	Ecrou Frein	Kontermutter	Tuerca	
4	3487067M1	1	Piston Guide Ring 70*10*2	Bague D`Étanchéité	Dichtungsring	Anillo, Estanqueidad	
5	3485241M1	1	Wear Ring Piston	Anneau	Ring	Aro	
6	3485254M1	1	Ring Pressure	Anneau	Ring	Aro	
7	3487067M1	1	Piston Guide Ring 70*10*2	Bague D`Étanchéité	Dichtungsring	Anillo, Estanqueidad	
8	3623299M1	1	Piston	Piston	Kolben	Pistón De Gato	
9	359181X1	1	O-Ring (44.04 Mm Nominal I/D) Shore A90	Joint Torique	O - Ring	Junta De Tipo O	
10	359187X1	1	O-Ring-63,09*3,53	Joint Torique	O Ring	Junta De Tipo O	
11	1884170M1	1	Backring-64.06*3*02	Contre-Joint	Stützring	ContraJunta	
12	3487205M1	1	O Ring, Hydr. Cylinder	Joint Torique	O Ring	Junta De Tipo O	
13	3623298M1	1	Bearing Cylinder	Roulement	Lager	Palier De Gato	
14	3443386M1	1	Retaining Plug	Bouchon	Stopfen	Tapón	
15	3491486M1	1	Bush, Piston Rod/Gland	Douille	Büchse	Anillo	
16	3443341M1	1	Ring Buffer	Bague D`Étanchéité	Dichtungsring	Anillo, Estanqueidad	
17	1606464M1	1	Seal	Joint D´Arbre	Wellendichtring	Junta	
18	1606575M1	1	Wiper Ring	Anneau	Ring	Junta Raspador	
19	3441606M91	1	Piston Rod Assy	Tige De Vérin	Kolbenstange	Vástago Cilindro	
20	3623300M91	1	Kit Seal	Jeu Étanchéité	Dichtringsatz	Juego De Juntas	



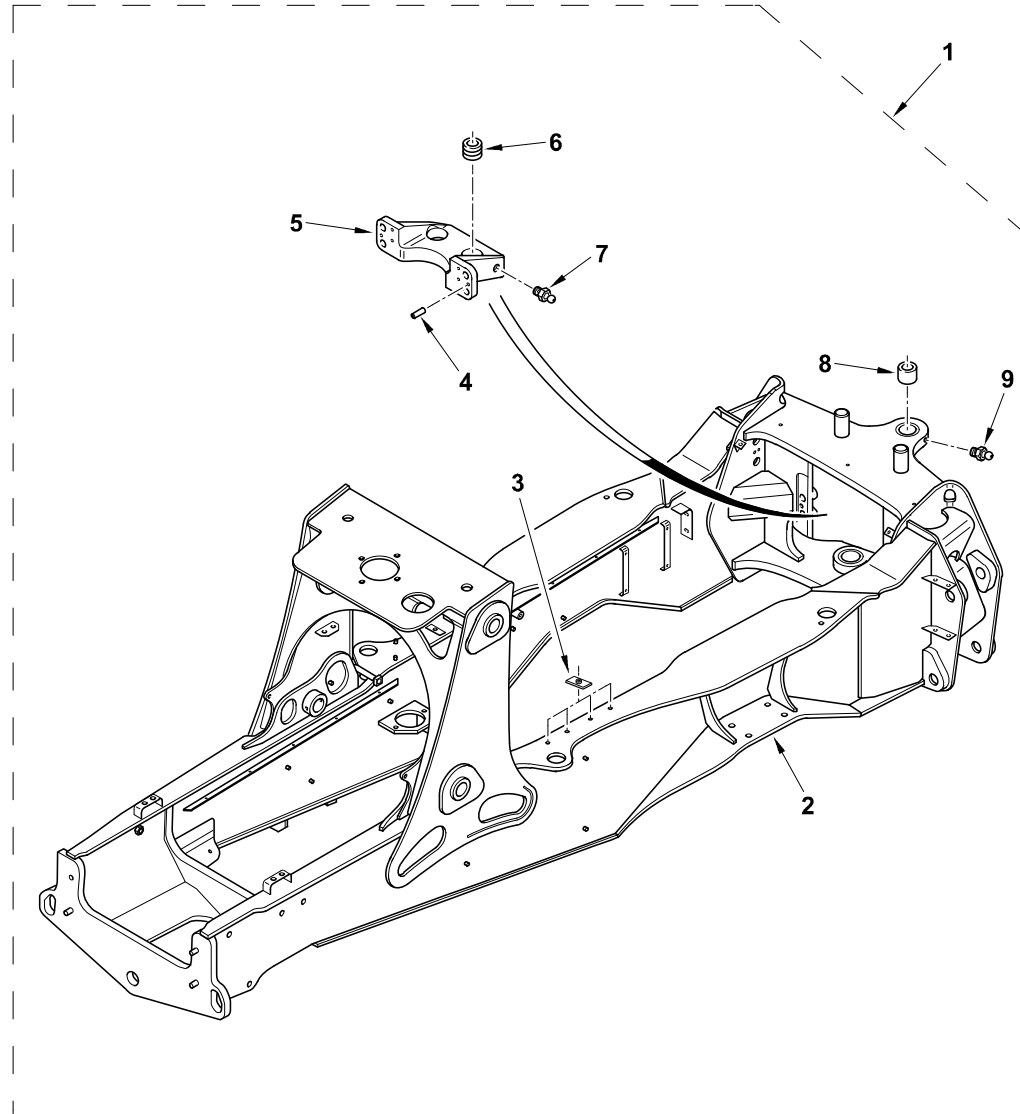
C-10010-03.2-A



Item	Part No.	Qty.	English	French	German	Spanish	Remarks
1	6111068M91GY03	2	Cylinder Stabiliser S/S	Cylindre	Zylinder	Gato, Conj.	Tba [10010c02.1 4]
2	6194596M91	1	Barrel - Cylinder	Corps Cylindre	Zylindergehause	Tubo	
3	6194600M1	1	Nut - Nyloc	Ecrou Blocage	Flachmutter	Tuerca	
4	6194606M1	1	Bearing - Piston	Coussinet	Lager	Teniendo - Pistón	
5	6194604M1	1	Seal - Piston	Joint Étanchéité	Dichtring	Junta	
6	6194605M1	1	O Ring (Std)	Joint Torique	O Ring	Junta De Tipo O	
7	6194598M1	1	Piston	Piston	Kolben	Pistón	
8	6194607M1	1	O Ring (Std)	Joint Torique	O Ring	Junta De Tipo O	
9	6194601M1	1	Stop Tube	Tube Butee	Rohr Anschlag	Pare - Tubo	
10	6194613M1	1	Ring - Back Up	Contre Bague	Stutzring	ContraJunta	
11	6194612M1	1	O Ring (Std)	Joint Torique	O Ring	Junta De Tipo O	
12	6194602M1	1	Bush - Bimetal	Douille	Büchse	Juego De Anillos	
13	6194599M1	1	End Cover - Head	Couvercle	Deckel	Tapa	
14	6194609M1	1	O Ring (Std)	Joint Torique	O Ring	Junta De Tipo O	
15	6194608M1	1	Seal - Rod (Primary)	Joint Étanchéité	Dichtring	Junta	
16	6194610M1	1	Seal- Rod (Secondary)	Joint Étanchéité	Dichtring	Junta	
17	6194611M1	1	Wiper	Essuyeur	Wischer	Raspador, Escobilla	
18	6194603M1	1	Ring - Snap	Fermeoir	Sprengring	Anillo De Resorte	
19	6194597M91	1	Rod - Piston	Bielle De Piston	Pleuelstange	Rod - Pistón	
20	6194614M91	0	Seal Kit	Jeu Etancheite	Dichtringsatz	Juego De Juntas	



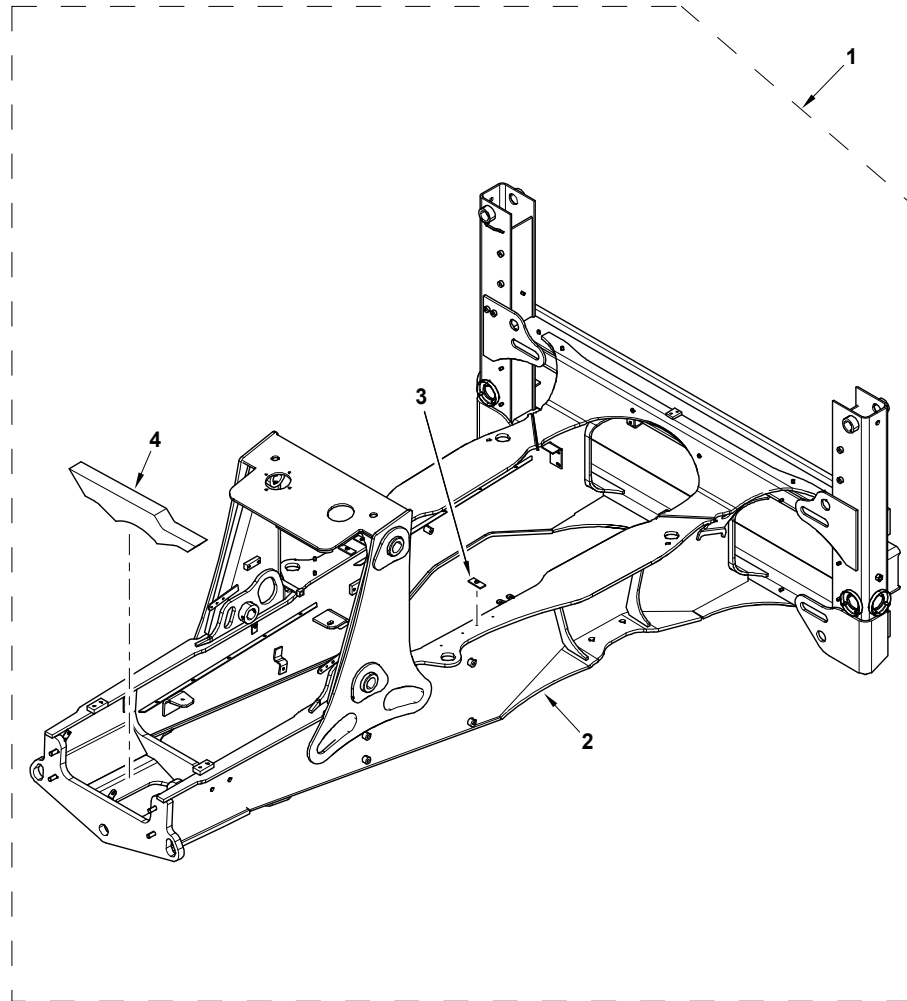
C-10013-01.1-B



Item	Part No.	Qty.	English	French	German	Spanish	Remarks
1	6110037M93	1	Chassis - Centremount (W/Assy) Short	Châssis	Fahrgestell	Chasis	
2	#CHASSIS	1	Chassis	Chassis	Chassis	Chassis	Ref. 1
3	1470375M1	6	Threaded Mount Plate	Support De Fixation	Befestigung	Soporte De Fijación	
4	3522954M1	2	Dowel 12 X 55	Goupille Position.	Passstift	Peón	
5	#MOUNT	1	Mount	Mount	Mount	Mount	Ref. 1
6	3521388M5	4	Bush, Lower - Mast/Pivot	Douille	Buechse	Anillo	
7	339608X1	3	Grease Nipple - M10 X 1 (Zinc)	Nipple De Graissage	Schmiernippel	Engrasador	
8	3517246M2	2	Bush, Digger Pivot - Centremount	Douille	Büchse	Anillo	
9	339608X1	3	Grease Nipple - M10 X 1 (Zinc)	Nipple De Graissage	Schmiernippel	Engrasador	



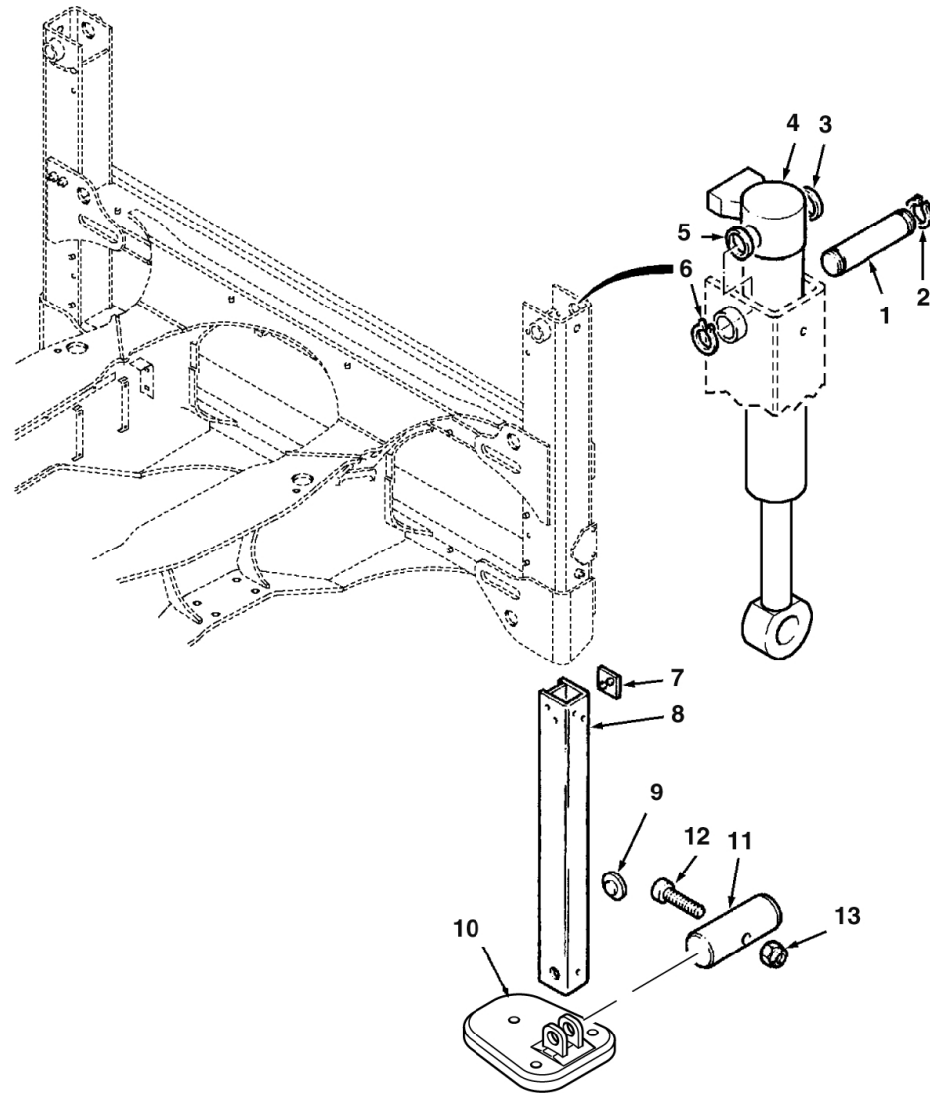
C-10019-01.1-B



Item	Part No.	Qty.	English	French	German	Spanish	Remarks
1	6112381M91	1	Chassis Complete 2ws Short Ss	Chassis	Fahrgestell	Chasis	
2	#CHASSIS	1	Chassis	Chassis	Chassis	Chassis	Ref. 1
3	1470375M1	6	Threaded Mount Plate	Support De Fixation	Befestigung	Soporte De Fijación	
4	6112725M1	1	Seal - Cooling Pack - Short Drop Chassis	Joint	Dichtung	Junta	Tier 3 Only

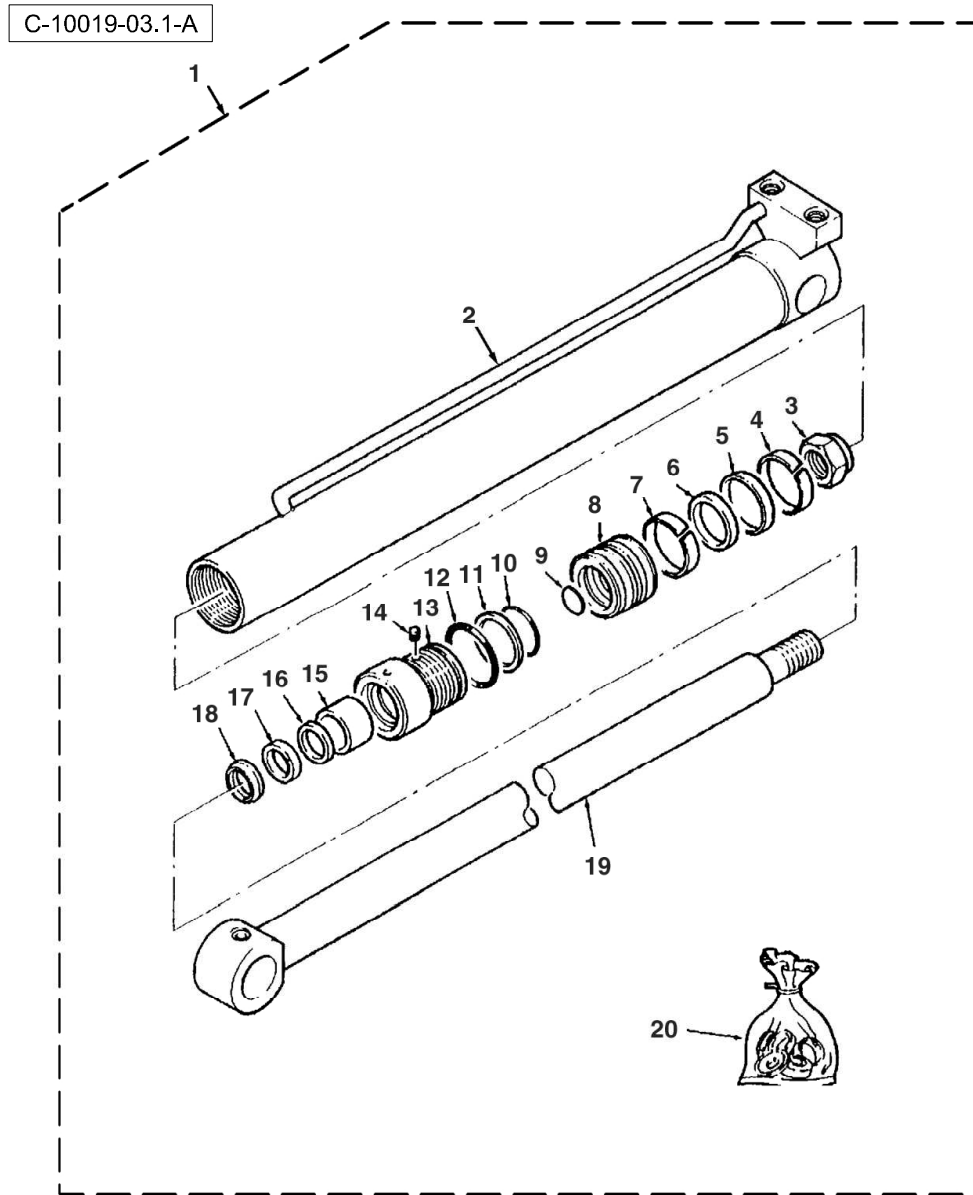


C-10019-02.1-A



Item	Part No.	Qty.	English	French	German	Spanish	Remarks
1	3521289M3	2	Pin Stabiliser Cyl.	Axe	Bolzen	Pasador	
2	1440478X1	2	Circlip 45mm	Segment D´Arrêt	Sicherungsring	Anillo De Resorte	
3	3521279M2	2	Spacer	Entretoise	Distanzstück	Traviesa	
4	#CYLINDER ASSY	2	Cylinder Assy	Cylinder Assy	Cylinder Assy	Cylinder Assy	10019c03.1 1 10019c03.2 1
5	3521279M2	2	Spacer	Entretoise	Distanzstück	Traviesa	
6	1440478X1	2	Circlip 45mm	Segment D´Arrêt	Sicherungsring	Anillo De Resorte	
7	3518936M1	0	Pad Wear Red 6.5/6.25	Patin D¿Usure	Verschleißkissen	Patín De Desgaste	
7	3518965M1	0	Wear Pad Natural-6.0mm	Patin D¿Usure	Verschleißkissen	Patín De Desgaste	
7	3517077M1	0	Pad Sq Grey 5.5/5.25	Patin D¿Usure	Verschleißkissen	Patín De Desgaste	
7	6108416M1	0	Wear Pad-Sq're Blue 4.00/3.80	Patin D¿Usure	Verschleißkissen	Patín De Desgaste	
7	6108417M1	0	Wear Pad-Sq're Green 3.60/3.40	Patin D¿Usure	Verschleißkissen	Patín De Desgaste	
7	3521199M3	0	Pad Square Blac 5.0/4.75	Patin D¿Usure	Verschleißkissen	Patín De Desgaste	
7	3516684M2	0	Pad Square Yell 4.5/4.25	Patin D¿Usure	Verschleißkissen	Patín De Desgaste	
8	6108420M91	2	Stabiliser Leg Assy Inner S/S	Tige	Schaft	Varilla	
9	3519716M1	0	Pad Round Red 6.5/6.25	Patin D¿Usure	Verschleißkissen	Patín De Desgaste	
9	3519714M1	0	Pad Round Grey 5.5/5.25	Patin D¿Usure	Verschleißkissen	Patín De Desgaste	
9	3519713M1	0	Pad Round Blac 5.0/4.75	Patin D¿Usure	Verschleißkissen	Patín De Desgaste	
9	3519712M1	0	Pad Round Yell 4.5/4.25	Patin D¿Usure	Verschleißkissen	Patín De Desgaste	
9	3519715M1	0	Pad Round Natl 6.0/5.75	Patin D¿Usure	Verschleißkissen	Patín De Desgaste	
9	6108419M1	0	Wear Pad-Round Green 3.60/3.40	Patin D¿Usure	Verschleißkissen	Patín De Desgaste	
9	6108418M1	0	Wear Pad-Round Blue 4.00/3.80	Patin D¿Usure	Verschleißkissen	Patín De Desgaste	
10	6102864M1	2	Foot Stabiliser S/S	Pied	Fuß	Pie	Feb 2008
10	6112386M1	2	Stabiliser Foot - Sideshift	Pied	Fuß	Pie	Feb 2008
11	3522879M2	2	Pin Stabiliser Foot S/S	Axe	Bolzen	Pasador	
12	1442169X1	2	Cap Screw Soc.Hd.M10 X 90	Vis A Tete Six Pans	Zylinderschraube	Tornillo	
13	1440329X1	2	Nut, Hex. - Nyloc, M10	Ecrou Blocage	Flachmutter M10	Tuerca De Retención	

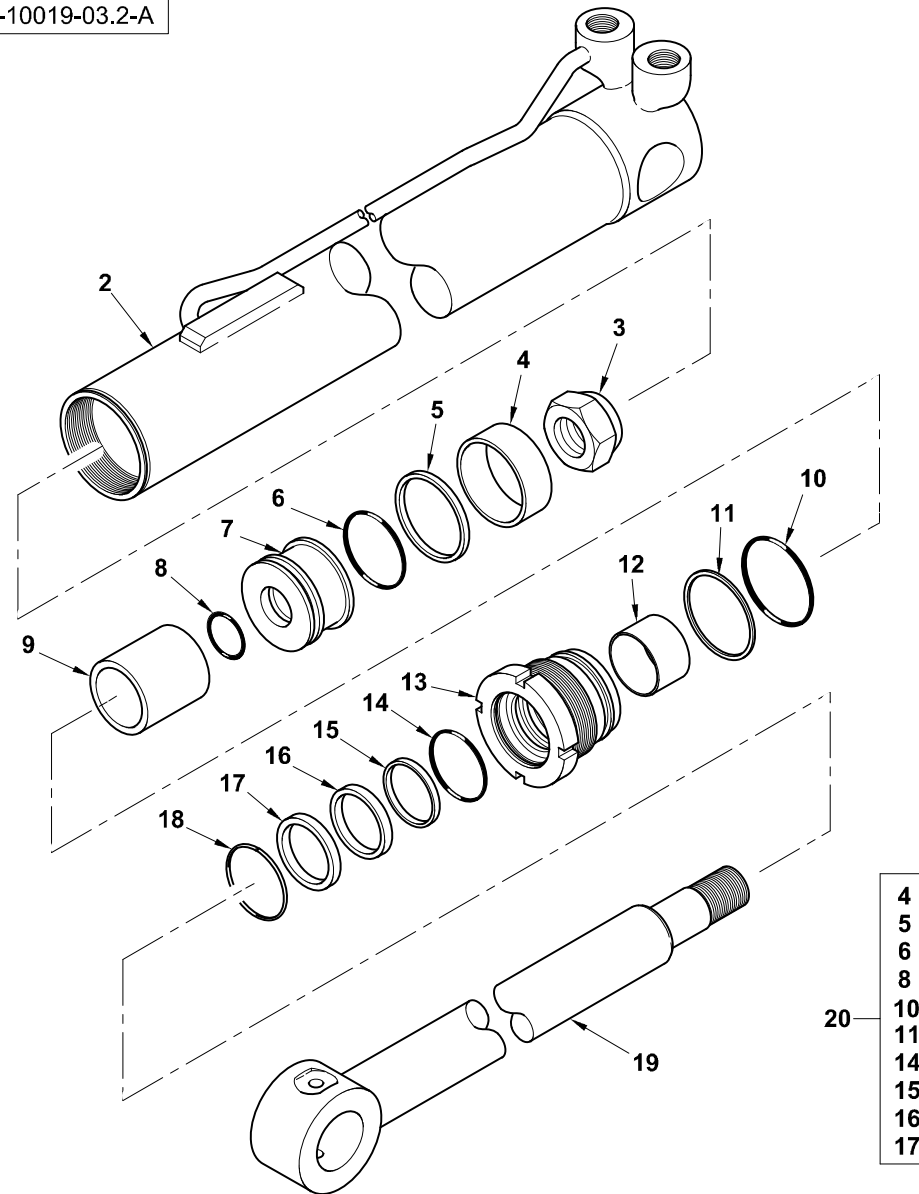




Item	Part No.	Qty.	English	French	German	Spanish	Remarks
1	3622129M94GY02	2	Cylinder Stab Ss Only (Benford Grey)	L 'Hie Hydraulique	Zylinder Hydr.	Gato, Conj.	Tba [10019c02.1 4]
2	3623297M92	1	Barrel Assy	Cylindre De Vérin	Zylinderrohr	Cilindro De Gato	
3	1607690M1	1	Lock Nut M30	Ecrou Frein	Kontermutter	Tuerca	
4	3487067M1	1	Piston Guide Ring 70*10*2	Bague D'Étanchéité	Dichtungsring	Anillo, Estanqueidad	
5	3485241M1	1	Wear Ring Piston	Anneau	Ring	Aro	
6	3485254M1	1	Ring Pressure	Anneau	Ring	Aro	
7	3487067M1	1	Piston Guide Ring 70*10*2	Bague D'Étanchéité	Dichtungsring	Anillo, Estanqueidad	
8	3623299M1	1	Piston	Piston	Kolben	Pistón De Gato	
9	359181X1	1	O-Ring (44.04 Mm Nominal I/D) Shore A90	Joint Torique	O - Ring	Junta De Tipo O	
10	359187X1	1	O-Ring-63,09*3,53	Joint Torique	O Ring	Junta De Tipo O	
11	1884170M1	1	Backring-64.06*3*02	Contre-Joint	Stützring	ContraJunta	
12	3487205M1	1	O Ring, Hydr. Cylinder	Joint Torique	O Ring	Junta De Tipo O	
13	3623298M1	1	Bearing Cylinder	Roulement	Lager	Palier De Gato	
14	3443386M1	1	Retaining Plug	Bouchon	Stopfen	Tapón	
15	3491486M1	1	Bush, Piston Rod/Gland	Douille	Büchse	Anillo	
16	3443341M1	1	Ring Buffer	Bague D'Étanchéité	Dichtungsring	Anillo, Estanqueidad	
17	1606464M1	1	Seal	Joint D 'Arbre	Wellendichtring	Junta	
18	1606575M1	1	Wiper Ring	Anneau	Ring	Junta Raspador	
19	3441606M91	1	Piston Rod Assy	Tige De Vérin	Kolbenstange	Vástago Cilindro	
20	3623300M91	1	Kit Seal	Jeu Étanchéité	Dichtringsatz	Juego De Juntas	



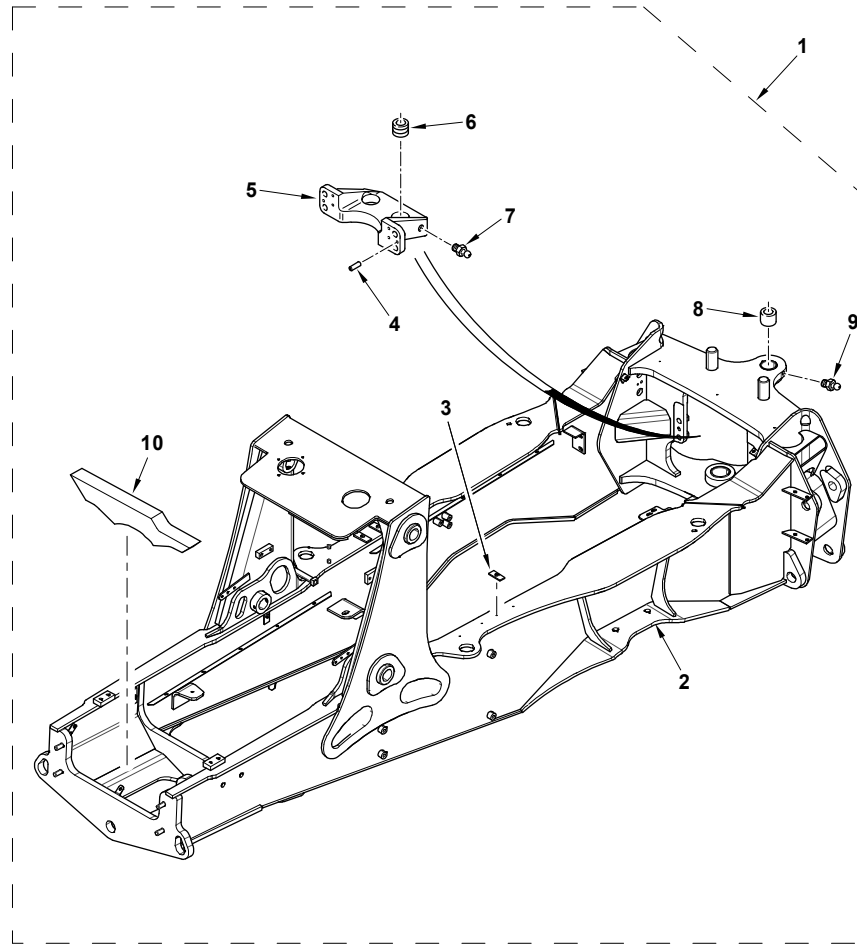
C-10019-03.2-A



Item	Part No.	Qty.	English	French	German	Spanish	Remarks
1	6111068M91GY03	2	Cylinder Stabiliser S/S	Cylindre	Zylinder	Gato, Conj.	Tba [10019c02.1 4]
2	6194596M91	1	Barrel - Cylinder	Corps Cylindre	Zylindergehause	Tubo	
3	6194600M1	1	Nut - Nyloc	Ecrou Blocage	Flachmutter	Tuerca	
4	6194606M1	1	Bearing - Piston	Coussinet	Lager	Teniendo - Pistón	
5	6194604M1	1	Seal - Piston	Joint Étanchéité	Dichtring	Junta	
6	6194605M1	1	O Ring (Std)	Joint Torique	O Ring	Junta De Tipo O	
7	6194598M1	1	Piston	Piston	Kolben	Pistón	
8	6194607M1	1	O Ring (Std)	Joint Torique	O Ring	Junta De Tipo O	
9	6194601M1	1	Stop Tube	Tube Butee	Rohr Anschlag	Pare - Tubo	
10	6194613M1	1	Ring - Back Up	Contre Bague	Stutzring	ContraJunta	
11	6194612M1	1	O Ring (Std)	Joint Torique	O Ring	Junta De Tipo O	
12	6194602M1	1	Bush - Bimetal	Douille	Büchse	Juego De Anillos	
13	6194599M1	1	End Cover - Head	Couvercle	Deckel	Tapa	
14	6194609M1	1	O Ring (Std)	Joint Torique	O Ring	Junta De Tipo O	
15	6194608M1	1	Seal - Rod (Primary)	Joint Étanchéité	Dichtring	Junta	
16	6194610M1	1	Seal- Rod (Secondary)	Joint Étanchéité	Dichtring	Junta	
17	6194611M1	1	Wiper	Essuyeur	Wischer	Raspador, Escobilla	
18	6194603M1	1	Ring - Snap	Fermeoir	Sprengring	Anillo De Resorte	
19	6194597M91	1	Rod - Piston	Bielle De Piston	Pleuelstange	Rod - Pistón	
20	6194614M91	0	Seal Kit	Jeu Etancheite	Dichtringsatz	Juego De Juntas	



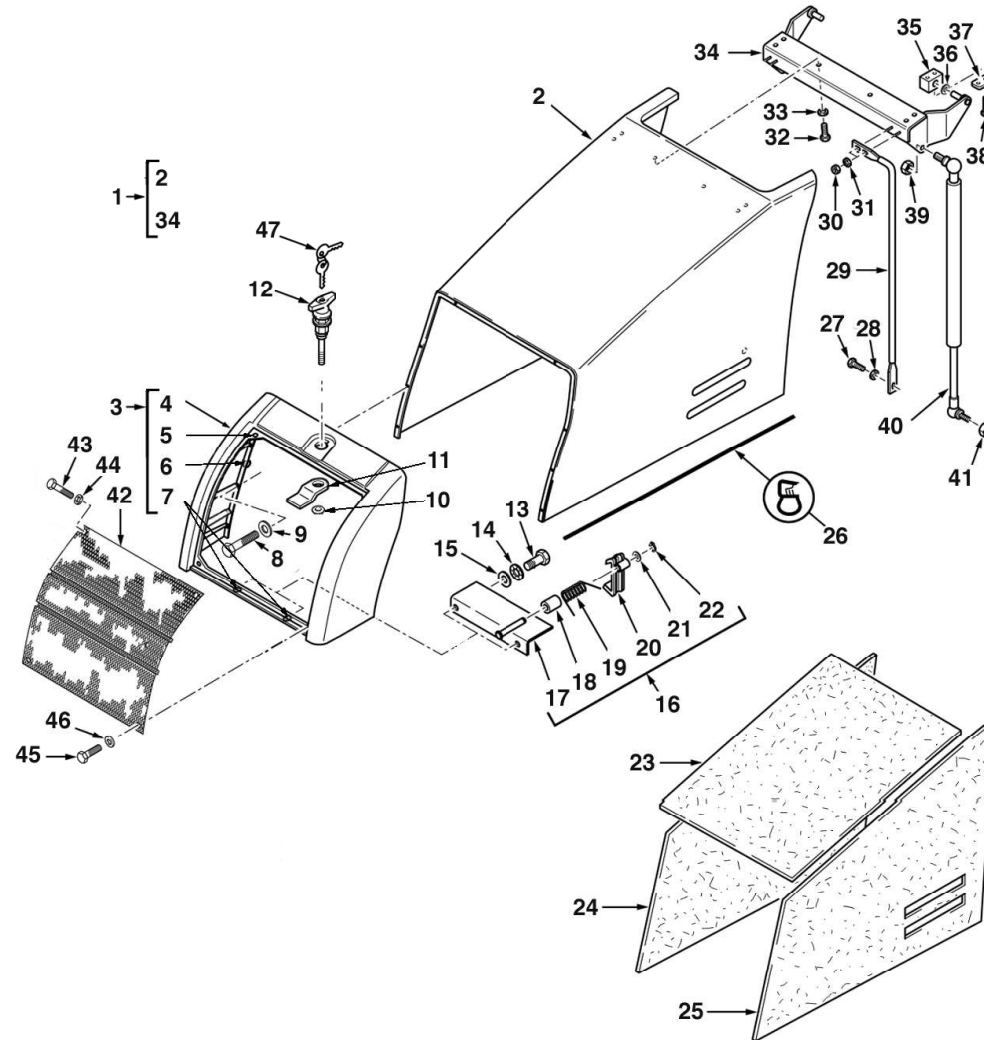
C-10021-01.1-B



Item	Part No.	Qty.	English	French	German	Spanish	Remarks
1	6111968M91	1	Chassis - 2ws Short Cm W/A	Châssis	Fahrgestell	Chasis	
2	#CHASSIS	1	Chassis	Chassis	Chassis	Chassis	Ref. 1
3	1470375M1	6	Threaded Mount Plate	Support De Fixation	Befestigung	Soporte De Fijación	
4	3522954M1	2	Dowel 12 X 55	Goupille Position.	Passtift	Peón	
5	#MOUNT	1	Mount	Mount	Mount	Mount	Ref. 1
6	3521388M5	4	Bush, Lower - Mast/Pivot	Douille	Buechse	Anillo	
7	339608X1	3	Grease Nipple - M10 X 1 (Zinc)	Nipple De Graissage	Schmiernippel	Engrasador	
8	3517246M2	2	Bush, Digger Pivot - Centremount	Douille	Büchse	Anillo	
9	339608X1	3	Grease Nipple - M10 X 1 (Zinc)	Nipple De Graissage	Schmiernippel	Engrasador	
10	6112725M1	1	Seal - Cooling Pack - Short Drop Chassis	Joint	Dichtung	Junta	Tier 3 Only



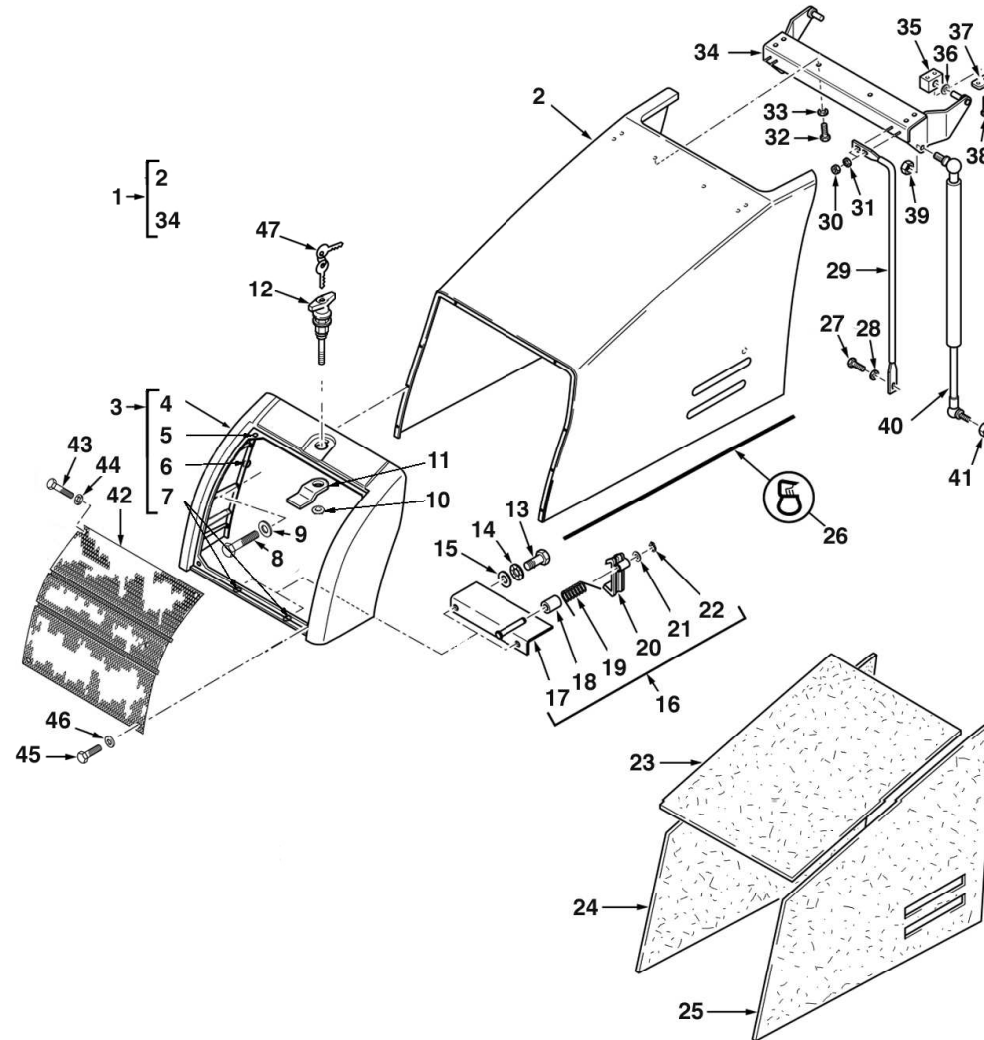
C-12001-01.1-A



Item	Part No.	Qty.	English	French	German	Spanish	Remarks
1	6109917M91	1	Bonnet Assy. Complete - Benford Yellow	Capot	Motorhaube	Capó De Motor, Conj.	
2	6100722M91	1	Bonnet: Fermec Yellow (Less Nose-Piece) - N1a	Capot	Motorhaube	Tapa	
3	6101058M92	1	Softnose Assy Bonnet	Ensemble De Nez	Schnauze Kpl.	Morro, Conj.	
4	#NOSE	1	Nose	Nose	Nose	Nose	Ref. 3
5	6101246M1	8	Jack Nut M6	Ecrou	Mutter	Tuerca Especial	
6	6100785M1	2	Insert-M6	Ecrou	Mutter	Inserción	
7	6102674M2	4	Latch Bar - Bonnet Catch	Loquet	Riegel	Picaporte	
8	339804X1	8	Bolt, Hex, - M6 X 25	Goupille	Maschschrb Metr - M6	Tornillo	
9	390971X1	8	Washer M6-12-1 Zwl	Rondelle - M6	Scheibe - M6	Arandela	
10	1440329X1	1	Nut, Hex. - Nyloc, M10	Ecrou Blocage	Flachmutter M10	Tuerca De Retención	
11	6108647M1	1	Bolt - Bonnet Lock	Goupille	Bolzen	Leva	
12	6108646M91	1	Lock Assy. - Bonnet,(Excluding Key)	Ensemble De Verrou	Schloss Kpl.	Cerradura, Conj.	
13	339124X1	2	Bolt M8-16 Z5f	Goupille	Maschschrb Metr - M8	Tornillo	
14	339374X1	2	Washer M8 -21-2 Z	Rondelle Frein - M8	Federring - M8	Arandela De Freno	
15	390972X1	2	Washer M8-17-1 Zwl	Rondelle M8	Scheibe - M8	Arandela	
16	6100960M92	1	Catch Assy., Safety - Bonnet	Loquet Porte	Falle	Picaporte	
17	#BRACKET	1	Bracket	Bracket	Bracket	Bracket	Ref. 16
18	6101529M1	1	Spacer	Entretoise	Distanzstück	Travesía	
19	3521090M3	1	Spring Torsion	Siège De Ressort	Federsitz	Muelle	
20	6106050M91	1	Catch, Safety - Bonnet	Loquet Porte	Falle	Picaporte	
21	390972X1	1	Washer M8-17-1 Zwl	Rondelle M8	Scheibe - M8	Arandela	
22	1440522X1	1	Circlip Ext	Segment D'Arrêt	Sicherungsring	Anillo De Resorte	
23	6101175M2	1	Panel-Soundpro*ng-Top	Isolation	Schalldämmung	Aislante	
24	6101176M1	1	Panel-Soundpro*ng-Side-Lh	Isolation	Schalldämmung	Aislante	
25	6101177M1	1	Panel-Soundpro*ng-Side-Rh	Isolation	Schalldämmung	Aislante	
26	6101241M1	2	Seal Bonnet	Joint	Dichtung	Junta	
27	339124X1	2	Bolt M8-16 Z5f	Goupille	Maschschrb Metr - M8	Tornillo	
28	385361X1	2	Washer M8 Hardened	Rondelle M8	Scheibe M8	Arandela	
29	6102023M1	2	Support Tube	Tube	Röhrleitung	Tubo	
30	394367X1	4	Nut, Hex. - Nyloc, M8	Ecrou Blocage M8	Flachmutter - M8	Tuerca De Retención	



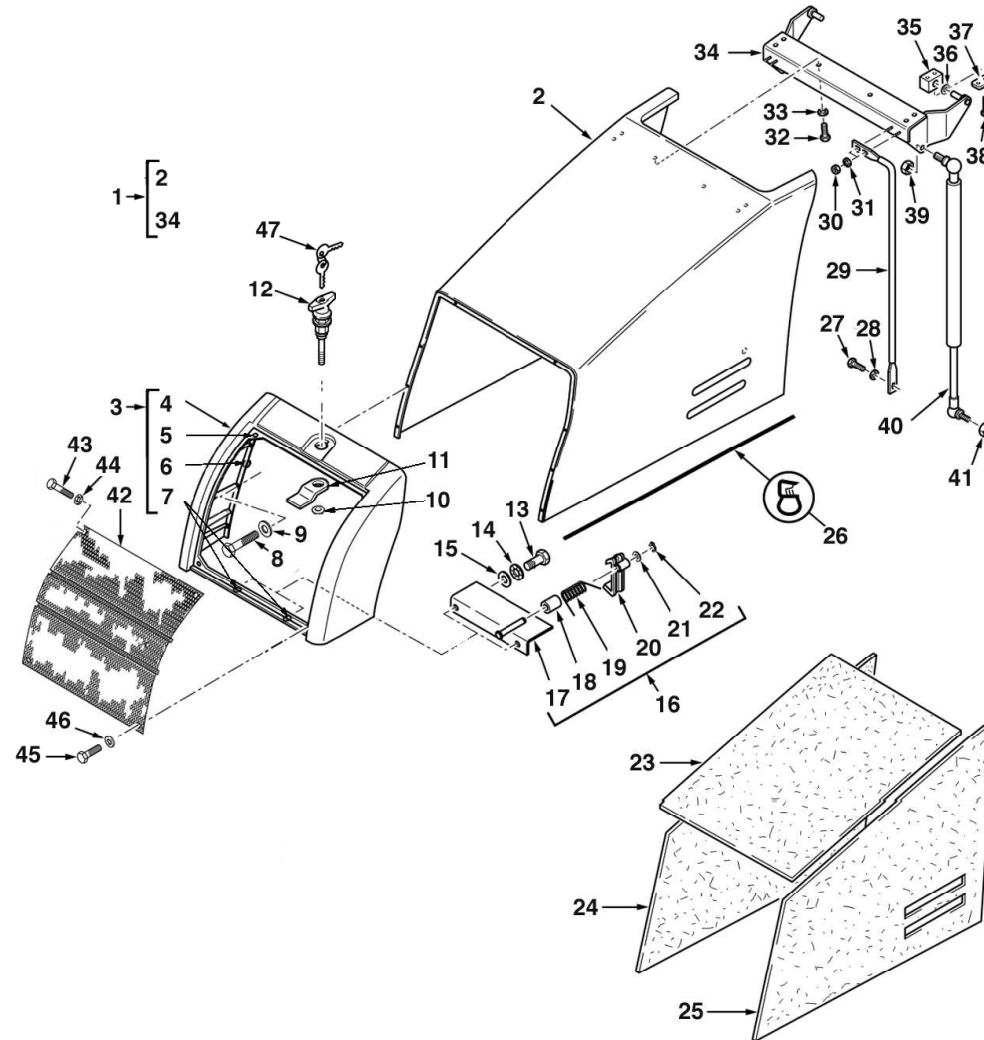
C-12001-01.1-A



Item	Part No.	Qty.	English	French	German	Spanish	Remarks
31	385361X1	4	Washer M8 Hardened	Rondelle M8	Scheibe M8	Arandela	
32	339124X1	6	Bolt M8-16 Z5f	Goupille	Maschschrb Metr - M8	Tornillo	
33	390972X1	6	Washer M8-17-1 Zwl	Rondelle M8	Scheibe - M8	Arandela	
34	6102084M91	1	Support Bracket W/A - Gas Strut	Patte Fixation	Halter	Soporte De Fijación	
35	6102086M1	2	Hinge-Block	Entretoise	Distanzstück	Soporte	
36	1441664X1	2	Washer M16-30-3 Z	Rondelle	Scheibe	Arandela	
37	1462583M1	2	Plate-Clamp	Plaque	Platte	Placa	
38	339229X1	4	Bolt M6-40 Z5s Lk	Boulon M6 X 40	Schraube M6 X 40	Tornillo	
39	394367X1	2	Nut, Hex. - Nyloc, M8	Ecrou Blocage M8	Flachmutter - M8	Tuerca De Retención	
40	6111404M91	2	Gas Strut - With Sleeve (Bonnet)	Vérin À Gaz	Gaszylinder	Gato De Gas	
41	394367X1	2	Nut, Hex. - Nyloc, M8	Ecrou Blocage M8	Flachmutter - M8	Tuerca De Retención	
42	6101133M91	1	Grille-Fermec	Grille	Grill	Rejilla	
43	391884X1	2	Bolt M6-50 Z5s	Goupille	Bolzen	Tornillo	
44	391038X1	2	Washer M6 - Large Zinc Hardened	Rondelle	Scheibe	Arandela	
45	339560X1	2	Bolt - M6 X 16mm (Hex.)	Boulon M6 X 16	Maschschraube - M6	Tornillo	
46	391038X1	2	Washer M6 - Large Zinc Hardened	Rondelle	Scheibe	Arandela	
47	6107891M1	2	Key, Multipurpose - 1 Pair	Clé	Schlüssel	Juego De Llaves	



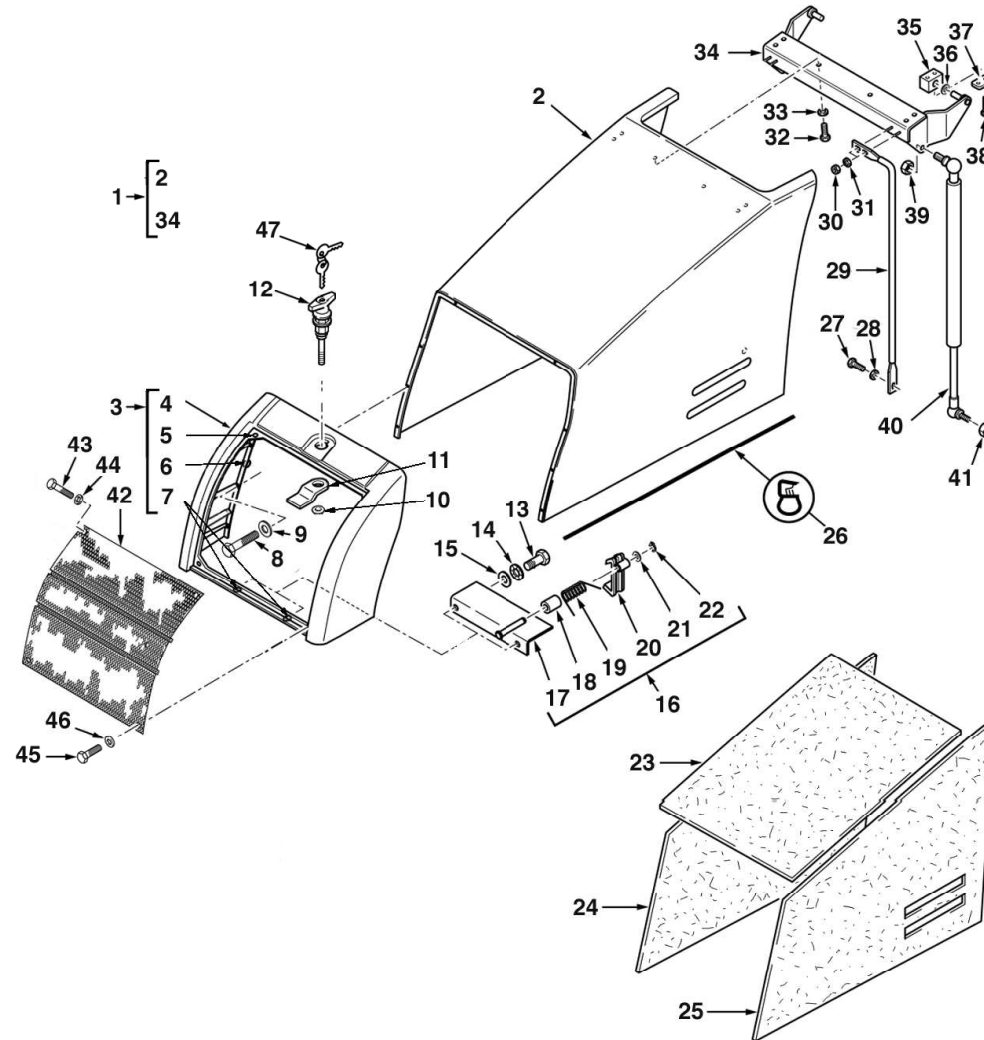
C-12002-01.1-A



Item	Part No.	Qty.	English	French	German	Spanish	Remarks
1	6109918M91	1	Bonnet Assy. Complete - Terex White	Capot	Motorhaube	Capó De Motor, Conj.	
2	6107887M91	1	Bonnet Assy. Less Nosecone - Terex White	Capot	Motorhaube	Tapa	
3	6101058M92	1	Softnose Assy Bonnet	Ensemble De Nez	Schnauze Kpl.	Morro, Conj.	
4	#NOSE	1	Nose	Nose	Nose	Nose	Ref. 3
5	6101246M1	8	Jack Nut M6	Ecrou	Mutter	Tuerca Especial	
6	6100785M1	2	Insert-M6	Ecrou	Mutter	Inserción	
7	6102674M2	4	Latch Bar - Bonnet Catch	Loquet	Riegel	Picaporte	
8	339804X1	8	Bolt, Hex, - M6 X 25	Goupille	Maschschrb Metr - M6	Tornillo	
9	390971X1	8	Washer M6-12-1 Zwl	Rondelle - M6	Scheibe - M6	Arandela	
10	1440329X1	1	Nut, Hex. - Nyloc, M10	Ecrou Blocage	Flachmutter M10	Tuerca De Retención	
11	6108647M1	1	Bolt - Bonnet Lock	Goupille	Bolzen	Leva	
12	6108646M91	1	Lock Assy. - Bonnet, (Excluding Key)	Ensemble De Verrou	Schloss Kpl.	Cerradura, Conj.	
13	339124X1	2	Bolt M8-16 Z5f	Goupille	Maschschrb Metr - M8	Tornillo	
14	339374X1	2	Washer M8 -21-2 Z	Rondelle Frein - M8	Federring - M8	Arandela De Freno	
15	390972X1	2	Washer M8-17-1 Zwl	Rondelle M8	Scheibe - M8	Arandela	
16	6100960M92	1	Catch Assy., Safety - Bonnet	Loquet Porte	Falle	Picaporte	
17	#BRACKET	1	Bracket	Bracket	Bracket	Bracket	Ref. 16
18	6101529M1	1	Spacer	Entretoise	Distanzstück	Traviesa	
19	3521090M3	1	Spring Torsion	Siège De Ressort	Federsitz	Muelle	
20	6106050M91	1	Catch, Safety - Bonnet	Loquet Porte	Falle	Picaporte	
21	390972X1	1	Washer M8-17-1 Zwl	Rondelle M8	Scheibe - M8	Arandela	
22	1440522X1	1	Circlip Ext	Segment D'Arrêt	Sicherungsring	Anillo De Resorte	
23	6101175M2	1	Panel-Soundpro*ng-Top	Isolation	Schalldämmung	Aislante	
24	6101176M1	1	Panel-Soundpro*ng-Side-Lh	Isolation	Schalldämmung	Aislante	
25	6101177M1	1	Panel-Soundpro*ng-Side-Rh	Isolation	Schalldämmung	Aislante	
26	6101241M1	2	Seal Bonnet	Joint	Dichtung	Junta	
27	339124X1	2	Bolt M8-16 Z5f	Goupille	Maschschrb Metr - M8	Tornillo	
28	385361X1	2	Washer M8 Hardened	Rondelle M8	Scheibe M8	Arandela	
29	6102023M1	2	Support Tube	Tube	Rohrleitung	Tubo	
30	394367X1	4	Nut, Hex. - Nyloc, M8	Ecrou Blocage M8	Flachmutter - M8	Tuerca De Retención	

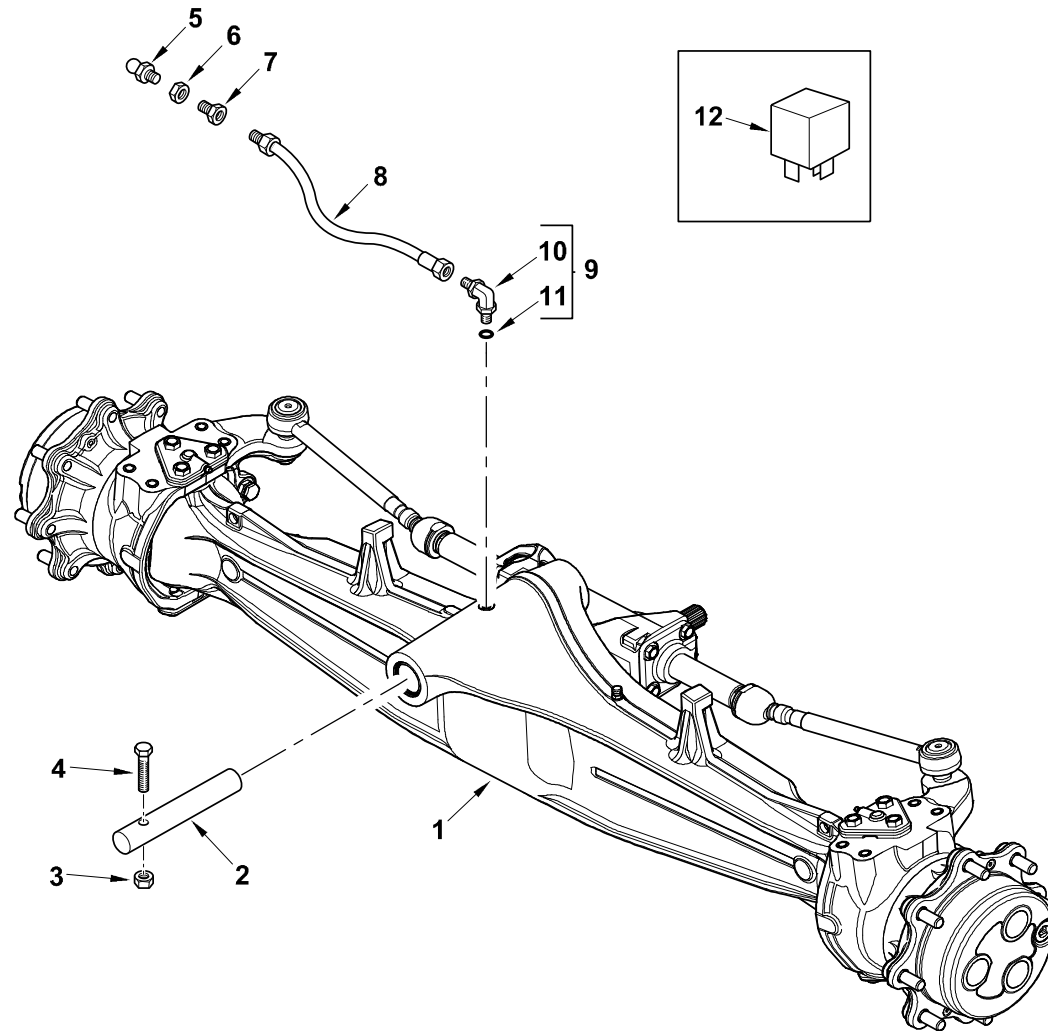


C-12002-01.1-A



Item	Part No.	Qty.	English	French	German	Spanish	Remarks
31	385361X1	4	Washer M8 Hardened	Rondelle M8	Scheibe M8	Arandela	
32	339124X1	6	Bolt M8-16 Z5f	Goupille	Maschschrb Metr - M8	Tornillo	
33	390972X1	6	Washer M8-17-1 Zwl	Rondelle M8	Scheibe - M8	Arandela	
34	6102084M91	1	Support Bracket W/A - Gas Strut	Patte Fixation	Halter	Soporte De Fijación	
35	6102086M1	2	Hinge-Block	Entretoise	Distanzstück	Soporte	
36	1441664X1	2	Washer M16-30-3 Z	Rondelle	Scheibe	Arandela	
37	1462583M1	2	Plate-Clamp	Plaque	Platte	Placa	
38	339229X1	4	Bolt M6-40 Z5s Lk	Boulon M6 X 40	Schraube M6 X 40	Tornillo	
39	394367X1	2	Nut, Hex. - Nyloc, M8	Ecrou Blocage M8	Flachmutter - M8	Tuerca De Retención	
40	6111404M91	2	Gas Strut - With Sleeve (Bonnet)	Vérin À Gaz	Gaszylinder	Gato De Gas	
41	394367X1	2	Nut, Hex. - Nyloc, M8	Ecrou Blocage M8	Flachmutter - M8	Tuerca De Retención	
42	6101133M91	1	Grille-Fermec	Grille	Grill	Rejilla	
43	391884X1	2	Bolt M6-50 Z5s	Goupille	Bolzen	Tornillo	
44	391038X1	2	Washer M6 - Large Zinc Hardened	Rondelle	Scheibe	Arandela	
45	339560X1	2	Bolt - M6 X 16mm (Hex.)	Boulon M6 X 16	Maschschraube - M6	Tornillo	
46	391038X1	2	Washer M6 - Large Zinc Hardened	Rondelle	Scheibe	Arandela	
47	6107891M1	2	Key, Multipurpose - 1 Pair	Clé	Schlüssel	Juego De Llaves	

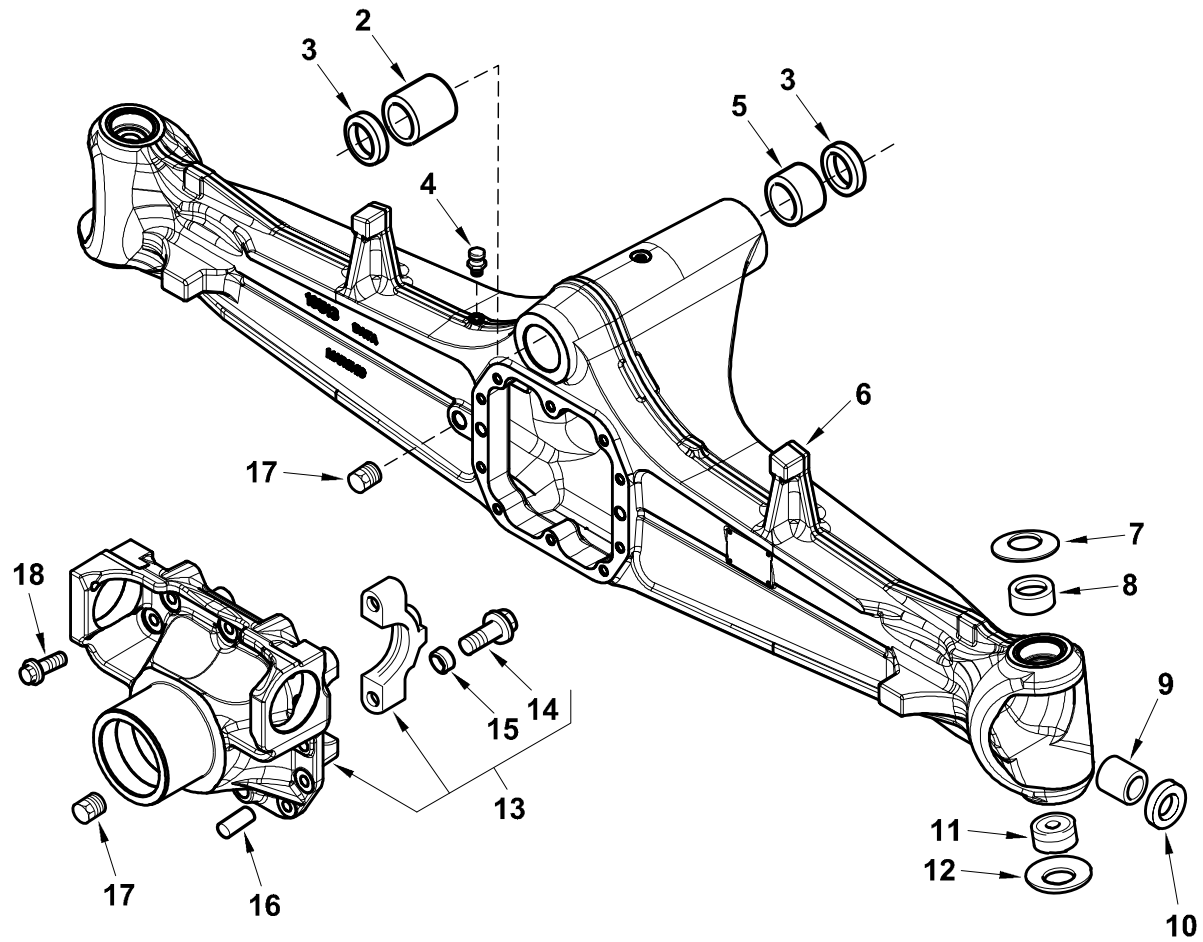
C-16020-01.1-A



Item	Part No.	Qty.	English	French	German	Spanish	Remarks
1	6111451M91	1	Axle Assy 860 (760 Na) 2ws 4wd Csx & Cps	Essieu Avant	Voderachse	Puente Delantero, Conj.	
2	6110099M1	1	Pin - 2ws Axle Pivot	Axe	Bolzen	Pasador	
3	1440330X1	1	Nut Nyloc M12	Ecrou	Flachmutter M12	Tuerca	
4	3009518X1	1	Bolt - M12 X 110lg	Goupille	Bolzen M12 X 110	Perno	
5	1441858X1	1	Grease Nipple - Straight, M6	Graisser Coude	Schmiernippel	Engrasador	
6	3009694X1	1	Nut M10 Z1 Thin	Ecrou	Mutter M10	Tuerca De Retención	
7	3521240M1	1	Union Bulkhead	Union	Schraubanschluss	Racor	
8	6110198M91	1	Hose Assembly - Grease	Flexible	Schlauch	Flexible, Conj.	
9	358760X91	1	Elbow 90#7/16-7/16 Unf	Coude, 90	Kniestück, 90°	Codo, 90°	
10	#ELBOW	1	Elbow	Elbow	Elbow	Elbow	Ref. 9
11	831495M1	1	O-Ring	Joint Torique	O-Ring	Junta De Tipo O	
12	6102490M1	1	Relay-Micro	Relais	Relais	Relé	



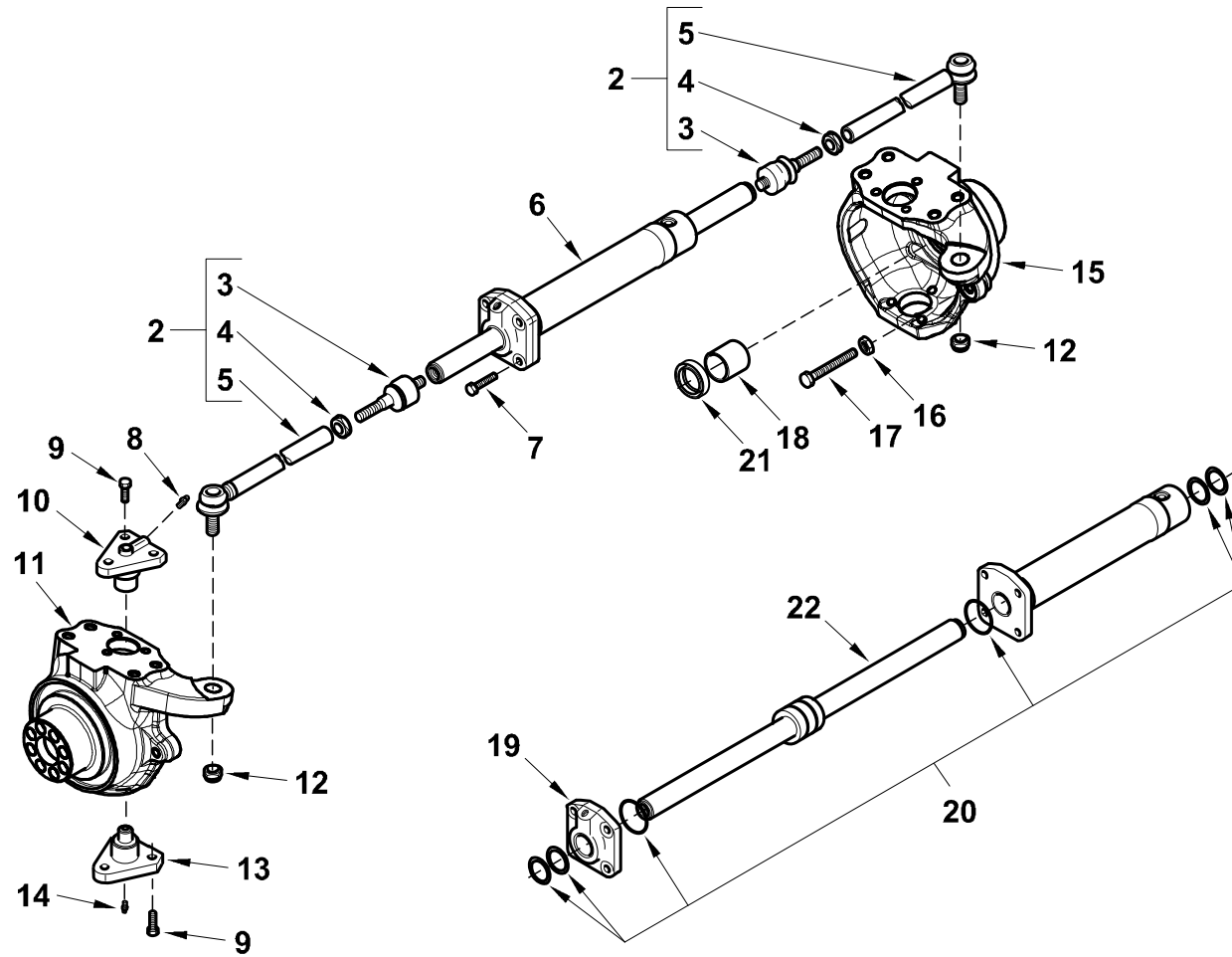
C-16020-02.1-A



Item	Part No.	Qty.	English	French	German	Spanish	Remarks
1	6111451M91	1	Axle Assy 860 (760 Na) 2ws 4wd Csx & Cps	Essieu Avant	Voderachse	Puente Delantero, Conj.	
2	6194021M1	1	Bush 60 X 50 19 X 54	Douille	Buechse	Casquillo	
3	6194017M1	2	Oil Seal	Joint D'Arbre	Wellendichtring	Junta De Aceite	
4	3475328M1	1	Breather - Axle Housing	Reni*ard	Entlufte	Ventilador Del Cáster	
5	6194022M1	1	Bush - Front	Douille	Buechse	Casquillo	
6	6194902M1	1	Housing - Axle	Trompette	Achsgehäuse	Cáster De Puente	
7	3523545M1	2	Washer - Belleville	Rondelle	Unterlegscheibe	Arandela	
8	6194030M1	2	Bush	Douille	Buechse	Casquillo	
9	3475535M1	2	Bush - Pivot Housing	Douille	Buechse	Anillo	
10	6194903M1	2	Oil Seal	Bague Etancheite	Oldichtring	Junta De Aceite	
11	3523057M1	2	Bearing, Spherical - Swivel Pins	Roul Spherique	Lager Ballig	Anillo	
12	3523555M1	2	Washer - Belleville	Rondelle	Unterlegscheibe	Arandela	
13	6194018M91	2	Support Differential	Support	Lagerung	Apoyadero, Conj.	
14	3523068M1	1	Bolt - M14 X 75	Boulon M14 X 75	Maschschraube M14	Tornillo	
15	3475335M1	4	Bush - Centring	Douille	Büchse	Anillo	
16	3475341M1	4	Pin D15 X 35	Goupille	Bolzen	Pasador	
17	3475329M1	2	Plug - Drain M22 (Diff. Housing)	Bouchon	Ablaschraube	Tapón	
18	3523067M1	10	Bolt - M12 X 33	Boulon M12 X 33	Bolzen - M12 X 33	Tornillo	



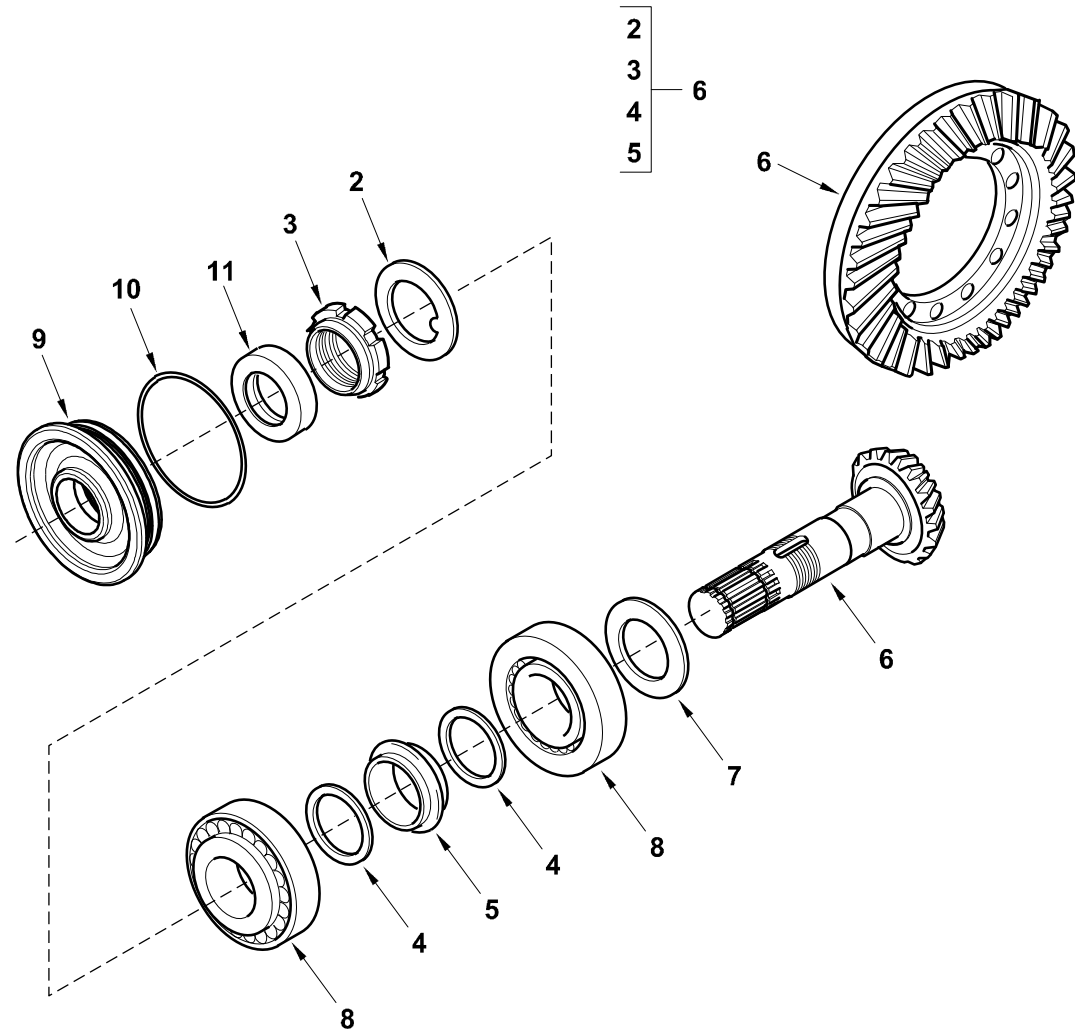
C-16020-03.1-A



Item	Part No.	Qty.	English	French	German	Spanish	Remarks
1	6111451M91	1	Axle Assy 860 (760 Na) 2ws 4wd Csx & Cps	Essieu Avant	Voderachse	Puente Delantero, Conj.	
2	6112445M91	2	Steering Arm Assy	Bras	Arm	Conjunto De Brazo De Mando	
3	6194904M91	2	Spherical Joint	Joint Sphérique	Achsgehäuse	Rotula	
4	6193677M1	2	Nut, Hex, Jamb - M24 X 1.5, Tr. Rod Lock	Ecrou - M24	Flachmutter	Tuerca	
5	6193678M1	2	Track Rod & Outer End	Barre De Direction	Spurstange	Barra De Dirección	
6	6112444M91	1	Cylinder - Steer	Verin Direction	Lenkzylinder	Gato De Dirección	
7	6194024M1	4	Bolt M12 X 45	Boulon - M12	Maschschraube - M12	Perno	
8	6190567M1	2	Grease Nipple	Graisseur Coude	Schmiernippel	Engrasador	
9	3523548M1	12	Bolt - M14 X 35 (Self Locking)	Boulon	Sechskantschraube M14x35	Tornillo	
10	6190565M1	2	Swivel Pin, Upper - Front Axle	Goupille	Achsschenkelbolzen	Pasador	
11	6194905M91	1	Housing - Swivel LH	Carter	Gehäuse	Cárter, Junta Giratoria	
12	6190221M1	2	Nut - Lock M20	Ecrou Blocage	Flachmutter	Tuerca	
13	6190566M1	2	Swivel Pin, Lower - Front Axle	Goupille	Achsschenkelbolzen	Pasador	
14	6194111M1	2	Grease Nipple	Nipple De Graissage	Schmiernippel	Engrasador	
15	6194906M91	1	Housing - Swivel RH	Carter	Gehäuse	Cárter, Junta Giratoria	
16	6194005M1	2	Nut M16	Ecrou	Mutter	Tuerca	
17	6194907M1	2	Bolt - M16 X 75	Boulon M16 X 75	Maschschraube M16	Perno	
18	6194908M1	2	Bush	Douille	Büchse	Casquillo	
19	6194909M1	1	Cylinder Head	Culasse	Zylinderkopf	Culata	
20	6194910M91	1	Kit - Oil Seal	Jeu Etancheite	Dichtringsatz	Juego De Juntas	
21	6194911M1	2	Oil Seal Ring	Bague Etancheite	Öldichtung	Junta De Aceite	
22	6194912M91	1	Rod	Tringle	Stange	Vástago	



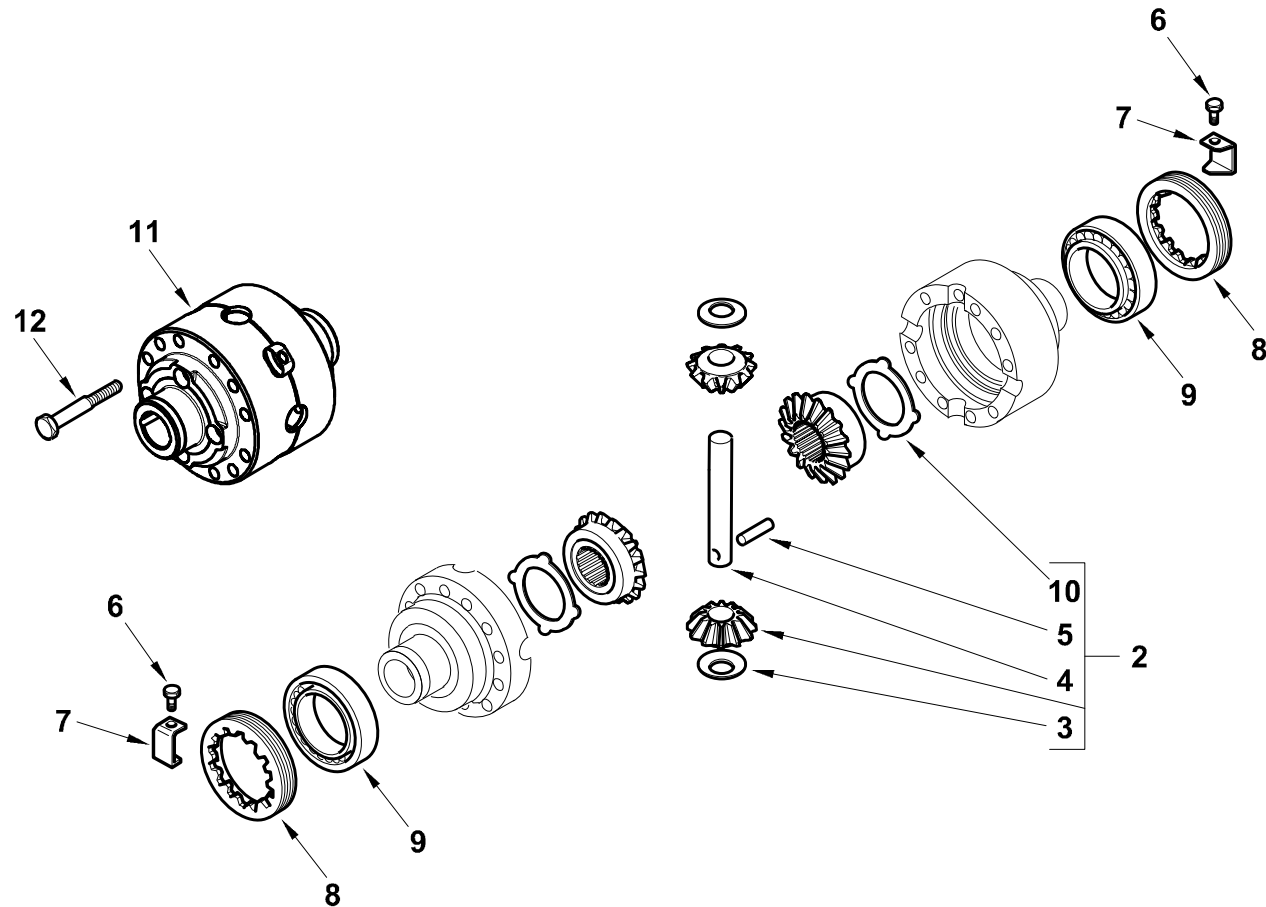
C-16020-04.1-A



Item	Part No.	Qty.	English	French	German	Spanish	Remarks
1	6111451M91	1	Axle Assy 860 (760 Na) 2ws 4wd Csx & Cps	Essieu Avant	Voderachse	Puente Delantero, Conj.	
2	3475569M1	1	Tab Washer - Locking	Rondelle Frein	Federring	Arandela De Freno	
3	3475570M1	1	Ring Nut - M40	Ecrou - M40	Mutter - M40	Tuerca	
4	3523082M1	2	Washer - Pinion Shaft	Rondelle	Unterlegscheibe	Arandela	
5	3523083M1	1	Spacer - Collapsible (Pinion Shaft)	Entretoise	Abstandstück	Traviesa	
6	6194508M91	1	Bevel Gear/ Pinion Set 12/33	Jeu Engrenages	Zahnradatz	Engranaje Cónico/Piñón	
7	6190204M1	1	Shim, 3.2mm - Pinion Shaft	Cale	Ausgleichsscheibe	Calce	
7	6190205M1	1	Shim, 3.3mm - Pinion Shaft	Cale	Ausgleichsscheibe	Calce	
7	6190206M1	1	Shim, 3.4mm - Pinion Shaft	Cale	Ausgleichsscheibe	Calce	
7	6190203M1	1	Shim, 3.1mm - Pinion Shaft	Cale	Ausgleichsscheibe	Calce	
7	6190202M1	1	Shim, 3.0mm - Pinion Shaft	Cale	Ausgleichsscheibe	Calce	
7	6190201M1	1	Shim, 2.9mm - Pinion Shaft	Cale	Ausgleichsscheibe	Calce	
7	6190200M1	1	Shim, 2.8mm - Pinion Shaft	Cale	Ausgleichsscheibe	Calce	
7	6190199M1	1	Shim, 2.7mm - Pinion Shaft	Cale	Ausgleichsscheibe	Calce	
7	6190198M1	1	Shim, 2.6mm - Pinion Shaft	Cale	Ausgleichsscheibe	Calce	
7	6190197M1	1	Shim, 2.5mm - Pinion Shaft	Cale	Ausgleichsscheibe	Calce	
8	3475567M1	2	Bearing, Taper Roller - Pinion	Roul Conique	Kegellager	Cojinete De Bolas	
9	6194025M1	1	Cover	Cache	Abdeckung	Tapa	
10	6194006M1	1	O - Ring	Joint Torique	O Ring	Junta De Tipo O	
11	6193433M1	1	Oil Seal	Bague Etancheite	Oldichtring	Junta De Aceite	



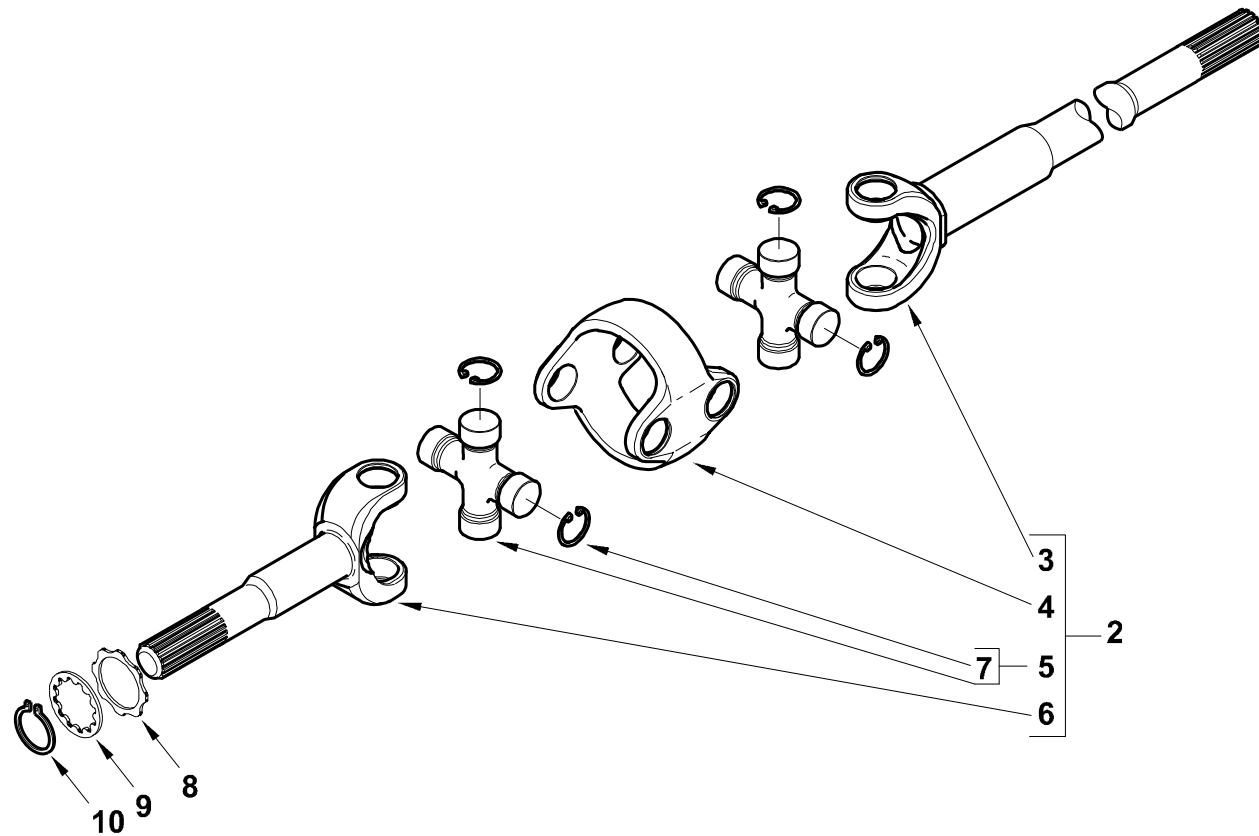
C-16020-05.1-A



Item	Part No.	Qty.	English	French	German	Spanish	Remarks
1	6111451M91	1	Axle Assy 860 (760 Na) 2ws 4wd Csx & Cps	Essieu Avant	Voderachse	Puente Delantero, Conj.	
2	6190225M91	1	Kit - Differential Gears & Shaft	Jeu, Différentiel	Differentialsatz	Juego, Diferencial	
3	3475579M1	2	Thrust Washer - Diff. Cross	Rondelle Butee	Anlaufscheibe	Arandela De Tope	
4	3523085M1	1	Shaft	Arbre	Welle	Árbol	
5	3523088M1	1	Dowel Pin - 7mm X 40mm	Goupille	Bolzen	Peón	
6	3523583M1	2	Bolt M6 X 10	Boulon M6 X 10	Maschschraube M6	Tornillo	
7	3475583M1	2	Plate, Locking	Plaque Blocage	Sichblech	Placa	
8	3475584M1	2	Ring Nut - M94	Ecrou	Mutter	Tuerca	
9	3475585M1	2	Bearing - Roller (Differential)	Roulement Galets	Rollenlager	Cojinete, Rodillos	
10	3475581M1	2	Thrust Washer - Differential	Rondelle De Butée	Anlaufscheibe	Arandela De Tope	
11	6190815M91	1	Housing Assy. - Differential	Carter Diff.	Diffgehäuse	Cárter, Conj.	
12	3523086M1	12	Bolt - M10 X 75, Grade 12.9, Self Lock	Boulon - M10 X 75	Maschschraube - M10	Tornillo	



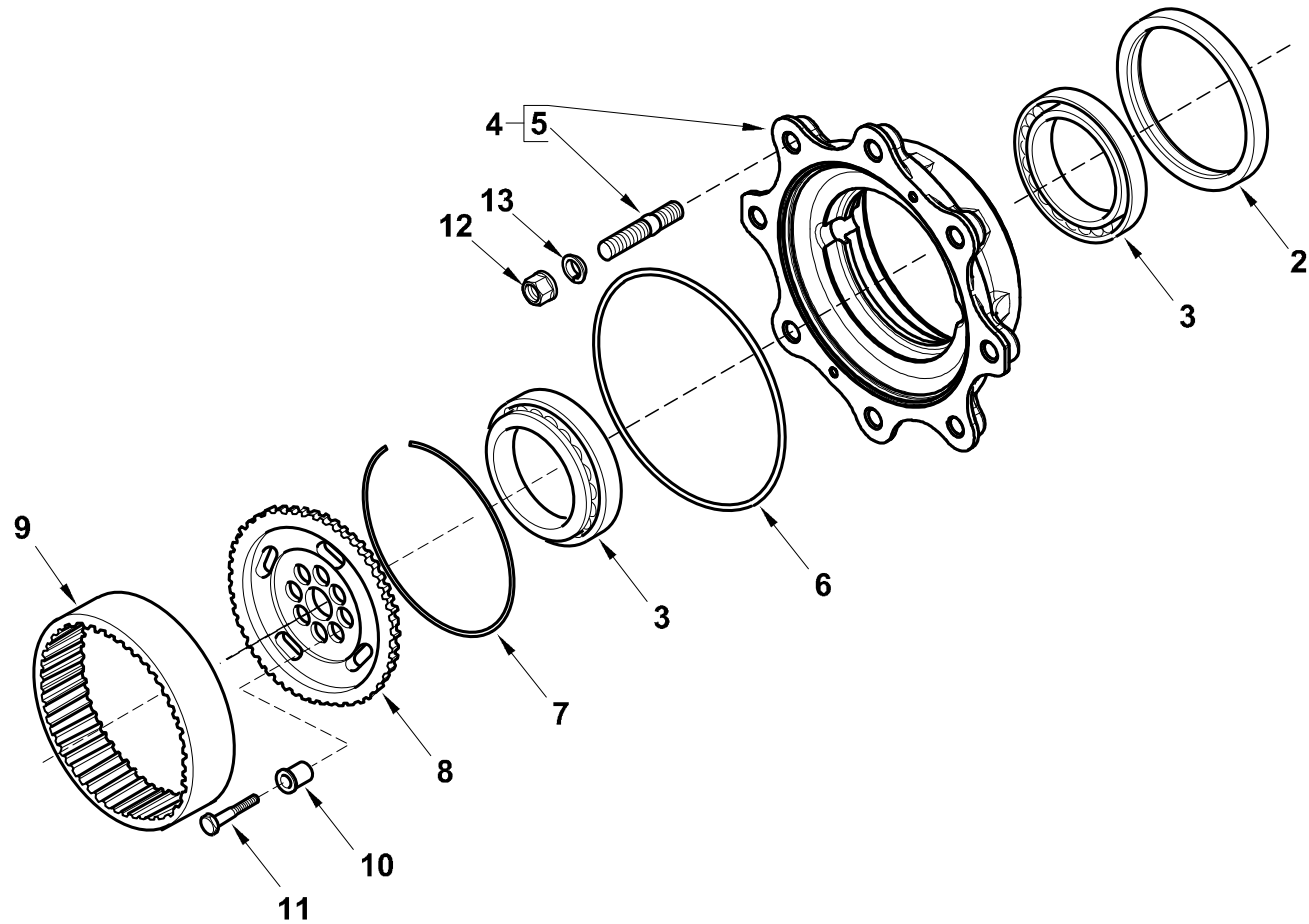
C-16020-06.1-A



Item	Part No.	Qty.	English	French	German	Spanish	Remarks
1	6111451M91	1	Axle Assy 860 (760 Na) 2ws 4wd Csx & Cps	Essieu Avant	Voderachse	Puente Delantero, Conj.	
2	6194913M91	2	U - Joint (Double)	Joint D'u	U Verbindung	Árbol De Puente	
3	6194914M1	2	Fork (Diff Side)	Fourchette	Gabel	Árbol	
4	6194915M1	2	Body - Central	Corps	Körper	Brida	
5	6190253M91	4	Spider	Jeu Réparation	Reparatursatz	Cruceta, Conj.	
6	6194916M1	2	Fork (Wheel Hub)	Fourchette	Gabel	Árbol	
7	6194917M1	16	Ring - Lock	Anneau	Ring	Anillo De Resorte	
8	6194918M1	2	Washer	Rondelle	Unterlegscheibe	Arandela	
9	6194919M1	2	Washer	Rondelle	Unterlegscheibe	Arandela	
10	6193699M1	2	Circlip - Rear Drive Shaft	Segment D'Arrêt	Sicherungsring	Anillo De Resorte	



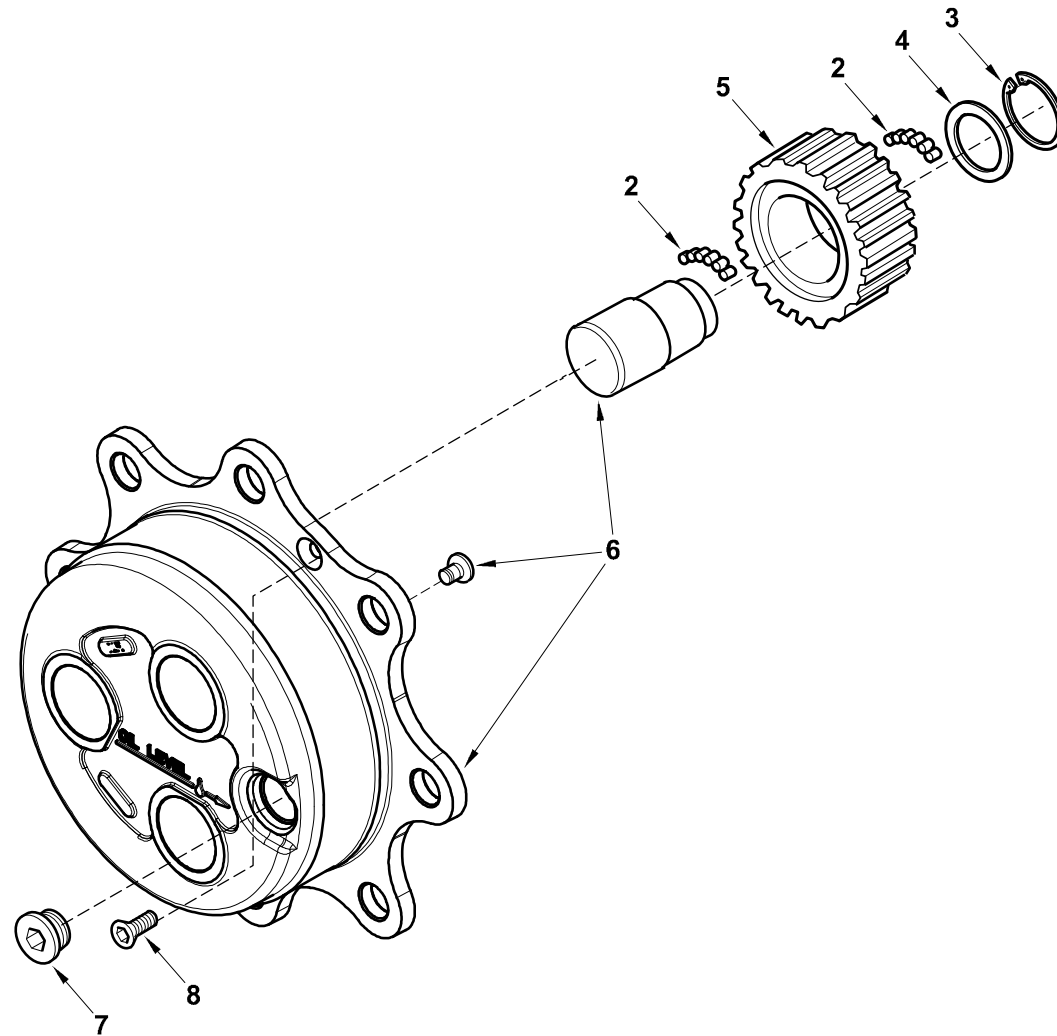
C-16020-07.1-B



Item	Part No.	Qty.	English	French	German	Spanish	Remarks
1	6111451M91	1	Axle Assy 860 (760 Na) 2ws 4wd Csx & Cps	Essieu Avant	Voderachse	Puente Delantero, Conj.	
2	6193704M1	2	Oil Seal - Hub	Joint D´Arbre	Wellendichtring	Junta De Anillo	
3	3475599M1	4	Bearing, Roller	Roulement, Rouleau	Rollenlager	Cojinete De Bolas	
4	6194920M91	2	Kit - Wheel Hub	Jeu Moyeu	Satz Naben	Juego, Cubo De Rueda	
5	6194921M1	16	Stud	Goujon	Stehbolzen	Espárrago	
6	6194922M1	2	O - Ring	Joint Torique	O - Ring	Junta De Tipo O	
7	6194923M1	2	Ring	Anneau	Ring	Aro	
8	6194924M1	2	Wheel Carrier	Porte Satellites	Trager	Portador De Rueda	
9	6194925M1	2	Gear - Crown Z60	Engrenage	Zahnrad	Engranaje De Corona	
10	6194926M1	16	Bush	Douille	Büchse	Casquillo	
11	6194927M1	16	Screw M12 X 45	Vis - M12 X 45	Schraube - M12 X 45	Tornillo	
12	6114663M1	16	Carraro Front Axle Wheel Nut	Carraro Front Axle Wheel Nut	Carraro Front Axle Wheel Nut	Carraro Front Axle Wheel Nut	
13	6114664M1	16	Carraro Front Axle Wheel Washer	Carraro Front Axle Wheel Washer	Carraro Front Axle Wheel Washer	Carraro Front Axle Wheel Washer	



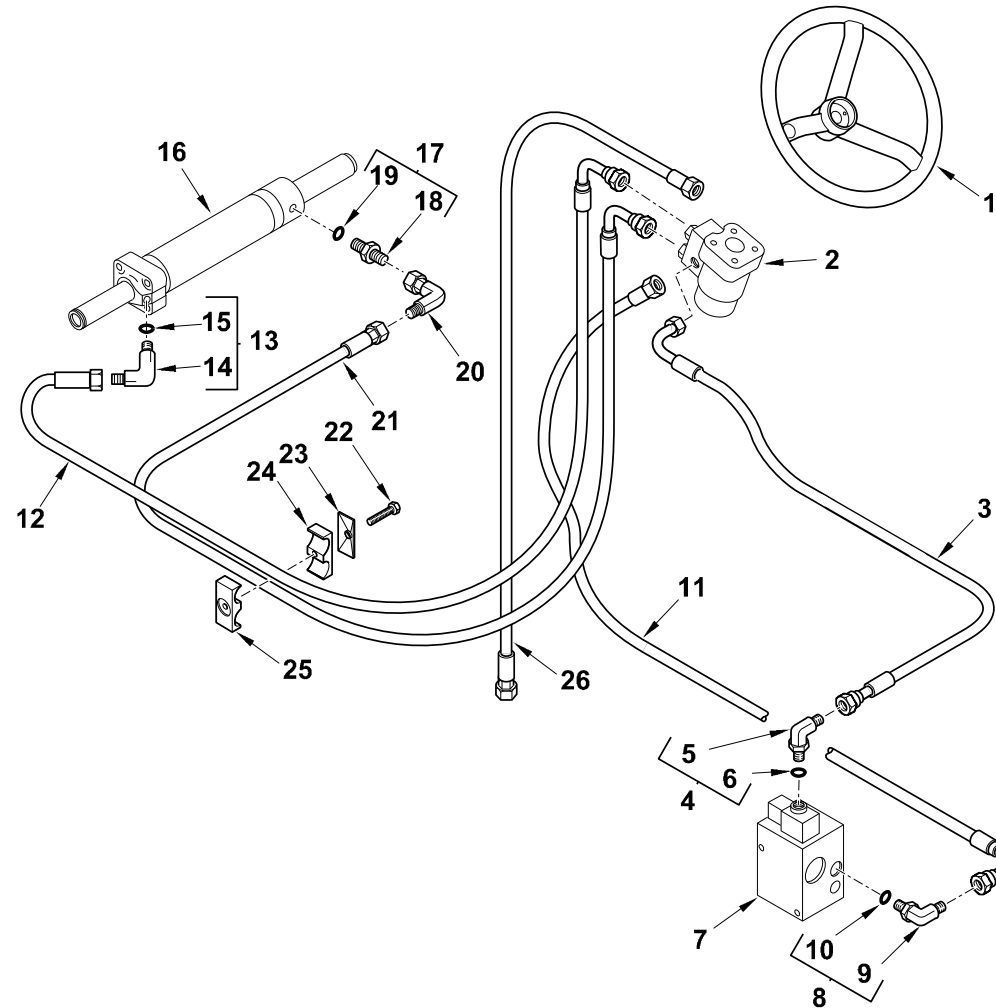
C-16020-08.1-A



Item	Part No.	Qty.	English	French	German	Spanish	Remarks
1	6111451M91	1	Axle Assy 860 (760 Na) 2ws 4wd Csx & Cps	Essieu Avant	Vorderachse	Puente Delantero, Conj.	
2	6193417M1	33	Roller, Needle	Aiguille	Nadel	Aguja	
3	6194928M1	6	Ring - Snap (D38)	Fermeoir	Sprengring	Anillo De Resorte	
4	6194929M1	6	Washer	Rondelle	Unterlegscheibe	Arandela	
5	6194930M1	6	Gear - Z23	Engrenage	Zahnrad	Piñón	
6	6194931M91	2	Kit - Carrier (Planetary)	Jeu Porte Satell	Satz Plangetr	Kit, Portador Planetario	
7	3523632M1	2	Plug	Bouchon	Stopfen	Tapón	
8	6190282M1	2	Screw, C/Sunk - M8 X 20	Vis	Schraube	Tornillo	

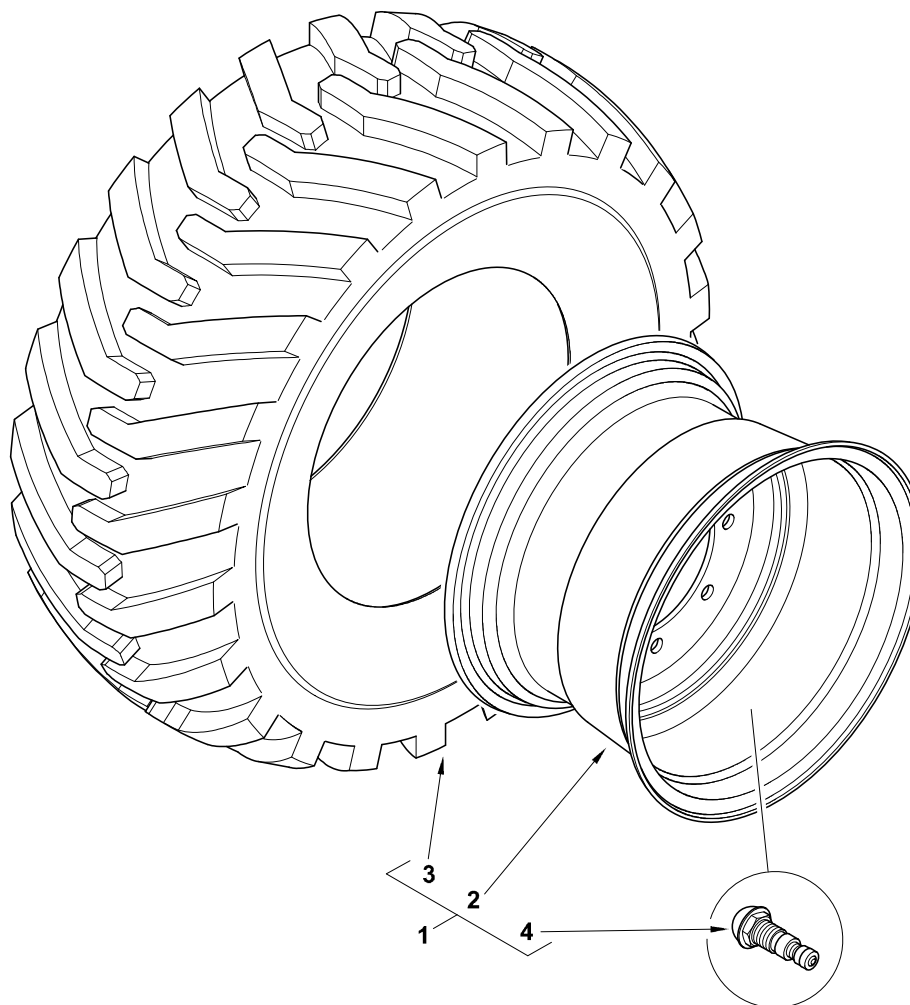


C-17001-01.1-B



Item	Part No.	Qty.	English	French	German	Spanish	Remarks
1	6106008M1	1	Wheel-Steering	Volant	Lenkrad	Volante De Dirección	
2	#PUMP, STEERING	1	Pump, Steering	Pump, Steering	Pump, Steering	Pump, Steering	41010c03.1 18
3	6109248M92	1	Hose Assy - Load Sense	Ensemble Durit	Schlauch Kpl	Flexible, Conj.	
4	358760X91	1	Elbow 90#7/16-7/16 Unf	Coude, 90	Kniestück, 90°	Codo, 90°	
5	#ELBOW	1	Elbow	Elbow	Elbow	Elbow	Ref. 4
6	831495M1	1	O-Ring	Joint Torique	O-Ring	Junta De Tipo O	
7	#VALVE ASSY	1	Valve Assy	Valve Assy	Valve Assy	Valve Assy	Main Hydraulics
8	835007M91	1	Elbow 90 Degree Adjust	Coude 90°	Kniestück 90°	Codo, 90°	
9	#ELBOW	1	Elbow	Elbow	Elbow	Elbow	Ref. 8
10	835024M1	1	Ring O - Boa	Joint Torique	O Ring	Junta De Tipo O	
11	6109245M91	1	Hose Assembly - Pressure	Ensemble De Flexible	Schlauch Kpl.	Flexible, Conj.	
12	6109246M91	1	Hose Assy - Orb To S-Cyl RH	Flexible Ass.	Schlauch Kpl	Flexible, Conj.	
13	358781X91	1	Elbow 45 Deg 4ws	Coude 135°	Winkelstuck 135°	Codo, 45°	
14	#ELBOW	1	Elbow	Elbow	Elbow	Elbow	Ref. 13
15	#O-RING	1	O-Ring	Joint Torique	O-Ring	Junta Tórica	Ref. 13
16	#CYLINDER ASSY	1	Cylinder Assy	Cylinder Assy	Cylinder Assy	Cylinder Assy	Front Axle, Steering Pivot
17	835091M91	1	Connector 9/16 Unf	Borne	Doppelnippel	Unión	
18	#UNION	1	Union	Union	Union	Union	Ref. 17
19	831452M1	1	O Ring (Pack Of 10)	Joint Torique	O Ring	Junta De Tipo O	
20	364603X1	1	Elbow Swivel 9/16	Coude	Winkelstuck	Codo, 90°	
21	6109247M91	1	Hose Assy - Orb To S-Cyl LH	Flexible Ass.	Schlauch Kplt	Flexible, Conj.	
22	339011X1	1	Bolt M8-45 Z5s	Boulon	Schraube	Perno	
23	1470376M1	1	Top Plate-Clamp	Plaque	Platte	Placa	
24	1470377M1	1	Clamp Segment	Collier	Halteschelle	Brida De Fijación	
25	1470377M1	1	Clamp Segment	Collier	Halteschelle	Brida De Fijación	
26	6109244M91	1	Hose Assy - Return	Flexible Ass.	Schlauch Kplt	Flexible, Conj.	

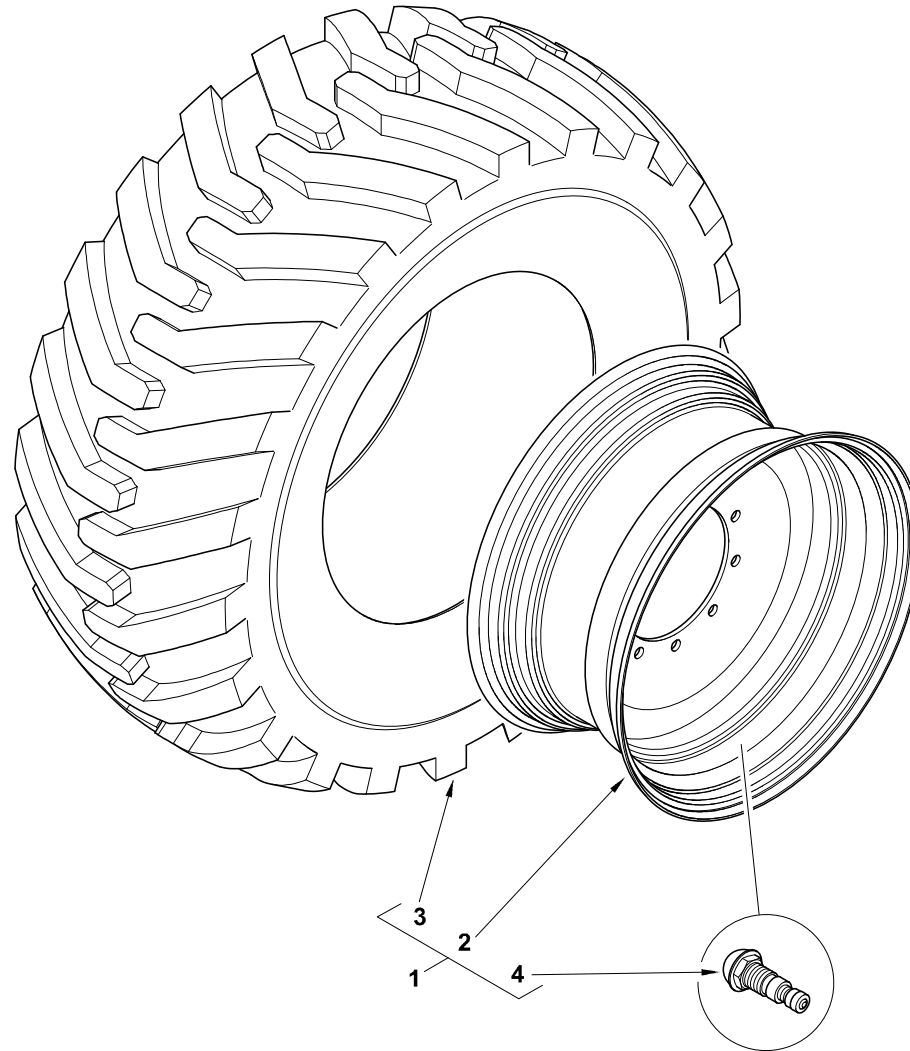
C-15002-01.1-A



Item	Part No.	Qty.	English	French	German	Spanish	Remarks
1	6111461M91Y02	1	Wheel Assy LH	Roue Et Pneu	Rad Mit Bereifg	Rueda, Conj.	Yellow
1	6111462M91Y02	1	Wheel Assy RH	Roue Et Pneu	Rad Mit Bereifg	Rueda, Conj.	Yellow
1	6111462M91W01	1	Wheel Assy RH	Roue Et Pneu	Rad Mit Bereifg	Rueda, Conj.	White
1	6111461M91W01	1	Wheel Assy LH	Roue Et Pneu	Rad Mit Bereifg	Rueda, Conj.	White
2	6111376M91	1	Wheel Assy (13 X 20)	Roue	Rad	Rueda	
3	6110755M1	1	Tyre - Mitas 16/70 X 20 14p Tr-09 Ind	Pneu	Reifen	Neumático	
4	842537M1	1	Valve Wheel Boa	Soupape	Ventilspindel	Válvula De In•ado	



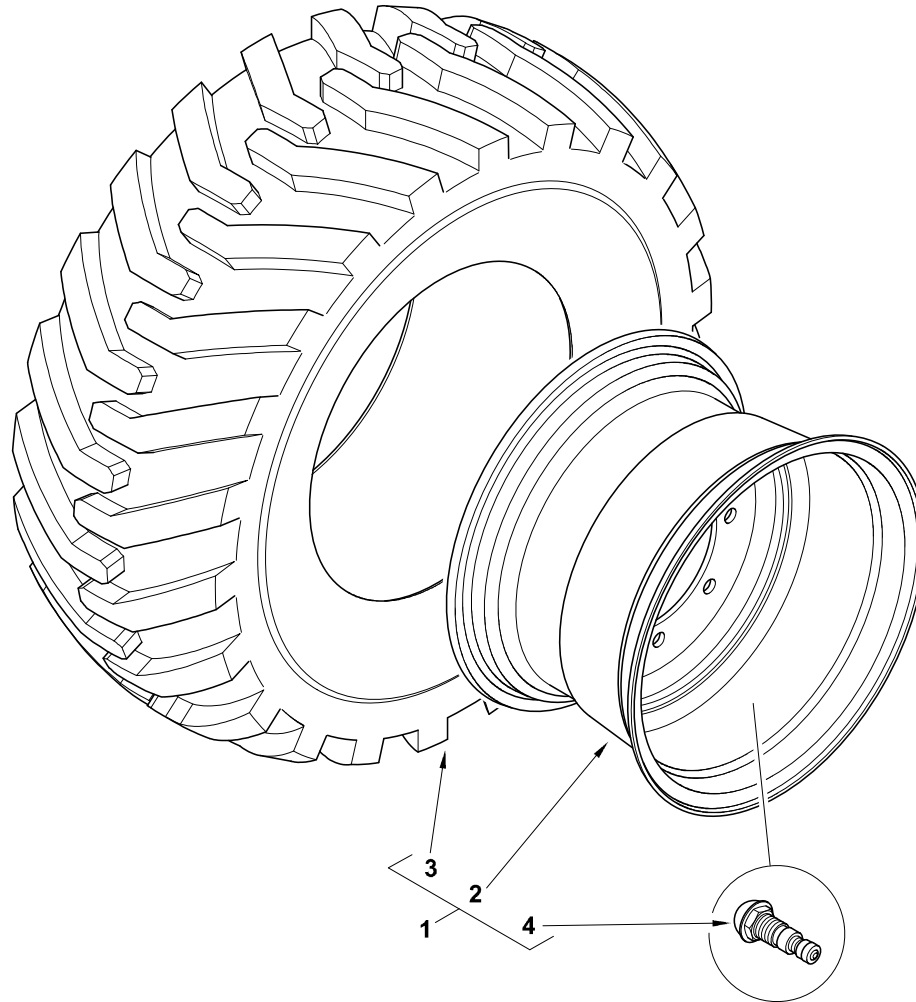
C-15002-02.1-A



Item	Part No.	Qty.	English	French	German	Spanish	Remarks
1	6110750M91W01	1	Wheel Assy RH	Roue Et Pneu	Rad Mit Bereifg	Rueda, Conj.	White
1	6110750M91Y02	1	Wheel Assy RH	Roue Et Pneu	Rad Mit Bereifg	Rueda, Conj.	Yellow
1	6110749M91Y02	1	Wheel Assy LH	Roue Et Pneu	Rad Mit Bereifg	Rueda, Conj.	Yellow
1	6110749M91W01	1	Wheel Assy LH	Roue Et Pneu	Rad Mit Bereifg	Rueda, Conj.	White
2	6103191M91	1	Wheel-Dw15l X 30	Roue	Rad	Llanta	
3	6110761M1	1	Tyre - Mitas 16.9 X 30 14p Ti-09 Ind	Pneu	Reifen	Neumático	
4	842537M1	1	Valve Wheel Boa	Soupape	Ventilspindel	Válvula De In•ado	



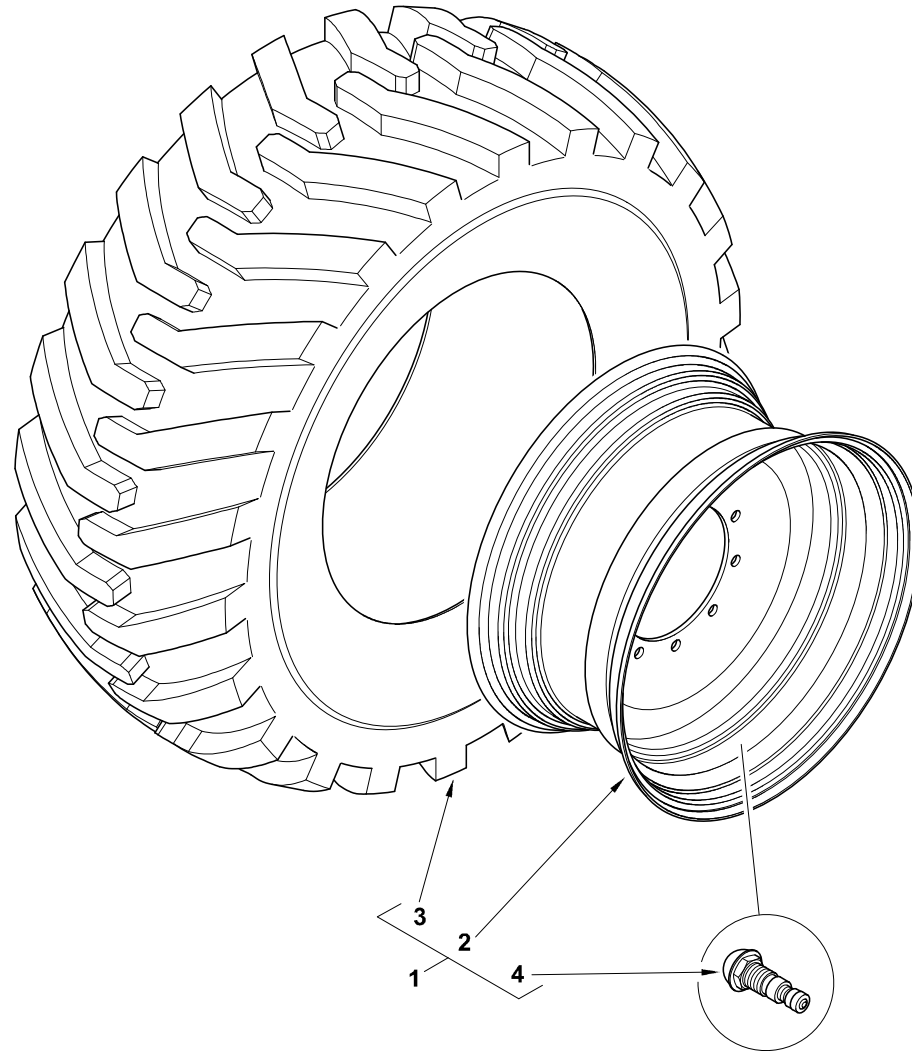
C-15002-01.1-A



Item	Part No.	Qty.	English	French	German	Spanish	Remarks
1	6111461M91Y02	1	Wheel Assy LH	Roue Et Pneu	Rad Mit Bereifg	Rueda, Conj.	Yellow
1	6111462M91Y02	1	Wheel Assy RH	Roue Et Pneu	Rad Mit Bereifg	Rueda, Conj.	Yellow
1	6111462M91W01	1	Wheel Assy RH	Roue Et Pneu	Rad Mit Bereifg	Rueda, Conj.	White
1	6111461M91W01	1	Wheel Assy LH	Roue Et Pneu	Rad Mit Bereifg	Rueda, Conj.	White
2	6111376M91	1	Wheel Assy (13 X 20)	Roue	Rad	Rueda	
3	6110755M1	1	Tyre - Mitas 16/70 X 20 14p Tr-09 Ind	Pneu	Reifen	Neumático	
4	842537M1	1	Valve Wheel Boa	Soupape	Ventilspindel	Válvula De In•ado	

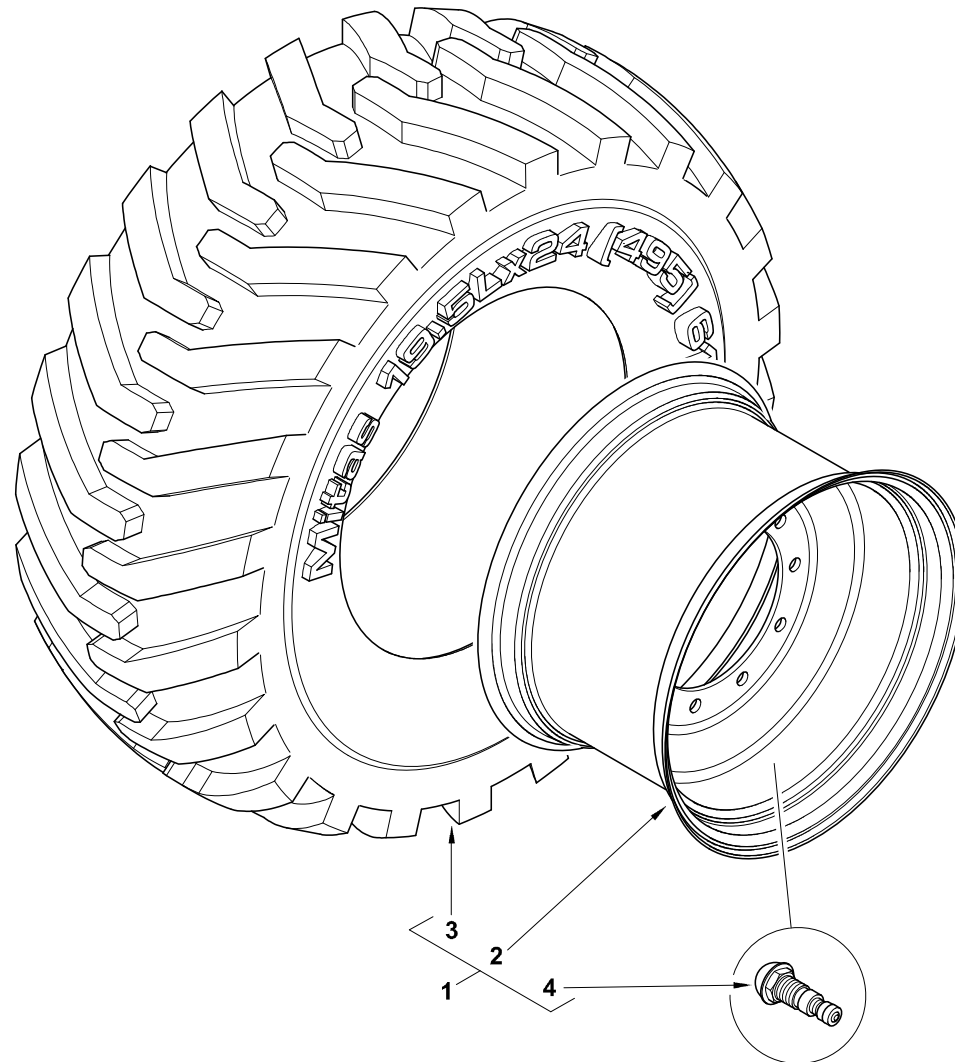


C-15002-02.1-A



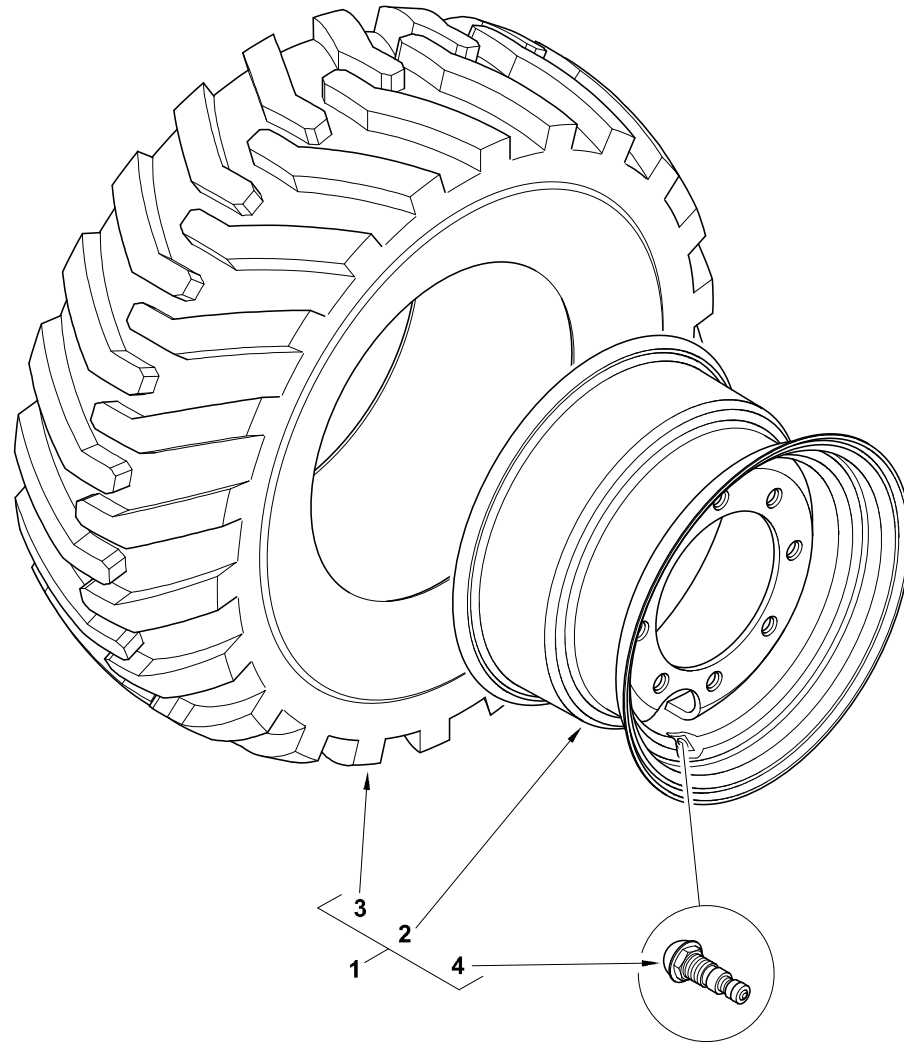
Item	Part No.	Qty.	English	French	German	Spanish	Remarks
1	6110750M91W01	1	Wheel Assy RH	Roue Et Pneu	Rad Mit Bereifg	Rueda, Conj.	White
1	6110750M91Y02	1	Wheel Assy RH	Roue Et Pneu	Rad Mit Bereifg	Rueda, Conj.	Yellow
1	6110749M91Y02	1	Wheel Assy LH	Roue Et Pneu	Rad Mit Bereifg	Rueda, Conj.	Yellow
1	6110749M91W01	1	Wheel Assy LH	Roue Et Pneu	Rad Mit Bereifg	Rueda, Conj.	White
2	6103191M91	1	Wheel-Dw15l X 30	Roue	Rad	Llanta	
3	6110761M1	1	Tyre - Mitas 16.9 X 30 14p Ti-09 Ind	Pneu	Reifen	Neumático	
4	842537M1	1	Valve Wheel Boa	Soupape	Ventilspindel	Válvula De In•ado	

C-15003-02.1-A



Item	Part No.	Qty.	English	French	German	Spanish	Remarks
1	6110752M91W01	1	Wheel Assy RH	Roue Et Pneu	Rad Mit Bereifg	Rueda, Conj.	
1	6110752M91Y02	1	Wheel Assy RH	Roue Et Pneu	Rad Mit Bereifg	Rueda, Conj.	
1	6110751M91Y02	1	Wheel Assy LH	Roue Et Pneu	Rad Mit Bereifg	Rueda, Conj.	
1	6110751M91W01	1	Wheel Assy LH	Roue Et Pneu	Rad Mit Bereifg	Rueda, Conj.	
2	6110762M1	1	Tyre - Mitas 19.5I-24 12pr Ti-05 Ind	Pneu	Reifen	Neumático	
2	6103185M91W01	1	Wheel Rim Assy W15I X 24 (Terex White)	Roue	Rad	Rueda	
3	6103185M91Y02	1	Wheel Rim Assy W15I X 24	Roue	Rad	Rueda	
3	6110762M1	1	Tyre - Mitas 19.5I-24 12pr Ti-05 Ind	Pneu	Reifen	Neumático	
4	842537M1	1	Valve Wheel Boa	Soupape	Ventilspindel	Válvula De In•ado	

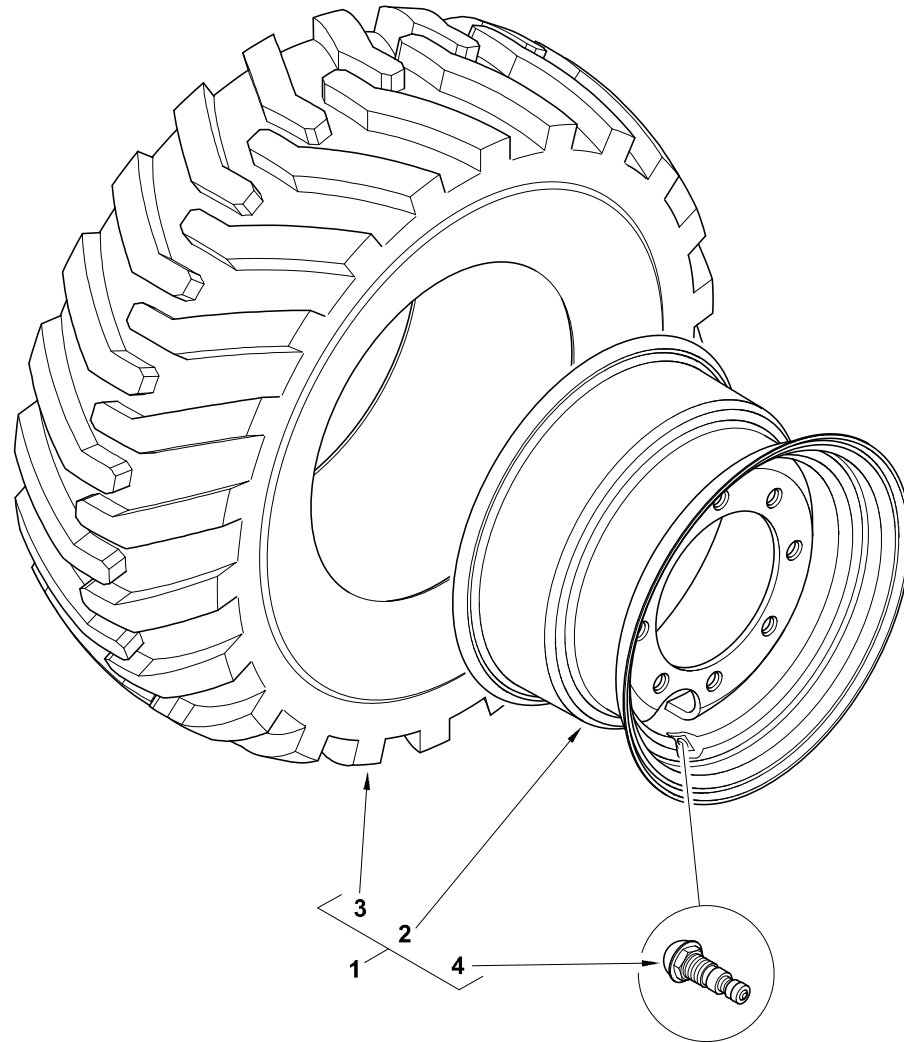
C-15003-01.1-A



Item	Part No.	Qty.	English	French	German	Spanish	Remarks
1	6111475M91Y02	1	Wheel Assy LH	Roue Et Pneu	Rad Mit Bereifg	Rueda, Conj.	
1	6111476M91Y02	1	Wheel Assy RH	Roue Et Pneu	Rad Mit Bereifg	Rueda, Conj.	
1	6111476M91W01	1	Wheel Assy RH	Roue Et Pneu	Rad Mit Bereifg	Rueda, Conj.	
1	6111475M91W01	1	Wheel Assy LH	Roue Et Pneu	Rad Mit Bereifg	Rueda, Conj.	
2	6111445M91	1	Wheel Assy (11 X 18)	Roue	Rad	Rueda	
3	6110756M1	1	Tyre - Mitas 12.5/80-18 12pr Tr-09 Ind	Pneu	Reifen	Neumático	
4	842537M1	1	Valve Wheel Boa	Soupape	Ventilspindel	Válvula De In•ado	



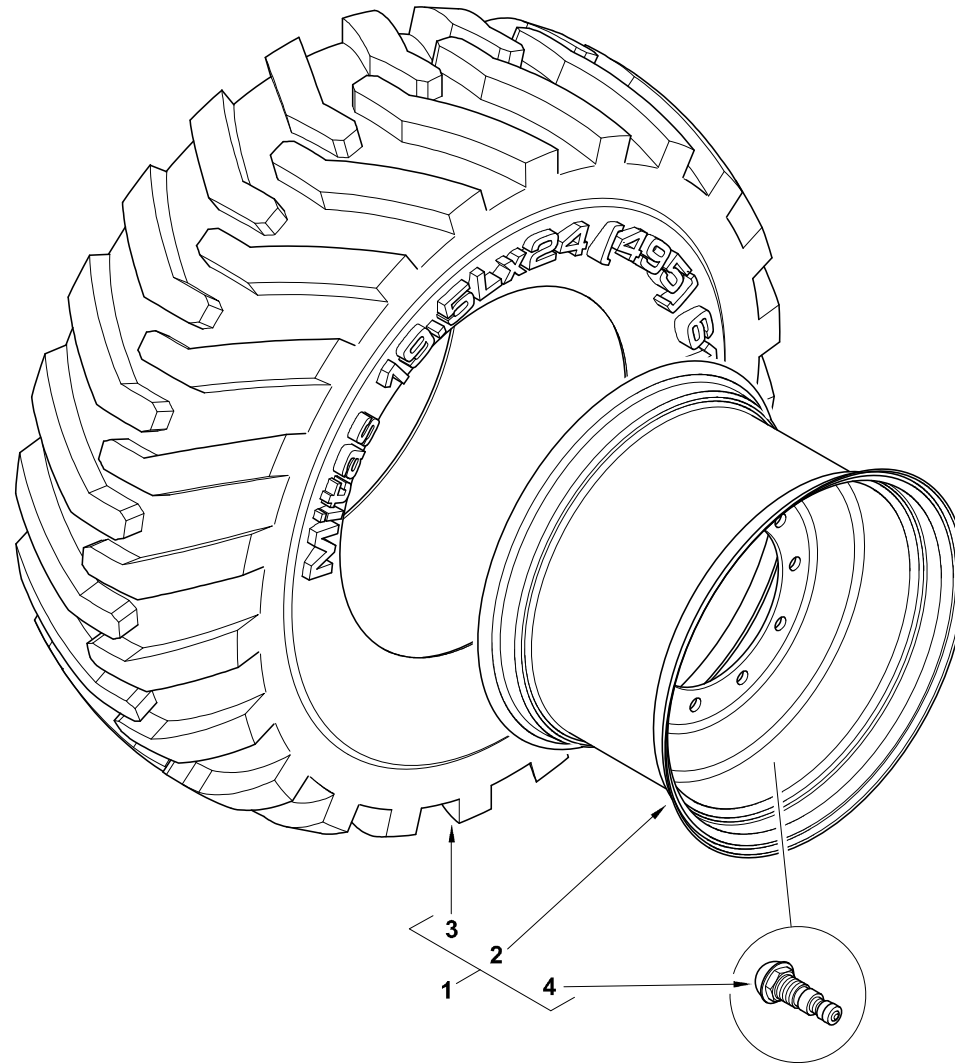
C-15003-01.1-A



Item	Part No.	Qty.	English	French	German	Spanish	Remarks
1	6111475M91Y02	1	Wheel Assy LH	Roue Et Pneu	Rad Mit Bereifg	Rueda, Conj.	
1	6111476M91Y02	1	Wheel Assy RH	Roue Et Pneu	Rad Mit Bereifg	Rueda, Conj.	
1	6111476M91W01	1	Wheel Assy RH	Roue Et Pneu	Rad Mit Bereifg	Rueda, Conj.	
1	6111475M91W01	1	Wheel Assy LH	Roue Et Pneu	Rad Mit Bereifg	Rueda, Conj.	
2	6111445M91	1	Wheel Assy (11 X 18)	Roue	Rad	Rueda	
3	6110756M1	1	Tyre - Mitas 12.5/80-18 12pr Tr-09 Ind	Pneu	Reifen	Neumático	
4	842537M1	1	Valve Wheel Boa	Soupape	Ventilspindel	Válvula De In•ado	



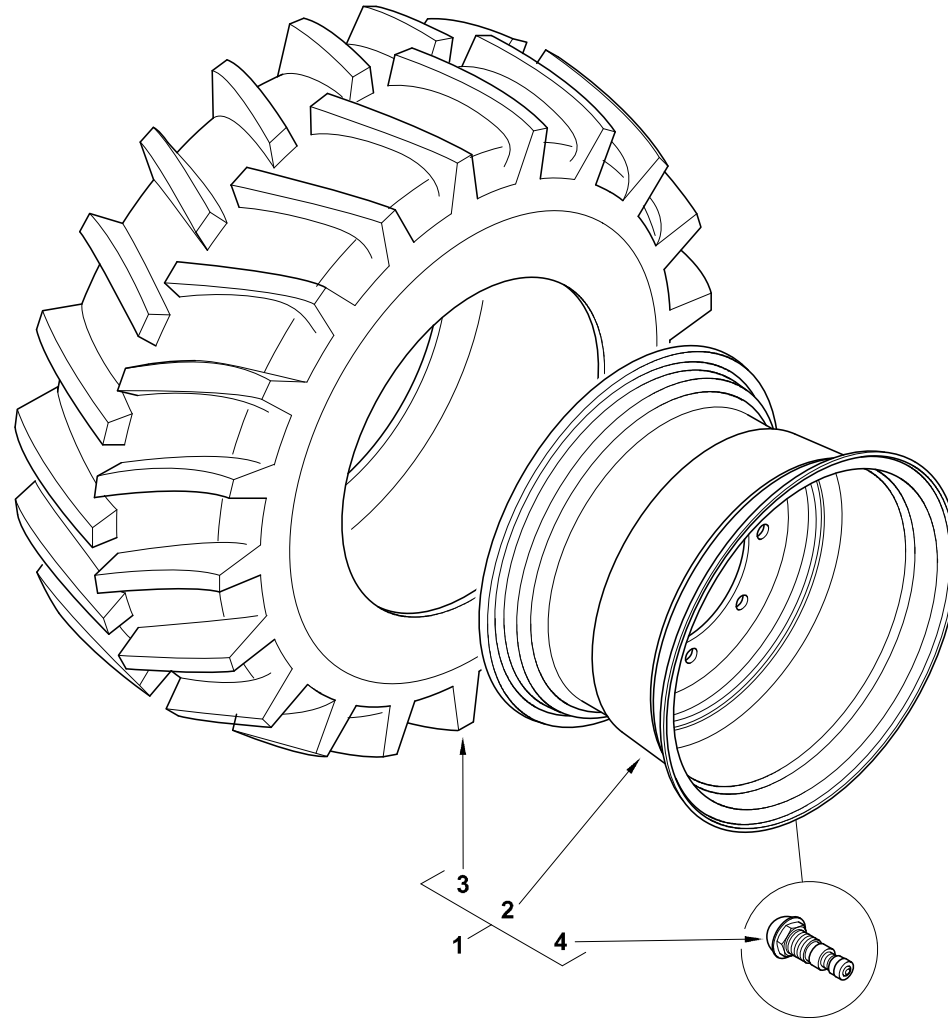
C-15003-02.1-A



Item	Part No.	Qty.	English	French	German	Spanish	Remarks
1	6110752M91W01	1	Wheel Assy RH	Roue Et Pneu	Rad Mit Bereifg	Rueda, Conj.	
1	6110752M91Y02	1	Wheel Assy RH	Roue Et Pneu	Rad Mit Bereifg	Rueda, Conj.	
1	6110751M91Y02	1	Wheel Assy LH	Roue Et Pneu	Rad Mit Bereifg	Rueda, Conj.	
1	6110751M91W01	1	Wheel Assy LH	Roue Et Pneu	Rad Mit Bereifg	Rueda, Conj.	
2	6110762M1	1	Tyre - Mitas 19.5I-24 12pr Ti-05 Ind	Pneu	Reifen	Neumático	
2	6103185M91W01	1	Wheel Rim Assy W15I X 24 (Terex White)	Roue	Rad	Rueda	
3	6103185M91Y02	1	Wheel Rim Assy W15I X 24	Roue	Rad	Rueda	
3	6110762M1	1	Tyre - Mitas 19.5I-24 12pr Ti-05 Ind	Pneu	Reifen	Neumático	
4	842537M1	1	Valve Wheel Boa	Soupape	Ventilspindel	Válvula De In•ado	



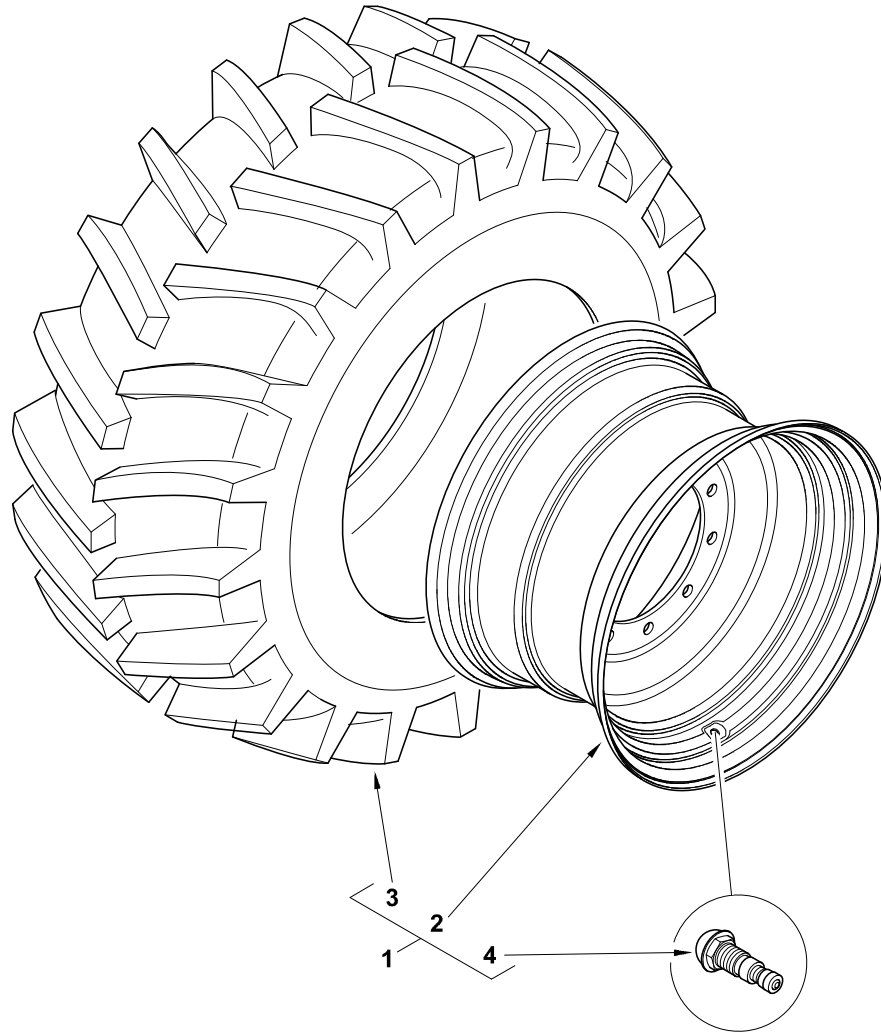
C-15004-01.1-A



Item	Part No.	Qty.	English	French	German	Spanish	Remarks
1	6111463M91Y02	1	Wheel Assy LH	Roue Et Pneu	Rad Mit Bereifg	Rueda, Conj.	
1	6111464M91Y02	1	Wheel Assy RH	Roue Et Pneu	Rad Mit Bereifg	Rueda, Conj.	
1	6111464M91W01	1	Wheel Assy RH	Roue Et Pneu	Rad Mit Bereifg	Rueda, Conj.	
1	6111463M91W01	1	Wheel Assy LH	Roue Et Pneu	Rad Mit Bereifg	Rueda, Conj.	
2	6111376M91	1	Wheel Assy (13 X 20)	Roue	Rad	Rueda	
3	6110757M1	1	Tyre - Mitas 405/70 X 20 14p Mpt01 Ag	Pneu	Reifen	Neumático	
4	842537M1	1	Valve Wheel Boa	Soupape	Ventilspindel	Válvula De In•ado	



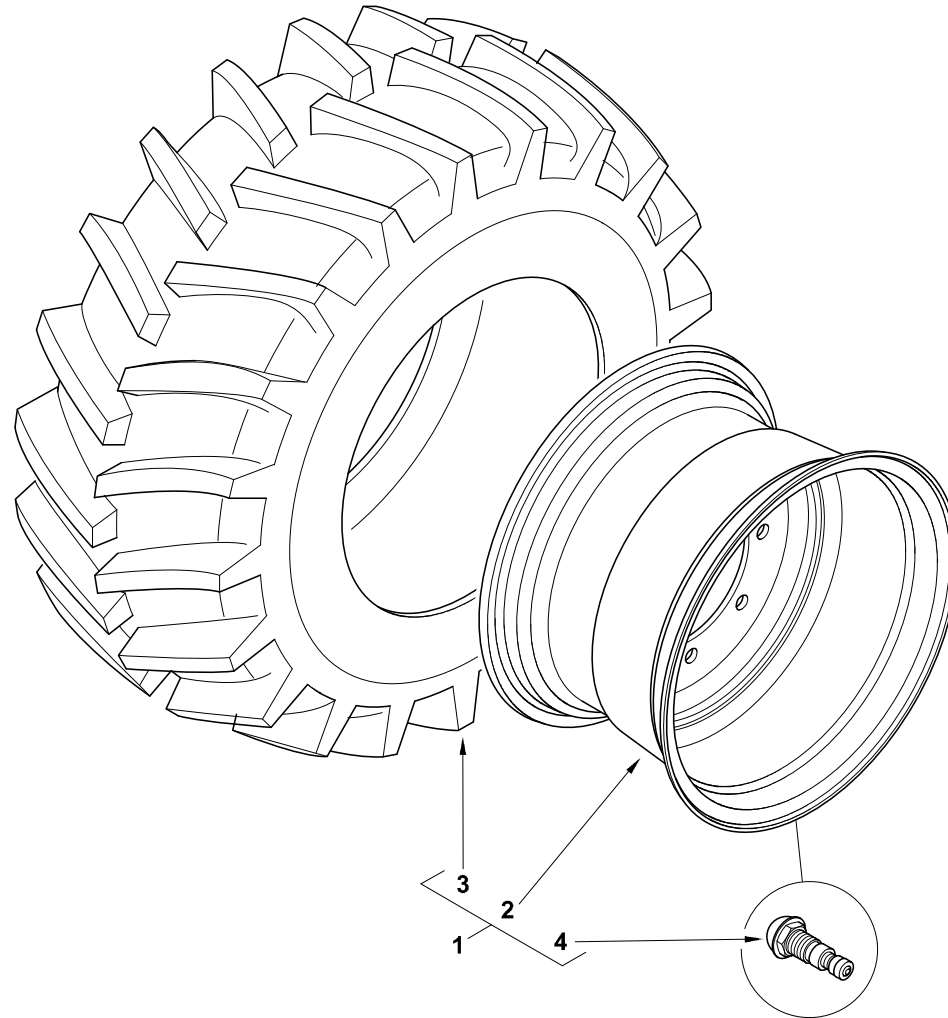
C-15004-02.1-A



Item	Part No.	Qty.	English	French	German	Spanish	Remarks
1	6110748M91W01	1	Wheel Assy RH	Roue Et Pneu	Rad Mit Bereifg	Rueda, Conj.	
1	6110748M91Y02	1	Wheel Assy RH	Roue Et Pneu	Rad Mit Bereifg	Rueda, Conj.	
1	6110747M91Y02	1	Wheel Assy LH	Roue Et Pneu	Rad Mit Bereifg	Rueda, Conj.	
1	6110747M91W01	1	Wheel Assy LH	Roue Et Pneu	Rad Mit Bereifg	Rueda, Conj.	
2	6103187M91	1	Wheel-Dw16l X 26	Roue	Rad	Llanta	
3	6110760M1	1	Tyre - Mitas 18.4 X 26 Td 12pr TI	Pneu	Reifen	Neumático	
4	842537M1	1	Valve Wheel Boa	Soupape	Ventilspindel	Válvula De In•ado	



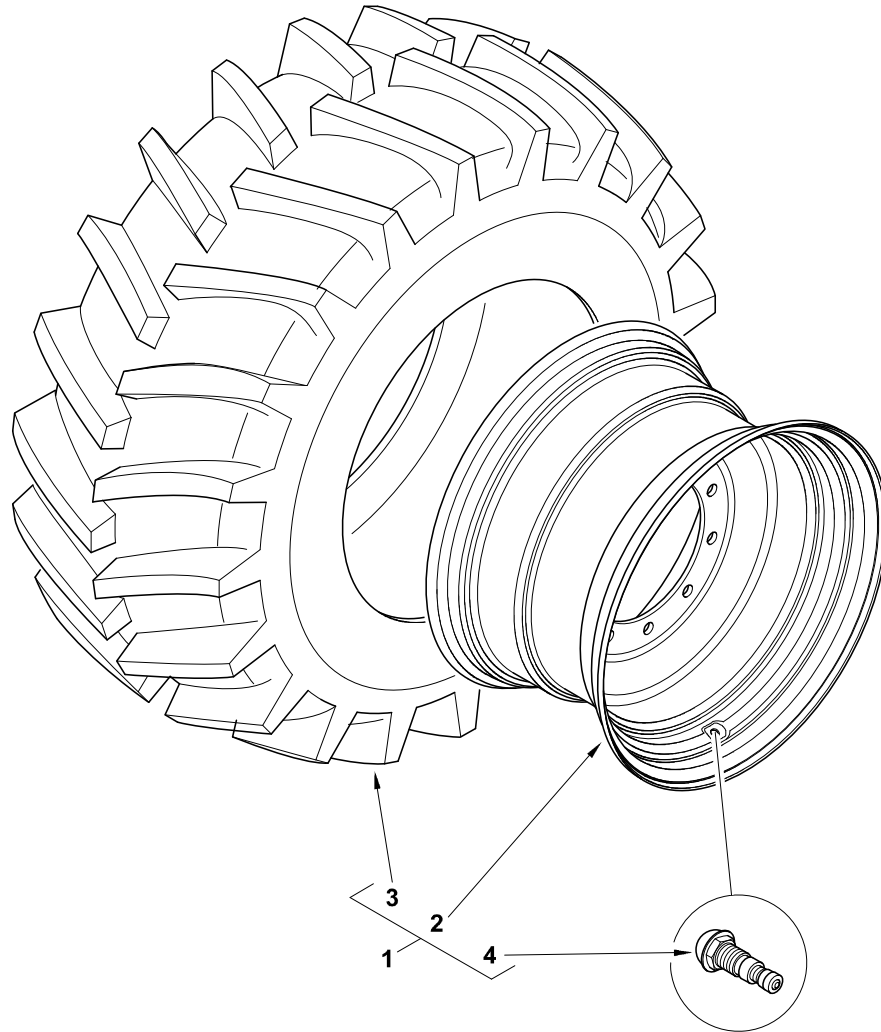
C-15004-01.1-A



Item	Part No.	Qty.	English	French	German	Spanish	Remarks
1	6111463M91Y02	1	Wheel Assy LH	Roue Et Pneu	Rad Mit Bereifg	Rueda, Conj.	
1	6111464M91Y02	1	Wheel Assy RH	Roue Et Pneu	Rad Mit Bereifg	Rueda, Conj.	
1	6111464M91W01	1	Wheel Assy RH	Roue Et Pneu	Rad Mit Bereifg	Rueda, Conj.	
1	6111463M91W01	1	Wheel Assy LH	Roue Et Pneu	Rad Mit Bereifg	Rueda, Conj.	
2	6111376M91	1	Wheel Assy (13 X 20)	Roue	Rad	Rueda	
3	6110757M1	1	Tyre - Mitas 405/70 X 20 14p Mpt01 Ag	Pneu	Reifen	Neumático	
4	842537M1	1	Valve Wheel Boa	Soupape	Ventilspindel	Válvula De In•ado	



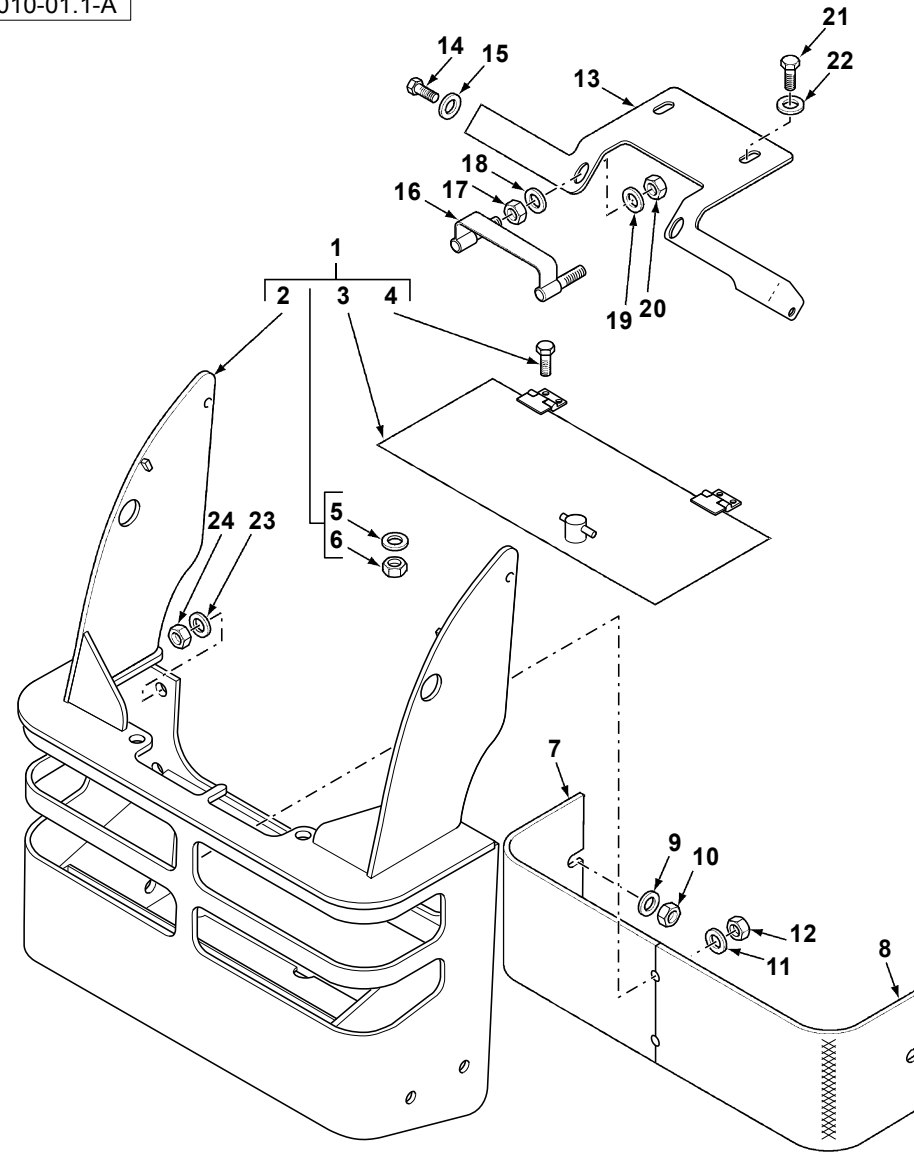
C-15004-02.1-A



Item	Part No.	Qty.	English	French	German	Spanish	Remarks
1	6110748M91W01	1	Wheel Assy RH	Roue Et Pneu	Rad Mit Bereifg	Rueda, Conj.	
1	6110748M91Y02	1	Wheel Assy RH	Roue Et Pneu	Rad Mit Bereifg	Rueda, Conj.	
1	6110747M91Y02	1	Wheel Assy LH	Roue Et Pneu	Rad Mit Bereifg	Rueda, Conj.	
1	6110747M91W01	1	Wheel Assy LH	Roue Et Pneu	Rad Mit Bereifg	Rueda, Conj.	
2	6103187M91	1	Wheel-Dw16l X 26	Roue	Rad	Llanta	
3	6110760M1	1	Tyre - Mitas 18.4 X 26 Td 12pr TI	Pneu	Reifen	Neumático	
4	842537M1	1	Valve Wheel Boa	Soupape	Ventilspindel	Válvula De In•ado	



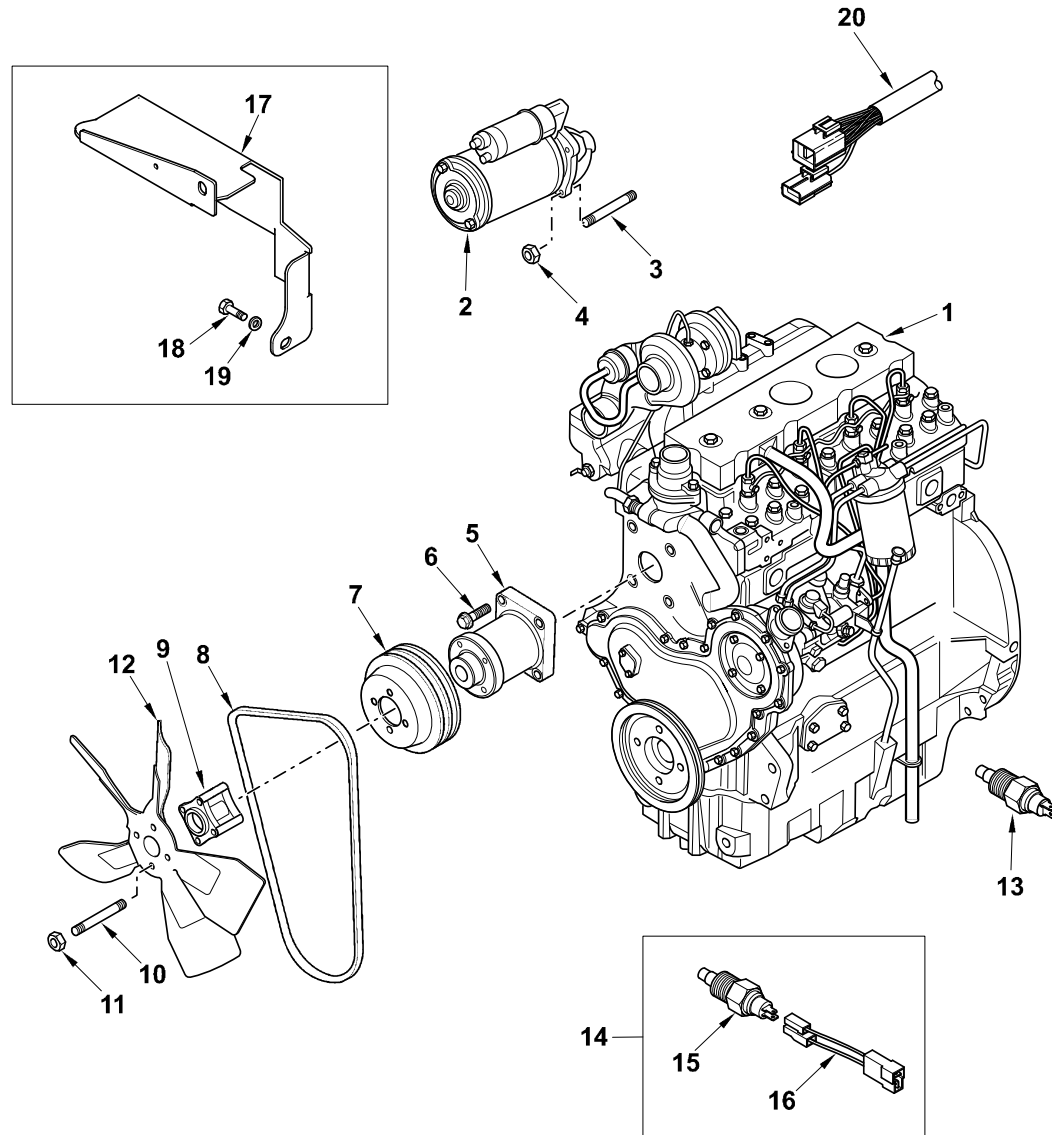
C-20010-01.1-A



Item	Part No.	Qty.	English	French	German	Spanish	Remarks
1	6110105M91	1	Hardnose Assembly	Embout Stellité	Schnauze	Carcasa Rígida	
2	#FRAME	1	Frame	Frame	Frame	Frame	Ref. 1
3	6110134M91	1	Flap Toolbox - W/Assy	Ensemble De Couvercle	Abdeckung Kplt	Tapa, Conj.	
4	339666X1	4	Bolt M6-20 Z5f	Boulon M6 X 20	Maschschraube Metr M	Tornillo	
5	390971X1	4	Washer M6-12-1 Zwl	Rondelle - M6	Scheibe - M6	Arandela	
6	1441500X1	4	Nut M6 Z5 Nyloc	Ecrou	Flachmutter M6	Tuerca De Retención	
7	6110138M2	1	Grille	Calandre	Grillgitter	Rejilla	
8	6110136M92	1	Grille W/Assy	Grille	Grill	Rejilla	
9	390972X1	2	Washer M8-17-1 Zwl	Rondelle M8	Scheibe - M8	Arandela	
10	394367X1	2	Nut, Hex. - Nyloc, M8	Ecrou Blocage M8	Flachmutter - M8	Tuerca De Retención	
11	390972X1	1	Washer M8-17-1 Zwl	Rondelle M8	Scheibe - M8	Arandela	
12	394367X1	1	Nut, Hex. - Nyloc, M8	Ecrou Blocage M8	Flachmutter - M8	Tuerca De Retención	
13	6109350M91	1	Bracket-Cooler Support	Ensemble De Support	Haltevorrichtung Kpl.	Apoyadero, Conj.	
14	3009493X1	2	Bolt M10-30 Z5c	Boulon M10 X 30	Maschschraube M10	Perno	
15	390734X1	2	Washer M10-21-2 Z	Rondelle - M10	Unterlegscheibe	Arandela	
16	6109686M92	1	Latch W/Assy	Ensemble De Verrou	Riegel Kpl.	Cerrojo, Conj.	
17	339169X1	2	Nut, Hex. - M8, Coarse	Ecrou Métrique	Mutter Metrisch	Tuerca	
18	390972X1	2	Washer M8-17-1 Zwl	Rondelle M8	Scheibe - M8	Arandela	
19	390972X1	2	Washer M8-17-1 Zwl	Rondelle M8	Scheibe - M8	Arandela	
20	339169X1	2	Nut, Hex. - M8, Coarse	Ecrou Métrique	Mutter Metrisch	Tuerca	
21	339123X1	2	Bolt M8-20 Z5f	Boulon M8 X 20	Maschschraube M8	Perno	
22	390972X1	2	Washer M8-17-1 Zwl	Rondelle M8	Scheibe - M8	Arandela	
23	3019575X1	4	Washer M16 Hardened	Rondelle	Scheibe	Arandela	
24	339034X1	4	Nut, Hex. - M16, Coarse, Grade 8	Ecrou Métrique	Mutter Metrisch	Tuerca	



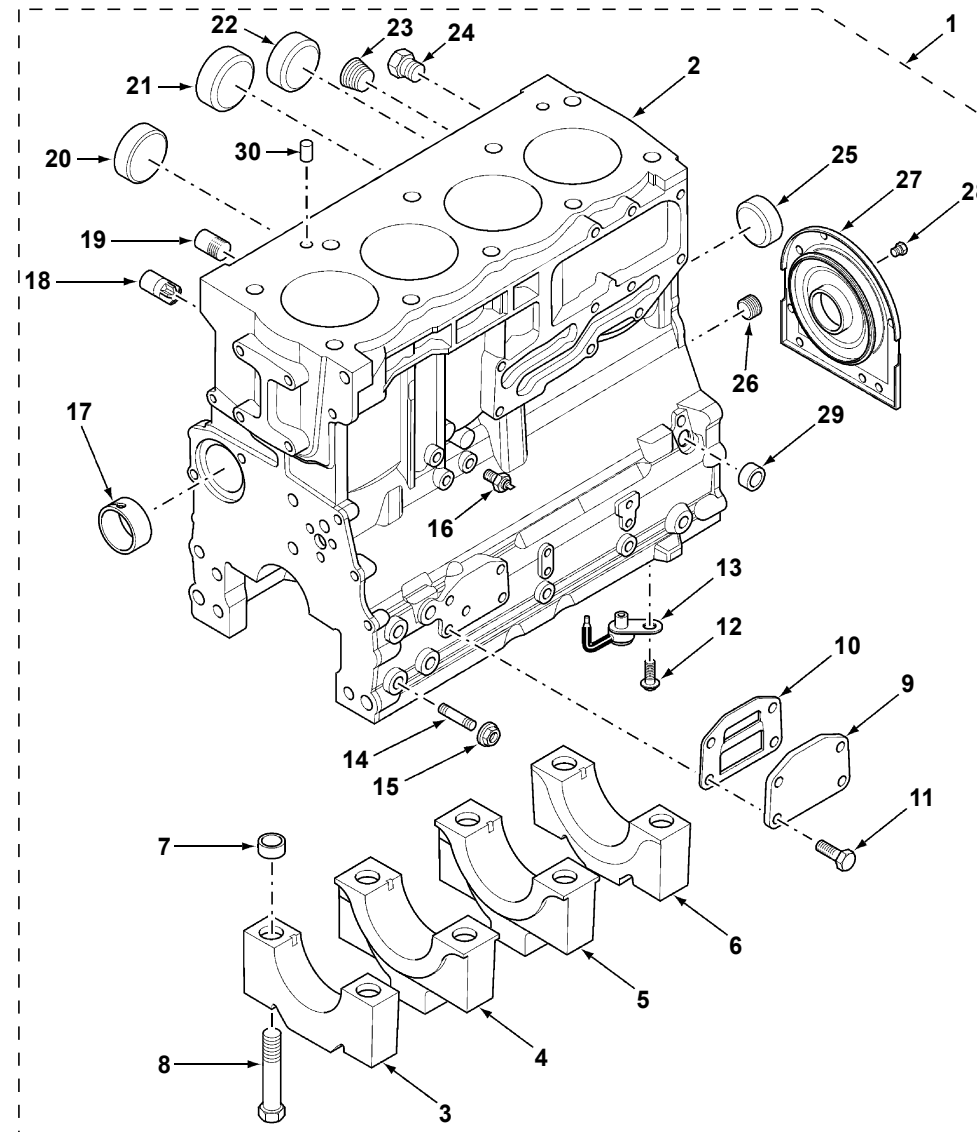
C-21012-01.1-E



Item	Part No.	Qty.	English	French	German	Spanish	Remarks
1	6110150M91	1	Engine-100hp Green No Air Con	Ensemble De Moteur Thermique	Dieselmotor Kpl.	Motor Térmico, Conj.	
2	2873K404	1	Starter Motor	Demarreur	Anlasser	Arrancador	
3	2313C078	3	Stud	Goujon	Stehbolzen	Espárrago	
4	2318A604	3	Nut	Ecrou	Mutter	Tuerca	
5	4113K005	1	Housing - Fan Drive	Carter	Gehäuse	Cárter, Conj.	
6	2314J005	4	Bolt	Goupille	Bolzen	Perno	
7	3115C113	1	Pulley - Fan	Poulie Ventil.	Rs, Lüfter	Polea	
8	2614B650	2	Belts - Matched Pair (2)	Courroie	Keilrlüfter	Correa Trapezoidal	
9	3748W223	1	Fan Spacer	Rallonge	Verlängerung	Extensión	
10	2313H229	4	Stud	Goujon	Stehbolzen	Espárrago	
11	2318D208	4	Nut	Ecrou	Mutter	Tuerca	
12	6110111M91	1	Fan 20"	Ventilateur	Lüfter	Ventilador	
13	6110563M91	1	Water Temperature Sender / Switch	Capteur	Sensor	Captador	Ref. 14
14	#KIT, PARTS	1	Kit, Parts	Kit, Parts	Kit, Parts	Kit, Parts	Ref. 13
15	6111886M91	1	Water Temperature Sender/Switch	Capteur	Sensor	Captador	
16	6111830M91	1	Adaptor Harness	Faisceau	Kabelbaum	Haz	
17	6111448M1	1	Plate - De•ector	Dé•ecteur	Abweisblech	De•ector	
18	3009491X1	2	Bolt M10 X 20	Boulon	Maschschraube M10	Tornillo	
19	390734X1	2	Washer M10-21-2 Z	Rondelle - M10	Unterlegscheibe	Arandela	
20	6112297M91	1	Harness - Engine (No Aircon)	Faisceau	Beschirrung	Haz, Conj.	Ec06/395



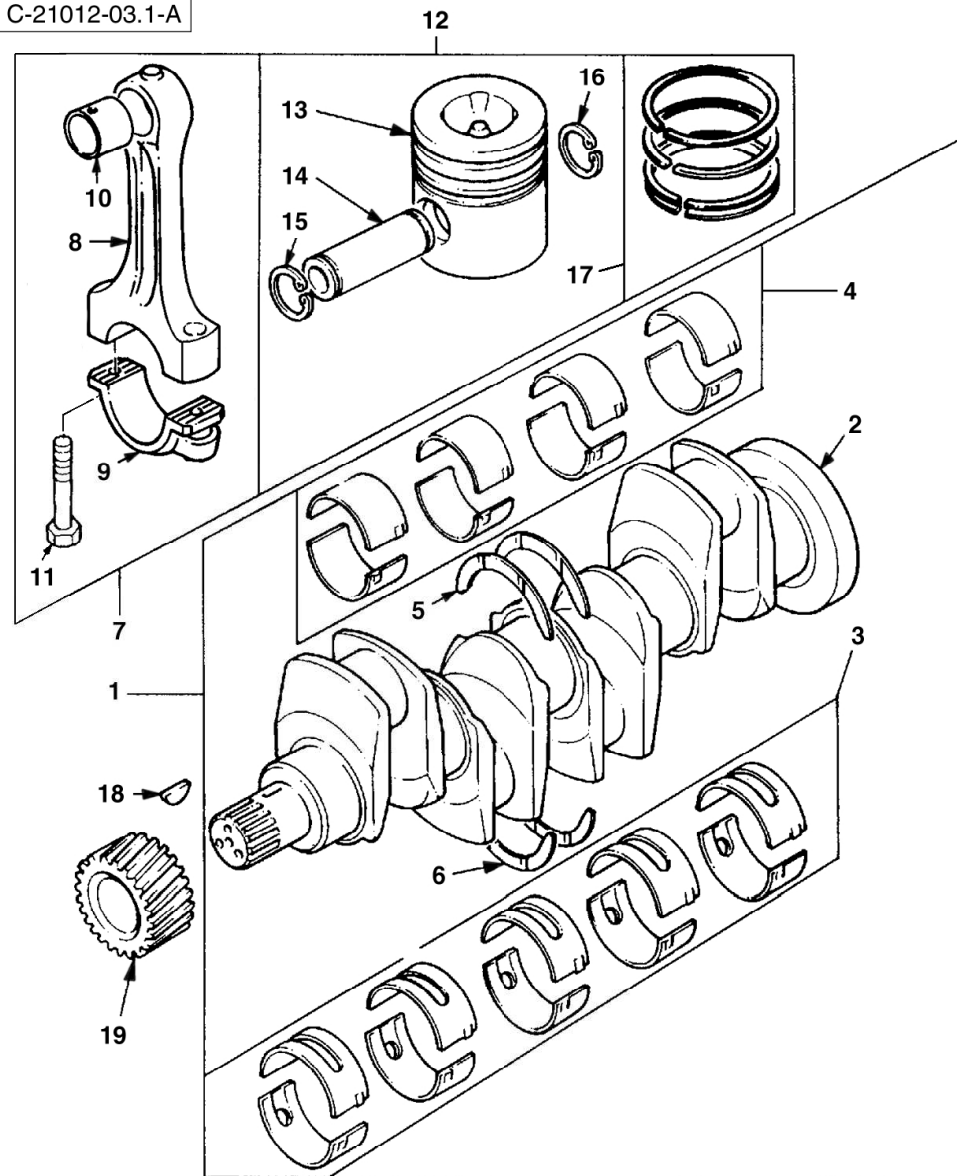
C-21012-02.1-A



Item	Part No.	Qty.	English	French	German	Spanish	Remarks
1	ZZ50311	1	Kit - Cylinder Block	Bloc Cylindres	Motorblock	Bloque Cilindros	
2	#BLOCK, CYLINDER	1	Block, Cylinder	Block, Cylindre	Block, Cylinder	Block, Cylinder	Ref. 1
3	#BEARING, SUPPORT	1	Bearing, Support	Bearing, Support	Bearing, Support	Bearing, Support	Ref. 1
4	#BEARING, SUPPORT	2	Bearing, Support	Bearing, Support	Bearing, Support	Bearing, Support	Ref. 1
5	#BEARING, SUPPORT	1	Bearing, Support	Bearing, Support	Bearing, Support	Bearing, Support	Ref. 1
6	#BEARING, SUPPORT	1	Bearing, Support	Bearing, Support	Bearing, Support	Bearing, Support	Ref. 1
7	33142111	10	Thimble	Cosse	Muffe	Anillo De Centrado	
8	32166329	10	Screw	Vis	Schraube	Tornillo	
9	3623A009	1	Plate - Blanking	Plaque	Platte	Placa	
10	3688A039	1	Joint	Joint Plat	Dichtung	Articulación	
11	2314H033	4	Screw	Vis	Schraube	Tornillo	
12	2314F001	4	Screw	Vis	Schraube	Tornillo	
13	2113A001	4	Piston : Cooling Jet - Nla	Refroidisseur	Kühler	Enfriador	
14	2313M101	8	Eng/Mt Studs P/Kins 35mm	Goujon	Stehbolzen	Espárrago	
15	2318A605	8	Eng/Mt Nuts	Ecrou	Sechskantmutter	Tuerca	
16	2848062	1	Oil Pressure Switch	Sonde	Messfühler	Sonda	
17	3112D071	1	Bush - Camshaft	Douille	Büchse	Casquillo	
18	3212V006	1	Plug	Bouchon	Stopfen	Tapón	
19	3212V005	1	Plug	Bouchon	Stopfen	Tapón	
20	2485A108	1	Plug - Blanking	Obturateur	Verschlussstopfen	Tapón De Bloqueo	
21	3241A011	2	Plug	Bouchon	Stopfen	Tapón	
22	0650710	1	Core Plug	Bouchon	Stopfen	Tapon	
23	0650588	1	Plug	Bouchon	Stopfen	Tapon	
24	32141316	2	Plug	Bouchon	Stopfen	Tapón	
25	3241A012	1	Plug	Bouchon	Stopfen	Tapón	
26	3212P008	1	Plug	Bouchon	Stopfen	Tapón	
27	2418F704	1	Housing - Rear Oil Seal	Carter	Gehäuse	Cárter	
28	3211C002	10	Bolt - Metric	Goupille	Bolzen	Perno	
29	2485A109	1	Plug	Bouchon	Stopfen	Tapón	
30	3244A009	2	Dowel	Plot	Zylinderstift	Peón	

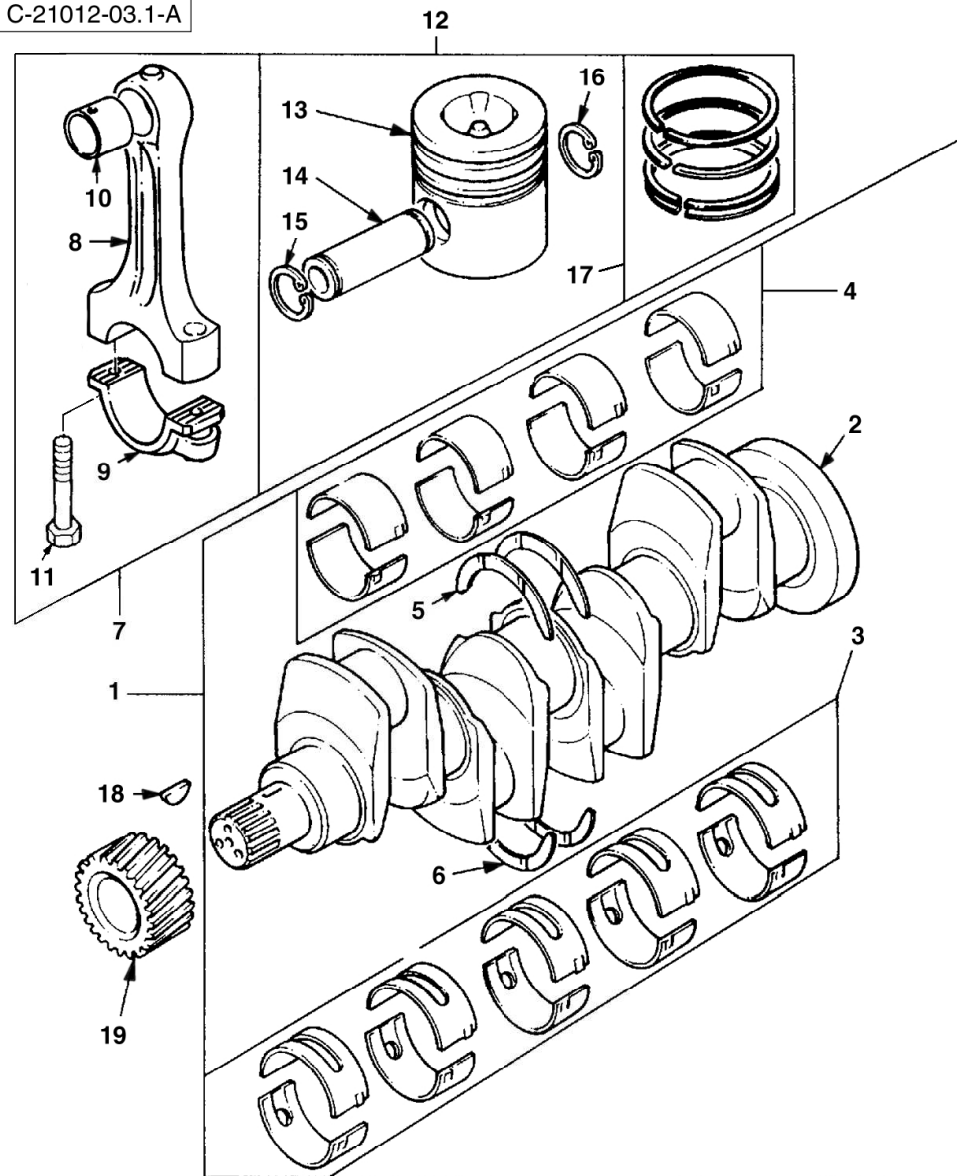


C-21012-03.1-A



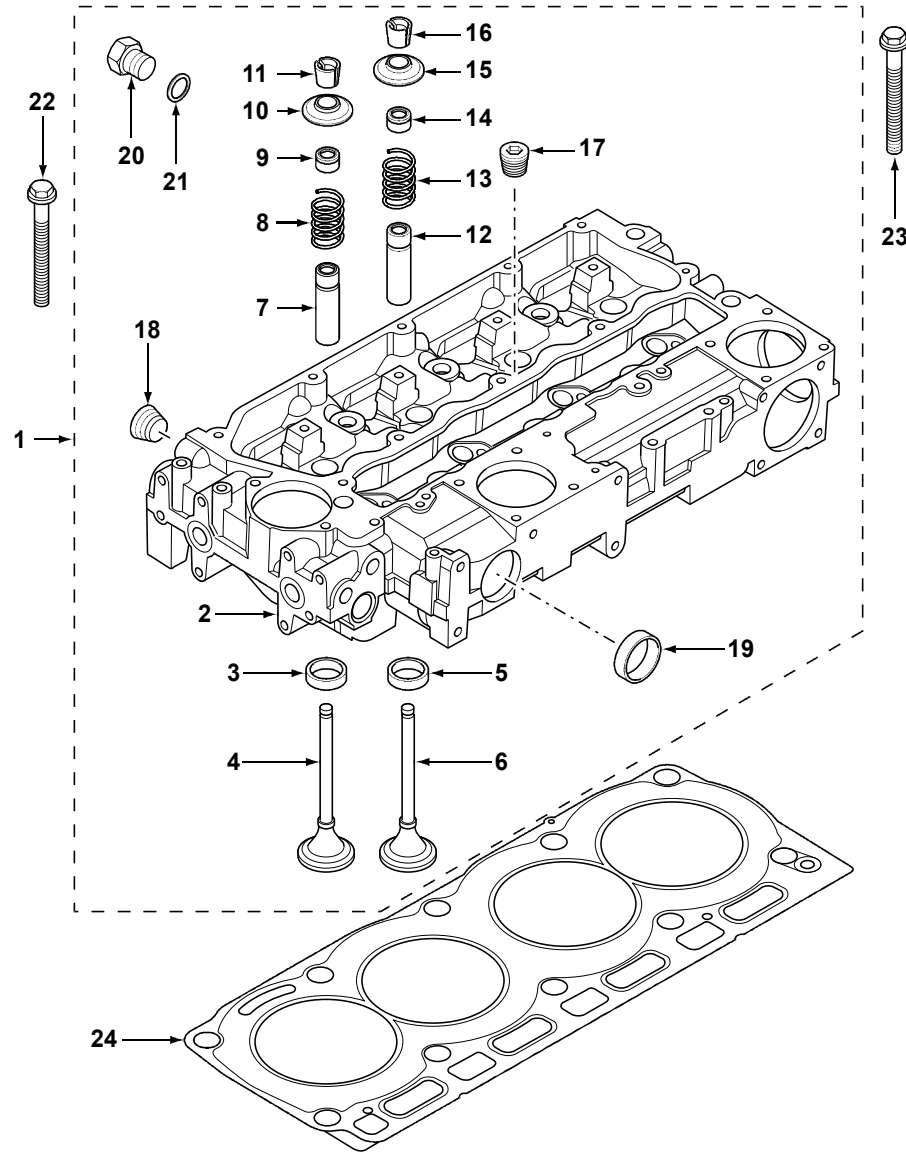
Item	Part No.	Qty.	English	French	German	Spanish	Remarks
1	ZZ90222	1	Kit - Crankshaft	Ensemble Vilebrequin	Kurbelwelle Kpl.	Cigüeñal, Conj.	
2	#CRANKSHAFT	1	Crankshaft	Crankshaft	Crankshaft	Crankshaft	Ref. 1
3	U5MB0018	1	Kit - Main Bearing (Standard)	Jeu Coussinets	Lagersatz	Cojinete De Palier	
3	U5MB0018C	0	Kit - Main Bearing (+)0.030"	Jeu Coussinets	Lagersatz	Cojinete De Palier	
3	U5MB0018B	0	Kit - Main Bearing (+)0.020"	Jeu Coussinets	Lagersatz	Cojinete De Palier	
3	U5MB0018A	0	Kit - Main Bearing (+)0.010"	Jeu Coussinets	Lagersatz	Cojinete De Palier	
4	U5ME0013C	0	Kit - Big End Bearing (+)0.030"	Jeu Coussinets	Lagersatz	Cojinete De Biela	
4	U5ME0013	1	Kit - Big End Bearing (Standard)	Jeu Coussinets	Lagersatz	Cojinete De Biela	
4	U5ME0013B	0	Kit - Big End Bearing (+)0.020"	Jeu Coussinets	Lagersatz	Cojinete De Biela	
4	U5ME0013A	0	Kit - Big End Bearing (+)0.010"	Jeu Coussinets	Lagersatz	Cojinete De Biela	
5	31137312	0	Thrust Washer (+) 0.007"	Rondelle De Butée	Druckscheibe	Calce	
5	31137551	1	Thrust Washer	Rondelle De Butée	Druckscheibe	Calce	
6	31137561	1	Washer - Thrust	Rondelle Butee	Druckscheibe	Calce	
6	31137322	0	Thrust Washer (+) 0.007"	Rondelle De Butée	Druckscheibe	Calce	
7	4115C314	4	Conrod Kit - Grade 'j' (Green)	Ensemble De Bielle	Pleuelstange Kpl.	Biela, Conj.	
7	4115C316	4	Conrod Kit - Grade 'l' (Blue)	Ensemble De Bielle	Pleuelstange Kpl.	Biela, Conj.	
7	4115C315	4	Conrod Kit - Grade 'k' (Purple)	Ensemble De Bielle	Pleuelstange Kpl.	Biela, Conj.	
7	4115C313	4	Conrod Kit - Grade 'h' (White)	Ensemble De Bielle	Pleuelstange Kpl.	Biela, Conj.	
7	4115C312	4	Conrod Kit - Grade 'g' (Orange)	Ensemble De Bielle	Pleuelstange Kpl.	Biela, Conj.	
7	4115C311	4	Conrod Kit - Grade 'f' (Red)	Ensemble De Bielle	Pleuelstange Kpl.	Biela, Conj.	
8	#ROD, CONNECTING	1	Rod, Connecting	Rod, Connecting	Rod, Connecting	Rod, Connecting	Ref. 7
9	#CAP	1	Cap	Chapeau	Kappe	Tapa	Ref. 7
10	3112A005	1	Bush - Small End	Douille	Büchse	Casquillo	
11	3212V003	2	Bolt - Con Rod	Goupille	Bolzen	Perno	
12	4115P015	4	Kit - Piston And Ring	Jeu Segm Piston	Kolbenringsatz	Pistón, Conj.	
13	#PISTON	1	Piston	Piston	Piston	Piston	Ref. 12
14	#PIN	1	Pin	Goupille	Bolzen	Pasador	Ref. 12
15	2721332	1	Circlip - Gudgeon Pin	Segment D'Arrêt	Sicherungsring	Circlip	
16	2721332	1	Circlip - Gudgeon Pin	Segment D'Arrêt	Sicherungsring	Circlip	
17	UPRK0002	1	Kit - Piston Ring	Jeu Segm Piston	Kolbenringsatz	Juego De Segmentos	

C-21012-03.1-A



Item	Part No.	Qty.	English	French	German	Spanish	Remarks
18	0500012	1	Key - Woodruff	Clavette Demi-Lune	Scheibenfeder	Chaveta Media-Luna	
19	3117C221	1	Gear - Crankshaft	Pignon	Zahnrad	Piñón	

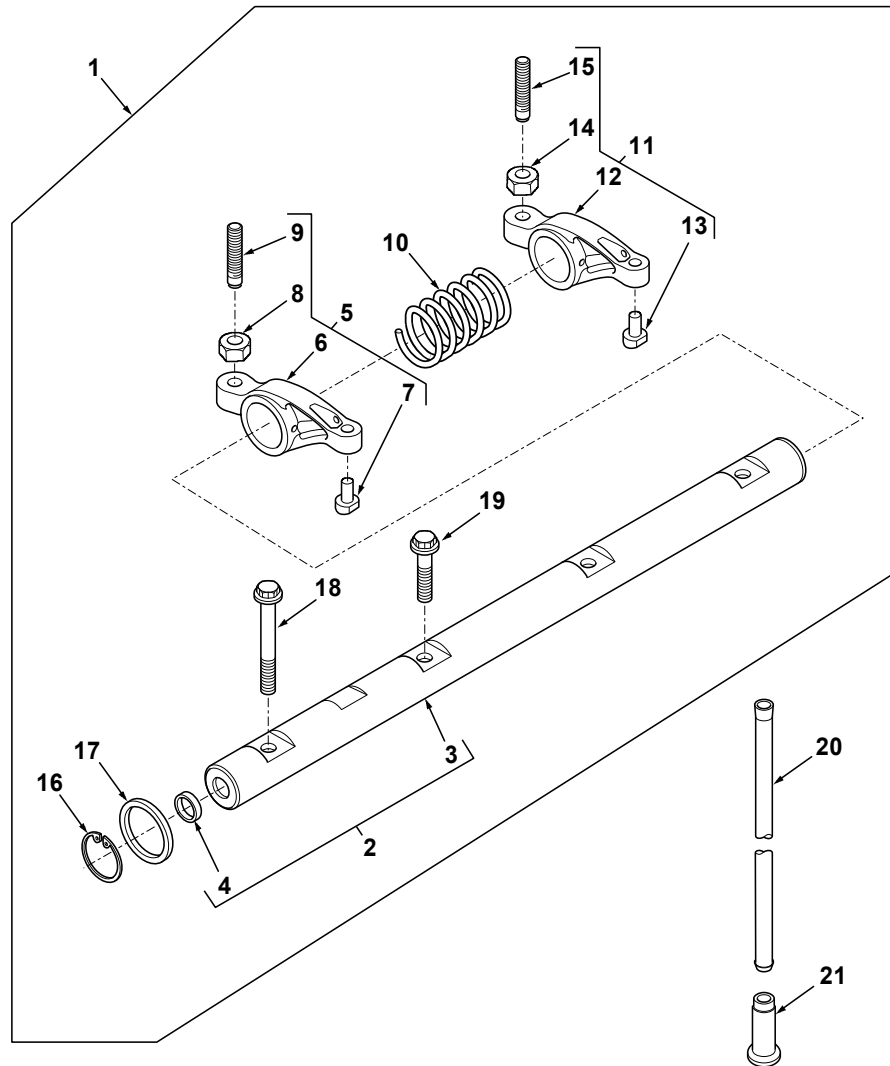
C-21012-04.1-A



Item	Part No.	Qty.	English	French	German	Spanish	Remarks
1	ZZ80268	1	Kit - Cylinder Head	Culasse	Kopf, Zylinder	Culata	
2	#HEAD, CYLINDER	1	Head, Cylinder	Head, Cylinder	Head, Cylinder	Head, Cylinder	Ref. 1
3	3314A151	4	Inlet Valve Insert	Insert	Einsatz	Inserción	
4	3142H071	4	Valve - Inlet	Soupape D'Admission	Einlassventil	Válvula De Admisión	
5	3314A161	4	Exhaust Valve Insert	Insert	Einsatz	Inserción	
6	3142A151	4	Valve - Exhaust	Soupape Echappem.	Auslassventil	Válvula De Escape	
7	3313E021	4	Valve Guide	Guide	Führung	Guía	
8	3174A016	4	Spring - Valve	Ressort, Soupape	Ventilfeder	Muelle, Válvula	
9	2418M514	4	Valve Stem Seal	Jeu Etancheite	Dichtringsatz	Anillo, Estanqueidad	
10	3342A011	4	Valve Cap	Chapeau	Kappe	Sombbrero	
11	3142W004	4	Retainer	Arrêtoir	Befestigungsteil	Fijación	
12	3313E021	4	Valve Guide	Guide	Führung	Guía	
13	3174A016	4	Spring - Valve	Ressort, Soupape	Ventilfeder	Muelle, Válvula	
14	2418M514	4	Valve Stem Seal	Jeu Etancheite	Dichtringsatz	Anillo, Estanqueidad	
15	3342A011	4	Valve Cap	Chapeau	Kappe	Sombbrero	
16	3142W004	4	Retainer	Arrêtoir	Befestigungsteil	Fijación	
17	0650588	4	Plug	Bouchon	Stopfen	Tapon	
18	2431154	1	Plug	Bouchon	Stopfen	Tapón	
19	32416117	2	Plug	Bouchon	Stopfen	Tapón	
20	3278A006	1	Plug	Bouchon	Stopfen	Tapón	
21	2415H003	1	O - Ring	Joint Torique	O-Ring	Junta De Tipo O	
22	3218A011	7	Screw	Vis	Schraube	Perno	
23	3218A012	3	Screw	Vis	Schraube	Perno	
24	3681E046	1	Gasket - Cylinder Head	Joint De Culasse	Dichtung, Zylinderko	Junta De Culata	

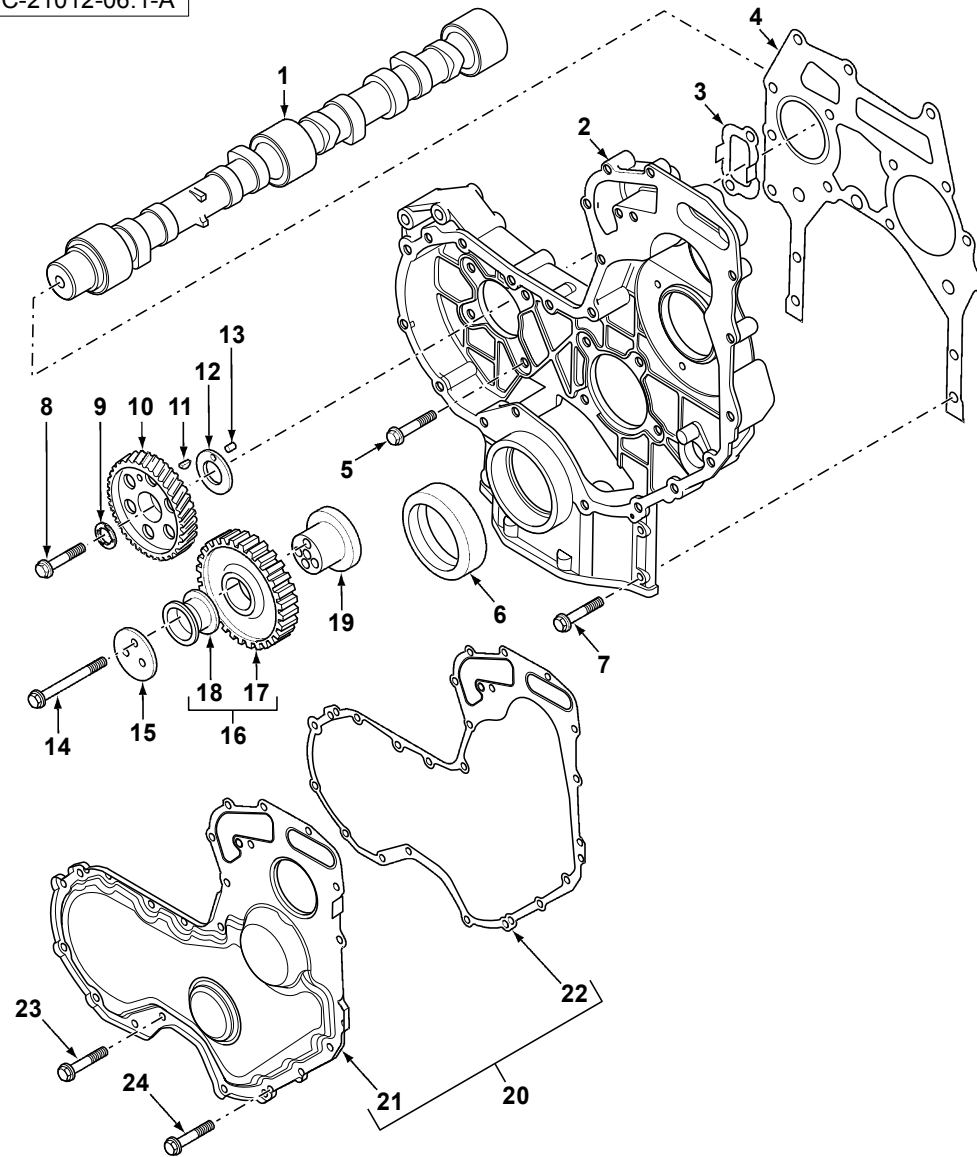


C-21012-05.1-A



Item	Part No.	Qty.	English	French	German	Spanish	Remarks
1	4115R612	1	Rocker Assembly	Ensemble De L'Arbre	Welle Kpl.	Árbol, Conj.	
2	4115R703	1	Rocker Shaft Assembly	Arbre Culbuteurs	Schwingwelle	Árbol, Conj.	
3	#SHAFT	1	Shaft	Shaft	Shaft	Shaft	Ref. 2
4	2485A104	2	Plug	Bouchon	Stopfen	Tapón	
5	4115R314	4	Rocker Arm Assembly	Culbuteur	Ventilhebel	Balancín De Válvula	
6	#ARM	1	Arm	Bras	Arm	Brazo	Ref. 5
7	#PAD	1	Pad	Pad	Pad	Pad	Ref. 5
8	0576052	1	Nut	Ecrou	Mutter	Tuerca	
9	32114145	1	Screw	Vis	Schraube	Tornillo	
10	3174A015	3	Spring - Rocker Shaft	Siège De Ressort	Federsitz	Muelle	
11	4115R315	4	Rocker Arm Assembly	Culbuteur	Ventilhebel	Balancín De Válvula	
12	#ARM	1	Arm	Bras	Arm	Brazo	Ref. 11
13	#PAD	1	Pad	Pad	Pad	Pad	Ref. 11
14	0576052	1	Nut	Ecrou	Mutter	Tuerca	
15	32114145	1	Screw	Vis	Schraube	Tornillo	
16	2722A022	2	Circlip	Segment D'Arrêt	Sicherungsring	Circlip	
17	2134A502	2	Washer	Rondelle	Scheibe	Arandela	
18	2316A901	1	Screw	Vis	Schraube	Tornillo	
19	2316A902	3	Screw	Vis	Schraube	Tornillo	
20	31434307	8	Rod - Push	Tige De Culbuteur	Stange, Stössel-	Varilla	
21	3142U031	8	Cam Follower	Poussoir	Stössel	Pulsador	

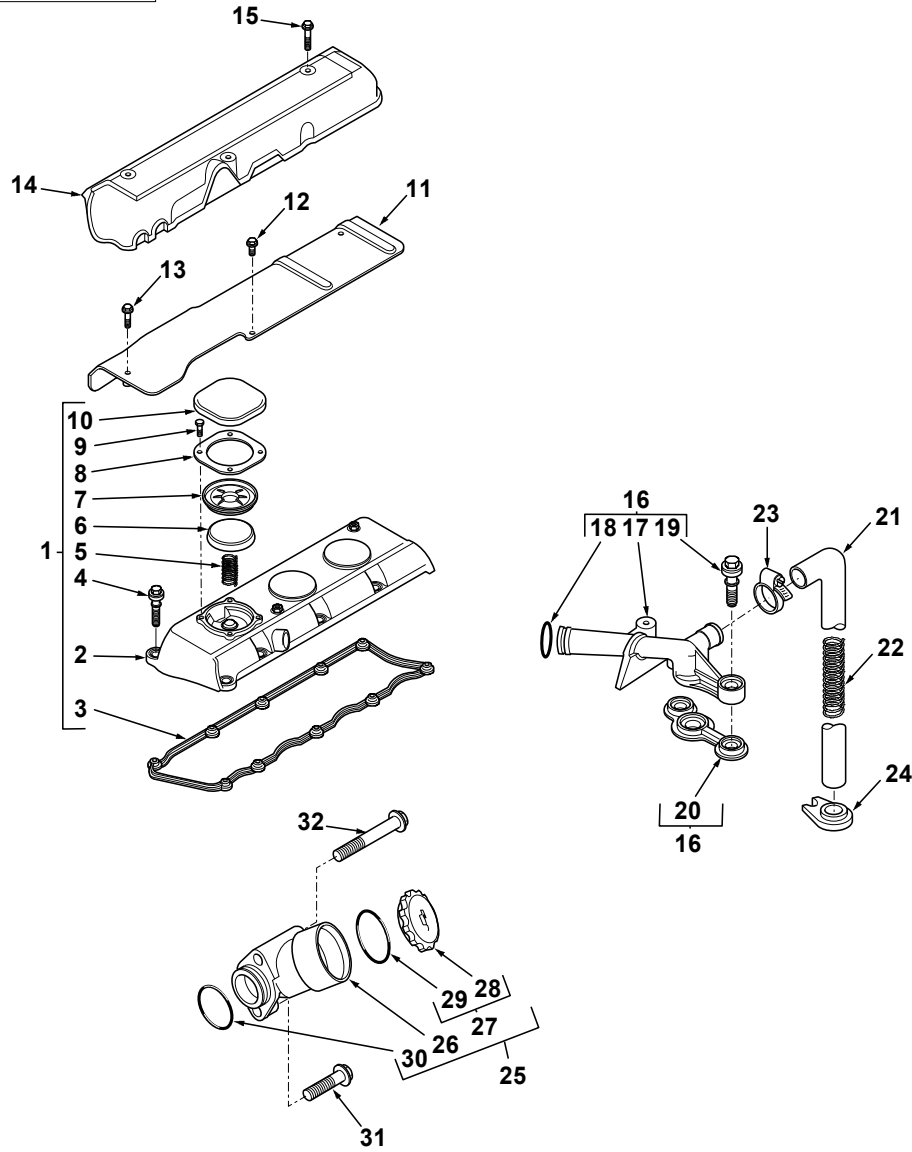
C-21012-06.1-A



Item	Part No.	Qty.	English	French	German	Spanish	Remarks
1	3141D222	1	Camshaft	Arbre A Cames	Nockenwelle	Árbol De Levas	
2	3716C461	1	Case - Timing Gear	Carter	Gehäuse	Cárter	
3	3617V016	1	Joint - Timing Case	Articulation	Verbindung, Gelenk	Articulación	
4	3617V015	1	Joint - Timing Case	Articulation	Verbindung, Gelenk	Articulación	
5	2314H003	8	Hex Bolt - M8 X 20	Goupille	Bolzen	Tornillo	
6	2418F436	1	Oil Seal - Timing Cover	Joint D´Arbre	Wellendichtring	Anillo, Estanqueidad	
7	2314H034	4	Screw	Vis	Schraube	Tornillo	
8	2314J606	1	Camshaft Bolt	Vis	Schraube	Tornillo	
9	3112X011	1	Washer - Thrust	Rondelle De Butée	Druckscheibe	Arandela De Tope	
10	3117N001	1	Gear - Camshaft	Pignon	Zahnrad	Piñón	
11	0500012	1	Key - Woodruff	Clavette Demi-Lune	Scheibenfeder	Chaveta Media-Luna	
12	3321A003	1	Washer	Rondelle	Scheibe	Arandela	
13	2116053	1	Dowel	Plot	Zylinderstift	Peón	
14	2314J010	3	Screw	Vis	Schraube	Tornillo	
15	3241H009	1	Plate	Plaque	Platte	Placa	
16	3117N042	1	Gear - Idler	Ensemble D'engrenage	Zahnradgetriebe Kpl.	Engranaje, Conj.	
17	#GEAR	1	Gear	Gear	Gear	Gear	Ref. 16
18	0050345	2	Bush	Douille	Buechse	Juego De Anillos	
19	33426161	1	Hub	Moyeu	Nabe	Cubo	
20	4142A501	1	Kit - Front Cover	Jeu Couvercle	Deckel Satz	Tapa, Conj.	
21	#COVER	1	Cover	Cover	Cover	Cover	Ref. 20
22	3681P046	1	Joint - Timing Case Cover	Articulation	Verbindung, Gelenk	Articulación	
23	2314H002	10	Screw	Vis	Schraube	Tornillo	
24	2314H012	5	Screw	Vis	Schraube	Tornillo	



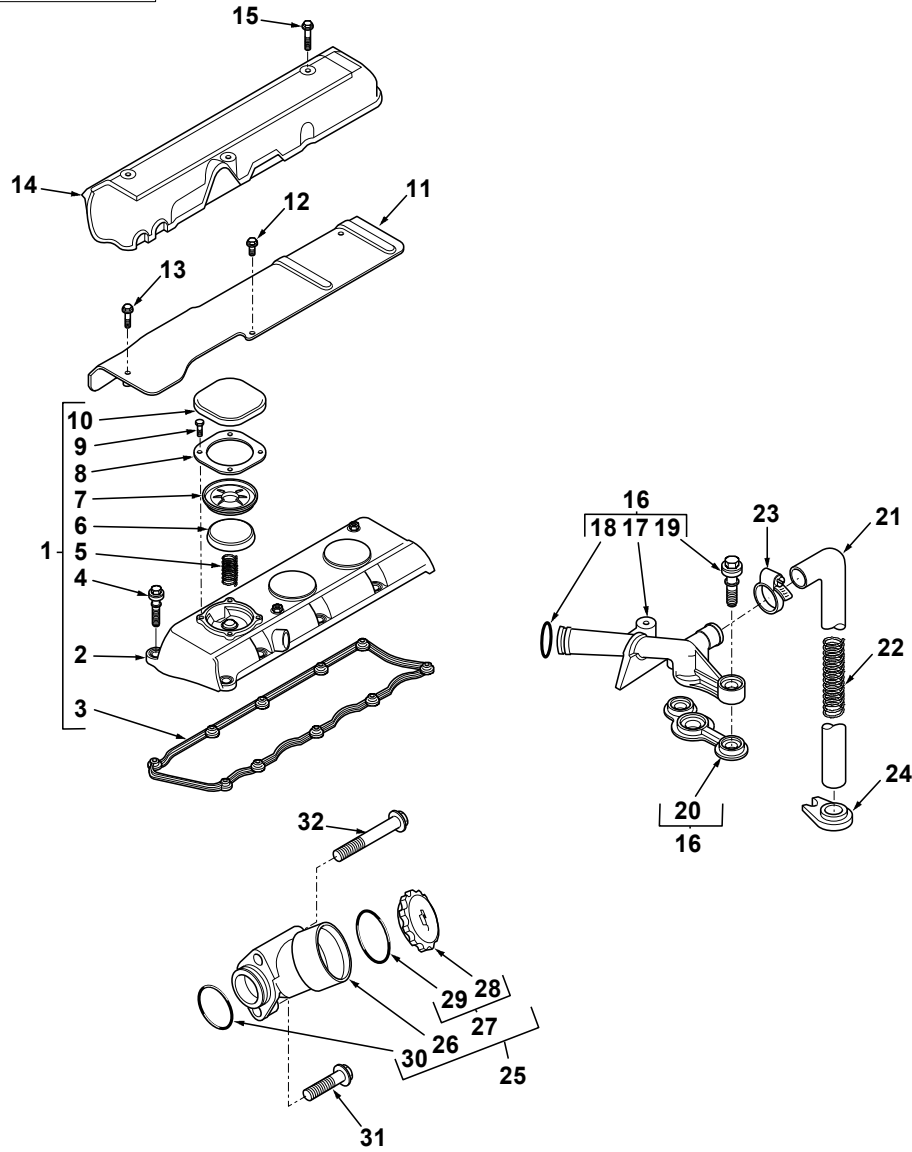
C-21012-07.1-A



Item	Part No.	Qty.	English	French	German	Spanish	Remarks
1	4142X294	1	Cover- Cylinder Head	Cache	Abdeckung	Tapa, Conj.	
2	#COVER	1	Cover	Cache	Cover	Cover	Ref. 1
3	3681A055	1	Joint - Rocker Cover	Joint	Dichtring	Junta	
4	2161A011	10	Screw	Vis	Schraube	Tornillo	
5	3174A017	1	Spring	Siège De Ressort	Federsitz	Muelle	
6	3788A002	1	Filler Cap	Capuchon	Wetterkappe	Sombbrero	
7	3789A001	1	Diaphragm	Diaphragme	Membran	Diafragma	
8	3615A009	1	Plate - Cover	Plaque De Fermeture	Verschlussplatte	Placa De Cierre	
9	2151A001	4	Screw	Vis	Schraube	Tornillo	
10	3788A003	1	Cap	Capuchon	Wetterkappe	Sombbrero	
11	3812A026	1	Heatshield	Garant Thermique	Hitzeschutz	Pantalla Térmica	
12	2314F001	2	Screw	Vis	Schraube	Tornillo	
13	2314F006	1	Screw	Vis	Schraube	Tornillo	
14	3788N005	1	Cover	Cache	Abdeckung	Tapa	
15	2314F005	3	Screw (Pack Of 10)	Vis	Schraube	Tornillo	
16	4134K015	1	Thermostat Housing	Tuyau Reni*ard	Entlufteleitg	Ventil. Cáster, Conj.	
17	#BREATHER	1	Breather	Breather	Breather	Breather	Ref. 16
18	2415A068	1	O - Ring	Joint Torique	O-Ring	Junta De Tipo O	
19	2161A011	2	Screw	Vis	Schraube	Tornillo	
20	3688A038	1	Joint	Joint Plat	Dichtung	Articulación	
21	33872632	1	Hose	Flexible	Schlauch	Tubo Flexible	
22	3175P003	1	Spring, Eng. Breather Hose Reinf.	Siège De Ressort	Federsitz	Muelle	
23	2481877	1	Hose Clip	Bride Pour Tutaux	Schlauchschelle	Argolla De Cierre	
24	36241123	1	Support Bracket	Patte Fixation	Halter	Pata De Fijación	
25	4134C043	1	Lubricating Oil Filler	Rempliss.Huile	Einfüllstutzen	Rellenador	
26	#FILLER	1	Filler	Filler	Filler	Filler	Ref. 25
27	4142X098	1	Oil Filler Cap Assy	Capuchon	Wetterkappe	Casco	
28	#CAP	1	Cap	Chapeau	Kappe	Tapa	Ref. 27
29	2415633	1	Seal - Cap	Joint Torique	O-Ring	Junta De Tipo O	
30	2415B148	1	O - Ring	Joint Torique	O-Ring	Junta De Tipo O	



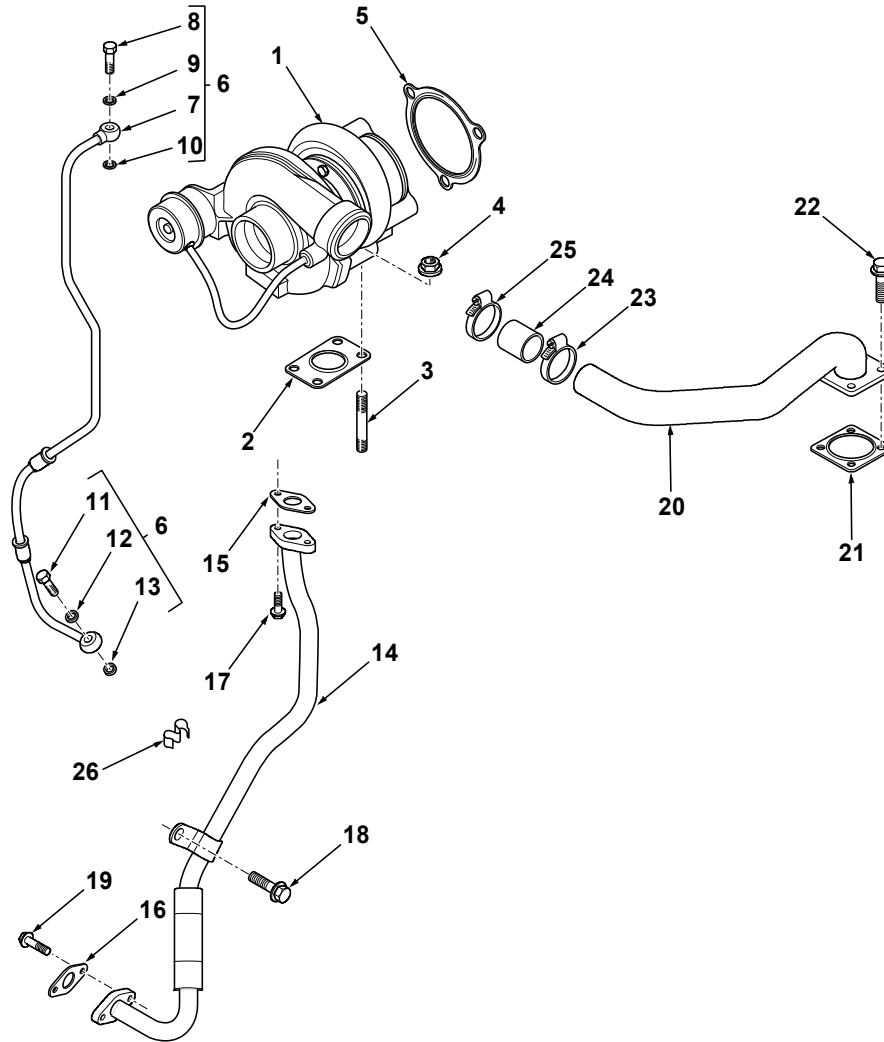
C-21012-07.1-A



Item	Part No.	Qty.	English	French	German	Spanish	Remarks
31	2314H005	1	Screw	Vis	Schraube	Tornillo	
32	2314K161	1	Screw	Vis	Schraube	Tornillo	

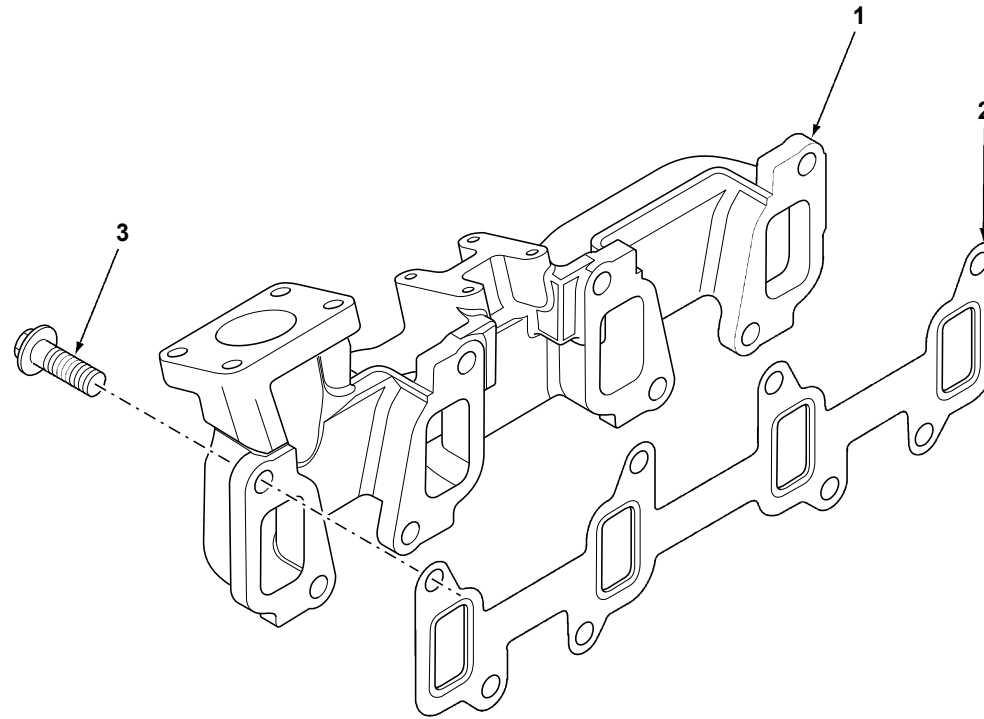


C-21012-08.1-A



Item	Part No.	Qty.	English	French	German	Spanish	Remarks
1	2674A226	1	Turbocharger	Turbocompresseur	Turbolader	Turbocompresor, Conj.	
2	3688A029	1	Joint - Turbo To Manifold	Joint	Dichtung	Articulación	
3	3254K013	4	Stud	Goujon	Stehbolzen	Espárrago	
4	2318A634	4	M10 X 1.5 Full Nut Grd 8 Phosphate	Ecrou	Mutter	Tuerca	
5	3688A034	1	Joint - Elbow	Joint Plat	Dichtung	Articulación	
6	4128A029	1	Pipe Assy	Tuyo	Leitung, Kpl.	Tubo, Conj.	
7	#PIPE	1	Pipe	Pipe	Pipe	Pipe	Ref. 6
8	3218R036	1	Bolt - Banjo	Raccord Banjo	Hohlschraube	Perno De Banjo	
9	2131A506	1	Washer	Rondelle	Scheibe	Arandela	
10	2131A506	1	Washer	Rondelle	Scheibe	Arandela	
11	3218R036	1	Bolt - Banjo	Raccord Banjo	Hohlschraube	Perno De Banjo	
12	2131A506	1	Washer	Rondelle	Scheibe	Arandela	
13	2131A506	1	Washer	Rondelle	Scheibe	Arandela	
14	3584A003	1	Pipe Assy	Tuyo	Leitung, Kpl.	Tubo, Conj.	
15	3688A035	1	Joint	Joint Plat	Dichtung	Articulación	
16	3688A036	1	Joint	Joint Plat	Dichtung	Articulación	
17	2314F004	2	Bolt	Boulon	Schraube	Perno	
18	2314J029	1	Screw	Vis	Schraube	Tornillo	
19	2314H003	2	Hex Bolt - M8 X 20	Goupille	Bolzen	Tornillo	
20	3571C072	1	Pipe	Tuyau	Rohr	Tubo, Conj.	
21	3688A037	1	Gasket	Joint Plat	Dichtung	Articulación	
22	2314H033	4	Screw	Vis	Schraube	Tornillo	
23	2481D073	1	Clip - Hose	Collier Durit	Schlauchschelle	Clip	
24	3383A027	1	Hose	Flexible	Schlauch	Tubo Flexible	
25	2481D073	1	Clip - Hose	Collier Durit	Schlauchschelle	Clip	
26	2481D314	1	Clip	Clip	Klips	Clip	

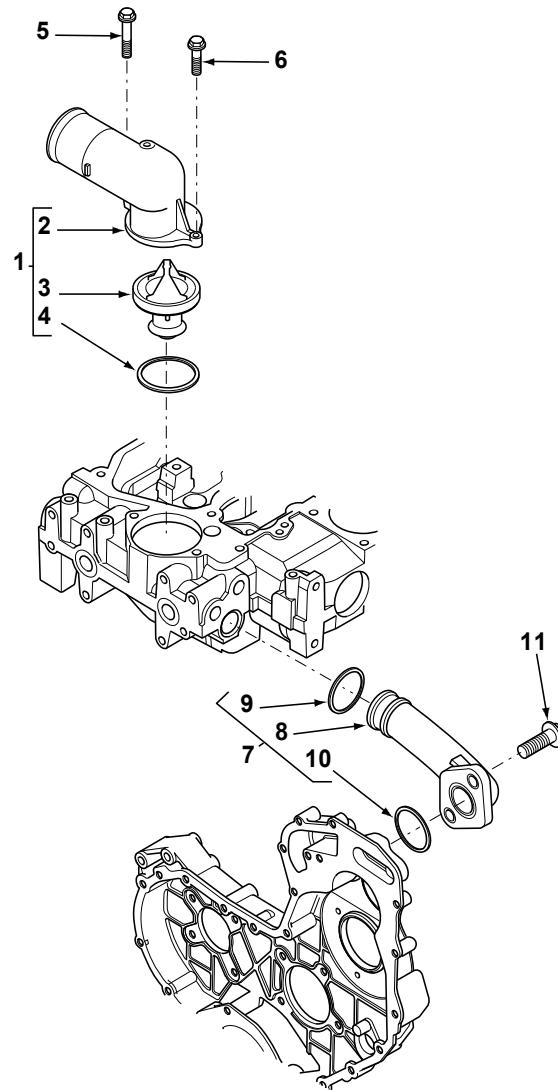
C-21012-09.1-A



Item	Part No.	Qty.	English	French	German	Spanish	Remarks
1	3778E221	1	Manifold - Exhaust	Collecteur	Krümmer	Colector	
2	3681V512	1	Joint - Exhaust Manifold	Joint	Dichtring	Junta	
3	3218J013	8	Screw	Vis	Schraube	Tornillo	

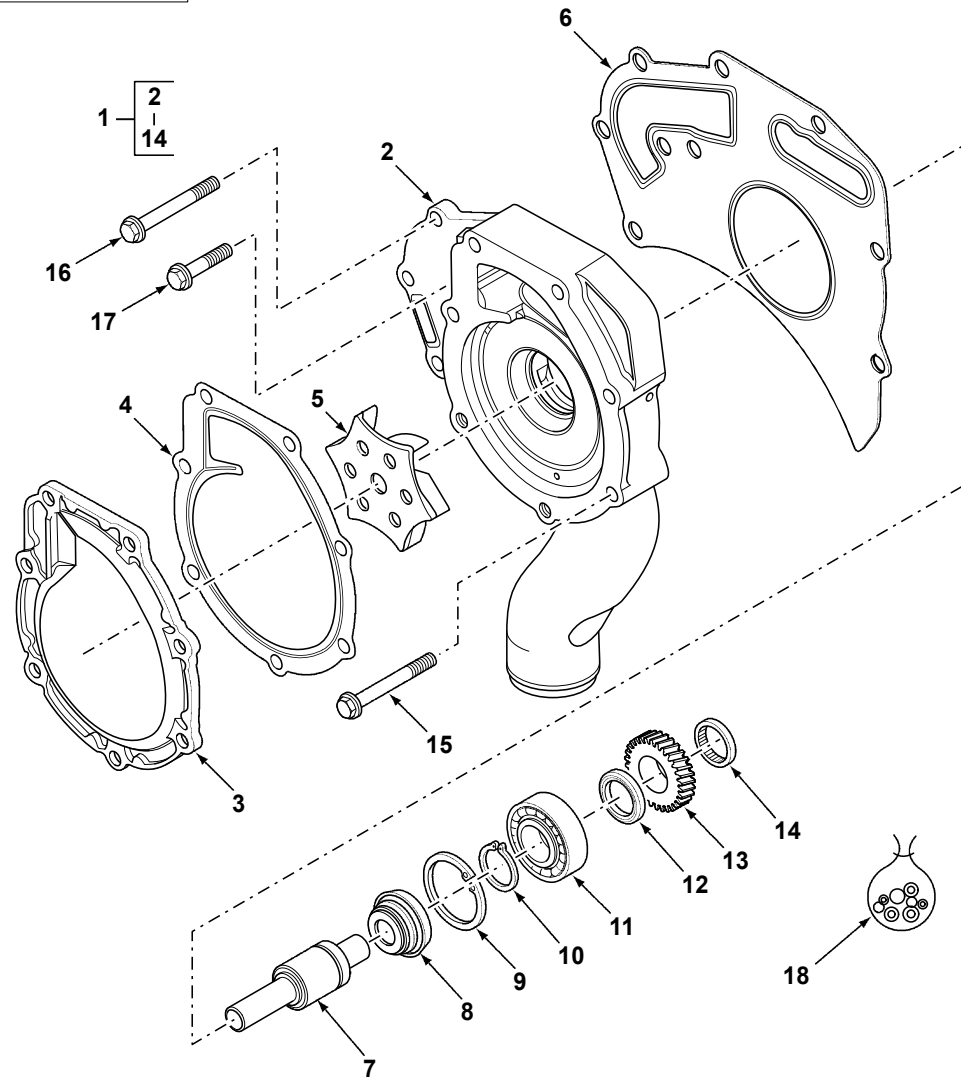


C-21012-10.1-A



Item	Part No.	Qty.	English	French	German	Spanish	Remarks
1	4133L503	1	Manifold Assy	Connexion	Krummer Kpl.	Colector, Conj.	
2	#PIPE	1	Pipe	Pipe	Pipe	Pipe	Ref. 1
3	2485C041P	1	Thermostat	Thermostat	Thermostat	Termostato	
4	2415H008	1	O - Ring	Joint Torique	O-Ring	Junta De Tipo O	
5	2314H012	1	Screw	Vis	Schraube	Tornillo	
6	2314H004	1	Screw	Vis	Schraube	Tornillo	
7	4133L048	1	Connection	Borne	Doppelnippel	Conexión, Conj.	
8	#PIPE	1	Pipe	Pipe	Pipe	Pipe	Ref. 7
9	2418F002	1	O - Ring	Joint Torique	O-Ring	Junta De Tipo O	
10	2418F001	1	O - Ring	Joint Torique	O-Ring	Junta De Tipo O	
11	2314H003	2	Hex Bolt - M8 X 20	Goupille	Bolzen	Tornillo	

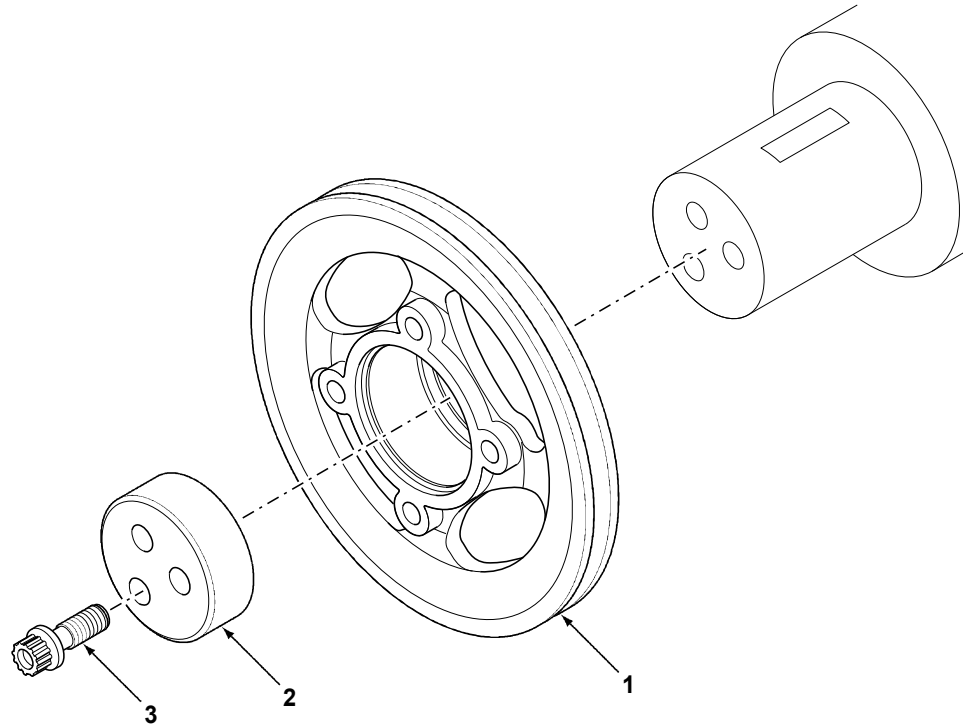
C-21012-11.1-A



Item	Part No.	Qty.	English	French	German	Spanish	Remarks
1	U5MW0194	1	Kit - Water Pump	Jeu Pompe À Eau	Wasserpumpensatz	Bomba De Agua	
2	#BODY	1	Body	Body	Body	Body	Ref. 1
3	#COVER	1	Cover	Cover	Cover	Cover	Ref. 1
4	#GASKET	1	Gasket	Gasket	Gasket	Gasket	
5	#TURBINE	1	Turbine	Turbine	Turbine	Turbine	
6	3682A011	1	Joint - Water Pump	Joint Plat	Dichtung	Articulación	
7	#SHAFT	1	Shaft	Shaft	Shaft	Shaft	
8	#SEAL	1	Seal	Joint Étanchéité	Dichtring	Retén	
9	#CLIP	1	Clip	Clip	Clip	Clip	
10	#CLIP	1	Clip	Clip	Clip	Clip	
11	#BEARING	1	Bearing	Bearing	Bearing	Bearing	
12	#SEAL	1	Seal	Joint Étanchéité	Dichtring	Retén	
13	24880232	1	Gear - Water Pump	Pignon Pompe Eau	Zahnrad,Wapu	Piñón	
14	#BEARING	1	Bearing	Bearing	Bearing	Bearing	
15	2314H012	5	Screw	Vis	Schraube	Tornillo	
16	2314K164	2	Screw	Vis	Schraube	Tornillo	
17	2314H005	2	Screw	Vis	Schraube	Tornillo	
18	U7LW0172	1	Kit - Water Pump Repair	Jeu Pompe À Eau	Wasserpumpensatz	Juego De Servicio	



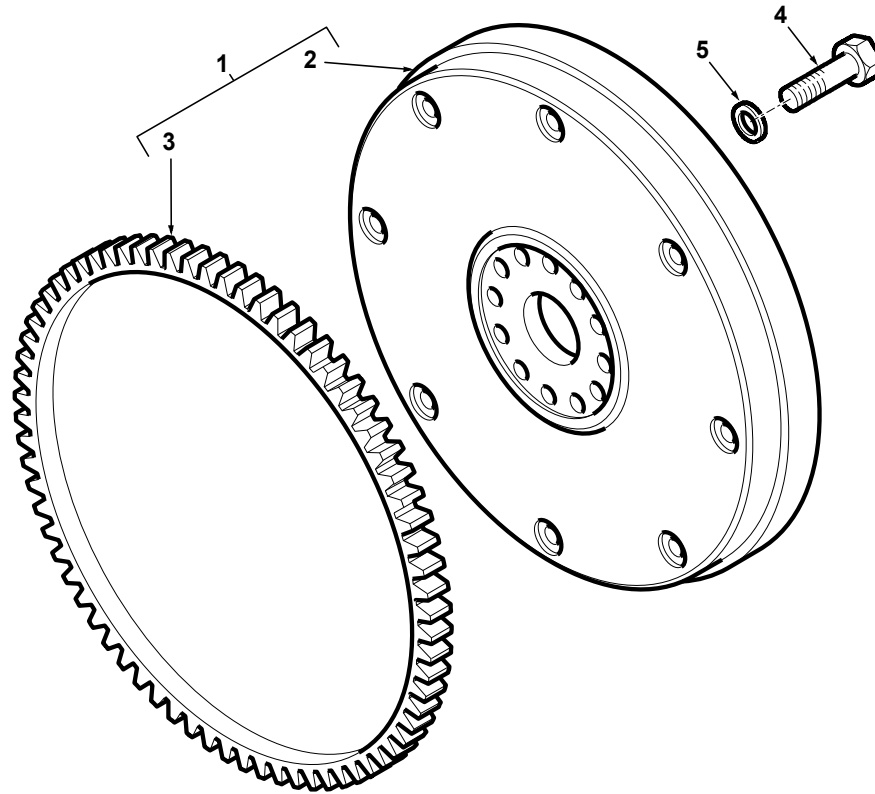
C-21012-12.1-A



Item	Part No.	Qty.	English	French	German	Spanish	Remarks
1	3114P061	1	Pulley - Crankshaft	Poulie Vilebreq.	R Scheibe,Kuwe	Polea	
2	3241N001	1	Block	Bloc	Block	Tope	
3	32186137	3	Bolt - Crankshaft	Goupille	Bolzen	Perno	



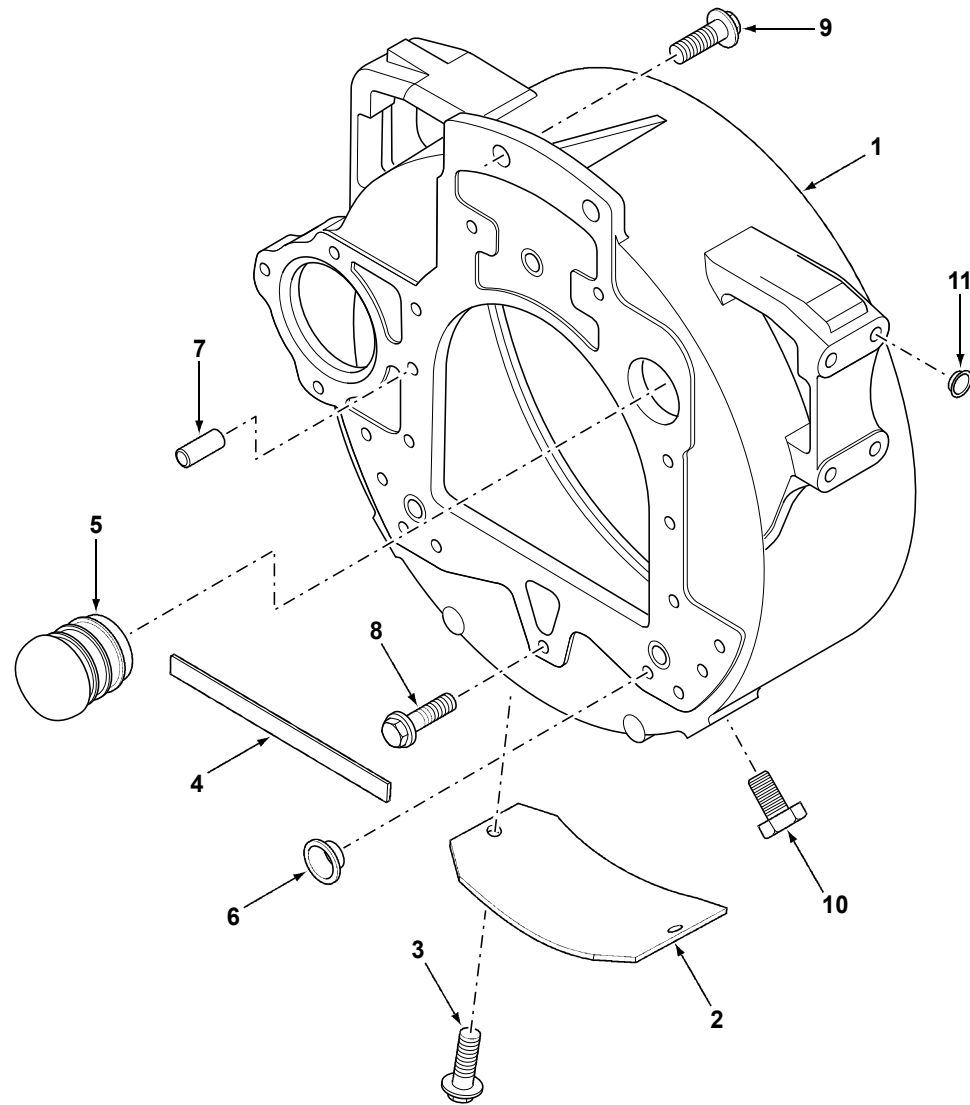
C-21012-13.1-A



Item	Part No.	Qty.	English	French	German	Spanish	Remarks
1	4111D127	1	Flywheel Assembly	Volant Moteur	Schwungrad Kpl	Volante Motor	
2	#FLYWHEEL	1	Flywheel	Flywheel	Flywheel	Flywheel	Ref. 1
3	31162121	1	Gear - Starter Ring	Roue Dentee	Zahnrad	Cambio	
4	0746853	6	Screw	Vis	Schraube	Tornillo	
5	33117127	6	Washer	Rondelle	Scheibe	Arandela	



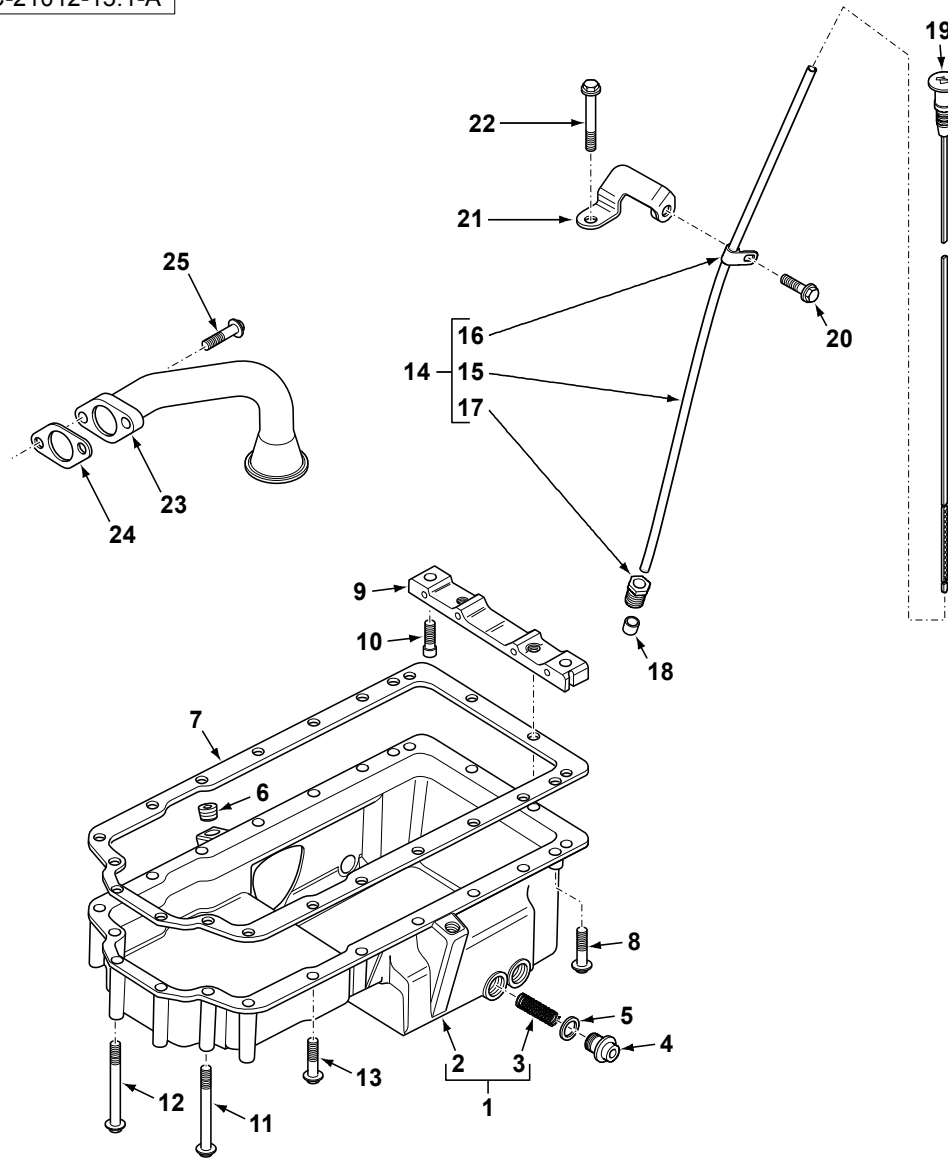
C-21012-14.1-A



Item	Part No.	Qty.	English	French	German	Spanish	Remarks
1	3713M049	1	Housing - Flywheel	Carter De Volant	Schwungradgeh	Cárter	
2	36212132	1	Plate	Plaque	Platte	Placa	
3	2314H102	2	Screw	Vis	Schraube	Tornillo	
4	36843154	1	Seal	Joint D ´Arbre	Wellendichtring	Junta	
5	2487A452	1	Plug - Blanking	Obturateur	Verschlussstopfen	Tapón De Bloqueo	
6	2487204	3	Plug	Bouchon	Stopfen	Tapón	
7	0350025	2	Dowel	Plot	Zylinderstift	Peon	
8	2314J204	6	Screw	Vis	Schraube	Tornillo	
9	2314J603	2	Screw	Vis	Schraube	Tornillo	
10	2487Y005	2	Plug	Bouchon	Stopfen	Tapón	
11	2487207	10	Plug	Bouchon	Stopfen	Tapón	



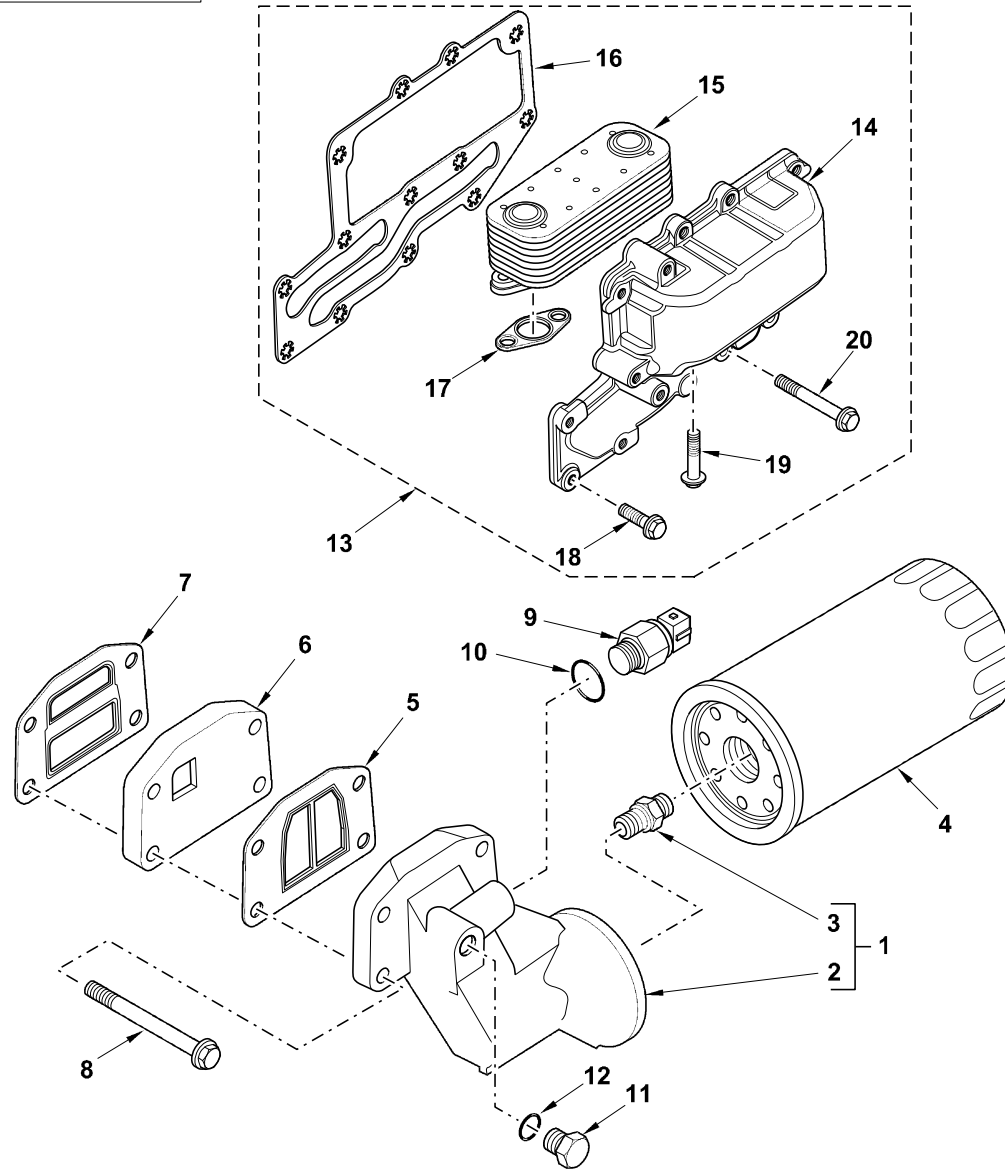
C-21012-15.1-A



Item	Part No.	Qty.	English	French	German	Spanish	Remarks
1	4145H091	1	Sump	Carter À Huile	Ölwanne	Cárter De Aceite	
2	#PAN, OIL	1	Pan, Oil	Pan, Oil	Pan, Oil	Pan, Oil	Ref. 1
3	2137435	2	Insert	Siège De Ressort	Federsitz	Muelle	
4	32186405	2	Plug - Oil Drain	Bouchon	Stopfen	Tapón	
5	2415715	2	O-Ring - Sump Plug	Joint Torique	O-Ring	Junta De Tipo O	
6	2431A016	1	Plug	Bouchon	Stopfen	Tapón	
7	3681K037	1	Joint - Sump	Joint	Dichtring	Junta	
8	2314H033	2	Screw	Vis	Schraube	Tornillo	
9	3627P041	1	Bridge Piece	Pontet	Traverse	Placa	
10	2311D039	2	Screw	Vis	Schraube	Tornillo	
11	2314K166	2	Screw	Vis	Schraube	Tornillo	
12	2314K166	4	Screw	Vis	Schraube	Tornillo	
13	2314H003	12	Hex Bolt - M8 X 20	Goupille	Bolzen	Tornillo	
14	4126A081	1	Tube - Dipstick	Tube	Rohrleitung	Conjunto De Tubería	
15	#TUBE	1	Tube	Tube	Tube	Tube	Ref. 14
16	0180170	1	Clip	Clip	Klips	Argolla De Fijacion	
17	3353D005	1	Nut	Ecrou	Mutter	Tuerca	
18	33812116	1	Olive, Dipstick Tube	Ori•ce	Blende	Ori•cio	
19	3178C169	1	Dipstick	Jauge	Meßstab	Calibre De Aceite	
20	2314F002	1	Screw	Vis	Schraube	Tornillo	
21	3733A009	1	Bracket	Patte Fixation	Halter	Pata De Fijación	
22	2314F909	1	Screw	Vis	Schraube	Tornillo	
23	3575A061	1	Pipe - Suction	Ensemble Tuyauterie	Rohr Kpl.	Tube, Conj.	
24	36832137	1	Joint, Turbo Lub. Oil Drain Pipe	Articulation	Dichtring	Articulación	
25	2314H004	2	Screw	Vis	Schraube	Tornillo	



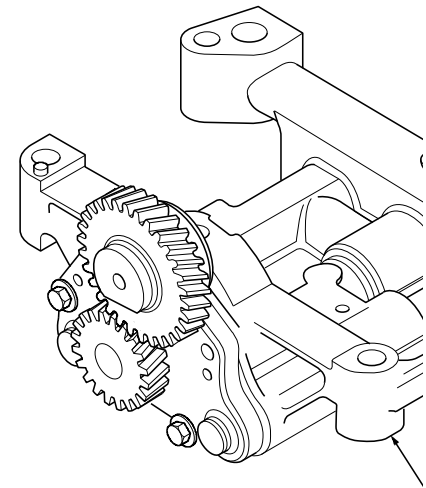
C-21012-16.1-B



Item	Part No.	Qty.	English	French	German	Spanish	Remarks
1	4134E057	1	Oil Filter Head	Ensemble De Tête	Kopf Kpl.	Cabeza, Conj.	
2	#HEAD	1	Head	Head	Head	Head	Ref. 1
3	33554128	1	Connection	Connexion	Verbindung	Racor	
4	2654407	1	Canister-Engine Oil Filter	Filtre	Filter	Filtro	
5	3688A041	1	Joint	Joint Plat	Dichtung	Articulación	
6	3773A081	1	Adaptor	Adaptateur	Reduziernippel	Adaptador	
7	3688A039	1	Joint	Joint Plat	Dichtung	Articulación	
8	2314H038	4	Screw	Vis	Schraube	Tornillo	
9	2848A071	1	Oil Pressure Switch	Pressostat D'huile	Oeldruckschalter	Interruptor	
10	2415H002	1	O - Ring	Joint Torique	O-Ring	Junta De Tipo O	
11	3278A007	1	Plug	Bouchon	Stopfen	Tapón	
12	2415H009	1	O - Ring	Joint Torique	O-Ring	Junta De Tipo O	
13	4134W001	1	Oil Cooler	Refroidisseur A Huil	Oelkuhler	Aceite Conjunto Enfr.	
14	#BODY	1	Body	Body	Body	Body	Ref. 13
15	2486A217	1	Oil Cooler	Refroidisseur A Huil	Oelkuhler	Radiador De Aceite	
16	3685A024	1	Joint	Joint Plat	Dichtung	Articulación	
17	3685A025	2	Joint	Joint Plat	Dichtung	Junta	
18	2314H004	10	Screw	Vis	Schraube	Tornillo	
19	2314H006	4	Screw	Goupille	Bolzen	Tornillo	
20	2314K161	3	Screw	Vis	Schraube	Tornillo	



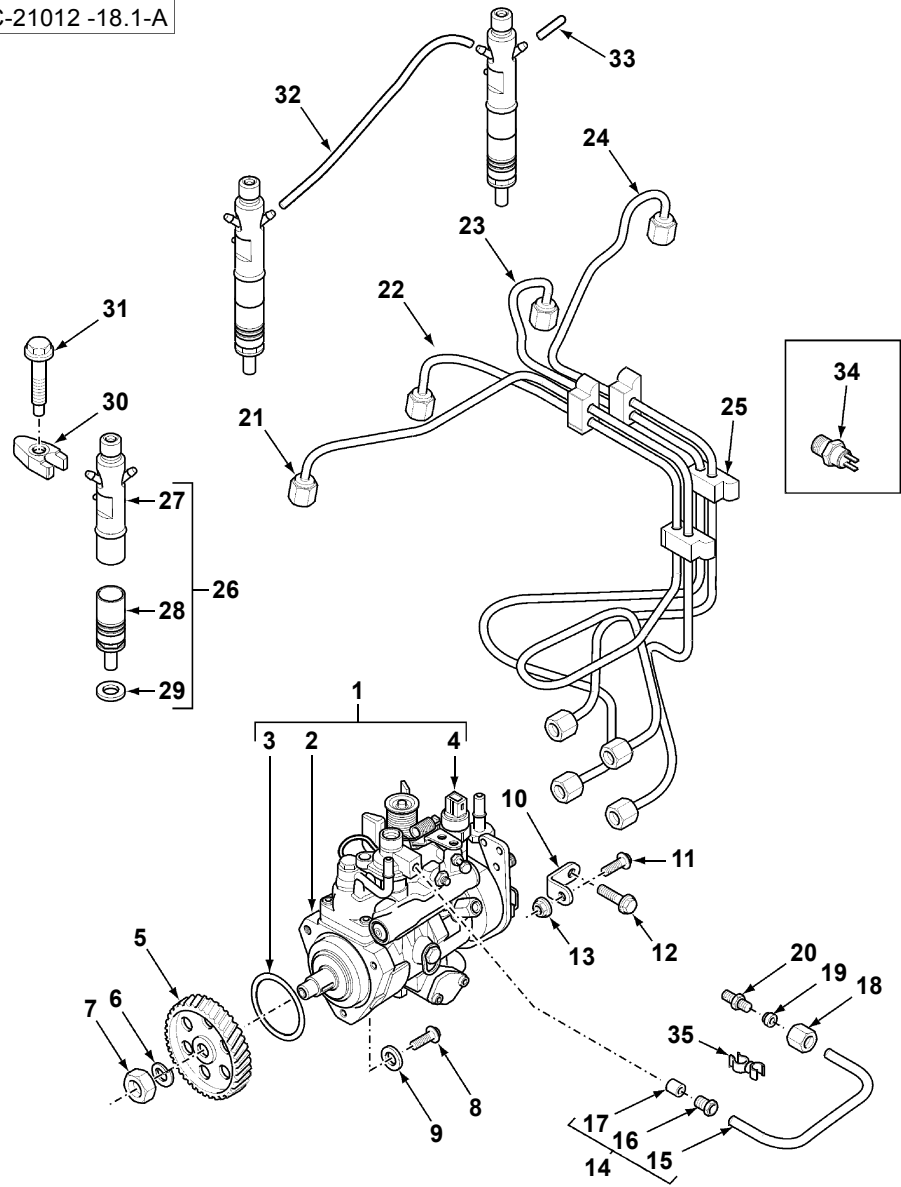
C-21012-17.1-A



Item	Part No.	Qty.	English	French	German	Spanish	Remarks
1	4132F071	1	Pump - Oil	Pompe À Huile	Motorölpumpe	Bomba De Aceite	
2	2314J008	5	Screw	Vis	Schraube	Tornillo	



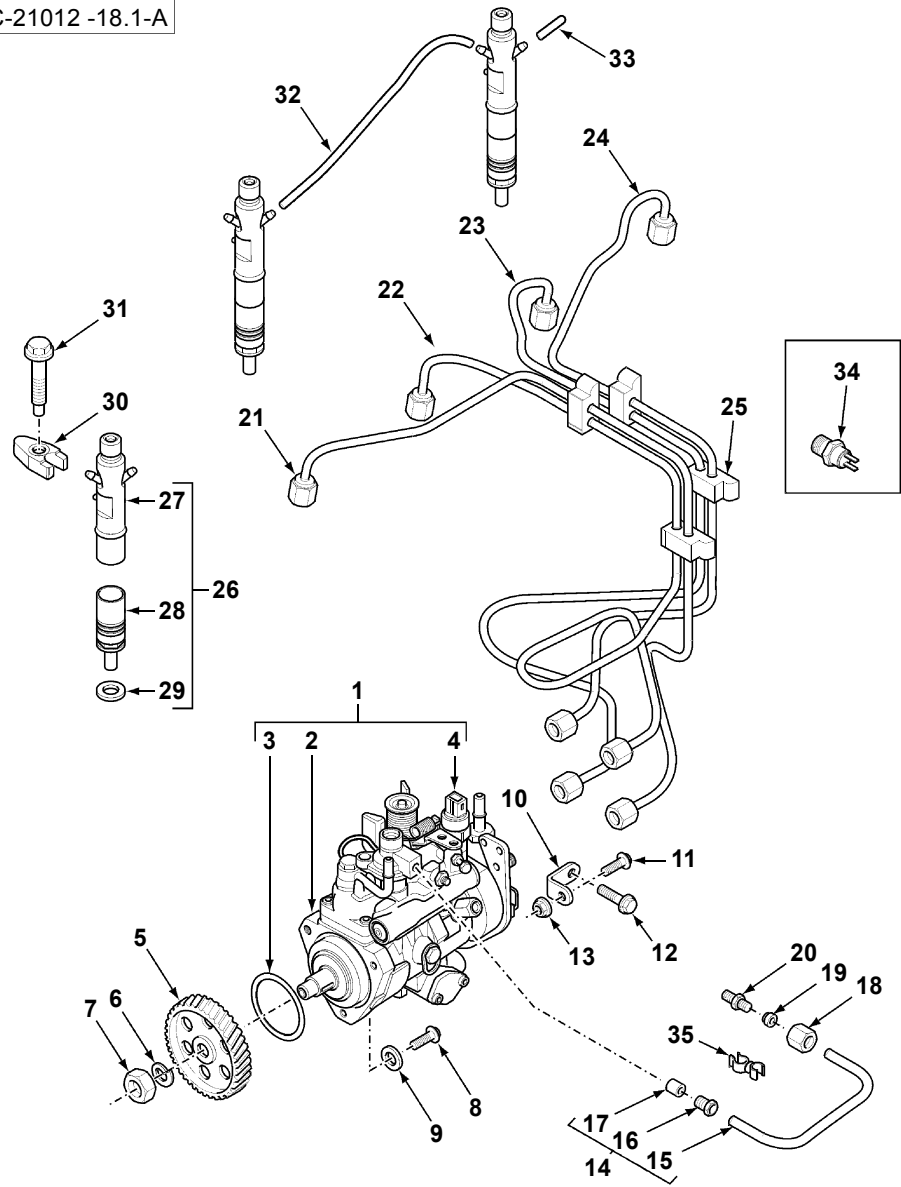
C-21012 -18.1-A



Item	Part No.	Qty.	English	French	German	Spanish	Remarks
1	2644H003	1	Pump - Fuel Injection	Pompe Injection	Einspritzpumpe	Bomba Inyectora	
2	#PUMP	1	Pump	Pump	Pump	Pump	Ref. 1
3	26420318	1	O-Ring	Joint Torique	O-Ring	Junta De Tipo O	
4	26420469	1	Solenoid - Fuel Cut-Off	Solenoide	Solenoide	Solenoide	
5	3117L261	1	Gear - Injection Pump	Pignon	Zahnrad	Piñón	
6	K134AF01	1	Washer	Rondelle	Scheibe	Arandela De Freno	
7	2318A108	1	Nut	Ecrou	Mutter	Tuerca	
8	2314H004	3	Screw	Vis	Schraube	Tornillo	
9	2411D008	3	Washer	Rondelle	Scheibe	Arandela	
10	3641A007	1	Bracket	Patte Fixation	Halter	Pata De Fijación	
11	2314H003	1	Hex Bolt - M8 X 20	Goupille	Bolzen	Tornillo	
12	2314J002	1	Screw	Vis	Schraube	Tornillo	
13	2318A603	1	Nut (Pack Of 10)	Ecrou	Mutter	Tuerca	
14	4121A058	1	Pipe - Boost Control	Ensemble Tuyauterie	Rohr Kpl.	Tubo, Conj.	
15	#PIPE	1	Pipe	Pipe	Pipe	Pipe	Ref. 14
16	3353D004	1	Nut - Union	Ecrou Raccord	Anschlussmutter	Tuerca	
17	33811112	1	Olive - Fuel Pipe	Ori•ce	Blende	Ori•cio	
18	0576111	1	Nut	Ecrou	Mutter	Tuerca	
19	0566002	1	Olive	Olive	Schneidring	Ori•cio	
20	0206002	1	Union	Union	Schraubanschluss	Union	
21	3525A061	1	Pipe - Fuel Injection No.1	Tuyau Injection	Einspritzleitung	Tubo	
22	3525A062	1	Pipe - Fuel Injection No.2	Tuyau Injection	Einspritzleitung	Tubo	
23	3525A063	1	Pipe - Fuel Injection No.3	Tuyau Injection	Einspritzleitung	Tubo	
24	3525A064	1	Pipe - Fuel Injection No.4	Tuyau Injection	Einspritzleitung	Tubo	
25	2646E017	1	Clip	Clip	Befestigungsschelle	Brida De Fijación	
26	2645K011	4	Atomiser	Injecteur	Zerstäuber	Inyector, Conj.	
27	#HOLDER	1	Holder	Holder	Holder	Holder	Ref. 26
28	2645K611	1	Nozzle	Gicleur Injection	Düse	Surtidor De Inyección	
29	L311FF02	1	Seal - Fuel Inj. Nozzle	Rondelle	Scheibe	Arandela	
30	3751A241	4	Clamp - Injector	Collier De Serrage	Klemme	Argolla De Cierre	



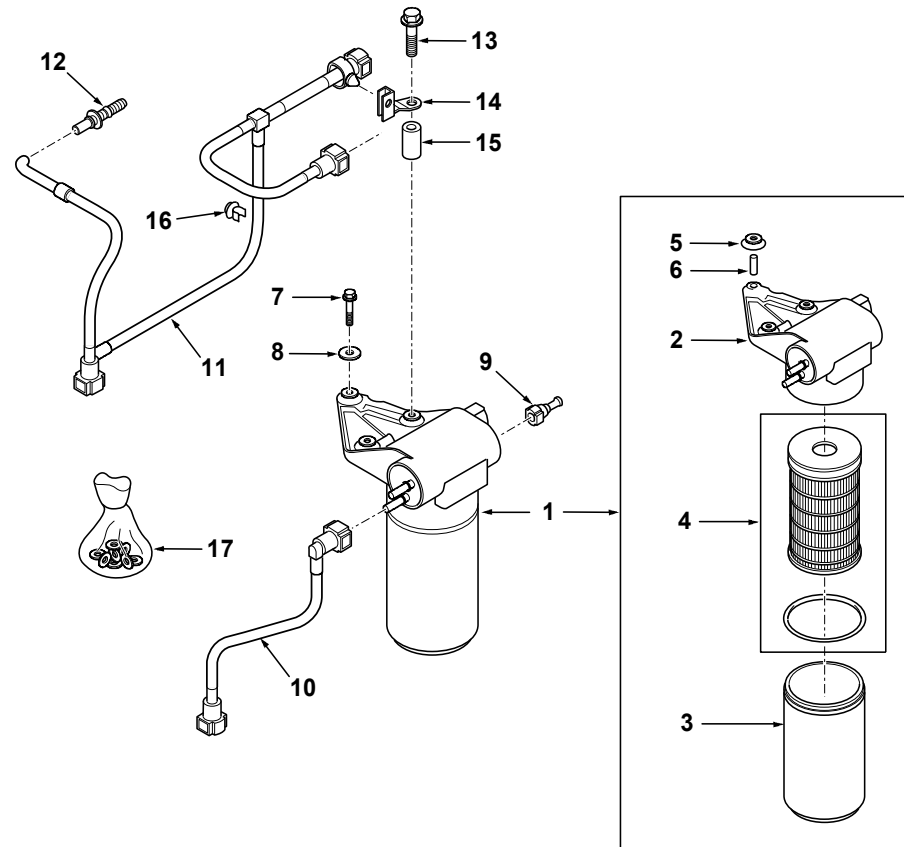
C-21012 -18.1-A



Item	Part No.	Qty.	English	French	German	Spanish	Remarks
31	2314W009	4	Screw	Vis	Schraube	Tornillo	
32	2646F501	3	Hose - Flexible	Flexible	Schlauch	Tubo Flexible	
33	2646E501	1	Cap	Capuchon	Wetterkappe	Sombbrero	
34	2848A127	1	Sender Unit	Capteur De Temperature	Temperaturgeber	Emisor	
35	K138AF02	1	Clip	Clip	Klips	Clip	



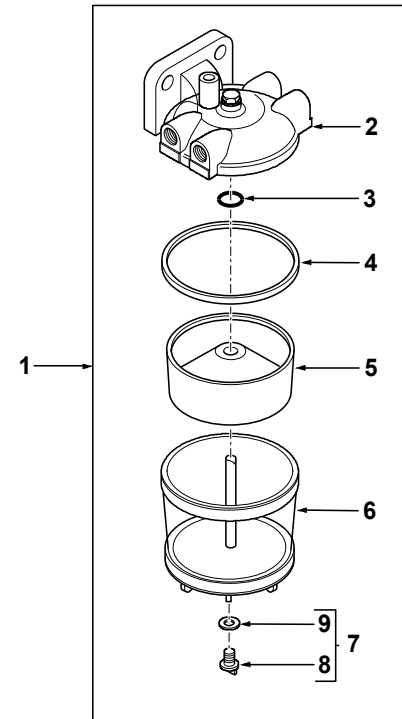
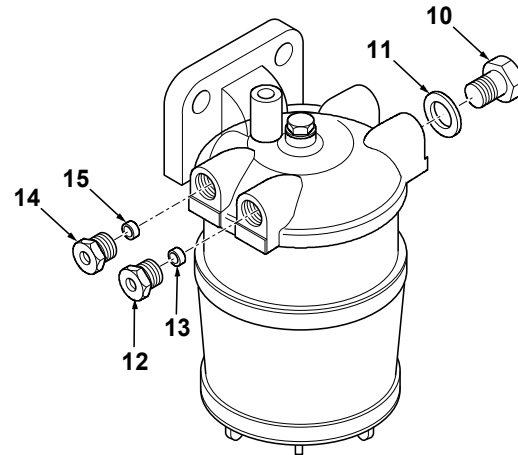
C-21012-19.1-A



Item	Part No.	Qty.	English	French	German	Spanish	Remarks
1	4132A008	1	Pump, Fuel Lift - Incl. Fuel Filter Use 4132a018	Pompe Carburant	Kraftstoffpumpe	Bomba De Combustible	
2	#HEAD	1	Head	Head	Head	Head	Ref. 1
3	#BASE	1	Base	Base	Base	Base	Ref. 1
4	26560201	1	Element - Filter Engine Fuel *S*	Cartouche Filtrante	Filterpatrone	Elemento De Filtro	
5	#MOUNT	3	Mount	Mount	Mount	Mount	
6	#SPACER	3	Spacer	Spacer	Spacer	Spacer	
7	2314F909	3	Screw	Vis	Schraube	Tornillo	
8	2131A507	3	Washer	Rondelle	Scheibe	Arandela	
9	3763A046	1	Connector	Borne	Doppelnippel	Conector	
10	2646F001	1	Pipe - Fuel Feed	Ensemble Tuyauterie	Rohr Kpl.	Tubo, Conj.	
11	2646F002	1	Pipe - Fuel Feed	Tuyau Carburant	Kraftstleitung	Tubo, Conj.	
12	3763A045	1	Connection	Borne	Doppelnippel	Conector	
13	2314H008	1	Screw	Vis	Schraube	Tornillo	
14	3733A008	1	Bracket	Patte Fixation	Halter	Pata De Fijación	
15	3313A006	1	Spacer	Entretoise	Distanzstück	Traviesa	
16	2481D456	1	Clip	Clip	Klips	Clip	
17	U5MK1017	1	Kit - Service	Kit D'Entretien	Reparatursatz	Juego De Servicio	



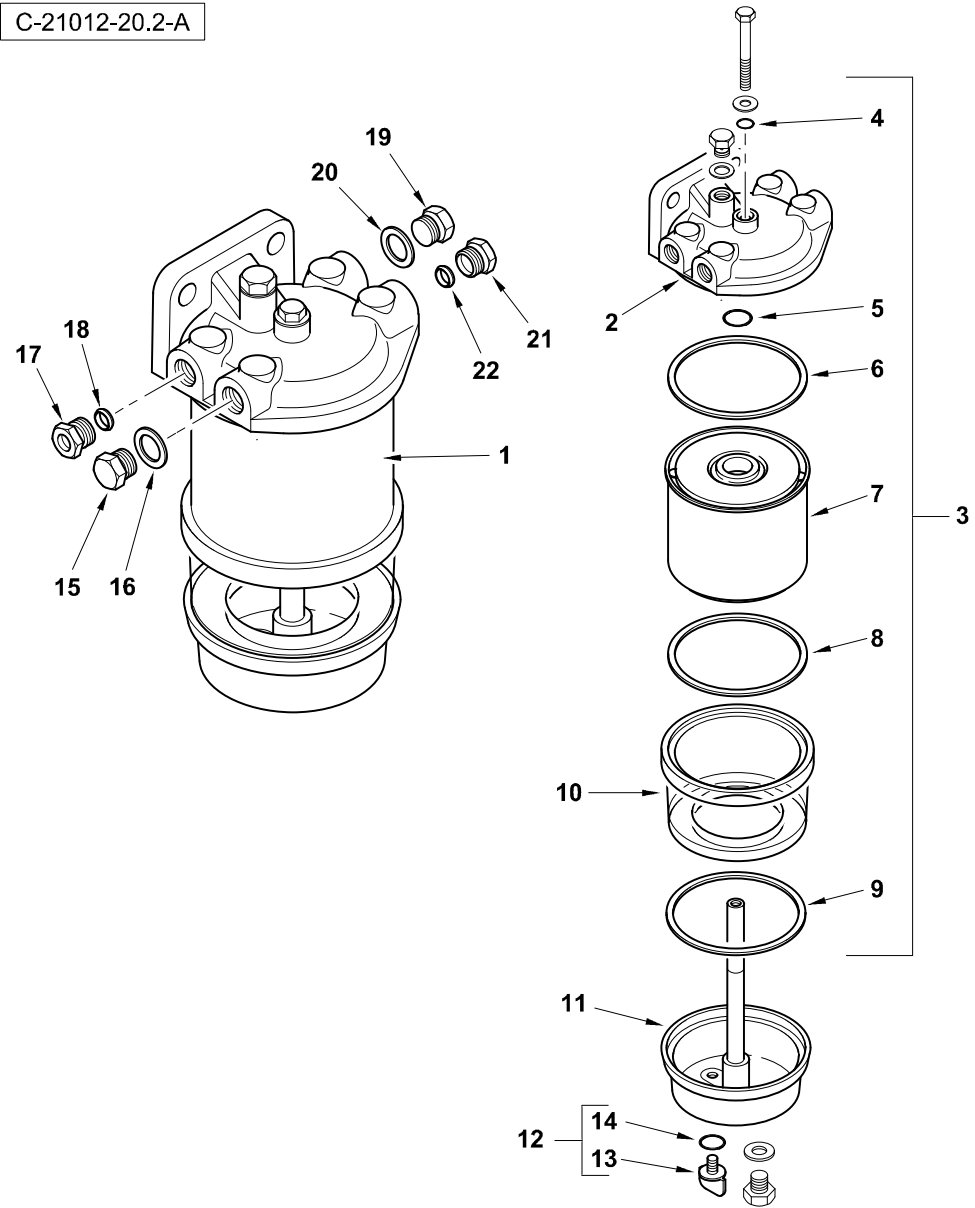
C-21012-20.1-A



Item	Part No.	Qty.	English	French	German	Spanish	Remarks
1	2656086	1	Pre-Filter - Fuel	Filtre	Filter	Filtro	
2	#HEAD	1	Head	Head	Head	Head	Ref. 1
3	26560016	1	Washer	Rondelle	Scheibe	Arandela	
4	0490786	2	Seal - Fuel Filter	Joint	Dichtung	Junta	
5	26560156	1	Body And Cone Assy. - Fuel Pre-Filter	Séparateur	Dreschwerk, Abscheider	Separador	
6	26560075	1	Container	Reservoir	Schauglas	Deposito	
7	26560614	1	Screw & O Ring - Fuel Filter Bowl	Bouchon	Stopfen	Tapón	
8	#PLUG	1	Plug	Plug	Plug	Plug	Ref. 7
9	26431192	1	Washer	Rondelle	Scheibe	Arandela	
10	0650204	2	Plug	Bouchon	Stopfen	Tapon	
11	0920154	2	Washer	Rondelle	Scheibe	Arandela	
12	33532129	1	Nut	Ecrou	Mutter	Tuerca De Tubería	
13	0566004	1	Olive	Olive	Schneidring	Oliva	
14	33532129	1	Nut	Ecrou	Mutter	Tuerca De Tubería	
15	0566004	1	Olive	Olive	Schneidring	Oliva	



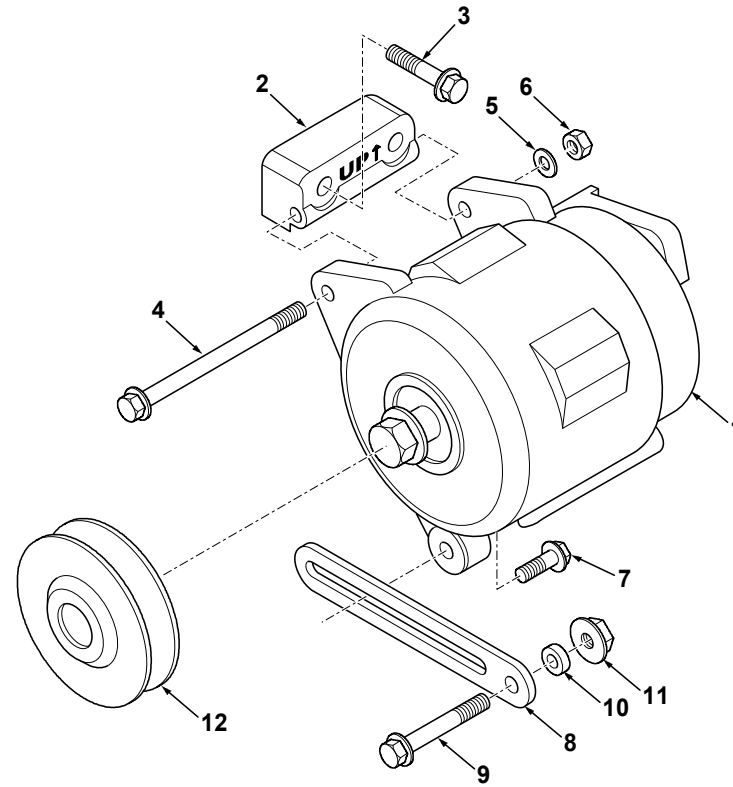
C-21012-20.2-A



Item	Part No.	Qty.	English	French	German	Spanish	Remarks
1	2656F823	1	Filter - Fuel	Filtre A Combustible	Kraftstoff*Iter	Filtro De Combustible	
2	#HEAD, FILTER	1	Head, Filter	Head, Filter	Head, Filter	Head, Filter	Ref. 1
3	26550005	1	Fuel/Water Separator	Filtre	Filter	Filtro	
4	#O-RING	1	O-Ring	Joint Torique	O-Ring	Junta Tórica	Ref. 3
5	#O-RING	1	O-Ring	Joint Torique	O-Ring	Junta Tórica	Ref. 3
6	#O-RING	1	O-Ring	Joint Torique	O-Ring	Junta Tórica	Ref. 3
7	#ELEMENT	1	Element	Element	Element	Element	Ref. 3
8	#O-RING	1	O-Ring	Joint Torique	O-Ring	Junta Tórica	Ref. 3
9	#O-RING	1	O-Ring	Joint Torique	O-Ring	Junta Tórica	Ref. 3
10	26560181	1	Bowl - Glass	Cuve	Wanne	Cuba	
11	#BASE	1	Base	Base	Base	Base	Ref. 1
12	26560614	1	Screw & O Ring - Fuel Filter Bowl	Bouchon	Stopfen	Tapón	
13	#PLUG	1	Plug	Plug	Plug	Plug	
14	26431192	1	Washer	Rondelle	Scheibe	Arandela	
15	0650204	1	Plug	Bouchon	Stopfen	Tapon	
16	2411D013	1	Washer	Rondelle	Unterlegscheibe	Arandela	
17	33532129	1	Nut	Ecrou	Mutter	Tuerca De Tubería	
18	0566004	1	Olive	Olive	Schneidring	Oliva	
19	0650204	1	Plug	Bouchon	Stopfen	Tapon	
20	2411D013	1	Washer	Rondelle	Unterlegscheibe	Arandela	
21	33532129	1	Nut	Ecrou	Mutter	Tuerca De Tubería	
22	0566004	1	Olive	Olive	Schneidring	Oliva	

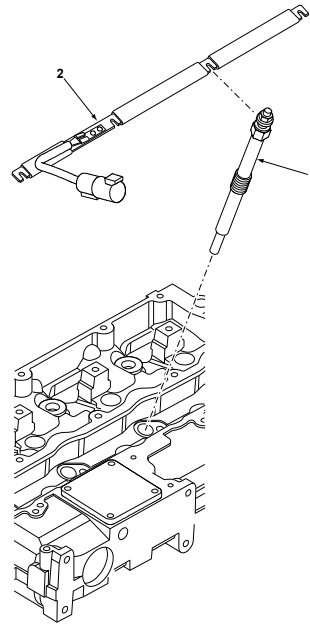


C-21012-21.1-A



Item	Part No.	Qty.	English	French	German	Spanish	Remarks
1	2871A302	1	Alternator Use 2871a307	Alternateur Triphase	Drehstromlichtmaschi	Alternador, Conj.	
2	3824A071	1	Bracket - Alternator	Patte Fixation	Halter	Pata De Fijación	
3	2314J007	2	Screw	Vis	Schraube	Tornillo	
4	2314H052	1	Screw	Vis	Schraube	Tornillo	
5	2131A008	1	Washer	Rondelle	Scheibe	Arandela	
6	2318D208	1	Nut	Ecrou	Mutter	Tuerca	
7	2314H103	1	Screw	Vis	Schraube	Tornillo	
8	36155429	1	Bracket - Alternator Adjusting	Patte Fixation	Halter	Tirante De Ajuste	
9	2314J012	1	Screw	Vis	Schraube	Tornillo	
10	0920465	1	Spacer	Entretoise	Distanzstueck	Traviesa	
11	2318A604	1	Nut	Ecrou	Mutter	Tuerca	
12	3113E031	1	Pulley	Poulie	Riemenscheibe	Polea	

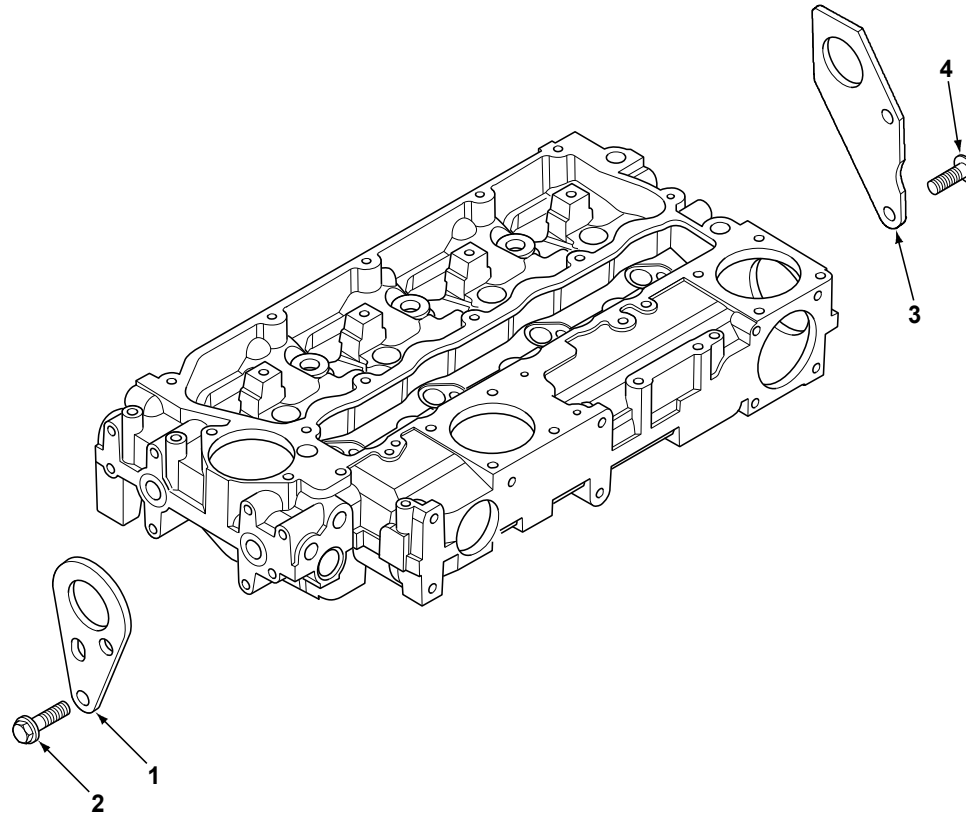
C-21012-22.1-A



Item	Part No.	Qty.	English	French	German	Spanish	Remarks
1	2666A016	4	Plug - Glow	Vis De Fermeture	Verschlusschraube	Enchufe	
2	3161C015	1	Bar	Barre	Stab	Barra	



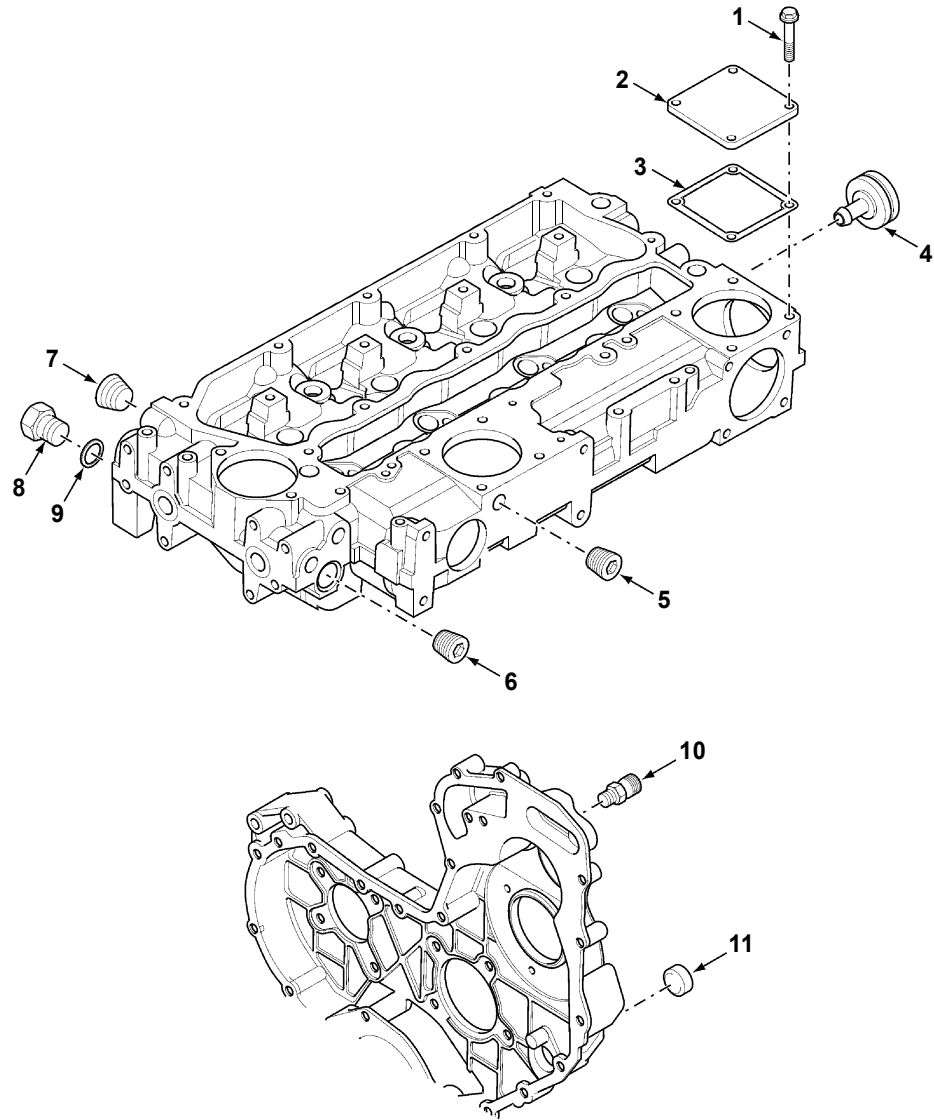
C-21012-23.1-A



Item	Part No.	Qty.	English	French	German	Spanish	Remarks
1	3617A015	1	Bracket - Lifting	Patte Fixation	Halter	Anillo De Elevación	
2	2314J002	2	Screw	Vis	Schraube	Tornillo	
3	3624A016	1	Bracket - Lifting	Patte Fixation	Halter	Anillo De Elevación	
4	2314J002	2	Screw	Vis	Schraube	Tornillo	



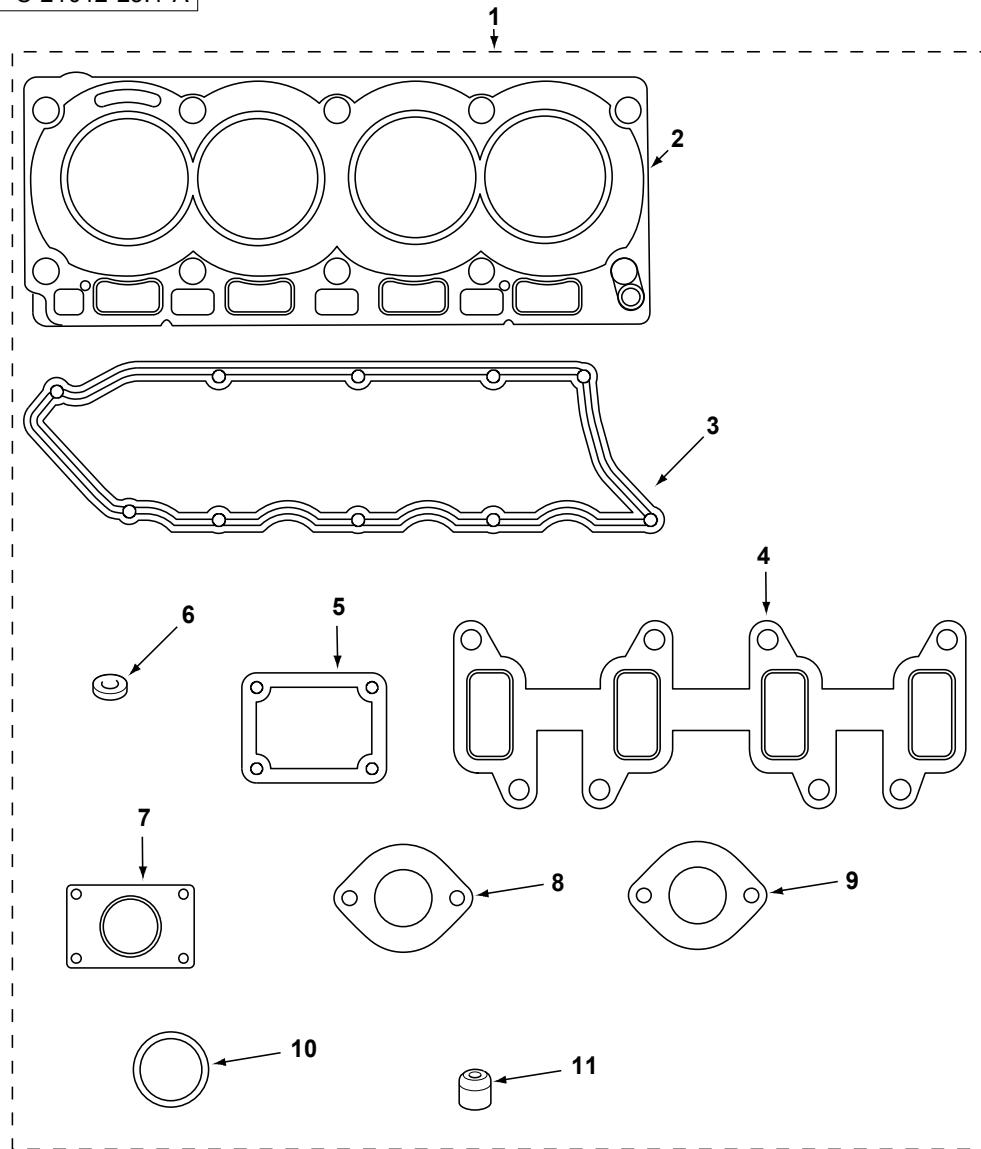
C-21012-24.1-A



Item	Part No.	Qty.	English	French	German	Spanish	Remarks
1	2314H003	12	Hex Bolt - M8 X 20	Goupille	Bolzen	Tornillo	
2	3611M006	3	Plate	Plaque	Platte	Placa	
3	3684N503	3	Joint	Joint Plat	Dichtung	Junta	
4	3347A023	1	Adaptor	Adaptateur	Reduziernippel	Adaptador	
5	2431131	1	Plug	Bouchon	Stopfen	Tapón	
6	2431154	1	Plug	Bouchon	Stopfen	Tapón	
7	2431154	1	Plug	Bouchon	Stopfen	Tapón	
8	3278A006	1	Plug	Bouchon	Stopfen	Tapón	
9	2415H003	1	O - Ring	Joint Torique	O-Ring	Junta De Tipo O	
10	33552414	1	Connector - Heater Water Feed/Return	Connecteur	Steckverbindung	Adaptador	
11	2485A118	1	Plug - Cup	Bouchon Mâle, Obturation	Verschlussstopfen	Tapón De Bloqueo	



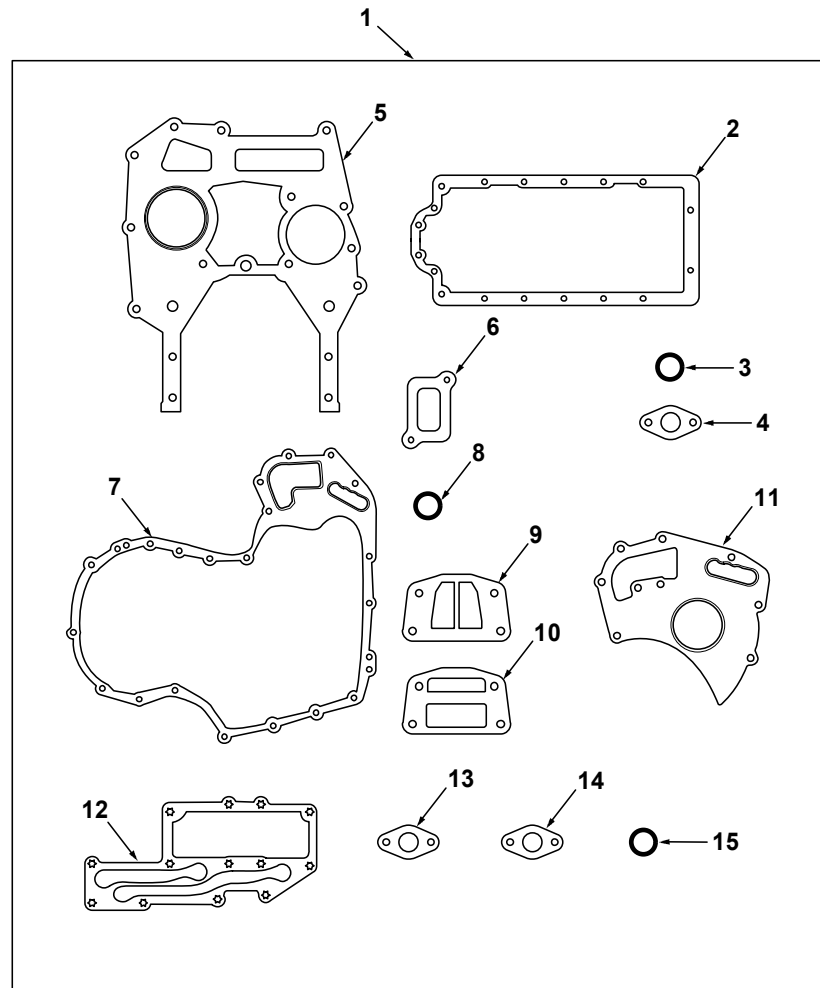
C-21012-25.1-A



Item	Part No.	Qty.	English	French	German	Spanish	Remarks
1	U5LT0350	1	Kit - Top Joint & Gasket	Jeu De Joints	Dichtungs,Satz	Juego Juntas/Empaq.	
2	3681E046	1	Gasket - Cylinder Head	Joint De Culasse	Dichtung, Zylinderko	Junta De Culata	
3	3681A055	1	Joint - Rocker Cover	Joint	Dichtring	Junta	
4	3681V512	1	Joint - Exhaust Manifold	Joint	Dichtring	Junta	
5	3684N503	1	Joint	Joint Plat	Dichtung	Junta	
6	L311FF02	4	Seal - Fuel Inj. Nozzle	Rondelle	Scheibe	Arandela	Injector
7	3688A029	1	Joint - Turbo To Manifold	Joint	Dichtung	Articulación	
8	3688A035	1	Joint	Joint Plat	Dichtung	Articulación	
9	3688A036	1	Joint	Joint Plat	Dichtung	Articulación	
10	2415H008	1	O - Ring	Joint Torique	O-Ring	Junta De Tipo O	
11	2418M514	8	Valve Stem Seal	Jeu Etancheite	Dichtringsatz	Anillo, Estanqueidad	



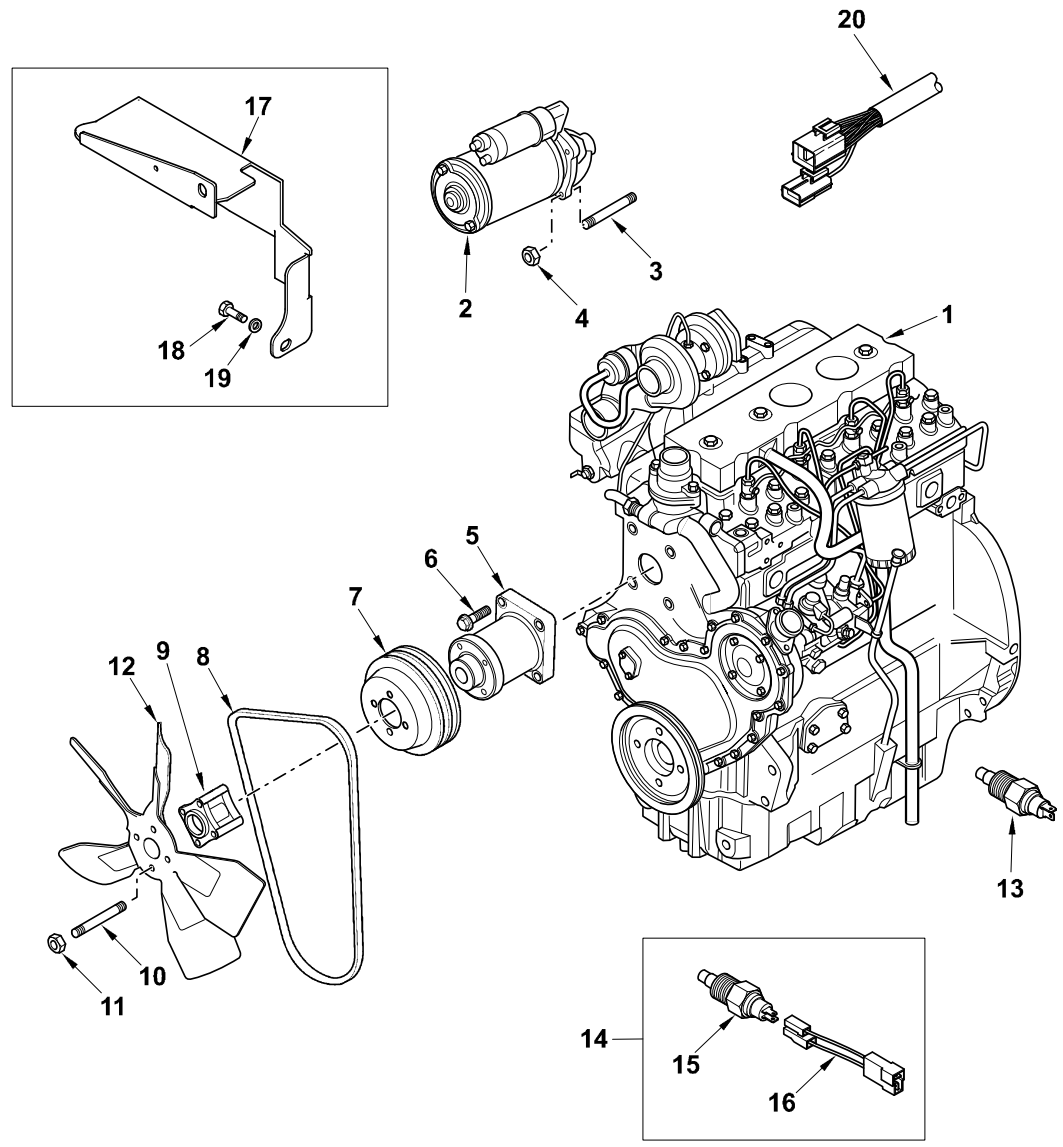
C-21012-26.1-A



Item	Part No.	Qty.	English	French	German	Spanish	Remarks
1	U5LB0376	1	Kit - Bottom Joint And Gasket	U5lb0376	Dichtungssatz	Juego Juntas/Empaq.	
2	3681K037	1	Joint - Sump	Joint	Dichtring	Junta	
3	2415715	1	O-Ring - Sump Plug	Joint Torique	O-Ring	Junta De Tipo O	
4	36832137	1	Joint, Turbo Lub. Oil Drain Pipe	Articulation	Dichtring	Articulación	
5	3617V015	1	Joint - Timing Case	Articulation	Verbindung, Gelenk	Articulación	
6	3617V016	1	Joint - Timing Case	Articulation	Verbindung, Gelenk	Articulación	
7	3681P046	1	Joint - Timing Case Cover	Articulation	Verbindung, Gelenk	Articulación	
8	26420318	1	O-Ring	Joint Torique	O-Ring	Junta De Tipo O	
9	3688A041	1	Joint	Joint Plat	Dichtung	Articulación	
10	3688A039	1	Joint	Joint Plat	Dichtung	Articulación	
11	3682A011	1	Joint - Water Pump	Joint Plat	Dichtung	Articulación	
12	3688A035	1	Joint	Joint Plat	Dichtung	Articulación	
13	3685A024	1	Joint	Joint Plat	Dichtung	Articulación	
14	3685A025	1	Joint	Joint Plat	Dichtung	Junta	
15	2415787	1	O - Ring	Joint Torique	O-Ring	Junta De Tipo O	



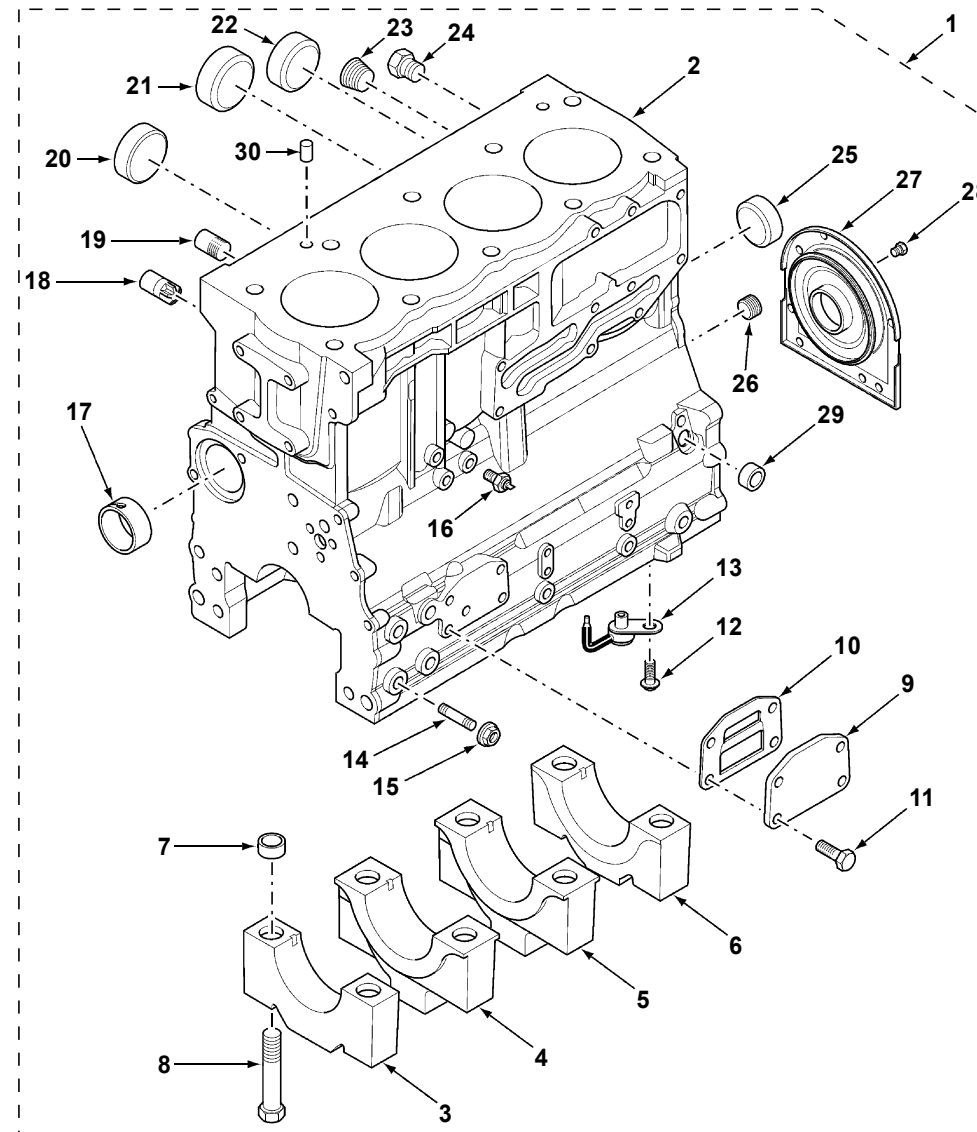
C-21013-01.1-E



Item	Part No.	Qty.	English	French	German	Spanish	Remarks
1	6109945M91	1	Engine-100hp Green-With Air Con	Ensemble De Moteur Thermique	Dieselmotor Kpl.	Motor Térmico, Conj.	
2	2873K404	1	Starter Motor	Demarreur	Anlasser	Arrancador	
3	2313C078	3	Stud	Goujon	Stehbolzen	Espárrago	
4	2318A604	3	Nut	Ecrou	Mutter	Tuerca	
5	4113K005	1	Housing - Fan Drive	Carter	Gehäuse	Cárter, Conj.	
6	2314J005	4	Bolt	Goupille	Bolzen	Perno	
7	3115C113	1	Pulley - Fan	Poulie Ventil.	Rs, Lüfter	Polea	
8	2614B650	2	Belts - Matched Pair (2)	Courroie	Keilrlüfter	Correa Trapezoidal	
9	3748W223	1	Fan Spacer	Rallonge	Verlängerung	Extensión	
10	2313H229	4	Stud	Goujon	Stehbolzen	Espárrago	
11	2318D208	4	Nut	Ecrou	Mutter	Tuerca	
12	6110111M91	1	Fan 20"	Ventilateur	Lüfter	Ventilador	
13	6110563M91	1	Water Temperature Sender / Switch	Capteur	Sensor	Captador	Ref. 13
14	#KIT, PARTS	1	Kit, Parts	Kit, Parts	Kit, Parts	Kit, Parts	Ref. 14
15	6111886M91	1	Water Temperature Sender/Switch	Capteur	Sensor	Captador	
16	6111830M91	1	Adaptor Harness	Faisceau	Kabelbaum	Haz	
17	6111448M1	1	Plate - De•ector	Dé•ecteur	Abweisblech	De•ector	
18	3009491X1	2	Bolt M10 X 20	Boulon	Maschschraube M10	Tornillo	
19	390734X1	2	Washer M10-21-2 Z	Rondelle - M10	Unterlegscheibe	Arandela	
20	6112296M91	1	Wire Harness	Faisceau Electrique	Kabelbaum	Kabelbaum	Ec06/395



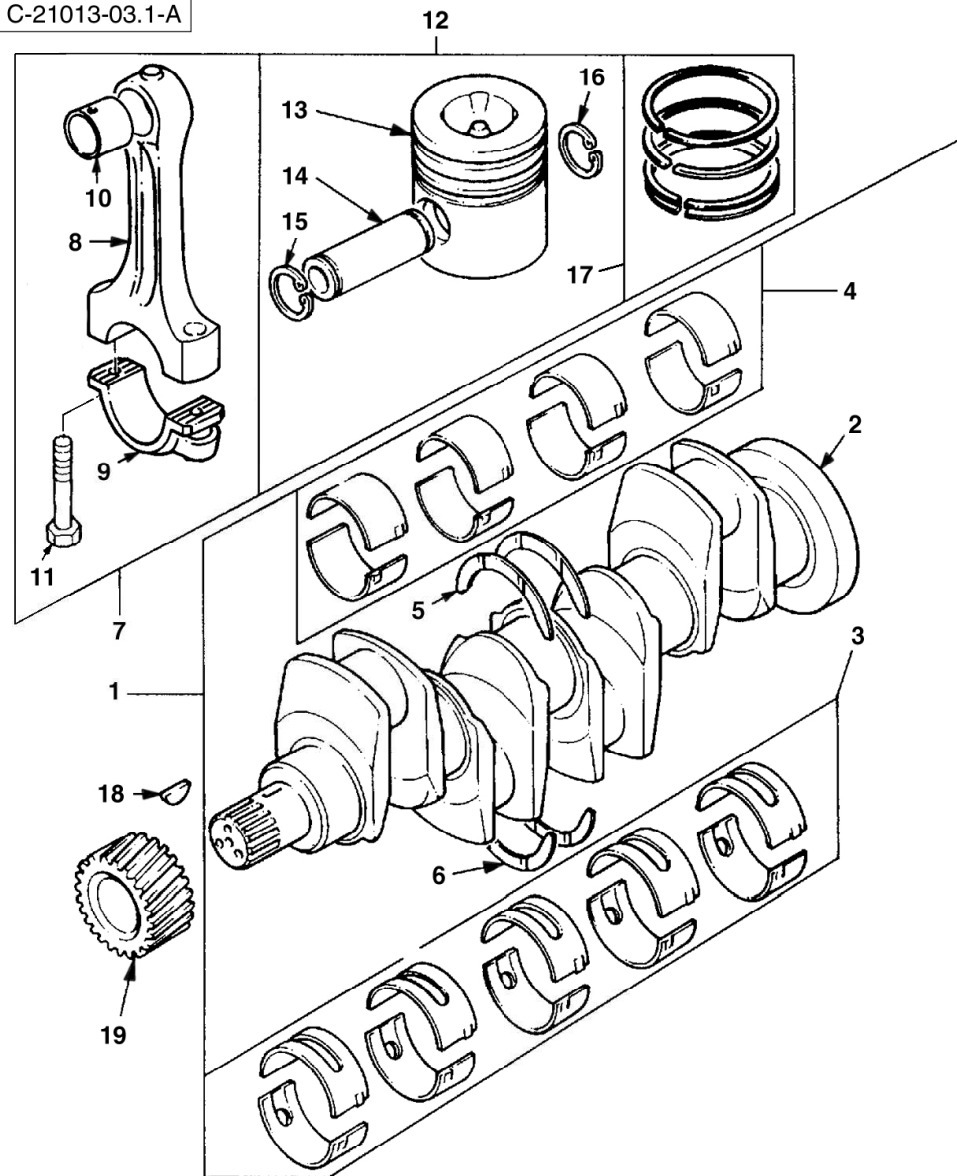
C-21013-02.1-A



Item	Part No.	Qty.	English	French	German	Spanish	Remarks
1	ZZ50311	1	Kit - Cylinder Block	Bloc Cylindres	Motorblock	Bloque Cilindros	
2	#BLOCK, CYLINDER	1	Block, Cylinder	Block, Cylindre	Block, Cylinder	Block, Cylinder	Ref. 1
3	#BEARING, SUPPORT	1	Bearing, Support	Bearing, Support	Bearing, Support	Bearing, Support	Ref. 1
4	#BEARING, SUPPORT	2	Bearing, Support	Bearing, Support	Bearing, Support	Bearing, Support	Ref. 1
5	#BEARING, SUPPORT	1	Bearing, Support	Bearing, Support	Bearing, Support	Bearing, Support	Ref. 1
6	#BEARING, SUPPORT	1	Bearing, Support	Bearing, Support	Bearing, Support	Bearing, Support	Ref. 1
7	33142111	10	Thimble	Cosse	Muffe	Anillo De Centrado	
8	32166329	10	Screw	Vis	Schraube	Tornillo	
9	3623A009	1	Plate - Blanking	Plaque	Platte	Placa	
10	3688A039	1	Joint	Joint Plat	Dichtung	Articulación	
11	2314H033	4	Screw	Vis	Schraube	Tornillo	
12	2314F001	4	Screw	Vis	Schraube	Tornillo	
13	2113A001	4	Piston : Cooling Jet - Nla	Refroidisseur	Kühler	Enfriador	
14	2313M101	8	Eng/Mt Studs P/Kins 35mm	Goujon	Stehbolzen	Espárrago	
15	2318A605	8	Eng/Mt Nuts	Ecrou	Sechskantmutter	Tuerca	
16	2848062	1	Oil Pressure Switch	Sonde	Messfühler	Sonda	
17	3112D071	1	Bush - Camshaft	Douille	Büchse	Casquillo	
18	3212V006	1	Plug	Bouchon	Stopfen	Tapón	
19	3212V005	1	Plug	Bouchon	Stopfen	Tapón	
20	2485A108	1	Plug - Blanking	Obturateur	Verschlussstopfen	Tapón De Bloqueo	
21	3241A011	2	Plug	Bouchon	Stopfen	Tapón	
22	0650710	1	Core Plug	Bouchon	Stopfen	Tapon	
23	0650588	1	Plug	Bouchon	Stopfen	Tapon	
24	32141316	2	Plug	Bouchon	Stopfen	Tapón	
25	3241A012	1	Plug	Bouchon	Stopfen	Tapón	
26	3212P008	1	Plug	Bouchon	Stopfen	Tapón	
27	2418F704	1	Housing - Rear Oil Seal	Carter	Gehäuse	Cárter	
28	3211C002	10	Bolt - Metric	Goupille	Bolzen	Perno	
29	2485A109	1	Plug	Bouchon	Stopfen	Tapón	
30	3244A009	2	Dowel	Plot	Zylinderstift	Peón	



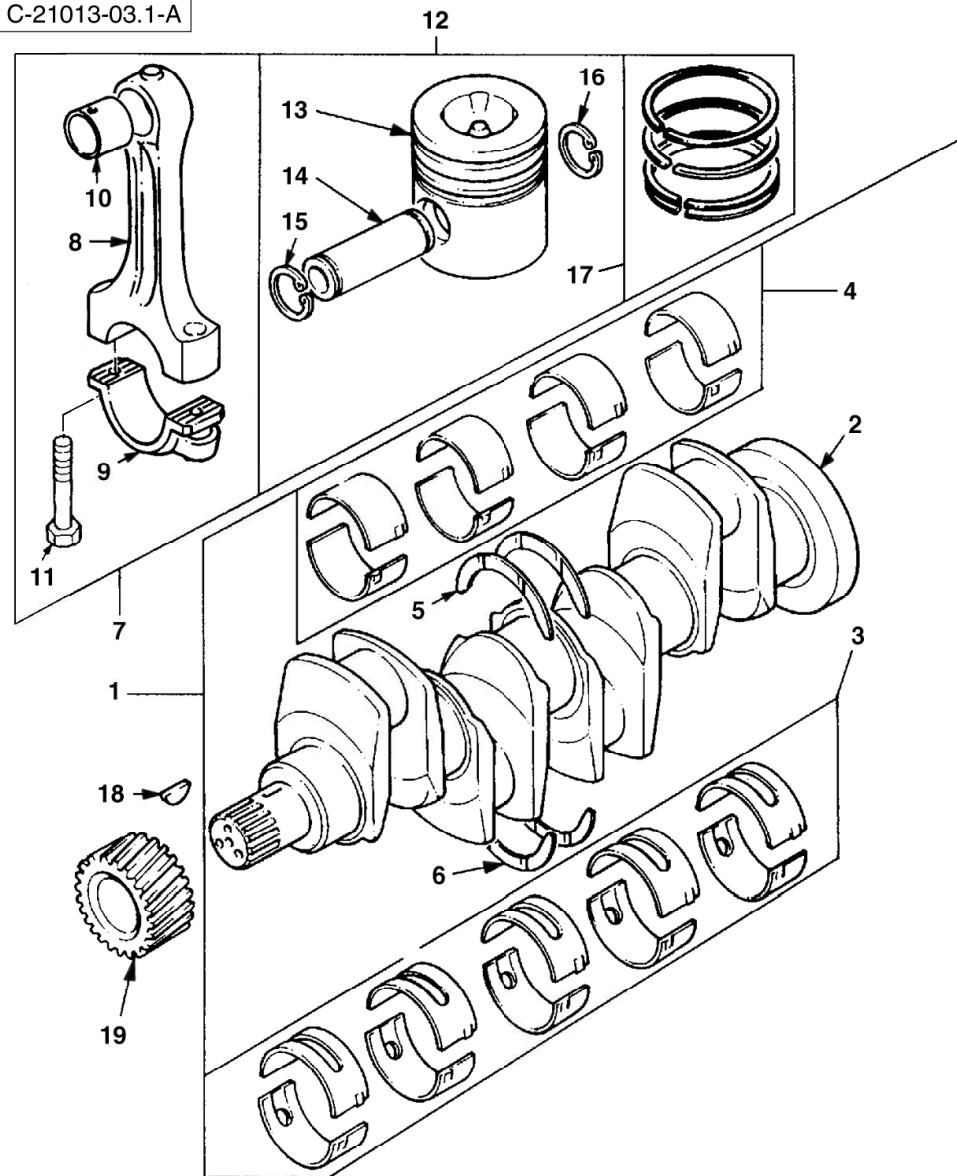
C-21013-03.1-A



Item	Part No.	Qty.	English	French	German	Spanish	Remarks
1	ZZ90222	1	Kit - Crankshaft	Ensemble Vilebrequin	Kurbelwelle Kpl.	Cigüeñal, Conj.	
2	#CRANKSHAFT	1	Crankshaft	Crankshaft	Crankshaft	Crankshaft	Ref. 1
3	U5MB0018C	0	Kit - Main Bearing (+)0.030"	Jeu Coussinets	Lagersatz	Cojinete De Palier	
3	U5MB0018A	0	Kit - Main Bearing (+)0.010"	Jeu Coussinets	Lagersatz	Cojinete De Palier	
3	U5MB0018B	0	Kit - Main Bearing (+)0.020"	Jeu Coussinets	Lagersatz	Cojinete De Palier	
3	U5MB0018	1	Kit - Main Bearing (Standard)	Jeu Coussinets	Lagersatz	Cojinete De Palier	
4	U5ME0013	1	Kit - Big End Bearing (Standard)	Jeu Coussinets	Lagersatz	Cojinete De Biela	
4	U5ME0013A	0	Kit - Big End Bearing (+)0.010"	Jeu Coussinets	Lagersatz	Cojinete De Biela	
4	U5ME0013B	0	Kit - Big End Bearing (+)0.020"	Jeu Coussinets	Lagersatz	Cojinete De Biela	
4	U5ME0013C	0	Kit - Big End Bearing (+)0.030"	Jeu Coussinets	Lagersatz	Cojinete De Biela	
5	31137551	1	Thrust Washer	Rondelle De Butée	Druckscheibe	Calce	
5	31137312	0	Thrust Washer (+) 0.007"	Rondelle De Butée	Druckscheibe	Calce	
6	31137561	1	Washer - Thrust	Rondelle Butee	Druckscheibe	Calce	
6	31137322	0	Thrust Washer (+) 0.007"	Rondelle De Butée	Druckscheibe	Calce	
7	4115C311	4	Conrod Kit - Grade 'f' (Red)	Ensemble De Bielle	Pleuelstange Kpl.	Biela, Conj.	
7	4115C316	4	Conrod Kit - Grade 'l' (Blue)	Ensemble De Bielle	Pleuelstange Kpl.	Biela, Conj.	
7	4115C315	4	Conrod Kit - Grade 'k' (Purple)	Ensemble De Bielle	Pleuelstange Kpl.	Biela, Conj.	
7	4115C314	4	Conrod Kit - Grade 'j' (Green)	Ensemble De Bielle	Pleuelstange Kpl.	Biela, Conj.	
7	4115C313	4	Conrod Kit - Grade 'h' (White)	Ensemble De Bielle	Pleuelstange Kpl.	Biela, Conj.	
7	4115C312	4	Conrod Kit - Grade 'g' (Orange)	Ensemble De Bielle	Pleuelstange Kpl.	Biela, Conj.	
8	#ROD, CONNECTING	1	Rod, Connecting	Rod, Connecting	Rod, Connecting	Rod, Connecting	Ref. 7
9	#CAP	1	Cap	Chapeau	Kappe	Tapa	Ref. 7
10	3112A005	1	Bush - Small End	Douille	Büchse	Casquillo	
11	3212V003	2	Bolt - Con Rod	Goupille	Bolzen	Perno	
12	4115P015	4	Kit - Piston And Ring	Jeu Segm Piston	Kolbenringsatz	Pistón, Conj.	
13	#PISTON	1	Piston	Piston	Piston	Piston	Ref. 12
14	#PIN	1	Pin	Goupille	Bolzen	Pasador	Ref. 12
15	2721332	1	Circlip - Gudgeon Pin	Segment D'Arrêt	Sicherungsring	Circlip	
16	2721332	1	Circlip - Gudgeon Pin	Segment D'Arrêt	Sicherungsring	Circlip	
17	UPRK0002	1	Kit - Piston Ring	Jeu Segm Piston	Kolbenringsatz	Juego De Segmentos	



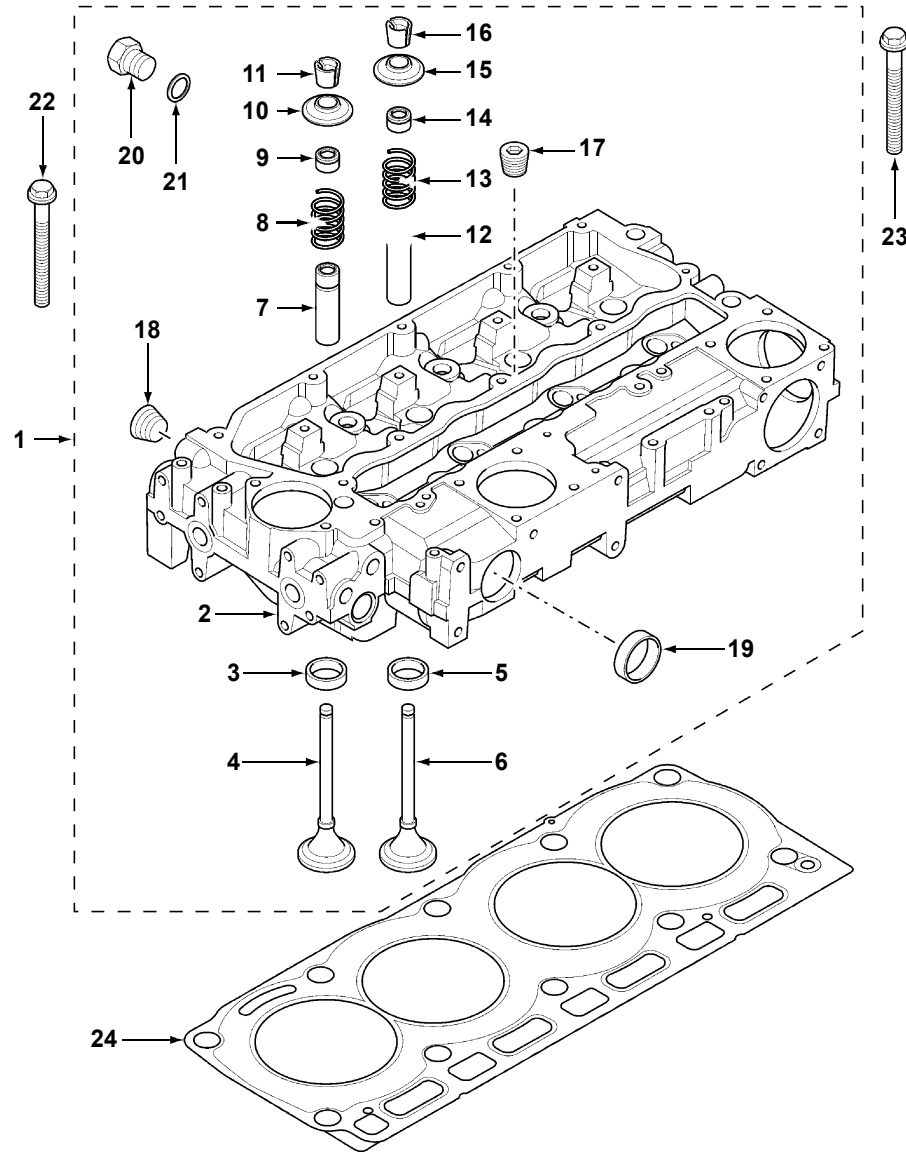
C-21013-03.1-A



Item	Part No.	Qty.	English	French	German	Spanish	Remarks
18	0500012	1	Key - Woodruff	Clavette Demi-Lune	Scheibenfeder	Chaveta Media-Luna	
19	3117C221	1	Gear - Crankshaft	Pignon	Zahnrad	Piñón	



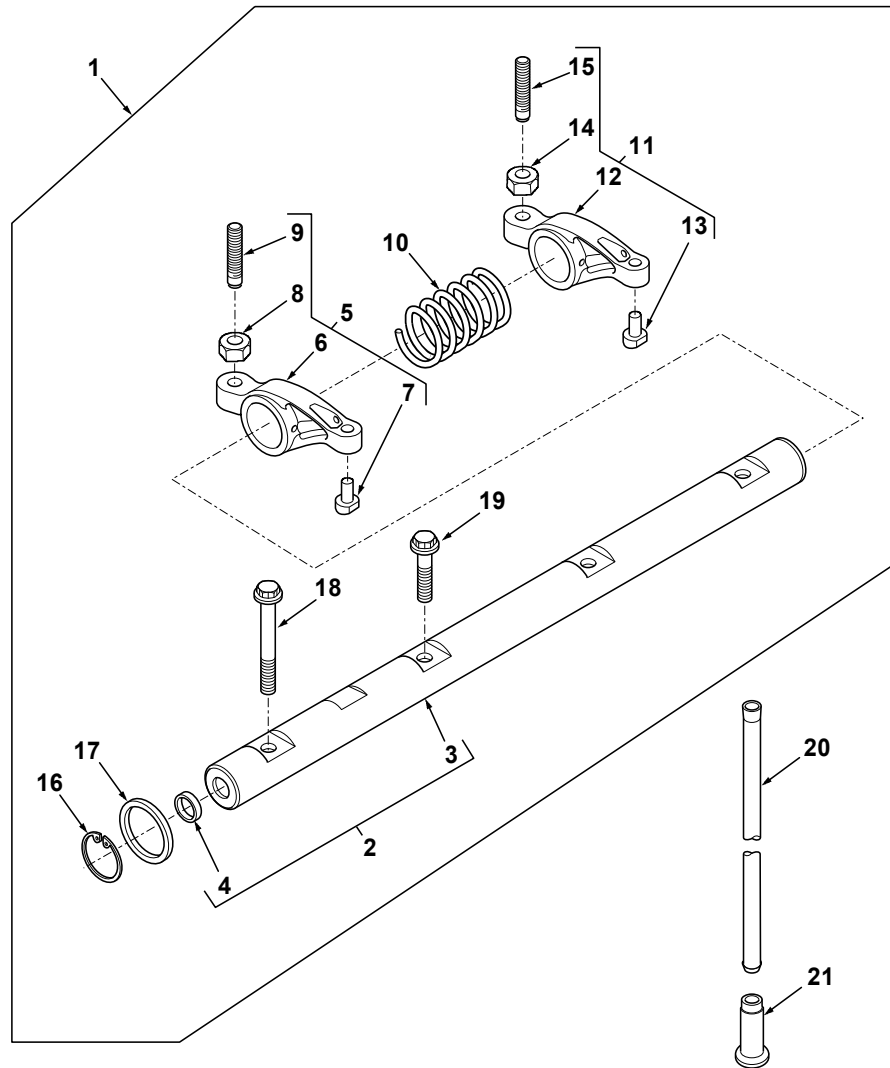
C-21013-04.1-A



Item	Part No.	Qty.	English	French	German	Spanish	Remarks
1	ZZ80268	1	Kit - Cylinder Head	Culasse	Kopf, Zylinder	Culata	
2	#HEAD, CYLINDER	1	Head, Cylinder	Head, Cylinder	Head, Cylinder	Head, Cylinder	Ref. 1
3	3314A151	4	Inlet Valve Insert	Insert	Einsatz	Inserción	
4	3142H071	4	Valve - Inlet	Soupape D'Admission	Einlassventil	Válvula De Admisión	
5	3314A161	4	Exhaust Valve Insert	Insert	Einsatz	Inserción	
6	3142A151	4	Valve - Exhaust	Soupape Echappem.	Auslassventil	Válvula De Escape	
7	3313E021	4	Valve Guide	Guide	Führung	Guía	
8	3174A016	4	Spring - Valve	Ressort, Soupape	Ventilfeder	Muelle, Válvula	
9	2418M514	4	Valve Stem Seal	Jeu Etancheite	Dichtringsatz	Anillo, Estanqueidad	
10	3342A011	4	Valve Cap	Chapeau	Kappe	Sombbrero	
11	3142W004	4	Retainer	Arrêtoir	Befestigungsteil	Fijación	
12	3313E021	4	Valve Guide	Guide	Führung	Guía	
13	3174A016	4	Spring - Valve	Ressort, Soupape	Ventilfeder	Muelle, Válvula	
14	2418M514	4	Valve Stem Seal	Jeu Etancheite	Dichtringsatz	Anillo, Estanqueidad	
15	3342A011	4	Valve Cap	Chapeau	Kappe	Sombbrero	
16	3142W004	4	Retainer	Arrêtoir	Befestigungsteil	Fijación	
17	0650588	4	Plug	Bouchon	Stopfen	Tapon	
18	2431154	1	Plug	Bouchon	Stopfen	Tapón	
19	32416117	2	Plug	Bouchon	Stopfen	Tapón	
20	3278A006	1	Plug	Bouchon	Stopfen	Tapón	
21	2415H003	1	O - Ring	Joint Torique	O-Ring	Junta De Tipo O	
22	3218A011	7	Screw	Vis	Schraube	Perno	
23	3218A012	3	Screw	Vis	Schraube	Perno	
24	3681E046	1	Gasket - Cylinder Head	Joint De Culasse	Dichtung, Zylinderko	Junta De Culata	



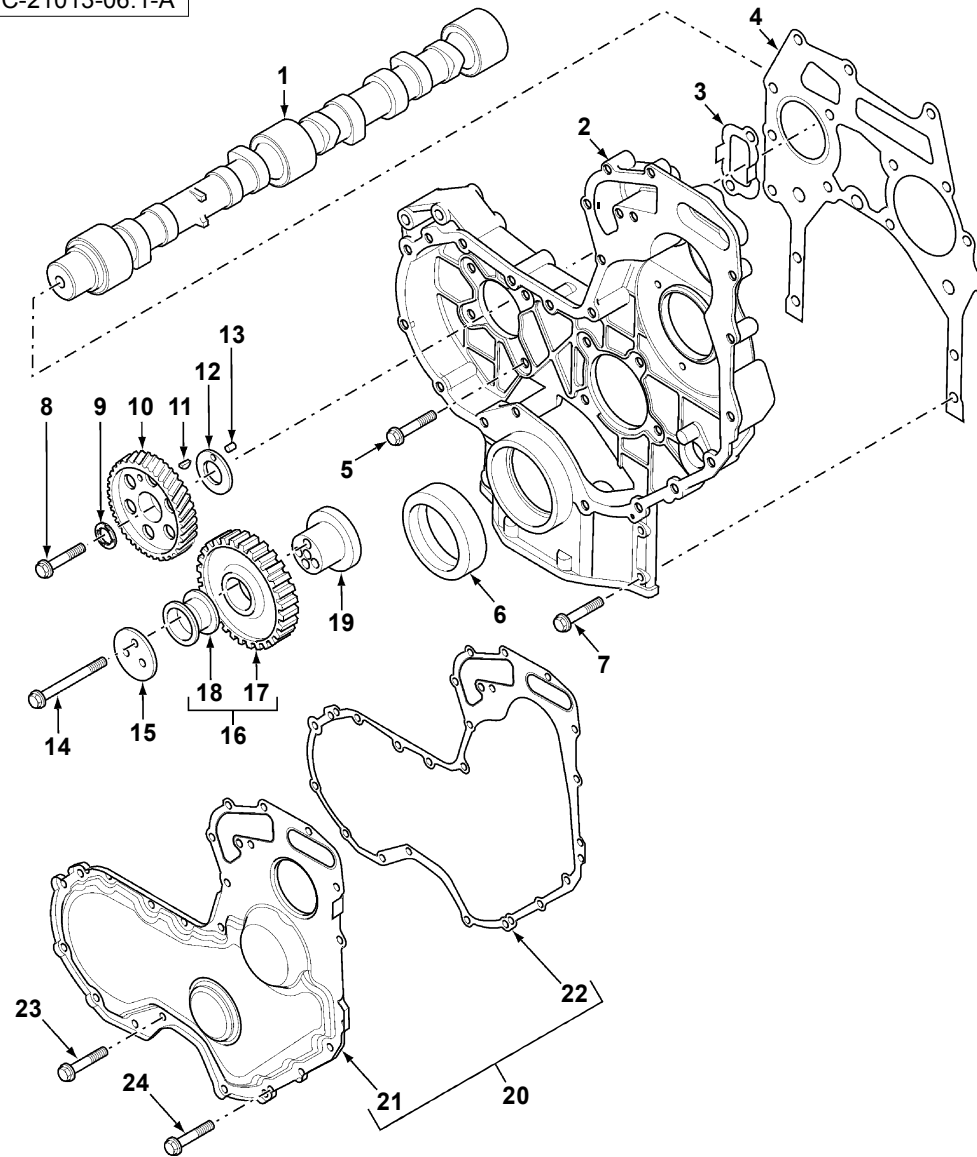
C-21013-05.1-A



Item	Part No.	Qty.	English	French	German	Spanish	Remarks
1	4115R612	1	Rocker Assembly	Ensemble De L'Arbre	Welle Kpl.	Árbol, Conj.	
2	4115R703	1	Rocker Shaft Assembly	Arbre Culbuteurs	Schwingwelle	Árbol, Conj.	
3	#SHAFT	1	Shaft	Shaft	Shaft	Shaft	Ref. 2
4	2485A104	2	Plug	Bouchon	Stopfen	Tapón	
5	4115R314	4	Rocker Arm Assembly	Culbuteur	Ventilhebel	Balancín De Válvula	
6	#ARM	1	Arm	Bras	Arm	Brazo	Ref. 5
7	#PAD	1	Pad	Pad	Pad	Pad	Ref. 5
8	0576052	1	Nut	Ecrou	Mutter	Tuerca	
9	32114145	1	Screw	Vis	Schraube	Tornillo	
10	3174A015	3	Spring - Rocker Shaft	Siège De Ressort	Federsitz	Muelle	
11	4115R315	4	Rocker Arm Assembly	Culbuteur	Ventilhebel	Balancín De Válvula	
12	#ARM	1	Arm	Bras	Arm	Brazo	Ref. 11
13	#PAD	1	Pad	Pad	Pad	Pad	Ref. 11
14	0576052	1	Nut	Ecrou	Mutter	Tuerca	
15	32114145	1	Screw	Vis	Schraube	Tornillo	
16	2722A022	2	Circlip	Segment D'Arrêt	Sicherungsring	Circlip	
17	2134A502	2	Washer	Rondelle	Scheibe	Arandela	
18	2316A901	1	Screw	Vis	Schraube	Tornillo	
19	2316A902	3	Screw	Vis	Schraube	Tornillo	
20	31434307	8	Rod - Push	Tige De Culbuteur	Stange, Stössel-	Varilla	
21	3142U031	8	Cam Follower	Poussoir	Stössel	Pulsador	



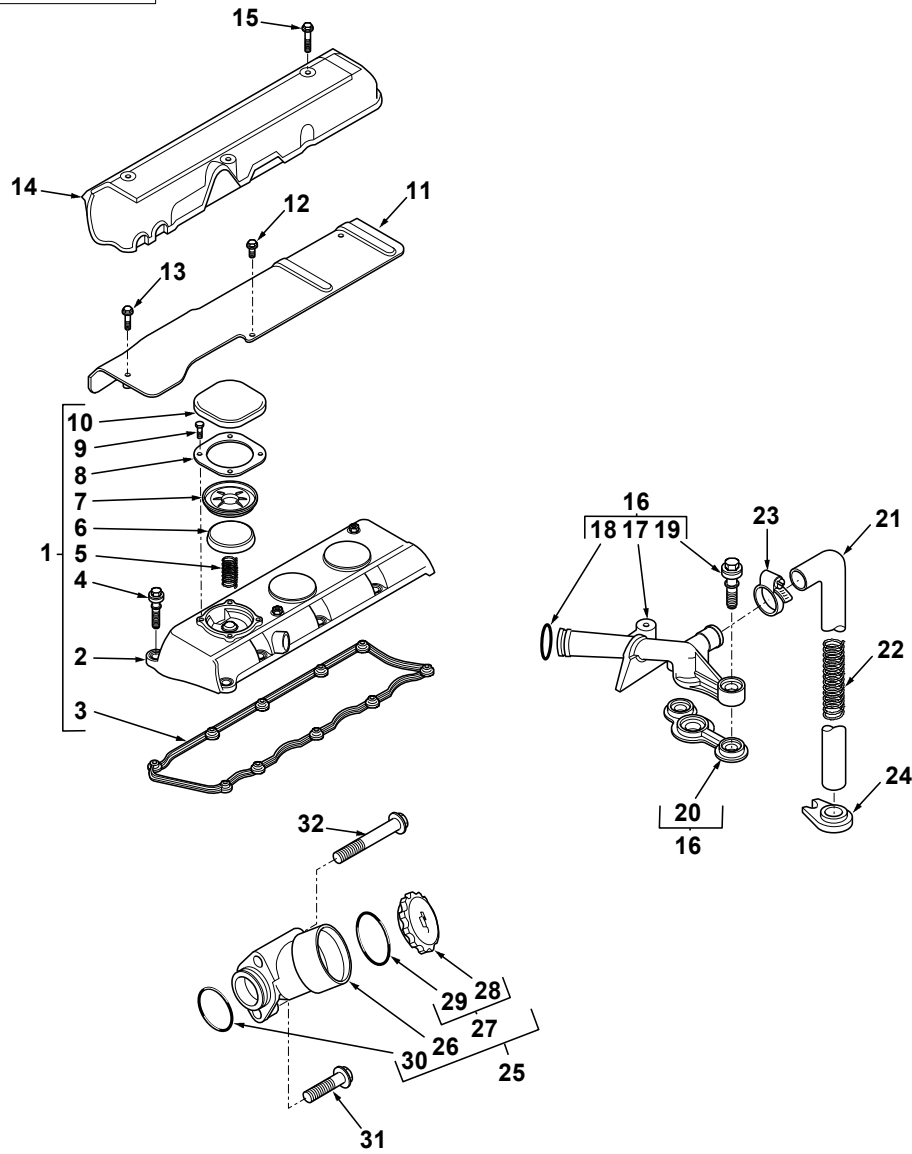
C-21013-06.1-A



Item	Part No.	Qty.	English	French	German	Spanish	Remarks
1	3141D222	1	Camshaft	Arbre A Cames	Nockenwelle	Árbol De Levas	
2	3716C461	1	Case - Timing Gear	Carter	Gehäuse	Cárter	
3	3617V016	1	Joint - Timing Case	Articulation	Verbindung, Gelenk	Articulación	
4	3617V015	1	Joint - Timing Case	Articulation	Verbindung, Gelenk	Articulación	
5	2314H003	8	Hex Bolt - M8 X 20	Goupille	Bolzen	Tornillo	
6	2418F436	1	Oil Seal - Timing Cover	Joint D´Arbre	Wellendichtring	Anillo, Estanqueidad	
7	2314H034	4	Screw	Vis	Schraube	Tornillo	
8	2314J606	1	Camshaft Bolt	Vis	Schraube	Tornillo	
9	3112X011	1	Washer - Thrust	Rondelle De Butée	Druckscheibe	Arandela De Tope	
10	3117N001	1	Gear - Camshaft	Pignon	Zahnrad	Piñón	
11	0500012	1	Key - Woodruff	Clavette Demi-Lune	Scheibenfeder	Chaveta Media-Luna	
12	3321A003	1	Washer	Rondelle	Scheibe	Arandela	
13	2116053	1	Dowel	Plot	Zylinderstift	Peón	
14	2314J010	3	Screw	Vis	Schraube	Tornillo	
15	3241H009	1	Plate	Plaque	Platte	Placa	
16	3117N042	1	Gear - Idler	Ensemble D'engrenage	Zahnradgetriebe Kpl.	Engranaje, Conj.	
17	#GEAR	1	Gear	Gear	Gear	Gear	Ref. 16
18	0050345	2	Bush	Douille	Buechse	Juego De Anillos	
19	33426161	1	Hub	Moyeu	Nabe	Cubo	
20	4142A501	1	Kit - Front Cover	Jeu Couvercle	Deckel Satz	Tapa, Conj.	
21	#COVER	1	Cover	Cover	Cover	Cover	Ref. 20
22	3681P046	1	Joint - Timing Case Cover	Articulation	Verbindung, Gelenk	Articulación	
23	2314H002	10	Screw	Vis	Schraube	Tornillo	
24	2314H012	5	Screw	Vis	Schraube	Tornillo	



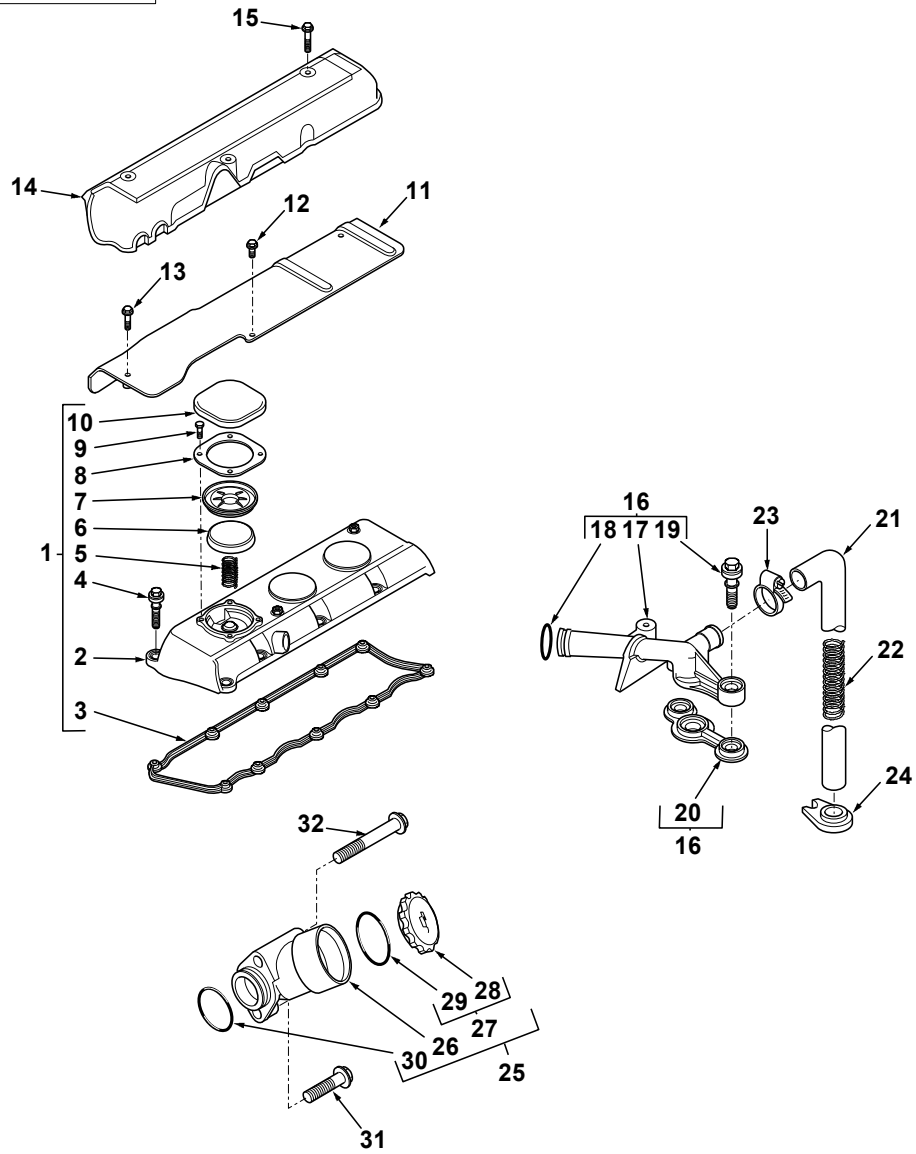
C-21013-07.1-A



Item	Part No.	Qty.	English	French	German	Spanish	Remarks
1	4142X294	1	Cover- Cylinder Head	Cache	Abdeckung	Tapa, Conj.	
2	#COVER	1	Cover	Cache	Cover	Cover	Ref. 1
3	3681A055	1	Joint - Rocker Cover	Joint	Dichtring	Junta	
4	2161A011	10	Screw	Vis	Schraube	Tornillo	
5	3174A017	1	Spring	Siège De Ressort	Federsitz	Muelle	
6	3788A002	1	Filler Cap	Capuchon	Wetterkappe	Sombbrero	
7	3789A001	1	Diaphragm	Diaphragme	Membran	Diafragma	
8	3615A009	1	Plate - Cover	Plaque De Fermeture	Verschlussplatte	Placa De Cierre	
9	2151A001	4	Screw	Vis	Schraube	Tornillo	
10	3788A003	1	Cap	Capuchon	Wetterkappe	Sombbrero	
11	3812A026	1	Heatshield	Garant Thermique	Hitzeschutz	Pantalla Térmica	
12	2314F001	2	Screw	Vis	Schraube	Tornillo	
13	2314F006	1	Screw	Vis	Schraube	Tornillo	
14	3788N005	1	Cover	Cache	Abdeckung	Tapa	
15	2314F005	3	Screw (Pack Of 10)	Vis	Schraube	Tornillo	
16	4134K015	1	Thermostat Housing	Tuyau Reni*ard	Entlufteleitg	Ventil. Cáster, Conj.	
17	#BREATHER	1	Breather	Breather	Breather	Breather	Ref. 16
18	2415A068	1	O - Ring	Joint Torique	O-Ring	Junta De Tipo O	
19	2161A011	2	Screw	Vis	Schraube	Tornillo	
20	3688A038	1	Joint	Joint Plat	Dichtung	Articulación	
21	33872632	1	Hose	Flexible	Schlauch	Tubo Flexible	
22	3175P003	1	Spring, Eng. Breather Hose Reinf.	Siège De Ressort	Federsitz	Muelle	
23	2481877	1	Hose Clip	Bride Pour Tutaux	Schlauchschelle	Argolla De Cierre	
24	36241123	1	Support Bracket	Patte Fixation	Halter	Pata De Fijación	
25	4134C043	1	Lubricating Oil Filler	Rempliss.Huile	Einfüllstutzen	Rellenador	
26	#FILLER	1	Filler	Filler	Filler	Filler	Ref. 25
27	4142X098	1	Oil Filler Cap Assy	Capuchon	Wetterkappe	Casco	
28	#CAP	1	Cap	Chapeau	Kappe	Tapa	Ref. 27
29	2415633	1	Seal - Cap	Joint Torique	O-Ring	Junta De Tipo O	
30	2415B148	1	O - Ring	Joint Torique	O-Ring	Junta De Tipo O	



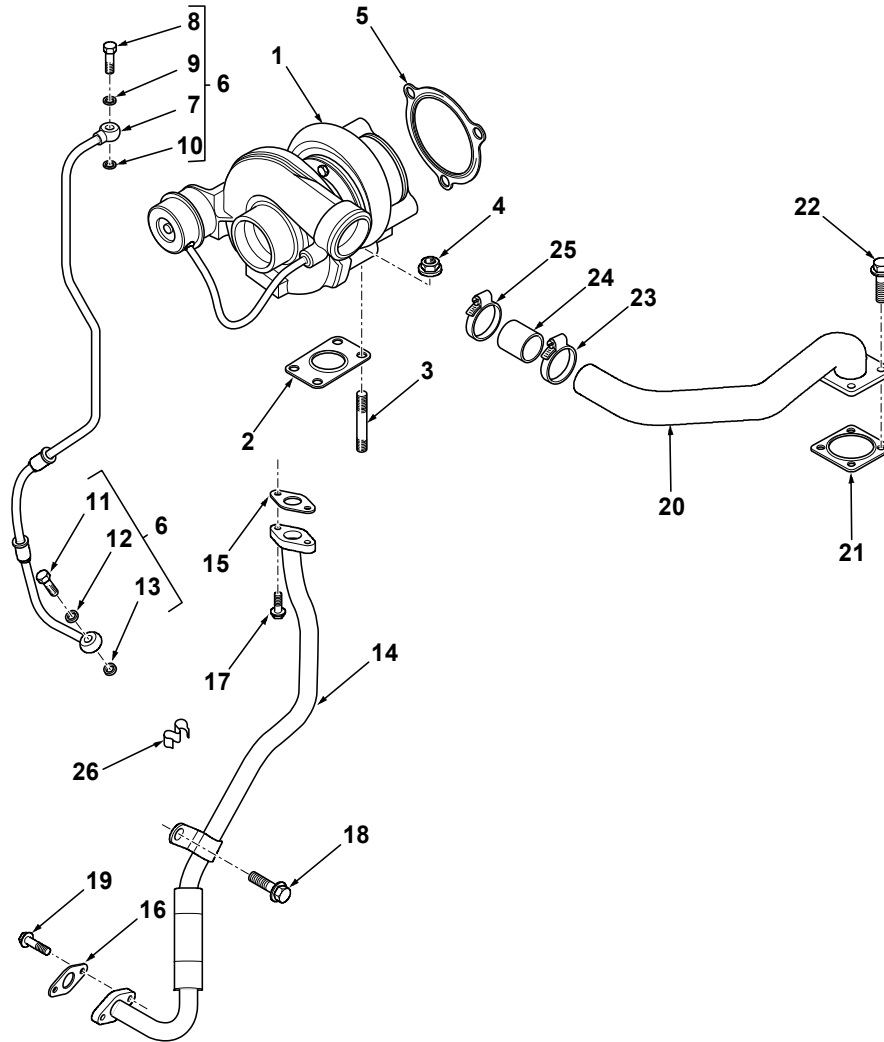
C-21013-07.1-A



Item	Part No.	Qty.	English	French	German	Spanish	Remarks
31	2314H005	1	Screw	Vis	Schraube	Tornillo	
32	2314K161	1	Screw	Vis	Schraube	Tornillo	



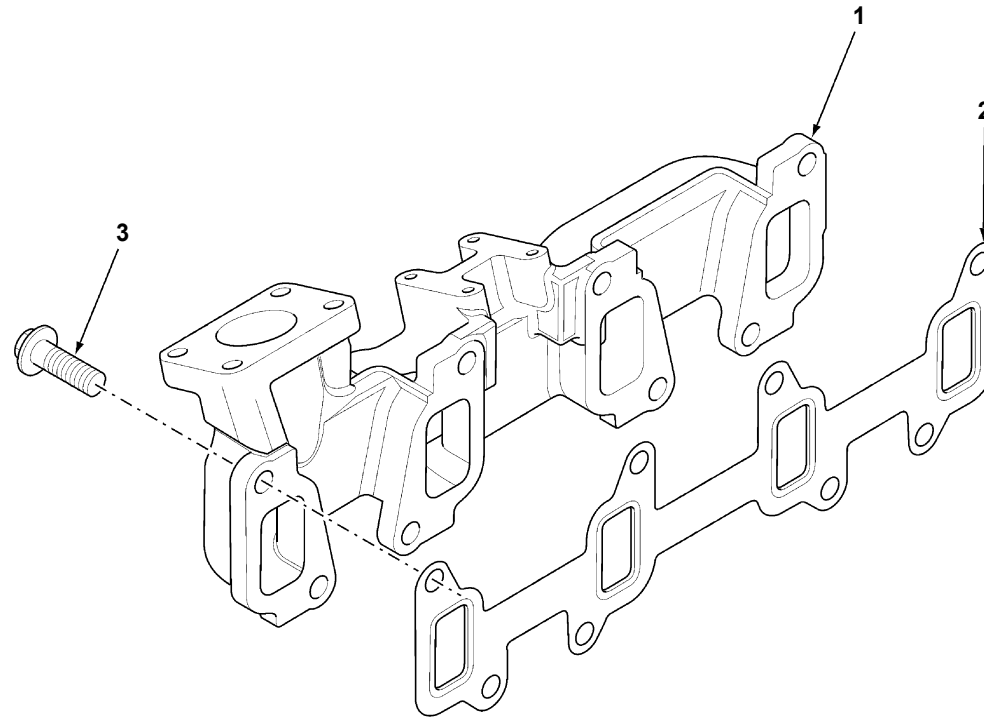
C-21013-08.1-A



Item	Part No.	Qty.	English	French	German	Spanish	Remarks
1	2674A226	1	Turbocharger	Turbocompresseur	Turbolader	Turbocompresor, Conj.	
2	3688A029	1	Joint - Turbo To Manifold	Joint	Dichtung	Articulación	
3	3254K013	4	Stud	Goujon	Stehbolzen	Espárrago	
4	2318A634	4	M10 X 1.5 Full Nut Grd 8 Phosphate	Ecrou	Mutter	Tuerca	
5	3688A034	1	Joint - Elbow	Joint Plat	Dichtung	Articulación	
6	4128A029	1	Pipe Assy	Tuyo	Leitung, Kpl.	Tubo, Conj.	
7	#PIPE	1	Pipe	Pipe	Pipe	Pipe	Ref. 6
8	3218R036	1	Bolt - Banjo	Raccord Banjo	Hohlschraube	Perno De Banjo	
9	2131A506	1	Washer	Rondelle	Scheibe	Arandela	
10	2131A506	1	Washer	Rondelle	Scheibe	Arandela	
11	3218R036	1	Bolt - Banjo	Raccord Banjo	Hohlschraube	Perno De Banjo	
12	2131A506	1	Washer	Rondelle	Scheibe	Arandela	
13	2131A506	1	Washer	Rondelle	Scheibe	Arandela	
14	3584A003	1	Pipe Assy	Tuyo	Leitung, Kpl.	Tubo, Conj.	
15	3688A035	1	Joint	Joint Plat	Dichtung	Articulación	
16	3688A036	1	Joint	Joint Plat	Dichtung	Articulación	
17	2314F004	2	Bolt	Boulon	Schraube	Perno	
18	2314J029	1	Screw	Vis	Schraube	Tornillo	
19	2314H003	2	Hex Bolt - M8 X 20	Goupille	Bolzen	Tornillo	
20	3571C072	1	Pipe	Tuyau	Rohr	Tubo, Conj.	
21	3688A037	1	Gasket	Joint Plat	Dichtung	Articulación	
22	2314H033	4	Screw	Vis	Schraube	Tornillo	
23	2481D073	1	Clip - Hose	Collier Durit	Schlauchschelle	Clip	
24	3383A027	1	Hose	Flexible	Schlauch	Tubo Flexible	
25	2481D073	1	Clip - Hose	Collier Durit	Schlauchschelle	Clip	
26	2481D314	1	Clip	Clip	Klips	Clip	



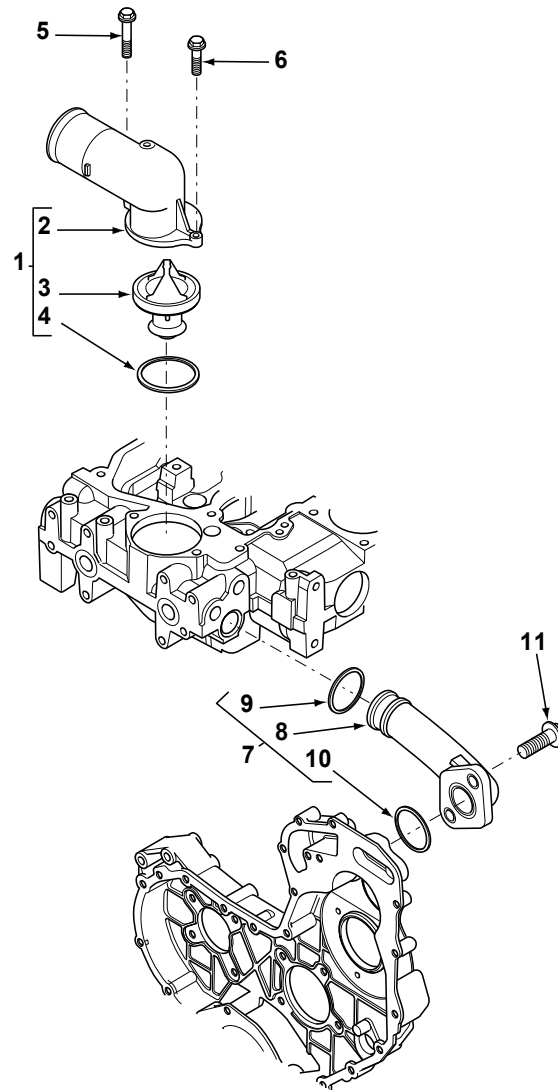
C-21013-09.1-A



Item	Part No.	Qty.	English	French	German	Spanish	Remarks
1	3778E221	1	Manifold - Exhaust	Collecteur	Krümmer	Colector	
2	3681V512	1	Joint - Exhaust Manifold	Joint	Dichtring	Junta	
3	3218J013	8	Screw	Vis	Schraube	Tornillo	

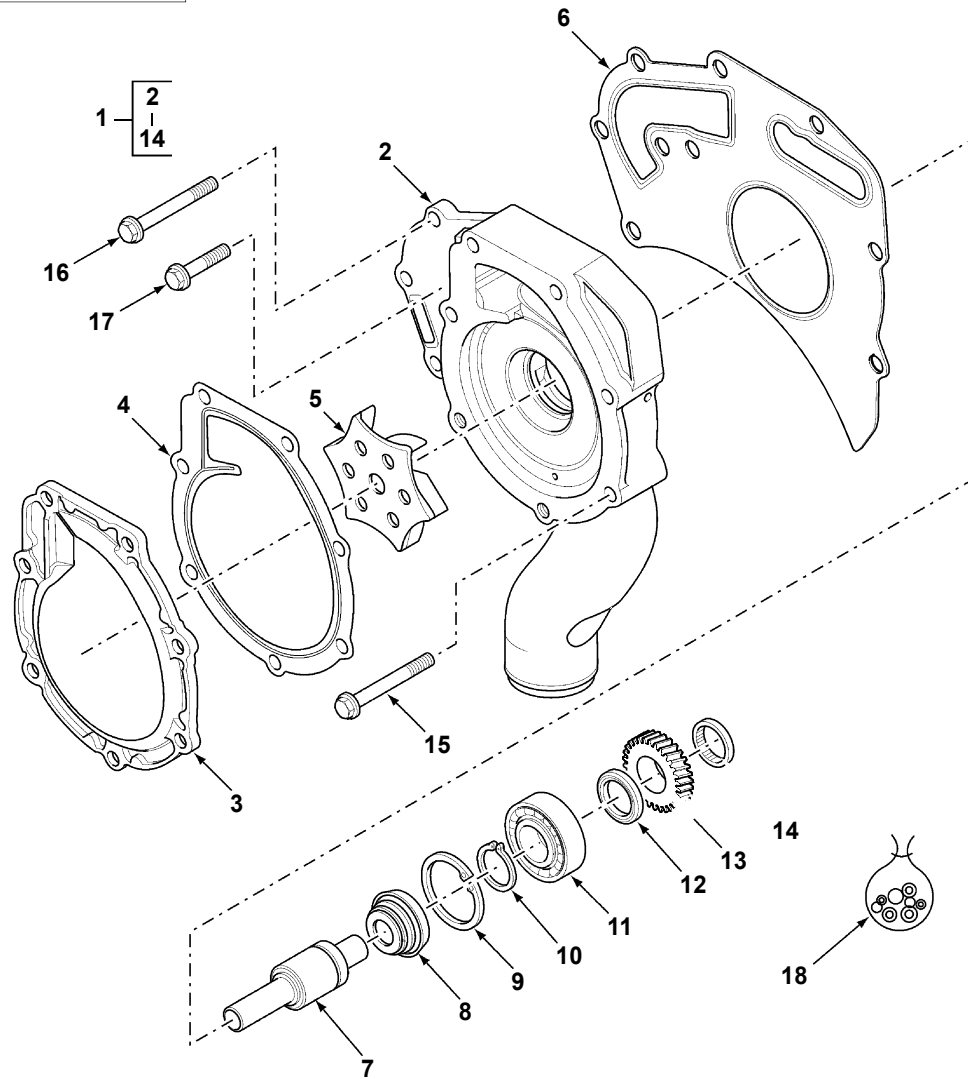


C-21013-10.1-A



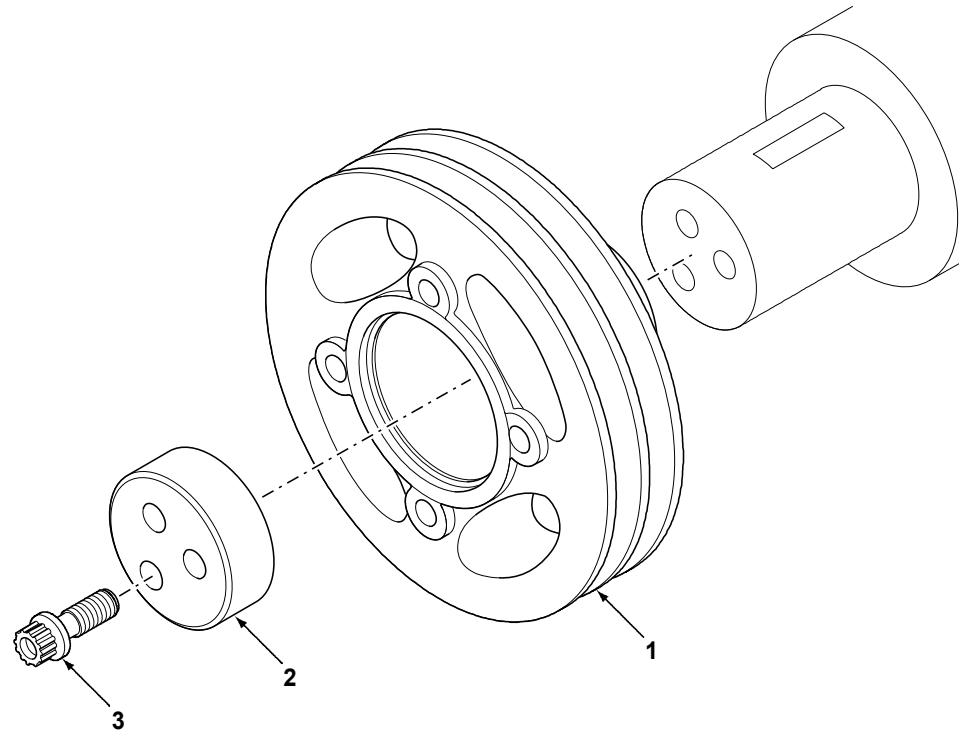
Item	Part No.	Qty.	English	French	German	Spanish	Remarks
1	4133L503	1	Manifold Assy	Connexion	Krummer Kpl.	Colector, Conj.	
2	#PIPE	1	Pipe	Pipe	Pipe	Pipe	Ref. 1
3	2485C041P	1	Thermostat	Thermostat	Thermostat	Termostato	
4	2415H008	1	O - Ring	Joint Torique	O-Ring	Junta De Tipo O	
5	2314H012	1	Screw	Vis	Schraube	Tornillo	
6	2314H004	1	Screw	Vis	Schraube	Tornillo	
7	4133L048	1	Connection	Borne	Doppelnippel	Conexión, Conj.	
8	#PIPE	1	Pipe	Pipe	Pipe	Pipe	Ref. 7
9	2418F002	1	O - Ring	Joint Torique	O-Ring	Junta De Tipo O	
10	2418F001	1	O - Ring	Joint Torique	O-Ring	Junta De Tipo O	
11	2314H003	2	Hex Bolt - M8 X 20	Goupille	Bolzen	Tornillo	

C-21013-11.1-A



Item	Part No.	Qty.	English	French	German	Spanish	Remarks
1	U5MW0194	1	Kit - Water Pump	Jeu Pompe À Eau	Wasserpumpensatz	Bomba De Agua	
2	#BODY	1	Body	Body	Body	Body	Ref. 1
3	#COVER	1	Cover	Cover	Cover	Cover	Ref. 1
4	#GASKET	1	Gasket	Gasket	Gasket	Gasket	
5	#TURBINE	1	Turbine	Turbine	Turbine	Turbine	
6	3682A011	1	Joint - Water Pump	Joint Plat	Dichtung	Articulación	
7	#SHAFT	1	Shaft	Shaft	Shaft	Shaft	
8	#SEAL	1	Seal	Joint Étanchéité	Dichtring	Retén	
9	#CLIP	1	Clip	Clip	Clip	Clip	
10	#CLIP	1	Clip	Clip	Clip	Clip	
11	#BEARING	1	Bearing	Bearing	Bearing	Bearing	
12	#SEAL	1	Seal	Joint Étanchéité	Dichtring	Retén	
13	24880232	1	Gear - Water Pump	Pignon Pompe Eau	Zahnrad,Wapu	Piñón	
14	#BEARING	1	Bearing	Bearing	Bearing	Bearing	
15	2314H012	5	Screw	Vis	Schraube	Tornillo	
16	2314K164	2	Screw	Vis	Schraube	Tornillo	
17	2314H005	2	Screw	Vis	Schraube	Tornillo	
18	U7LW0172	1	Kit - Water Pump Repair	Jeu Pompe À Eau	Wasserpumpensatz	Juego De Servicio	

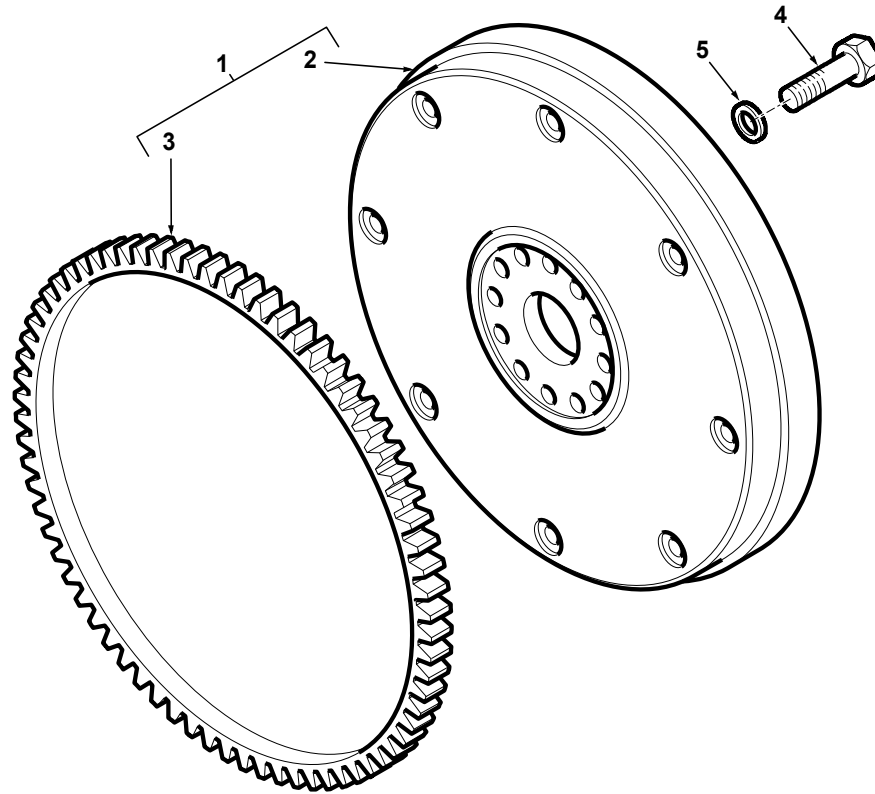
C-21013-12.1-A



Item	Part No.	Qty.	English	French	German	Spanish	Remarks
1	3115T081	1	Pulley - Crankshaft	Poulie Vilebreq.	R Scheibe,Kuwe	Polea	
2	3241N001	1	Block	Bloc	Block	Tope	
3	32186137	3	Bolt - Crankshaft	Goupille	Bolzen	Perno	



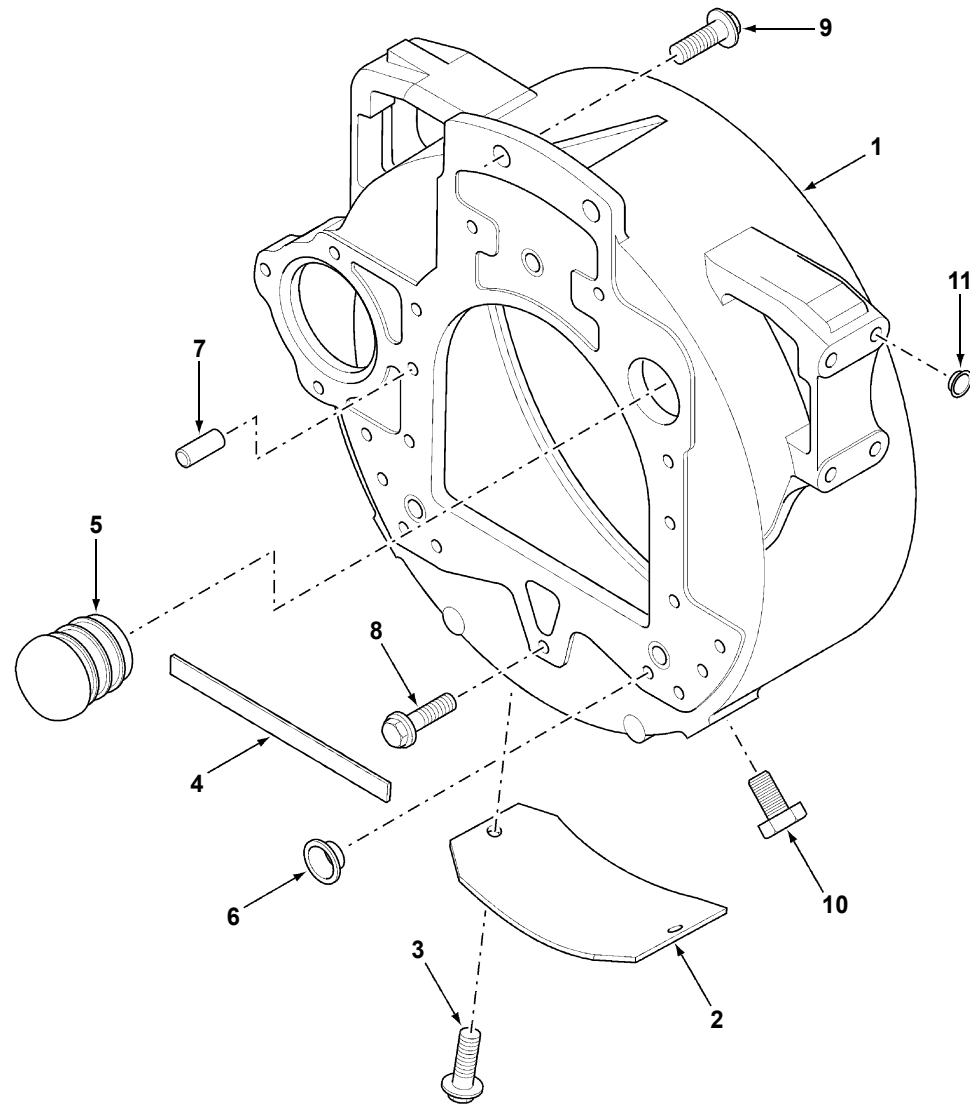
C-21013-13.1-A



Item	Part No.	Qty.	English	French	German	Spanish	Remarks
1	4111D127	1	Flywheel Assembly	Volant Moteur	Schwungrad Kpl	Volante Motor	
2	#FLYWHEEL	1	Flywheel	Flywheel	Flywheel	Flywheel	Ref. 1
3	31162121	1	Gear - Starter Ring	Roue Dentee	Zahnrad	Cambio	
4	0746853	6	Screw	Vis	Schraube	Tornillo	
5	33117127	6	Washer	Rondelle	Scheibe	Arandela	



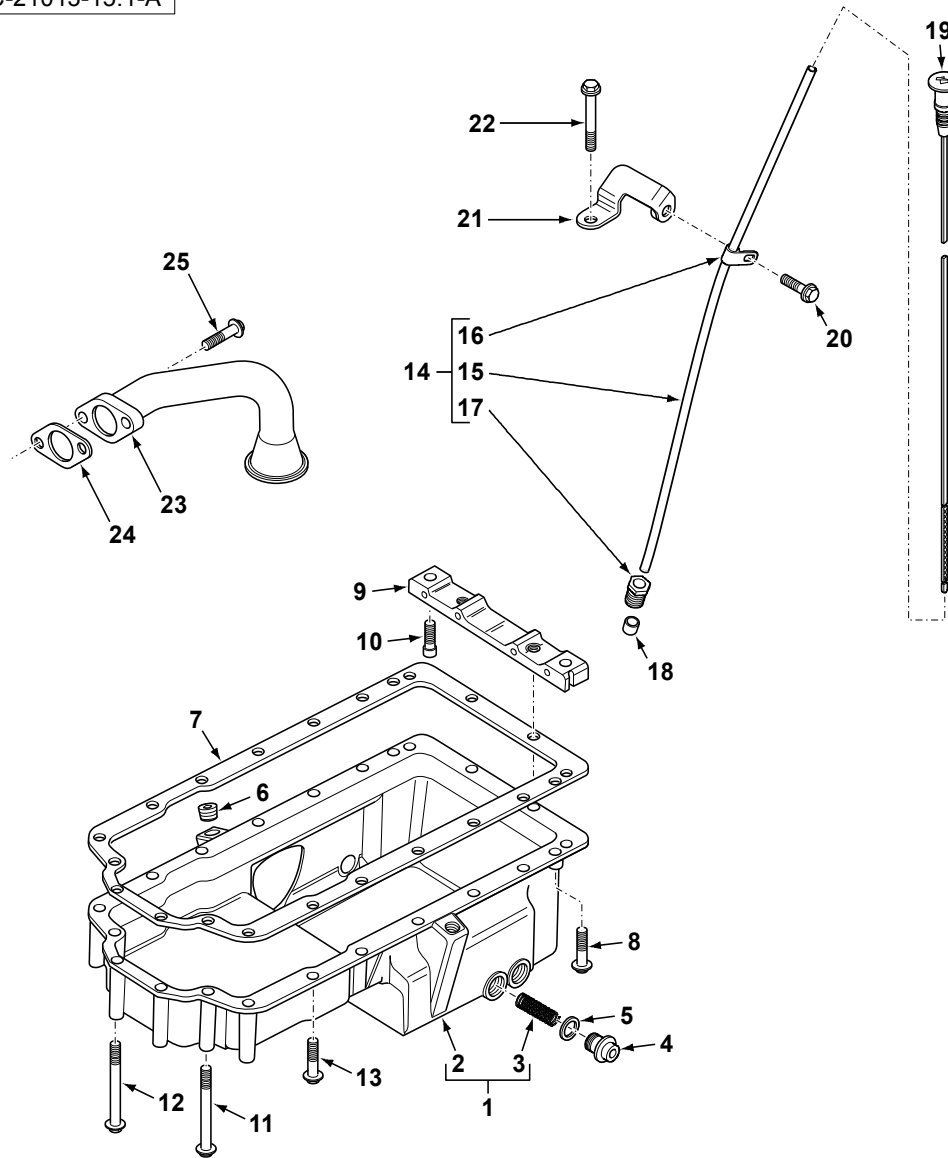
C-21013-14.1-A



Item	Part No.	Qty.	English	French	German	Spanish	Remarks
1	3713M049	1	Housing - Flywheel	Carter De Volant	Schwungradgeh	Cárter	
2	36212132	1	Plate	Plaque	Platte	Placa	
3	2314H102	2	Screw	Vis	Schraube	Tornillo	
4	36843154	1	Seal	Joint D ´Arbre	Wellendichtring	Junta	
5	2487A452	1	Plug - Blanking	Obturateur	Verschlussstopfen	Tapón De Bloqueo	
6	2487204	3	Plug	Bouchon	Stopfen	Tapón	
7	0350025	2	Dowel	Plot	Zylinderstift	Peon	
8	2314J204	6	Screw	Vis	Schraube	Tornillo	
9	2314J603	2	Screw	Vis	Schraube	Tornillo	
10	2487Y005	2	Plug	Bouchon	Stopfen	Tapón	
11	2487207	10	Plug	Bouchon	Stopfen	Tapón	



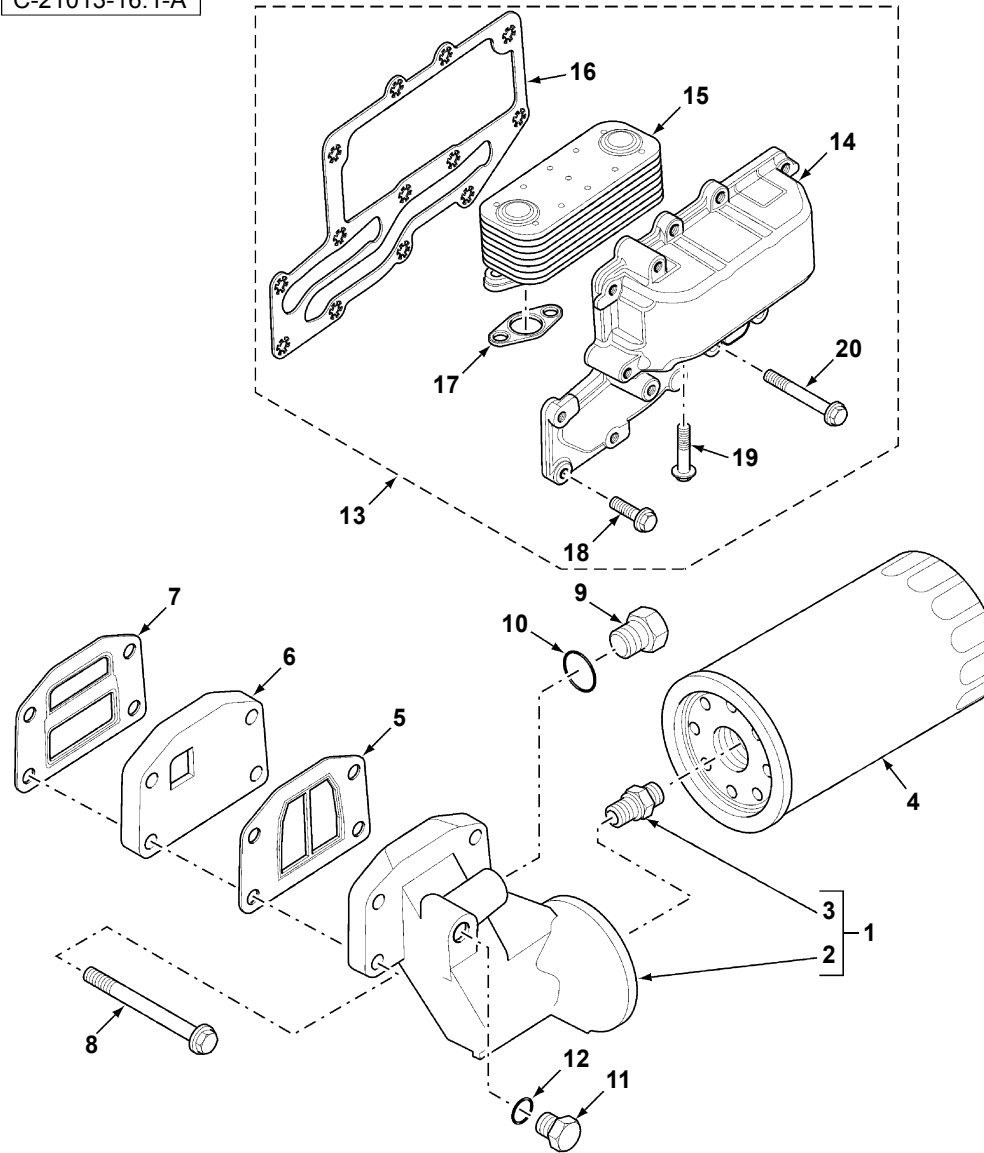
C-21013-15.1-A



Item	Part No.	Qty.	English	French	German	Spanish	Remarks
1	4145H091	1	Sump	Carter À Huile	Ölwanne	Cárter De Aceite	
2	#PAN, OIL	1	Pan, Oil	Pan, Oil	Pan, Oil	Pan, Oil	Ref. 1
3	2137435	2	Insert	Siège De Ressort	Federsitz	Muelle	
4	32186405	2	Plug - Oil Drain	Bouchon	Stopfen	Tapón	
5	2415715	2	O-Ring - Sump Plug	Joint Torique	O-Ring	Junta De Tipo O	
6	2431A016	1	Plug	Bouchon	Stopfen	Tapón	
7	3681K037	1	Joint - Sump	Joint	Dichtring	Junta	
8	2314H033	2	Screw	Vis	Schraube	Tornillo	
9	3627P041	1	Bridge Piece	Pontet	Traverse	Placa	
10	2311D039	2	Screw	Vis	Schraube	Tornillo	
11	2314K166	2	Screw	Vis	Schraube	Tornillo	
12	2314K166	4	Screw	Vis	Schraube	Tornillo	
13	2314H003	12	Hex Bolt - M8 X 20	Goupille	Bolzen	Tornillo	
14	4126A081	1	Tube - Dipstick	Tube	Rohrleitung	Conjunto De Tubería	
15	#TUBE	1	Tube	Tube	Tube	Tube	Ref.14
16	0180170	1	Clip	Clip	Klips	Argolla De Fijacion	
17	3353D005	1	Nut	Ecrou	Mutter	Tuerca	
18	33812116	1	Olive, Dipstick Tube	Ori•ce	Blende	Ori•cio	
19	3178C169	1	Dipstick	Jauge	Meßstab	Calibre De Aceite	
20	2314F002	1	Screw	Vis	Schraube	Tornillo	
21	3733A009	1	Bracket	Patte Fixation	Halter	Pata De Fijación	
22	2314F909	1	Screw	Vis	Schraube	Tornillo	
23	3575A061	1	Pipe - Suction	Ensemble Tuyauterie	Rohr Kpl.	Tube, Conj.	
24	36832137	1	Joint, Turbo Lub. Oil Drain Pipe	Articulation	Dichtring	Articulación	
25	2314H004	2	Screw	Vis	Schraube	Tornillo	



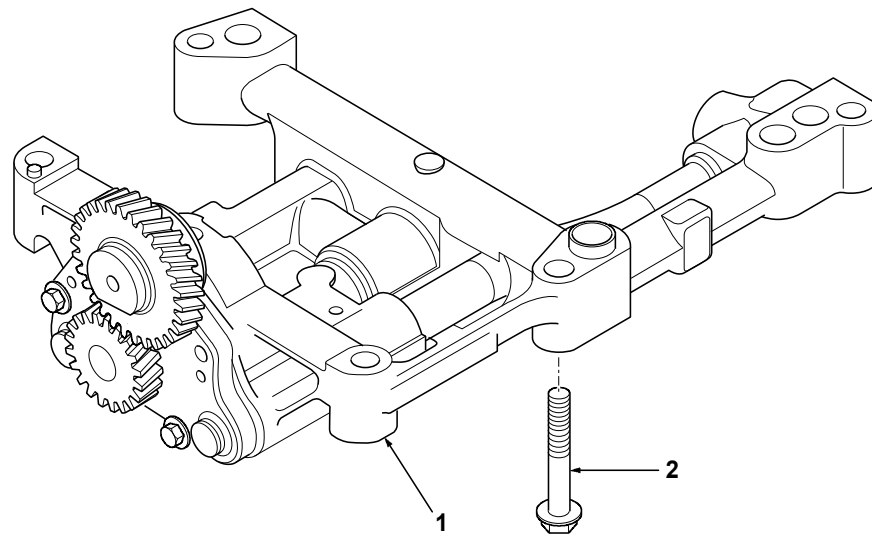
C-21013-16.1-A



Item	Part No.	Qty.	English	French	German	Spanish	Remarks
1	4134E057	1	Oil Filter Head	Ensemble De Tête	Kopf Kpl.	Cabeza, Conj.	
2	#HEAD	1	Head	Head	Head	Head	Ref. 1
3	33554128	1	Connection	Connexion	Verbindung	Racor	
4	2654407	1	Canister-Engine Oil Filter	Filtre	Filter	Filtro	
5	3688A041	1	Joint	Joint Plat	Dichtung	Articulación	
6	3773A081	1	Adaptor	Adaptateur	Reduziernippel	Adaptador	
7	3688A039	1	Joint	Joint Plat	Dichtung	Articulación	
8	2314H038	4	Screw	Vis	Schraube	Tornillo	
9	3278A004	1	Plug	Bouchon	Stopfen	Tapón	
10	2415H002	1	O - Ring	Joint Torique	O-Ring	Junta De Tipo O	
11	3278A007	1	Plug	Bouchon	Stopfen	Tapón	
12	2415H009	1	O - Ring	Joint Torique	O-Ring	Junta De Tipo O	
13	4134W001	1	Oil Cooler	Refroidisseur A Huil	Oelkuhler	Aceite Conjunto Enfr.	
14	#BODY	1	Body	Body	Body	Body	Ref. 13
15	2486A217	1	Oil Cooler	Refroidisseur A Huil	Oelkuhler	Radiador De Aceite	
16	3685A024	1	Joint	Joint Plat	Dichtung	Articulación	
17	3685A025	2	Joint	Joint Plat	Dichtung	Junta	
18	2314H004	10	Screw	Vis	Schraube	Tornillo	
19	2314H006	4	Screw	Goupille	Bolzen	Tornillo	
20	2314K161	3	Screw	Vis	Schraube	Tornillo	



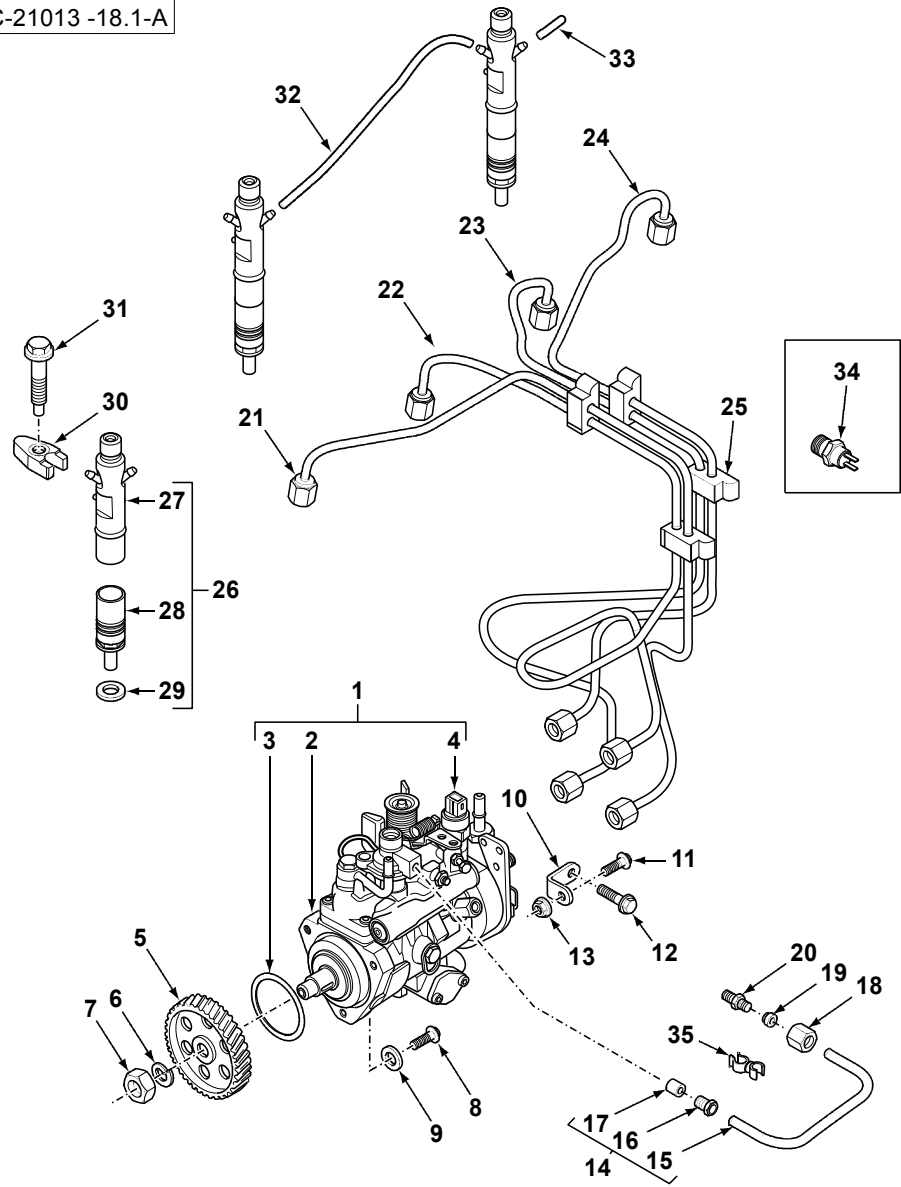
C-21013-17.1-A



Item	Part No.	Qty.	English	French	German	Spanish	Remarks
1	4132F071	1	Pump - Oil	Pompe À Huile	Motorölpumpe	Bomba De Aceite	
2	2314J008	5	Screw	Vis	Schraube	Tornillo	

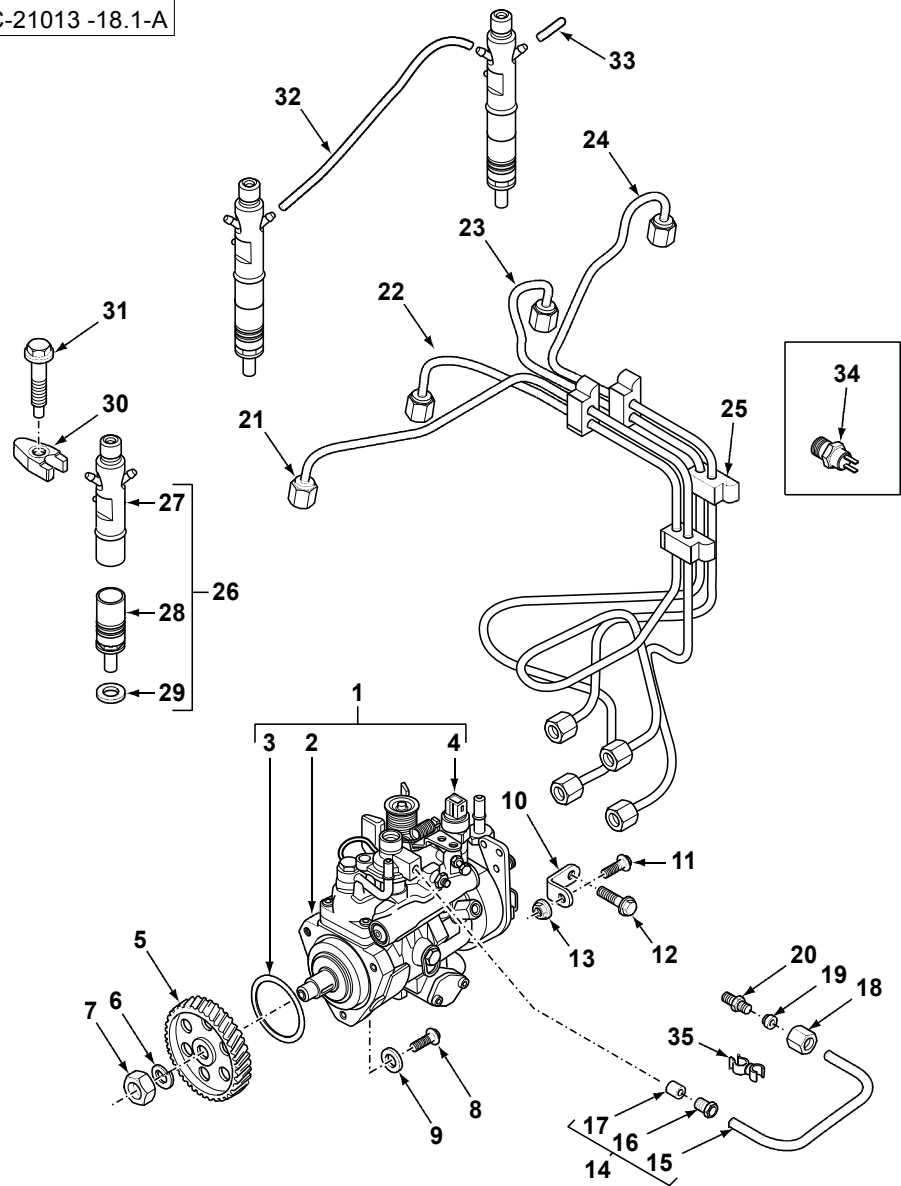


C-21013 -18.1-A



Item	Part No.	Qty.	English	French	German	Spanish	Remarks
1	2644H003	1	Pump - Fuel Injection	Pompe Injection	Einspritzpumpe	Bomba Inyectora	
2	#PUMP	1	Pump	Pump	Pump	Pump	Ref. 1
3	26420318	1	O-Ring	Joint Torique	O-Ring	Junta De Tipo O	
4	26420469	1	Solenoid - Fuel Cut-Off	Solenoide	Solenoide	Solenoide	
5	3117L261	1	Gear - Injection Pump	Pignon	Zahnrad	Piñón	
6	K134AF01	1	Washer	Rondelle	Scheibe	Arandela De Freno	
7	2318A108	1	Nut	Ecrou	Mutter	Tuerca	
8	2314H004	3	Screw	Vis	Schraube	Tornillo	
9	2411D008	3	Washer	Rondelle	Scheibe	Arandela	
10	3641A007	1	Bracket	Patte Fixation	Halter	Pata De Fijación	
11	2314H003	1	Hex Bolt - M8 X 20	Goupille	Bolzen	Tornillo	
12	2314J002	1	Screw	Vis	Schraube	Tornillo	
13	2318A603	1	Nut (Pack Of 10)	Ecrou	Mutter	Tuerca	
14	4121A058	1	Pipe - Boost Control	Ensemble Tuyauterie	Rohr Kpl.	Tubo, Conj.	
15	#PIPE	1	Pipe	Pipe	Pipe	Pipe	Ref. 14
16	3353D004	1	Nut - Union	Ecrou Raccord	Anschlussmutter	Tuerca	
17	33811112	1	Olive - Fuel Pipe	Ori•ce	Blende	Ori•cio	
18	0576111	1	Nut	Ecrou	Mutter	Tuerca	
19	0566002	1	Olive	Olive	Schneidring	Ori•cio	
20	0206002	1	Union	Union	Schraubanschluss	Union	
21	3525A061	1	Pipe - Fuel Injection No.1	Tuyau Injection	Einspritzleitung	Tubo	
22	3525A062	1	Pipe - Fuel Injection No.2	Tuyau Injection	Einspritzleitung	Tubo	
23	3525A063	1	Pipe - Fuel Injection No.3	Tuyau Injection	Einspritzleitung	Tubo	
24	3525A064	1	Pipe - Fuel Injection No.4	Tuyau Injection	Einspritzleitung	Tubo	
25	2646E017	1	Clip	Clip	Befestigungsschelle	Brida De Fijación	
26	2645K011	4	Atomiser	Injecteur	Zerstäuber	Inyector, Conj.	
27	#HOLDER	1	Holder	Holder	Holder	Holder	Ref. 26
28	2645K611	1	Nozzle	Gicleur Injection	Düse	Surtidor De Inyección	
29	L311FF02	1	Seal - Fuel Inj. Nozzle	Rondelle	Scheibe	Arandela	
30	3751A241	4	Clamp - Injector	Collier De Serrage	Klemme	Argolla De Cierre	

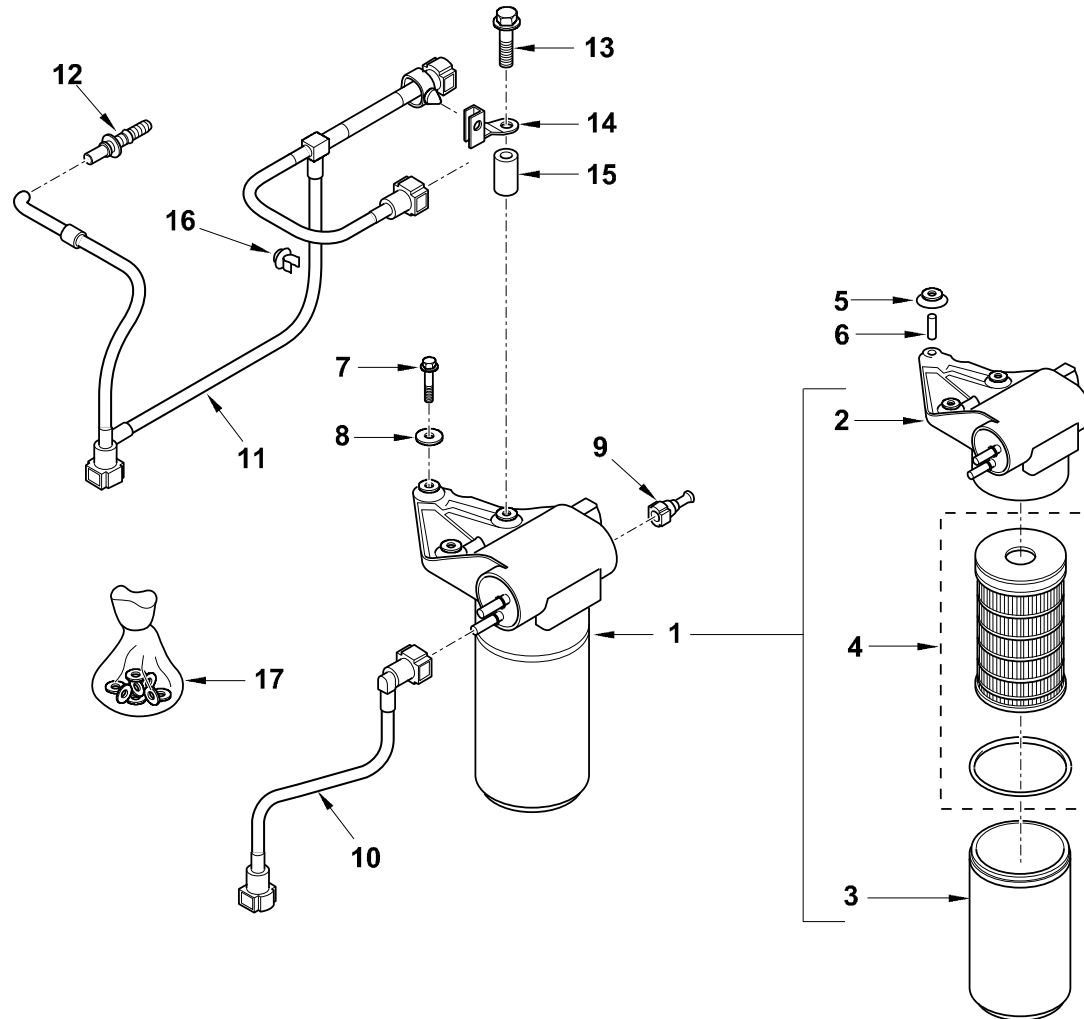
C-21013 -18.1-A



Item	Part No.	Qty.	English	French	German	Spanish	Remarks
31	2314W009	4	Screw	Vis	Schraube	Tornillo	
32	2646F501	3	Hose - Flexible	Flexible	Schlauch	Tubo Flexible	
33	2646E501	1	Cap	Capuchon	Wetterkappe	Sombbrero	
34	2848A127	1	Sender Unit	Capteur De Temperature	Temperaturgeber	Emisor	
35	K138AF02	1	Clip	Clip	Klips	Clip	



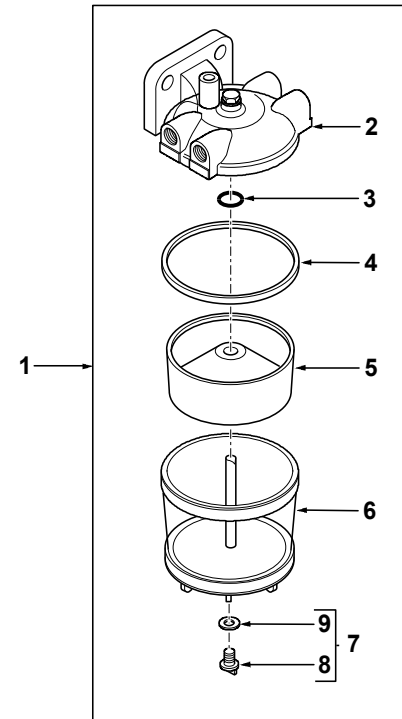
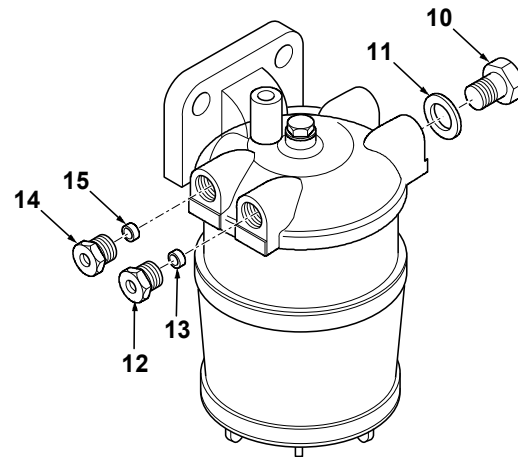
C-21013-19.1-B



Item	Part No.	Qty.	English	French	German	Spanish	Remarks
1	4132A014	1	Pump - Fuel Lift	Pompe Carburant	Kraftstoffpumpe	Bomba De Combustible	
2	#HEAD	1	Head	Head	Head	Head	Ref. 1
3	#BASE	1	Base	Base	Base	Base	Ref. 1
4	26560201	1	Element - Filter Engine Fuel *S*	Cartouche Filtrante	Filterpatrone	Elemento De Filtro	
5	#MOUNT	3	Mount	Mount	Mount	Mount	Ref. 17
6	#SPACER	3	Spacer	Spacer	Spacer	Spacer	Ref. 17
7	2314F909	3	Screw	Vis	Schraube	Tornillo	
8	2131A507	3	Washer	Rondelle	Scheibe	Arandela	
9	3763A046	1	Connector	Borne	Doppelnippel	Conector	
10	2646F001	1	Pipe - Fuel Feed	Ensemble Tuyauterie	Rohr Kpl.	Tube, Conj.	
11	2646F002	1	Pipe - Fuel Feed	Tuyau Carburant	Kraftstleitung	Tube, Conj.	
12	3763A045	1	Connection	Borne	Doppelnippel	Conector	
13	2314H008	1	Screw	Vis	Schraube	Tornillo	
14	3733A008	1	Bracket	Patte Fixation	Halter	Pata De Fijación	
15	3313A006	1	Spacer	Entretoise	Distanzstück	Traviesa	
16	2481D456	1	Clip	Clip	Klips	Clip	
17	U5MK0696	1	Kit - Repair	Pièces De Fixation	Reparatursatz	Piezas De Fijación	

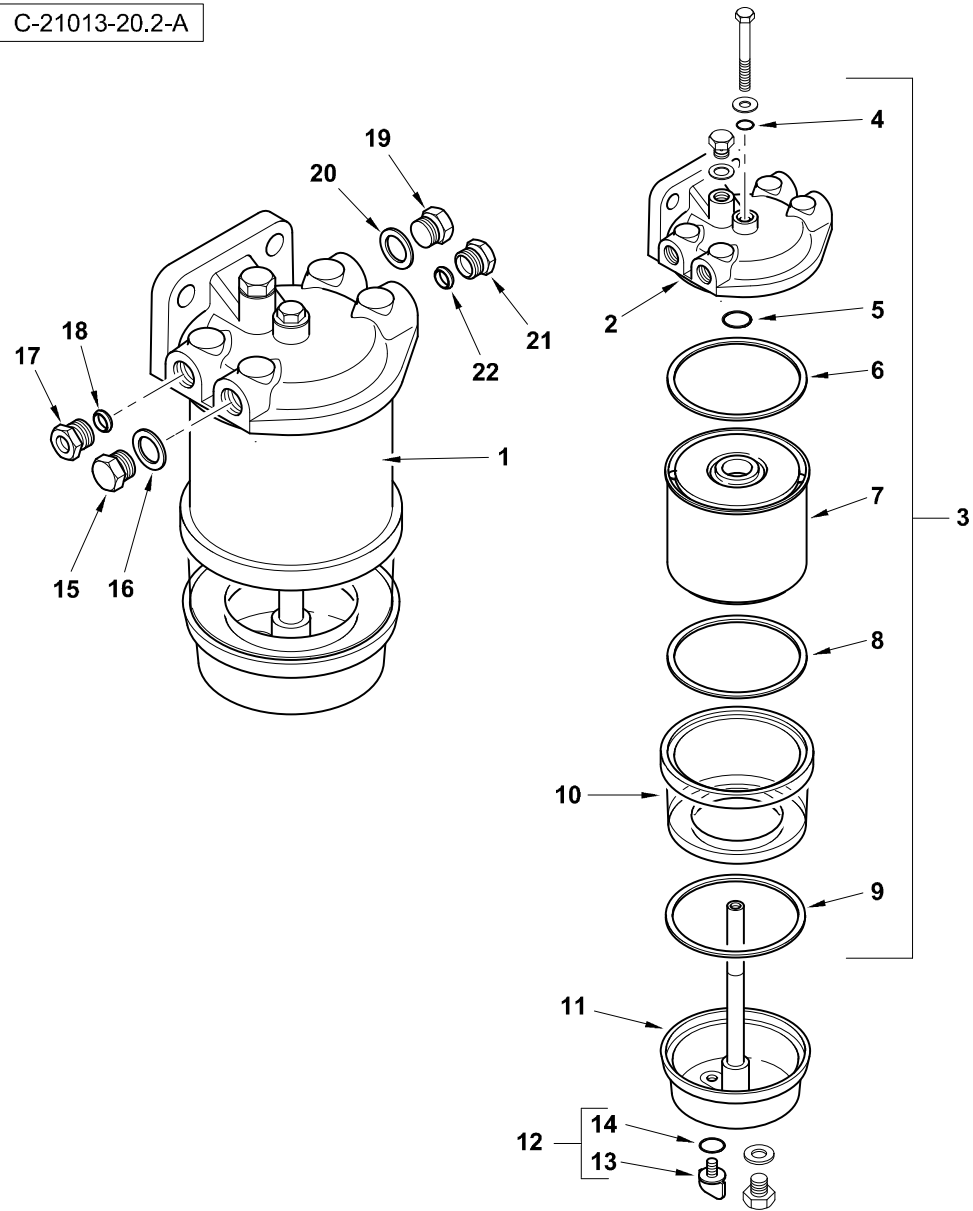


C-21013-20.1-A



Item	Part No.	Qty.	English	French	German	Spanish	Remarks
1	2656086	1	Pre-Filter - Fuel	Filtre	Filter	Filtro	
2	#HEAD	1	Head	Head	Head	Head	Ref. 1
3	26560016	1	Washer	Rondelle	Scheibe	Arandela	
4	0490786	2	Seal - Fuel Filter	Joint	Dichtung	Junta	
5	26560156	1	Body And Cone Assy. - Fuel Pre-Filter	Séparateur	Dreschwerk, Abscheider	Separador	
6	26560075	1	Container	Reservoir	Schauglas	Deposito	
7	26560614	1	Screw & O Ring - Fuel Filter Bowl	Bouchon	Stopfen	Tapón	
8	#PLUG	1	Plug	Plug	Plug	Plug	Ref. 7
9	26431192	1	Washer	Rondelle	Scheibe	Arandela	
10	0650204	2	Plug	Bouchon	Stopfen	Tapon	
11	0920154	2	Washer	Rondelle	Scheibe	Arandela	
12	33532129	1	Nut	Ecrou	Mutter	Tuerca De Tubería	
13	0566004	1	Olive	Olive	Schneidring	Oliva	
14	33532129	1	Nut	Ecrou	Mutter	Tuerca De Tubería	
15	0566004	1	Olive	Olive	Schneidring	Oliva	

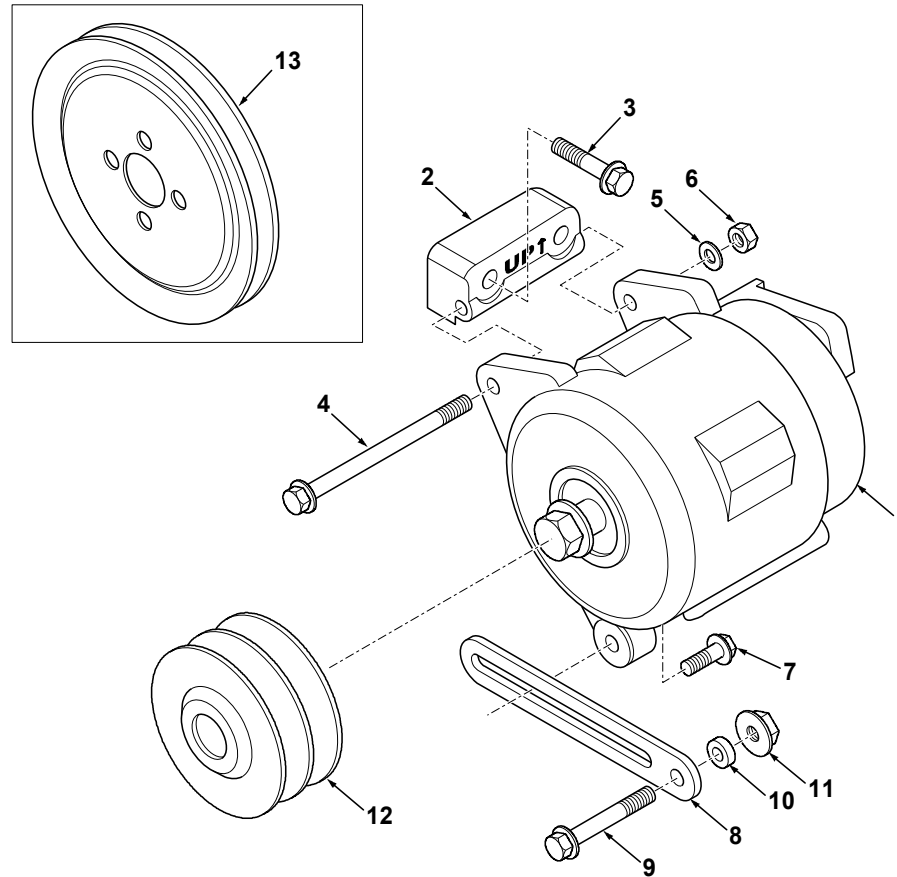
C-21013-20.2-A



Item	Part No.	Qty.	English	French	German	Spanish	Remarks
1	2656F823	1	Filter - Fuel	Filtre A Combustible	Kraftstoff-Filter	Filtro De Combustible	
2	#HEAD, FILTER	1	Head, Filter	Head, Filter	Head, Filter	Head, Filter	Ref. 1
3	26550005	1	Fuel/Water Separator	Filtre	Filter	Filtro	
4	#O-RING	1	O-Ring	Joint Torique	O-Ring	Junta Tórica	Ref. 3
5	#O-RING	1	O-Ring	Joint Torique	O-Ring	Junta Tórica	Ref. 3
6	#O-RING	1	O-Ring	Joint Torique	O-Ring	Junta Tórica	Ref. 3
7	#ELEMENT	1	Element	Element	Element	Element	Ref. 3
8	#O-RING	1	O-Ring	Joint Torique	O-Ring	Junta Tórica	Ref. 3
9	#O-RING	1	O-Ring	Joint Torique	O-Ring	Junta Tórica	Ref. 3
10	26560181	1	Bowl - Glass	Cuve	Wanne	Cuba	
11	#BASE	1	Base	Base	Base	Base	Ref. 1
12	26560614	1	Screw & O Ring - Fuel Filter Bowl	Bouchon	Stopfen	Tapón	
13	#PLUG	1	Plug	Plug	Plug	Plug	
14	26431192	1	Washer	Rondelle	Scheibe	Arandela	
15	0650204	1	Plug	Bouchon	Stopfen	Tapon	
16	2411D013	1	Washer	Rondelle	Unterlegscheibe	Arandela	
17	33532129	1	Nut	Ecrou	Mutter	Tuerca De Tubería	
18	0566004	1	Olive	Olive	Schneidring	Oliva	
19	0650204	1	Plug	Bouchon	Stopfen	Tapon	
20	2411D013	1	Washer	Rondelle	Unterlegscheibe	Arandela	
21	33532129	1	Nut	Ecrou	Mutter	Tuerca De Tubería	
22	0566004	1	Olive	Olive	Schneidring	Oliva	

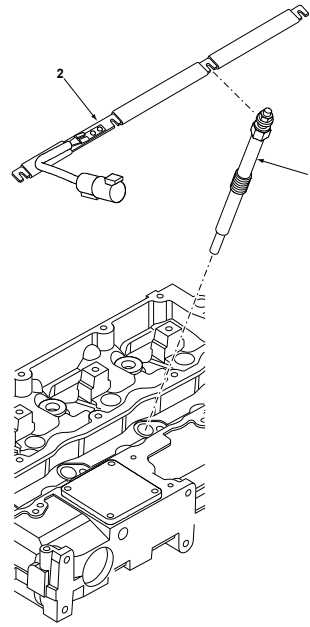


C-21013-21.1-A



Item	Part No.	Qty.	English	French	German	Spanish	Remarks
1	2871A304	1	Alternator Use 2871a309	Alternateur Triphase	Drehstromlichtmaschi	Alternador, Conj.	
2	3824A071	1	Bracket - Alternator	Patte Fixation	Halter	Pata De Fijación	
3	2314J007	2	Screw	Vis	Schraube	Tornillo	
4	2314H022	1	Screw	Vis	Schraube	Tornillo	
5	2131A008	1	Washer	Rondelle	Scheibe	Arandela	
6	2318D208	1	Nut	Ecrou	Mutter	Tuerca	
7	2314H103	1	Screw	Vis	Schraube	Tornillo	
8	36155429	1	Bracket - Alternator Adjusting	Patte Fixation	Halter	Tirante De Ajuste	
9	2314J012	1	Screw	Vis	Schraube	Tornillo	
10	0920465	1	Spacer	Entretoise	Distanzstueck	Traviesa	
11	2318A604	1	Nut	Ecrou	Mutter	Tuerca	
12	3115A121	1	Pulley - 2 Groove Alternator	Poulie	Riemenscheibe	Polea	
13	3114X191	1	Pulley - 1 Groove	Poulie	Riemenscheibe	Polea	

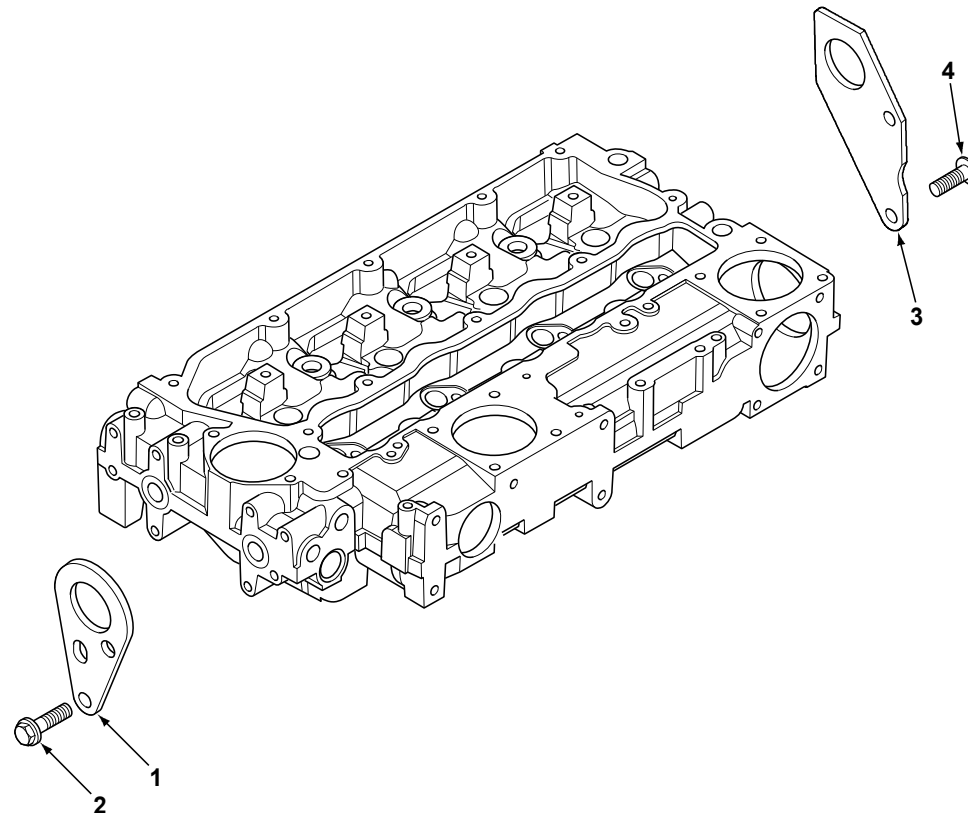
C-21013-22.1-A



Item	Part No.	Qty.	English	French	German	Spanish	Remarks
1	2666A016	4	Plug - Glow	Vis De Fermeture	Verschlusschraube	Enchufe	
2	3161C015	1	Bar	Barre	Stab	Barra	



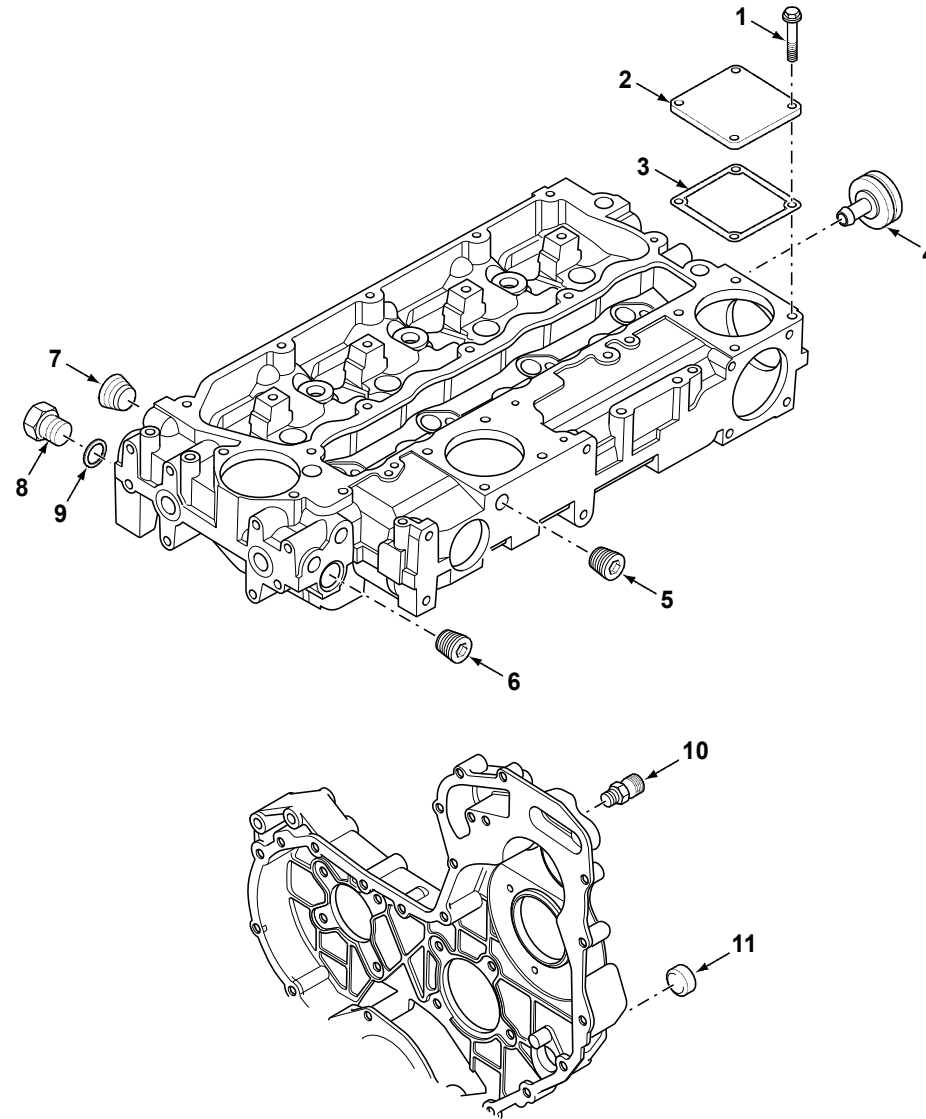
C-21013-23.1-A



Item	Part No.	Qty.	English	French	German	Spanish	Remarks
1	3617A015	1	Bracket - Lifting	Patte Fixation	Halter	Anillo De Elevación	
2	2314J002	2	Screw	Vis	Schraube	Tornillo	
3	3624A016	1	Bracket - Lifting	Patte Fixation	Halter	Anillo De Elevación	
4	2314J002	2	Screw	Vis	Schraube	Tornillo	



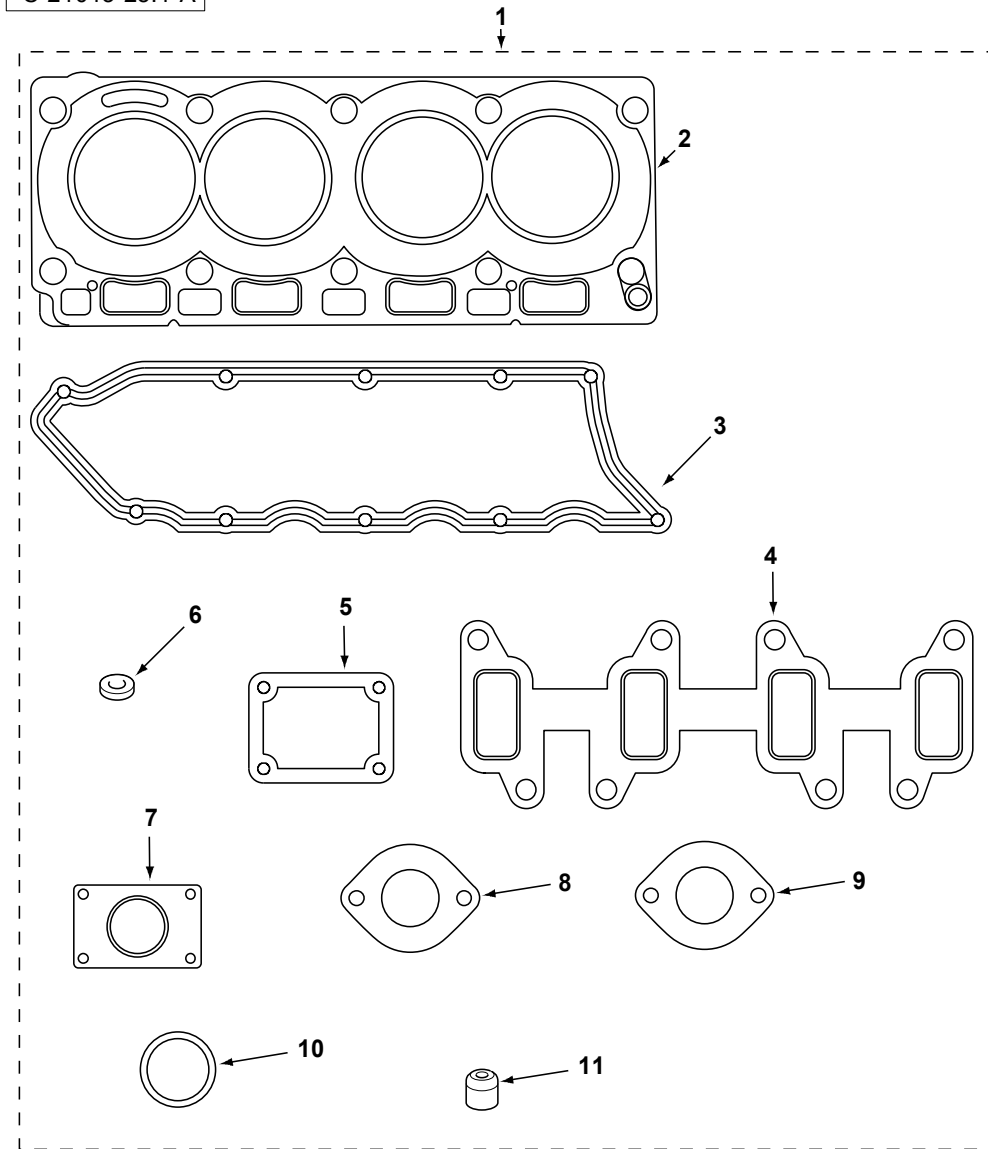
C-21013-24.1-A



Item	Part No.	Qty.	English	French	German	Spanish	Remarks
1	2314H003	12	Hex Bolt - M8 X 20	Goupille	Bolzen	Tornillo	
2	3611M006	3	Plate	Plaque	Platte	Placa	
3	3684N503	3	Joint	Joint Plat	Dichtung	Junta	
4	3347A023	1	Adaptor	Adaptateur	Reduziernippel	Adaptador	
5	2431131	1	Plug	Bouchon	Stopfen	Tapón	
6	2431154	1	Plug	Bouchon	Stopfen	Tapón	
7	2431154	1	Plug	Bouchon	Stopfen	Tapón	
8	3278A006	1	Plug	Bouchon	Stopfen	Tapón	
9	2415H003	1	O - Ring	Joint Torique	O-Ring	Junta De Tipo O	
10	33552414	1	Connector - Heater Water Feed/Return	Connecteur	Steckverbindung	Adaptador	
11	2485A118	1	Plug - Cup	Bouchon Mâle, Obturation	Verschlussstopfen	Tapón De Bloqueo	

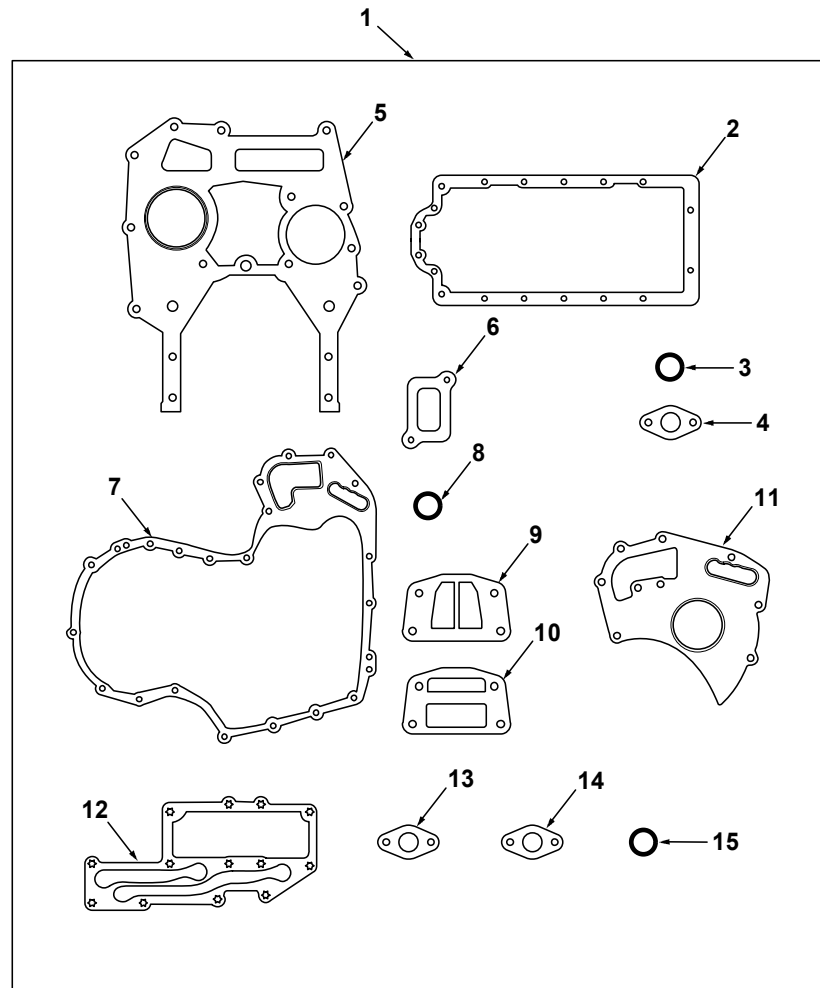


C-21013-25.1-A



Item	Part No.	Qty.	English	French	German	Spanish	Remarks
1	U5LT0350	1	Kit - Top Joint & Gasket	Jeu De Joints	Dichtungs,Satz	Juego Juntas/Empaq.	
2	3681E046	1	Gasket - Cylinder Head	Joint De Culasse	Dichtung, Zylinderko	Junta De Culata	
3	3681A055	1	Joint - Rocker Cover	Joint	Dichtring	Junta	
4	3681V512	1	Joint - Exhaust Manifold	Joint	Dichtring	Junta	
5	3684N503	1	Joint	Joint Plat	Dichtung	Junta	
6	L311FF02	4	Seal - Fuel Inj. Nozzle	Rondelle	Scheibe	Arandela	Injector
7	3688A029	1	Joint - Turbo To Manifold	Joint	Dichtung	Articulación	
8	3688A035	1	Joint	Joint Plat	Dichtung	Articulación	
9	3688A036	1	Joint	Joint Plat	Dichtung	Articulación	
10	2415H008	1	O - Ring	Joint Torique	O-Ring	Junta De Tipo O	
11	2418M514	8	Valve Stem Seal	Jeu Etancheite	Dichtringsatz	Anillo, Estanqueidad	

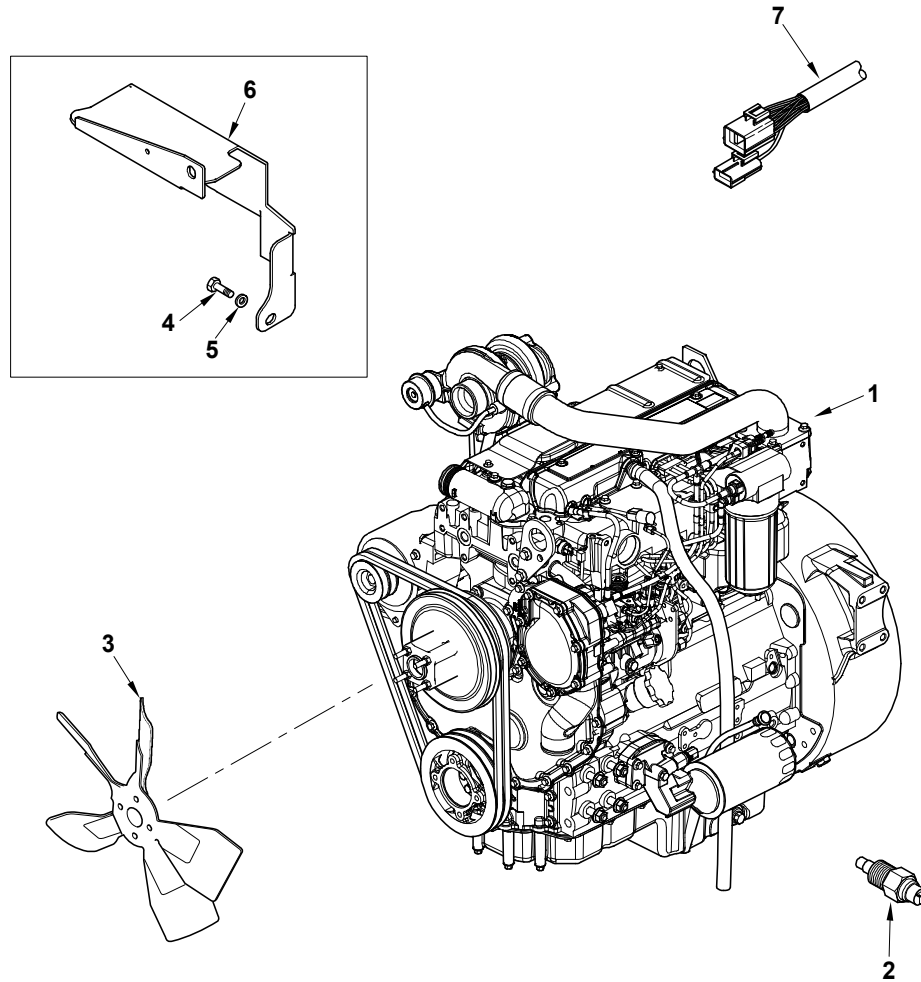
C-21013-26.1-A



Item	Part No.	Qty.	English	French	German	Spanish	Remarks
1	U5LB0376	1	Kit - Bottom Joint And Gasket	U5lb0376	Dichtungssatz	Juego Juntas/Empaq.	
2	3681K037	1	Joint - Sump	Joint	Dichtring	Junta	
3	2415715	1	O-Ring - Sump Plug	Joint Torique	O-Ring	Junta De Tipo O	
4	36832137	1	Joint, Turbo Lub. Oil Drain Pipe	Articulation	Dichtring	Articulación	
5	3617V015	1	Joint - Timing Case	Articulation	Verbindung, Gelenk	Articulación	
6	3617V016	1	Joint - Timing Case	Articulation	Verbindung, Gelenk	Articulación	
7	3681P046	1	Joint - Timing Case Cover	Articulation	Verbindung, Gelenk	Articulación	
8	26420318	1	O-Ring	Joint Torique	O-Ring	Junta De Tipo O	
9	3688A041	1	Joint	Joint Plat	Dichtung	Articulación	
10	3688A039	1	Joint	Joint Plat	Dichtung	Articulación	
11	3682A011	1	Joint - Water Pump	Joint Plat	Dichtung	Articulación	
12	3688A035	1	Joint	Joint Plat	Dichtung	Articulación	
13	3685A024	1	Joint	Joint Plat	Dichtung	Articulación	
14	3685A025	1	Joint	Joint Plat	Dichtung	Junta	
15	2415787	1	O - Ring	Joint Torique	O-Ring	Junta De Tipo O	



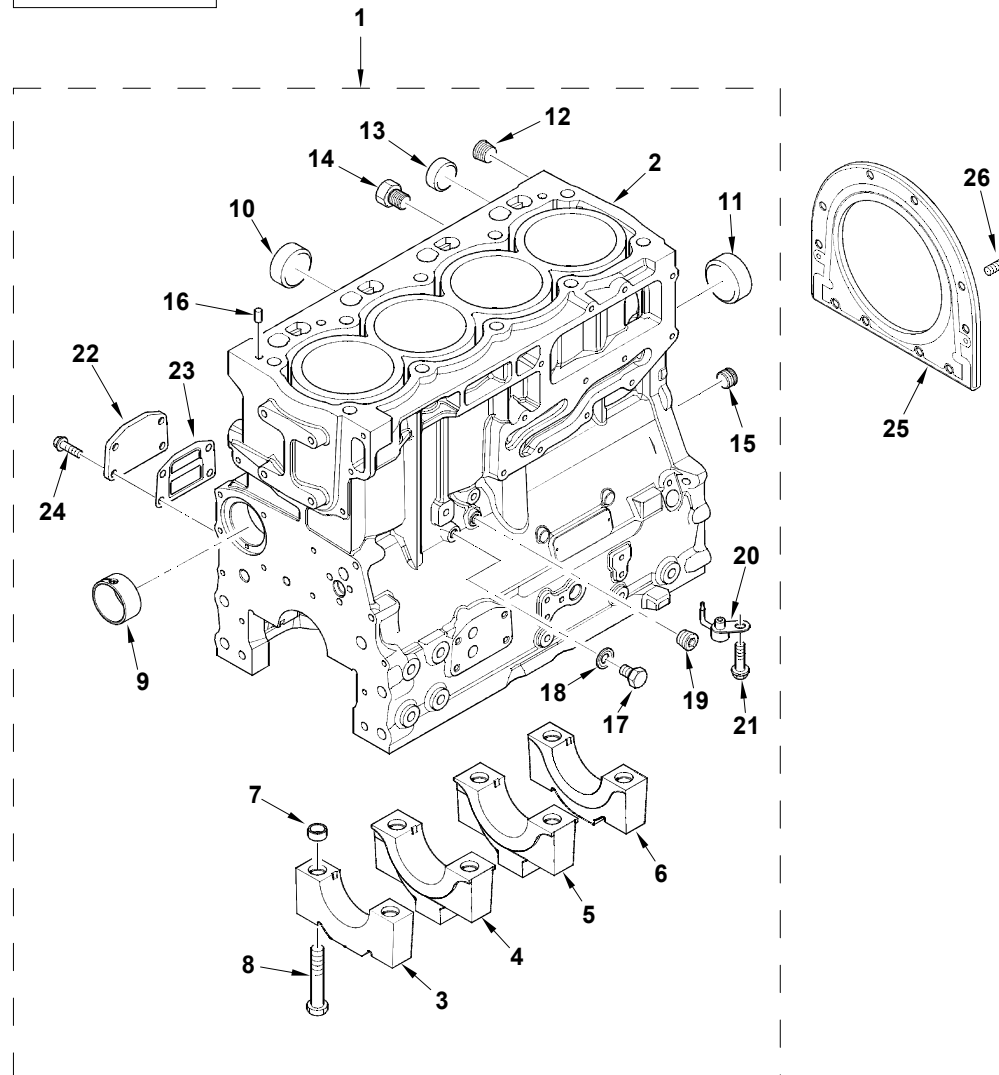
C-21015-01.1-A



Item	Part No.	Qty.	English	French	German	Spanish	Remarks
1	6112038M91	1	Engine T3 100hp A/C NI38925	Ensemble De Moteur Thermique	Dieselmotor Kpl.	Motor Térmico, Conj.	
2	6110563M91	1	Water Temperature Sender / Switch	Capteur	Sensor	Captador	
3	6110111M91	1	Fan 20"	Ventilateur	Lüfter	Ventilador	
4	3009491X1	1	Bolt M10 X 20	Boulon	Maschschraube M10	Tornillo	
5	390734X1	2	Washer M10-21-2 Z	Rondelle - M10	Unterlegscheibe	Arandela	
6	6114846M91	1	Alternator Guard Assy.	Garde	Schutzvorr	Defensa	
7	339269X1	1	Bolt	Boulon	Bolzen	Perno	
8	6112296M91	1	Wire Harness	Faisceau Electrique	Kabelbaum	Kabelbaum	



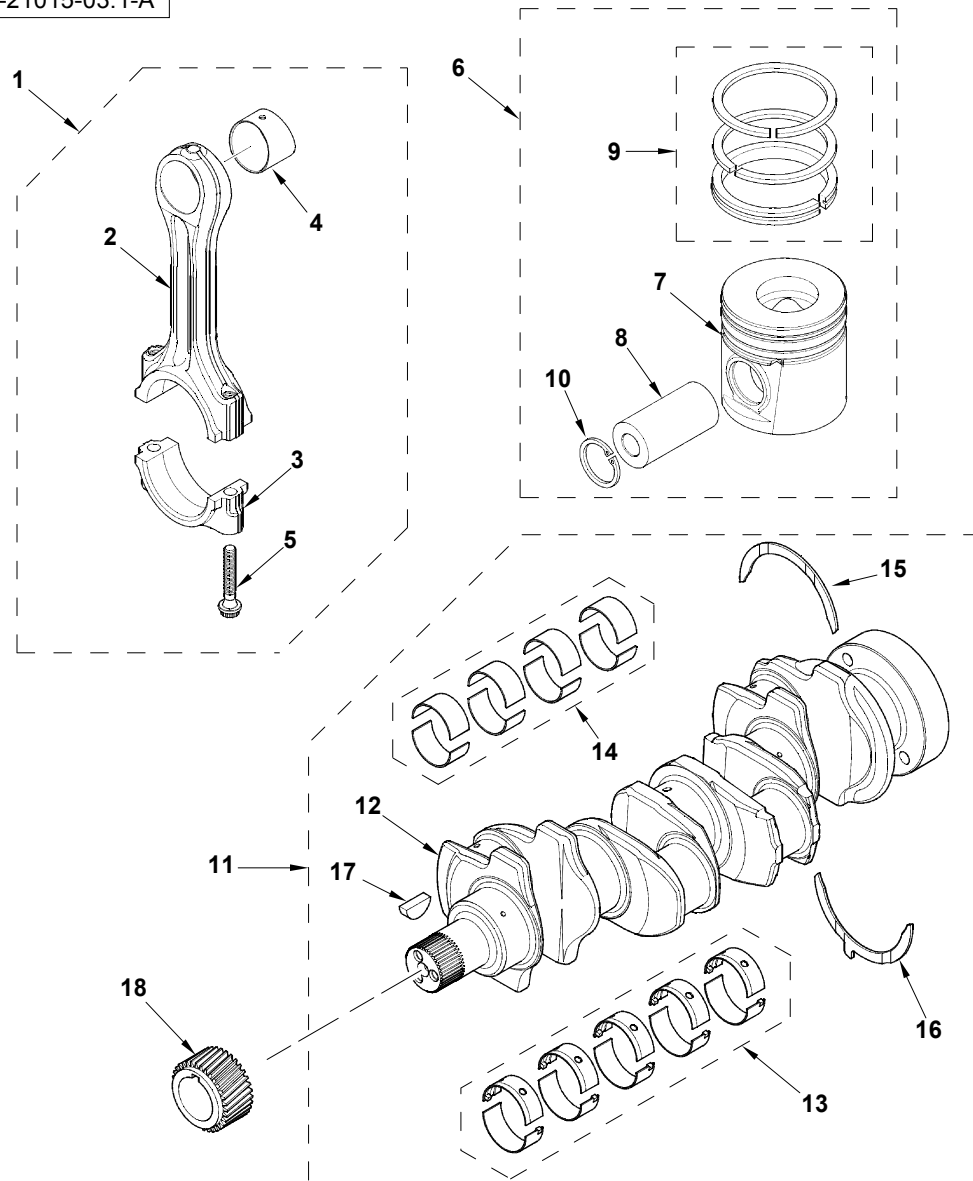
C-21015-02.1-A



Item	Part No.	Qty.	English	French	German	Spanish	Remarks
1	#BLOCK, CYLINDER	1	Block, Cylinder	Block, Cylinder	Block, Cylinder	Block, Cylinder	
2	#BLOCK, CYLINDER	1	Block, Cylinder	Block, Cylinder	Block, Cylinder	Block, Cylinder	Ref. 1
3	#BEARING, SUPPORT	1	Bearing, Support	Bearing, Support	Bearing, Support	Bearing, Support	Ref. 1
4	#BEARING, SUPPORT	2	Bearing, Support	Bearing, Support	Bearing, Support	Bearing, Support	Ref. 1
5	#BEARING, SUPPORT	1	Bearing, Support	Bearing, Support	Bearing, Support	Bearing, Support	Ref. 1
6	#BEARING, SUPPORT	1	Bearing, Support	Bearing, Support	Bearing, Support	Bearing, Support	Ref. 1
7	33142111	10	Thimble	Cosse	Muffe	Anillo De Centrado	
8	32166329	10	Screw	Vis	Schraube	Tornillo	
9	3112D071	1	Bush - Camshaft	Bouille	Büchse	Casquillo	
10	3241A011	2	Plug	Bouchon	Stopfen	Tapón	
11	3241A012	1	Plug	Bouchon	Stopfen	Tapón	
12	0650588	1	Plug	Bouchon	Stopfen	Tapon	
13	0650710	1	Core Plug	Bouchon	Stopfen	Tapon	
14	32141316	2	Plug	Bouchon	Stopfen	Tapón	
15	3212P008	1	Plug	Bouchon	Stopfen	Tapón	
16	3244A009	2	Dowel	Plot	Zylinderstift	Peón	
17	2314C049	1	Screw	Vis	Schraube	Tornillo	
18	2415D053	1	Washer	Rondelle	Scheibe	Arandela	
19	0650594	1	Plug	Bouchon	Stopfen	Tapon	
20	2113A003	4	Piston : Cooling Jet	Gicleur	Spritzduse	Surtidor	
21	2314F001	4	Screw	Vis	Schraube	Tornillo	
22	3623A009	1	Plate - Blanking	Plaque	Platte	Placa	
23	3688A039	1	Joint	Joint Plat	Dichtung	Articulación	
24	2314H033	4	Screw	Vis	Schraube	Tornillo	
25	2418F704	1	Housing - Rear Oil Seal	Carter	Gehäuse	Cárter	
26	3211C002	10	Bolt - Metric	Goupille	Bolzen	Perno	



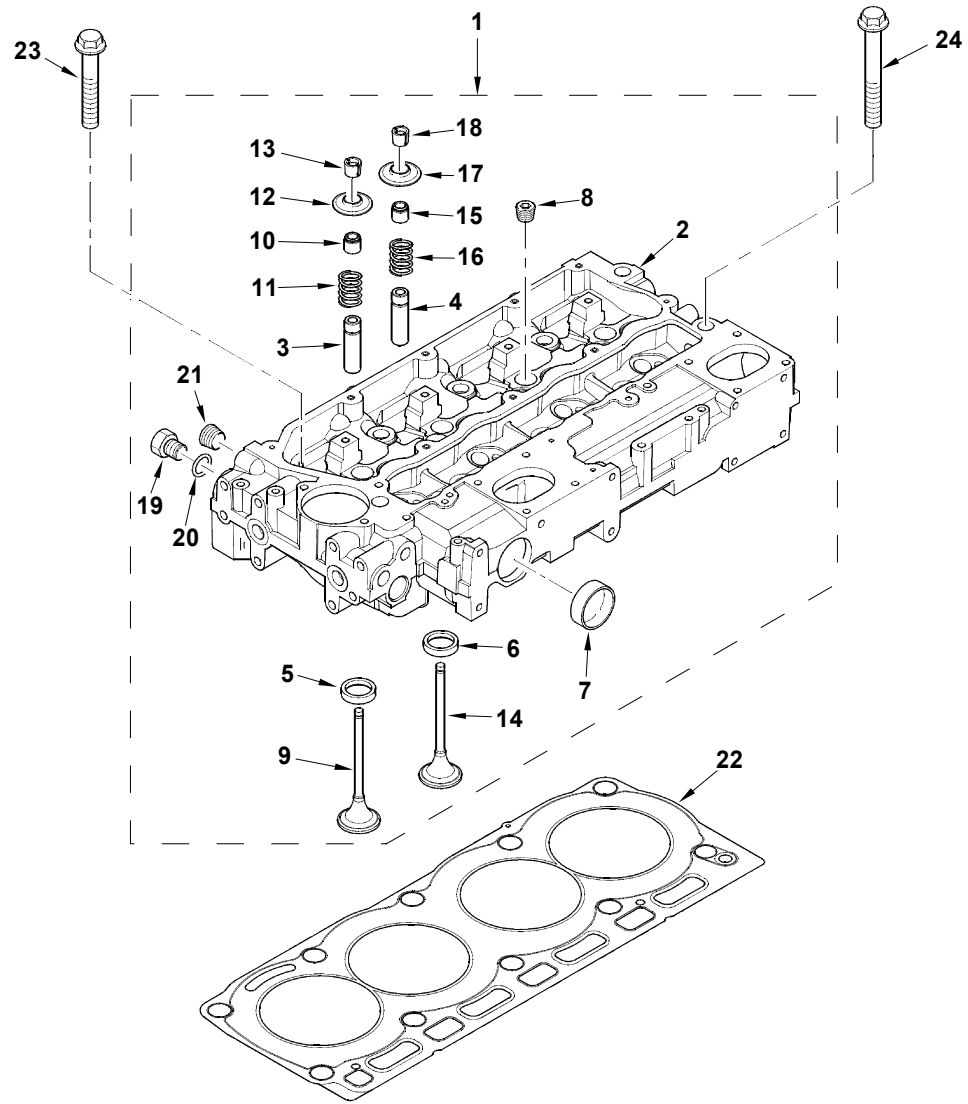
C-21015-03.1-A



Item	Part No.	Qty.	English	French	German	Spanish	Remarks
1	4115C312	4	Conrod Kit - Grade 'g' (Orange)	Ensemble De Bielle	Pleuelstange Kpl.	Biela, Conj.	
1	4115C311	4	Conrod Kit - Grade 'f' (Red)	Ensemble De Bielle	Pleuelstange Kpl.	Biela, Conj.	
1	4115C313	4	Conrod Kit - Grade 'h' (White)	Ensemble De Bielle	Pleuelstange Kpl.	Biela, Conj.	
1	4115C314	4	Conrod Kit - Grade 'j' (Green)	Ensemble De Bielle	Pleuelstange Kpl.	Biela, Conj.	
1	4115C315	4	Conrod Kit - Grade 'k' (Purple)	Ensemble De Bielle	Pleuelstange Kpl.	Biela, Conj.	
1	4115C316	4	Conrod Kit - Grade 'l' (Blue)	Ensemble De Bielle	Pleuelstange Kpl.	Biela, Conj.	
2	#ROD, CONNECTING	1	Rod, Connecting	Rod, Connecting	Rod, Connecting	Rod, Connecting	Ref. 1
3	#CAP	1	Cap	Chapeau	Kappe	Tapa	Ref. 1
4	3112A005	1	Bush - Small End	Douille	Büchse	Casquillo	
5	3212V003	2	Bolt - Con Rod	Goupille	Bolzen	Perno	
6	U5PR0062	4	Kit - Piston And Ring	Kit - Piston And Ring	Kit - Piston And Ring	Kit - Piston And Ring	
7	#PISTON	1	Piston	Piston	Piston	Piston	Ref. 6
8	#PIN	1	Pin	Goupille	Bolzen	Pasador	Ref. 6
9	UPRK0005	1	Kit - Piston Ring	Kit - Piston Ring	Kit - Piston Ring	Kit - Piston Ring	
10	2721332	2	Circlip - Gudgeon Pin	Segment D' Arrêt	Sicherungsring	Circlip	
11	ZZ90222	1	Kit - Crankshaft	Ensemble Vilebrequin	Kurbelwelle Kpl.	Cigüeñal, Conj.	
12	#CRANKSHAFT	1	Crankshaft	Crankshaft	Crankshaft	Crankshaft	Ref. 11
13	U5MB0018A	1	Kit - Main Bearing (+)0.010"	Jeu Coussinets	Lagersatz	Cojinete De Palier	
13	U5MB0018	1	Kit - Main Bearing (Standard)	Jeu Coussinets	Lagersatz	Cojinete De Palier	
13	U5MB0018B	1	Kit - Main Bearing (+)0.020"	Jeu Coussinets	Lagersatz	Cojinete De Palier	
13	U5MB0018C	1	Kit - Main Bearing (+)0.030"	Jeu Coussinets	Lagersatz	Cojinete De Palier	
14	U5ME0026	1	Kit - Big End Bearing	Jeu Coussinets	Lagersatz	Juego Cojinetes	
15	31137551	2	Thrust Washer	Rondelle De Butée	Druckscheibe	Calce	
16	31137561	2	Washer - Thrust	Rondelle Butee	Druckscheibe	Calce	
17	0500012	1	Key - Woodruff	Clavette Demi-Lune	Scheibenfeder	Chaveta Media-Luna	
18	3117C221	1	Gear - Crankshaft	Pignon	Zahnrad	Piñón	

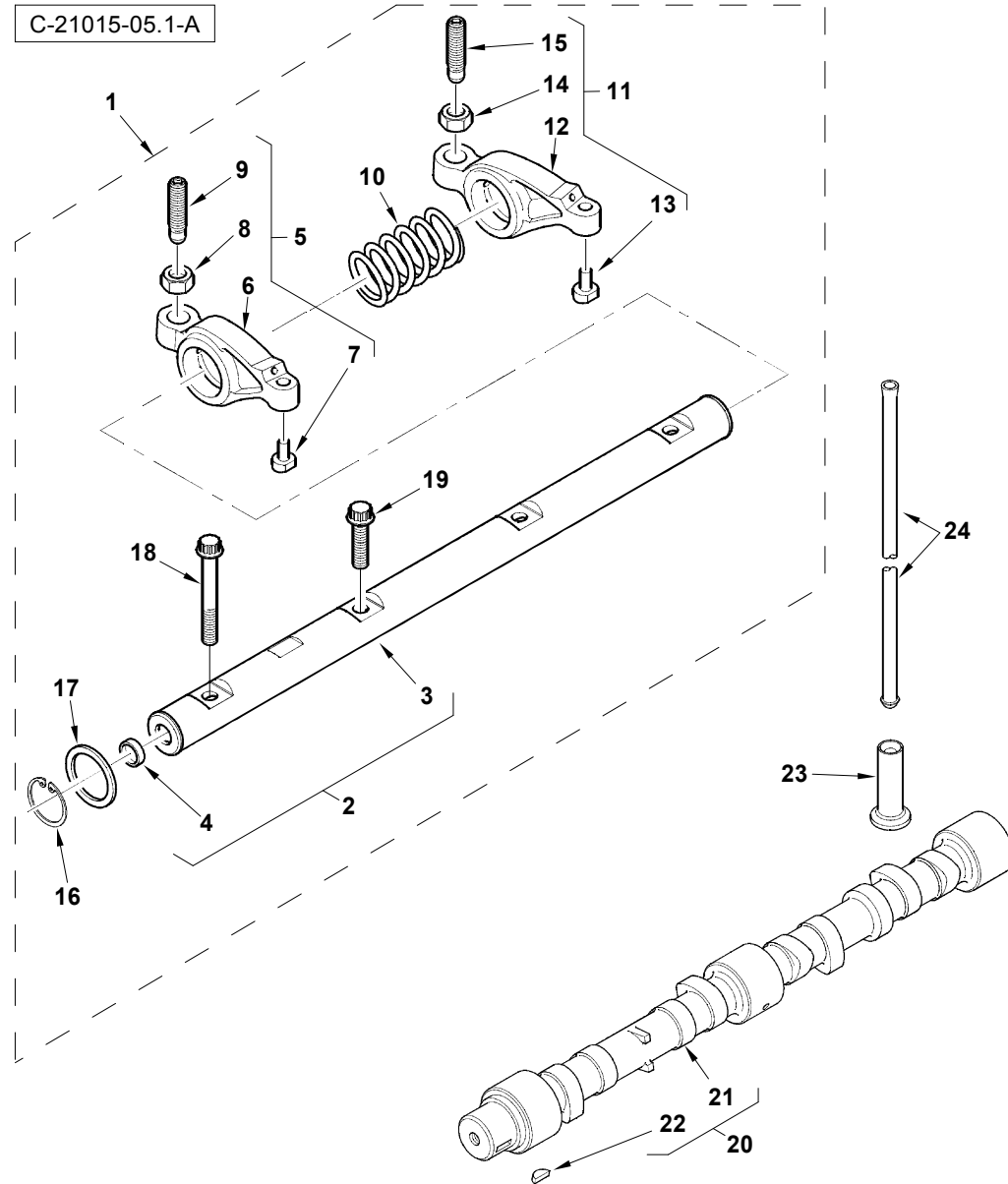


C-21015-04.1-A



Item	Part No.	Qty.	English	French	German	Spanish	Remarks
1	ZZ80280	1	Cylinder Head Assembly	Cylinder Head Assembly	Cylinder Head Assembly	Cylinder Head Assembly	
2	#HEAD, CYLINDER	1	Head, Cylinder	Head, Cylinder	Head, Cylinder	Head, Cylinder	Ref. 1
3	3313A012	4	Guide	Guide	Führung	Guía	
4	3313A012	4	Guide	Guide	Führung	Guía	
5	3314A221	4	Insert - Valve Seat	Insert - Valve Seat	Insert - Valve Seat	Insert - Valve Seat	
6	3314A231	4	Insert - Valve Seat	Douille	Einstazstück	Insercion	
7	32416117	2	Plug	Bouchon	Stopfen	Tapón	
8	0650588	4	Plug	Bouchon	Stopfen	Tapón	
9	3142H101	4	Valve - Intake	Valve - Intake	Valve - Intake	Valve - Intake	
10	2418M519	4	Seal - Valve Stem	Seal - Valve Stem	Seal - Valve Stem	Seal - Valve Stem	Green
11	3174A031	4	Spring - Valve	Spring - Valve	Spring - Valve	Spring - Valve	
12	3342A021	4	Cap	Cap	Cap	Cap	
13	2714A002	8	Collet - Valve	Collet - Valve	Collet - Valve	Collet - Valve	
14	3142A171	4	Valve - Exhaust	Valve - Exhaust	Valve - Exhaust	Valve - Exhaust	
15	2418M517	4	Seal - Valve Stem	Seal - Valve Stem	Seal - Valve Stem	Seal - Valve Stem	Brown
16	3174A031	4	Spring - Valve	Spring - Valve	Spring - Valve	Spring - Valve	
17	3342A021	4	Cap	Cap	Cap	Cap	
18	2714A002	8	Collet - Valve	Collet - Valve	Collet - Valve	Collet - Valve	
19	3278A006	1	Plug	Bouchon	Stopfen	Tapón	
20	2415H003	1	O - Ring	Joint Torique	O-Ring	Junta De Tipo O	
21	2431154	2	Plug	Bouchon	Stopfen	Tapón	
22	3681E051	1	Head Gasket	Joint	Dichtring	Junta	
23	3218A011	7	Screw	Vis	Schraube	Perno	
24	3218A012	3	Screw	Vis	Schraube	Perno	

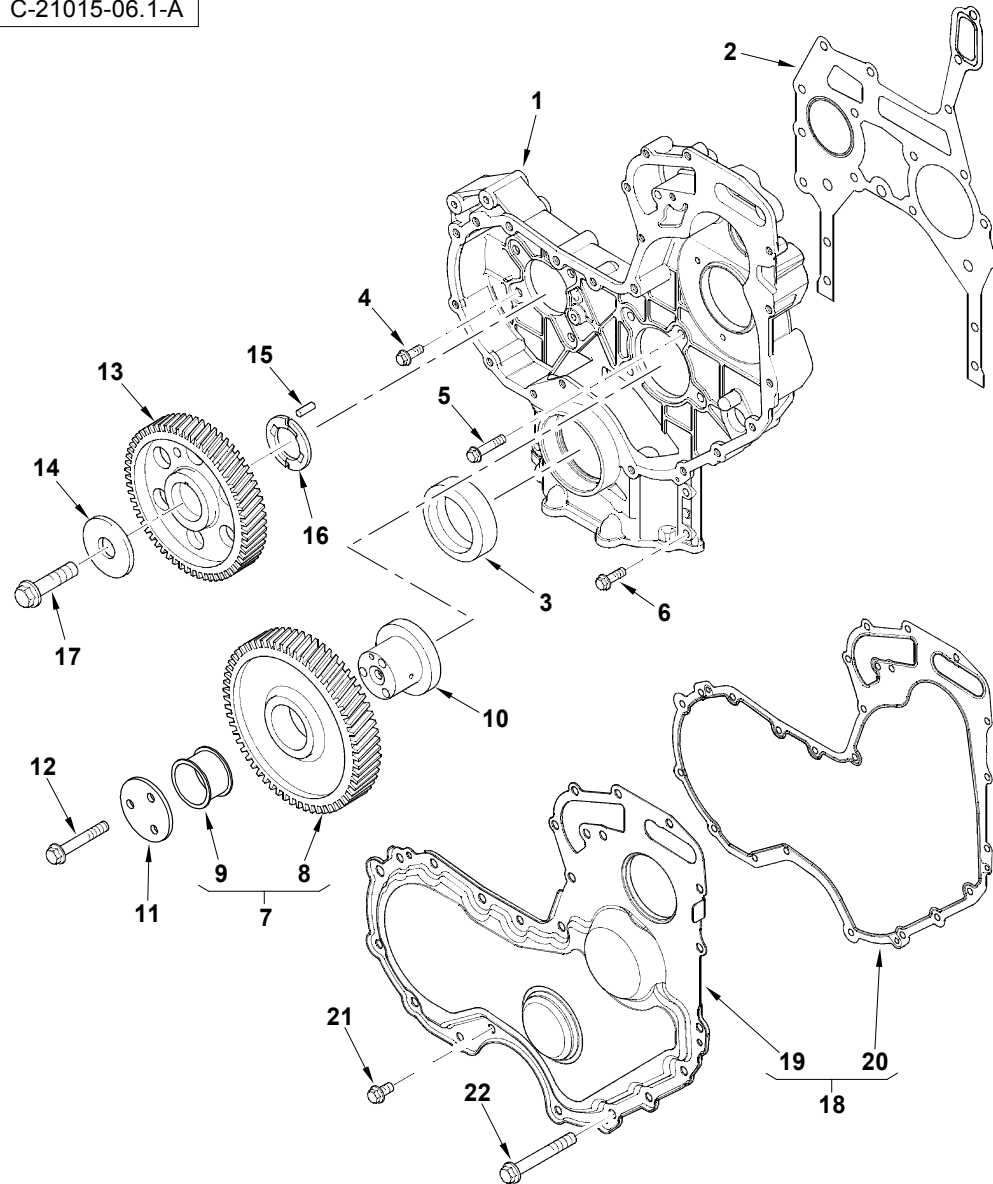




Item	Part No.	Qty.	English	French	German	Spanish	Remarks
1	4115R613	1	Rocker Shaft Assembly	Rocker Shaft Assembly	Rocker Shaft Assembly	Rocker Shaft Assembly	
2	4115R703	1	Rocker Shaft Assembly	Arbre Culbuteurs	Schwingwelle	Árbol, Conj.	
3	#SHAFT	1	Shaft	Shaft	Shaft	Shaft	Ref. 2
4	2485A104	2	Plug	Bouchon	Stopfen	Tapón	
5	4115R319	4	Lever - Rocker	Lever - Rocker	Lever - Rocker	Lever - Rocker	
6	#LEVER	1	Lever	Lever	Lever	Lever	Ref. 5
7	#PAD	1	Pad	Pad	Pad	Pad	Ref. 5
8	3331A006	1	Nut	Nut	Nut	Nut	
9	3211C004	1	Screw	Screw	Screw	Screw	
10	3174A015	3	Spring - Rocker Shaft	Siège De Ressort	Federsitz	Muelle	
11	4115R318	4	Lever - Rocker	Lever - Rocker	Lever - Rocker	Lever - Rocker	
12	#LEVER	1	Lever	Lever	Lever	Lever	Ref. 11
13	#PAD	1	Pad	Pad	Pad	Pad	Ref. 11
14	3331A006	1	Nut	Nut	Nut	Nut	
15	3211C004	1	Screw	Screw	Screw	Screw	
16	2722A022	2	Circlip	Segment D'Arrêt	Sicherungsring	Circlip	
17	2134A502	2	Washer	Rondelle	Scheibe	Arandela	
18	2316A901	1	Screw	Vis	Schraube	Tornillo	
19	2316A902	3	Screw	Vis	Schraube	Tornillo	
20	4112K032	1	Camshaft	Camshaft	Camshaft	Camshaft	
21	#SHAFT	1	Shaft	Shaft	Shaft	Shaft	Ref. 20
22	0500012	1	Key - Woodruff	Clavette Demi-Lune	Scheibenfeder	Chaveta Media-Luna	
23	3142U061	8	Tappet	Tappet	Tappet	Tappet	
24	3142V011	8	Pushrod	Pushrod	Pushrod	Pushrod	



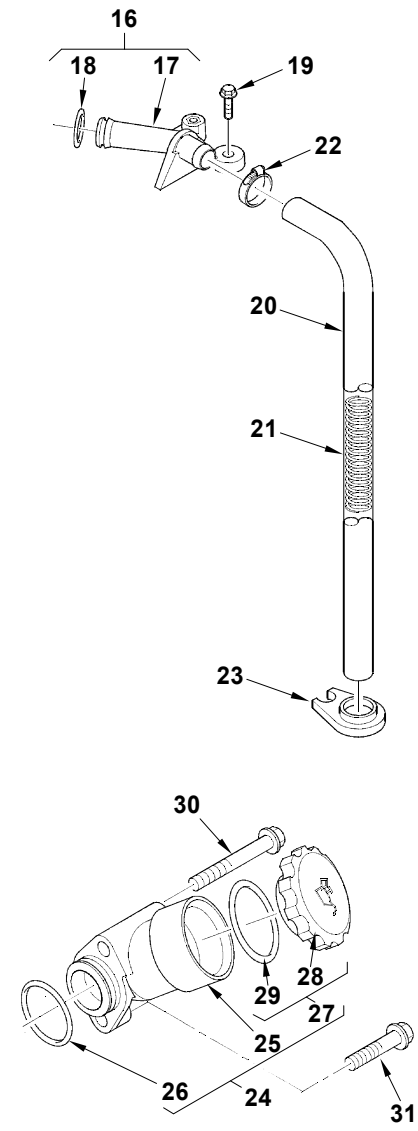
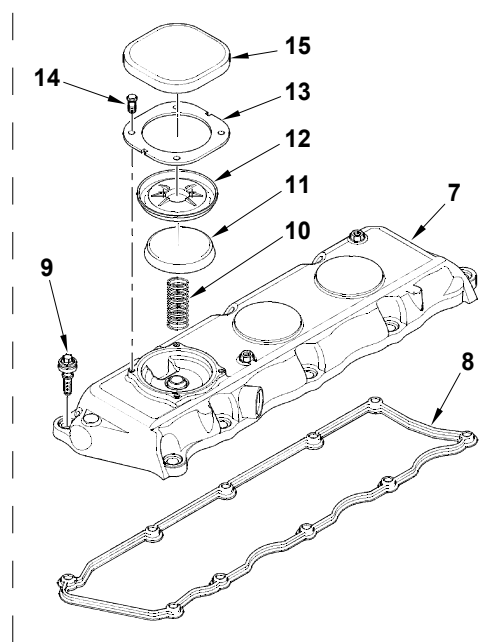
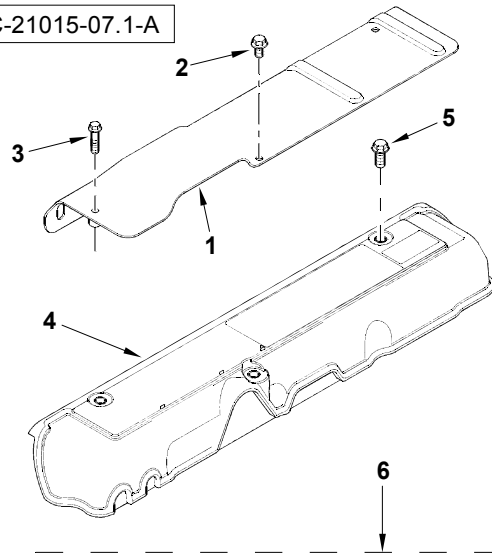
C-21015-06.1-A



Item	Part No.	Qty.	English	French	German	Spanish	Remarks
1	3716C561	1	Case - Timing	Case - Timing	Case - Timing	Case - Timing	
2	3681P053	1	Gasket	Joint	Dichtscheibe	Empaquetadura	
3	2418F437	1	Oil Seal - Timing Cover	Bague Etancheite	Oldichtring	Buje Retenacsite	
4	2314H003	6	Hex Bolt - M8 X 20	Goupille	Bolzen	Tornillo	
5	2314H006	2	Screw	Goupille	Bolzen	Tornillo	
6	2314H034	4	Screw	Vis	Schraube	Tornillo	
7	4111A034	1	Gear - Idler	Pignon Tension	Zwischenrad	Engranaje	
8	#GEAR	1	Gear	Gear	Gear	Gear	Ref. 7
9	#BUSHING	1	Bushing	Douille	Busche	Boccola	Ref. 7
10	3311A054	1	Hub	Hub	Hub	Hub	
11	3241A025	1	Plate	Plate	Plate	Plate	
12	2314J011	3	Bolt	Goupille	Bolzen	Tornillo	
13	3117N001	1	Gear - Camshaft	Pignon	Zahnrad	Piñón	
14	3321A003	1	Washer	Rondelle	Scheibe	Arandela	
15	2116053	1	Dowel	Plot	Zylinderstift	Peón	
16	3112X011	1	Washer - Thrust	Rondelle De Butée	Druckscheibe	Arandela De Tope	
17	2314J606	1	Camshaft Bolt	Vis	Schraube	Tornillo	
18	4142A503	1	Kit - Front Cover	Jeu Couvercle	Deckel Satz	Kit - Front Cover	
19	#COVER	1	Cover	Cover	Cover	Cover	Ref. 18
20	3681P046	1	Joint - Timing Case Cover	Articulation	Verbindung, Gelenk	Articulación	
21	2314H002	10	Screw	Vis	Schraube	Tornillo	
22	2314H012	5	Screw	Vis	Schraube	Tornillo	



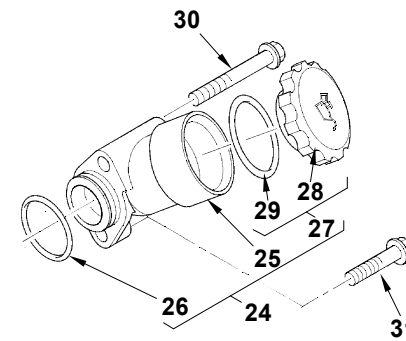
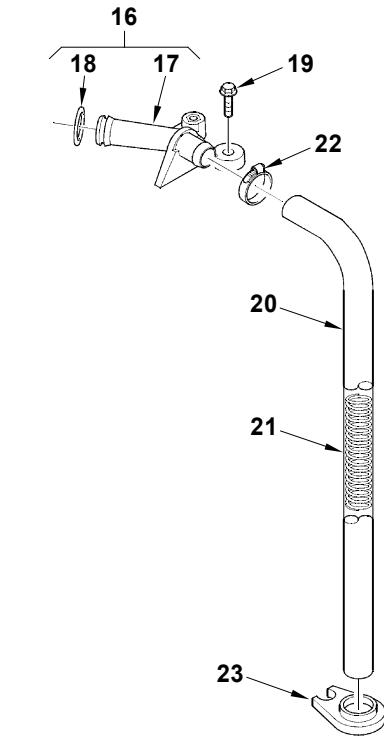
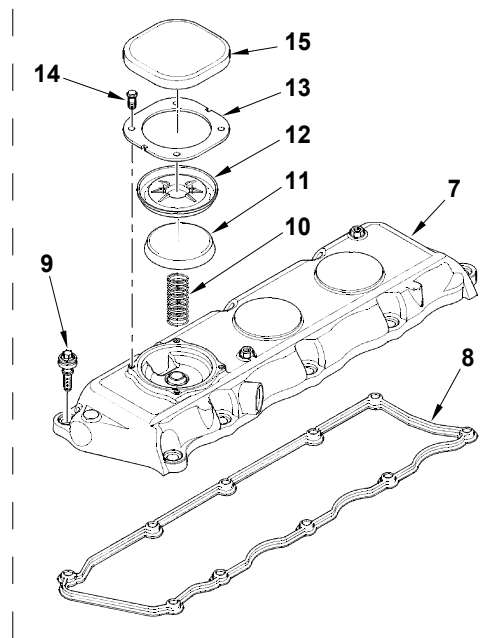
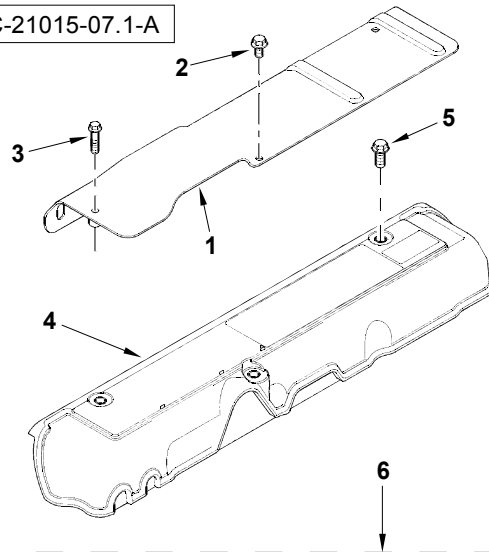
C-21015-07.1-A



Item	Part No.	Qty.	English	French	German	Spanish	Remarks
1	3812A026	1	Heatshield	Garant Thermique	Hitzeschutz	Pantalla Térmica	
2	2314F001	2	Screw	Vis	Schraube	Tornillo	
3	2314F006	1	Screw	Vis	Schraube	Tornillo	
4	3788N003	1	Cover	Couvercle	Deckel	Cover	
5	2314F003	3	Screw	Vis	Schraube	Tornillo	
6	4142X325	1	Cover - Cylinder Head Assembly	Cover - Cylinder Head Assembly	Cover - Cylinder Head Assembly	Cover - Cylinder Head Assembly	
7	#COVER	1	Cover	Cover	Cover	Cover	Ref. 6
8	3681A055	1	Joint - Rocker Cover	Joint	Dichtring	Junta	
9	#SCREW	10	Screw	Vis	Schraube	Tornillo	Ref. 6
10	3174A017	1	Spring	Siège De Ressort	Federsitz	Muelle	
11	3788A002	1	Filler Cap	Capuchon	Wetterkappe	Sombrerete	
12	3789A001	1	Diaphragm	Diaphragme	Membran	Diafragma	
13	3615A009	1	Plate - Cover	Plaque De Fermeture	Verschlussplatte	Placa De Cierre	
14	2151A001	4	Screw	Vis	Schraube	Tornillo	
15	3788A003	1	Cap	Capuchon	Wetterkappe	Sombrerete	
16	4133J011	1	Pipe - Breather	Pipe - Breather	Pipe - Breather	Pipe - Breather	
17	#PIPE	1	Pipe	Pipe	Pipe	Pipe	Ref. 16
18	2415A068	1	O - Ring	Joint Torique	O-Ring	Junta De Tipo O	
19	2314F005	1	Screw (Pack Of 10)	Vis	Schraube	Tornillo	
20	33872632	1	Hose	Flexible	Schlauch	Tubo Flexible	
21	3175P003	1	Spring, Eng. Breather Hose Reinf.	Siège De Ressort	Federsitz	Muelle	
22	2481877	1	Hose Clip	Bride Pour Tutaux	Schlauchschelle	Argolla De Cierre	
23	36241123	1	Support Bracket	Patte Fixation	Halter	Pata De Fijación	
24	4134C043	1	Lubricating Oil Filler	Rempliss.Huile	Einfullstutzen	Rellenador	
25	#BODY	1	Body	Body	Body	Body	Ref. 24
26	2415B148	1	O - Ring	Joint Torique	O-Ring	Junta De Tipo O	
27	4142X098	1	Oil Filler Cap Assy	Capuchon	Wetterkappe	Casco	
28	#CAP	1	Cap	Chapeau	Kappe	Tapa	Ref. 27
29	2415633	1	Seal - Cap	Joint Torique	O-Ring	Junta De Tipo O	
30	2314K161	1	Screw	Vis	Schraube	Tornillo	

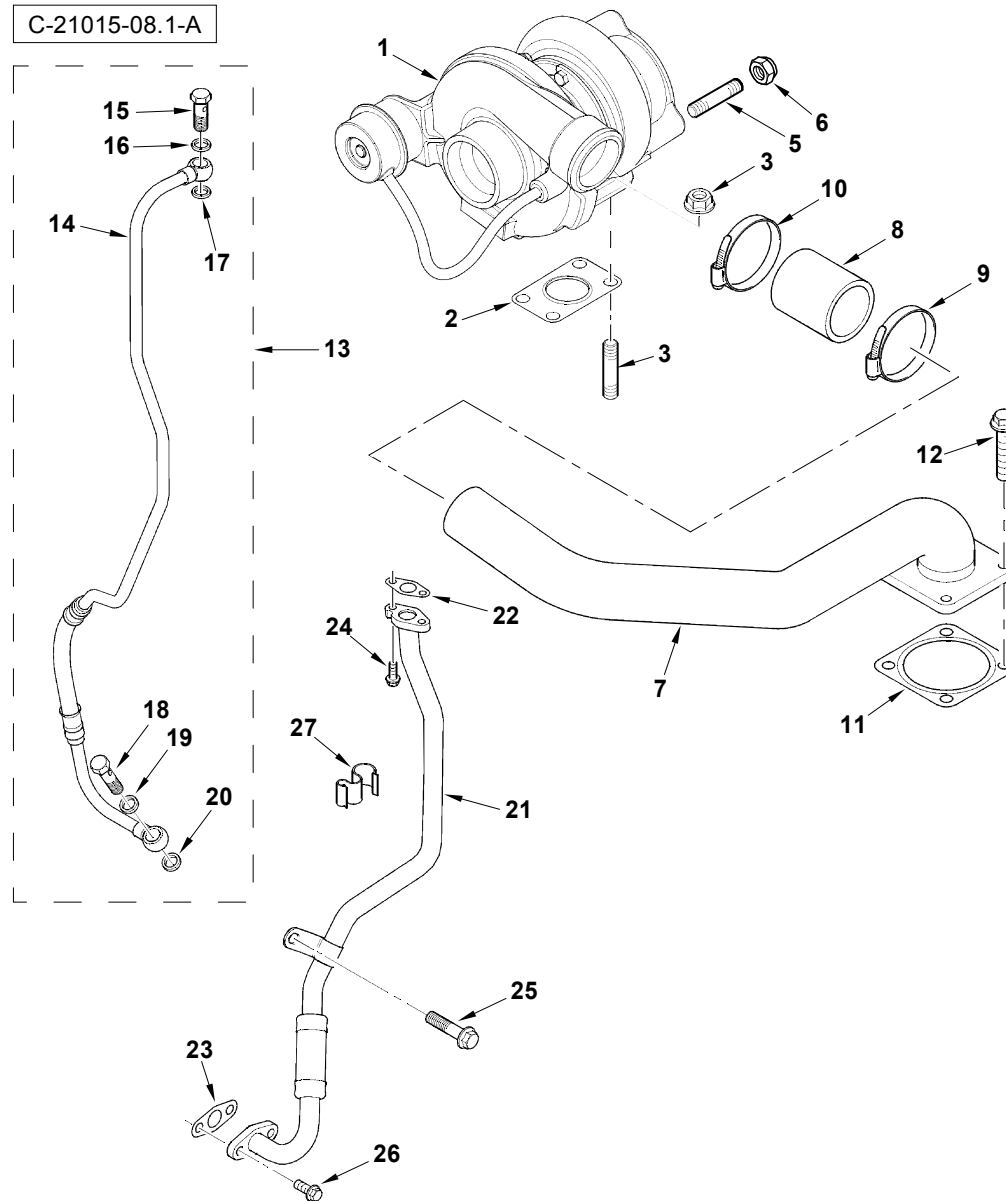


C-21015-07.1-A



Item	Part No.	Qty.	English	French	German	Spanish	Remarks
31	2314H005	1	Screw	Vis	Schraube	Tornillo	

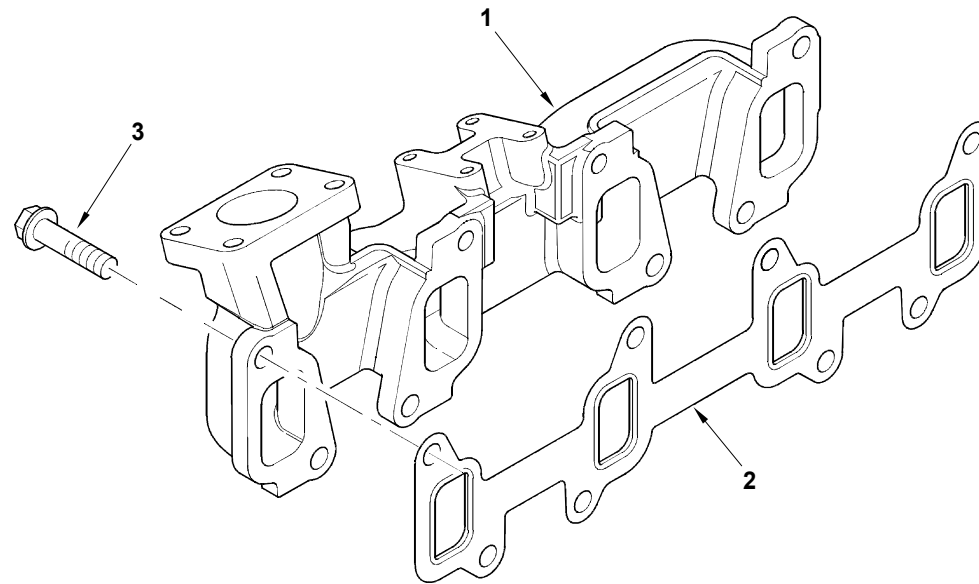




Item	Part No.	Qty.	English	French	German	Spanish	Remarks
1	2674A845	1	Turbocharger	Turbocompresseur	Turbolader	Turboalimentacio	
2	3688A029	1	Joint - Turbo To Manifold	Joint	Dichtung	Articulación	
3	2313M377	4	Stud	Stud	Stud	Stud	
4	2318A634	4	M10 X 1.5 Full Nut Grd 8 Phosphate	Ecrou	Mutter	Tuerca	
5	2313M377	3	Stud	Stud	Stud	Stud	
6	2318A634	3	M10 X 1.5 Full Nut Grd 8 Phosphate	Ecrou	Mutter	Tuerca	
7	3571C072	1	Pipe	Tuyau	Rohr	Tube, Conj.	
8	3383A041	1	Hose	Hose	Hose	Hose	
9	2481D073	1	Clip - Hose	Collier Durit	Schlauchschelle	Clip	
10	2481D073	1	Clip - Hose	Collier Durit	Schlauchschelle	Clip	
11	3688A037	1	Gasket	Joint Plat	Dichtung	Articulación	
12	2314H033	4	Screw	Vis	Schraube	Tornillo	
13	4128A051	1	Pipe - Turbo Oil Feed	Pipe - Turbo Oil Feed	Pipe - Turbo Oil Feed	Pipe - Turbo Oil Feed	
14	#PIPE	1	Pipe	Pipe	Pipe	Pipe	
15	3218R036	1	Bolt - Banjo	Raccord Banjo	Hohlschraube	Perno De Banjo	
16	2131A506	1	Washer	Rondelle	Scheibe	Arandela	
17	2131A506	1	Washer	Rondelle	Scheibe	Arandela	
18	3218R036	1	Bolt - Banjo	Raccord Banjo	Hohlschraube	Perno De Banjo	
19	2131A506	1	Washer	Rondelle	Scheibe	Arandela	
20	2131A506	1	Washer	Rondelle	Scheibe	Arandela	
21	3584A111	1	Pipe - Turbo Oil Drain	Pipe - Turbo Oil Drain	Pipe - Turbo Oil Drain	Pipe - Turbo Oil Drain	
22	3688A035	1	Joint	Joint Plat	Dichtung	Articulación	
23	3688A036	1	Joint	Joint Plat	Dichtung	Articulación	
24	2314F004	2	Bolt	Boulon	Schraube	Perno	
25	2314J029	1	Screw	Vis	Schraube	Tornillo	
26	2314H003	2	Hex Bolt - M8 X 20	Goupille	Bolzen	Tornillo	
27	2481D314	1	Clip	Clip	Klips	Clip	



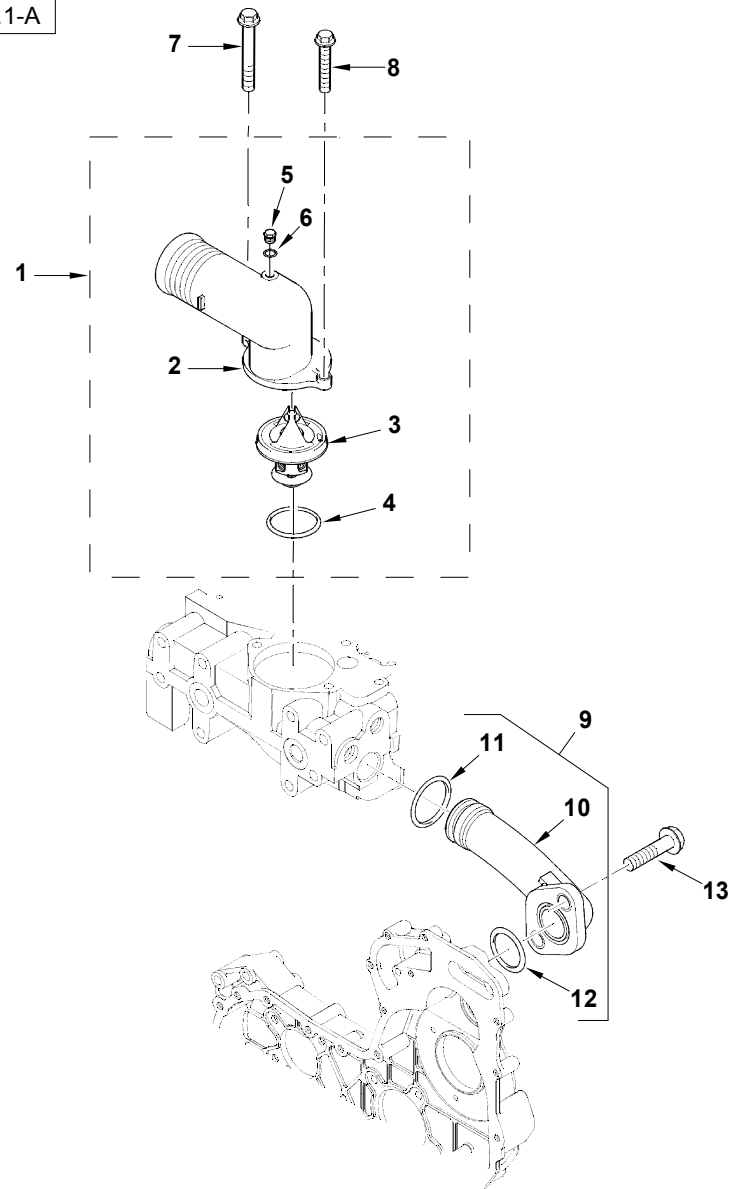
C-21015-09.1-A



Item	Part No.	Qty.	English	French	German	Spanish	Remarks
1	3778E223	1	Manifold - Exhaust	Manifold - Exhaust	Auspuffkrummer	Manifold - Exhaust	
2	3681V512	1	Joint - Exhaust Manifold	Joint	Dichtring	Junta	
3	3218J013	8	Screw	Vis	Schraube	Tornillo	



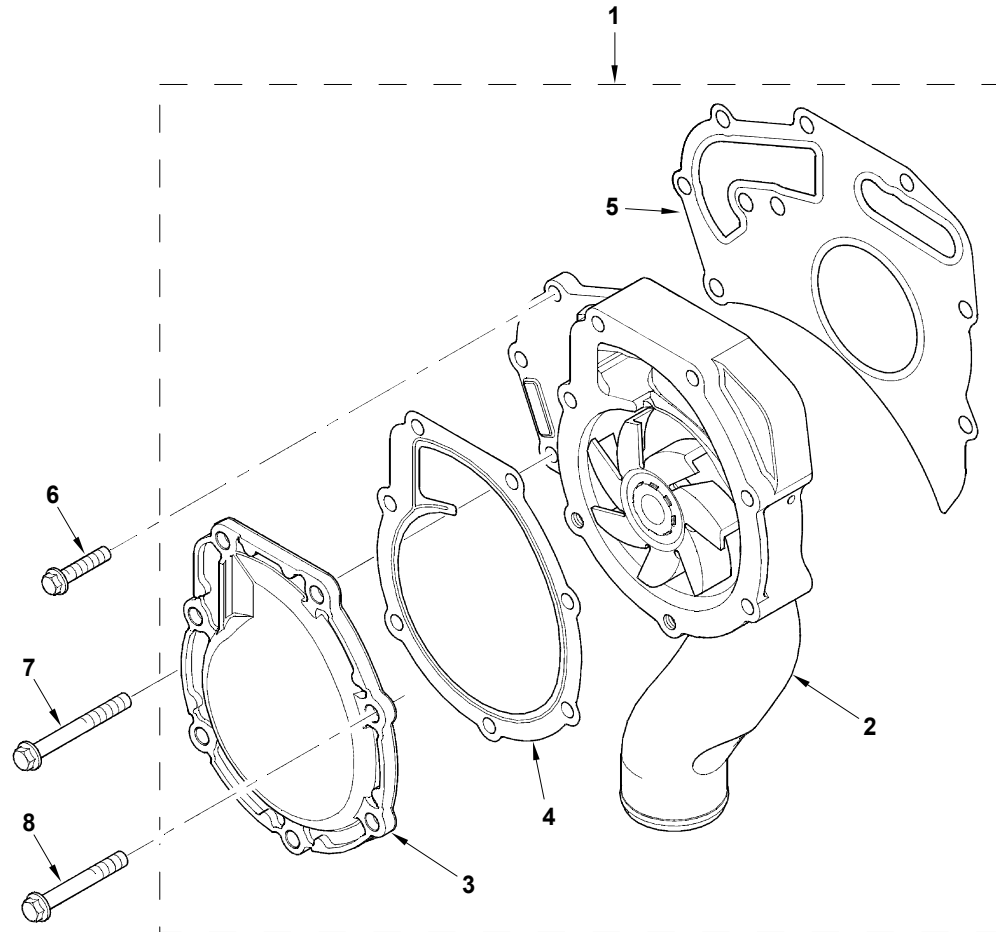
C-21015-10.1-A



Item	Part No.	Qty.	English	French	German	Spanish	Remarks
1	4133L509	1	Manifold Assy	Thermostat	Thermostat	Termostato	
2	#HOUSING	1	Housing	Carter	Gehäuse	Alojamiento	Ref. 1
3	#THERMOSTAT	1	Thermostat	Thermostat	Thermostat	Thermostat	Ref. 1
4	2415H219	1	Hose Seal	Joint Etancheite	Dichtring	Reten	
5	29990015	1	Plug	Bouchon	Verschstopfen	Plug	
6	29990016	1	O - Ring	Joint Torique	O - Ring	O - Ring	
7	2314H012	1	Screw	Vis	Schraube	Tornillo	
8	2314H004	1	Screw	Vis	Schraube	Tornillo	
9	4133L048	1	Connection	Borne	Doppelnippel	Conexión, Conj.	
10	#CONNECTOR	1	Connector	Connector	Connector	Connector	Ref. 9
11	2418F002	1	O - Ring	Joint Torique	O-Ring	Junta De Tipo O	
12	2418F001	1	O - Ring	Joint Torique	O-Ring	Junta De Tipo O	
13	2314H003	2	Hex Bolt - M8 X 20	Goupille	Bolzen	Tornillo	



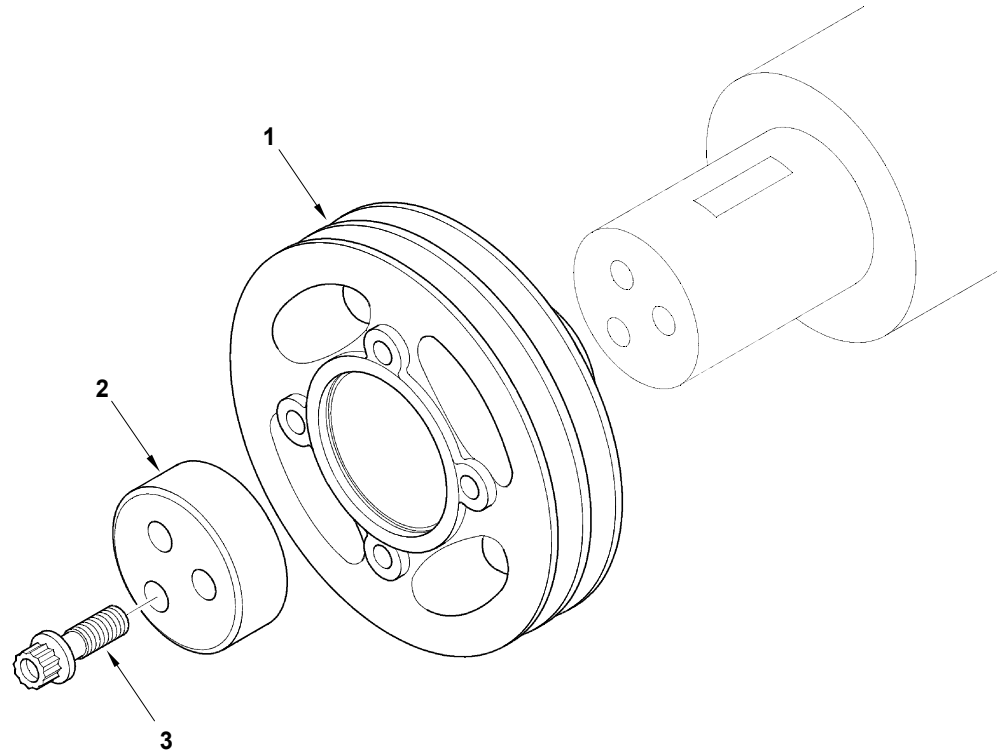
C-21015-11.1-A



Item	Part No.	Qty.	English	French	German	Spanish	Remarks
1	U5MW0208	1	Kit - Water Pump	Jeu Pompe A Eau	Wasserpumpensatz	Jgo Bomba Agua	
2	#BODY	1	Body	Body	Body	Body	Ref. 1
3	#COVER	1	Cover	Cover	Cover	Cover	Ref. 1
4	24880234	1	Gasket - Water Pump	Gasket - Water Pump	Gasket - Water Pump	Gasket - Water Pump	
5	3682A011	1	Joint - Water Pump	Joint Plat	Dichtung	Articulación	
6	2314H005	2	Screw	Vis	Schraube	Tornillo	
7	2314K164	2	Screw	Vis	Schraube	Tornillo	
8	2314H012	5	Screw	Vis	Schraube	Tornillo	



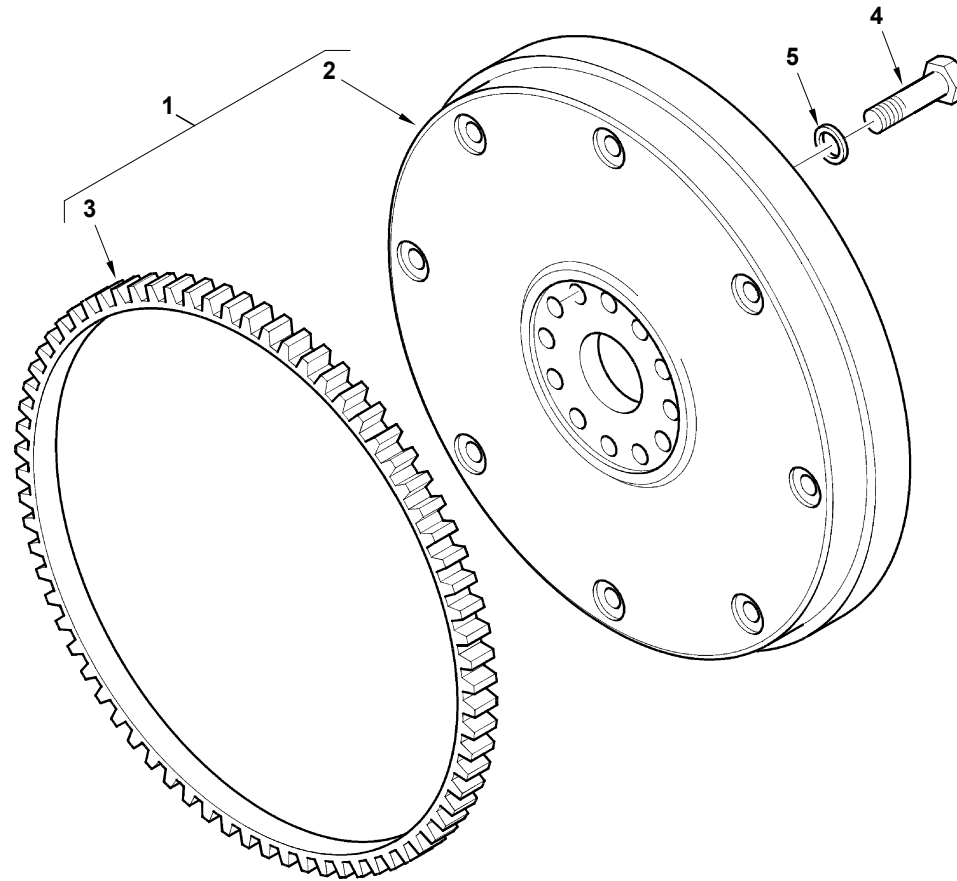
C-21015-12.1-A



Item	Part No.	Qty.	English	French	German	Spanish	Remarks
1	3115T081	1	Pulley - Crankshaft	Poulie Vilebreq.	R Scheibe,Kuwe	Polea	
2	3241N001	1	Block	Bloc	Block	Tope	
3	32186137	3	Bolt - Crankshaft	Goupille	Bolzen	Perno	



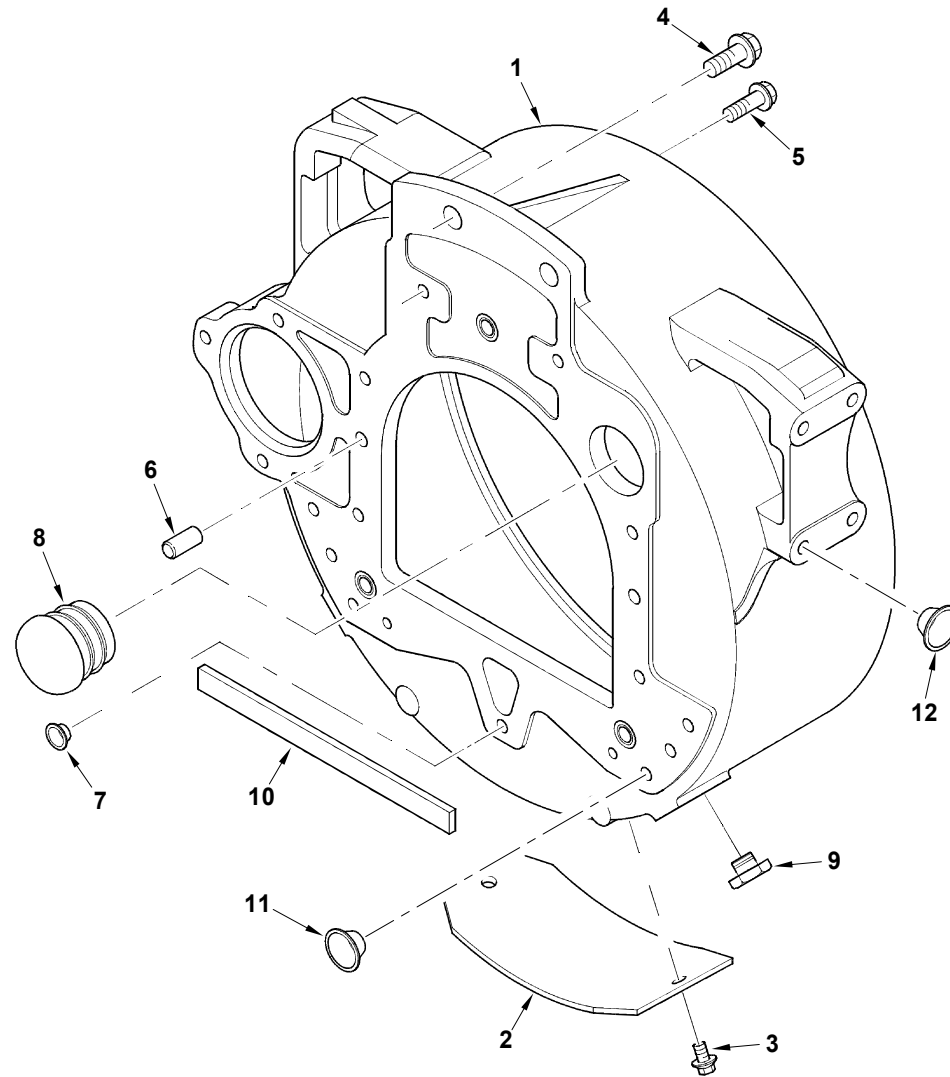
C-21015-13.1-A



Item	Part No.	Qty.	English	French	German	Spanish	Remarks
1	4111D127	1	Flywheel Assembly	Volant Moteur	Schwungrad Kpl	Volante Motor	
2	#FLYWHEEL	1	Flywheel	Flywheel	Flywheel	Flywheel	Ref. 1
3	31162121	1	Gear - Starter Ring	Roue Dentee	Zahnrad	Cambio	
4	0746853	6	Screw	Vis	Schraube	Tornillo	
5	33117127	6	Washer	Rondelle	Scheibe	Arandela	



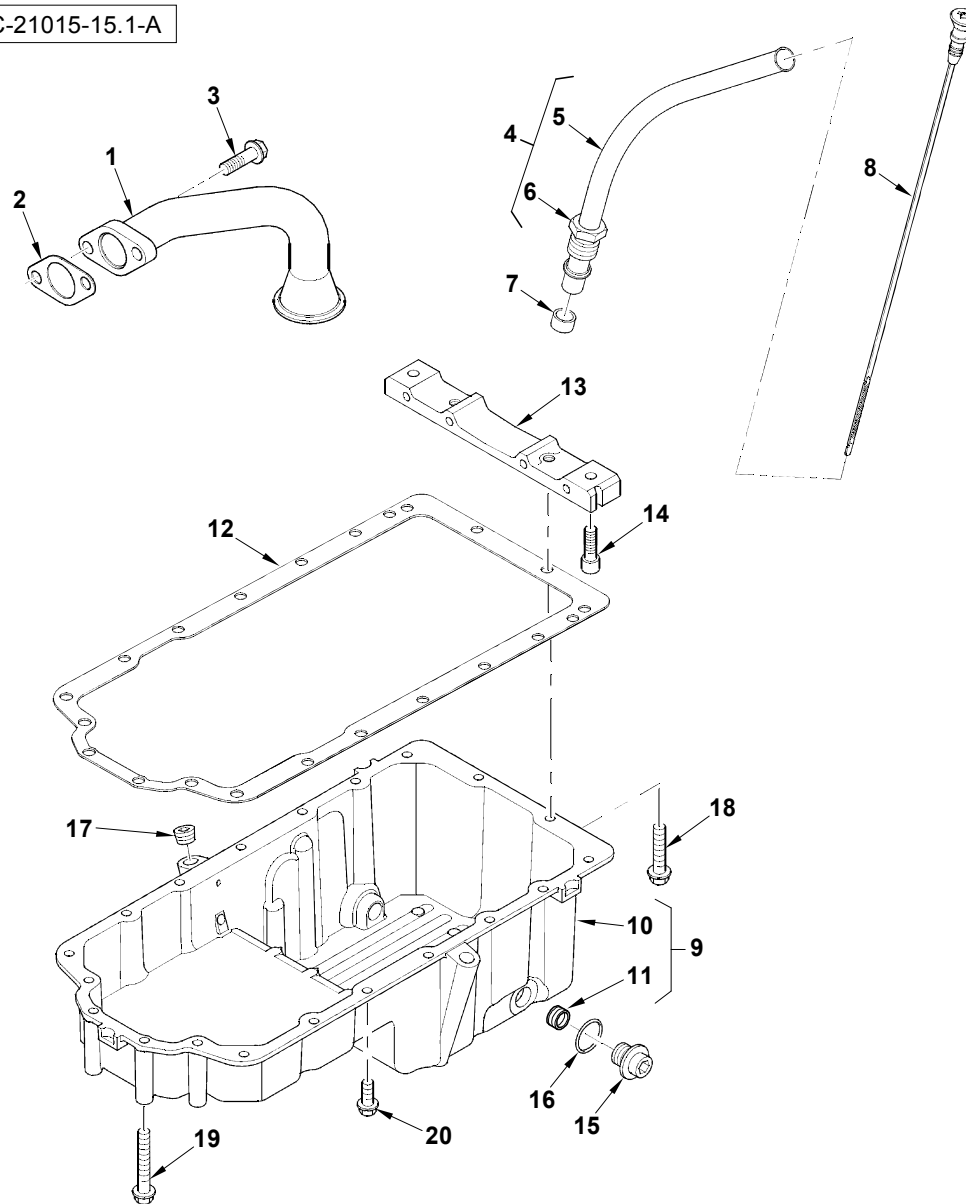
C-21015-14.1-A



Item	Part No.	Qty.	English	French	German	Spanish	Remarks
1	3713M049	1	Housing - Flywheel	Carter De Volant	Schwungradgeh	Cárter	
2	36212132	1	Plate	Plaque	Platte	Placa	
3	2314H102	2	Screw	Vis	Schraube	Tornillo	
4	2314J603	2	Screw	Vis	Schraube	Tornillo	
5	2314J204	6	Screw	Vis	Schraube	Tornillo	
6	3245A011	2	Dowel	Dowel	Dowel	Dowel	
7	2487204	3	Plug	Bouchon	Stopfen	Tapón	
8	2487A452	1	Plug - Blanking	Obturateur	Verschlussstopfen	Tapón De Bloqueo	
9	2487Y005	2	Plug	Bouchon	Stopfen	Tapón	
10	36843154	1	Seal	Joint D ´Arbre	Wellendichtring	Junta	
11	2487207	6	Plug	Bouchon	Stopfen	Tapón	
12	2487207	4	Plug	Bouchon	Stopfen	Tapón	



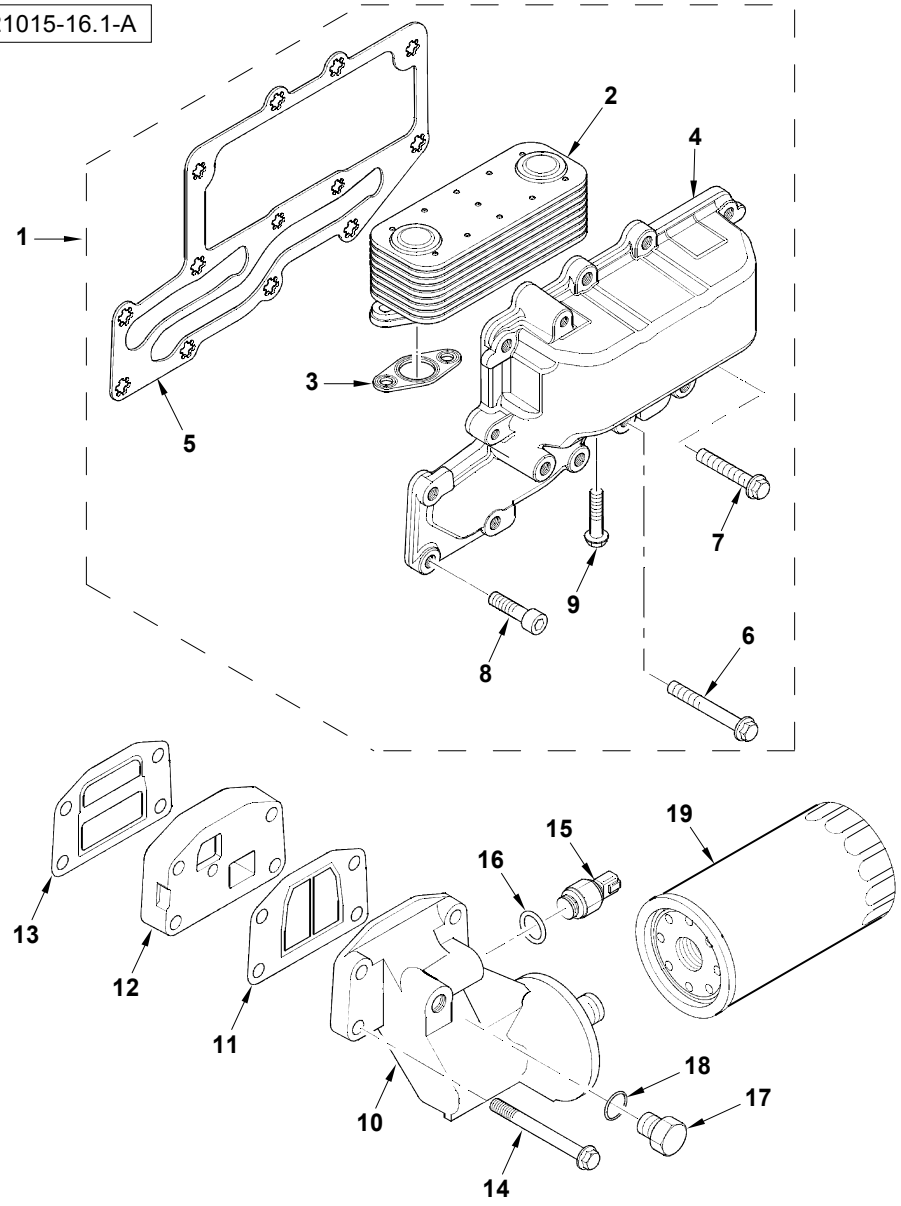
C-21015-15.1-A



Item	Part No.	Qty.	English	French	German	Spanish	Remarks
1	3575A061	1	Pipe - Suction	Ensemble Tuyauterie	Rohr Kpl.	Tubo, Conj.	
2	36832137	1	Joint, Turbo Lub. Oil Drain Pipe	Articulation	Dichtring	Articulación	
3	2314H004	2	Screw	Vis	Schraube	Tornillo	
4	3577A155	1	Support Tube	Tube	Rohr	Tubo	
5	#TUBE	1	Tube	Tube	Tube	Tube	Ref. 4
6	#NUT	1	Nut	Ecrou	Mutter	Tuerca	Ref. 4
7	33812116	1	Olive, Dipstick Tube	Ori•ce	Blende	Ori•cio	
8	3178C185	1	Dipstick	Juage	Messstab	Dipstick	
9	4145H091	1	Sump	Carter À Huile	Ölwanne	Cárter De Aceite	
10	#PAN, OIL	1	Pan, Oil	Pan, Oil	Pan, Oil	Pan, Oil	Ref. 9
11	2137435	2	Insert	Siège De Ressort	Federsitz	Muelle	
12	3681K037	1	Joint - Sump	Joint	Dichtring	Junta	
13	3627P041	1	Bridge Piece	Pontet	Traverse	Placa	
14	2311D039	2	Screw	Vis	Schraube	Tornillo	
15	32186405	2	Plug - Oil Drain	Bouchon	Stopfen	Tapón	
16	2415715	2	O-Ring - Sump Plug	Joint Torique	O-Ring	Junta De Tipo O	
17	2431A016	1	Plug	Bouchon	Stopfen	Tapón	
18	2314H033	2	Screw	Vis	Schraube	Tornillo	
19	2314K166	6	Screw	Vis	Schraube	Tornillo	
20	2314H003	12	Hex Bolt - M8 X 20	Goupille	Bolzen	Tornillo	



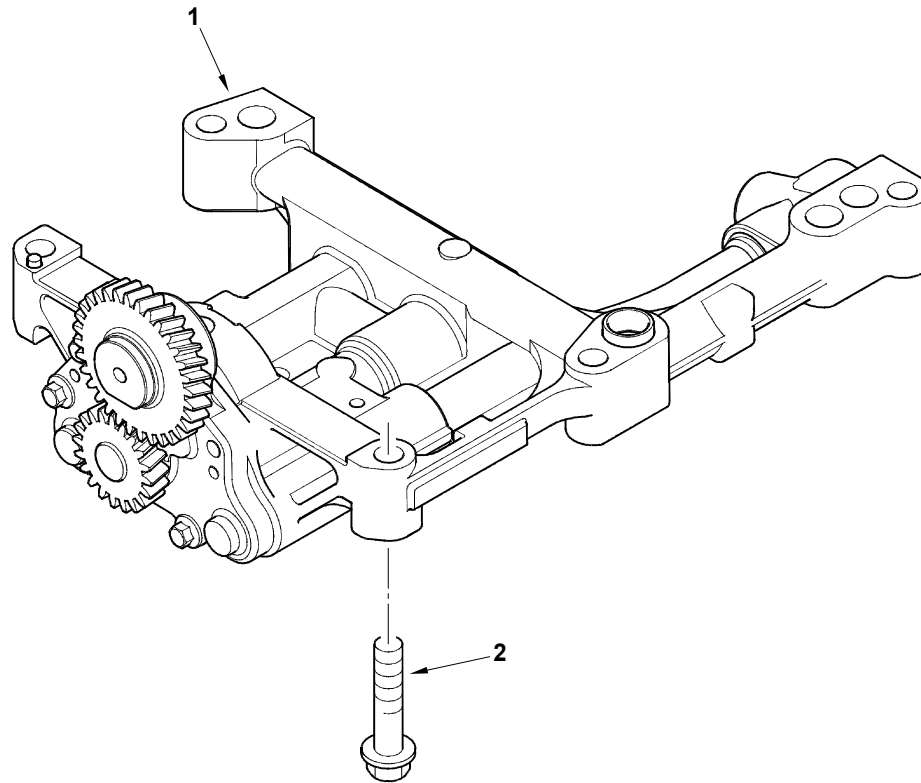
C-21015-16.1-A



Item	Part No.	Qty.	English	French	German	Spanish	Remarks
1	4134W021	1	Cooler - Oil	Cooler - Oil	Cooler - Oil	Cooler - Oil	
2	2486A217	1	Oil Cooler	Refroidisseur A Huil	Oelkuhler	Radiador De Aceite	
3	3685A025	2	Joint	Joint Plat	Dichtung	Junta	
4	#HOUSING	1	Housing	Carter	Gehäuse	Alojamiento	Ref. 1
5	3685A033	1	Gasket - Oil Cooler	Joint	Dichtscheibe	Empaquetadura	
6	2314K161	3	Screw	Vis	Schraube	Tornillo	
7	2314H004	8	Screw	Vis	Schraube	Tornillo	
8	2311D060	2	Screw	Vis	Schraube	Tornillo	
9	2314H006	4	Screw	Goupille	Bolzen	Tornillo	
10	3773A071	1	Oil Filter Head	Ensemble De Tête	Kopf Kpl.	Oil Filter Head	
11	3688A041	1	Joint	Joint Plat	Dichtung	Articulación	
12	3773A081	1	Adaptor	Adaptateur	Reduziernippel	Adaptador	
13	3688A039	1	Joint	Joint Plat	Dichtung	Articulación	
14	2314H038	4	Screw	Vis	Schraube	Tornillo	
15	2848A071	1	Oil Pressure Switch	Pressostat D'huile	Oeldruckschalter	Interruptor	
16	2415H002	1	O - Ring	Joint Torique	O-Ring	Junta De Tipo O	
17	3278A007	1	Plug	Bouchon	Stopfen	Tapón	
18	2415H009	1	O - Ring	Joint Torique	O-Ring	Junta De Tipo O	
19	2654407	1	Canister-Engine Oil Filter	Filtre	Filter	Filtro	

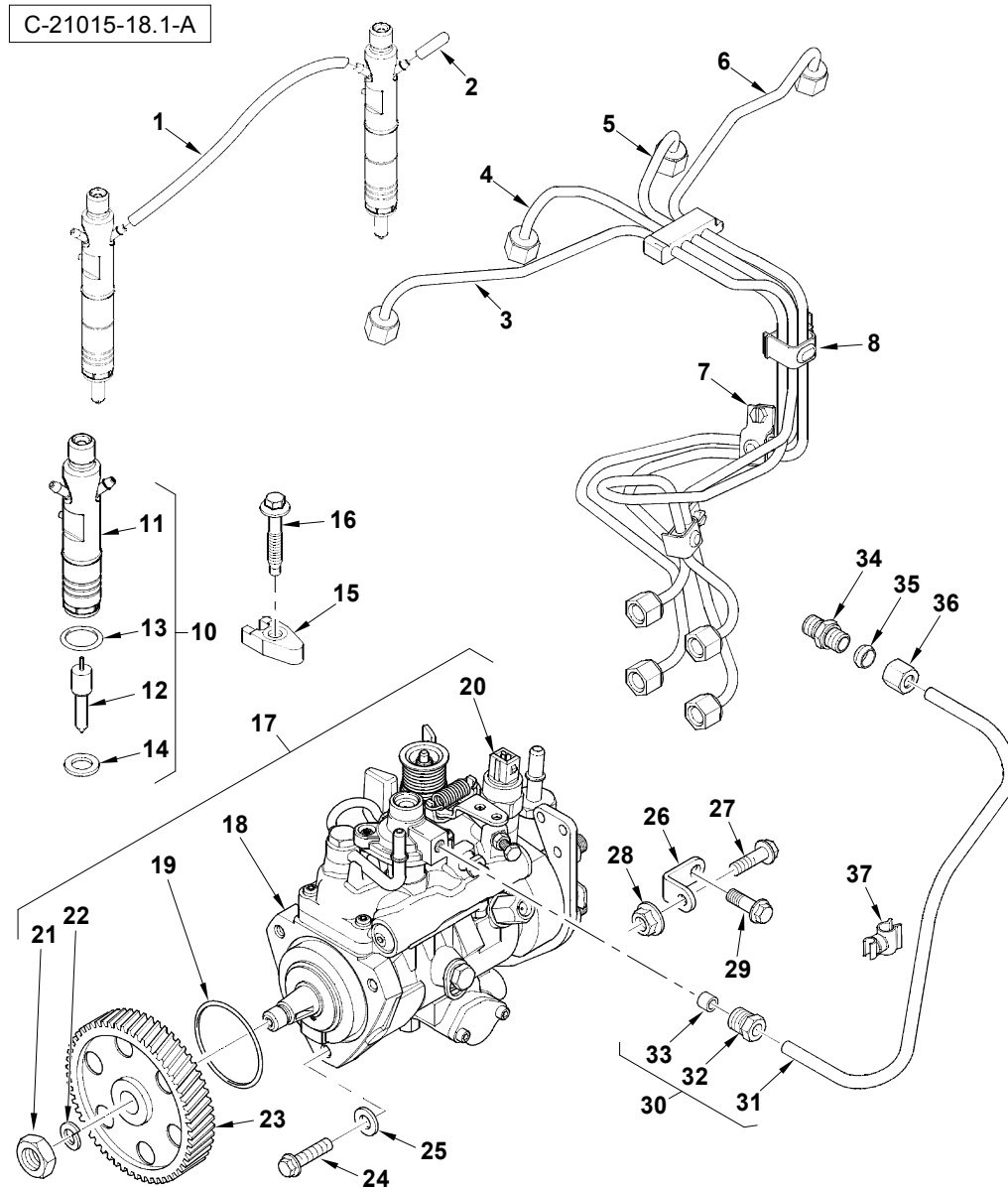


C-21015-17.1-A



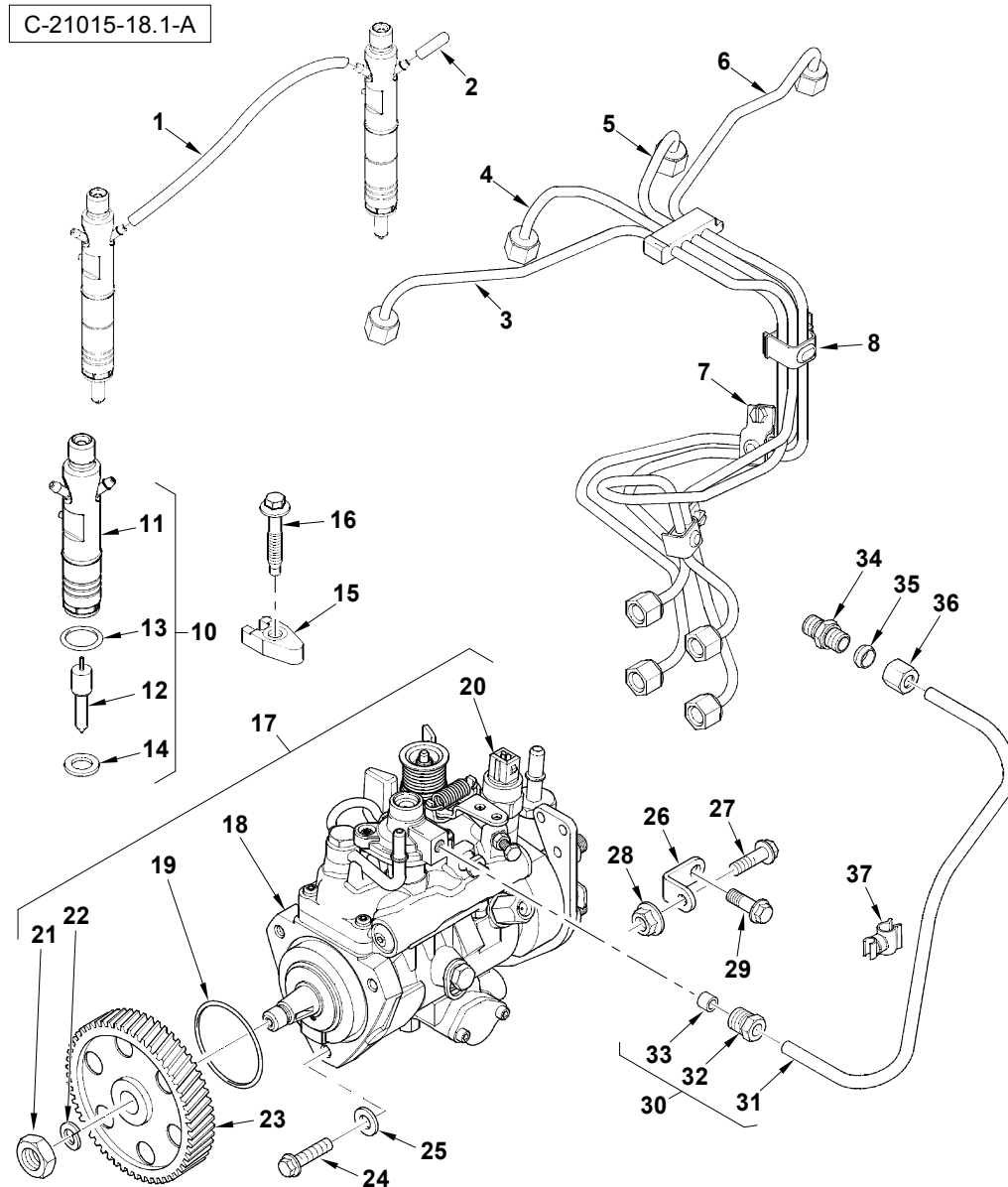
Item	Part No.	Qty.	English	French	German	Spanish	Remarks
1	4132F071	1	Pump - Oil	Pompe À Huile	Motorölpumpe	Bomba De Aceite	
2	2314J008	5	Screw	Vis	Schraube	Tornillo	





Item	Part No.	Qty.	English	French	German	Spanish	Remarks
1	2646F501	3	Hose - Flexible	Flexible	Schlauch	Tubo Flexible	
2	2646E501	1	Cap	Capuchon	Wetterkappe	Sombbrero	
3	3525A101	1	Pipe - Fuel Injection No.1	Tuyau Injection	Einspritzleitung	Tubo, Conj.	
4	3525A102	1	Pipe - Fuel Injection No.2	Tuyau Injection	Einspritzleitung	Tubo, Conj.	
5	3525A103	1	Pipe - Fuel Injection No.3	Tuyau Injection	Einspritzleitung	Tubo, Conj.	
6	3525A104	1	Pipe - Fuel Injection No.4	Tuyau Injection	Einspritzleitung	Tubo, Conj.	
7	2481Y011	2	Clip	Clip	Klips	Clip	
8	2481Y012	1	Clip	Clip	Klips	Clip	
9	2646E019	1	Clamp - Fuel Inj. Pipes	Bride De Fixation	Befestigungshalter	Brida De Fijación	
10	2645K025	4	Injector Assembly	Atomiseur	Einspritzduese	Inyector	
11	#HOLDER	1	Holder	Holder	Holder	Holder	Ref. 10
12	#NOSE	1	Nose	Nose	Nose	Nose	Ref. 10
13	26460064	1	Seal - Injector	Seal - Injector	Seal - Injector	Seal - Injector	
14	L311FF02	1	Seal - Fuel Inj. Nozzle	Rondelle	Scheibe	Arandela	
15	3751A241	1	Clamp - Injector	Collier De Serrage	Klemme	Argolla De Cierre	
16	2314W009	1	Screw	Vis	Schraube	Tornillo	
17	2644C313/22	1	Injection Pump	Pompe	Pumpe	Bomba	
18	#PUMP, INJECTION	1	Pump, Injection	Pump, Injection	Pump, Injection	Pump, Injection	Ref. 17
19	26420318	1	O-Ring	Joint Torique	O-Ring	Junta De Tipo O	
20	26420469	1	Solenoid - Fuel Cut-Off	Solenoid	Solenoid	Solenoid	
21	2318A108	1	Nut	Ecrou	Mutter	Tuerca	
22	K134AF01	1	Washer	Rondelle	Scheibe	Arandela De Freno	
23	3117L261	1	Gear - Injection Pump	Pignon	Zahnrad	Piñón	
24	2314H004	3	Screw	Vis	Schraube	Tornillo	
25	2411D008	3	Washer	Rondelle	Scheibe	Arandela	
26	3641A007	1	Bracket	Patte Fixation	Halter	Pata De Fijación	
27	2314H003	1	Hex Bolt - M8 X 20	Goupille	Bolzen	Tornillo	
28	2318A603	1	Nut (Pack Of 10)	Ecrou	Mutter	Tuerca	
29	2314J002	1	Screw	Vis	Schraube	Tornillo	
30	4121A063	1	Pipe - Boost Control	Pipe - Boost Control	Rohrleitung	Pipe - Boost Control	

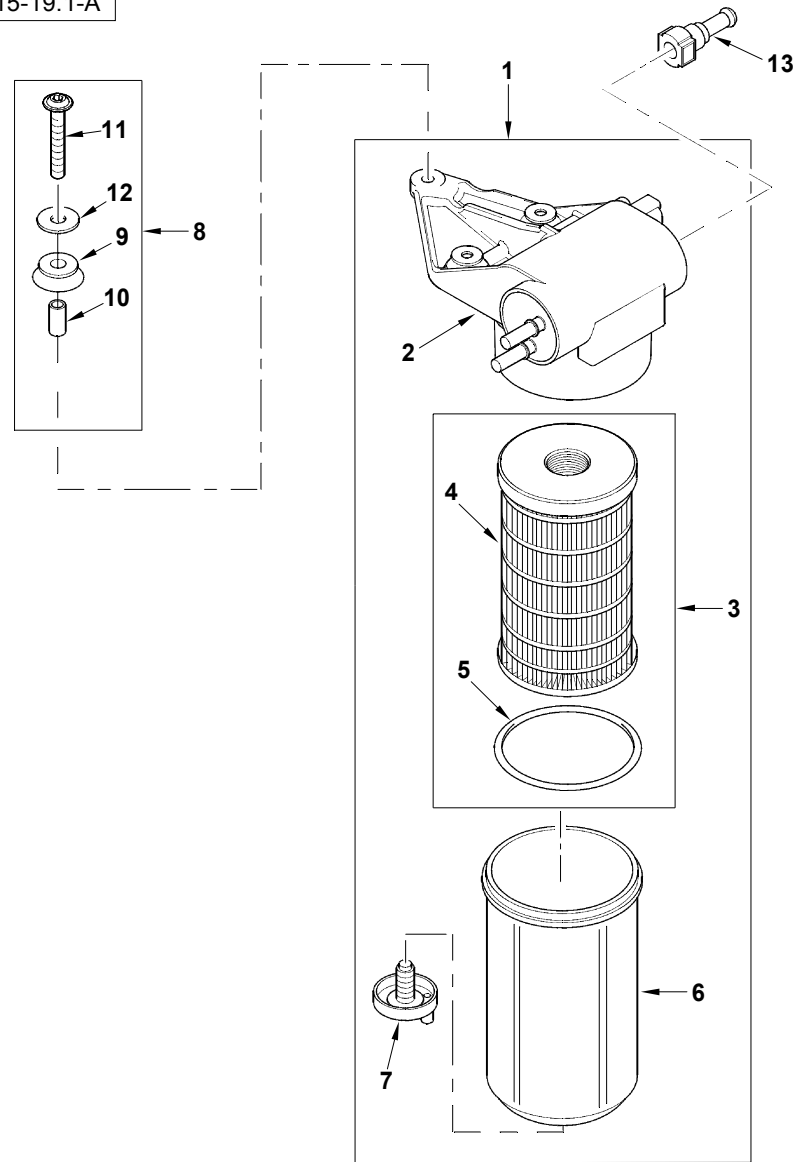




Item	Part No.	Qty.	English	French	German	Spanish	Remarks
31	#PIPE	1	Pipe	Pipe	Pipe	Pipe	Ref. 30
32	#NUT	1	Nut	Ecrou	Mutter	Tuerca	Ref. 30
33	33811112	1	Olive - Fuel Pipe	Ori•ce	Blende	Ori•cio	
34	0206002	1	Union	Union	Schraubanschluss	Union	
35	0576111	1	Nut	Ecrou	Mutter	Tuerca	
36	0566002	1	Olive	Olive	Schneidring	Ori•cio	
37	2481D406	1	Clip - Pipe	Collier Durit	Schlauchschelle	Clip, Manguera	



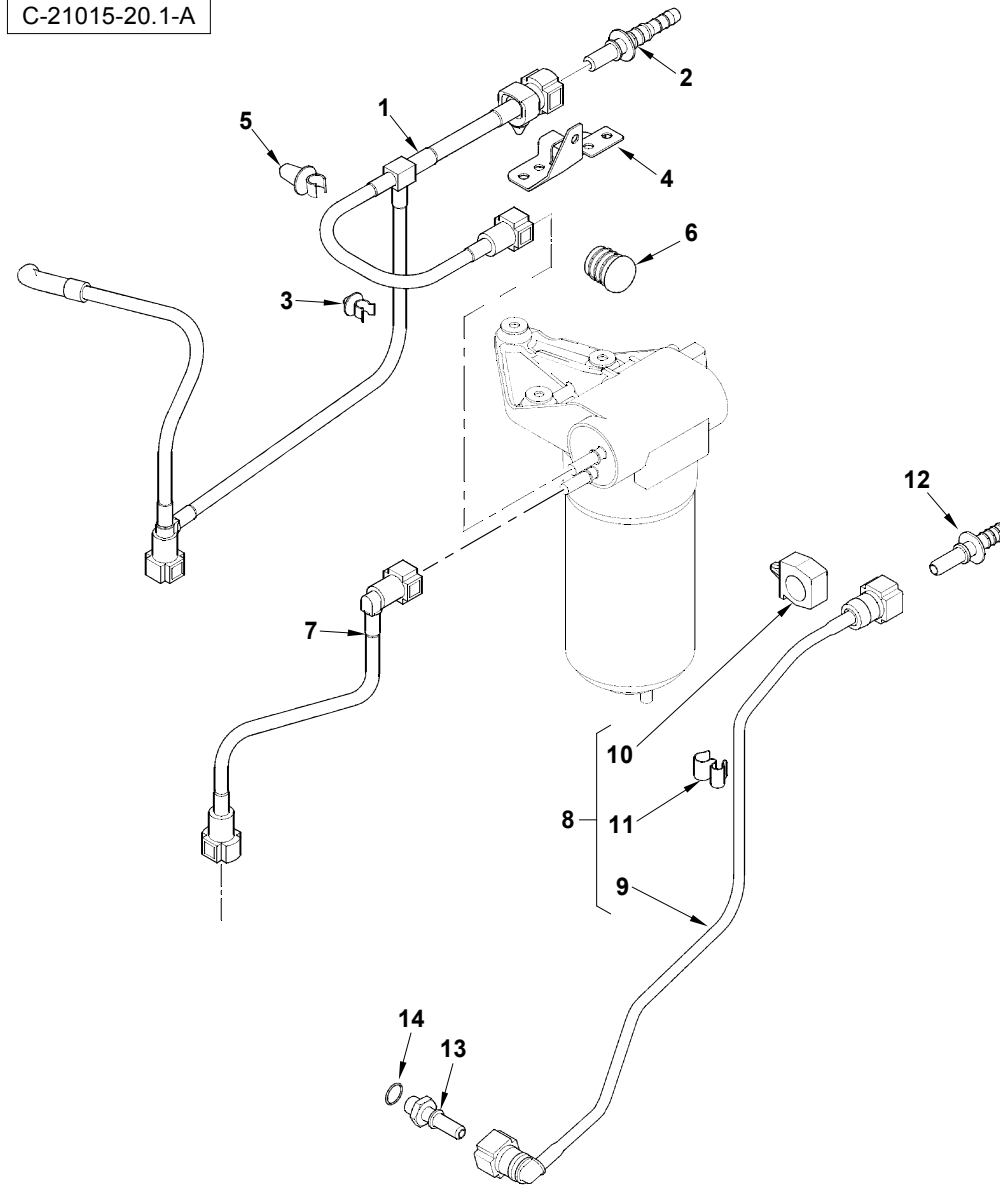
C-21015-19.1-A



Item	Part No.	Qty.	English	French	German	Spanish	Remarks
1	4132A018	1	Pump - Fuel Lift - Use Ulpk0038	Pompe	Pumpe	Bomba	
2	#PUMP, FUEL LIFT	1	Pump, Fuel Lift	Pump, Fuel Lift	Pump, Fuel Lift	Pump, Fuel Lift	Ref.1
3	26560201	1	Element - Filter Engine Fuel *S*	Cartouche Filtrante	Filterpatrone	Elemento De Filtro	
4	#ELEMENT, FILTER	1	Element, Filter	Element, Filter	Element, Filter	Element, Filter	Ref. 3
5	#O-RING	1	O-Ring	Joint Torique	O-Ring	Junta Tórica	Ref. 3
6	2656F837	1	Bowl	Bowl	Bowl	Bowl	
7	2656F836	1	Plug - Drain	Plug - Drain	Plug - Drain	Plug - Drain	
8	U5MK1239	1	Mounting	Mounting	Mounting	Mounting	
9	#MOUNT	6	Mount	Mount	Mount	Mount	Ref. 8
10	#SPACER	3	Spacer	Spacer	Spacer	Spacer	Ref. 8
11	2316T135	3	Screw	Screw	Screw	Screw	
12	2131A507	3	Washer	Rondelle	Scheibe	Arandela	
13	3763A046	1	Connector	Borne	Doppelnippel	Conector	

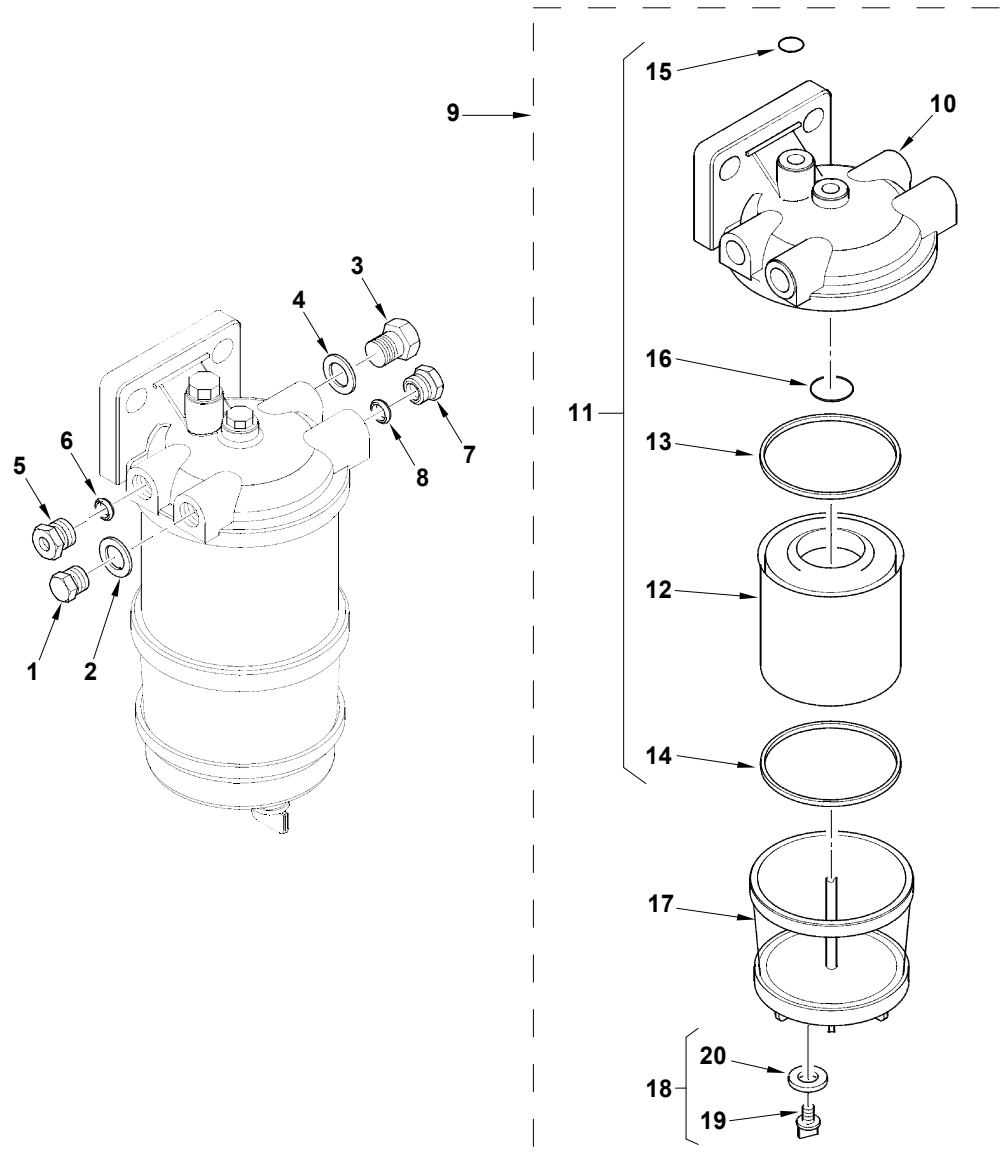


C-21015-20.1-A



Item	Part No.	Qty.	English	French	German	Spanish	Remarks
1	2646F009	1	Pipe - Fuel	Tuyau Carburant	Kraftstleitung	Pipe - Fuel	
2	3763A045	1	Connection	Borne	Doppelnippel	Conector	
3	2481D456	1	Clip	Clip	Klips	Clip	
4	3661A091	1	Bracket	Bracket	Bracket	Bracket	
5	2481D559	1	Clip - Pipe	Clip - Pipe	Clip - Pipe	Clip - Pipe	
6	2487A401	1	Plug	Bouchon	Verschstopfen	Plug	
7	2646F001	1	Pipe - Fuel Feed	Ensemble Tuyauterie	Rohr Kpl.	Tube, Conj.	
8	4127A148	1	Pipe - Boost	Pipe - Boost	Pipe - Boost	Pipe - Boost	
9	#PIPE	1	Pipe	Pipe	Pipe	Pipe	Ref. 8
10	2481D657	1	Clip	Clip	Clip	Clip	
11	2481D252	2	Clip	Clip	Clip	Clip	
12	2442A126	1	Connection	Connection	Connection	Connection	
13	3346A009	1	Connection	Connection	Connection	Connection	
14	2415H009	1	O - Ring	Joint Torique	O-Ring	Junta De Tipo O	

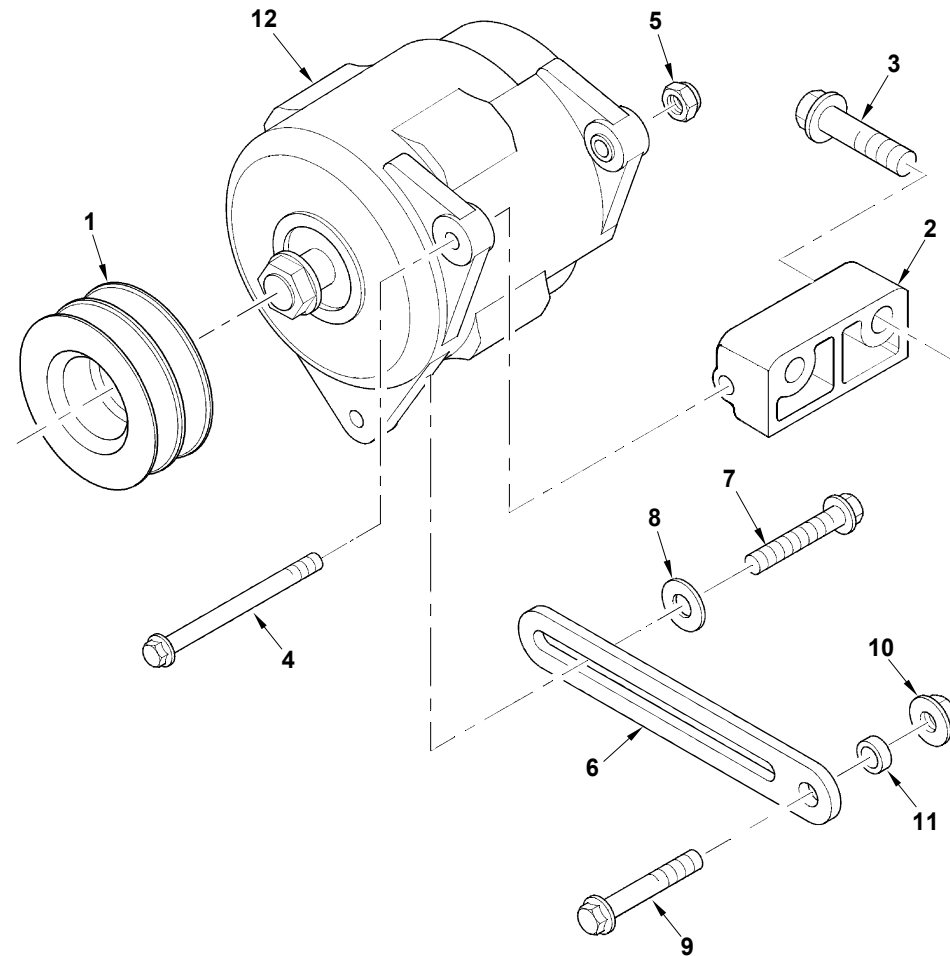
C-21015-21.1-A



Item	Part No.	Qty.	English	French	German	Spanish	Remarks
1	0650204	1	Plug	Bouchon	Stopfen	Tapon	
2	2411D013	1	Washer	Rondelle	Unterlegscheibe	Arandela	
3	0650204	1	Plug	Bouchon	Stopfen	Tapon	
4	2411D013	1	Washer	Rondelle	Unterlegscheibe	Arandela	
5	33532129	1	Nut	Ecrou	Mutter	Tuerca De Tubería	
6	0566004	1	Olive	Olive	Schneidring	Oliva	
7	33532129	1	Nut	Ecrou	Mutter	Tuerca De Tubería	
8	0566004	1	Olive	Olive	Schneidring	Oliva	
9	2656F823	1	Filter - Fuel	Filtre A Combustible	Kraftstof*Iter	Filtro De Combustible	
10	#HEAD	1	Head	Head	Head	Head	Ref. 9
11	26550005	1	Fuel/Water Separator	Filtre	Filter	Filtro	
12	#ELEMENT	1	Element	Element	Element	Element	Ref. 11
13	#O-RING	2	O-Ring	Joint Torique	O-Ring	Junta Tórica	Ref. 11
14	#O-RING	1	O-Ring	Joint Torique	O-Ring	Junta Tórica	Ref. 11
15	#O-RING	1	O-Ring	Joint Torique	O-Ring	Junta Tórica	Ref. 11
16	#O-RING	1	O-Ring	Joint Torique	O-Ring	Junta Tórica	Ref. 11
17	26560181	1	Bowl - Glass	Cuve	Wanne	Cuba	
18	26560614	1	Screw & O Ring - Fuel Filter Bowl	Bouchon	Stopfen	Tapón	
19	#PLUG	1	Plug	Plug	Plug	Plug	Ref. 18
20	26431192	1	Washer	Rondelle	Scheibe	Arandela	

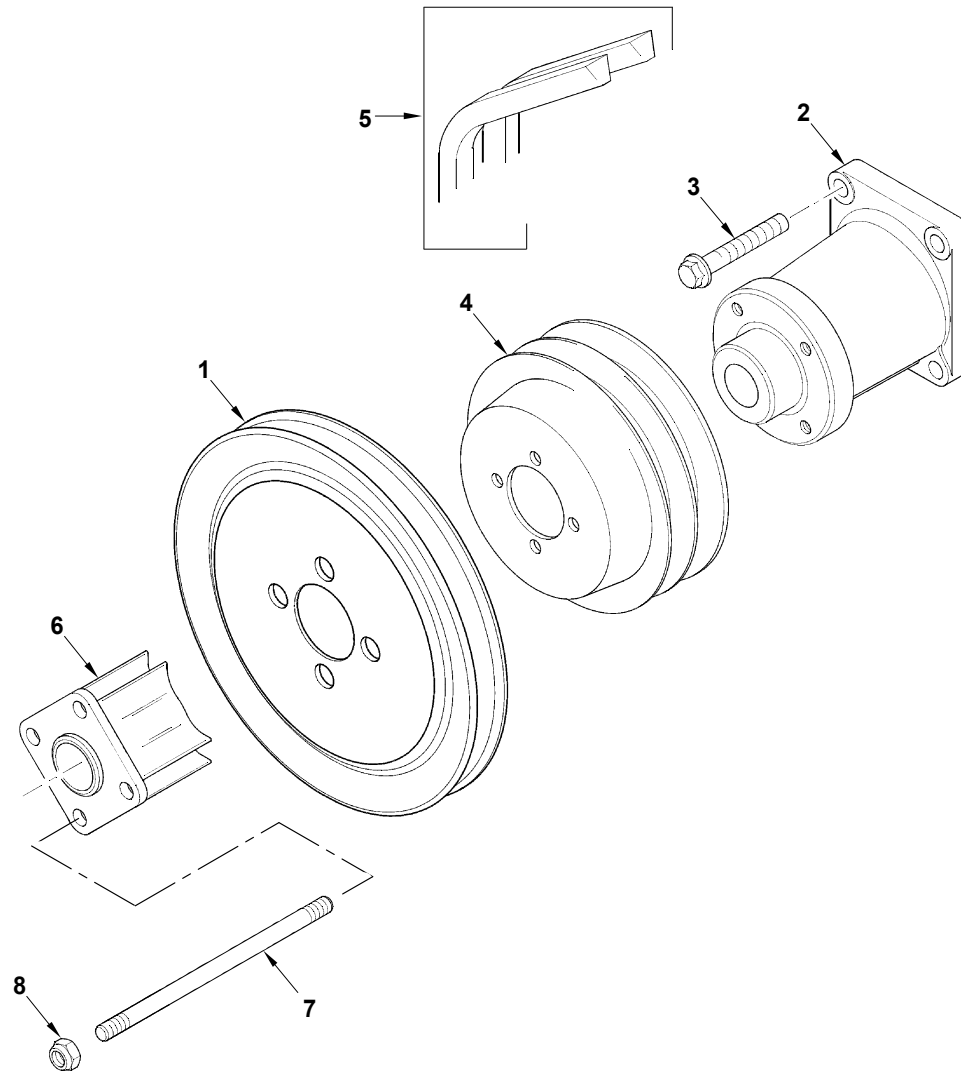


C-21015-22.1-A



Item	Part No.	Qty.	English	French	German	Spanish	Remarks
1	3115A121	1	Pulley - 2 Groove Alternator	Poulie	Riemenscheibe	Polea	
2	3824A071	1	Bracket - Alternator	Patte Fixation	Halter	Pata De Fijación	
3	2314J007	2	Screw	Vis	Schraube	Tornillo	
4	2314H022	1	Screw	Vis	Schraube	Tornillo	
5	2318D208	1	Nut	Ecrou	Mutter	Tuerca	
6	36155429	1	Bracket - Alternator Adjusting	Patte Fixation	Halter	Tirante De Ajuste	
7	2314H004	1	Screw	Vis	Schraube	Tornillo	
8	0920497	1	Washer - N1a	Rondelle	Scheibe	Arandela	
9	2314J012	1	Screw	Vis	Schraube	Tornillo	
10	2318A604	1	Nut	Ecrou	Mutter	Tuerca	
11	0920465	1	Spacer	Entretoise	Distanzstueck	Traviesa	
12	2871A304	1	Alternator Use 2871a309	Alternateur Triphase	Drehstromlichtmaschi	Alternador, Conj.	

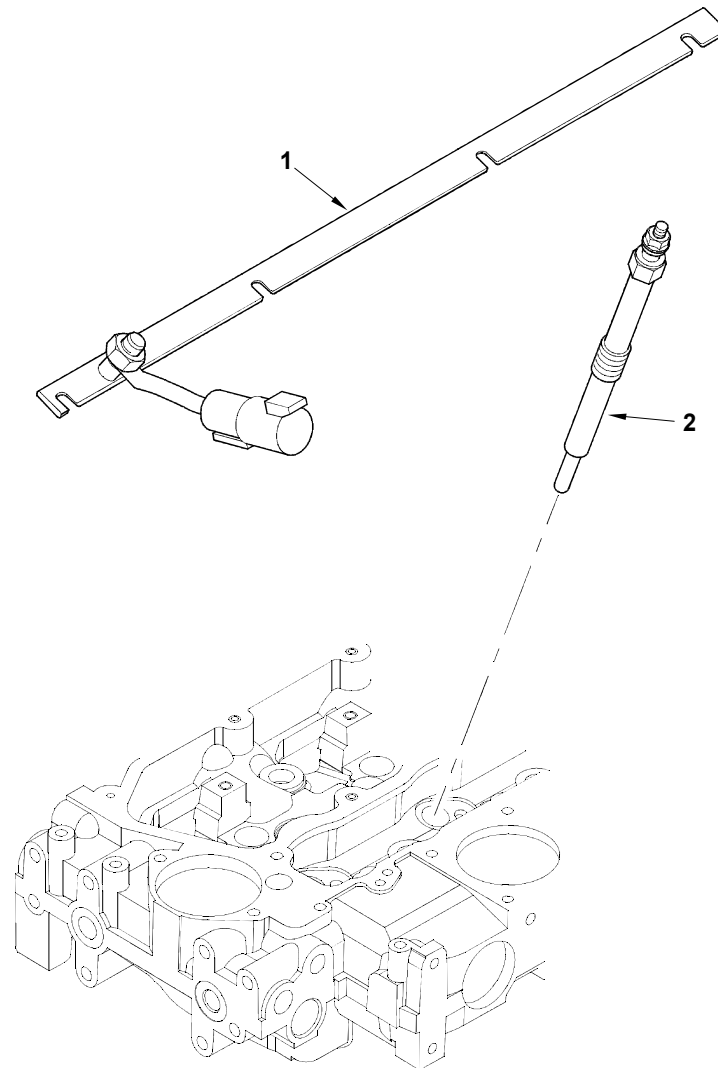
C-21015-23.1-A



Item	Part No.	Qty.	English	French	German	Spanish	Remarks
1	3114X191	1	Pulley - 1 Groove	Poulie	Riemenscheibe	Polea	
2	4113K005	1	Housing - Fan Drive	Carter	Gehäuse	Cárter, Conj.	
3	2314J005	4	Bolt	Goupille	Bolzen	Perno	
4	3115C113	1	Pulley - Fan	Poulie Ventil.	Rs, Lüfter	Polea	
5	2614B650	1	Belts - Matched Pair (2)	Courroie	Keilrülfter	Correa Trapezoidal	
6	3748W242	1	Extension	Extension	Extension	Extension	
7	2313H236	4	Stud	Stud	Stud	Stud	
8	2318D208	4	Nut	Ecrou	Mutter	Tuerca	



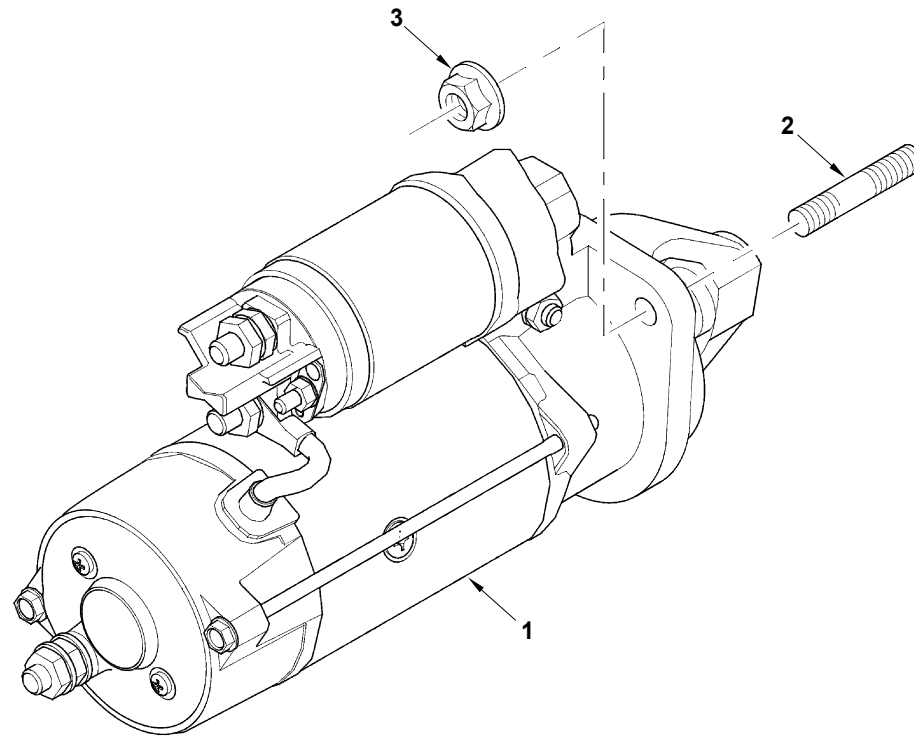
C-21015-24.1-A



Item	Part No.	Qty.	English	French	German	Spanish	Remarks
10	2666A016	4	Plug - Glow	Vis De Fermeture	Verschlusschraube	Enchufe	
20	3161C054	1	Bar	Barre	Stab	Barra	



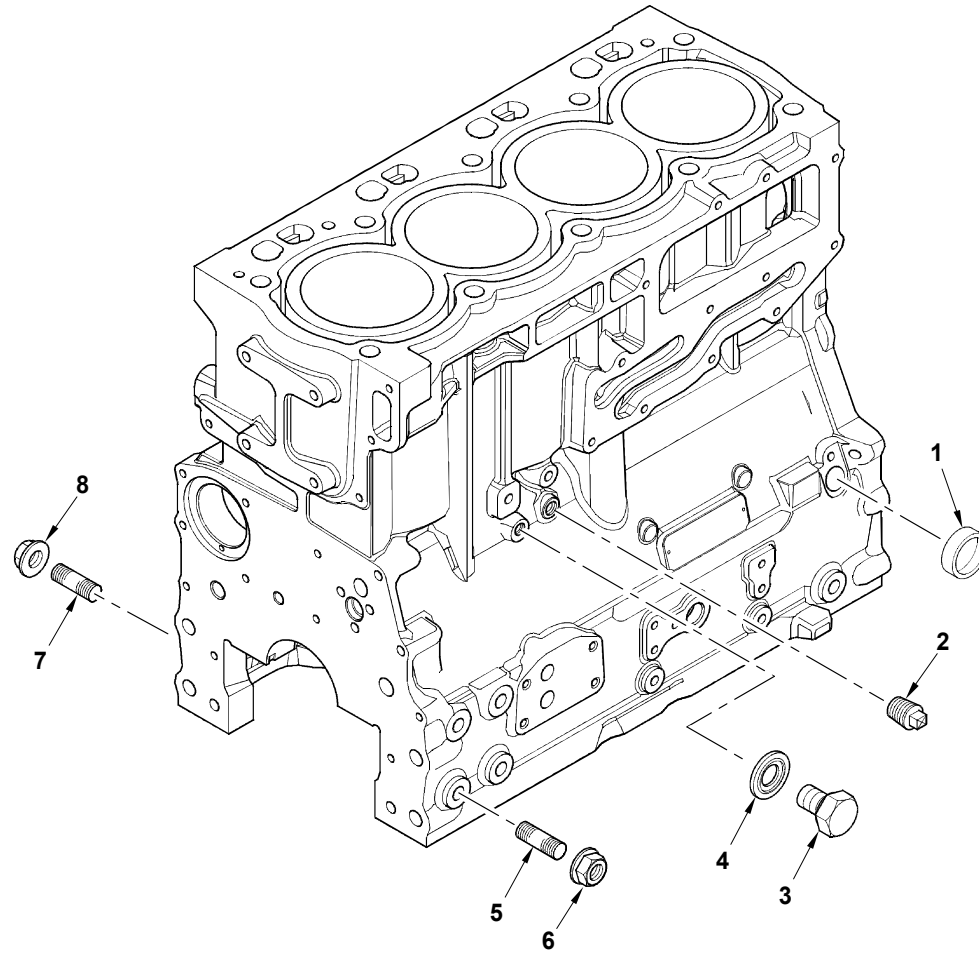
C-21015-25.1-A



Item	Part No.	Qty.	English	French	German	Spanish	Remarks
1	2873K601	1	Starter Motor	Starter Motor	Starter Motor	Starter Motor	
2	2313C078	3	Stud	Goujon	Stehbolzen	Espárrago	
3	2318A604	3	Nut	Ecrou	Mutter	Tuerca	

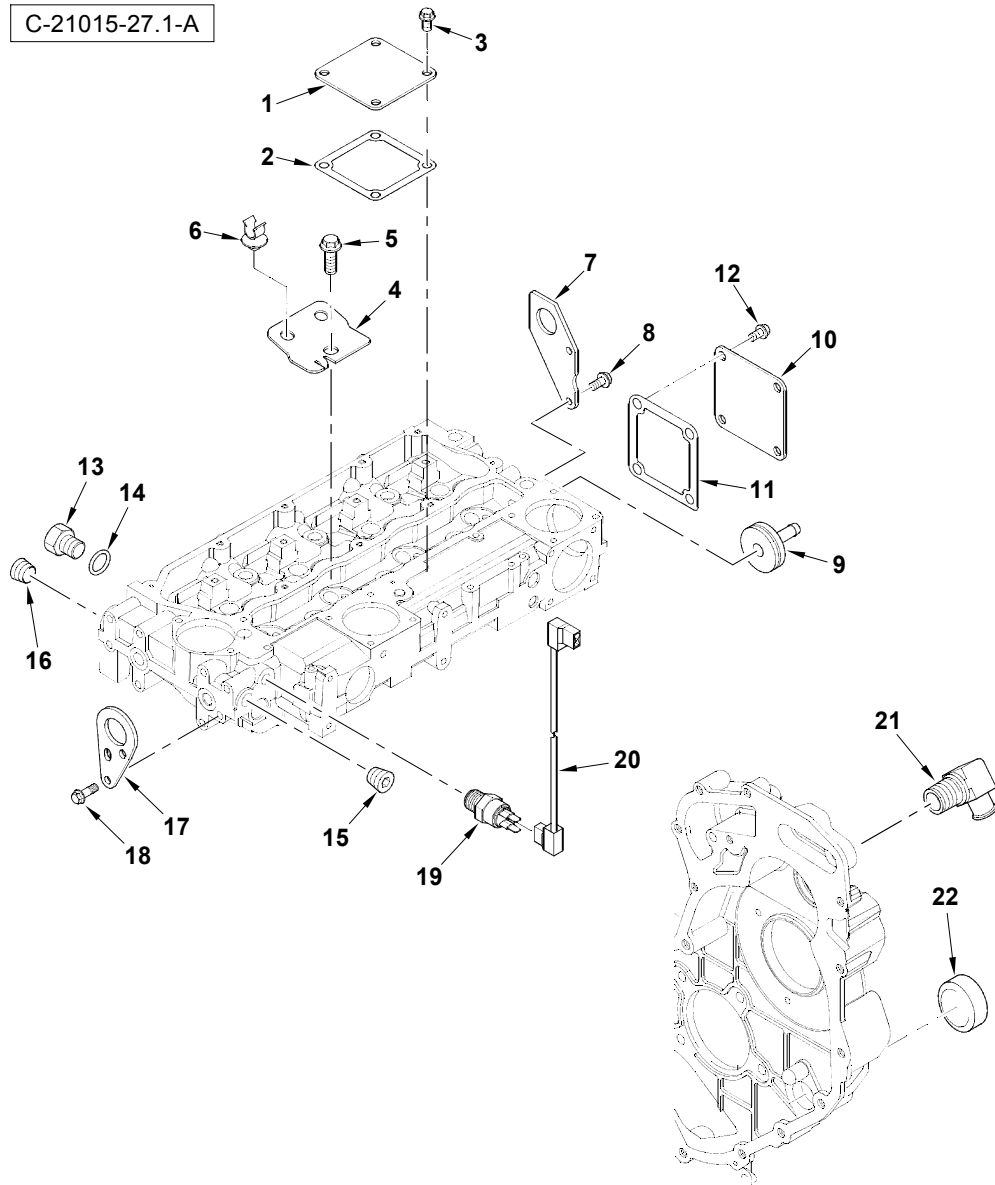


C-21015-26.1-A



Item	Part No.	Qty.	English	French	German	Spanish	Remarks
1	2485A109	1	Plug	Bouchon	Stopfen	Tapón	
2	0650594	1	Plug	Bouchon	Stopfen	Tapon	
3	2314C049	1	Screw	Vis	Schraube	Tornillo	
4	2415D053	1	Washer	Rondelle	Scheibe	Arandela	
5	2313M101	4	Eng/Mt Studs P/Kins 35mm	Goujon	Stehbolzen	Espárrago	
6	2318F605	4	Nut	Nut	Nut	Nut	
7	2313M101	4	Eng/Mt Studs P/Kins 35mm	Goujon	Stehbolzen	Espárrago	
8	2318F605	4	Nut	Nut	Nut	Nut	

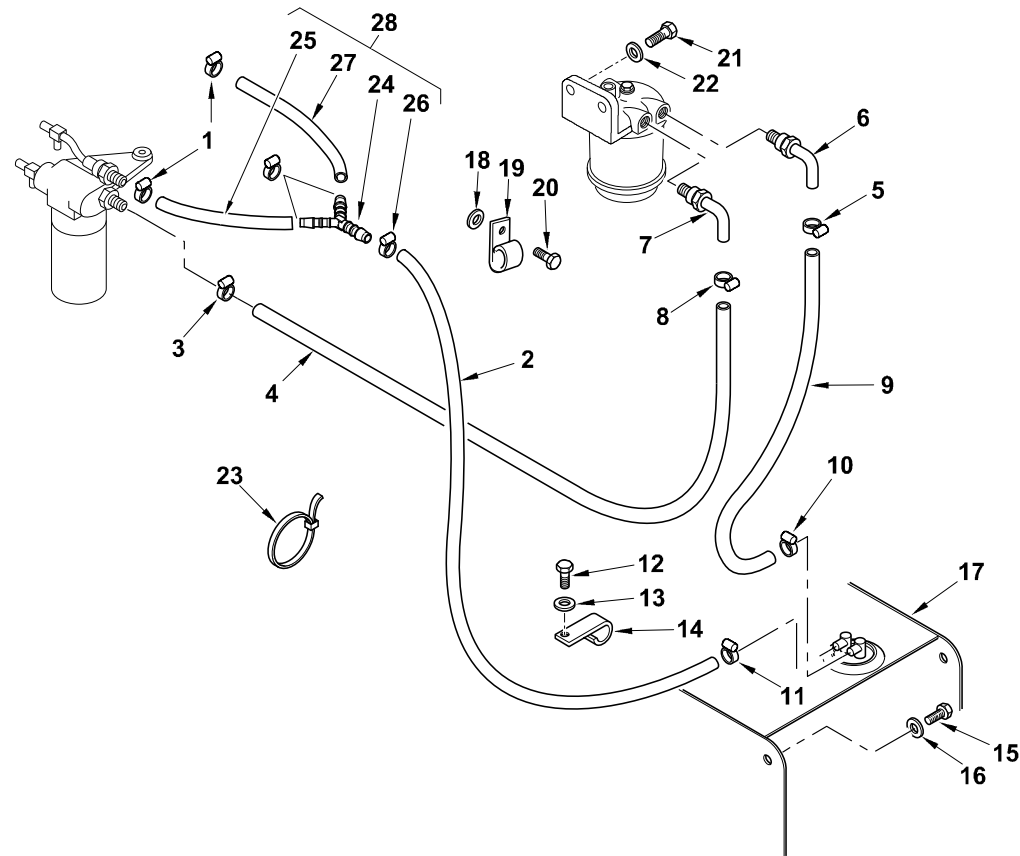




Item	Part No.	Qty.	English	French	German	Spanish	Remarks
1	3611M009	1	Plate	Plate	Plate	Plate	
2	3684N503	1	Joint	Joint Plat	Dichtung	Junta	
3	2314H002	4	Screw	Vis	Schraube	Tornillo	
4	3653A017	1	Bracket	Support Fixation	Haltearm	Bracket	
5	2314H002	1	Screw	Vis	Schraube	Tornillo	
6	2481D456	1	Clip	Clip	Klips	Clip	
7	3624A016	1	Bracket - Lifting	Patte Fixation	Halter	Anillo De Elevación	
8	2314J002	2	Screw	Vis	Schraube	Tornillo	
9	3347A023	1	Adaptor	Adaptateur	Reduziernippel	Adaptador	
10	3611M009	1	Plate	Plate	Plate	Plate	
11	3684N503	1	Joint	Joint Plat	Dichtung	Junta	
12	2314H032	4	Screw	Vis	Schraube	Tornillo	
13	3278A006	1	Plug	Bouchon	Stopfen	Tapón	
14	2415H003	1	O - Ring	Joint Torique	O-Ring	Junta De Tipo O	
15	2431154	1	Plug	Bouchon	Stopfen	Tapón	
16	2431154	1	Plug	Bouchon	Stopfen	Tapón	
17	3617A015	1	Bracket - Lifting	Patte Fixation	Halter	Anillo De Elevación	
18	2314J002	2	Screw	Vis	Schraube	Tornillo	
19	2848A123	1	Switch - Water Temperature	Switch - Water Temperature	Switch - Water Temperature	Switch - Water Temperature	
20	3161C017	1	Cable	Câble	Kabel	Cable	
21	2447375	1	Elbow	Elbow	Elbow	Elbow	
22	2485A118	1	Plug - Cup	Bouchon Mâle, Obturation	Verschlussstopfen	Tapón De Bloqueo	



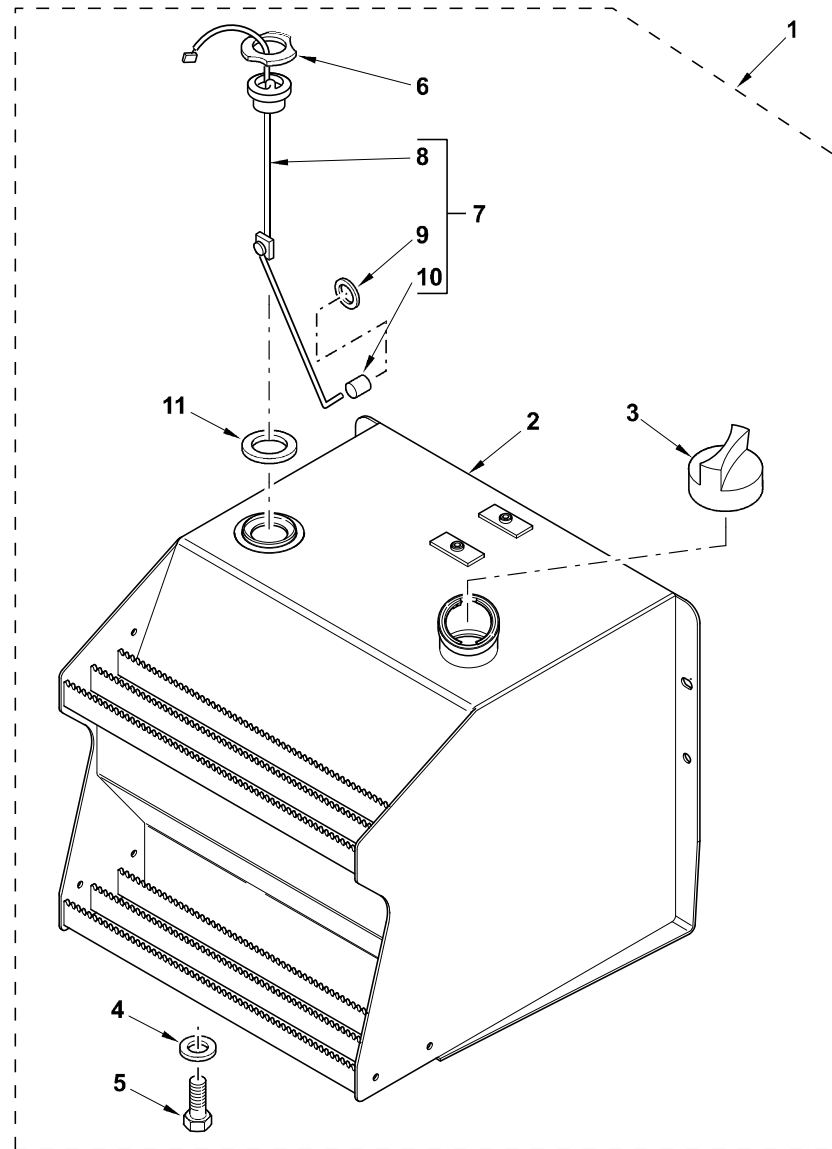
C-22005-01.1-B



Item	Part No.	Qty.	English	French	German	Spanish	Remarks
1	6013102M1	2	Clip Worm Drive Hose - 8/12	Clip	Klips	Clip	
2	6112907M1	1	Hose - Return To Tank	Flexible	Schlauch	Tubo Flexible	
3	6013102M1	1	Clip Worm Drive Hose - 8/12	Clip	Klips	Clip	
4	6110208M3	1	Hose-Fuel System X 1110	Flexible	Schlauch	Tubo Flexible	
5	6013102M1	1	Clip Worm Drive Hose - 8/12	Clip	Klips	Clip	
6	6109741M91	1	Tube Assy - Fuel System	Raccord Coude	Winkelstutzen	Codo	
7	6109741M91	1	Tube Assy - Fuel System	Raccord Coude	Winkelstutzen	Codo	
8	6013102M1	1	Clip Worm Drive Hose - 8/12	Clip	Klips	Clip	
9	6110376M2	1	Hose - 1620 Long	Flexible	Schlauch	Tubo Flexible	
10	6013102M1	1	Clip Worm Drive Hose - 8/12	Clip	Klips	Clip	
11	6013102M1	1	Clip Worm Drive Hose - 8/12	Clip	Klips	Clip	
12	339228X1	1	Bolt, Hex. - M8 X 12 (Coarse)	Boulon M8 X 12	Maschschraube M8	Tornillo	
13	390972X1	2	Washer M8-17-1 Zwel	Rondelle M8	Scheibe - M8	Arandela	
14	3522812M1	2	Clip Spring	Clip	Befestigungshalter	Brida De Fijación	
15	3009505X1	4	Hex. Bolt, M12 X 25 - Coarse	Boulon	Bolzen M12 X 25	Perno	
16	391212X1	4	Washer M12-34-3 Z	Rondelle	Scheibe	Arandela	
17	6112232M92	1	Fuel Tank	Reservoir Carb.	Krftst. Behlter	Tanque De Combust.	See 22005c02.1
18	385362X1	1	Washer, Hardened - M10	Rondelle - M10	Unterlegscheibe M10	Arandela	
19	6111362M1	1	Clip	Circlip	Schelle	Clip	
20	339282X1	1	Screw M10 X 16	Vis	Schraube	Tornillo	
21	3009492X1	2	Bolt - Hex. M10 X 25	Boulon M10 X 25	Schraube M10 X 25	Tornillo	
22	385362X1	2	Washer, Hardened - M10	Rondelle - M10	Unterlegscheibe M10	Arandela	
23	1862425M1	6	Tie 385mm T50I	Attache Cable	Kabelbinder	Enlace De Cable	
24	6112908M1	1	Adaptor 'y' - Fuel System	Adaptateur	Adapter	Adaptador	
25	6112906M1	1	Hose Return To 'y' Adaptor	Flexible	Schlauch	Tubo Flexible	
26	6013102M1	3	Clip Worm Drive Hose - 8/12	Clip	Klips	Clip	
27	6112906M1	1	Hose Return To 'y' Adaptor	Flexible	Schlauch	Tubo Flexible	
28	6114489M91	1	Hose Assy Fuel Return	Ensemble Durit	Schlauch Kpl	Con.De Manguera	



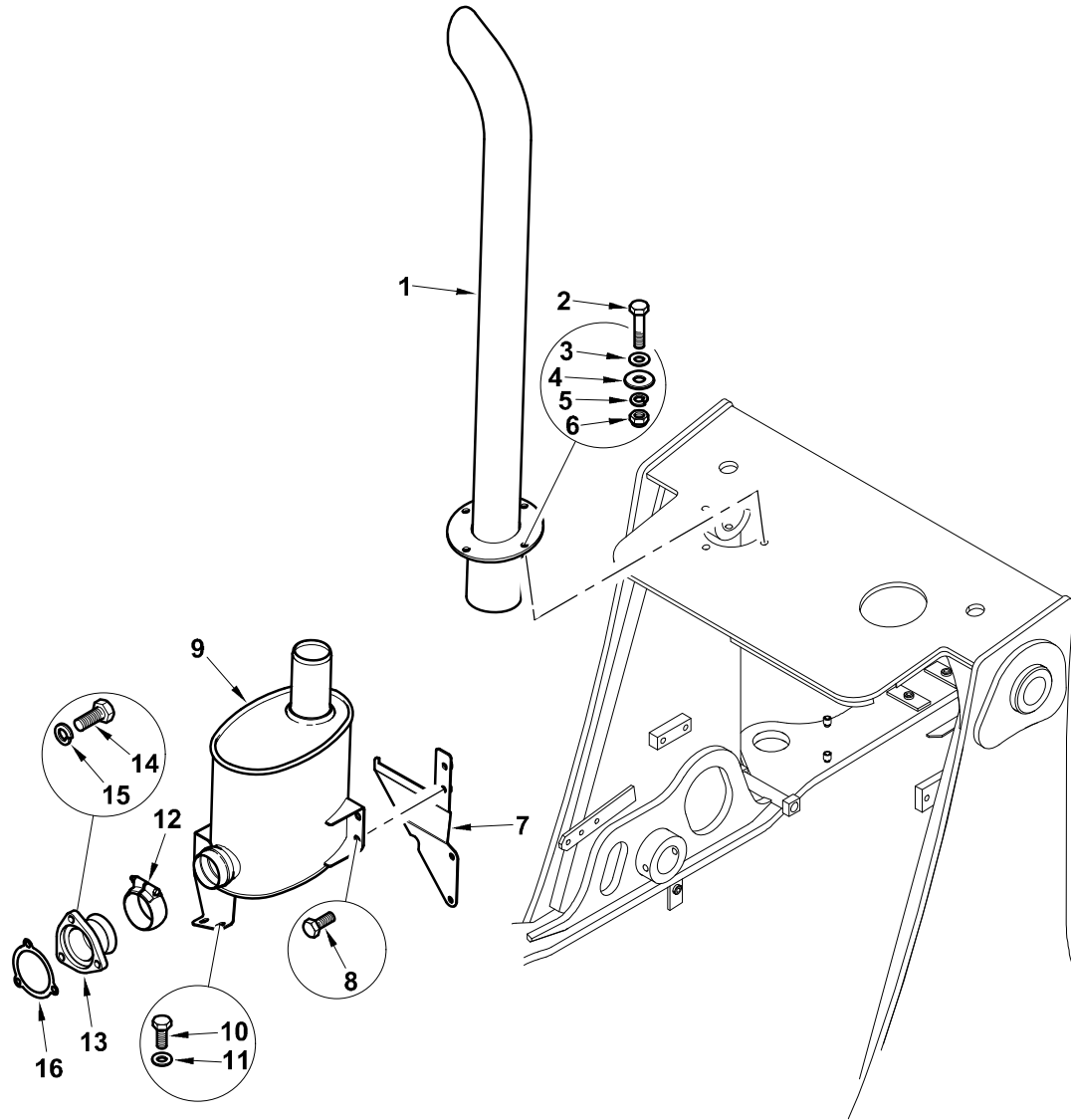
C-22005-02.1-B



Item	Part No.	Qty.	English	French	German	Spanish	Remarks
1	6112232M92	1	Fuel Tank	Reservoir Carb.	Krftst. Behlter	Tanque De Combust.	
2	#TANK, FUEL	1	Tank, Fuel	Tank, Fuel	Tank, Fuel	Tank, Fuel	Ref. 1
3	6101316M91	1	Cap, Filler - Fuel Tank, (Less Keys)	Event/Bouchon	Verschlusstopfen	Tapón De Llenado	
4	1476281X1	1	Washer, Sealing	Rondelle Joint	Stopfring	Arandela Junta	
5	376501X1	1	Plug Sealing 3/4	Bouchon De Vidange	Ablassschraube	Tapón De Drenaje	
6	1694979M1	1	Ring Locking	Joint D´Arbre	Wellendichtring	Anillo, Estanqueidad	
7	6109152M91	1	Sender Unit	Jauge De Carburant	Kraftstoffanzeige	Calibre De Combustible	
8	#GAUGE	1	Gauge	Gauge	Gauge	Gauge	Ref. 7
9	#RING	1	Ring	Anneau	Ring	Aro	Ref. 7
10	#FLOAT	1	Float	Float	Float	Float	Ref. 7
11	1694980M1	1	Seal Ring	Joint D´Arbre	Wellendichtring	Anillo, Estanqueidad	



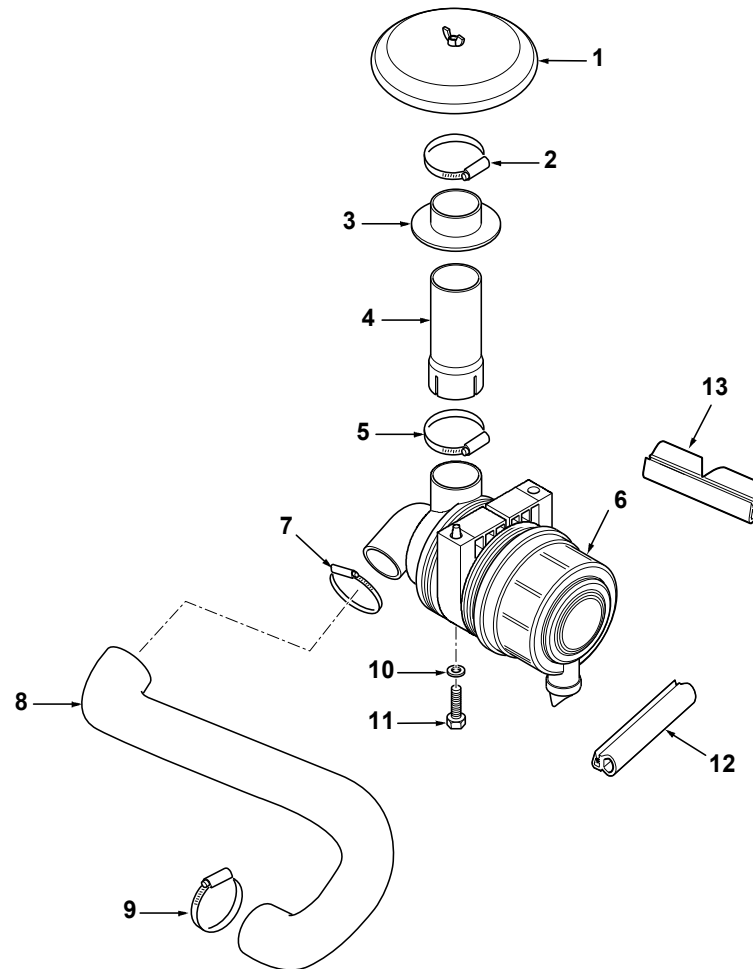
C-23011-01.1-A



Item	Part No.	Qty.	English	French	German	Spanish	Remarks
1	6111832M1	1	Stack Welded Assembly	Pot D'Échappement	Auslassrohr	Tubo De Escape	
2	339009X1	4	Bolt - M8 X 35	Boulon M8 X 35	Maschschraube M8	Tornillo	
3	385361X1	4	Washer M8 Hardened	Rondelle M8	Scheibe M8	Arandela	
4	391039X1	4	Washer M8-24-2 Z	Rondelle M8	Scheibe M8	Arandela	
5	339374X1	4	Washer M8 -21-2 Z	Rondelle Frein - M8	Federring - M8	Arandela De Freno	
6	339169X1	4	Nut, Hex. - M8, Coarse	Ecrou Métrique	Mutter Metrisch	Tuerca	
7	6111876M1	1	Bracket - Silencer	Ensemble Chaise Pali	Bremsanlage	Cuchara, Conj.	
8	339123X1	2	Bolt M8-20 Z5f	Boulon M8 X 20	Maschschraube M8	Perno	
9	6111833M1	1	Silencer	Silencieux	Schalldampfer	Silenciador	
10	339123X1	2	Bolt M8-20 Z5f	Boulon M8 X 20	Maschschraube M8	Perno	
11	385361X1	2	Washer M8 Hardened	Rondelle M8	Scheibe M8	Arandela	
12	6111878M1	1	Clamp - Exhaust	Collier De Serrage	Klemme	Argolla De Cierre	
13	6111877M1	1	Flange- Exhaust Turbo	Flasque	Flansch	Brida De Unión	
14	3009492X1	3	Bolt - Hex. M10 X 25	Boulon M10 X 25	Schraube M10 X 25	Tornillo	
15	339376X1	3	Washer M10-18-2 Zsp	Rondelle Frein	Federring	Arandela De Freno	
16	6111392M1	1	Gasket - Exhaust	Joint	Dichtscheibe	Empaquetadura	

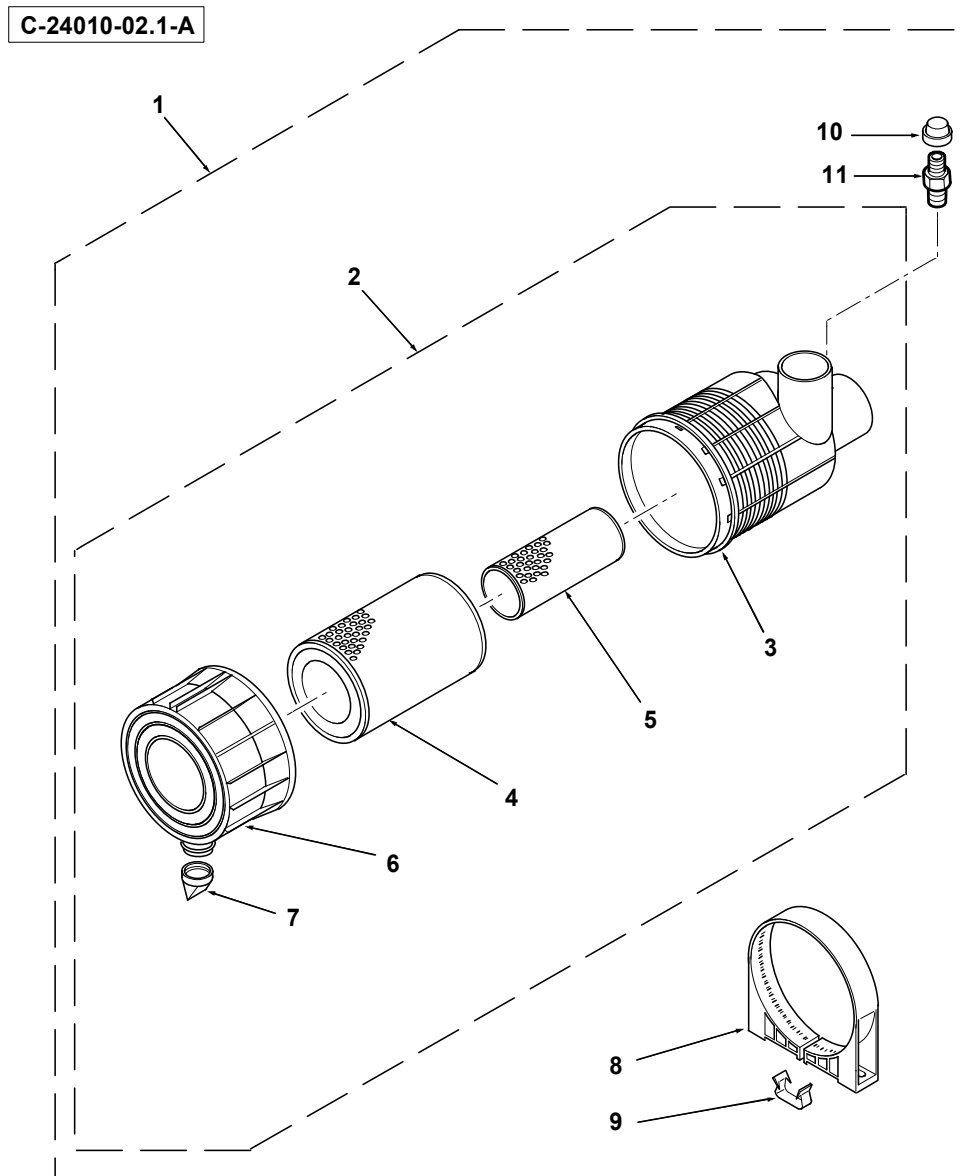


C-24010-01.1-B



Item	Part No.	Qty.	English	French	German	Spanish	Remarks
1	6003555M1	1	Raincap	Chapeau	Kappe	Sombrerete	
2	3517729M1	1	Clip-Worm-Drive	Bride Pour Tutaux	Schlauchschelle	Collar	
3	6003409M1	1	Hose-Bonnet	Joint D´Arbre	Wellendichtring	Junta	
4	6108477M1	1	Tube - Air Intake	Chambre À Air	Luftleitkanal	Cámara De Aire	
5	3517729M1	1	Clip-Worm-Drive	Bride Pour Tutaux	Schlauchschelle	Collar	
6	6107336M91	1	Air Cleaner	Filtre A Air	Luft•iter	Filtro De Aire, Conj.	24010c02.1 1
7	3517729M1	1	Clip-Worm-Drive	Bride Pour Tutaux	Schlauchschelle	Collar	
8	6110103M2	1	Hose - Turbo	Flexible	Schlauch	Tube Flexible	
9	3517415M1	1	Clip Hose 60/80	Bride Pour Tutaux	Schlauchschelle	Collar	
10	390972X1	2	Washer M8-17-1 Zwl	Rondelle M8	Scheibe - M8	Arandela	
11	339761X1	2	Bolt M8-25 Z5f	Goupille	Bolzen M8 X 25	Tornillo	
12	6110471M1	1	Rubber Seal	Joint D´Arbre	Wellendichtring	Junta	
13	6110472M1	1	Rubber Seal	Joint D´Arbre	Wellendichtring	Junta	

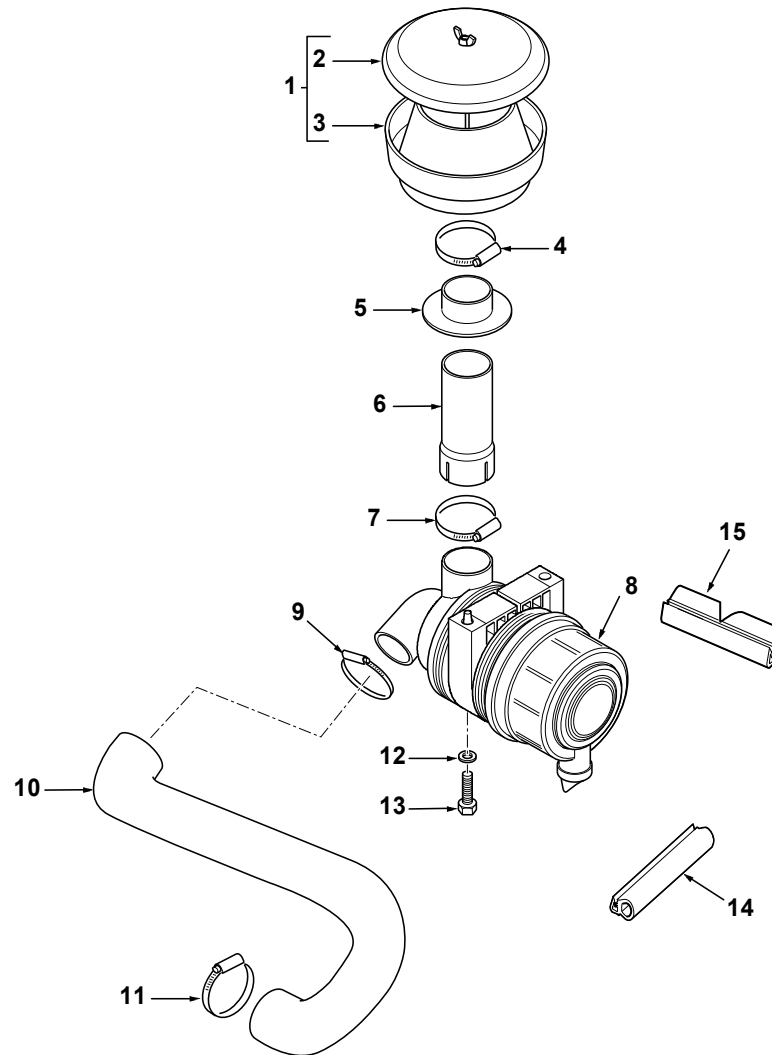




Item	Part No.	Qty.	English	French	German	Spanish	Remarks
1	6107336M91	1	Air Cleaner	Filtre A Air	Luft•lter	Filtro De Aire, Conj.	24010c01.1 6
2	6190630M92	1	Cleaner Air	Ensemble De Corps	Karosserie Kpl	Cuerpo, Conj.	
3	#BODY	1	Body	Body	Body	Body	Ref. 2
4	6190627M1	1	Element, Main Outer - Air Cleaner	Element Filt Air	Luft•ltereins	Elemento Filtrante	
5	6190628M1	1	Element - Inner Safety - Air Cleaner	Elément Filt Air	Luft•ltereins	Elemento Filtrante	
6	6190654M91	1	Cover Filter	Couvercle De Filtre	Filterdeckel	Tapa De Filtro	
7	6193599M91	1	Valve	Soupape	Ventil	Válvula	
8	6193600M1	1	Mounting Band Air Cleaner	Collier De Fixation	Befestigungsschelle	Argolla De Fijación	
9	6193609M1	2	Clip - Air Cleaner	Clip	Klips	Clip	
10	3595498M1	1	Switch - Air Restriction Indicator	Interrupteur	Schalter	Indicador	
11	6190653M1	1	Adaptor - Air Cleaner Blockage Indicator	Raccord	Verschraubung	Racor	



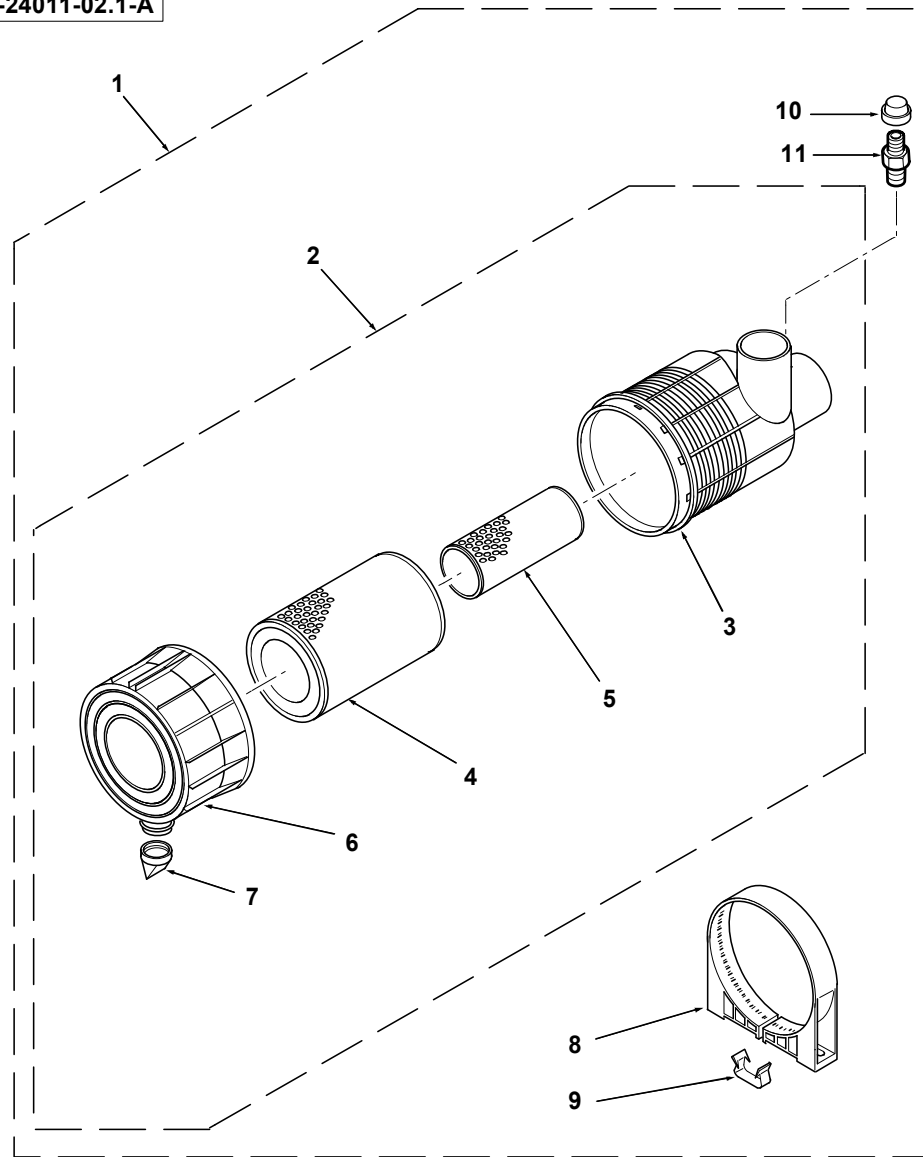
C-24011-01.1-B



Item	Part No.	Qty.	English	French	German	Spanish	Remarks
1	6100634M91	1	Pre-Cleaner Assy	Filtre À Air, Montage	Luft•lter, Kpl.	Filtro, Conj.	
2	#COVER	1	Cover	Cover	Cover	Cover	Ref. 1
3	#BOWL	1	Bowl	Bowl	Bowl	Bowl	Ref. 1
4	3517729M1	1	Clip-Worm-Drive	Bride Pour Tutaux	Schlauchschelle	Collar	
5	6003409M1	1	Hose-Bonnet	Joint D´Arbre	Wellendichtring	Junta	
6	6108477M1	1	Tube - Air Intake	Chambre À Air	Luftleitkanal	Cámara De Aire	
7	3517729M1	1	Clip-Worm-Drive	Bride Pour Tutaux	Schlauchschelle	Collar	
8	6107336M91	1	Air Cleaner	Filtre A Air	Luft•lter	Filtro De Aire, Conj.	24011c02.1 1
9	3517729M1	1	Clip-Worm-Drive	Bride Pour Tutaux	Schlauchschelle	Collar	
10	6110103M2	1	Hose - Turbo	Flexible	Schlauch	Tubo Flexible	
11	3517415M1	1	Clip Hose 60/80	Bride Pour Tutaux	Schlauchschelle	Collar	
12	390972X1	2	Washer M8-17-1 Zwl	Rondelle M8	Scheibe - M8	Arandela	
13	339761X1	2	Bolt M8-25 Z5f	Goupille	Bolzen M8 X 25	Tornillo	
14	6110471M1	1	Rubber Seal	Joint D´Arbre	Wellendichtring	Junta	
15	6110472M1	1	Rubber Seal	Joint D´Arbre	Wellendichtring	Junta	



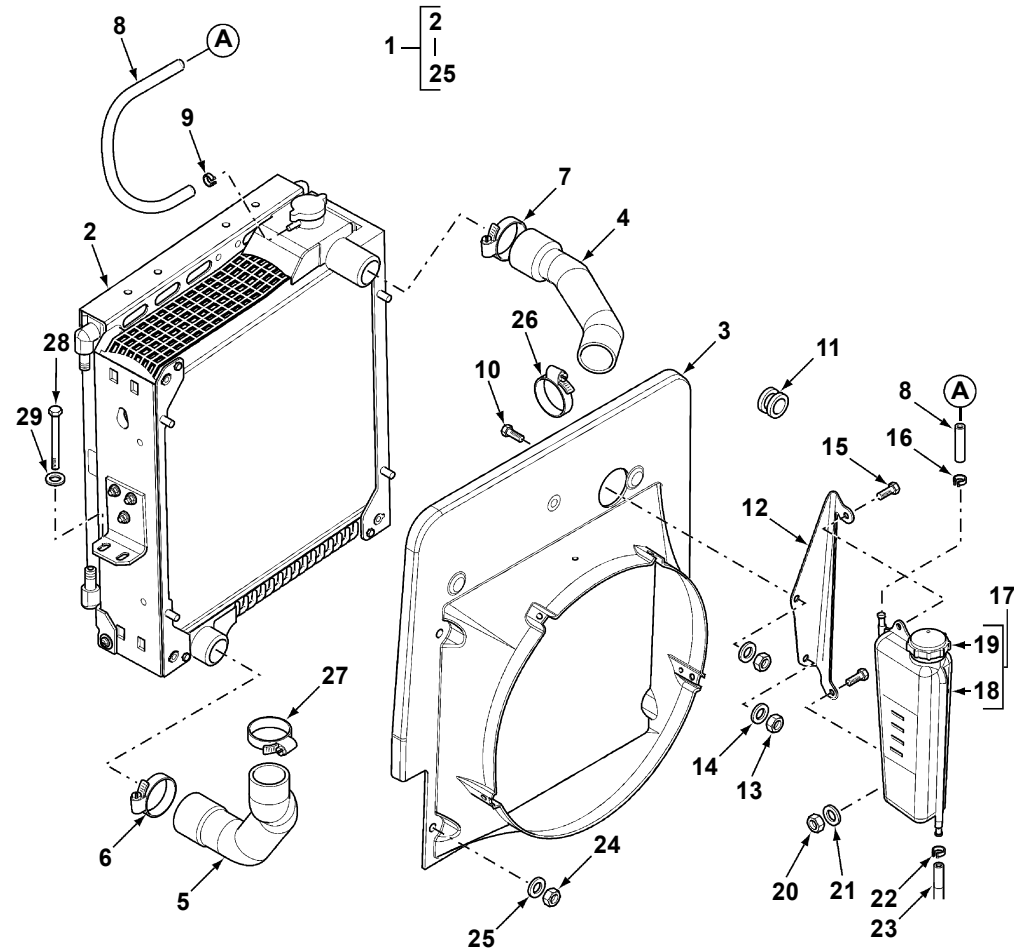
C-24011-02.1-A



Item	Part No.	Qty.	English	French	German	Spanish	Remarks
1	6107336M91	1	Air Cleaner	Filtre A Air	Luft•lter	Filtro De Aire, Conj.	24011c01.1 8
2	6190630M92	1	Cleaner Air	Ensemble De Corps	Karosserie Kpl	Cuerpo, Conj.	
3	#BODY	1	Body	Body	Body	Body	Ref. 2
4	6190627M1	1	Element, Main Outer - Air Cleaner	Element Filt Air	Luft•ltereins	Elemento Filtrante	
5	6190628M1	1	Element - Inner Safety - Air Cleaner	Elément Filt Air	Luft•ltereins	Elemento Filtrante	
6	6190654M91	1	Cover Filter	Couvercle De Filtre	Filterdeckel	Tapa De Filtro	
7	6193599M91	1	Valve	Soupape	Ventil	Válvula	
8	6193600M1	1	Mounting Band Air Cleaner	Collier De Fixation	Befestigungsschelle	Argolla De Fijación	
9	6193609M1	2	Clip - Air Cleaner	Clip	Klips	Clip	
10	3595498M1	1	Switch - Air Restriction Indicator	Interrupteur	Schalter	Indicador	
11	6190653M1	1	Adaptor - Air Cleaner Blockage Indicator	Raccord	Verschraubung	Racor	



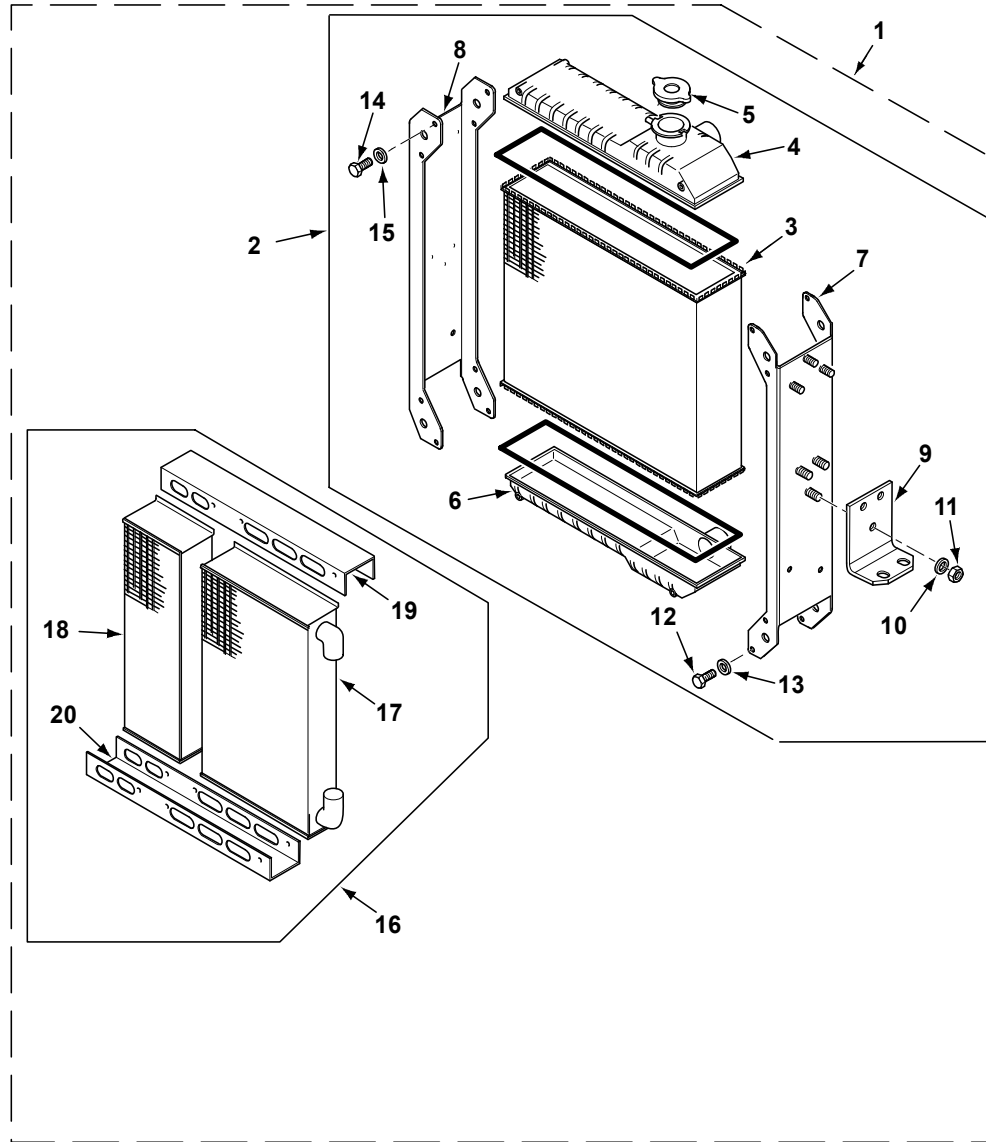
C-25010-01.1-A



Item	Part No.	Qty.	English	French	German	Spanish	Remarks
1	6110146M91	1	Cooling ROPS - High Level Assy	Ensemble De Radiateur	Motorkühler Kpl.	Radiador, Conj.	
2	6109204M91	1	Radiator/Cooler Assy W/O Aircon	Ensemble De Radiateur	Motorkühler Kpl.	Radiador, Conj.	25010c02.1 1
3	6110011M1	1	Fan Cowl	Capot	Haube	Capotaje	
4	6110104M1	1	Hose - Radiator Top	Flexible	Schlauch	Tubo Flexible	
5	6109171M1	1	Hose - Radiator Bottom	Flexible	Schlauch	Tubo Flexible	
6	3517415M1	1	Clip Hose 60/80	Bride Pour Tuyaux	Schlauchschelle	Collar	
7	3517415M1	1	Clip Hose 60/80	Bride Pour Tuyaux	Schlauchschelle	Collar	
8	6109001M1	1	Hose - Expansion Bottle	Flexible	Schlauch	Tubo Flexible	
9	6100555M1	1	Clip Pipe	Collier Pour Tuyaux	Rohrschelle	Argolla De Cierre	
10	3009492X1	1	Bolt - Hex. M10 X 25	Boulon M10 X 25	Schraube M10 X 25	Tornillo	
11	3522133M2	1	Grommet 15.9-20.6	Passe-Fil	Tülle	Pasa Cable	
12	6108999M1	1	Bracket-Expansion Bottle	Patte Fixation	Halter	Pata De Fijación	
13	1441932X1	2	Nut M10 Z5 Lock	Ecrou Blocage - M10	Flashmutter - M10	Tuerca	
14	390734X1	2	Washer M10-21-2 Z	Rondelle - M10	Unterlegscheibe	Arandela	
15	339123X1	2	Bolt M8-20 Z5f	Boulon M8 X 20	Maschschraube M8	Perno	
16	6100555M1	1	Clip Pipe	Collier Pour Tuyaux	Rohrschelle	Argolla De Cierre	
17	6109901M91	1	Bottle - Expansion	Bouteille	Flasche	Vasija De Expansión	
18	#RESERVOIR	1	Reservoir	Reservoir	Reservoir	Reservoir	Ref. 17
19	#CAP	1	Cap	Chapeau	Kappe	Tapa	Ref. 17
20	1441461X1	2	Nut M8 Z5 Lock	Ecrou	Mutter	Tuerca	
21	390972X1	2	Washer M8-17-1 Zwl	Rondelle M8	Scheibe - M8	Arandela	
22	6100555M1	1	Clip Pipe	Collier Pour Tuyaux	Rohrschelle	Argolla De Cierre	
23	6109001M2	1	Hose - Expansion Bottle	Flexible	Schlauch	Tubo Flexible	
24	1441932X1	3	Nut M10 Z5 Lock	Ecrou Blocage - M10	Flashmutter - M10	Tuerca	
25	390734X1	3	Washer M10-21-2 Z	Rondelle - M10	Unterlegscheibe	Arandela	
26	3517415M1	1	Clip Hose 60/80	Bride Pour Tuyaux	Schlauchschelle	Collar	
27	3517415M1	1	Clip Hose 60/80	Bride Pour Tuyaux	Schlauchschelle	Collar	
28	3009505X1	4	Hex. Bolt, M12 X 25 - Coarse	Boulon	Bolzen M12 X 25	Perno	
29	385363X1	4	Washer, M12 - Hardened	Rondelle M12	Scheibe M12	Arandela	



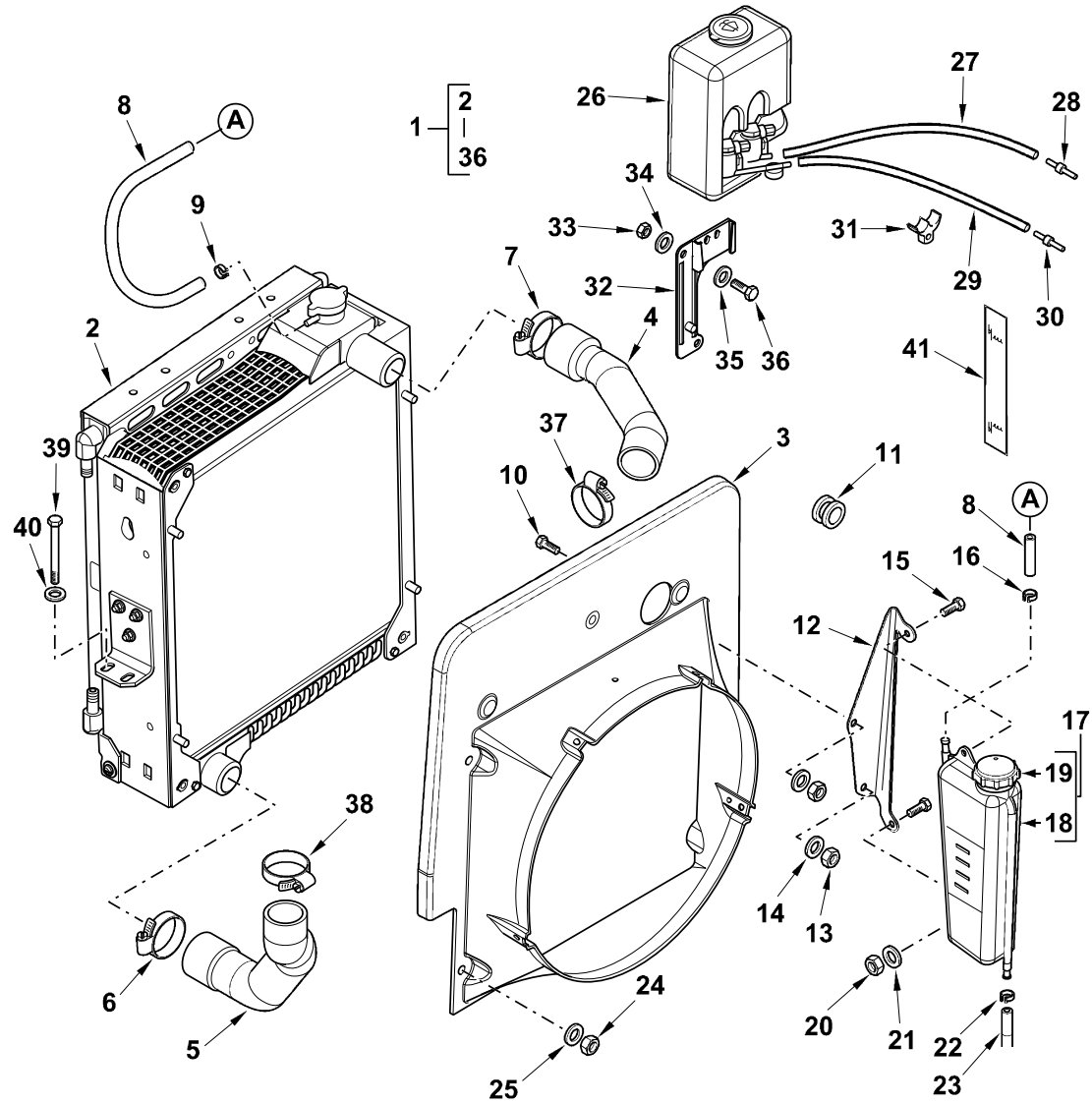
C-25010-02.1-A



Item	Part No.	Qty.	English	French	German	Spanish	Remarks
1	6109204M91	1	Radiator/Cooler Assy W/O Aircon	Ensemble De Radiateur	Motorkühler Kpl.	Radiador, Conj.	25010c01.1 2
2	6108985M91	1	Radiator Assy	Radiateur Ass.	Motorkühler Kplt	Radiador	
3	#ELEMENT	1	Element	Element	Element	Element	Ref. 2
4	#COVER	1	Cover	Cover	Cover	Cover	Ref. 2
5	6190650M1	1	Filler Cap Radiator	Bouchon Rempliss.	Einfülldeckel	Tapón De Llenado	
6	#COVER	1	Cover	Cover	Cover	Cover	Ref. 2
7	6194151M91	1	Support LH	Ensemble De Support	Haltevorrichtung Kpl.	Apoyadero, Conj.	
8	6194152M91	1	Support RH	Ensemble De Support	Haltevorrichtung Kpl.	Apoyadero, Conj.	
9	6194153M1	2	Bracket	Patte Fixation	Halter	Pata De Fijación	
10	6190793M1	6	Washer	Rondelle	Scheibe	Arandela	
11	6190792M1	6	Safety Nut	Ecrou	Mutter	Tuerca De Retención	
12	6190790M1	4	Screw	Vis	Schraube	Tornillo	
13	6190791M1	4	Washer	Rondelle	Scheibe	Arandela	
14	6190790M1	4	Screw	Vis	Schraube	Tornillo	
15	6190791M1	4	Washer	Rondelle	Scheibe	Arandela	
16	6109684M91	1	Cooler Assy	Refrroidisseur	Kühler	Aceite Conjunto Enfr.	
17	#ELEMENT	1	Element	Element	Element	Element	Ref. 16
18	#ELEMENT	1	Element	Element	Element	Element	Ref. 16
19	6194155M1	1	Support	Support	Haltevorrichtung	Soporte	
20	6194154M1	1	Support	Support	Haltevorrichtung	Soporte	



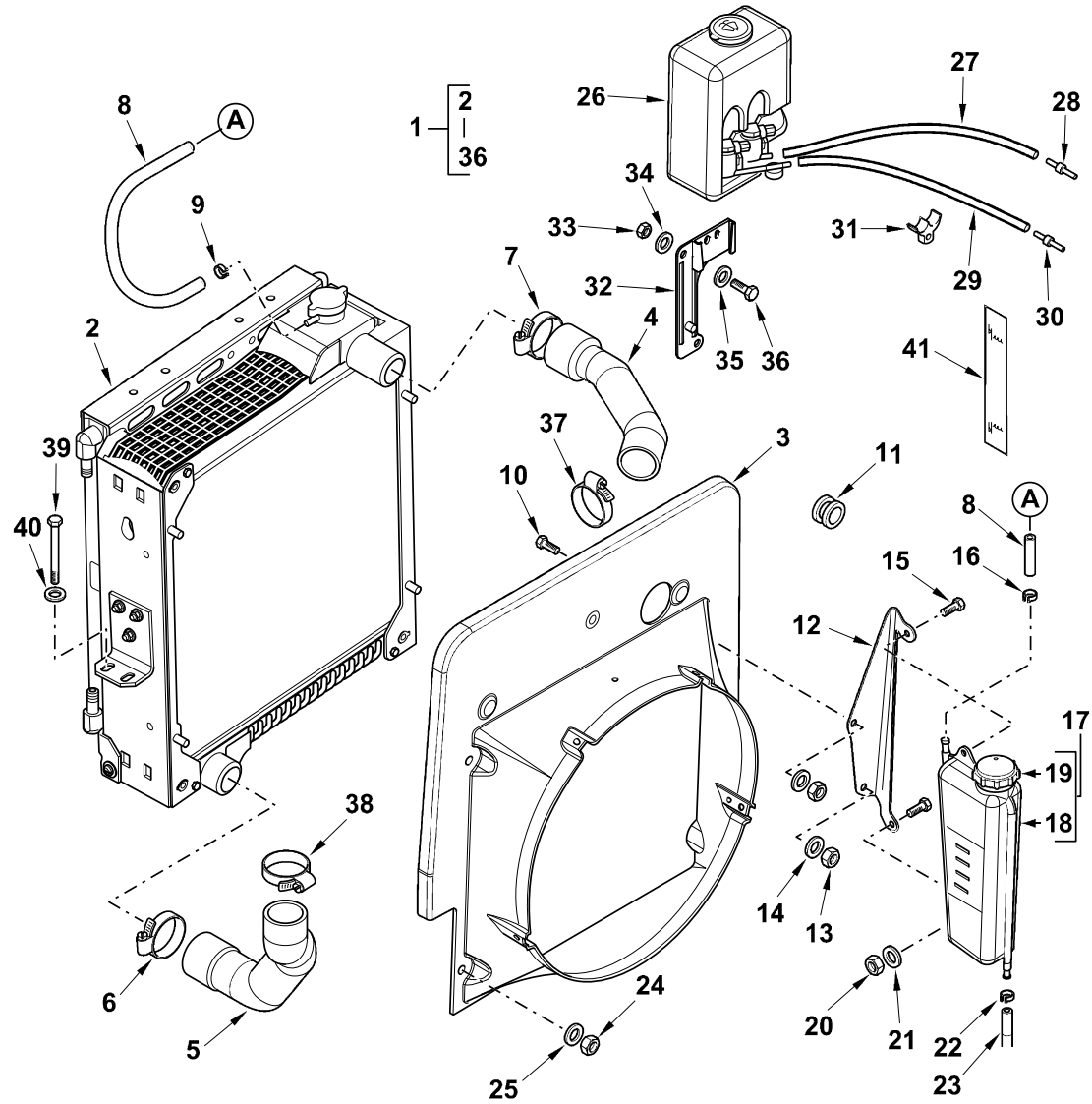
C-25011-01.1-B



Item	Part No.	Qty.	English	French	German	Spanish	Remarks
1	6110147M91	1	Cooling W/O Aircon - High Level Assy	Ensemble De Radiateur	Motorkühler Kpl.	Radiador, Conj.	
2	6109204M91	1	Radiator/Cooler Assy W/O Aircon	Ensemble De Radiateur	Motorkühler Kpl.	Radiador, Conj.	25011c02.1 1
3	6110011M1	1	Fan Cowl	Capot	Haube	Capotaje	
4	6110104M1	1	Hose - Radiator Top	Flexible	Schlauch	Tubo Flexible	
5	6109171M1	1	Hose - Radiator Bottom	Flexible	Schlauch	Tubo Flexible	
6	3517415M1	1	Clip Hose 60/80	Bride Pour Tuyaux	Schlauchschelle	Collar	
7	3517415M1	1	Clip Hose 60/80	Bride Pour Tuyaux	Schlauchschelle	Collar	
8	6109001M1	1	Hose - Expansion Bottle	Flexible	Schlauch	Tubo Flexible	
9	6100555M1	1	Clip Pipe	Collier Pour Tuyaux	Rohrschelle	Argolla De Cierre	
10	3009492X1	1	Bolt - Hex. M10 X 25	Boulon M10 X 25	Schraube M10 X 25	Tornillo	
11	3522133M2	1	Grommet 15.9-20.6	Passe-Fil	Tülle	Pasa Cable	
12	6108999M1	1	Bracket-Expansion Bottle	Patte Fixation	Halter	Pata De Fijación	
13	1441932X1	2	Nut M10 Z5 Lock	Ecrou Blocage - M10	Flashmutter - M10	Tuerca	
14	390734X1	2	Washer M10-21-2 Z	Rondelle - M10	Unterlegscheibe	Arandela	
15	339123X1	2	Bolt M8-20 Z5f	Boulon M8 X 20	Maschschraube M8	Perno	
16	6100555M1	1	Clip Pipe	Collier Pour Tuyaux	Rohrschelle	Argolla De Cierre	
17	6109901M91	1	Bottle - Expansion	Bouteille	Flasche	Vasija De Expansión	
18	#RESERVOIR	1	Reservoir	Reservoir	Reservoir	Reservoir	Ref. 17
19	#CAP	1	Cap	Chapeau	Kappe	Tapa	Ref. 17
20	1441461X1	2	Nut M8 Z5 Lock	Ecrou	Mutter	Tuerca	
21	390972X1	2	Washer M8-17-1 Zwl	Rondelle M8	Scheibe - M8	Arandela	
22	6100555M1	1	Clip Pipe	Collier Pour Tuyaux	Rohrschelle	Argolla De Cierre	
23	6109001M2	1	Hose - Expansion Bottle	Flexible	Schlauch	Tubo Flexible	
24	1441932X1	3	Nut M10 Z5 Lock	Ecrou Blocage - M10	Flashmutter - M10	Tuerca	
25	390734X1	3	Washer M10-21-2 Z	Rondelle - M10	Unterlegscheibe	Arandela	
26	6110964M91	1	Washer Bottle	Ensemble De Réservoir	Behälter Kpl.	Depósito, Conj.	
27	3516102M1	1	Tubing Water Bottle	Tube	Rohr	Tubo	
28	3516103M1	1	Connector Water Tubing	Connecteur	Steckverbindung	Conector	
29	3516102M1	1	Tubing Water Bottle	Tube	Rohr	Tubo	
30	3516103M1	1	Connector Water Tubing	Connecteur	Steckverbindung	Conector	

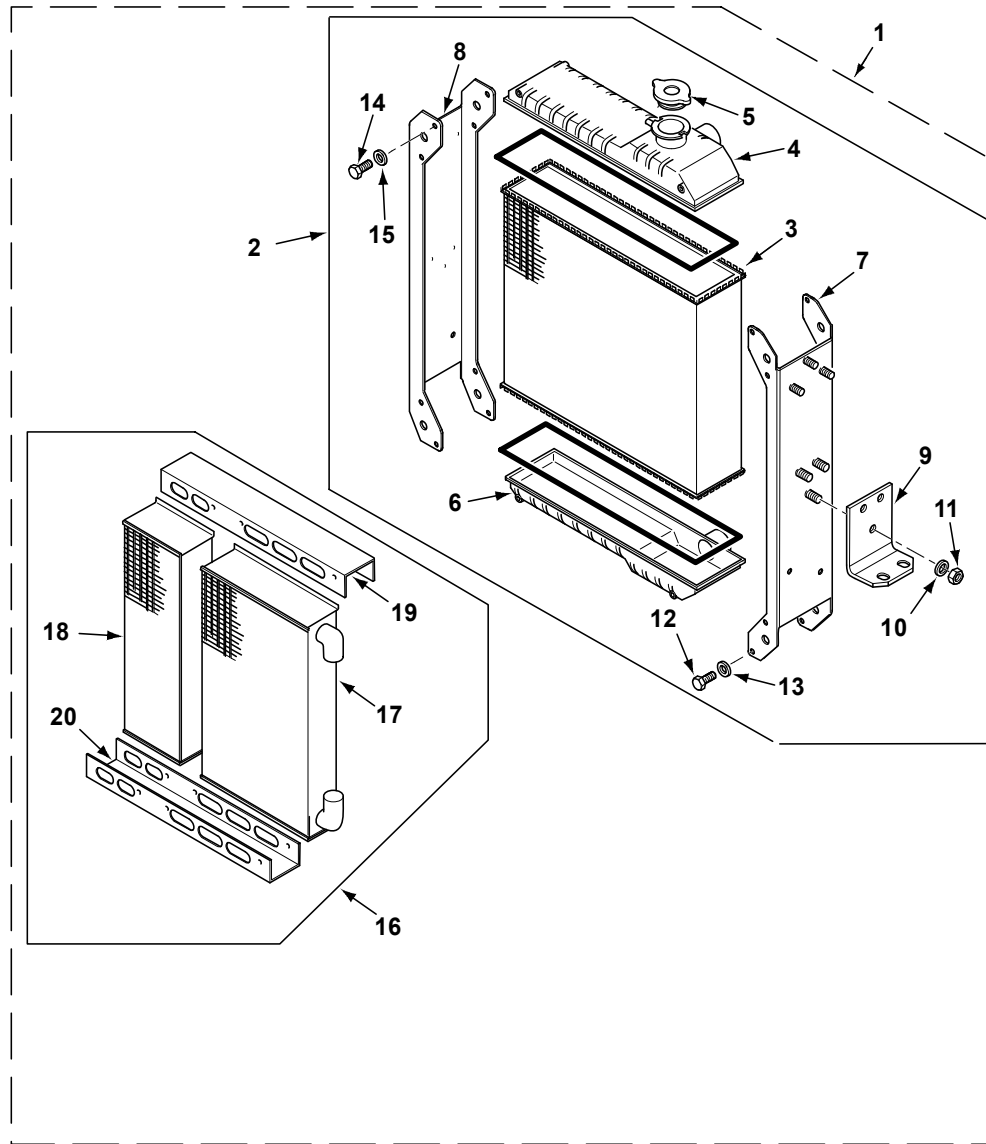


C-25011-01.1-B



Item	Part No.	Qty.	English	French	German	Spanish	Remarks
31	3520363M1	2	Clip Pipe	Clip	Klips	Clip	
32	6112240M2	1	Bracket - Washer Bottle	Support Fixation	Haltearm	Soporte De Fijación	
33	1441932X1	1	Nut M10 Z5 Lock	Ecrou Blocage - M10	Flashmutter - M10	Tuerca	
34	390734X1	1	Washer M10-21-2 Z	Rondelle - M10	Unterlegscheibe	Arandela	
35	390734X1	1	Washer M10-21-2 Z	Rondelle - M10	Unterlegscheibe	Arandela	
36	3009492X1	1	Bolt - Hex. M10 X 25	Boulon M10 X 25	Schraube M10 X 25	Tornillo	
37	3517415M1	1	Clip Hose 60/80	Bride Pour Tutaux	Schlauchschelle	Collar	
38	3517415M1	1	Clip Hose 60/80	Bride Pour Tutaux	Schlauchschelle	Collar	
39	3009505X1	4	Hex. Bolt, M12 X 25 - Coarse	Boulon	Bolzen M12 X 25	Perno	
40	385363X1	4	Washer, M12 - Hardened	Rondelle M12	Scheibe M12	Arandela	
41	6100661M1	1	Decal- Coolant Level	Decalcolmanie	Abziehbild	Placa	

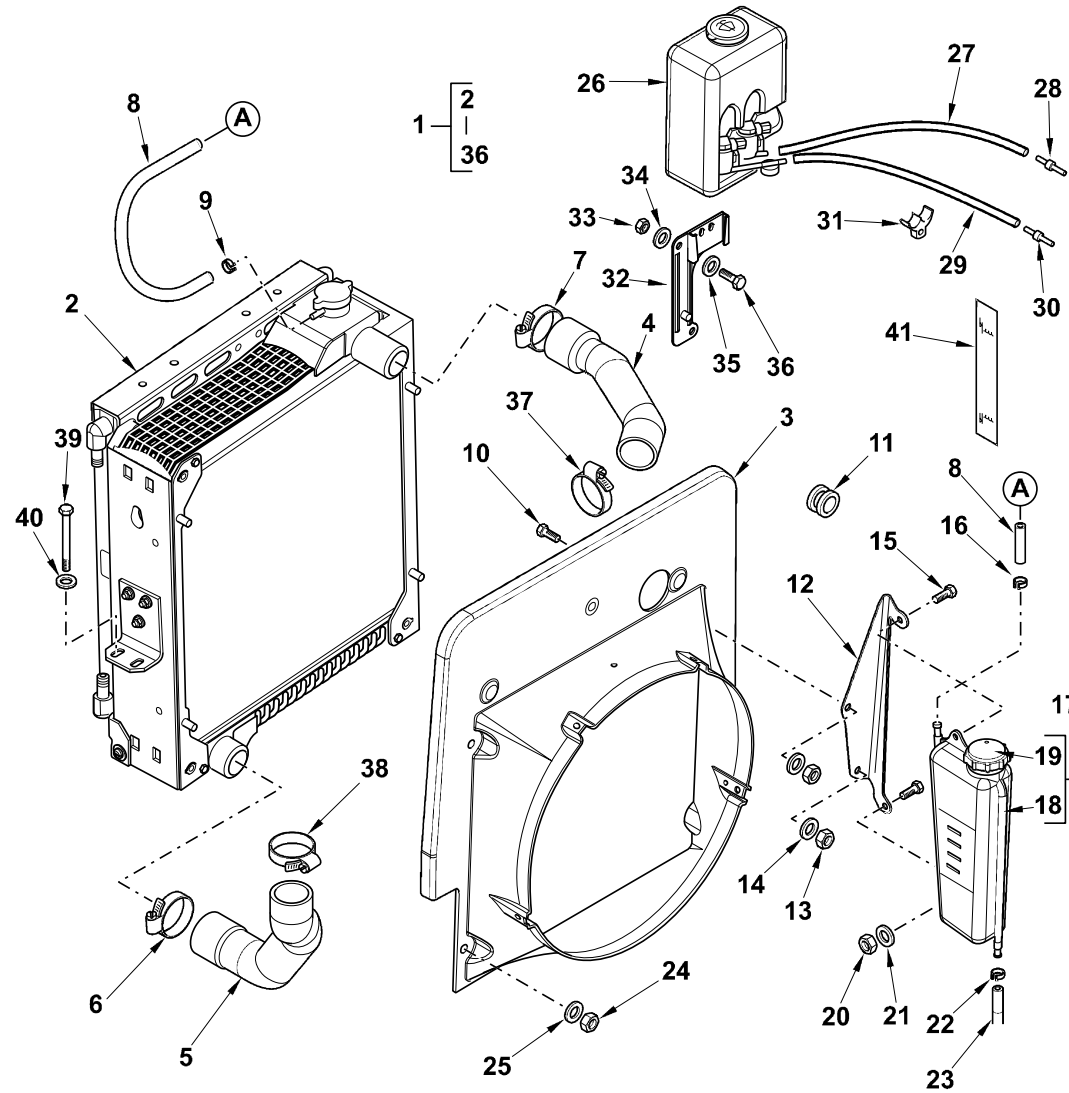
C-25011-02.1-A



Item	Part No.	Qty.	English	French	German	Spanish	Remarks
1	6109204M91	1	Radiator/Cooler Assy W/O Aircon	Ensemble De Radiateur	Motorkühler Kpl.	Radiador, Conj.	25011c01.1 2
2	6108985M91	1	Radiator Assy	Radiateur Ass.	Motorkühler Kplt	Radiador	
3	#ELEMENT	1	Element	Element	Element	Element	Ref. 2
4	#COVER	1	Cover	Cover	Cover	Cover	Ref. 2
5	6190650M1	1	Filler Cap Radiator	Bouchon Rempliss.	Einfülldeckel	Tapón De Llenado	
6	#COVER	1	Cover	Cover	Cover	Cover	Ref. 2
7	6194151M91	1	Support LH	Ensemble De Support	Haltevorrichtung Kpl.	Apoyadero, Conj.	
8	6194152M91	1	Support RH	Ensemble De Support	Haltevorrichtung Kpl.	Apoyadero, Conj.	
9	6194153M1	2	Bracket	Patte Fixation	Halter	Pata De Fijación	
10	6190793M1	6	Washer	Rondelle	Scheibe	Arandela	
11	6190792M1	6	Safety Nut	Ecrou	Mutter	Tuerca De Retención	
12	6190790M1	4	Screw	Vis	Schraube	Tornillo	
13	6190791M1	4	Washer	Rondelle	Scheibe	Arandela	
14	6190790M1	4	Screw	Vis	Schraube	Tornillo	
15	6190791M1	4	Washer	Rondelle	Scheibe	Arandela	
16	6109684M91	1	Cooler Assy	Refrroidisseur	Kühler	Aceite Conjunto Enfr.	
17	#ELEMENT	1	Element	Element	Element	Element	Ref. 16
18	#ELEMENT	1	Element	Element	Element	Element	Ref. 16
19	6194155M1	1	Support	Support	Haltevorrichtung	Soporte	
20	6194154M1	1	Support	Support	Haltevorrichtung	Soporte	



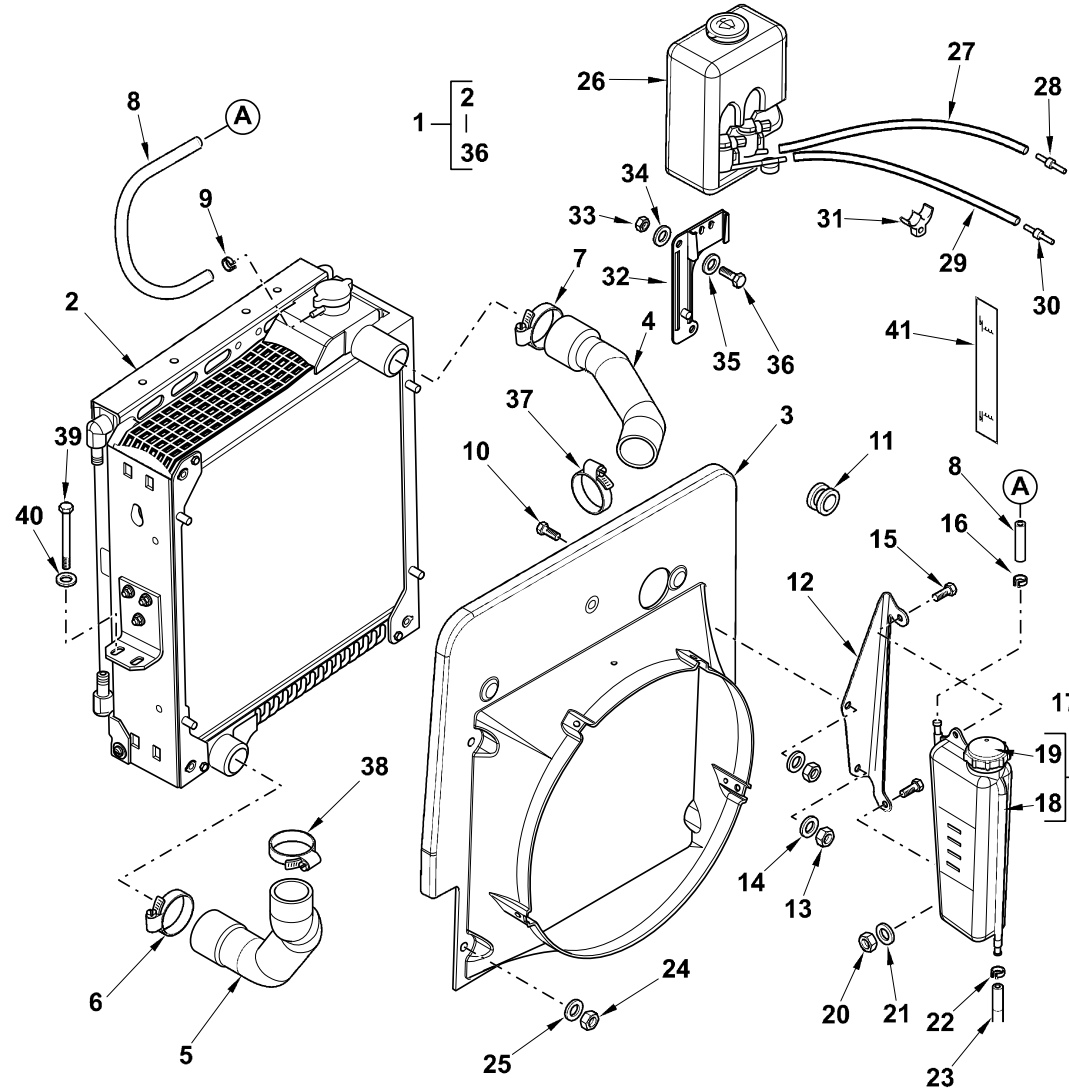
C-25012-01.1-B



Item	Part No.	Qty.	English	French	German	Spanish	Remarks
1	6110148M91	1	Cooling With Aircon High Level Assy	Ensemble De Radiateur	Motorkühler Kpl.	Radiador, Conj.	
2	6108984M91	1	Radiator/Cooler Assy With Aircon	Radiateur	Kühler	Radiador, Conj.	25012c02.1 1
3	6110011M1	1	Fan Cowl	Capot	Haube	Capotaje	
4	6110104M1	1	Hose - Radiator Top	Flexible	Schlauch	Tubo Flexible	
5	6109171M1	1	Hose - Radiator Bottom	Flexible	Schlauch	Tubo Flexible	
6	3517415M1	1	Clip Hose 60/80	Bride Pour Tutaux	Schlauchschelle	Collar	
7	3517415M1	1	Clip Hose 60/80	Bride Pour Tutaux	Schlauchschelle	Collar	
8	6109001M1	1	Hose - Expansion Bottle	Flexible	Schlauch	Tubo Flexible	
9	6100555M1	1	Clip Pipe	Collier Pour Tuyaux	Rohrschelle	Argolla De Cierre	
10	3009492X1	1	Bolt - Hex. M10 X 25	Boulon M10 X 25	Schraube M10 X 25	Tornillo	
11	3522133M2	1	Grommet 15.9-20.6	Passe-Fil	Tülle	Pasa Cable	
12	6108999M1	1	Bracket-Expansion Bottle	Patte Fixation	Halter	Pata De Fijación	
13	1441932X1	2	Nut M10 Z5 Lock	Ecrou Blocage - M10	Flashmutter - M10	Tuerca	
14	390734X1	2	Washer M10-21-2 Z	Rondelle - M10	Unterlegscheibe	Arandela	
15	339123X1	2	Bolt M8-20 Z5f	Boulon M8 X 20	Maschschraube M8	Perno	
16	6100555M1	1	Clip Pipe	Collier Pour Tuyaux	Rohrschelle	Argolla De Cierre	
17	6109901M91	1	Bottle - Expansion	Bouteille	Flasche	Vasija De Expansión	
18	#RESERVOIR	1	Reservoir	Reservoir	Reservoir	Reservoir	Ref. 17
19	#CAP	1	Cap	Chapeau	Kappe	Tapa	Ref. 17
20	1441461X1	2	Nut M8 Z5 Lock	Ecrou	Mutter	Tuerca	
21	390972X1	2	Washer M8-17-1 Zwl	Rondelle M8	Scheibe - M8	Arandela	
22	6100555M1	1	Clip Pipe	Collier Pour Tuyaux	Rohrschelle	Argolla De Cierre	
23	6109001M2	1	Hose - Expansion Bottle	Flexible	Schlauch	Tubo Flexible	
24	1441932X1	3	Nut M10 Z5 Lock	Ecrou Blocage - M10	Flashmutter - M10	Tuerca	
25	390734X1	3	Washer M10-21-2 Z	Rondelle - M10	Unterlegscheibe	Arandela	
26	6110964M91	1	Washer Bottle	Ensemble De Réservoir	Behälter Kpl.	Depósito, Conj.	
27	3516102M1	1	Tubing Water Bottle	Tube	Rohr	Tubo	
28	3516103M1	1	Connector Water Tubing	Connecteur	Steckverbindung	Conector	
29	3516102M1	1	Tubing Water Bottle	Tube	Rohr	Tubo	
30	3516103M1	1	Connector Water Tubing	Connecteur	Steckverbindung	Conector	



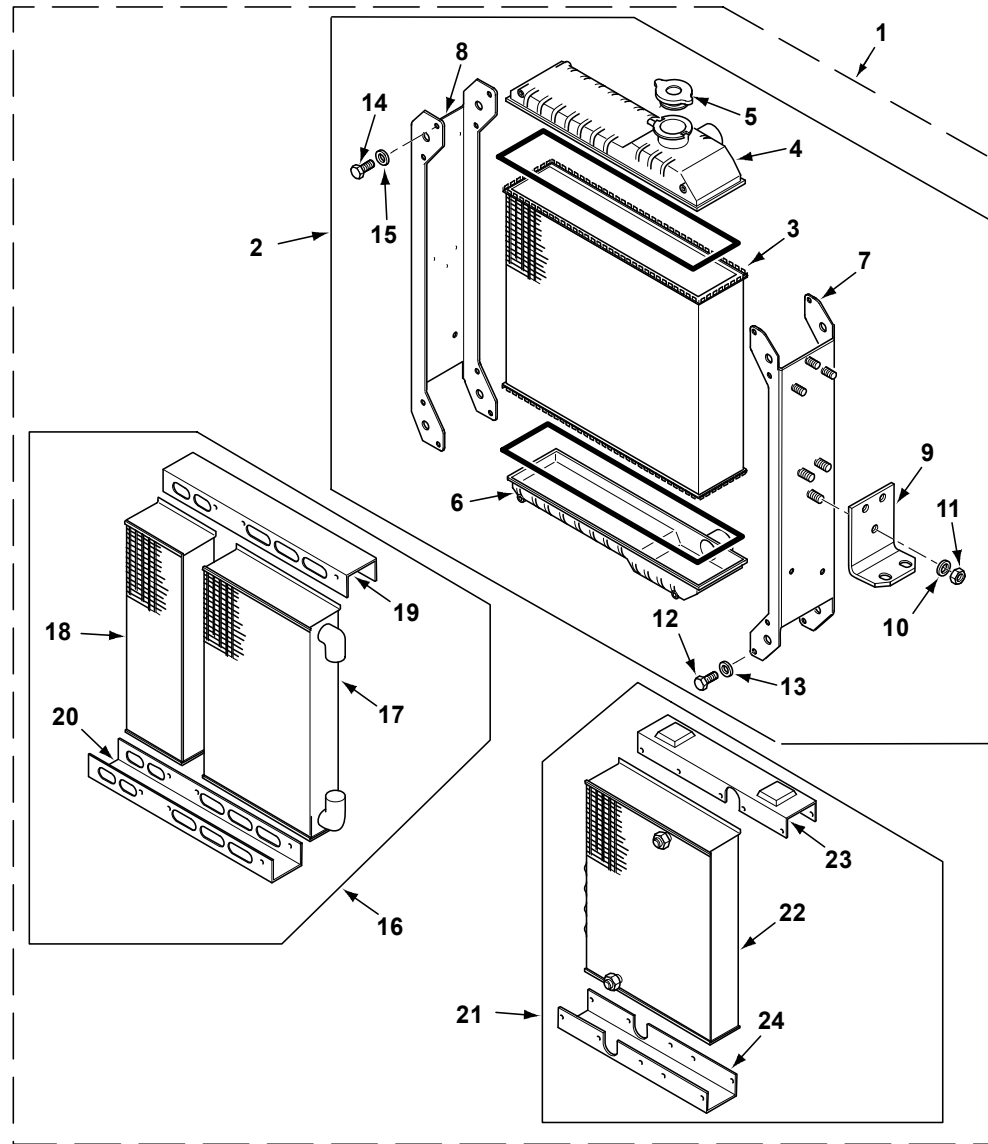
C-25012-01.1-B



Item	Part No.	Qty.	English	French	German	Spanish	Remarks
31	3520363M1	2	Clip Pipe	Clip	Klips	Clip	
32	6112240M2	1	Bracket - Washer Bottle	Support Fixation	Haltearm	Soporte De Fijación	
33	1441932X1	1	Nut M10 Z5 Lock	Ecrou Blocage - M10	Flashmutter - M10	Tuerca	
34	390734X1	1	Washer M10-21-2 Z	Rondelle - M10	Unterlegscheibe	Arandela	
35	390734X1	1	Washer M10-21-2 Z	Rondelle - M10	Unterlegscheibe	Arandela	
36	3009492X1	1	Bolt - Hex. M10 X 25	Boulon M10 X 25	Schraube M10 X 25	Tornillo	
37	3517415M1	1	Clip Hose 60/80	Bride Pour Tutaux	Schlauchschelle	Collar	
38	3517415M1	1	Clip Hose 60/80	Bride Pour Tutaux	Schlauchschelle	Collar	
39	3009505X1	4	Hex. Bolt, M12 X 25 - Coarse	Boulon	Bolzen M12 X 25	Perno	
40	385363X1	4	Washer, M12 - Hardened	Rondelle M12	Scheibe M12	Arandela	
41	6100661M1	1	Decal- Coolant Level	Decalcolmanie	Abziehbild	Placa	



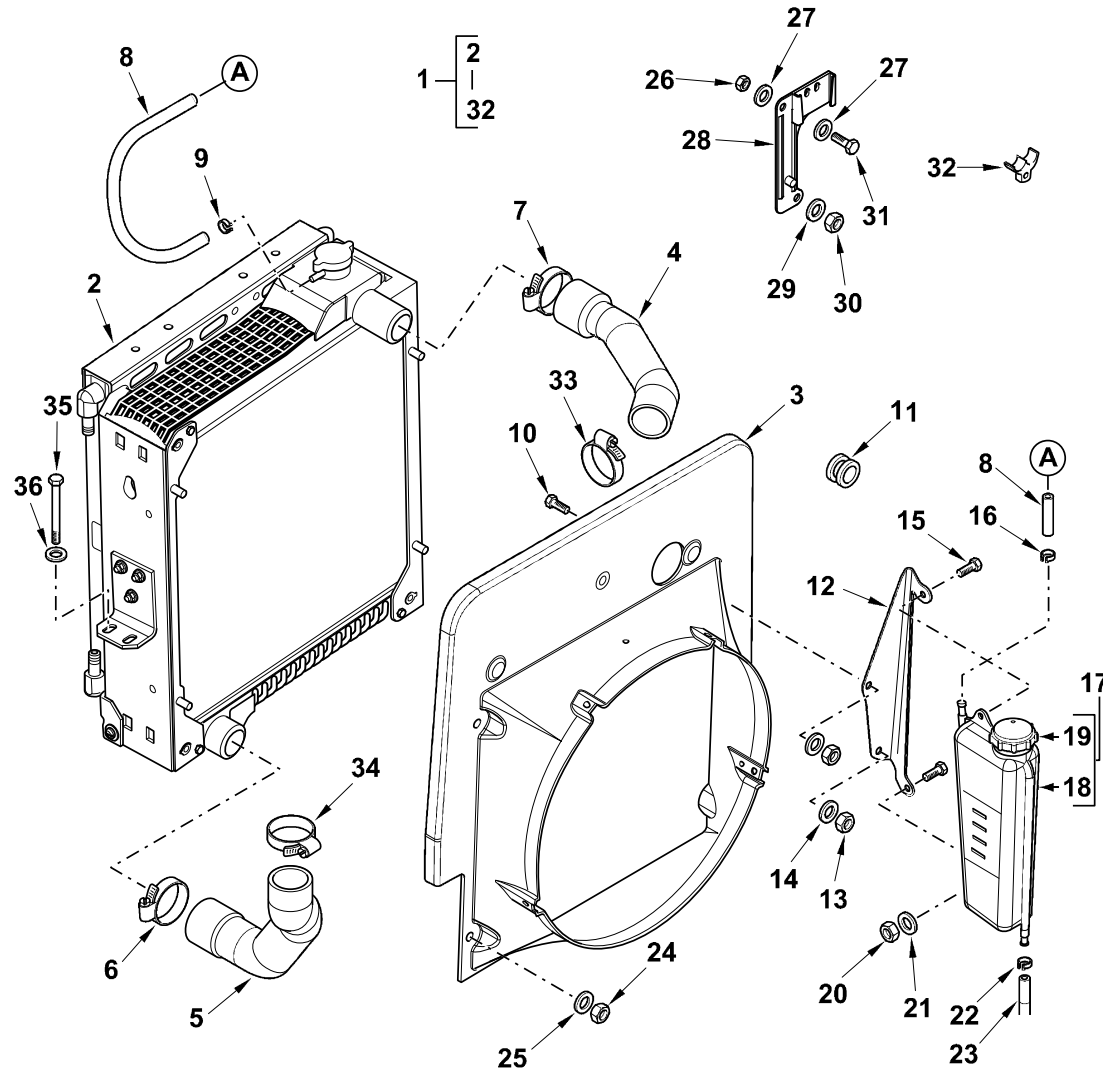
C-25012-02.1-A



Item	Part No.	Qty.	English	French	German	Spanish	Remarks
1	6108984M91	1	Radiator/Cooler Assy With Aircon	Radiateur	Kühler	Radiador, Conj.	25012c01.1 2
2	6108985M91	1	Radiator Assy	Radiateur Ass.	Motorkühler Kplt	Radiador	
3	#ELEMENT	1	Element	Element	Element	Element	Ref. 2
4	#COVER	1	Cover	Cover	Cover	Cover	Ref. 2
5	6190650M1	1	Filler Cap Radiator	Bouchon Rempliss.	Einfülldeckel	Tapón De Llenado	
6	#COVER	1	Cover	Cover	Cover	Cover	Ref. 2
7	6194151M91	1	Support LH	Ensemble De Support	Haltevorrichtung Kpl.	Apoyadero, Conj.	
8	6194152M91	1	Support RH	Ensemble De Support	Haltevorrichtung Kpl.	Apoyadero, Conj.	
9	6194153M1	2	Bracket	Patte Fixation	Halter	Pata De Fijación	
10	6190793M1	6	Washer	Rondelle	Scheibe	Arandela	
11	6190792M1	6	Safety Nut	Ecrou	Mutter	Tuerca De Retención	
12	6190790M1	4	Screw	Vis	Schraube	Tornillo	
13	6190791M1	4	Washer	Rondelle	Scheibe	Arandela	
14	6190790M1	4	Screw	Vis	Schraube	Tornillo	
15	6190791M1	4	Washer	Rondelle	Scheibe	Arandela	
16	6109684M91	1	Cooler Assy	Refrroidisseur	Kühler	Aceite Conjunto Enfr.	
17	#ELEMENT	1	Element	Element	Element	Element	Ref. 16
18	#ELEMENT	1	Element	Element	Element	Element	Ref. 16
19	6194155M1	1	Support	Support	Haltevorrichtung	Soporte	
20	6194154M1	1	Support	Support	Haltevorrichtung	Soporte	
21	6193305M91	1	Condenser Assy	Condenseur	Verdichter	Condensador, Conj.	
22	6193306M91	1	Condenser	Condenseur	Verdichter	Condensador	
23	6193307M91	1	Channel Condenser	Ensemble De Support	Haltevorrichtung Kpl.	Apoyadero, Conj.	
24	6193307M91	1	Channel Condenser	Ensemble De Support	Haltevorrichtung Kpl.	Apoyadero, Conj.	



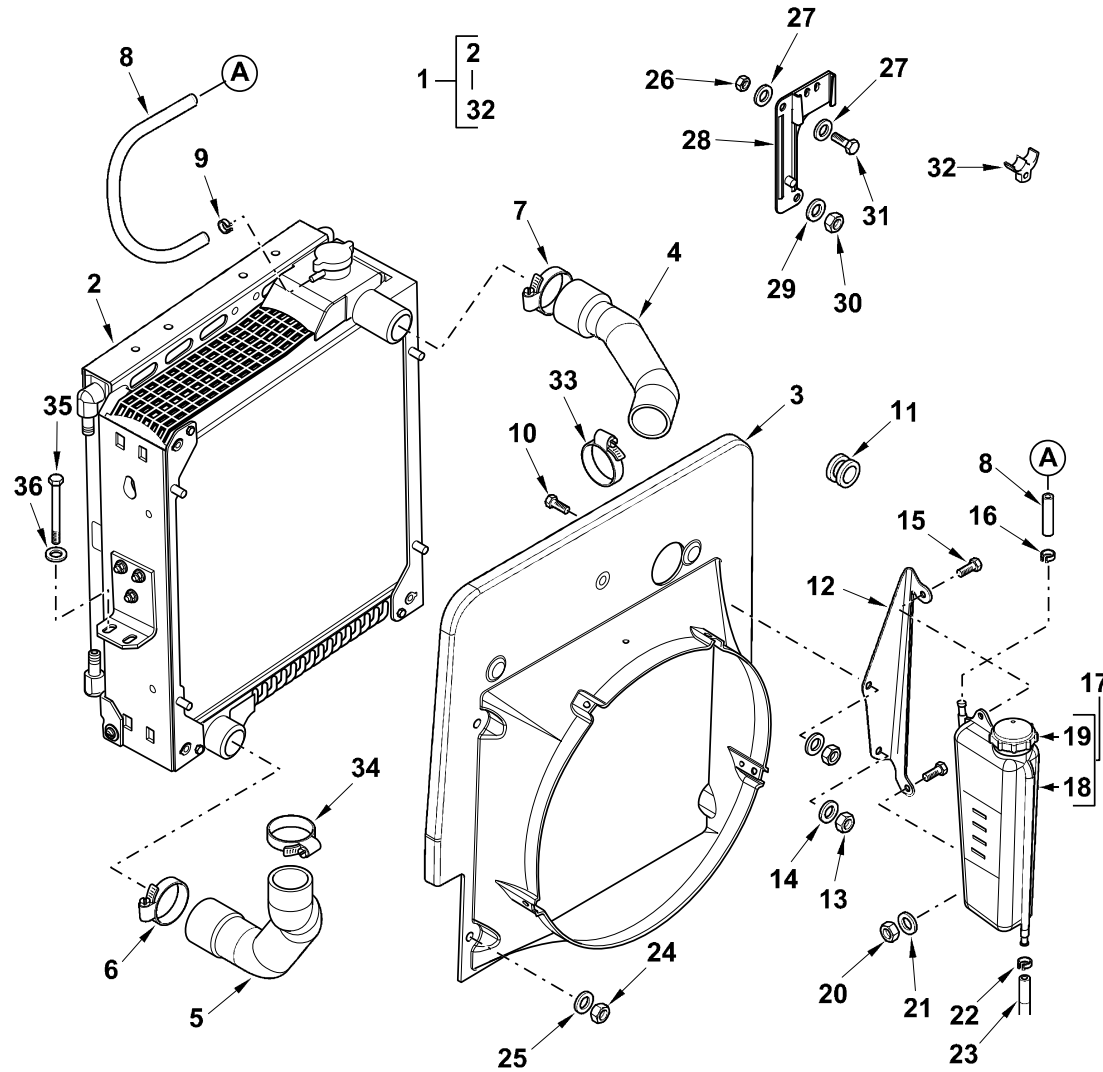
C-25013-01.1-B



Item	Part No.	Qty.	English	French	German	Spanish	Remarks
1	6112448M91	1	Cooling - Hla (Radiator Assembly)	Ensemble De Radiateur	Motorkühler Kpl.	Radiador, Conj.	
2	6109204M91	1	Radiator/Cooler Assy W/O Aircon	Ensemble De Radiateur	Motorkühler Kpl.	Radiador, Conj.	25013c02.1 1
3	6110011M1	1	Fan Cowl	Capot	Haube	Capotaje	
4	6110104M1	1	Hose - Radiator Top	Flexible	Schlauch	Tubo Flexible	
5	6109171M1	1	Hose - Radiator Bottom	Flexible	Schlauch	Tubo Flexible	
6	3517415M1	1	Clip Hose 60/80	Bride Pour Tutaux	Schlauchschelle	Collar	
7	3517415M1	1	Clip Hose 60/80	Bride Pour Tutaux	Schlauchschelle	Collar	
8	6109001M1	1	Hose - Expansion Bottle	Flexible	Schlauch	Tubo Flexible	
9	6100555M1	1	Clip Pipe	Collier Pour Tuyaux	Rohrschelle	Argolla De Cierre	
10	3009493X1	1	Bolt M10-30 Z5c	Boulon M10 X 30	Maschschraube M10	Perno	
11	3522133M2	1	Grommet 15.9-20.6	Passe-Fil	Tülle	Pasa Cable	
12	6108999M1	1	Bracket-Expansion Bottle	Patte Fixation	Halter	Pata De Fijación	
13	1441932X1	2	Nut M10 Z5 Lock	Ecrou Blocage - M10	Flashmutter - M10	Tuerca	
14	390734X1	2	Washer M10-21-2 Z	Rondelle - M10	Unterlegscheibe	Arandela	
15	339123X1	2	Bolt M8-20 Z5f	Boulon M8 X 20	Maschschraube M8	Perno	
16	6100555M1	1	Clip Pipe	Collier Pour Tuyaux	Rohrschelle	Argolla De Cierre	
17	6109901M91	1	Bottle - Expansion	Bouteille	Flasche	Vasija De Expansión	
18	#RESERVOIR	1	Reservoir	Reservoir	Reservoir	Reservoir	Ref. 17
19	#CAP	1	Cap	Chapeau	Kappe	Tapa	Ref. 17
20	1441461X1	2	Nut M8 Z5 Lock	Ecrou	Mutter	Tuerca	
21	390972X1	2	Washer M8-17-1 Zwl	Rondelle M8	Scheibe - M8	Arandela	
22	6100555M1	1	Clip Pipe	Collier Pour Tuyaux	Rohrschelle	Argolla De Cierre	
23	6109001M2	1	Hose - Expansion Bottle	Flexible	Schlauch	Tubo Flexible	
24	1441932X1	2	Nut M10 Z5 Lock	Ecrou Blocage - M10	Flashmutter - M10	Tuerca	
25	390734X1	2	Washer M10-21-2 Z	Rondelle - M10	Unterlegscheibe	Arandela	
26	1441932X1	1	Nut M10 Z5 Lock	Ecrou Blocage - M10	Flashmutter - M10	Tuerca	
27	390734X1	2	Washer M10-21-2 Z	Rondelle - M10	Unterlegscheibe	Arandela	
28	6112240M2	1	Bracket - Washer Bottle	Support Fixation	Haltearm	Soporte De Fijación	
29	390734X1	1	Washer M10-21-2 Z	Rondelle - M10	Unterlegscheibe	Arandela	
30	1441932X1	1	Nut M10 Z5 Lock	Ecrou Blocage - M10	Flashmutter - M10	Tuerca	



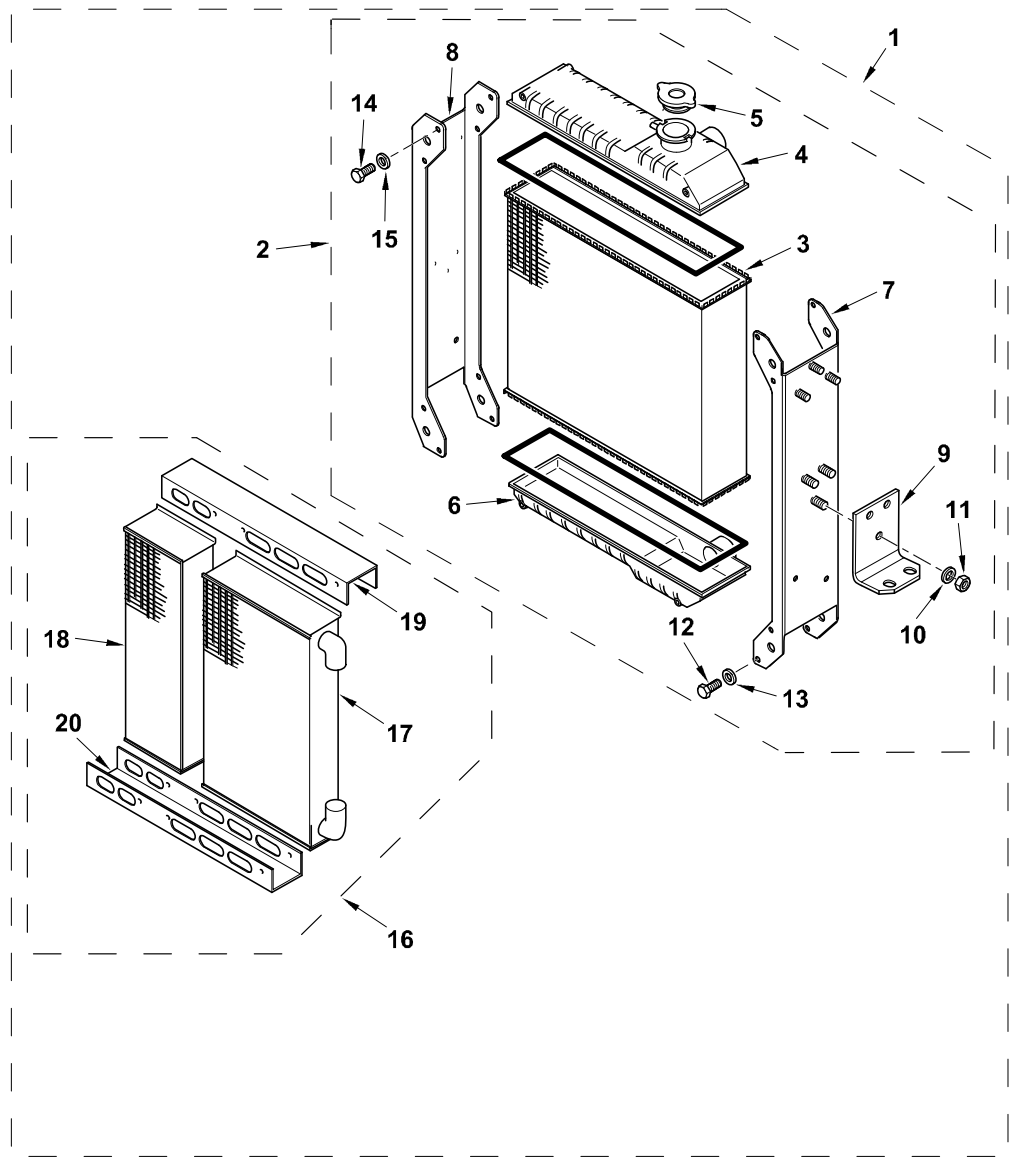
C-25013-01.1-B



Item	Part No.	Qty.	English	French	German	Spanish	Remarks
31	3009493X1	1	Bolt M10-30 Z5c	Boulon M10 X 30	Maschschraube M10	Perno	
32	3520363M1	2	Clip Pipe	Clip	Klips	Clip	
33	3517415M1	1	Clip Hose 60/80	Bride Pour Tutaux	Schlauchschelle	Collar	
34	3517415M1	1	Clip Hose 60/80	Bride Pour Tutaux	Schlauchschelle	Collar	
35	339020X1	4	Hex. Bolt - M12 X 20, Coarse	Boulon - M12 X 20	Schraube - M12 X 20	Tornillo	
36	385363X1	4	Washer, M12 - Hardened	Rondelle M12	Scheibe M12	Arandela	



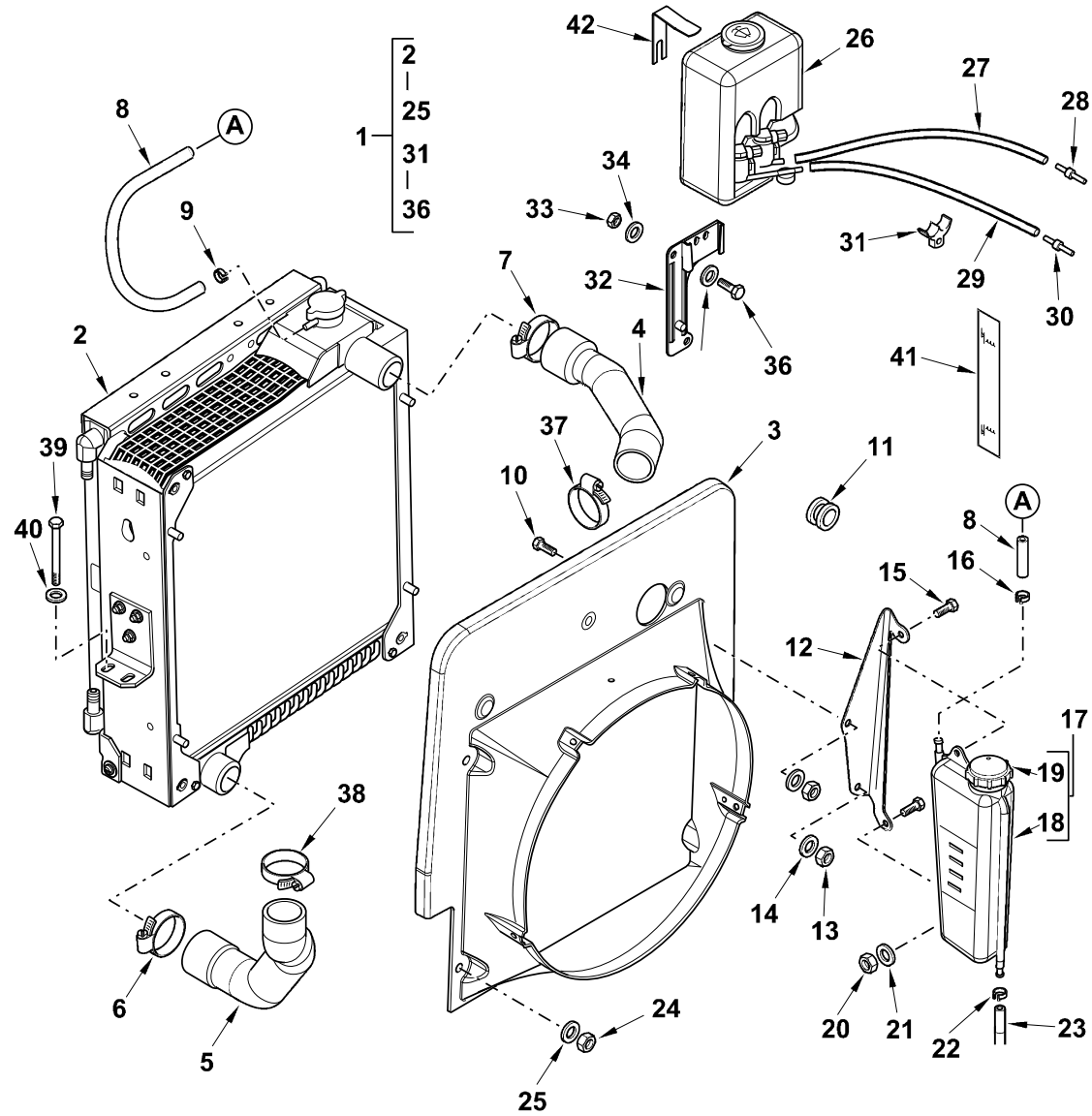
C-25013-02.1-A



Item	Part No.	Qty.	English	French	German	Spanish	Remarks
1	6109204M91	1	Radiator/Cooler Assy W/O Aircon	Ensemble De Radiateur	Motorkühler Kpl.	Radiador, Conj.	25013c01.1 2
2	6108985M91	1	Radiator Assy	Radiateur Ass.	Motorkühler Kplt	Radiador	
3	#ELEMENT	1	Element	Element	Element	Element	Ref. 2
4	#COVER	1	Cover	Cover	Cover	Cover	Ref. 2
5	6190650M1	1	Filler Cap Radiator	Bouchon Rempliss.	Einfülldeckel	Tapón De Llenado	
6	#COVER	1	Cover	Cover	Cover	Cover	Ref. 2
7	6194151M91	1	Support LH	Ensemble De Support	Haltevorrichtung Kpl.	Apoyadero, Conj.	
8	6194152M91	1	Support RH	Ensemble De Support	Haltevorrichtung Kpl.	Apoyadero, Conj.	
9	6194153M1	2	Bracket	Patte Fixation	Halter	Pata De Fijación	
10	6190793M1	6	Washer	Rondelle	Scheibe	Arandela	
11	6190792M1	6	Safety Nut	Ecrou	Mutter	Tuerca De Retención	
12	6190790M1	4	Screw	Vis	Schraube	Tornillo	
13	6190791M1	4	Washer	Rondelle	Scheibe	Arandela	
14	6190790M1	4	Screw	Vis	Schraube	Tornillo	
15	6190791M1	4	Washer	Rondelle	Scheibe	Arandela	
16	6109684M91	1	Cooler Assy	Refrroidisseur	Kühler	Aceite Conjunto Enfr.	
17	#ELEMENT	1	Element	Element	Element	Element	Ref. 16
18	#ELEMENT	1	Element	Element	Element	Element	Ref. 16
19	6194155M1	1	Support	Support	Haltevorrichtung	Soporte	
20	6194154M1	1	Support	Support	Haltevorrichtung	Soporte	



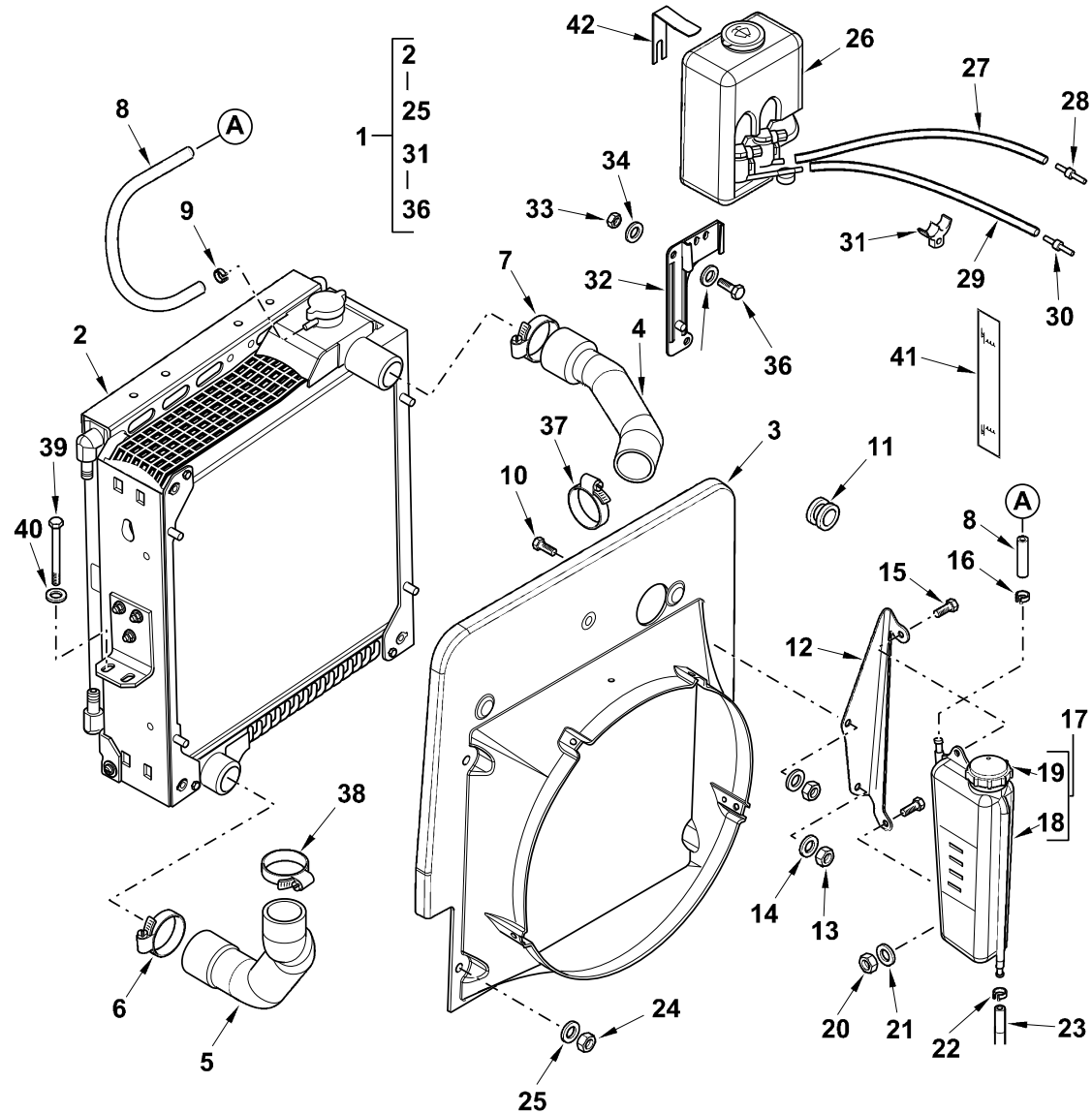
C-25014-01.1-B



Item	Part No.	Qty.	English	French	German	Spanish	Remarks
1	6112448M91	1	Cooling - Hla (Radiator Assembly)	Ensemble De Radiateur	Motorkühler Kpl.	Radiador, Conj.	
2	6109204M91	1	Radiator/Cooler Assy W/O Aircon	Ensemble De Radiateur	Motorkühler Kpl.	Radiador, Conj.	25014c02.1 1
3	6110011M1	1	Fan Cowl	Capot	Haube	Capotaje	
4	6110104M1	1	Hose - Radiator Top	Flexible	Schlauch	Tubo Flexible	
5	6109171M1	1	Hose - Radiator Bottom	Flexible	Schlauch	Tubo Flexible	
6	3517415M1	1	Clip Hose 60/80	Bride Pour Tutaux	Schlauchschelle	Collar	
7	3517415M1	1	Clip Hose 60/80	Bride Pour Tutaux	Schlauchschelle	Collar	
8	6109001M1	1	Hose - Expansion Bottle	Flexible	Schlauch	Tubo Flexible	
9	6100555M1	1	Clip Pipe	Collier Pour Tuyaux	Rohrschelle	Argolla De Cierre	
10	3009493X1	1	Bolt M10-30 Z5c	Boulon M10 X 30	Maschschraube M10	Perno	
11	3522133M2	1	Grommet 15.9-20.6	Passe-Fil	Tülle	Pasa Cable	
12	6108999M1	1	Bracket-Expansion Bottle	Patte Fixation	Halter	Pata De Fijación	
13	1441932X1	2	Nut M10 Z5 Lock	Ecrou Blocage - M10	Flashmutter - M10	Tuerca	
14	390734X1	2	Washer M10-21-2 Z	Rondelle - M10	Unterlegscheibe	Arandela	
15	339123X1	2	Bolt M8-20 Z5f	Boulon M8 X 20	Maschschraube M8	Perno	
16	6100555M1	1	Clip Pipe	Collier Pour Tuyaux	Rohrschelle	Argolla De Cierre	
17	6109901M91	1	Bottle - Expansion	Bouteille	Flasche	Vasija De Expansión	
18	#RESERVOIR	1	Reservoir	Reservoir	Reservoir	Reservoir	Ref. 17
19	#CAP	1	Cap	Chapeau	Kappe	Tapa	Ref. 17
20	1441461X1	2	Nut M8 Z5 Lock	Ecrou	Mutter	Tuerca	
21	390972X1	2	Washer M8-17-1 Zwl	Rondelle M8	Scheibe - M8	Arandela	
22	6100555M1	1	Clip Pipe	Collier Pour Tuyaux	Rohrschelle	Argolla De Cierre	
23	6109001M2	1	Hose - Expansion Bottle	Flexible	Schlauch	Tubo Flexible	
24	1441932X1	3	Nut M10 Z5 Lock	Ecrou Blocage - M10	Flashmutter - M10	Tuerca	
25	390734X1	3	Washer M10-21-2 Z	Rondelle - M10	Unterlegscheibe	Arandela	
26	6112450M91	1	Washer Bottle Assembly	Ensemble De Réservoir	Behälter Kpl.	Depósito, Conj.	
27	3516102M1	1	Tubing Water Bottle	Tube	Rohr	Tubo	
28	3516103M1	1	Connector Water Tubing	Connecteur	Steckverbindung	Conector	
29	3516102M1	1	Tubing Water Bottle	Tube	Rohr	Tubo	
30	3516103M1	1	Connector Water Tubing	Connecteur	Steckverbindung	Conector	



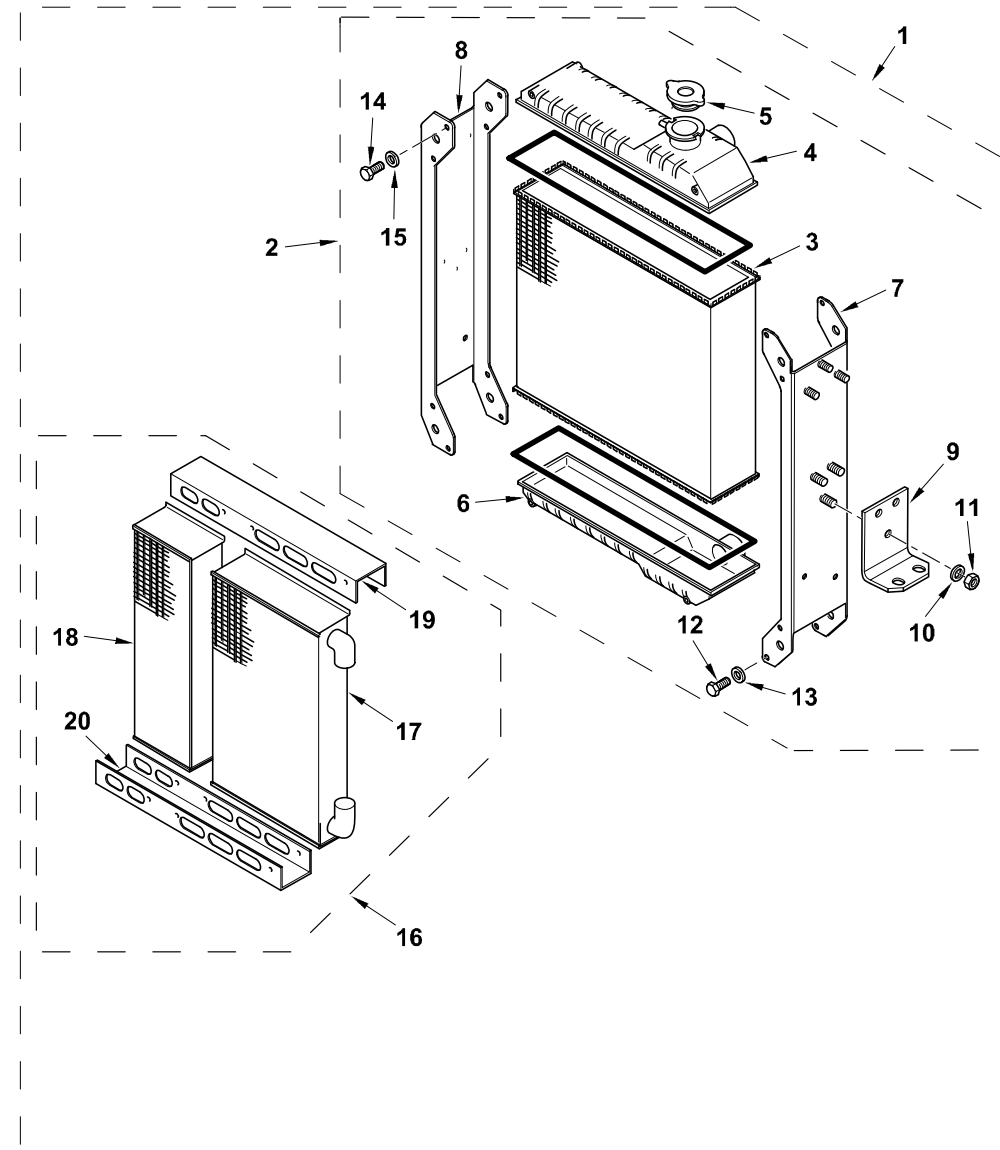
C-25014-01.1-B



Item	Part No.	Qty.	English	French	German	Spanish	Remarks
31	3520363M1	2	Clip Pipe	Clip	Klips	Clip	
32	6112240M2	1	Bracket - Washer Bottle	Support Fixation	Haltearm	Soporte De Fijación	
33	1441932X1	1	Nut M10 Z5 Lock	Ecrou Blocage - M10	Flashmutter - M10	Tuerca	
34	390734X1	1	Washer M10-21-2 Z	Rondelle - M10	Unterlegscheibe	Arandela	
35	390734X1	1	Washer M10-21-2 Z	Rondelle - M10	Unterlegscheibe	Arandela	
36	3009493X1	1	Bolt M10-30 Z5c	Boulon M10 X 30	Maschschraube M10	Perno	
37	3517415M1	1	Clip Hose 60/80	Bride Pour Tutaux	Schlauchschelle	Collar	
38	3517415M1	1	Clip Hose 60/80	Bride Pour Tutaux	Schlauchschelle	Collar	
39	339020X1	4	Hex. Bolt - M12 X 20, Coarse	Boulon - M12 X 20	Schraube - M12 X 20	Tornillo	
40	385363X1	4	Washer, M12 - Hardened	Rondelle M12	Scheibe M12	Arandela	
41	6100661M1	1	Decal- Coolant Level	Decalcolmanie	Abziehbild	Placa	
42	6112353M1	1	Retainer - Washer Bottle	Reteneur	Haltering	Fijación	



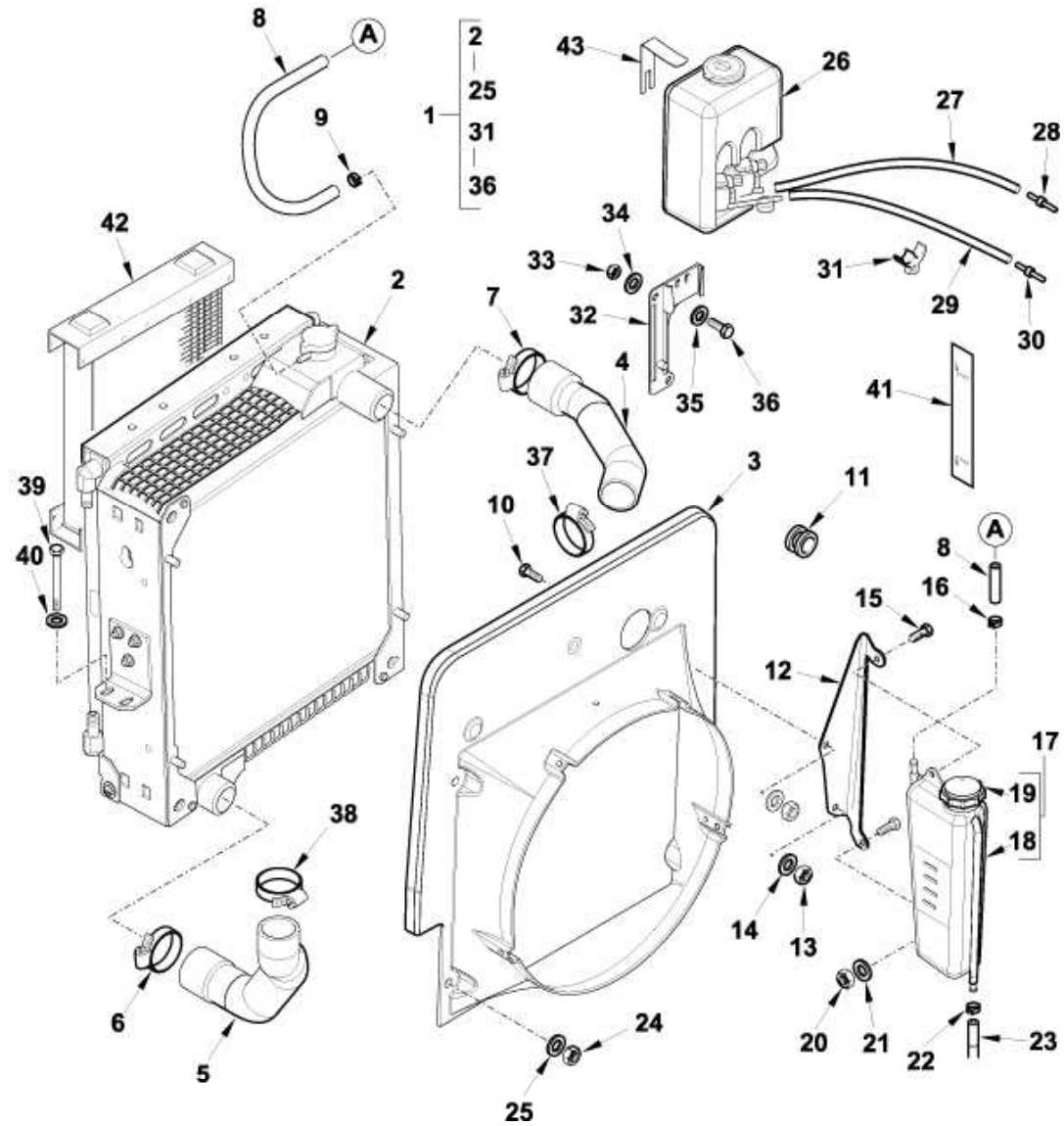
C-25014-02.1-A



Item	Part No.	Qty.	English	French	German	Spanish	Remarks
1	6109204M91	1	Radiator/Cooler Assy W/O Aircon	Ensemble De Radiateur	Motorkühler Kpl.	Radiador, Conj.	25014c01.1 2
2	6108985M91	1	Radiator Assy	Radiateur Ass.	Motorkühler Kplt	Radiador	
3	#ELEMENT	1	Element	Element	Element	Element	Ref. 2
4	#COVER	1	Cover	Cover	Cover	Cover	Ref. 2
5	6190650M1	1	Filler Cap Radiator	Bouchon Rempliss.	Einfülldeckel	Tapón De Llenado	
6	#COVER	1	Cover	Cover	Cover	Cover	Ref. 2
7	6194151M91	1	Support LH	Ensemble De Support	Haltevorrichtung Kpl.	Apoyadero, Conj.	
8	6194152M91	1	Support RH	Ensemble De Support	Haltevorrichtung Kpl.	Apoyadero, Conj.	
9	6194153M1	2	Bracket	Patte Fixation	Halter	Pata De Fijación	
10	6190793M1	6	Washer	Rondelle	Scheibe	Arandela	
11	6190792M1	6	Safety Nut	Ecrou	Mutter	Tuerca De Retención	
12	6190790M1	4	Screw	Vis	Schraube	Tornillo	
13	6190791M1	4	Washer	Rondelle	Scheibe	Arandela	
14	6190790M1	4	Screw	Vis	Schraube	Tornillo	
15	6190791M1	4	Washer	Rondelle	Scheibe	Arandela	
16	6109684M91	1	Cooler Assy	Refrroidisseur	Kühler	Aceite Conjunto Enfr.	
17	#ELEMENT	1	Element	Element	Element	Element	Ref. 16
18	#ELEMENT	1	Element	Element	Element	Element	Ref. 16
19	6194155M1	1	Support	Support	Haltevorrichtung	Soporte	
20	6194154M1	1	Support	Support	Haltevorrichtung	Soporte	



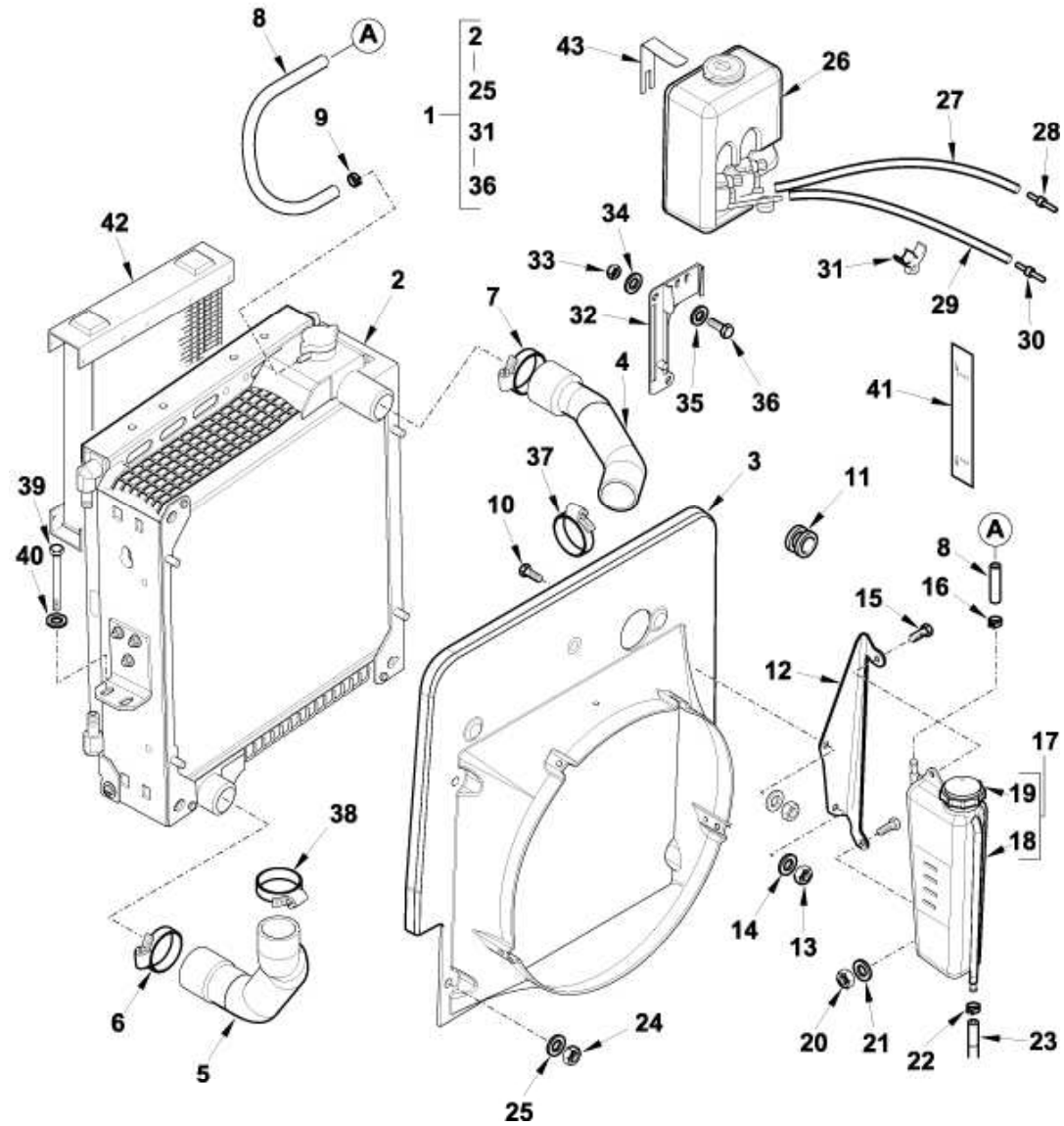
C-25015-01.1-B



Item	Part No.	Qty.	English	French	German	Spanish	Remarks
1	6112448M91	1	Cooling - Hla (Radiator Assembly)	Ensemble De Radiateur	Motorkühler Kpl.	Radiador, Conj.	
2	6109204M91	1	Radiator/Cooler Assy W/O Aircon	Ensemble De Radiateur	Motorkühler Kpl.	Radiador, Conj.	25015c02.1 1
3	6110011M1	1	Fan Cowl	Capot	Haube	Capotaje	
4	6110104M1	1	Hose - Radiator Top	Flexible	Schlauch	Tubo Flexible	
5	6109171M1	1	Hose - Radiator Bottom	Flexible	Schlauch	Tubo Flexible	
6	3517415M1	1	Clip Hose 60/80	Bride Pour Tutaux	Schlauchschelle	Collar	
7	3517415M1	1	Clip Hose 60/80	Bride Pour Tutaux	Schlauchschelle	Collar	
8	6109001M1	1	Hose - Expansion Bottle	Flexible	Schlauch	Tubo Flexible	
9	6100555M1	1	Clip Pipe	Collier Pour Tuyaux	Rohrschelle	Argolla De Cierre	
10	3009493X1	1	Bolt M10-30 Z5c	Boulon M10 X 30	Maschschraube M10	Perno	
11	3522133M2	1	Grommet 15.9-20.6	Passe-Fil	Tülle	Pasa Cable	
12	6108999M2	1	Bracket Expansion Bottle	Bracket Expansion Bottle	Bracket Expansion Bottle	Bracket Expansion Bottle	
13	1441932X1	2	Nut M10 Z5 Lock	Ecrou Blocage - M10	Flashmutter - M10	Tuerca	
14	390734X1	2	Washer M10-21-2 Z	Rondelle - M10	Unterlegscheibe	Arandela	
15	339123X1	2	Bolt M8-20 Z5f	Boulon M8 X 20	Maschschraube M8	Perno	
16	6100555M1	1	Clip Pipe	Collier Pour Tuyaux	Rohrschelle	Argolla De Cierre	
17	6109901M91	1	Bottle - Expansion	Bouteille	Flasche	Vasija De Expansión	
18	#RESERVOIR	1	Reservoir	Reservoir	Reservoir	Reservoir	Ref. 17
19	#CAP	1	Cap	Chapeau	Kappe	Tapa	Ref. 17
20	1441461X1	2	Nut M8 Z5 Lock	Ecrou	Mutter	Tuerca	
21	390972X1	2	Washer M8-17-1 Zwl	Rondelle M8	Scheibe - M8	Arandela	
22	6100555M1	1	Clip Pipe	Collier Pour Tuyaux	Rohrschelle	Argolla De Cierre	
23	6109001M2	1	Hose - Expansion Bottle	Flexible	Schlauch	Tubo Flexible	
24	1441932X1	3	Nut M10 Z5 Lock	Ecrou Blocage - M10	Flashmutter - M10	Tuerca	
25	390734X1	3	Washer M10-21-2 Z	Rondelle - M10	Unterlegscheibe	Arandela	
26	6112450M91	1	Washer Bottle Assembly	Ensemble De Réservoir	Behälter Kpl.	Depósito, Conj.	
27	3516102M1	1	Tubing Water Bottle	Tube	Rohr	Tubo	
28	3516103M1	1	Connector Water Tubing	Connecteur	Steckverbindung	Conector	
29	3516102M1	1	Tubing Water Bottle	Tube	Rohr	Tubo	
30	3516103M1	1	Connector Water Tubing	Connecteur	Steckverbindung	Conector	

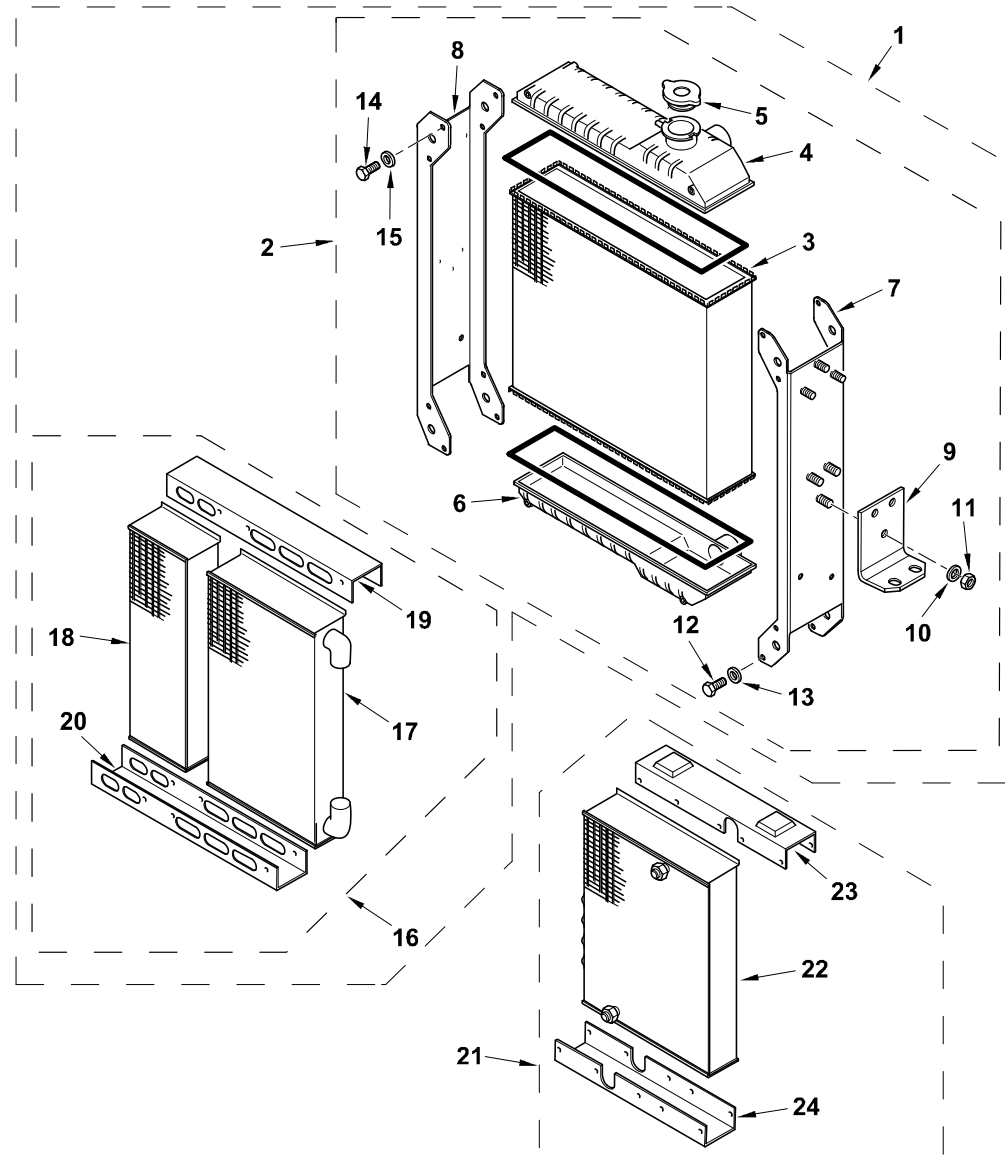


C-25015-01.1-B



Item	Part No.	Qty.	English	French	German	Spanish	Remarks
31	3520363M1	2	Clip Pipe	Clip	Klips	Clip	
32	6110310M91	1	Bracket - Washer Bottle W/Assy	Patte Fixation	Halter	Soporte De Fijación	
33	1441932X1	1	Nut M10 Z5 Lock	Ecrou Blocage - M10	Flashmutter - M10	Tuerca	
34	390734X1	1	Washer M10-21-2 Z	Rondelle - M10	Unterlegscheibe	Arandela	
35	390734X1	1	Washer M10-21-2 Z	Rondelle - M10	Unterlegscheibe	Arandela	
36	3009493X1	1	Bolt M10-30 Z5c	Boulon M10 X 30	Maschschraube M10	Perno	
37	3517415M1	1	Clip Hose 60/80	Bride Pour Tutaux	Schlauchschelle	Collar	
38	3517415M1	1	Clip Hose 60/80	Bride Pour Tutaux	Schlauchschelle	Collar	
39	339020X1	4	Hex. Bolt - M12 X 20, Coarse	Boulon - M12 X 20	Schraube - M12 X 20	Tornillo	
40	385363X1	4	Washer, M12 - Hardened	Rondelle M12	Scheibe M12	Arandela	
41	6100661M1	1	Decal- Coolant Level	Decalcolmanie	Abziehbild	Placa	
42	6112449M91	1	Condenser	Condenseur	Verdichter	Condensador	25015c02.1 21
43	6112353M1	1	Retainer - Washer Bottle	Reteneur	Haltering	Fijación	

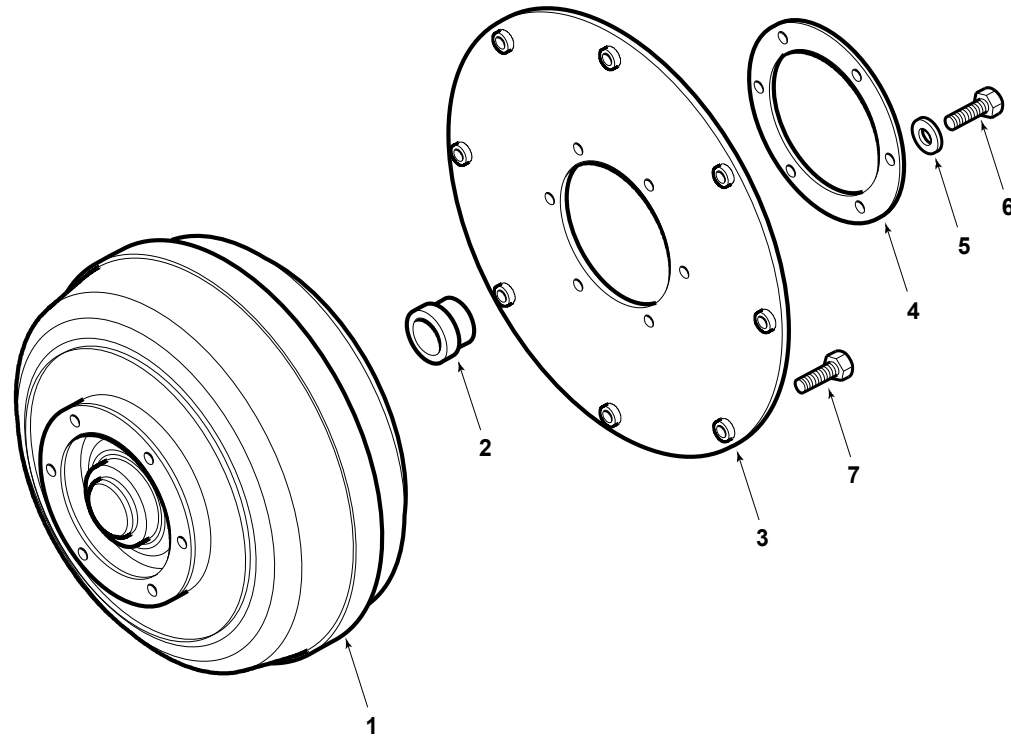
C-25015-02.1-A



Item	Part No.	Qty.	English	French	German	Spanish	Remarks
1	6109204M91	1	Radiator/Cooler Assy W/O Aircon	Ensemble De Radiateur	Motorkühler Kpl.	Radiador, Conj.	25015c01.1 2
2	6108985M91	1	Radiator Assy	Radiateur Ass.	Motorkühler Kplt	Radiador	
3	#ELEMENT	1	Element	Element	Element	Element	Ref. 2
4	#COVER	1	Cover	Cover	Cover	Cover	Ref. 2
5	6190650M1	1	Filler Cap Radiator	Bouchon Rempliss.	Einfülldeckel	Tapón De Llenado	
6	#COVER	1	Cover	Cover	Cover	Cover	Ref. 2
7	6194151M91	1	Support LH	Ensemble De Support	Haltevorrichtung Kpl.	Apoyadero, Conj.	
8	6194152M91	1	Support RH	Ensemble De Support	Haltevorrichtung Kpl.	Apoyadero, Conj.	
9	6194153M1	2	Bracket	Patte Fixation	Halter	Pata De Fijación	
10	6190793M1	6	Washer	Rondelle	Scheibe	Arandela	
11	6190792M1	6	Safety Nut	Ecrou	Mutter	Tuerca De Retención	
12	6190790M1	4	Screw	Vis	Schraube	Tornillo	
13	6190791M1	4	Washer	Rondelle	Scheibe	Arandela	
14	6190790M1	4	Screw	Vis	Schraube	Tornillo	
15	6190791M1	4	Washer	Rondelle	Scheibe	Arandela	
16	6109684M91	1	Cooler Assy	Refrroidisseur	Kühler	Aceite Conjunto Enfr.	
17	#ELEMENT	1	Element	Element	Element	Element	Ref. 16
18	#ELEMENT	1	Element	Element	Element	Element	Ref. 16
19	6194155M1	1	Support	Support	Haltevorrichtung	Soporte	
20	6194154M1	1	Support	Support	Haltevorrichtung	Soporte	
21	6112449M91	1	Condenser	Condenseur	Verdichter	Condensador	25015c01.1 42
22	#ELEMENT	1	Element	Element	Element	Element	Ref. 21
23	#SUPPORT	1	Support	Support	Support	Support	Ref. 21
24	#SUPPORT	1	Support	Support	Support	Support	Ref. 21



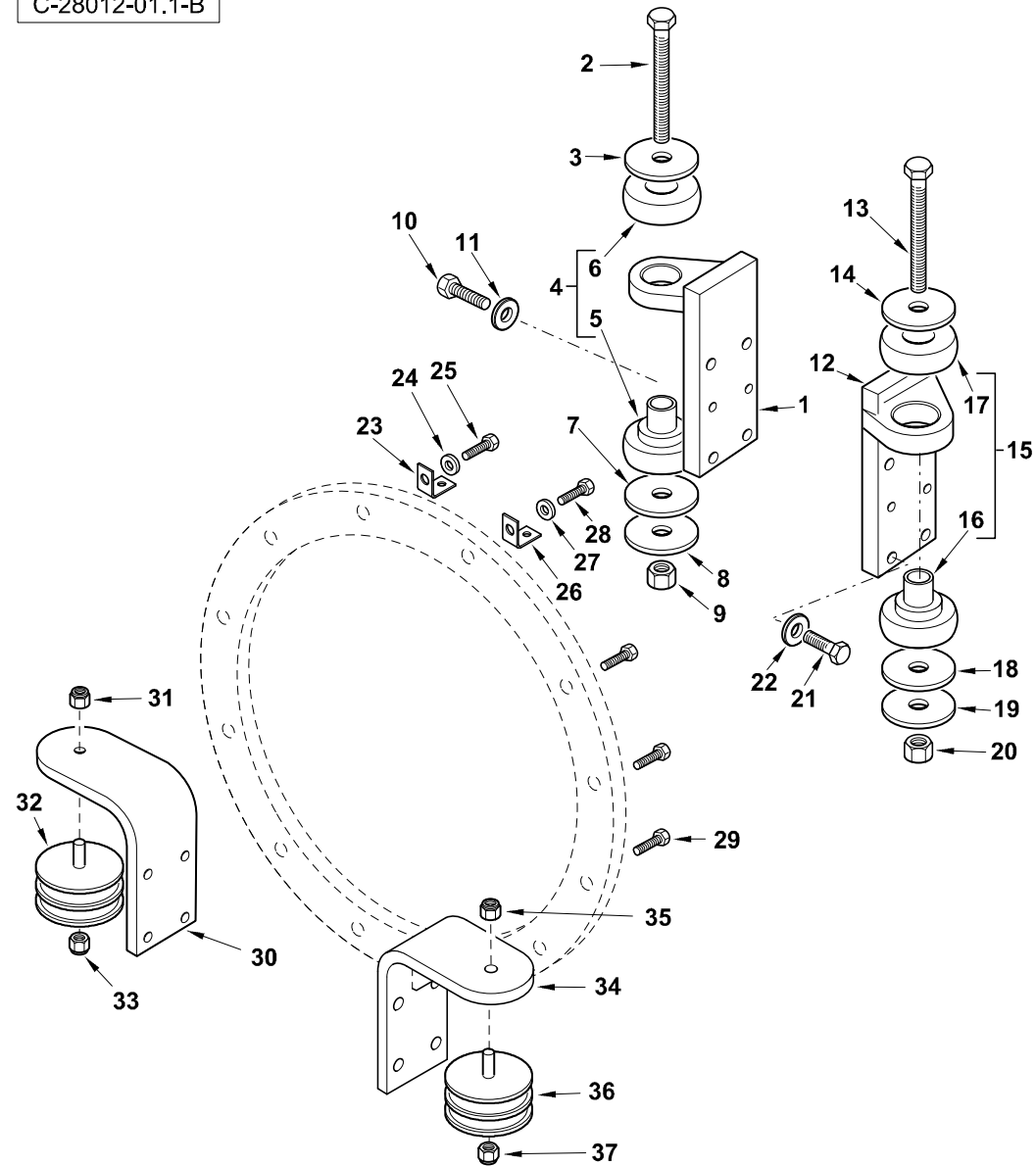
C-27010-01.1-A



Item	Part No.	Qty.	English	French	German	Spanish	Remarks
1	6109142M91	1	Torque Converter Ss Co Axial	Convertisseur Couple	Drehmomentwandler	Convertidor De Par	
2	6109205M1	1	Adaptor	Adaptateur	Reduziernippel	Adaptador	
3	6109196M2	1	Plate-Tc Drive	Plaque	Platte	Disco Accionamiento	
4	6109195M1	1	Plate-Tc Ring	Plaque En Anneau	Scheibe	Placa De Anillo	
5	390734X1	6	Washer M10-21-2 Z	Rondelle - M10	Unterlegscheibe	Arandela	
6	1440433X1	6	Screw M10-16 H 10.9	Vis	Schraube	Tornillo	
7	3009497X1	8	Bolt M10x50	Goupille	Sechskantschraube	Perno	



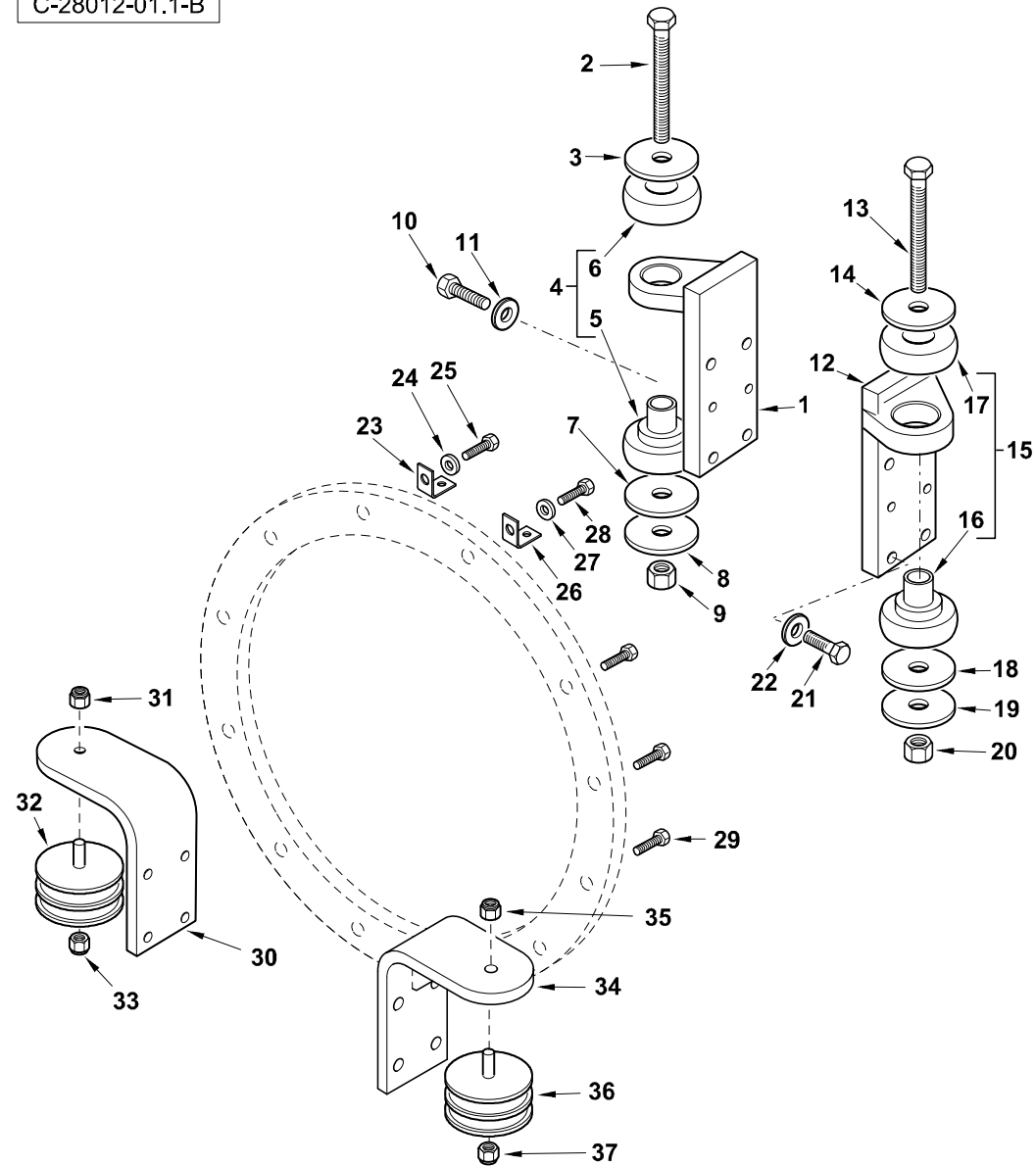
C-28012-01.1-B



Item	Part No.	Qty.	English	French	German	Spanish	Remarks
1	6110557M91	1	Mount Assy Transmission RH	Ensemble De Support	Halterrung	Apoyadero, Conj.	
2	6007822M1	1	Bolt- M16 X 120lg-10.9	Boulon M16 X 120	Schraube M16 X 120	Perno	
3	6106849M1	1	Washer, Special Rebound - Trmn. Mtg.	Rondelle Spéciale	Spezialscheibe	Arandela	
4	6106848M91	1	Mounting Assy. - Transmission	Support De Fixation	Befestigung	Soporte De Fijación	
5	#MOUNT	1	Mount	Mount	Mount	Mount	Ref. 4
6	#MOUNT	1	Mount	Mount	Mount	Mount	Ref. 4
7	6106849M1	1	Washer, Special Rebound - Trmn. Mtg.	Rondelle Spéciale	Spezialscheibe	Arandela	
8	6106849M1	1	Washer, Special Rebound - Trmn. Mtg.	Rondelle Spéciale	Spezialscheibe	Arandela	
9	3516756M1	1	Nut, Hex. - M16, Special, 10.9	Ecrou Métrique	Mutter Metrisch	Tuerca	
10	1440717X1	4	M12x40hex Head Setscrew 10.9	Goupille	Bolzen	Perno	
11	3516702M1	4	Washer H Special	Rondelle	Scheibe	Arandela	
12	6110556M91	1	Mount Assy Transmission LH	Ensemble De Support	Halterrung	Apoyadero, Conj.	
13	6007822M1	1	Bolt- M16 X 120lg-10.9	Boulon M16 X 120	Schraube M16 X 120	Perno	
14	6106849M1	1	Washer, Special Rebound - Trmn. Mtg.	Rondelle Spéciale	Spezialscheibe	Arandela	
15	6106848M91	1	Mounting Assy. - Transmission	Support De Fixation	Befestigung	Soporte De Fijación	
16	#MOUNT	1	Mount	Mount	Mount	Mount	Ref. 15
17	#MOUNT	1	Mount	Mount	Mount	Mount	Ref. 15
18	6106849M1	1	Washer, Special Rebound - Trmn. Mtg.	Rondelle Spéciale	Spezialscheibe	Arandela	
19	6106849M1	1	Washer, Special Rebound - Trmn. Mtg.	Rondelle Spéciale	Spezialscheibe	Arandela	
20	3516756M1	1	Nut, Hex. - M16, Special, 10.9	Ecrou Métrique	Mutter Metrisch	Tuerca	
21	1440717X1	4	M12x40hex Head Setscrew 10.9	Goupille	Bolzen	Perno	
22	3516702M1	4	Washer H Special	Rondelle	Scheibe	Arandela	
23	6109883M1	1	Bracket-Harness Transm	Patte Fixation	Halter	Pata De Fijación	
24	385362X1	1	Washer, Hardened - M10	Rondelle - M10	Unterlegscheibe M10	Arandela	
25	392892X1	1	Screw-M10 X 35 10.9	Goupille	Bolzen	Perno	
26	6109883M1	1	Bracket-Harness Transm	Patte Fixation	Halter	Pata De Fijación	
27	385362X1	1	Washer, Hardened - M10	Rondelle - M10	Unterlegscheibe M10	Arandela	
28	392892X1	1	Screw-M10 X 35 10.9	Goupille	Bolzen	Perno	
29	392892X1	10	Screw-M10 X 35 10.9	Goupille	Bolzen	Perno	
30	6111781M91	1	Engine Mount - W/A	Support De Fixation	Befestigung	Soporte De Fijación	



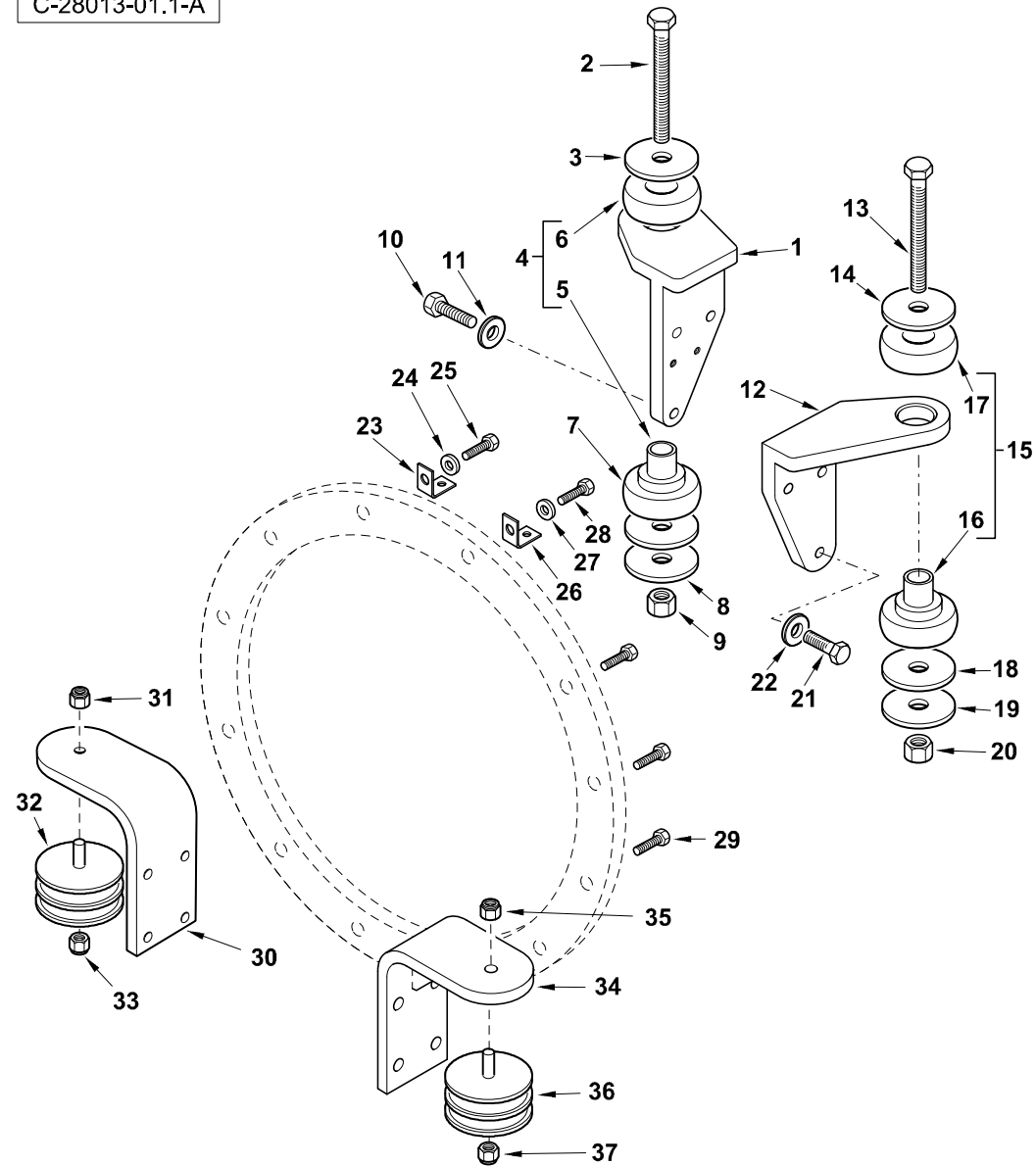
C-28012-01.1-B



Item	Part No.	Qty.	English	French	German	Spanish	Remarks
31	1440329X1	1	Nut, Hex. - Nyloc, M10	Ecrou Blocage	Flachmutter M10	Tuerca De Retención	
32	3521357M1	1	Mount Engine	Support De Moteur	Motorlager	Bloque Aislante	
33	1440329X1	1	Nut, Hex. - Nyloc, M10	Ecrou Blocage	Flachmutter M10	Tuerca De Retención	
34	6111781M91	1	Engine Mount - W/A	Support De Fixation	Befestigung	Soporte De Fijación	
35	1440329X1	1	Nut, Hex. - Nyloc, M10	Ecrou Blocage	Flachmutter M10	Tuerca De Retención	
36	3521357M1	1	Mount Engine	Support De Moteur	Motorlager	Bloque Aislante	
37	1440329X1	1	Nut, Hex. - Nyloc, M10	Ecrou Blocage	Flachmutter M10	Tuerca De Retención	



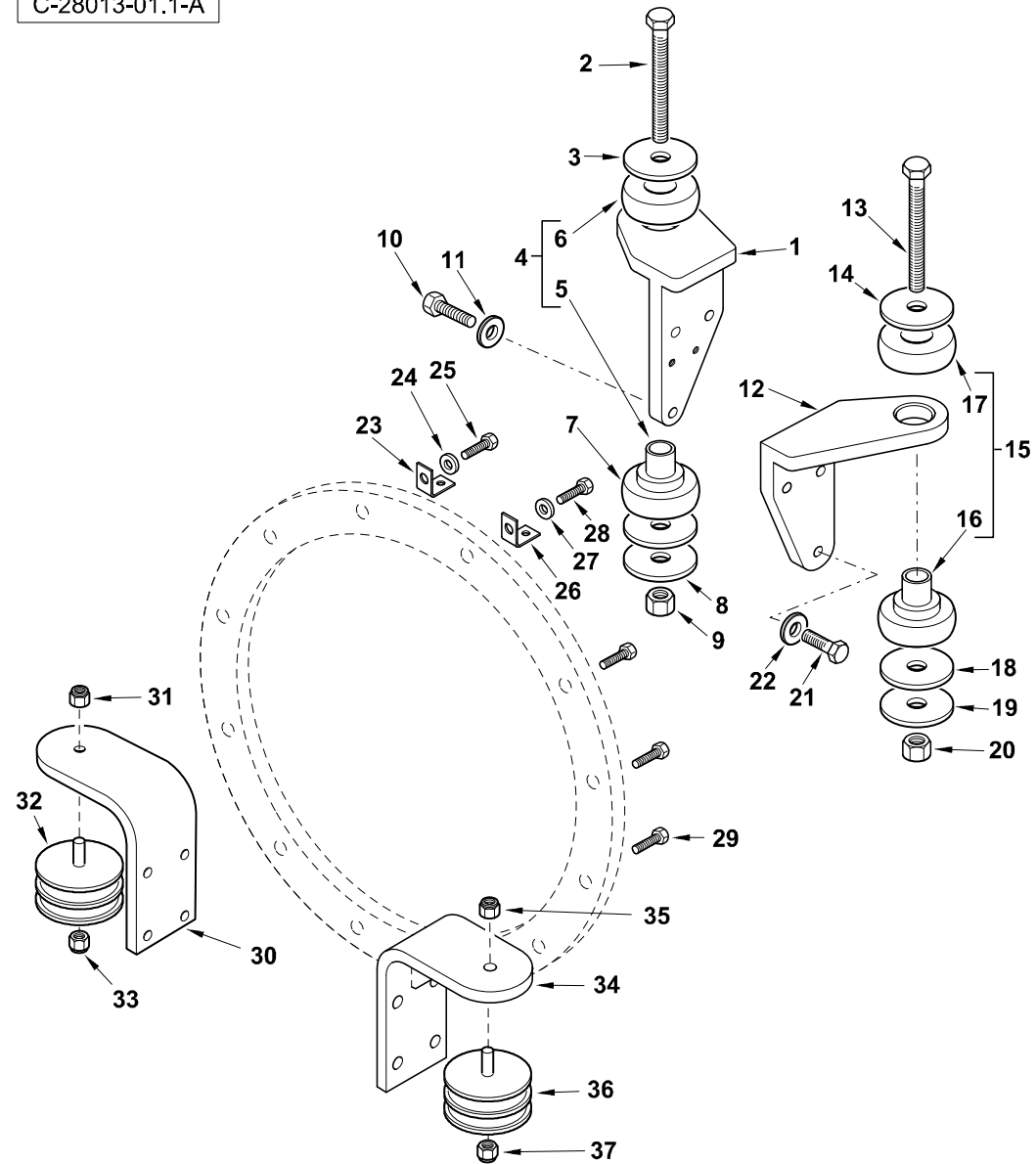
C-28013-01.1-A



Item	Part No.	Qty.	English	French	German	Spanish	Remarks
1	6112397M92	1	Mount Trans RH Tib1	Rondelle Frein	Federring	Arandela Segur	
2	6007822M1	1	Bolt- M16 X 120lg-10.9	Boulon M16 X 120	Schraube M16 X 120	Perno	
3	6106849M1	1	Washer, Special Rebound - Trmn. Mtg.	Rondelle Spéciale	Speziialscheibe	Arandela	
4	6106848M91	1	Mounting Assy. - Transmission	Support De Fixation	Befestigung	Soporte De Fijación	
5	#MOUNT	1	Mount	Mount	Mount	Mount	Ref. 4
6	#MOUNT	1	Mount	Mount	Mount	Mount	Ref. 4
7	6106849M1	1	Washer, Special Rebound - Trmn. Mtg.	Rondelle Spéciale	Speziialscheibe	Arandela	
8	6106849M1	1	Washer, Special Rebound - Trmn. Mtg.	Rondelle Spéciale	Speziialscheibe	Arandela	
9	3516756M1	1	Nut, Hex. - M16, Special, 10.9	Ecrou Métrique	Mutter Metrisch	Tuerca	
10	1440717X1	3	M12x40hex Head Setscrew 10.9	Goupille	Bolzen	Perno	
11	3516702M1	3	Washer H Special	Rondelle	Scheibe	Arandela	
12	6112395M92	1	Mount Trans LH Tib1	Ensemble De Support	Haltevorrichtung Kpl.	Apoyadero, Conj.	
13	6007822M1	1	Bolt- M16 X 120lg-10.9	Boulon M16 X 120	Schraube M16 X 120	Perno	
14	6106849M1	1	Washer, Special Rebound - Trmn. Mtg.	Rondelle Spéciale	Speziialscheibe	Arandela	
15	6106848M91	1	Mounting Assy. - Transmission	Support De Fixation	Befestigung	Soporte De Fijación	
16	#MOUNT	1	Mount	Mount	Mount	Mount	Ref. 15
17	#MOUNT	1	Mount	Mount	Mount	Mount	Ref. 15
18	6106849M1	1	Washer, Special Rebound - Trmn. Mtg.	Rondelle Spéciale	Speziialscheibe	Arandela	
19	6106849M1	1	Washer, Special Rebound - Trmn. Mtg.	Rondelle Spéciale	Speziialscheibe	Arandela	
20	3516756M1	1	Nut, Hex. - M16, Special, 10.9	Ecrou Métrique	Mutter Metrisch	Tuerca	
21	1440717X1	3	M12x40hex Head Setscrew 10.9	Goupille	Bolzen	Perno	
22	3516702M1	3	Washer H Special	Rondelle	Scheibe	Arandela	
23	6109883M1	1	Bracket-Harness Transm	Patte Fixation	Halter	Pata De Fijación	
24	385362X1	1	Washer, Hardened - M10	Rondelle - M10	Unterlegscheibe M10	Arandela	
25	392892X1	1	Screw-M10 X 35 10.9	Goupille	Bolzen	Perno	
26	6109883M1	1	Bracket-Harness Transm	Patte Fixation	Halter	Pata De Fijación	
27	385362X1	1	Washer, Hardened - M10	Rondelle - M10	Unterlegscheibe M10	Arandela	
28	392892X1	1	Screw-M10 X 35 10.9	Goupille	Bolzen	Perno	
29	392892X1	10	Screw-M10 X 35 10.9	Goupille	Bolzen	Perno	
30	6111781M91	1	Engine Mount - W/A	Support De Fixation	Befestigung	Soporte De Fijación	



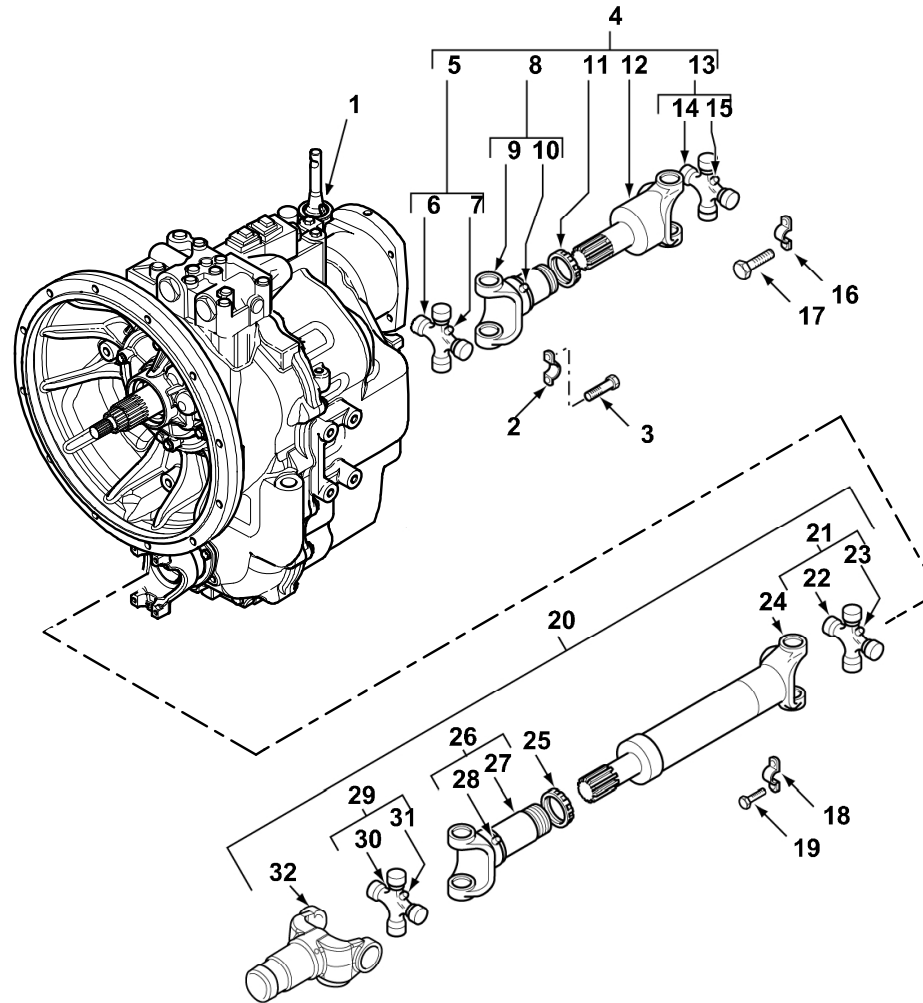
C-28013-01.1-A



Item	Part No.	Qty.	English	French	German	Spanish	Remarks
31	1440329X1	1	Nut, Hex. - Nyloc, M10	Ecrou Blocage	Flachmutter M10	Tuerca De Retención	
32	3521357M1	1	Mount Engine	Support De Moteur	Motorlager	Bloque Aislante	
33	1440329X1	1	Nut, Hex. - Nyloc, M10	Ecrou Blocage	Flachmutter M10	Tuerca De Retención	
34	6111781M91	1	Engine Mount - W/A	Support De Fixation	Befestigung	Soporte De Fijación	
35	1440329X1	1	Nut, Hex. - Nyloc, M10	Ecrou Blocage	Flachmutter M10	Tuerca De Retención	
36	3521357M1	1	Mount Engine	Support De Moteur	Motorlager	Bloque Aislante	
37	1440329X1	1	Nut, Hex. - Nyloc, M10	Ecrou Blocage	Flachmutter M10	Tuerca De Retención	

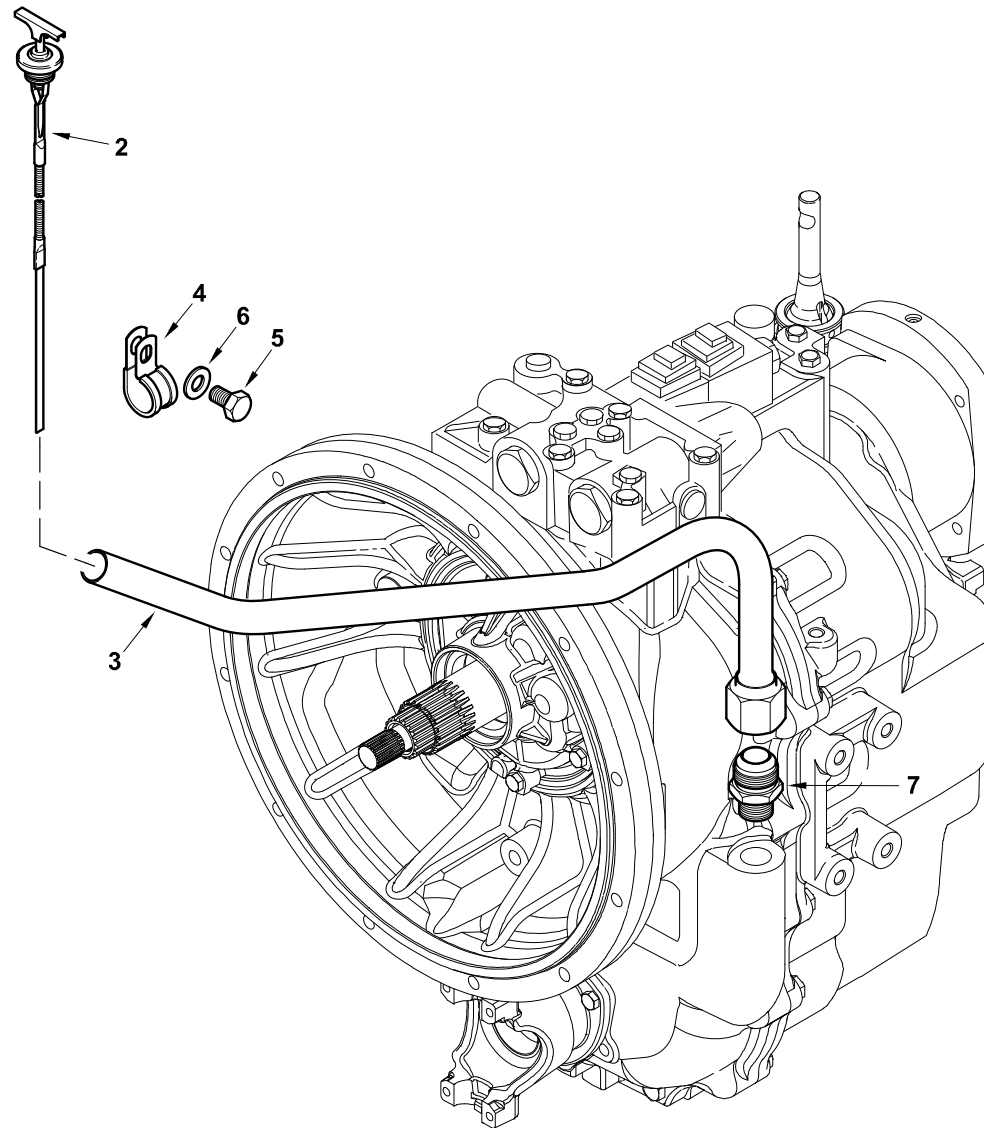


C-29005-01.1-A



Item	Part No.	Qty.	English	French	German	Spanish	Remarks
1	6111347M92	1	Trans Assy 2ws	Transmission	Getriebe	Transmision	
2	6114047M91	1	Propshaft - Rear	Arbre De Cde	Antriebswelle	Eje De Mando	
3	6114052M1	4	Bearing Strap 1410	Patte - Coussinet	Lasche - Lager	Faja - Cojinete	
4	6114053M1	8	Bolt 5/16"	Boulon 5/16"	Maschschraube 5/16"	Perno 5/16"	
5	6114050M91	1	Propshaft - Front	Arbre De Cde	Antriebswelle	Eje De Mando	
6	6114053M1	4	Bolt 5/16"	Boulon 5/16"	Maschschraube 5/16"	Perno 5/16"	
7	6114052M1	2	Bearing Strap 1410	Patte - Coussinet	Lasche - Lager	Faja - Cojinete	

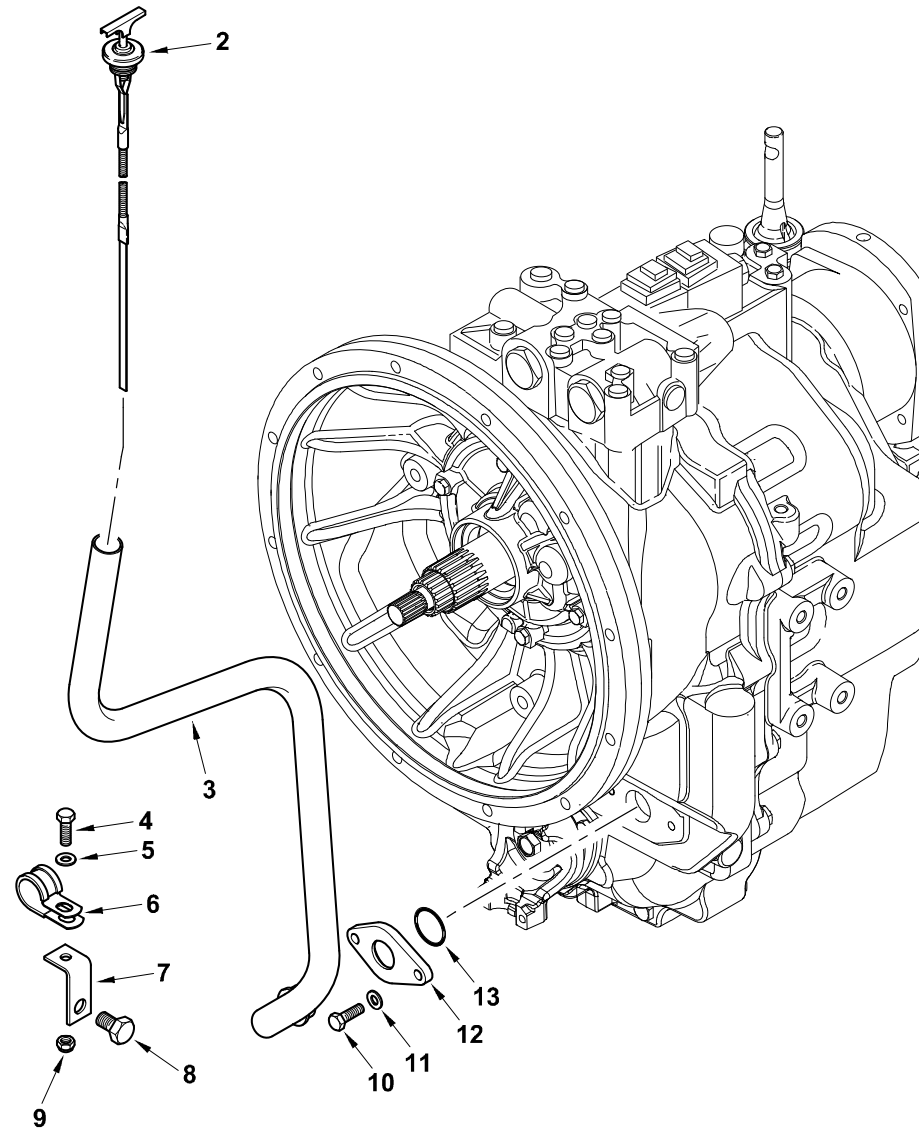
C-29005-02.1-A



Item	Part No.	Qty.	English	French	German	Spanish	Remarks
1	6110549M91	1	Trans Assy 2ws/4wd Carraro (641868) Sync	Boite De Vitesses	Getriebe	Caja De Velocidades	Continued
1	6111347M91	1	Transmission Assy 2ws/4wd	Transmission	Getriebe	Caja De Velocidades	Continued
2	6110860M91	1	Dipstick (Ss Carraro Transmission)	Jauge	Messtab	Calibre De Aceite	
3	6110561M91	1	Tube Assy - Filler (Carraro Trans Sync)	Tuyauterie	Rohr Kpl	Conjunto De Tubería	
4	6110569M1	1	P - Clip	Collier De Fixation	Schelle	Argolla De Fijación	
5	339020X1	1	Hex. Bolt - M12 X 20, Coarse	Boulon - M12 X 20	Schraube - M12 X 20	Tornillo	
6	390735X1	1	Washer M12-24-2 Z	Rondelle	Scheibe - M12	Arandela	
7	6110568M1	1	Connector - Straight 3/4 Nptf 1-5/16 Jic	Connecteur	Doppelnippel	Conector	

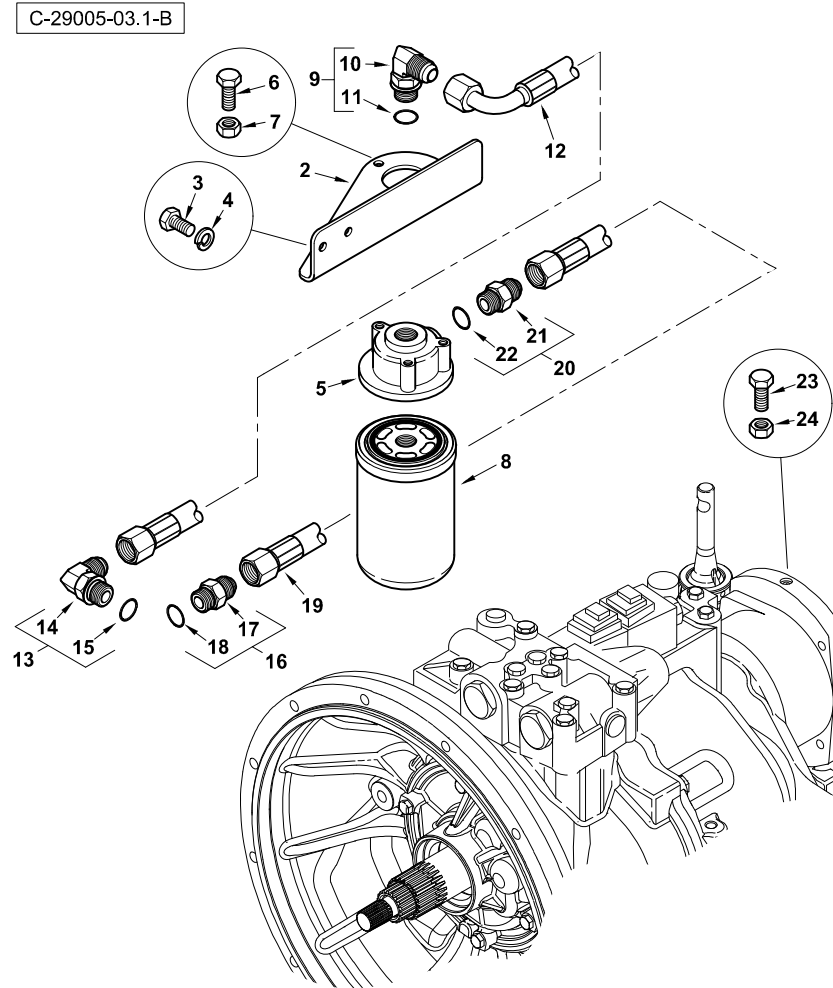


C-29005-02.2-A



Item	Part No.	Qty.	English	French	German	Spanish	Remarks
1	6111347M92	1	Trans Assy 2ws	Transmission	Getriebe	Transmision	
2	6110860M91	1	Dipstick (Ss Carraro Transmission)	Jauge	Messtab	Calibre De Aceite	
3	6111930M1	1	Tube Filler	Tuyauterie	Rohrleitung Kpl.	Conjunto De Tubería	
4	339124X1	1	Bolt M8-16 Z5f	Goupille	Maschschrb Metr - M8	Tornillo	
5	385361X1	1	Washer M8 Hardened	Rondelle M8	Scheibe M8	Arandela	
6	3516392M1	1	Clip P Size 8	Clip	Schelle	Clip	
7	6110288M1	1	Angle	Cornière	Winkel	Esquilla	
8	339020X1	1	Hex. Bolt - M12 X 20, Coarse	Boulon - M12 X 20	Schraube - M12 X 20	Tornillo	
9	394367X1	1	Nut, Hex. - Nyloc, M8	Ecrou Blocage M8	Flachmutter - M8	Tuerca De Retención	
10	339761X1	2	Bolt M8-25 Z5f	Goupille	Bolzen M8 X 25	Tornillo	
11	385361X1	2	Washer M8 Hardened	Rondelle M8	Scheibe M8	Arandela	
12	6111931M1	1	Flange	Flasque	Flansch	Brida De Unión	
13	3007117X1	1	O Ring 29.5x3	Joint Torique	O-Ring	Junta De Tipo O	

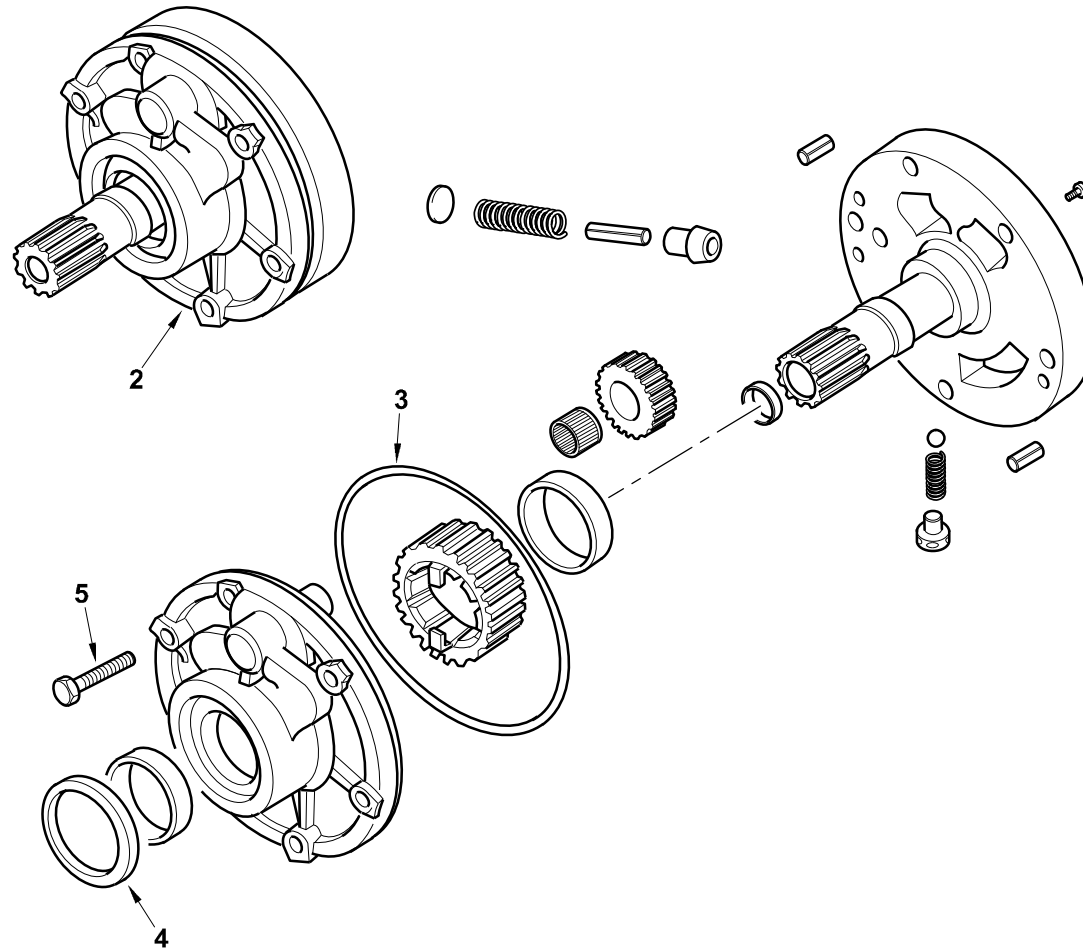




Item	Part No.	Qty.	English	French	German	Spanish	Remarks
1	6110549M91	1	Trans Assy 2ws/4wd Carraro (641868) Sync	Boite De Vitesses	Getriebe	Caja De Velocidades	Continued
1	6111347M92	1	Trans Assy 2ws	Transmission	Getriebe	Transmision	
2	6112772M1	1	Bracket - Remote Filter	Support Fixation	Haltearm	Pata De Fijación	
3	339124X1	2	Bolt M8-16 Z5f	Goupille	Maschschrb Metr - M8	Tornillo	
4	339374X1	2	Washer M8 -21-2 Z	Rondelle Frein - M8	Federring - M8	Arandela De Freno	
5	6110605M91	1	Filter Head - Transmission (642061)	Tête De Filtre	Filter Kopf	Cabeza De Filtro	
6	339124X1	3	Bolt M8-16 Z5f	Goupille	Maschschrb Metr - M8	Tornillo	
7	339374X1	3	Washer M8 -21-2 Z	Rondelle Frein - M8	Federring - M8	Arandela De Freno	
8	6110604M91	1	Filter-Transmission	Filtre À Huile	Filter	Filtro De Aceite	
9	835007M91	1	Elbow 90 Degree Adjust	Coude 90°	Kniestück 90°	Codo, 90°	
10	#ELBOW	1	Elbow	Elbow	Elbow	Elbow	Ref. 9
11	835024M1	1	Ring O - Boa	Joint Torique	O Ring	Junta De Tipo O	
12	6110581M91	1	Hose Assy - Remote Filter	Ensemble De Flexible	Schlauch Kpl	Flexible, Conj.	
13	835007M91	1	Elbow 90 Degree Adjust	Coude 90°	Kniestück 90°	Codo, 90°	
14	#ELBOW	1	Elbow	Elbow	Elbow	Elbow	Ref. 13
15	835024M1	1	Ring O - Boa	Joint Torique	O Ring	Junta De Tipo O	
16	835013M91	1	Connector 7/8 Jic	Raccord	Schraubanschluss	Conexión, Conj.	
17	#CONNECTOR	1	Connector	Connector	Connector	Connector	Ref. 16
18	835024M1	1	Ring O - Boa	Joint Torique	O Ring	Junta De Tipo O	
19	6110582M91	1	Hose Assy - Remote Filter	Ensemble De Flexible	Schlauch Kpl	Flexible, Conj.	
20	835013M91	1	Connector 7/8 Jic	Raccord	Schraubanschluss	Conexión, Conj.	
21	#CONNECTOR	1	Connector	Connector	Connector	Connector	Ref. 20
22	835024M1	1	Ring O - Boa	Joint Torique	O Ring	Junta De Tipo O	
23	339123X1	1	Bolt M8-20 Z5f	Boulon M8 X 20	Maschschraube M8	Perno	Spring Anchor
24	339169X1	1	Nut, Hex. - M8, Coarse	Ecrou Métrique	Mutter Metrisch	Tuerca	



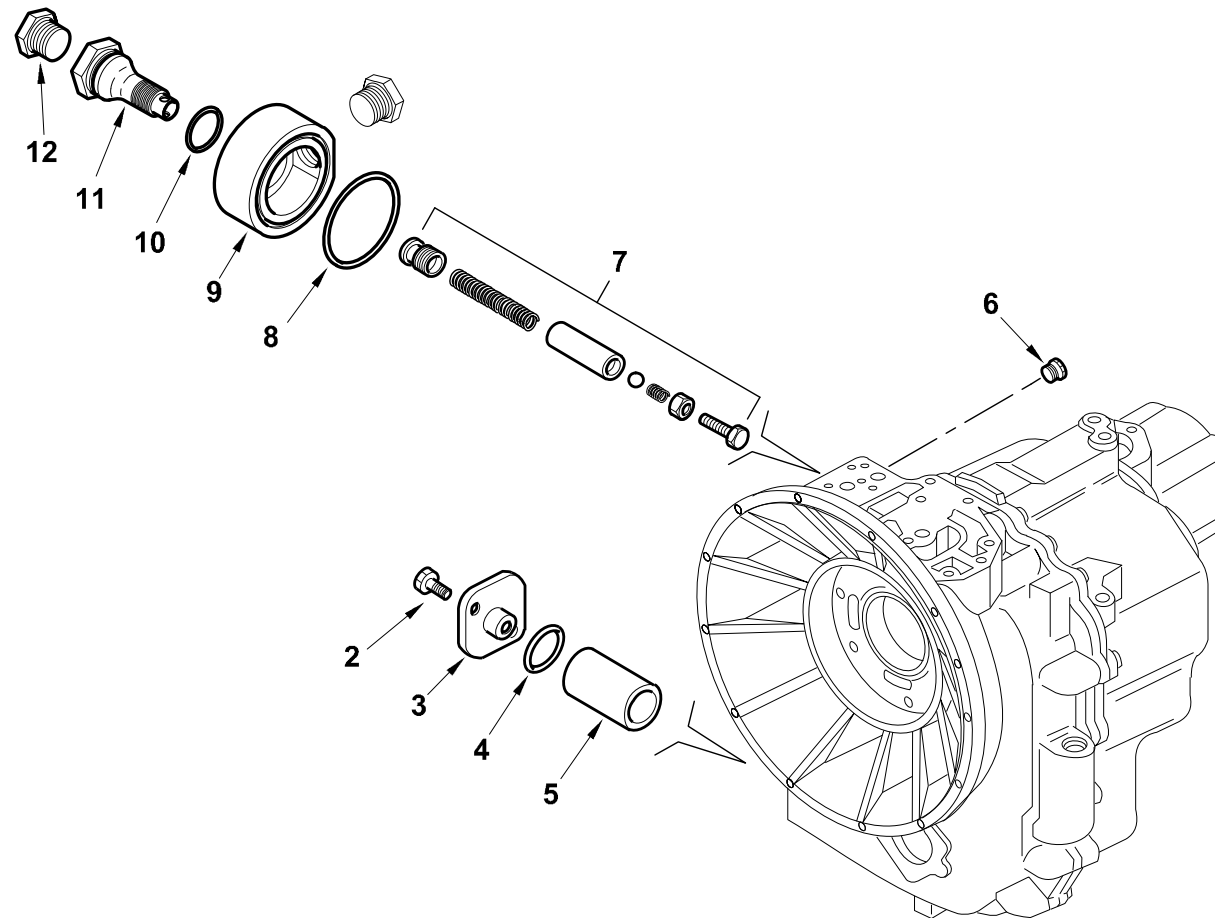
C-29005-04.1-A



Item	Part No.	Qty.	English	French	German	Spanish	Remarks
1	6110549M91	1	Trans Assy 2ws/4wd Carraro (641868) Sync	Boite De Vitesses	Getriebe	Caja De Velocidades	Continued
1	6111347M92	1	Trans Assy 2ws	Transmission	Getriebe	Transmision	
2	6194309M91	1	Pump Assembly	Pompe	Pumpe	Bomba, Conj.	
3	6194310M1	1	O Ring	Joint Torique	O Ring	Junta De Tipo O	
4	6194307M1	1	Oil Seal	Bague Etancheite	Oldichtring	Junta De Aceite	
5	6194308M1	6	Screw M8 X 60	Vis Metrique M8 X 60	Schraube Met M8 X 60	Tornillo	

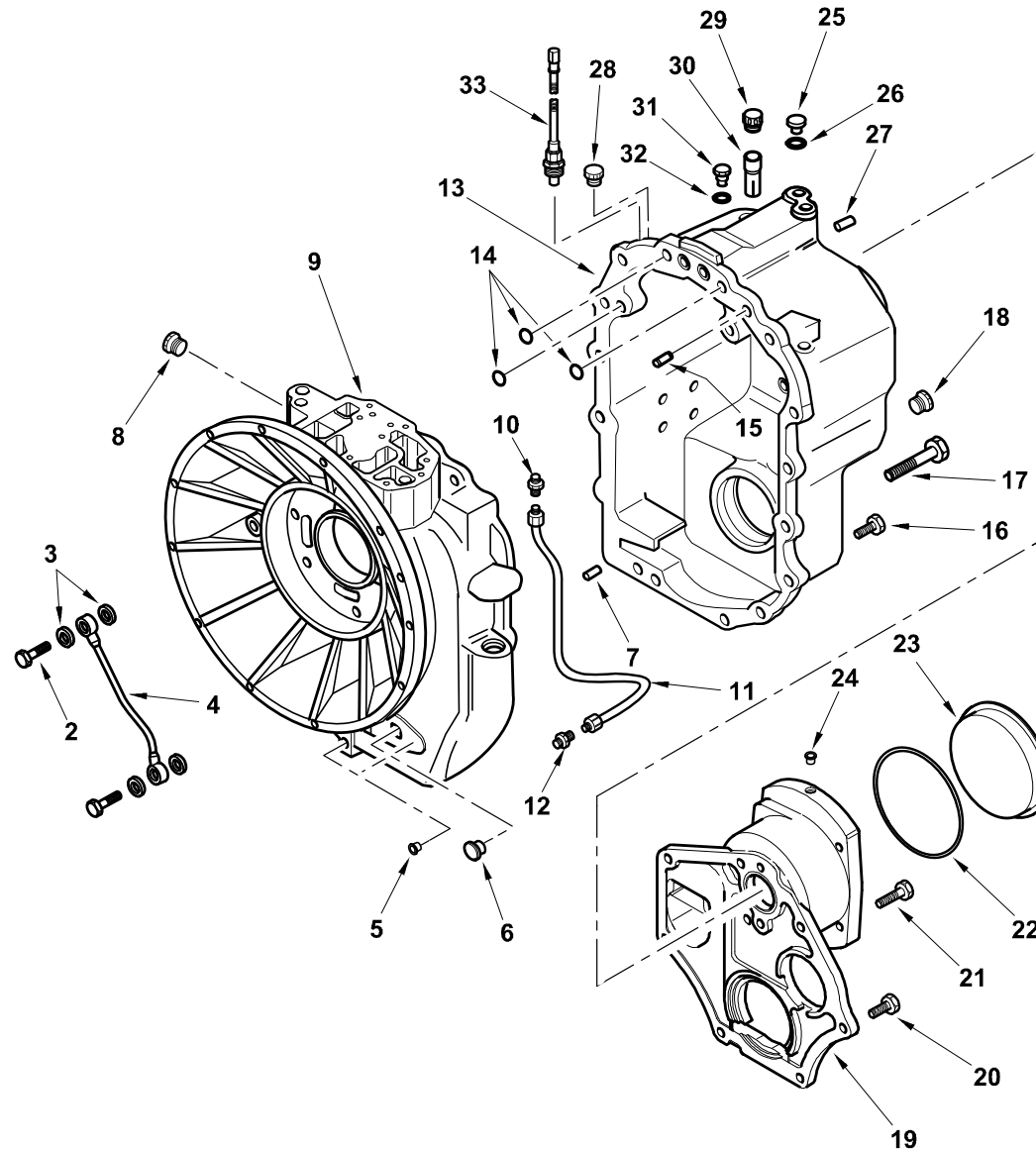


C-29005-05.1-A



Item	Part No.	Qty.	English	French	German	Spanish	Remarks
1	6110549M91	1	Trans Assy 2ws/4wd Carraro (641868) Sync	Boite De Vitesses	Getriebe	Caja De Velocidades	Continued
1	6111347M92	1	Trans Assy 2ws	Transmission	Getriebe	Transmision	
2	6194316M1	2	Bolt M8 X 18	Boulon Metrique M8	Maschschrb Metr M8	Perno	
3	6194315M1	1	Cover	Couvercle	Deckel	Tapa De Filtro	
4	6194314M1	1	O Ring	Joint Torique	O Ring	Junta De Tipo O	
5	6194313M1	1	Oil Filter	Crepine	Filtersieb	Alcachofa	
6	6194311M1	1	Plug	Bouchon	Verschstopfen	Tapón	
7	6194312M91	1	Valve Kit	Jeu Soupapes	Ventilsatz	Juego De Válvulas	
8	6194317M1	1	O Ring	Joint Torique	O Ring	Junta De Tipo O	
9	6194318M1	1	Cover	Couvercle	Deckel	Cubre Válvula	
10	6194319M1	1	O Ring	Joint Torique	O Ring	Junta De Tipo O	
11	6194320M1	1	Oil Filter Connect	Connexion	Verbindung	Conector	
12	6194321M1	2	Plug 7/8	Bouchon	Verschstopfen	Tapón	

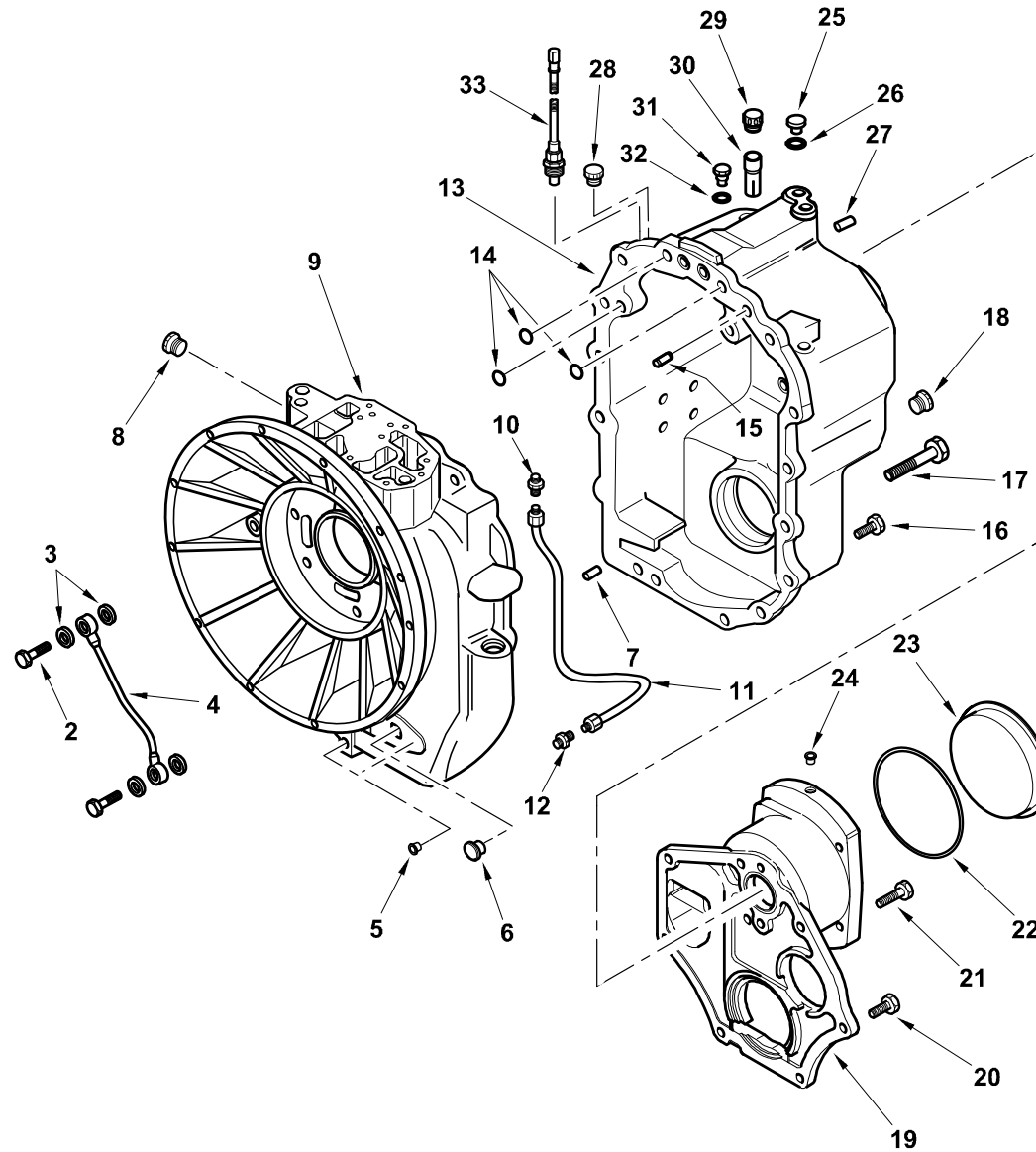
C-29005-06.1-C



Item	Part No.	Qty.	English	French	German	Spanish	Remarks
1	6110549M91	1	Trans Assy 2ws/4wd Carraro (641868) Sync	Boite De Vitesses	Getriebe	Caja De Velocidades	Continued
1	6111347M92	1	Trans Assy 2ws	Transmission	Getriebe	Transmision	
2	6194338M1	2	Bolt M14 X 1.5	Boulon Metrique M14	Maschschrb Metr M14	Perno	
3	6194339M1	4	Copper Washer	Rondelle	Unterlegscheibe	Arandela, Cobre	
4	6194340M1	1	Lubrication Pipe	Tuyau Huile Lub	Schmierolleitg	Tubo	
5	6194337M1	2	Plug D7	Bouchon D7	Verschstopfen D7	Tapón	
6	6194341M1	1	Plug D.31	Bouchon	Verschstopfen	Tapón	
7	6194330M1	1	Pin D10 X 25	Goupille D10 X 25	Bolzen D10 X 25	Pasador	
8	6194321M1	1	Plug 7/8	Bouchon	Verschstopfen	Tapón	
9	6194323M1	1	Front Housing	Carter	Gehause	Cárter	
9	6194728M1	1	Housing - Front	Carter	Gehause	Cárter	
10	6194731M91	1	Fitting - Pipe	Montage	Anschlverschrbg	Unión	
11	6194730M91	1	Pipe	Tuyo	Leitung Kpl	Tubo	
12	6194731M91	1	Fitting - Pipe	Montage	Anschlverschrbg	Unión	
13	6194324M1	1	Rear Housing	Carter	Gehause	Cárter	
14	6194325M1	3	O Ring	Joint Torique	O Ring	Junta De Tipo O	
15	6194330M1	1	Pin D10 X 25	Goupille D10 X 25	Bolzen D10 X 25	Pasador	
16	6194334M1	13	Bolt M10 X 30	Boulon M10 X 30	Maschschraube	Perno	
17	6194336M1	2	Bolt M10 X 150	Boulon M10 X 150	Maschschraube M10	Perno	
18	3523632M1	1	Plug	Bouchon	Stopfen	Tapón	
19	6194335M1	1	Cover	Couvercle	Deckel	Tapa Trasera	
19	6194729M1	1	Cover	Couvercle	Deckel	Tapa Trasera	
20	6194334M1	6	Bolt M10 X 30	Boulon M10 X 30	Maschschraube	Perno	
21	6194333M1	2	Bolt M10 X 45	Boulon M10 X 45	Maschschraube	Perno	
22	6194332M1	1	O Ring	Joint Torique	O Ring	Junta De Tipo O	
23	6194331M1	1	Plug D127,5	Bouchon D127,5	Verschstopfen	Tapón	
24	6194337M1	2	Plug D7	Bouchon D7	Verschstopfen D7	Tapón	
25	6194328M1	2	Plug	Bouchon	Verschstopfen	Tapón	
26	6194329M1	2	Copper Washer 10 X 14 X 1.5	Rondelle	Unterlegscheibe	Arandela, Cobre	
27	6194330M1	1	Pin D10 X 25	Goupille D10 X 25	Bolzen D10 X 25	Pasador	

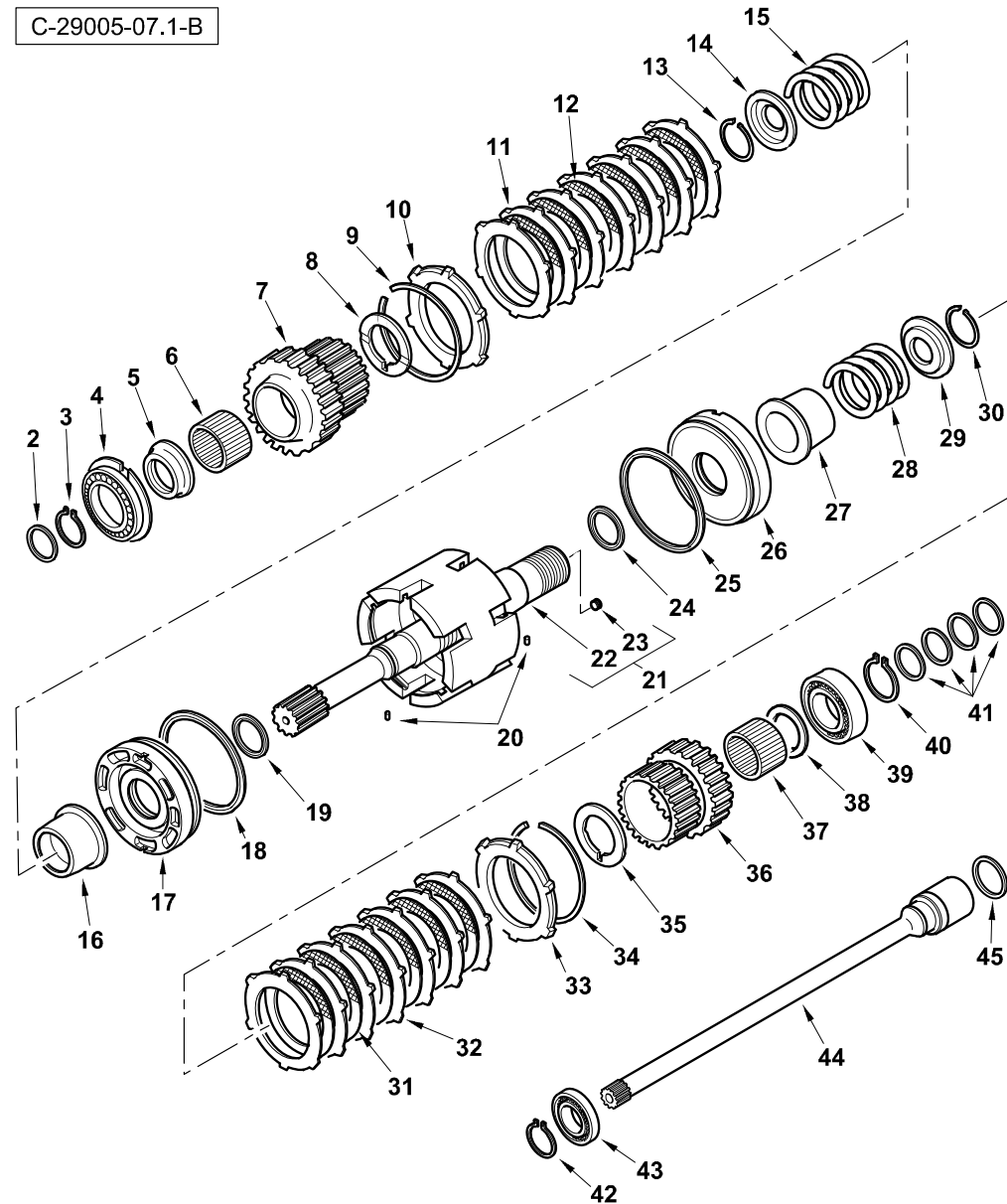


C-29005-06.1-C



Item	Part No.	Qty.	English	French	German	Spanish	Remarks
28	6194321M1	1	Plug 7/8	Bouchon	Verschistopfen	Tapón	
29	6194326M1	1	Breather	Reni•ard	Entlufte	Ventilador Del Cáter	
30	6194327M1	1	Breather Pipe	Tuyau Reni•ard	Entlufteleitg	Tubo	
31	6194328M1	1	Plug	Bouchon	Verschistopfen	Tapón	
32	6194329M1	1	Copper Washer 10 X 14 X 1.5	Rondelle	Unterlegscheibe	Arandela, Cobre	
33	6194342M1	1	Oil Temp Sensor	Detecteur	Sensor	Captador	

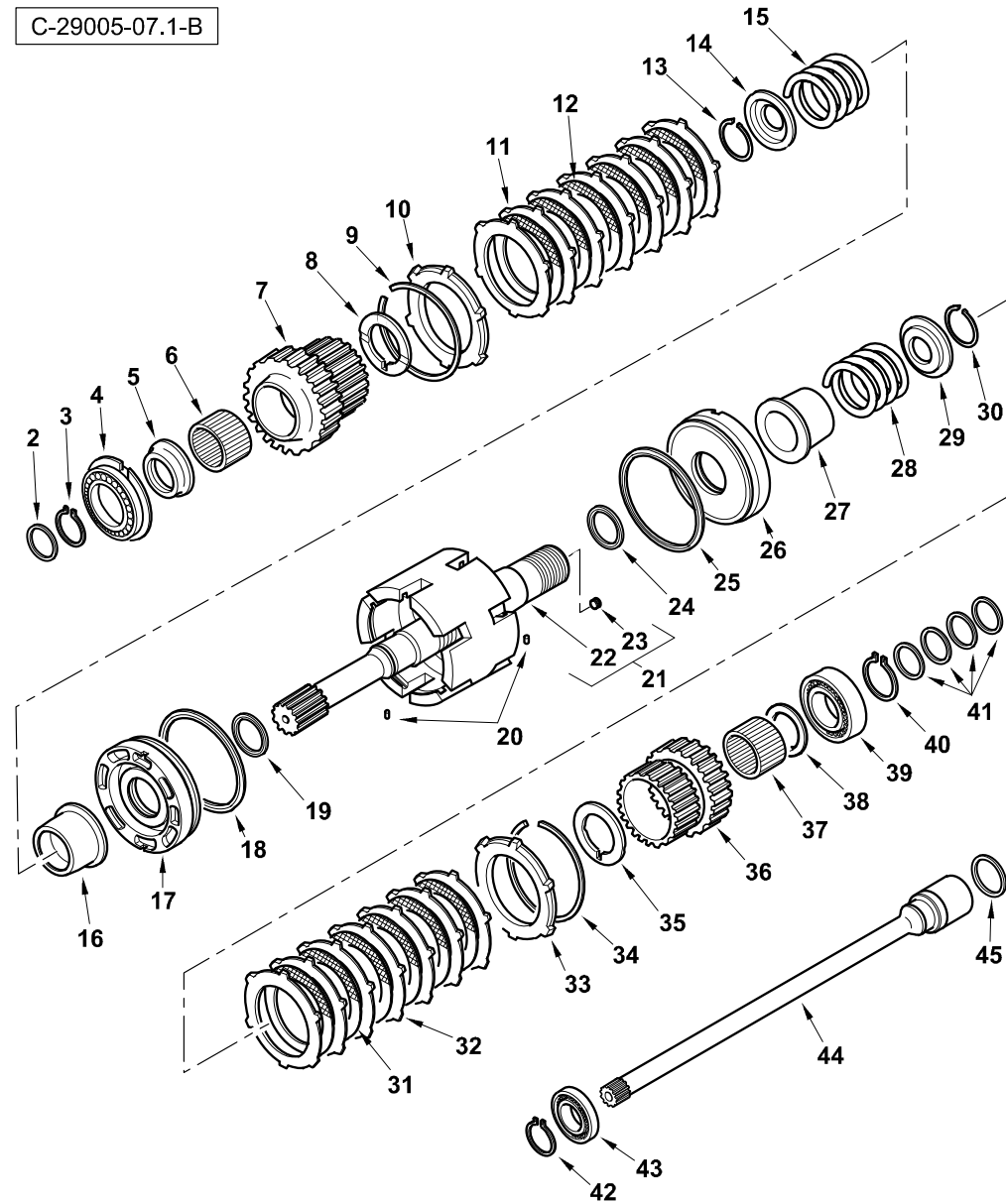
C-29005-07.1-B



Item	Part No.	Qty.	English	French	German	Spanish	Remarks
1	6110549M91	1	Trans Assy 2ws/4wd Carraro (641868) Sync	Boite De Vitesses	Getriebe	Caja De Velocidades	Continued
1	6111347M92	1	Trans Assy 2ws	Transmission	Getriebe	Transmision	
2	6194343M1	1	Seal Ring D45	Joint Étanchéité	Dichtring	Anillo, Estanqueidad	
3	6190292M1	1	Circlip - Brakes	Segment D'arret	Sicherungsring	Anillo De Resorte	
4	6194345M1	1	Bearing	Coussinet	Lager	Cojinete	
5	6194346M1	1	Spacer 68 X 45 X 105	Entretoise	Abstandstück	Traviesa	
6	6194347M1	1	Needle Bearing Bush	Douille	Lagerbuchse	Cojinete, Agujas	
7	6194348M1	1	Gear Z29	Engrenage	Zahnrad	Piñón	
8	6194351M1	1	Thrust Washer 60 X 50 X 4	Rondelle Butee	Anlaufscheibe	Arandela De Tope	
9	6194349M1	1	Lockring	Anneau	Ring	Anillo De Retención	
10	6194350M1	1	Clutch Plt Lockring	Bague Serrage	Sicherungsring	Placa De Bloqueo	
11	6194352M1	7	Clutch Drive Plate	Disque D'entrainemen	Mitnehmerscheibe	Disco Accionamiento	
12	6194353M1	6	Clutch Plate	Plateau	Reibungsplatte	Plato	
13	6194495M1	1	Lockring	Bague Serrage	Sicherungsring	Anillo De Retención	
14	6194355M1	1	Lock Spring Cover	Cuvette Ressort	Federtasse	Cubeta Muelle	
15	6194354M1	1	Spring	Ressort	Feder	Muelle	
16	6194357M1	1	Clutch Sleeve	Manchon	Hulse	Camisa	
17	6194358M1	1	Clutch Piston	Piston	Kolben	Pistón	
18	6194359M1	1	Seal Ring	Bague D'etancheite	Dichtungsring	Anillo, Estanqueidad	
19	6194360M1	1	Seal Ring D55	Bague D'etancheite	Dichtungsring	Anillo, Estanqueidad	
20	6194365M1	2	Split Pin D3 X 8	Goupille Fendue	Spaltbolzen	Pasador Elástico	
21	6194496M91	1	Inner Shaft Kit	Arbre	Welle Komplett	Árbol, Conj.	
22	#SHAFT	1	Shaft	Shaft	Shaft	Shaft	Ref. 21
23	6194497M1	4	Rivet	Rivet	Niete	Remache	
24	6194360M1	1	Seal Ring D55	Bague D'etancheite	Dichtungsring	Anillo, Estanqueidad	
25	6194359M1	1	Seal Ring	Bague D'etancheite	Dichtungsring	Anillo, Estanqueidad	
26	6194358M1	1	Clutch Piston	Piston	Kolben	Pistón	
27	6194357M1	1	Clutch Sleeve	Manchon	Hulse	Camisa	
28	6194354M1	1	Spring	Ressort	Feder	Muelle	
29	6194355M1	1	Lock Spring Cover	Cuvette Ressort	Federtasse	Cubeta Muelle	

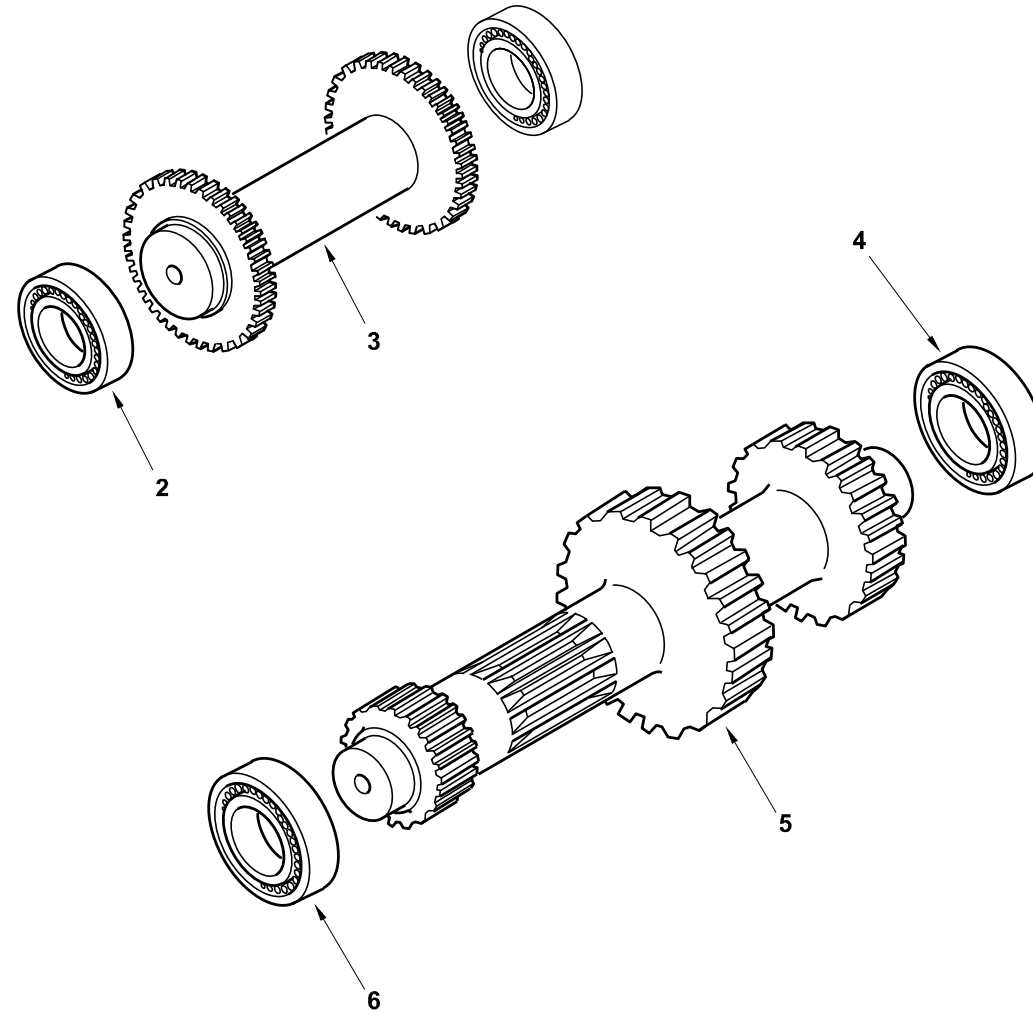


C-29005-07.1-B



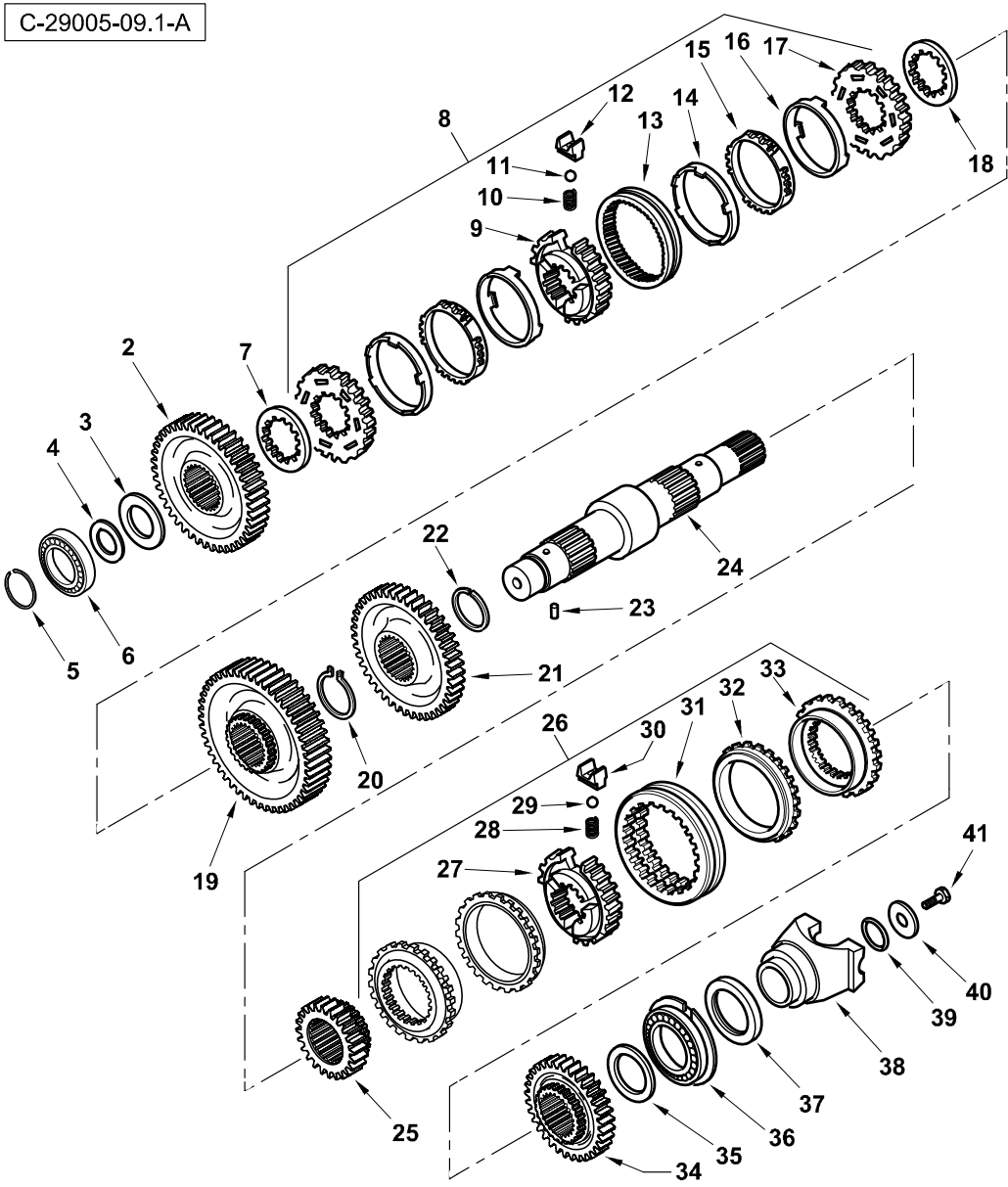
Item	Part No.	Qty.	English	French	German	Spanish	Remarks
30	6194495M1	1	Lockring	Bague Serrage	Sicherungsring	Anillo De Retención	
31	6194353M1	6	Clutch Plate	Plateau	Reibungsplatte	Plato	
32	6194352M1	7	Clutch Drive Plate	Disque D'entrainemen	Mitnehmerscheibe	Disco Accionamiento	
33	6194350M1	1	Clutch Plt Lockring	Bague Serrage	Sicherungsring	Placa De Bloqueo	
34	6194349M1	1	Lockring	Anneau	Ring	Anillo De Retención	
35	6194351M1	1	Thrust Washer 60 X 50 X 4	Rondelle Butee	Anlaufscheibe	Arandela De Tope	
36	6194362M1	1	Gear Z29	Engrenage	Zahnrad	Piñón	
37	6194347M1	1	Needle Bearing Bush	Douille	Lagerbuchse	Cojinete, Agujas	
38	6194351M1	1	Thrust Washer 60 X 50 X 4	Rondelle Butee	Anlaufscheibe	Arandela De Tope	
39	6194364M1	1	Bearing	Coussinet	Lager	Cojinete	
40	6194356M1	1	Lockring	Anneau	Ring	Anillo De Retención	4 Bolt Pump
40	6190292M1	1	Circlip - Brakes	Segment D'arret	Sicherungsring	Anillo De Resorte	
41	6194363M1	4	Seal D50	Joint Étanchéité	Dichtring	Junta	
42	6194368M1	1	Snap Ring	Fermeoir	Sprengring	Anillo De Resorte	
43	6194367M1	1	Bearing	Coussinet	Lager	Cojinete	
44	6194732M1	1	Shaft - Transmission Pto	Arbre	Welle	Árbol	
44	6194366M1	1	Pto Shaft	Arbre Pdf	Pto Gelwelle	Árbol	
45	6194343M1	1	Seal Ring D45	Joint Étanchéité	Dichtring	Anillo, Estanqueidad	

C-29005-08.1-A



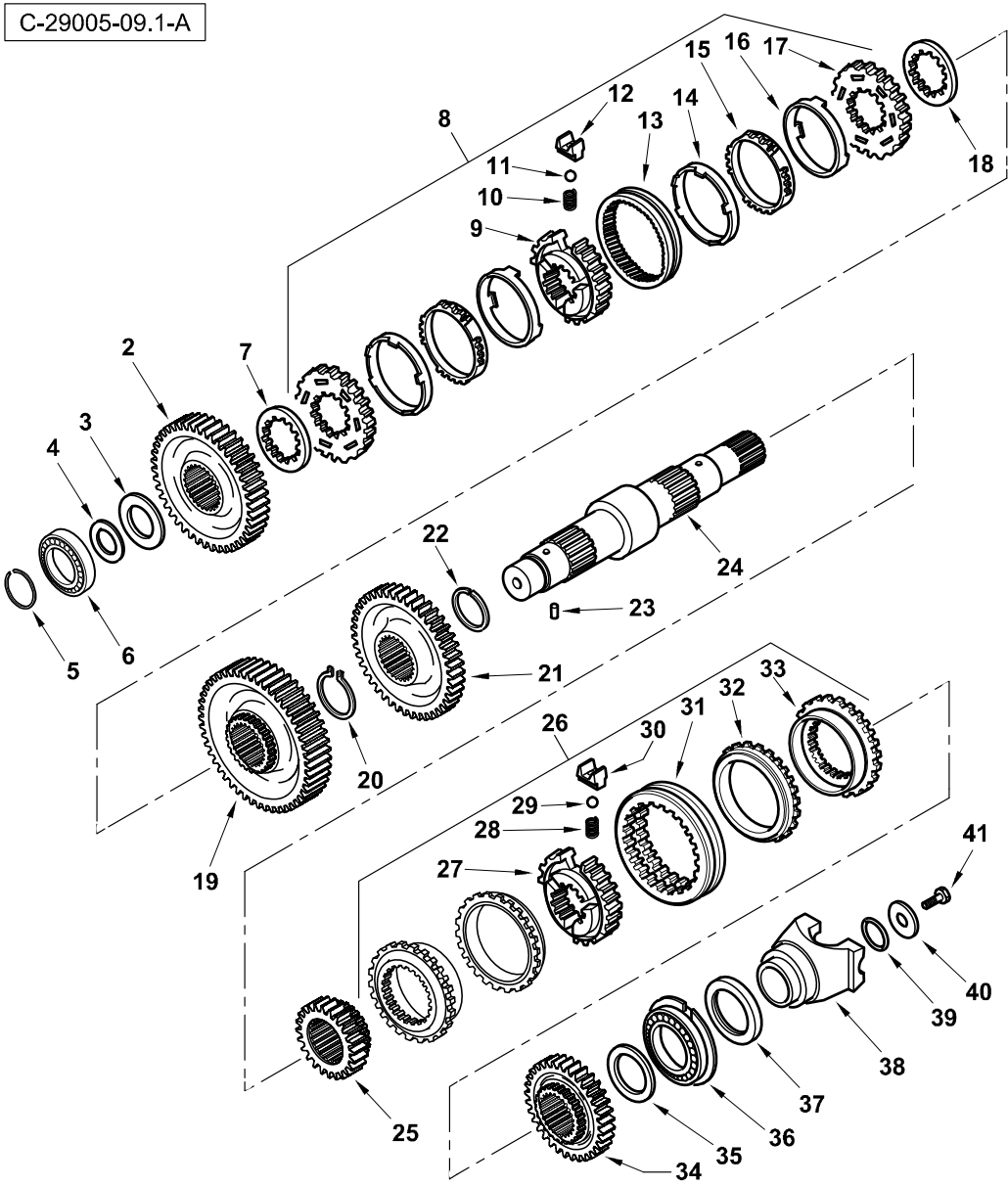
Item	Part No.	Qty.	English	French	German	Spanish	Remarks
1	6111347M92	1	Trans Assy 2ws	Transmission	Getriebe	Transmision	
1	6110549M91	1	Trans Assy 2ws/4wd Carraro (641868) Sync	Boite De Vitesses	Getriebe	Caja De Velocidades	Continued
2	6194369M1	2	Bearing	Coussinet	Lager	Cojinete	
3	6194370M1	1	Reverse Shaft Z27	Arbre	Welle	Árbol	
4	6194371M1	1	Bearing	Coussinet	Lager	Cojinete	
5	6194372M1	1	Primary Shaft Z17/39/28	Arbre	Welle	Árbol	
6	6194373M1	1	Bearing	Coussinet	Lager	Cojinete	





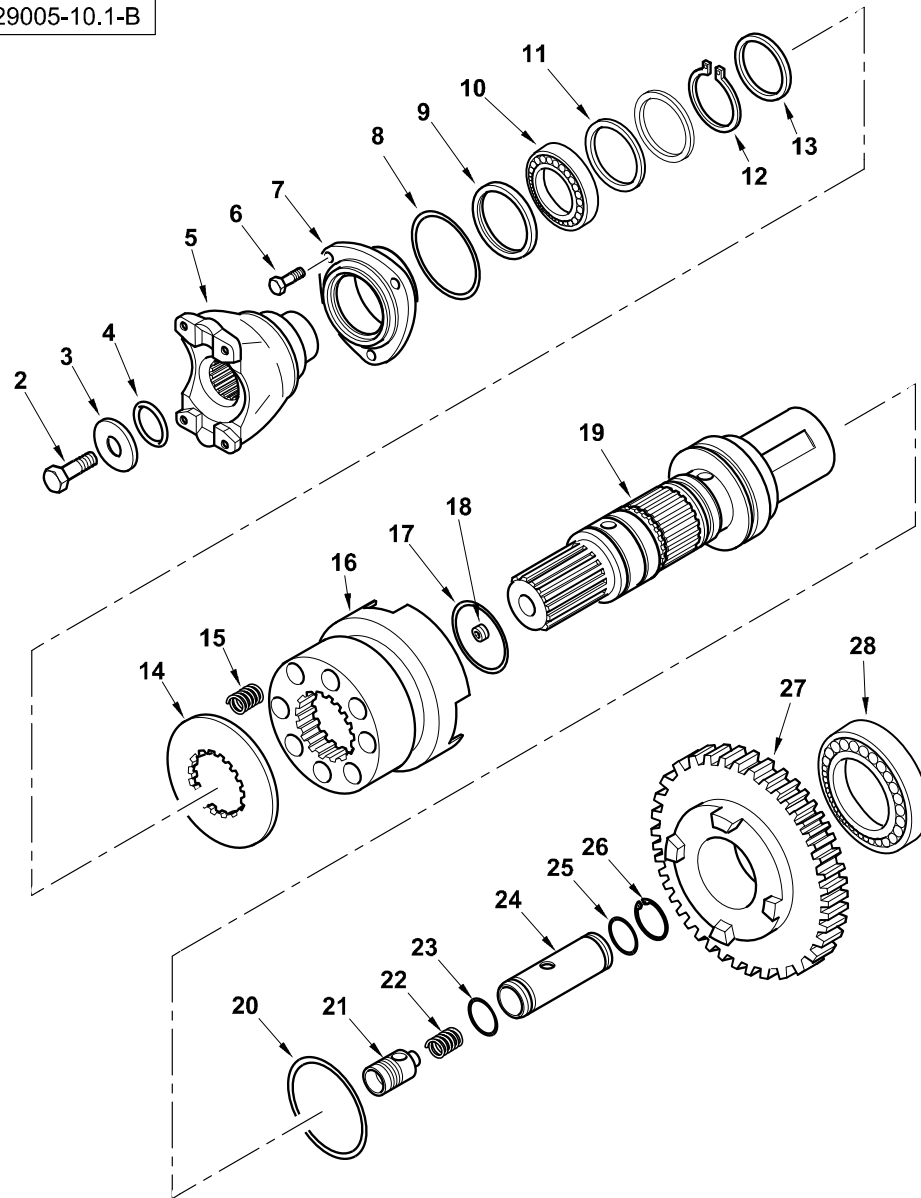
Item	Part No.	Qty.	English	French	German	Spanish	Remarks
1	6111347M92	1	Trans Assy 2ws	Transmission	Getriebe	Transmision	
1	6110549M91	1	Trans Assy 2ws/4wd Carraro (641868) Sync	Boite De Vitesses	Getriebe	Caja De Velocidades	Continued
2	6194374M1	1	Gear Z=44	Engrenage	Zahnrad	Piñón	
3	6194375M1	1	Thrust Washer	Rondelle Butee	Anlaufscheibe	Arandela De Tope	
4	6194379M1	0	Shim 0.50mm	Cale Reglage 0.50mm	Einstellblech 0.50mm	Calce	
4	6194376M1	0	Shim 0.05mm	Cale Reglage 0.05mm	Einstellblech 0.05mm	Calce	
4	6194377M1	0	Shim 0.10mm	Cale Reglage 0.10mm	Einstellblech 0.10mm	Calce	
4	6194378M1	0	Shim 0.30mm	Cale Reglage 0.30mm	Einstellblech 0.30mm	Calce	
5	6194380M1	1	Lock Ring D.40	Bague Serrage	Sicherungsring	Anillo De Retención	
6	6194373M1	1	Bearing	Coussinet	Lager	Cojinete	
7	6194381M1	1	Spacer	Entretoise	Abstandstück	Traviesa	
8	6194391M91	1	Synchronising Ring	Jeu De Synchro	Synchransatz	Juego De Sincro	
9	6194385M1	1	Hub	Moyeu	Nabe	Cubo	
10	6194384M1	3	Spring	Ressort	Feder	Muelle	
11	6194389M1	3	Ball	Bille	Kugel	Bola	
12	6194388M1	3	Lock Spring Plate	Plaque D'arret	Sichrungsblech	Placa De Bloqueo	
13	6194390M1	1	Sleeve	Manchon	Hulse	Camisa	
14	6194382M1	2	Tapered Friction Ring	Anneau	Ring	Aro	
15	6194386M1	2	Sintered Ring	Anneau	Ring	Aro	
16	6194387M1	2	Steel Ring	Anneau	Ring	Aro	
17	6194383M1	2	Synchronizing Ring	Anneau	Ring	Anillo De Sincro	
18	6194381M1	1	Spacer	Entretoise	Abstandstück	Traviesa	
19	6194392M1	1	Gear Z=50	Engrenage	Zahnrad	Piñón	
20	6194413M1	1	Lock Ring D70	Anneau	Ring	Anillo De Retención	
21	6194412M1	1	Gear Z45	Engrenage	Zahnrad	Piñón	
22	6194411M1	1	Lock Ring D70	Anneau	Ring	Anillo De Retención	
23	6194365M1	1	Split Pin D3 X 8	Goupille Fendue	Spaltbolzen	Pasador Elástico	
24	6194394M1	1	Secondary Shaft	Arbre	Welle	Árbol	
25	6194393M1	1	Gear Z=23	Engrenage	Zahnrad	Piñón	
26	6194402M91	1	Synchronizing Kit	Jeu De Synchro	Synchransatz	Juego De Sincro	





Item	Part No.	Qty.	English	French	German	Spanish	Remarks
27	6194396M1	1	Hub	Moyeu	Nabe	Cubo	
28	6194400M1	3	Spring	Ressort	Feder	Muelle	
29	6194399M1	3	Ball	Bille	Kugel	Bola	
30	6194398M1	3	Plate	Plaque	Platte	Placa De Bloqueo	
31	6194401M1	1	Sleeve	Manchon	Hulse	Camisa	
32	6194397M1	2	Tapered Friction Ring	Anneau	Ring	Junquillo	
33	6194395M1	2	Clutch Ring	Anneau	Ring	Aro	
34	6194410M1	1	Gear Z=33	Engrenage	Zahnrad	Piñón	
35	6194409M1	1	Thrust Washer	Rondelle Butee	Anlaufscheibe	Arandela De Tope	
36	6194408M1	1	Bearing	Coussinet	Lager	Cojinete	
37	6194407M1	1	Oil Seal	Bague Etancheite	Oldichtring	Junta De Aceite	
38	6194406M1	1	Flange	Flasque	Flansch	Brida De Unión	
39	6194405M1	1	O Ring	Joint Torique	O Ring	Junta De Tipo O	
40	6194404M1	1	Washer	Rondelle	Unterlegscheibe	Arandela	
41	6194403M1	1	Bolt M12 X 25 Self Lock	Boulon M12 X 25	Maschschraube	Perno	

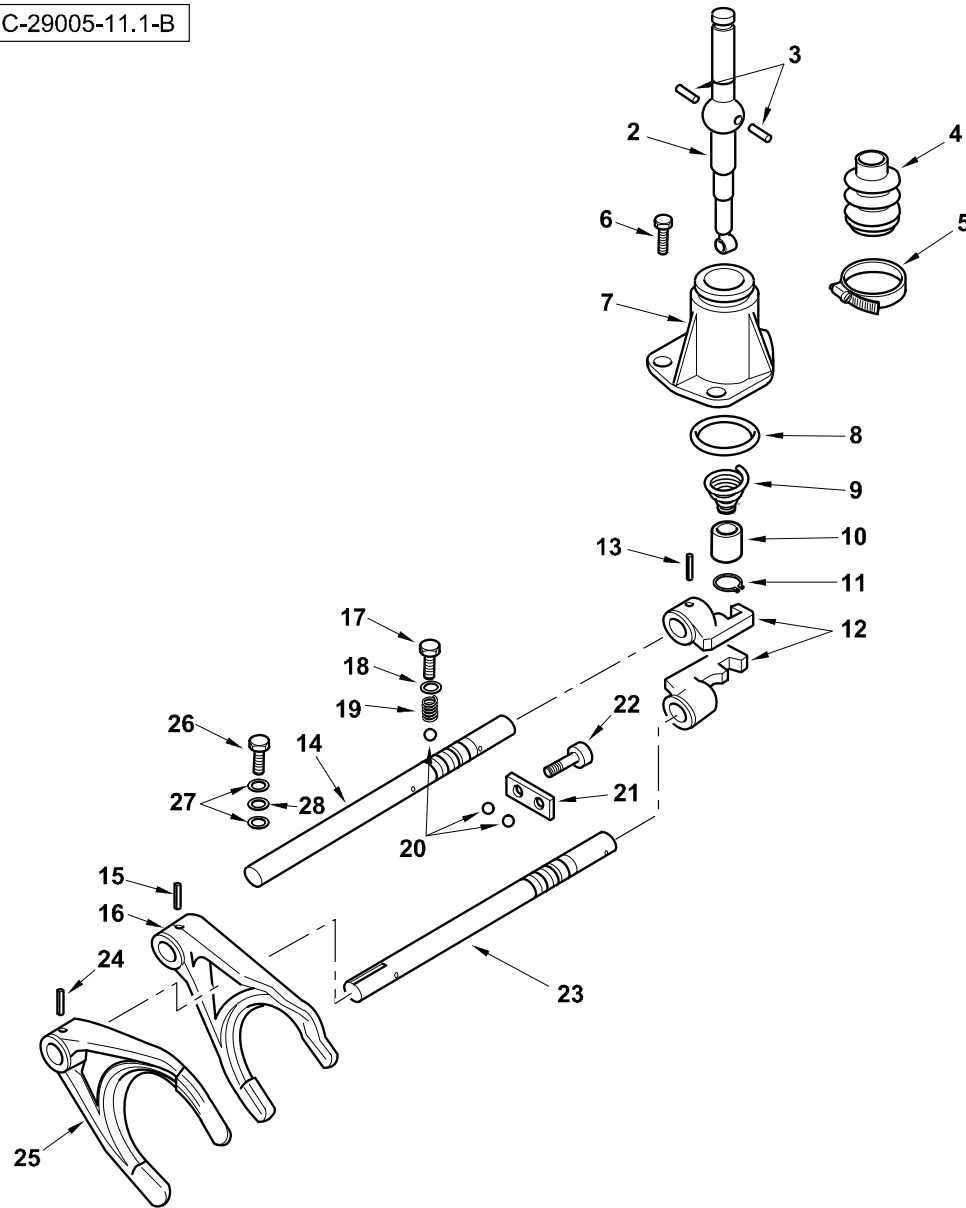
C-29005-10.1-B



Item	Part No.	Qty.	English	French	German	Spanish	Remarks
1	6111347M92	1	Trans Assy 2ws	Transmission	Getriebe	Transmision	
1	6110549M91	1	Trans Assy 2ws/4wd Carraro (641868) Sync	Boite De Vitesses	Getriebe	Caja De Velocidades	Continued
2	6194403M1	1	Bolt M12 X 25 Self Lock	Boulon M12 X 25	Maschschraube	Perno	Self Lock
3	6194414M1	1	Washer 44 X 12.5 X 5	Rondelle	Unterlegscheibe	Arandela	
4	6193384M1	1	O-Ring - Diff. Lock	Joint Torique	O-Ring	Junta De Tipo O	
5	6194417M1	1	Flange	Flasque	Flansch	Brida De Unión	
6	6194416M1	3	Bolt M8 X 22	Boulon M8 X 22	Maschschraube M8x22	Perno	
7	6194415M1	1	Front Cover	Couvercle	Deckel	Tapa	
8	6194419M1	1	O Ring	Joint Torique	O Ring	Junta De Tipo O	
9	6194418M1	1	Seal Ring 50 X 65 X 8	Bague D'etancheite	Dichtungsring	Anillo, Estanqueidad	
10	6194369M1	1	Bearing	Coussinet	Lager	Cojinete	
11	6194343M1	2	Seal Ring D45	Joint Étanchéité	Dichtring	Anillo, Estanqueidad	
12	6193699M1	1	Circlip - Rear Drive Shaft	Segment D ' Arrêt	Sicherungsring	Anillo De Resorte	
13	6194420M1	1	Washer	Rondelle	Unterlegscheibe	Arandela	
14	6194428M1	1	Spacer	Entretoise	Abstandstück	Traviesa	
15	6194427M1	8	Spring	Ressort	Feder	Muelle	
16	6194426M1	1	Sleeve	Manchon	Hulse	Camisa	
17	6194425M1	2	O Ring	Joint Torique	O Ring	Junta De Tipo O	
18	3523998M1	1	Plug M10	Bouchon	Stopfen	Tapón	
19	6194424M1	1	Output Shaft	Arbre	Welle	Árbol	
20	6194423M1	1	O Ring	Joint Torique	O Ring	Junta De Tipo O	
21	6194722M91	1	Valve	Soupape	Ventil	Válvula, Conj.	
22	6194427M1	1	Spring	Ressort	Feder	Muelle	
23	6194720M1	1	O - Ring	Joint Torique	O Ring	Junta De Tipo O	
24	6194721M1	1	Cylinder	Cylindre	Zylinder	Cilindro	
25	6194720M1	1	O - Ring	Joint Torique	O Ring	Junta De Tipo O	
26	6194719M1	1	Ring - Snap	Fermeoir	Sprengring	Anillo De Resorte	
27	6194422M1	1	Gear Z=36	Engrenage	Zahnrad	Piñón	
28	6194421M1	1	Bearing	Coussinet	Lager	Cojinete	

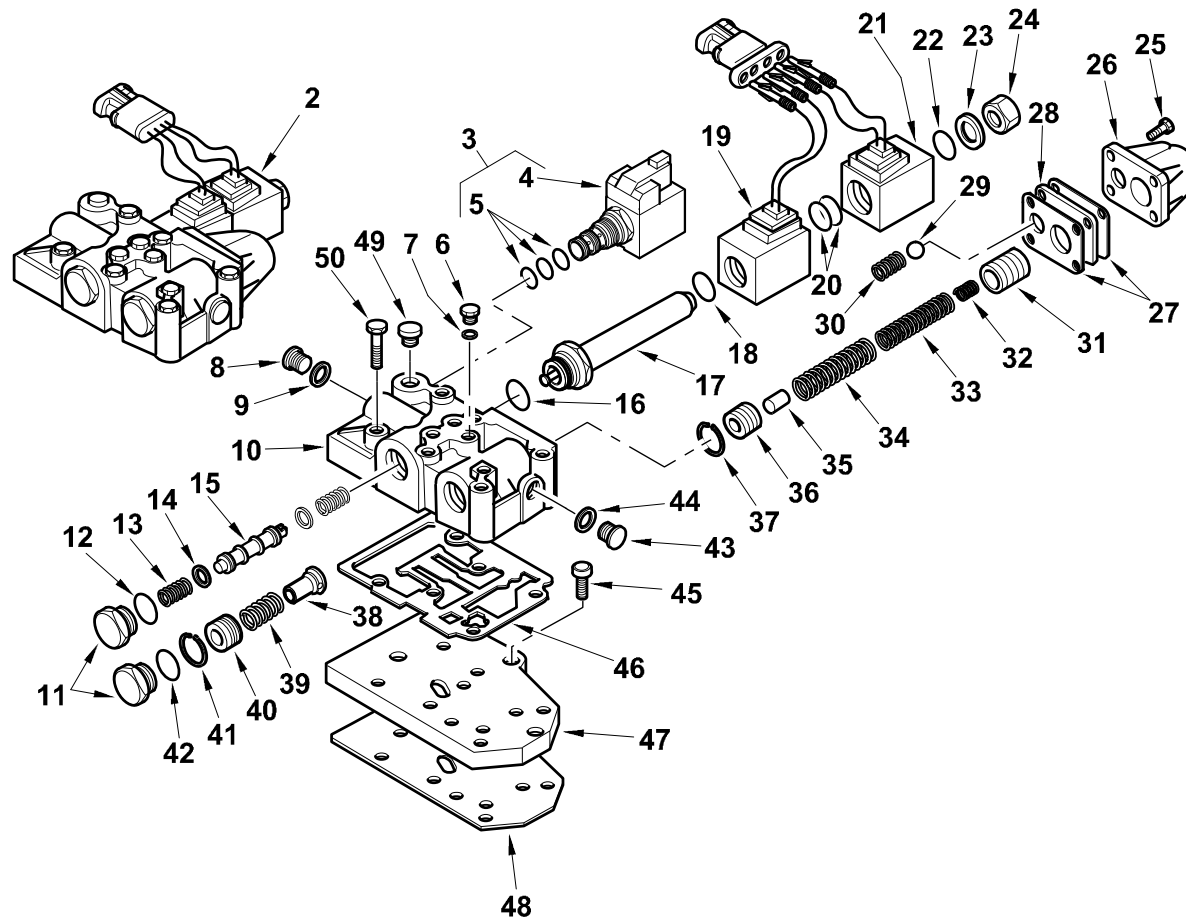


C-29005-11.1-B



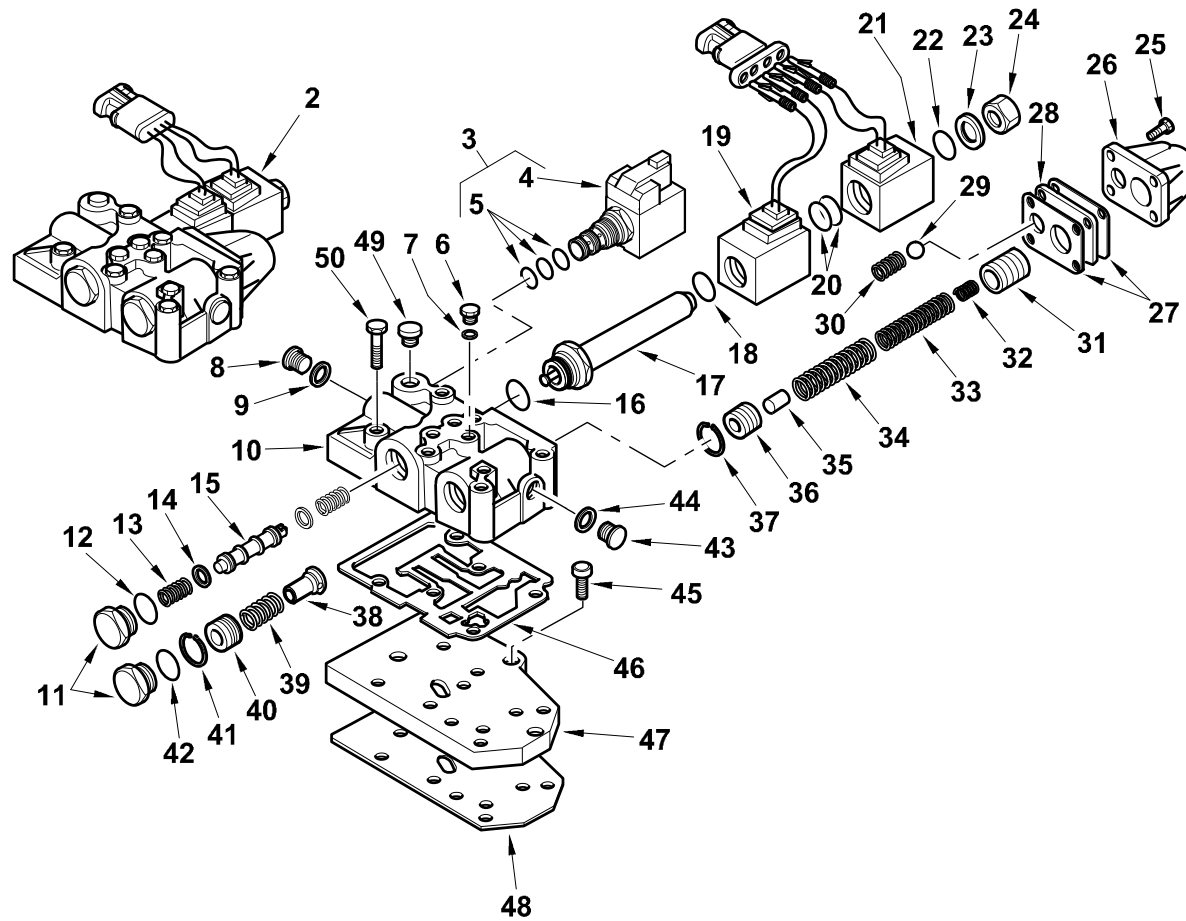
Item	Part No.	Qty.	English	French	German	Spanish	Remarks
1	6111347M92	1	Trans Assy 2ws	Transmission	Getriebe	Transmision	
1	6110549M91	1	Trans Assy 2ws/4wd Carraro (641868) Sync	Boite De Vitesses	Getriebe	Caja De Velocidades	Continued
2	6194436M1	1	Control Lever	Levier	Hebel	Palanca De Mando	
3	6194437M1	2	Pin D6 X 14	Goupille D6 X 14	Bolzon D6 X 14	Pasador	
4	6194438M1	1	Boot	Coffre	Schutzkappe	Fuelle	
5	6194439M1	1	Clamp	Collier	Halteschelle	Argolla De Cierre	
6	6194434M1	3	Bolt M8 X 25	Boulon M8 X 25	Maschschraube	Perno	
7	6194435M1	1	Cover	Cache	Abdeckung	Tapa	
8	6194440M1	1	O Ring	Joint Torique	O Ring	Junta De Tipo O	
9	6194441M1	1	Spring	Ressort	Feder	Muelle	
10	6194442M1	1	Bush	Douille	Büchse	Casquillo	
11	6194443M1	1	Snap Ring D17	Fermeoir	Sprengring	Anillo De Resorte	
12	6194444M1	2	Shifter	Selecteur	Wahlschalter	Selector	
13	6194447M1	2	Split Pin 6 X 30	Goupille Fendue	Spaltbolzen	Pasador	
14	6194429M1	1	Shifter	Rail	Schiene	Carril	
15	6194447M1	1	Split Pin 6 X 30	Goupille Fendue	Spaltbolzen	Pasador	
16	6194449M1	1	Drive Fork	Fourchette	Schaltgabel	Horquilla	
17	6194431M1	2	Bolt	Boulon	Maschschraube	Perno	
18	6194430M1	2	Washer 12 X 20 X 1.5	Rondelle	Unterlegscheibe	Arandela	
19	6194432M1	2	Spring	Ressort	Feder	Muelle	
20	6194433M1	4	Ball D10	Bille D10	Kugel D10	Bola	
21	6194450M1	1	Plate	Plaque	Platte	Placa	
22	6194445M1	2	Bolt M10 X 20	Boulon M10 X 20	Maschschraube M10	Perno	
23	6194446M1	1	Shifter	Rail	Schiene	Carril	
24	6194447M1	1	Split Pin 6 X 30	Goupille Fendue	Spaltbolzen	Pasador	
25	6194448M1	1	Drive Fork	Fourchette	Schaltgabel	Horquilla	
26	6194837M1	1	Screw	Vis	Schraube	Tornillo	
27	6194838M1	2	Washer - Copper	Rondelle	Scheibe	Arandela, Cobre	
28	6194839M1	1	Washer - Steel	Rondelle	Scheibe	Arandela	

C-29005-12.1-A



Item	Part No.	Qty.	English	French	German	Spanish	Remarks
1	6110549M91	1	Trans Assy 2ws/4wd Carraro (641868) Sync	Boite De Vitesses	Getriebe	Caja De Velocidades	Continued
2	6194451M91	1	Valve - Control	Valve Commande	Steuerventil	Distribuidor	
3	6194452M91	1	Electro-Valve	Electrovalve	Magnetventil	Electroválvula	
4	#VALVE	1	Valve	Soupape	Ventil	Válvula	Ref. 3
5	6194453M91	1	Seal Kit	Jeu Etancheite	Dichtringsatz	Juego De Juntas	
6	6194328M1	4	Plug	Bouchon	Verschstopfen	Tapón	
7	6194329M1	4	Copper Washer 10 X 14 X 1.5	Rondelle	Unterlegscheibe	Arandela, Cobre	
8	6194454M1	1	Plug	Bouchon	Verschstopfen	Tapón	
9	6194455M1	1	Copper Washer	Rondelle Cuivre	Kupferscheibe	Arandela, Cobre	
10	6194456M1	1	Distributor Body	Corps Distributeur	Steuerventilgeh	Cuerpo De Válvula	
11	6194461M1	2	Plug M26 X 1.5	Bouchon M26 X 1.5	Verschstopfen M26	Tapón	
12	6194460M1	1	O Ring	Joint Torique	O Ring	Junta De Tipo O	
13	6194457M1	2	Spring	Ressort	Feder	Muelle	
14	6194458M1	2	Washer	Rondelle	Unterlegscheibe	Arandela	
15	6194459M1	1	Piston	Piston	Kolben	Cajoncillo	
16	6194460M1	1	O Ring	Joint Torique	O Ring	Junta De Tipo O	
17	6194486M1	1	Solenoid Pipe	Canalisation	Rohrleitung	Tubo	
18	6194480M1	1	O Ring	Joint Torique	O Ring	Junta De Tipo O	
19	6194483M1	1	Solenoid	Electroaimant	Magnetspule	Magnetspule	
20	6194480M1	2	O Ring	Joint Torique	O Ring	Junta De Tipo O	
21	6194483M1	1	Solenoid	Electroaimant	Magnetspule	Magnetspule	
22	6194480M1	1	O Ring	Joint Torique	O Ring	Junta De Tipo O	
23	6194481M1	1	Washer	Rondelle	Unterlegscheibe	Arandela	
24	6194482M1	1	Plug	Bouchon	Verschstopfen	Tapón	
25	6194478M1	4	Bolt M6 X 20	Boulon M6 X 20	Maschschraube M6	Perno	
26	6194479M1	1	Valve Cover	Cache Culbuteurs	Ventildeckel	Cubre Válvula	
27	6194476M1	2	Plate Gasket	Joint	Dichtscheibe	Empaquetadura	
28	6194477M1	1	Plate	Plaque	Platte	Placa	
29	6194485M1	1	Ball	Bille	Kugel	Bola	
30	6194484M1	1	Spring	Ressort	Feder	Muelle	

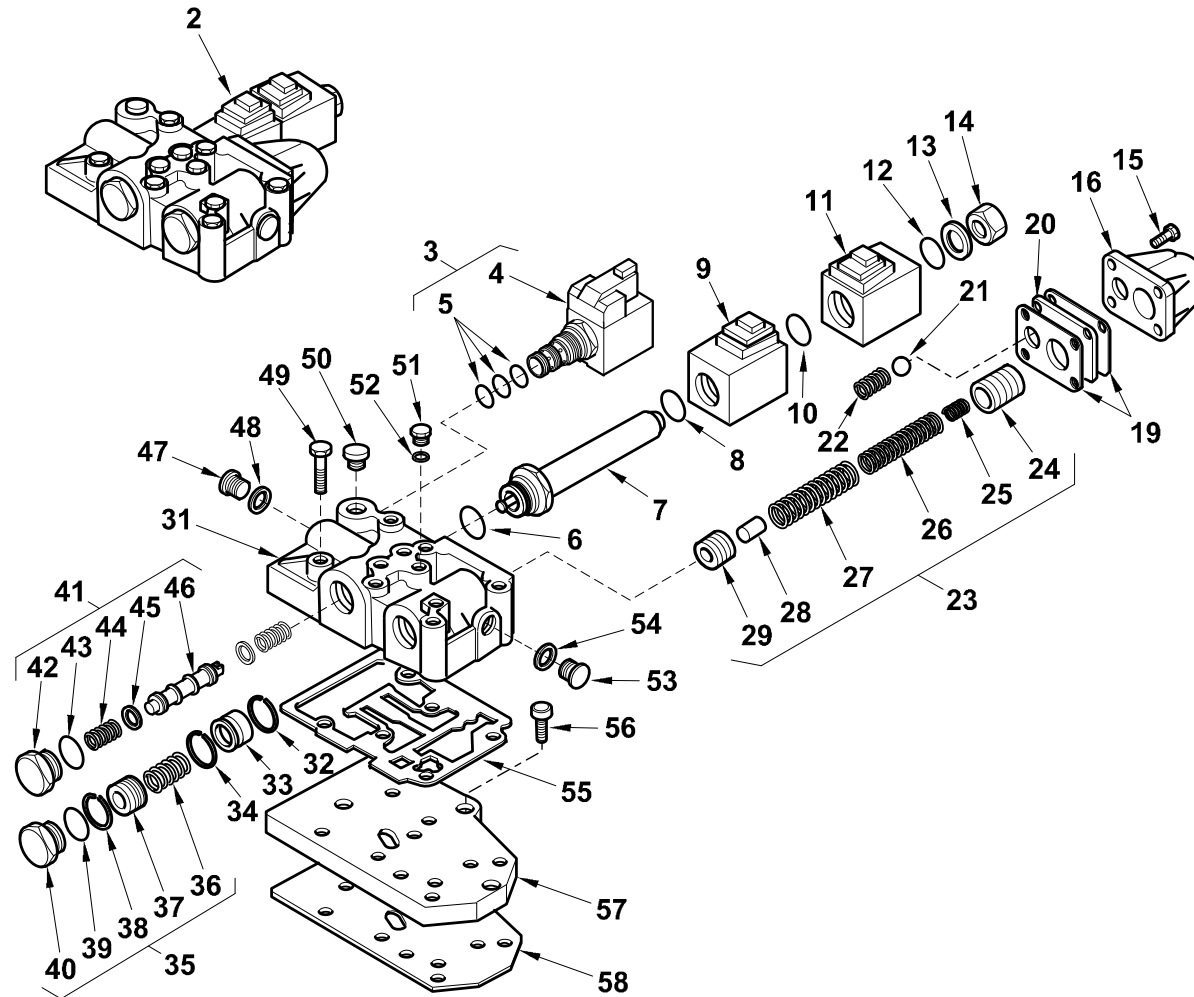
C-29005-12.1-A



Item	Part No.	Qty.	English	French	German	Spanish	Remarks
31	6194475M1	1	Outward Piston	Piston	Kolben	Pistón	
32	6194474M1	1	Spring	Ressort	Feder	Muelle	
33	6194473M1	1	Spring	Ressort	Feder	Muelle	
34	6194472M1	1	Spring	Ressort	Feder	Muelle	
35	6194471M1	1	Pin D8 X 27	Goupille	Bolzen	Pasador	
36	6194470M1	1	Inward Piston	Piston	Kolben	Pistón	
37	6194487M1	1	Snap Ring Dia 24	Fermeoir	Sprengring	Anillo De Resorte	
38	6194465M1	1	Bush	Douille	Büchse	Casquillo	
39	6194464M1	1	Spring	Ressort	Feder	Muelle	
40	6194463M1	1	Piston	Piston	Kolben	Pistón	
41	6194462M1	1	Snap Ring Dia 22	Fermeoir	Sprengring	Anillo De Resorte	
42	6194460M1	1	O Ring	Joint Torique	O Ring	Junta De Tipo O	
43	6194454M1	1	Plug	Bouchon	Verschstopfen	Tapón	
44	6194455M1	1	Copper Washer	Rondelle Cuivre	Kupferscheibe	Arandela, Cobre	
45	6194469M1	3	Bolt M8 X 20	Boulon M8 X 20	Maschschraube M8	Perno	
46	6194466M1	1	Gasket	Joint	Dichtscheibe	Empaquetadura	
47	6194467M1	1	Feeding Plate	Plaque	Platte	Placa	
48	6194468M1	1	Gasket	Joint	Dichtscheibe	Empaquetadura	
49	6193381M1	1	Plug - Diff. Lock	Bouchon	Stopfen	Tapón	
50	6193380M1	6	Bolt - M8 X 80	Goupille	Bolzen	Perno	



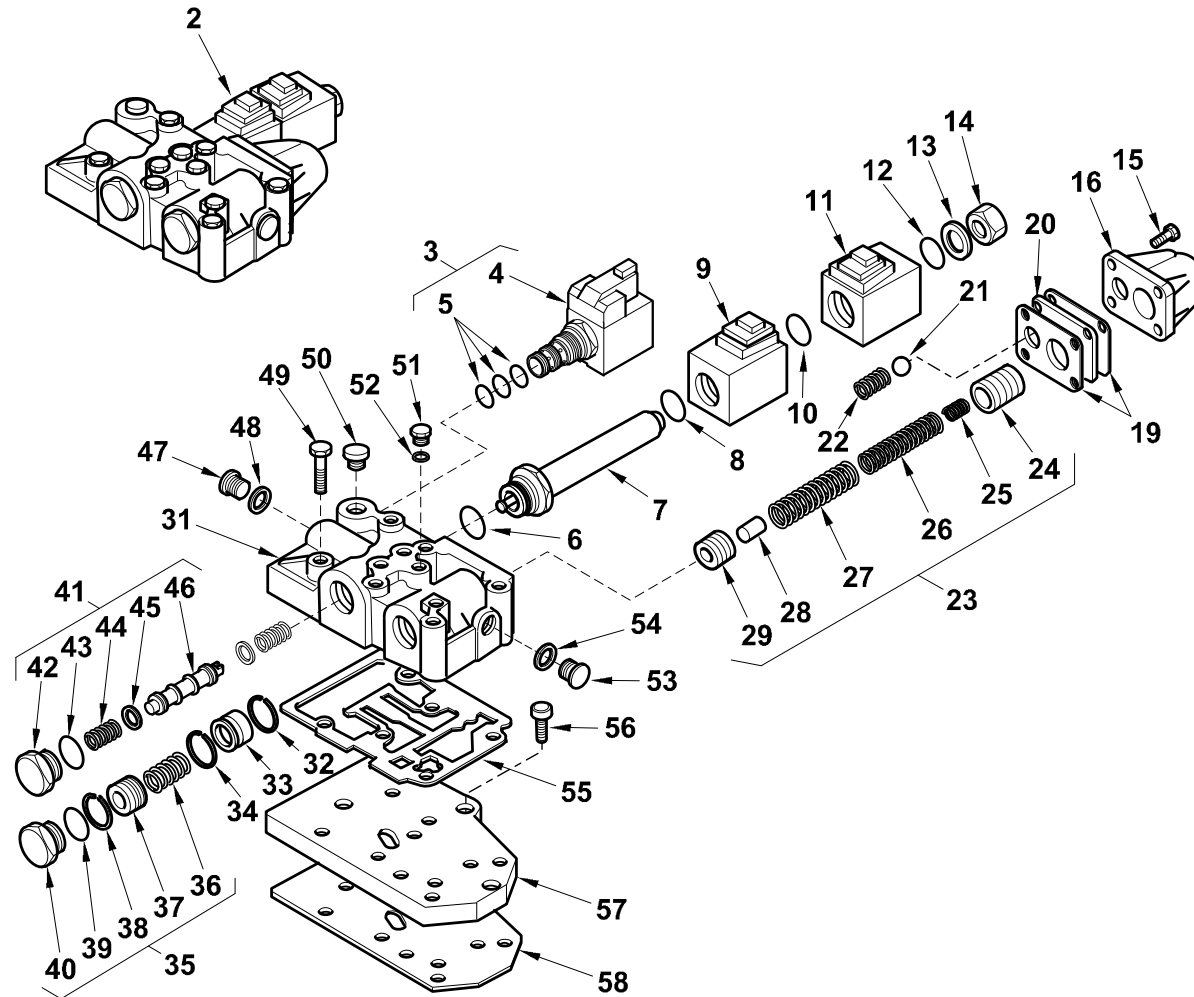
C-29005-12.2-A



Item	Part No.	Qty.	English	French	German	Spanish	Remarks
1	6111347M92	1	Trans Assy 2ws	Transmission	Getriebe	Transmision	
2	6194733M91	1	Valve - Control	Valve Commande	Steuerventil	Distribuidor, Conj.	
3	6194452M91	1	Electro-Valve	Electrovalve	Magnetventil	Electroválvula	
4	#VALVE	1	Valve	Soupape	Ventil	Válvula	Ref. 3
5	6194453M91	1	Seal Kit	Jeu Etancheite	Dichtringsatz	Juego De Juntas	
6	#O-RING	1	O-Ring	Joint Torique	O-Ring	Junta Tórica	
7	6194486M1	1	Solenoid Pipe	Canalisation	Rohrleitung	Tube	
8	#O-RING	1	O-Ring	Joint Torique	O-Ring	Junta Tórica	
9	6194483M1	1	Solenoid	Electroaimant	Magnetspule	Magnetspule	
10	#O-RING	1	O-Ring	Joint Torique	O-Ring	Junta Tórica	
11	6194483M1	1	Solenoid	Electroaimant	Magnetspule	Magnetspule	
12	#O-RING	1	O-Ring	Joint Torique	O-Ring	Junta Tórica	
13	6194481M1	1	Washer	Rondelle	Unterlegscheibe	Arandela	
14	6194482M1	1	Plug	Bouchon	Verschlostpfen	Tapón	
15	#BOLT	4	Bolt	Boulon	Schraubbolzen	Perno	
16	6194479M1	1	Valve Cover	Cache Culbuteurs	Ventildeckel	Cubre Válvula	
17	6194742M91	1	Body Valve Assy	Corps De Valve	Ventilgehäuse	Distribuidor, Conj.	
18	6194740M91	1	Kit - Plate	Jeu Plaque	Plattensatz	Juego De Piezas	
19	#GASKET	2	Gasket	Gasket	Gasket	Gasket	Ref. 18
20	#PLATE	1	Plate	Plaque	Platte	Plato	Ref. 18
21	#BALL	1	Ball	Ball	Ball	Ball	Ref. 18
22	#SPRING	1	Spring	Ressort	Feder	Muelle	Ref. 18
23	6194739M91	1	Kit - Modulation Valve	Jeu Soupapes	Ventilsatz	Válvula, Conj.	
24	#PISTON	1	Piston	Piston	Piston	Piston	Ref. 23
25	#SPRING	1	Spring	Ressort	Feder	Muelle	Ref. 23
26	#SPRING	1	Spring	Ressort	Feder	Muelle	Ref. 23
27	#SPRING	1	Spring	Ressort	Feder	Muelle	Ref. 23
28	#PIN	1	Pin	Goupille	Bolzen	Pasador	Ref. 23
29	#PISTON	1	Piston	Piston	Piston	Piston	Ref. 23
30	6194741M91	1	Kit - Control Valve Body	Jeu Distributeur	Satzsteuerventil	Cuerpo, Conj.	

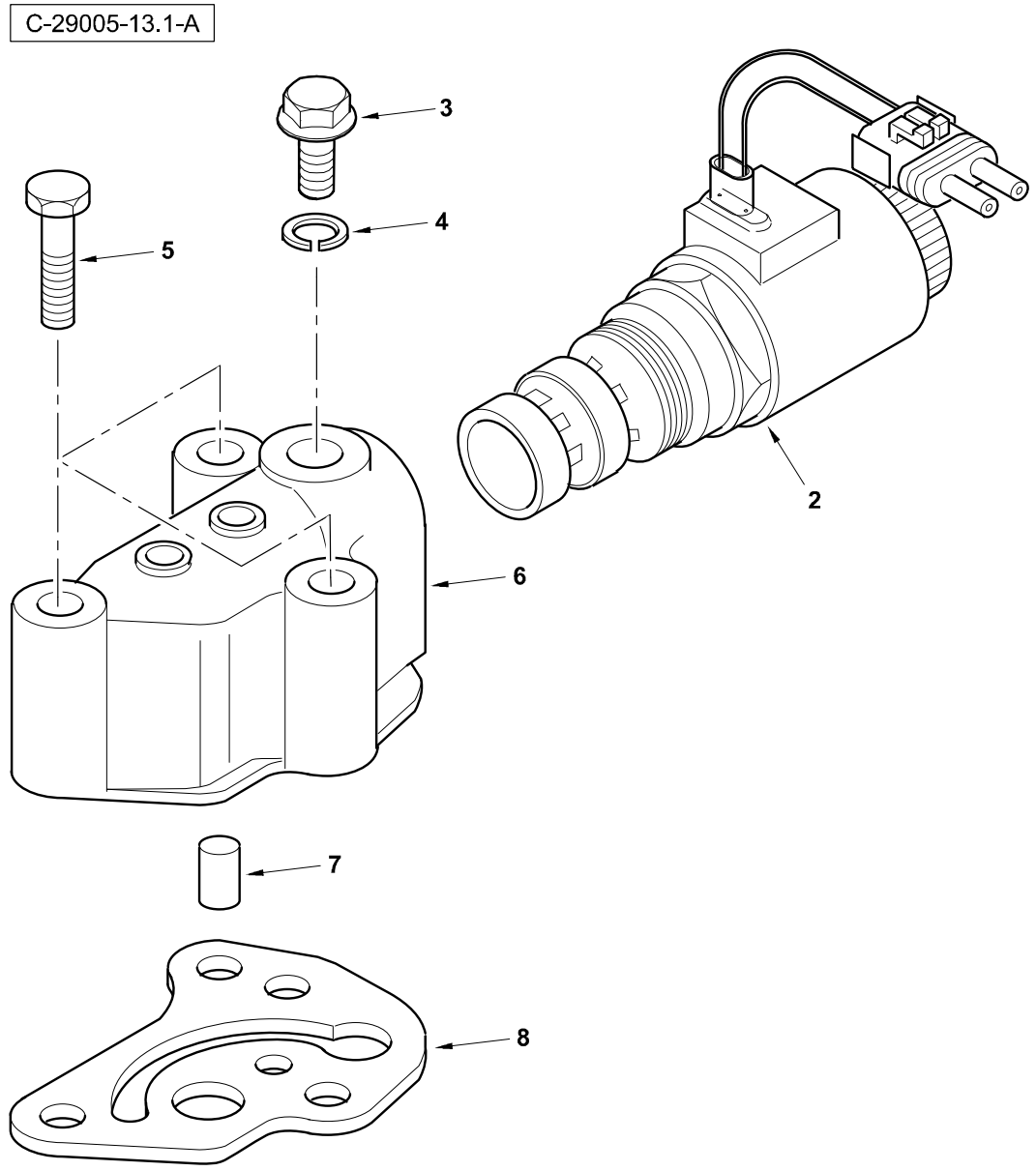


C-29005-12.2-A



Item	Part No.	Qty.	English	French	German	Spanish	Remarks
31	#BODY	1	Body	Body	Body	Body	
32	#RING, SNAP	1	Ring, Snap	Ring, Snap	Ring, Snap	Ring, Snap	
33	#BUSHING	1	Bushing	Douille	Busche	Boccola	
34	#RING, SNAP	1	Ring, Snap	Ring, Snap	Ring, Snap	Ring, Snap	
35	6194735M91	1	Kit - Flow Divider Piston	Jeu Cde Debit	Mengendosiersatz	Juego De Piezas	
36	#SPRING	1	Spring	Ressort	Feder	Muelle	Ref. 35
37	#RING, SNAP	1	Ring, Snap	Ring, Snap	Ring, Snap	Ring, Snap	Ref. 35
38	#RING, SNAP	1	Ring, Snap	Ring, Snap	Ring, Snap	Ring, Snap	Ref. 35
39	#O-RING	1	O-Ring	Joint Torique	O-Ring	Junta Tórica	Ref. 35
40	#PLUG	1	Plug	Plug	Plug	Plug	Ref. 35
41	6194734M91	1	Kit - Spool Fwd/Rvs	Jeu Tiroir	Schieber, Satz	Cajoncillo, Conj.	
42	#PLUG	1	Plug	Plug	Plug	Plug	Ref. 41
43	#O-RING	1	O-Ring	Joint Torique	O-Ring	Junta Tórica	Ref. 41
44	#SPRING	2	Spring	Ressort	Feder	Muelle	Ref. 41
45	#WASHER	2	Washer	Rondelle	Unterlegscheibe	Arandela	Ref. 41
46	#SPOOL	1	Spool	Spool	Spool	Spool	Ref. 41
47	#PLUG	1	Plug	Plug	Plug	Plug	
48	#WASHER, COPPER	1	Washer, Copper	Washer, Copper	Washer, Copper	Washer, Copper	
49	#BOLT	6	Bolt	Boulon	Schraubbolzen	Perno	
50	#PLUG	1	Plug	Plug	Plug	Plug	
51	#PLUG	4	Plug	Plug	Plug	Plug	
52	#WASHER, COPPER	4	Washer, Copper	Washer, Copper	Washer, Copper	Washer, Copper	
53	#PLUG	1	Plug	Plug	Plug	Plug	
54	#WASHER, COPPER	1	Washer, Copper	Washer, Copper	Washer, Copper	Washer, Copper	
55	#GASKET	1	Gasket	Gasket	Gasket	Gasket	
56	#BOLT	3	Bolt	Boulon	Schraubbolzen	Perno	
57	6194467M1	1	Feeding Plate	Plaque	Platte	Placa	
58	#GASKET	1	Gasket	Gasket	Gasket	Gasket	





Item	Part No.	Qty.	English	French	German	Spanish	Remarks
1	6110549M91	1	Trans Assy 2ws/4wd Carraro (641868) Sync	Boite De Vitesses	Getriebe	Caja De Velocidades	Continued
1	6111347M92	1	Trans Assy 2ws	Transmission	Getriebe	Transmision	
2	6194488M1	1	4wd Electro-Valve	Electrovalve	Magnetventil	Electroválvula	
3	6194328M1	1	Plug	Bouchon	Verschlostpfen	Tapón	
4	6194329M1	1	Copper Washer 10 X 14 X 1.5	Rondelle	Unterlegscheibe	Arandela, Cobre	
5	6194308M1	3	Screw M8 X 60	Vis Metrique M8 X 60	Schraube Met M8 X 60	Tornillo	
6	6194490M1	1	Housing	Carter	Gehause	Cárter	
7	6194491M1	1	Valve	Soupape	Ventil	Válvula	
8	6194489M1	1	Gasket	Joint	Dichtscheibe	Empaquetadura	



Not Illustrated

Non Illustrée

Nicht Abgebildet

Non Illustrato

No Ilustrado

Item	Part No.	Qty.	English	French	German	Spanish	Remarks
-------------	-----------------	-------------	----------------	---------------	---------------	----------------	----------------

Not Illustrated

Non Illustrée

Nicht Abgebildet

Non Illustrato

No Ilustrado

Item	Part No.	Qty.	English	French	German	Spanish	Remarks
-------------	-----------------	-------------	----------------	---------------	---------------	----------------	----------------



Not Serviced

THIS PAGE INTENTIONALLY LEFT BLANK



Not Illustrated

Non Illustrée

Nicht Abgebildet

Non Illustrato

No Ilustrado

Item	Part No.	Qty.	English	French	German	Spanish	Remarks
-------------	-----------------	-------------	----------------	---------------	---------------	----------------	----------------



Not Illustrated

Non Illustrée

Nicht Abgebildet

Non Illustrato

No Ilustrado

Item	Part No.	Qty.	English	French	German	Spanish	Remarks
-------------	-----------------	-------------	----------------	---------------	---------------	----------------	----------------

Not Illustrated

Non Illustrée

Nicht Abgebildet

Non Illustrato

No Ilustrado

Item	Part No.	Qty.	English	French	German	Spanish	Remarks
-------------	-----------------	-------------	----------------	---------------	---------------	----------------	----------------



Not Illustrated

Non Illustrée

Nicht Abgebildet

Non Illustrato

No Ilustrado

Item	Part No.	Qty.	English	French	German	Spanish	Remarks
------	----------	------	---------	--------	--------	---------	---------

Not Illustrated

Non Illustrée

Nicht Abgebildet

Non Illustrato

No Ilustrado

Item	Part No.	Qty.	English	French	German	Spanish	Remarks
-------------	-----------------	-------------	----------------	---------------	---------------	----------------	----------------



Not Illustrated

Non Illustrée

Nicht Abgebildet

Non Illustrato

No Ilustrado

Item	Part No.	Qty.	English	French	German	Spanish	Remarks
-------------	-----------------	-------------	----------------	---------------	---------------	----------------	----------------



Not Illustrated

Non Illustrée

Nicht Abgebildet

Non Illustrato

No Ilustrado

Item	Part No.	Qty.	English	French	German	Spanish	Remarks
------	----------	------	---------	--------	--------	---------	---------

Not Illustrated

Non Illustrée

Nicht Abgebildet

Non Illustrato

No Ilustrado

Item	Part No.	Qty.	English	French	German	Spanish	Remarks
-------------	-----------------	-------------	----------------	---------------	---------------	----------------	----------------



Not Illustrated

Non Illustrée

Nicht Abgebildet

Non Illustrato

No Ilustrado

Item	Part No.	Qty.	English	French	German	Spanish	Remarks
------	----------	------	---------	--------	--------	---------	---------

Not Illustrated

Non Illustrée

Nicht Abgebildet

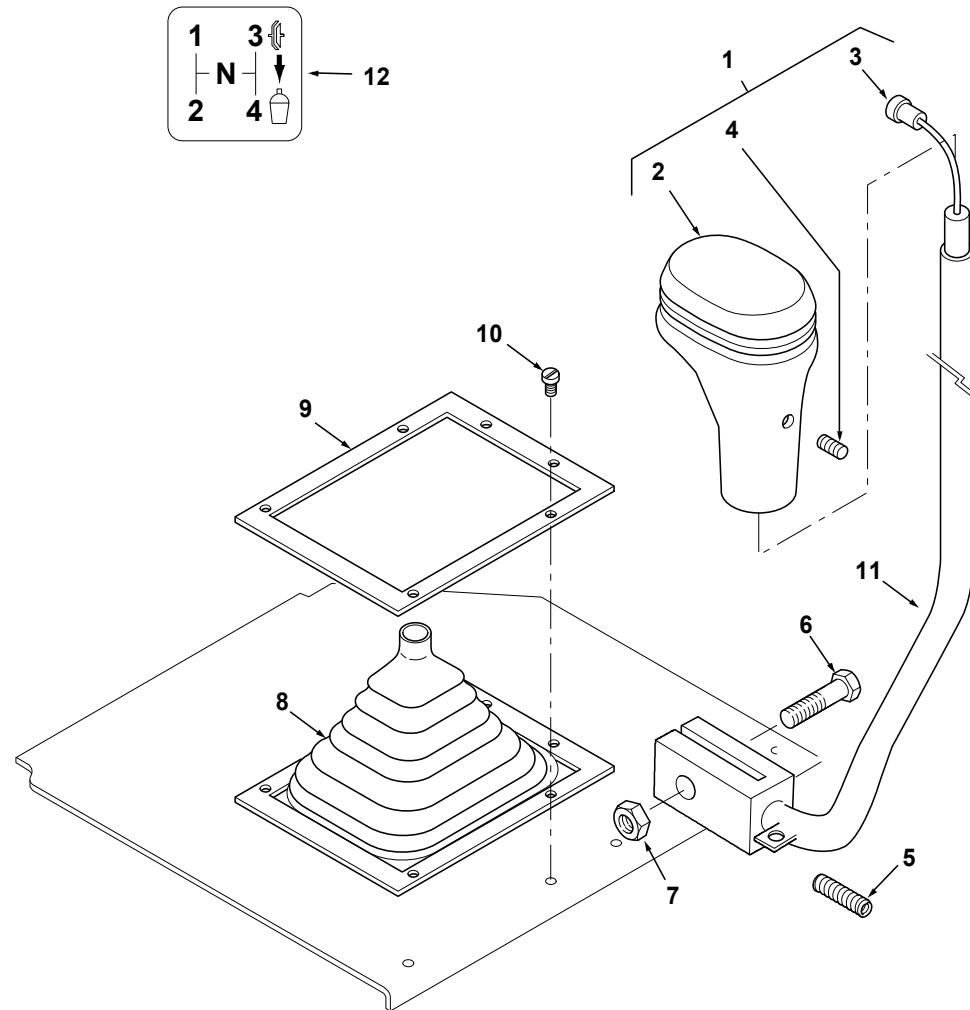
Non Illustrato

No Ilustrado

Item	Part No.	Qty.	English	French	German	Spanish	Remarks
-------------	-----------------	-------------	----------------	---------------	---------------	----------------	----------------

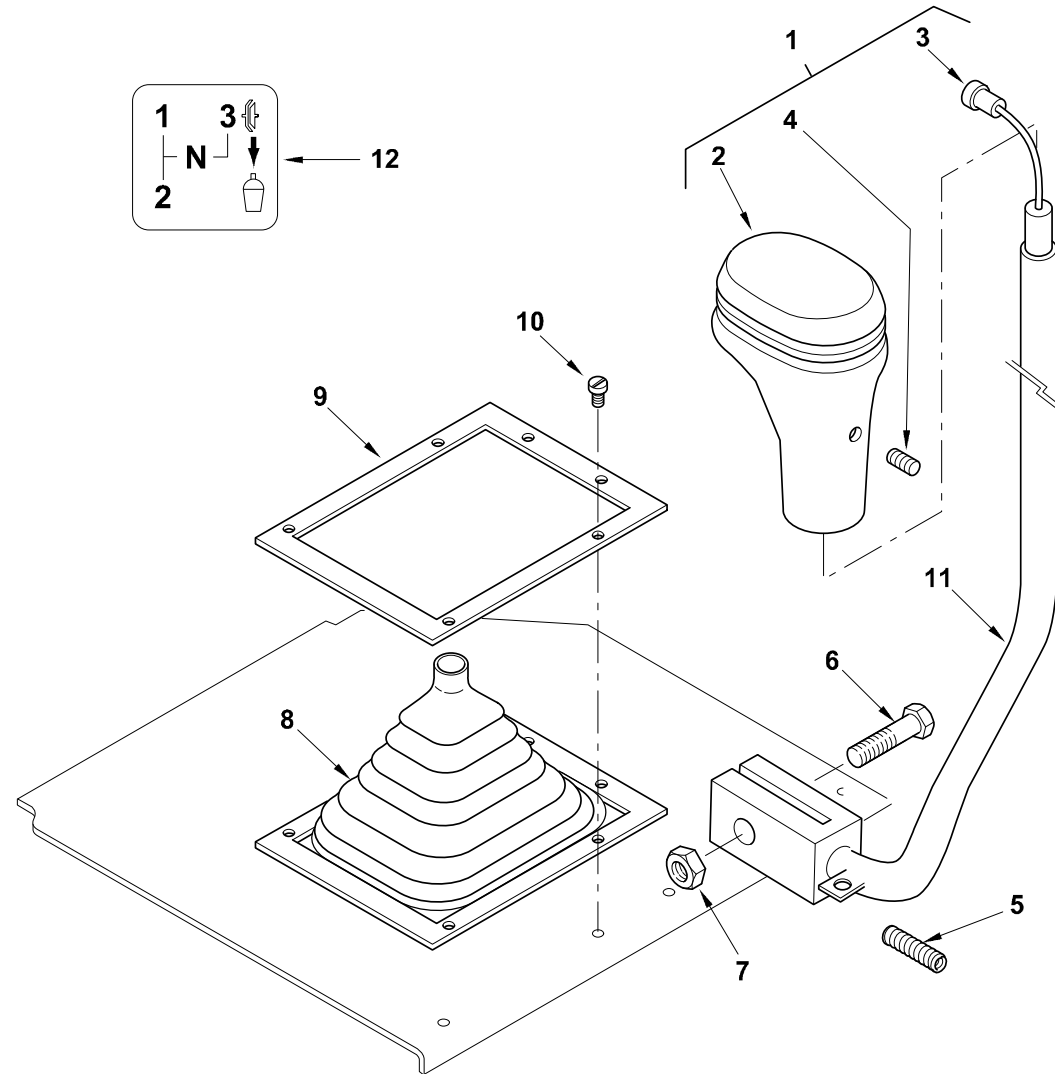


C-31006-01.1-A



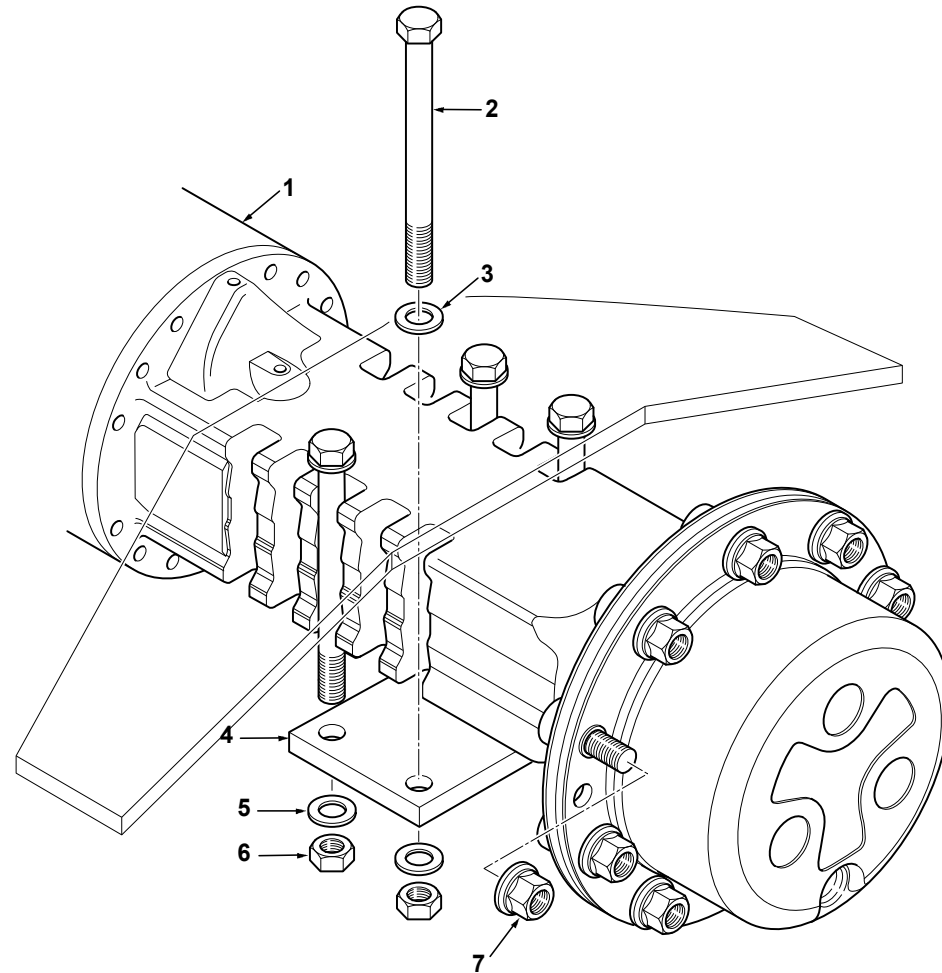
Item	Part No.	Qty.	English	French	German	Spanish	Remarks
1	6108406M91	1	Knob Assy. - Gear Lever	Boule	Knauf	Empuñ. Palanca	
2	#BODY	1	Body	Body	Body	Body	Ref. 1
3	#HARNESS	1	Harness	Harness	Harness	Harness	Ref. 1
4	3009422X1	1	Screw	Vis	Schraube	Tornillo	
5	1475805M1	1	Spring	Siège De Ressort	Federsitz	Muelle	
6	3009511X1	1	Bolt, Hex. - M12 X 55	Goupille	Bolzen M12 X 55	Perno	
7	1440330X1	1	Nut Nyloc M12	Ecrou	Flachmutter M12	Tuerca	
8	6101248M3	1	Gaiter - Gear Lever	Manchette	Manschette	Fuelle	
9	6101249M2	1	Retainer Gaiter	Dispositif De Retenue	Befestigungsteil	Fijación	
10	3521303M3	6	Fastener, Plastic - Gear Lever Gaiter	Agrafe	Halteklammer	Enganche	
11	6110562M91	1	Lever Gear Welded Assembly	Lever Gear Welded Assembly	Schalthebel Kpl	Lever Gear Welded Assembly	
12	6101921M1	1	Decal-4 Speed Gear Change	Adhésif	Aufkleber	Adhesivo	

C-31007-01.1-B



Item	Part No.	Qty.	English	French	German	Spanish	Remarks
1	6108406M91	1	Knob Assy. - Gear Lever	Boule	Knauf	Empuñ. Palanca	
2	#BODY	1	Body	Body	Body	Body	Ref. 1
3	#HARNESS	1	Harness	Harness	Harness	Harness	Ref. 1
4	3009422X1	1	Screw	Vis	Schraube	Tornillo	
5	1475805M1	1	Spring	Siège De Ressort	Federsitz	Muelle	
6	3009511X1	1	Bolt, Hex. - M12 X 55	Goupille	Bolzen M12 X 55	Perno	
7	1440330X1	1	Nut Nyloc M12	Ecrou	Flachmutter M12	Tuerca	
8	6101248M3	1	Gaiter - Gear Lever	Manchette	Manschette	Fuelle	
9	6101249M2	1	Retainer Gaiter	Dispositif De Retenue	Befestigungsteil	Fijación	
10	3521303M3	6	Fastener, Plastic - Gear Lever Gaiter	Agrafe	Halteklammer	Enganche	
11	6110562M91	1	Lever Gear Welded Assembly	Lever Gear Welded Assembly	Schalthebel Kpl	Lever Gear Welded Assembly	
12	6101922M1	1	Decal-3 Speed Gear Change	Adhésif	Aufkleber	Adhesivo	

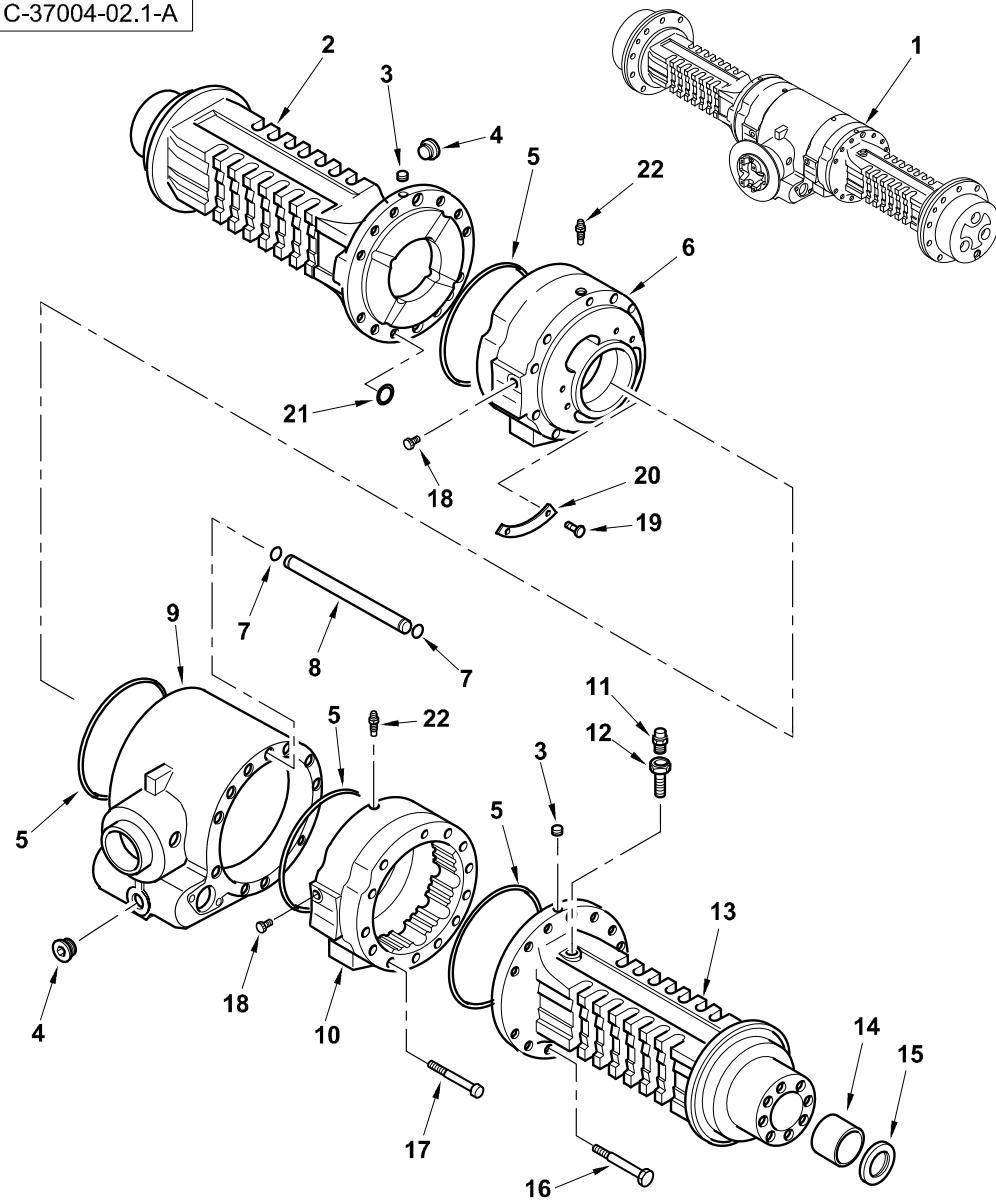
C-37004-01.1-A



Item	Part No.	Qty.	English	French	German	Spanish	Remarks
1	6110550M91	1	Axle - Rear 760/860 Carraro (641903)	Mont. D'Essieu, Arrière	Hinterachse	Puente Trasero, Conj.	
2	6106980M2	8	Bolt - M20 (Mang Phos Coated) Grade 10.9	Boulon - M20	Maschschraube - M20	Perno	
3	385365X1	8	Washer Hardened M20	Rondelle	Scheibe	Arandela	
4	6106096M1	2	Plate - Clamp	Poids	Gewicht	Peso	
5	385365X1	8	Washer Hardened M20	Rondelle	Scheibe	Arandela	
6	3522225M3	8	Nut M20	Ecrou	Mutter	Tuerca	
7	6106829M91	20	Nut Assy., Wheel	Ecrou	Mutter	Tuerca	



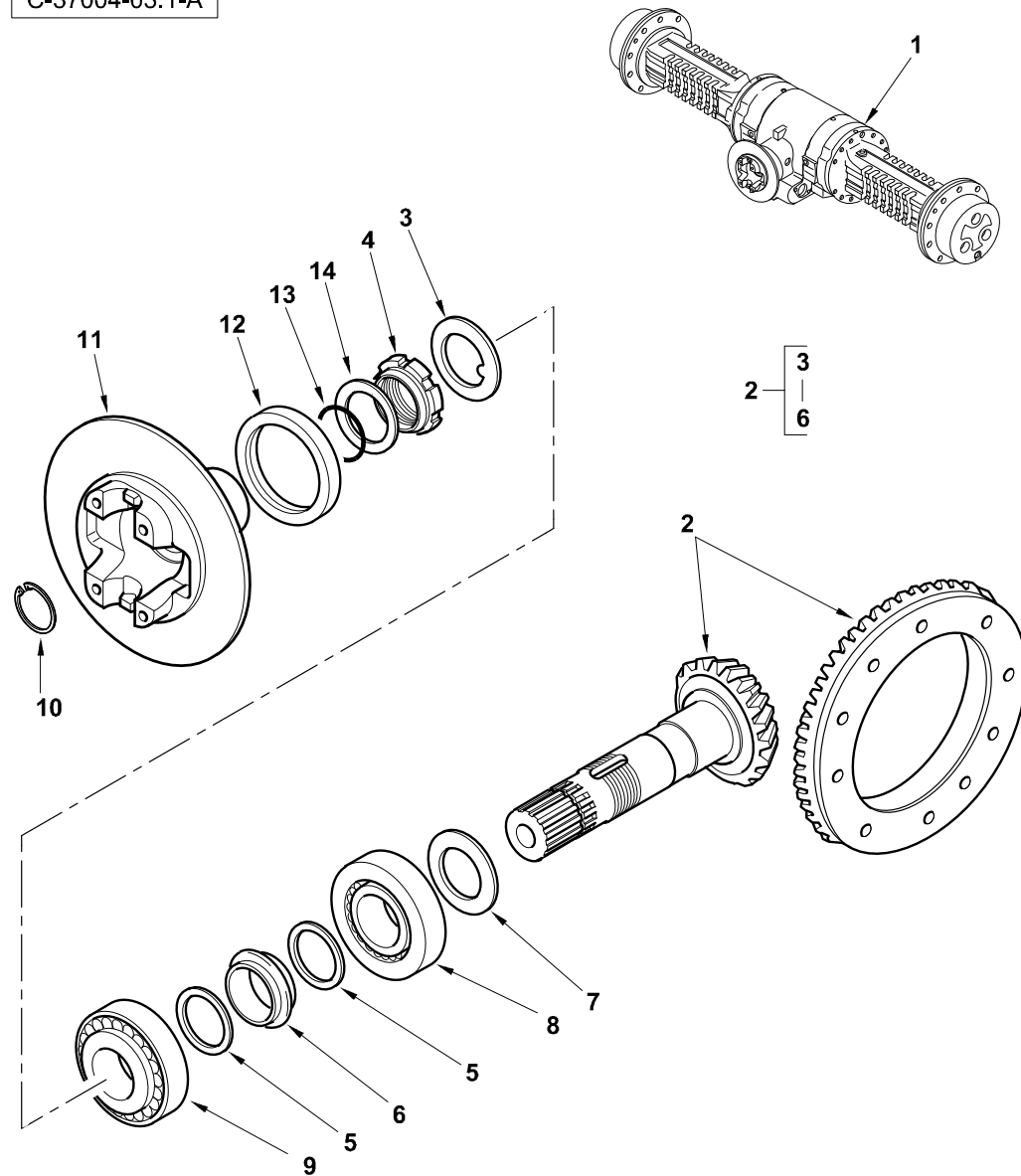
C-37004-02.1-A



Item	Part No.	Qty.	English	French	German	Spanish	Remarks
1	6110550M91	1	Axle - Rear 760/860 Carraro (641903)	Mont. D'Essieu, Arrière	Hinterachse	Puente Trasero, Conj.	
2	6193332M1	1	Housing, L/H - Rear Axle	Carter	Gehäuse	Cárter De Puente	
3	3523998M1	2	Plug M10	Bouchon	Stopfen	Tapón	
4	3523632M1	2	Plug	Bouchon	Stopfen	Tapón	
5	6193333M1	4	O-Ring - Rear Axle Centre Housing	Joint Torique	O-Ring	Junta De Tipo O	
6	6193334M1	1	Housing R/H - Brake Cylinder	Corps De Vérin	Zylindermantel	Pistón De Freno	
7	3523630M1	2	O Ring	Joint Torique	O Ring	Junta De Tipo O	
8	6193335M1	1	Pipe - Brake Connecting	Tuyau	Rohr	Tubo	
9	6193336M1	1	Centre Housing - Rear Axle	Carter Central Ass.	Mittelgehäuse Kplt	Cárter Central, Conj.	
10	6193337M1	1	Housing L/H - Brake Cylinder	Corps De Vérin	Zylindermantel	Pistón De Freno	
11	3475328M1	1	Breather - Axle Housing	Reni•ard	Entlüfter	Ventilador Del Cárter	
12	6193338M1	1	Adaptor - Breather Extension	Tuyau	Rohr	Tubo	
13	6193339M1	1	Housing R/H, Rear Axle	Carter	Gehäuse	Cárter De Puente	
14	6193340M1	2	Bush - Rear Axle Housing	Douille	Büchse	Anillo	
15	6193341M1	2	Oil Seal - Rear Axle	Joint D´Arbre	Wellendichtring	Junta De Anillo	
16	6193342M1	22	Bolt, Hex. - M14 X 140	Goupille	Bolzen	Perno	
17	6193343M1	2	Bolt, Hex. - M12 X 130	Goupille	Bolzen	Perno	
18	6193344M1	2	Plug - Brake Cylinder Housing	Bouchon	Stopfen	Tapón	
19	6193345M1	4	Rivet - M4.8 X 6	Rivet	Niete	Remache	
20	6193346M1	2	Plate	Plaque	Platte	Placa	
21	6193347M1	8	O-Ring	Joint Torique	O-Ring	Junta De Tipo O	
22	6190624M1	2	Superceded Part	Démodé	Überholt	Tornillo Purgador	



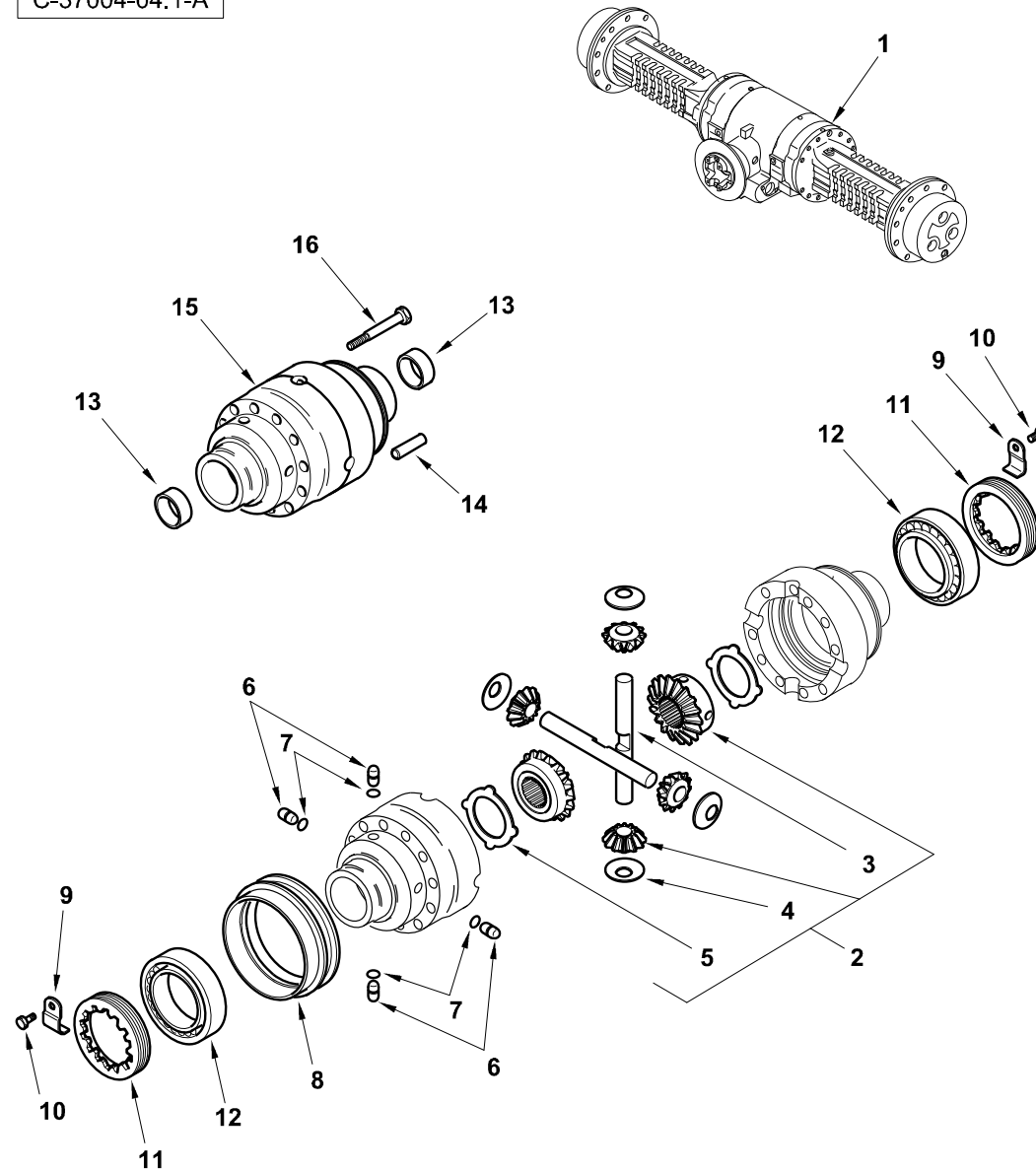
C-37004-03.1-A



Item	Part No.	Qty.	English	French	German	Spanish	Remarks
1	6110550M91	1	Axle - Rear 760/860 Carraro (641903)	Mont. D'Essieu, Arrière	Hinterachse	Puente Trasero, Conj.	
2	6194510M91	1	Bevel Gear/ Pinion Set Z = 15/37	Jeu Engrenages	Zahnradatz	Engranaje Cónico/Piñón	
3	3475569M1	1	Tab Washer - Locking	Rondelle Frein	Federring	Arandela De Freno	
4	3475570M1	1	Ring Nut - M40	Ecrou - M40	Mutter - M40	Tuerca	
5	3523082M1	2	Washer - Pinion Shaft	Rondelle	Unterlegscheibe	Arandela	
6	6193350M1	1	Spacer, Collapsible - Pinion Adj.	Entretoise	Distanzstück	Traviesa	
7	6193360M1	1	Shim, 3.4mm - Pinion	Cale	Ausgleichsscheibe	Calce	
7	6193359M1	1	Shim, 3.3mm - Pinion	Cale	Ausgleichsscheibe	Calce	
7	6193358M1	1	Shim, 3.2mm - Pinion	Cale	Ausgleichsscheibe	Calce	
7	6193357M1	1	Shim, 3.1mm - Pinion	Cale	Ausgleichsscheibe	Calce	
7	6193356M1	1	Shim, 3.0mm - Pinion	Cale	Ausgleichsscheibe	Calce	
7	6193355M1	1	Shim, 2.9mm - Pinion	Cale	Ausgleichsscheibe	Calce	
7	6193354M1	1	Shim, 2.8mm - Pinion	Cale	Ausgleichsscheibe	Calce	
7	6193351M1	1	Shim, 2.5mm - Pinion	Cale	Ausgleichsscheibe	Calce	
7	6193352M1	1	Shim, 2.6mm - Pinion	Cale	Ausgleichsscheibe	Calce	
7	6193353M1	1	Shim, 2.7mm - Pinion	Cale	Ausgleichsscheibe	Calce	
8	6193361M1	1	Bearing, Ball - Pinion	Roulement A Billes	Kugellager	Cojinete	
9	3475567M1	1	Bearing, Taper Roller - Pinion	Roul Conique	Kegellager	Cojinete De Bolas	
10	3523098M1	1	Circlip - External, 34mm	Circlip Exterieur	Sicherungsring	Anillo De Resorte	
11	6193362M1	1	Disc & Flange Assy. - Handbrake	Disque De Frein	Bremsscheibe	Disco De Freno	
12	6193363M1	1	Seal - Handbrake Disc	Joint, Anneau	Dichtungsring	Junta De Anillo	
13	6193364M1	1	O-Ring, Pinion Shaft	Joint Torique	O-Ring	Junta De Tipo O	
14	6193365M1	1	Washer - Pinion Shaft	Rondelle	Scheibe	Arandela	



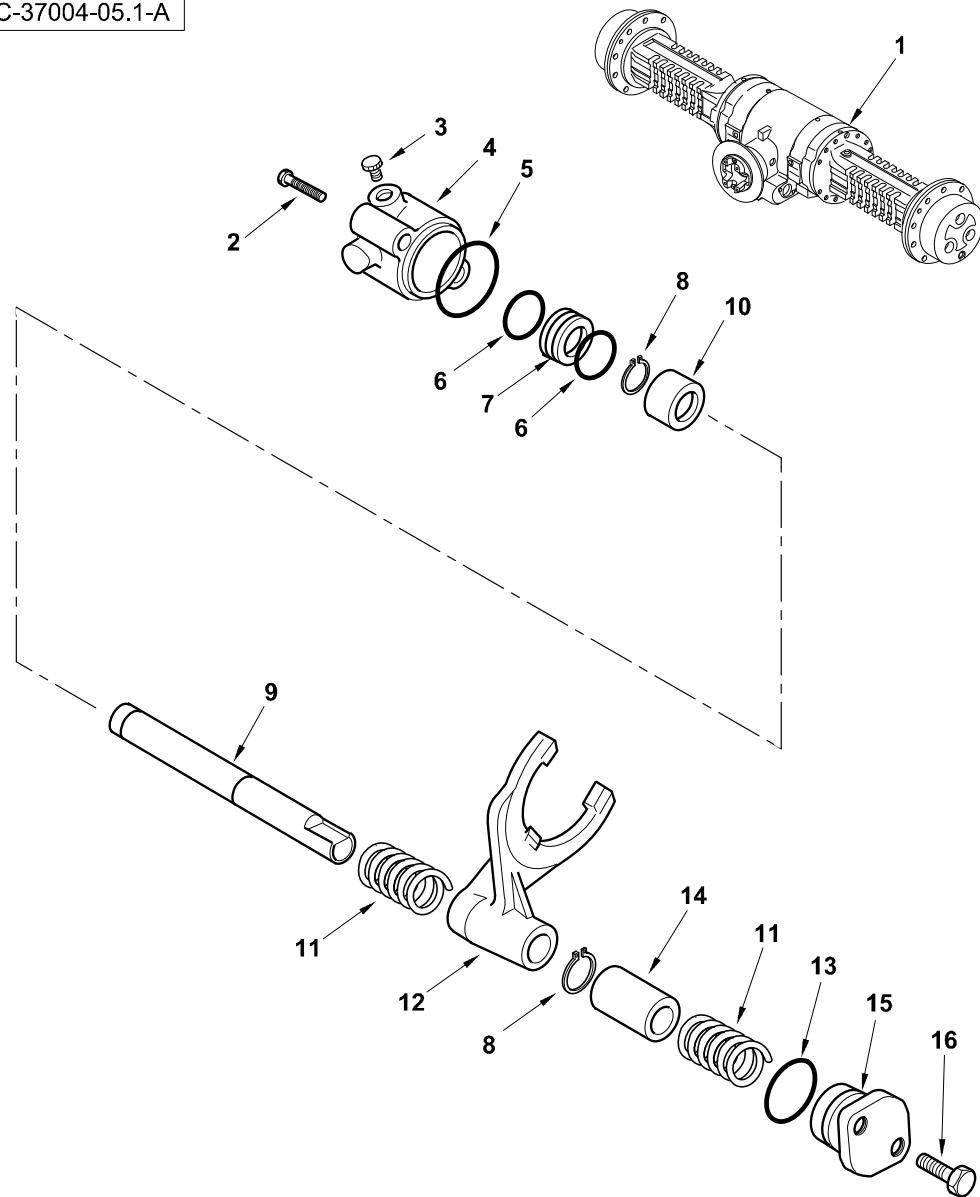
C-37004-04.1-A



Item	Part No.	Qty.	English	French	German	Spanish	Remarks
1	6110550M91	1	Axle - Rear 760/860 Carraro (641903)	Mont. D'Essieu, Arrière	Hinterachse	Puente Trasero, Conj.	
2	6193366M91	1	Kit, Diff. Gears And Shafts	Jeu Différentiel	Satzdifferential	Juego, Diferencial	
3	6193367M1	2	Shaft, Diff. Gears	Arbre	Welle	Árbol	
4	6193368M1	4	Washer, Thrust - Diff. Gears	Rondelle De Butée	Druckscheibe	Arandela De Tope	
5	6193369M1	2	Plate, Drive - Differential	Plaque	Platte	Placa	
6	6193370M1	4	Pin - Diff. Housing	Axe	Bolzen	Pasador	
7	6193371M1	4	O-Ring - Diff. Hsg. Pin	Joint Torique	O-Ring	Junta De Tipo O	
8	6193372M1	1	Sleeve - Diff. Housing	Chemise	Büchse	Camisa	
9	6193373M1	2	Plate, Locking - Differential	Plaque D'Arrêt	Sicherungsblech	Placa De Bloqueo	
10	3523583M1	2	Bolt M6 X 10	Boulon M6 X 10	Maschschraube M6	Tornillo	
11	6193374M1	2	Nut, Special Ring - 104mm	Ecrou Spécial	Spezialmutter	Tuerca	
12	6193375M1	2	Bearing - Diff. Housing	Roulement	Lager	Cojinete	
13	6193376M1	2	Bush - Differential	Douille	Büchse	Anillo	
14	6193377M1	2	Pin, Differential - M12 X 40	Axe	Bolzen	Pasador	
15	6193378M1	1	Housing - Differential	Carter Diff.	Diffgehäuse	Cárter	
16	6193379M1	10	Bolt - M12 X 90	Goupille	Bolzen	Perno	



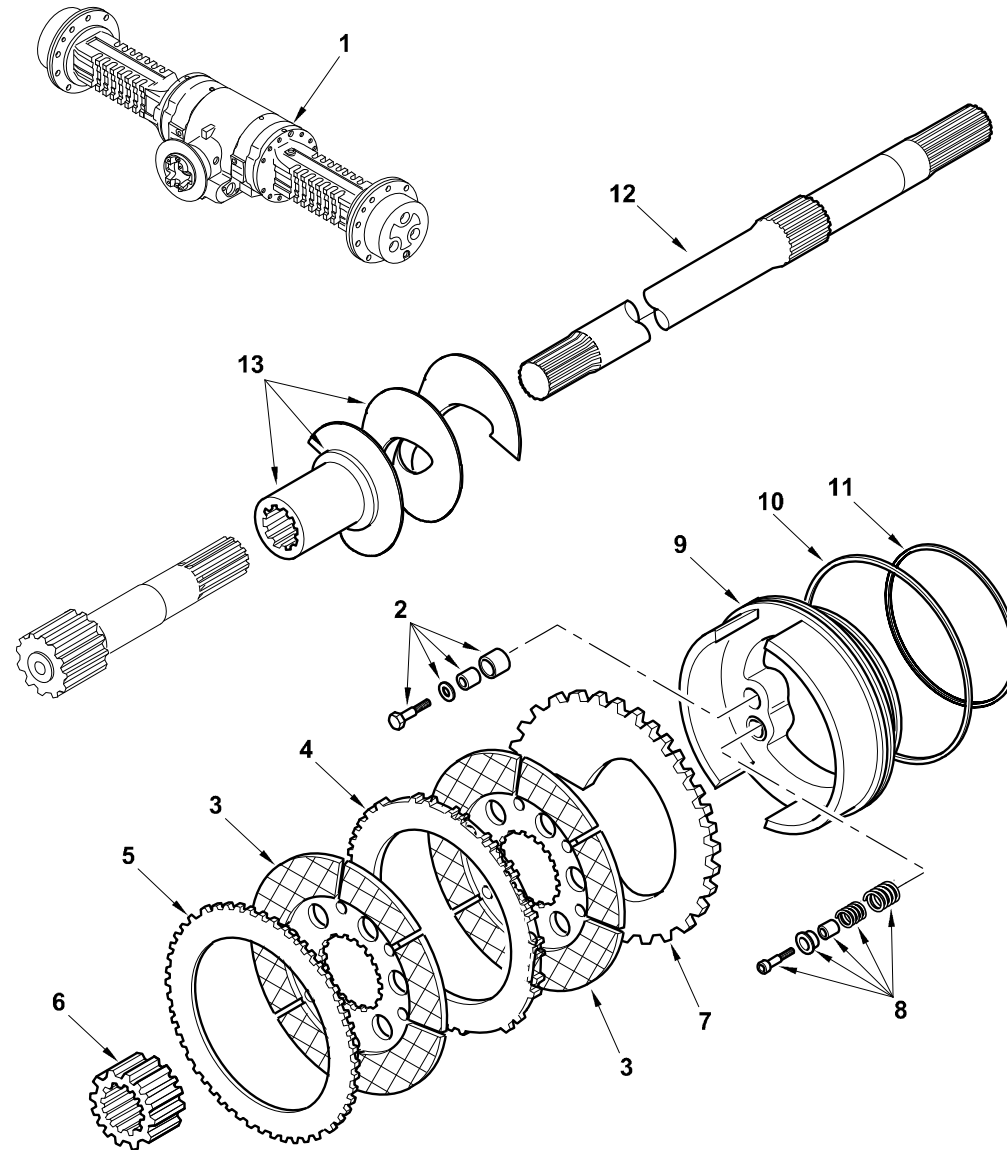
C-37004-05.1-A



Item	Part No.	Qty.	English	French	German	Spanish	Remarks
1	6110550M91	1	Axle - Rear 760/860 Carraro (641903)	Mont. D'Essieu, Arrière	Hinterachse	Puente Trasero, Conj.	
2	6193380M1	2	Bolt - M8 X 80	Goupille	Bolzen	Perno	
3	6193381M1	1	Plug - Diff. Lock	Bouchon	Stopfen	Tapón	
4	6193382M1	1	Housing, Support - Diff. Lock	Support	Haltevorrichtung	Soporte	
5	6193383M1	1	O-Ring - Diff. Lock	Joint Torique	O-Ring	Junta De Tipo O	
6	6193384M1	2	O-Ring - Diff. Lock	Joint Torique	O-Ring	Junta De Tipo O	
7	6193385M1	1	Piston - Diff. Lock	Piston	Kolben	Pistón	
8	6193386M1	2	Circlip - Diff. Lock	Segment D'Arrêt	Sicherungsring	Anillo De Resorte	
9	6193387M1	1	Shaft - Diff. Lock	Arbre	Welle	Árbol	
10	6193388M1	1	Bush - Diff Lock	Douille	Büchse	Anillo	
11	6193389M1	2	Spring - Diff. Lock	Siège De Ressort	Federsitz	Muelle	
12	6193390M1	1	Fork - Diff. Lock	Fourche	Gabel	Bielda	
13	6190278M1	1	O Ring - Diff. Lock	Joint Torique	O Ring	Junta De Tipo O	
14	6193391M1	1	Spacer - Diff. Lock	Entretoise	Distanzstück	Traviesa	
15	6193392M1	1	Cover - Diff. Lock	Cache	Abdeckung	Tapa	
16	6193393M1	2	Bolt, M8 X 30	Goupille	Bolzen	Perno	



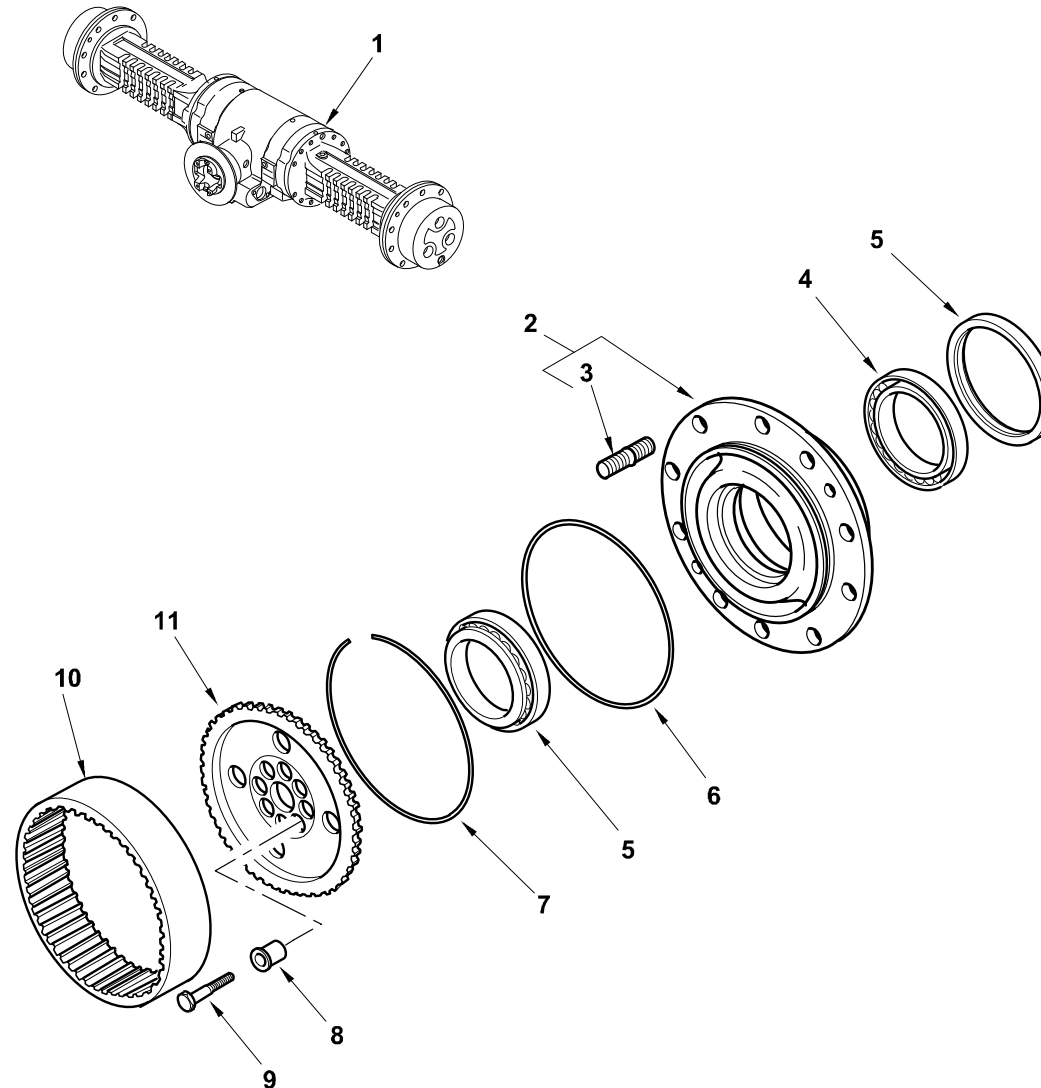
C-37004-06.1-A



Item	Part No.	Qty.	English	French	German	Spanish	Remarks
1	6110550M91	1	Axle - Rear 760/860 Carraro (641903)	Mont. D'Essieu, Arrière	Hinterachse	Puente Trasero, Conj.	
2	6193394M1	2	Kit, Self Adjuster	Jeu, Organe Régl. Auto.	Nachstellsatz	Juego De Autoajuste	
3	6193395M1	4	Brake Disc - Lined	Disque De Frein	Bremsscheibe	Placa	
4	6193396M1	2	Brake Disc - Unlined	Disque De Frein	Bremsscheibe	Placa	
5	6193397M1	2	Plate , Toothed Drive - Brake	Plaque	Platte	Placa	
6	6193398M1	2	Hub, Splined - Brake	Moyeu	Nabe	Cubo	
7	6193399M1	2	Plate, Toothed Drive - Brake	Plaque	Platte	Placa	
8	6193400M91	2	Kit, Self-Adjust - Brake	Jeu, Organe Régl. Auto.	Nachstellsatz	Juego De Autoajuste	
9	6193401M1	2	Piston - Brake	Piston	Kolben	Pistón	
10	6193402M1	2	O-Ring, "Quadring" - Brakes	Quadring	O-Ring	Quadring	
11	6193403M1	2	O-Ring, "Quadring" - Brakes	Quadring	O-Ring	Quadring	
12	6193404M1	2	Half Shaft, Inner - Rear Axle	Arbre De Pont	Achswelle	Árbol	
13	6193405M1	1	Auger, LH - Oil Flow	Tige Carrée D'Entraîn.	Erdbohrer	Taladro	
13	6193406M1	1	Auger, RH - Oil Flow	Tige Carrée D'Entraîn.	Erdbohrer	Taladro	

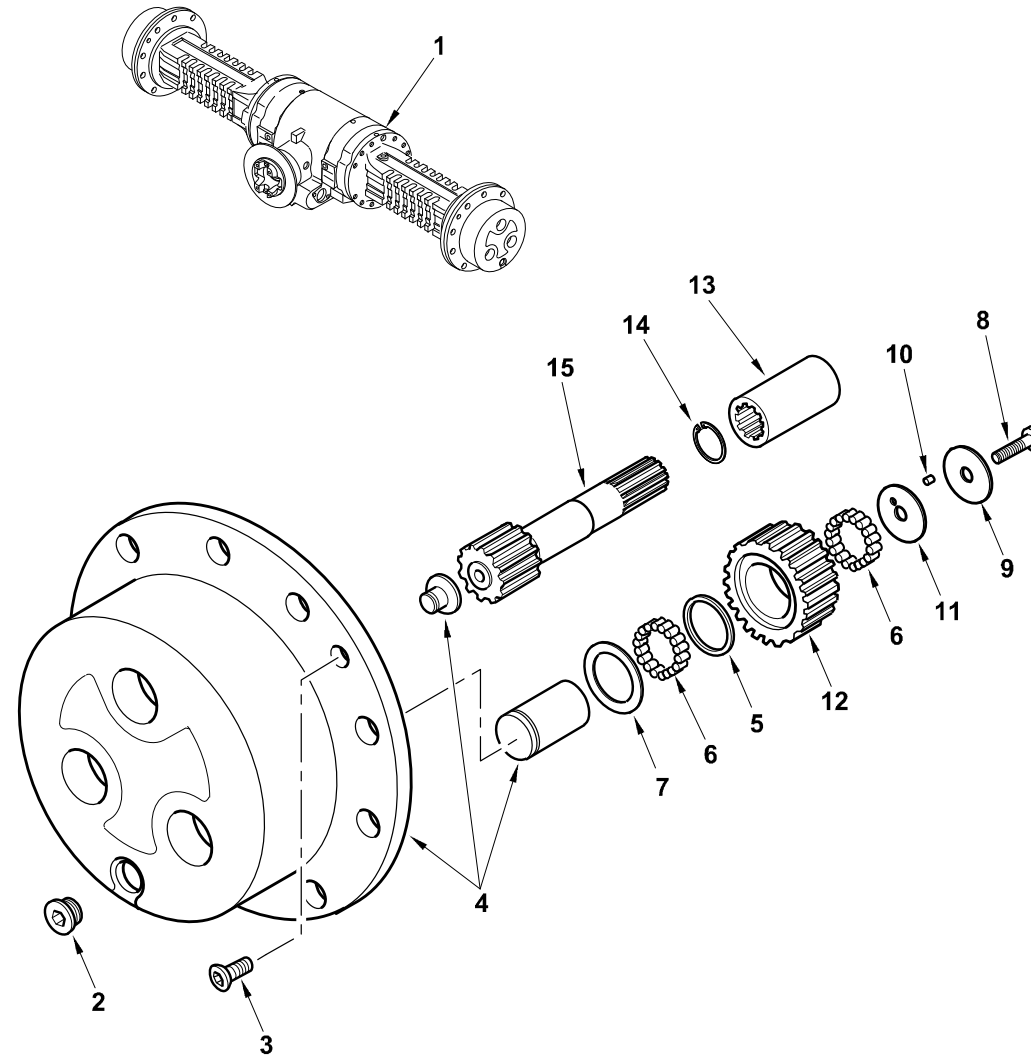


C-37004-07.1-A



Item	Part No.	Qty.	English	French	German	Spanish	Remarks
1	6110550M91	1	Axle - Rear 760/860 Carraro (641903)	Mont. D'Essieu, Arrière	Hinterachse	Puente Trasero, Conj.	
2	6194284M91	1	Kit - Wheel Hub	Moyen Rue, Montage	Radnabe, Kpl	Cubo De Rueda, Conj.	
3	6190302M1	20	Stud	Goujon	Stehbolzen	Espárrago	
4	6193704M1	2	Oil Seal - Hub	Joint D'Arbre	Wellendichtring	Junta De Anillo	
5	3475599M1	4	Bearing, Roller	Roulement, Rouleau	Rollenlager	Cojinete De Bolas	
6	6193409M1	2	O-Ring - Rear Hub	Joint Torique	O-Ring	Junta De Tipo O	
7	6193705M1	2	Retaining Ring	Anneau De Retenue	Befestigungsring	Aro	
8	3523272M1	16	Bush - Epicyclic, 20mm Diam.	Douille	Buechse	Anillo	
9	3475604M1	16	Bolt - M14 X 65	Boulon - M14 X 65	Schraube	Tornillo	
10	6193410M1	2	Gear, Annular - 77 Internal Teeth	Pignon	Zahnrad	Piñón	
11	6193411M1	2	Gear - Rear Epicyclic	Support	Träger	Portador	

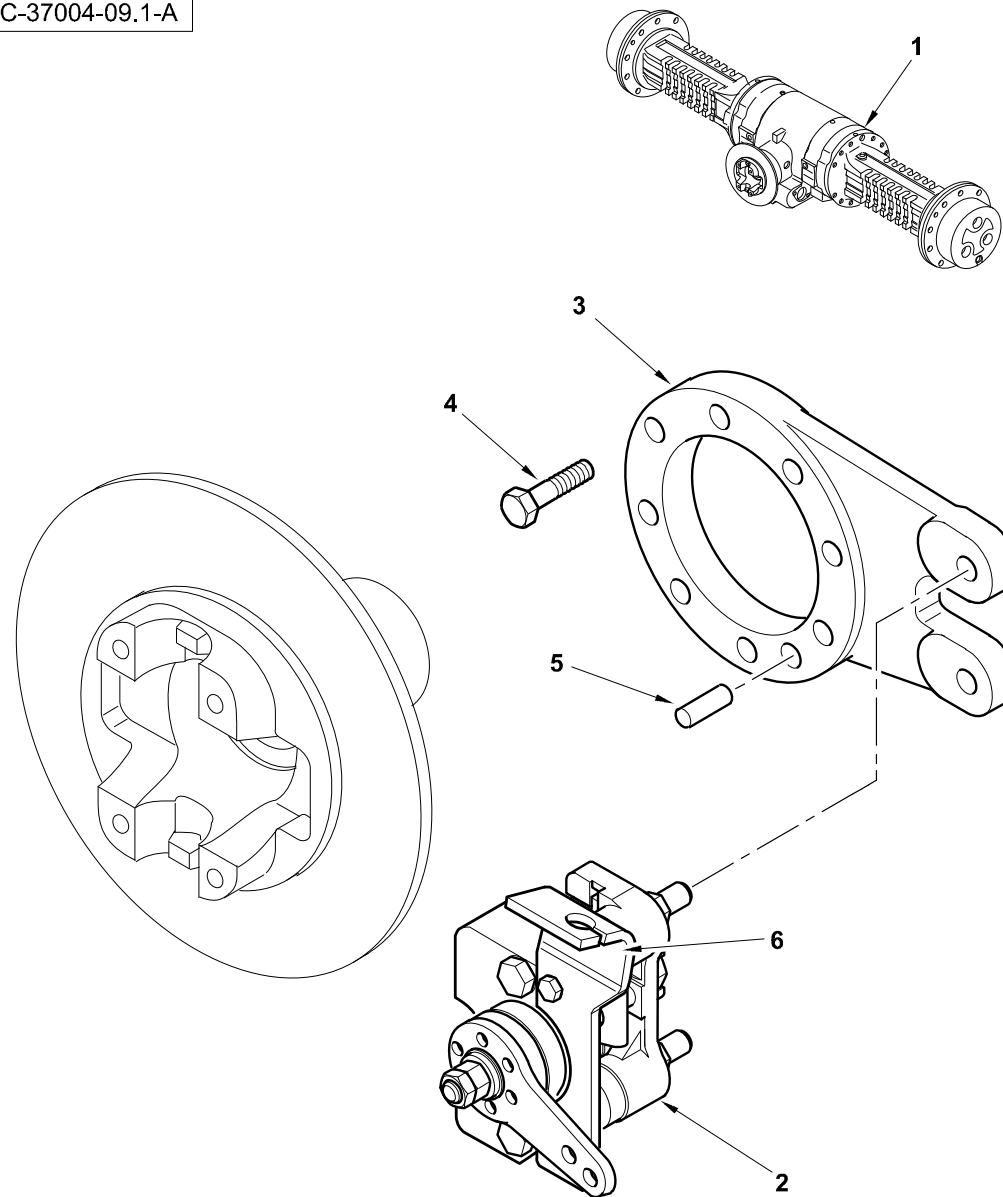
C-37004-08.1-B



Item	Part No.	Qty.	English	French	German	Spanish	Remarks
1	6110550M91	1	Axle - Rear 760/860 Carraro (641903)	Mont. D'Essieu, Arrière	Hinterachse	Puente Trasero, Conj.	
2	3523632M1	2	Plug	Bouchon	Stopfen	Tapón	
3	6190282M1	4	Screw, C/Sunk - M8 X 20	Vis	Schraube	Tornillo	
4	6193412M91	2	Cover & Planetary Carrier - Epicyclic	Support	Träger	Portador	
5	6193413M1	6	Washer - Epicyclic	Rondelle	Scheibe	Arandela	
6	6193414M1	372	Roller , Needle (Pack Of 10)	Aiguille	Nadel	Aguja	
7	6193415M1	6	Washer, Thrust	Rondelle De Butée	Druckscheibe	Arandela De Tope	
8	6190283M1	6	Bolt, Hex. - M10 X 50	Vis	Schraube	Tornillo	
9	6193416M1	6	Washer, Thrust	Rondelle De Butée	Druckscheibe	Arandela De Tope	
10	6193417M1	6	Roller, Needle	Aiguille	Nadel	Aguja	
11	6193418M1	6	Washer, Thrust	Rondelle De Butée	Druckscheibe	Arandela De Tope	
12	6193419M1	6	Gear, 31t - Epicyclic	Pignon	Zahnrad	Piñón	
13	6193420M1	2	Sleeve, Splined - Drive Shaft	Bague	Büchse	Anillo	
14	6193421M1	2	Circlip	Segment D'Arrêt	Sicherungsring	Anillo De Resorte	
15	6193422M1	2	Shaft, Outer - 13t	Arbre	Welle	Árbol	



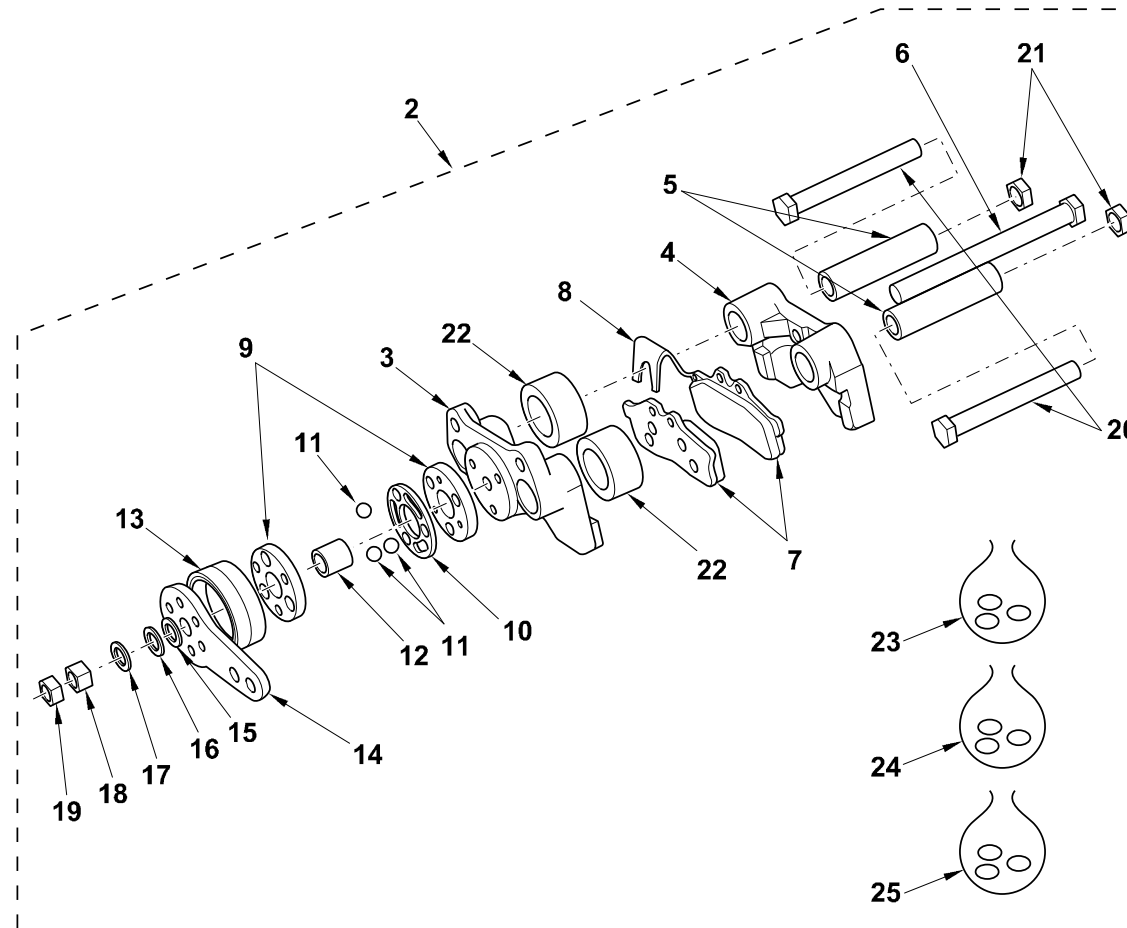
C-37004-09.1-A



Item	Part No.	Qty.	English	French	German	Spanish	Remarks
1	6110550M91	1	Axle - Rear 760/860 Carraro (641903)	Mont. D'Essieu, Arrière	Hinterachse	Puente Trasero, Conj.	
2	6193423M91	1	Caliper Assy. - Handbrake	Mâchoire, Frein	Bremszange	Calibrador De Freno	37004c10.1 2
3	6194511M1	1	Flange	Flasque	Flansch	Brida De Unión	
4	6194512M1	8	Screw M12 X 35	Vis M12 X 35	Schraube M12 X 35	Tornillo	
5	6193426M1	1	Pin, Dowel - 12 X 25mm	Axe	Bolzen	Pasador	
6	6193427M1	1	Bracket - Handbrake Cable	Patte Fixation	Halter	Pata De Fijación	

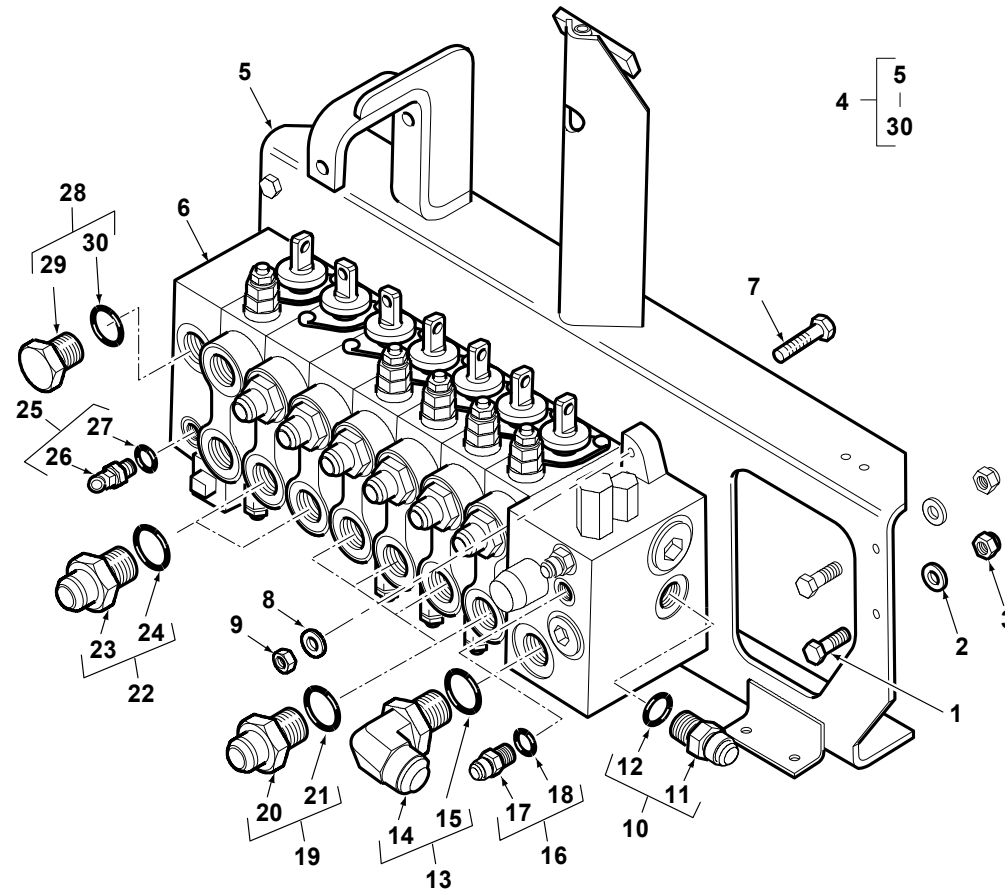


C-37004-10.1-A



Item	Part No.	Qty.	English	French	German	Spanish	Remarks
1	6110550M91	1	Axle - Rear 760/860 Carraro (641903)	Mont. D'Essieu, Arrière	Hinterachse	Puente Trasero, Conj.	Continued
2	6193423M91	1	Caliper Assy. - Handbrake	Mâchoire, Frein	Bremszange	Calibrador De Freno	37004c09.1 2
3	#PLATE	1	Plate	Plaque	Platte	Plato	Ref. 2
4	#PLATE	1	Plate	Plaque	Platte	Plato	Ref. 2
5	#SLEEVE	2	Sleeve	Manchon	Hülse	Mancha	
6	#BOLT	1	Bolt	Boulon	Schraubbolzen	Perno	
7	#LINING, BRAKE	2	Lining, Brake	Lining, Brake	Lining, Brake	Lining, Brake	
8	#SPRING	1	Spring	Ressort	Feder	Muelle	
9	#CAM	2	Cam	Cam	Cam	Cam	
10	#RING	1	Ring	Anneau	Ring	Aro	
11	#BEARING, BALL	3	Bearing, Ball	Bearing, Ball	Bearing, Ball	Bearing, Ball	
12	#SEAL	1	Seal	Joint Étanchéité	Dichtring	Retén	
13	#BOOT	1	Boot	Boot	Boot	Boot	
14	6193747M1	1	Lever - Handbrake Caliper	Levier	Hebel	Palanca	
15	#WASHER	1	Washer	Rondelle	Unterlegscheibe	Arandela	
16	#WASHER	1	Washer	Rondelle	Unterlegscheibe	Arandela	
17	#WASHER	1	Washer	Rondelle	Unterlegscheibe	Arandela	
18	#NUT	1	Nut	Ecrou	Mutter	Tuerca	
19	#NUT	1	Nut	Ecrou	Mutter	Tuerca	
20	#BOLT	2	Bolt	Boulon	Schraubbolzen	Perno	
21	#NUT	2	Nut	Ecrou	Mutter	Tuerca	
22	#SLEEVE	2	Sleeve	Manchon	Hülse	Mancha	
23	6193748M91	0	Parts Kit-Hardware & Linings	Lot De Pièces	Ersatzteilpaket	Juego De Servicio	
24	6193749M91	0	Parts Kit - Cam	Lot De Pièces	Ersatzteilpaket	Juego De Servicio	
25	6193750M91	0	Parts Kit - Linings	Lot De Pieces	Ersatzteilpaket	Juego De Servicio	

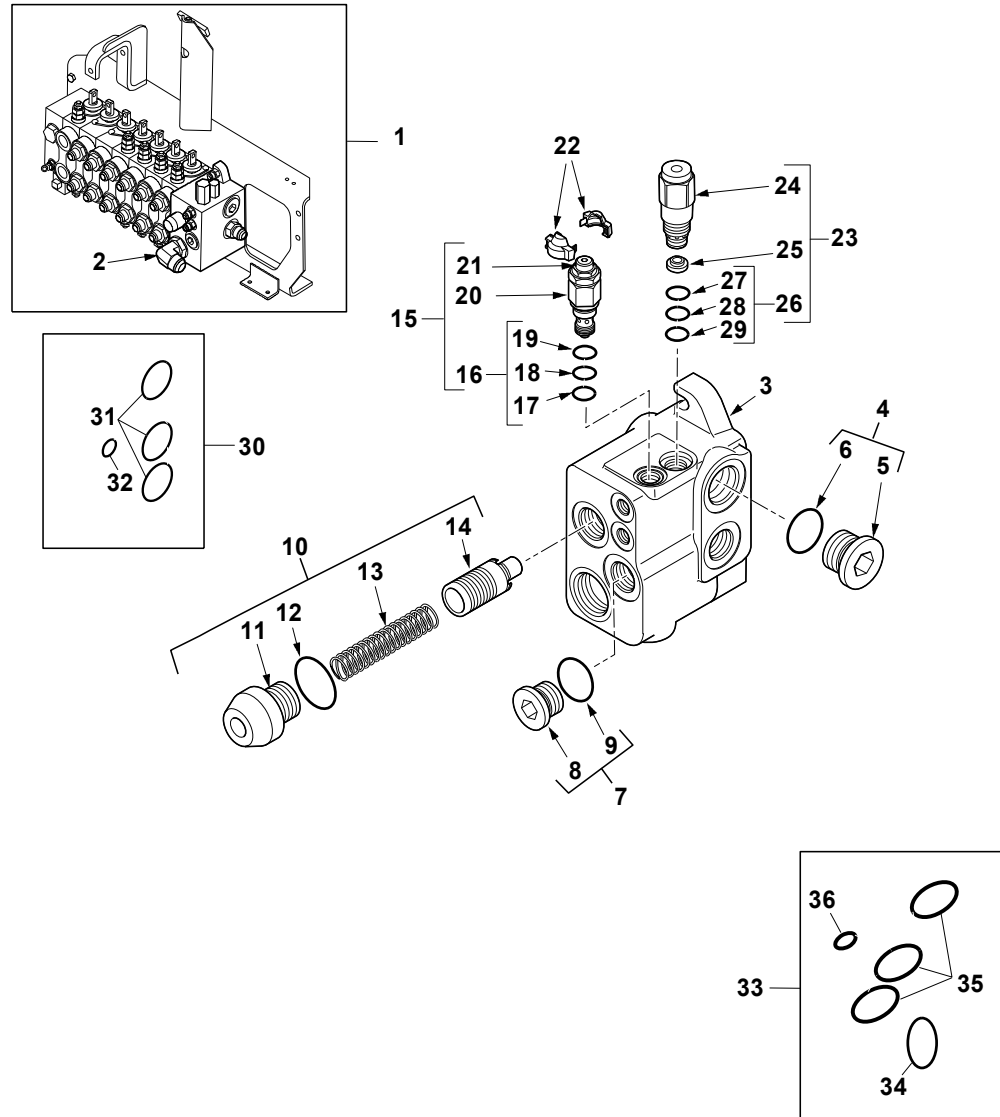
C-38001-01.1-A



Item	Part No.	Qty.	English	French	German	Spanish	Remarks
1	3009493X1	4	Bolt M10-30 Z5c	Boulon M10 X 30	Maschschraube M10	Perno	
2	385362X1	4	Washer, Hardened - M10	Rondelle - M10	Unterlegscheibe M10	Arandela	
3	1440329X1	4	Nut, Hex. - Nyloc, M10	Ecrou Blocage	Flachmutter M10	Tuerca De Retención	
4	6109327M91	1	Valve Assy - Digger Sideshift Rexroth	Ensemble Distribution	Steuerventilblock Kpl.	Distribuidor, Conj.	
5	6109344M93	1	Bracket- Digger Valve W/Assy	Ensemble Chaise Pali	Bremsanlage	Cuchara, Conj.	
6	6109206M91	1	Valve-7sp Mech. Ss 08/401/331	Ensemble Distribution	Steuerventilblock Kpl.	Distribuidor, Conj.	
7	3009496X1	3	Bolt Hex - M10 X 45 (Coarse)	Boulon M10 X 45	Maschschraube - M10	Tornillo	
8	385362X1	3	Washer, Hardened - M10	Rondelle - M10	Unterlegscheibe M10	Arandela	
9	1440329X1	3	Nut, Hex. - Nyloc, M10	Ecrou Blocage	Flachmutter M10	Tuerca De Retención	
10	835057M91	1	Connector B1510m-12-12	Raccord	Schraubanschluss	Conexión, Conj.	
11	#UNION	1	Union	Union	Union	Union	Ref. 10
12	835025M1	1	Ring O	Joint Torique	O Ring	Junta De Tipo O	
13	358766X91	1	Elbow 90deg	Coude	Kniestück, 90	Codo, 90°	
14	#ELBOW	1	Elbow	Elbow	Elbow	Elbow	Ref. 13
15	835026M1	1	O-Ring	Joint Torique	O-Ring	Junta De Tipo O	
16	835091M91	2	Connector 9/16 Unf	Borne	Doppelnippel	Unión	
17	#UNION	1	Union	Union	Union	Union	Ref. 16
18	831452M1	1	O Ring (Pack Of 10)	Joint Torique	O Ring	Junta De Tipo O	
19	365715X91	8	Connector, Hydr.-Straight, 1 1/16 X 7/8	Borne	Doppelnippel	Conexión, Conj.	
20	#UNION	1	Union	Union	Union	Union	Ref. 19
21	835025M1	1	Ring O	Joint Torique	O Ring	Junta De Tipo O	
22	365713X91	4	Connector 1.1/16 - 3/4	Montage	Anschlverschrbg	Unión	
23	#UNION	1	Union	Union	Union	Union	Ref. 22
24	835025M1	1	Ring O	Joint Torique	O Ring	Junta De Tipo O	
25	358781X91	1	Elbow 45 Deg 4ws	Coude 135°	Winkelstuck 135°	Codo, 45°	
26	#ELBOW	1	Elbow	Elbow	Elbow	Elbow	Ref. 25
27	831452M1	1	O Ring (Pack Of 10)	Joint Torique	O Ring	Junta De Tipo O	
28	835099M91	1	Plug 1.1/16	Bouchon	Stopfen	Tapón, Conj.	
29	#PLUG	1	Plug	Plug	Plug	Plug	Ref. 28
30	835025M1	1	Ring O	Joint Torique	O Ring	Junta De Tipo O	



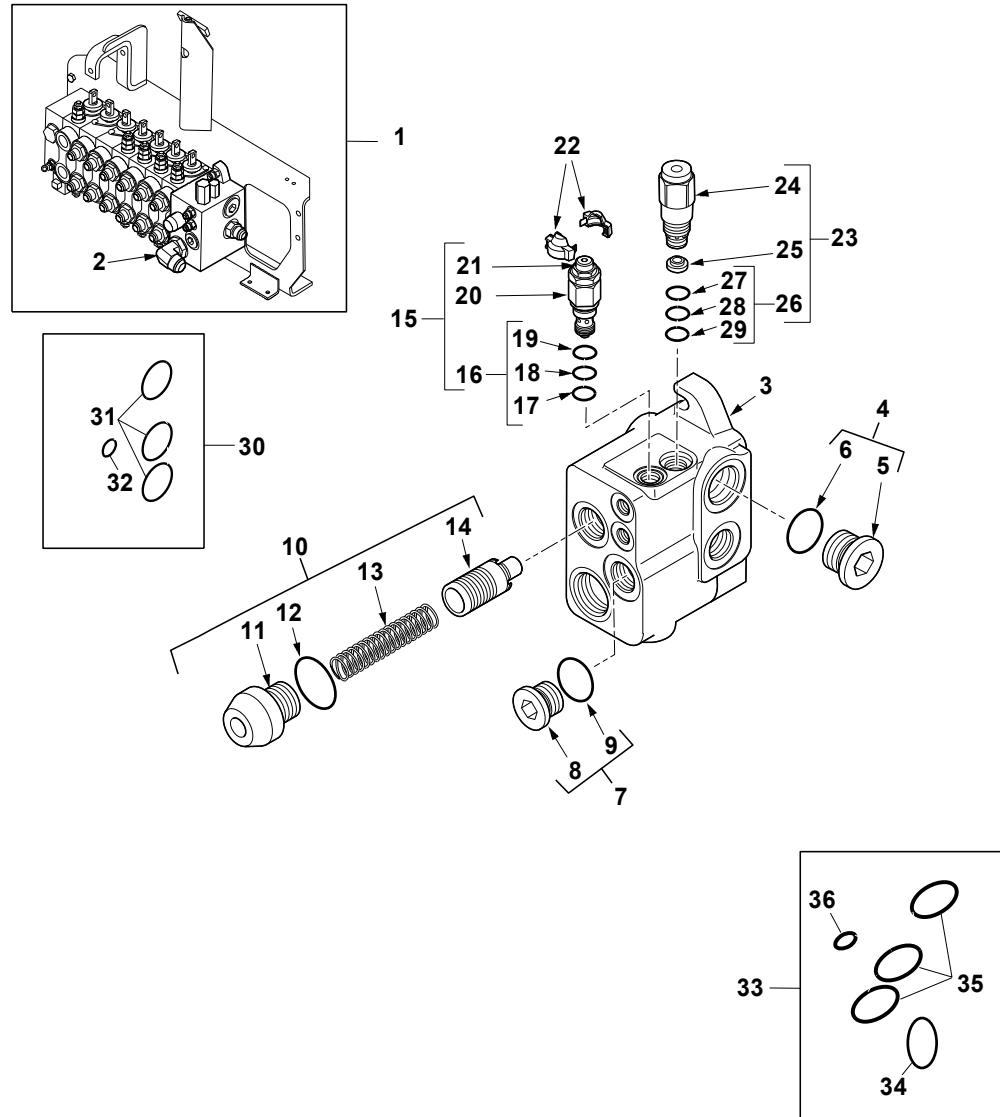
C-38001-02.1-A



Item	Part No.	Qty.	English	French	German	Spanish	Remarks
1	6109206M91	1	Valve-7sp Mech. Ss 08/401/331	Ensemble Distribution	Steuerventilblock Kpl.	Distribuidor, Conj.	
2	#VALVE ASSY	1	Valve Assy	Valve Assy	Valve Assy	Valve Assy	Inlet
3	#BODY	1	Body	Body	Body	Body	Ref. 2
4	6193772M91	1	Plug Fot T Port 5/16 Unf	Bouchon	Stopfen	Tapón, Conj.	
5	#PLUG	1	Plug	Plug	Plug	Plug	Ref. 4
6	#O-RING	1	O-Ring	Joint Torique	O-Ring	Junta Tórica	Ref. 4
7	6193773M91	1	Plug For P 1.1/16 Unf	Bouchon	Stopfen	Tapón, Conj.	
8	#PLUG	1	Plug	Plug	Plug	Plug	Ref. 7
9	#O-RING	1	O-Ring	Joint Torique	O-Ring	Junta Tórica	Ref. 7
10	6193786M91	1	Regulating Kit	Ens. Soupape Pression	Druckventil Kpl.	Válvula Presión, Conj.	
11	#VALVE	1	Valve	Soupape	Ventil	Válvula	Ref. 10
12	#O-RING	1	O-Ring	Joint Torique	O-Ring	Junta Tórica	Ref. 10
13	#SPRING	1	Spring	Ressort	Feder	Muelle	Ref. 10
14	#BODY	1	Body	Body	Body	Body	Ref. 10
15	6193787M91	1	Ls Pressure Relief Valve	Soupape De Sécurité	Überdruckventil	Válvula De Seguridad	
16	6193791M91	1	Seal Kit - L/S Valve	Jeu Étanchéité	Dichtringsatz	Juego De Juntas	
17	#O-RING	1	O-Ring	Joint Torique	O-Ring	Junta Tórica	Ref. 17
18	#O-RING	1	O-Ring	Joint Torique	O-Ring	Junta Tórica	Ref. 17
19	#O-RING	1	O-Ring	Joint Torique	O-Ring	Junta Tórica	Ref. 17
20	#VALVE	1	Valve	Soupape	Ventil	Válvula	Ref. 16
21	#NUT	1	Nut	Ecrou	Mutter	Tuerca	Ref. 16
22	#COVER	0	Cover	Cover	Cover	Cover	Ref. 2
23	6193788M91	1	Flow Regulator 0.7 Lt/Min + Filter	Valve Anti-Surdébit	Begrenzungsventil	Válv. Antisobrecaud.	
24	#VALVE	1	Valve	Soupape	Ventil	Válvula	Ref. 24
25	#ELEMENT	1	Element	Element	Element	Element	Ref. 24
26	6193790M91	1	Seal Kit - Flow Regulator	Jeu Étanchéité	Dichtringsatz	Juego De Juntas	
27	#O-RING	1	O-Ring	Joint Torique	O-Ring	Junta Tórica	Ref. 27
28	#O-RING	1	O-Ring	Joint Torique	O-Ring	Junta Tórica	Ref. 27
29	#O-RING	1	O-Ring	Joint Torique	O-Ring	Junta Tórica	Ref. 27
30	6193771M91	1	Seal Interface Kit	Pochette De Joints	Dichtsatz	Juego De Juntas	

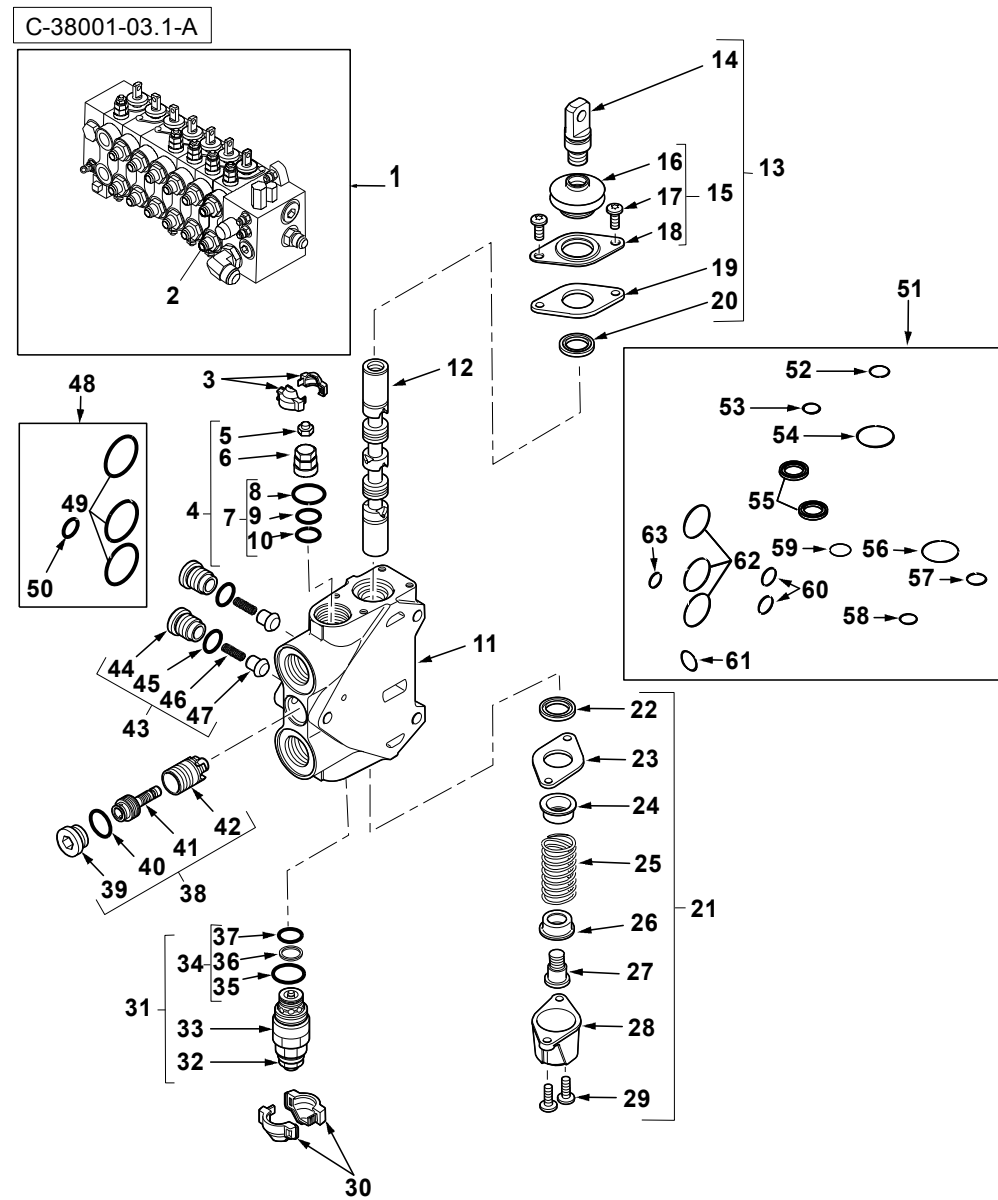


C-38001-02.1-A



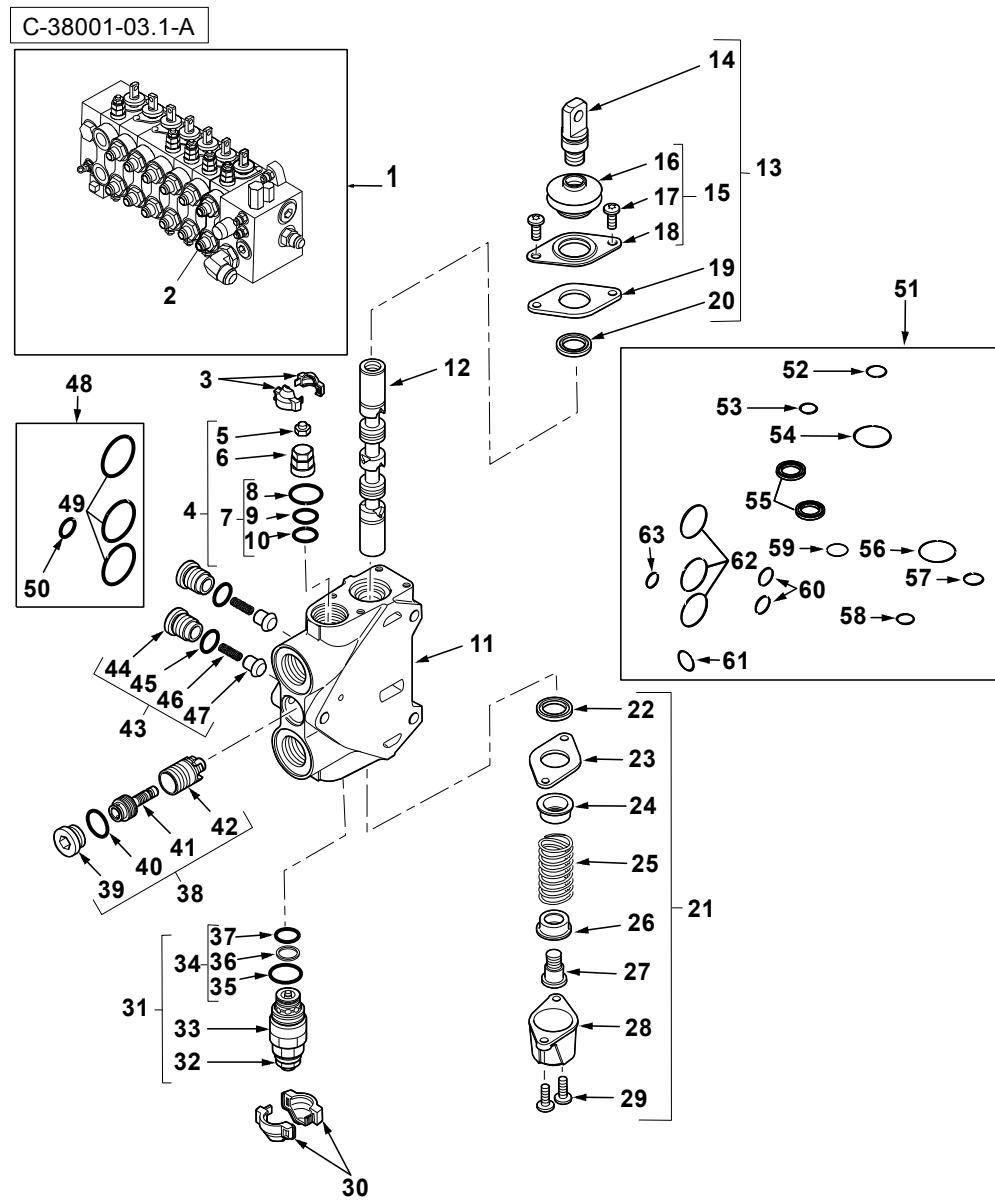
Item	Part No.	Qty.	English	French	German	Spanish	Remarks
31	#O-RING	3	O-Ring	Joint Torique	O-Ring	Junta Tórica	Ref. 31
32	#O-RING	1	O-Ring	Joint Torique	O-Ring	Junta Tórica	Ref. 31
33	6193789M91	1	Seal Kit - Inlet Element	Jeu Étanchéité	Dichtringsatz	Juego De Juntas	
34	#O-RING	1	O-Ring	Joint Torique	O-Ring	Junta Tórica	Ref. 35
35	#O-RING	3	O-Ring	Joint Torique	O-Ring	Junta Tórica	Ref. 35
36	#O-RING	1	O-Ring	Joint Torique	O-Ring	Junta Tórica	Ref. 35





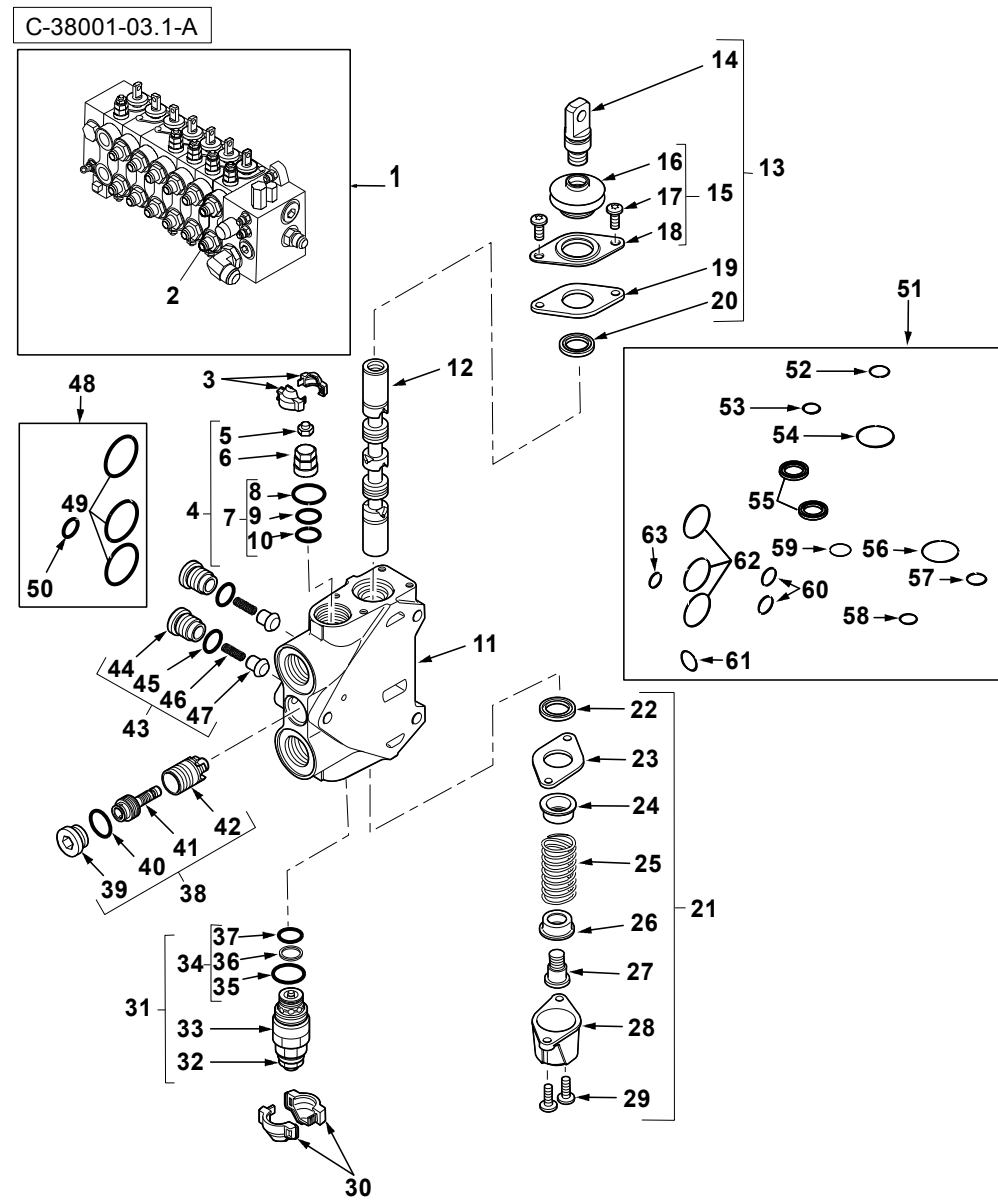
Item	Part No.	Qty.	English	French	German	Spanish	Remarks
1	6109206M91	1	Valve-7sp Mech. Ss 08/401/331	Ensemble Distribution	Steuerventilblock Kpl.	Distribuidor, Conj.	Continued
2	#VALVE ASSY	1	Valve Assy	Valve Assy	Valve Assy	Valve Assy	
3	#COVER	0	Cover	Cover	Cover	Cover	Ref. 2
4	6193800M91	1	Pressure Relief Valve H 240 Bar	Valve Decharge	Druckbegrventil	Válvula De Seguridad	
5	#NUT	1	Nut	Ecrou	Mutter	Tuerca	Ref. 4
6	#VALVE	1	Valve	Soupape	Ventil	Válvula	Ref. 4
7	6193779M91	1	Seal Kit - Relief Valve	Jeu Étanchéité	Dichtringsatz	Juego De Juntas	
8	#O-RING	1	O-Ring	Joint Torique	O-Ring	Junta Tórica	Ref. 7
9	#O-RING	1	O-Ring	Joint Torique	O-Ring	Junta Tórica	Ref. 7
10	#O-RING	1	O-Ring	Joint Torique	O-Ring	Junta Tórica	Ref. 7
11	#BODY	1	Body	Body	Body	Body	Ref. 2
12	#SPOOL	1	Spool	Spool	Spool	Spool	Ref. 2
13	6193780M91	1	Kit - Mechanical Optd Z1	Lot De Pièces	Ersatzteilpaket	Juego De Piezas	
14	#SCREW	1	Screw	Vis	Schraube	Tornillo	Ref. 13
15	6193783M91	1	Bellows Kit	Lot De Pieces	Dichtung	Juego De Piezas	
16	#SEAL	1	Seal	Joint Étanchéité	Dichtring	Retén	Ref. 15
17	#SCREW	1	Screw	Vis	Schraube	Tornillo	Ref. 15
18	#COVER	2	Cover	Cover	Cover	Cover	Ref. 15
19	#PLATE	1	Plate	Plaque	Platte	Plato	Ref. 13
20	6194492M1	1	Lip Seal - Rexorth Ref: 8100160	Joint Étanchéité	Dichtring	Junta	
21	6193784M91	1	Mechanical Optd Kit	Lot De Pièces	Ersatzteilpaket	Juego De Piezas	
22	6194492M1	1	Lip Seal - Rexorth Ref: 8100160	Joint Étanchéité	Dichtring	Junta	
23	#PLATE	1	Plate	Plaque	Platte	Plato	Ref. 21
24	#HOLDER	1	Holder	Holder	Holder	Holder	Ref. 21
25	#SPRING	1	Spring	Ressort	Feder	Muelle	Ref. 21
26	#HOLDER	1	Holder	Holder	Holder	Holder	Ref. 21
27	#SCREW	1	Screw	Vis	Schraube	Tornillo	Ref. 21
28	#CAP	1	Cap	Chapeau	Kappe	Tapa	Ref. 21
29	#SCREW	2	Screw	Vis	Schraube	Tornillo	Ref. 21
30	#COVER	0	Cover	Cover	Cover	Cover	Ref. 21





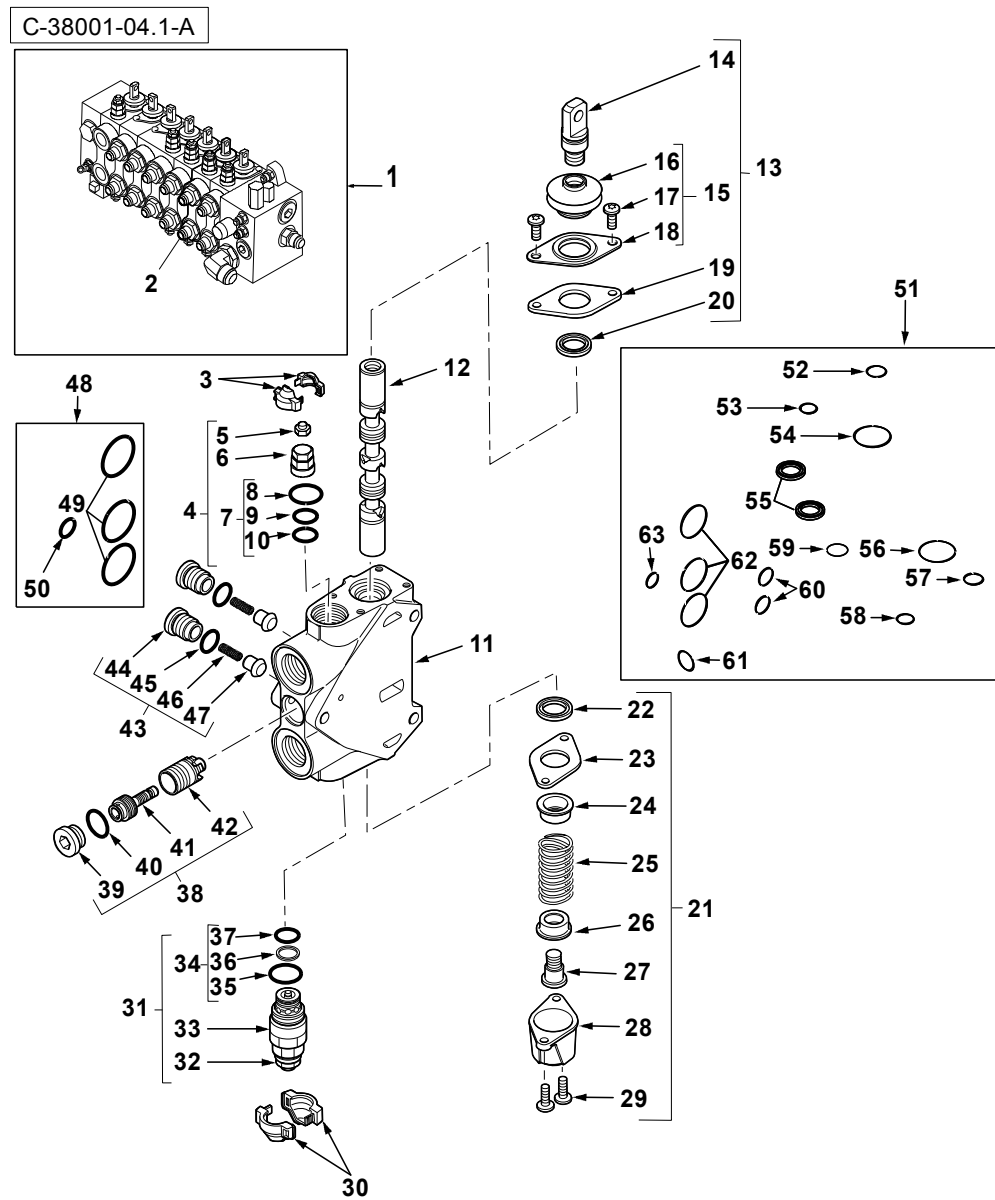
Item	Part No.	Qty.	English	French	German	Spanish	Remarks
31	6193800M91	1	Pressure Relief Valve H 240 Bar	Valve Decharge	Druckbegrentil	Válvula De Seguridad	
32	#NUT	1	Nut	Ecrou	Mutter	Tuerca	Ref. 31
33	#VALVE	1	Valve	Soupape	Ventil	Válvula	Ref. 31
34	6193779M91	1	Seal Kit - Relief Valve	Jeu Étanchéité	Dichtringsatz	Juego De Juntas	
35	#O-RING	1	O-Ring	Joint Torique	O-Ring	Junta Tórica	Ref. 34
36	#O-RING	1	O-Ring	Joint Torique	O-Ring	Junta Tórica	Ref. 34
37	#O-RING	1	O-Ring	Joint Torique	O-Ring	Junta Tórica	Ref. 34
38	6193774M91	1	Kit - Compensator	Ensemble De Soupape	Ventil Kpl.	Válvula, Conj.	
39	#PLUG	1	Plug	Plug	Plug	Plug	Ref. 38
40	#O-RING	1	O-Ring	Joint Torique	O-Ring	Junta Tórica	Ref. 38
41	#VALVE	1	Valve	Soupape	Ventil	Válvula	Ref. 38
42	#BODY	1	Body	Body	Body	Body	Ref. 38
43	6193775M91	2	Check Valve Kit	Clapet Anti-Retour	Rückschlagventil	Válvula De Parada	
44	#PLUG	1	Plug	Plug	Plug	Plug	Ref. 43
45	#O-RING	1	O-Ring	Joint Torique	O-Ring	Junta Tórica	Ref. 43
46	#SPRING	1	Spring	Ressort	Feder	Muelle	Ref. 43
47	#VALVE	1	Valve	Soupape	Ventil	Válvula	Ref. 43
48	6193771M91	1	Seal Interface Kit	Pochette De Joints	Dichtsatz	Juego De Juntas	
49	#O-RING	3	O-Ring	Joint Torique	O-Ring	Junta Tórica	Ref. 48
50	#O-RING	1	O-Ring	Joint Torique	O-Ring	Junta Tórica	Ref. 48
51	6193781M91	0	Seal Kit Complete	Jeu Etancheite	Dichtringsatz	Juege De Juntas	
52	#O-RING	1	O-Ring	Joint Torique	O-Ring	Junta Tórica	18.77 X 1.78 Ref. 51
53	#O-RING	1	O-Ring	Joint Torique	O-Ring	Junta Tórica	15.6 X 1.78 Ref. 51
54	#O-RING	1	O-Ring	Joint Torique	O-Ring	Junta Tórica	36.3 X 1.78 Ref. 51
55	6194492M1	2	Lip Seal - Rexorth Ref: 8100160	Joint Étanchéité	Dichtring	Junta	
56	#O-RING	1	O-Ring	Joint Torique	O-Ring	Junta Tórica	36.3 X 1.78 Ref. 51
57	#O-RING	1	O-Ring	Joint Torique	O-Ring	Junta Tórica	18.77 X 1.78 Ref. 51
58	#O-RING	1	O-Ring	Joint Torique	O-Ring	Junta Tórica	15.6 X 1.78 Ref. 51
59	#O-RING	1	O-Ring	Joint Torique	O-Ring	Junta Tórica	18 X 2.5 Ref. 51
60	#O-RING	2	O-Ring	Joint Torique	O-Ring	Junta Tórica	15 X 2 Ref. 51





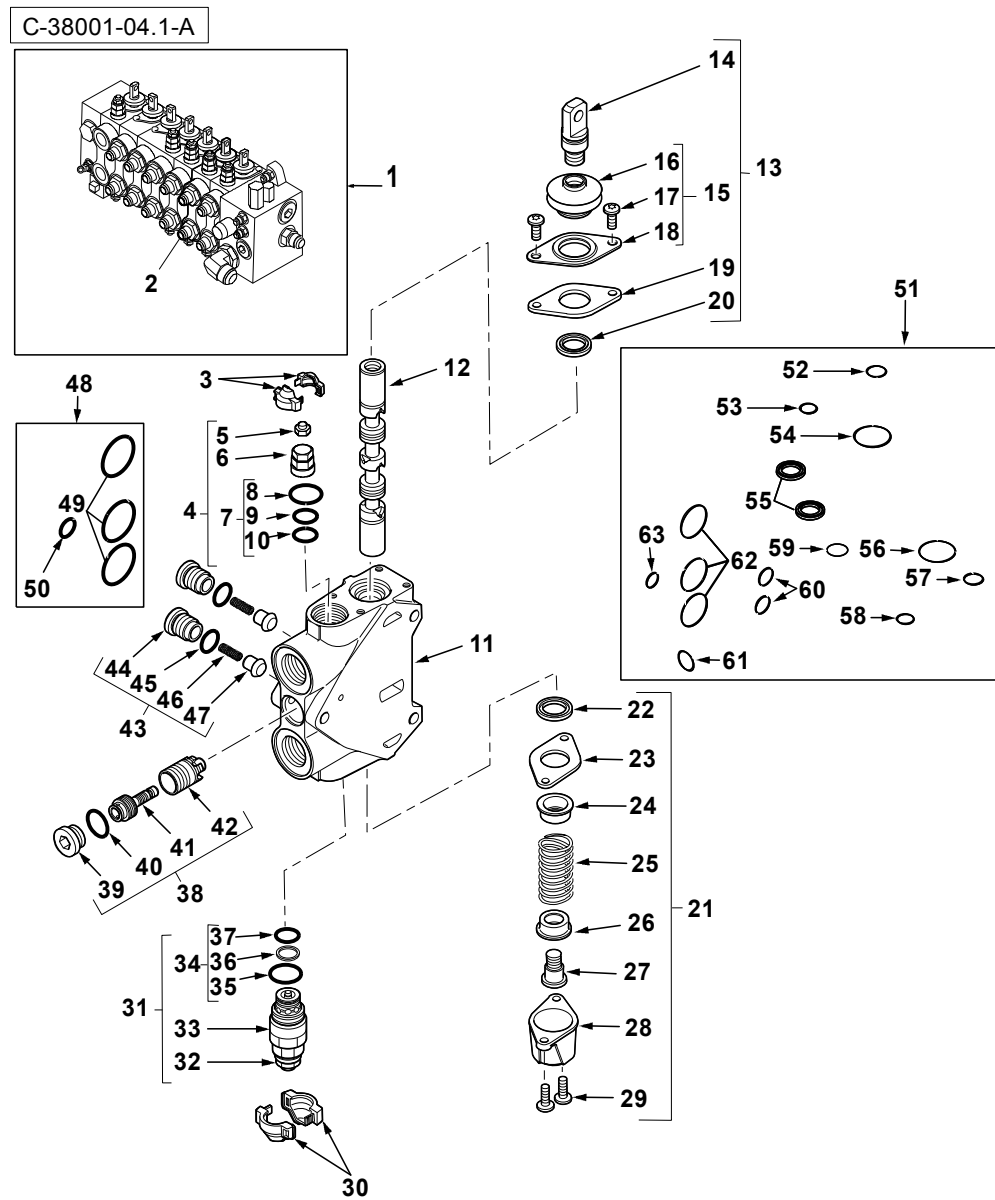
Item	Part No.	Qty.	English	French	German	Spanish	Remarks
61	#O-RING	1	O-Ring	Joint Torique	O-Ring	Junta Tórica	19.4 X 2.1 Ref. 51
62	#O-RING	3	O-Ring	Joint Torique	O-Ring	Junta Tórica	29.82 X 2.62 Ref. 51
63	#O-RING	1	O-Ring	Joint Torique	O-Ring	Junta Tórica	10.77 X 2.62 Ref. 51





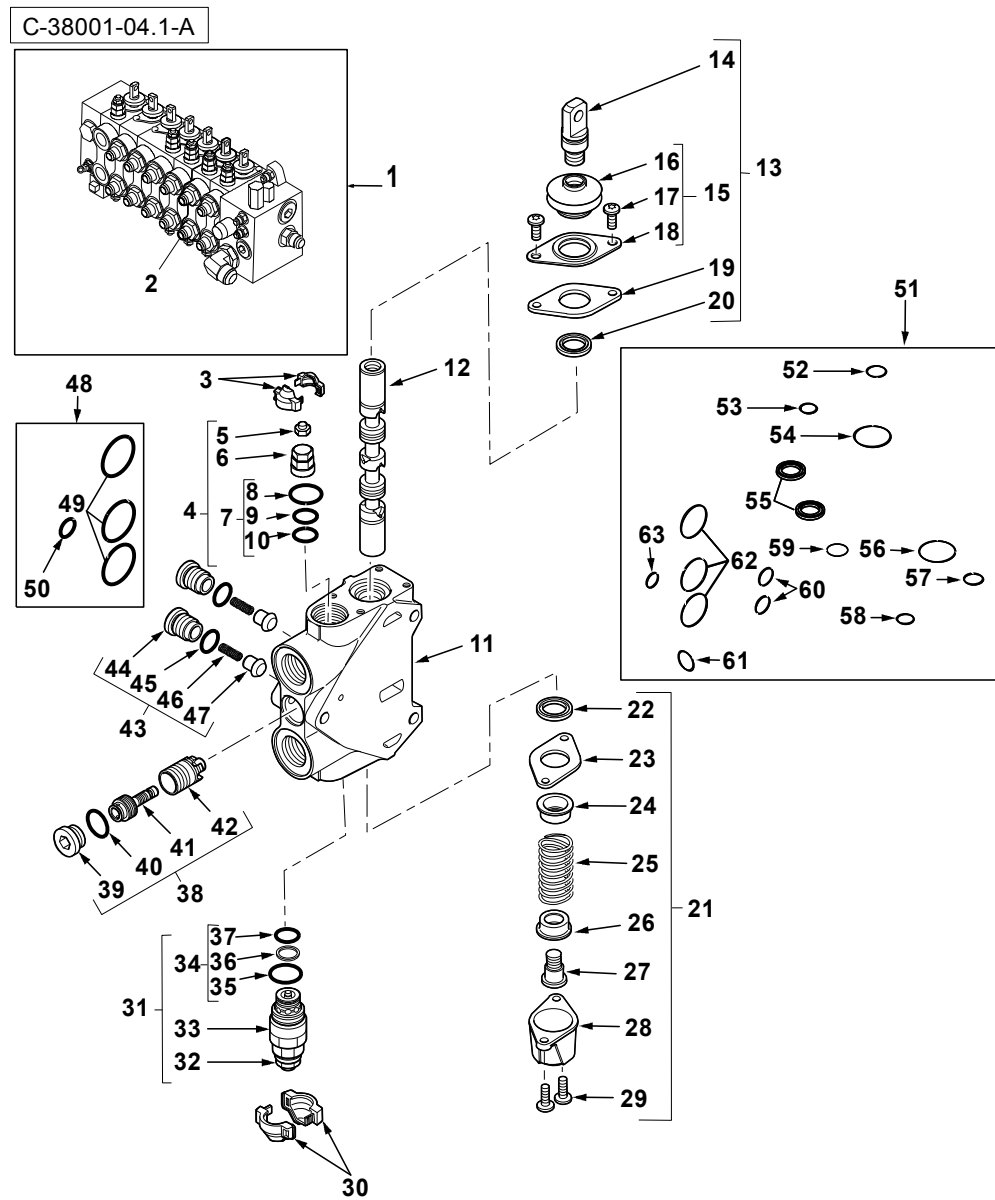
Item	Part No.	Qty.	English	French	German	Spanish	Remarks
1	6109206M91	1	Valve-7sp Mech. Ss 08/401/331	Ensemble Distribution	Steuerventilblock Kpl.	Distribuidor, Conj.	Continued
2	#VALVE ASSY	1	Valve Assy	Valve Assy	Valve Assy	Valve Assy	
3	#COVER	0	Cover	Cover	Cover	Cover	Ref. 2
4	6193800M91	1	Pressure Relief Valve H 240 Bar	Valve Decharge	Druckbegrventil	Válvula De Seguridad	
5	#NUT	1	Nut	Ecrou	Mutter	Tuerca	Ref. 4
6	#VALVE	1	Valve	Soupape	Ventil	Válvula	Ref. 4
7	6193779M91	1	Seal Kit - Relief Valve	Jeu Étanchéité	Dichtringsatz	Juego De Juntas	
8	#O-RING	1	O-Ring	Joint Torique	O-Ring	Junta Tórica	Ref. 7
9	#O-RING	1	O-Ring	Joint Torique	O-Ring	Junta Tórica	Ref. 7
10	#O-RING	1	O-Ring	Joint Torique	O-Ring	Junta Tórica	Ref. 7
11	#BODY	1	Body	Body	Body	Body	Ref. 2
12	#SPOOL	1	Spool	Spool	Spool	Spool	Ref. 2
13	6193780M91	1	Kit - Mechanical Optd Z1	Lot De Pièces	Ersatzteilpaket	Juego De Piezas	
14	#SCREW	1	Screw	Vis	Schraube	Tornillo	Ref. 13
15	6193783M91	1	Bellows Kit	Lot De Pieces	Dichtung	Juego De Piezas	
16	#SEAL	1	Seal	Joint Étanchéité	Dichtring	Retén	Ref. 15
17	#SCREW	1	Screw	Vis	Schraube	Tornillo	Ref. 15
18	#COVER	2	Cover	Cover	Cover	Cover	Ref. 15
19	#PLATE	1	Plate	Plaque	Platte	Plato	Ref. 13
20	6194492M1	1	Lip Seal - Rexorth Ref: 8100160	Joint Étanchéité	Dichtring	Junta	
21	6193784M91	1	Mechanical Optd Kit	Lot De Pièces	Ersatzteilpaket	Juego De Piezas	
22	6194492M1	1	Lip Seal - Rexorth Ref: 8100160	Joint Étanchéité	Dichtring	Junta	
23	#PLATE	1	Plate	Plaque	Platte	Plato	Ref. 21
24	#HOLDER	1	Holder	Holder	Holder	Holder	Ref. 21
25	#SPRING	1	Spring	Ressort	Feder	Muelle	Ref. 21
26	#HOLDER	1	Holder	Holder	Holder	Holder	Ref. 21
27	#SCREW	1	Screw	Vis	Schraube	Tornillo	Ref. 21
28	#CAP	1	Cap	Chapeau	Kappe	Tapa	Ref. 21
29	#SCREW	2	Screw	Vis	Schraube	Tornillo	Ref. 21
30	#COVER	0	Cover	Cover	Cover	Cover	Ref. 21





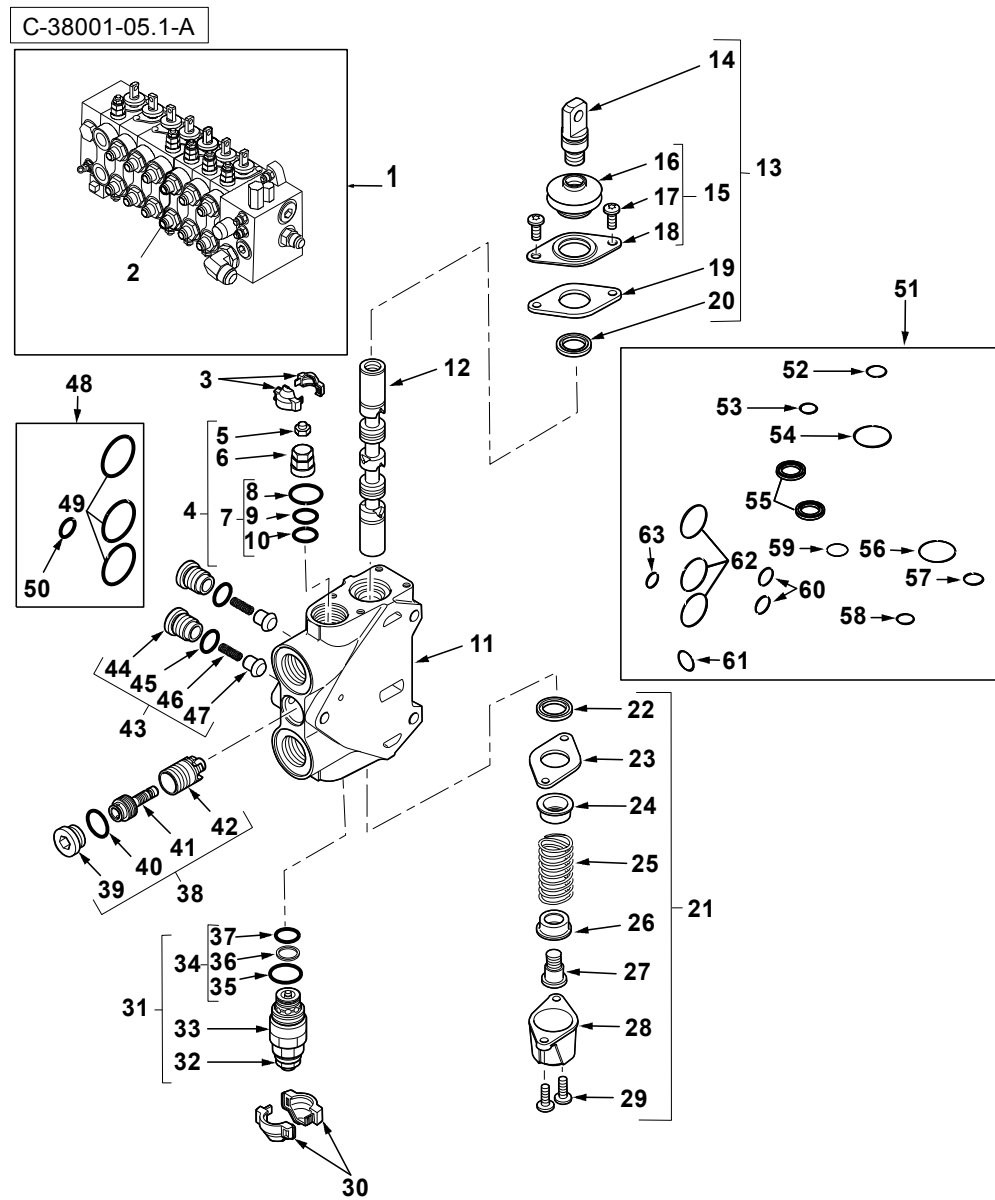
Item	Part No.	Qty.	English	French	German	Spanish	Remarks
31	6193804M91	1	Pressure Relief Valve H (310 Bar)	Valve Decharge	Druckbegrventil	Válvula De Seguridad	
32	#NUT	1	Nut	Ecrou	Mutter	Tuerca	Ref. 31
33	#VALVE	1	Valve	Soupape	Ventil	Válvula	Ref. 31
34	6193779M91	1	Seal Kit - Relief Valve	Jeu Étanchéité	Dichtringsatz	Juego De Juntas	
35	#O-RING	1	O-Ring	Joint Torique	O-Ring	Junta Tórica	Ref. 34
36	#O-RING	1	O-Ring	Joint Torique	O-Ring	Junta Tórica	Ref. 34
37	#O-RING	1	O-Ring	Joint Torique	O-Ring	Junta Tórica	Ref. 34
38	6193774M91	1	Kit - Compensator	Ensemble De Soupape	Ventil Kpl.	Válvula, Conj.	
39	#PLUG	1	Plug	Plug	Plug	Plug	Ref. 38
40	#O-RING	1	O-Ring	Joint Torique	O-Ring	Junta Tórica	Ref. 38
41	#VALVE	1	Valve	Soupape	Ventil	Válvula	Ref. 38
42	#BODY	1	Body	Body	Body	Body	Ref. 38
43	6193775M91	2	Check Valve Kit	Clapet Anti-Retour	Rückschlagventil	Válvula De Parada	
44	#PLUG	1	Plug	Plug	Plug	Plug	Ref. 43
45	#O-RING	1	O-Ring	Joint Torique	O-Ring	Junta Tórica	Ref. 43
46	#SPRING	1	Spring	Ressort	Feder	Muelle	Ref. 43
47	#VALVE	1	Valve	Soupape	Ventil	Válvula	Ref. 43
48	6193771M91	1	Seal Interface Kit	Pochette De Joints	Dichtsatz	Juego De Juntas	
49	#O-RING	3	O-Ring	Joint Torique	O-Ring	Junta Tórica	Ref. 48
50	#O-RING	1	O-Ring	Joint Torique	O-Ring	Junta Tórica	Ref. 48
51	6193781M91	0	Seal Kit Complete	Jeu Etancheite	Dichtringsatz	Juege De Juntas	
52	#O-RING	1	O-Ring	Joint Torique	O-Ring	Junta Tórica	18.77 X 1.78 Ref. 51
53	#O-RING	1	O-Ring	Joint Torique	O-Ring	Junta Tórica	15.6 X 1.78 Ref. 51
54	#O-RING	1	O-Ring	Joint Torique	O-Ring	Junta Tórica	36.3 X 1.78 Ref. 51
55	6194492M1	2	Lip Seal - Rexorth Ref: 8100160	Joint Étanchéité	Dichtring	Junta	
56	#O-RING	1	O-Ring	Joint Torique	O-Ring	Junta Tórica	36.3 X 1.78 Ref. 51
57	#O-RING	1	O-Ring	Joint Torique	O-Ring	Junta Tórica	18.77 X 1.78 Ref. 51
58	#O-RING	1	O-Ring	Joint Torique	O-Ring	Junta Tórica	15.6 X 1.78 Ref. 51
59	#O-RING	1	O-Ring	Joint Torique	O-Ring	Junta Tórica	18 X 2.5 Ref. 51
60	#O-RING	2	O-Ring	Joint Torique	O-Ring	Junta Tórica	15 X 2 Ref. 51





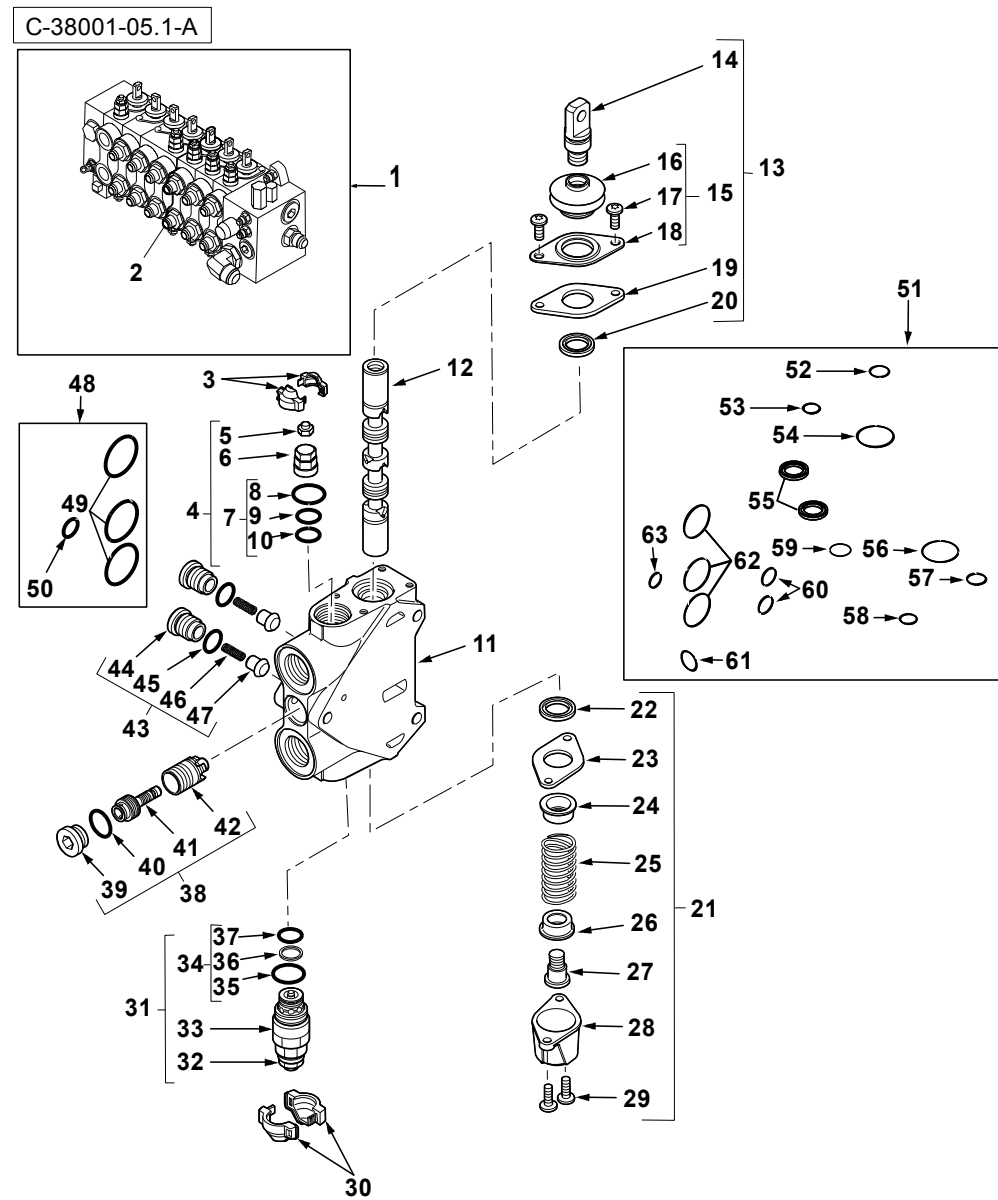
Item	Part No.	Qty.	English	French	German	Spanish	Remarks
61	#O-RING	1	O-Ring	Joint Torique	O-Ring	Junta Tórica	19.4 X 2.1 Ref. 51
62	#O-RING	3	O-Ring	Joint Torique	O-Ring	Junta Tórica	29.82 X 2.62 Ref. 51
63	#O-RING	1	O-Ring	Joint Torique	O-Ring	Junta Tórica	10.77 X 2.62 Ref. 51





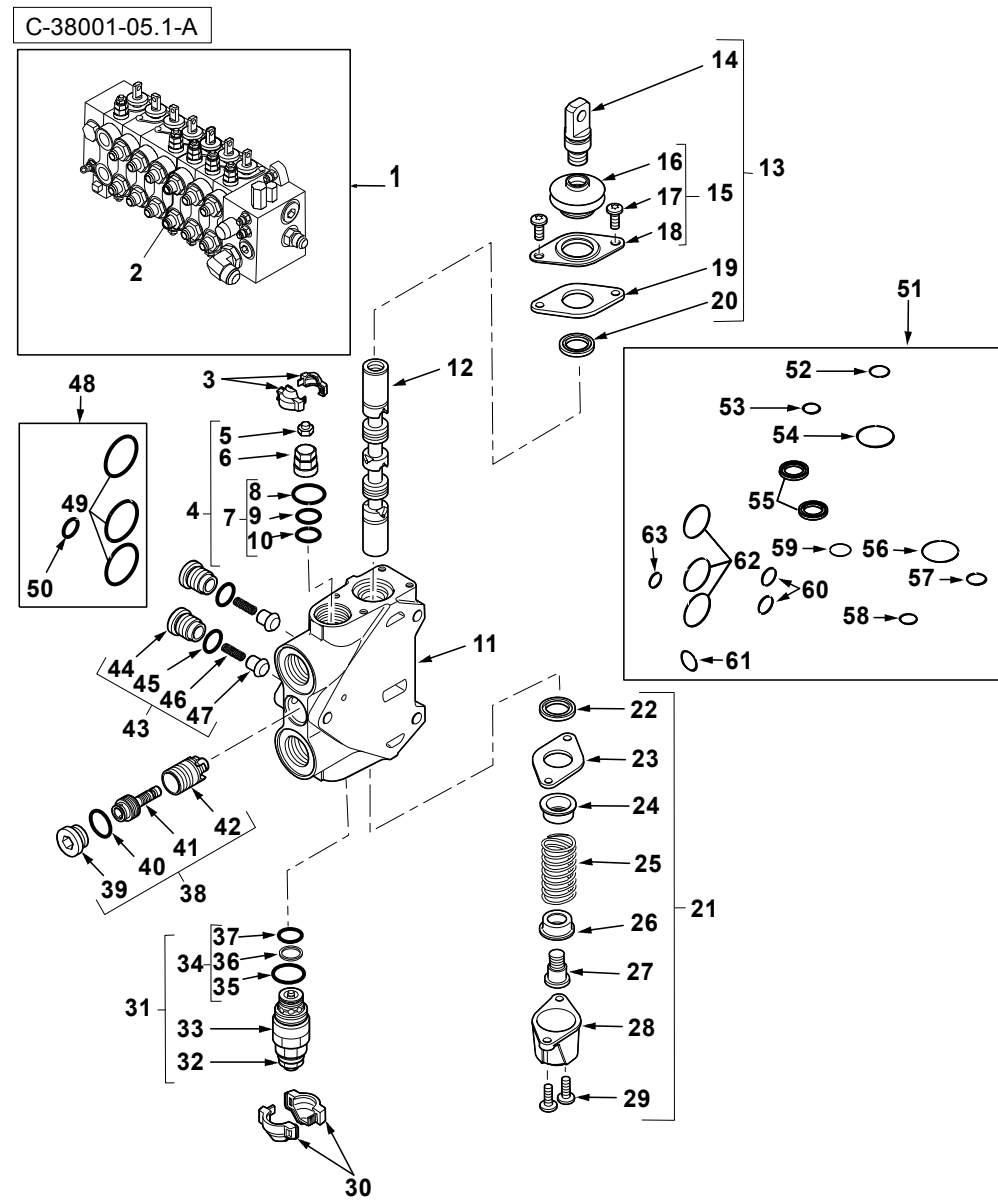
Item	Part No.	Qty.	English	French	German	Spanish	Remarks
1	6109206M91	1	Valve-7sp Mech. Ss 08/401/331	Ensemble Distribution	Steuerventilblock Kpl.	Distribuidor, Conj.	Continued
2	#VALVE ASSY	1	Valve Assy	Valve Assy	Valve Assy	Valve Assy	
3	#COVER	0	Cover	Cover	Cover	Cover	Ref. 2
4	6193805M91	1	Pressure Relief Valve H 280 Bar	Valve Decharge	Druckbegrventil	Válvula De Seguridad	
5	#NUT	1	Nut	Ecrou	Mutter	Tuerca	Ref. 4
6	#VALVE	1	Valve	Soupape	Ventil	Válvula	Ref. 4
7	6193779M91	1	Seal Kit - Relief Valve	Jeu Étanchéité	Dichtringsatz	Juego De Juntas	
8	#O-RING	1	O-Ring	Joint Torique	O-Ring	Junta Tórica	Ref. 7
9	#O-RING	1	O-Ring	Joint Torique	O-Ring	Junta Tórica	Ref. 7
10	#O-RING	1	O-Ring	Joint Torique	O-Ring	Junta Tórica	Ref. 7
11	#BODY	1	Body	Body	Body	Body	Ref. 2
12	#SPOOL	1	Spool	Spool	Spool	Spool	Ref. 2
13	6193780M91	1	Kit - Mechanical Optd Z1	Lot De Pièces	Ersatzteilpaket	Juego De Piezas	
14	#SCREW	1	Screw	Vis	Schraube	Tornillo	Ref. 13
15	6193783M91	1	Bellows Kit	Lot De Pieces	Dichtung	Juego De Piezas	
16	#SEAL	1	Seal	Joint Étanchéité	Dichtring	Retén	Ref. 15
17	#SCREW	1	Screw	Vis	Schraube	Tornillo	Ref. 15
18	#COVER	2	Cover	Cover	Cover	Cover	Ref. 15
19	#PLATE	1	Plate	Plaque	Platte	Plato	Ref. 13
20	6194492M1	1	Lip Seal - Rexorth Ref: 8100160	Joint Étanchéité	Dichtring	Junta	
21	6193784M91	1	Mechanical Optd Kit	Lot De Pièces	Ersatzteilpaket	Juego De Piezas	
22	6194492M1	1	Lip Seal - Rexorth Ref: 8100160	Joint Étanchéité	Dichtring	Junta	
23	#PLATE	1	Plate	Plaque	Platte	Plato	Ref. 21
24	#HOLDER	1	Holder	Holder	Holder	Holder	Ref. 21
25	#SPRING	1	Spring	Ressort	Feder	Muelle	Ref. 21
26	#HOLDER	1	Holder	Holder	Holder	Holder	Ref. 21
27	#SCREW	1	Screw	Vis	Schraube	Tornillo	Ref. 21
28	#CAP	1	Cap	Chapeau	Kappe	Tapa	Ref. 21
29	#SCREW	2	Screw	Vis	Schraube	Tornillo	Ref. 21
30	#COVER	0	Cover	Cover	Cover	Cover	Ref. 21





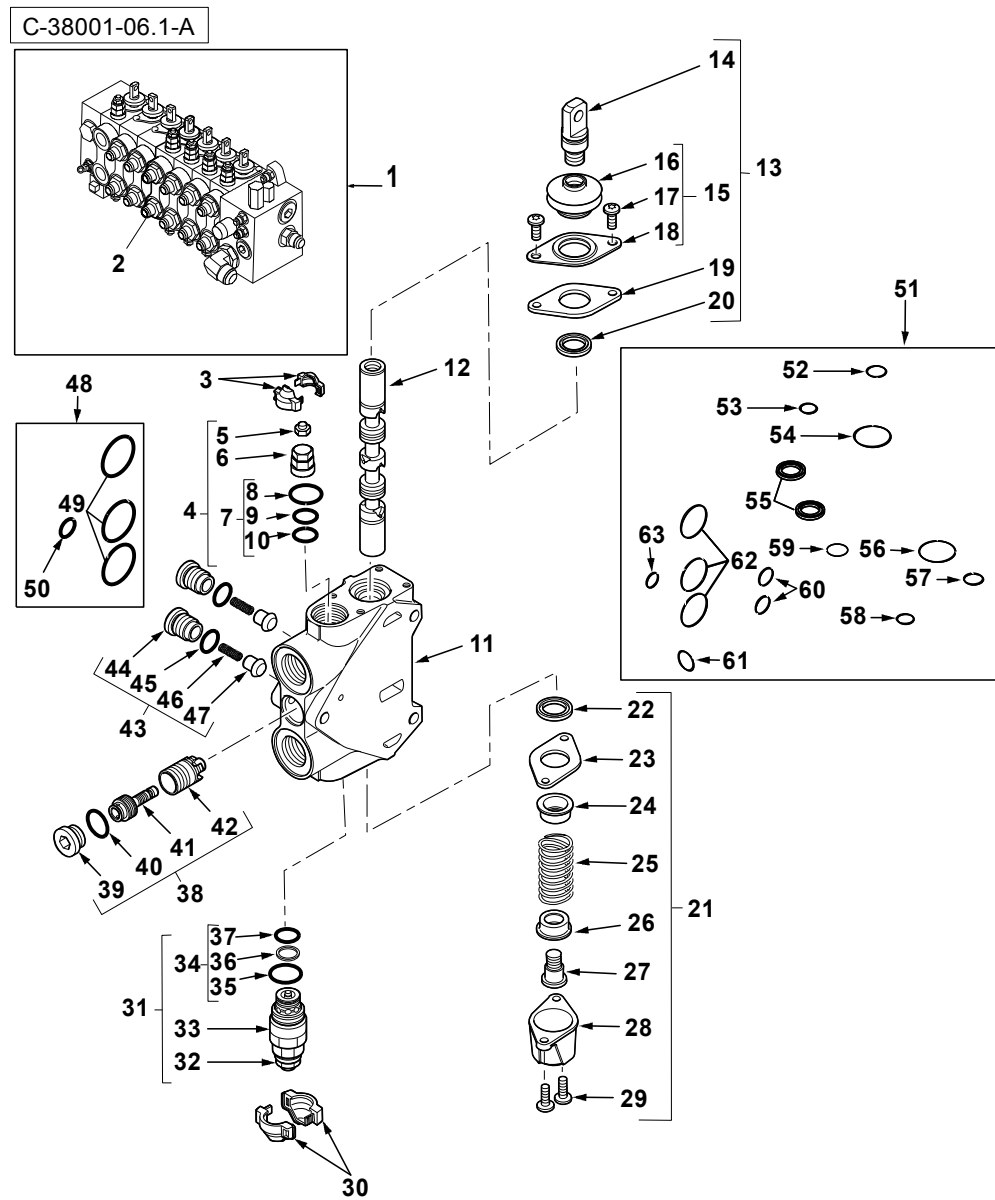
Item	Part No.	Qty.	English	French	German	Spanish	Remarks
31	6193802M91	1	Pressure Relief Valve H 265 Bar	Valve Decharge	Druckbegrentil	Válvula De Seguridad	
32	#NUT	1	Nut	Ecrou	Mutter	Tuerca	Ref. 31
33	#VALVE	1	Valve	Soupape	Ventil	Válvula	Ref. 31
34	6193779M91	1	Seal Kit - Relief Valve	Jeu Étanchéité	Dichtringsatz	Juego De Juntas	
35	#O-RING	1	O-Ring	Joint Torique	O-Ring	Junta Tórica	Ref. 34
36	#O-RING	1	O-Ring	Joint Torique	O-Ring	Junta Tórica	Ref. 34
37	#O-RING	1	O-Ring	Joint Torique	O-Ring	Junta Tórica	Ref. 34
38	6193792M91	1	Compensator Kit	Ensemble De Soupape	Ventil Kpl.	Válvula, Conj.	
39	#PLUG	1	Plug	Plug	Plug	Plug	Ref. 38
40	#O-RING	1	O-Ring	Joint Torique	O-Ring	Junta Tórica	Ref. 38
41	#VALVE	1	Valve	Soupape	Ventil	Válvula	Ref. 38
42	#BODY	1	Body	Body	Body	Body	Ref. 38
43	6193775M91	2	Check Valve Kit	Clapet Anti-Retour	Rückschlagventil	Válvula De Parada	
44	#PLUG	1	Plug	Plug	Plug	Plug	Ref. 43
45	#O-RING	1	O-Ring	Joint Torique	O-Ring	Junta Tórica	Ref. 43
46	#SPRING	1	Spring	Ressort	Feder	Muelle	Ref. 43
47	#VALVE	1	Valve	Soupape	Ventil	Válvula	Ref. 43
48	6193771M91	1	Seal Interface Kit	Pochette De Joints	Dichtsatz	Juego De Juntas	
49	#O-RING	3	O-Ring	Joint Torique	O-Ring	Junta Tórica	Ref. 48
50	#O-RING	1	O-Ring	Joint Torique	O-Ring	Junta Tórica	Ref. 48
51	6193781M91	0	Seal Kit Complete	Jeu Etancheite	Dichtringsatz	Juege De Juntas	
52	#O-RING	1	O-Ring	Joint Torique	O-Ring	Junta Tórica	18.77 X 1.78 Ref. 51
53	#O-RING	1	O-Ring	Joint Torique	O-Ring	Junta Tórica	15.6 X 1.78 Ref. 51
54	#O-RING	1	O-Ring	Joint Torique	O-Ring	Junta Tórica	36.3 X 1.78 Ref. 51
55	6194492M1	2	Lip Seal - Rexorth Ref: 8100160	Joint Étanchéité	Dichtring	Junta	
56	#O-RING	1	O-Ring	Joint Torique	O-Ring	Junta Tórica	36.3 X 1.78 Ref. 51
57	#O-RING	1	O-Ring	Joint Torique	O-Ring	Junta Tórica	18.77 X 1.78 Ref. 51
58	#O-RING	1	O-Ring	Joint Torique	O-Ring	Junta Tórica	15.6 X 1.78 Ref. 51
59	#O-RING	1	O-Ring	Joint Torique	O-Ring	Junta Tórica	18 X 2.5 Ref. 51
60	#O-RING	2	O-Ring	Joint Torique	O-Ring	Junta Tórica	15 X 2 Ref. 51





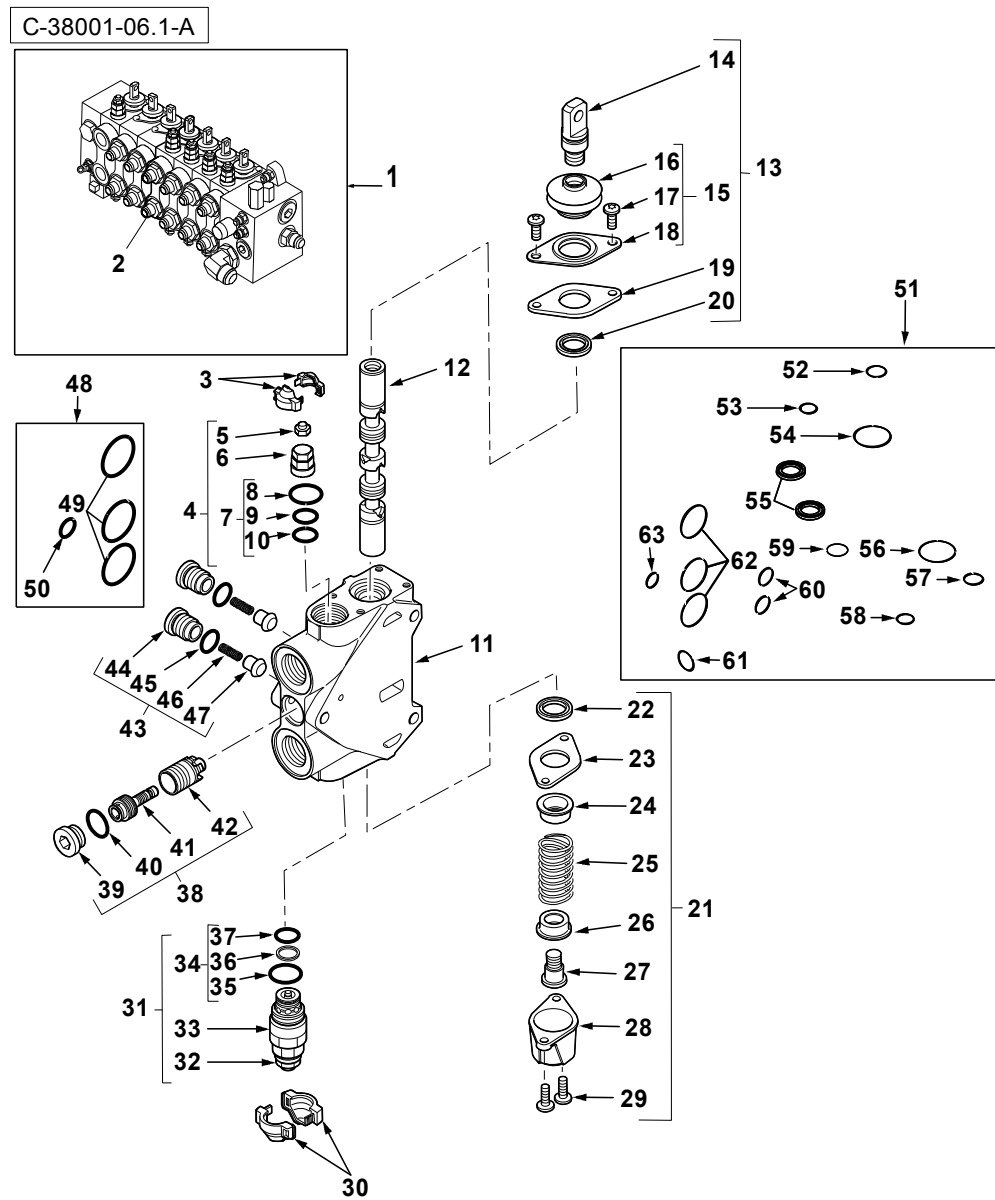
Item	Part No.	Qty.	English	French	German	Spanish	Remarks
61	#O-RING	1	O-Ring	Joint Torique	O-Ring	Junta Tórica	19.4 X 2.1 Ref. 51
62	#O-RING	3	O-Ring	Joint Torique	O-Ring	Junta Tórica	29.82 X 2.62 Ref. 51
63	#O-RING	1	O-Ring	Joint Torique	O-Ring	Junta Tórica	10.77 X 2.62 Ref. 51





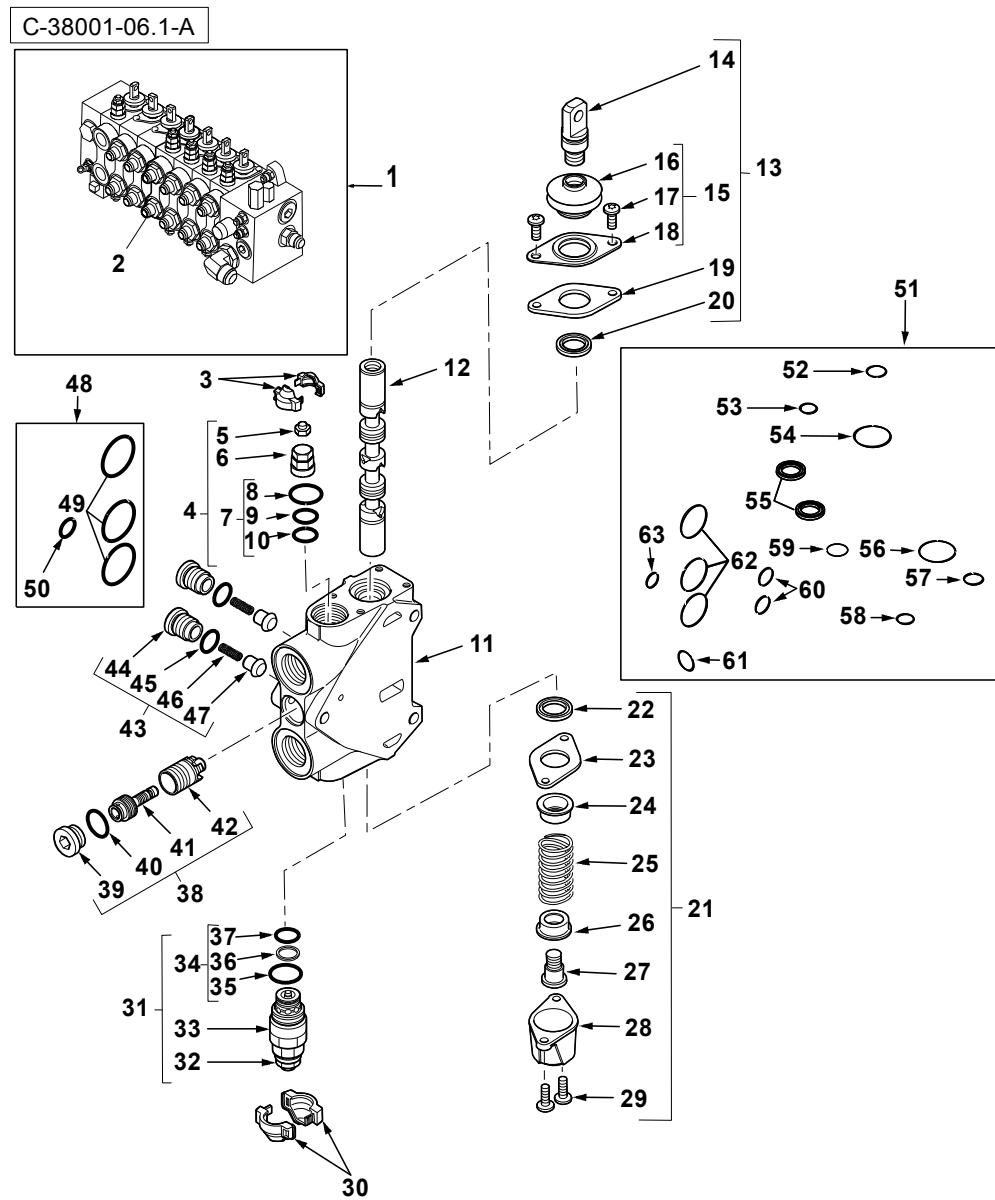
Item	Part No.	Qty.	English	French	German	Spanish	Remarks
1	6109206M91	1	Valve-7sp Mech. Ss 08/401/331	Ensemble Distribution	Steuerventilblock Kpl.	Distribuidor, Conj.	Continued
2	#VALVE ASSY	1	Valve Assy	Valve Assy	Valve Assy	Valve Assy	
3	#COVER	0	Cover	Cover	Cover	Cover	Ref. 2
4	6193805M91	1	Pressure Relief Valve H 280 Bar	Valve Decharge	Druckbegrventil	Válvula De Seguridad	
5	#NUT	1	Nut	Ecrou	Mutter	Tuerca	Ref. 4
6	#VALVE	1	Valve	Soupape	Ventil	Válvula	Ref. 4
7	6193779M91	1	Seal Kit - Relief Valve	Jeu Étanchéité	Dichtringsatz	Juego De Juntas	
8	#O-RING	1	O-Ring	Joint Torique	O-Ring	Junta Tórica	Ref. 7
9	#O-RING	1	O-Ring	Joint Torique	O-Ring	Junta Tórica	Ref. 7
10	#O-RING	1	O-Ring	Joint Torique	O-Ring	Junta Tórica	Ref. 7
11	#BODY	1	Body	Body	Body	Body	Ref. 2
12	#SPOOL	1	Spool	Spool	Spool	Spool	Ref. 2
13	6193780M91	1	Kit - Mechanical Optd Z1	Lot De Pièces	Ersatzteilpaket	Juego De Piezas	
14	#SCREW	1	Screw	Vis	Schraube	Tornillo	Ref. 13
15	6193783M91	1	Bellows Kit	Lot De Pieces	Dichtung	Juego De Piezas	
16	#SEAL	1	Seal	Joint Étanchéité	Dichtring	Retén	Ref. 15
17	#SCREW	1	Screw	Vis	Schraube	Tornillo	Ref. 15
18	#COVER	2	Cover	Cover	Cover	Cover	Ref. 15
19	#PLATE	1	Plate	Plaque	Platte	Plato	Ref. 13
20	6194492M1	1	Lip Seal - Rexorth Ref: 8100160	Joint Étanchéité	Dichtring	Junta	
21	6193784M91	1	Mechanical Optd Kit	Lot De Pièces	Ersatzteilpaket	Juego De Piezas	
22	6194492M1	1	Lip Seal - Rexorth Ref: 8100160	Joint Étanchéité	Dichtring	Junta	
23	#PLATE	1	Plate	Plaque	Platte	Plato	Ref. 21
24	#HOLDER	1	Holder	Holder	Holder	Holder	Ref. 21
25	#SPRING	1	Spring	Ressort	Feder	Muelle	Ref. 21
26	#HOLDER	1	Holder	Holder	Holder	Holder	Ref. 21
27	#SCREW	1	Screw	Vis	Schraube	Tornillo	Ref. 21
28	#CAP	1	Cap	Chapeau	Kappe	Tapa	Ref. 21
29	#SCREW	2	Screw	Vis	Schraube	Tornillo	Ref. 21
30	#COVER	0	Cover	Cover	Cover	Cover	Ref. 21





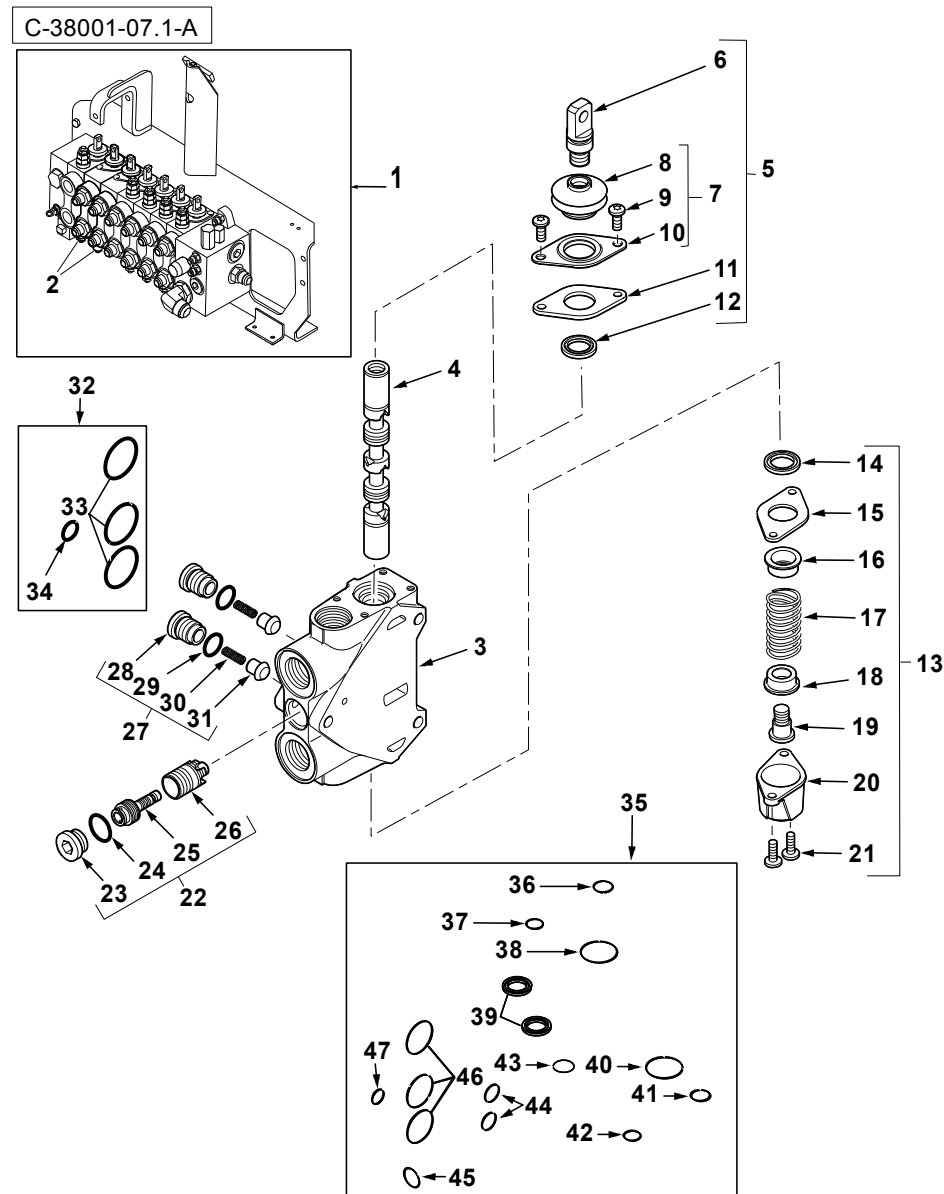
Item	Part No.	Qty.	English	French	German	Spanish	Remarks
31	6193805M91	1	Pressure Relief Valve H 280 Bar	Valve Decharge	Druckbegrentil	Válvula De Seguridad	
32	#NUT	1	Nut	Ecrou	Mutter	Tuerca	Ref. 31
33	#VALVE	1	Valve	Soupape	Ventil	Válvula	Ref. 31
34	6193779M91	1	Seal Kit - Relief Valve	Jeu Étanchéité	Dichtringsatz	Juego De Juntas	
35	#O-RING	1	O-Ring	Joint Torique	O-Ring	Junta Tórica	Ref. 34
36	#O-RING	1	O-Ring	Joint Torique	O-Ring	Junta Tórica	Ref. 34
37	#O-RING	1	O-Ring	Joint Torique	O-Ring	Junta Tórica	Ref. 34
38	6193774M91	1	Kit - Compensator	Ensemble De Soupape	Ventil Kpl.	Válvula, Conj.	
39	#PLUG	1	Plug	Plug	Plug	Plug	Ref. 38
40	#O-RING	1	O-Ring	Joint Torique	O-Ring	Junta Tórica	Ref. 38
41	#VALVE	1	Valve	Soupape	Ventil	Válvula	Ref. 38
42	#BODY	1	Body	Body	Body	Body	Ref. 38
43	6193775M91	2	Check Valve Kit	Clapet Anti-Retour	Rückschlagventil	Válvula De Parada	
44	#PLUG	1	Plug	Plug	Plug	Plug	Ref. 43
45	#O-RING	1	O-Ring	Joint Torique	O-Ring	Junta Tórica	Ref. 43
46	#SPRING	1	Spring	Ressort	Feder	Muelle	Ref. 43
47	#VALVE	1	Valve	Soupape	Ventil	Válvula	Ref. 43
48	6193771M91	1	Seal Interface Kit	Pochette De Joints	Dichtsatz	Juego De Juntas	
49	#O-RING	3	O-Ring	Joint Torique	O-Ring	Junta Tórica	Ref. 48
50	#O-RING	1	O-Ring	Joint Torique	O-Ring	Junta Tórica	Ref. 48
51	6193781M91	0	Seal Kit Complete	Jeu Etancheite	Dichtringsatz	Juege De Juntas	
52	#O-RING	1	O-Ring	Joint Torique	O-Ring	Junta Tórica	18.77 X 1.78 Ref. 51
53	#O-RING	1	O-Ring	Joint Torique	O-Ring	Junta Tórica	15.6 X 1.78 Ref. 51
54	#O-RING	1	O-Ring	Joint Torique	O-Ring	Junta Tórica	36.3 X 1.78 Ref. 51
55	6194492M1	2	Lip Seal - Rexorth Ref: 8100160	Joint Étanchéité	Dichtring	Junta	
56	#O-RING	1	O-Ring	Joint Torique	O-Ring	Junta Tórica	36.3 X 1.78 Ref. 51
57	#O-RING	1	O-Ring	Joint Torique	O-Ring	Junta Tórica	18.77 X 1.78 Ref. 51
58	#O-RING	1	O-Ring	Joint Torique	O-Ring	Junta Tórica	15.6 X 1.78 Ref. 51
59	#O-RING	1	O-Ring	Joint Torique	O-Ring	Junta Tórica	18 X 2.5 Ref. 51
60	#O-RING	2	O-Ring	Joint Torique	O-Ring	Junta Tórica	15 X 2 Ref. 51





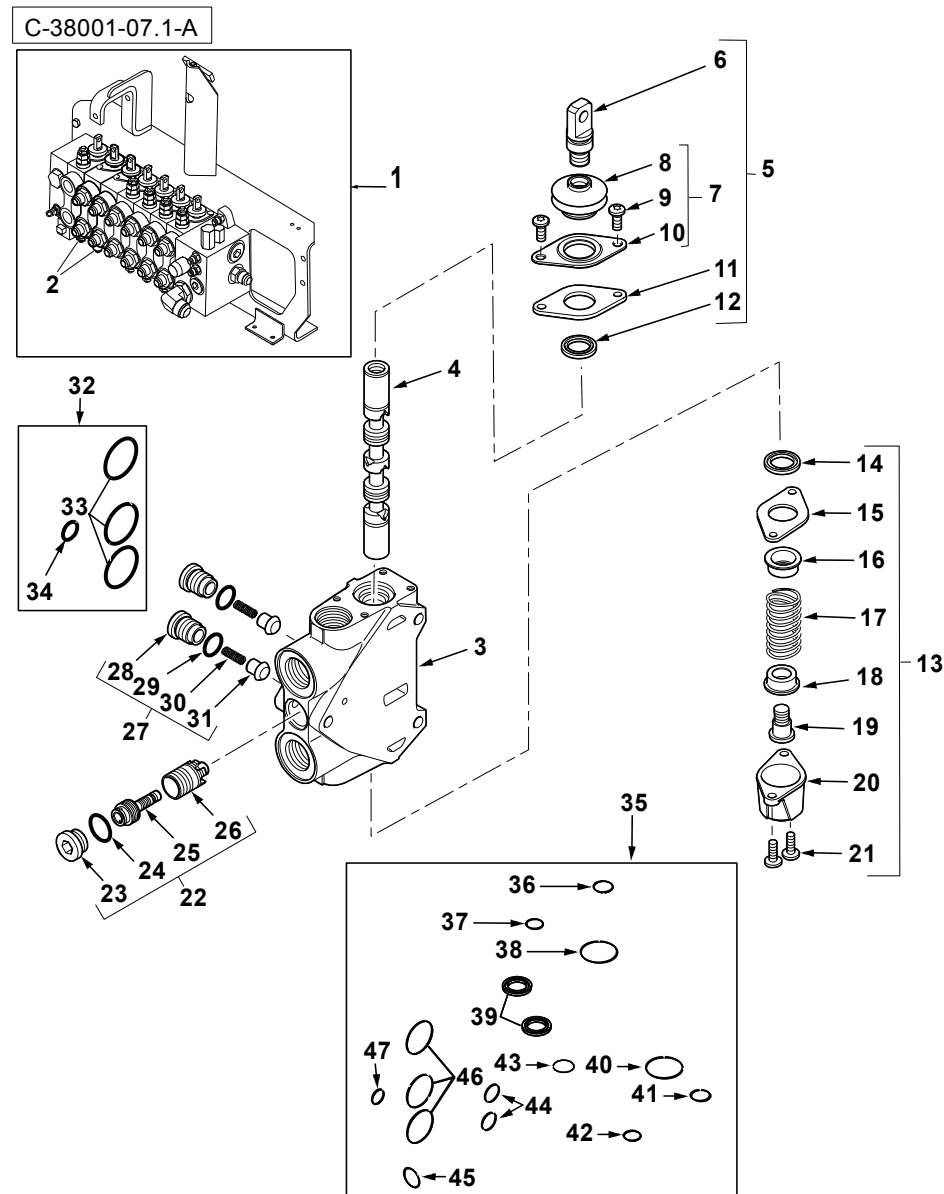
Item	Part No.	Qty.	English	French	German	Spanish	Remarks
61	#O-RING	1	O-Ring	Joint Torique	O-Ring	Junta Tórica	19.4 X 2.1 Ref. 51
62	#O-RING	3	O-Ring	Joint Torique	O-Ring	Junta Tórica	29.82 X 2.62 Ref. 51
63	#O-RING	1	O-Ring	Joint Torique	O-Ring	Junta Tórica	10.77 X 2.62 Ref. 51





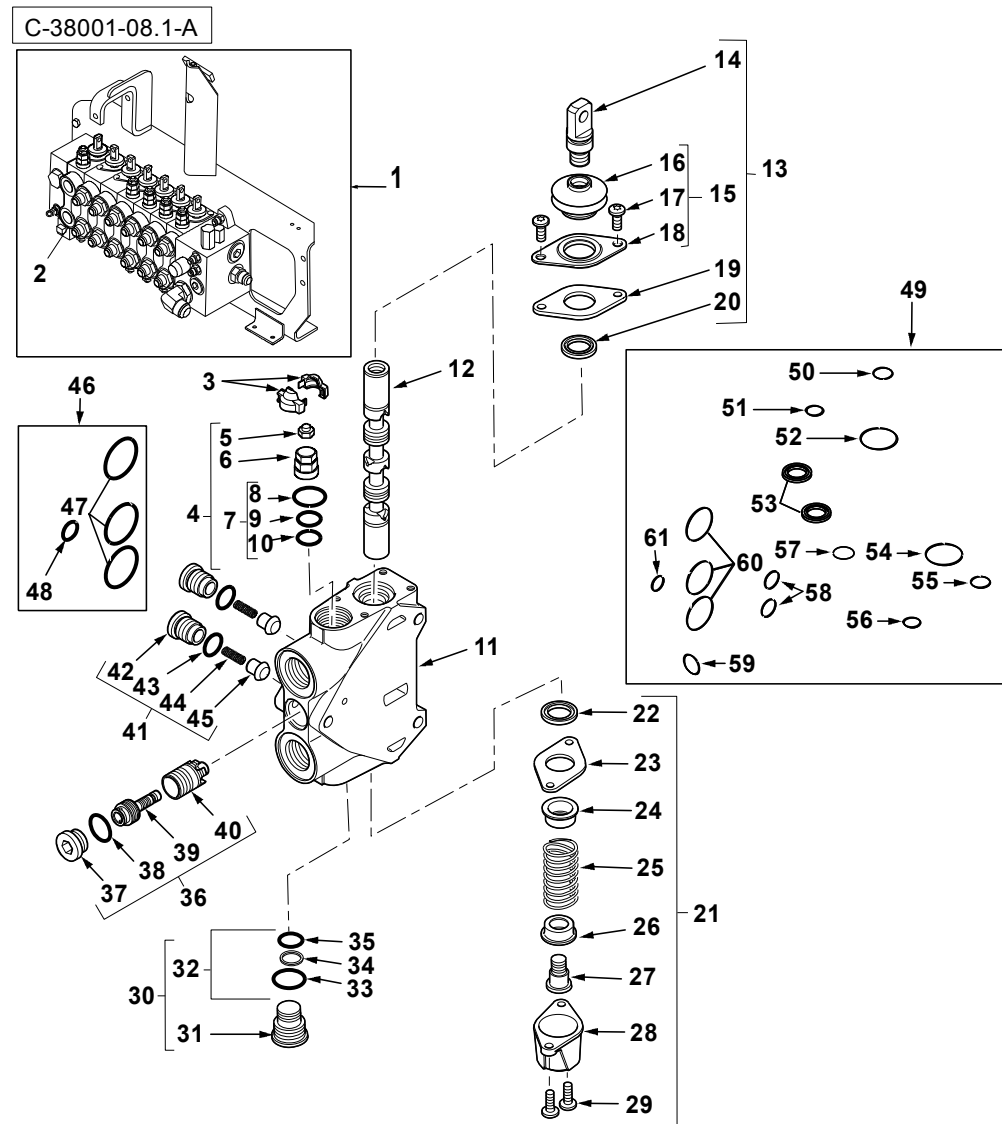
Item	Part No.	Qty.	English	French	German	Spanish	Remarks
1	6109206M91	1	Valve-7sp Mech. Ss 08/401/331	Ensemble Distribution	Steuerventilblock Kpl.	Distribuidor, Conj.	Continued
2	#VALVE ASSY	2	Valve Assy	Valve Assy	Valve Assy	Valve Assy	
3	#BODY	1	Body	Body	Body	Body	Ref. 2
4	#SPOOL	1	Spool	Spool	Spool	Spool	Ref. 2
5	6193780M91	1	Kit - Mechanical Optd Z1	Lot De Pièces	Ersatzteilpaket	Juego De Piezas	
6	#SCREW	1	Screw	Vis	Schraube	Tornillo	Ref. 5
7	6193783M91	1	Bellows Kit	Lot De Pieces	Dichtung	Juego De Piezas	
8	#SEAL	1	Seal	Joint Étanchéité	Dichtring	Retén	Ref. 7
9	#SCREW	1	Screw	Vis	Schraube	Tornillo	Ref. 7
10	#COVER	2	Cover	Cover	Cover	Cover	Ref. 7
11	#PLATE	1	Plate	Plaque	Platte	Plato	Ref. 5
12	6194492M1	1	Lip Seal - Rexorth Ref: 8100160	Joint Étanchéité	Dichtring	Junta	
13	6193784M91	1	Mechanical Optd Kit	Lot De Pièces	Ersatzteilpaket	Juego De Piezas	
14	6194492M1	1	Lip Seal - Rexorth Ref: 8100160	Joint Étanchéité	Dichtring	Junta	
15	#PLATE	1	Plate	Plaque	Platte	Plato	Ref. 13
16	#HOLDER	1	Holder	Holder	Holder	Holder	Ref. 13
17	#SPRING	1	Spring	Ressort	Feder	Muelle	Ref. 13
18	#HOLDER	1	Holder	Holder	Holder	Holder	Ref. 13
19	#SCREW	1	Screw	Vis	Schraube	Tornillo	Ref. 13
20	#CAP	1	Cap	Chapeau	Kappe	Tapa	Ref. 13
21	#SCREW	2	Screw	Vis	Schraube	Tornillo	Ref. 13
22	6193774M91	1	Kit - Compensator	Ensemble De Soupape	Ventil Kpl.	Válvula, Conj.	
23	#PLUG	1	Plug	Plug	Plug	Plug	Ref. 22
24	#O-RING	1	O-Ring	Joint Torique	O-Ring	Junta Tórica	Ref. 22
25	#VALVE	1	Valve	Soupape	Ventil	Válvula	Ref. 22
26	#BODY	1	Body	Body	Body	Body	Ref. 22
27	6193775M91	2	Check Valve Kit	Clapet Anti-Retour	Rückschlagventil	Válvula De Parada	
28	#PLUG	1	Plug	Plug	Plug	Plug	Ref. 27
29	#O-RING	1	O-Ring	Joint Torique	O-Ring	Junta Tórica	Ref. 27
30	#SPRING	1	Spring	Ressort	Feder	Muelle	Ref. 27





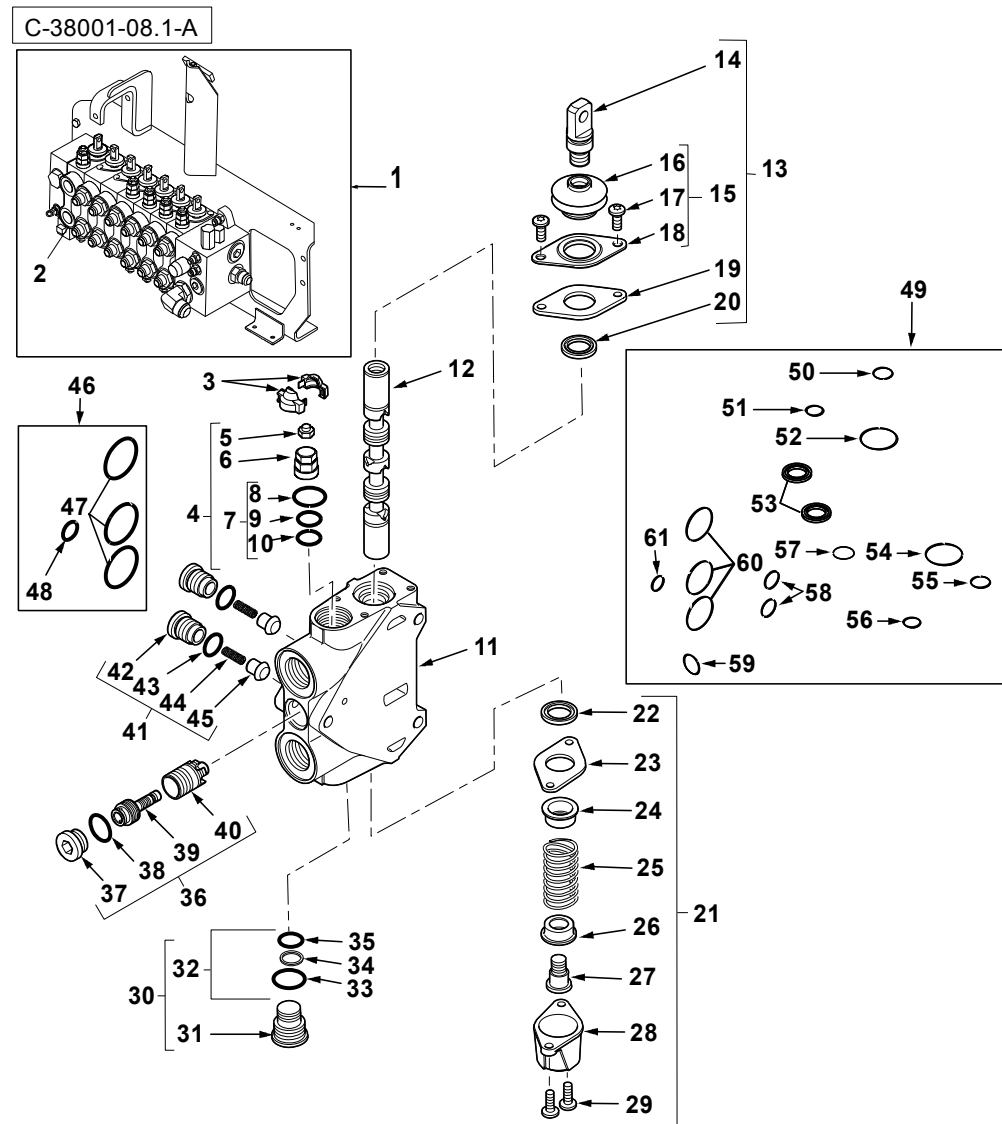
Item	Part No.	Qty.	English	French	German	Spanish	Remarks
31	#VALVE	1	Valve	Soupape	Ventil	Válvula	Ref. 27
32	6193771M91	1	Seal Interface Kit	Pochette De Joints	Dichtsatz	Juego De Juntas	
33	#O-RING	3	O-Ring	Joint Torique	O-Ring	Junta Tórica	Ref. 32
34	#O-RING	1	O-Ring	Joint Torique	O-Ring	Junta Tórica	Ref. 32
35	6193781M91	0	Seal Kit Complete	Jeu Etancheite	Dichtringsatz	Juege De Juntas	
36	#O-RING	1	O-Ring	Joint Torique	O-Ring	Junta Tórica	18.77 X 1.78 Ref. 35
37	#O-RING	1	O-Ring	Joint Torique	O-Ring	Junta Tórica	15.6 X 1.78 Ref. 35
38	#O-RING	1	O-Ring	Joint Torique	O-Ring	Junta Tórica	36.3 X 1.78 Ref. 35
39	6194492M1	2	Lip Seal - Rexorth Ref: 8100160	Joint Étanchéité	Dichtring	Junta	
40	#O-RING	1	O-Ring	Joint Torique	O-Ring	Junta Tórica	36.3 X 1.78 Ref. 35
41	#O-RING	1	O-Ring	Joint Torique	O-Ring	Junta Tórica	18.77 X 1.78 Ref. 35
42	#O-RING	1	O-Ring	Joint Torique	O-Ring	Junta Tórica	15.6 X 1.78 Ref. 35
43	#O-RING	1	O-Ring	Joint Torique	O-Ring	Junta Tórica	18 X 2.5 Ref. 35
44	#O-RING	2	O-Ring	Joint Torique	O-Ring	Junta Tórica	15 X 2 Ref. 35
45	#O-RING	1	O-Ring	Joint Torique	O-Ring	Junta Tórica	19.4 X 2.1 Ref. 35
46	#O-RING	3	O-Ring	Joint Torique	O-Ring	Junta Tórica	29.82 X 2.62 Ref. 35
47	#O-RING	1	O-Ring	Joint Torique	O-Ring	Junta Tórica	10.77 X 2.62 Ref. 35





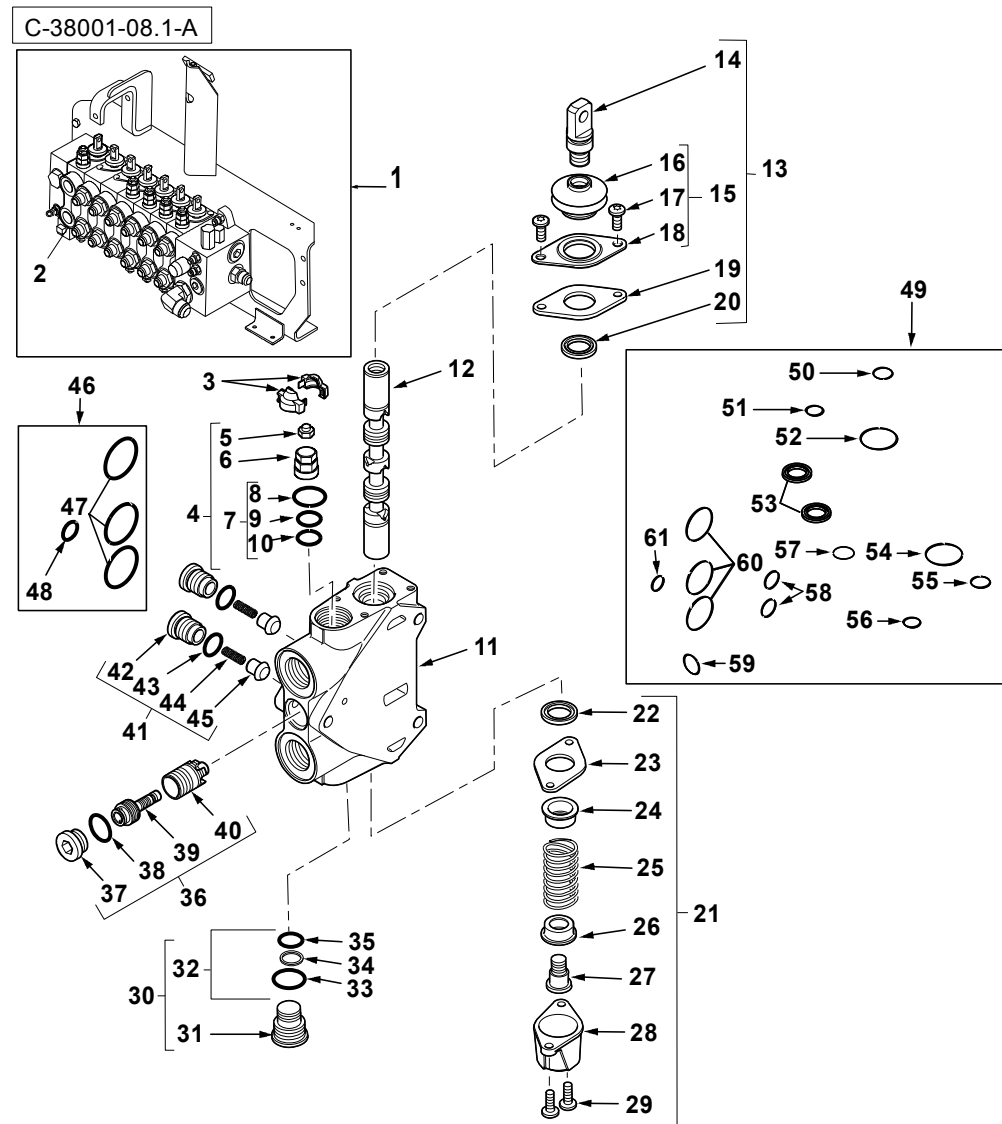
Item	Part No.	Qty.	English	French	German	Spanish	Remarks
1	6109206M91	1	Valve-7sp Mech. Ss 08/401/331	Ensemble Distribution	Steuerventilblock Kpl.	Distribuidor, Conj.	Continued
2	#VALVE ASSY	1	Valve Assy	Valve Assy	Valve Assy	Valve Assy	
3	#COVER	0	Cover	Cover	Cover	Cover	Ref. 2
4	6193799M91	1	Pressure Relief Valve H (155 Bar)	Valve Decharge	Druckbegrventil	Válvula De Seguridad	
5	#NUT	1	Nut	Ecrou	Mutter	Tuerca	Ref. 4
6	#VALVE	1	Valve	Soupape	Ventil	Válvula	Ref. 4
7	6193779M91	1	Seal Kit - Relief Valve	Jeu Étanchéité	Dichtringsatz	Juego De Juntas	
8	#O-RING	1	O-Ring	Joint Torique	O-Ring	Junta Tórica	Ref. 7
9	#O-RING	1	O-Ring	Joint Torique	O-Ring	Junta Tórica	Ref. 7
10	#O-RING	1	O-Ring	Joint Torique	O-Ring	Junta Tórica	Ref. 7
11	#BODY	1	Body	Body	Body	Body	Ref. 2
12	#SPOOL	1	Spool	Spool	Spool	Spool	Ref. 2
13	6193780M91	1	Kit - Mechanical Optd Z1	Lot De Pièces	Ersatzteilpaket	Juego De Piezas	
14	#SCREW	1	Screw	Vis	Schraube	Tornillo	Ref. 13
15	6193783M91	1	Bellows Kit	Lot De Pieces	Dichtung	Juego De Piezas	
16	#SEAL	1	Seal	Joint Étanchéité	Dichtring	Retén	Ref. 15
17	#SCREW	1	Screw	Vis	Schraube	Tornillo	Ref. 15
18	#COVER	2	Cover	Cover	Cover	Cover	Ref. 15
19	#PLATE	1	Plate	Plaque	Platte	Plato	Ref. 13
20	6194492M1	1	Lip Seal - Rexorth Ref: 8100160	Joint Étanchéité	Dichtring	Junta	
21	6193784M91	1	Mechanical Optd Kit	Lot De Pièces	Ersatzteilpaket	Juego De Piezas	
22	6194492M1	1	Lip Seal - Rexorth Ref: 8100160	Joint Étanchéité	Dichtring	Junta	
23	#PLATE	1	Plate	Plaque	Platte	Plato	Ref. 21
24	#HOLDER	1	Holder	Holder	Holder	Holder	Ref. 21
25	#SPRING	1	Spring	Ressort	Feder	Muelle	Ref. 21
26	#HOLDER	1	Holder	Holder	Holder	Holder	Ref. 21
27	#SCREW	1	Screw	Vis	Schraube	Tornillo	Ref. 21
28	#CAP	1	Cap	Chapeau	Kappe	Tapa	Ref. 21
29	#SCREW	2	Screw	Vis	Schraube	Tornillo	Ref. 21
30	6193785M91	1	Plug Q - Port B	Bouchon	Stopfen	Tapón, Conj.	





Item	Part No.	Qty.	English	French	German	Spanish	Remarks
31	#PLUG	1	Plug	Plug	Plug	Plug	Ref. 30
32	6193779M91	1	Seal Kit - Relief Valve	Jeu Étanchéité	Dichtringsatz	Juego De Juntas	
33	#O-RING	1	O-Ring	Joint Torique	O-Ring	Junta Tórica	Ref. 32
34	#O-RING	1	O-Ring	Joint Torique	O-Ring	Junta Tórica	Ref. 32
35	#O-RING	1	O-Ring	Joint Torique	O-Ring	Junta Tórica	Ref. 32
36	6193792M91	1	Compensator Kit	Ensemble De Soupape	Ventil Kpl.	Válvula, Conj.	
37	#PLUG	1	Plug	Plug	Plug	Plug	Ref. 36
38	#O-RING	1	O-Ring	Joint Torique	O-Ring	Junta Tórica	Ref. 36
39	#VALVE	1	Valve	Soupape	Ventil	Válvula	Ref. 36
40	#BODY	1	Body	Body	Body	Body	Ref. 36
41	6193775M91	2	Check Valve Kit	Clapet Anti-Retour	Rückschlagventil	Válvula De Parada	
42	#PLUG	1	Plug	Plug	Plug	Plug	Ref. 41
43	#O-RING	1	O-Ring	Joint Torique	O-Ring	Junta Tórica	Ref. 41
44	#SPRING	1	Spring	Ressort	Feder	Muelle	Ref. 41
45	#VALVE	1	Valve	Soupape	Ventil	Válvula	Ref. 41
46	6193771M91	1	Seal Interface Kit	Pochette De Joints	Dichtsatz	Juego De Juntas	
47	#O-RING	3	O-Ring	Joint Torique	O-Ring	Junta Tórica	Ref. 46
48	#O-RING	1	O-Ring	Joint Torique	O-Ring	Junta Tórica	Ref. 46
49	6193781M91	0	Seal Kit Complete	Jeu Etancheite	Dichtringsatz	Juege De Juntas	
50	#O-RING	1	O-Ring	Joint Torique	O-Ring	Junta Tórica	18.77 X 1.78 Ref. 49
51	#O-RING	1	O-Ring	Joint Torique	O-Ring	Junta Tórica	15.6 X 1.78 Ref. 49
52	#O-RING	1	O-Ring	Joint Torique	O-Ring	Junta Tórica	36.3 X 1.78 Ref. 49
53	6194492M1	2	Lip Seal - Rexorth Ref: 8100160	Joint Étanchéité	Dichtring	Junta	
54	#O-RING	1	O-Ring	Joint Torique	O-Ring	Junta Tórica	36.3 X 1.78 Ref. 49
55	#O-RING	1	O-Ring	Joint Torique	O-Ring	Junta Tórica	18.77 X 1.78 Ref. 49
56	#O-RING	1	O-Ring	Joint Torique	O-Ring	Junta Tórica	15.6 X 1.78 Ref. 49
57	#O-RING	1	O-Ring	Joint Torique	O-Ring	Junta Tórica	18 X 2.5 Ref. 49
58	#O-RING	2	O-Ring	Joint Torique	O-Ring	Junta Tórica	15 X 2 Ref. 49
59	#O-RING	1	O-Ring	Joint Torique	O-Ring	Junta Tórica	19.4 X 2.1 Ref. 49
60	#O-RING	3	O-Ring	Joint Torique	O-Ring	Junta Tórica	29.82 X 2.62 Ref. 49

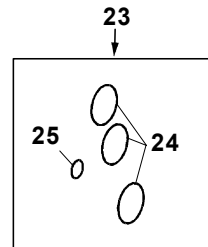
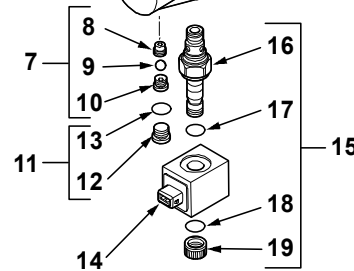
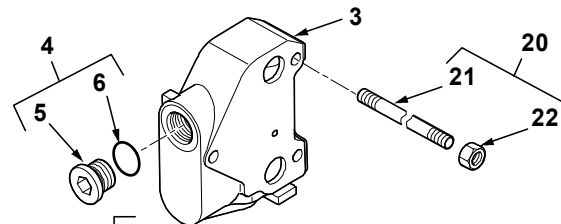
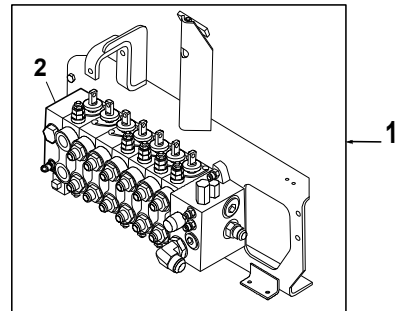




Item	Part No.	Qty.	English	French	German	Spanish	Remarks
61	#O-RING	1	O-Ring	Joint Torique	O-Ring	Junta Tórica	10.77 X 2.62 Ref. 49



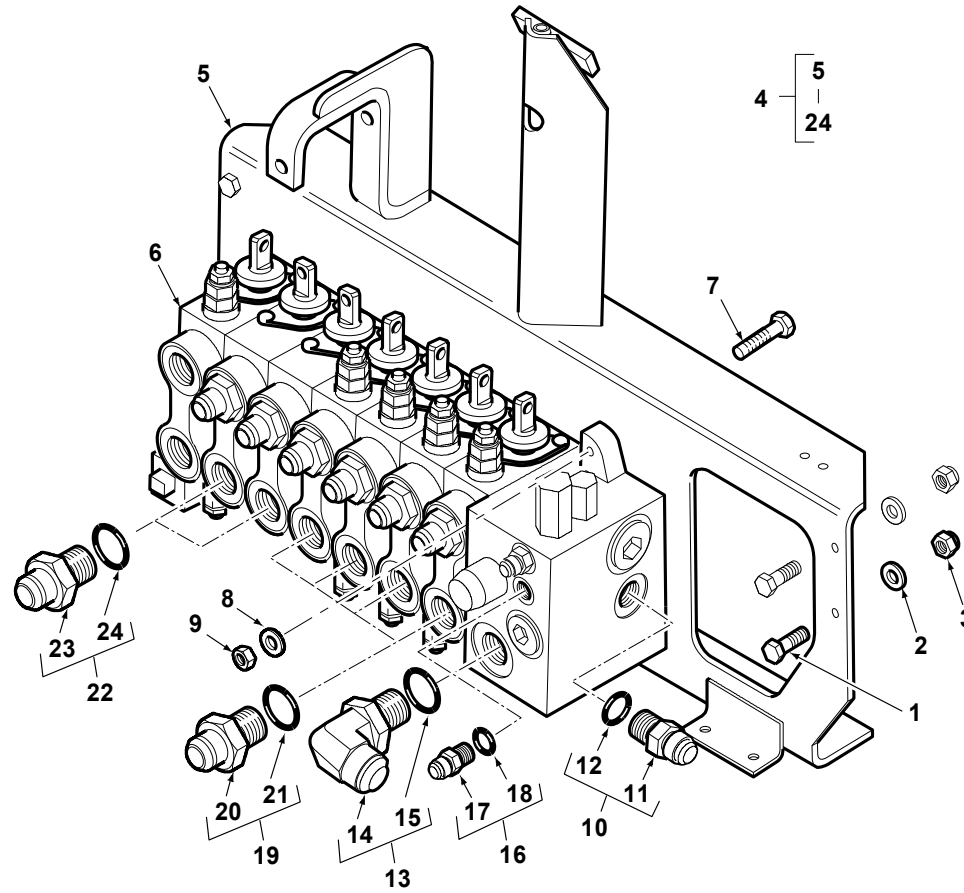
C-38001-09.1-A



Item	Part No.	Qty.	English	French	German	Spanish	Remarks
1	6109206M91	1	Valve-7sp Mech. Ss 08/401/331	Ensemble Distribution	Steuerventilblock Kpl.	Distribuidor, Conj.	Continued
2	#VALVE ASSY	1	Valve Assy	Valve Assy	Valve Assy	Valve Assy	
3	#BODY	1	Body	Body	Body	Body	Ref. 2
4	6193773M91	1	Plug For P 1.1/16 Unf	Bouchon	Stopfen	Tapón, Conj.	
5	#PLUG	1	Plug	Plug	Plug	Plug	Ref. 4
6	#O-RING	1	O-Ring	Joint Torique	O-Ring	Junta Tórica	Ref. 4
7	6193793M91	1	Shuttle Throttle Kit	Lot De Pièces	Ersatzteilpaket	Juego De Piezas	
8	#GUIDE	1	Guide	Guide	Guide	Guide	Ref. 7
9	#BALL	1	Ball	Ball	Ball	Ball	Ref. 7
10	#SPRING	1	Spring	Ressort	Feder	Muelle	Ref. 7
11	6193795M91	1	Plug 9/16" Unf	Bouchon	Stopfen	Tapón, Conj.	
12	#PLUG	1	Plug	Plug	Plug	Plug	Ref. 11
13	#O-RING	1	O-Ring	Joint Torique	O-Ring	Junta Tórica	Ref. 11
14	6193794M1	1	Solenoid	Solénoïde	Magnetspule	Solenoid	
15	6193796M91	1	2 Way Valve Kit	Jeu De Soupapes	Ventilsatz	Juego De Válvulas	
16	#VALVE	1	Valve	Soupape	Ventil	Válvula	Ref. 15
17	#O-RING	1	O-Ring	Joint Torique	O-Ring	Junta Tórica	Ref. 15
18	#O-RING	1	O-Ring	Joint Torique	O-Ring	Junta Tórica	Ref. 15
19	#CAP	1	Cap	Chapeau	Kappe	Tapa	Ref. 15
20	#TIE ROD ASSY	3	Rod Assy	Rod Assy	Rod Assy	Rod Assy	
21	#ROD	1	Rod	Rod	Rod	Rod	Ref. 20
22	#NUT	1	Nut	Ecrou	Mutter	Tuerca	Ref. 20
23	6193771M91	0	Seal Interface Kit	Pochette De Joints	Dichtsatz	Juego De Juntas	
24	#O-RING	3	O-Ring	Joint Torique	O-Ring	Junta Tórica	Ref. 23
25	#O-RING	1	O-Ring	Joint Torique	O-Ring	Junta Tórica	Ref. 23



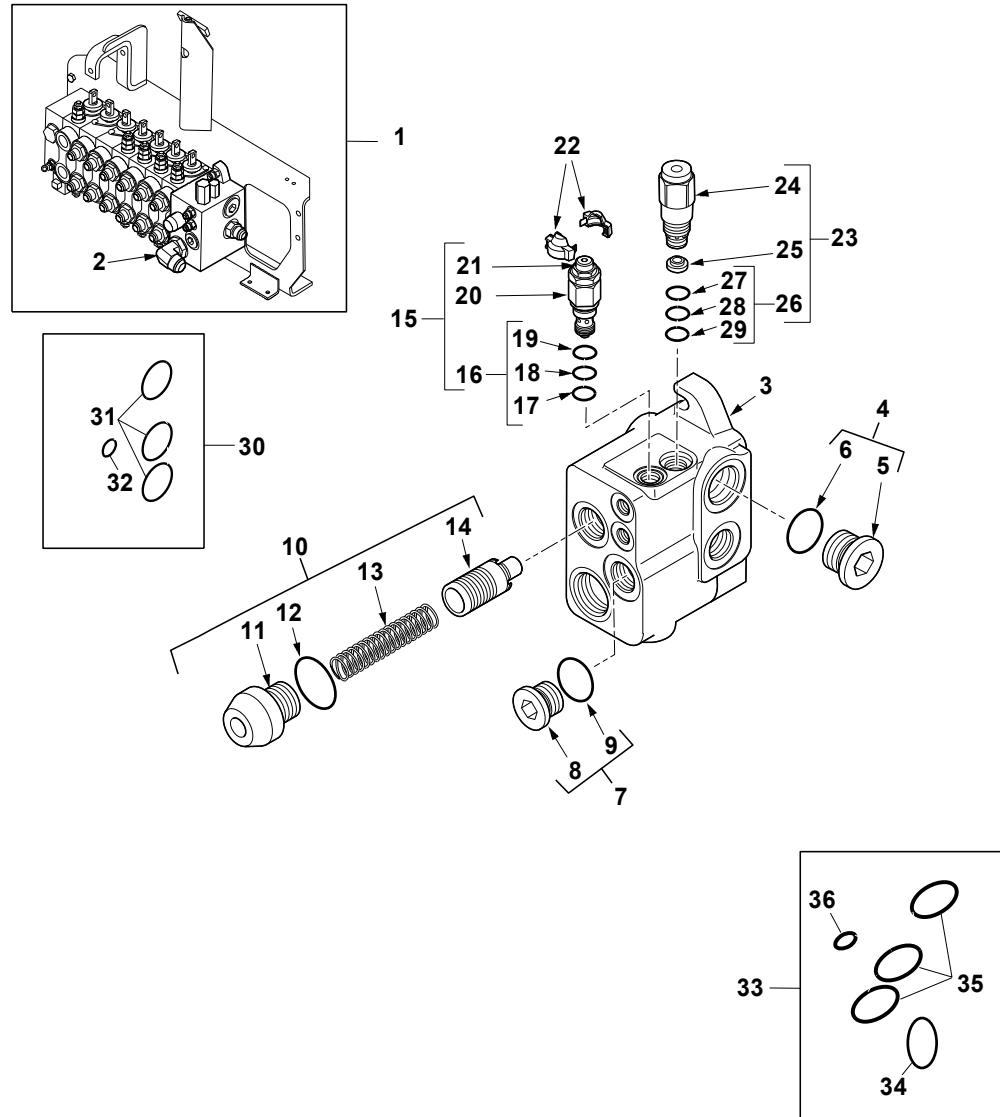
C-38002-01.1-A



Item	Part No.	Qty.	English	French	German	Spanish	Remarks
1	3009493X1	4	Bolt M10-30 Z5c	Boulon M10 X 30	Maschschraube M10	Perno	
2	385362X1	4	Washer, Hardened - M10	Rondelle - M10	Unterlegscheibe M10	Arandela	
3	1440329X1	4	Nut, Hex. - Nyloc, M10	Ecrou Blocage	Flachmutter M10	Tuerca De Retención	
4	6109378M91	1	Valve Assy - Digger Cm Rexroth	Ensemble Distribution	Steuerventilblock Kpl.	Distribuidor, Conj.	
5	6109344M93	1	Bracket- Digger Valve W/Assy	Ensemble Chaise Pali	Bremsanlage	Cuchara, Conj.	
6	6109457M91	1	Digger Valve - 7 Spool Mech C/M	Ensemble Distribution	Steuerventilblock Kpl.	Distribuidor, Conj.	
7	3009496X1	3	Bolt Hex - M10 X 45 (Coarse)	Boulon M10 X 45	Maschschraube - M10	Tornillo	
8	385362X1	3	Washer, Hardened - M10	Rondelle - M10	Unterlegscheibe M10	Arandela	
9	1440329X1	3	Nut, Hex. - Nyloc, M10	Ecrou Blocage	Flachmutter M10	Tuerca De Retención	
10	835057M91	1	Connector B1510m-12-12	Raccord	Schraubanschluss	Conexión, Conj.	
11	#UNION	1	Union	Union	Union	Union	Ref. 10
12	835025M1	1	Ring O	Joint Torique	O Ring	Junta De Tipo O	
13	358766X91	1	Elbow 90deg	Coude	Kniestück, 90	Codo, 90°	
14	#ELBOW	1	Elbow	Elbow	Elbow	Elbow	Ref. 13
15	835026M1	1	O-Ring	Joint Torique	O-Ring	Junta De Tipo O	
16	835091M91	2	Connector 9/16 Unf	Borne	Doppelnippel	Unión	
17	#UNION	1	Union	Union	Union	Union	Ref. 16
18	831452M1	1	O Ring (Pack Of 10)	Joint Torique	O Ring	Junta De Tipo O	
19	365715X91	8	Connector, Hydr.-Straight, 1 1/16 X 7/8	Borne	Doppelnippel	Conexión, Conj.	
20	#UNION	1	Union	Union	Union	Union	Ref. 19
21	835025M1	1	Ring O	Joint Torique	O Ring	Junta De Tipo O	
22	365713X91	4	Connector 1.1/16 - 3/4	Montage	Anschlverschrbg	Unión	
23	#UNION	1	Union	Union	Union	Union	Ref. 22
24	835025M1	1	Ring O	Joint Torique	O Ring	Junta De Tipo O	



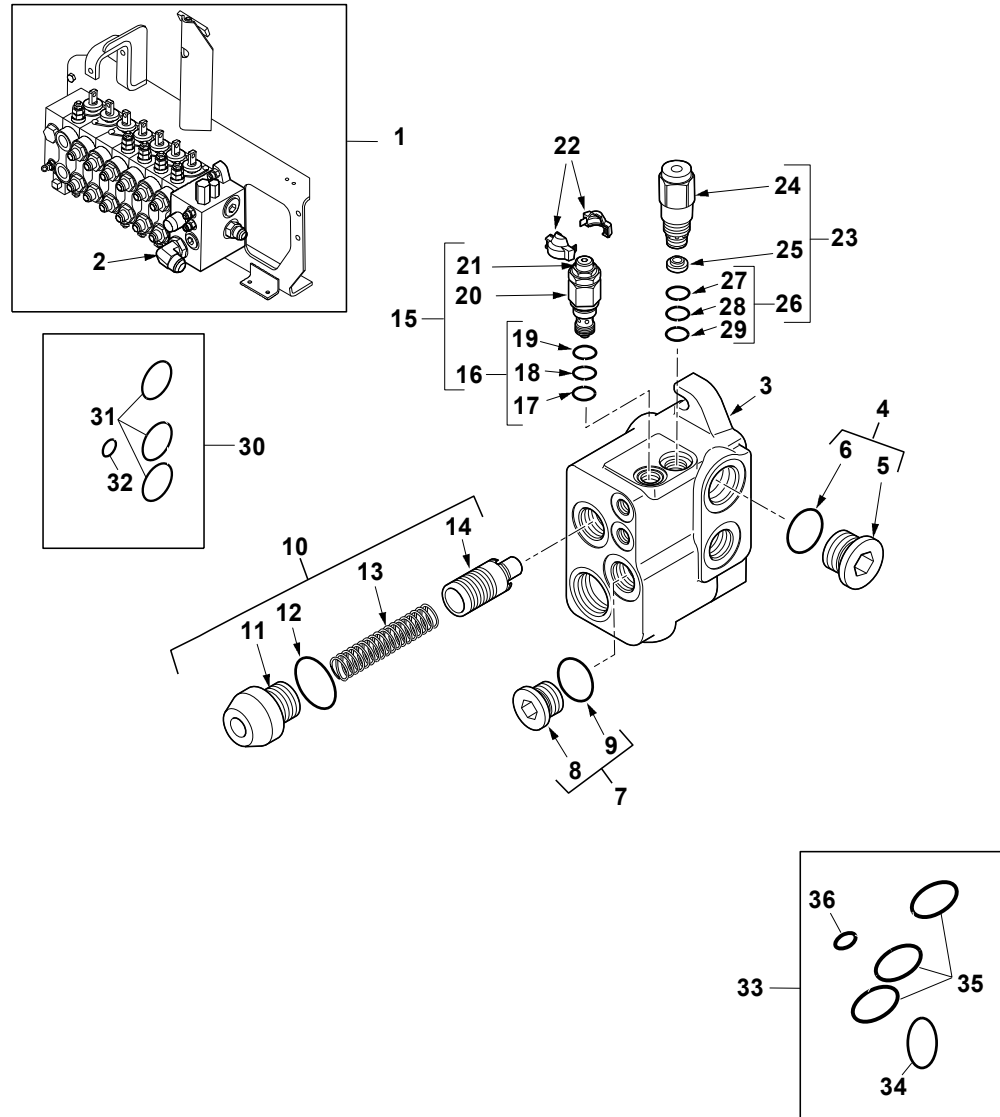
C-38002-02.1-A



Item	Part No.	Qty.	English	French	German	Spanish	Remarks
1	6109457M91	1	Digger Valve - 7 Spool Mech C/M	Ensemble Distribution	Steuerventilblock Kpl.	Distribuidor, Conj.	
2	#VALVE ASSY	1	Valve Assy	Valve Assy	Valve Assy	Valve Assy	Inlet
3	#BODY	1	Body	Body	Body	Body	Ref. 2
4	6193772M91	1	Plug For T Port 5/16 Unf	Bouchon	Stopfen	Tapón, Conj.	
5	#PLUG	1	Plug	Plug	Plug	Plug	Ref. 4
6	#O-RING	1	O-Ring	Joint Torique	O-Ring	Junta Tórica	Ref. 4
7	6193773M91	1	Plug For P 1.1/16 Unf	Bouchon	Stopfen	Tapón, Conj.	
8	#PLUG	1	Plug	Plug	Plug	Plug	Ref. 7
9	#O-RING	1	O-Ring	Joint Torique	O-Ring	Junta Tórica	Ref. 7
10	6193786M91	1	Regulating Kit	Ens. Soupape Pression	Druckventil Kpl.	Válvula Presión, Conj.	
11	#VALVE	1	Valve	Soupape	Ventil	Válvula	Ref. 10
12	#O-RING	1	O-Ring	Joint Torique	O-Ring	Junta Tórica	Ref. 10
13	#SPRING	1	Spring	Ressort	Feder	Muelle	Ref. 10
14	#BODY	1	Body	Body	Body	Body	Ref. 10
15	6193787M91	1	Ls Pressure Relief Valve	Soupape De Sécurité	Überdruckventil	Válvula De Seguridad	
16	6193791M91	1	Seal Kit - L/S Valve	Jeu Étanchéité	Dichtringsatz	Juego De Juntas	
17	#O-RING	1	O-Ring	Joint Torique	O-Ring	Junta Tórica	Ref. 17
18	#O-RING	1	O-Ring	Joint Torique	O-Ring	Junta Tórica	Ref. 17
19	#O-RING	1	O-Ring	Joint Torique	O-Ring	Junta Tórica	Ref. 17
20	#VALVE	1	Valve	Soupape	Ventil	Válvula	Ref. 16
21	#NUT	1	Nut	Ecrou	Mutter	Tuerca	Ref. 16
22	#COVER	0	Cover	Cover	Cover	Cover	Ref. 2
23	6193788M91	1	Flow Regulator 0.7 Lt/Min + Filter	Valve Anti-Surdébit	Begrenzungsventil	Válv. Antisobrecaud.	
24	#VALVE	1	Valve	Soupape	Ventil	Válvula	Ref. 24
25	#ELEMENT	1	Element	Element	Element	Element	Ref. 24
26	6193790M91	1	Seal Kit - Flow Regulator	Jeu Étanchéité	Dichtringsatz	Juego De Juntas	
27	#O-RING	1	O-Ring	Joint Torique	O-Ring	Junta Tórica	Ref. 27
28	#O-RING	1	O-Ring	Joint Torique	O-Ring	Junta Tórica	Ref. 27
29	#O-RING	1	O-Ring	Joint Torique	O-Ring	Junta Tórica	Ref. 27
30	6193771M91	1	Seal Interface Kit	Pochette De Joints	Dichtsatz	Juego De Juntas	

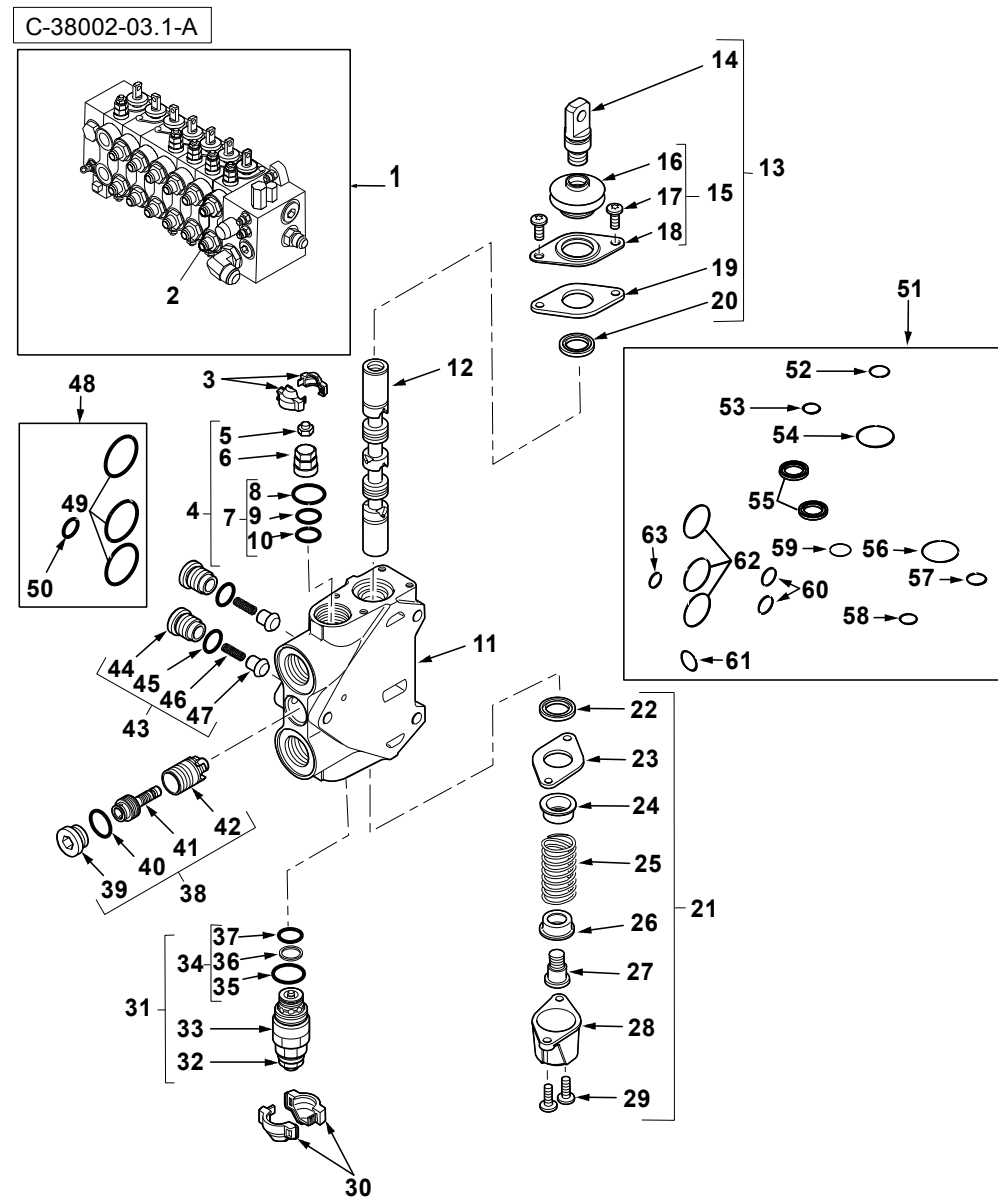


C-38002-02.1-A



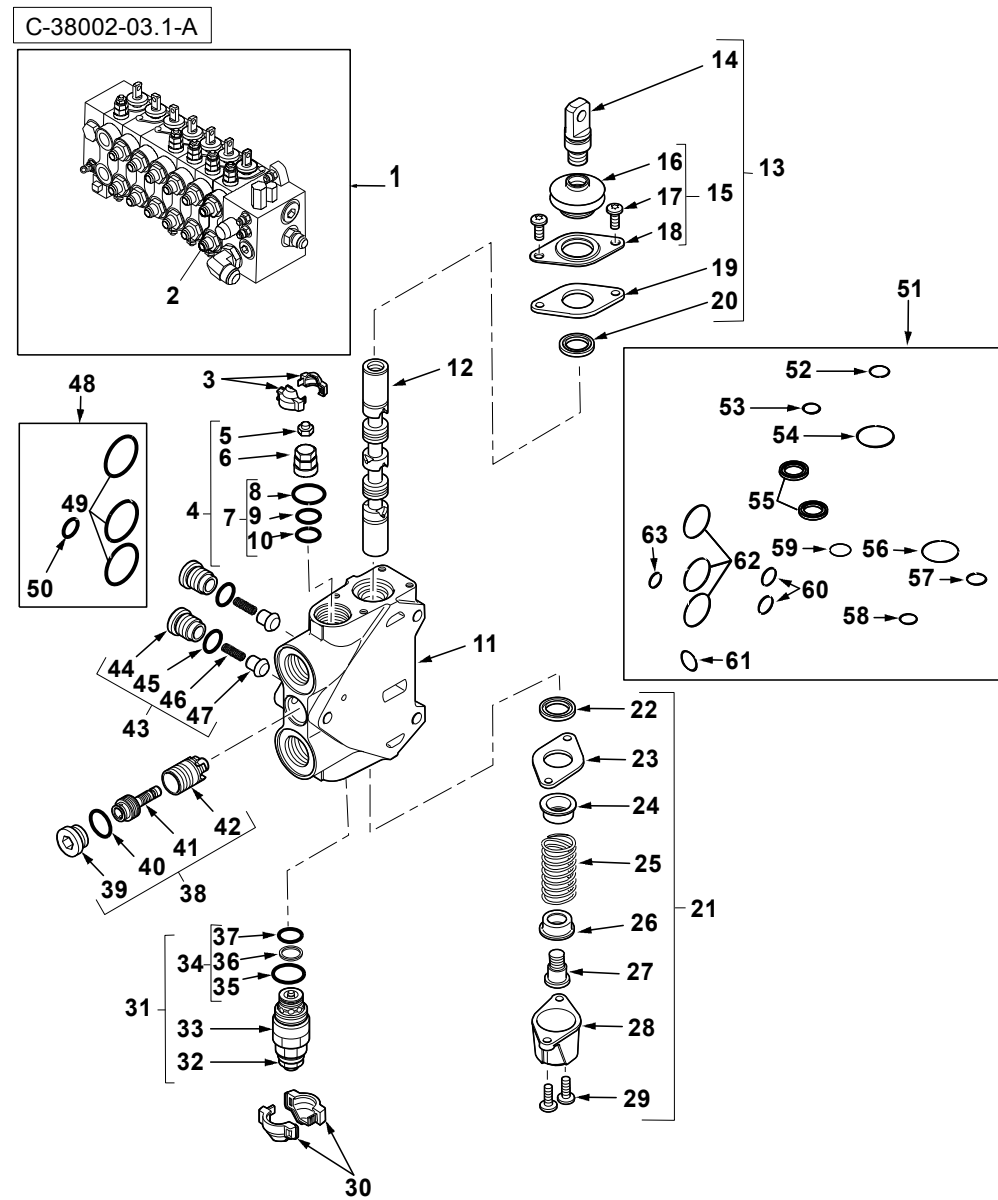
Item	Part No.	Qty.	English	French	German	Spanish	Remarks
31	#O-RING	3	O-Ring	Joint Torique	O-Ring	Junta Tórica	Ref. 31
32	#O-RING	1	O-Ring	Joint Torique	O-Ring	Junta Tórica	Ref. 31
33	6193789M91	1	Seal Kit - Inlet Element	Jeu Étanchéité	Dichtringsatz	Juego De Juntas	
34	#O-RING	1	O-Ring	Joint Torique	O-Ring	Junta Tórica	Ref. 35
35	#O-RING	3	O-Ring	Joint Torique	O-Ring	Junta Tórica	Ref. 35
36	#O-RING	1	O-Ring	Joint Torique	O-Ring	Junta Tórica	Ref. 35





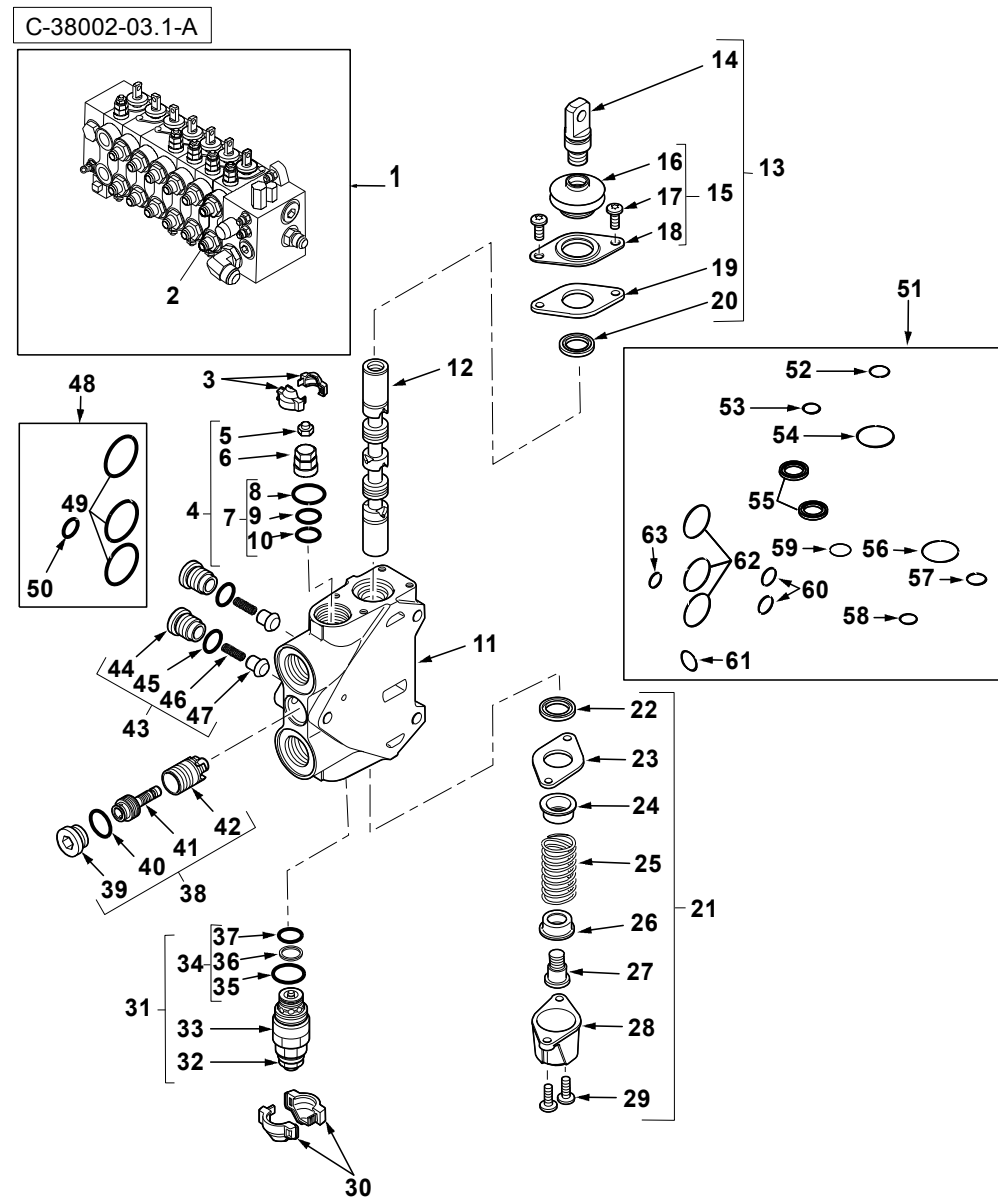
Item	Part No.	Qty.	English	French	German	Spanish	Remarks
1	6109457M91	1	Digger Valve - 7 Spool Mech C/M	Ensemble Distribution	Steuerventilblock Kpl.	Distribuidor, Conj.	Continued
2	#VALVE ASSY	1	Valve Assy	Valve Assy	Valve Assy	Valve Assy	
3	#COVER	0	Cover	Cover	Cover	Cover	Ref. 2
4	6193800M91	1	Pressure Relief Valve H 240 Bar	Valve Decharge	Druckbegrventil	Válvula De Seguridad	
5	#NUT	1	Nut	Ecrou	Mutter	Tuerca	Ref. 4
6	#VALVE	1	Valve	Soupape	Ventil	Válvula	Ref. 4
7	6193779M91	1	Seal Kit - Relief Valve	Jeu Étanchéité	Dichtringsatz	Juego De Juntas	
8	#O-RING	1	O-Ring	Joint Torique	O-Ring	Junta Tórica	Ref. 7
9	#O-RING	1	O-Ring	Joint Torique	O-Ring	Junta Tórica	Ref. 7
10	#O-RING	1	O-Ring	Joint Torique	O-Ring	Junta Tórica	Ref. 7
11	#BODY	1	Body	Body	Body	Body	Ref. 2
12	#SPOOL	1	Spool	Spool	Spool	Spool	Ref. 2
13	6193780M91	1	Kit - Mechanical Optd Z1	Lot De Pièces	Ersatzteilpaket	Juego De Piezas	
14	#SCREW	1	Screw	Vis	Schraube	Tornillo	Ref. 13
15	6193783M91	1	Bellows Kit	Lot De Pieces	Dichtung	Juego De Piezas	
16	#SEAL	1	Seal	Joint Étanchéité	Dichtring	Retén	Ref. 15
17	#SCREW	1	Screw	Vis	Schraube	Tornillo	Ref. 15
18	#COVER	2	Cover	Cover	Cover	Cover	Ref. 15
19	#PLATE	1	Plate	Plaque	Platte	Plato	Ref. 13
20	6194492M1	1	Lip Seal - Rexorth Ref: 8100160	Joint Étanchéité	Dichtring	Junta	
21	6193784M91	1	Mechanical Optd Kit	Lot De Pièces	Ersatzteilpaket	Juego De Piezas	
22	6194492M1	1	Lip Seal - Rexorth Ref: 8100160	Joint Étanchéité	Dichtring	Junta	
23	#PLATE	1	Plate	Plaque	Platte	Plato	Ref. 21
24	#HOLDER	1	Holder	Holder	Holder	Holder	Ref. 21
25	#SPRING	1	Spring	Ressort	Feder	Muelle	Ref. 21
26	#HOLDER	1	Holder	Holder	Holder	Holder	Ref. 21
27	#SCREW	1	Screw	Vis	Schraube	Tornillo	Ref. 21
28	#CAP	1	Cap	Chapeau	Kappe	Tapa	Ref. 21
29	#SCREW	2	Screw	Vis	Schraube	Tornillo	Ref. 21
30	#COVER	0	Cover	Cover	Cover	Cover	Ref. 21





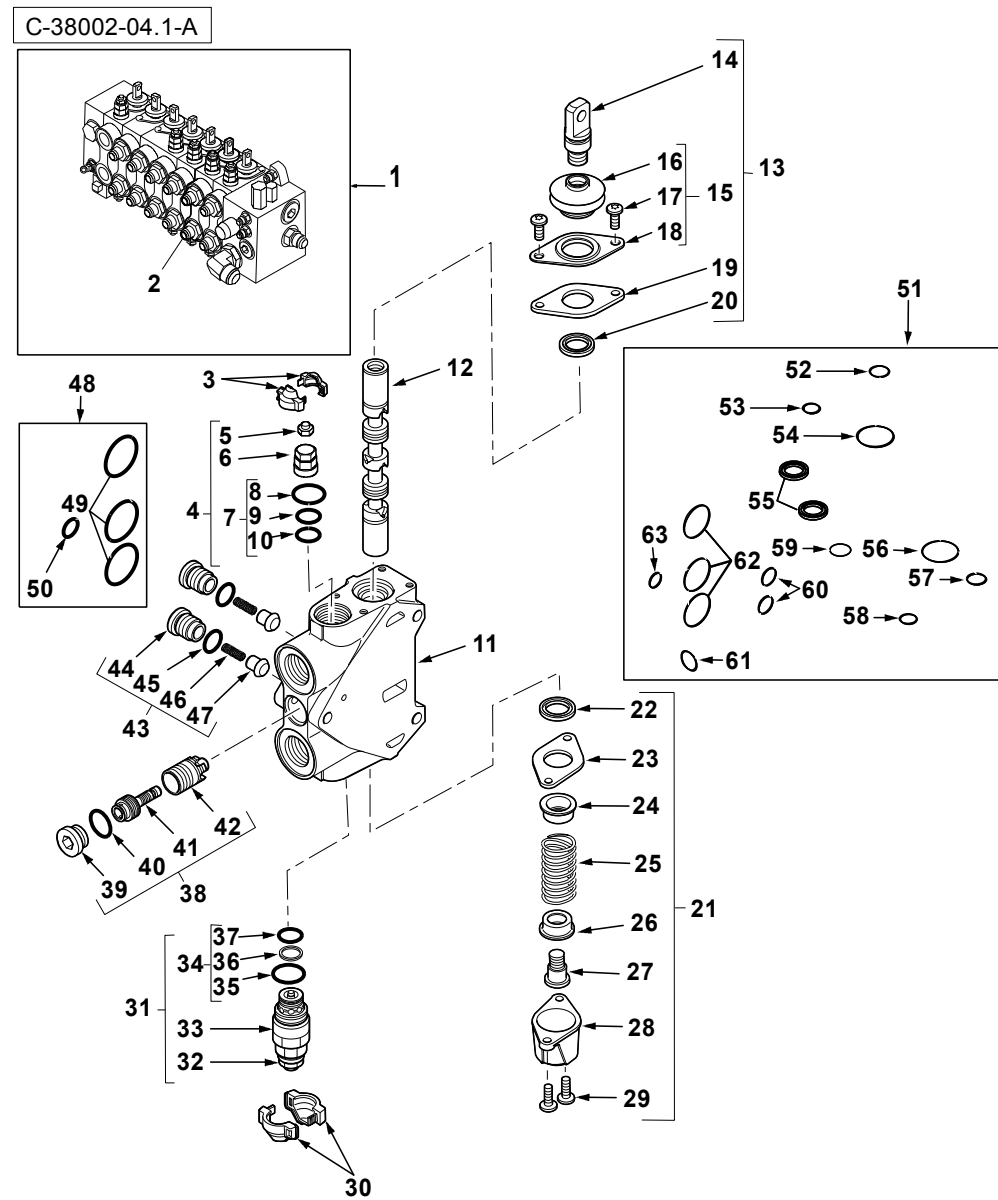
Item	Part No.	Qty.	English	French	German	Spanish	Remarks
31	6193800M91	1	Pressure Relief Valve H 240 Bar	Valve Decharge	Druckbegrentil	Válvula De Seguridad	
32	#NUT	1	Nut	Ecrou	Mutter	Tuerca	Ref. 31
33	#VALVE	1	Valve	Soupape	Ventil	Válvula	Ref. 31
34	6193779M91	1	Seal Kit - Relief Valve	Jeu Étanchéité	Dichtringsatz	Juego De Juntas	
35	#O-RING	1	O-Ring	Joint Torique	O-Ring	Junta Tórica	Ref. 34
36	#O-RING	1	O-Ring	Joint Torique	O-Ring	Junta Tórica	Ref. 34
37	#O-RING	1	O-Ring	Joint Torique	O-Ring	Junta Tórica	Ref. 34
38	6193774M91	1	Kit - Compensator	Ensemble De Soupape	Ventil Kpl.	Válvula, Conj.	
39	#PLUG	1	Plug	Plug	Plug	Plug	Ref. 38
40	#O-RING	1	O-Ring	Joint Torique	O-Ring	Junta Tórica	Ref. 38
41	#VALVE	1	Valve	Soupape	Ventil	Válvula	Ref. 38
42	#BODY	1	Body	Body	Body	Body	Ref. 38
43	6193775M91	2	Check Valve Kit	Clapet Anti-Retour	Rückschlagventil	Válvula De Parada	
44	#PLUG	1	Plug	Plug	Plug	Plug	Ref. 43
45	#O-RING	1	O-Ring	Joint Torique	O-Ring	Junta Tórica	Ref. 43
46	#SPRING	1	Spring	Ressort	Feder	Muelle	Ref. 43
47	#VALVE	1	Valve	Soupape	Ventil	Válvula	Ref. 43
48	6193771M91	1	Seal Interface Kit	Pochette De Joints	Dichtsatz	Juego De Juntas	
49	#O-RING	3	O-Ring	Joint Torique	O-Ring	Junta Tórica	Ref. 48
50	#O-RING	1	O-Ring	Joint Torique	O-Ring	Junta Tórica	Ref. 48
51	6193781M91	0	Seal Kit Complete	Jeu Etancheite	Dichtringsatz	Juege De Juntas	
52	#O-RING	1	O-Ring	Joint Torique	O-Ring	Junta Tórica	18.77 X 1.78 Ref. 51
53	#O-RING	1	O-Ring	Joint Torique	O-Ring	Junta Tórica	15.6 X 1.78 Ref. 51
54	#O-RING	1	O-Ring	Joint Torique	O-Ring	Junta Tórica	36.3 X 1.78 Ref. 51
55	6194492M1	2	Lip Seal - Rexorth Ref: 8100160	Joint Étanchéité	Dichtring	Junta	
56	#O-RING	1	O-Ring	Joint Torique	O-Ring	Junta Tórica	36.3 X 1.78 Ref. 51
57	#O-RING	1	O-Ring	Joint Torique	O-Ring	Junta Tórica	18.77 X 1.78 Ref. 51
58	#O-RING	1	O-Ring	Joint Torique	O-Ring	Junta Tórica	15.6 X 1.78 Ref. 51
59	#O-RING	1	O-Ring	Joint Torique	O-Ring	Junta Tórica	18 X 2.5 Ref. 51
60	#O-RING	2	O-Ring	Joint Torique	O-Ring	Junta Tórica	15 X 2 Ref. 51





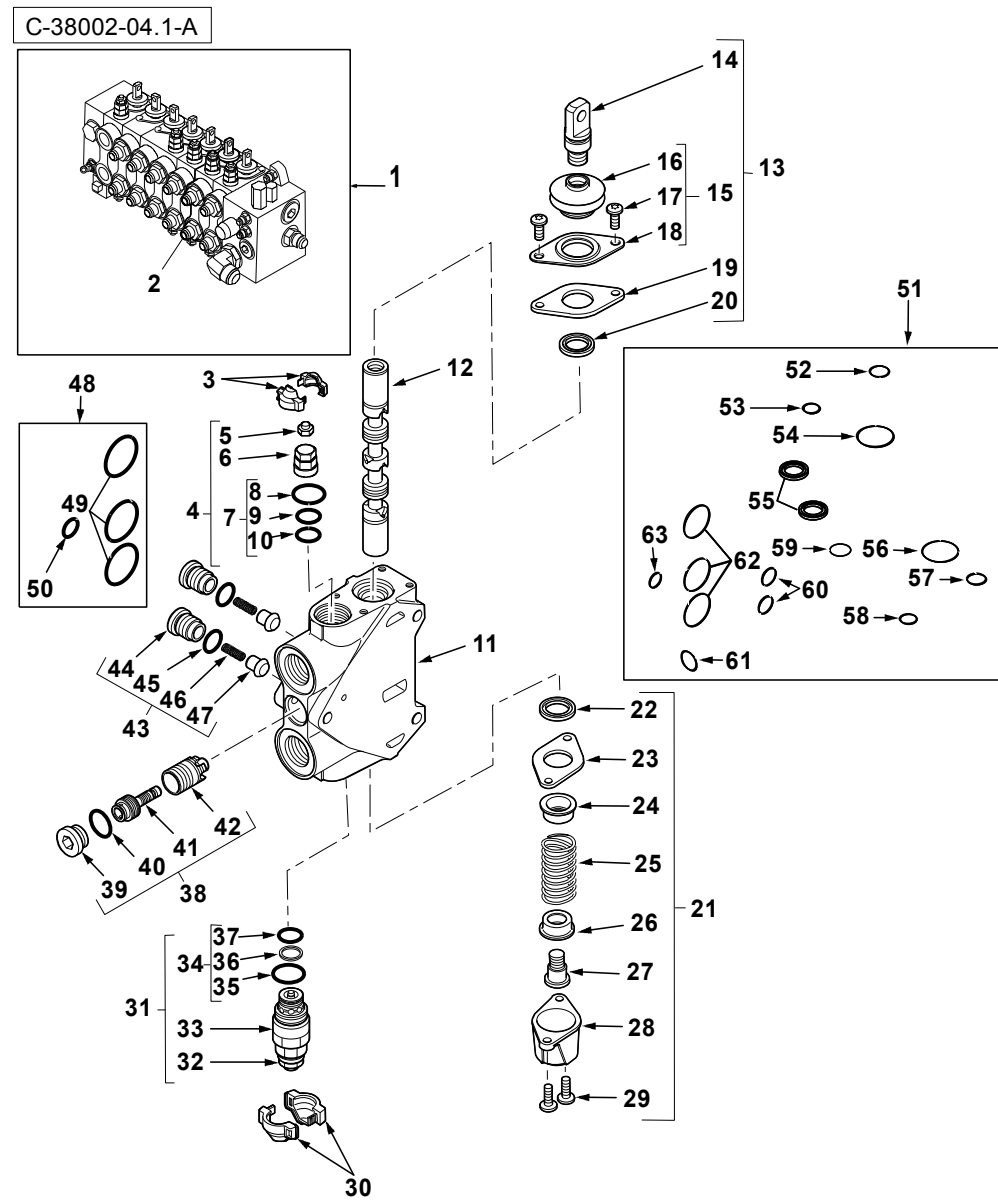
Item	Part No.	Qty.	English	French	German	Spanish	Remarks
61	#O-RING	1	O-Ring	Joint Torique	O-Ring	Junta Tórica	19.4 X 2.1 Ref. 51
62	#O-RING	3	O-Ring	Joint Torique	O-Ring	Junta Tórica	29.82 X 2.62 Ref. 51
63	#O-RING	1	O-Ring	Joint Torique	O-Ring	Junta Tórica	10.77 X 2.62 Ref. 51





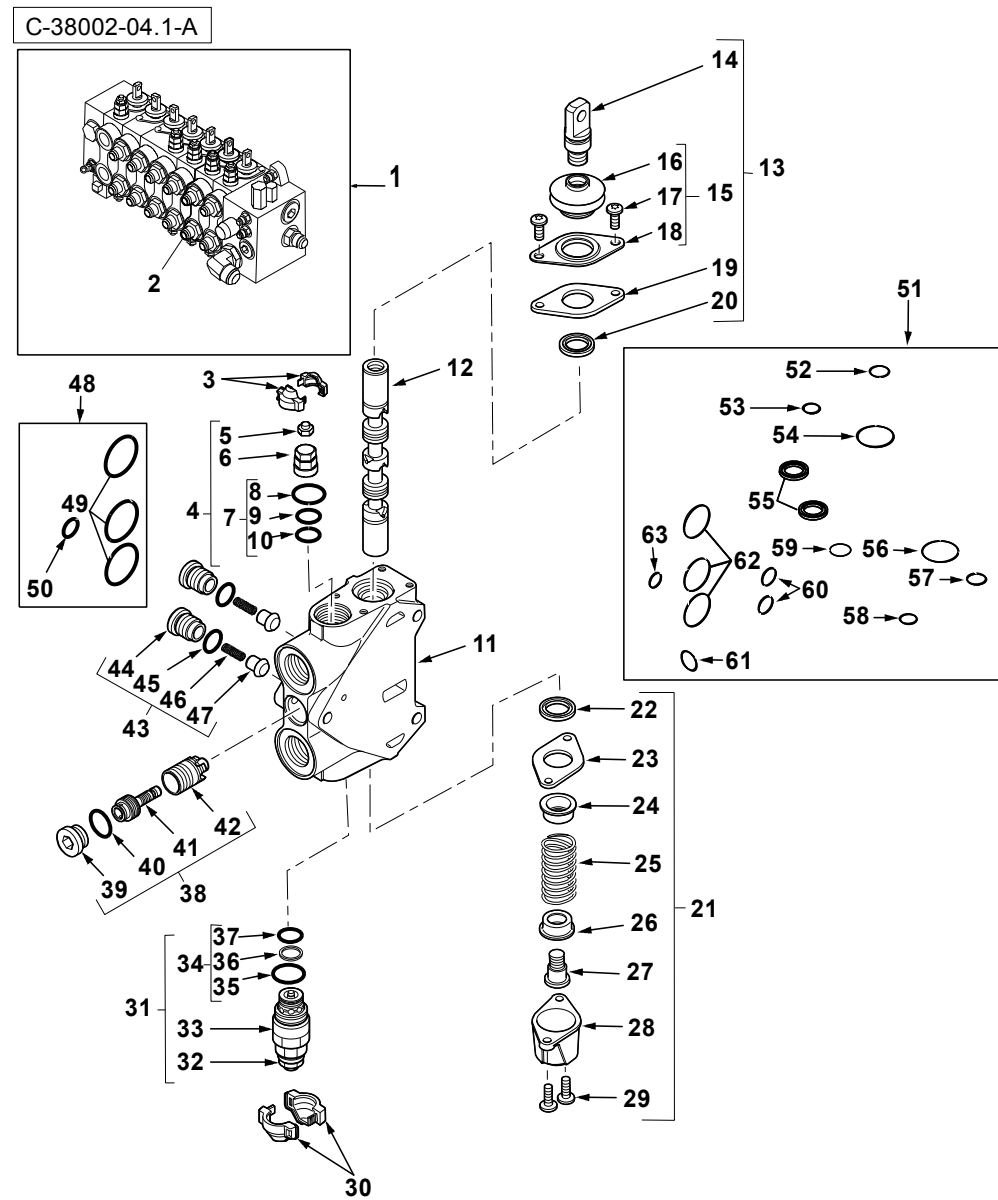
Item	Part No.	Qty.	English	French	German	Spanish	Remarks
1	6109457M91	1	Digger Valve - 7 Spool Mech C/M	Ensemble Distribution	Steuerventilblock Kpl.	Distribuidor, Conj.	Continued
2	#VALVE ASSY	1	Valve Assy	Valve Assy	Valve Assy	Valve Assy	
3	#COVER	0	Cover	Cover	Cover	Cover	Ref. 2
4	6193800M91	1	Pressure Relief Valve H 240 Bar	Valve Decharge	Druckbegrventil	Válvula De Seguridad	
5	#NUT	1	Nut	Ecrou	Mutter	Tuerca	Ref. 4
6	#VALVE	1	Valve	Soupape	Ventil	Válvula	Ref. 4
7	6193779M91	1	Seal Kit - Relief Valve	Jeu Étanchéité	Dichtringsatz	Juego De Juntas	
8	#O-RING	1	O-Ring	Joint Torique	O-Ring	Junta Tórica	Ref. 7
9	#O-RING	1	O-Ring	Joint Torique	O-Ring	Junta Tórica	Ref. 7
10	#O-RING	1	O-Ring	Joint Torique	O-Ring	Junta Tórica	Ref. 7
11	#BODY	1	Body	Body	Body	Body	Ref. 2
12	#SPOOL	1	Spool	Spool	Spool	Spool	Ref. 2
13	6193780M91	1	Kit - Mechanical Optd Z1	Lot De Pièces	Ersatzteilpaket	Juego De Piezas	
14	#SCREW	1	Screw	Vis	Schraube	Tornillo	Ref. 13
15	6193783M91	1	Bellows Kit	Lot De Pieces	Dichtung	Juego De Piezas	
16	#SEAL	1	Seal	Joint Étanchéité	Dichtring	Retén	Ref. 15
17	#SCREW	1	Screw	Vis	Schraube	Tornillo	Ref. 15
18	#COVER	2	Cover	Cover	Cover	Cover	Ref. 15
19	#PLATE	1	Plate	Plaque	Platte	Plato	Ref. 13
20	6194492M1	1	Lip Seal - Rexorth Ref: 8100160	Joint Étanchéité	Dichtring	Junta	
21	6193784M91	1	Mechanical Optd Kit	Lot De Pièces	Ersatzteilpaket	Juego De Piezas	
22	6194492M1	1	Lip Seal - Rexorth Ref: 8100160	Joint Étanchéité	Dichtring	Junta	
23	#PLATE	1	Plate	Plaque	Platte	Plato	Ref. 21
24	#HOLDER	1	Holder	Holder	Holder	Holder	Ref. 21
25	#SPRING	1	Spring	Ressort	Feder	Muelle	Ref. 21
26	#HOLDER	1	Holder	Holder	Holder	Holder	Ref. 21
27	#SCREW	1	Screw	Vis	Schraube	Tornillo	Ref. 21
28	#CAP	1	Cap	Chapeau	Kappe	Tapa	Ref. 21
29	#SCREW	2	Screw	Vis	Schraube	Tornillo	Ref. 21
30	#COVER	0	Cover	Cover	Cover	Cover	Ref. 21





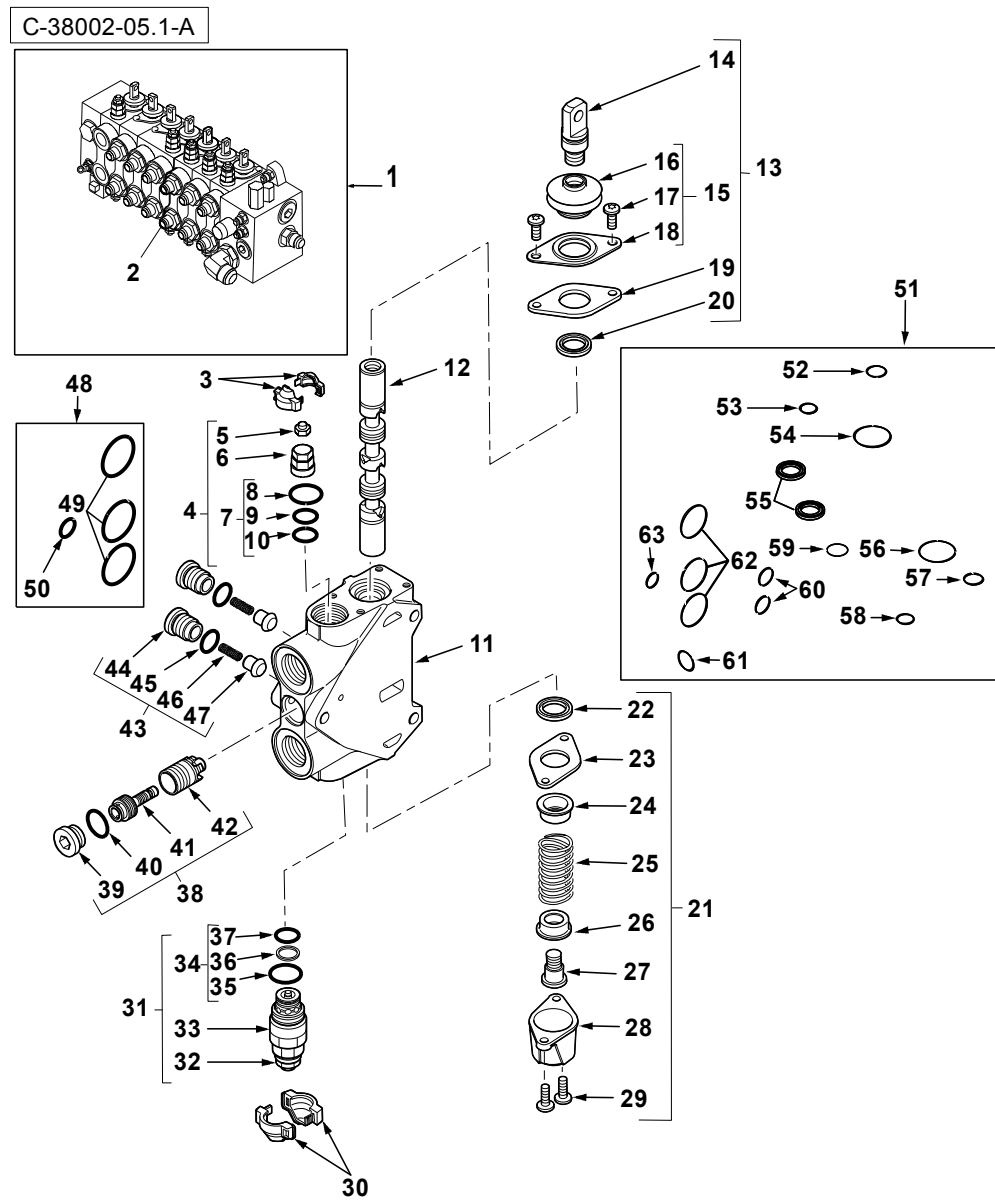
Item	Part No.	Qty.	English	French	German	Spanish	Remarks
31	6193804M91	1	Pressure Relief Valve H (310 Bar)	Valve Decharge	Druckbegrventil	Válvula De Seguridad	
32	#NUT	1	Nut	Ecrou	Mutter	Tuerca	Ref. 31
33	#VALVE	1	Valve	Soupape	Ventil	Válvula	Ref. 31
34	6193779M91	1	Seal Kit - Relief Valve	Jeu Étanchéité	Dichtringsatz	Juego De Juntas	
35	#O-RING	1	O-Ring	Joint Torique	O-Ring	Junta Tórica	Ref. 34
36	#O-RING	1	O-Ring	Joint Torique	O-Ring	Junta Tórica	Ref. 34
37	#O-RING	1	O-Ring	Joint Torique	O-Ring	Junta Tórica	Ref. 34
38	6193774M91	1	Kit - Compensator	Ensemble De Soupape	Ventil Kpl.	Válvula, Conj.	
39	#PLUG	1	Plug	Plug	Plug	Plug	Ref. 38
40	#O-RING	1	O-Ring	Joint Torique	O-Ring	Junta Tórica	Ref. 38
41	#VALVE	1	Valve	Soupape	Ventil	Válvula	Ref. 38
42	#BODY	1	Body	Body	Body	Body	Ref. 38
43	6193775M91	2	Check Valve Kit	Clapet Anti-Retour	Rückschlagventil	Válvula De Parada	
44	#PLUG	1	Plug	Plug	Plug	Plug	Ref. 43
45	#O-RING	1	O-Ring	Joint Torique	O-Ring	Junta Tórica	Ref. 43
46	#SPRING	1	Spring	Ressort	Feder	Muelle	Ref. 43
47	#VALVE	1	Valve	Soupape	Ventil	Válvula	Ref. 43
48	6193771M91	1	Seal Interface Kit	Pochette De Joints	Dichtsatz	Juego De Juntas	
49	#O-RING	3	O-Ring	Joint Torique	O-Ring	Junta Tórica	Ref. 48
50	#O-RING	1	O-Ring	Joint Torique	O-Ring	Junta Tórica	Ref. 48
51	6193781M91	0	Seal Kit Complete	Jeu Etancheite	Dichtringsatz	Juege De Juntas	
52	#O-RING	1	O-Ring	Joint Torique	O-Ring	Junta Tórica	18.77 X 1.78 Ref. 51
53	#O-RING	1	O-Ring	Joint Torique	O-Ring	Junta Tórica	15.6 X 1.78 Ref. 51
54	#O-RING	1	O-Ring	Joint Torique	O-Ring	Junta Tórica	36.3 X 1.78 Ref. 51
55	6194492M1	2	Lip Seal - Rexorth Ref: 8100160	Joint Étanchéité	Dichtring	Junta	
56	#O-RING	1	O-Ring	Joint Torique	O-Ring	Junta Tórica	36.3 X 1.78 Ref. 51
57	#O-RING	1	O-Ring	Joint Torique	O-Ring	Junta Tórica	18.77 X 1.78 Ref. 51
58	#O-RING	1	O-Ring	Joint Torique	O-Ring	Junta Tórica	15.6 X 1.78 Ref. 51
59	#O-RING	1	O-Ring	Joint Torique	O-Ring	Junta Tórica	18 X 2.5 Ref. 51
60	#O-RING	2	O-Ring	Joint Torique	O-Ring	Junta Tórica	15 X 2 Ref. 51





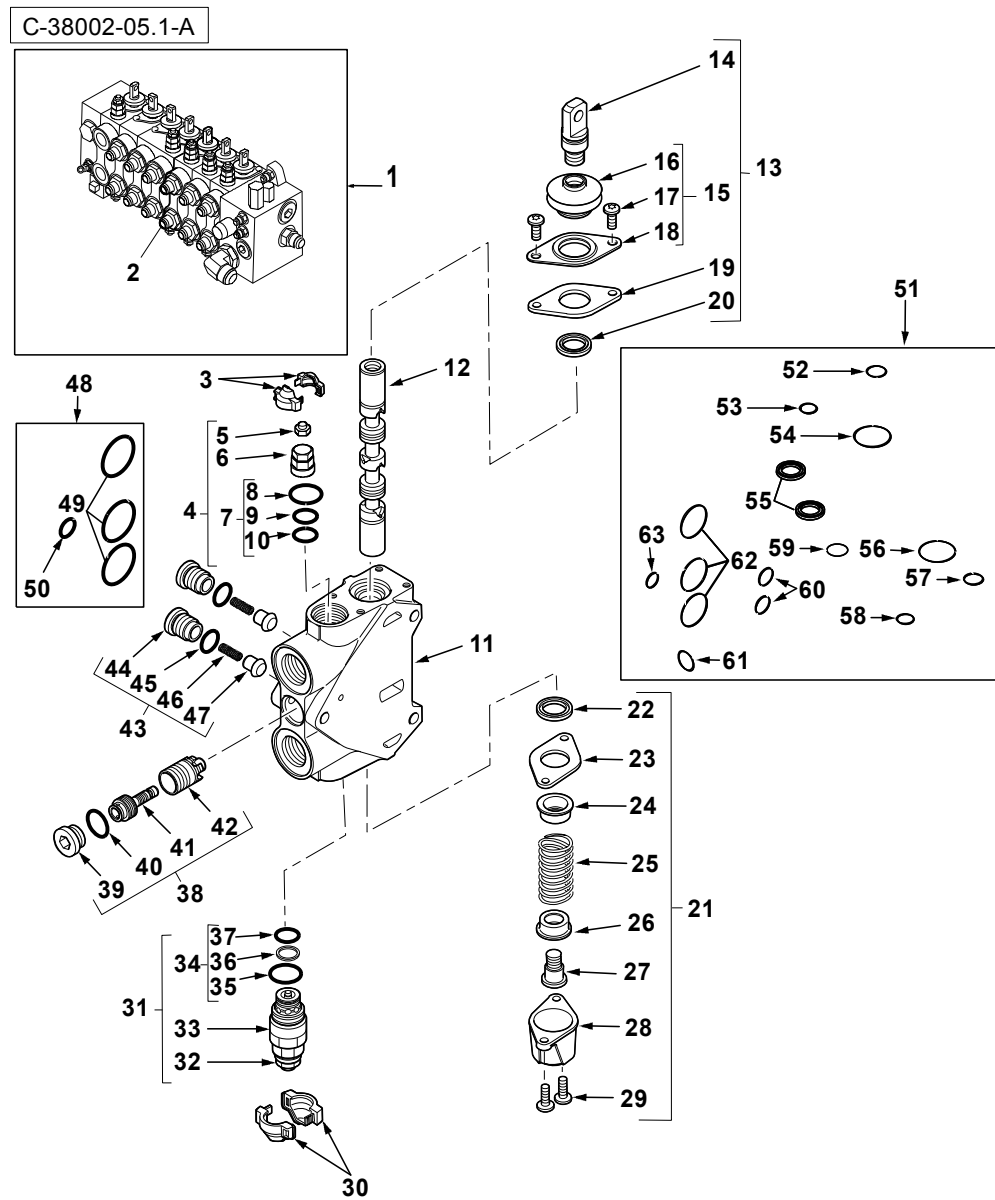
Item	Part No.	Qty.	English	French	German	Spanish	Remarks
61	#O-RING	1	O-Ring	Joint Torique	O-Ring	Junta Tórica	19.4 X 2.1 Ref. 51
62	#O-RING	3	O-Ring	Joint Torique	O-Ring	Junta Tórica	29.82 X 2.62 Ref. 51
63	#O-RING	1	O-Ring	Joint Torique	O-Ring	Junta Tórica	10.77 X 2.62 Ref. 51





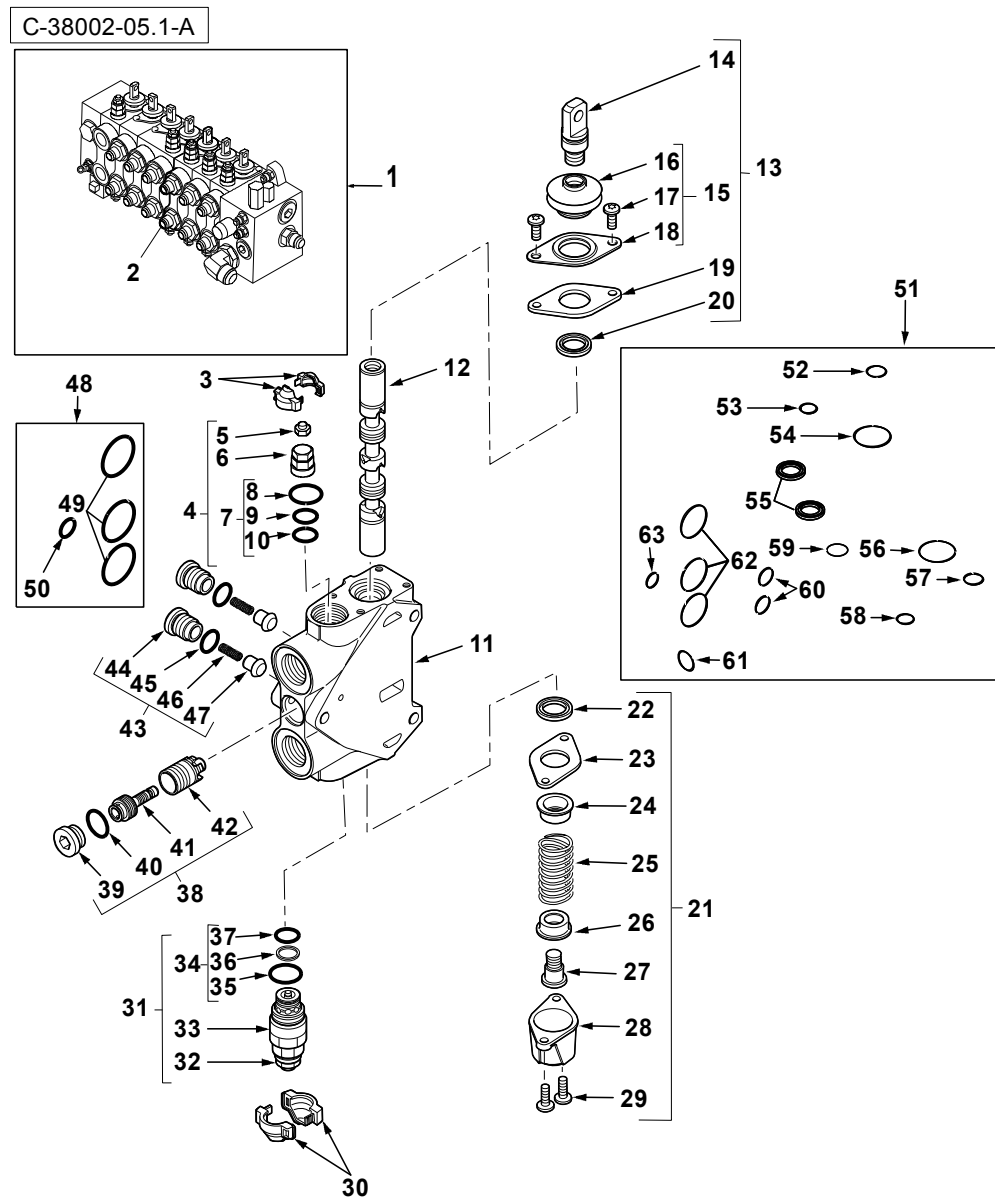
Item	Part No.	Qty.	English	French	German	Spanish	Remarks
1	6109457M91	1	Digger Valve - 7 Spool Mech C/M	Ensemble Distribution	Steuerventilblock Kpl.	Distribuidor, Conj.	Continued
2	#VALVE ASSY	1	Valve Assy	Valve Assy	Valve Assy	Valve Assy	
3	#COVER	0	Cover	Cover	Cover	Cover	Ref. 2
4	6193805M91	1	Pressure Relief Valve H 280 Bar	Valve Decharge	Druckbegrventil	Válvula De Seguridad	
5	#NUT	1	Nut	Ecrou	Mutter	Tuerca	Ref. 4
6	#VALVE	1	Valve	Soupape	Ventil	Válvula	Ref. 4
7	6193779M91	1	Seal Kit - Relief Valve	Jeu Étanchéité	Dichtringsatz	Juego De Juntas	
8	#O-RING	1	O-Ring	Joint Torique	O-Ring	Junta Tórica	Ref. 7
9	#O-RING	1	O-Ring	Joint Torique	O-Ring	Junta Tórica	Ref. 7
10	#O-RING	1	O-Ring	Joint Torique	O-Ring	Junta Tórica	Ref. 7
11	#BODY	1	Body	Body	Body	Body	Ref. 2
12	#SPOOL	1	Spool	Spool	Spool	Spool	Ref. 2
13	6193780M91	1	Kit - Mechanical Optd Z1	Lot De Pièces	Ersatzteilpaket	Juego De Piezas	
14	#SCREW	1	Screw	Vis	Schraube	Tornillo	Ref. 13
15	6193783M91	1	Bellows Kit	Lot De Pieces	Dichtung	Juego De Piezas	
16	#SEAL	1	Seal	Joint Étanchéité	Dichtring	Retén	Ref. 15
17	#SCREW	1	Screw	Vis	Schraube	Tornillo	Ref. 15
18	#COVER	2	Cover	Cover	Cover	Cover	Ref. 15
19	#PLATE	1	Plate	Plaque	Platte	Plato	Ref. 13
20	6194492M1	1	Lip Seal - Rexorth Ref: 8100160	Joint Étanchéité	Dichtring	Junta	
21	6193784M91	1	Mechanical Optd Kit	Lot De Pièces	Ersatzteilpaket	Juego De Piezas	
22	6194492M1	1	Lip Seal - Rexorth Ref: 8100160	Joint Étanchéité	Dichtring	Junta	
23	#PLATE	1	Plate	Plaque	Platte	Plato	Ref. 21
24	#HOLDER	1	Holder	Holder	Holder	Holder	Ref. 21
25	#SPRING	1	Spring	Ressort	Feder	Muelle	Ref. 21
26	#HOLDER	1	Holder	Holder	Holder	Holder	Ref. 21
27	#SCREW	1	Screw	Vis	Schraube	Tornillo	Ref. 21
28	#CAP	1	Cap	Chapeau	Kappe	Tapa	Ref. 21
29	#SCREW	2	Screw	Vis	Schraube	Tornillo	Ref. 21
30	#COVER	0	Cover	Cover	Cover	Cover	Ref. 21





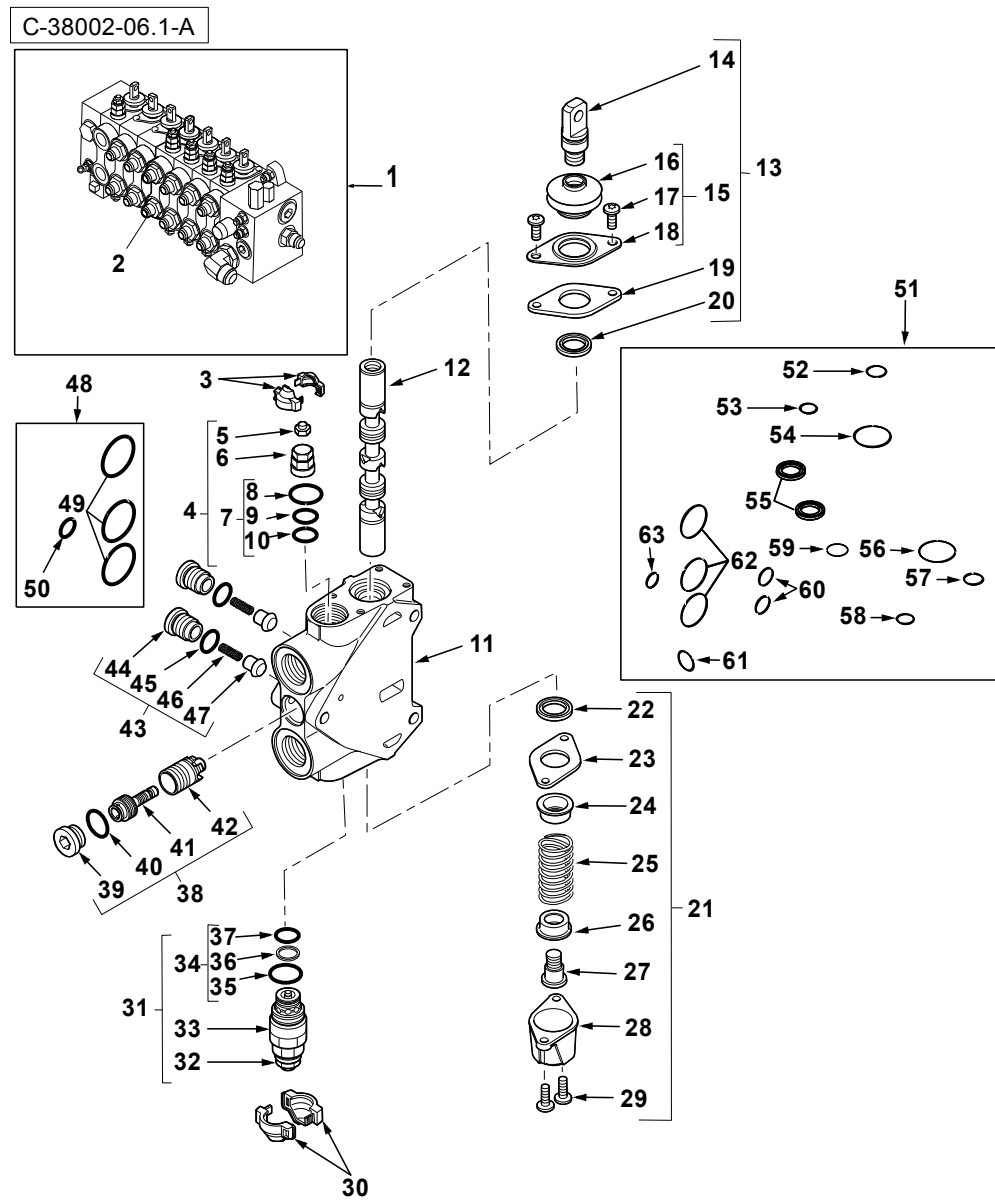
Item	Part No.	Qty.	English	French	German	Spanish	Remarks
31	6193802M91	1	Pressure Relief Valve H 265 Bar	Valve Decharge	Druckbegrentil	Válvula De Seguridad	
32	#NUT	1	Nut	Ecrou	Mutter	Tuerca	Ref. 31
33	#VALVE	1	Valve	Soupape	Ventil	Válvula	Ref. 31
34	6193779M91	1	Seal Kit - Relief Valve	Jeu Étanchéité	Dichtringsatz	Juego De Juntas	
35	#O-RING	1	O-Ring	Joint Torique	O-Ring	Junta Tórica	Ref. 34
36	#O-RING	1	O-Ring	Joint Torique	O-Ring	Junta Tórica	Ref. 34
37	#O-RING	1	O-Ring	Joint Torique	O-Ring	Junta Tórica	Ref. 34
38	6193792M91	1	Compensator Kit	Ensemble De Soupape	Ventil Kpl.	Válvula, Conj.	
39	#PLUG	1	Plug	Plug	Plug	Plug	Ref. 38
40	#O-RING	1	O-Ring	Joint Torique	O-Ring	Junta Tórica	Ref. 38
41	#VALVE	1	Valve	Soupape	Ventil	Válvula	Ref. 38
42	#BODY	1	Body	Body	Body	Body	Ref. 38
43	6193775M91	2	Check Valve Kit	Clapet Anti-Retour	Rückschlagventil	Válvula De Parada	
44	#PLUG	1	Plug	Plug	Plug	Plug	Ref. 43
45	#O-RING	1	O-Ring	Joint Torique	O-Ring	Junta Tórica	Ref. 43
46	#SPRING	1	Spring	Ressort	Feder	Muelle	Ref. 43
47	#VALVE	1	Valve	Soupape	Ventil	Válvula	Ref. 43
48	6193771M91	1	Seal Interface Kit	Pochette De Joints	Dichtsatz	Juego De Juntas	
49	#O-RING	3	O-Ring	Joint Torique	O-Ring	Junta Tórica	Ref. 48
50	#O-RING	1	O-Ring	Joint Torique	O-Ring	Junta Tórica	Ref. 48
51	6193781M91	0	Seal Kit Complete	Jeu Etancheite	Dichtringsatz	Juege De Juntas	
52	#O-RING	1	O-Ring	Joint Torique	O-Ring	Junta Tórica	18.77 X 1.78 Ref. 51
53	#O-RING	1	O-Ring	Joint Torique	O-Ring	Junta Tórica	15.6 X 1.78 Ref. 51
54	#O-RING	1	O-Ring	Joint Torique	O-Ring	Junta Tórica	36.3 X 1.78 Ref. 51
55	6194492M1	2	Lip Seal - Rexorth Ref: 8100160	Joint Étanchéité	Dichtring	Junta	
56	#O-RING	1	O-Ring	Joint Torique	O-Ring	Junta Tórica	36.3 X 1.78 Ref. 51
57	#O-RING	1	O-Ring	Joint Torique	O-Ring	Junta Tórica	18.77 X 1.78 Ref. 51
58	#O-RING	1	O-Ring	Joint Torique	O-Ring	Junta Tórica	15.6 X 1.78 Ref. 51
59	#O-RING	1	O-Ring	Joint Torique	O-Ring	Junta Tórica	18 X 2.5 Ref. 51
60	#O-RING	2	O-Ring	Joint Torique	O-Ring	Junta Tórica	15 X 2 Ref. 51





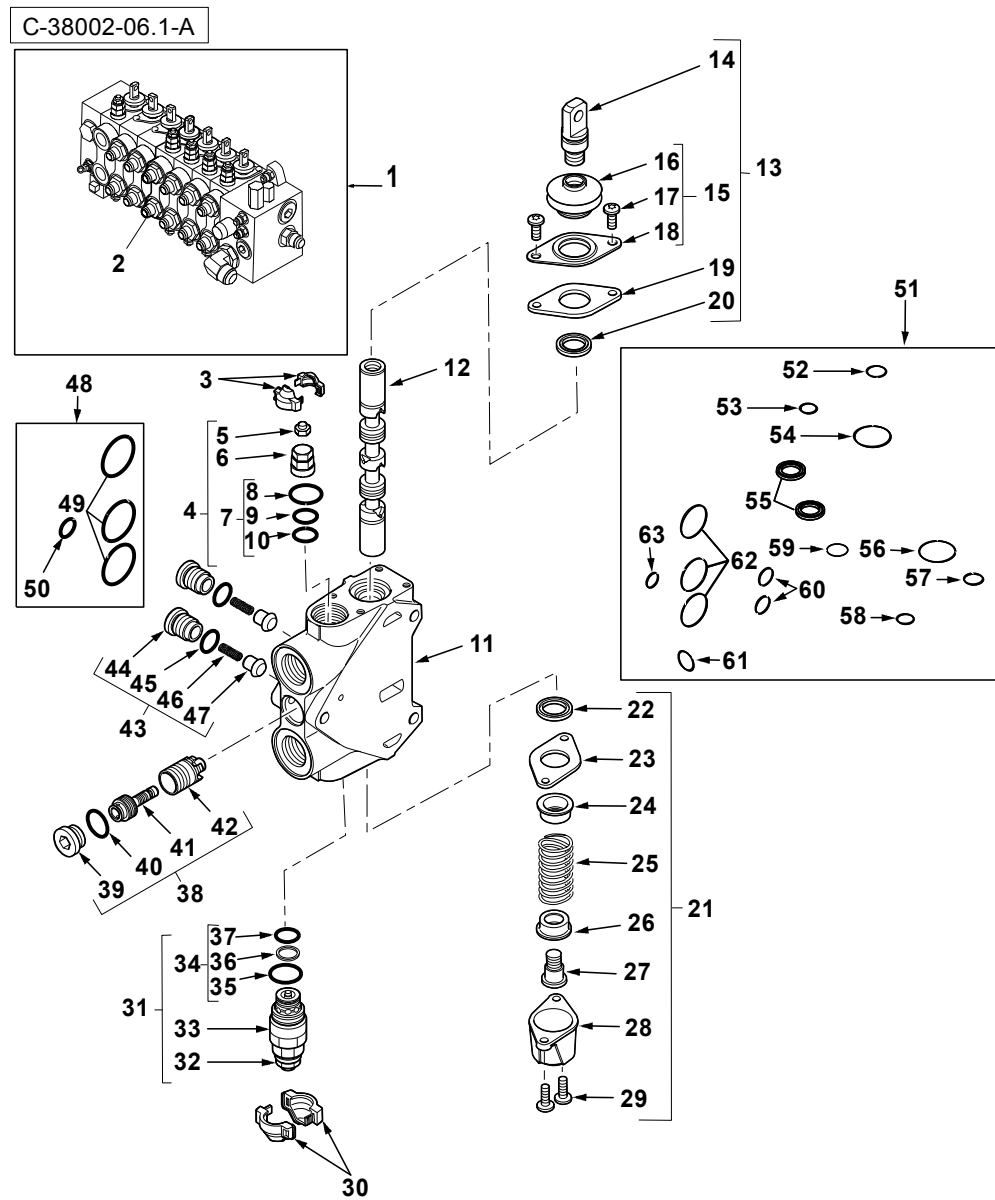
Item	Part No.	Qty.	English	French	German	Spanish	Remarks
61	#O-RING	1	O-Ring	Joint Torique	O-Ring	Junta Tórica	19.4 X 2.1 Ref. 51
62	#O-RING	3	O-Ring	Joint Torique	O-Ring	Junta Tórica	29.82 X 2.62 Ref. 51
63	#O-RING	1	O-Ring	Joint Torique	O-Ring	Junta Tórica	10.77 X 2.62 Ref. 51





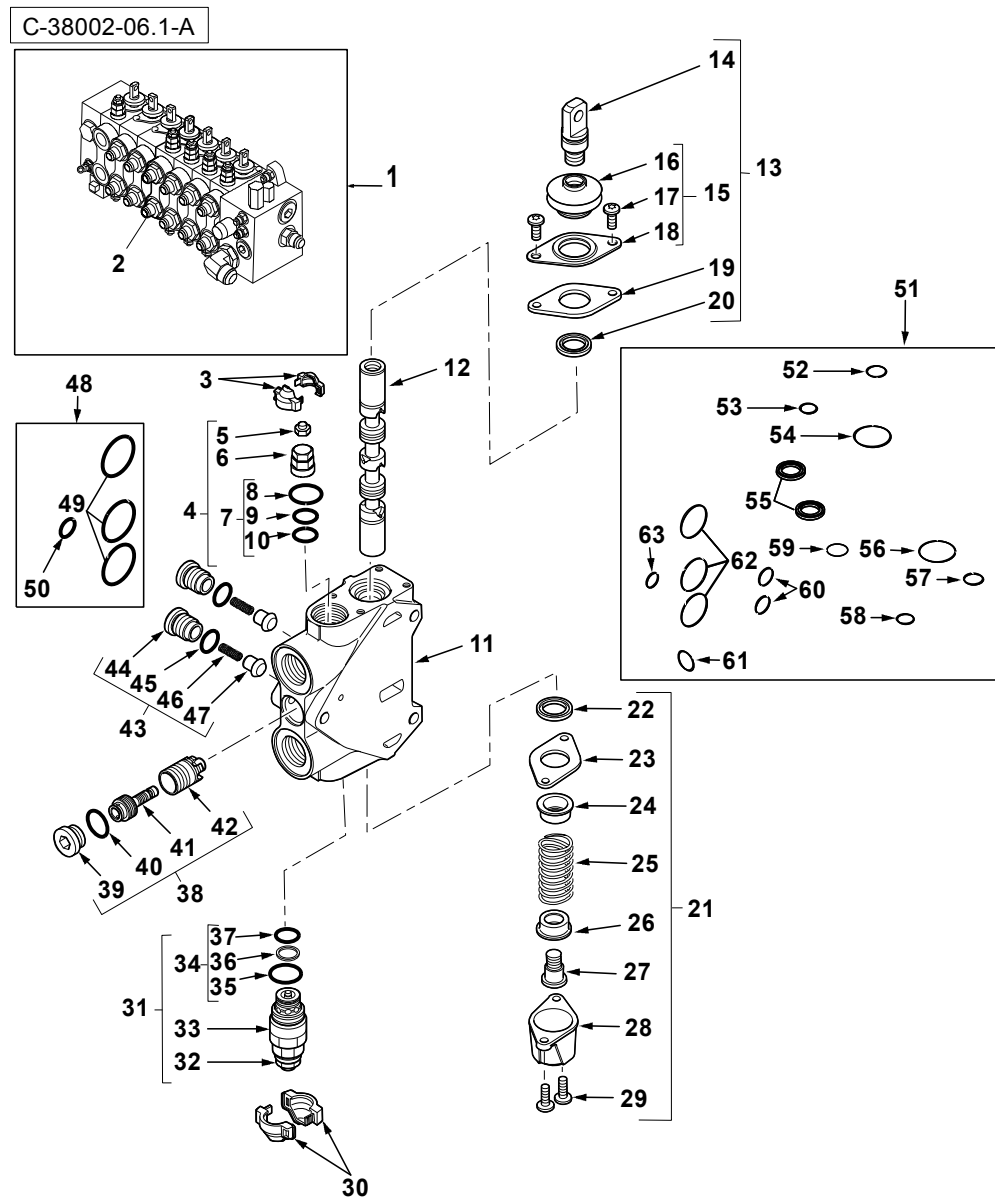
Item	Part No.	Qty.	English	French	German	Spanish	Remarks
1	6109457M91	1	Digger Valve - 7 Spool Mech C/M	Ensemble Distribution	Steuerventilblock Kpl.	Distribuidor, Conj.	Continued
2	#VALVE ASSY	1	Valve Assy	Valve Assy	Valve Assy	Valve Assy	
3	#COVER	0	Cover	Cover	Cover	Cover	Ref. 2
4	6193805M91	1	Pressure Relief Valve H 280 Bar	Valve Decharge	Druckbegrventil	Válvula De Seguridad	
5	#NUT	1	Nut	Ecrou	Mutter	Tuerca	Ref. 4
6	#VALVE	1	Valve	Soupape	Ventil	Válvula	Ref. 4
7	6193779M91	1	Seal Kit - Relief Valve	Jeu Étanchéité	Dichtringsatz	Juego De Juntas	
8	#O-RING	1	O-Ring	Joint Torique	O-Ring	Junta Tórica	Ref. 7
9	#O-RING	1	O-Ring	Joint Torique	O-Ring	Junta Tórica	Ref. 7
10	#O-RING	1	O-Ring	Joint Torique	O-Ring	Junta Tórica	Ref. 7
11	#BODY	1	Body	Body	Body	Body	Ref. 2
12	#SPOOL	1	Spool	Spool	Spool	Spool	Ref. 2
13	6193780M91	1	Kit - Mechanical Optd Z1	Lot De Pièces	Ersatzteilpaket	Juego De Piezas	
14	#SCREW	1	Screw	Vis	Schraube	Tornillo	Ref. 13
15	6193783M91	1	Bellows Kit	Lot De Pieces	Dichtung	Juego De Piezas	
16	#SEAL	1	Seal	Joint Étanchéité	Dichtring	Retén	Ref. 15
17	#SCREW	1	Screw	Vis	Schraube	Tornillo	Ref. 15
18	#COVER	2	Cover	Cover	Cover	Cover	Ref. 15
19	#PLATE	1	Plate	Plaque	Platte	Plato	Ref. 13
20	6194492M1	1	Lip Seal - Rexorth Ref: 8100160	Joint Étanchéité	Dichtring	Junta	
21	6193784M91	1	Mechanical Optd Kit	Lot De Pièces	Ersatzteilpaket	Juego De Piezas	
22	6194492M1	1	Lip Seal - Rexorth Ref: 8100160	Joint Étanchéité	Dichtring	Junta	
23	#PLATE	1	Plate	Plaque	Platte	Plato	Ref. 21
24	#HOLDER	1	Holder	Holder	Holder	Holder	Ref. 21
25	#SPRING	1	Spring	Ressort	Feder	Muelle	Ref. 21
26	#HOLDER	1	Holder	Holder	Holder	Holder	Ref. 21
27	#SCREW	1	Screw	Vis	Schraube	Tornillo	Ref. 21
28	#CAP	1	Cap	Chapeau	Kappe	Tapa	Ref. 21
29	#SCREW	2	Screw	Vis	Schraube	Tornillo	Ref. 21
30	#COVER	0	Cover	Cover	Cover	Cover	Ref. 21





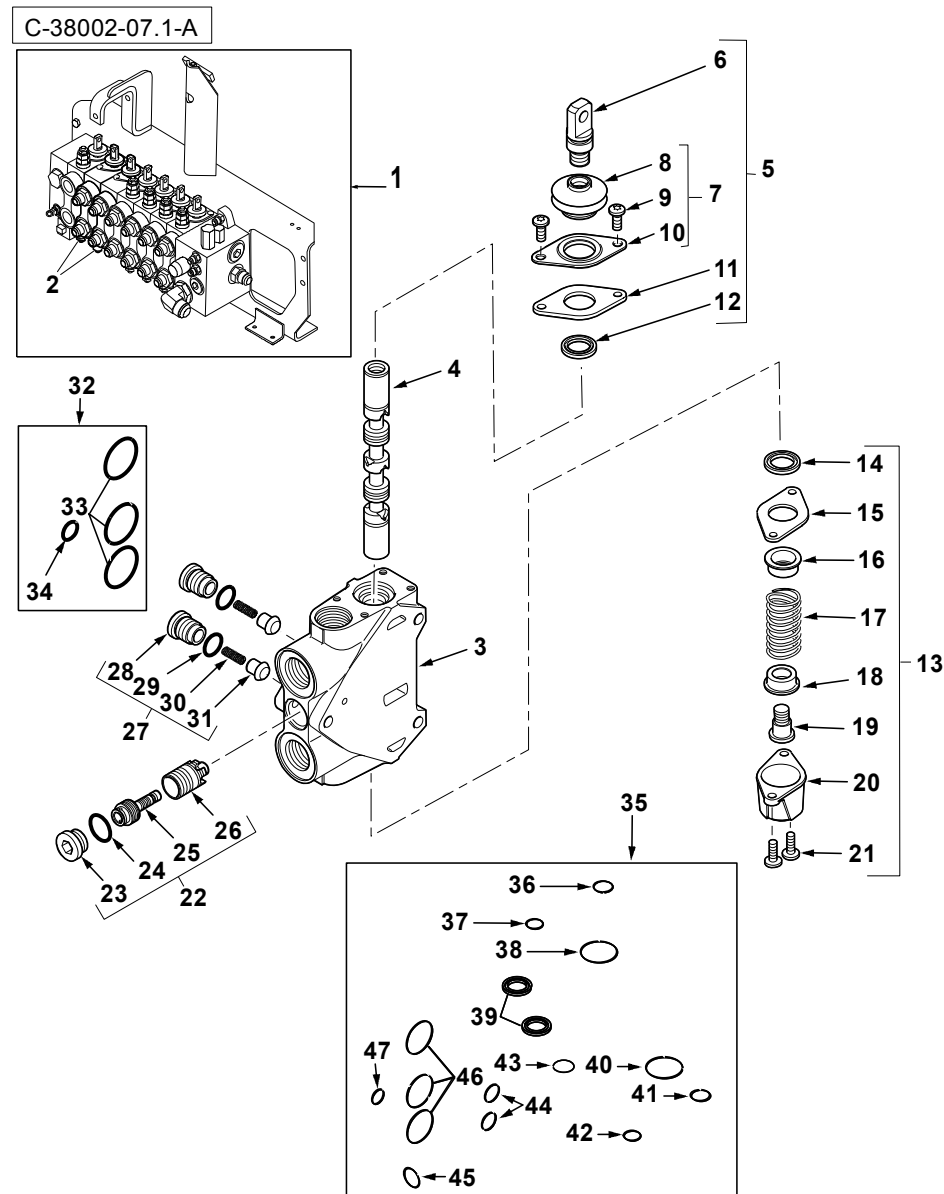
Item	Part No.	Qty.	English	French	German	Spanish	Remarks
31	6193805M91	1	Pressure Relief Valve H 280 Bar	Valve Decharge	Druckbegrentil	Válvula De Seguridad	
32	#NUT	1	Nut	Ecrou	Mutter	Tuerca	Ref. 31
33	#VALVE	1	Valve	Soupape	Ventil	Válvula	Ref. 31
34	6193779M91	1	Seal Kit - Relief Valve	Jeu Étanchéité	Dichtringsatz	Juego De Juntas	
35	#O-RING	1	O-Ring	Joint Torique	O-Ring	Junta Tórica	Ref. 34
36	#O-RING	1	O-Ring	Joint Torique	O-Ring	Junta Tórica	Ref. 34
37	#O-RING	1	O-Ring	Joint Torique	O-Ring	Junta Tórica	Ref. 34
38	6193774M91	1	Kit - Compensator	Ensemble De Soupape	Ventil Kpl.	Válvula, Conj.	
39	#PLUG	1	Plug	Plug	Plug	Plug	Ref. 38
40	#O-RING	1	O-Ring	Joint Torique	O-Ring	Junta Tórica	Ref. 38
41	#VALVE	1	Valve	Soupape	Ventil	Válvula	Ref. 38
42	#BODY	1	Body	Body	Body	Body	Ref. 38
43	6193775M91	2	Check Valve Kit	Clapet Anti-Retour	Rückschlagventil	Válvula De Parada	
44	#PLUG	1	Plug	Plug	Plug	Plug	Ref. 43
45	#O-RING	1	O-Ring	Joint Torique	O-Ring	Junta Tórica	Ref. 43
46	#SPRING	1	Spring	Ressort	Feder	Muelle	Ref. 43
47	#VALVE	1	Valve	Soupape	Ventil	Válvula	Ref. 43
48	6193771M91	1	Seal Interface Kit	Pochette De Joints	Dichtsatz	Juego De Juntas	
49	#O-RING	3	O-Ring	Joint Torique	O-Ring	Junta Tórica	Ref. 48
50	#O-RING	1	O-Ring	Joint Torique	O-Ring	Junta Tórica	Ref. 48
51	6193781M91	0	Seal Kit Complete	Jeu Etancheite	Dichtringsatz	Juege De Juntas	
52	#O-RING	1	O-Ring	Joint Torique	O-Ring	Junta Tórica	18.77 X 1.78 Ref. 51
53	#O-RING	1	O-Ring	Joint Torique	O-Ring	Junta Tórica	15.6 X 1.78 Ref. 51
54	#O-RING	1	O-Ring	Joint Torique	O-Ring	Junta Tórica	36.3 X 1.78 Ref. 51
55	6194492M1	2	Lip Seal - Rexorth Ref: 8100160	Joint Étanchéité	Dichtring	Junta	
56	#O-RING	1	O-Ring	Joint Torique	O-Ring	Junta Tórica	36.3 X 1.78 Ref. 51
57	#O-RING	1	O-Ring	Joint Torique	O-Ring	Junta Tórica	18.77 X 1.78 Ref. 51
58	#O-RING	1	O-Ring	Joint Torique	O-Ring	Junta Tórica	15.6 X 1.78 Ref. 51
59	#O-RING	1	O-Ring	Joint Torique	O-Ring	Junta Tórica	18 X 2.5 Ref. 51
60	#O-RING	2	O-Ring	Joint Torique	O-Ring	Junta Tórica	15 X 2 Ref. 51





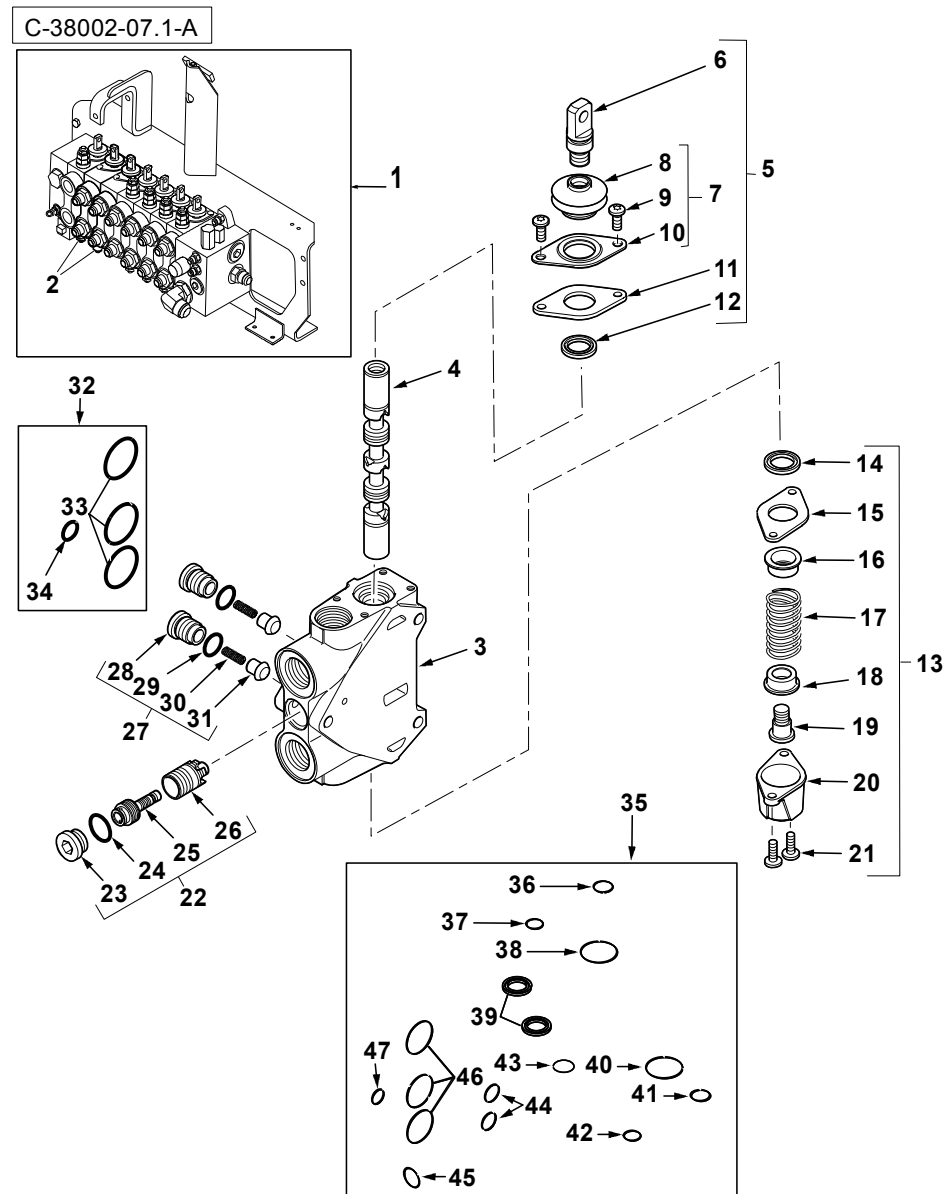
Item	Part No.	Qty.	English	French	German	Spanish	Remarks
61	#O-RING	1	O-Ring	Joint Torique	O-Ring	Junta Tórica	19.4 X 2.1 Ref. 51
62	#O-RING	3	O-Ring	Joint Torique	O-Ring	Junta Tórica	29.82 X 2.62 Ref. 51
63	#O-RING	1	O-Ring	Joint Torique	O-Ring	Junta Tórica	10.77 X 2.62 Ref. 51





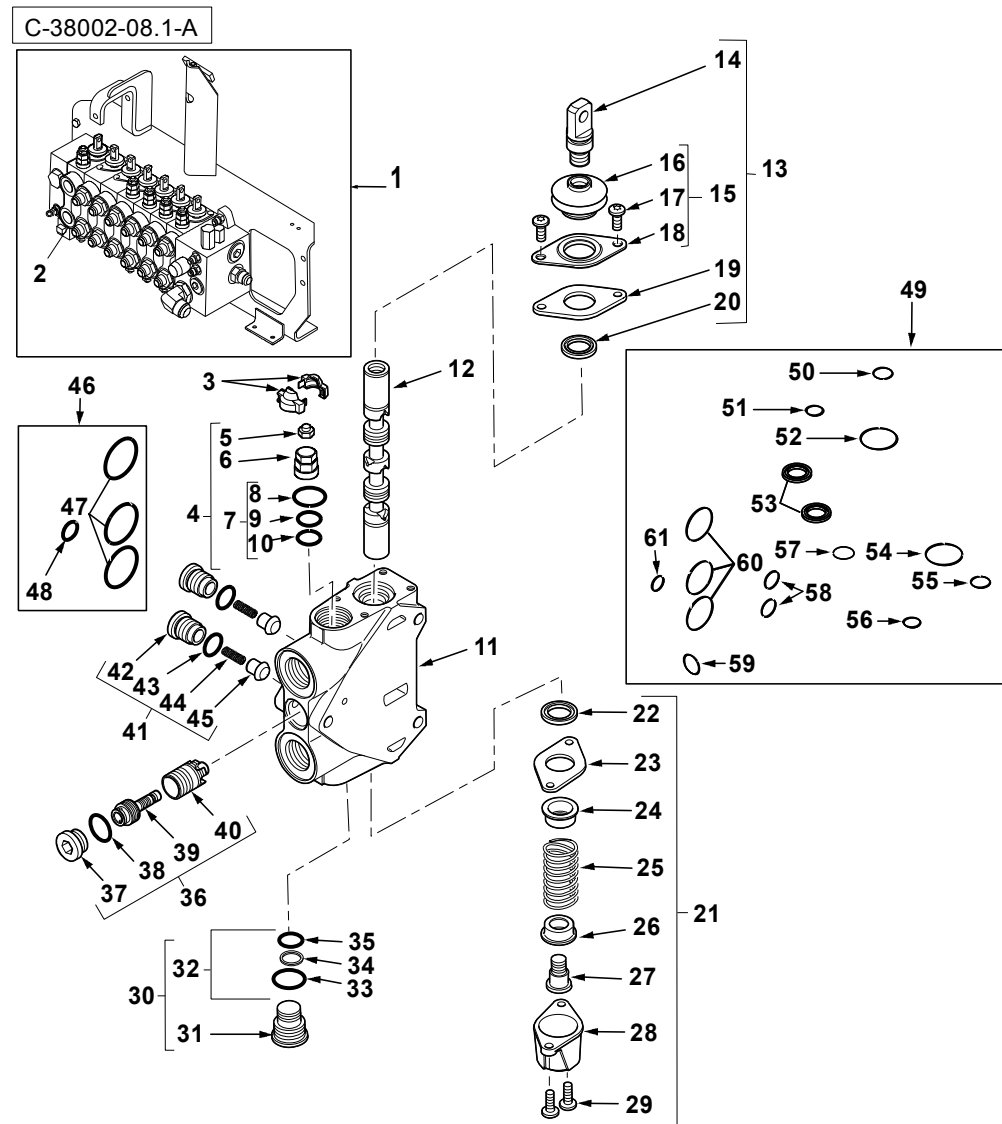
Item	Part No.	Qty.	English	French	German	Spanish	Remarks
1	6109457M91	1	Digger Valve - 7 Spool Mech C/M	Ensemble Distribution	Steuerventilblock Kpl.	Distribuidor, Conj.	Continued
2	#VALVE ASSY	2	Valve Assy	Valve Assy	Valve Assy	Valve Assy	
3	#BODY	1	Body	Body	Body	Body	Ref. 2
4	#SPOOL	1	Spool	Spool	Spool	Spool	Ref. 2
5	6193780M91	1	Kit - Mechanical Optd Z1	Lot De Pièces	Ersatzteilpaket	Juego De Piezas	
6	#SCREW	1	Screw	Vis	Schraube	Tornillo	Ref. 5
7	6193783M91	1	Bellows Kit	Lot De Pieces	Dichtung	Juego De Piezas	
8	#SEAL	1	Seal	Joint Étanchéité	Dichtring	Retén	Ref. 7
9	#SCREW	1	Screw	Vis	Schraube	Tornillo	Ref. 7
10	#COVER	2	Cover	Cover	Cover	Cover	Ref. 7
11	#PLATE	1	Plate	Plaque	Platte	Plato	Ref. 5
12	6194492M1	1	Lip Seal - Rexorth Ref: 8100160	Joint Étanchéité	Dichtring	Junta	
13	6193784M91	1	Mechanical Optd Kit	Lot De Pièces	Ersatzteilpaket	Juego De Piezas	
14	6194492M1	1	Lip Seal - Rexorth Ref: 8100160	Joint Étanchéité	Dichtring	Junta	
15	#PLATE	1	Plate	Plaque	Platte	Plato	Ref. 13
16	#HOLDER	1	Holder	Holder	Holder	Holder	Ref. 13
17	#SPRING	1	Spring	Ressort	Feder	Muelle	Ref. 13
18	#HOLDER	1	Holder	Holder	Holder	Holder	Ref. 13
19	#SCREW	1	Screw	Vis	Schraube	Tornillo	Ref. 13
20	#CAP	1	Cap	Chapeau	Kappe	Tapa	Ref. 13
21	#SCREW	2	Screw	Vis	Schraube	Tornillo	Ref. 13
22	6193774M91	1	Kit - Compensator	Ensemble De Soupape	Ventil Kpl.	Válvula, Conj.	
23	#PLUG	1	Plug	Plug	Plug	Plug	Ref. 22
24	#O-RING	1	O-Ring	Joint Torique	O-Ring	Junta Tórica	Ref. 22
25	#VALVE	1	Valve	Soupape	Ventil	Válvula	Ref. 22
26	#BODY	1	Body	Body	Body	Body	Ref. 22
27	6193775M91	2	Check Valve Kit	Clapet Anti-Retour	Rückschlagventil	Válvula De Parada	
28	#PLUG	1	Plug	Plug	Plug	Plug	Ref. 27
29	#O-RING	1	O-Ring	Joint Torique	O-Ring	Junta Tórica	Ref. 27
30	#SPRING	1	Spring	Ressort	Feder	Muelle	Ref. 27





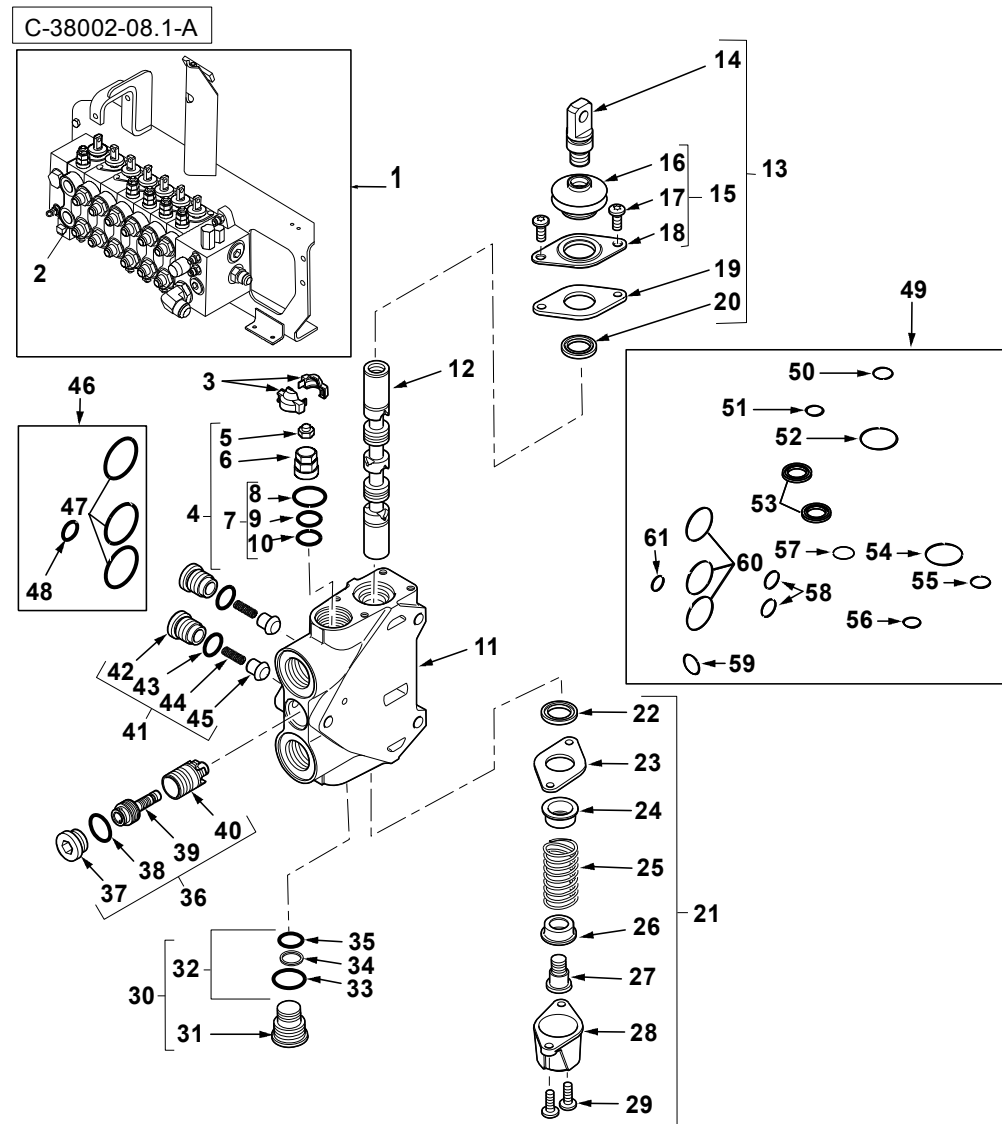
Item	Part No.	Qty.	English	French	German	Spanish	Remarks
31	#VALVE	1	Valve	Soupape	Ventil	Válvula	Ref. 27
32	6193771M91	1	Seal Interface Kit	Pochette De Joints	Dichtsatz	Juego De Juntas	
33	#O-RING	3	O-Ring	Joint Torique	O-Ring	Junta Tórica	Ref. 32
34	#O-RING	1	O-Ring	Joint Torique	O-Ring	Junta Tórica	Ref. 32
35	6193781M91	0	Seal Kit Complete	Jeu Etancheite	Dichtringsatz	Juege De Juntas	
36	#O-RING	1	O-Ring	Joint Torique	O-Ring	Junta Tórica	18.77 X 1.78 Ref. 35
37	#O-RING	1	O-Ring	Joint Torique	O-Ring	Junta Tórica	15.6 X 1.78 Ref. 35
38	#O-RING	1	O-Ring	Joint Torique	O-Ring	Junta Tórica	36.3 X 1.78 Ref. 35
39	6194492M1	2	Lip Seal - Rexorth Ref: 8100160	Joint Étanchéité	Dichtring	Junta	
40	#O-RING	1	O-Ring	Joint Torique	O-Ring	Junta Tórica	36.3 X 1.78 Ref. 35
41	#O-RING	1	O-Ring	Joint Torique	O-Ring	Junta Tórica	18.77 X 1.78 Ref. 35
42	#O-RING	1	O-Ring	Joint Torique	O-Ring	Junta Tórica	15.6 X 1.78 Ref. 35
43	#O-RING	1	O-Ring	Joint Torique	O-Ring	Junta Tórica	18 X 2.5 Ref. 35
44	#O-RING	2	O-Ring	Joint Torique	O-Ring	Junta Tórica	15 X 2 Ref. 35
45	#O-RING	1	O-Ring	Joint Torique	O-Ring	Junta Tórica	19.4 X 2.1 Ref. 35
46	#O-RING	3	O-Ring	Joint Torique	O-Ring	Junta Tórica	29.82 X 2.62 Ref. 35
47	#O-RING	1	O-Ring	Joint Torique	O-Ring	Junta Tórica	10.77 X 2.62 Ref. 35





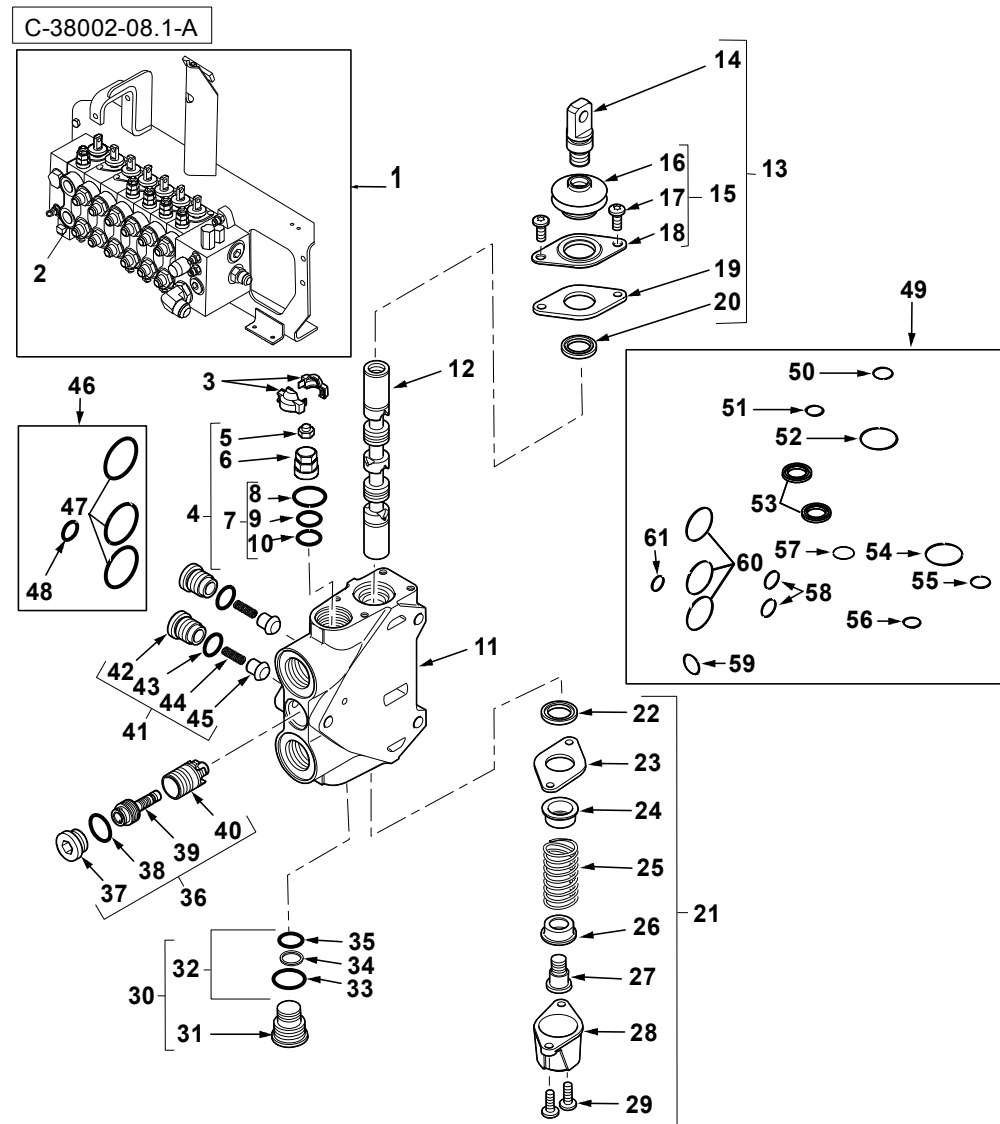
Item	Part No.	Qty.	English	French	German	Spanish	Remarks
1	6109457M91	1	Digger Valve - 7 Spool Mech C/M	Ensemble Distribution	Steuerventilblock Kpl.	Distribuidor, Conj.	Continued
2	#VALVE ASSY	1	Valve Assy	Valve Assy	Valve Assy	Valve Assy	
3	#COVER	0	Cover	Cover	Cover	Cover	Ref. 2
4	6193799M91	1	Pressure Relief Valve H (155 Bar)	Valve Decharge	Druckbegrventil	Válvula De Seguridad	
5	#NUT	1	Nut	Ecrou	Mutter	Tuerca	Ref. 4
6	#VALVE	1	Valve	Soupape	Ventil	Válvula	Ref. 4
7	6193779M91	1	Seal Kit - Relief Valve	Jeu Étanchéité	Dichtringsatz	Juego De Juntas	
8	#O-RING	1	O-Ring	Joint Torique	O-Ring	Junta Tórica	Ref. 7
9	#O-RING	1	O-Ring	Joint Torique	O-Ring	Junta Tórica	Ref. 7
10	#O-RING	1	O-Ring	Joint Torique	O-Ring	Junta Tórica	Ref. 7
11	#BODY	1	Body	Body	Body	Body	Ref. 2
12	#SPOOL	1	Spool	Spool	Spool	Spool	Ref. 2
13	6193780M91	1	Kit - Mechanical Optd Z1	Lot De Pièces	Ersatzteilpaket	Juego De Piezas	
14	#SCREW	1	Screw	Vis	Schraube	Tornillo	Ref. 13
15	6193783M91	1	Bellows Kit	Lot De Pieces	Dichtung	Juego De Piezas	
16	#SEAL	1	Seal	Joint Étanchéité	Dichtring	Retén	Ref. 15
17	#SCREW	1	Screw	Vis	Schraube	Tornillo	Ref. 15
18	#COVER	2	Cover	Cover	Cover	Cover	Ref. 15
19	#PLATE	1	Plate	Plaque	Platte	Plato	Ref. 13
20	6194492M1	1	Lip Seal - Rexorth Ref: 8100160	Joint Étanchéité	Dichtring	Junta	
21	6193784M91	1	Mechanical Optd Kit	Lot De Pièces	Ersatzteilpaket	Juego De Piezas	
22	6194492M1	1	Lip Seal - Rexorth Ref: 8100160	Joint Étanchéité	Dichtring	Junta	
23	#PLATE	1	Plate	Plaque	Platte	Plato	Ref. 21
24	#HOLDER	1	Holder	Holder	Holder	Holder	Ref. 21
25	#SPRING	1	Spring	Ressort	Feder	Muelle	Ref. 21
26	#HOLDER	1	Holder	Holder	Holder	Holder	Ref. 21
27	#SCREW	1	Screw	Vis	Schraube	Tornillo	Ref. 21
28	#CAP	1	Cap	Chapeau	Kappe	Tapa	Ref. 21
29	#SCREW	2	Screw	Vis	Schraube	Tornillo	Ref. 21
30	6193785M91	1	Plug Q - Port B	Bouchon	Stopfen	Tapón, Conj.	





Item	Part No.	Qty.	English	French	German	Spanish	Remarks
31	#PLUG	1	Plug	Plug	Plug	Plug	Ref. 30
32	6193779M91	1	Seal Kit - Relief Valve	Jeu Étanchéité	Dichtringsatz	Juego De Juntas	
33	#O-RING	1	O-Ring	Joint Torique	O-Ring	Junta Tórica	Ref. 32
34	#O-RING	1	O-Ring	Joint Torique	O-Ring	Junta Tórica	Ref. 32
35	#O-RING	1	O-Ring	Joint Torique	O-Ring	Junta Tórica	Ref. 32
36	6193792M91	1	Compensator Kit	Ensemble De Soupape	Ventil Kpl.	Válvula, Conj.	
37	#PLUG	1	Plug	Plug	Plug	Plug	Ref. 36
38	#O-RING	1	O-Ring	Joint Torique	O-Ring	Junta Tórica	Ref. 36
39	#VALVE	1	Valve	Soupape	Ventil	Válvula	Ref. 36
40	#BODY	1	Body	Body	Body	Body	Ref. 36
41	6193775M91	2	Check Valve Kit	Clapet Anti-Retour	Rückschlagventil	Válvula De Parada	
42	#PLUG	1	Plug	Plug	Plug	Plug	Ref. 41
43	#O-RING	1	O-Ring	Joint Torique	O-Ring	Junta Tórica	Ref. 41
44	#SPRING	1	Spring	Ressort	Feder	Muelle	Ref. 41
45	#VALVE	1	Valve	Soupape	Ventil	Válvula	Ref. 41
46	6193771M91	1	Seal Interface Kit	Pochette De Joints	Dichtsatz	Juego De Juntas	
47	#O-RING	3	O-Ring	Joint Torique	O-Ring	Junta Tórica	Ref. 46
48	#O-RING	1	O-Ring	Joint Torique	O-Ring	Junta Tórica	Ref. 46
49	6193781M91	0	Seal Kit Complete	Jeu Etancheite	Dichtringsatz	Juege De Juntas	
50	#O-RING	1	O-Ring	Joint Torique	O-Ring	Junta Tórica	18.77 X 1.78 Ref. 49
51	#O-RING	1	O-Ring	Joint Torique	O-Ring	Junta Tórica	15.6 X 1.78 Ref. 49
52	#O-RING	1	O-Ring	Joint Torique	O-Ring	Junta Tórica	36.3 X 1.78 Ref. 49
53	6194492M1	2	Lip Seal - Rexorth Ref: 8100160	Joint Étanchéité	Dichtring	Junta	
54	#O-RING	1	O-Ring	Joint Torique	O-Ring	Junta Tórica	36.3 X 1.78 Ref. 49
55	#O-RING	1	O-Ring	Joint Torique	O-Ring	Junta Tórica	18.77 X 1.78 Ref. 49
56	#O-RING	1	O-Ring	Joint Torique	O-Ring	Junta Tórica	15.6 X 1.78 Ref. 49
57	#O-RING	1	O-Ring	Joint Torique	O-Ring	Junta Tórica	18 X 2.5 Ref. 49
58	#O-RING	2	O-Ring	Joint Torique	O-Ring	Junta Tórica	15 X 2 Ref. 49
59	#O-RING	1	O-Ring	Joint Torique	O-Ring	Junta Tórica	19.4 X 2.1 Ref. 49
60	#O-RING	3	O-Ring	Joint Torique	O-Ring	Junta Tórica	29.82 X 2.62 Ref. 49

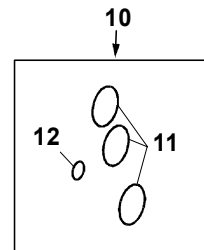
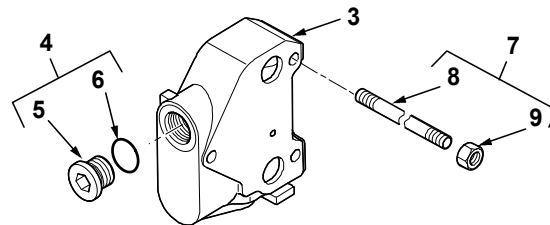
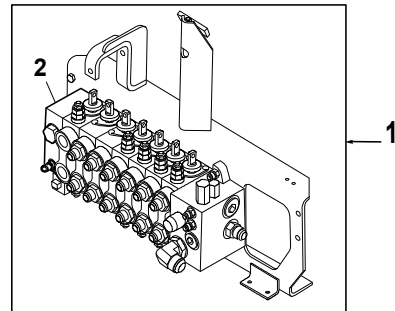




Item	Part No.	Qty.	English	French	German	Spanish	Remarks
61	#O-RING	1	O-Ring	Joint Torique	O-Ring	Junta Tórica	10.77 X 2.62 Ref. 49



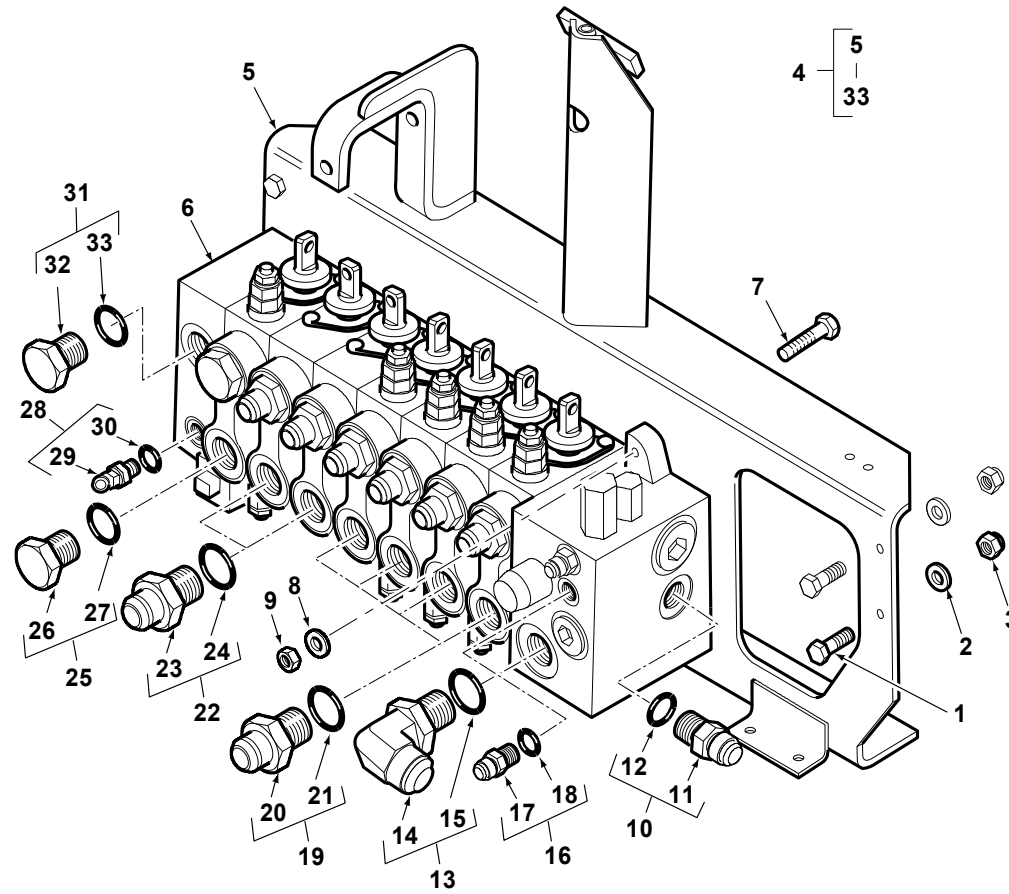
C-38002-09.1-A



Item	Part No.	Qty.	English	French	German	Spanish	Remarks
1	6109457M91	1	Digger Valve - 7 Spool Mech C/M	Ensemble Distribution	Steuerventilblock Kpl.	Distribuidor, Conj.	Continued
2	#VALVE ASSY	1	Valve Assy	Valve Assy	Valve Assy	Valve Assy	
3	#BODY	1	Body	Body	Body	Body	Ref. 2
4	6193773M91	1	Plug For P 1.1/16 Unf	Bouchon	Stopfen	Tapón, Conj.	
5	#PLUG	1	Plug	Plug	Plug	Plug	Ref. 4
6	#O-RING	1	O-Ring	Joint Torique	O-Ring	Junta Tórica	Ref. 4
7	#TIE ROD ASSY	3	Rod Assy	Rod Assy	Rod Assy	Rod Assy	
8	#ROD	1	Rod	Rod	Rod	Rod	Ref. 7
9	#NUT	1	Nut	Ecrou	Mutter	Tuerca	Ref. 7
10	6193771M91	0	Seal Interface Kit	Pochette De Joints	Dichtsatz	Juego De Juntas	
11	#O-RING	3	O-Ring	Joint Torique	O-Ring	Junta Tórica	Ref. 10
12	#O-RING	1	O-Ring	Joint Torique	O-Ring	Junta Tórica	Ref. 10



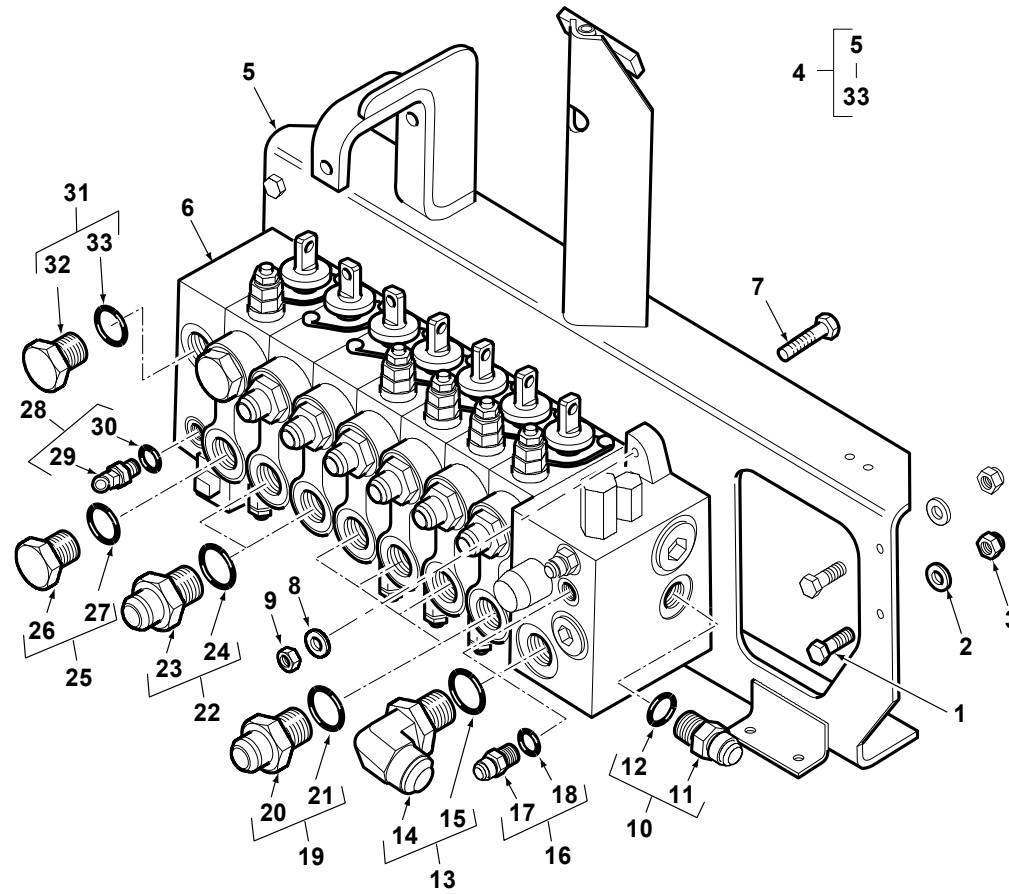
C-38003-01.1-A



Item	Part No.	Qty.	English	French	German	Spanish	Remarks
1	3009493X1	4	Bolt M10-30 Z5c	Boulon M10 X 30	Maschschraube M10	Perno	
2	385362X1	4	Washer, Hardened - M10	Rondelle - M10	Unterlegscheibe M10	Arandela	
3	1440329X1	4	Nut, Hex. - Nyloc, M10	Ecrou Blocage	Flachmutter M10	Tuerca De Retención	
4	6110435M91	1	Valve Assy - Digger Ss Rexroth	Distributeur	Ventil Kpl	Distribuidor, Conj.	
5	6109344M93	1	Bracket- Digger Valve W/Assy	Ensemble Chaise Pali	Bremsanlage	Cuchara, Conj.	
6	6109206M91	1	Valve-7sp Mech. Ss 08/401/331	Ensemble Distribution	Steuerventilblock Kpl.	Distribuidor, Conj.	
7	3009496X1	3	Bolt Hex - M10 X 45 (Coarse)	Boulon M10 X 45	Maschschraube - M10	Tornillo	
8	385362X1	3	Washer, Hardened - M10	Rondelle - M10	Unterlegscheibe M10	Arandela	
9	1440329X1	3	Nut, Hex. - Nyloc, M10	Ecrou Blocage	Flachmutter M10	Tuerca De Retención	
10	835057M91	1	Connector B1510m-12-12	Raccord	Schraubanschluss	Conexión, Conj.	
11	#UNION	1	Union	Union	Union	Union	Ref. 10
12	835025M1	1	Ring O	Joint Torique	O Ring	Junta De Tipo O	
13	358766X91	1	Elbow 90deg	Coude	Kniestück, 90	Codo, 90°	
14	#ELBOW	1	Elbow	Elbow	Elbow	Elbow	Ref. 13
15	835026M1	1	O-Ring	Joint Torique	O-Ring	Junta De Tipo O	
16	835091M91	2	Connector 9/16 Unf	Borne	Doppelnippel	Unión	
17	#UNION	1	Union	Union	Union	Union	Ref. 16
18	831452M1	1	O Ring (Pack Of 10)	Joint Torique	O Ring	Junta De Tipo O	
19	365715X91	8	Connector, Hydr.-Straight, 1 1/16 X 7/8	Borne	Doppelnippel	Conexión, Conj.	
20	#UNION	1	Union	Union	Union	Union	Ref. 19
21	835025M1	1	Ring O	Joint Torique	O Ring	Junta De Tipo O	
22	365713X91	4	Connector 1.1/16 - 3/4	Montage	Anschlverschrbg	Unión	
23	#UNION	1	Union	Union	Union	Union	Ref. 22
24	835025M1	1	Ring O	Joint Torique	O Ring	Junta De Tipo O	
25	835099M91	2	Plug 1.1/16	Bouchon	Stopfen	Tapón, Conj.	
26	#PLUG	1	Plug	Plug	Plug	Plug	Ref. 25
27	835025M1	1	Ring O	Joint Torique	O Ring	Junta De Tipo O	
28	358781X91	1	Elbow 45 Deg 4ws	Coude 135°	Winkelstuck 135°	Codo, 45°	
29	#ELBOW	1	Elbow	Elbow	Elbow	Elbow	Ref. 28
30	831452M1	1	O Ring (Pack Of 10)	Joint Torique	O Ring	Junta De Tipo O	



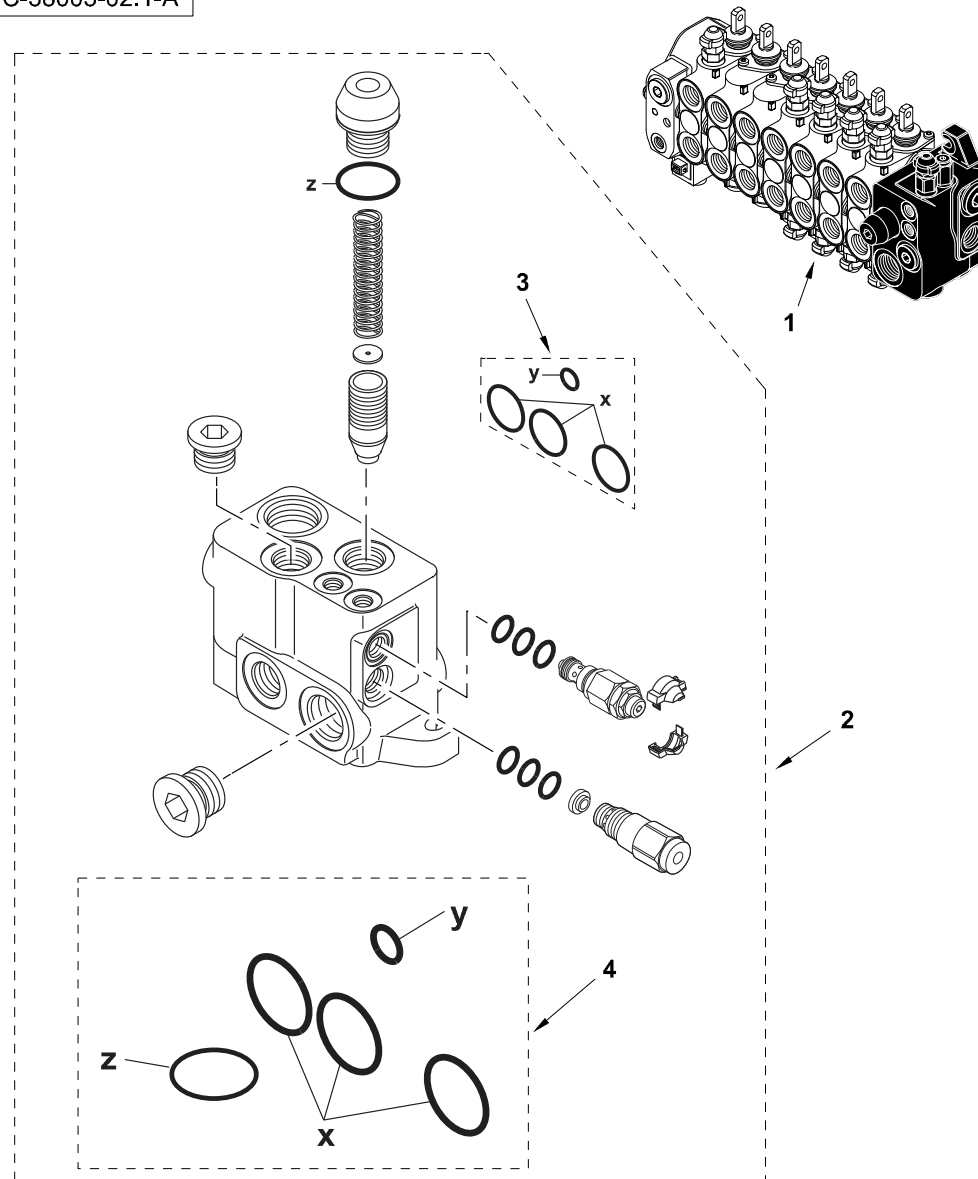
C-38003-01.1-A



Item	Part No.	Qty.	English	French	German	Spanish	Remarks
31	835099M91	1	Plug 1.1/16	Bouchon	Stopfen	Tapón, Conj.	
32	#PLUG	1	Plug	Plug	Plug	Plug	Ref. 31
33	835025M1	1	Ring O	Joint Torique	O Ring	Junta De Tipo O	



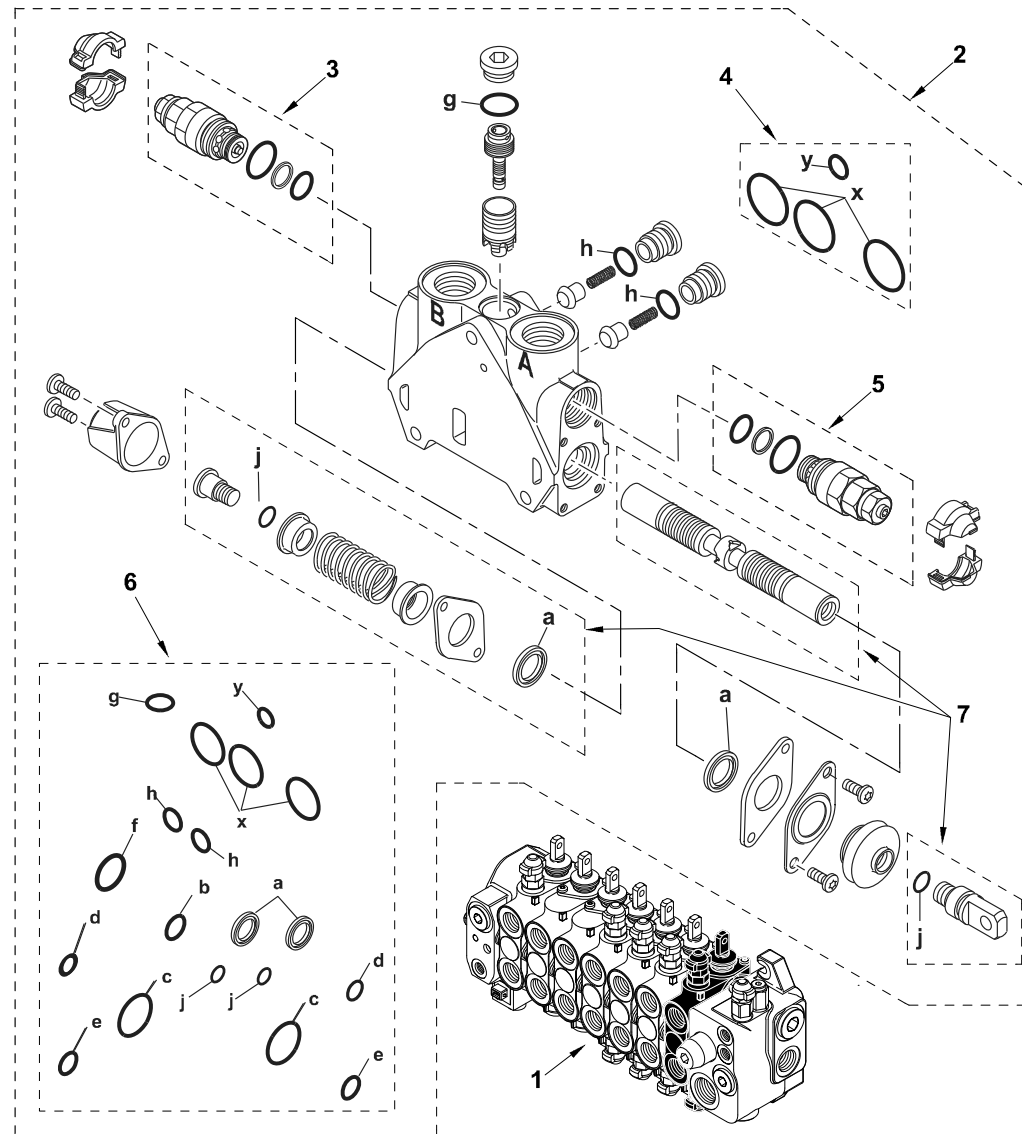
C-38003-02.1-A



Item	Part No.	Qty.	English	French	German	Spanish	Remarks
1	6109206M91	1	Valve-7sp Mech. Ss 08/401/331	Ensemble Distribution	Steuerventilblock Kpl.	Distribuidor, Conj.	
2	6194534M91	1	Element - Inlet	Element - Soupape	Element - Ventil	Elemento - Válvula	
3	6193771M91	1	Seal Interface Kit	Pochette De Joints	Dichsatz	Juego De Juntas	
4	6193789M91	1	Seal Kit - Inlet Element	Jeu Étanchéité	Dichtringsatz	Juego De Juntas	



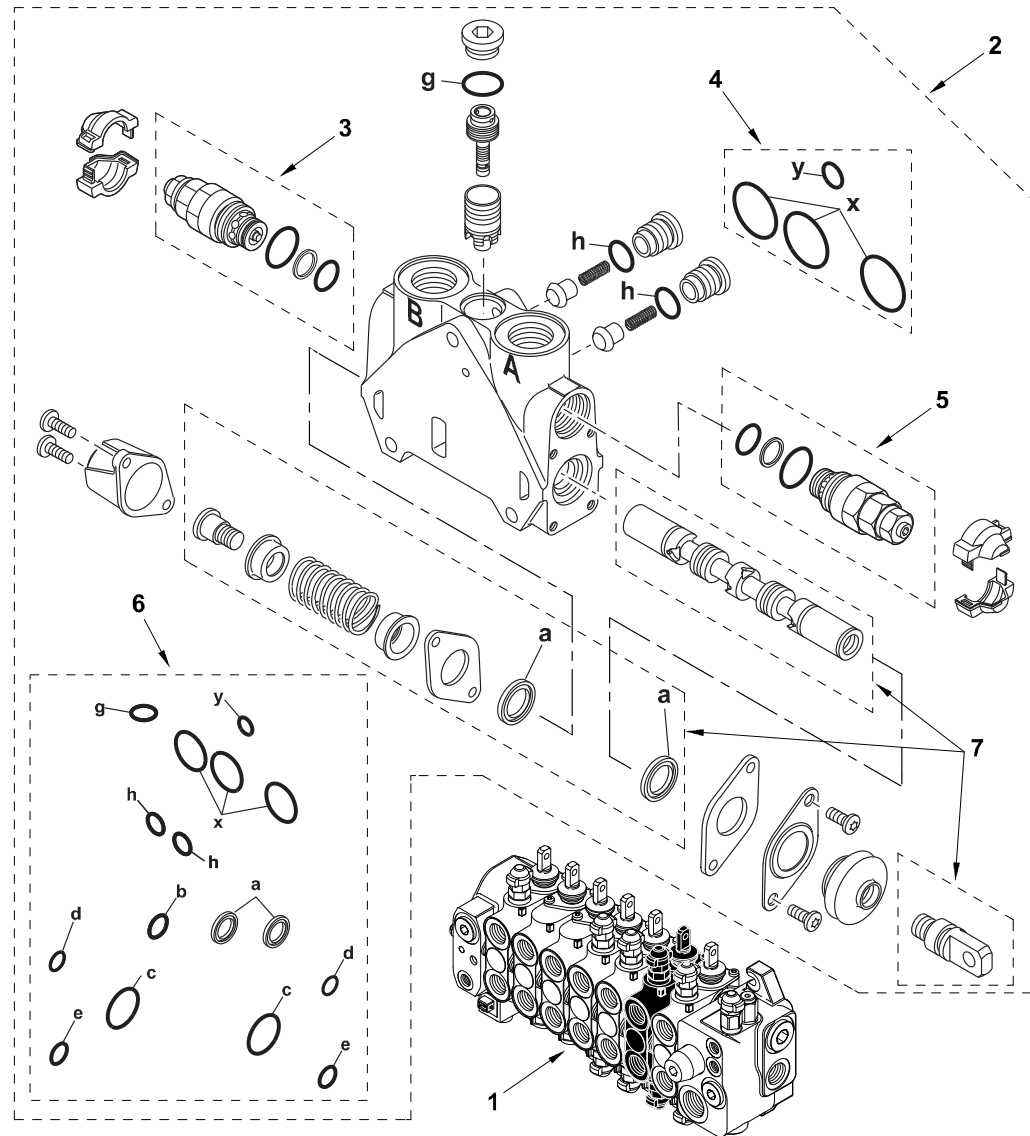
C-38003-03.1-B



Item	Part No.	Qty.	English	French	German	Spanish	Remarks
1	6109206M91	1	Valve-7sp Mech. Ss 08/401/331	Ensemble Distribution	Steuerventilblock Kpl.	Distribuidor, Conj.	
2	6194519M91	1	Element - Slew	Element - Soupape	Element - Ventil	Elemento - Válvula	
3	6193800M91	1	Pressure Relief Valve H 240 Bar	Valve Decharge	Druckbegrventil	Válvula De Seguridad	
4	6193771M91	1	Seal Interface Kit	Pochette De Joints	Dichsatz	Juego De Juntas	
5	6193800M91	1	Pressure Relief Valve H 240 Bar	Valve Decharge	Druckbegrventil	Válvula De Seguridad	
6	6193781M91	1	Seal Kit Complete	Jeu Etancheite	Dichtringsatz	Juege De Juntas	
7	6194829M91	1	Spool Kit (Slice - Slew)	Jeu Tiroir	Schieber Satz	Juego Carrete	

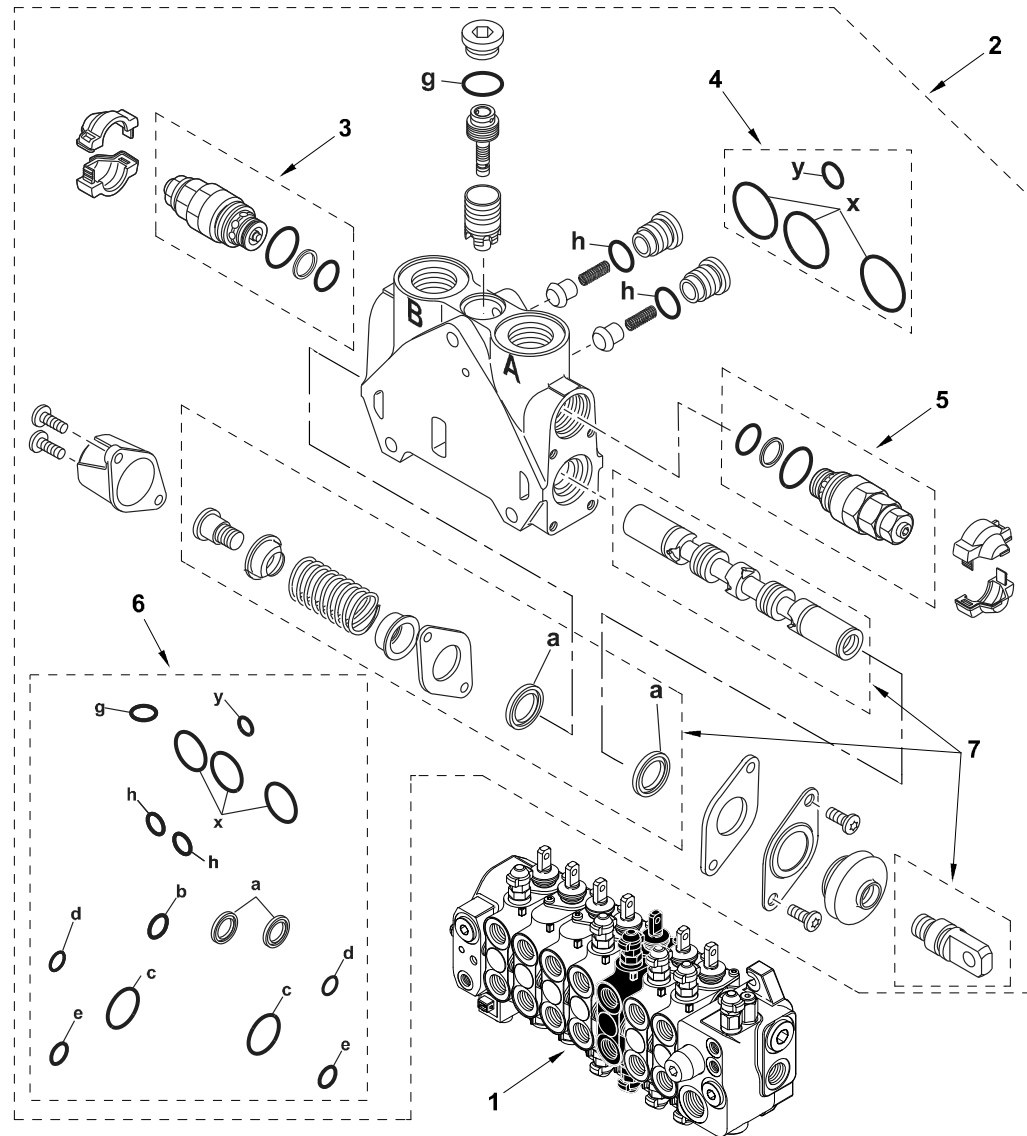


C-38003-04.1-B



Item	Part No.	Qty.	English	French	German	Spanish	Remarks
1	6109206M91	1	Valve-7sp Mech. Ss 08/401/331	Ensemble Distribution	Steuerventilblock Kpl.	Distribuidor, Conj.	
2	6194520M91	1	Element - Boom	Element - Soupape	Element - Ventil	Elemento - Válvula	
3	6193804M91	1	Pressure Relief Valve H (310 Bar)	Valve Decharge	Druckbegrventil	Válvula De Seguridad	
4	6193771M91	1	Seal Interface Kit	Pochette De Joints	Dichsatz	Juego De Juntas	
5	6193800M91	1	Pressure Relief Valve H 240 Bar	Valve Decharge	Druckbegrventil	Válvula De Seguridad	
6	6193781M91	1	Seal Kit Complete	Jeu Etancheite	Dichtringsatz	Juege De Juntas	
7	6194830M91	1	Spool Kit (Slice - Boom)	Jeu Tiroir	Schieber Satz	Juego Carrete	

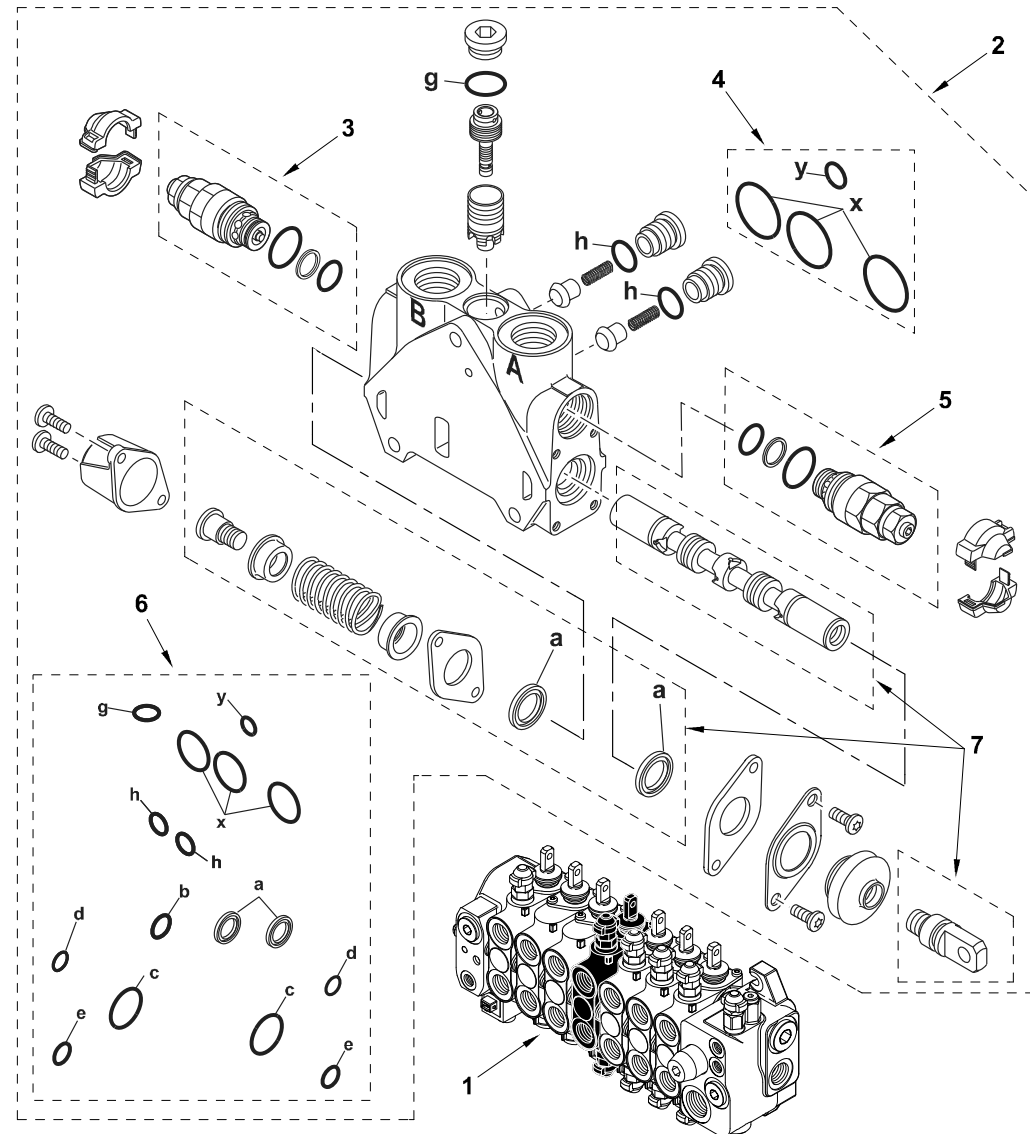
C-38003-05.1-B



Item	Part No.	Qty.	English	French	German	Spanish	Remarks
1	6109206M91	1	Valve-7sp Mech. Ss 08/401/331	Ensemble Distribution	Steuerventilblock Kpl.	Distribuidor, Conj.	
2	61934521M91	1	Element - Dipper	Element - Dipper	Element - Dipper	Element - Dipper	
3	6193802M91	1	Pressure Relief Valve H 265 Bar	Valve Decharge	Druckbegrventil	Válvula De Seguridad	
4	6193771M91	1	Seal Interface Kit	Pochette De Joints	Dichsatz	Juego De Juntas	
5	6193808M91	1	Pressure Relief Valve A 280 Bar	Valve Decharge	Druckbegrventil	Válvula De Seguridad	
6	6193781M91	1	Seal Kit Complete	Jeu Etancheite	Dichtringsatz	Juege De Juntas	
7	6194831M91	1	Spool Kit (Slice - Dipper)	Jeu Tiroir	Schieber Satz	Juego Carrete	

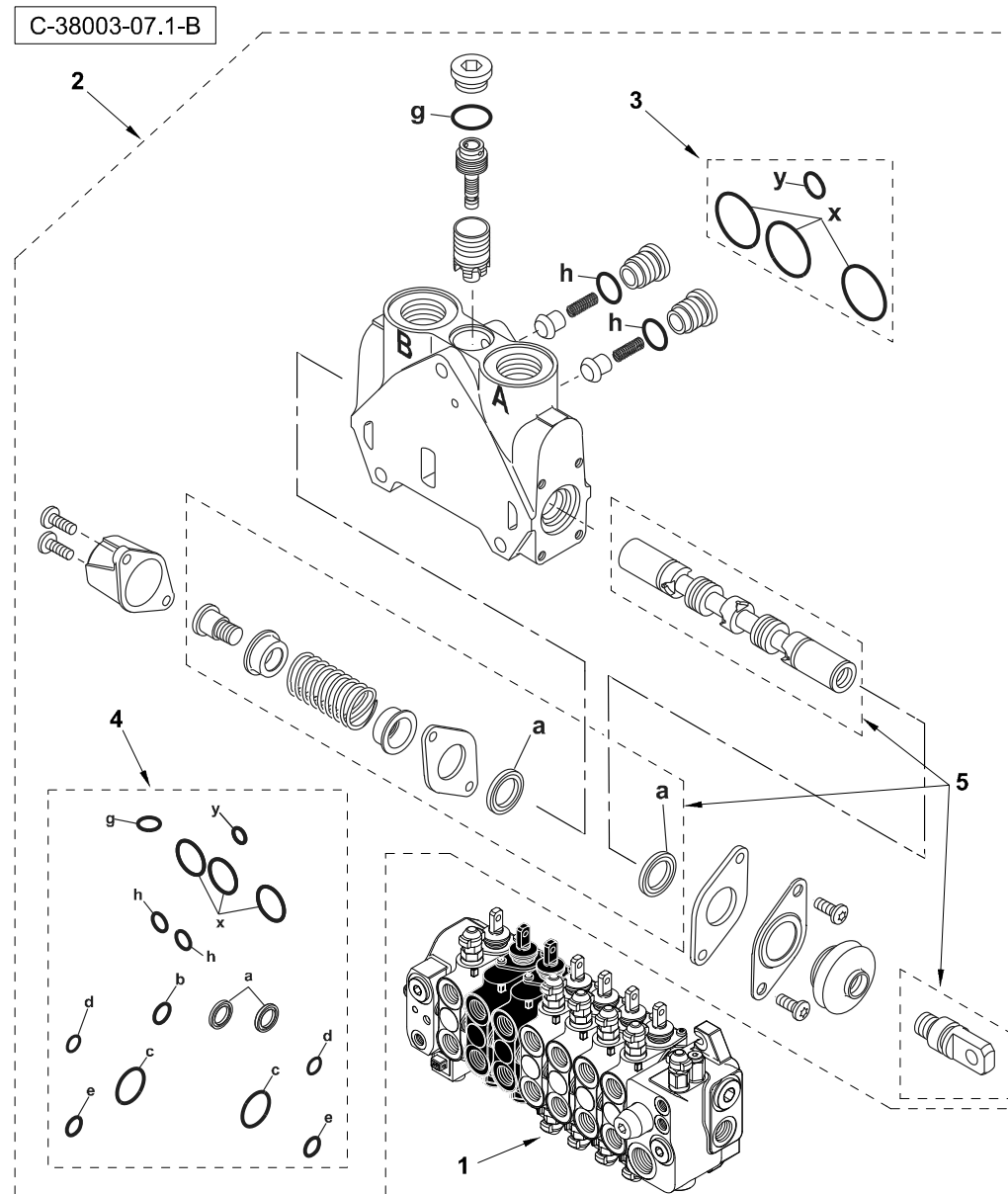


C-38003-06.1-B



Item	Part No.	Qty.	English	French	German	Spanish	Remarks
1	6109206M91	1	Valve-7sp Mech. Ss 08/401/331	Ensemble Distribution	Steuerventilblock Kpl.	Distribuidor, Conj.	
2	6194522M91	1	Element - Busket	Element - Soupape	Element - Ventil	Elemento - Válvula	
3	6193805M91	1	Pressure Relief Valve H 280 Bar	Valve Decharge	Druckbegrventil	Válvula De Seguridad	
4	6193771M91	1	Seal Interface Kit	Pochette De Joints	Dichsatz	Juego De Juntas	
5	6193805M91	1	Pressure Relief Valve H 280 Bar	Valve Decharge	Druckbegrventil	Válvula De Seguridad	
6	6193781M91	1	Seal Kit Complete	Jeu Etancheite	Dichtringsatz	Juege De Juntas	
7	6194832M91	1	Spool Kit (Slice - Digger Bucket)	Jeu Tiroir	Schieber Satz	Juego Carrete	

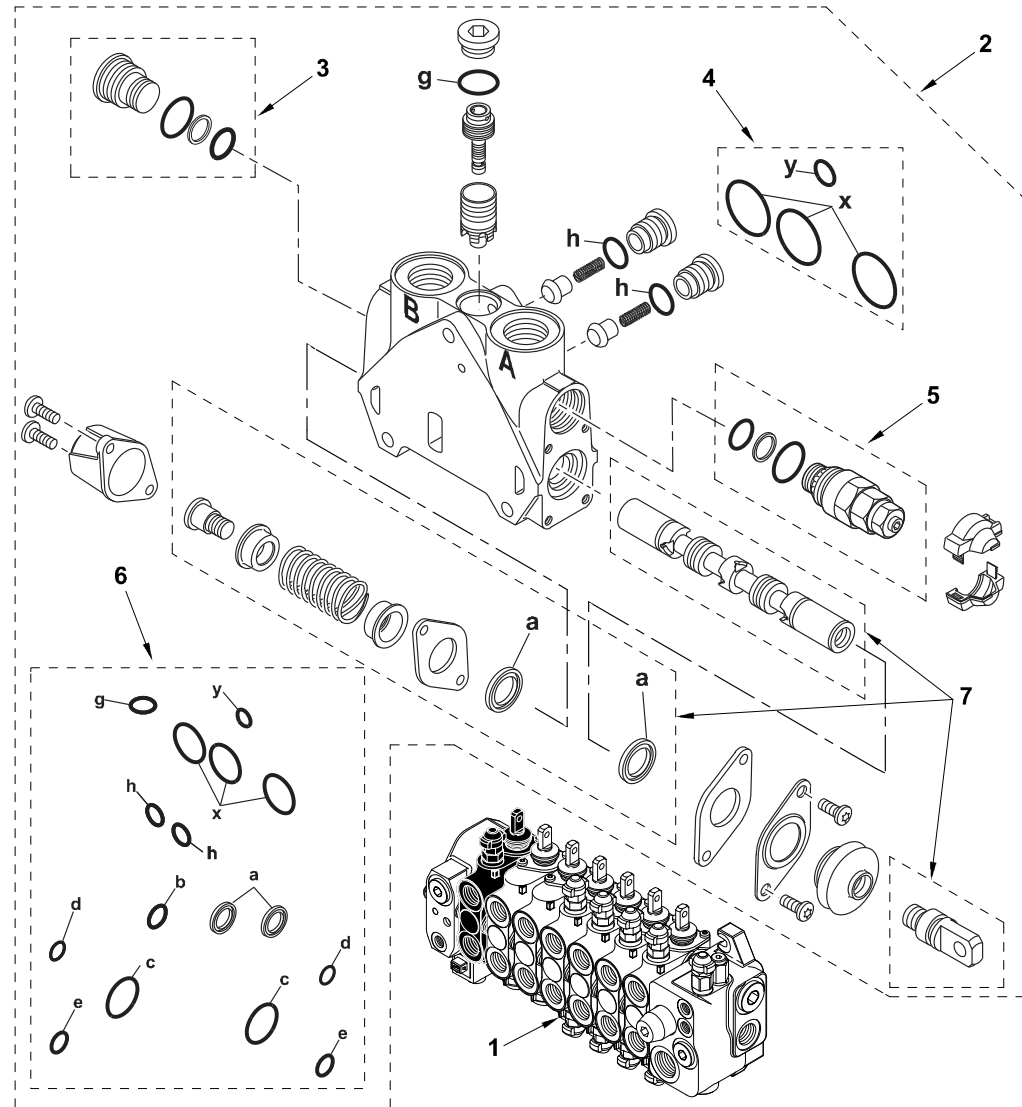




Item	Part No.	Qty.	English	French	German	Spanish	Remarks
1	6109206M91	1	Valve-7sp Mech. Ss 08/401/331	Ensemble Distribution	Steuerventilblock Kpl.	Distribuidor, Conj.	
2	6194523M91	1	Element - Stabiliser	Element - Soupape	Element - Ventil	Elemento - Válvula	
3	6193771M91	1	Seal Interface Kit	Pochette De Joints	Dichsatz	Juego De Juntas	
4	6193781M91	1	Seal Kit Complete	Jeu Etancheite	Dichtringsatz	Juege De Juntas	
5	6194833M91	1	Spool Kit (Slice - Stabiliser)	Jeu Tiroir	Schieber Satz	Juego Carrete	



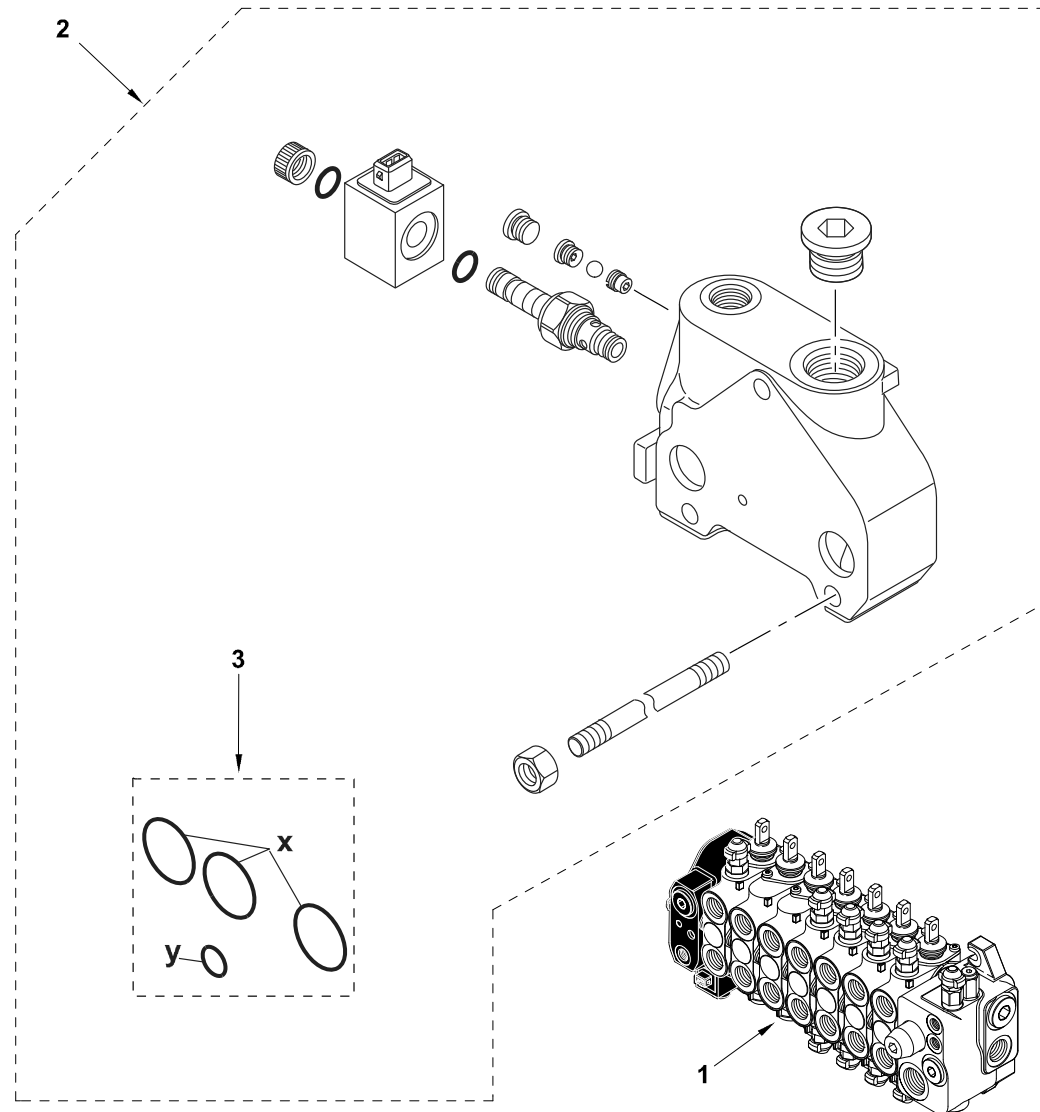
C-38003-08.1-B



Item	Part No.	Qty.	English	French	German	Spanish	Remarks
1	6109206M91	1	Valve-7sp Mech. Ss 08/401/331	Ensemble Distribution	Steuerventilblock Kpl.	Distribuidor, Conj.	
2	6194524M91	1	Element - Telescope	Element - Soupape	Element - Ventil	Elemento - Válvula	
3	6193785M91	1	Plug Q - Port B	Bouchon	Stopfen	Tapón, Conj.	
4	6193771M91	1	Seal Interface Kit	Pochette De Joints	Dichsatz	Juego De Juntas	
5	6193799M91	1	Pressure Relief Valve H (155 Bar)	Valve Decharge	Druckbegrventil	Válvula De Seguridad	
6	6193781M91	1	Seal Kit Complete	Jeu Etancheite	Dichtringsatz	Juege De Juntas	
7	6194834M91	1	Spool Kit (Slice - Extentible Dipper)	Jeu Tiroir	Schieber Satz	Juego Carrete	



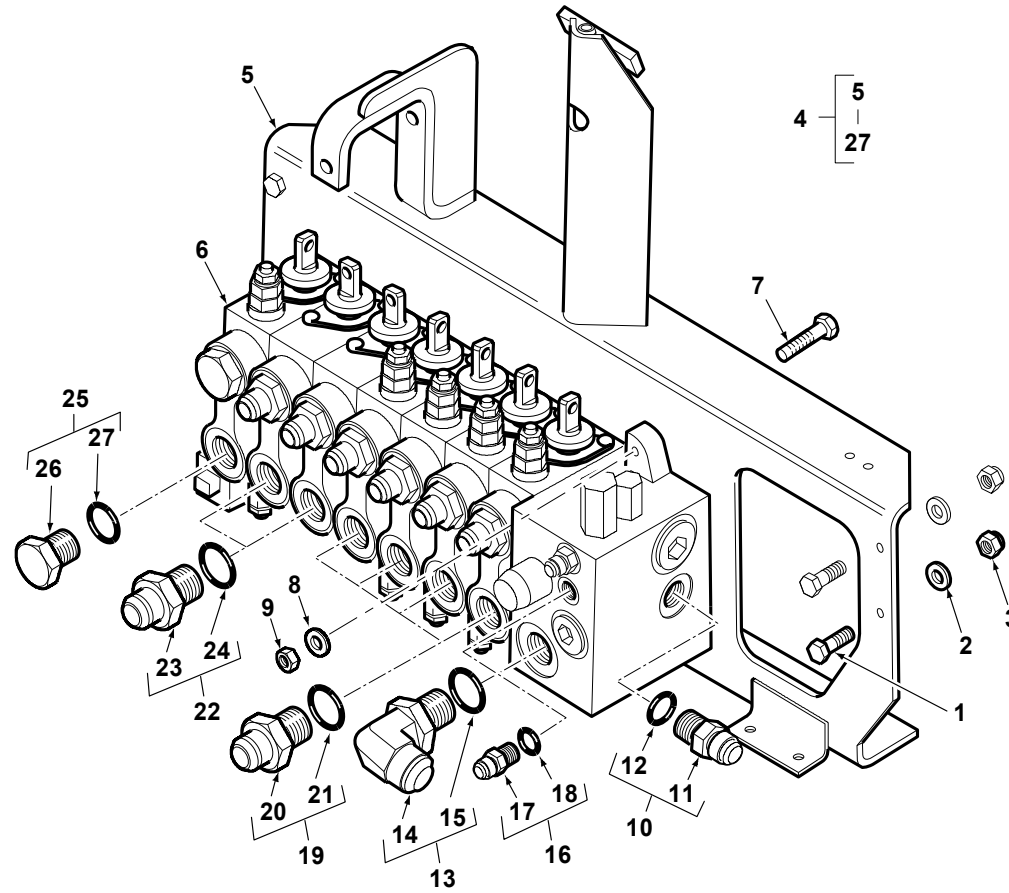
C-38003-09.1-A



Item	Part No.	Qty.	English	French	German	Spanish	Remarks
1	6109206M91	1	Valve-7sp Mech. Ss 08/401/331	Ensemble Distribution	Steuerventilblock Kpl.	Distribuidor, Conj.	
2	6194513M91	1	Element - Outlet	Element - Soupape	Element - Ventil	Elemento - Válvula	
3	6193771M91	1	Seal Interface Kit	Pochette De Joints	Dichsatz	Juego De Juntas	



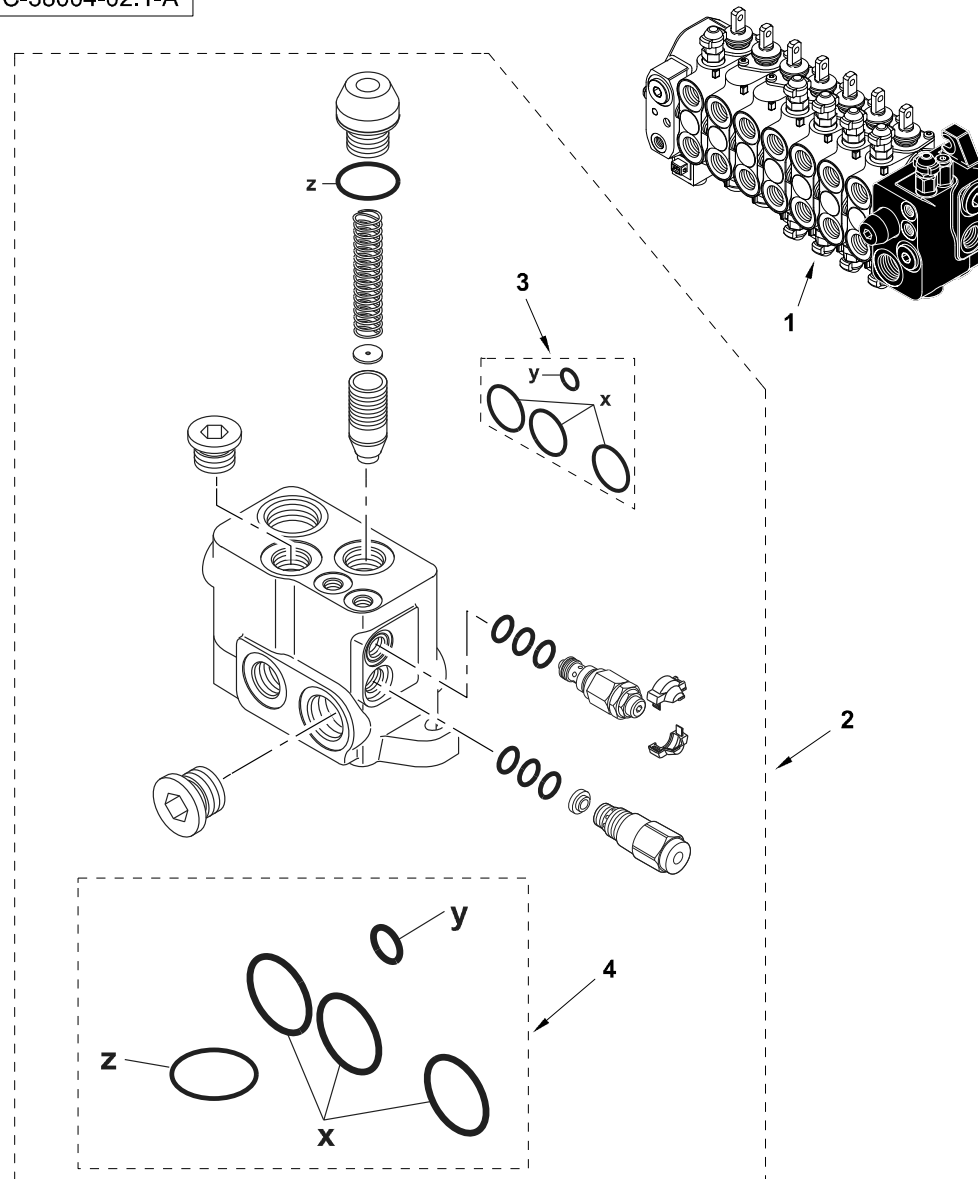
C-38004-01.1-A



Item	Part No.	Qty.	English	French	German	Spanish	Remarks
1	3009493X1	4	Bolt M10-30 Z5c	Boulon M10 X 30	Maschschraube M10	Perno	
2	385362X1	4	Washer, Hardened - M10	Rondelle - M10	Unterlegscheibe M10	Arandela	
3	1440329X1	4	Nut, Hex. - Nyloc, M10	Ecrou Blocage	Flachmutter M10	Tuerca De Retención	
4	6110436M91	1	Valve Assy - Digger Cm Rexroth	Distributeur	Ventil Kpl	Distribuidor, Conj.	
5	6109344M93	1	Bracket- Digger Valve W/Assy	Ensemble Chaise Pali	Bremsanlage	Cuchara, Conj.	
6	6109457M91	1	Digger Valve - 7 Spool Mech C/M	Ensemble Distribution	Steuerventilblock Kpl.	Distribuidor, Conj.	
7	3009496X1	3	Bolt Hex - M10 X 45 (Coarse)	Boulon M10 X 45	Maschschraube - M10	Tornillo	
8	385362X1	3	Washer, Hardened - M10	Rondelle - M10	Unterlegscheibe M10	Arandela	
9	1440329X1	3	Nut, Hex. - Nyloc, M10	Ecrou Blocage	Flachmutter M10	Tuerca De Retención	
10	835057M91	1	Connector B1510m-12-12	Raccord	Schraubanschluss	Conexión, Conj.	
11	#UNION	1	Union	Union	Union	Union	Ref. 10
12	835025M1	1	Ring O	Joint Torique	O Ring	Junta De Tipo O	
13	358766X91	1	Elbow 90deg	Coude	Kniestück, 90	Codo, 90°	
14	#ELBOW	1	Elbow	Elbow	Elbow	Elbow	Ref. 13
15	835026M1	1	O-Ring	Joint Torique	O-Ring	Junta De Tipo O	
16	835091M91	2	Connector 9/16 Unf	Borne	Doppelnippel	Unión	
17	#UNION	1	Union	Union	Union	Union	Ref. 16
18	831452M1	1	O Ring (Pack Of 10)	Joint Torique	O Ring	Junta De Tipo O	
19	365715X91	8	Connector, Hydr.-Straight, 1 1/16 X 7/8	Borne	Doppelnippel	Conexión, Conj.	
20	#UNION	1	Union	Union	Union	Union	Ref. 19
21	835025M1	1	Ring O	Joint Torique	O Ring	Junta De Tipo O	
22	365713X91	4	Connector 1.1/16 - 3/4	Montage	Anschlverschrbg	Unión	
23	#UNION	1	Union	Union	Union	Union	Ref. 22
24	835025M1	1	Ring O	Joint Torique	O Ring	Junta De Tipo O	
25	835099M91	2	Plug 1.1/16	Bouchon	Stopfen	Tapón, Conj.	
26	#PLUG	1	Plug	Plug	Plug	Plug	Ref. 25
27	835025M1	1	Ring O	Joint Torique	O Ring	Junta De Tipo O	



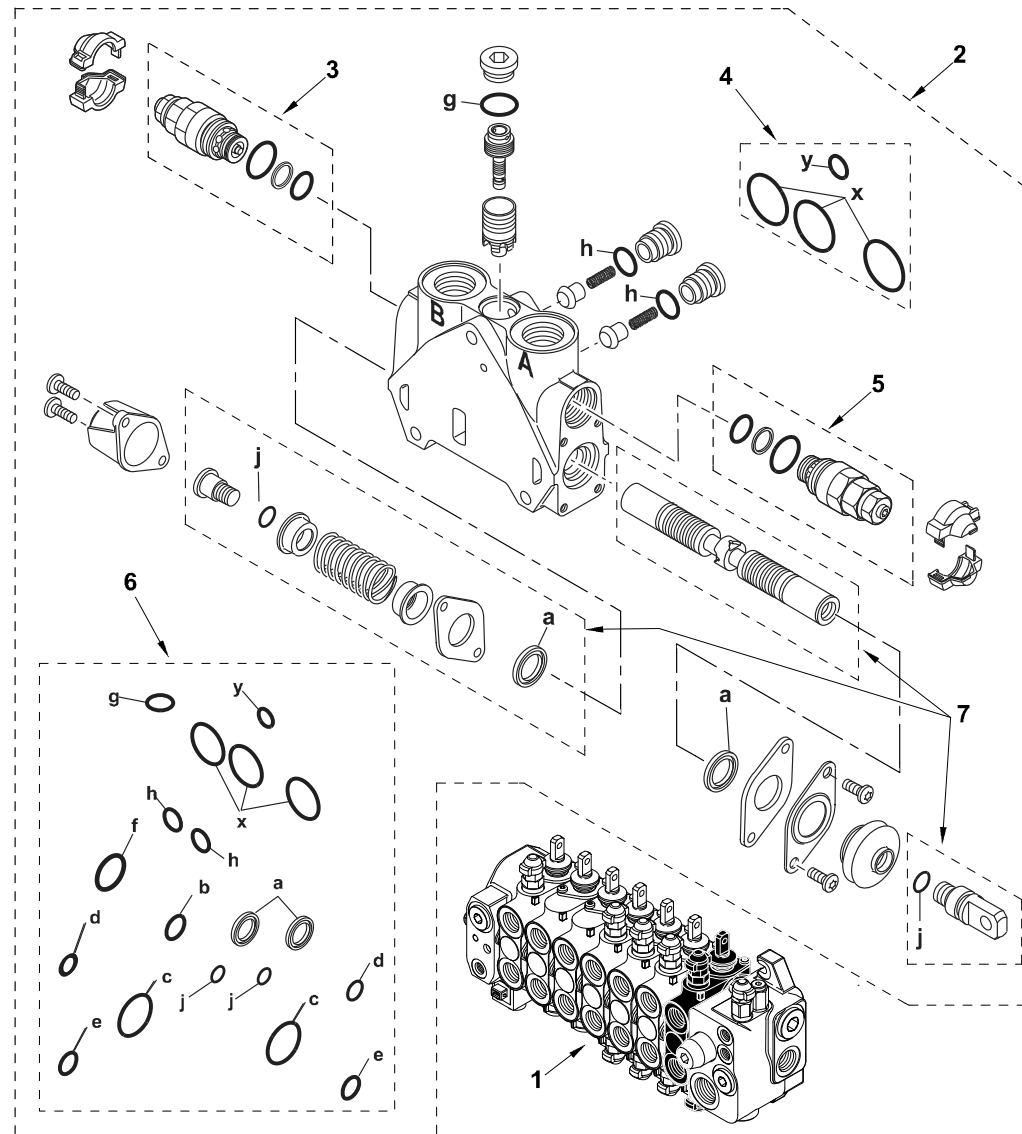
C-38004-02.1-A



Item	Part No.	Qty.	English	French	German	Spanish	Remarks
1	6109457M91	1	Digger Valve - 7 Spool Mech C/M	Ensemble Distribution	Steuerventilblock Kpl.	Distribuidor, Conj.	
2	6194534M91	1	Element - Inlet	Element - Soupape	Element - Ventil	Elemento - Válvula	
3	6193771M91	1	Seal Interface Kit	Pochette De Joints	Dichsatz	Juego De Juntas	
4	6193789M91	1	Seal Kit - Inlet Element	Jeu Étanchéité	Dichtringsatz	Juego De Juntas	



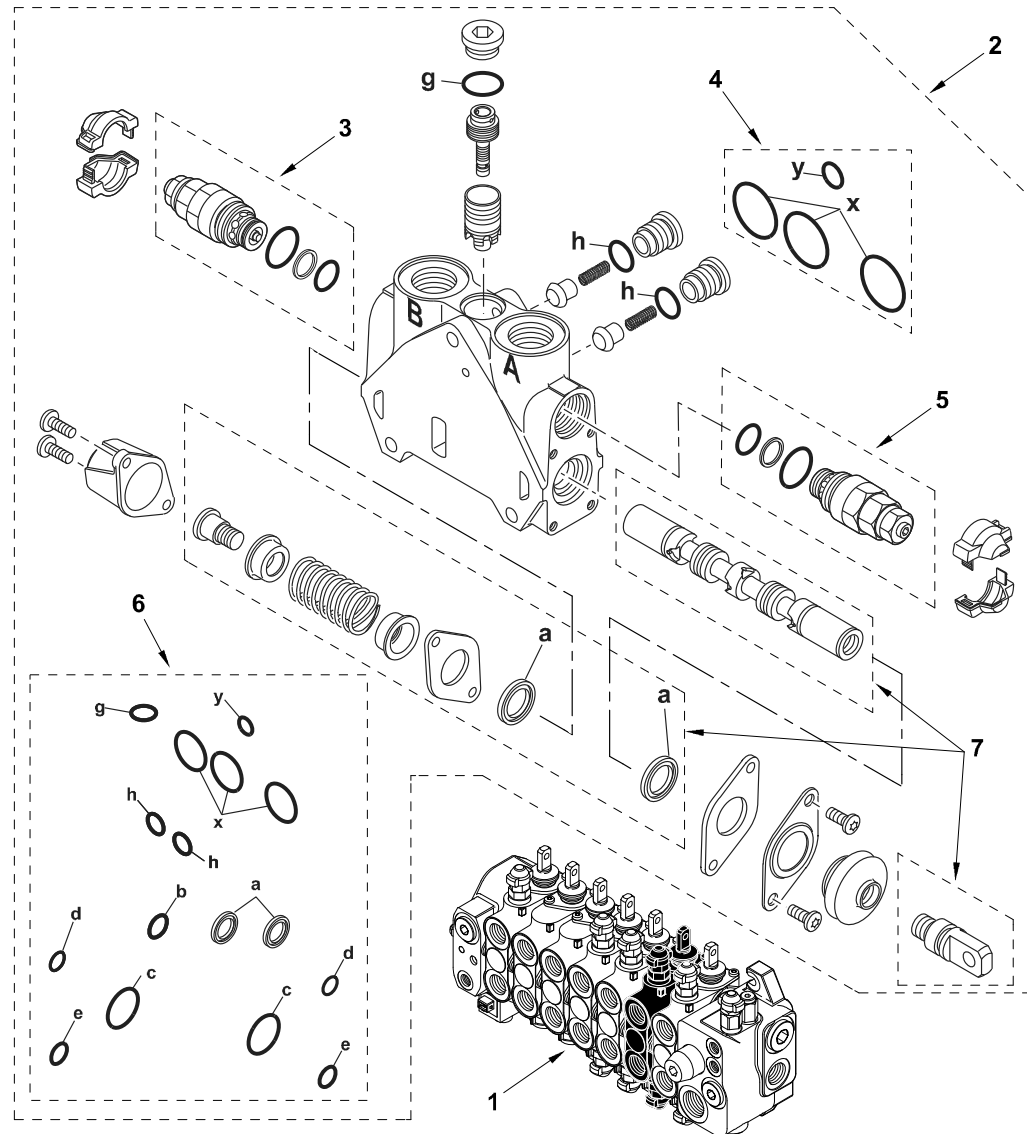
C-38004-03.1-B



Item	Part No.	Qty.	English	French	German	Spanish	Remarks
1	6109457M91	1	Digger Valve - 7 Spool Mech C/M	Ensemble Distribution	Steuerventilblock Kpl.	Distribuidor, Conj.	
2	6194519M91	1	Element - Slew	Element - Soupape	Element - Ventil	Elemento - Válvula	
3	6193800M91	1	Pressure Relief Valve H 240 Bar	Valve Decharge	Druckbegrventil	Válvula De Seguridad	
4	6193771M91	1	Seal Interface Kit	Pochette De Joints	Dichsatz	Juego De Juntas	
5	6193800M91	1	Pressure Relief Valve H 240 Bar	Valve Decharge	Druckbegrventil	Válvula De Seguridad	
6	6194518M91	1	Seal Kit	Jeu Etancheite	Dichtringsatz	Juego De Juntas	
7	6194829M91	1	Spool Kit (Slice - Slew)	Jeu Tiroir	Schieber Satz	Juego Carrete	



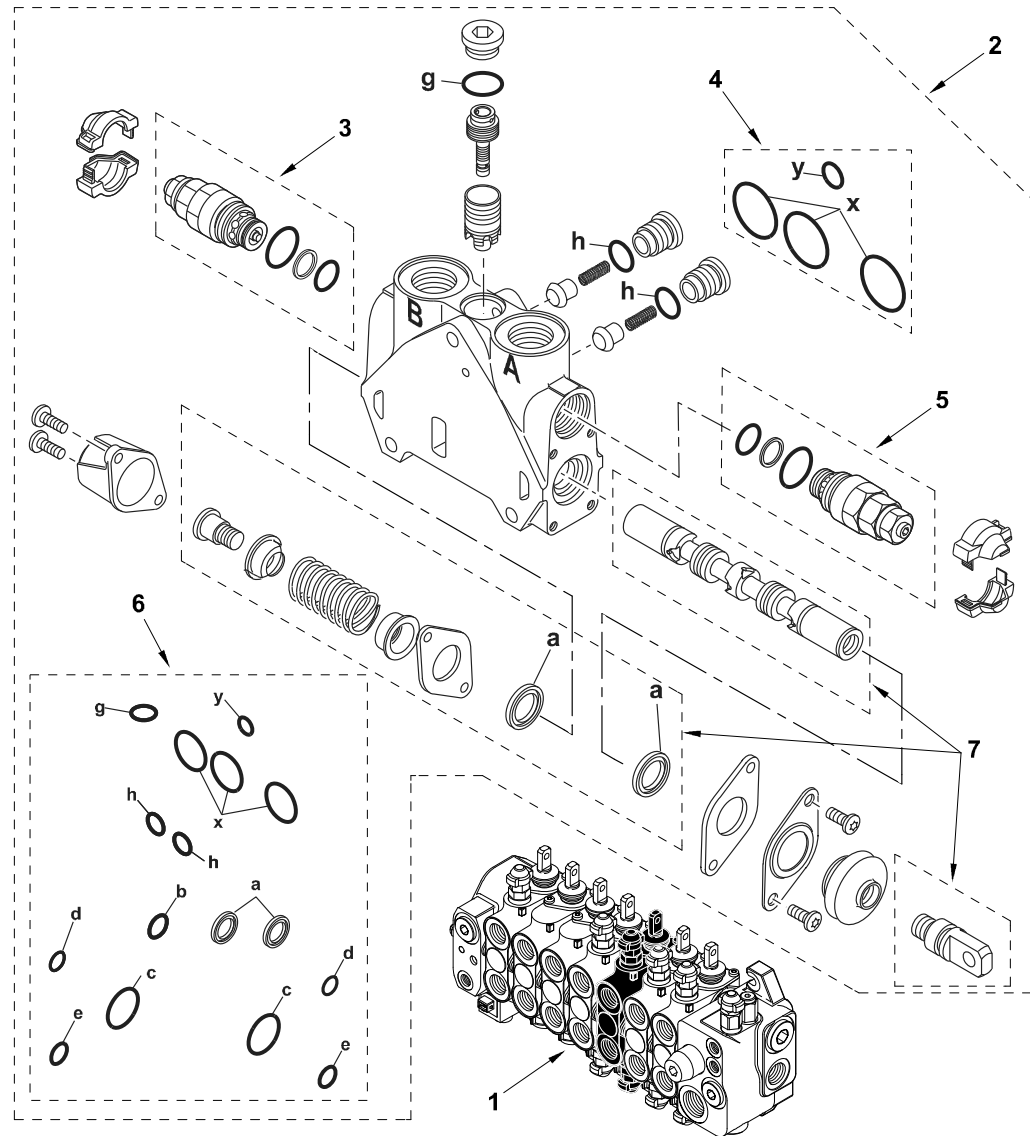
C-38004-04.1-B



Item	Part No.	Qty.	English	French	German	Spanish	Remarks
1	6109457M91	1	Digger Valve - 7 Spool Mech C/M	Ensemble Distribution	Steuerventilblock Kpl.	Distribuidor, Conj.	
2	6194520M91	1	Element - Boom	Element - Soupape	Element - Ventil	Elemento - Válvula	
3	6193804M91	1	Pressure Relief Valve H (310 Bar)	Valve Decharge	Druckbegrventil	Válvula De Seguridad	
4	6193771M91	1	Seal Interface Kit	Pochette De Joints	Dichsatz	Juego De Juntas	
5	6193799M91	1	Pressure Relief Valve H (155 Bar)	Valve Decharge	Druckbegrventil	Válvula De Seguridad	
6	6193781M91	1	Seal Kit Complete	Jeu Etancheite	Dichtringsatz	Juege De Juntas	
7	6194830M91	1	Spool Kit (Slice - Boom)	Jeu Tiroir	Schieber Satz	Juego Carrete	

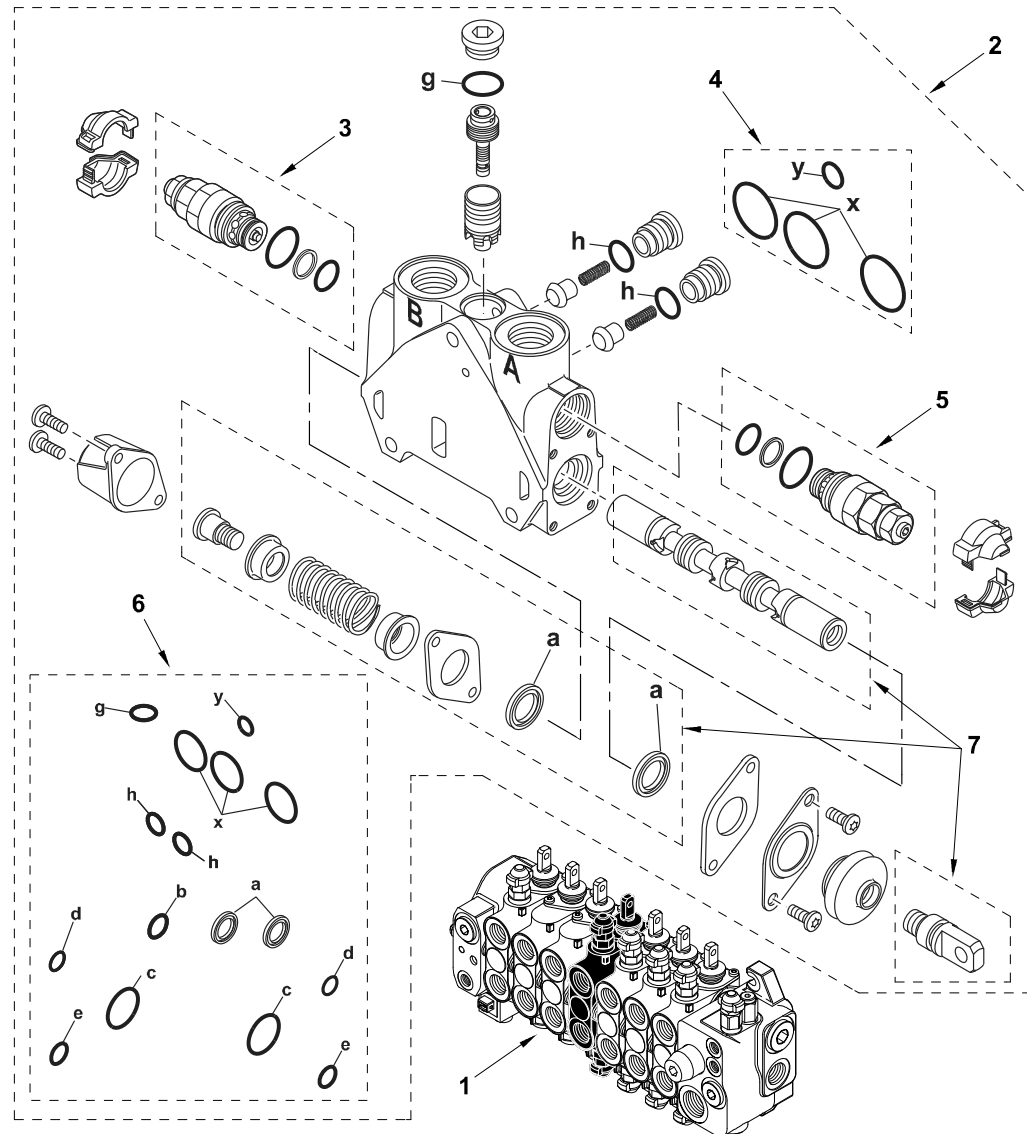


C-38004-05.1-B



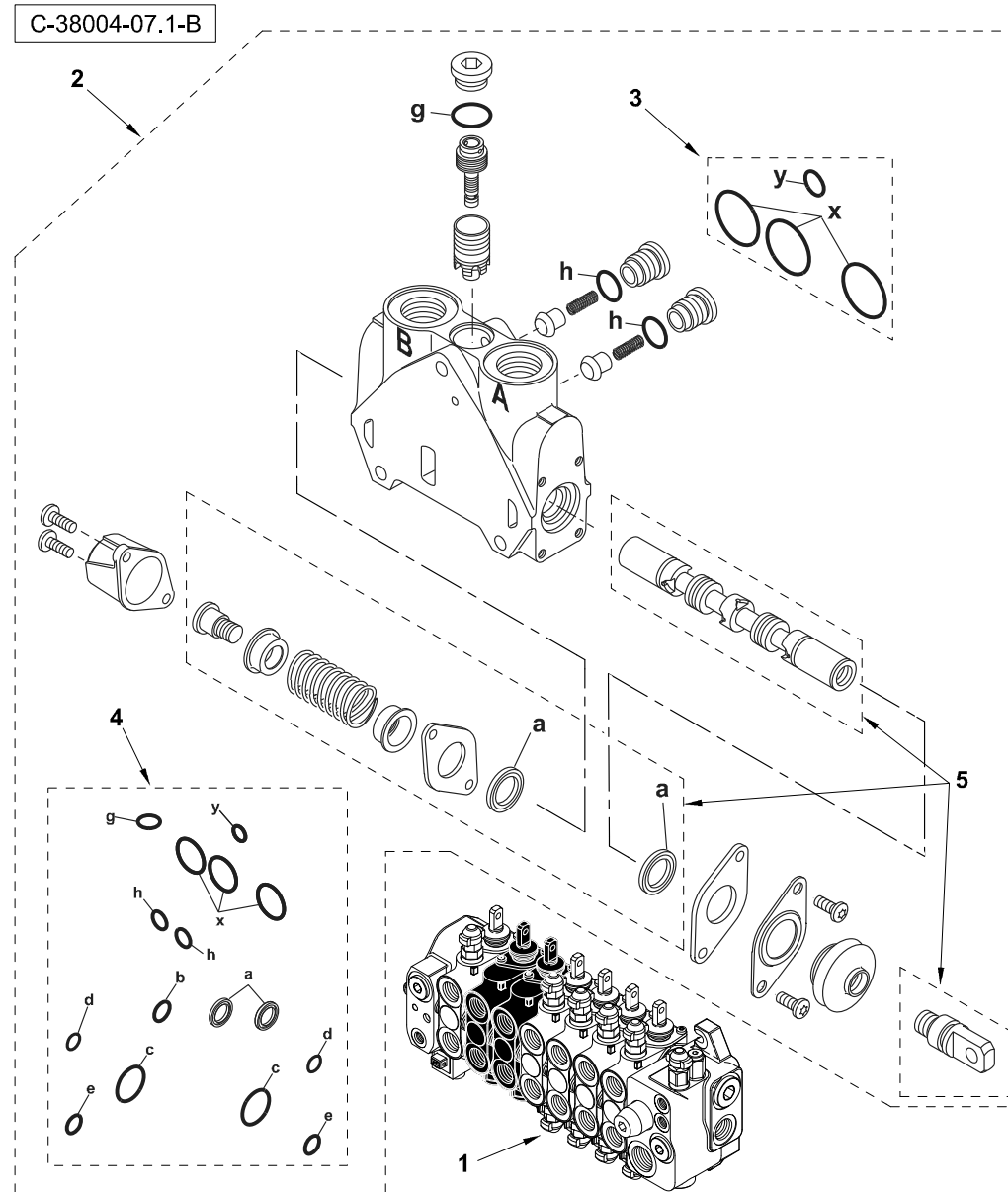
Item	Part No.	Qty.	English	French	German	Spanish	Remarks
1	6109457M91	1	Digger Valve - 7 Spool Mech C/M	Ensemble Distribution	Steuerventilblock Kpl.	Distribuidor, Conj.	
2	6194521M91	1	Element - Dipper	Element - Soupape	Element - Ventil	Elemento - Válvula	
3	6193802M91	1	Pressure Relief Valve H 265 Bar	Valve Decharge	Druckbegrventil	Válvula De Seguridad	
4	6193771M91	1	Seal Interface Kit	Pochette De Joints	Dichsatz	Juego De Juntas	
5	6193808M91	1	Pressure Relief Valve A 280 Bar	Valve Decharge	Druckbegrventil	Válvula De Seguridad	
6	6193781M91	1	Seal Kit Complete	Jeu Etancheite	Dichtringsatz	Juege De Juntas	
7	6194831M91	1	Spool Kit (Slice - Dipper)	Jeu Tiroir	Schieber Satz	Juego Carrete	

C-38004-06.1-B



Item	Part No.	Qty.	English	French	German	Spanish	Remarks
1	6109457M91	1	Digger Valve - 7 Spool Mech C/M	Ensemble Distribution	Steuerventilblock Kpl.	Distribuidor, Conj.	
2	6194522M91	1	Element - Busket	Element - Soupape	Element - Ventil	Elemento - Válvula	
3	6193805M91	1	Pressure Relief Valve H 280 Bar	Valve Decharge	Druckbegrventil	Válvula De Seguridad	
4	6193771M91	1	Seal Interface Kit	Pochette De Joints	Dichsatz	Juego De Juntas	
5	6193805M91	1	Pressure Relief Valve H 280 Bar	Valve Decharge	Druckbegrventil	Válvula De Seguridad	
6	6193781M91	1	Seal Kit Complete	Jeu Etancheite	Dichtringsatz	Juege De Juntas	
7	6194832M91	1	Spool Kit (Slice - Digger Bucket)	Jeu Tiroir	Schieber Satz	Juego Carrete	

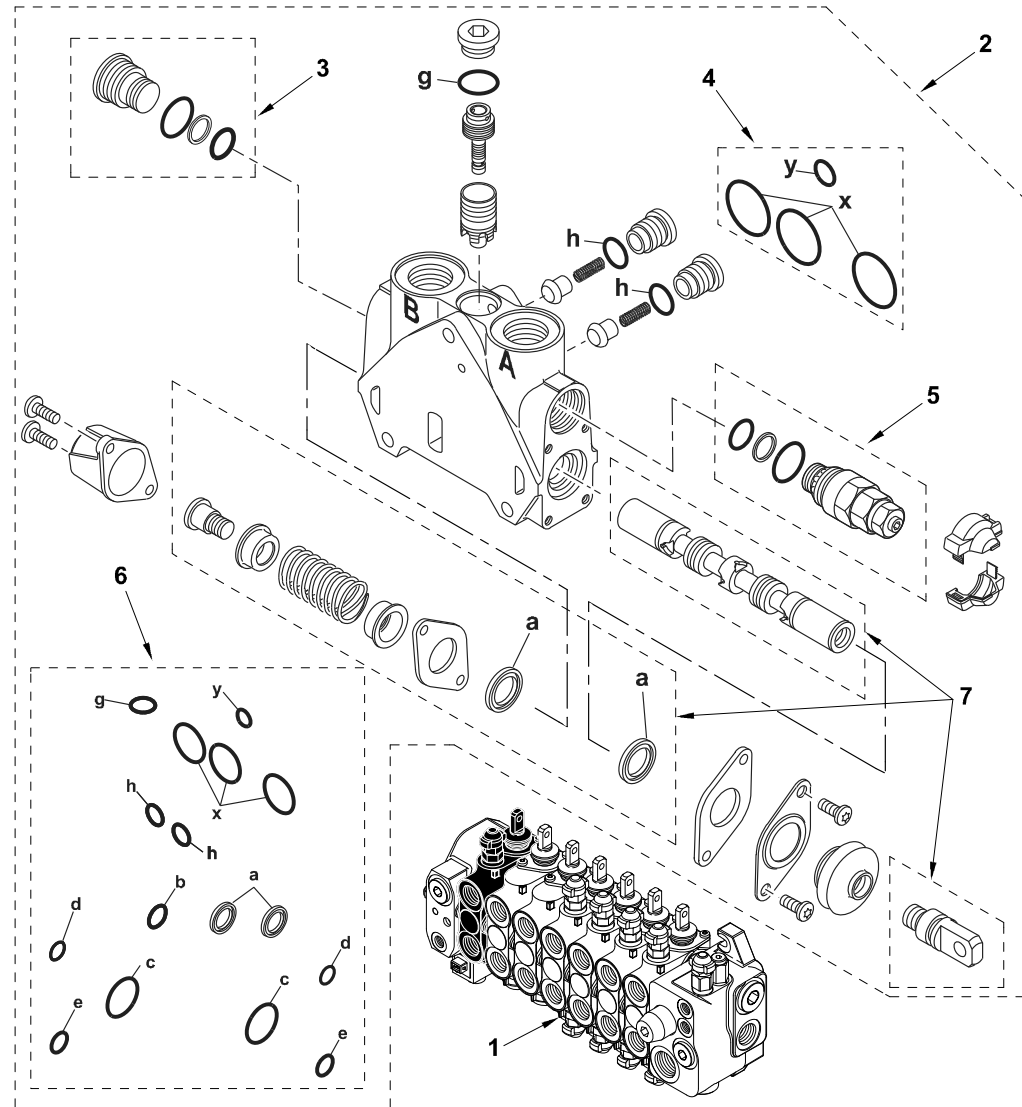




Item	Part No.	Qty.	English	French	German	Spanish	Remarks
1	6109457M91	1	Digger Valve - 7 Spool Mech C/M	Ensemble Distribution	Steuerventilblock Kpl.	Distribuidor, Conj.	
2	6194523M91	1	Element - Stabiliser	Element - Soupape	Element - Ventil	Elemento - Válvula	
3	6193771M91	1	Seal Interface Kit	Pochette De Joints	Dichsatz	Juego De Juntas	
4	6193781M91	1	Seal Kit Complete	Jeu Etancheite	Dichtringsatz	Juege De Juntas	
5	6194833M91	1	Spool Kit (Slice - Stabiliser)	Jeu Tiroir	Schieber Satz	Juego Carrete	



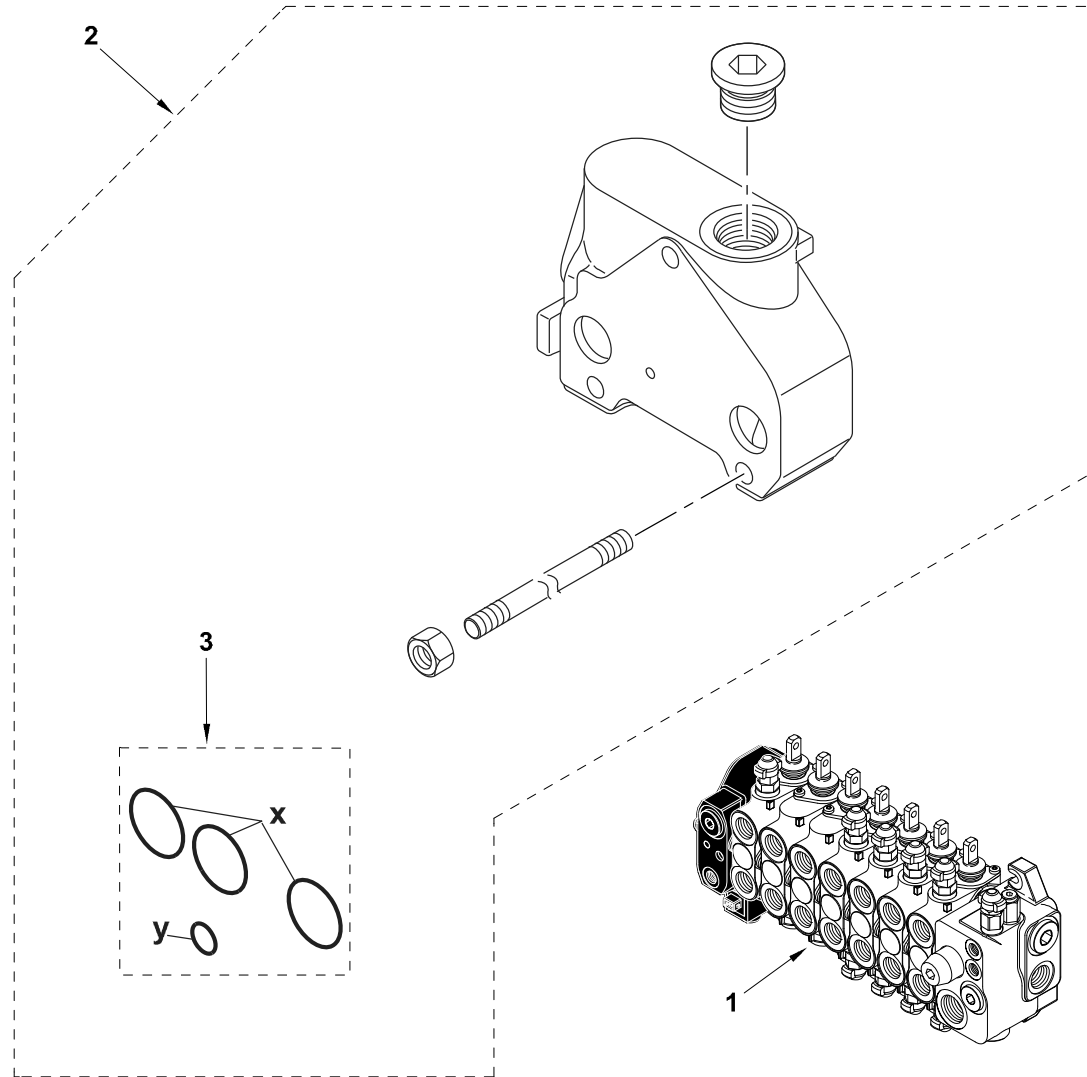
C-38004-08.1-B



Item	Part No.	Qty.	English	French	German	Spanish	Remarks
1	6109457M91	1	Digger Valve - 7 Spool Mech C/M	Ensemble Distribution	Steuerventilblock Kpl.	Distribuidor, Conj.	
2	6194524M91	1	Element - Telescope	Element - Soupape	Element - Ventil	Elemento - Válvula	
3	6193785M91	1	Plug Q - Port B	Bouchon	Stopfen	Tapón, Conj.	
4	6193771M91	1	Seal Interface Kit	Pochette De Joints	Dichsatz	Juego De Juntas	
5	6193799M91	1	Pressure Relief Valve H (155 Bar)	Valve Decharge	Druckbegrventil	Válvula De Seguridad	
6	6193781M91	1	Seal Kit Complete	Jeu Etancheite	Dichtringsatz	Juege De Juntas	
7	6194834M91	1	Spool Kit (Slice - Extentible Dipper)	Jeu Tiroir	Schieber Satz	Juego Carrete	



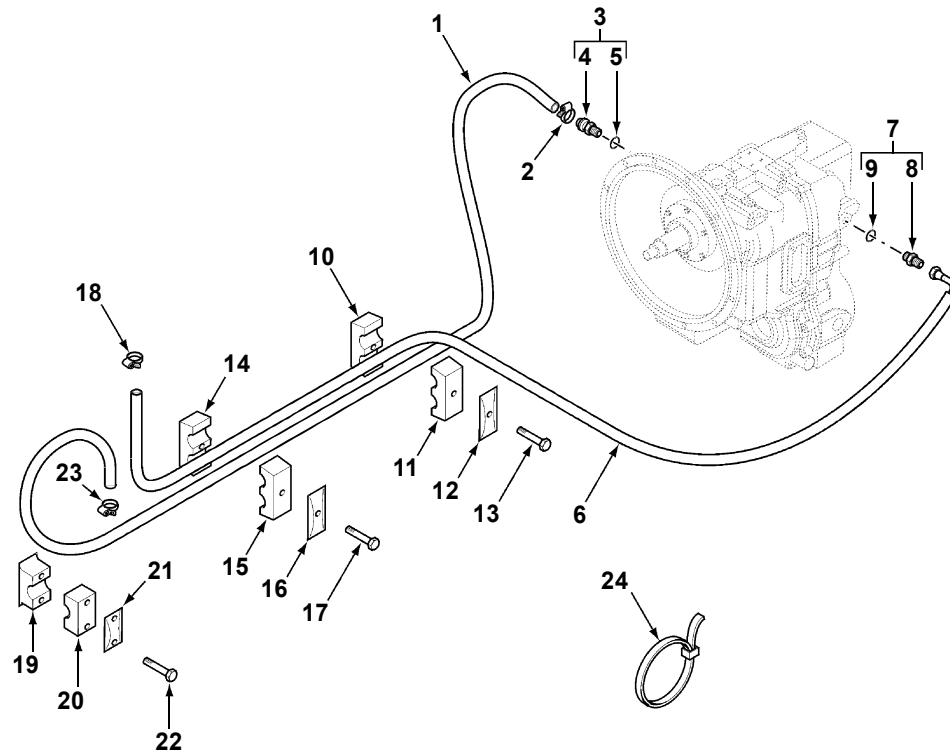
C-38004-09.1-A



Item	Part No.	Qty.	English	French	German	Spanish	Remarks
1	6109457M91	1	Digger Valve - 7 Spool Mech C/M	Ensemble Distribution	Steuerventilblock Kpl.	Distribuidor, Conj.	
2	6194516M91	1	Element - Outlet	Element - Soupape	Element - Ventil	Elemento - Válvula	
3	6193771M91	1	Seal Interface Kit	Pochette De Joints	Dichsatz	Juego De Juntas	

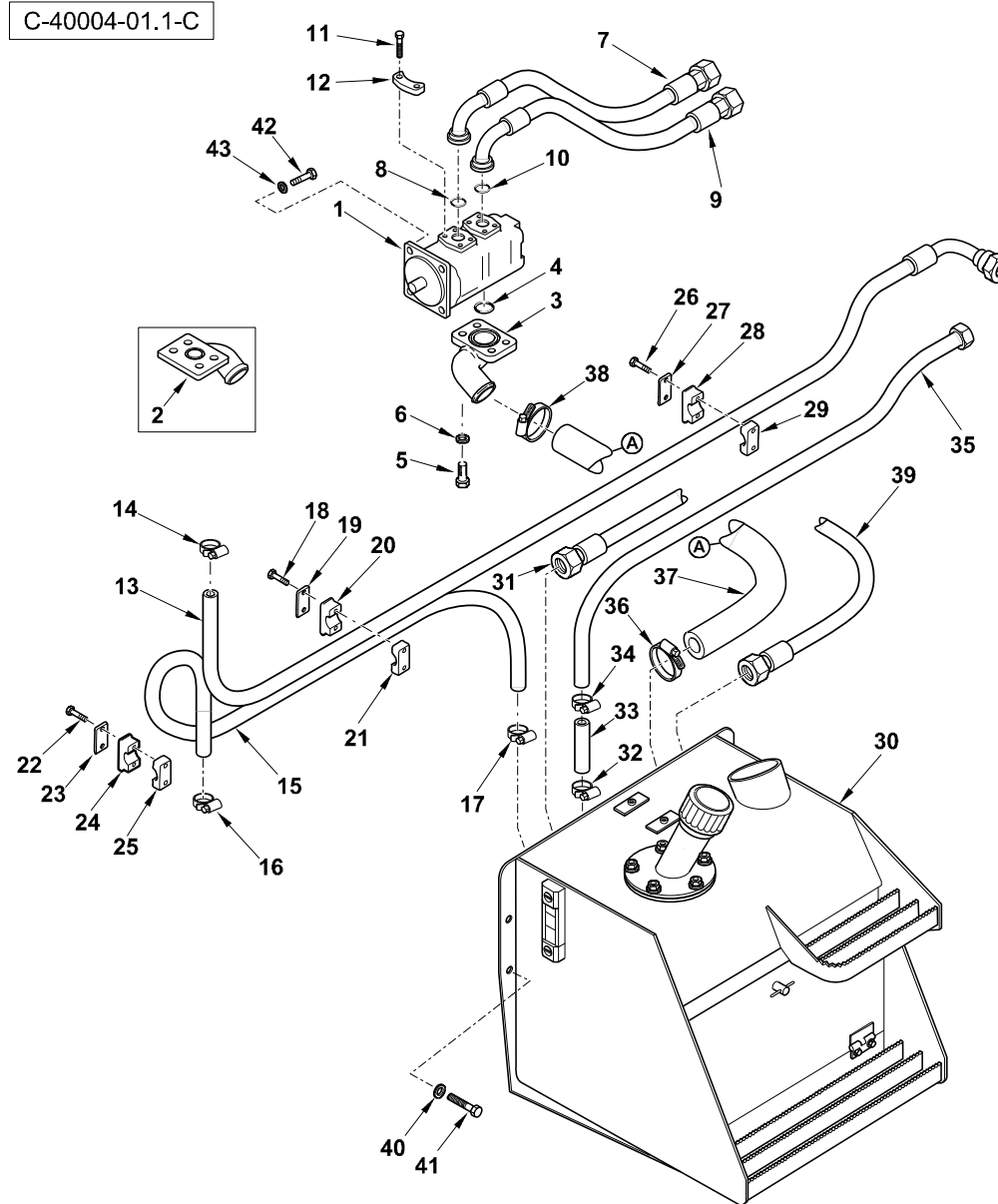


C-39003-01.1-A



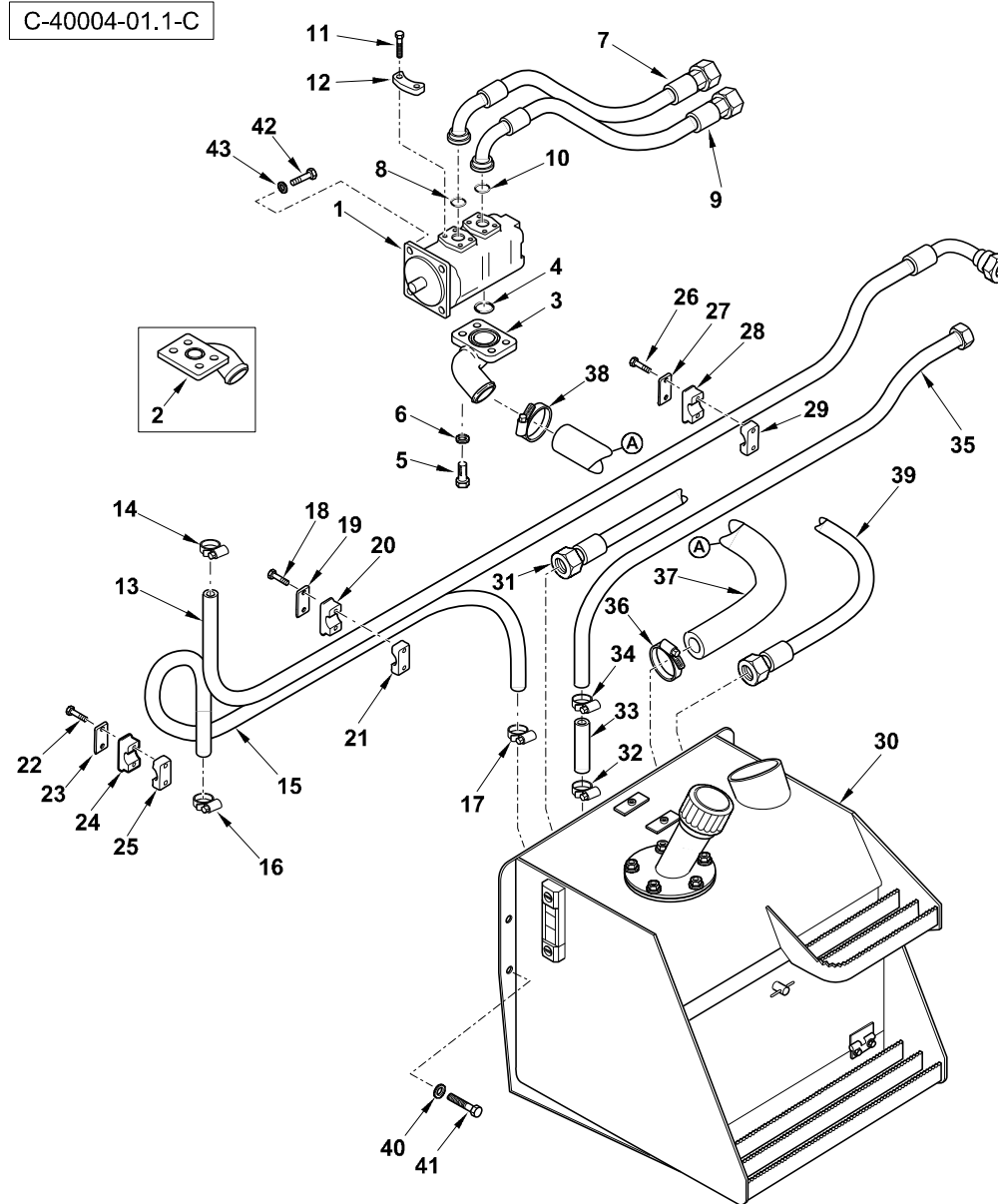
Item	Part No.	Qty.	English	French	German	Spanish	Remarks
1	6110166M91	1	Hose-T.Conv	Flexible Ass.	Schlauch Kplt	Flexible, Conj.	
2	3517410M1	1	Clip Hose 16/25	Bride Pour Tutaux	Schlauchschelle	Clip	
3	6107562M92	1	Adaptor	Adaptateur	Reduziernippel	Adaptador, Conj.	
4	#ADAPTOR	1	Adapter	Adapteur	Adapter	Adapatador	Ref. 3
5	835024M1	1	Ring O - Boa	Joint Torique	O Ring	Junta De Tipo O	
6	6110595M91	1	Hose Assy - T/Conv Return	Ensemble De Flexible	Schlauch Kpl	Flexible, Conj.	
7	835013M91	1	Connector 7/8 Jic	Raccord	Schraubanschluss	Conexión, Conj.	
8	#UNION	1	Union	Union	Union	Union	Ref. 7
9	835024M1	1	Ring O - Boa	Joint Torique	O Ring	Junta De Tipo O	
10	6107502M1	1	Clamp-Tube	Collier De Serrage	Klemme	Argolla De Cierre	
11	6107502M1	1	Clamp-Tube	Collier De Serrage	Klemme	Argolla De Cierre	
12	1470376M1	1	Top Plate-Clamp	Plaque	Platte	Placa	
13	339011X1	1	Bolt M8-45 Z5s	Boulon	Schraube	Perno	
14	6107502M1	1	Clamp-Tube	Collier De Serrage	Klemme	Argolla De Cierre	
15	6107502M1	1	Clamp-Tube	Collier De Serrage	Klemme	Argolla De Cierre	
16	1470376M1	1	Top Plate-Clamp	Plaque	Platte	Placa	
17	339011X1	1	Bolt M8-45 Z5s	Boulon	Schraube	Perno	
18	3517410M1	1	Clip Hose 16/25	Bride Pour Tutaux	Schlauchschelle	Clip	
19	3520340M3	1	Clamp Tube	Collier De Serrage	Halteschelle	Argolla De Cierre	
20	6102788M1	1	Fixing Bracket	Patte Fixation	Halter	Brida De Fijación	
21	1462583M1	1	Plate-Clamp	Plaque	Platte	Placa	
22	391244X1	2	Bolt M6-45 Z5s	Goupille	Bolzen - M6 X 45	Perno	
23	3517410M1	1	Clip Hose 16/25	Bride Pour Tutaux	Schlauchschelle	Clip	
24	1876229M1	2	Tie 270mm Lk2a	Attache Câble	Kabelbinder	Enlace De Cable	





Item	Part No.	Qty.	English	French	German	Spanish	Remarks
1	6111153M93	1	Pump - Hydraulic 160 Litres/Min (4 Bolt)	Pompe Hydraulique	Hydropumpe	Bomba Hidraulica	See 40004c06.1
2	6109377M1	1	Elbow - Suction	Coude	Winkelstuck	Bloque Codo	Ec06/108
3	6110434M1	1	Elbow - Suction	Coude	Winkelstuck	Bloque Codo	Ec06/108
4	6110711M1	1	'o' - Ring	Joint Torique	'o' - Ring	Junta De Tipo O	
5	1440356X1	4	Soc.Hd.Screw M12 X 30	Vis	Schraube	Tornillo	
6	339369X1	4	Washer M12-22-2 Zsp	Rondelle Frein	Federring - M12	Arandela De Freno	
7	6109122M91	1	Hose Assy - Pump To Unloader	Flexible Ass.	Schlauch Kplt	Flexible, Conj.	
8	851145M1	1	Ring O	Joint Torique	O - Ring	Junta De Tipo O	
9	6109122M91	1	Hose Assy - Pump To Unloader	Flexible Ass.	Schlauch Kplt	Flexible, Conj.	
10	851145M1	1	Ring O	Joint Torique	O - Ring	Junta De Tipo O	
11	3009493X1	8	Bolt M10-30 Z5c	Boulon M10 X 30	Maschschraube M10	Perno	
12	3521551M1	4	Bracket Clamp	Patte Fixation	Halter	Brida De Fijación	
13	6109056M91	1	Hose Assy - Filter To Cooler	Flexible Hyd.	Hydraulschlauch	Flexible, Conj.	
14	3517410M1	1	Clip Hose 16/25	Bride Pour Tutaux	Schlauchschelle	Clip	
15	6109689M1	1	Hose 5/8 Sae Cooler To Tank	Flexible Hyd.	Hydraulschlauch	Tubo Flexible	
16	3517410M1	1	Clip Hose 16/25	Bride Pour Tutaux	Schlauchschelle	Clip	
17	3517410M1	1	Clip Hose 16/25	Bride Pour Tutaux	Schlauchschelle	Clip	
18	339011X1	2	Bolt M8-45 Z5s	Boulon	Schraube	Perno	
19	1470376M1	2	Top Plate-Clamp	Plaque	Platte	Placa	
20	6107502M1	2	Clamp-Tube	Collier De Serrage	Klemme	Argolla De Cierre	
21	6107502M1	2	Clamp-Tube	Collier De Serrage	Klemme	Argolla De Cierre	
22	391244X1	1	Bolt M6-45 Z5s	Goupille	Bolzen - M6 X 45	Perno	
23	1462583M1	1	Plate-Clamp	Plaque	Platte	Placa	
24	6102788M1	1	Fixing Bracket	Patte Fixation	Halter	Brida De Fijación	
25	3520340M3	1	Clamp Tube	Collier De Serrage	Halteschelle	Argolla De Cierre	
26	391244X1	1	Bolt M6-45 Z5s	Goupille	Bolzen - M6 X 45	Perno	
27	1462583M1	1	Plate-Clamp	Plaque	Platte	Placa	
28	6102788M1	1	Fixing Bracket	Patte Fixation	Halter	Brida De Fijación	
29	3520340M3	1	Clamp Tube	Collier De Serrage	Halteschelle	Argolla De Cierre	
30	6112229M91	1	Hyd Tank/Battery Box Assy Hla	Ensemble De Réservoir	Behälter Kpl.	Deposito Hidrau.	40004c05.1 1

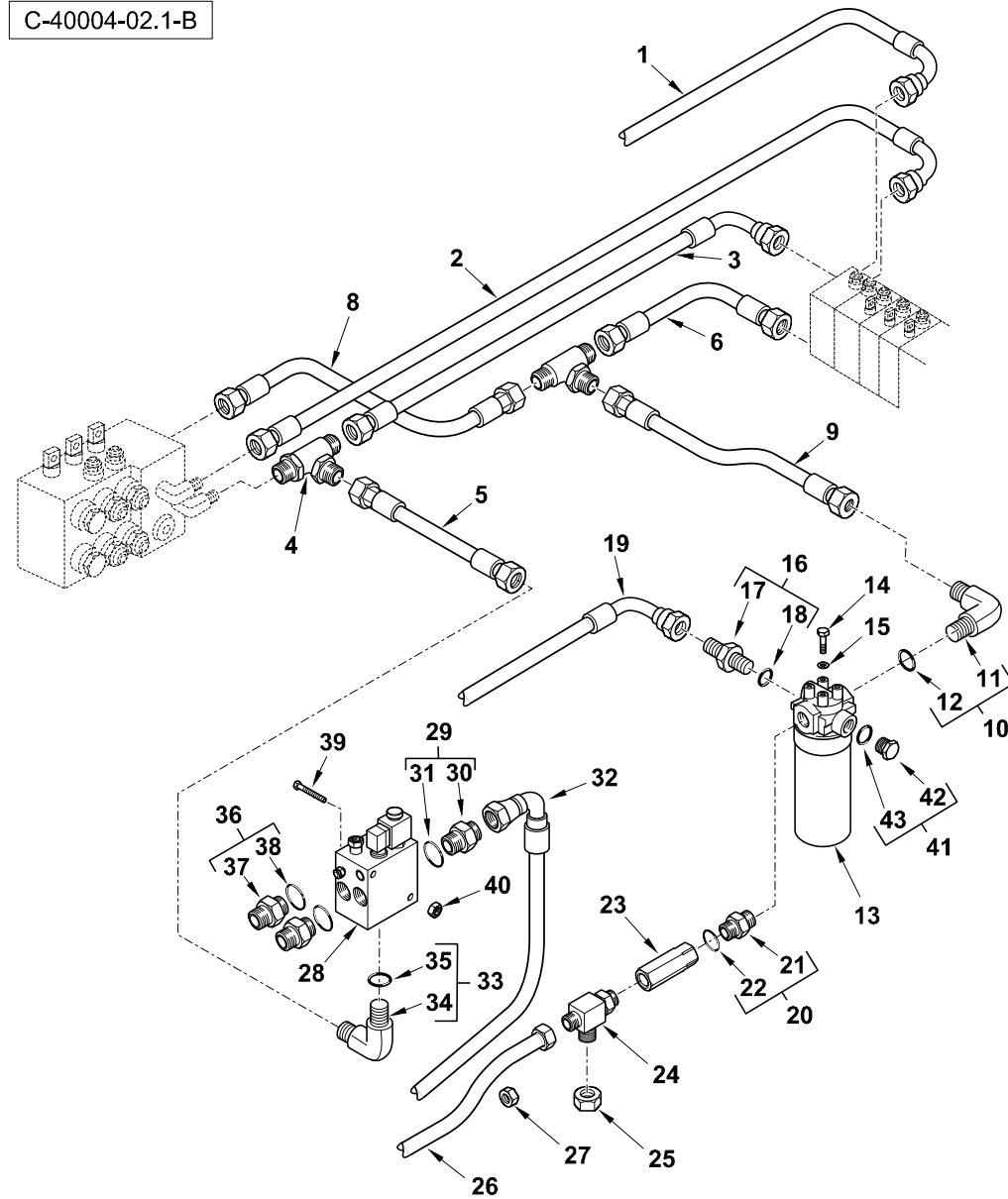




Item	Part No.	Qty.	English	French	German	Spanish	Remarks
31	6109619M91	1	Hose Assy - Unloader To Tank	Flexible Ass.	Schlauch Kplt	Flexible, Conj.	
32	3517738M1	1	Clip Hose 25/40	Bride Pour Tutaux	Schlauchschelle	Clip	
33	6109065M1	1	Hose	Flexible	Schlauch	Tubo Flexible	
34	3517738M1	1	Clip Hose 25/40	Bride Pour Tutaux	Schlauchschelle	Clip	
35	6109073M91	1	Tube Assy - Filter To Tank	Tuyauterie	Rohrleitung Kplt	Conjunto De Tubería	
36	6114400M1	1	Clip Hose 50/70	Collier Durit	Schlauchschelle	Clip Manguera	
37	6111531M1	1	Hose - Suction (S/Shuttle)	Flexible	Schlauch	Tubo Flexible	Ec06/108
37	6109242M1	1	Hose - Suction	Flexible	Schlauch	Tubo Flexible	Ec06/108
38	6114400M1	1	Clip Hose 50/70	Collier Durit	Schlauchschelle	Clip Manguera	
39	6109395M91	1	Hose Assy - Valve To Tank	Flexible Ass.	Schlauch Kplt	Flexible, Conj.	
40	391212X1	4	Washer M12-34-3 Z	Rondelle	Scheibe	Arandela	
41	3009505X1	4	Hex. Bolt, M12 X 25 - Coarse	Boulon	Bolzen M12 X 25	Perno	
42	391334X1	2	Bolt, Hex. - M16 X 50	Goupille	Bolzen	Tornillo	Ec05/375
42	6111370M1	4	Bolt - M12 Special - Zinc Plated Grd 8.8	Boulon Speciale M12	Spezialschraube M12	Perno	Ec05/375
43	390735X1	4	Washer M12-24-2 Z	Rondelle	Scheibe - M12	Arandela	Ec05/375
43	1441664X1	2	Washer M16-30-3 Z	Rondelle	Scheibe	Arandela	Ec05/375



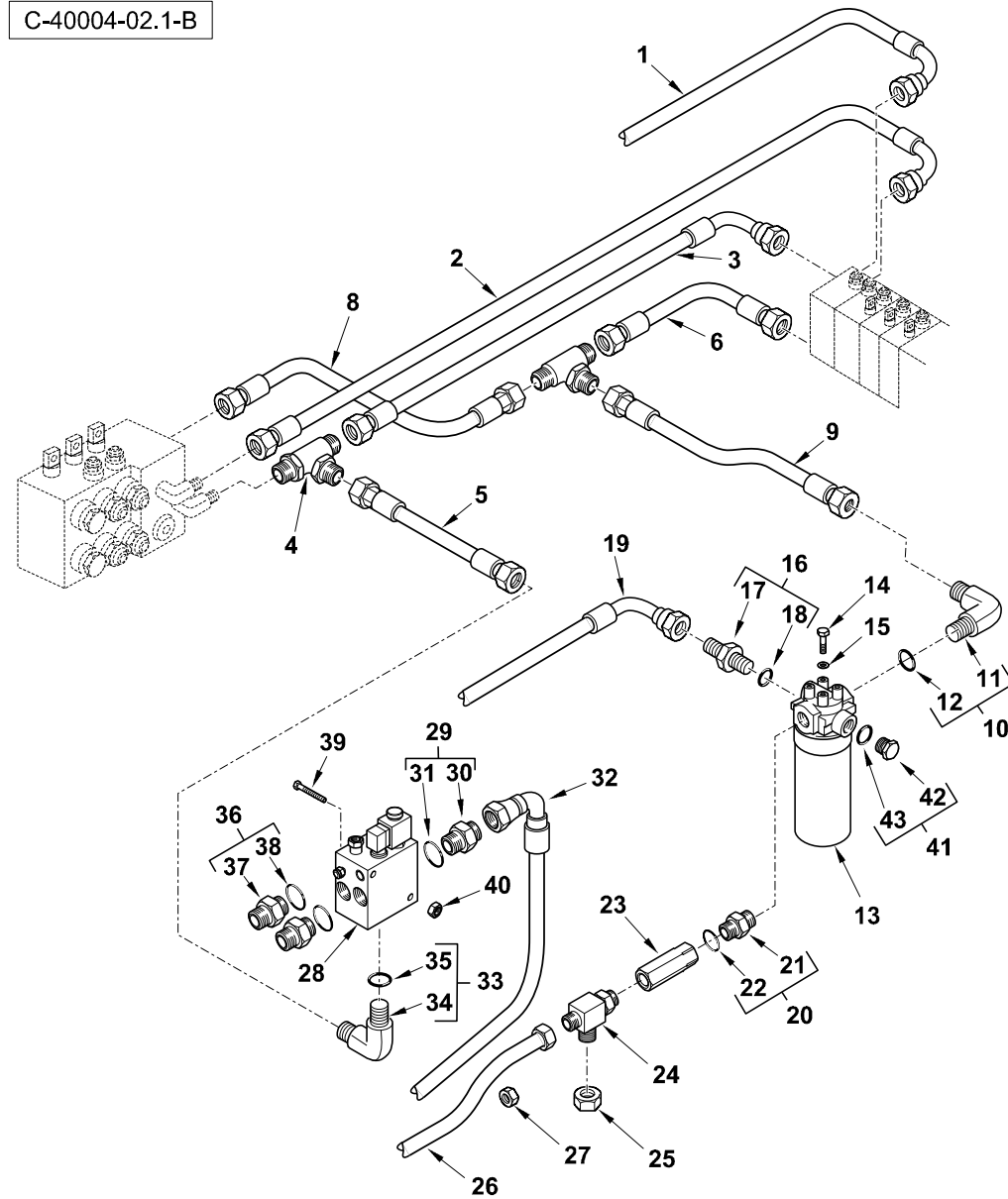
C-40004-02.1-B



Item	Part No.	Qty.	English	French	German	Spanish	Remarks
1	6109395M91	1	Hose Assy - Valve To Tank	Flexible Ass.	Schlauch Kplt	Flexible, Conj.	
2	6109448M91	1	Hose-L.Sense-L.Valve/D.Valve	Flexible Ass.	Schlauch Kplt	Flexible, Conj.	
3	6109447M91	1	Hose Assy - Pressure L/Valve To D/Valve	Flexible Ass.	Schlauch Kplt	Flexible, Conj.	
4	371360X1	1	Union	Te	T-Stück	Te	
5	6108189M91	1	Hose-Main Hyd	Flexible Ass.	Schlauch Kpl	Flexible, Conj.	
6	6109859M91	1	Tube Assy	Tuyauterie	Rohrleitung Kplt	Conjunto De Tubería	
7	356564X1	1	Tee	Te	T-Stück	Te	
8	6109728M91	1	Hose Assy - Return To Filter	Flexible Ass.	Schlauch Kplt	Flexible, Conj.	
9	6109728M91	1	Hose Assy - Return To Filter	Flexible Ass.	Schlauch Kplt	Flexible, Conj.	
10	358766X91	1	Elbow 90deg	Coude	Kniestück, 90	Codo, 90°	
11	#ELBOW	1	Elbow	Elbow	Elbow	Elbow	Ref. 10
12	835026M1	1	O-Ring	Joint Torique	O-Ring	Junta De Tipo O	
13	T102791	1	Filter Assy	Filtre	Filter Kpl.	Filtro	
14	3009491X1	2	Bolt M10 X 20	Boulon	Maschschraube M10	Tornillo	
15	385362X1	2	Washer, Hardened - M10	Rondelle - M10	Unterlegscheibe M10	Arandela	
16	835013M91	1	Connector 7/8 Jic	Raccord	Schraubanschluss	Conexión, Conj.	
17	#UNION	1	Union	Union	Union	Union	Ref. 16
18	835024M1	1	Ring O - Boa	Joint Torique	O Ring	Junta De Tipo O	
19	6109056M91	1	Hose Assy - Filter To Cooler	Flexible Hyd.	Hydraulschlauch	Flexible, Conj.	
20	6109845M91	1	Connector	Borne	Doppelnippel	Conexión, Conj.	
21	#UNION	1	Union	Union	Union	Union	Ref. 20
22	#O-RING	1	O-Ring	Joint Torique	O-Ring	Junta Tórica	Ref. 20
23	T103247	1	Check Valve - Sleeve	Manchon	Hulse	Mancha	
24	358748X91	1	Tee	Te	T-Stück	Te	
25	356582X1	1	Cap - 37 Deg. Flare	Chapeau	Kappe	Sombbrero	
26	6109073M91	1	Tube Assy - Filter To Tank	Tuyauterie	Rohrleitung Kplt	Conjunto De Tubería	
27	356577X1	1	Cap Blanking 7/16 Jic	Chapeau	Kappe	Sombbrero	
28	6110446M91	1	Unloader Steer Valve	Distributeur	Steuerventil	Distribuidor	40004c04.1 1
29	835013M91	1	Connector 7/8 Jic	Raccord	Schraubanschluss	Conexión, Conj.	
30	#UNION	1	Union	Union	Union	Union	Ref. 29



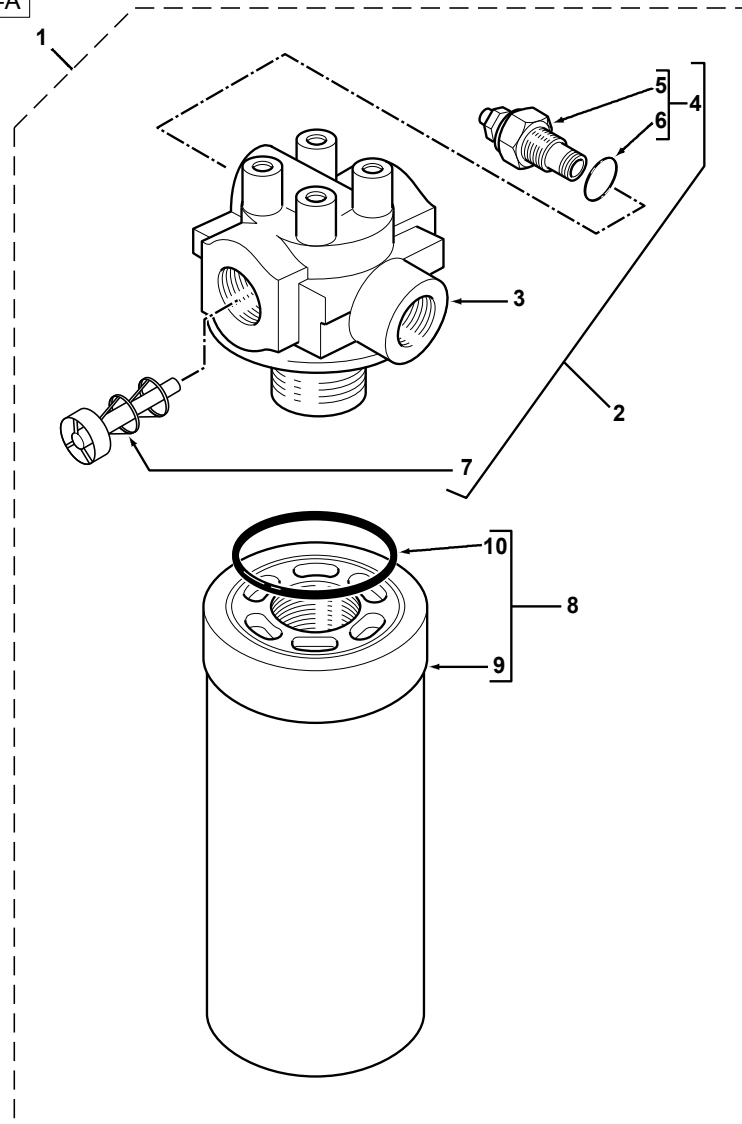
C-40004-02.1-B



Item	Part No.	Qty.	English	French	German	Spanish	Remarks
31	835024M1	1	Ring O - Boa	Joint Torique	O Ring	Junta De Tipo O	
32	6109619M91	1	Hose Assy - Unloader To Tank	Flexible Ass.	Schlauch Kplt	Flexible, Conj.	
33	358764X91	1	Elbow 90 Deg	Coude 90°	Kniestück, 90°	Codo, 90°	
34	#ELBOW	1	Elbow	Elbow	Elbow	Elbow	Ref. 33
35	835025M1	1	Ring O	Joint Torique	O Ring	Junta De Tipo O	
36	3517847M91	2	Connector	Borne	Doppelnippel	Unión	
37	#UNION	1	Union	Union	Union	Union	Ref. 36
38	835024M1	1	Ring O - Boa	Joint Torique	O Ring	Junta De Tipo O	
39	339084X1	2	Bolt M8-100 Z5s	Goupille	Bolzen	Perno	
40	394367X1	2	Nut, Hex. - Nyloc, M8	Ecrou Blocage M8	Flachmutter - M8	Tuerca De Retención	
41	835087M91	1	Plug 9/16"	Bouchon	Stopfen	Tapón, Conj.	
42	#PLUG	1	Plug	Plug	Plug	Plug	Ref. 41
43	831452M1	1	O Ring (Pack Of 10)	Joint Torique	O Ring	Junta De Tipo O	

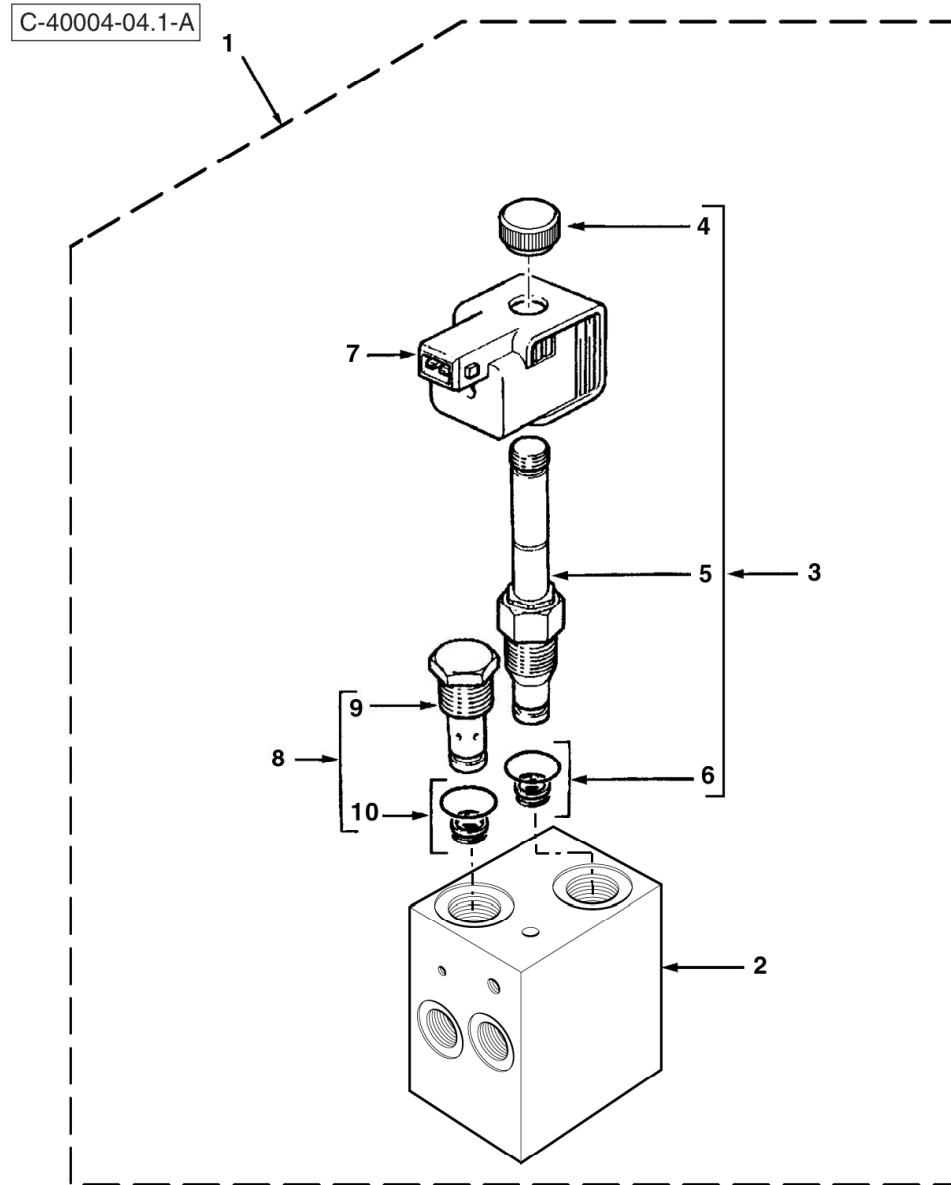


C-40004-03.1-A



Item	Part No.	Qty.	English	French	German	Spanish	Remarks
1	T102791	1	Filter Assy	Filtre	Filter Kpl.	Filtro	
2	T102792	1	Filter Head	Tete De Filtre	Filterkopf	Cabeza De Filtro	
3	#HEAD, FILTER	1	Head, Filter	Head, Filter	Head, Filter	Head, Filter	Ref.2
4	6193234M91	1	Connection Electric	Pressostat	Druckschalter	Presostato	
5	#SWITCH, PRESSURE	1	Switch, Pressure	Switch, Pressure	Switch, Pressure	Switch, Pressure	Ref.4
6	3523725M1	1	O-Ring	Joint Torique	O-Ring	Junta De Tipo O	
7	#VALVE, CHECK	1	Valve, Check	Valve, Check	Valve, Check	Valve, Check	Ref.2
8	6100361M91	1	Filter Element - Hydraulic Oil	Element Hydraul.	Ol•lter	Elemento Filtrante	
9	#ELEMENT, FILTER	1	Element, Filter	Element, Filter	Element, Filter	Element, Filter	Ref.8
10	#O-RING	1	O-Ring	Joint Torique	O-Ring	Junta Tórica	Ref.8

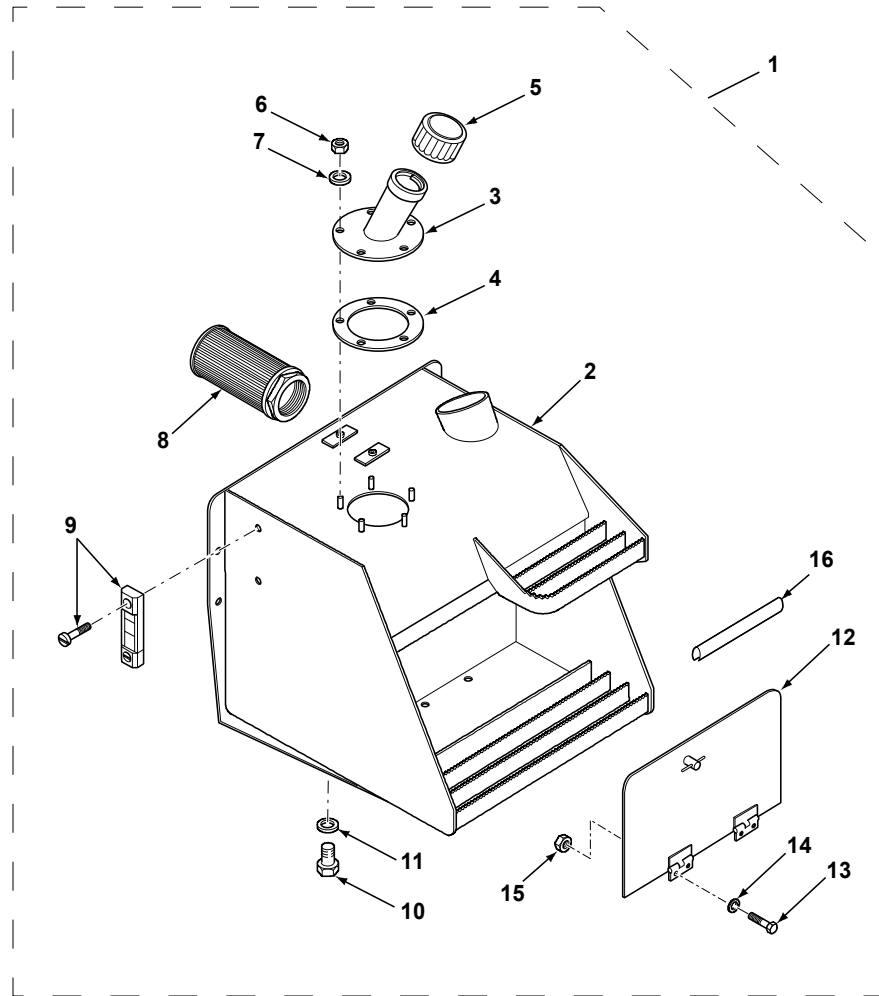




Item	Part No.	Qty.	English	French	German	Spanish	Remarks
1	6110446M91	1	Unloader Steer Valve	Distributeur	Steuerventil	Distribuidor	40004c02.1 28
2	#BODY	1	Body	Body	Body	Body	Ref.1
3	6193714M1	1	Solenoid Cartridge	Ensemble De Solénoïde	Magnetspule Kpl.	Solenoide, Conj.	
4	#NUT	1	Nut	Ecrou	Mutter	Tuerca	Ref.3
5	#SPOOL	1	Spool	Spool	Spool	Spool	Ref.3
6	6193715M91	1	Seal Kit For Solenoid Cartridge	Jeu Étanchéité	Dichtringsatz	Juego De Juntas	
7	6193716M1	1	Coil-Steer Valve	Bobine	Wicklung	Bobina	
8	6193712M1	1	Relief Valve Cartridge	Soupape, Décharge	Sicherheitsventil	Válvula, Descarga	
9	#VALVE	1	Valve	Soupape	Ventil	Válvula	Ref.8
10	6193713M91	1	Seal Kit For Relief Valve Cartridge	Jeu Étanchéité	Dichtringsatz	Juego De Juntas	



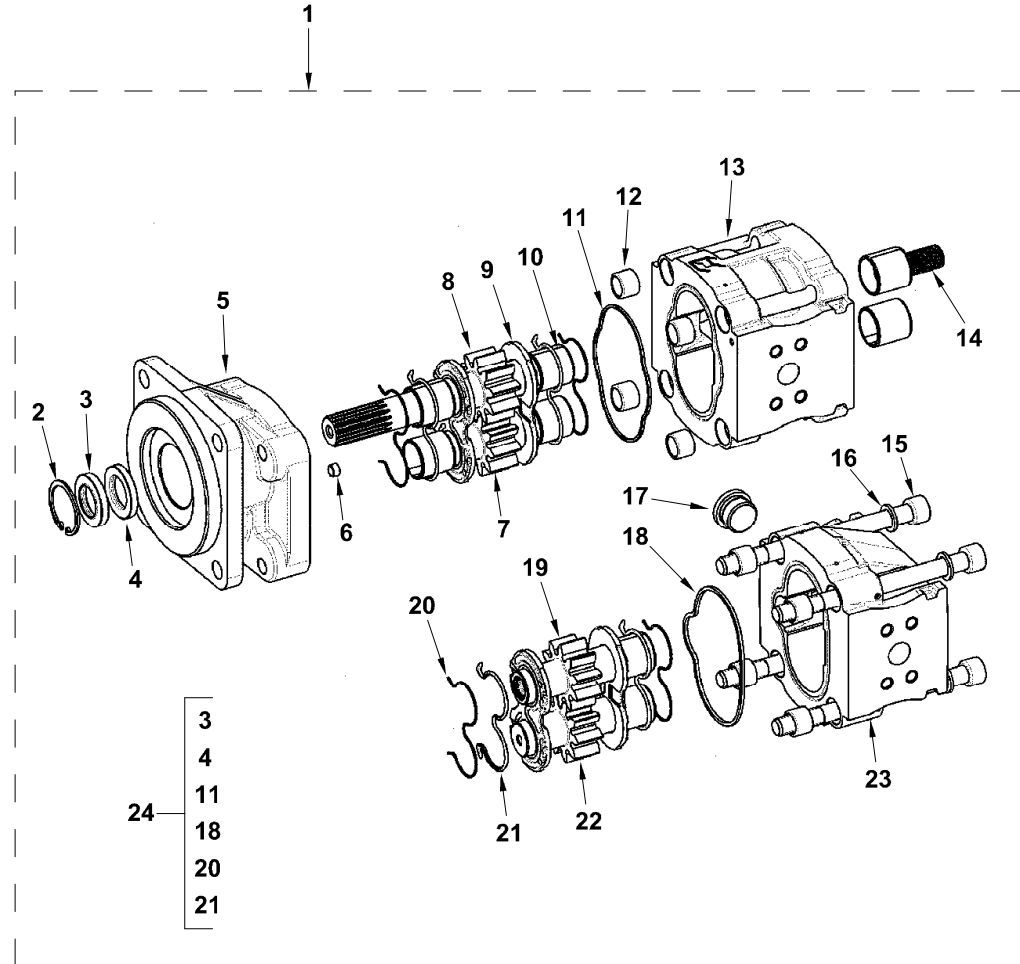
C-40004-05.1-B



Item	Part No.	Qty.	English	French	German	Spanish	Remarks
1	6112229M91	1	Hyd Tank/Battery Box Assy Hla	Ensemble De Réservoir	Behälter Kpl.	Deposito Hidrau.	40004c01.1 30
2	#RESERVOIR	1	Reservoir	Reservoir	Reservoir	Reservoir	Ref.1
3	6109321M93	1	Tube-Filler-W/Assy	Remplisseur	Einfüllstutzen	Rellenador	
4	6110441M1	1	Gasket	Joint	Dichtring	Empaquetadura	
5	6109794M1	1	Filler/Breather Cap	Event/Bouchon	Verschlussstopfen	Ventilador Del Cáter	
6	339169X1	5	Nut, Hex. - M8, Coarse	Ecrou Métrique	Mutter Metrisch	Tuerca	
7	339374X1	5	Washer M8 -21-2 Z	Rondelle Frein - M8	Federring - M8	Arandela De Freno	
8	3515254M1	1	Element-Suction	Crépine Ass.	Siebelement Kplt	Filtro De Aceite	
9	6110796M91	1	Indicator- Oil Level	Indicateur De Niveau	Schauglas	Indicador De Nivel	
10	376501X1	1	Plug Sealing 3/4	Bouchon De Vidange	Ablassschraube	Tapón De Drenaje	
11	1476281X1	1	Washer, Sealing	Rondelle Joint	Stopfring	Arandela Junta	
12	6109796M91	1	Cover W/Assy	Ensemble De Couvercl	Abdeckung Kplt	Tapa, Conj.	
13	339560X1	4	Bolt - M6 X 16mm (Hex.)	Boulon M6 X 16	Maschschraube - M6	Tornillo	
14	390971X1	4	Washer M6-12-1 Zwl	Rondelle - M6	Scheibe - M6	Arandela	
15	1441500X1	4	Nut M6 Z5 Nyloc	Ecrou	Flachmutter M6	Tuerca De Retención	
16	6110594M1	2	Trim - Edge (Black Pvc 90mm Long)	Bande	Streifen	Banda	



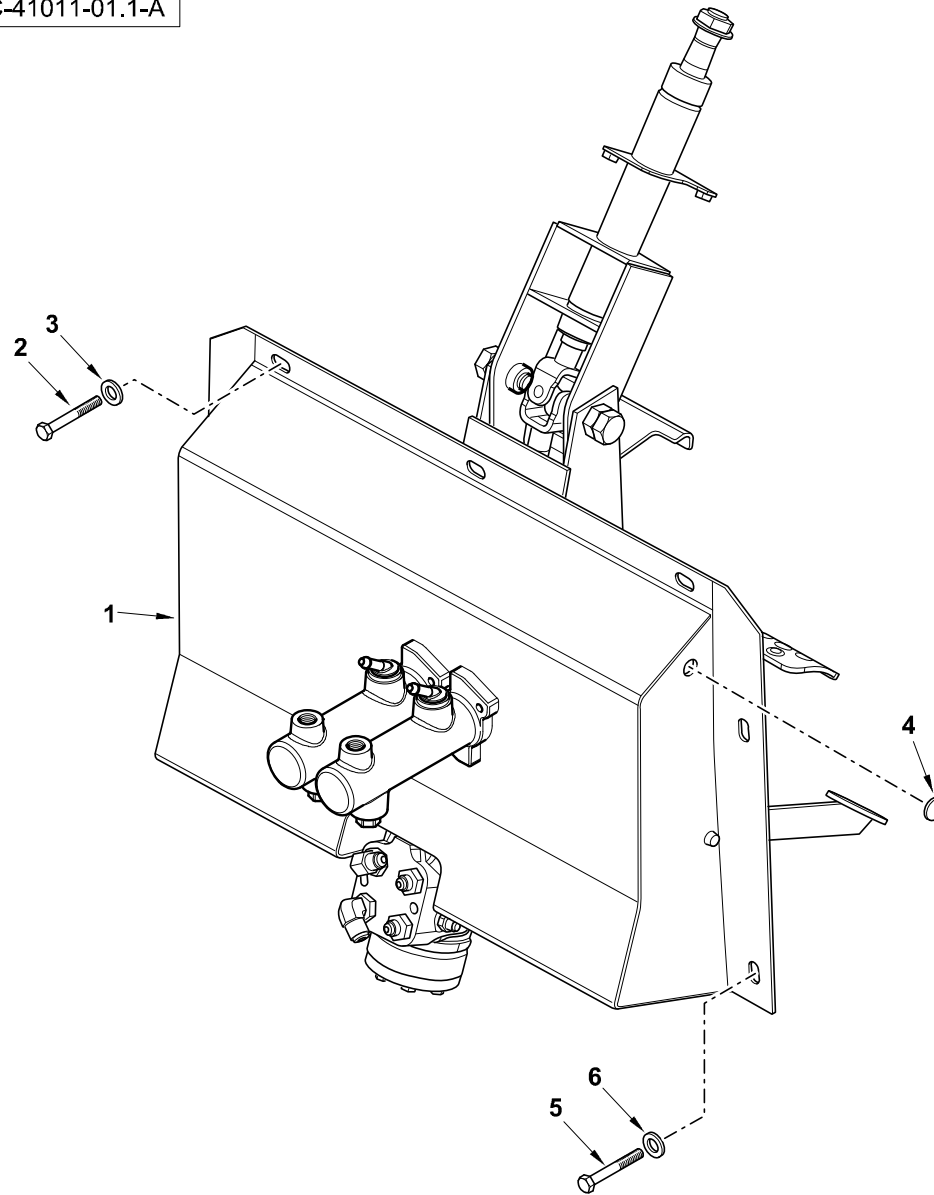
C-40004-06.1-A



Item	Part No.	Qty.	English	French	German	Spanish	Remarks
1	6111153M93	1	Pump - Hydraulic 160 Litres/Min (4 Bolt)	Pompe Hydraulique	Hydropumpe	Bomba Hidraulica	
2	6194750M1	1	Circlip	Segment D Arret	Sicherungsring	Circlip	
3	#SEAL	1	Seal	Joint Étanchéité	Dichtring	Retén	Ref. 1
4	#SEAL	1	Seal	Joint Étanchéité	Dichtring	Retén	Ref. 1
5	#COVER	1	Cover	Cover	Cover	Cover	Ref. 1
6	#SCREW	1	Screw	Vis	Schraube	Tornillo	Ref. 1
7	#GEAR	1	Gear	Gear	Gear	Gear	Ref. 1
8	#SHAFT	1	Shaft	Shaft	Shaft	Shaft	Ref. 1
9	6194933M91	4	Plate - Thrust	Plaque De Butee	Druckplatte	Plate - Thrust	
10	#BEARING	8	Bearing	Bearing	Bearing	Bearing	Ref. 1
11	#SEAL	1	Seal	Joint Étanchéité	Dichtring	Retén	Ref. 1
12	6194751M1	8	Bush - Steel	Douille	Buchse	Bush - Steel	
13	#BODY	1	Body	Body	Body	Body	Ref. 1
14	#HUB	1	Hub	Hub	Hub	Hub	Ref. 1
15	6194748M1	4	Bolt	Boulon	Maschschraube	Bolt	
16	6194749M1	4	Washer	Rondelle	Unterlegscheibe	Washer	
17	#PLUG	1	Plug	Plug	Plug	Plug	Ref. 1
18	#SEAL	1	Seal	Joint Étanchéité	Dichtring	Retén	Ref. 1
19	#SHAFT	1	Shaft	Shaft	Shaft	Shaft	Ref. 1
20	#RING	4	Ring	Anneau	Ring	Aro	Ref. 1
21	#SEAL	4	Seal	Joint Étanchéité	Dichtring	Retén	Ref. 1
22	#GEAR	1	Gear	Gear	Gear	Gear	Ref. 1
23	#BODY	1	Body	Body	Body	Body	Ref. 1
24	6194752M91	1	Seal Kit	Jeu Etancheite	Dichtringsatz	Seal Kit	



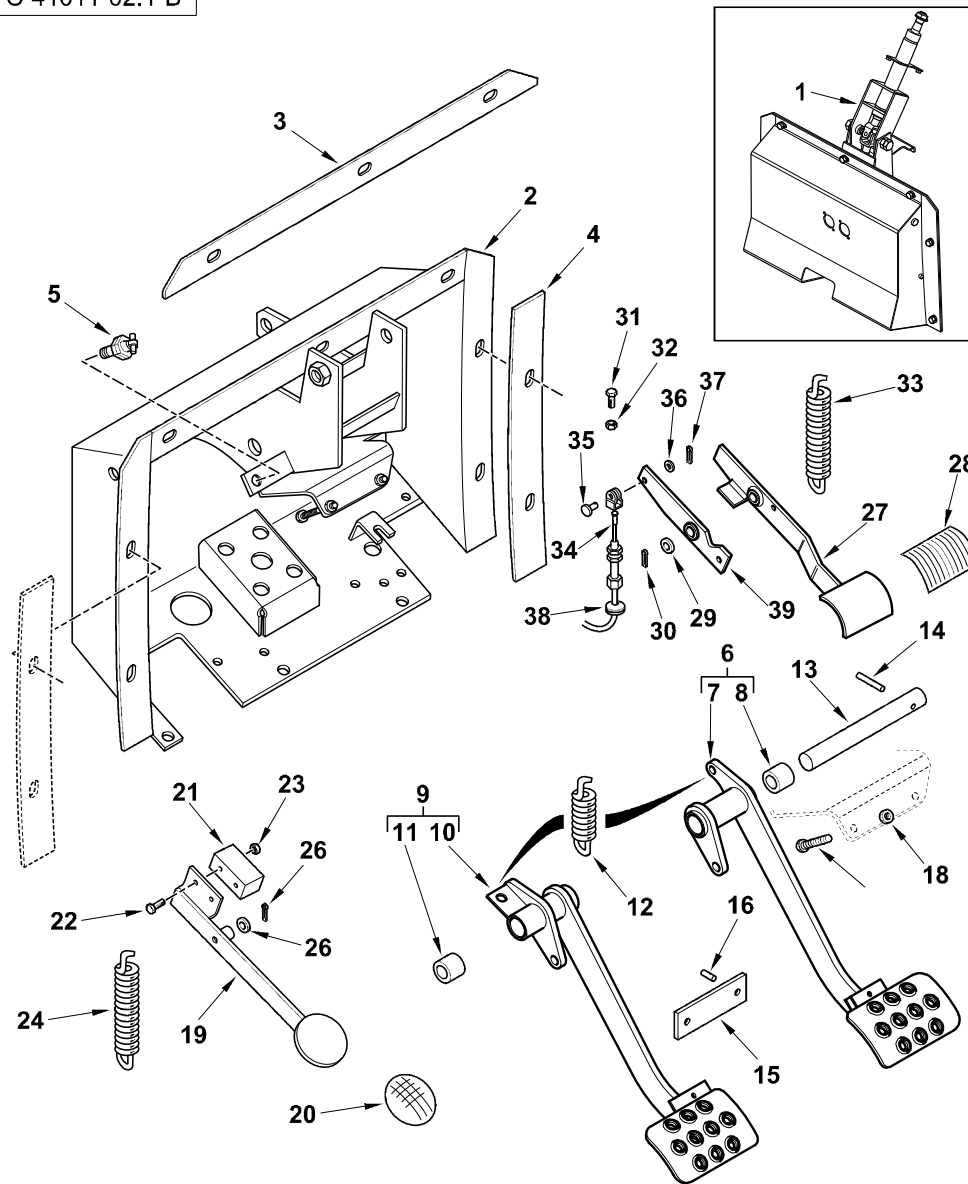
C-41011-01.1-A



Item	Part No.	Qty.	English	French	German	Spanish	Remarks
1	6111310M92	1	Control Box	Ensemble Boîte Comm.	Steuergehäuse Kpl.	Caja De Mando, Conj.	
2	339123X1	3	Bolt M8-20 Z5f	Boulon M8 X 20	Maschschraube M8	Perno	
3	385361X1	3	Washer M8 Hardened	Rondelle M8	Scheibe M8	Arandela	
4	1473135M1	2	Plug Blanking	Obturateur	Verschlussstopfen	Tapón	
5	339011X1	4	Bolt M8-45 Z5s	Boulon	Schraube	Perno	
6	385361X1	4	Washer M8 Hardened	Rondelle M8	Scheibe M8	Arandela	



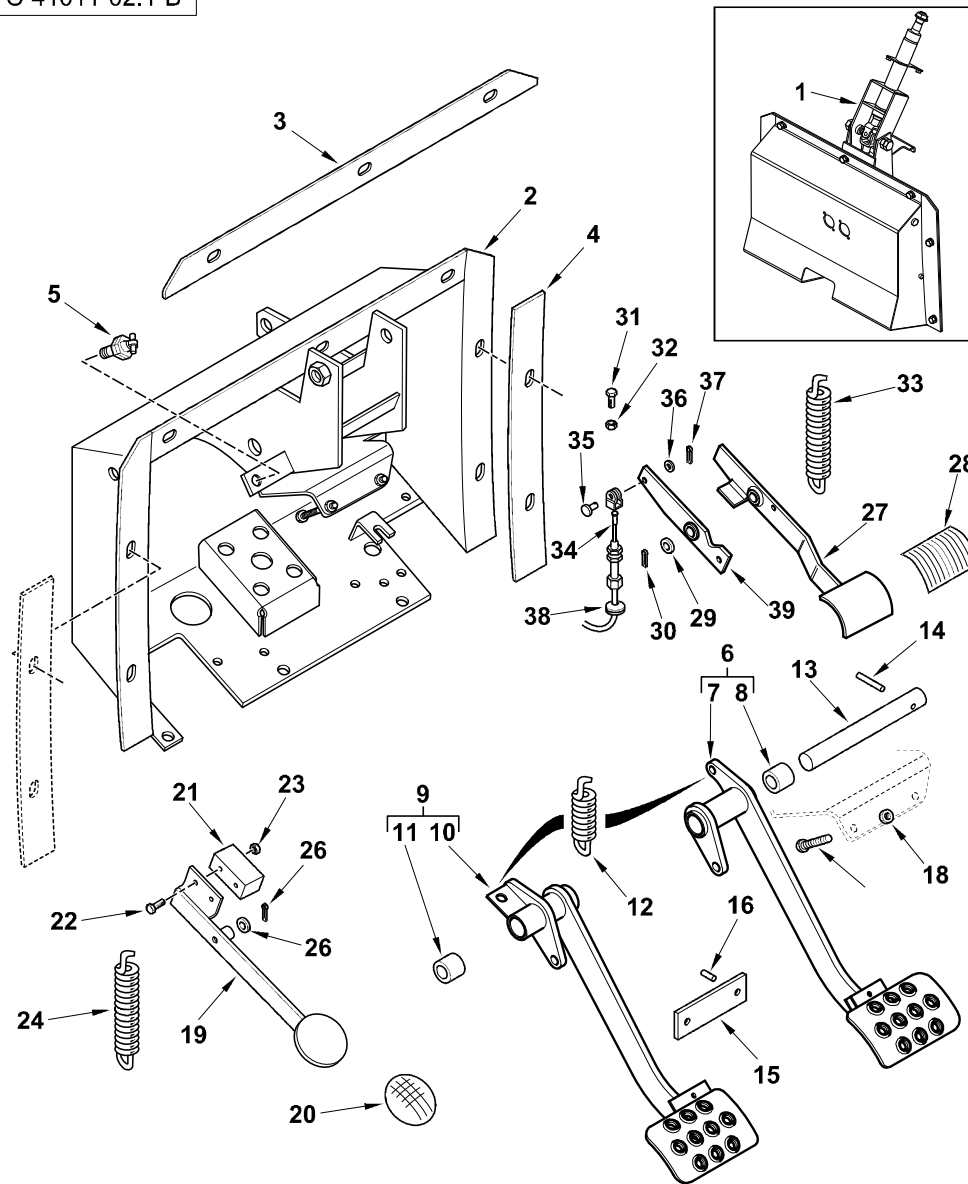
C-41011-02.1-B



Item	Part No.	Qty.	English	French	German	Spanish	Remarks
1	6111310M92	1	Control Box	Ensemble Boîte Comm.	Steuergehäuse Kpl.	Caja De Mando, Conj.	Continued
2	6110093M91	1	Control Box W/Assy	Boîte De Commande	Steuergehäuse	Caja De Mando	
3	6100819M1	1	Gasket-Control-Box	Joint	Dichtring	Junta	
4	6100820M1	2	Gasket-Control-Box	Joint	Dichtring	Junta	
5	6107867M91	1	Switch, Brake Lights - Hand And Foot	Interrupteur	Schalter	Conmutador, Conj.	
6	6110083M91	1	Pedal RH W/Assy	Ensemble De Pédale	Pedal Kpl.	Pedal, Conj.	
7	#PEDAL ASSY	1	Pedal Assy	Pedal Assy	Pedal Assy	Pedal Assy	Ref. 6
8	1469497M1	2	Bush	Douille	Büchse	Anillo	
9	6110084M92	1	Brake Peddle - LH W/A	Ensemble De Pédale	Pedal Kpl.	Pedal, Conj.	
10	#PEDAL ASSY	1	Pedal Assy	Pedal Assy	Pedal Assy	Pedal Assy	Ref. 9
11	1469497M1	2	Bush	Douille	Büchse	Anillo	
12	1680157M2	2	Spring	Siege De Ressort	Federsitz	Muelle	
13	6106570M2	1	Pin - Pivot (Control Box)	Arbre	Bolzen	Árbol	
14	339135X1	1	Pin-Spring-6 X 36	Goupille Elastique	Spannstift	Pasador	
15	6108795M1	1	Plate-Latch Brake Pedal	Verrou	Riegel	Picaporte	
16	357609X1	2	Pin Groove 5-19	Axe	Bolzen	Pasador	
17	390992X1	2	Screw - Hex Head M8 X 50 Gr 8.8 Zn	Vis	Schraube	Perno	
18	339169X1	2	Nut, Hex. - M8, Coarse	Ecrou Métrique	Mutter Metrisch	Tuerca	
19	6109888M91	1	Diff Lock Pedal W/Assy	Ensemble De Pédale	Pedal Kpl.	Pedal, Conj.	
20	6100584M1	1	Pad Anti Slip Pedal	Plaque, Anti-Dérapant	Anti-Rutschbelag	Cinta Antideslizante	
21	3518656M91	1	Microswitch (Terex Vectra)	Commutateur Ass.	Schalter Kpl	Contactar	
22	3522433M2	2	Bolt M3-35 Hex	Boulon M3 X 35	Maschschraube M3	Tornillo	
23	391216X1	2	Nut Nyloc M3	Ecrou Blocage M3	Flachmutter M3	Tuerca	
24	1470592M1	1	Spring	Siège De Ressort	Federsitz	Muelle	
25	390735X1	1	Washer M12-24-2 Z	Rondelle	Scheibe - M12	Arandela	
26	1442965X1	1	Split Pin 4 X 25	Goupille Fendue	Spaltbolzen	Pasador	
27	6111952M91	1	Pedal Throttle	Pedale	Pedal	Pedal	
28	6100585M1	1	Pad Anti Slip Pedal	Plaque, Anti-Dérapant	Anti-Rutschbelag	Cinta Antideslizante	
29	390735X1	1	Washer M12-24-2 Z	Rondelle	Scheibe - M12	Arandela	
30	1442965X1	1	Split Pin 4 X 25	Goupille Fendue	Spaltbolzen	Pasador	



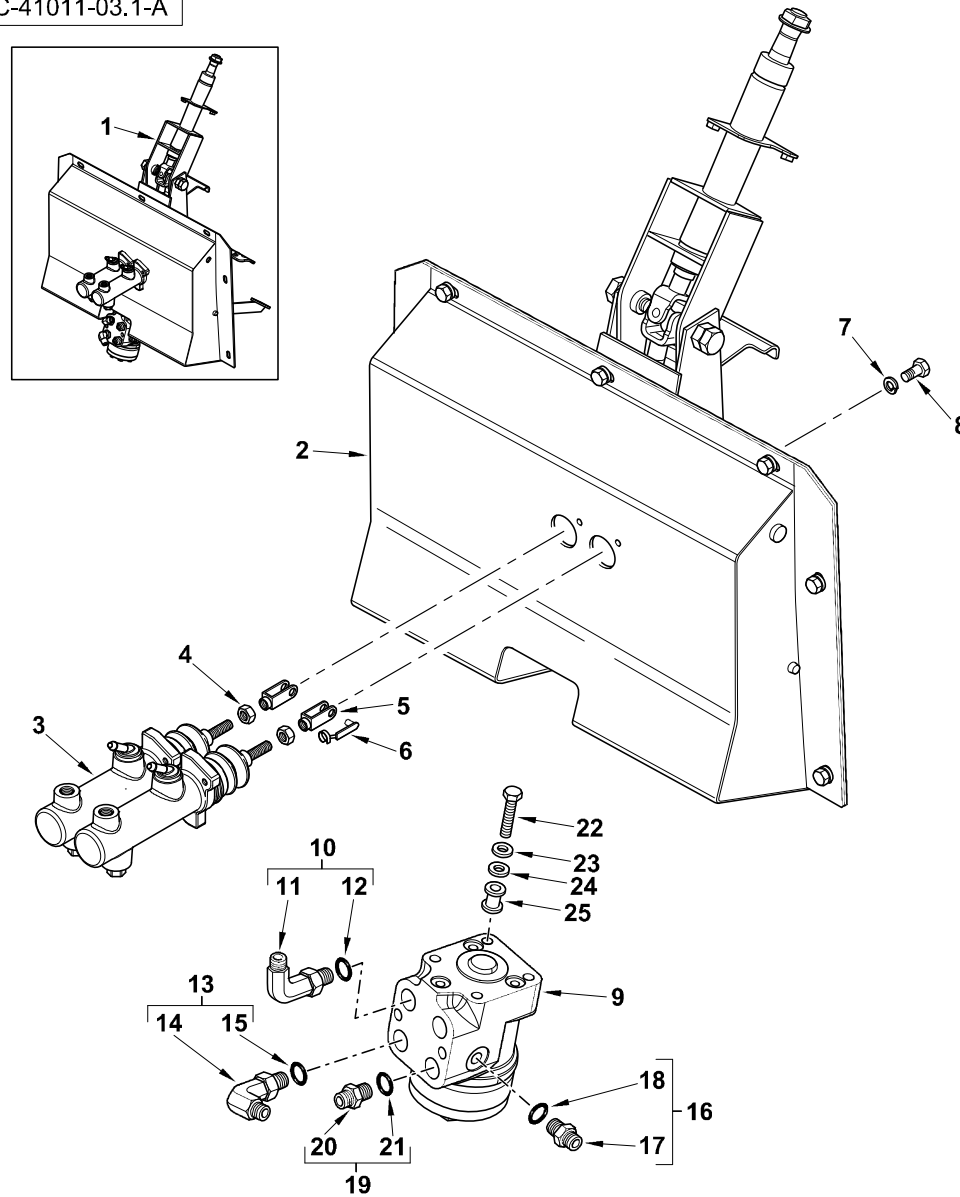
C-41011-02.1-B



Item	Part No.	Qty.	English	French	German	Spanish	Remarks
31	339337X1	2	Bolt M8-30 Z5f	Goupille	Bolzen - M8 X 30	Perno	
32	392309X1	2	Nut M8 Thin	Ecrou	Mutter	Tuerca	
33	1470592M1	1	Spring	Siège De Ressort	Federsitz	Muelle	
34	6110669M93	1	Cable Assembly - Foot Throttle	Cable Accelerat	Drosselkabel	Cable, Conj.	
35	195446M1	1	Pin Clevis 5-21	Axe De Chape	Gabelstift	Pasador	
36	353753X1	1	Washer 10-.50 -.05 Zsp	Rondelle	Scheibe	Arandela	
37	354039X1	1	Pin Cotter 1.6-13	Goupille Fendue	Splint	Pasador	
38	6102367M1	1	Grommet-Split	Passe-Fil	Tülle	Pasa Cable	
39	6111955M91	1	Lever Throttle	Levier	Hebel	Palanca	



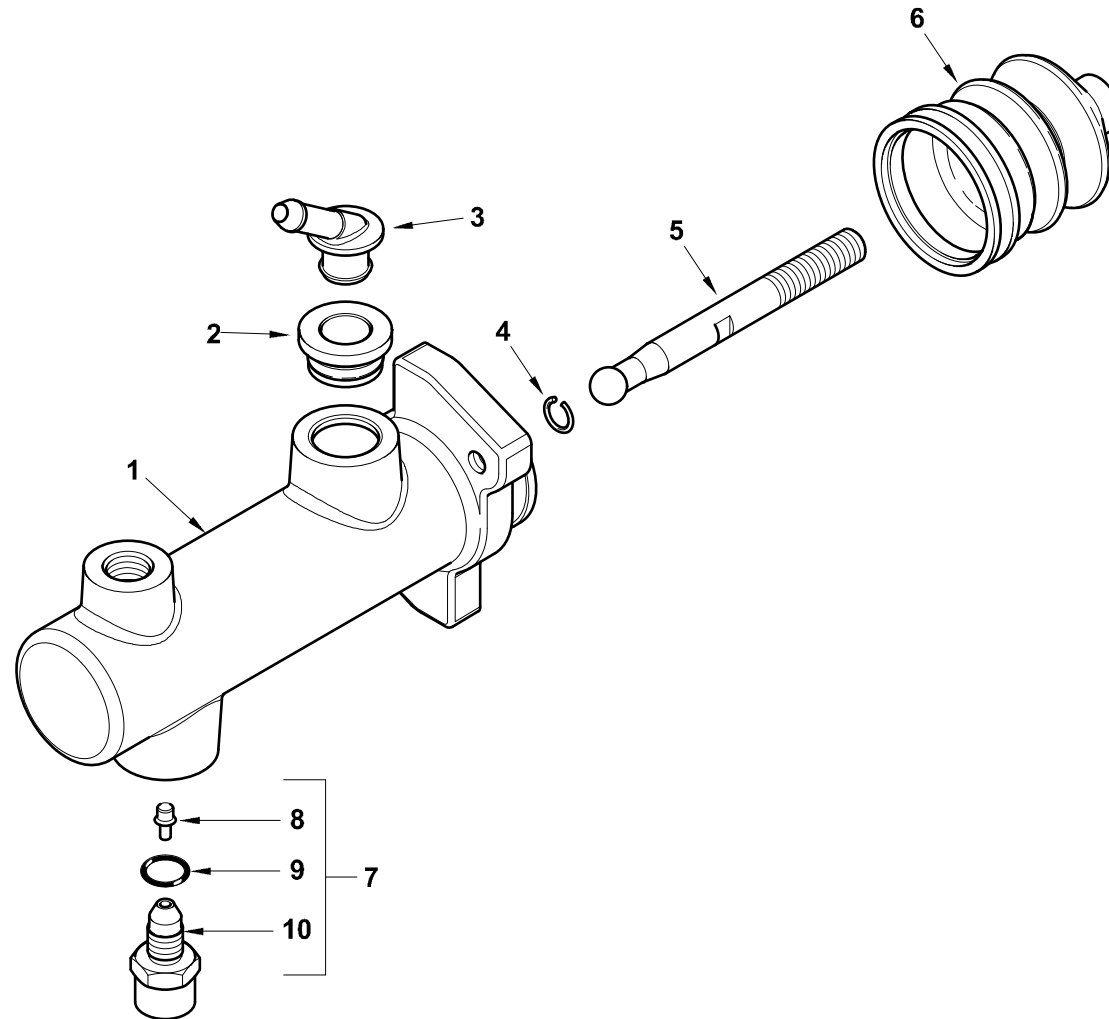
C-41011-03.1-A



Item	Part No.	Qty.	English	French	German	Spanish	Remarks
1	6111310M92	1	Control Box	Ensemble Boîte Comm.	Steuergehäuse Kpl.	Caja De Mando, Conj.	Continued
2	#CONTROL BOX	1	Control Box	Control Box	Control Box	Control Box	Ref. 1
3	6111136M92	2	Master Cylinder Assembly	Cylindre Frein	Bremszylinder	Cilindro Principal	Service Brakes 41011c04.1 1
4	3009694X1	2	Nut M10 Z1 Thin	Ecrou	Mutter M10	Tuerca De Retención	
5	3521833M1	2	Clevis	Chape	Gabelverbindung	Brida	
6	3521834M1	2	Pin Clevis	Axe De Chape	Gabelstift	Eje De Brida	
7	339 374X1	4	Washer, Lock	Rondelle De Blocage	Sicherungsscheibe	Arandela De Freno	
8	339 124X1	4	Bolt	Boulon	Maschinenschraube	Perno	
9	6109844M91	1	Orbitrol Assy (Rexroth)	Pompe, Direction	Lenkorbit	Bomba, Dirección	Steering System
10	364415X91	1	Elbow	Equerre	Winkelstück	Codo	
11	#ELBOW	1	Elbow	Elbow	Elbow	Elbow	Ref. 10
12	#O-RING	1	O-Ring	Joint Torique	O-Ring	Junta Tórica	Ref. 10
13	358762X91	1	Elbow, 90 Degree - Hydraulic	Coude	Winkelstück	Codo	
14	#ELBOW	1	Elbow	Elbow	Elbow	Elbow	Ref. 13
15	831497M1	1	O-Ring	Joint Torique	O-Ring	Junta De Tipo O	
16	358741X91	1	Union, Hydr.	Raccord	Verschraubung	Racor	
17	#UNION	1	Union	Union	Union	Union	Ref. 16
18	831495M1	1	O-Ring	Joint Torique	O-Ring	Junta De Tipo O	
19	360202X91	1	Connector 9/16 X 3/4	Adaptateur	Reduzienippel	Unión	
20	#UNION	1	Union	Union	Union	Union	Ref. 19
21	1852568M1	1	O-Ring	Joint Torique	O-Ring	Junta De Tipo O	
22	3009494X1	4	Bolt Hex - M10 X 35, Coarse	Boulon - M10 X 35	Maschschraube M10	Tornillo	
23	339376X1	4	Washer M10-18-2 Zsp	Rondelle Frein	Federring	Arandela De Freno	
24	390597X1	4	Washer, Large - M10	Rondelle	Scheible	Arandela	
25	3507736M1	4	Mount Centre Bond	Montant	Pfosten	Montante	



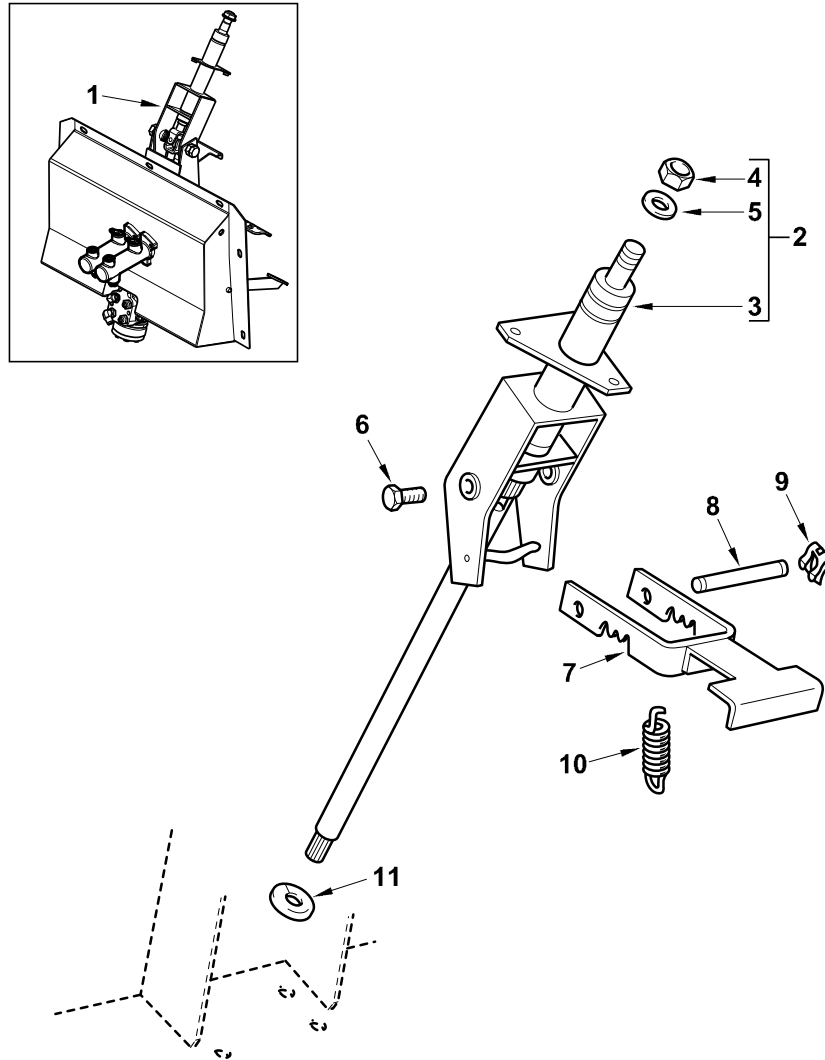
C-41011-04.1-C



Item	Part No.	Qty.	English	French	German	Spanish	Remarks
1	6111136M92	1	Master Cylinder Assembly	Cylindre Frein	Bremszylinder	Cilindro Principal	41011c03.1 3
2	6194501M1	1	Grommet	Passe Fil	Gummituelle	Pasa Cable	
3	6194502M1	1	Adaptor	Adaptateur	Reduziernippel	Adaptador	
4	6194505M1	1	Split Ring	Anneau Fendu	Spaltring	Anillo Partido	
5	6194504M1	1	Rod	Tringle	Stange	Vástago	
6	6194503M1	1	Gaitor	Manchette	Manschette	Funda	
7	6194723M91	1	Repair Kit	Jeu Reparation	Reparatursatz	Kit De Válvula De Alivio	
8	#NEEDLE	1	Needle	Needle	Needle	Needle	Ref. 7
9	#O-RING	1	O-Ring	Joint Torique	O-Ring	Junta Tórica	Ref. 7
10	#VALVE BODY	1	Valve Body	Corps De Valve	Ventilkörper	Cuerpo De Válvula	Ref. 7

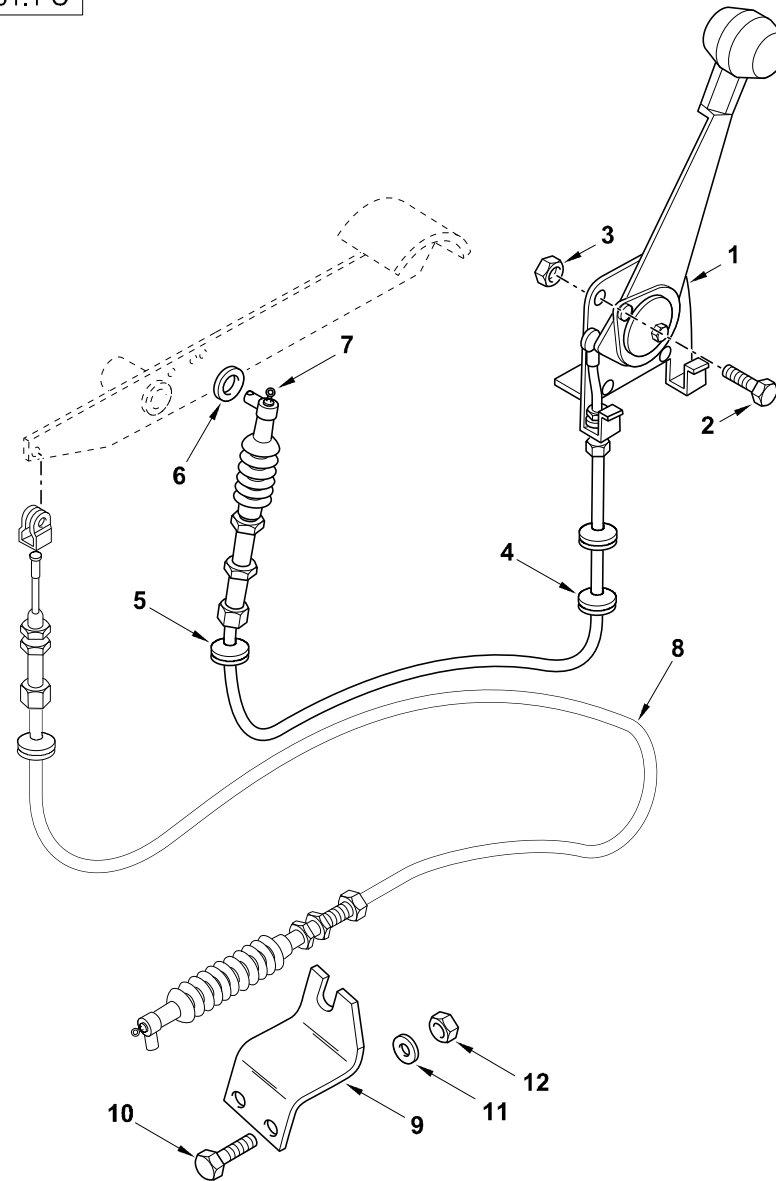


C-41011-05.1-A



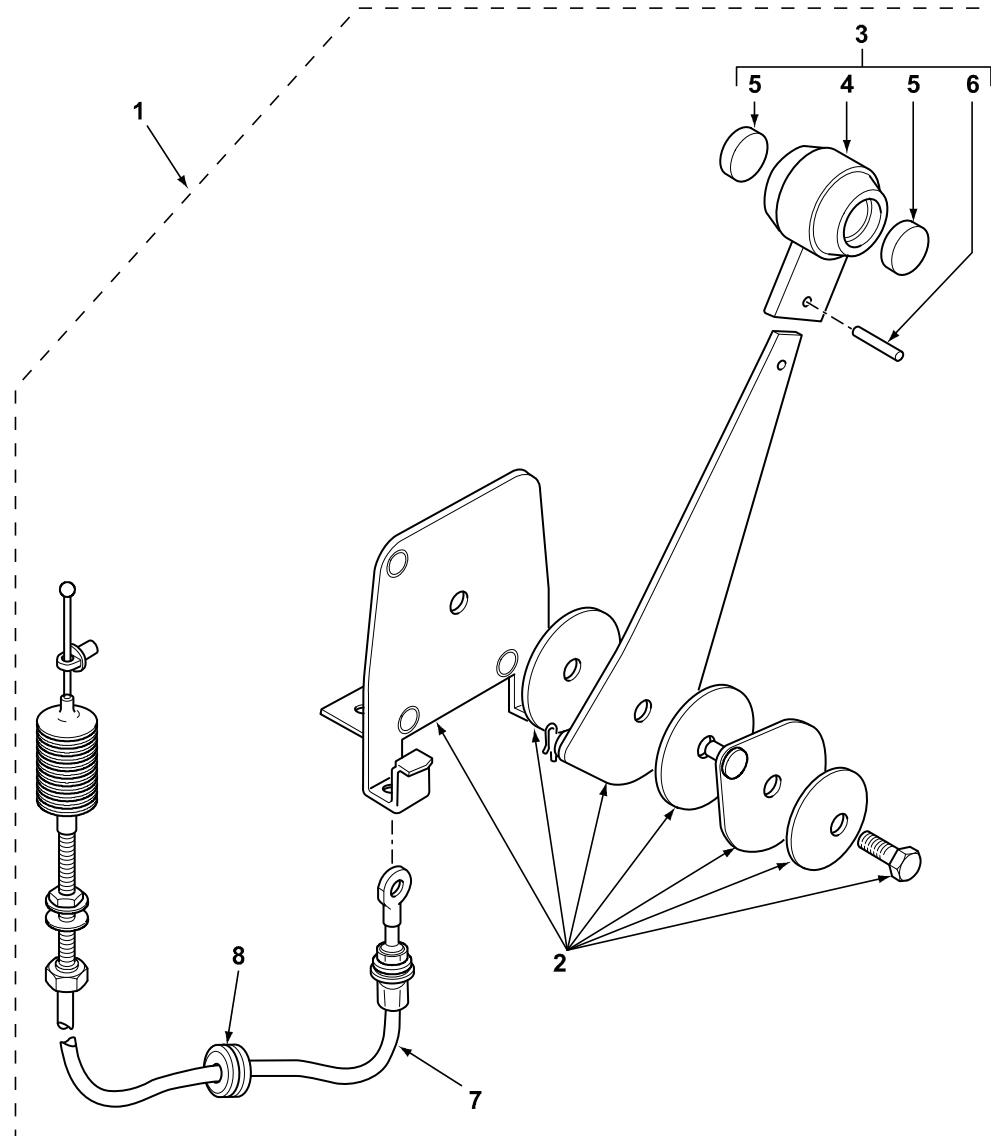
Item	Part No.	Qty.	English	French	German	Spanish	Remarks
1	6111310M92	1	Control Box	Ensemble Boîte Comm.	Steuergehäuse Kpl.	Caja De Mando, Conj.	Continued
2	6109254M91	1	Steering Column W/Assy	Colonne De Direction	Lenksäule	Columna, Dirección	
3	#SHAFT	1	Shaft	Shaft	Shaft	Shaft	Ref. 2
4	392913X1	1	Washer	Rondelle	Scheibe	Arandela	
5	1441246X1	1	Nut M20 Z2 Thin	Ecrou	Mutter	Tuerca	
6	1611049M1	2	Pin Hex HD Special	Axe	Bolzen	Tornillo	
7	6101155M93	1	Bracket-Steering Lock -W/Assy	Patte De Fixation	Halter	Pata De Fijación	
8	3521918M2	1	Steering Shaft	Arbre De Direction	Lenkradwelle	Pasador	
9	3521461M1	2	Fastener Safety M10	Circlip Ressort	Klemmfeder	Clip	
10	3522399M1	1	Spring Extension	Siege De Ressort	Federsitz	Muelle	
11	6110526M1	1	Seal - Control Box	Joint	Dichtung	Junta	

C-42003-01.1-C



Item	Part No.	Qty.	English	French	German	Spanish	Remarks
1	6100620M91	1	Hand Throttle Assy	Ensemble Commande	Steuerung Kpl.	Mando, Conj.	42003c02.1 1
2	3009667X1	4	Screw M5x25lg Csk	Vis	Schraube	Tornillo	
3	390995X1	4	Nut M5 Z5 Norm	Ecrou	Mutter	Tuerca	
4	6101552M1	1	Grommet-Split	Passe-Fil	Tülle	Pasa Cable	
5	6102367M1	1	Grommet-Split	Passe-Fil	Tülle	Pasa Cable	
6	390971X1	1	Washer M6-12-1 Zwl	Rondelle - M6	Scheibe - M6	Arandela	
7	3517074M1	2	Pin Hair Internal	Goupille	Sicherungsstift	Pasador	
8	#CABLE	1	Cable	Cable	Cable	Cable	41010c02.1 34
9	6109751M1	1	Bracket - Throttle Cable	Patte Fixation	Halter	Pata De Fijación	
10	339804X1	2	Bolt, Hex, - M6 X 25	Goupille	Maschschrb Metr - M6	Tornillo	
11	390971X1	2	Washer M6-12-1 Zwl	Rondelle - M6	Scheibe - M6	Arandela	
12	1441500X1	2	Nut M6 Z5 Nyloc	Ecrou	Flachmutter M6	Tuerca De Retención	

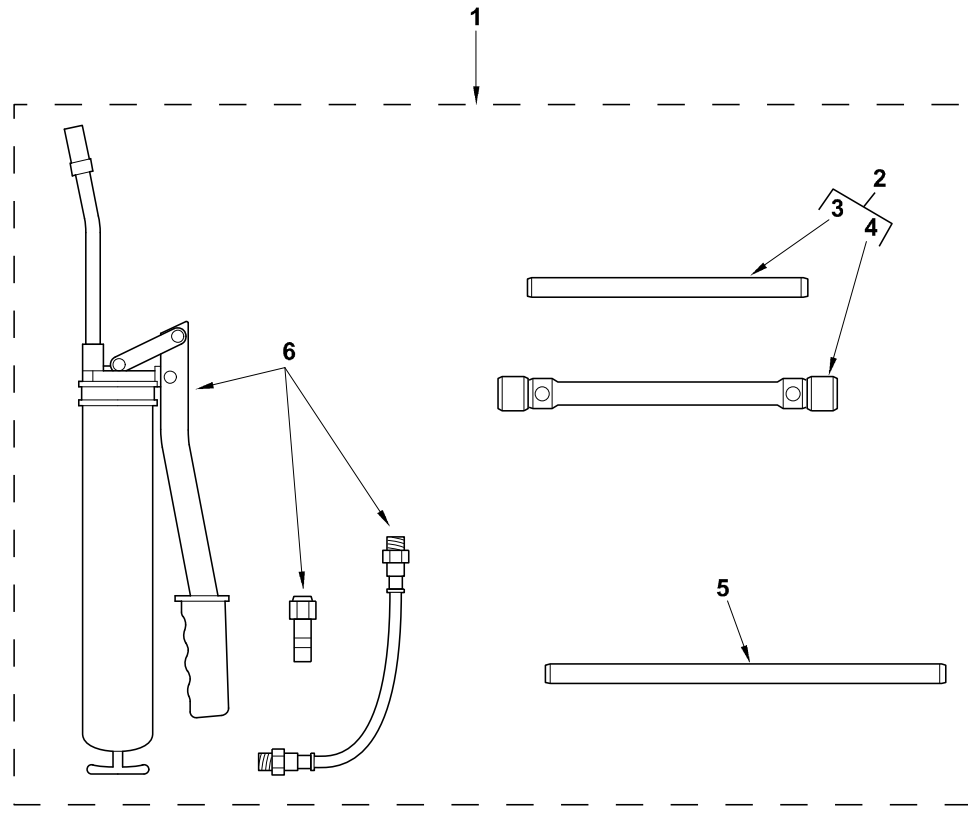
C-42003-02.1-A



Item	Part No.	Qty.	English	French	German	Spanish	Remarks
1	6100620M91	1	Hand Throttle Assy	Ensemble Commande	Steuerung Kpl.	Mando, Conj.	42003c01.1 1
2	6190736M91	1	Lever Control	Levier De Commande	Bedienhebel	Palanca De Mando	
3	6190737M91	1	Package Service	Ensemble De Poignée	Handgriff Kpl.	Empuñadura, Conj.	
4	#HANDLE	1	Handle	Handle	Handle	Handle	Ref. 3
5	#COVER	2	Cover	Cover	Cover	Cover	Ref. 3
6	#PIN	1	Pin	Goupille	Bolzen	Pasador	Ref. 3
7	6190738M91	1	Cable	Câble	Kabel	Cable	
8	3522134M2	1	Grommet	Passe-Fil	Tuelle	Pasa Cable	



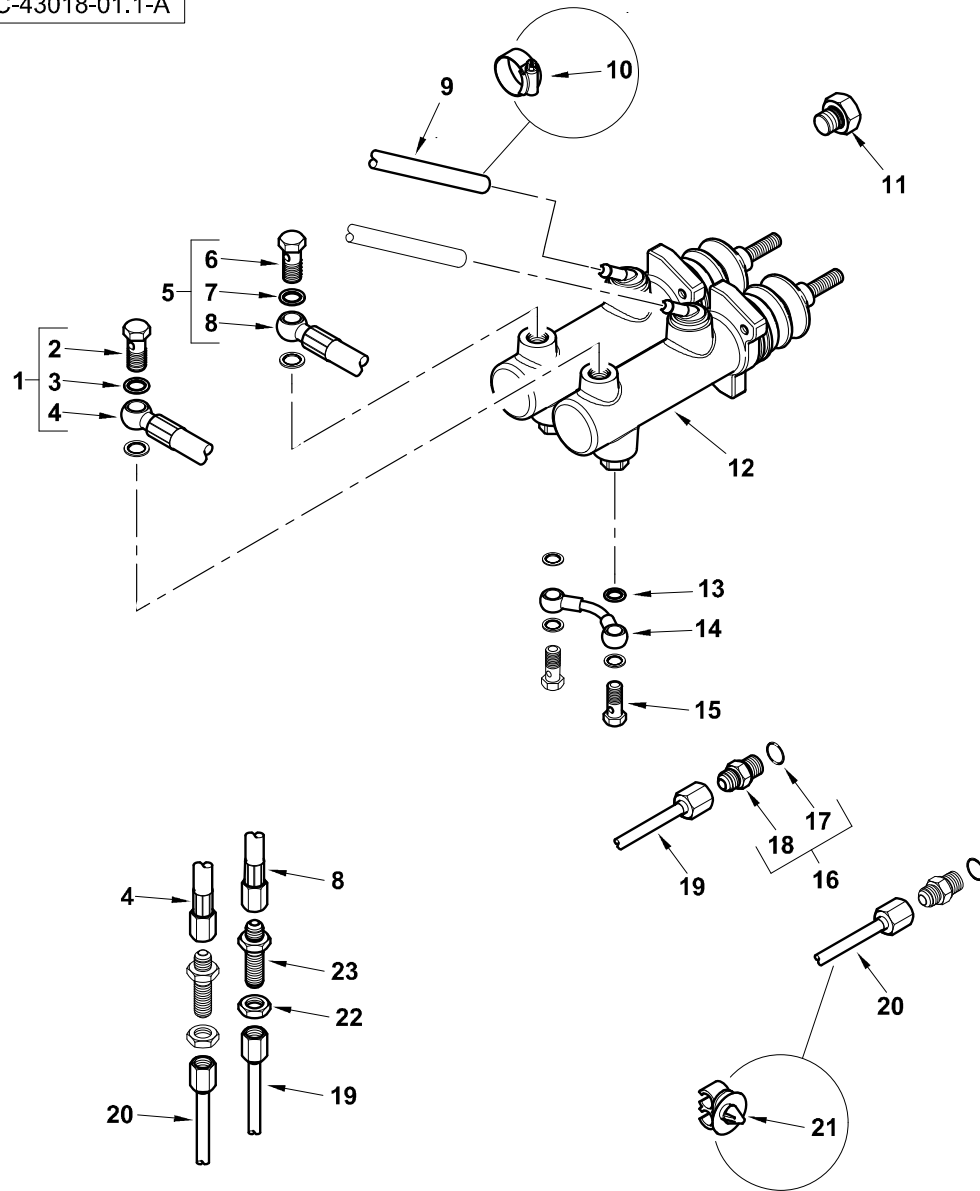
C-89001-01.1-B



Item	Part No.	Qty.	English	French	German	Spanish	Remarks
1	6106273M94	1	Kit - Wheelbrace + Greasegun	Kit D'Outillage	Werkzeugsatz	Herramientas	
2	6106272M92	1	Wheel Nut Spanner & Tommy Bar	Clé	Schrschlüssel	Llave	
3	#BAR	1	Bar	Bar	Bar	Bar	Ref.2
4	#WRENCH	1	Wrench	Wrench	Wrench	Wrench	Ref.2
5	6108796M1	1	Distance Sleeve	Entretoise	Distanzrohr	Distance Sleeve	
6	T102072	1	Grease Gun & Adaptors	Pompe A Graisse	Fettpresse	Bomba De Engrase	



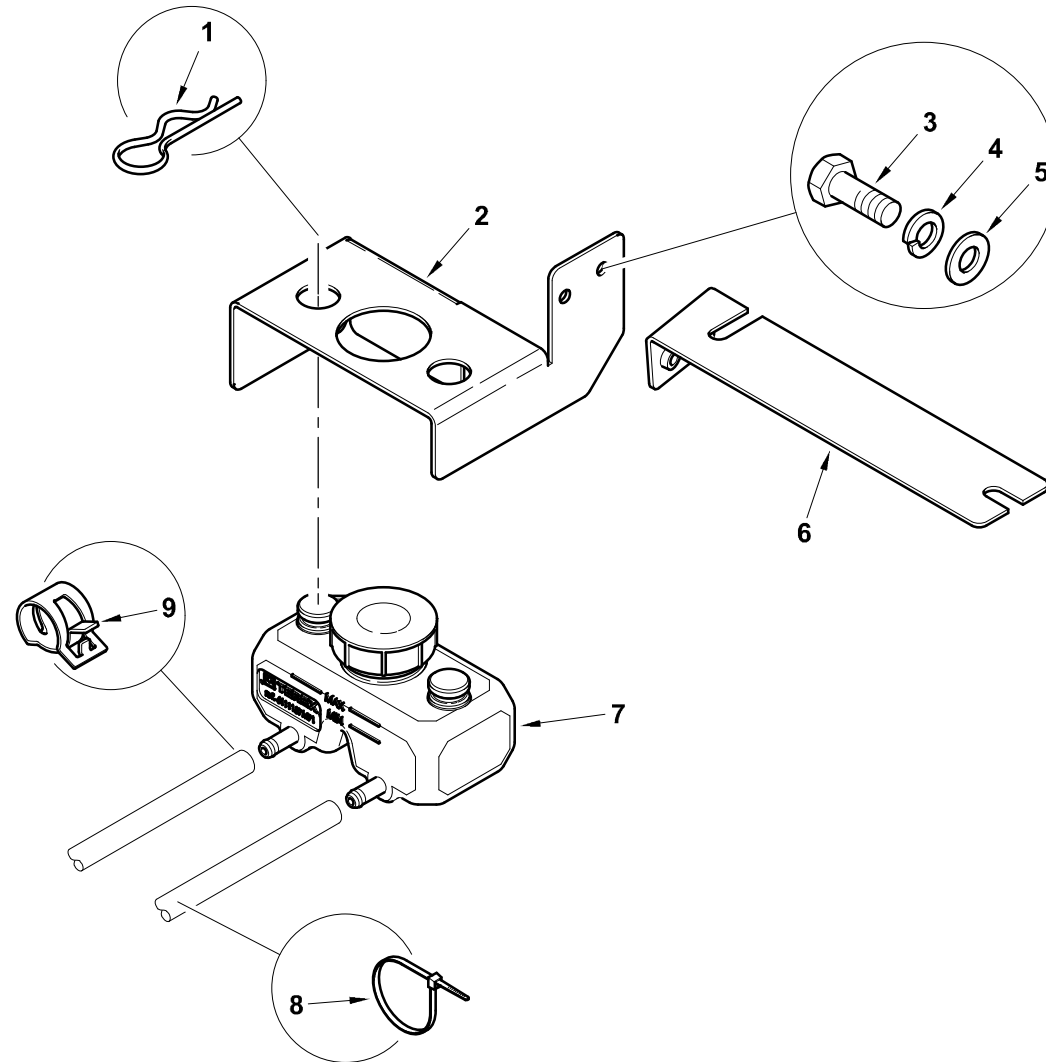
C-43018-01.1-A



Item	Part No.	Qty.	English	French	German	Spanish	Remarks
1	6110857M91	1	Hose Assy Brakes LH	Ensemble Durit	Schlauch Kpl	Flexible, Conj.	
2	#BOLT	1	Bolt	Boulon	Schraubbolzen	Perno	Ref. 1
3	#WASHER	2	Washer	Rondelle	Unterlegscheibe	Arandela	Ref. 1
4	#HOSE	1	Hose	Hose	Hose	Hose	Ref. 1
5	6110858M91	1	Hose Assy Brakes RH	Ensemble Durit	Schlauch Kpl	Flexible, Conj.	
6	#BOLT	1	Bolt	Boulon	Schraubbolzen	Perno	Ref. 5
7	#WASHER	2	Washer	Rondelle	Unterlegscheibe	Arandela	Ref. 5
8	#HOSE	1	Hose	Hose	Hose	Hose	Ref. 5
9	6111156M1	2	Hose	Durit	Schlauch	Tubo Flexible	
10	3517 409M1	4	Clip - Jubilee	Clip - Jubilee	Schlauchschelle	Clip - Jubilee	
11	835 087M91	2	Bung	Bonde	Spund	Casquillo	
12	6111136M92	2	Master Cylinder Assembly	Cylindre Frein	Bremszylinder	Cilindro Principal	41011c04.1
13	6111149M1	4	Washer M10 Copper	Rondelle	Unterlegscheibe	Arandela, Cobre	
14	6111109M91	1	Pipe Assembly	Tuyo	Leitung Kpl	Tubo, Conj.	
15	6111148M1	2	Bolt - Banjo M10 X1 (20lg)	Vis Banjo	Hohlschraube	Perno De Banjo	
16	6106477M91	2	Connector-Straight	Connexion Ass.	Doppelnippel	Conexión, Conj.	
17	831495M1	1	O-Ring	Joint Torique	O-Ring	Junta De Tipo O	
18	#CONNECTOR	1	Connector	Connector	Connector	Connector	Ref. 16
19	6109188M92	1	Tube Assy 2ws RH	Ensemble Tube	Rohr Kpl	Conjunto De Tubería	
20	6109186M92	1	Tube Assy 2ws LH	Tuyauterie	Rohr Kpl	Conjunto De Tubería	
21	6106274M1	2	Pipe Clip	Collier Pour Tuyaux	Rohrschelle	Clip	
22	356613X1	2	Nut- 1/2-20 Unf Bulkhead	Ecrou Unf	Mutter Unf	Tuerca	
23	356265X1	2	Union-Bulkhead Tube	Connecteur	Doppelnippel	Conector	



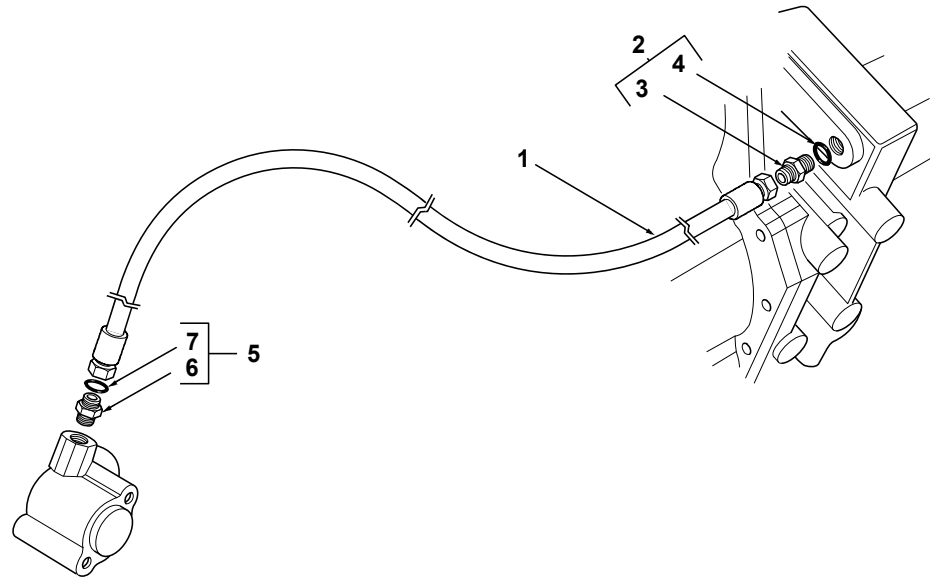
C-43018-02.1-B



Item	Part No.	Qty.	English	French	German	Spanish	Remarks
1	6111176M1	2	Clip - Reservoir	Circlip	Schelle	Clip	
2	6111132M1	1	Bracket - Reservoir	Support Fixation	Haltearm	Pata De Fijación	
3	339560X1	2	Bolt - M6 X 16mm (Hex.)	Boulon M6 X 16	Maschschraube - M6	Tornillo	
4	1442896X1	2	Washer - M6 (Spring)	Rondelle - M6	Unterlegscheibe - M6	Arandela De Abanico	
5	390971X1	2	Washer M6-12-1 Zwel	Rondelle - M6	Scheibe - M6	Arandela	
6	6111133M91	1	Bracket Assembly	Ensemble Support	Halter Kpl	Cuchara, Conj.	
7	6111157M91	1	Reservoir	Recipient	Speicher	Depósito	
8	6111176M1	2	Clip - Reservoir	Circlip	Schelle	Clip	
9	6111944M1	2	Clamp - Hose	Collier	Halteschelle	Clip	



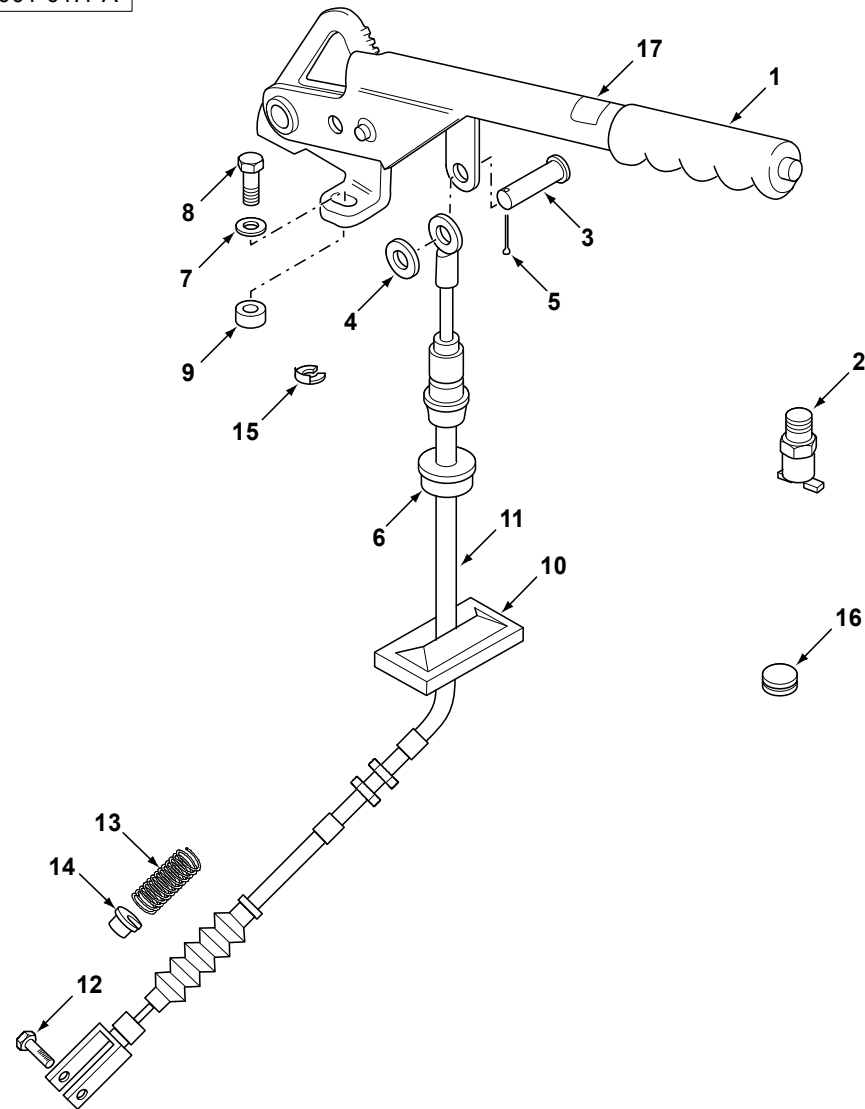
C-44004-01.1-A



Item	Part No.	Qty.	English	French	German	Spanish	Remarks
1	6109246M91	1	Hose Assy - Orb To S-Cyl RH	Flexible Ass.	Schlauch Kpl	Flexible, Conj.	
2	835091M91	1	Connector 9/16 Unf	Borne	Doppelnippel	Unión	
3	#UNION	1	Union	Union	Union	Union	Ref. 2
4	831452M1	1	O Ring (Pack Of 10)	Joint Torique	O Ring	Junta De Tipo O	
5	357197X91	1	Elbow & O Ring	Coude	Kniestück, 90°	Codo, 90°	
6	#ELBOW	1	Elbow	Elbow	Elbow	Elbow	Ref. 5
7	831452M1	1	O Ring (Pack Of 10)	Joint Torique	O Ring	Junta De Tipo O	



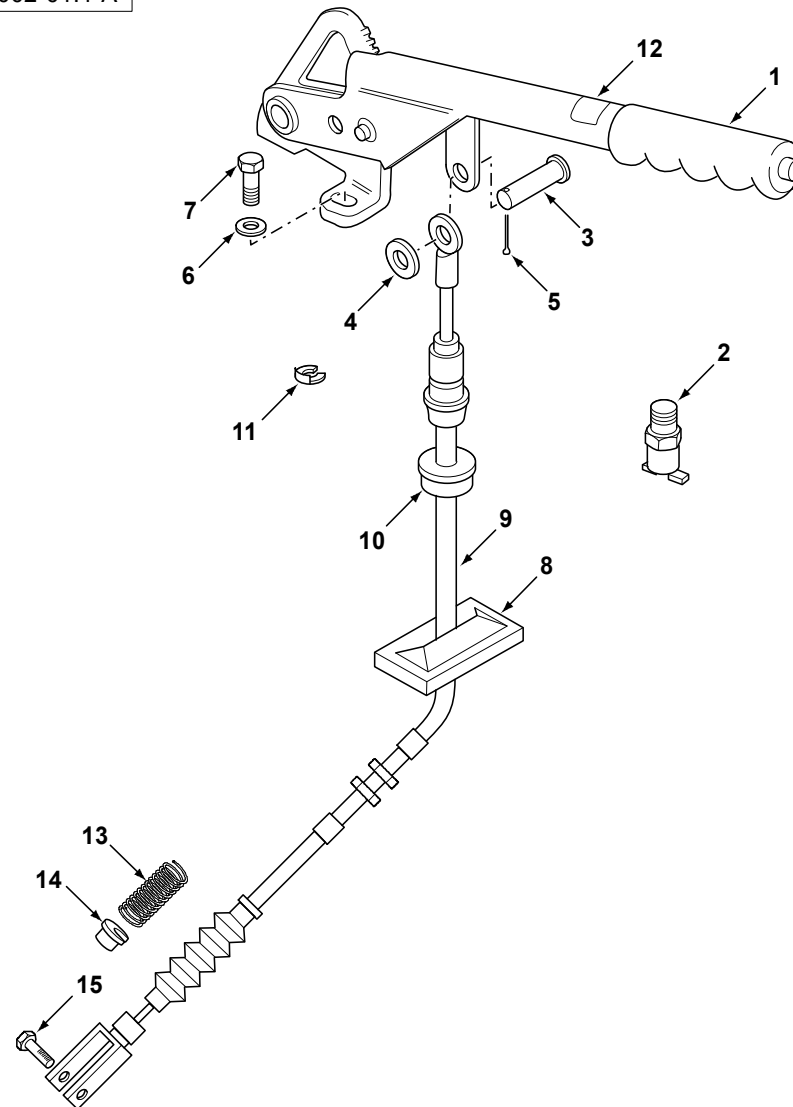
C-45001-01.1-A



Item	Part No.	Qty.	English	French	German	Spanish	Remarks
1	3519890M91	1	H/Brake 4ws 343 Long	Frein À Main	Handbremse	Palanca De Freno	
2	6107867M91	1	Switch, Brake Lights - Hand And Foot	Interrupteur	Schalter	Conmutador, Conj.	
3	376401X1	1	Pin Clevis 3/8x1	Axe De Chape	Gabelstift	Pasador	
4	353756X1	1	Washer 3/8-.81-.06zsp	Rondelle	Scheibe	Arandela	
5	1442992X1	1	Pin Cotter 3-16	Goupille Fendue	Spaltbolzen	Pasador	
6	6102367M1	1	Grommet-Split	Passe-Fil	Tülle	Pasa Cable	
7	390734X1	2	Washer M10-21-2 Z	Rondelle - M10	Unterlegscheibe	Arandela	
8	3009492X1	2	Bolt - Hex. M10 X 25	Boulon M10 X 25	Schraube M10 X 25	Tornillo	
9	3516293M1	2	Spacer H/Brake Lever	Entretoise	Distanzstück	Traviesa	
10	6006361M2	1	Grommet	Passe-Fil	Tülle	Pasa Cable	
11	6107032M91	1	Cable Assy Handbrake	Câble Fr.À Main	Handbremsekabel	Cable, Conj.	
12	6107031M1	1	Pin-Spring	Axe	Bolzen	Pasador	
13	3518052M2	1	Spring	Siège De Ressort	Federsitz	Muelle	
14	3518051M1	1	Retainer-Spring	Arrêtoir	Befestigungsteil	Retén	
15	1696650M1	1	Clip Retaining	Clip	Klips	Anillo De Resorte	
16	3516323M1	2	Grommet Blind	Passe-Fil	Tülle	Pasa Cable	
17	3516652M1	1	Decal Handbrake	Adhésif	Aufkleber	Adhesivo	



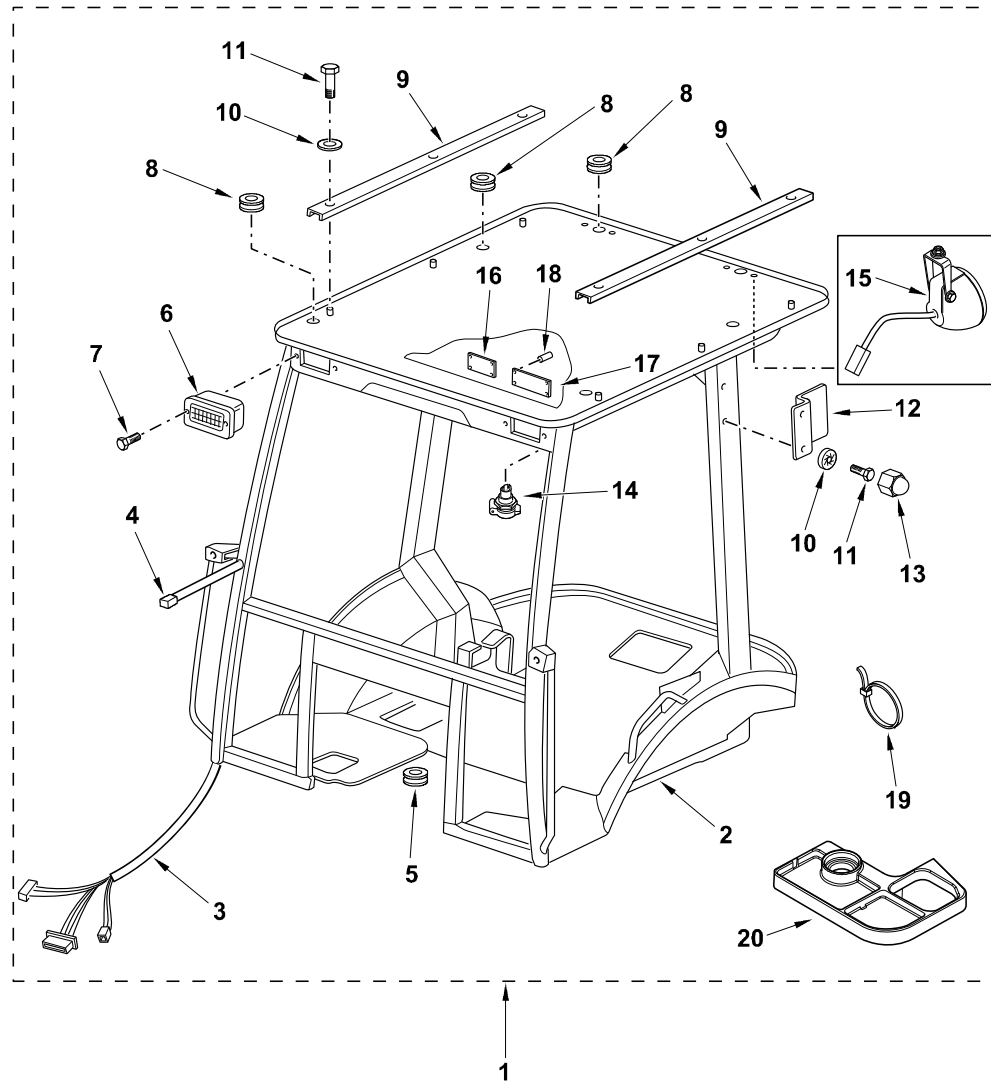
C-45002-01.1-A



Item	Part No.	Qty.	English	French	German	Spanish	Remarks
1	3519890M91	1	H/Brake 4ws 343 Long	Frein À Main	Handbremse	Palanca De Freno	
2	6107867M91	1	Switch, Brake Lights - Hand And Foot	Interrupteur	Schalter	Conmutador, Conj.	
3	376401X1	1	Pin Clevis 3/8x1	Axe De Chape	Gabelstift	Pasador	
4	353756X1	1	Washer 3/8-.81-.06zsp	Rondelle	Scheibe	Arandela	
5	1442992X1	1	Pin Cotter 3-16	Goupille Fendue	Spaltbolzen	Pasador	
6	390734X1	2	Washer M10-21-2 Z	Rondelle - M10	Unterlegscheibe	Arandela	
7	3009492X1	2	Bolt - Hex. M10 X 25	Boulon M10 X 25	Schraube M10 X 25	Tornillo	
8	6006361M2	1	Grommet	Passe-Fil	Tülle	Pasa Cable	
9	6107032M91	1	Cable Assy Handbrake	Câble Fr.À Main	Handbremsekabel	Cable, Conj.	
10	6102367M1	1	Grommet-Split	Passe-Fil	Tülle	Pasa Cable	
11	1696650M1	1	Clip Retaining	Clip	Klips	Anillo De Resorte	
12	3516652M1	1	Decal Handbrake	Adhésif	Aufkleber	Adhesivo	
13	3518052M2	1	Spring	Siège De Ressort	Federsitz	Muelle	
14	3518051M1	1	Retainer-Spring	Arrêteoir	Befestigungsteil	Retén	
15	6107031M1	1	Pin-Spring	Axe	Bolzen	Pasador	



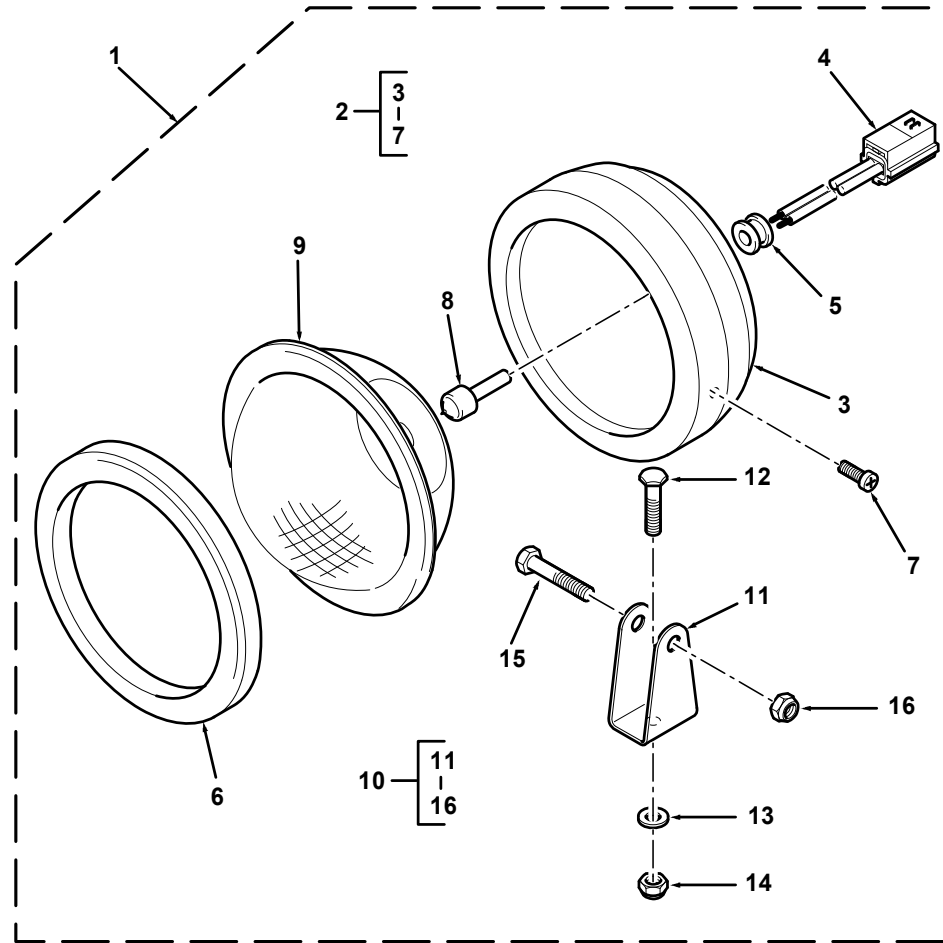
C-46003-01.1-B



Item	Part No.	Qty.	English	French	German	Spanish	Remarks
1	6097002M93	1	ROPS Assy 4 Post	Ensemble De ROPS	Überrollschutz Kpl.	Rops, Conj.	
2	6097003M93	1	ROPS Frame 4 Post	Ensemble De Bâti	Rahmen Kpl.	Bastidor, Conj.	
3	6097005M91	1	Harness 4 Post ROPS	Ensemble De Faisceau	Kabelstrang Kpl.	Haz, Conj.	
4	6101354M91	2	Harness Headlight	Faisceau	Kabelstrang	Haz	
5	6099579M1	2	Grommet	Passe-Fil	Tülle	Pasa Cable	
6	6097004M91	2	Work Light Front 4 Post ROPS	Ensemble Phare Travail	Arbeitslicht Kpl.	Faro De Trabajo, Conj.	
7	6099456M1	4	Screw 4,2x45 (Din 7981ch)	Vis	Schraube	Tornillo	
8	6099447M1	6	Grommet 22x28x4	Passe-Fil	Tülle	Pasa Cable	
9	6097006M1	2	Channel Harness 4 Post ROPS	Canal	Kanal	Canal	
10	6097008M1	10	Washer M8	Rondelle	Scheibe	Arandela	
11	339123X1	10	Bolt M8-20 Z5f	Boulon M8 X 20	Maschschraube M8	Perno	
12	6097015M1	2	Bracket Rear Light	Patte Fixation	Halter	Soporte	
13	6097009M1	4	Cap Nut M8	Chapeau	Kappe	Sombrero	
14	3517621M91	2	Socket Auxiliary	Corps Rotule	Steckdose 12v	Toma De Corriente	
15	6110678M91	2	Work Lamp - Rop's	Ensemble Phare Travail	Arbeitslicht Kpl.	Faro De Trabajo, Conj.	46003c02.1 1
16	6002676M1	1	Plate Warning	Plaque Avertissement	Warnschild	Placa De Advertencia	
17	#PLATE, APPROVAL	1	Plate, Approval	Plate, Approval	Plate, Approval	Plate, Approval	Ref. 1
18	519566M1	8	Rivet No. 43	Rivet	Niete	Remache	
19	6099460M1	0	Cable Tie	Attache Câble	Kabelbinder	Enlace De Cable	
20	6108206M3	1	Mat - Removable	Tapis	Matte	Tapete	

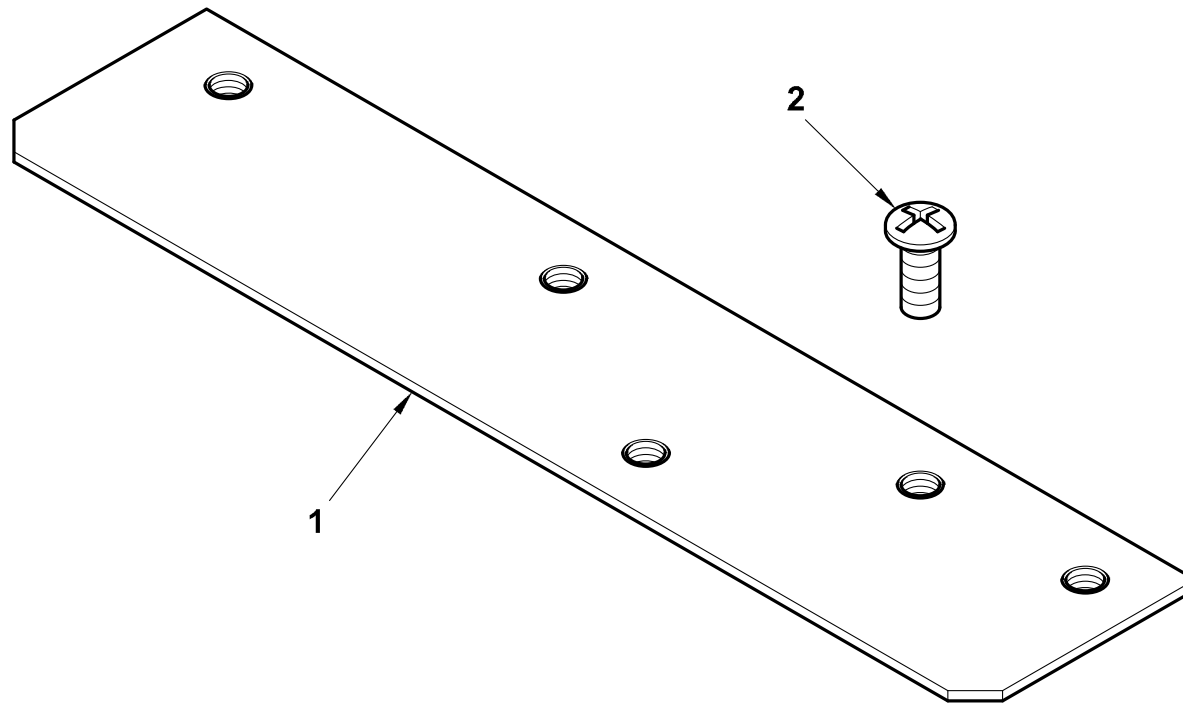


C-46003-02.1-A



Item	Part No.	Qty.	English	French	German	Spanish	Remarks
1	6110678M91	2	Work Lamp - Rop's	Ensemble Phare Travail	Arbeitslicht Kpl.	Faro De Trabajo, Conj.	46003c01.1 15
2	6194299M91	1	Kit - Worklamp Parts	Lot De Pièces	Lampensatz	Juego De Piezas	
3	#BODY	1	Body	Body	Body	Body	Ref. 2
4	#HARNESS	1	Harness	Harness	Harness	Harness	Ref. 2
5	#GROMMET	1	Grommet	Grommet	Grommet	Grommet	Ref. 2
6	#RIM	1	Rim	Rim	Rim	Rim	Ref. 2
7	#SCREW	1	Screw	Vis	Schraube	Tornillo	Ref. 2
8	3523689M1	1	Bulb 12v.55w	Lampe	Lampe	Lámpara	
9	6194002M91	1	Light Unit Without Bulb	Catadioptré	Rückstrahler	Re•ector	
10	6194003M91	1	Kit - Bracket + Hardware (Worklamp)	Patte Fixation	Halter	Juego De Piezas	
11	#BRACKET	1	Bracket	Bracket	Bracket	Bracket	Ref. 10
12	#BOLT	1	Bolt	Boulon	Schraubbolzen	Perno	Ref. 10
13	#WASHER	1	Washer	Rondelle	Unterlegscheibe	Arandela	Ref. 10
14	#NUT	1	Nut	Ecrou	Mutter	Tuerca	Ref. 10
15	#BOLT	1	Bolt	Boulon	Schraubbolzen	Perno	Ref. 10
16	#NUT	1	Nut	Ecrou	Mutter	Tuerca	Ref. 10

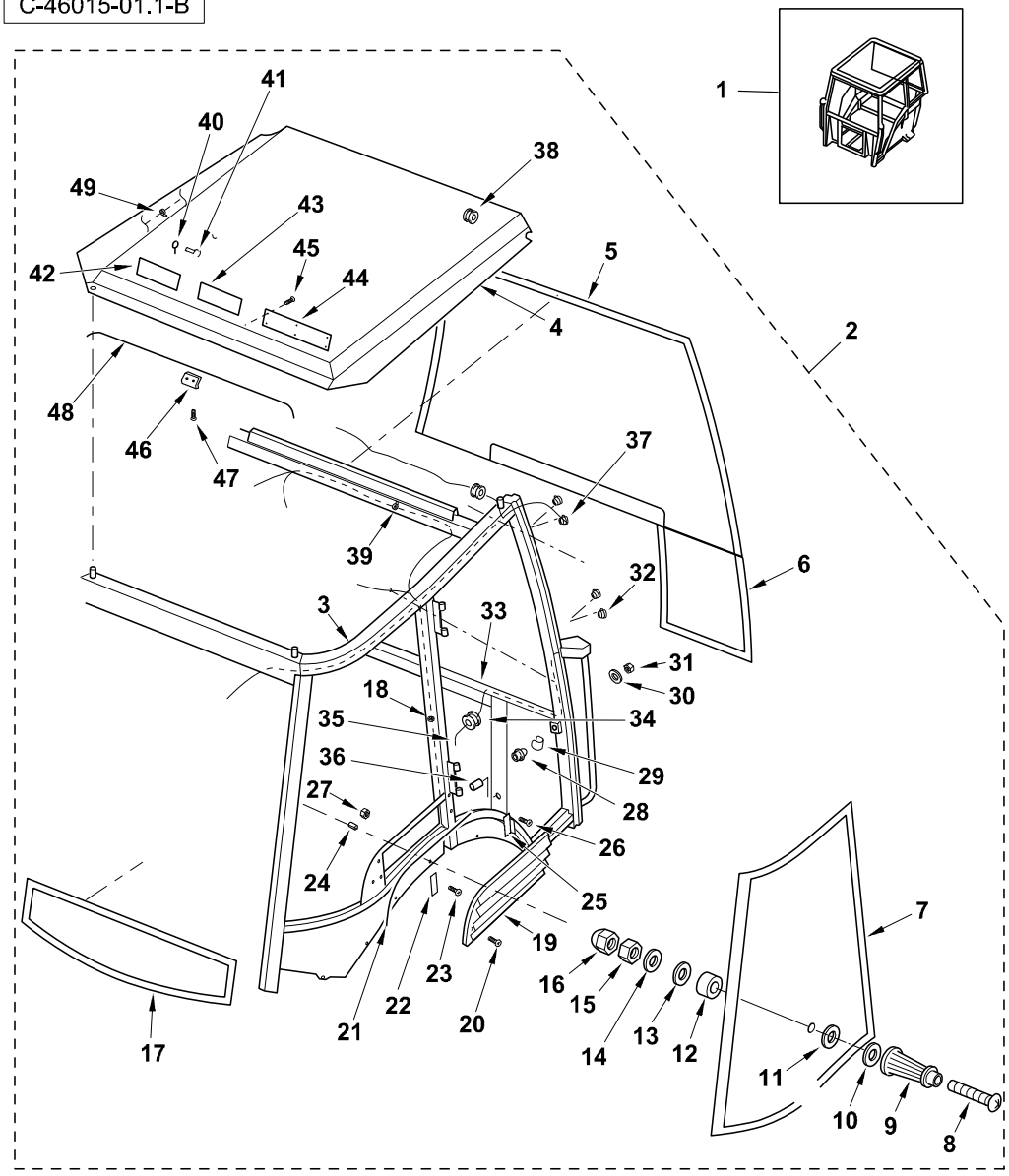
C-46003-03.1-A



Item	Part No.	Qty.	English	French	German	Spanish	Remarks
1	6110491M91	1	Bracket Relay W / Assy	Ensemble Chaise Palier	Bremsanlage	Cuchara, Conj.	
2	392409X1	5	Screw - Pan Head M5 X 6lg	Vis	Schraube Metr M5	Tornillo	



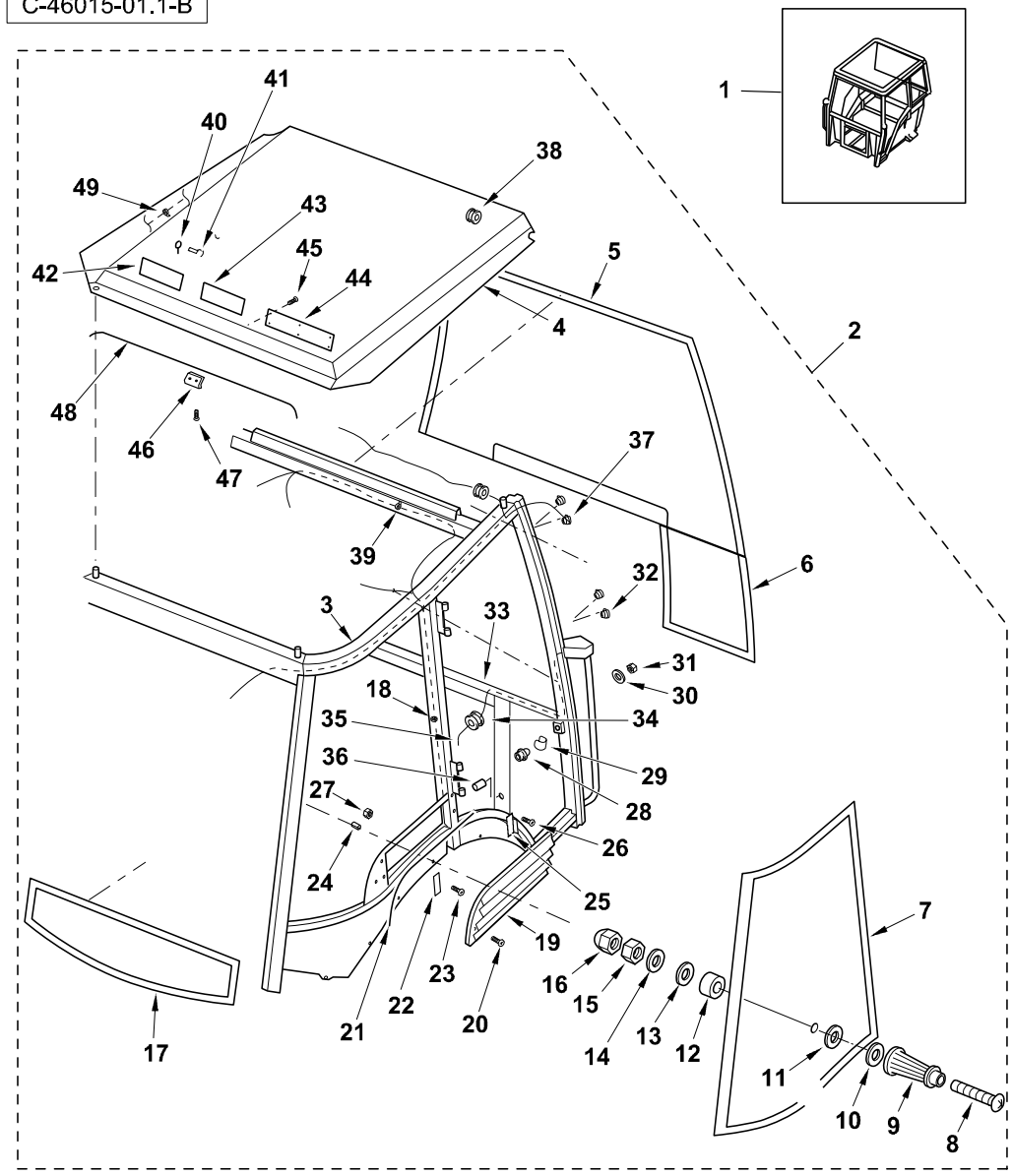
C-46015-01.1-B



Item	Part No.	Qty.	English	French	German	Spanish	Remarks
1	6099759M93GY02	1	Installation Cab Terex - (Benford Grey)	Ensemble De Cabine	Kabine Kpl.	Cabina, Conj.	
2	6099760M93	1	Cab-Black Frame Laminated	Ensemble De Bâti	Rahmen Kpl.	Bastidor, Conj.	
3	#FRAME	1	Frame	Frame	Frame	Frame	Ref. 2
4	#ROOF	1	Roof	Roof	Roof	Roof	Ref. 2
5	6099916M1	1	Windscreen - Laminated Glass	Pare Brise	Windschutzscheib	Parabrisas	
6	6099902M1	1	Plough Window LH	Vitre	Glasscheibe	Cristal	
6	6099903M1	1	Plough Window RH	Vitre	Glasscheibe	Cristal	
7	6099910M1	1	Window-Corner Rear LH	Vitre	Glasscheibe	Cristal	
7	6099911M1	1	Window-Corner Rear RH	Vitre	Glasscheibe	Cristal	
8	6099920M1	1	Door Holder	Reteneur	Halterung	Retén	
9	6099459M1	2	Screw-M6x50 (Din 912)	Vis	Schraube	Tornillo	
10	3512435M1	2	Washer M6	Rondelle	Scheibe	Arandela	
11	6099245M1	2	Washer Rubber	Rondelle Elastique	Gummischeibe	Arandela Elástica	
12	6099406M1	2	Spacer Plastic Lg:13	Entretoise	Distanzstueck	Traviesa	
13	6099245M1	2	Washer Rubber	Rondelle Elastique	Gummischeibe	Arandela Elástica	
14	3512435M1	2	Washer M6	Rondelle	Scheibe	Arandela	
15	1441500X1	2	Nut M6 Z5 Nyloc	Ecrou	Flachmutter M6	Tuerca De Retención	
16	3512502M1	1	Cap, Protective	Chapeau	Kappe	Sombbrero	
17	6099909M1	1	Window-Rear Lower	Vitre	Glasscheibe	Cristal	
18	6099460M1	6	Cable Tie	Attache Câble	Kabelbinder	Enlace De Cable	
19	6099528M1	1	Grill-Air-Filter	Grille	Gitter	Rejilla	
20	3512494M1	1	Screw M6 X 12	Vis	Schraube	Tornillo	
21	6102154M1	1	Foam Seal	Joint D'Étanchéité	Dichtungsteil	Junta De Estanqueidad	
22	6099229M1	1	Support Filter - Nla	Support De Fixation	Befestigung	Soporte De Fijación	
23	3512494M1	2	Screw M6 X 12	Vis	Schraube	Tornillo	
24	6106468M1	2	Nut-M5 Cab	Ecrou	Mutter	Tuerca	
25	6099222M1	1	Bracket Grille	Patte Fixation	Halter	Pata De Fijación	
26	3512494M1	2	Screw M6 X 12	Vis	Schraube	Tornillo	
27	6106468M1	2	Nut-M5 Cab	Ecrou	Mutter	Tuerca	
28	3512340M1	2	Striker Pin	Goupille	Bolzen	Placa De Cierre	

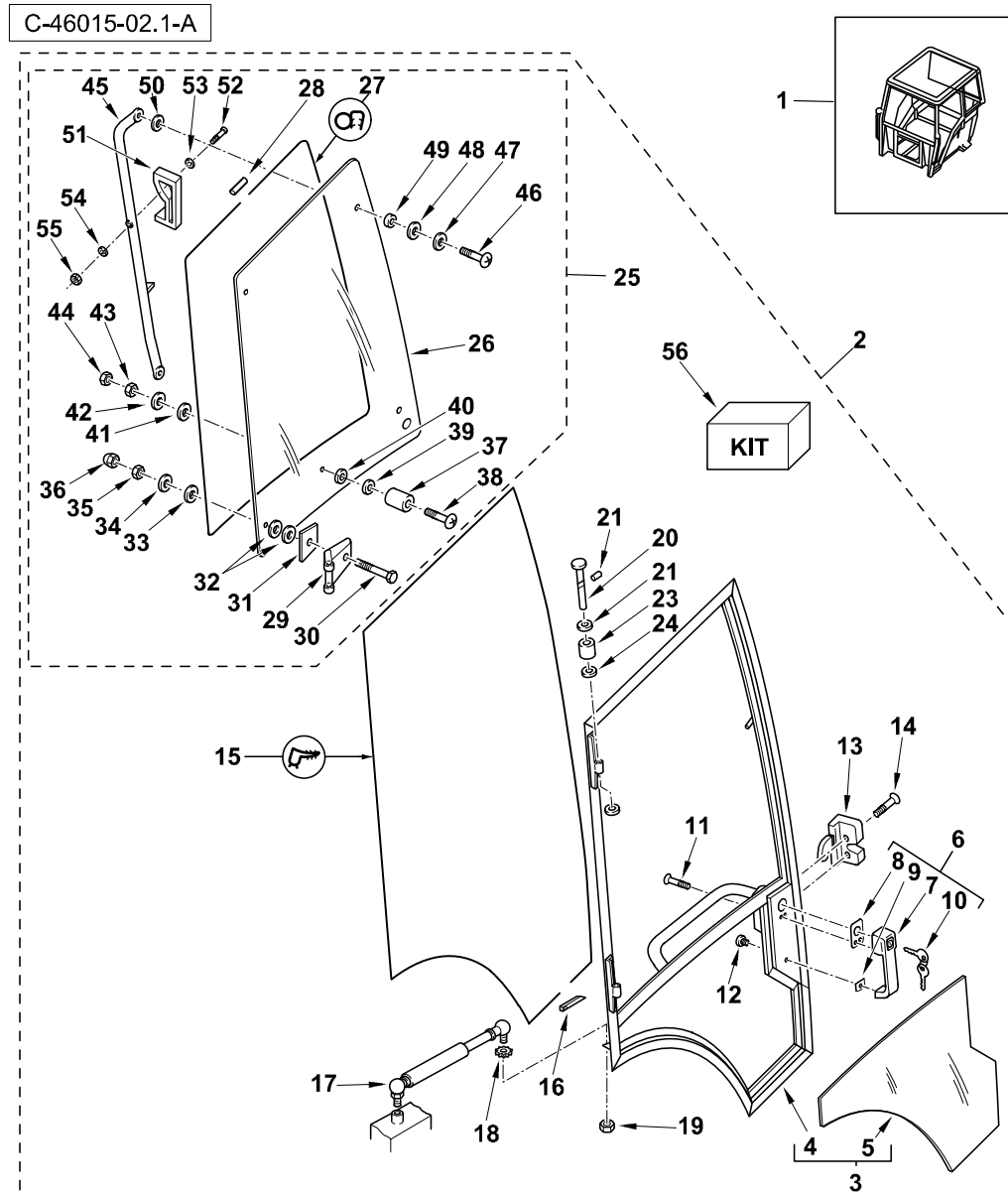


C-46015-01.1-B

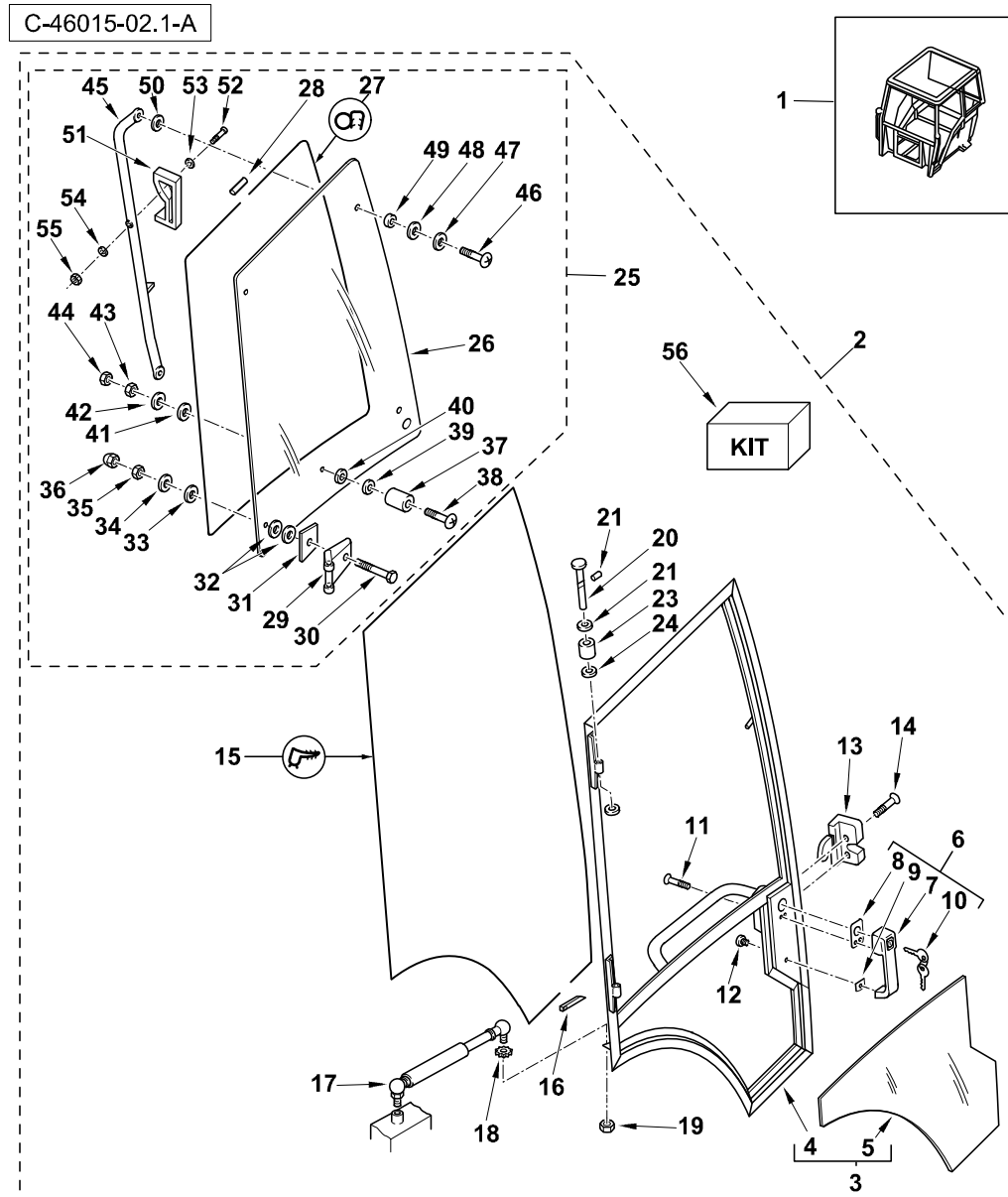


Item	Part No.	Qty.	English	French	German	Spanish	Remarks
29	3512441M1	2	Guard Striker Pin	Protecteur	Schutz	Protector	
30	3512620M1	2	Washer With Facette	Rondelle	Scheibe	Arandela	
31	3008865X1	2	Nut M12	Ecrou	Mutter	Tuerca	
32	6099408M1	4	Plug-Cab	Bouchon	Stopfen	Tapón	
33	3512805M1	2	Stop Rubber	Butée	Anschlag	Tope	
34	6099579M1	3	Grommet	Passe-Fil	Tülle	Pasa Cable	
35	6101354M91	2	Harness Headlight	Faisceau	Kabelstrang	Haz	
36	6106469M1	2	Nut-M8 Cab	Ecrou	Mutter	Tuerca	
37	6099408M1	4	Plug-Cab	Bouchon	Stopfen	Tapón	
38	6099579M1	3	Grommet	Passe-Fil	Tülle	Pasa Cable	
39	6099460M1	3	Cable Tie	Attache Câble	Kabelbinder	Enlace De Cable	
40	6099407M1	1	Hook	Crochet	Haken	Gancho	
41	6099458M1	1	Rivet-4x16,9	Rivet	Niete	Remache	
42	6002676M1	1	Plate Warning	Plaque Avertissement	Warnschild	Placa De Advertencia	
43	#PLATE, APPROVAL	1	Plate, Approval	Plate, Approval	Plate, Approval	Plate, Approval	Ref. 2
44	#PLATE, IDENTITY	1	Plate, Identity	Plate, Identity	Plate, Identity	Plate, Identity	Ref. 2
45	519566M1	12	Rivet No. 43	Rivet	Niete	Remache	
46	3512244M1	1	Grip For Handle	Attache	Befestigungsvorricht.	Eganche	
47	3512494M1	2	Screw M6 X 12	Vis	Schraube	Tornillo	
48	6099463M1	1	Seal Strip 1100mm	Bande D' Etanchéité	Dichtstreifen	Banda Estanqueidad	
49	6099460M1	5	Cable Tie	Attache Câble	Kabelbinder	Enlace De Cable	



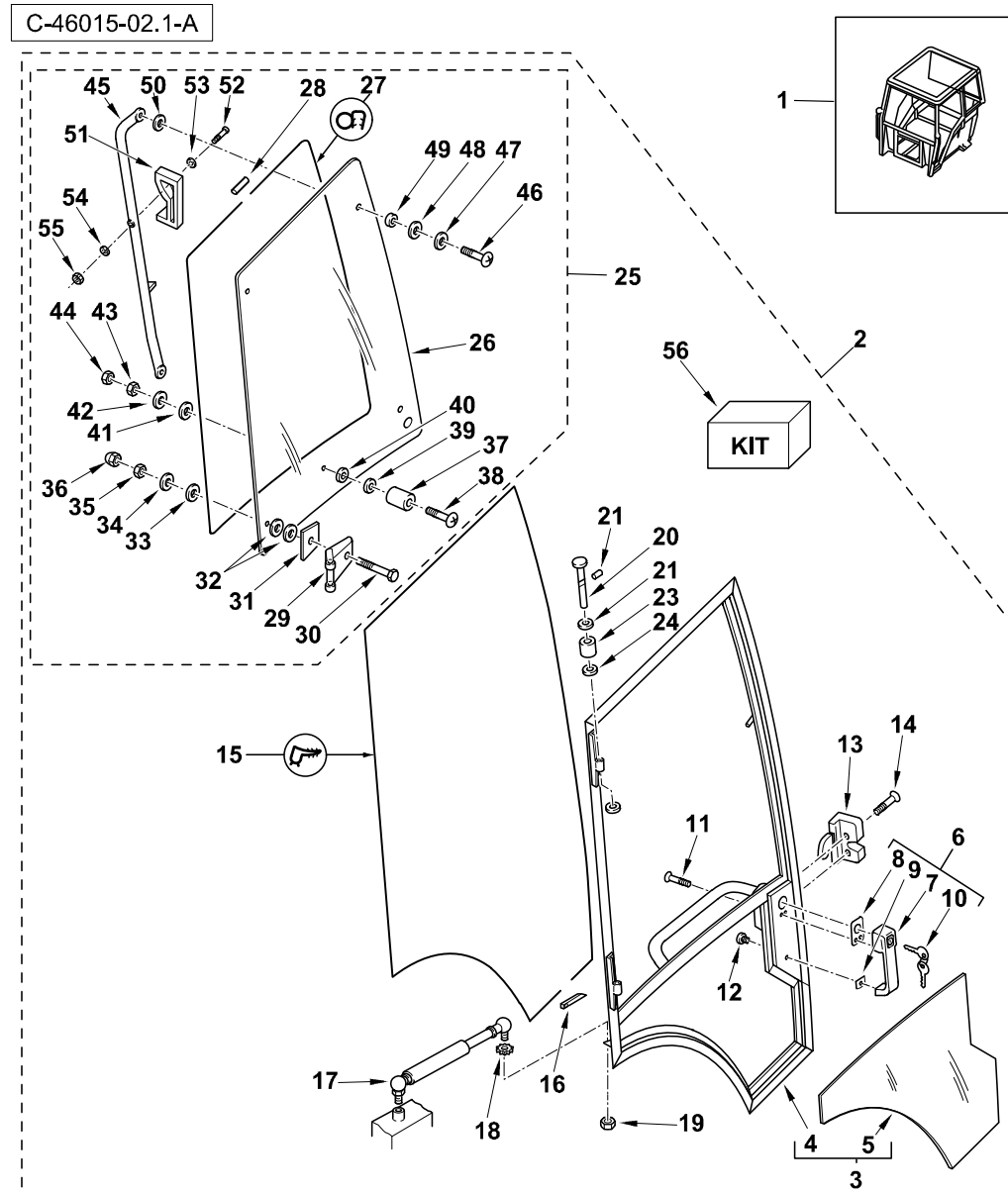


Item	Part No.	Qty.	English	French	German	Spanish	Remarks
1	6099759M93GY02	1	Installation Cab Terex - (Benford Grey)	Ensemble De Cabine	Kabine Kpl.	Cabina, Conj.	
2	6099411M91	1	Door Assy LH	Ensemble De Porte	Tür Kpl.	Puerta, Conj.	
2	6099412M91	1	Door Assy RH	Ensemble De Porte	Tür Kpl.	Puerta, Conj.	
3	6099413M91	1	Door Frame Assy LH	Ensemble De Porte	Tür Kpl.	Bastidor, Conj.	
3	6099414M91	1	Door Frame Assy RH	Ensemble De Porte	Tür Kpl.	Bastidor, Conj.	
4	6099440M91	1	Door Frame RH Black	Ensemble De Porte	Tür Kpl.	Bastidor	
4	6099439M91	1	Door Frame LH Black	Ensemble De Porte	Tür Kpl.	Bastidor	
5	6099906M1	1	Window-Door Lower LH	Vitre	Glasscheibe	Cristal	
5	6099907M1	1	Window-Door Lower RH	Vitre	Glasscheibe	Cristal	
6	6099584M92	1	Push Button Handle	Ensemble De Poignée	Handgriff Kpl.	Empuñadura, Conj.	
7	#HANDLE	1	Handle	Handle	Handle	Handle	Ref. 6
8	6099585M1	1	Gasket Door Handle	Joint	Dichtung	Junta	
9	6099586M1	1	Gasket Door Handle	Joint	Dichtung	Junta	
10	6107891M1	1	Key, Multipurpose - 1 Pair	Clé	Schlüssel	Juego De Llaves	
11	3007934X1	3	Screw, Pan Hd. Coarse, M6 X 16, 4.8	Vis	Schraube	Tornillo	
12	3512448M1	1	Plug	Bouchon	Stopfen	Tapón	
13	3512369M91	1	Latch Assy LH	Verrou	Riegel	Cerrojo	
13	3512368M91	1	Latch Assy RH	Verrou	Verriegelung	Cerrojo	
14	3512498M1	1	Screw M8 X 30	Vis	Schraube	Tornillo	
15	6099417M1	1	Sealing Strip Lg:4400	Bande D´Etanchéité	Dichtstreifen	Banda Estanqueidad	
16	6099418M1	1	Round Pro•l Lg:50 - Nla	Articulation	Verbindung, Gelenk	Articulación	
17	3512902M92	1	Gas Strut - Cab Door	Vérin À Gaz	Gaszylinder	Gato De Gas	
18	391025X1	1	Lockwasher M8 (External Tooth)	Rondelle De Blocage	Sicherungsscheibe	Arandela De Freno	
19	394367X1	1	Nut, Hex. - Nyloc, M8	Ecrou Blocage M8	Flachmutter - M8	Tuerca De Retención	
20	3512879M1	2	Pin Hinge	Axe	Gelenkbolzen	Pasador	
21	3009420X1	2	Screw M5 X 6	Vis	Schraube	Tornillo	
22	3512619M1	7	Washer Plastic	Rondelle	Scheibe	Arandela	
23	6099231M1	4	Spacer	Entretoise	Distanzstueeck	Traviesa	
24	3512433M1	6	Washer Plastic	Rondelle	Scheibe	Arandela	
25	6099419M91	1	Top Door Window Assy LH	Ensemble De Fenêtre	Fenster Kpl.	Ventana, Conj.	

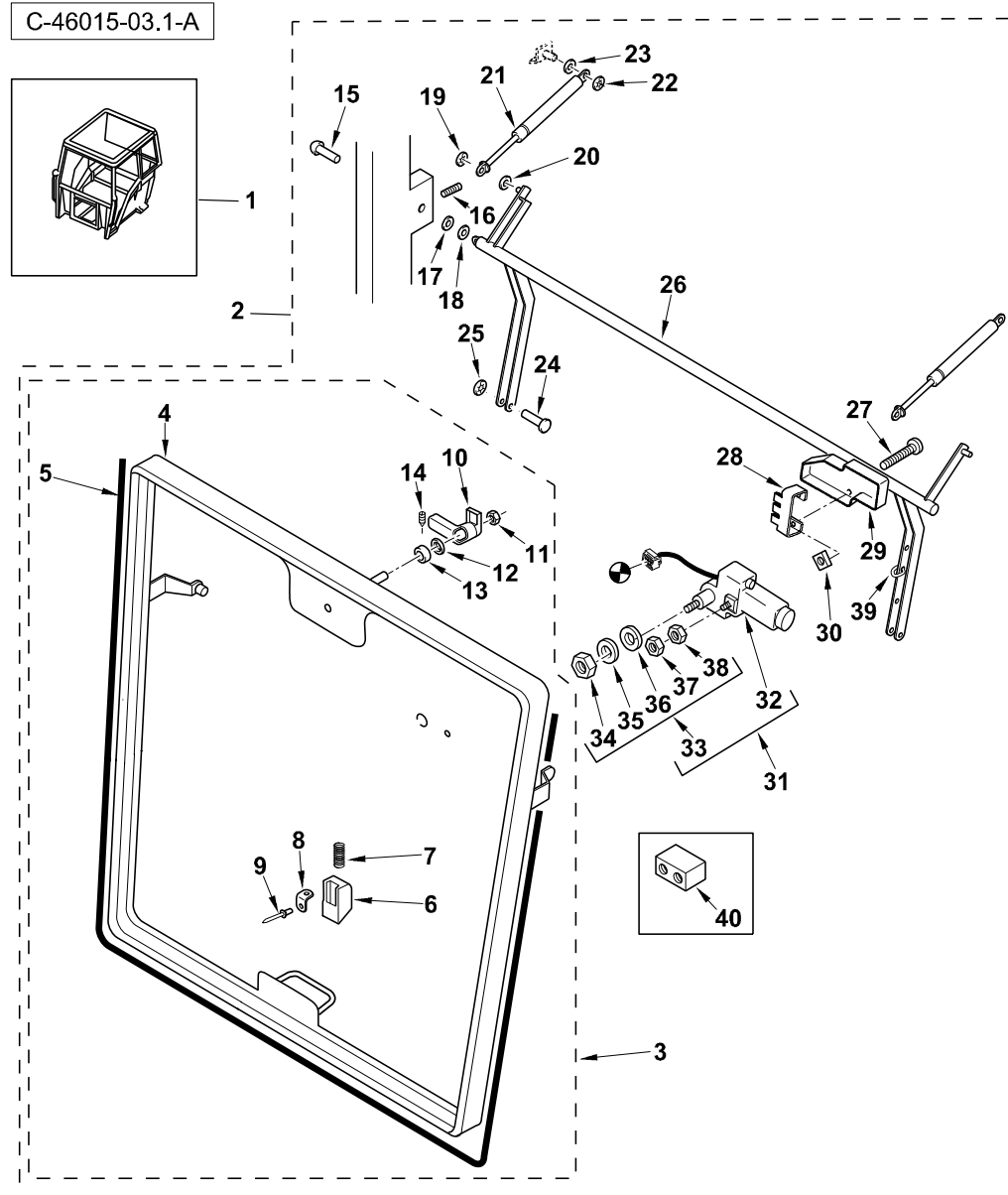


Item	Part No.	Qty.	English	French	German	Spanish	Remarks
25	6099420M91	1	Top Door Window Assy RH	Ensemble De Fenêtre	Fenster Kpl.	Ventana, Conj.	
26	6099905M1	1	Window-Door-Top RH	Vitre	Glasscheibe	Cristal	
26	6099904M1	1	Window-Door-Top LH	Vitre	Glasscheibe	Cristal	
27	6099421M1	1	Seal Strip 3400mm	Bande D Etancheite	Dichtstreifen	Banda Estanqueidad	
28	6099418M1	1	Round Pro •l Lg:50 - Nla	Articulation	Verbindung, Gelenk	Articulación	
29	3512937M1	1	Hinge	Charnière	Scharnier	Bisagra	
30	391096X1	2	Screw M6 X 35	Vis	Schraube - M6 X 35	Tornillo	
31	3512940M1	2	Spacer Rubber	Joint	Dichtring	Junta	
32	3512450M1	4	Spacer Plastic	Entretoise	Distanzstueck	Traviesa	
33	3512561M1	2	Washer Rubber	Rondelle Elastique	Gummischeibe	Arandela Elástica	
34	3512435M1	2	Washer M6	Rondelle	Scheibe	Arandela	
35	1441500X1	2	Nut M6 Z5 Nyloc	Ecrou	Flachmutter M6	Tuerca De Retención	
36	3512502M1	2	Cap, Protective	Chapeau	Kappe	Sombbrero	
37	3512363M1	1	Door Retainer	Arretoir	Befestigungsteil	Fijacion	
38	6106471M1	1	Screw M6 X 30	Vis	Schraube	Tornillo	
39	6099248M1	1	Washer Rubber	Rondelle Elastique	Gummischeibe	Arandela Elástica	
40	6099406M1	1	Spacer Plastic Lg:13	Entretoise	Distanzstueck	Traviesa	
41	3512561M1	1	Washer Rubber	Rondelle Elastique	Gummischeibe	Arandela Elástica	
42	3512435M1	1	Washer M6	Rondelle	Scheibe	Arandela	
43	1441500X1	1	Nut M6 Z5 Nyloc	Ecrou	Flachmutter M6	Tuerca De Retención	
44	3512502M1	1	Cap, Protective	Chapeau	Kappe	Sombbrero	
45	6099422M91	1	Handle Assy	Poignée Ass.	Handgriff Kplt	Empuñadura, Conj.	
46	3512392M1	2	Screw M6-25 Boa In Cab	Vis	Schraube	Tornillo	
47	3512435M1	2	Washer M6	Rondelle	Scheibe	Arandela	
48	3512561M1	2	Washer Rubber	Rondelle Elastique	Gummischeibe	Arandela Elástica	
49	3512450M1	2	Spacer Plastic	Entretoise	Distanzstueck	Traviesa	
50	3512561M1	2	Washer Rubber	Rondelle Elastique	Gummischeibe	Arandela Elástica	
51	6099423M1	1	Handle	Poignée	Handgriff	Asa	
52	391884X1	1	Bolt M6-50 Z5s	Goupille	Bolzen	Tornillo	
53	6106467M1	1	Washer-Plastic 6,4x18x2	Rondelle	Scheibe	Arandela	



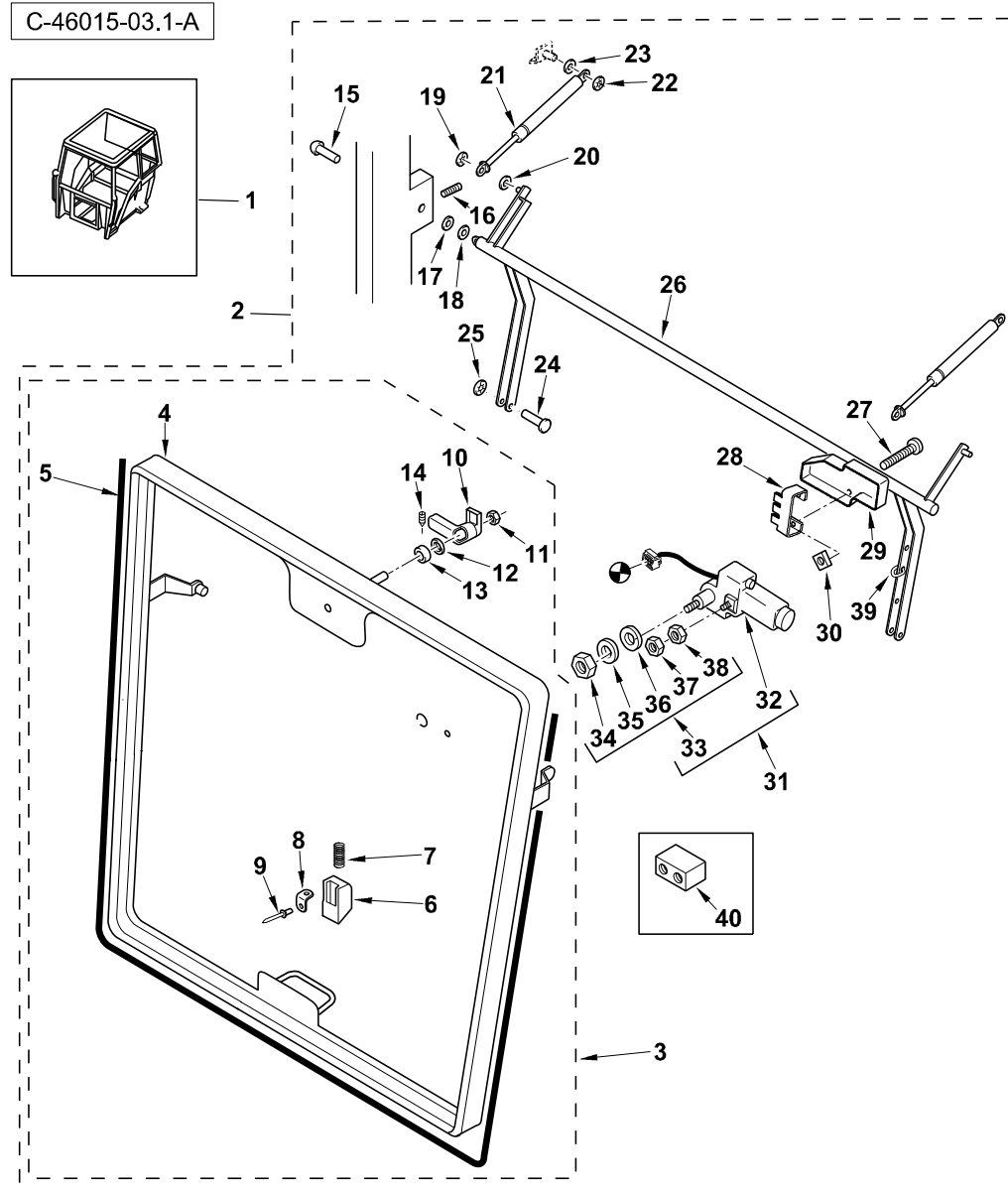


Item	Part No.	Qty.	English	French	German	Spanish	Remarks
54	1441500X1	1	Nut M6 Z5 Nyloc	Ecrou	Flachmutter M6	Tuerca De Retención	
55	3512502M1	1	Cap, Protective	Chapeau	Kappe	Sombreroete	
56	3621392M91	1	Kit - Glass Fixing	Jeu D'Adhésifs	Kleber	Empaque De Cola	

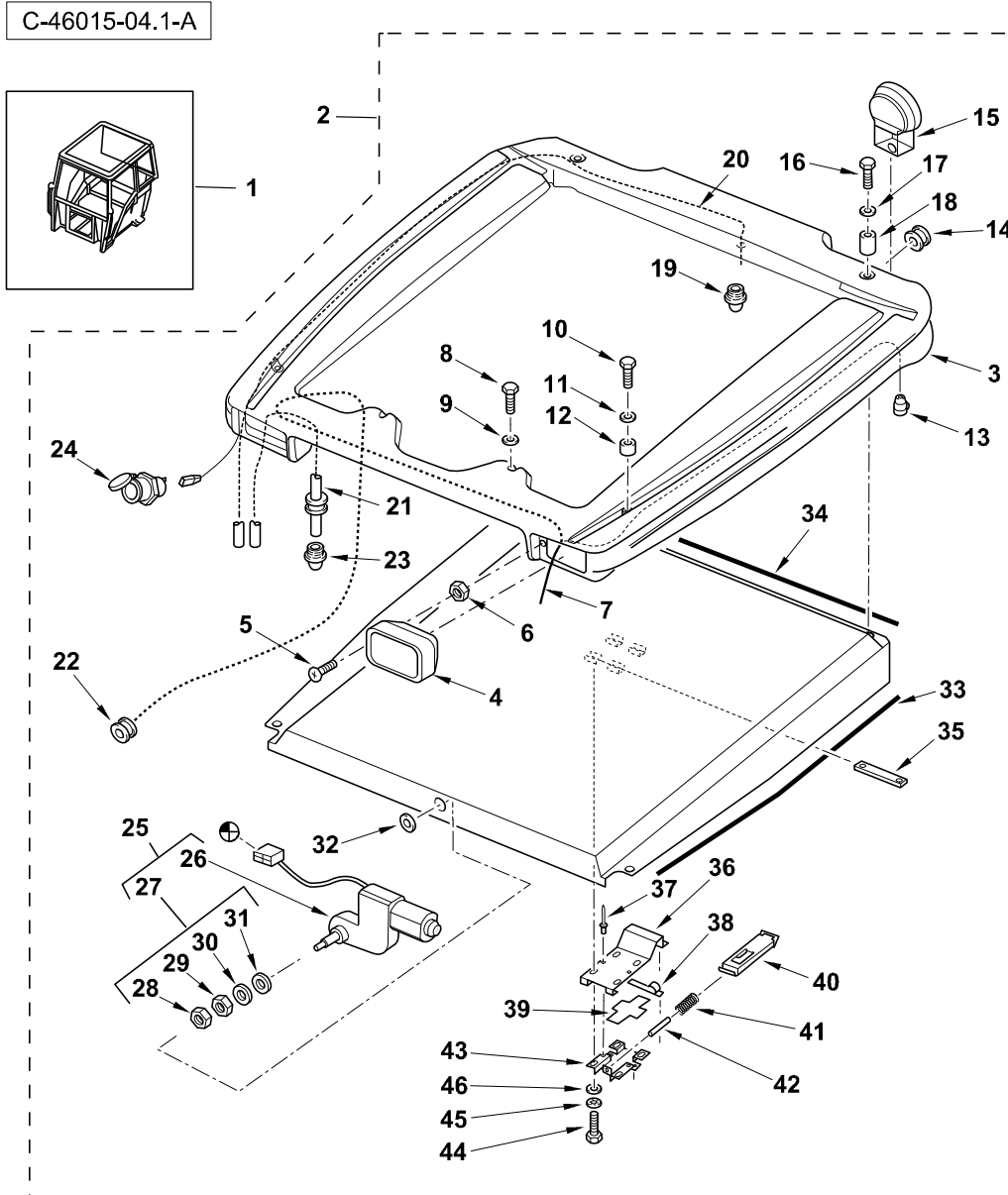


Item	Part No.	Qty.	English	French	German	Spanish	Remarks
1	6099759M93GY02	1	Installation Cab Terex - (Benford Grey)	Ensemble De Cabine	Kabine Kpl.	Cabina, Conj.	
2	6099762M91	1	Window-Rear (Complete Assy)	Ensemble De Fenêtre	Fenster Kpl.	Ventana, Conj.	
3	6099765M91	1	Framed Glass Assy. - Rear Window	Ensemble De Fenêtre	Fenster Kpl.	Ventana, Conj.	
4	#FRAME	1	Frame	Frame	Frame	Frame	Ref. 3
5	6099763M1	1	Seal Rear Window Framed	Joint	Dichtung	Junta	
6	3512258M1	1	Pawl Rear Window Lock	Cliquet	Sperrklinke	Placa De Cierre	
7	3512255M1	1	Spring	Siège De Ressort	Federsitz	Muelle	
8	3512260M1	1	Stop Pawl	Siège De Ressort	Federsitz	Muelle	
9	522464M1	1	Rivet M3.2 X 6.	Rivet	Niete	Remache	
10	3512345M1	1	Handle Rear Window	Poignée	Handgriff	Asa	
11	3512513M1	1	Nut Brass M6	Ecrou	Mutter	Tuerca	
12	3512358M1	1	Spacer Rubber	Entretoise	Distanzstück	Traviesa	
13	3512357M1	1	Washer - 13mm X 20mm X 2mm	Rondelle	Scheibe	Arandela	
14	3512360M1	1	Grub Screw M4x1	Vis	Schraube	Tornillo	
15	6099249M1	2	Pin-F.Hinge 9.5x50	Axe	Bolzen	Pasador	
16	3009420X1	2	Screw M5 X 6	Vis	Schraube	Tornillo	
17	3512433M1	2	Washer Plastic	Rondelle	Scheibe	Arandela	
18	3512619M1	2	Washer Plastic	Rondelle	Scheibe	Arandela	
19	6099567M1	2	Ring - Self-Locking	Anneau De Retenue	Befestigungsring	Anillo De Retención	
20	6099591M1	2	Washer - Plastic, - 6.8 X 12 X 3	Rondelle	Scheibe	Arandela	
21	6099599M91	2	Gas Strut Assy	Vérin À Gaz	Gaszylinder	Gato De Gas	
22	6099567M1	2	Ring - Self-Locking	Anneau De Retenue	Befestigungsring	Anillo De Retención	
23	3512450M1	2	Spacer Plastic	Entretoise	Distanzstueck	Traviesa	
24	339229X1	2	Bolt M6-40 Z5s Lk	Boulon M6 X 40	Schraube M6 X 40	Tornillo	
25	1441500X1	2	Nut M6 Z5 Nyloc	Ecrou	Flachmutter M6	Tuerca De Retención	
26	6099610M91	1	Suspension Arm Assy	Bras	Arm	Brazo	
27	3512617M1	2	Screw Sheet Metal	Vis	Schraube	Tornillo	
28	3512257M1	1	Bracket Mounting	Patte Fixation	Halter	Soporte De Fijación	
29	6099468M1	1	Cover Rear Wiper Motor	Cache	Abdeckung	Tapa	
30	3512511M1	2	Nut M5	Ecrou	Mutter	Tuerca	



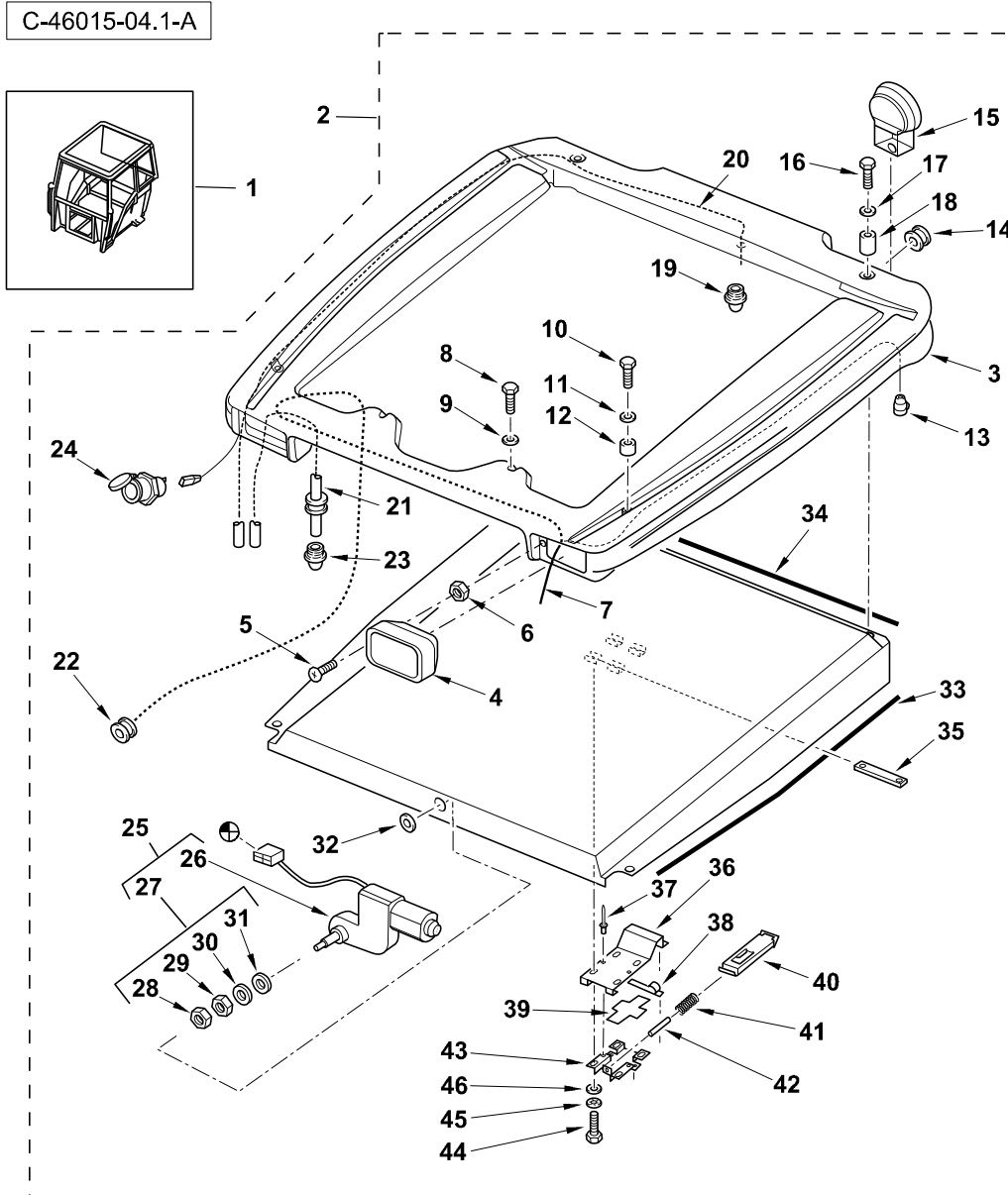


Item	Part No.	Qty.	English	French	German	Spanish	Remarks
31	3512338M91	1	Wiper Motor Rear	Moteur Essuie-Glace	Wischermotor	Motor Limpiaparabr.	
32	#MOTOR, WIPER	1	Motor, Wiper	Motor, Wiper	Motor, Wiper	Motor, Wiper	Ref. 31
33	3523335M91	1	Kit Mounting	Lot De Pièces	Ersatzteilkpaket	Juego De Piezas	
34	#NUT	1	Nut	Ecrou	Mutter	Tuerca	Ref. 33
35	#WASHER	1	Washer	Rondelle	Unterlegscheibe	Arandela	Ref. 33
36	#WASHER	1	Washer	Rondelle	Unterlegscheibe	Arandela	Ref. 33
37	#CAP	1	Cap	Chapeau	Kappe	Tapa	Ref. 33
38	#NUT	1	Nut	Ecrou	Mutter	Tuerca	Ref. 33
39	6099460M1	3	Cable Tie	Attache Câble	Kabelbinder	Enlace De Cable	
40	6099758M1	1	Spacer-Rear Window Panel Bolt	Entretoise	Distanzstück	Traviesa	



Item	Part No.	Qty.	English	French	German	Spanish	Remarks
1	6099759M94GY03	1	Cab Terex	Ensemble De Cabine	Kabine Kpl.	Cabina, Conj.	H200 08 5530
1	6099759M93GY03	1	Cab Terex - (Terex Grey)	Ensemble De Cabine	Kabine Kpl.	Cabina, Conj.	H200 08 5530
2	6099425M93	1	Roof Assy Outer Grey	Ensemble De Toit	Dach Kpl.	Techo, Conj.	H200 08 5530
2	6099425M94	1	Roof Assy	Ensemble De Toit	Dach Kpl.	Techo, Conj.	H200 08 5530
3	6099551M2	1	Roof Outer Grey	Toit	Dach	Techo	
4	6101560M91	2	Work Light Assy. - Front	Ensemble Phare Travail	Arbeitslicht Kpl.	Faro De Trabajo, Conj.	[46015c05.1 1]
5	6099456M1	4	Screw 4,2x45 (Din 7981ch)	Vis	Schraube	Tornillo	
6	6101590M1	4	Nut "U" M4	Ecrou	Mutter	Tuerca En U	
7	6112778M91	1	Cab Roof Harness With Roof Lights	Ensemble De Faisceau	Kabelstrang Kpl.	Haz, Conj.	H200 08 5530
7	6108826M91	1	Harness Assy. - Cab Roof	Ensemble De Faisceau	Kabelstrang Kpl.	Haz, Conj.	H200 08 5530
8	3512555M1	2	Screw, Pan Head - M5 X 10	Vis	Schraube	Tornillo	
9	6099561M1	2	Washer-Lartge	Rondelle	Scheibe	Arandela	
10	3009505X1	2	Hex. Bolt, M12 X 25 - Coarse	Boulon	Bolzen M12 X 25	Perno	
11	6099562M1	2	Washer	Rondelle	Scheibe	Arandela	
12	6099563M1	2	Spacer	Entretoise	Distanzstück	Traviesa	
13	3517621M91	1	Socket Auxiliary	Corps Rotule	Steckdose 12v	Toma De Corriente	
14	6099447M1	2	Grommet 22x28x4	Passe-Fil	Tülle	Pasa Cable	
15	6110033M91	2	Worklight - Rear	Ensemble Phare Trava	Arbeitsscheinwerfer Kpl.	Faro De Trabajo, Conj	[46015c06.1 1]
16	3009509X1	2	Bolt M12 X 45 (1.75) Zinc (Iso 8.8)	Boulon M12 X 45	Schraube M12 X 45	Tornillo	
17	6099562M1	2	Washer	Rondelle	Scheibe	Arandela	
18	6099564M1	2	Spacer	Entretoise	Distanzstück	Traviesa	
19	3512320M1	1	Nozzle Jet Washer	Diffuseur	Luftdüse	Difusor	
20	3522641M4	1	Tube Flexible Boa Cab	Flexible	Schlauch	Tube Flexible	
21	3522640M3	1	Boa Tube Flexible Cab	Flexible	Schlauch	Tube Flexible	
22	6099457M1	1	Grommet 20x26	Passe-Fil	Tülle	Pasa Cable	
23	3512320M1	1	Nozzle Jet Washer	Diffuseur	Luftdüse	Difusor	
24	3517621M91	1	Socket Auxiliary	Corps Rotule	Steckdose 12v	Toma De Corriente	
25	3504311M91	1	Motor - Wiper Front	Moteur Essuie-Glace	Wischermotor	Motor Limpiaparabr.	
26	#MOTOR, WIPER	1	Motor, Wiper	Motor, Wiper	Motor, Wiper	Motor, Wiper	Ref. 25
27	3523336M91	1	Kit Mounting	Lot De Pièces	Ersatzteilpaket	Juego De Piezas	

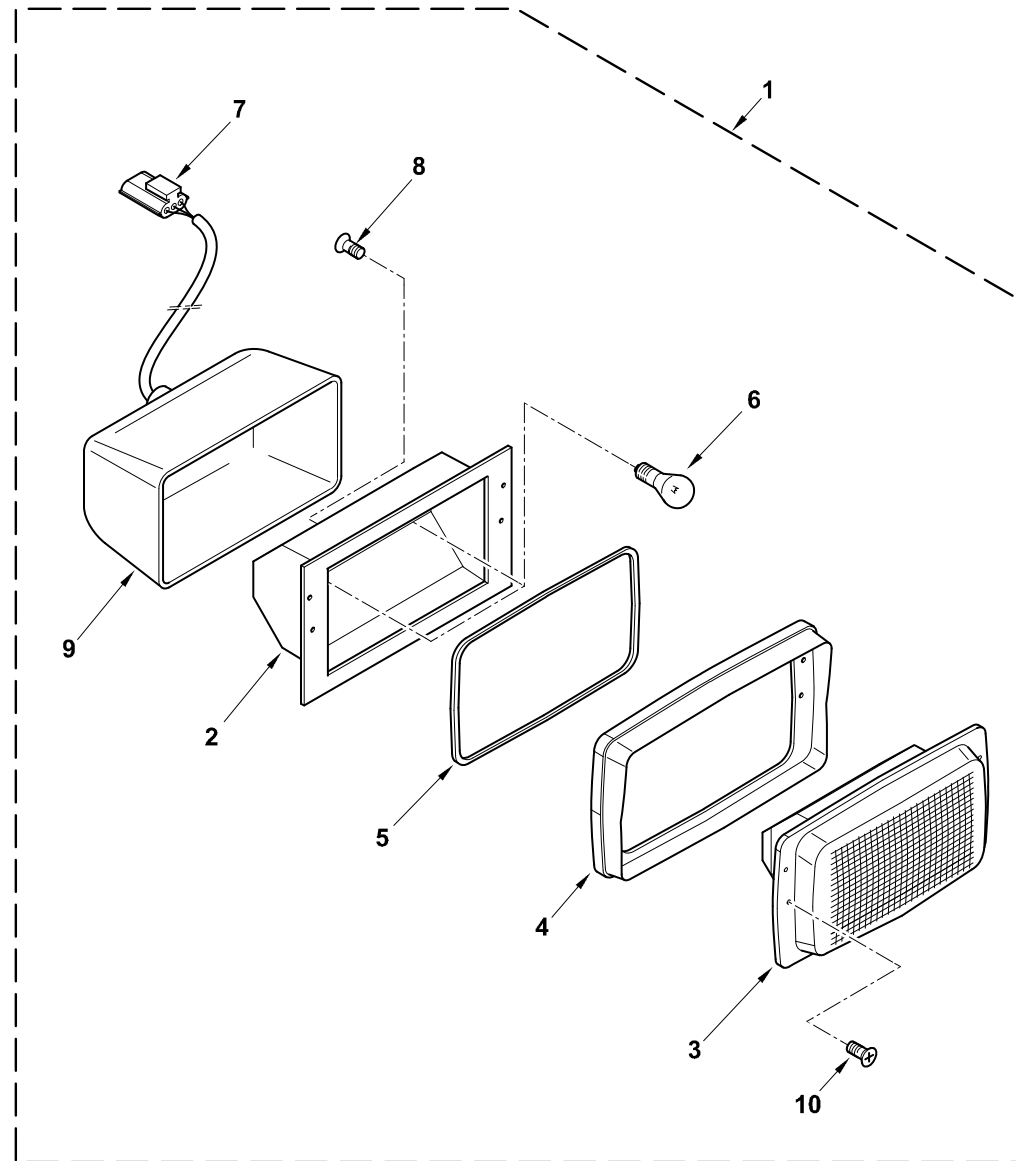




Item	Part No.	Qty.	English	French	German	Spanish	Remarks
28	#CAP	1	Cap	Chapeau	Kappe	Tapa	Ref. 27
29	#NUT	1	Nut	Ecrou	Mutter	Tuerca	Ref. 27
30	#WASHER	1	Washer	Rondelle	Unterlegscheibe	Arandela	Ref. 27
31	#WASHER	1	Washer	Rondelle	Unterlegscheibe	Arandela	Ref. 27
32	3019881X1	1	Washer-Lock M16	Rondelle Frein	Scheibe, Sicherungs-	Arandela De Freno	
33	6099454M1	2	Seal Strip 1200mm	Bande D´Etanchéité	Dichtstreifen	Junta	
34	6099455M1	1	Seal Strip 1100mm	Bande D´Etanchéité	Dichtstreifen	Junta	
35	3512591M1	2	Bracket Mounting	Plaque	Platte	Placa	
36	6099592M1	1	Plate-Support Rear Window	Support De Fixation	Befestigung	Soporte De Fijación	
37	6099595M1	2	Rivet-Blind	Rivet	Niete	Remache	
38	3512475M1	1	Seal, Foam	Joint D´Etanchéité	Dichtungsteil	Junta De Estanqueidad	
39	6099265M1	1	Spacer Plastic	Entretoise	Distanzstück	Traviesa	
40	6099593M1	1	Pawl-Rr Window Holder Weldd D	Verrou	Verriegelung	Cerrojo	
41	6099594M1	1	Spring	Siège De Ressort	Federsitz	Muelle	
42	1442357X1	1	Roll Pin	Goupille Elastique	Spannstift	Pasador Elástico	
43	6099596M1	1	Bracket Latch Assy	Patte Fixation	Halter	Pata De Fijación	
44	339123X1	4	Bolt M8-20 Z5f	Boulon M8 X 20	Maschschraube M8	Perno	
45	391025X1	4	Lockwasher M8 (External Tooth)	Rondelle De Blocage	Sicherungsscheibe	Arandela De Freno	
46	390972X1	4	Washer M8-17-1 Zwl	Rondelle M8	Scheibe - M8	Arandela	

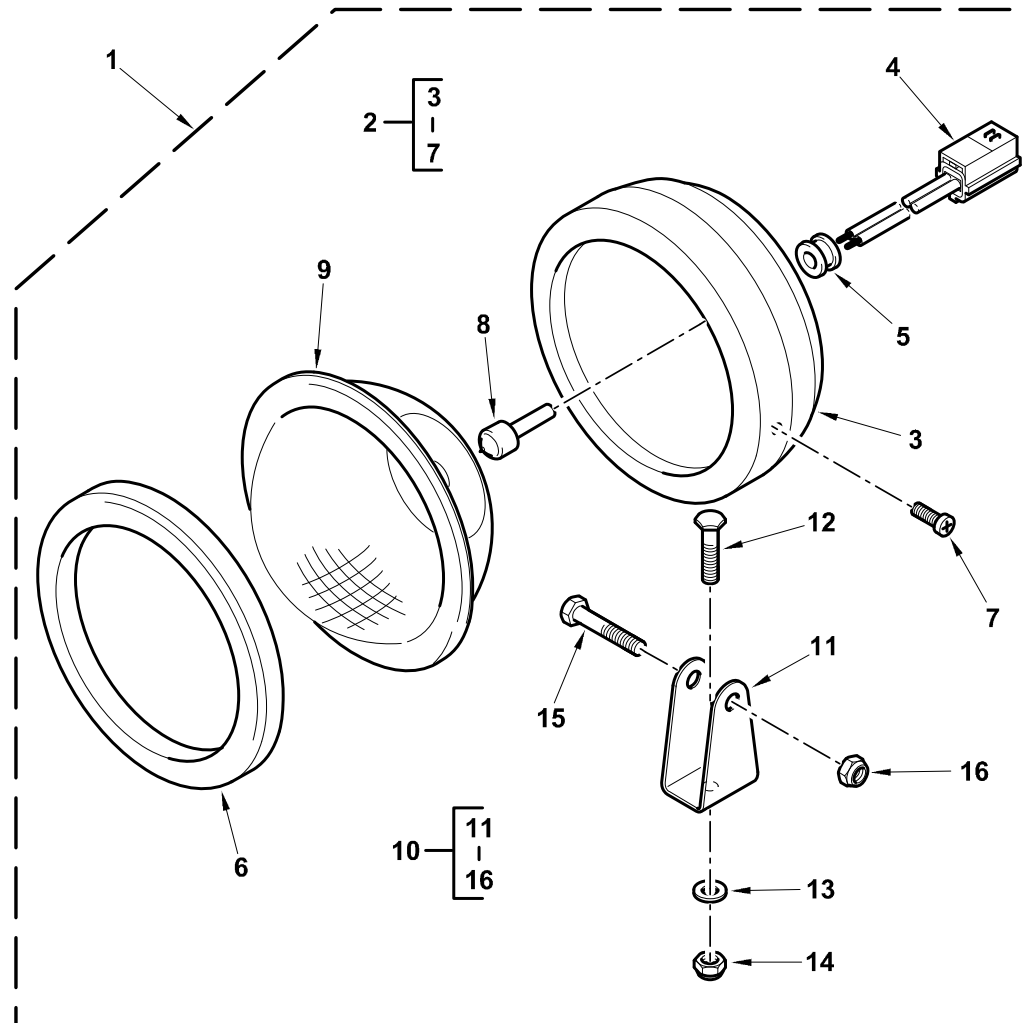


C-46015-05.1-A



Item	Part No.	Qty.	English	French	German	Spanish	Remarks
1	6101560M91	1	Work Light Assy. - Front	Ensemble Phare Travail	Arbeitslicht Kpl.	Faro De Trabajo, Conj.	[46015c04.1 4]
2	#REFLECTOR	1	Re•ector	Re•ector	Re•ector	Re•ector	Ref. 1
3	6190753M91	1	Lens Assy Worklight	Lentille	Streuscheibe	Lente	
4	6190754M91	1	Rim Worklight	Jante	Feige	Corona	
5	#SEAL	1	Seal	Joint Étanchéité	Dichtring	Retén	Ref. 1
6	3523689M1	2	Bulb 12v.55w	Lampe	Lampe	Lámpara	
7	6190755M91	1	Harness Worklight	Faisceau	Kabelstrang	Haz	
8	#SCREW	1	Screw	Vis	Schraube	Tornillo	Ref. 1
9	#BODY	1	Body	Body	Body	Body	Ref. 1
10	#SCREW	2	Screw	Vis	Schraube	Tornillo	Ref. 1

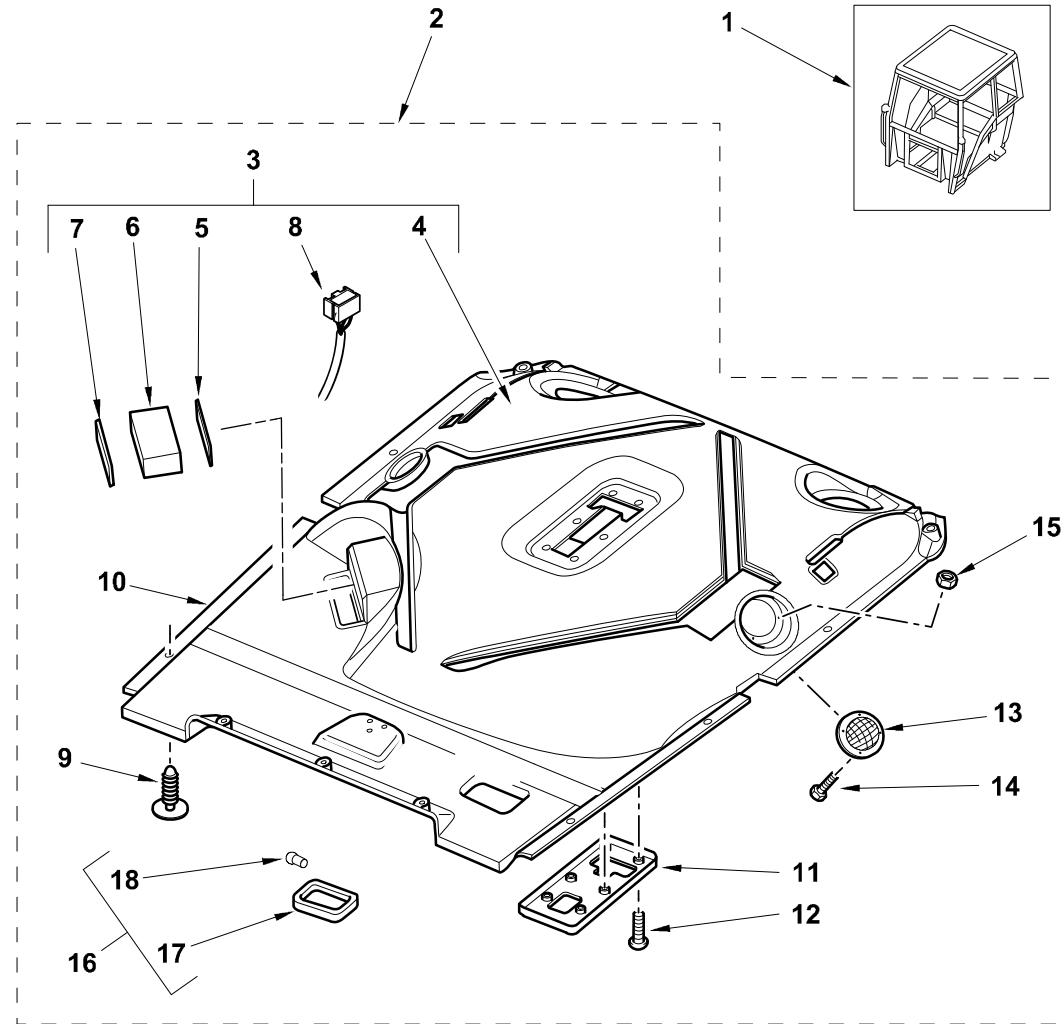
C-46015-06.1-A



Item	Part No.	Qty.	English	French	German	Spanish	Remarks
1	6110033M91	2	Worklight - Rear	Ensemble Phare Trava	Arbeitsscheinwerfer Kpl.	Faro De Trabajo, Conj	[46015c04.1 15]
2	6194001M91	1	Housing,Harness,Gasket,Screws	Lot De Pièces	Ersatzteilpaket	Juego De Piezas	
3	#BODY	1	Body	Body	Body	Body	Ref. 2
4	#HARNES	1	Harness	Harness	Harness	Harness	Ref. 2
5	#GROMMET	1	Grommet	Grommet	Grommet	Grommet	Ref. 2
6	#RIM	1	Rim	Rim	Rim	Rim	Ref. 2
7	#SCREW	1	Screw	Vis	Schraube	Tornillo	Ref. 2
8	3523689M1	1	Bulb 12v.55w	Lampe	Lampe	Lámpara	
9	6194002M91	1	Light Unit Without Bulb	Catadioptr	Rückstrahler	Re•ector	
10	6194003M91	1	Kit - Bracket + Hardwear (Worklamp)	Patte Fixation	Halter	Juego De Piezas	
11	#BRACKET	1	Bracket	Bracket	Bracket	Bracket	Ref. 10
12	#BOLT	1	Bolt	Boulon	Schraubbolzen	Perno	Ref. 10
13	#WASHER	1	Washer	Rondelle	Unterlegscheibe	Arandela	Ref. 10
14	#NUT	1	Nut	Ecrou	Mutter	Tuerca	Ref. 10
15	#BOLT	1	Bolt	Boulon	Schraubbolzen	Perno	Ref. 10
16	#NUT	1	Nut	Ecrou	Mutter	Tuerca	Ref. 10



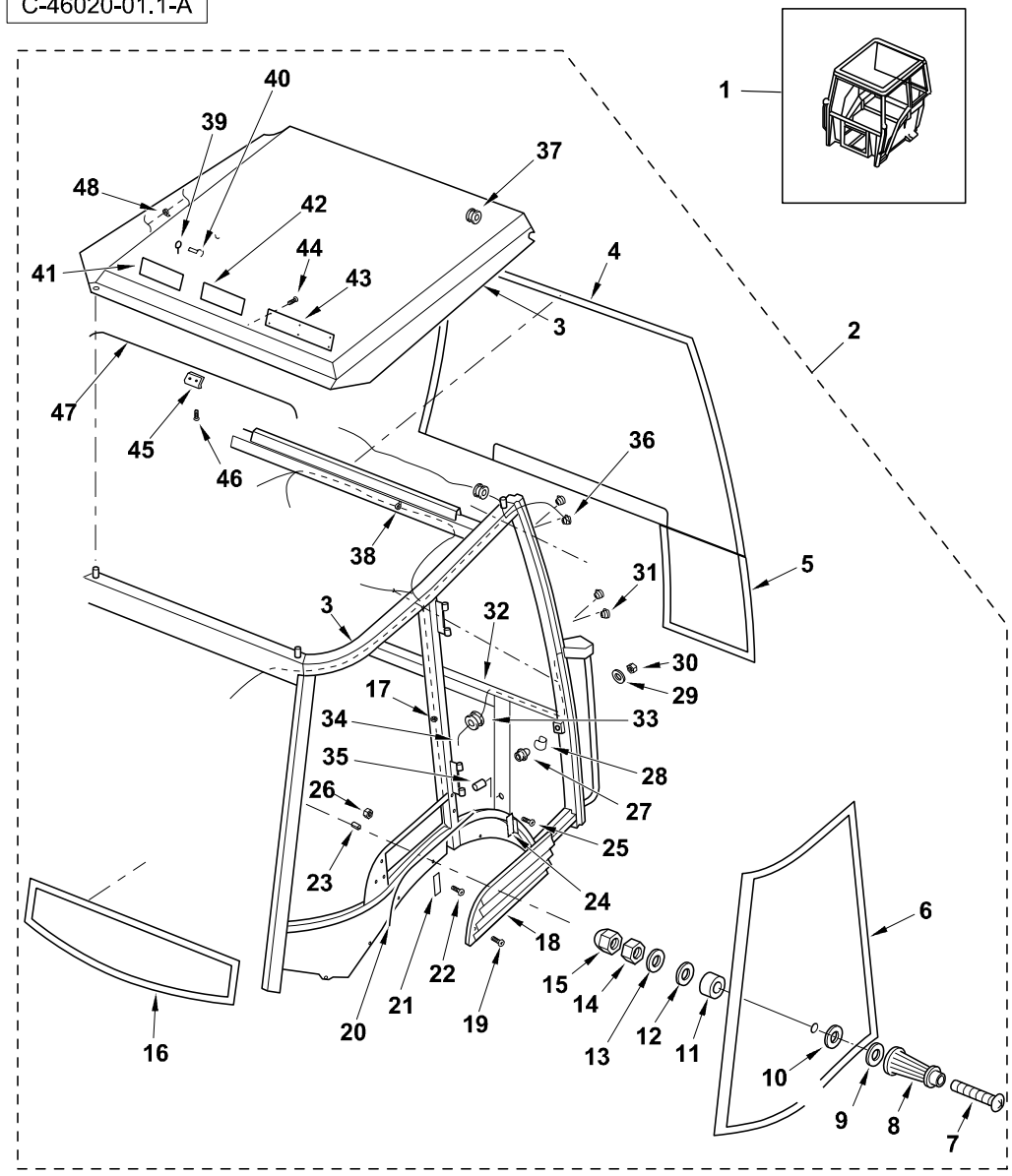
C-46015-07.1-B



Item	Part No.	Qty.	English	French	German	Spanish	Remarks
1	6099759M93GY02	1	Installation Cab Terex - (Benford Grey)	Ensemble De Cabine	Kabine Kpl.	Cabina, Conj.	
2	6099405M93	1	Roof Assy Inner	Ensemble De Toit	Dach Kpl.	Techo, Conj.	
3	6099771M91	1	Roof Liner	Pavillon	Kabinenhimmel	Pabellón	
4	#LINING	1	Lining	Lining	Lining	Lining	Ref. 3
5	#PLATE, BACKING	1	Plate, Backing	Plate, Backing	Plate, Backing	Plate, Backing	Ref. 3
6	6109772M1	1	Housing - Radio	Carter	Gehäuse	Cárter	
7	6109775M1	1	Panel - Radio Blank	Cache	Abdeckung	Tapa	
8	6109777M91	1	Harness - Radio Speakers	Faisceau	Beschirrung	Haz, Conj.	
9	6102077M1	14	Fastener Fir Tree	Attache	Befestigungsvorrichtung	Eganche	
10	6099461M1	2	Pro•le	Pro•le	Pro•l	Per•l	
11	6099247M1	1	Cover-Inner Roof	Cache	Abdeckung	Tapa	
12	3512617M1	6	Screw Sheet Metal	Vis	Schraube	Tornillo	
13	3516210M1	2	Grille Speaker	Grille	Grill	Rejilla	
14	6099448M1	8	Screw-4,8x25 (Din 7985)	Vis	Schraube	Tornillo	
15	3512511M1	8	Nut M5	Ecrou	Mutter	Tuerca	
16	3516209M92	1	Light Interior	Éclairage Intérieur	Innenbeleuchtung	Iluminación Interior	
17	#LAMP	1	Lamp	Lamp	Lamp	Lamp	Ref. 16
18	3523441M1	1	Bulb Festoon 12v.10w	Lampe	Lampe	Lámpara	

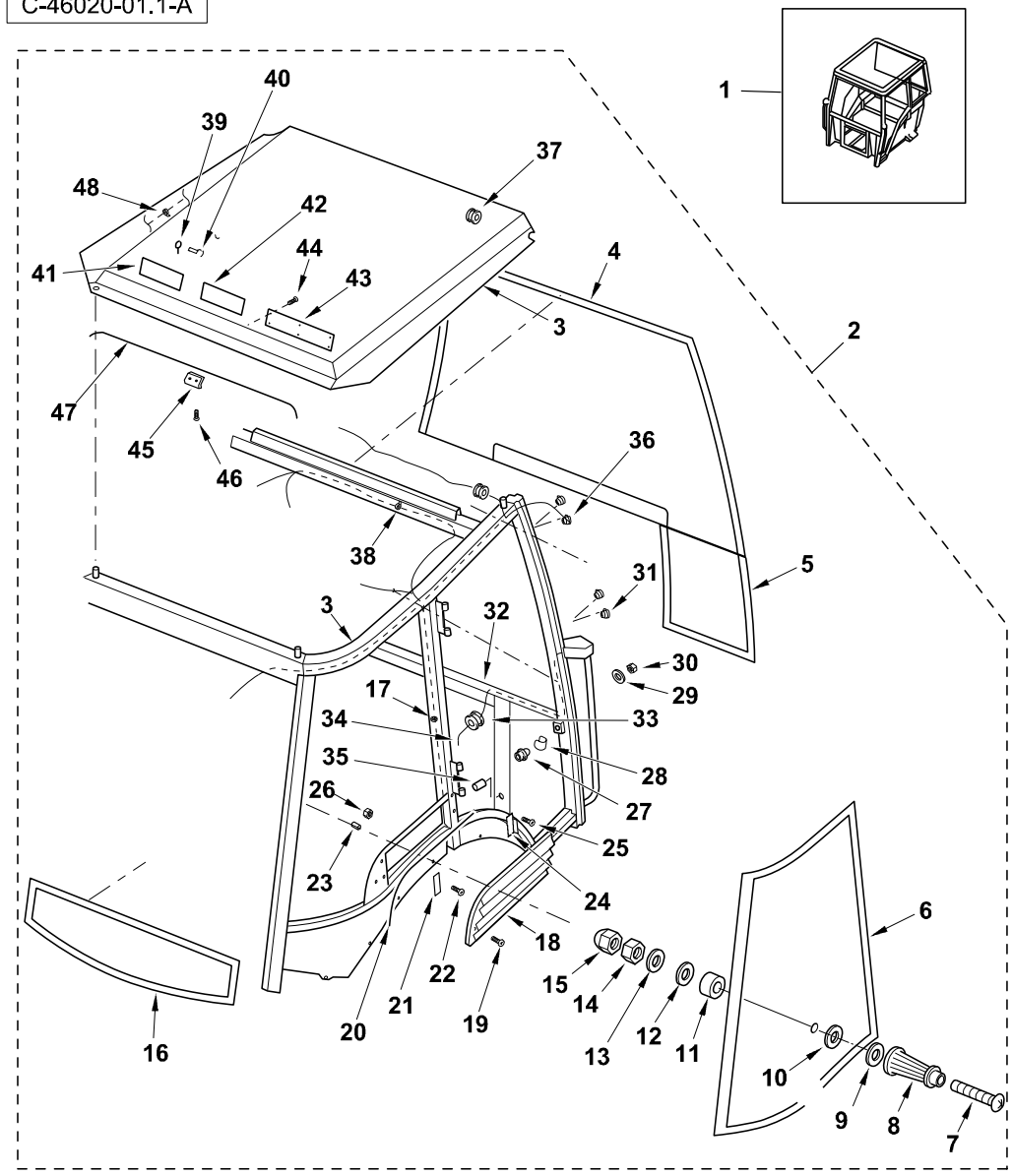


C-46020-01.1-A

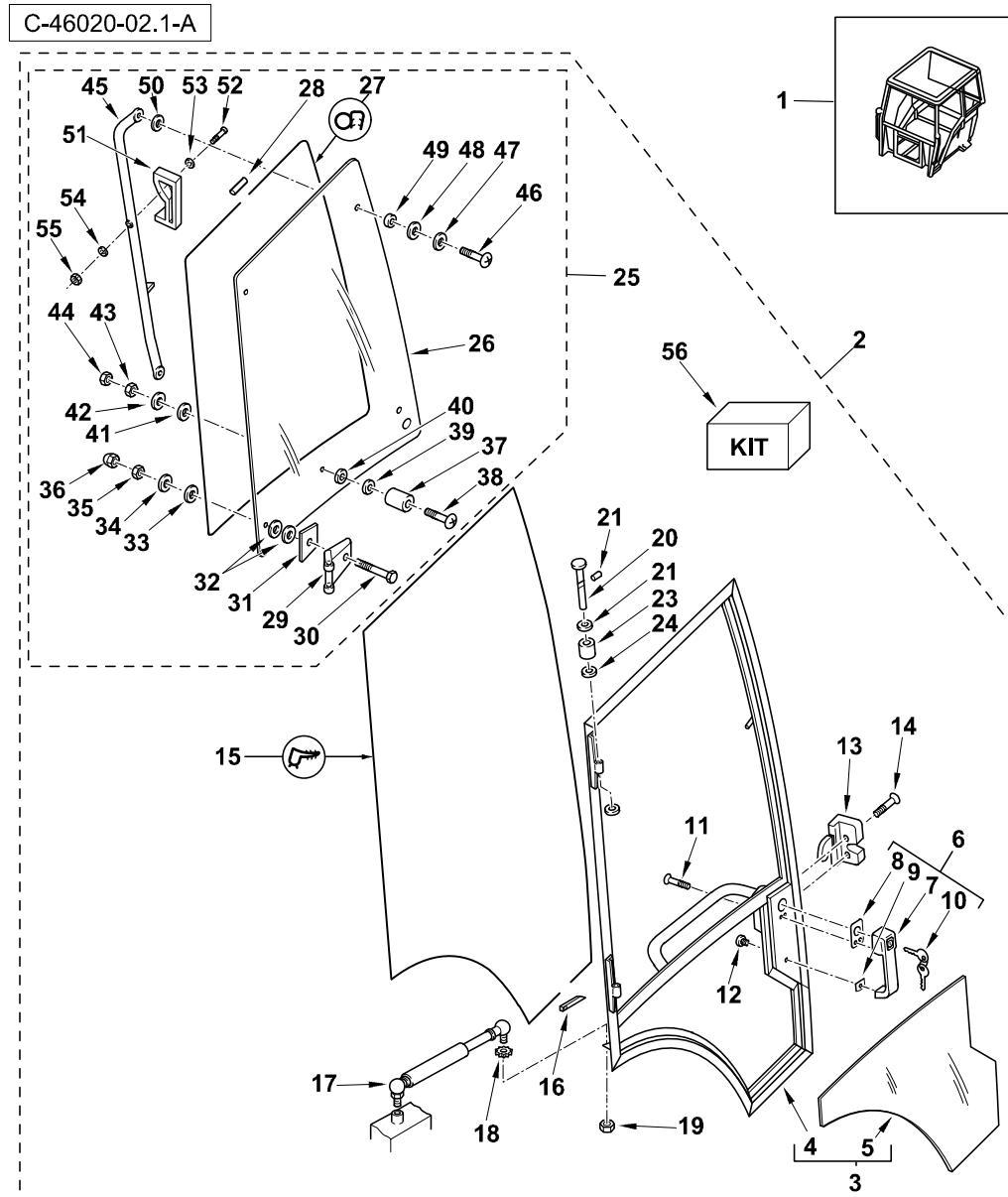


Item	Part No.	Qty.	English	French	German	Spanish	Remarks
1	T101043	1	Cab - Black - 2 Door	Cabine	Kabine	Cabina	
2	T101063	1	Cab Frame Glazed - 2 Door	Cab Frame Glazed - 2 Door	Cab Frame Glazed - 2 Door	Cab Frame Glazed - 2 Door	
3	T101065	1	Cab Frame & Welded Roof - 2 Door	Cab Frame & Welded Roof - 2 Door	Cab Frame & Welded Roof - 2 Door	Cab Frame & Welded Roof - 2 Door	
4	6099916M1	1	Windscreen - Laminated Glass	Pare Brise	Windschutzscheib	Parabrisas	
5	6099903M1	1	Plough Window RH	Vitre	Glasscheibe	Cristal	
5	6099902M1	1	Plough Window LH	Vitre	Glasscheibe	Cristal	
6	6099911M1	1	Window-Corner Rear RH	Vitre	Glasscheibe	Cristal	
6	6099910M1	1	Window-Corner Rear LH	Vitre	Glasscheibe	Cristal	
7	6099920M1	1	Door Holder	Reteneur	Halterung	Retén	
8	6099459M1	2	Screw-M6x50 (Din 912)	Vis	Schraube	Tornillo	
9	3512435M1	2	Washer M6	Rondelle	Scheibe	Arandela	
10	6099245M1	2	Washer Rubber	Rondelle Elastique	Gummischeibe	Arandela Elástica	
11	6099406M1	2	Spacer Plastic Lg:13	Entretoise	Distanzstueck	Traviesa	
12	6099245M1	2	Washer Rubber	Rondelle Elastique	Gummischeibe	Arandela Elástica	
13	3512435M1	2	Washer M6	Rondelle	Scheibe	Arandela	
14	1441500X1	2	Nut M6 Z5 Nyloc	Ecrou	Flachmutter M6	Tuerca De Retención	
15	3512502M1	1	Cap, Protective	Chapeau	Kappe	Sombbrero	
16	6099909M1	1	Window-Rear Lower	Vitre	Glasscheibe	Cristal	
17	6099460M1	6	Cable Tie	Attache Câble	Kabelbinder	Enlace De Cable	
18	6099528M1	1	Grill-Air-Filter	Grille	Gitter	Rejilla	
19	3512494M1	1	Screw M6 X 12	Vis	Schraube	Tornillo	
20	6102154M1	1	Foam Seal	Joint D'Étanchéité	Dichtungsteil	Junta De Estanqueidad	
21	6099229M1	1	Support Filter - Nla	Support De Fixation	Befestigung	Soporte De Fijación	
22	3512494M1	2	Screw M6 X 12	Vis	Schraube	Tornillo	
23	6106468M1	2	Nut-M5 Cab	Ecrou	Mutter	Tuerca	
24	6099222M1	1	Bracket Grille	Patte Fixation	Halter	Pata De Fijación	
25	3512494M1	2	Screw M6 X 12	Vis	Schraube	Tornillo	
26	6106468M1	2	Nut-M5 Cab	Ecrou	Mutter	Tuerca	
27	3512340M1	2	Striker Pin	Goupille	Bolzen	Placa De Cierre	
28	3512441M1	2	Guard Striker Pin	Protecteur	Schutz	Protector	

C-46020-01.1-A

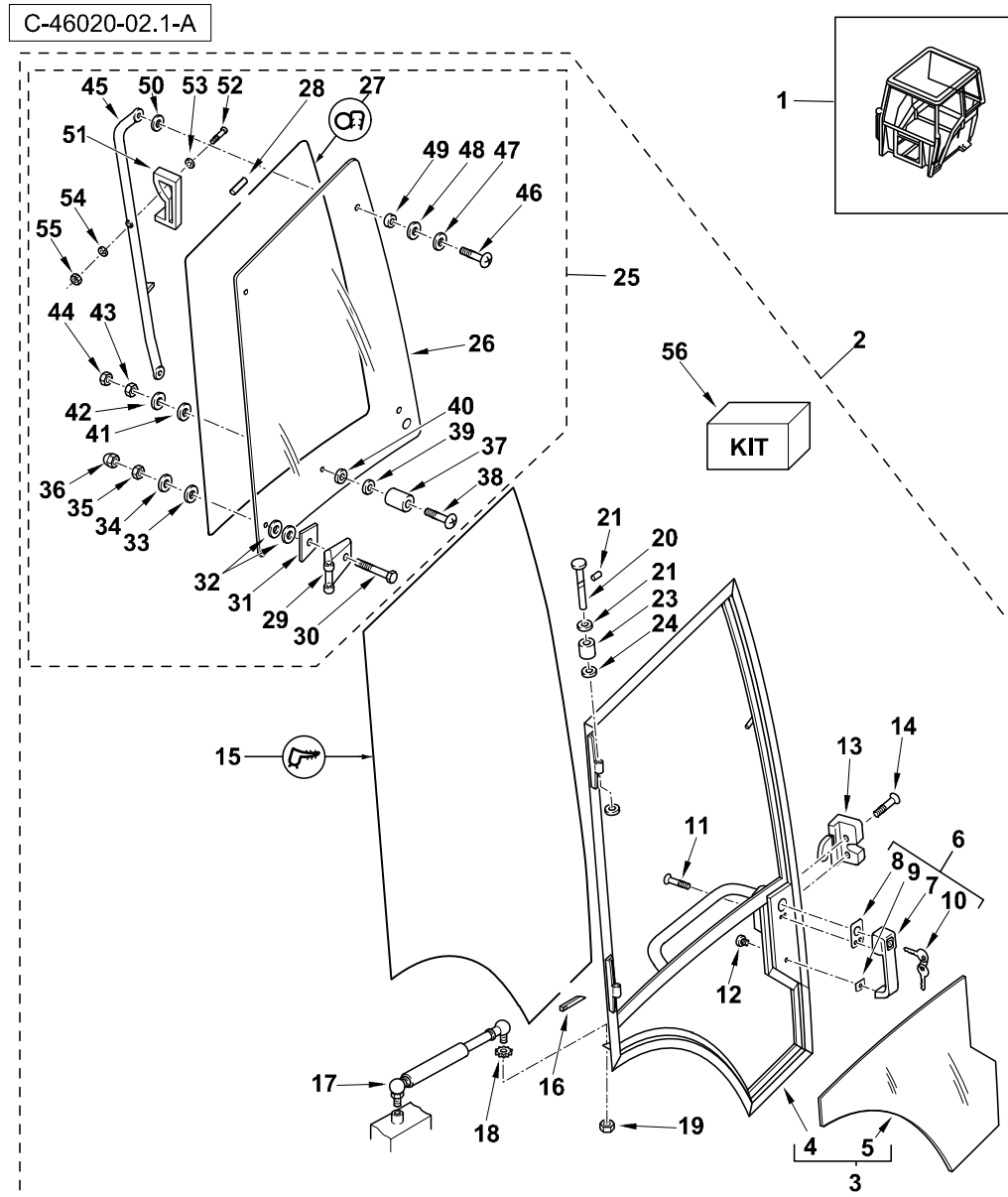


Item	Part No.	Qty.	English	French	German	Spanish	Remarks
29	3512620M1	2	Washer With Facette	Rondelle	Scheibe	Arandela	
30	3008865X1	2	Nut M12	Ecrou	Mutter	Tuerca	
31	6099408M1	4	Plug-Cab	Bouchon	Stopfen	Tapón	
32	3512805M1	2	Stop Rubber	Butée	Anschlag	Tope	
33	6099579M1	3	Grommet	Passe-Fil	Tülle	Pasa Cable	
34	6101354M91	2	Harness Headlight	Faisceau	Kabelstrang	Haz	
35	6106469M1	2	Nut-M8 Cab	Ecrou	Mutter	Tuerca	
36	6099408M1	4	Plug-Cab	Bouchon	Stopfen	Tapón	
37	6099579M1	3	Grommet	Passe-Fil	Tülle	Pasa Cable	
38	6099460M1	3	Cable Tie	Attache Câble	Kabelbinder	Enlace De Cable	
39	6099407M1	1	Hook	Crochet	Haken	Gancho	
40	6099458M1	1	Rivet-4x16,9	Rivet	Niete	Remache	
41	6002676M1	1	Plate Warning	Plaque Avertissement	Warnschild	Placa De Advertencia	
42	#PLATE, APPROVAL	1	Plate, Approval	Plate, Approval	Plate, Approval	Plate, Approval	Ref. 2
43	#PLATE, IDENTITY	1	Plate, Identity	Plate, Identity	Plate, Identity	Plate, Identity	Ref. 2
44	519566M1	12	Rivet No. 43	Rivet	Niete	Remache	
45	3512244M1	1	Grip For Handle	Attache	Befestigungsvorricht.	Eganche	
46	3512494M1	2	Screw M6 X 12	Vis	Schraube	Tornillo	
47	6099463M1	1	Seal Strip 1100mm	Bande D'Étanchéité	Dichtstreifen	Banda Estanqueidad	
48	6099460M1	5	Cable Tie	Attache Câble	Kabelbinder	Enlace De Cable	

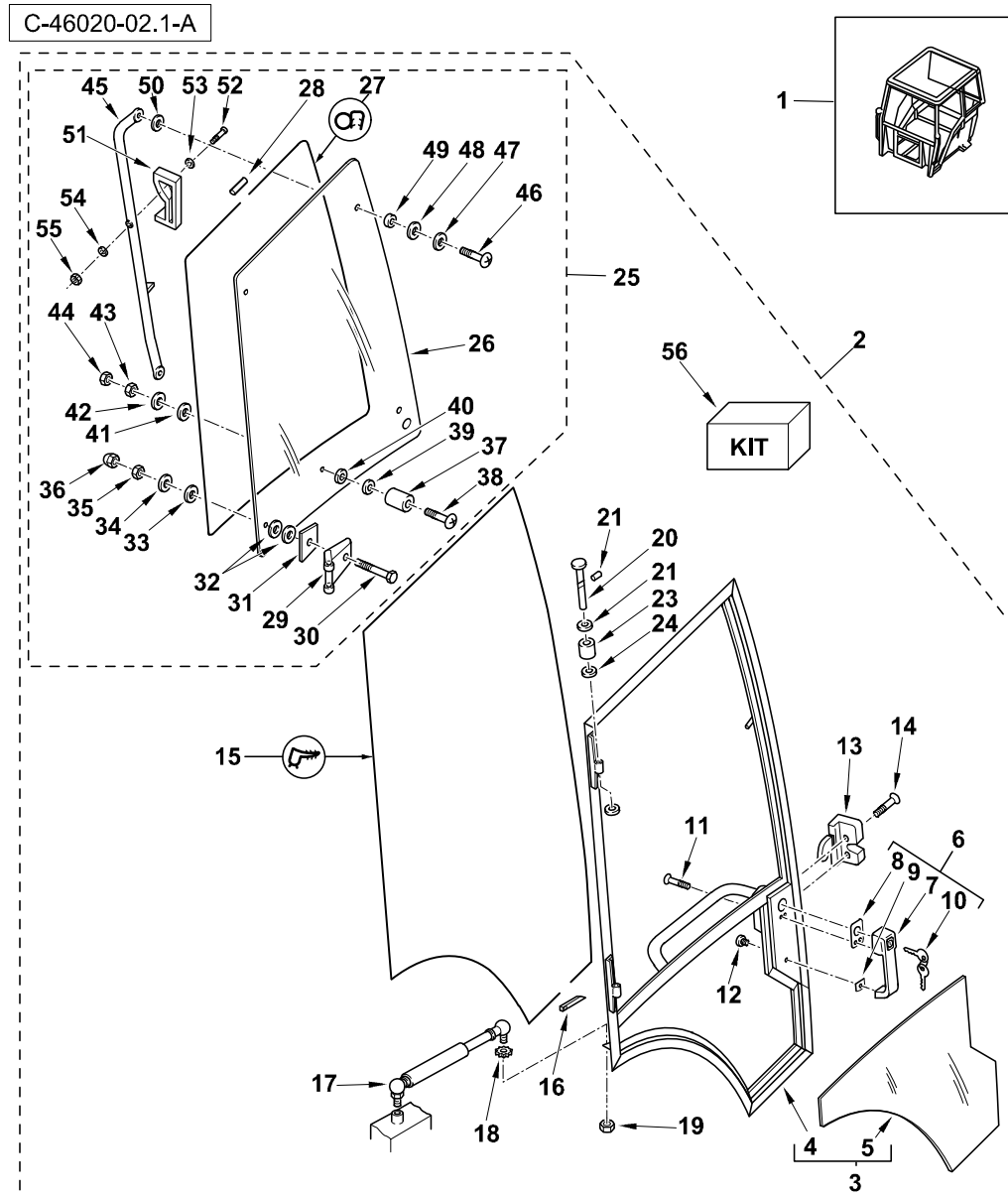


Item	Part No.	Qty.	English	French	German	Spanish	Remarks
1	T101043	1	Cab - Black - 2 Door	Cabine	Kabine	Cabina	
2	6099412M91	1	Door Assy RH	Ensemble De Porte	Tür Kpl.	Puerta, Conj.	
2	6099411M91	1	Door Assy LH	Ensemble De Porte	Tür Kpl.	Puerta, Conj.	
3	6099413M91	1	Door Frame Assy LH	Ensemble De Porte	Tür Kpl.	Bastidor, Conj.	
3	6099414M91	1	Door Frame Assy RH	Ensemble De Porte	Tür Kpl.	Bastidor, Conj.	
4	6099439M91	1	Door Frame LH Black	Ensemble De Porte	Tür Kpl.	Bastidor	
4	6099440M91	1	Door Frame RH Black	Ensemble De Porte	Tür Kpl.	Bastidor	
5	6099907M1	1	Window-Door Lower RH	Vitre	Glasscheibe	Cristal	
5	6099906M1	1	Window-Door Lower LH	Vitre	Glasscheibe	Cristal	
6	6099584M92	1	Push Button Handle	Ensemble De Poignée	Handgriff Kpl.	Empuñadura, Conj.	
7	#HANDLE	1	Handle	Handle	Handle	Handle	Ref. 6
8	6099585M1	1	Gasket Door Handle	Joint	Dichtung	Junta	
9	6099586M1	1	Gasket Door Handle	Joint	Dichtung	Junta	
10	6107891M1	1	Key, Multipurpose - 1 Pair	Clé	Schlüssel	Juego De Llaves	
11	3007934X1	3	Screw, Pan Hd. Coarse, M6 X 16, 4.8	Vis	Schraube	Tornillo	
12	3512448M1	1	Plug	Bouchon	Stopfen	Tapón	
13	3512369M91	1	Latch Assy LH	Verrou	Riegel	Cerrojo	
13	3512368M91	1	Latch Assy RH	Verrou	Verriegelung	Cerrojo	
14	3512498M1	1	Screw M8 X 30	Vis	Schraube	Tornillo	
15	6099417M1	1	Sealing Strip Lg:4400	Bande D´Etanchéité	Dichtstreifen	Banda Estanqueidad	
16	6099418M1	1	Round Pro•l Lg:50 - Nla	Articulation	Verbindung, Gelenk	Articulación	
17	3512902M92	1	Gas Strut - Cab Door	Vérin À Gaz	Gaszylinder	Gato De Gas	
18	391025X1	1	Lockwasher M8 (External Tooth)	Rondelle De Blocage	Sicherungsscheibe	Arandela De Freno	
19	394367X1	1	Nut, Hex. - Nyloc, M8	Ecrou Blocage M8	Flachmutter - M8	Tuerca De Retención	
20	3512879M1	2	Pin Hinge	Axe	Gelenkbolzen	Pasador	
21	3009420X1	2	Screw M5 X 6	Vis	Schraube	Tornillo	
22	3512619M1	7	Washer Plastic	Rondelle	Scheibe	Arandela	
23	6099231M1	4	Spacer	Entretoise	Distanzstueeck	Traviesa	
24	3512433M1	6	Washer Plastic	Rondelle	Scheibe	Arandela	
25	6099419M91	1	Top Door Window Assy LH	Ensemble De Fenêtre	Fenster Kpl.	Ventana, Conj.	

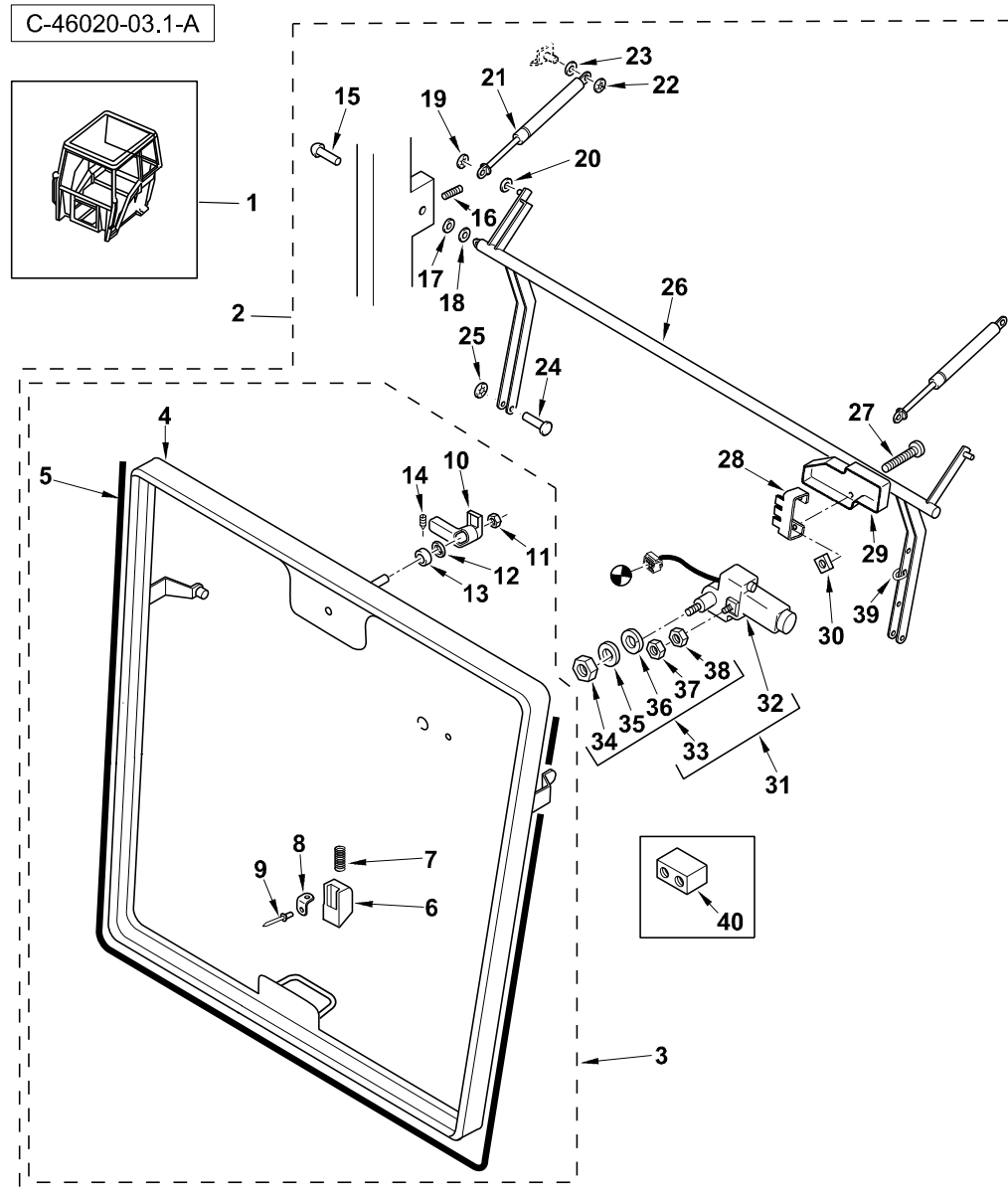




Item	Part No.	Qty.	English	French	German	Spanish	Remarks
25	6099420M91	1	Top Door Window Assy RH	Ensemble De Fenêtre	Fenster Kpl.	Ventana, Conj.	
26	6099905M1	1	Window-Door-Top RH	Vitre	Glasscheibe	Cristal	
26	6099904M1	1	Window-Door-Top LH	Vitre	Glasscheibe	Cristal	
27	6099421M1	1	Seal Strip 3400mm	Bande D Etancheite	Dichtstreifen	Banda Estanqueidad	
28	6099418M1	1	Round Pro •l Lg:50 - Nla	Articulation	Verbindung, Gelenk	Articulación	
29	3512937M1	1	Hinge	Charnière	Scharnier	Bisagra	
30	391096X1	2	Screw M6 X 35	Vis	Schraube - M6 X 35	Tornillo	
31	3512940M1	2	Spacer Rubber	Joint	Dichtring	Junta	
32	3512450M1	4	Spacer Plastic	Entretoise	Distanzstueck	Traviesa	
33	3512561M1	2	Washer Rubber	Rondelle Elastique	Gummischeibe	Arandela Elástica	
34	3512435M1	2	Washer M6	Rondelle	Scheibe	Arandela	
35	1441500X1	2	Nut M6 Z5 Nyloc	Ecrou	Flachmutter M6	Tuerca De Retención	
36	3512502M1	2	Cap, Protective	Chapeau	Kappe	Sombbrero	
37	3512363M1	1	Door Retainer	Arretoir	Befestigungsteil	Fijacion	
38	6106471M1	1	Screw M6 X 30	Vis	Schraube	Tornillo	
39	6099248M1	1	Washer Rubber	Rondelle Elastique	Gummischeibe	Arandela Elástica	
40	6099406M1	1	Spacer Plastic Lg:13	Entretoise	Distanzstueck	Traviesa	
41	3512561M1	1	Washer Rubber	Rondelle Elastique	Gummischeibe	Arandela Elástica	
42	3512435M1	1	Washer M6	Rondelle	Scheibe	Arandela	
43	1441500X1	1	Nut M6 Z5 Nyloc	Ecrou	Flachmutter M6	Tuerca De Retención	
44	3512502M1	1	Cap, Protective	Chapeau	Kappe	Sombbrero	
45	6099422M91	1	Handle Assy	Poignée Ass.	Handgriff Kplt	Empuñadura, Conj.	
46	3512392M1	2	Screw M6-25 Boa In Cab	Vis	Schraube	Tornillo	
47	3512435M1	2	Washer M6	Rondelle	Scheibe	Arandela	
48	3512561M1	2	Washer Rubber	Rondelle Elastique	Gummischeibe	Arandela Elástica	
49	3512450M1	2	Spacer Plastic	Entretoise	Distanzstueck	Traviesa	
50	3512561M1	2	Washer Rubber	Rondelle Elastique	Gummischeibe	Arandela Elástica	
51	6099423M1	1	Handle	Poignée	Handgriff	Asa	
52	391884X1	1	Bolt M6-50 Z5s	Goupille	Bolzen	Tornillo	
53	6106467M1	1	Washer-Plastic 6,4x18x2	Rondelle	Scheibe	Arandela	

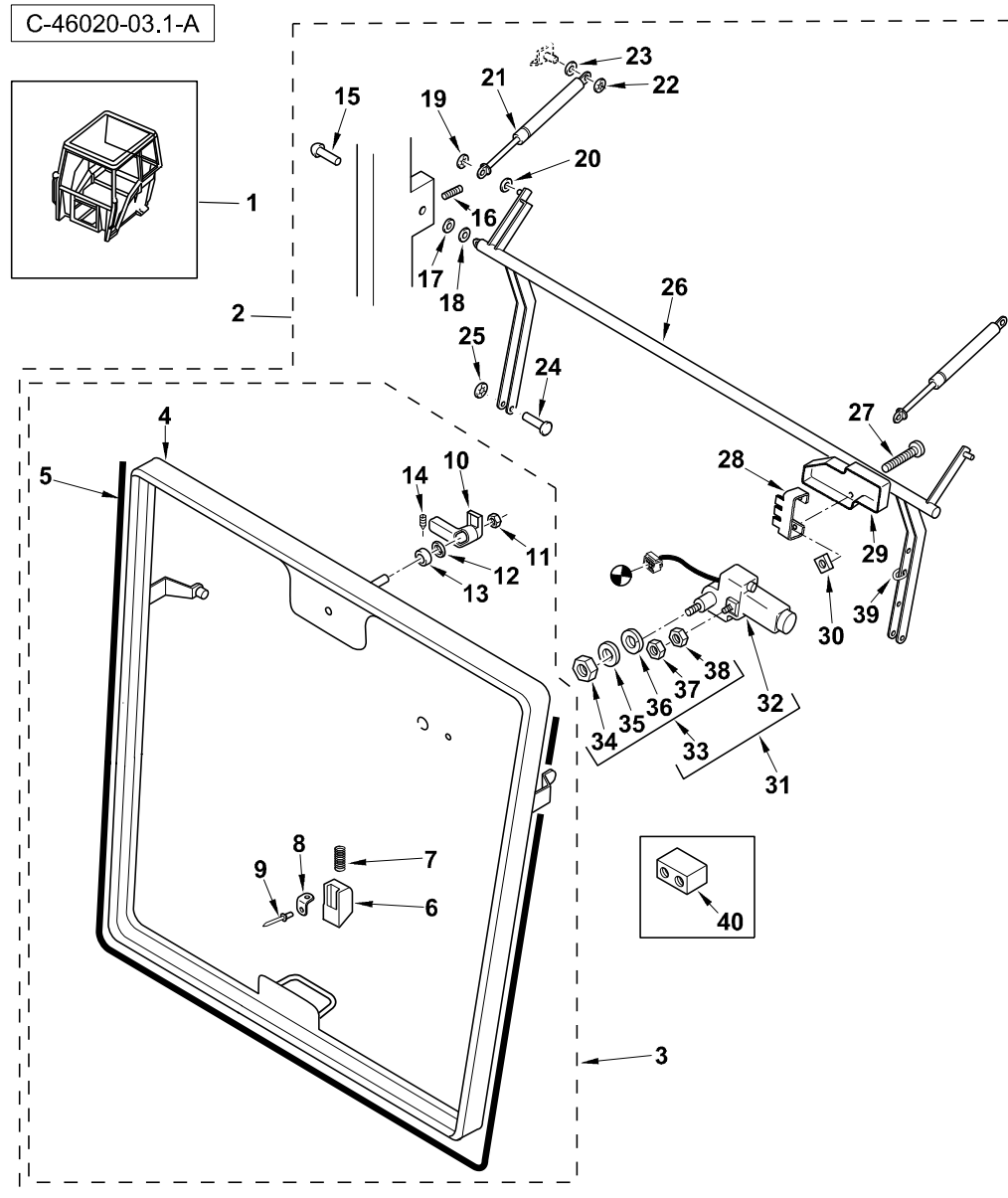


Item	Part No.	Qty.	English	French	German	Spanish	Remarks
54	1441500X1	1	Nut M6 Z5 Nyloc	Ecrou	Flachmutter M6	Tuerca De Retención	
55	3512502M1	1	Cap, Protective	Chapeau	Kappe	Sombreroete	
56	3621392M91	1	Kit - Glass Fixing	Jeu D'Adhésifs	Kleber	Empaque De Cola	

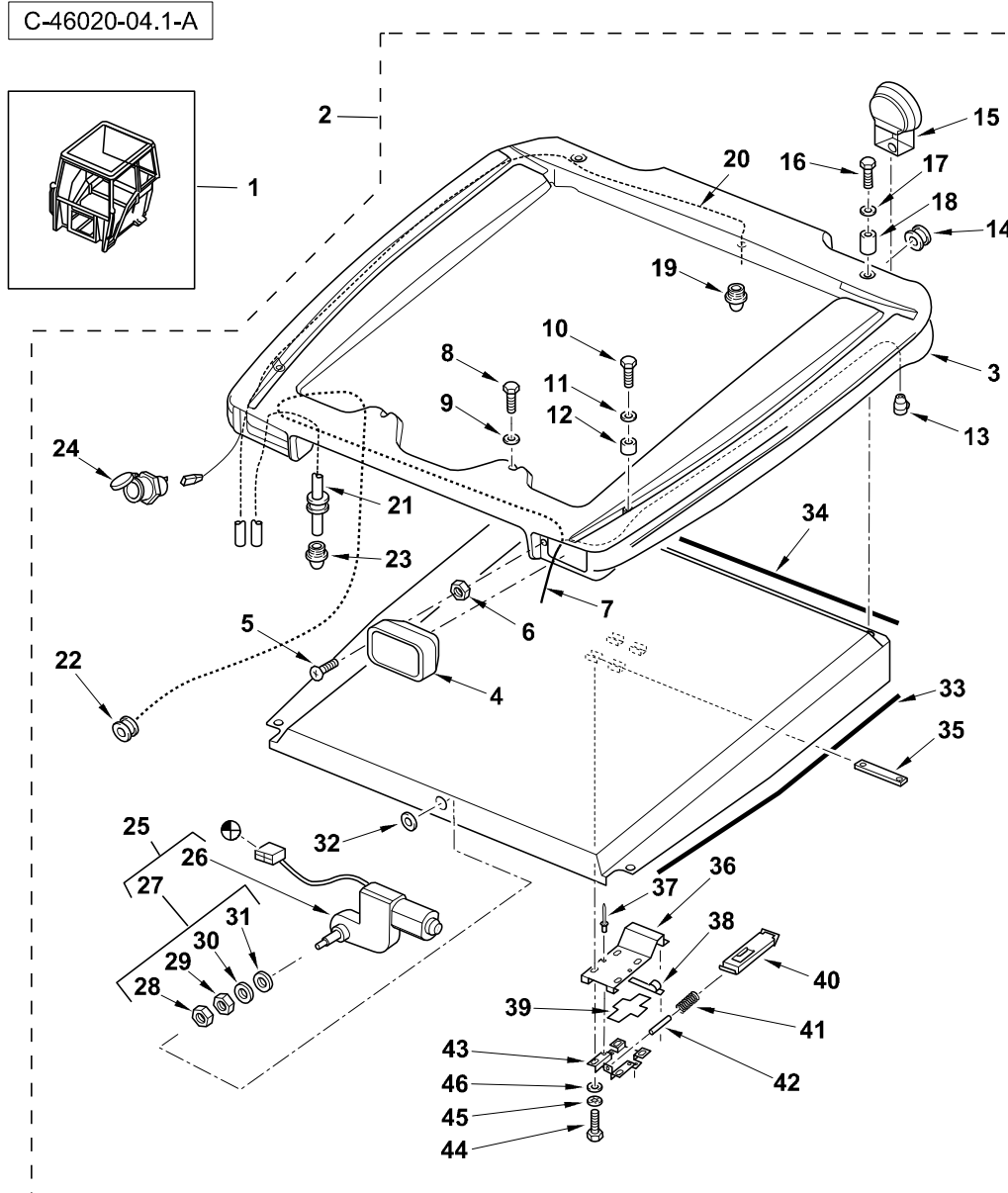


Item	Part No.	Qty.	English	French	German	Spanish	Remarks
1	T101043	1	Cab - Black - 2 Door	Cabine	Kabine	Cabina	
2	6099762M91	1	Window-Rear (Complete Assy)	Ensemble De Fenêtre	Fenster Kpl.	Ventana, Conj.	
3	6099765M91	1	Framed Glass Assy. - Rear Window	Ensemble De Fenêtre	Fenster Kpl.	Ventana, Conj.	
4	#FRAME	1	Frame	Frame	Frame	Frame	Ref. 3
5	6099763M1	1	Seal Rear Window Framed	Joint	Dichtung	Junta	
6	3512258M1	1	Pawl Rear Window Lock	Cliquet	Sperrklinke	Placa De Cierre	
7	3512255M1	1	Spring	Siège De Ressort	Federsitz	Muelle	
8	3512260M1	1	Stop Pawl	Siège De Ressort	Federsitz	Muelle	
9	522464M1	1	Rivet M3.2 X 6.	Rivet	Niete	Remache	
10	3512345M1	1	Handle Rear Window	Poignée	Handgriff	Asa	
11	3512513M1	1	Nut Brass M6	Ecrou	Mutter	Tuerca	
12	3512358M1	1	Spacer Rubber	Entretoise	Distanzstück	Traviesa	
13	3512357M1	1	Washer - 13mm X 20mm X 2mm	Rondelle	Scheibe	Arandela	
14	3512360M1	1	Grub Screw M4x1	Vis	Schraube	Tornillo	
15	6099249M1	2	Pin-F.Hinge 9.5x50	Axe	Bolzen	Pasador	
16	3009420X1	2	Screw M5 X 6	Vis	Schraube	Tornillo	
17	3512433M1	2	Washer Plastic	Rondelle	Scheibe	Arandela	
18	3512619M1	2	Washer Plastic	Rondelle	Scheibe	Arandela	
19	6099567M1	2	Ring - Self-Locking	Anneau De Retenue	Befestigungsring	Anillo De Retención	
20	6099591M1	2	Washer - Plastic, - 6.8 X 12 X 3	Rondelle	Scheibe	Arandela	
21	6099599M91	2	Gas Strut Assy	Vérin À Gaz	Gaszylinder	Gato De Gas	
22	6099567M1	2	Ring - Self-Locking	Anneau De Retenue	Befestigungsring	Anillo De Retención	
23	3512450M1	2	Spacer Plastic	Entretoise	Distanzstueck	Traviesa	
24	339229X1	2	Bolt M6-40 Z5s Lk	Boulon M6 X 40	Schraube M6 X 40	Tornillo	
25	1441500X1	2	Nut M6 Z5 Nyloc	Ecrou	Flachmutter M6	Tuerca De Retención	
26	6099610M91	1	Suspension Arm Assy	Bras	Arm	Brazo	
27	3512617M1	2	Screw Sheet Metal	Vis	Schraube	Tornillo	
28	3512257M1	1	Bracket Mounting	Patte Fixation	Halter	Soporte De Fijación	
29	6099468M1	1	Cover Rear Wiper Motor	Cache	Abdeckung	Tapa	
30	3512511M1	2	Nut M5	Ecrou	Mutter	Tuerca	



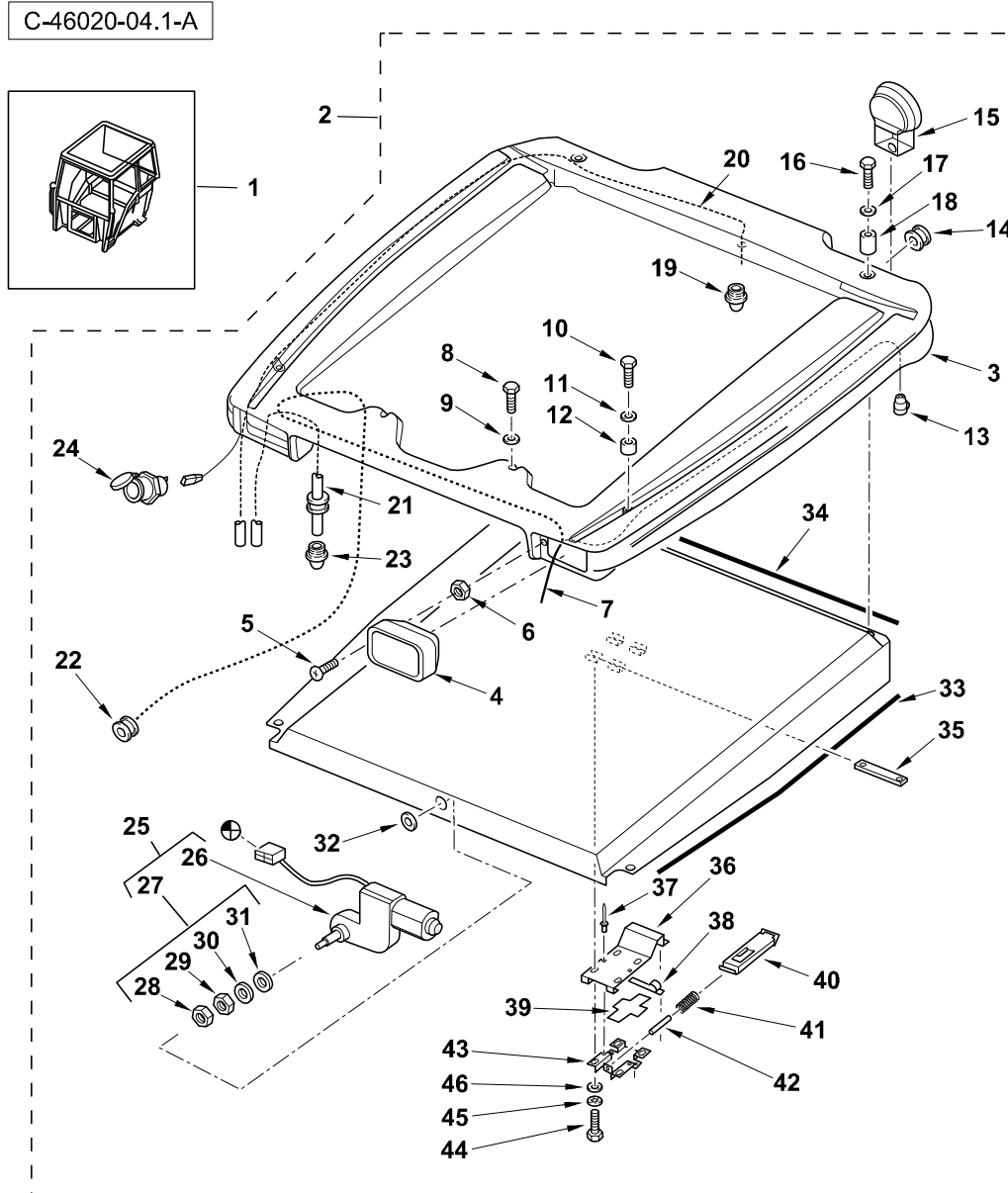


Item	Part No.	Qty.	English	French	German	Spanish	Remarks
31	3512338M91	1	Wiper Motor Rear	Moteur Essuie-Glace	Wischermotor	Motor Limpiaparabr.	
32	#MOTOR, WIPER	1	Motor, Wiper	Motor, Wiper	Motor, Wiper	Motor, Wiper	Ref. 31
33	3523335M91	1	Kit Mounting	Lot De Pièces	Ersatzteilkpaket	Juego De Piezas	
34	#NUT	1	Nut	Ecrou	Mutter	Tuerca	Ref. 33
35	#WASHER	1	Washer	Rondelle	Unterlegscheibe	Arandela	Ref. 33
36	#WASHER	1	Washer	Rondelle	Unterlegscheibe	Arandela	Ref. 33
37	#CAP	1	Cap	Chapeau	Kappe	Tapa	Ref. 33
38	#NUT	1	Nut	Ecrou	Mutter	Tuerca	Ref. 33
39	6099460M1	3	Cable Tie	Attache Câble	Kabelbinder	Enlace De Cable	
40	6099758M1	1	Spacer-Rear Window Panel Bolt	Entretoise	Distanzstück	Traviesa	



Item	Part No.	Qty.	English	French	German	Spanish	Remarks
1	T101043	1	Cab - Black - 2 Door	Cabine	Kabine	Cabina	
2	T101058	1	Roof Assy - Black	Toit		Techo	
3	T101059	1	Roof Outer - Black	Toit	Dach	Techo	
4	6101560M91	2	Work Light Assy. - Front	Ensemble Phare Travail	Arbeitslicht Kpl.	Faro De Trabajo, Conj.	
5	6099456M1	4	Screw 4,2x45 (Din 7981ch)	Vis	Schraube	Tornillo	
6	6101590M1	4	Nut "U" M4	Ecrou	Mutter	Tuerca En U	
7	6112778M91	1	Cab Roof Harness With Roof Lights	Ensemble De Faisceau	Kabelstrang Kpl.	Haz, Conj.	
8	3512555M1	2	Screw, Pan Head - M5 X 10	Vis	Schraube	Tornillo	
9	6099561M1	2	Washer-Lartge	Rondelle	Scheibe	Arandela	
10	3009505X1	2	Hex. Bolt, M12 X 25 - Coarse	Boulon	Bolzen M12 X 25	Perno	
11	6099562M1	2	Washer	Rondelle	Scheibe	Arandela	
12	6099563M1	2	Spacer	Entretoise	Distanzstück	Traviesa	
13	3517621M91	1	Socket Auxiliary	Corps Rotule	Steckdose 12v	Toma De Corriente	
14	6099447M1	2	Grommet 22x28x4	Passe-Fil	Tülle	Pasa Cable	
15	6110033M91	2	Worklight - Rear	Ensemble Phare Trava	Arbeitsscheinwerfer Kpl.	Faro De Trabajo, Conj	
16	3009509X1	2	Bolt M12 X 45 (1.75) Zinc (Iso 8.8)	Boulon M12 X 45	Schraube M12 X 45	Tornillo	
17	6099562M1	2	Washer	Rondelle	Scheibe	Arandela	
18	6099564M1	2	Spacer	Entretoise	Distanzstück	Traviesa	
19	3512320M1	1	Nozzle Jet Washer	Diffuseur	Luftdüse	Difusor	
20	3522641M4	1	Tube Flexible Boa Cab	Flexible	Schlauch	Tube Flexible	
21	3522640M3	1	Boa Tube Flexible Cab	Flexible	Schlauch	Tube Flexible	
22	6099457M1	1	Grommet 20x26	Passe-Fil	Tülle	Pasa Cable	
23	3512320M1	1	Nozzle Jet Washer	Diffuseur	Luftdüse	Difusor	
24	3517621M91	1	Socket Auxiliary	Corps Rotule	Steckdose 12v	Toma De Corriente	
25	3504311M91	1	Motor - Wiper Front	Moteur Essuie-Glace	Wischemotor	Motor Limpiaparabr.	
26	#MOTOR, WIPER	1	Motor, Wiper	Motor, Wiper	Motor, Wiper	Motor, Wiper	Ref. 25
27	3523336M91	1	Kit Mounting	Lot De Pièces	Ersatzteilpaket	Juego De Piezas	
28	#CAP	1	Cap	Chapeau	Kappe	Tapa	Ref. 27
29	#NUT	1	Nut	Ecrou	Mutter	Tuerca	Ref. 27
30	#WASHER	1	Washer	Rondelle	Unterlegscheibe	Arandela	Ref. 27

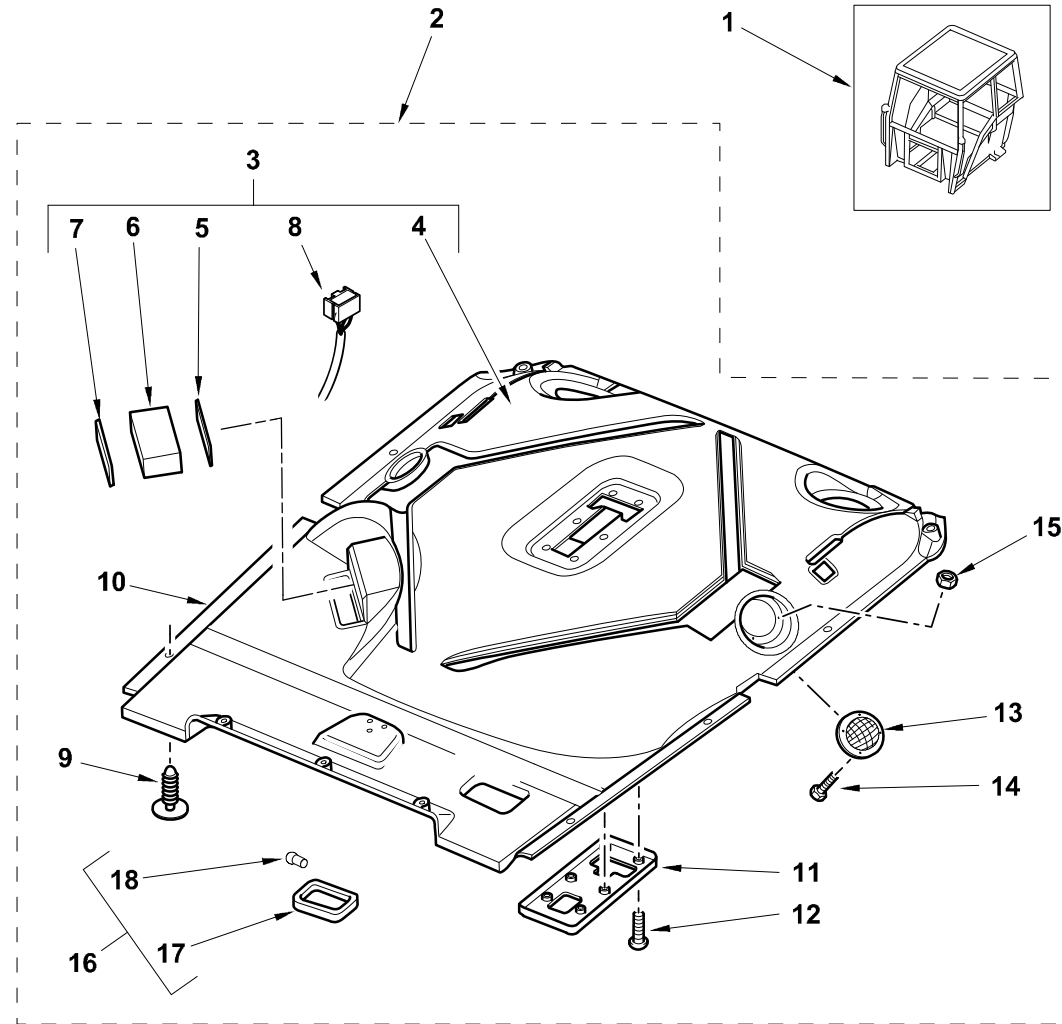




Item	Part No.	Qty.	English	French	German	Spanish	Remarks
31	#WASHER	1	Washer	Rondelle	Unterlegscheibe	Arandela	Ref. 27
32	3019881X1	1	Washer-Lock M16	Rondelle Frein	Scheibe, Sicherungs-	Arandela De Freno	
33	6099454M1	2	Seal Strip 1200mm	Bande D'Étanchéité	Dichtstreifen	Junta	
34	6099455M1	1	Seal Strip 1100mm	Bande D'Étanchéité	Dichtstreifen	Junta	
35	3512591M1	2	Bracket Mounting	Plaque	Platte	Placa	
36	6099592M1	1	Plate-Support Rear Window	Support De Fixation	Befestigung	Soporte De Fijación	
37	6099595M1	2	Rivet-Blind	Rivet	Niete	Remache	
38	3512475M1	1	Seal, Foam	Joint D'Étanchéité	Dichtungsteil	Junta De Estanqueidad	
39	6099265M1	1	Spacer Plastic	Entretoise	Distanzstück	Traviesa	
40	6099593M1	1	Pawl-Rr Window Holder Weldd D	Verrou	Verriegelung	Cerrojo	
41	6099594M1	1	Spring	Siège De Ressort	Federsitz	Muelle	
42	1442357X1	1	Roll Pin	Goupille Elastique	Spannstift	Pasador Elástico	
43	6099596M1	1	Bracket Latch Assy	Patte Fixation	Halter	Pata De Fijación	
44	339123X1	4	Bolt M8-20 Z5f	Boulon M8 X 20	Maschschraube M8	Perno	
45	391025X1	4	Lockwasher M8 (External Tooth)	Rondelle De Blocage	Sicherungsscheibe	Arandela De Freno	
46	390972X1	4	Washer M8-17-1 Zwl	Rondelle M8	Scheibe - M8	Arandela	



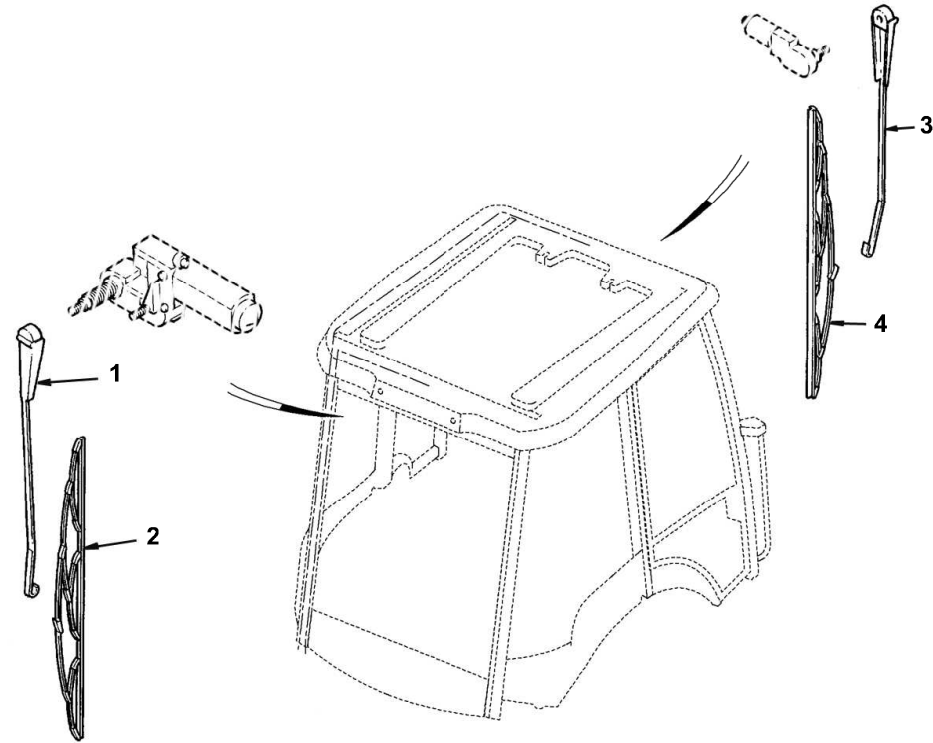
C-46020-05.1-A



Item	Part No.	Qty.	English	French	German	Spanish	Remarks
1	T101043	1	Cab - Black - 2 Door	Cabine	Kabine	Cabina	
2	6099405M93	1	Roof Assy Inner	Ensemble De Toit	Dach Kpl.	Techo, Conj.	
3	6099771M91	1	Roof Liner	Pavillon	Kabinenhimmel	Pabellón	
4	#LINING	1	Lining	Lining	Lining	Lining	Ref. 3
5	#PLATE, BACKING	1	Plate, Backing	Plate, Backing	Plate, Backing	Plate, Backing	Ref. 3
6	6109772M1	1	Housing - Radio	Carter	Gehäuse	Cárter	
7	6109775M1	1	Panel - Radio Blank	Cache	Abdeckung	Tapa	
8	6109777M91	1	Harness - Radio Speakers	Faisceau	Beschirrung	Haz, Conj.	
9	6102077M1	14	Fastener Fir Tree	Attache	Befestigungsvorrichtung	Eganche	
10	6099461M1	2	Pro•le	Pro•le	Pro•l	Per•l	
11	6099247M1	1	Cover-Inner Roof	Cache	Abdeckung	Tapa	
12	3512617M1	6	Screw Sheet Metal	Vis	Schraube	Tornillo	
13	3516210M1	2	Grille Speaker	Grille	Grill	Rejilla	
14	6099448M1	8	Screw-4,8x25 (Din 7985)	Vis	Schraube	Tornillo	
15	3512511M1	8	Nut M5	Ecrou	Mutter	Tuerca	
16	3516209M92	1	Light Interior	Éclairage Intérieur	Innenbeleuchtung	Iluminación Interior	
17	#LAMP	1	Lamp	Lamp	Lamp	Lamp	Ref. 16
18	3523441M1	1	Bulb Festoon 12v.10w	Lampe	Lampe	Lámpara	



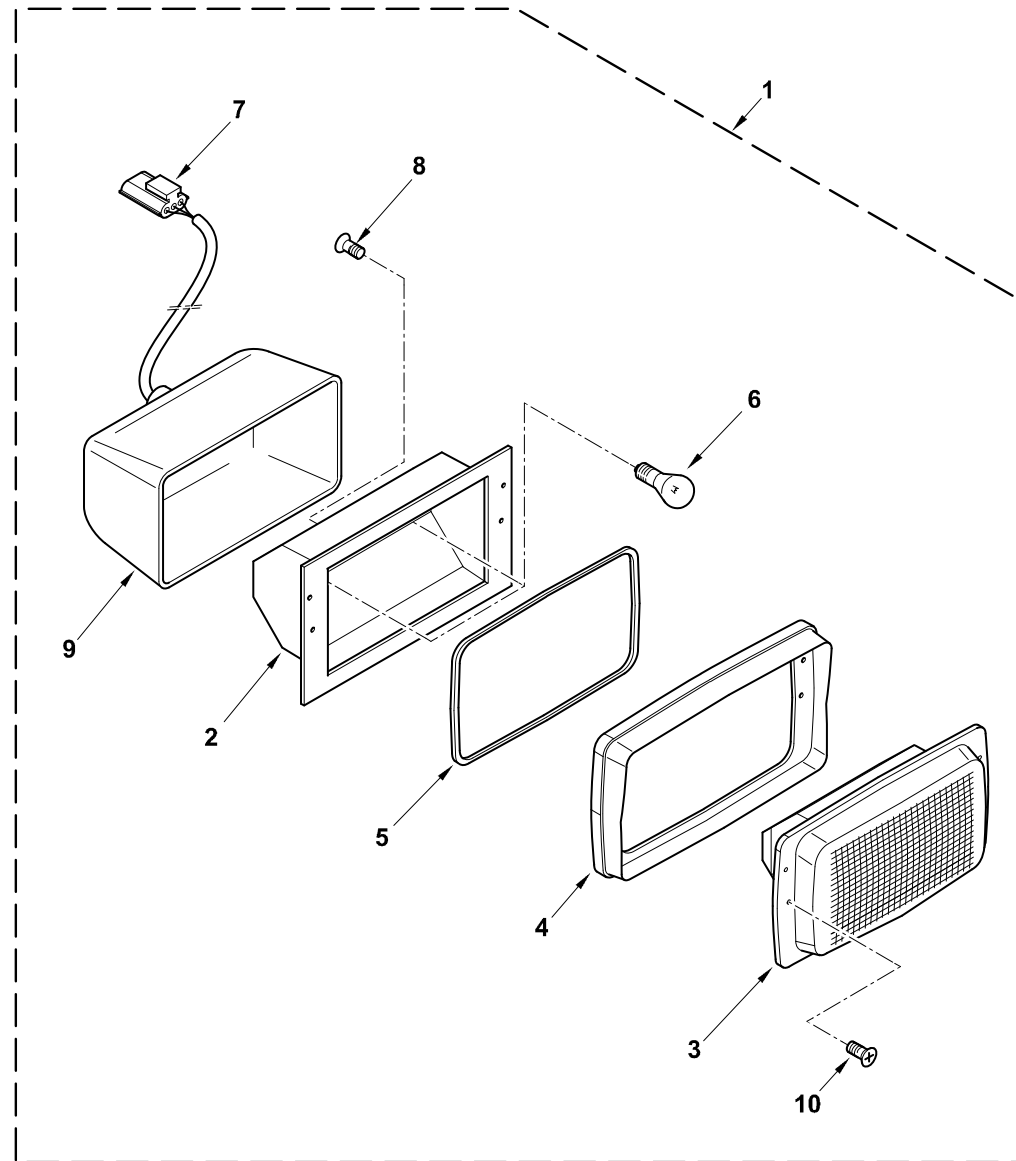
C-46020-06.1-A



Item	Part No.	Qty.	English	French	German	Spanish	Remarks
1	1473848M92	1	Arm Wiper Rear	Porte Balai	Wischerarm	Brazo Limpiaparabrisas	
2	1473847M91	1	Blade Wiper Fr/Rr	Balai D'Essuie-Glace	Wischerblatt	Escobilla Limpiaparabr.	
3	3512477M91	1	Arm Wiper Front	Porte Balai	Wischerarm	Brazo Limpiaparabrisas	
4	1473847M91	1	Blade Wiper Fr/Rr	Balai D'Essuie-Glace	Wischerblatt	Escobilla Limpiaparabr.	



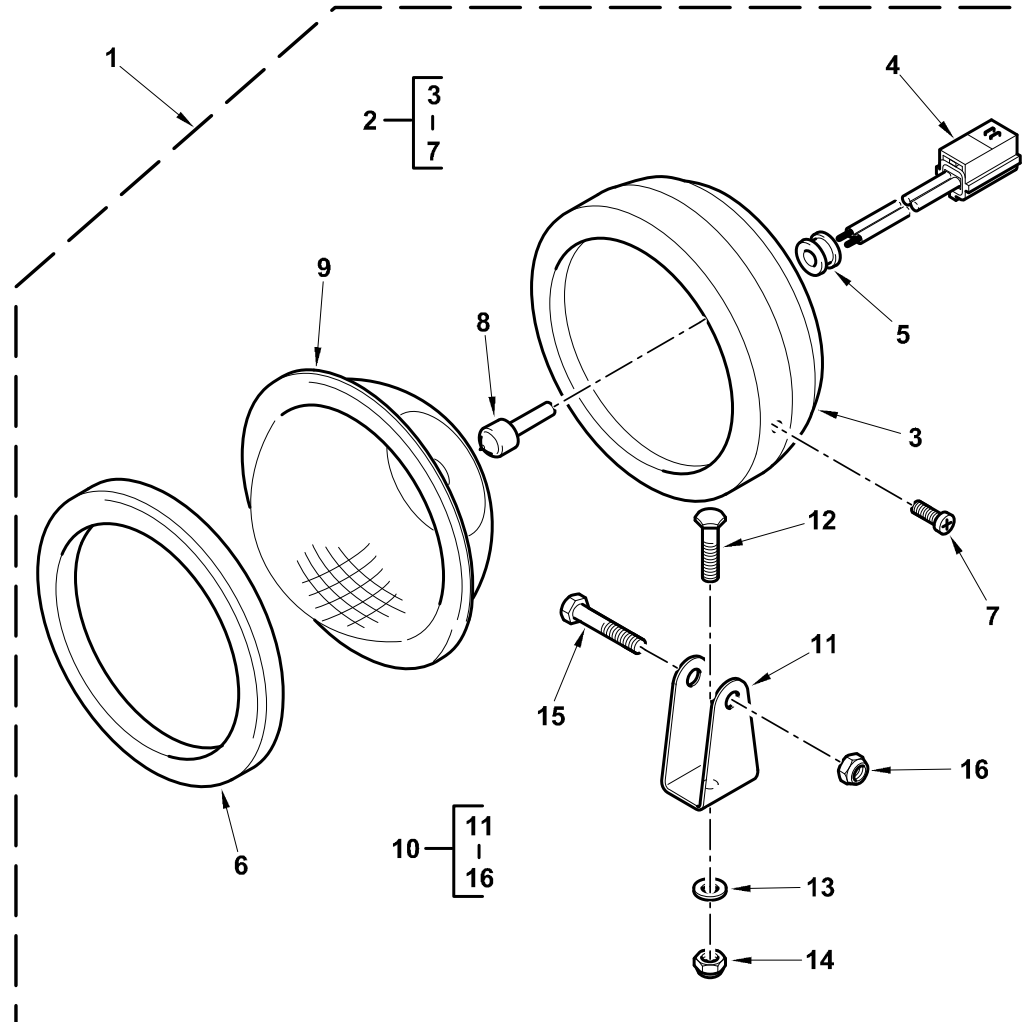
C-46020-07.1-A



Item	Part No.	Qty.	English	French	German	Spanish	Remarks
1	6101560M91	1	Work Light Assy. - Front	Ensemble Phare Travail	Arbeitslicht Kpl.	Faro De Trabajo, Conj.	
2	#REFLECTOR	1	Re•ector	Re•ector	Re•ector	Re•ector	Ref. 1
3	6190753M91	1	Lens Assy Worklight	Lentille	Streuscheibe	Lente	
4	6190754M91	1	Rim Worklight	Jante	Feige	Corona	
5	#SEAL	1	Seal	Joint Étanchéité	Dichtring	Retén	Ref. 1
6	3523689M1	2	Bulb 12v.55w	Lampe	Lampe	Lámpara	
7	6190755M91	1	Harness Worklight	Faisceau	Kabelstrang	Haz	
8	#SCREW	1	Screw	Vis	Schraube	Tornillo	Ref. 1
9	#BODY	1	Body	Body	Body	Body	Ref. 1
10	#SCREW	2	Screw	Vis	Schraube	Tornillo	Ref. 1



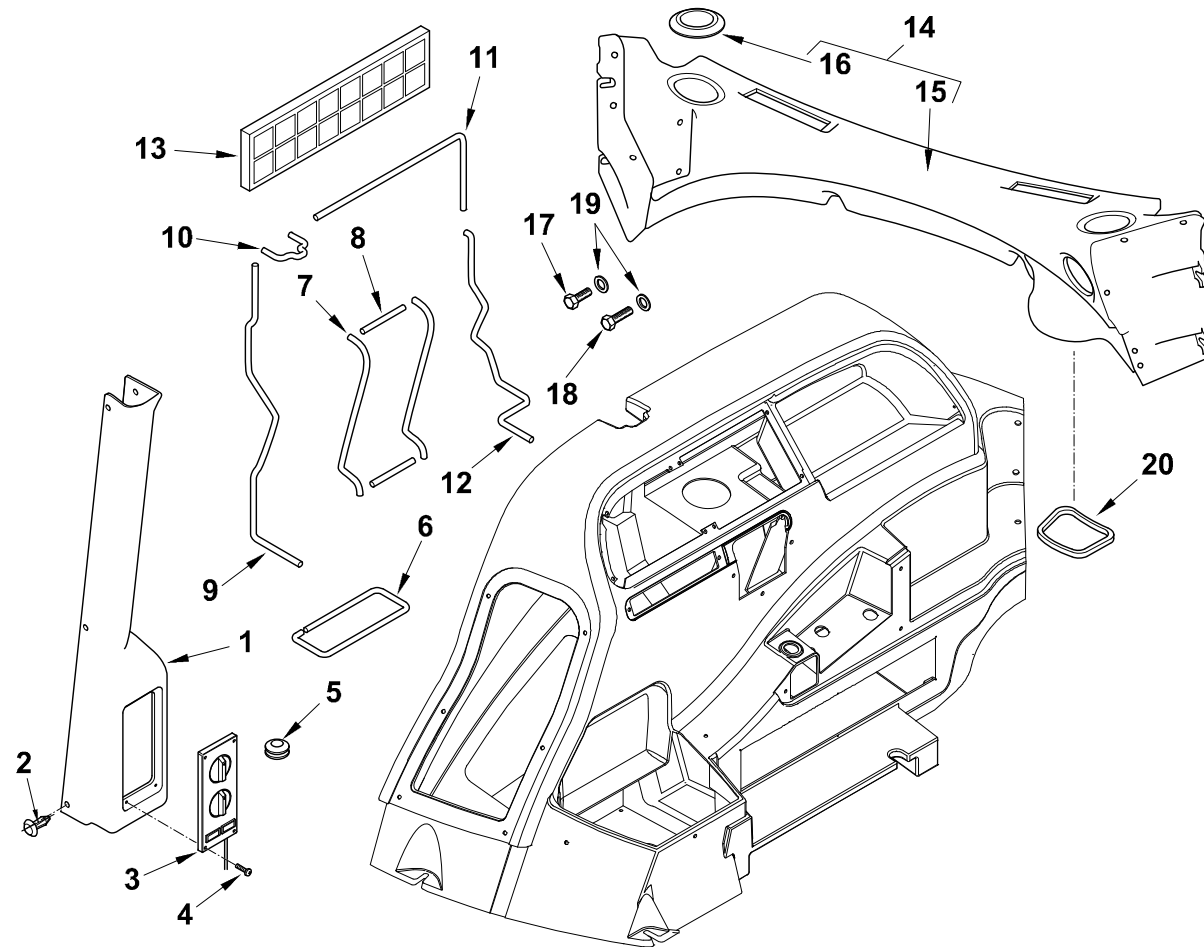
C-46020-08.1-A



Item	Part No.	Qty.	English	French	German	Spanish	Remarks
1	6110033M91	2	Worklight - Rear	Ensemble Phare Trava	Arbeitsscheinwerfer Kpl.	Faro De Trabajo, Conj	
2	6194001M91	1	Housing,Harness,Gasket,Screws	Lot De Pièces	Ersatzteilpaket	Juego De Piezas	
3	#BODY	1	Body	Body	Body	Body	Ref. 2
4	#HARNES	1	Harness	Harness	Harness	Harness	Ref. 2
5	#GROMMET	1	Grommet	Grommet	Grommet	Grommet	Ref. 2
6	#RIM	1	Rim	Rim	Rim	Rim	Ref. 2
7	#SCREW	1	Screw	Vis	Schraube	Tornillo	Ref. 2
8	3523689M1	1	Bulb 12v.55w	Lampe	Lampe	Lámpara	
9	6194002M91	1	Light Unit Without Bulb	Catadioptr	Rückstrahler	Re•ector	
10	6194003M91	1	Kit - Bracket + Hardwear (Worklamp)	Patte Fixation	Halter	Juego De Piezas	
11	#BRACKET	1	Bracket	Bracket	Bracket	Bracket	Ref. 10
12	#BOLT	1	Bolt	Boulon	Schraubbolzen	Perno	Ref. 10
13	#WASHER	1	Washer	Rondelle	Unterlegscheibe	Arandela	Ref. 10
14	#NUT	1	Nut	Ecrou	Mutter	Tuerca	Ref. 10
15	#BOLT	1	Bolt	Boulon	Schraubbolzen	Perno	Ref. 10
16	#NUT	1	Nut	Ecrou	Mutter	Tuerca	Ref. 10



C-46020-09.1-A



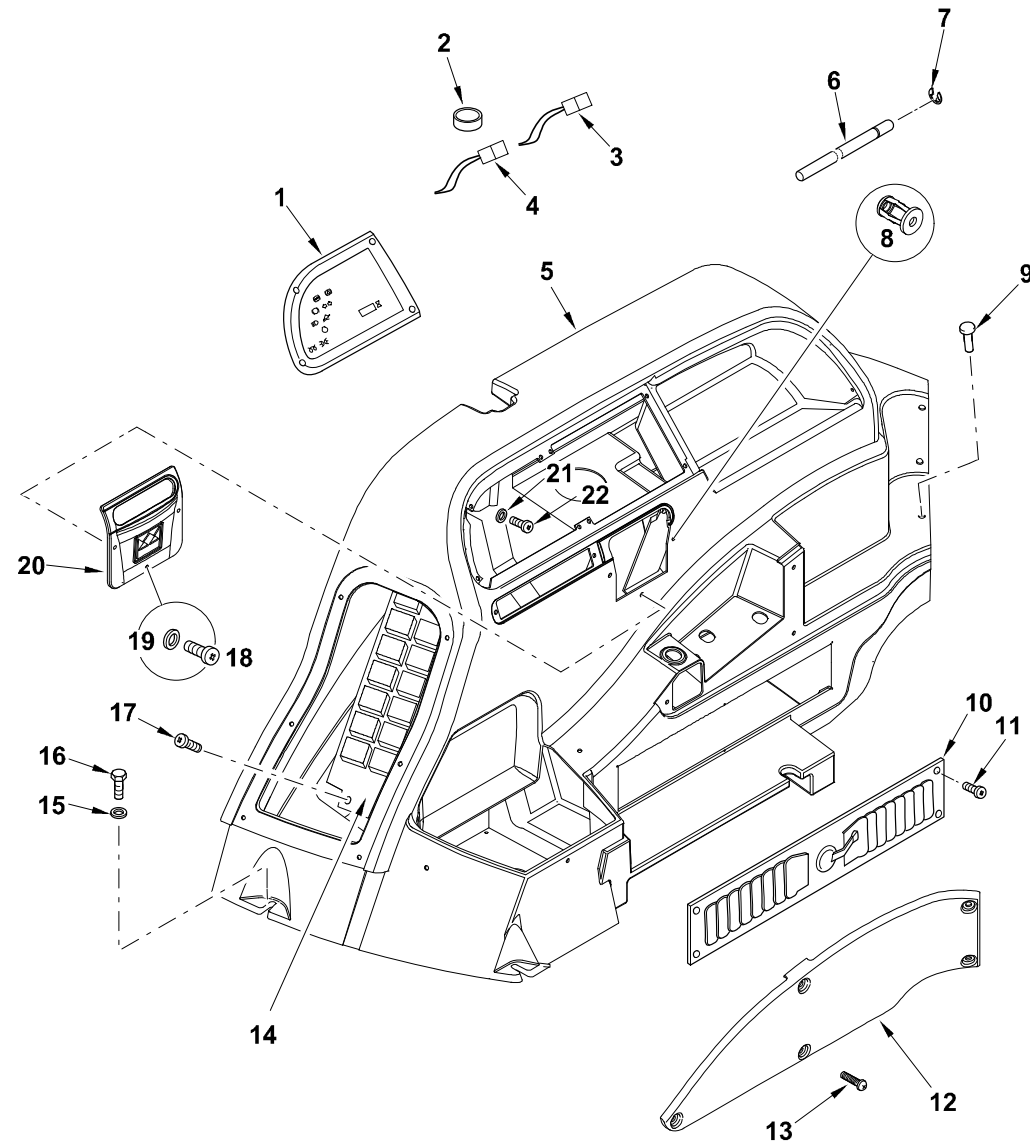
Item	Part No.	Qty.	English	French	German	Spanish	Remarks
1	T101052	1	Cover - B-Post (Black)	Couvercle	Deckel	Cubierta	
2	6101591M1	5	Fastener - "Scrivet"	Rivet	Niete	Remache	
3	6111549M91	1	Panel- Heater Control	Ensemble Commutat.	Schalter Kpl.	Conmutador, Conj.	
4	3522735M4	4	Screw M3 .5 X 20	Vis Autotaraud	Schneidschraube	Tornillo	
5	6101552M1	1	Grommet-Split	Passe-Fil	Tülle	Pasa Cable	
6	6101699M1	1	Seal-Foam-Console-Rh	Joint	Dichtung	Junta	
7	6101694M1	2	Seal-Foam-Console-Rh	Joint	Dichtung	Junta	
8	6101769M1	2	Seal-Foam H/Brake H/Throttlele	Joint	Dichtung	Junta	
9	6101695M1	1	Seal-Foam-Console-Rh	Joint	Dichtung	Junta	
10	6101698M1	1	Seal-Foam-Console-Rh	Joint	Dichtung	Junta	
11	6101697M1	1	Seal-Foam-Console-Rh	Joint	Dichtung	Junta	
12	6101696M1	1	Seal-Foam-Console-Rh	Joint	Dichtung	Junta	
13	6101501M1	1	Filter	Filtre	Filter	Filtro	
14	T101050	1	Moulding - Rear Assy (Black)	Moulure	Pressling	Bordon	
15	T101051	1	Moulding Rear	Moulding Rear	Moulding Rear	Moulding Rear	
16	6101499M1	6	Nozzle-Round-Heater/Air Con N	Diffuseur	Luftduse	Difusor	
17	339666X1	4	Bolt M6-20 Z5f	Boulon M6 X 20	Maschschraube Metr M	Tornillo	
18	339804X1	2	Bolt, Hex, - M6 X 25	Goupille	Maschschrb Metr - M6	Tornillo	
19	3516109M1	6	Washer Fender Spacer	Rondelle	Scheibe	Arandela	
20	6101636M1	1	Seal-Foam-Rear	Joint	Dichtung	Junta	

THIS PAGE INTENTIONALLY LEFT BLANK

Item	Part No.	Qty.	English	French	German	Spanish	Remarks
1	T101048	1	Console Assy LH (Black)	Console	Konsole	Consola	
2	T101049	1	Console LH	Console LH	Console LH	Console LH	
3	6101503M91	1	Ashtray-Wall Mounted	Cendrier	Aschenbecher	Cenicero	
4	6101591M1	3	Fastener - "Scrivet"	Rivet	Niete	Remache	
5	1440922X1	1	Bolt M6-60 (Hammer)	Goupille	Bolzen M6 X 60	Tornillo	
6	3516109M1	1	Washer Fender Spacer	Rondelle	Scheibe	Arandela	
7	339262X1	2	Bolt M6-30 Z5s	Boulon - M6 X 30	Schraube - M6 X 30	Perno	
8	3516109M1	2	Washer Fender Spacer	Rondelle	Scheibe	Arandela	
9	339804X1	1	Bolt, Hex, - M6 X 25	Goupille	Maschschrb Metr - M6	Tornillo	
10	3516109M1	1	Washer Fender Spacer	Rondelle	Scheibe	Arandela	
11	6108072M1	2	Grommet-Blind	Passe-Fil	Gummituelle	Pasa Cable	
12	6108074M1	4	Fastener=-Fir Tree	Attache	Halteklammer	Enganche	



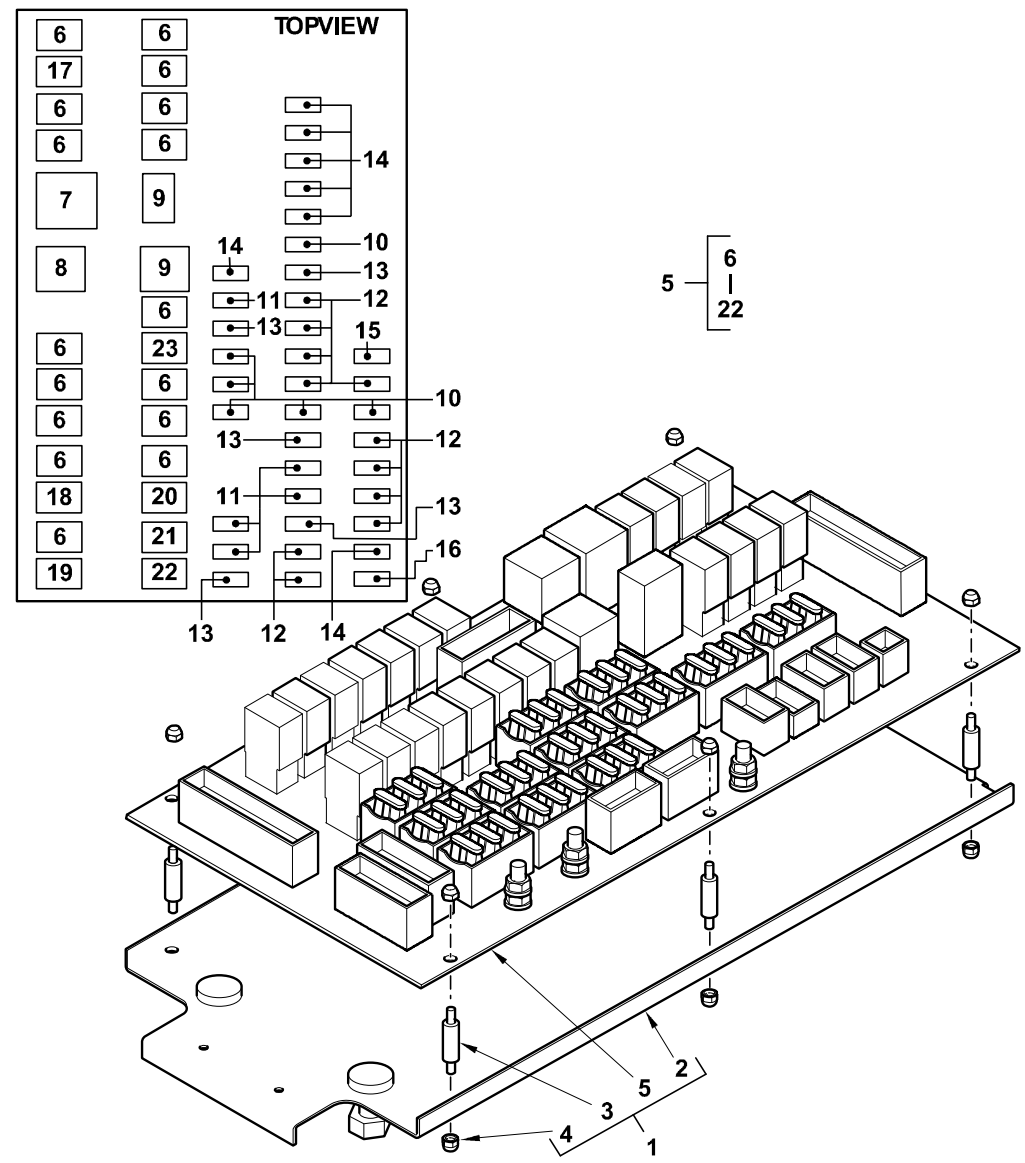
C-46020-11.1-A



Item	Part No.	Qty.	English	French	German	Spanish	Remarks
1	T101060	1	Instrument Pack - RH Console - Black	Groupe D'instr. Bord	Instrumentensatz	Grupo Instrs. Abordo	
2	6102479M1	1	Bung-Harness Retaining	Passe-Fil	Tülle	Pasa Cable	
3	6110158M92	1	Harness - Ignition	Faisceau	Beschirrung	Haz, Conj.	
4	6102229M92	1	Harness-Switchpack Accessory	Ensemble De Faisceau	Kabelstrang Kpl.	Haz, Conj.	
5	T101055	1	Console RH	Console RH	Console RH	Console RH	
6	T101168	1	Rod - Retaining	Tringle	Stange	Varilla	
7	3000115X1	1	Clip-Spring	Segment D'Arrêt	Sicherungsring	Circlip	
8	6114185M1	9	M5 Jack Nut	Ecrou Special - M5	Spezialmutter - M5	Tuerca Especial - M5	
9	6101591M1	3	Fastener - "Scrivet"	Rivet	Niete	Remache	
10	6101500M2	1	Louvre-Rh Side Console	Diffuseur	Luftdüse	Rejilla	
11	3522735M4	6	Screw M3 .5 X 20	Vis Autotaraud	Schneidschraube	Tornillo	
12	T101053	1	Cover - Handbrake (Black)	Couvercle	Deckel	Cubierta	
13	6101591M1	5	Fastener - "Scrivet"	Rivet	Niete	Remache	
14	6108707M93	1	Board-Relay/Fuse Assy	Tableau Fusible/Relais	Sicherung / Relaiskarte	Tablero Fusibles/Reles	
15	3516109M1	2	Washer Fender Spacer	Rondelle	Scheibe	Arandela	
16	339804X1	2	Bolt, Hex, - M6 X 25	Goupille	Maschschrb Metr - M6	Tornillo	
17	1472524M2	2	Screw 10-0.62 Ncb1 Pan	Vis	Schraube	Tornillo	
18	6110701M1	3	Screw M5 X 25 Lg - Pan Head	Vis	Schraube	Tornillo	
19	3512553M1	3	Washer Large M5	Rondelle - M5	Scheibe - M5	Arandela	
20	T101056	1	Cover - Handthrottle (Black)	Couvercle	Deckel	Cubierta	
21	391038X1	1	Washer M6 - Large Zinc Hardened	Rondelle	Scheibe	Arandela	
22	339560X1	1	Bolt - M6 X 16mm (Hex.)	Boulon M6 X 16	Maschschraube - M6	Tornillo	



C-46020-12.1-B



Item	Part No.	Qty.	English	French	German	Spanish	Remarks
1	6108707M93	1	Board-Relay/Fuse Assy	Tableau Fusible/Relais	Sicherung / Relaiskarte	Tablero Fusibles/Reles	
2	#PLATE	1	Plate	Plaque	Platte	Plato	Ref.1
3	6102558M1	8	Pillar Nylon	Support De Tableau	Armaturenbrethalter	Soporte De Panel	
4	3009074X1	16	Nut Nyloc M4	Ecrou	Mutter	Tuerca De Retención	
5	#FUSE/RELAY BOARD	1	Fuse/Relay Board	Fuse/Relay Board	Fuse/Relay Board	Fuse/Relay Board	Ref.1
6	6102490M1	16	Relay-Micro	Relais	Relais	Relé	Micro
7	6108737M1	1	Flasher Unit Relay 12v	Relais Clignot.	Blinkgeber	Rele	Flasher Unit
8	6102648M1	1	Relay-Hazard	Relais	Relais	Relé	Hazard
9	6102496M1	2	Relay-Mini	Relais	Relais	Relé	Mini
10	6108756M1	6	Ato Automotive Fuse 3a 32vdc	Fusible	Sicherung	Fusible	
11	6108757M1	6	Ato Automotive Fuse 5a 32vdc	Fusible - 5a	Sicherung - 5a	Fusible	
12	6108754M1	11	Ato Automotive Fuse 7.5a 32vdc	Fusible	Sicherung	Fusible	
13	3523568M1	6	Fuse, Standard - 10 Amp., Red	Fusible	Sicherung	Fusible	
14	3523569M1	7	Fuse, Standard - 15 Amp., Blue	Fusible	Sicherung	Fusible	
15	3523570M1	1	Fuse, Standard - 20 Amp., Yellow	Fusible	Sicherung	Fusible	
16	3523571M1	1	Fuse, Standard - 25 Amp., Clear	Fusible	Sicherung, 25a	Fusible	
17	#RELAY	1	Relay	Relay	Relay	Relay	Hose Burst
18	#RELAY	1	Relay	Relay	Relay	Relay	Loader Q/Attach
19	#RELAY	1	Relay	Relay	Relay	Relay	Digger Q/Attach
20	#RELAY	1	Relay	Relay	Relay	Relay	4wd
21	#RELAY	1	Relay	Relay	Relay	Relay	Ride Control
22	#RELAY	1	Relay	Relay	Relay	Relay	Hose Burst
23	6114405M1	1	Relay - Micro Diode	Relais	Relais	Rele	

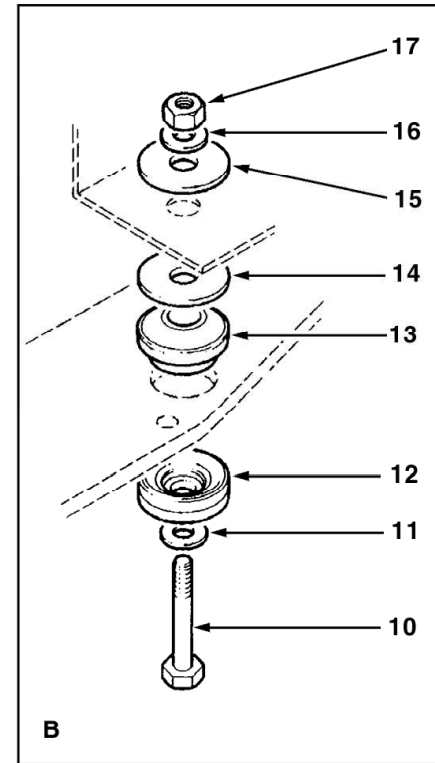
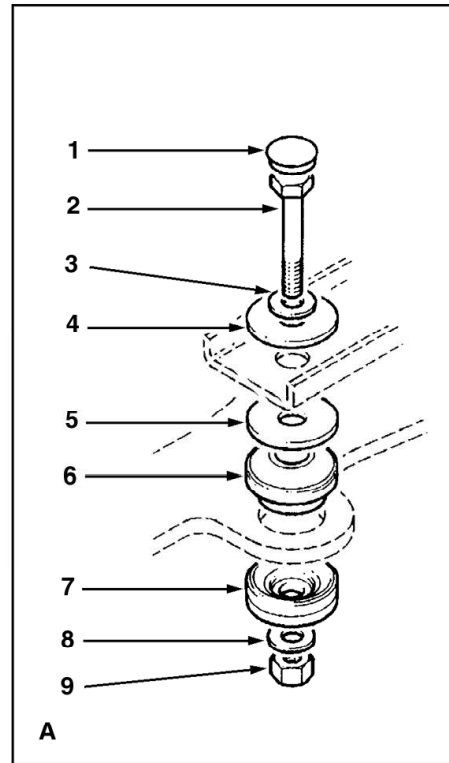
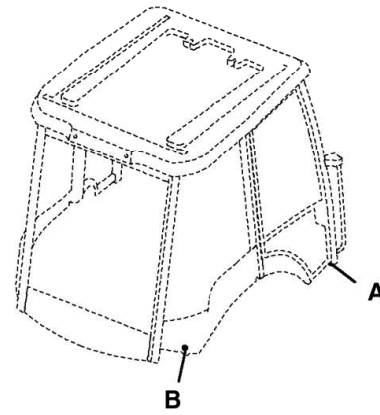


Not Serviced

THIS PAGE INTENTIONALLY LEFT BLANK

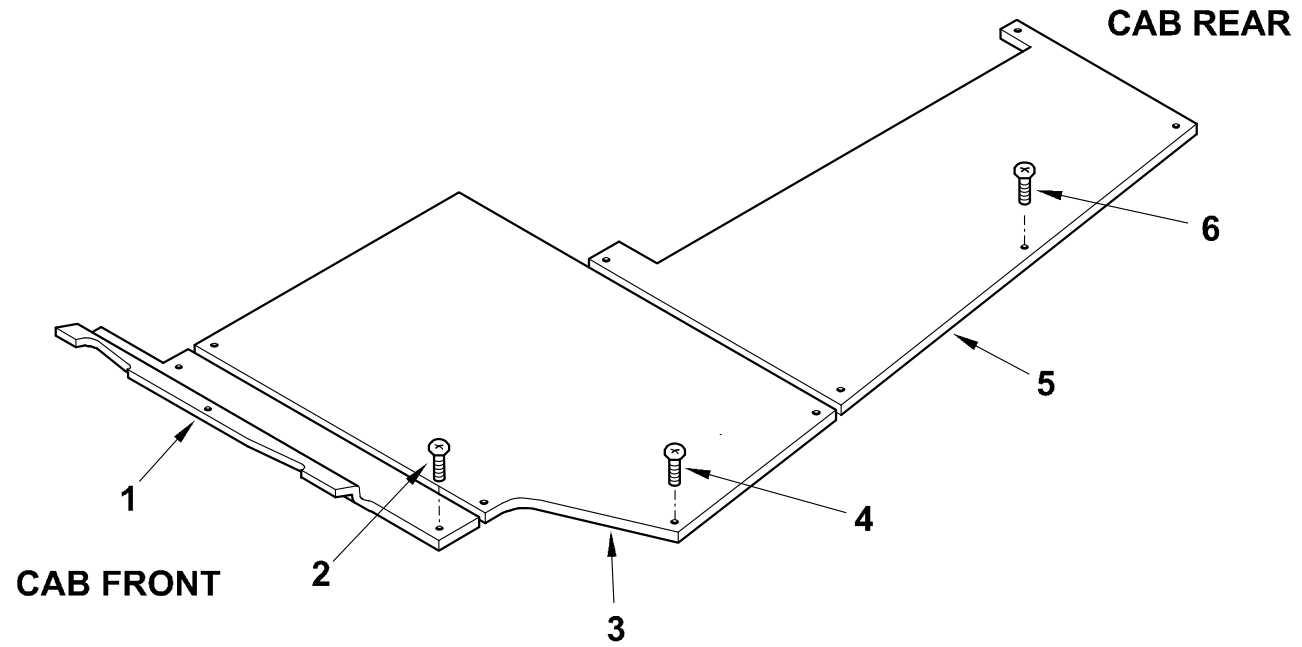


C-47010-01.1-A



Item	Part No.	Qty.	English	French	German	Spanish	Remarks
1	3521671M1	2	Plug Dome	Cache	Abdeckung	Tapa	
2	391332X1	2	Bolt M20-100 Z 8.8	Goupille	Bolzen	Tornillo	
3	385365X1	4	Washer Hardened M20	Rondelle	Scheibe	Arandela	
4	3521648M3	2	Washer Cab	Rondelle	Scheibe	Arandela	
5	6101687M1	2	Washer-Cab Mount	Rondelle	Scheibe	Arandela	
6	3507499M1	2	Cab Mount Upper	Bloc Isolant	Dämpfungsbloc	Bloque Aislante	
7	3507500M1	2	Cab Mount Lower	Tampon Caoutchouc	Gummipuffer	Bloque Aislante	
8	385365X1	2	Washer Hardened M20	Rondelle	Scheibe	Arandela	
9	339035X1	2	Nut Hex M20	Ecrou	Mutter	Tuerca	
10	391332X1	2	Bolt M20-100 Z 8.8	Goupille	Bolzen	Tornillo	
11	385365X1	2	Washer Hardened M20	Rondelle	Scheibe	Arandela	
12	3507500M1	2	Cab Mount Lower	Tampon Caoutchouc	Gummipuffer	Bloque Aislante	
13	3507499M1	2	Cab Mount Upper	Bloc Isolant	Dämpfungsbloc	Bloque Aislante	
14	6101687M1	2	Washer-Cab Mount	Rondelle	Scheibe	Arandela	
15	3521648M3	2	Washer Cab	Rondelle	Scheibe	Arandela	
16	385365X1	2	Washer Hardened M20	Rondelle	Scheibe	Arandela	
17	339035X1	2	Nut Hex M20	Ecrou	Mutter	Tuerca	

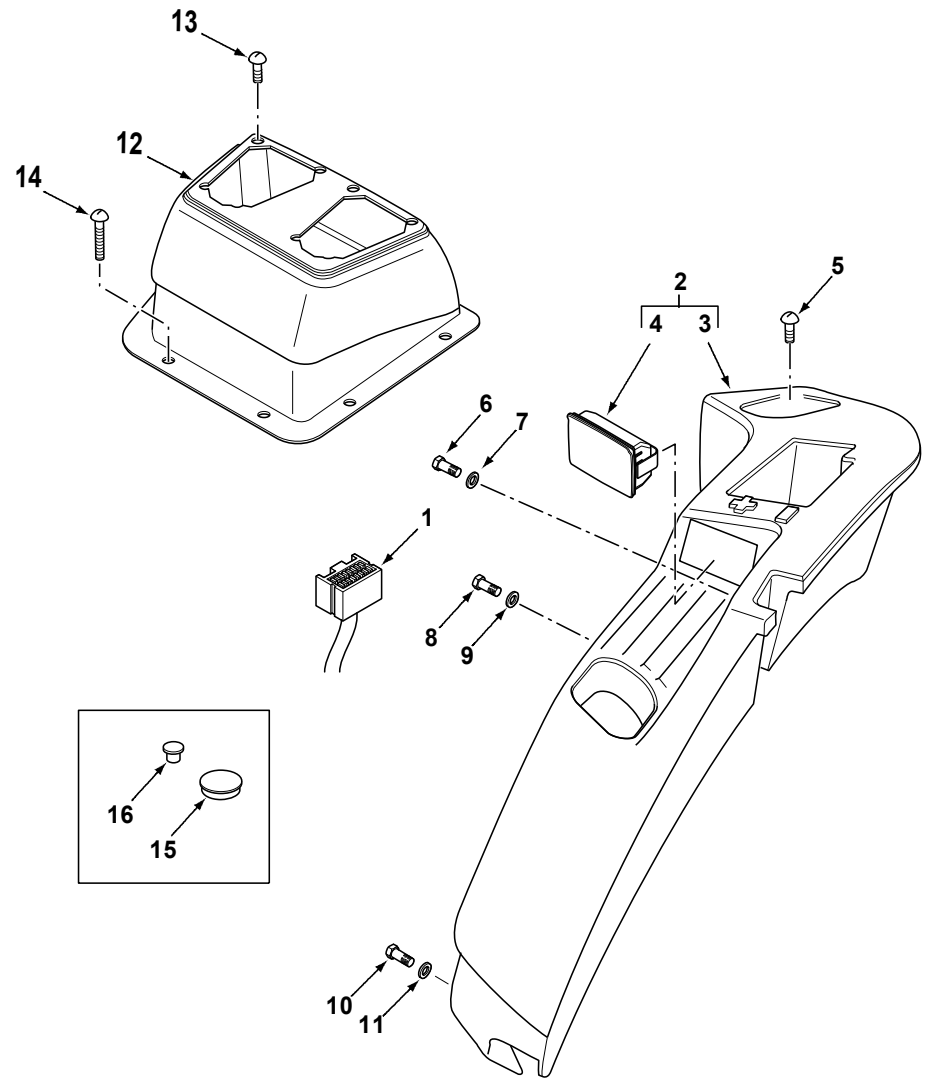
C-47010-02.1-B



Item	Part No.	Qty.	English	French	German	Spanish	Remarks
1	#PLATE	1	Plate	Plaque	Platte	Plato	[Cab Frame]
2	339124X1	5	Bolt M8-16 Z5f	Goupille	Maschschrb Metr - M8	Tornillo	
3	6101043M2	1	Floorplate-Centre	Plaque	Platte	Placa	
4	339124X1	7	Bolt M8-16 Z5f	Goupille	Maschschrb Metr - M8	Tornillo	
5	6101023M92	1	Floorplate-Rear-W/Assy	Ensemble De Plaque	Platte Kpl.	Placa, Conj.	
6	339124X1	5	Bolt M8-16 Z5f	Goupille	Maschschrb Metr - M8	Tornillo	

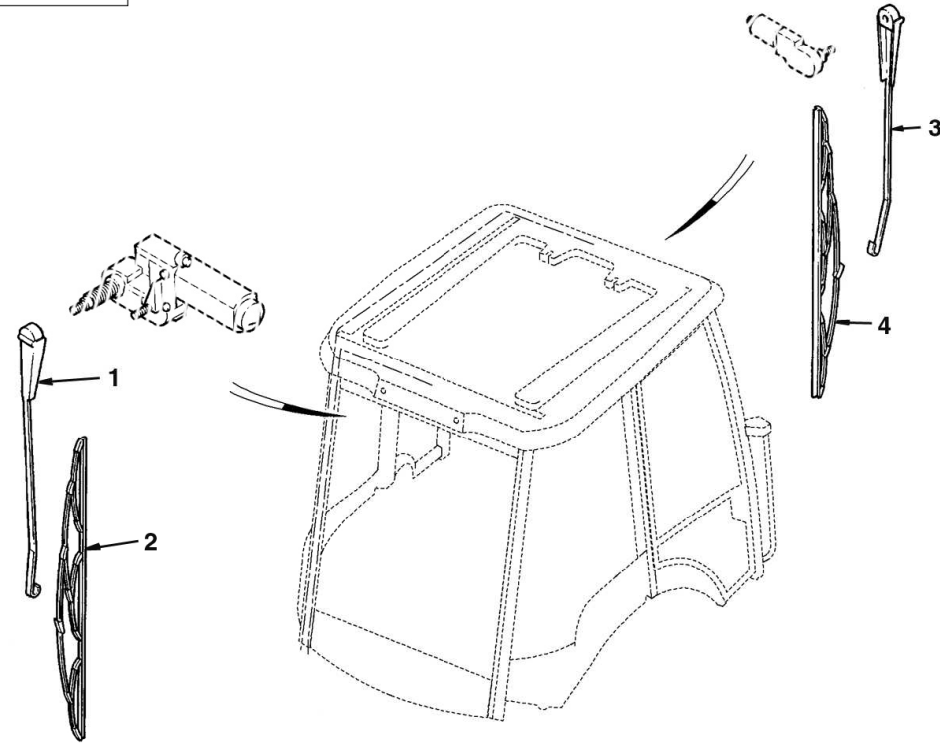


C-47010-03.1-A



Item	Part No.	Qty.	English	French	German	Spanish	Remarks
1	6111106M91	1	Harness - Front Console (Synchro)	Faisceau	Beschirring	Haz, Conj.	Ec06/167
1	6110155M92	1	Harness-Synchro Front Console	Faisceau	Kabelstrang	Haz, Conj.	Ec06/167
2	6101811M91	1	Side Console Assy LH (Grey)	Console	Konsole	Consola	
3	#CONSOLE	1	Console	Console	Console	Console	Ref. 2
4	6101503M91	1	Ashtray-Wall Mounted	Cendrier	Aschenbecher	Cenicero	
5	6101591M1	3	Fastener - "Scrivet"	Rivet	Niete	Remache	
6	1440922X1	1	Bolt M6-60 (Hammer)	Goupille	Bolzen M6 X 60	Tornillo	
7	3516109M1	1	Washer Fender Spacer	Rondelle	Scheibe	Arandela	
8	339262X1	2	Bolt M6-30 Z5s	Boulon - M6 X 30	Schraube - M6 X 30	Perno	
9	3516109M1	2	Washer Fender Spacer	Rondelle	Scheibe	Arandela	
10	339804X1	1	Bolt, Hex, - M6 X 25	Goupille	Maschschrb Metr - M6	Tornillo	
11	3516109M1	1	Washer Fender Spacer	Rondelle	Scheibe	Arandela	
12	6099523M2	1	Moulding - Digger Tower Control (Grey)	Console	Konsole	Consola	
13	3521303M3	8	Fastener, Plastic - Gear Lever Gaiter	Agrafe	Halteklammer	Enganche	
14	3512552M1	6	Screw Pan Hd.M5 X 12	Vis	Schraube	Tornillo	
15	6108072M1	2	Grommet-Blind	Passe-Fil	Gummituelle	Pasa Cable	
16	6108074M1	4	Fastener=-Fir Tree	Attache	Halteklammer	Enganche	

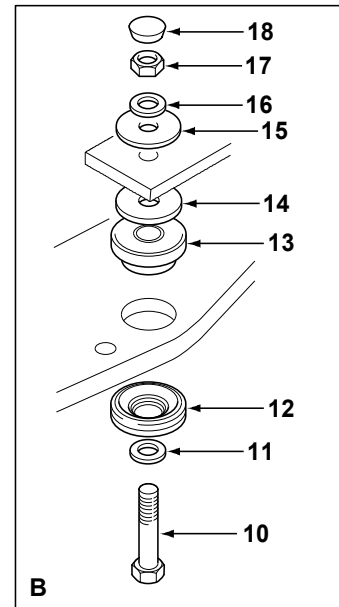
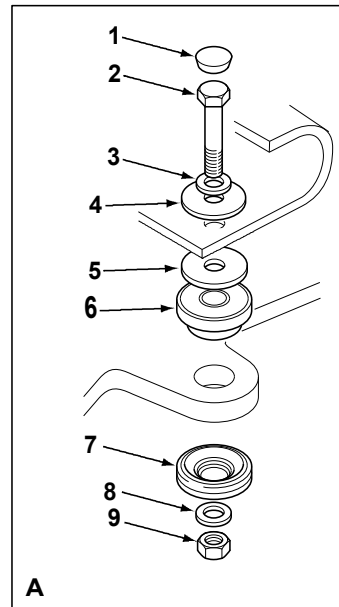
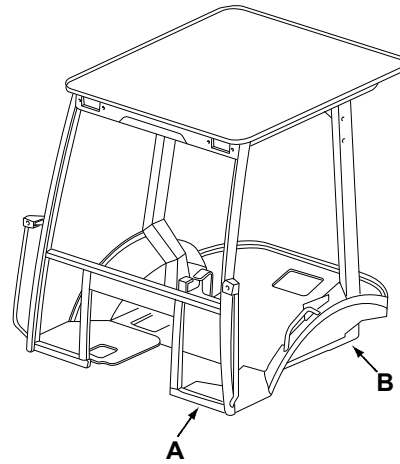
C-47010-04.1-A



Item	Part No.	Qty.	English	French	German	Spanish	Remarks
1	1473848M92	1	Arm Wiper Rear	Porte Balai	Wischerarm	Brazo Limpiaparabrisas	
2	1473847M91	1	Blade Wiper Fr/Rr	Balai D'Essuie-Glace	Wischerblatt	Escobilla Limpiaparabr.	
3	3512477M91	1	Arm Wiper Front	Porte Balai	Wischerarm	Brazo Limpiaparabrisas	
4	1473847M91	1	Blade Wiper Fr/Rr	Balai D'Essuie-Glace	Wischerblatt	Escobilla Limpiaparabr.	



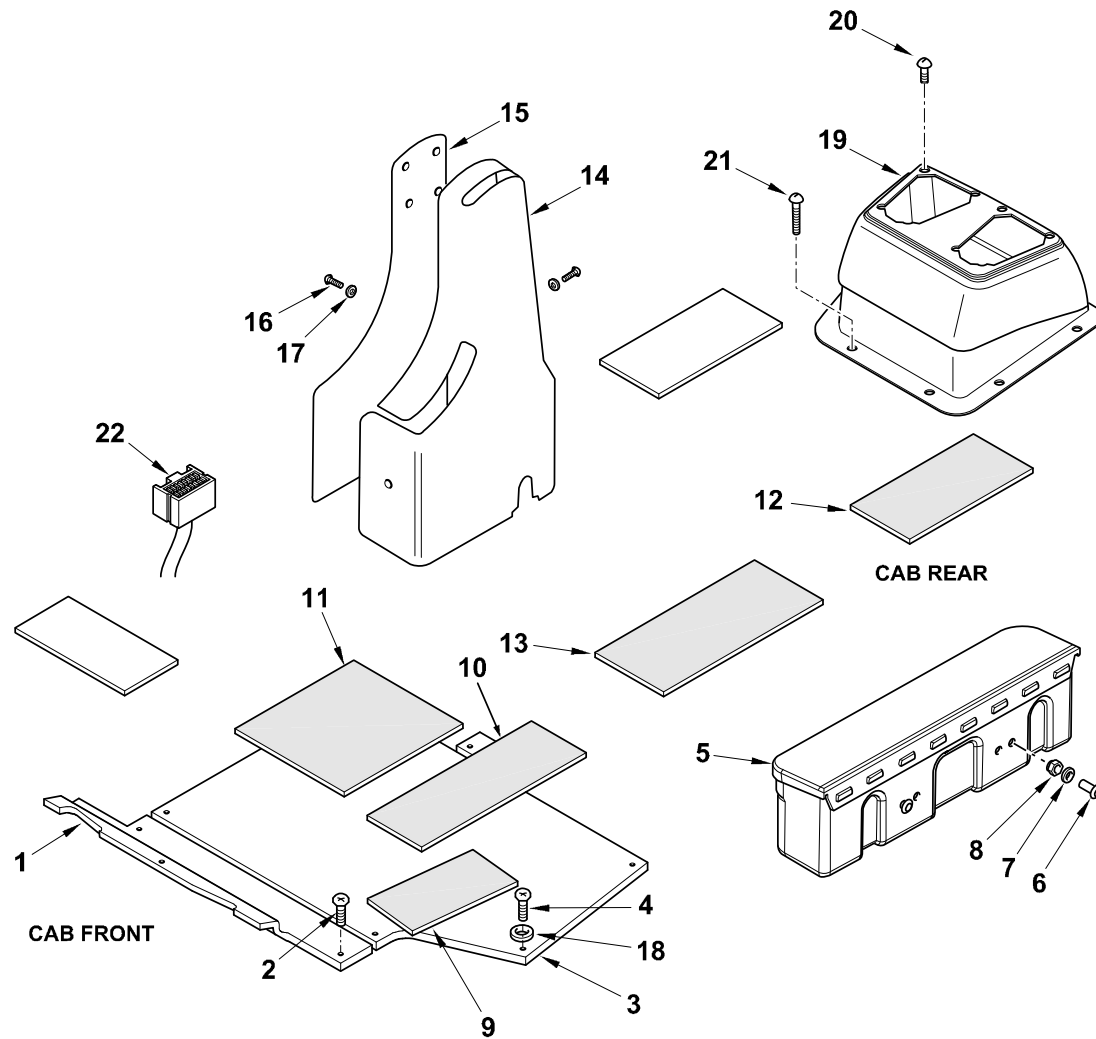
C-47012-01.1-A



Item	Part No.	Qty.	English	French	German	Spanish	Remarks
1	3521671M1	2	Plug Dome	Cache	Abdeckung	Tapa	
2	391332X1	2	Bolt M20-100 Z 8.8	Goupille	Bolzen	Tornillo	
3	385365X1	4	Washer Hardened M20	Rondelle	Scheibe	Arandela	
4	3521648M3	2	Washer Cab	Rondelle	Scheibe	Arandela	
5	6101687M1	2	Washer-Cab Mount	Rondelle	Scheibe	Arandela	
6	3507499M1	2	Cab Mount Upper	Bloc Isolant	Dämpfungsblock	Bloque Aislante	
7	3507500M1	2	Cab Mount Lower	Tampon Caoutchouc	Gummipuffer	Bloque Aislante	
8	385365X1	2	Washer Hardened M20	Rondelle	Scheibe	Arandela	
9	339035X1	2	Nut Hex M20	Ecrou	Mutter	Tuerca	
10	391332X1	2	Bolt M20-100 Z 8.8	Goupille	Bolzen	Tornillo	
11	385365X1	2	Washer Hardened M20	Rondelle	Scheibe	Arandela	
12	3507500M1	2	Cab Mount Lower	Tampon Caoutchouc	Gummipuffer	Bloque Aislante	
13	3507499M1	2	Cab Mount Upper	Bloc Isolant	Dämpfungsblock	Bloque Aislante	
14	6101687M1	2	Washer-Cab Mount	Rondelle	Scheibe	Arandela	
15	3521648M3	2	Washer Cab	Rondelle	Scheibe	Arandela	
16	385365X1	2	Washer Hardened M20	Rondelle	Scheibe	Arandela	
17	339035X1	2	Nut Hex M20	Ecrou	Mutter	Tuerca	
18	3521671M1	2	Plug Dome	Cache	Abdeckung	Tapa	



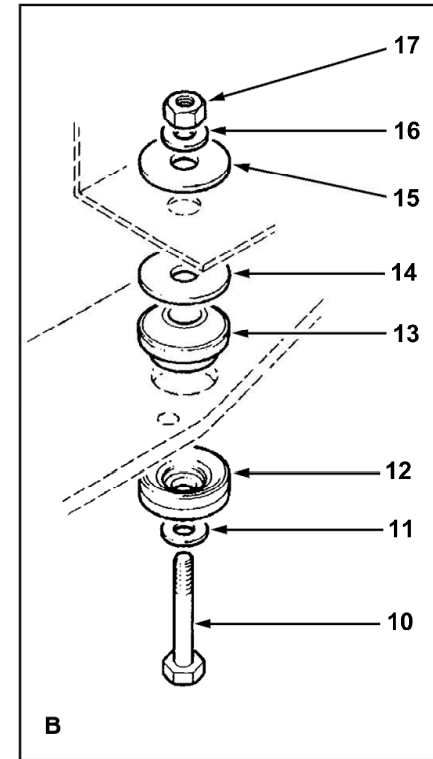
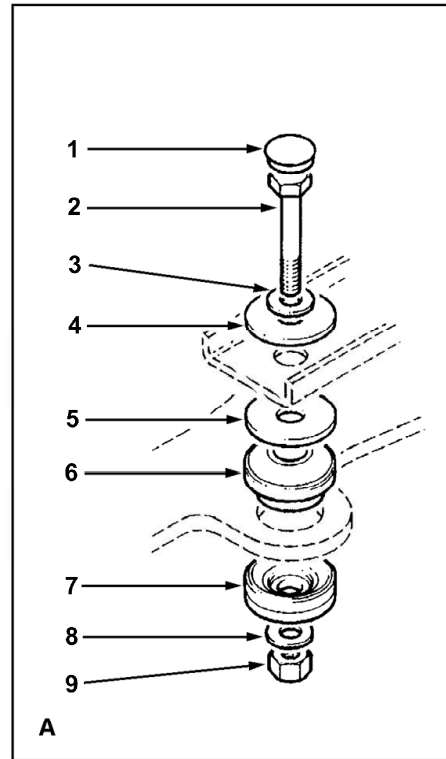
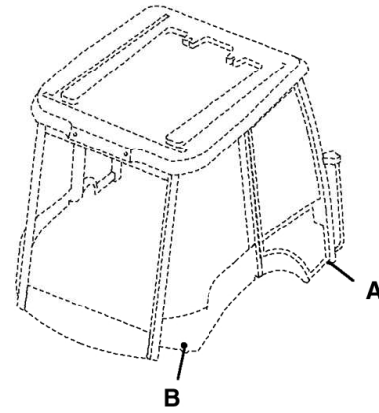
C-47012-02.1-B



Item	Part No.	Qty.	English	French	German	Spanish	Remarks
1	#PLATE	1	Plate	Plaque	Platte	Plato	Cab Frame
2	339124X1	5	Bolt M8-16 Z5f	Goupille	Maschschrb Metr - M8	Tornillo	
3	6108654M1	1	Plate-Floor	Plancher	Bodenplatte	Suelo	
4	339124X1	7	Bolt M8-16 Z5f	Goupille	Maschschrb Metr - M8	Tornillo	
5	1696186M93	1	Toolbox-4 Post ROPS	Boite A Outis	Werkzeugkasten	Portaobjetos	
6	3505771M1	2	Screw Pan HD M10 X 25	Vis	Schraube	Tornillo	
7	390734X1	2	Washer M10-21-2 Z	Rondelle - M10	Unterlegscheibe	Arandela	
8	1440329X1	2	Nut, Hex. - Nyloc, M10	Ecrou Blocage	Flachmutter M10	Tuerca De Retención	
9	3517596M1	2	Pad Anti Slip 152x310	Tampon	Polster	Almohadilla	
10	3517595M1	1	Pad Anti Slip 152x400	Plaque, Anti-Dérapant	Anti-Rutschbelag	Cinta Antideslizante	
11	3517597M1	1	Pad Anti Slip 304x310	Plaque, Anti-Dérapant	Anti-Rutschbelag	Cinta Antideslizante	
12	3517596M1	2	Pad Anti Slip 152x310	Tampon	Polster	Almohadilla	
13	3517595M1	1	Pad Anti Slip 152x400	Plaque, Anti-Dérapant	Anti-Rutschbelag	Cinta Antideslizante	
14	6109251M1	1	Cover Moulded	Cache	Abdeckung	Tapa	
15	6109252M1	1	Sheet-Moulded	Tôle	Blech	Chapa	
16	3001163X1	3	Screw M5-16 Pan HD	Vis	Schraube	Tornillo	
17	3019560X1	3	Washer M5	Rondelle	Scheibe	Arandela	
18	390972X1	7	Washer M8-17-1 Zwl	Rondelle M8	Scheibe - M8	Arandela	
19	T101123	1	Digger Tower - ROPS (Black)	Moulure	Pressling	Bordon	
20	3521303M3	8	Fastener, Plastic - Gear Lever Gaiter	Agrafe	Halteklammer	Eganche	
21	3512552M1	6	Screw Pan Hd.M5 X 12	Vis	Schraube	Tornillo	
22	6111106M91	1	Harness - Front Console (Synchro)	Faisceau	Beschirrung	Haz, Conj.	Ec06/167
22	6110155M92	1	Harness-Synchro Front Console	Faisceau	Kabelstrang	Haz, Conj.	Ec06/167

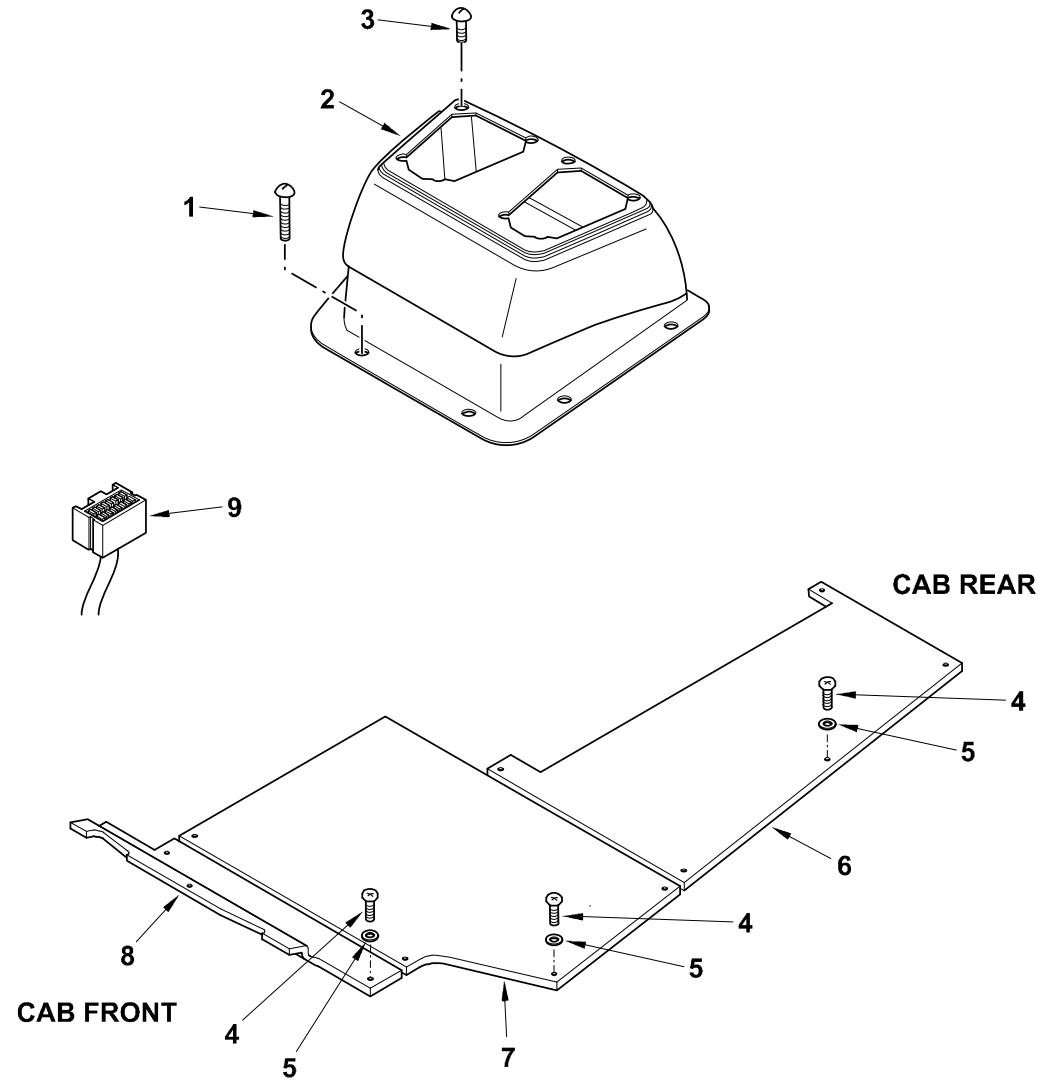


C-47026-01.1-A



Item	Part No.	Qty.	English	French	German	Spanish	Remarks
1	3521671M1	2	Plug Dome	Cache	Abdeckung	Tapa	
2	391332X1	2	Bolt M20-100 Z 8.8	Goupille	Bolzen	Tornillo	
3	385365X1	4	Washer Hardened M20	Rondelle	Scheibe	Arandela	
4	3521648M3	2	Washer Cab	Rondelle	Scheibe	Arandela	
5	6101687M1	2	Washer-Cab Mount	Rondelle	Scheibe	Arandela	
6	3507499M1	2	Cab Mount Upper	Bloc Isolant	Dämpfungsblock	Bloque Aislante	
7	3507500M1	2	Cab Mount Lower	Tampon Caoutchouc	Gummipuffer	Bloque Aislante	
8	385365X1	2	Washer Hardened M20	Rondelle	Scheibe	Arandela	
9	339035X1	2	Nut Hex M20	Ecrou	Mutter	Tuerca	
10	391332X1	2	Bolt M20-100 Z 8.8	Goupille	Bolzen	Tornillo	
11	385365X1	2	Washer Hardened M20	Rondelle	Scheibe	Arandela	
12	3507500M1	2	Cab Mount Lower	Tampon Caoutchouc	Gummipuffer	Bloque Aislante	
13	3507499M1	2	Cab Mount Upper	Bloc Isolant	Dämpfungsblock	Bloque Aislante	
14	6101687M1	2	Washer-Cab Mount	Rondelle	Scheibe	Arandela	
15	3521648M3	2	Washer Cab	Rondelle	Scheibe	Arandela	
16	385365X1	2	Washer Hardened M20	Rondelle	Scheibe	Arandela	
17	339035X1	2	Nut Hex M20	Ecrou	Mutter	Tuerca	

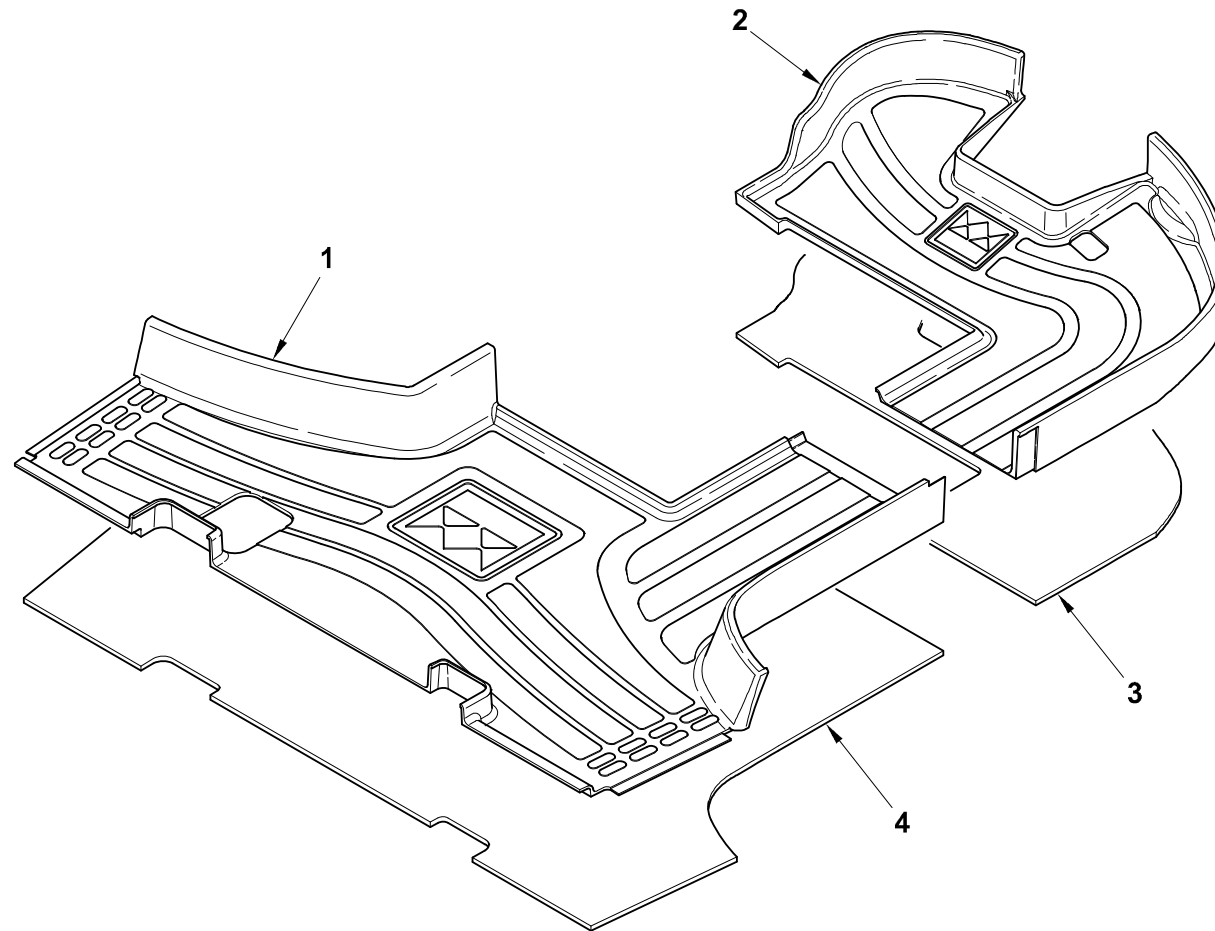
C-47026-02.1-A



Item	Part No.	Qty.	English	French	German	Spanish	Remarks
1	3512552M1	6	Screw Pan Hd.M5 X 12	Vis	Schraube	Tornillo	
2	T101122	1	Digger Tower - Cab (Black)	Console	Konsole	Consola	
3	3521303M3	8	Fastener, Plastic - Gear Lever Gaiter	Agrafe	Halteklammer	Enganche	
4	339124X1	14	Bolt M8-16 Z5f	Goupille	Maschschrb Metr - M8	Tornillo	
5	390972X1	14	Washer M8-17-1 Zwl	Rondelle M8	Scheibe - M8	Arandela	
6	6101023M92	1	Floorplate-Rear-W/Assy	Ensemble De Plaque	Platte Kpl.	Placa, Conj.	
7	6101043M2	1	Floorplate-Centre	Plaque	Platte	Placa	
8	#PLATE	1	Plate	Plaque	Platte	Plato	Cab Frame
9	6111106M91	1	Harness - Front Console (Synchro)	Faisceau	Beschirrung	Haz, Conj.	



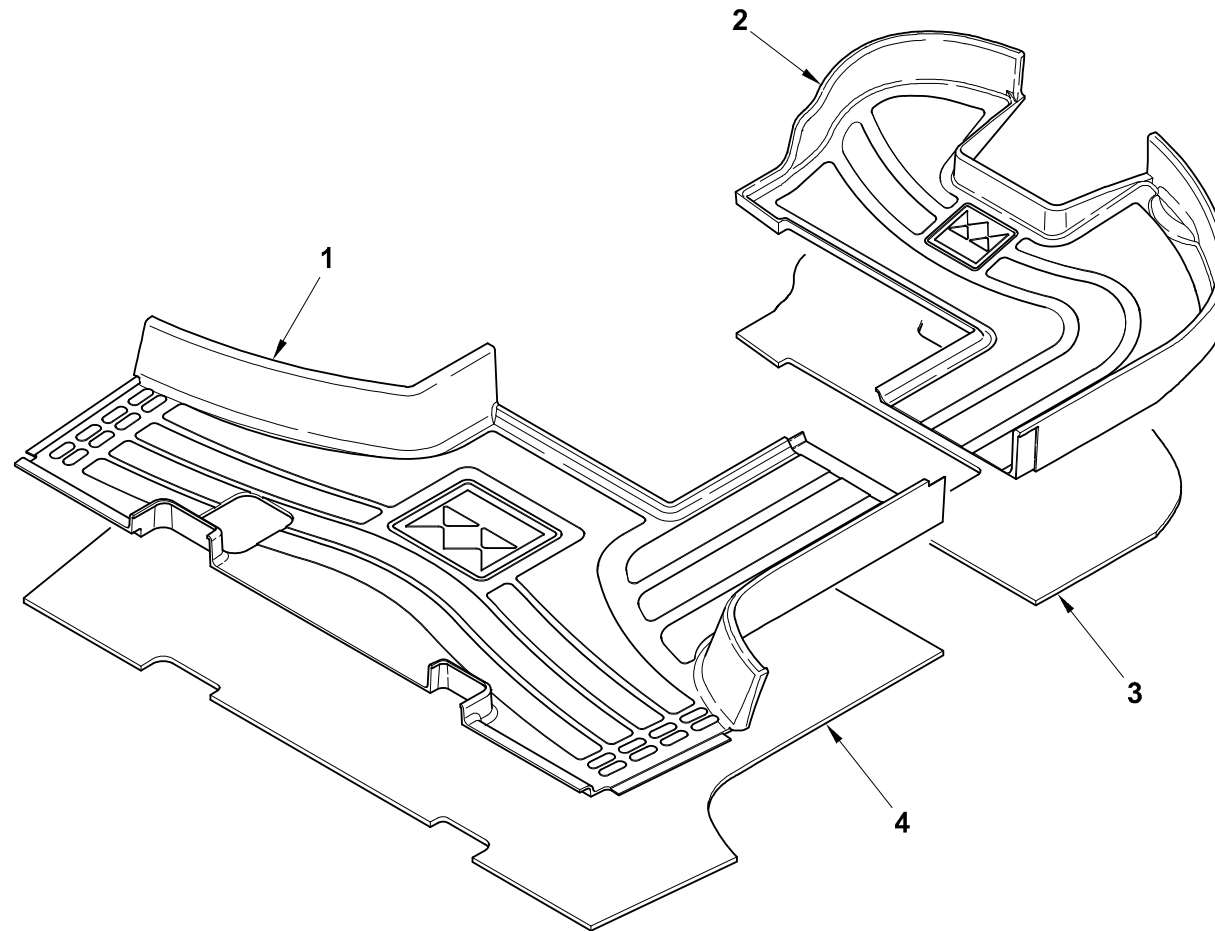
C-48001-01.1-A



Item	Part No.	Qty.	English	French	German	Spanish	Remarks
1	6112452M1	1	Mat - Front (Synchroshuttle)	Tapis	Matte	Tapete De Suelo	
2	6112453M1	1	Mat - Rear (With Pedal)	Tapis	Matte	Tapete De Suelo	
3	6110319M1	1	Underlay- Rear Cab Floor	Tapis	Matte	Tapete	
4	6110318M1	1	Underlay- Front Cab Floor	Tapis	Matte	Tapete	



C-48002-01.1-A



Item	Part No.	Qty.	English	French	German	Spanish	Remarks
1	6112452M1	1	Mat - Front (Synchroshuttle)	Tapis	Matte	Tapete De Suelo	
2	6112454M1	1	Mat - Rear (Without Pedal)	Tapis	Matte	Tapete De Suelo	
3	6110319M1	1	Underlay- Rear Cab Floor	Tapis	Matte	Tapete	
4	6110318M1	1	Underlay- Front Cab Floor	Tapis	Matte	Tapete	



Not Illustrated

Non Illustrée

Nicht Abgebildet

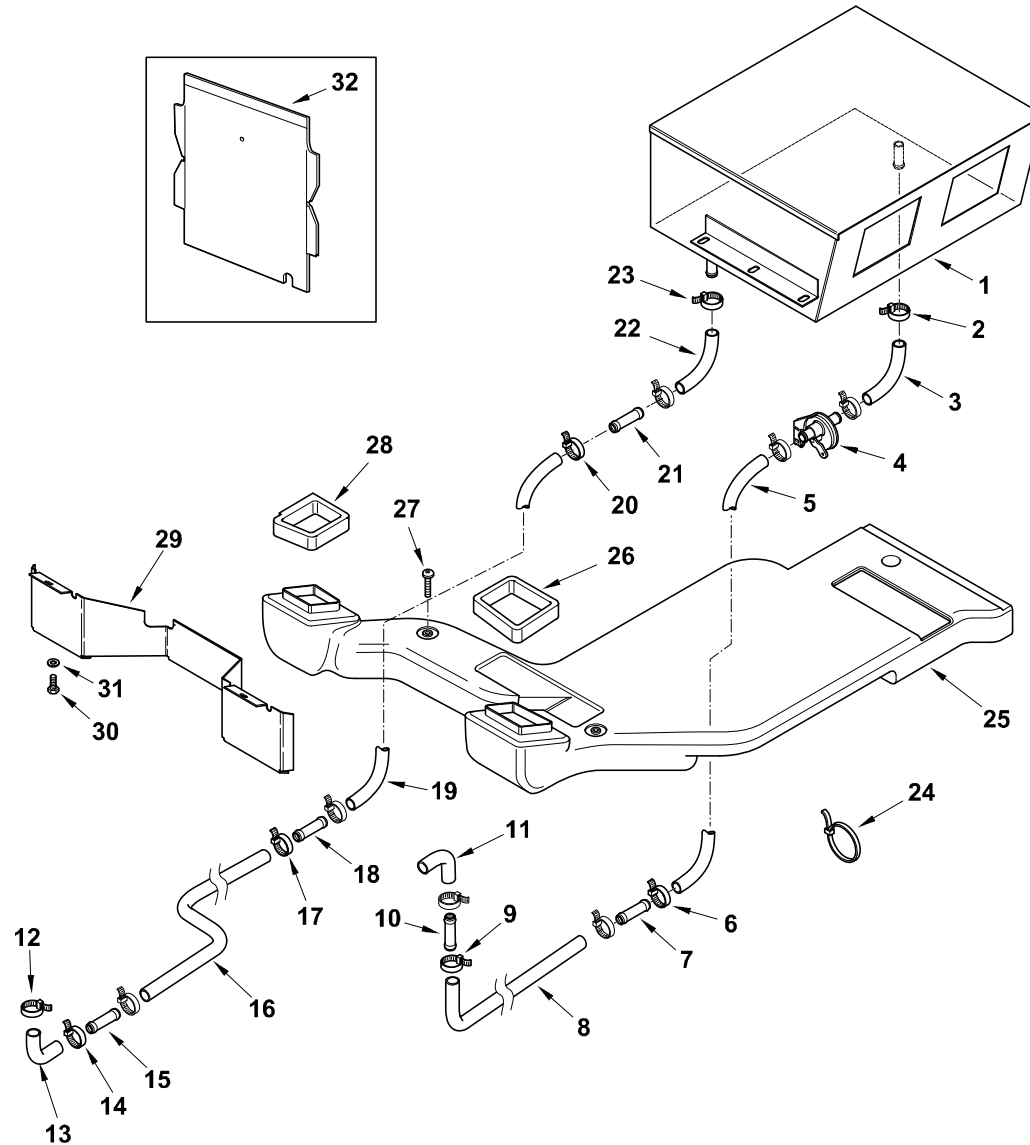
Non Illustrato

No Ilustrado

Item	Part No.	Qty.	English	French	German	Spanish	Remarks
-------------	-----------------	-------------	----------------	---------------	---------------	----------------	----------------

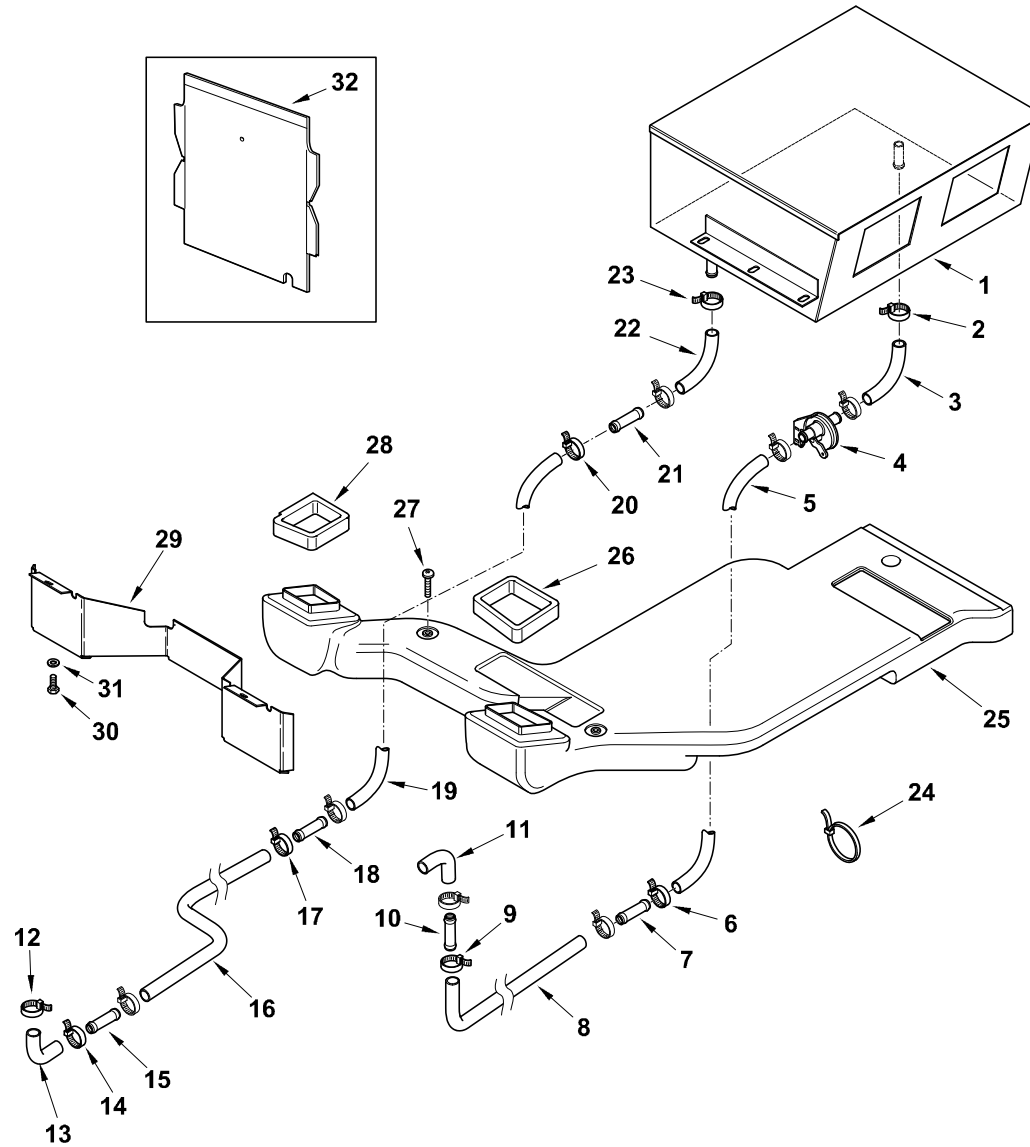


C-49010-01.1-B



Item	Part No.	Qty.	English	French	German	Spanish	Remarks
1	#UNIT, HEATER	1	Unit, Heater	Unit, Heater	Unit, Heater	Unit, Heater	49010c03.1 1
2	3517410M1	3	Clip Hose 16/25	Bride Pour Tutaux	Schlauchschele	Clip	
3	6107361M1	1	Elbow-Rubber	Coude En Caoutchouc	Gummikruemmer	Codo, 90°	
4	6106705M1	1	Water Valve, Heater	Distributeur	Steuerventil	Distribuidor	Ec05/073 Acc66c
4	6110874M1	1	Valve - Water Heater	Soupape	Ventil	Válvula	Ec05/073
5	6009515M1	1	Hose-Heater X 600nom	Flexible	Schlauch	Tubo Flexible	
6	3517410M1	2	Clip Hose 16/25	Bride Pour Tutaux	Schlauchschele	Clip	
7	3521772M1	1	Connector Tube 5/8	Connecteur	Steckverbindung	Conector	
8	6003690M1	1	Hose-Heater	Flexible	Schlauch	Tubo Flexible	
9	3517410M1	2	Clip Hose 16/25	Bride Pour Tutaux	Schlauchschele	Clip	
10	3521772M1	1	Connector Tube 5/8	Connecteur	Steckverbindung	Conector	
11	3521752M1	1	Elbow - Rubber	Coude	Winkelstuck	Codo, 90°	
12	3517410M1	1	Clip Hose 16/25	Bride Pour Tutaux	Schlauchschele	Clip	
13	6107361M1	1	Elbow-Rubber	Coude En Caoutchouc	Gummikruemmer	Codo, 90°	
14	3517410M1	2	Clip Hose 16/25	Bride Pour Tutaux	Schlauchschele	Clip	
15	3521772M1	1	Connector Tube 5/8	Connecteur	Steckverbindung	Conector	
16	6013369M1	1	Hose-Heater	Flexible	Schlauch	Tubo Flexible	
17	3517410M1	2	Clip Hose 16/25	Bride Pour Tutaux	Schlauchschele	Clip	
18	3521772M1	1	Connector Tube 5/8	Connecteur	Steckverbindung	Conector	
19	6110268M1	1	Hose-Heater X 250nom	Flexible	Schlauch	Tubo Flexible	
20	3517410M1	2	Clip Hose 16/25	Bride Pour Tutaux	Schlauchschele	Clip	
21	3521772M1	1	Connector Tube 5/8	Connecteur	Steckverbindung	Conector	
22	6107361M1	1	Elbow-Rubber	Coude En Caoutchouc	Gummikruemmer	Codo, 90°	
23	3517410M1	1	Clip Hose 16/25	Bride Pour Tutaux	Schlauchschele	Clip	
24	724497M1	5	Tie 380mm T120r	Attache Câble	Kabelbinder	Enlace De Cable	
25	6101717M93	1	Air Conditioning Duct Assy - Front	Chambre À Air	Luftleitkanal	Conducto	
26	6101634M1	1	Seal-Foam-Front-Lh	Joint	Dichtung	Junta	
27	3009537X1	2	Screw - Pan Head (M5 X 20)	Vis	Schraube	Tornillo	
28	6101635M1	1	Seal-Foam-Front-Rh	Joint	Dichtung	Junta	
29	6102371M3	1	Plate-Air Con De•ector	Dé•ecteur	Abweisblech	De•ector	March 2005

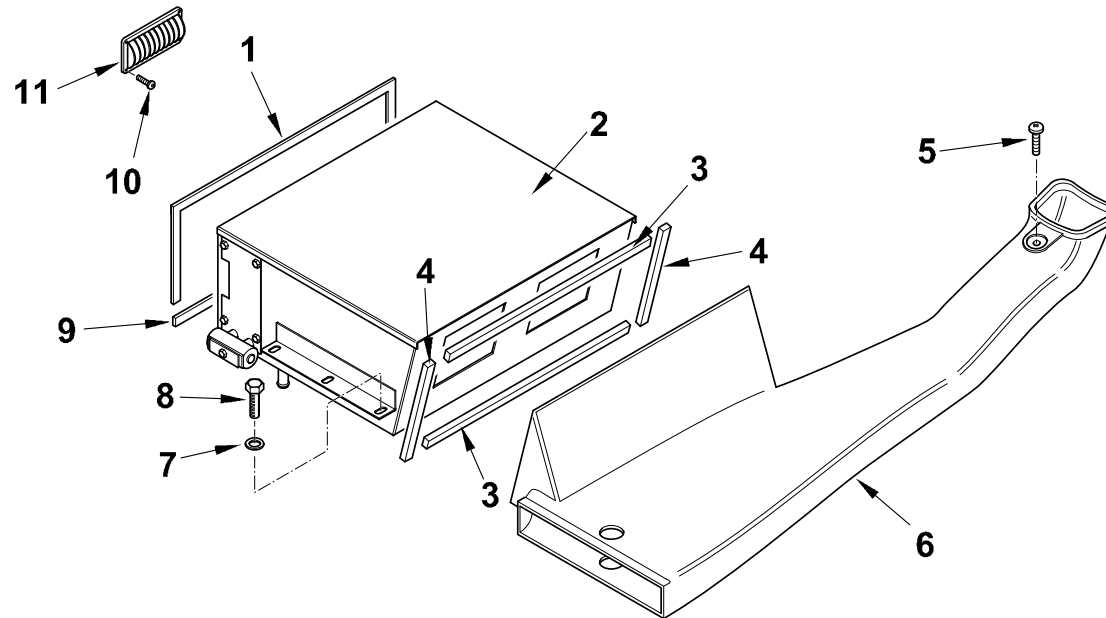
C-49010-01.1-B



Item	Part No.	Qty.	English	French	German	Spanish	Remarks
30	339560X1	2	Bolt - M6 X 16mm (Hex.)	Boulon M6 X 16	Maschschraube - M6	Tornillo	March 2005
31	3019571X1	2	Washer, Large - M6, Hardened	Rondelle	Unterlegscheibe	Arandela	March 2005
32	6110179M91	1	Heat De•ector - Engine	Isolation	Schalldämmung	Aislante	

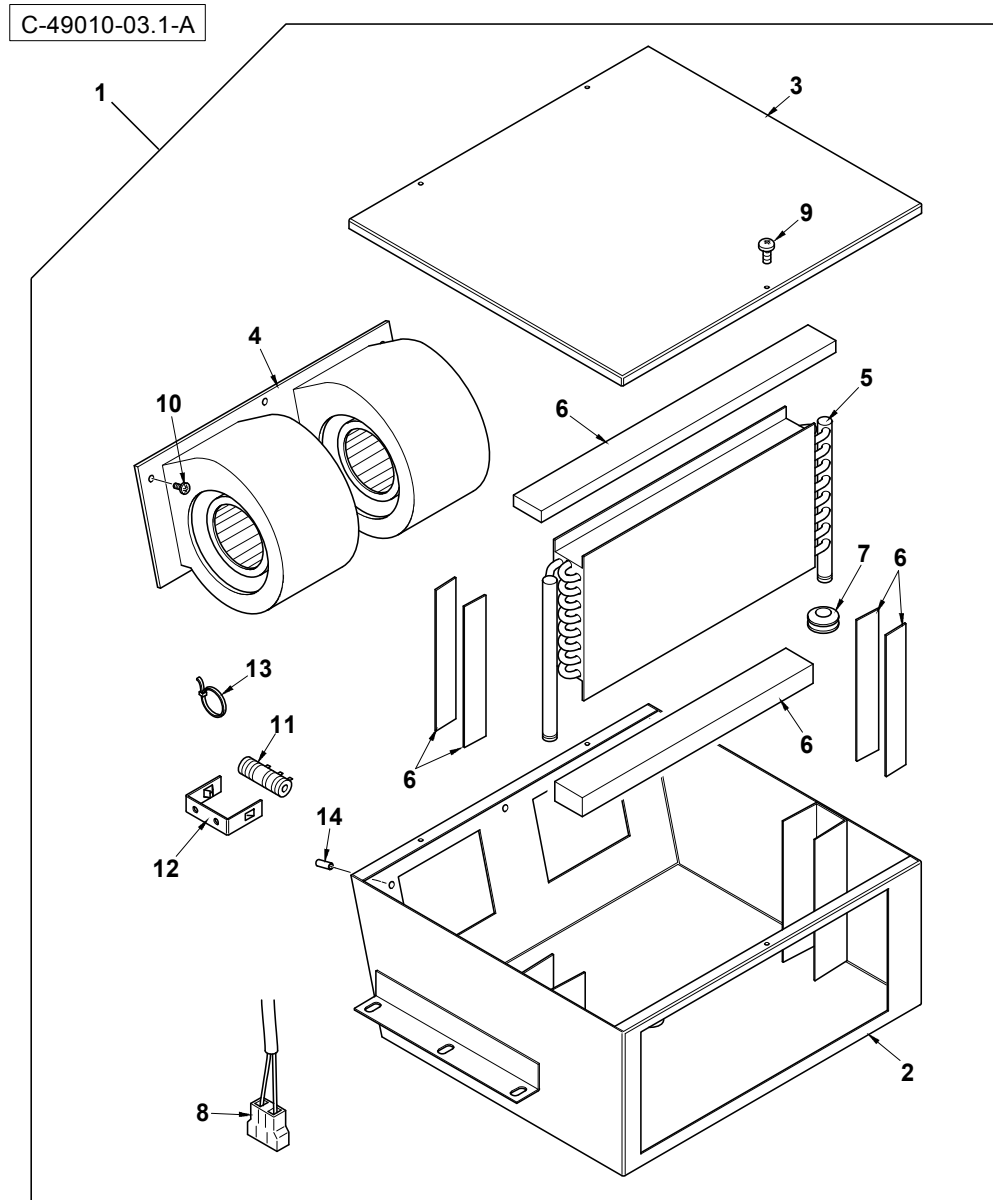


C-49010-02.1-B



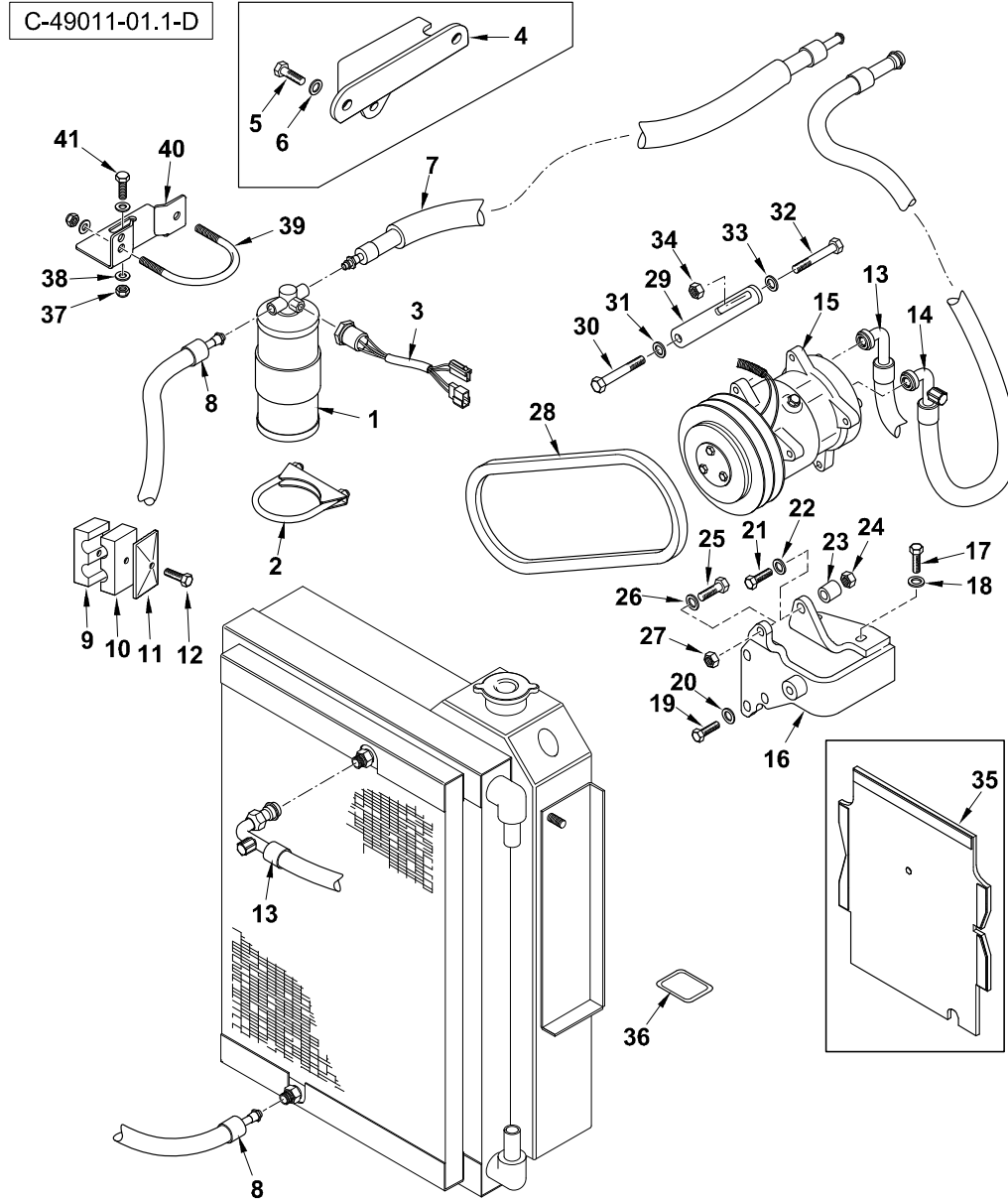
Item	Part No.	Qty.	English	French	German	Spanish	Remarks
1	6101692M1	1	Seal-Foam-Console-Rh	Joint	Dichtung	Junta	
2	#UNIT, HEATER	1	Unit, Heater	Unit, Heater	Unit, Heater	Unit, Heater	49010c03.1 1
3	6101632M1	2	Seal-Foam-Heater	Joint	Dichtung	Junta	
4	6101633M1	2	Seal-Foam-Heater	Joint	Dichtung	Junta	
5	3009537X1	1	Screw - Pan Head (M5 X 20)	Vis	Schraube	Tornillo	
6	6101718M91	1	Duct-Rear-Air Con Assy	Chambre À Air	Luftleitkanal	Cámara De Aire	
7	3019571X1	6	Washer, Large - M6, Hardened	Rondelle	Unterlegscheibe	Arandela	
8	339560X1	4	Bolt - M6 X 16mm (Hex.)	Boulon M6 X 16	Maschschraube - M6	Tornillo	
9	6101693M1	1	Seal-Foam-Console-Rh	Joint	Dichtung	Junta	
10	3522735M4	4	Screw M3 .5 X 20	Vis Autotaraud	Schneidschraube	Tornillo	
11	6106727M1	1	Louvre Heater & Aircon	Diffuseur	Luftdüse	Difusor	





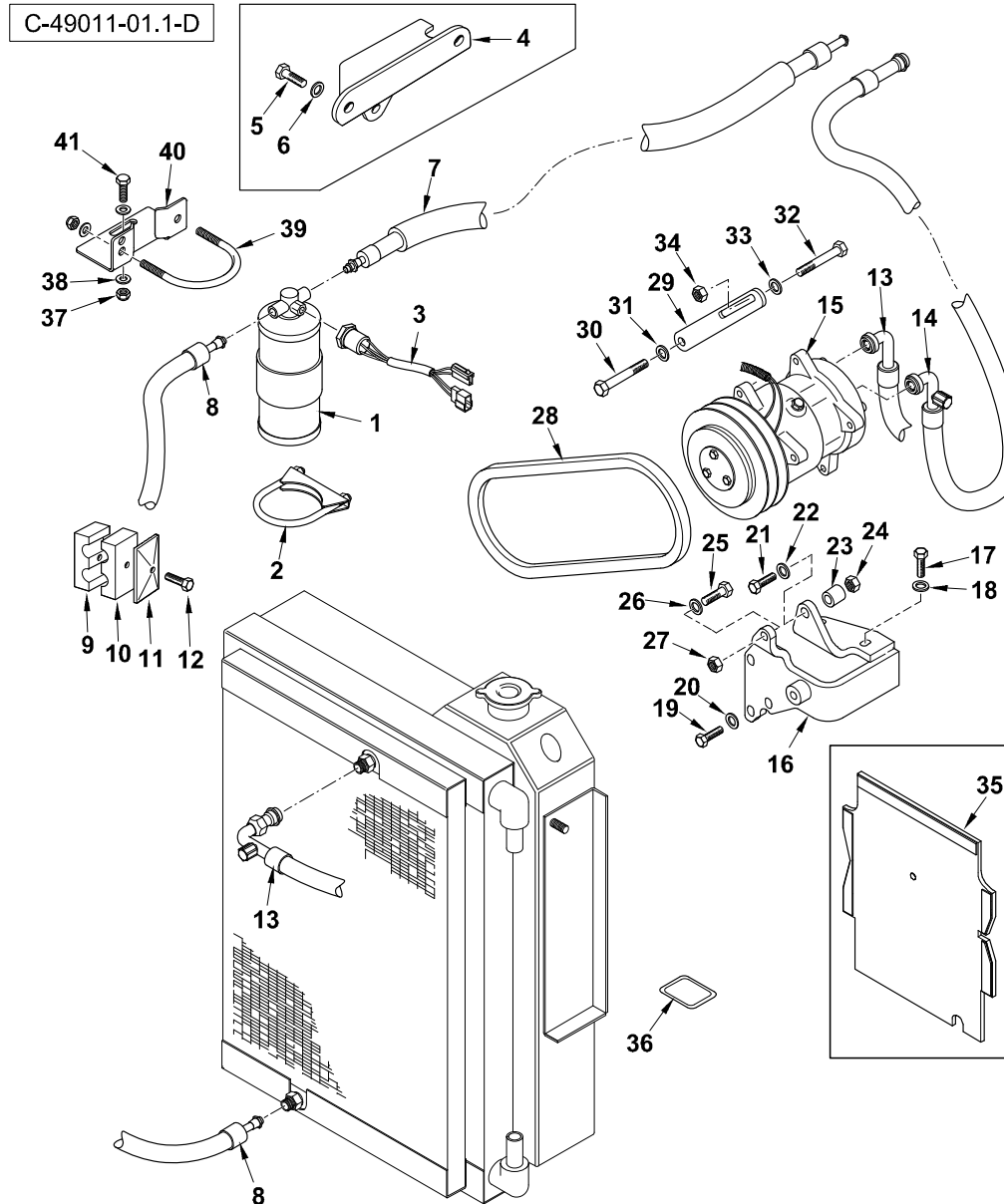
Item	Part No.	Qty.	English	French	German	Spanish	Remarks
1	6112780M91	1	Heater	Chauffage	Heizung	Calentador	4910c01.1 1 49010c02.1 1 From H200 07 5530
1	6106700M91	1	Heater Assy.	Chauffage	Heizung	Calentador	49010c01.1 1 49010c02.1 1 Up To H200 07 5530
2	#BODY	1	Body	Body	Body	Body	Ref. 1
3	#COVER	1	Cover	Cover	Cover	Cover	Ref. 1
4	6195170M91	1	Blower Assembly	Souf•erie	Gebiase	Soplador	From H200 07 5530
4	6193046M91	1	Blower Motor - Heater	Souf•erie	Gebälse	Soplador	Up To H200 07 5530
5	6193058M91	1	Coil-Heater/Air Con.	Bobine	Heizelement	Bobina	
6	6193059M91	1	Seal-Kit-Heater/Air Con.	Jeu Étanchéité	Dichtringsatz	Juego De Juntas	
7	6193039M1	2	Grommet-Heater	Passe-Fil	Tülle	Pasa Cable	
8	6112782M91	1	Harness - Heater	Faisceau	Kabelstrang	Haz	From H200 07 5530
8	6193057M91	1	Harness-Heater/Air Con Wiring	Faisceau	Kabelstrang	Haz	Up To H200 07 5530
9	#SCREW	11	Screw	Vis	Schraube	Tornillo	Ref. 1
10	#SCREW	3	Screw	Vis	Schraube	Tornillo	Ref. 1
11	6193055M91	1	Resistance, Heater Unit	Résistance	Widerstand	Resistencia	
12	6193053M1	1	Bracket-Heater Resistor	Patte Fixation	Halter	Pata De Fijación	
13	#TIE, CABLE	1	Tie, Cable	Tie, Cable	Tie, Cable	Tie, Cable	Ref. 1
14	#CAP	3	Cap	Chapeau	Kappe	Tapa	Ref. 1





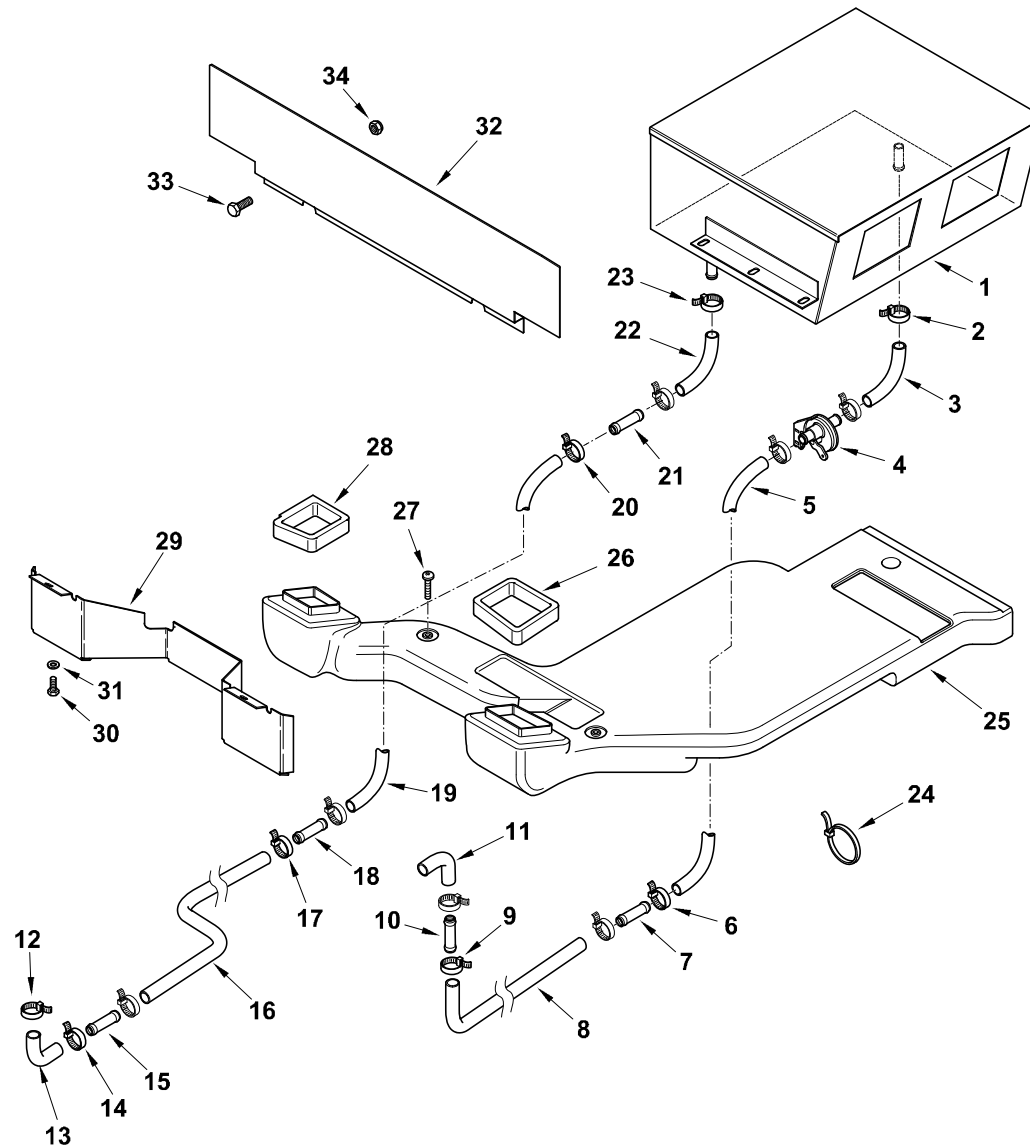
Item	Part No.	Qty.	English	French	German	Spanish	Remarks
1	6106706M1	1	Receiver Drier	Recev. Déshydrateur	Flüs.-Beh. M. Trockn	Recept. Deshidratador	
2	2700057M91	1	Clamp Air Con	Collier De Serrage	Klemme	Argolla De Cierre	
3	3517696M91	1	Pressure Switch	Contacteur	Schalter	Contactar	
4	6110163M1	1	Bracket - Receiver Drier	Patte Fixation	Halter	Pata De Fijación	H200 7 3746
5	3009491X1	2	Bolt M10 X 20	Boulon	Maschschraube M10	Tornillo	
6	390734X1	2	Washer M10-21-2 Z	Rondelle - M10	Unterlegscheibe	Arandela	
7	6109300M91	1	Hose-Drier/Air Con.	Flexible Ass.	Schlauch Kplt	Flexible, Conj.	
8	6109301M91	1	Hose-Drier/Condensor	Flexible Ass.	Schlauch Kplt	Flexible, Conj.	
9	1470377M1	1	Clamp Segment	Collier	Halteschelle	Brida De Fijación	
10	1470377M1	1	Clamp Segment	Collier	Halteschelle	Brida De Fijación	
11	1470376M1	1	Top Plate-Clamp	Plaque	Platte	Placa	
12	339011X1	1	Bolt M8-45 Z5s	Boulon	Schraube	Perno	
13	6110165M91	1	Hose-Condenser/Compressor	Flexible Ass.	Schlauch Kplt	Flexible, Conj.	
14	6110164M91	1	Hose-Air Con Unit/Compressor	Flexible Ass.	Schlauch Kplt	Flexible, Conj.	
15	1999755C2	1	Compressor Air Cond.	Compresseur	Kompressor	Compresor	
16	6114476M91	1	A/C Compressor Bracket Assy	Ensemble Support	Halter Kplt	Cjt. Soporte	
17	339009X1	2	Bolt - M8 X 35	Boulon M8 X 35	Maschschraube M8	Tornillo	
18	390972X1	2	Washer M8-17-1 Zwel	Rondelle M8	Scheibe - M8	Arandela	
19	3009494X1	3	Bolt Hex - M10 X 35, Coarse	Boulon - M10 X 35	Maschschraube M10	Tornillo	
20	390734X1	3	Washer M10-21-2 Z	Rondelle - M10	Unterlegscheibe	Arandela	
21	3009496X1	1	Bolt Hex - M10 X 45 (Coarse)	Boulon M10 X 45	Maschschraube - M10	Tornillo	
22	385362X1	1	Washer, Hardened - M10	Rondelle - M10	Unterlegscheibe M10	Arandela	
23	6110144M1	1	Sleeve-Air Con	Manchon	Hulse	Camisa	
24	6109236M1	1	Nut - M10 Nyloc Thin	Ecrou Blocage - M10	Flachmutter - M10	Tuerca	
25	3009495X1	1	Bolt, Hex. - M10 X 40	Boulon - M10 X 40	Schraube - M10 X 40	Tornillo	
26	385362X1	1	Washer, Hardened - M10	Rondelle - M10	Unterlegscheibe M10	Arandela	
27	6109236M1	1	Nut - M10 Nyloc Thin	Ecrou Blocage - M10	Flachmutter - M10	Tuerca	
28	6110133M1	1	V-Belt A/C Compressor	Courroie Trapez	Keilriemen	Correa Trapezoidal	
29	6110132M1	1	Stay Compressor	Support	Haltevorrichtung	Soporte	
30	3009491X1	1	Bolt M10 X 20	Boulon	Maschschraube M10	Tornillo	





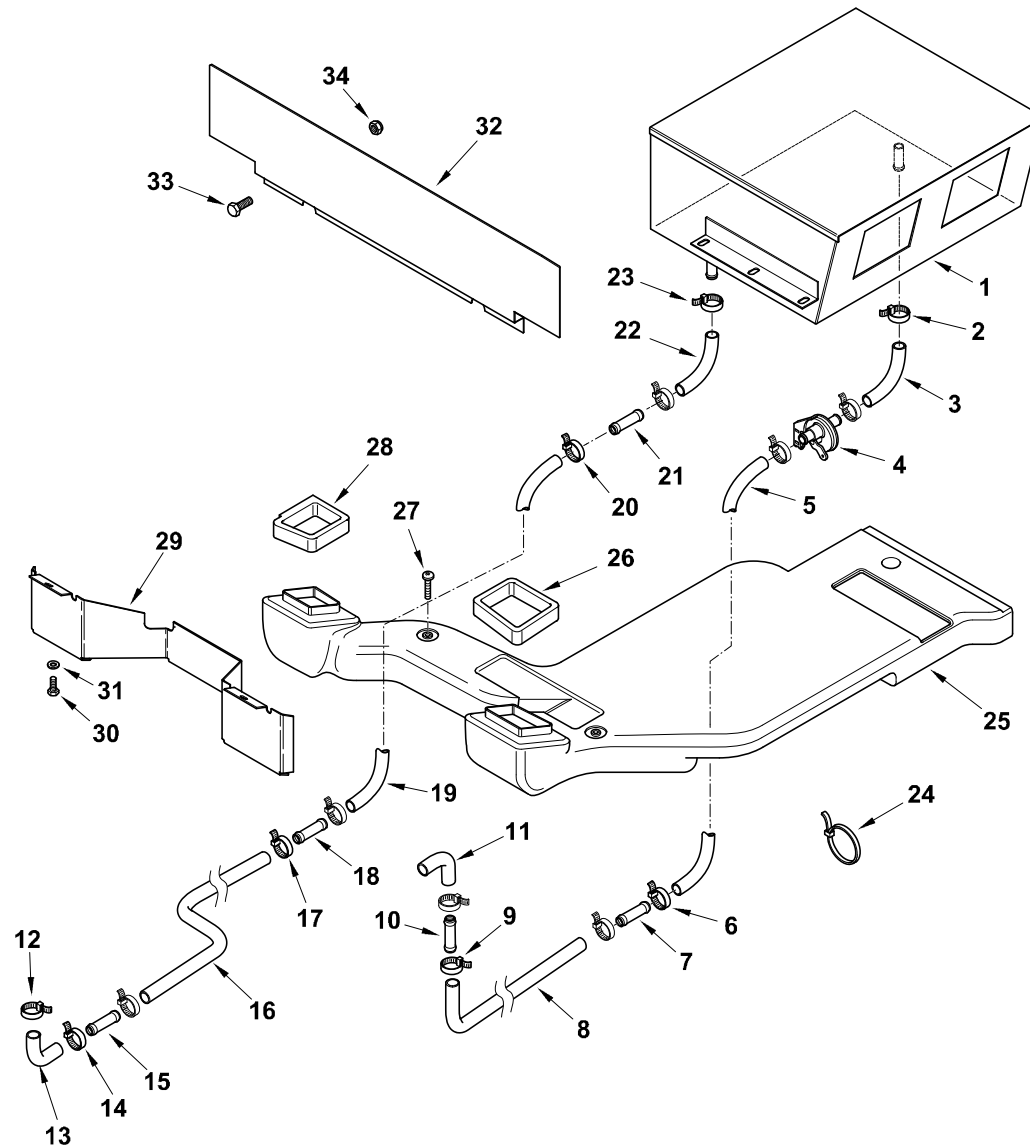
Item	Part No.	Qty.	English	French	German	Spanish	Remarks
31	390734X1	1	Washer M10-21-2 Z	Rondelle - M10	Unterlegscheibe	Arandela	
32	3009494X1	1	Bolt Hex - M10 X 35, Coarse	Boulon - M10 X 35	Maschschraube M10	Tornillo	
33	385362X1	1	Washer, Hardened - M10	Rondelle - M10	Unterlegscheibe M10	Arandela	
34	6109236M1	1	Nut - M10 Nyloc Thin	Ecrou Blocage - M10	Flachmutter - M10	Tuerca	
35	6110179M91	1	Heat Detector - Engine	Isolation	Schalldämmung	Aislante	
36	3517592M2	3	Decal - Air Con ISO	Adhésif	Aufkleber	Adhesivo	
37	394367X1	3	Nut, Hex. - Nyloc, M8	Ecrou Blocage M8	Flachmutter - M8	Tuerca De Retención	
38	390972X1	4	Washer M8-17-1 Zwl	Rondelle M8	Scheibe - M8	Arandela	
39	6111889M1	1	Clamp - Air Con Drier	Collier	Halteschelle	Argolla De Cierre	H200 7 3746
40	6111888M1	1	Bracket - Receiver Drier	Support Fixation	Haltearm	Pata De Fijación	H200 7 3746
41	6007754M1	1	Bolt - M8 X 25	Boulon	Maschschraube	Perno	

C-49011-02.1-B



Item	Part No.	Qty.	English	French	German	Spanish	Remarks
1	#UNIT, HEATER	1	Unit, Heater	Unit, Heater	Unit, Heater	Unit, Heater	49011c04.1 1
2	3517410M1	3	Clip Hose 16/25	Bride Pour Tutaux	Schlauchschelle	Clip	
3	6107361M1	1	Elbow-Rubber	Coude En Caoutchouc	Gummikrueemmer	Codo, 90°	
4	6106705M1	1	Water Valve, Heater	Distributeur	Steuerventil	Distribuidor	Ec05/073 Acc66c
4	6110874M1	1	Valve - Water Heater	Soupape	Ventil	Válvula	Ec05/073
5	6110268M1	1	Hose-Heater X 250nom	Flexible	Schlauch	Tubo Flexible	
6	3517410M1	2	Clip Hose 16/25	Bride Pour Tutaux	Schlauchschelle	Clip	
7	3521772M1	1	Connector Tube 5/8	Connecteur	Steckverbindung	Conector	
8	6003690M1	1	Hose-Heater	Flexible	Schlauch	Tubo Flexible	
9	3517410M1	2	Clip Hose 16/25	Bride Pour Tutaux	Schlauchschelle	Clip	
10	3521772M1	1	Connector Tube 5/8	Connecteur	Steckverbindung	Conector	
11	3521752M1	1	Elbow - Rubber	Coude	Winkelstuck	Codo, 90°	
12	3517410M1	1	Clip Hose 16/25	Bride Pour Tutaux	Schlauchschelle	Clip	
13	6107361M1	1	Elbow-Rubber	Coude En Caoutchouc	Gummikrueemmer	Codo, 90°	
14	3517410M1	2	Clip Hose 16/25	Bride Pour Tutaux	Schlauchschelle	Clip	
15	3521772M1	1	Connector Tube 5/8	Connecteur	Steckverbindung	Conector	
16	6013369M1	1	Hose-Heater	Flexible	Schlauch	Tubo Flexible	
17	3517410M1	2	Clip Hose 16/25	Bride Pour Tutaux	Schlauchschelle	Clip	
18	3521772M1	1	Connector Tube 5/8	Connecteur	Steckverbindung	Conector	
19	6110268M1	1	Hose-Heater X 250nom	Flexible	Schlauch	Tubo Flexible	
20	3517410M1	2	Clip Hose 16/25	Bride Pour Tutaux	Schlauchschelle	Clip	
21	3521772M1	1	Connector Tube 5/8	Connecteur	Steckverbindung	Conector	
22	6107361M1	1	Elbow-Rubber	Coude En Caoutchouc	Gummikrueemmer	Codo, 90°	
23	3517410M1	1	Clip Hose 16/25	Bride Pour Tutaux	Schlauchschelle	Clip	
24	724497M1	5	Tie 380mm T120r	Attache Câble	Kabelbinder	Enlace De Cable	
25	6101717M93	1	Air Conditioning Duct Assy - Front	Chambre À Air	Luftleitkanal	Conducto	
26	6101634M1	1	Seal-Foam-Front-Lh	Joint	Dichtung	Junta	
27	3009537X1	2	Screw - Pan Head (M5 X 20)	Vis	Schraube	Tornillo	
28	6101635M1	1	Seal-Foam-Front-Rh	Joint	Dichtung	Junta	
29	6102371M3	1	Plate-Air Con De•ector	Dé•ecteur	Abweisblech	De•ector	March 2005

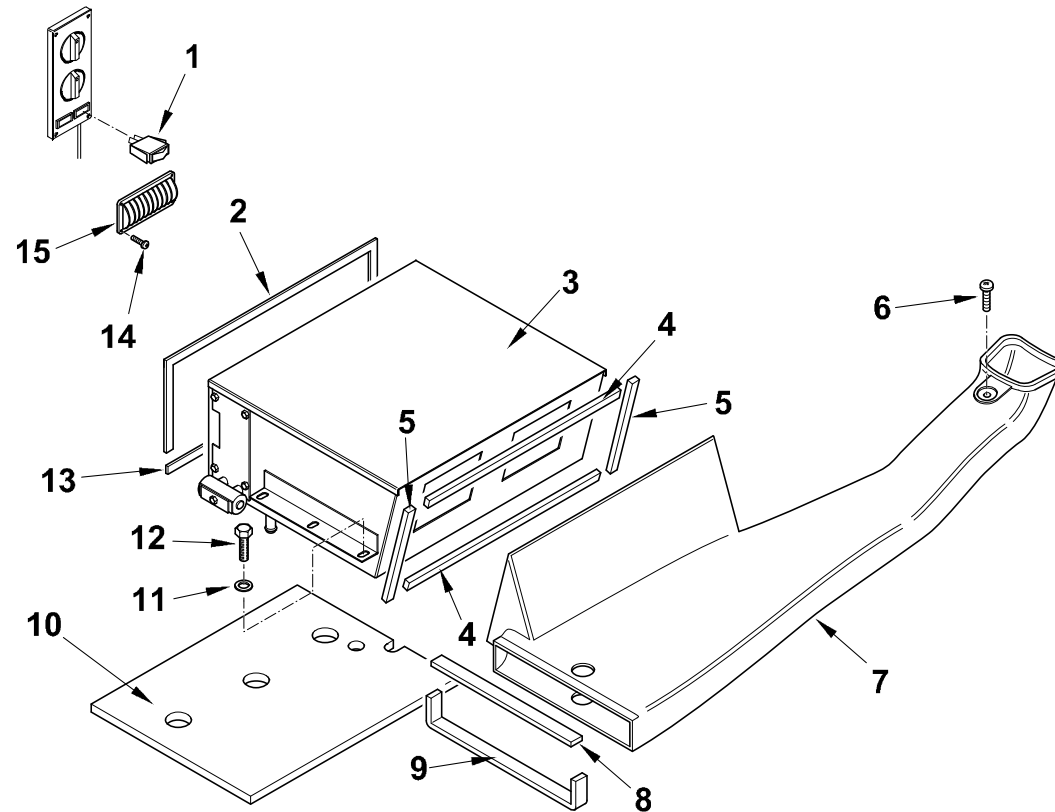
C-49011-02.1-B



Item	Part No.	Qty.	English	French	German	Spanish	Remarks
30	339560X1	2	Bolt - M6 X 16mm (Hex.)	Boulon M6 X 16	Maschschraube - M6	Tornillo	March 2005
31	3019571X1	2	Washer, Large - M6, Hardened	Rondelle	Unterlegscheibe	Arandela	March 2005
32	6102370M1	1	Bracket-Air Con.	Dé•ecteur	Abweisblech	De•ector	
33	339123X1	2	Bolt M8-20 Z5f	Boulon M8 X 20	Maschschraube M8	Perno	
34	394367X1	2	Nut, Hex. - Nyloc, M8	Ecrou Blocage M8	Flachmutter - M8	Tuerca De Retención	

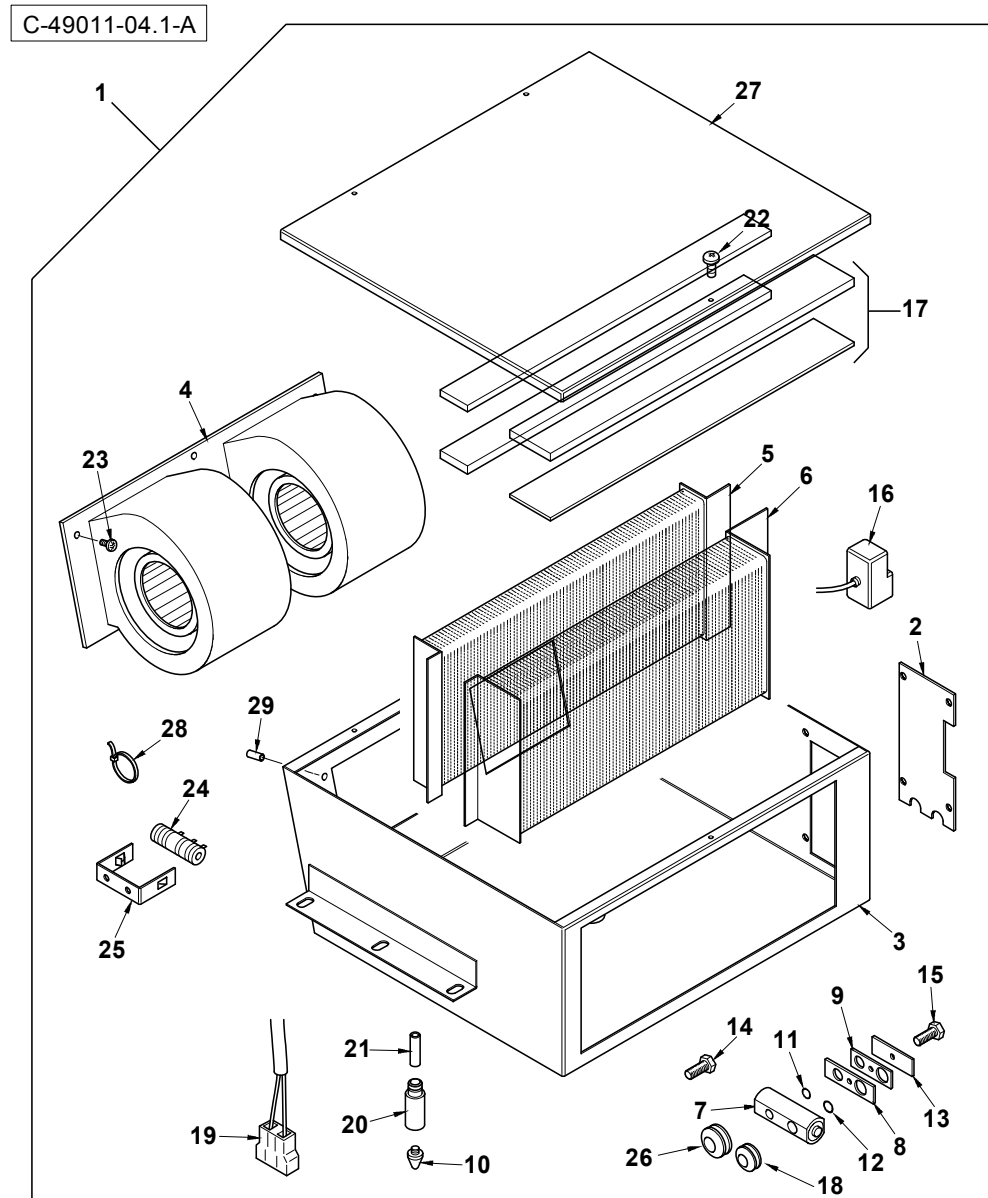


C-49011-03.1-C



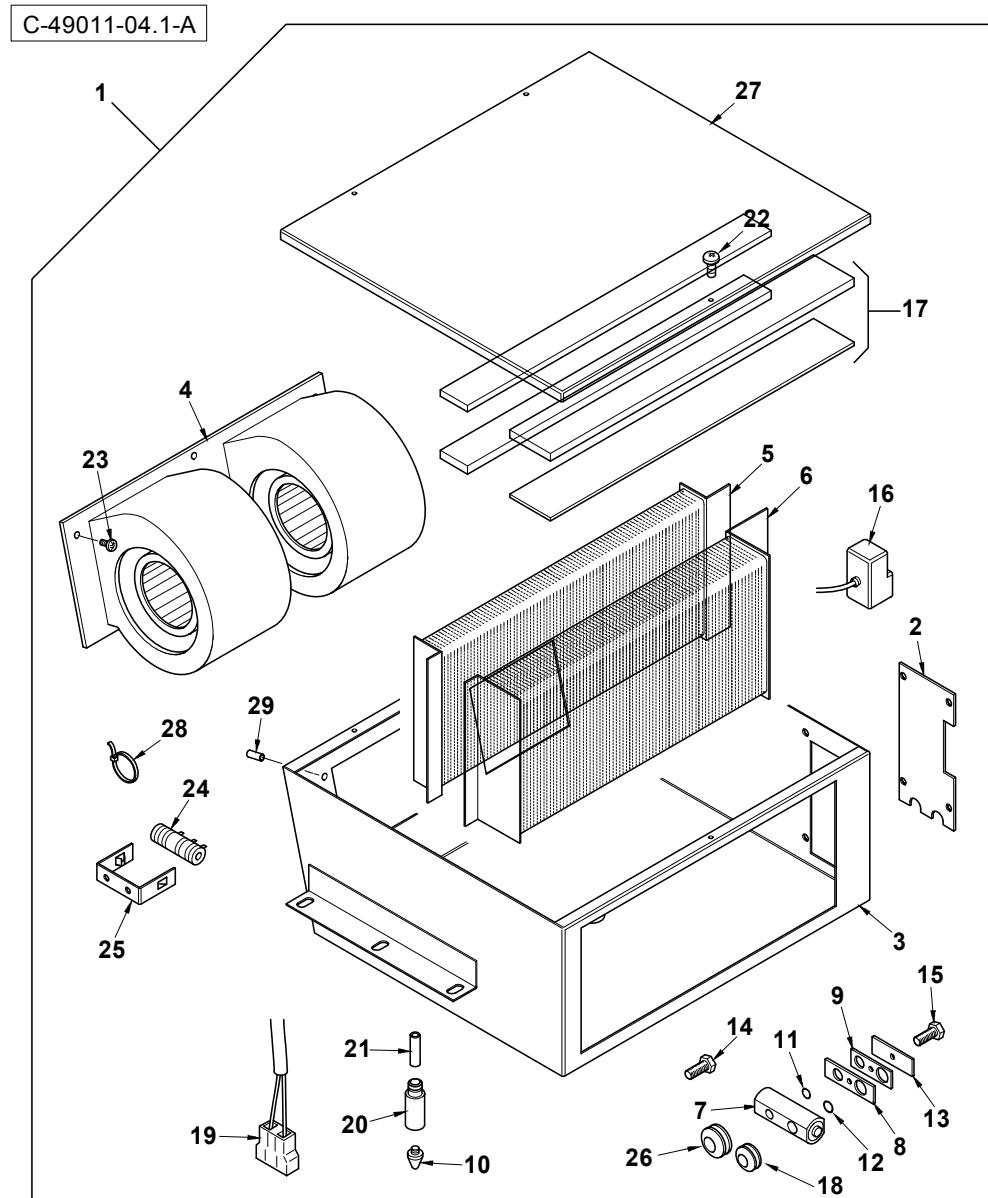
Item	Part No.	Qty.	English	French	German	Spanish	Remarks
1	6110130M91	1	Switch- Air Con	Interrupteur	Schalter	Conmutador, Conj.	
2	6101692M1	1	Seal-Foam-Console-Rh	Joint	Dichtung	Junta	
3	#UNIT, HEATER	1	Unit, Heater	Unit, Heater	Unit, Heater	Unit, Heater	49011c04.1 1
4	6101632M1	2	Seal-Foam-Heater	Joint	Dichtung	Junta	
5	6101633M1	2	Seal-Foam-Heater	Joint	Dichtung	Junta	
6	3009537X1	1	Screw - Pan Head (M5 X 20)	Vis	Schraube	Tornillo	
7	6101718M91	1	Duct-Rear-Air Con Assy	Chambre À Air	Luftleitkanal	Cámara De Aire	Rear
8	6101666M1	1	Seal-Foam-Joint	Joint	Dichtung	Junta	
9	6101667M1	1	Seal-Foam-Joint	Joint	Dichtung	Junta	
10	6102447M2	1	Foam-Air Con. Insulation	Mousse	Schaumstoff	Espuma	
11	3019571X1	6	Washer, Large - M6, Hardened	Rondelle	Unterlegscheibe	Arandela	
12	339560X1	4	Bolt - M6 X 16mm (Hex.)	Boulon M6 X 16	Maschschraube - M6	Tornillo	
13	6101693M1	1	Seal-Foam-Console-Rh	Joint	Dichtung	Junta	
14	3522735M4	4	Screw M3 .5 X 20	Vis Autotaraud	Schneidschraube	Tornillo	
15	6106727M1	1	Louvre Heater & Aircon	Diffuseur	Luftdüse	Difusor	





Item	Part No.	Qty.	English	French	German	Spanish	Remarks
1	6112779M91	1	Heater/Aircon Unit	Climatisation	Klimaanlage	Climatizador	4911c02.1 1 49011c03.1 1 From H200 07 5530
1	6108644M91	1	Heater/Air Cond.Assy	Climatisation	Klimaanlage	Climatizador	49011c02.1 1 49011c03.1 1 Up To H200 07 5530
2	#COVER	1	Cover	Cover	Cover	Cover	Ref. 1
3	#COVER	1	Cover	Cover	Cover	Cover	Ref. 1
4	6193046M91	1	Blower Motor - Heater	Souf•erie	Geb•läse	Soplador	Up To H200 07 5530
4	6195170M91	1	Blower Assembly	Souf•erie	Gebiase	Soplador	From H200 07 5530
5	6193047M1	1	Heating Element	Element De Chauffage	Heizelement	Heizelement	Heater
6	6193612M1	1	Evaporator Air Conditioning	Bobine	Wicklung, Spule	Bobina	Evaporator
7	6193044M91	1	Valve-Heater Expansion	Soupape	Ventil	V•lvula	
8	6193708M1	1	Plate-Heater Clamp	Plaque	Platte	Placa	
9	6193045M1	1	Plate-Heater Clamp	Plaque	Platte	Placa	
10	6193056M1	2	Nipple-Heater Drain	Robinet De Vidange	Ablasshahn	Grifo De Vaciado	
11	6193041M1	1	O-Ring-No. 8	Joint Torique	O-Ring	Junta De Tipo O	
12	6193042M1	1	O-Ring-No. 10	Joint Torique	O-Ring	Junta De Tipo O	
13	#CLAMP	1	Clamp	Clamp	Clamp	Clamp	Ref. 1
14	#BOLT	2	Bolt	Boulon	Schraubbolzen	Perno	Ref. 1
15	#BOLT	1	Bolt	Boulon	Schraubbolzen	Perno	Ref. 1
16	6193052M91	1	Thermostat-Heater	Thermostat	Thermostat	Termostato	
17	6193051M91	1	Kit Seal Strips	Jeu •tanch•eit•	Dichtringsatz	Juego De Juntas	
18	6193039M1	3	Grommet-Heater	Passe-Fil	T•lle	Pasa Cable	
19	6112781M91	1	Harness - Combi	Ensemble De Faisceau	Kabelstrang Kpl.	Haz, Conj.	From H200 07 5530
19	6193049M91	1	Harness-Heater Wiring	Ensemble De Faisceau	Kabelstrang Kpl.	Haz, Conj.	Up To H200 07 5530
20	6193040M91	2	Valve-Heater Drain Check	Clapet Anti-Retour	R•ckschlagventil	V•lvula De Parada	
21	6193050M1	2	Pipe-Heater Drain	Tuyau	Rohr	Tubo	
22	#SCREW	15	Screw	Vis	Schraube	Tornillo	Ref. 1
23	#SCREW	3	Screw	Vis	Schraube	Tornillo	Ref. 1
24	6193055M91	1	Resistance, Heater Unit	R•sistance	Widerstand	Resistencia	
25	6193053M1	1	Bracket-Heater Resistor	Patte Fixation	Halter	Pata De Fijaci•n	
26	6193054M1	1	Grommet-Heater Exp.Valve Pipe	Passe-Fil	T•lle	Pasa Cable	
27	#COVER	1	Cover	Cover	Cover	Cover	Ref. 1

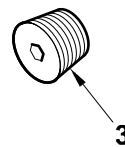
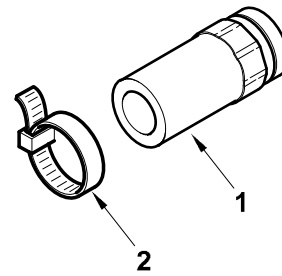
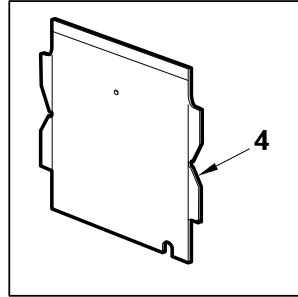




Item	Part No.	Qty.	English	French	German	Spanish	Remarks
28	#TIE, CABLE	1	Tie, Cable	Tie, Cable	Tie, Cable	Tie, Cable	Ref. 1
29	#SLEEVE	3	Sleeve	Manchon	Hülse	Mancha	Ref. 1



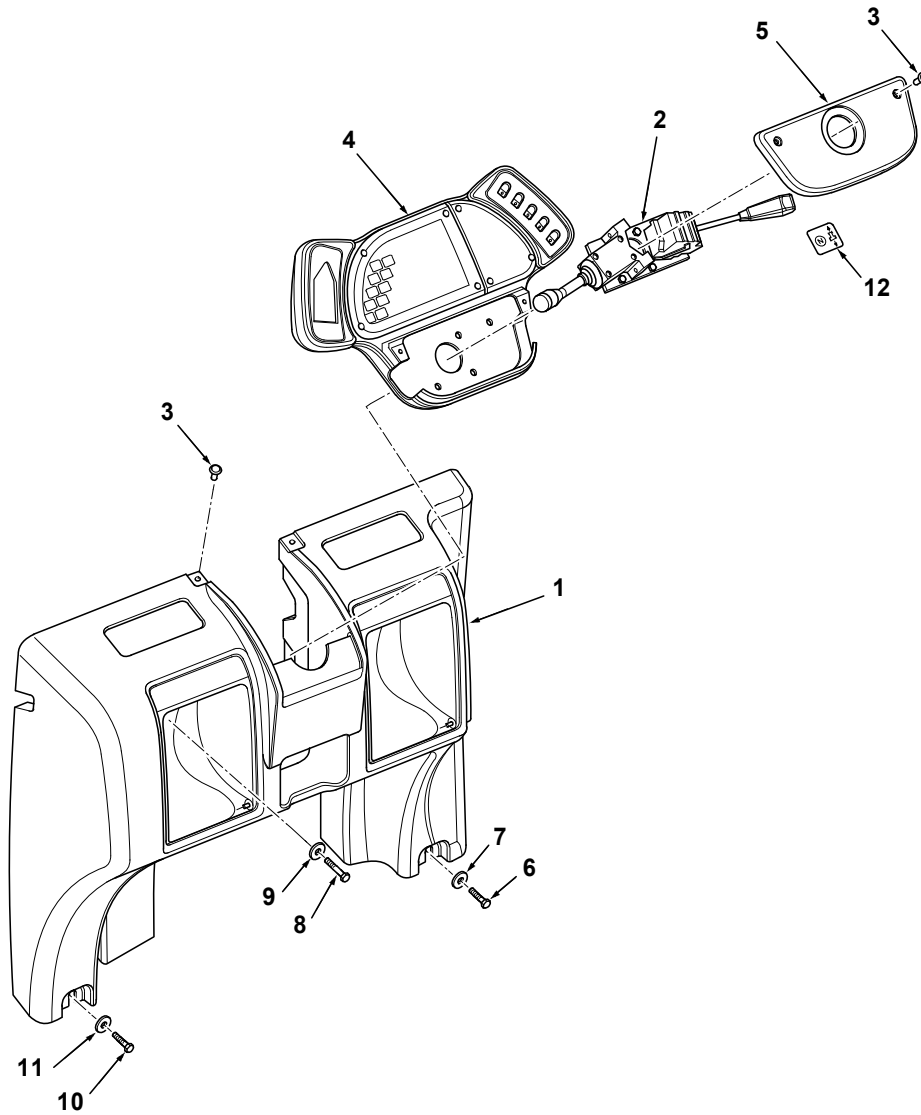
C-49012-01.1-C



Item	Part No.	Qty.	English	French	German	Spanish	Remarks
1	T101029	1	Heater Outlet Blanking Cap	Chapeau	Kappe	Tapa	
2	3517410M1	1	Clip Hose 16/25	Bride Pour Tutaux	Schlauchschelle	Clip	
3	6110927M1	1	Perkins Plug	Bouchon	Verschlopfen	Tapón	
4	6110179M91	1	Heat Detector - Engine	Isolation	Schalldämmung	Aislante	



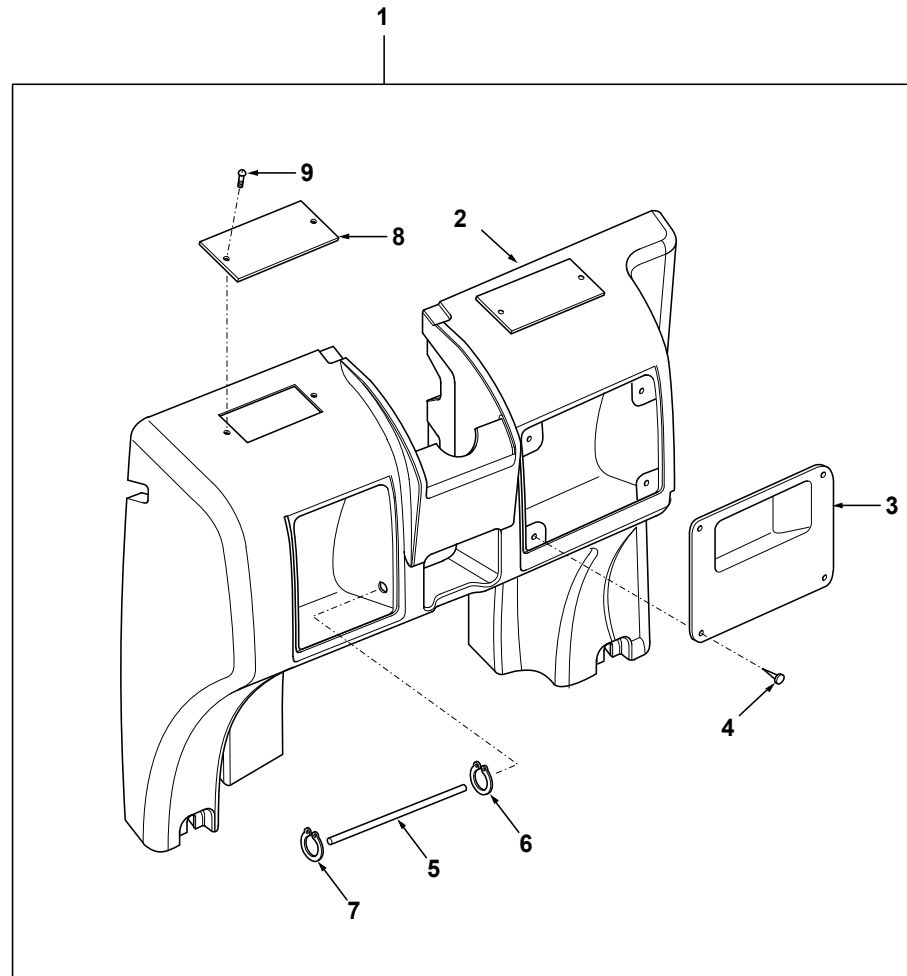
C-55003-01.1-A



Item	Part No.	Qty.	English	French	German	Spanish	Remarks
1	6108166M92	1	Front Console Lower-Rops	Console	Konsole	Consola	55003c02.1 1
2	#SWITCH, SELECTOR	1	Switch, Selector	Switch, Selector	Switch, Selector	Switch, Selector	55003c04.1 1
3	6101591M1	4	Fastener - "Scrivet"	Rivet	Niete	Remache	
4	#PANEL, INSTRUMENT	1	Panel, Instrument	Panel, Instrument	Panel, Instrument	Panel, Instrument	55003c03.1 1
5	6099518M1	1	Cover - Front Console Upper (Grey)	Cache	Abdeckung	Tapa	
6	339009X1	1	Bolt - M8 X 35	Boulon M8 X 35	Maschschraube M8	Tornillo	
7	6101768M1	1	Washer	Rondelle	Scheibe	Arandela	
8	339123X1	2	Bolt M8-20 Z5f	Boulon M8 X 20	Maschschraube M8	Perno	
9	6101768M1	2	Washer	Rondelle	Scheibe	Arandela	
10	339009X1	1	Bolt - M8 X 35	Boulon M8 X 35	Maschschraube M8	Tornillo	
11	6101768M1	1	Washer	Rondelle	Scheibe	Arandela	
12	6101914M1	1	Decal - Forward / Reverse	Adhésif	Aufkleber	Adhesivo	



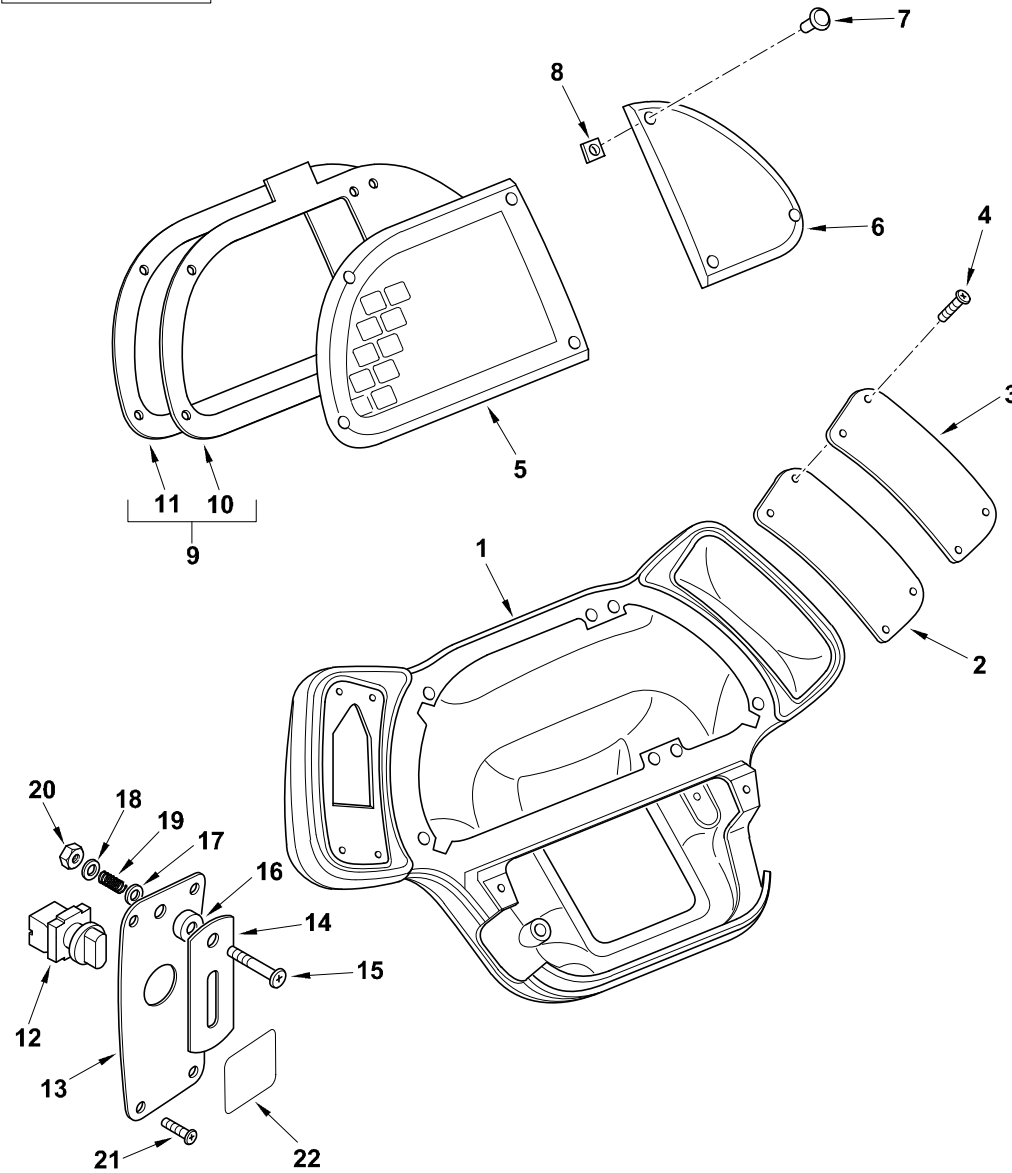
C-55003-02.1-A



Item	Part No.	Qty.	English	French	German	Spanish	Remarks
1	6108166M92	1	Front Console Lower-Rops	Console	Konsole	Consola	55003c01.1 1
2	6106858M2	1	Front Console Lower-Rops	Console	Konsole	Consola	
3	6106812M2	1	Cover - Console Pocket (Grey)	Cache	Abdeckung	Tapa	
4	3521303M3	4	Fastener, Plastic - Gear Lever Gaiter	Agrafe	Halteklammer	Eganche	
5	6108289M1	1	Pin-Rops Console Rail	Rail	Schiene	Carril	
6	3000115X1	1	Clip-Spring	Segment D'Arrêt	Sicherungsring	Circlip	
7	3000115X1	1	Clip-Spring	Segment D'Arrêt	Sicherungsring	Circlip	
8	6108290M1	2	Cover, Blanking - Heater Vents, ROPS	Cache	Abdeckung	Placa	
9	3522735M4	4	Screw M3 .5 X 20	Vis Autotaraud	Schneidschraube	Tornillo	



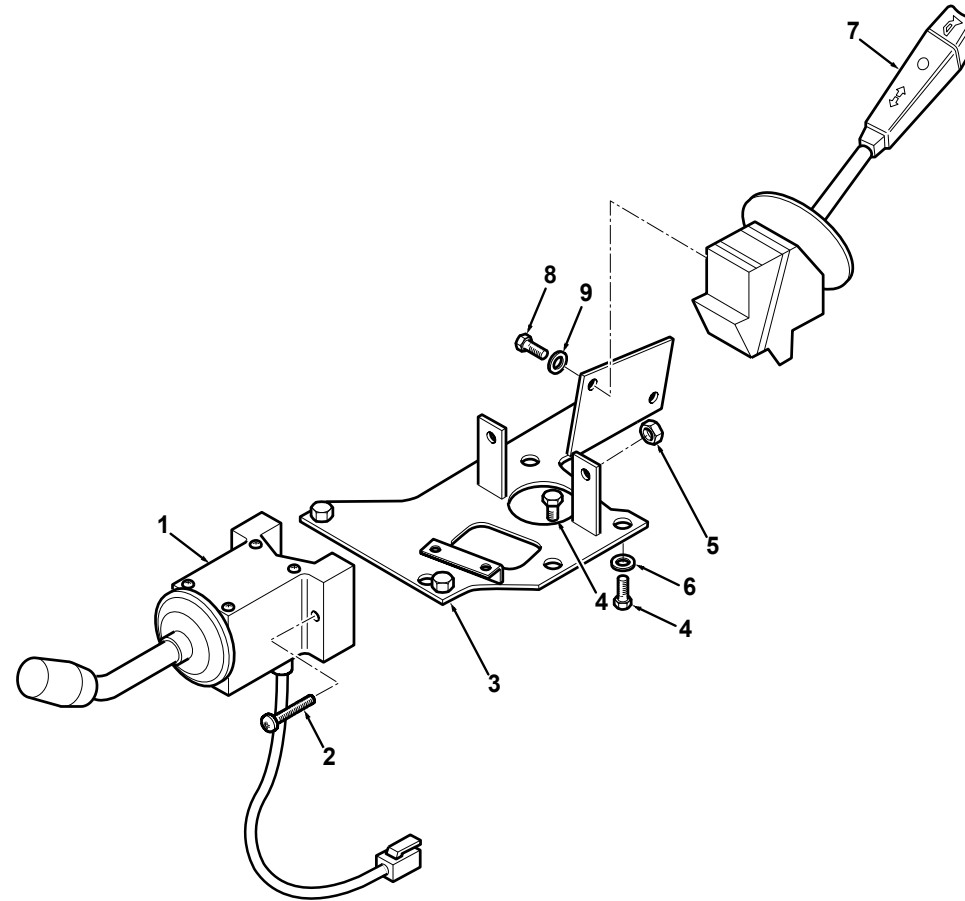
C-55003-03.1-B



Item	Part No.	Qty.	English	French	German	Spanish	Remarks
1	6099537M1	1	Front Console Upper Cab (Grey)	Console	Konsole	Consola	55003c01.1 4
2	6109902M1	1	Panel Blank - Hole 3mm Dia.	Panneau	Deckblech	Panel	
3	6109915M1	1	Panel Blank - Hole 4mm Dia.	Panneau	Deckblech	Panel	
4	3516218M2	4	Screw S/Tapping	Vis	Schraube	Tornillo	
5	6102305M93	1	Panel, Instrument - Front, Less Speedo	Tableau De Bord	Brett, Armaturen	Tablero Instrumentos	
6	6101807M1	1	Panel, Top R/H - Front Console (Grey)	Couvercle	Abdeckblech	Tapa	
7	6111375M1	7	Screw - Panel No.6 X 25 Lg	Vis	Schraube	Tornillo	
8	6101590M1	7	Nut "U" M4	Ecrou	Mutter	Tuerca En U	
9	6102824M91	1	Plate-Mounting	Plaque De Fermeture	Verschlussplatte	Placa De Cierre	
10	#PLATE	1	Plate	Plaque	Platte	Plato	Ref. 9
11	6102609M1	1	Gasket	Joint	Dichtring	Empaquetadura	
12	3519935M91	1	4wd Switch Assy	Commutateur Ass.	Schalter Kplt	Contactar	
13	6106194M1	1	Switch Plate 4wheel Brake	Plaque	Platte	Placa	
14	6106195M2	1	Indicator 4 Wheel Brake Lever	Témoin	Anzeige	Indicador	
15	3009542X1	1	Screw Pan Hd.M6 X 45	Vis	Schraube	Tornillo	
16	3516528M1	1	Boss	Bossage	Anschweißauge	Traviesa	
17	3516528M1	2	Boss	Bossage	Anschweißauge	Traviesa	
18	390971X1	1	Washer M6-12-1 Zwl	Rondelle - M6	Scheibe - M6	Arandela	
19	3516529M1	1	Spring	Siège De Ressort	Federsitz	Muelle	
20	1441500X1	4	Nut M6 Z5 Nyloc	Ecrou	Flachmutter M6	Tuerca De Retención	
21	3516218M2	1	Screw S/Tapping	Vis	Schraube	Tornillo	
22	6106221M1	4	Decal-4w Brake Select Switch	Adhésif	Aufkleber	Adhesivo	



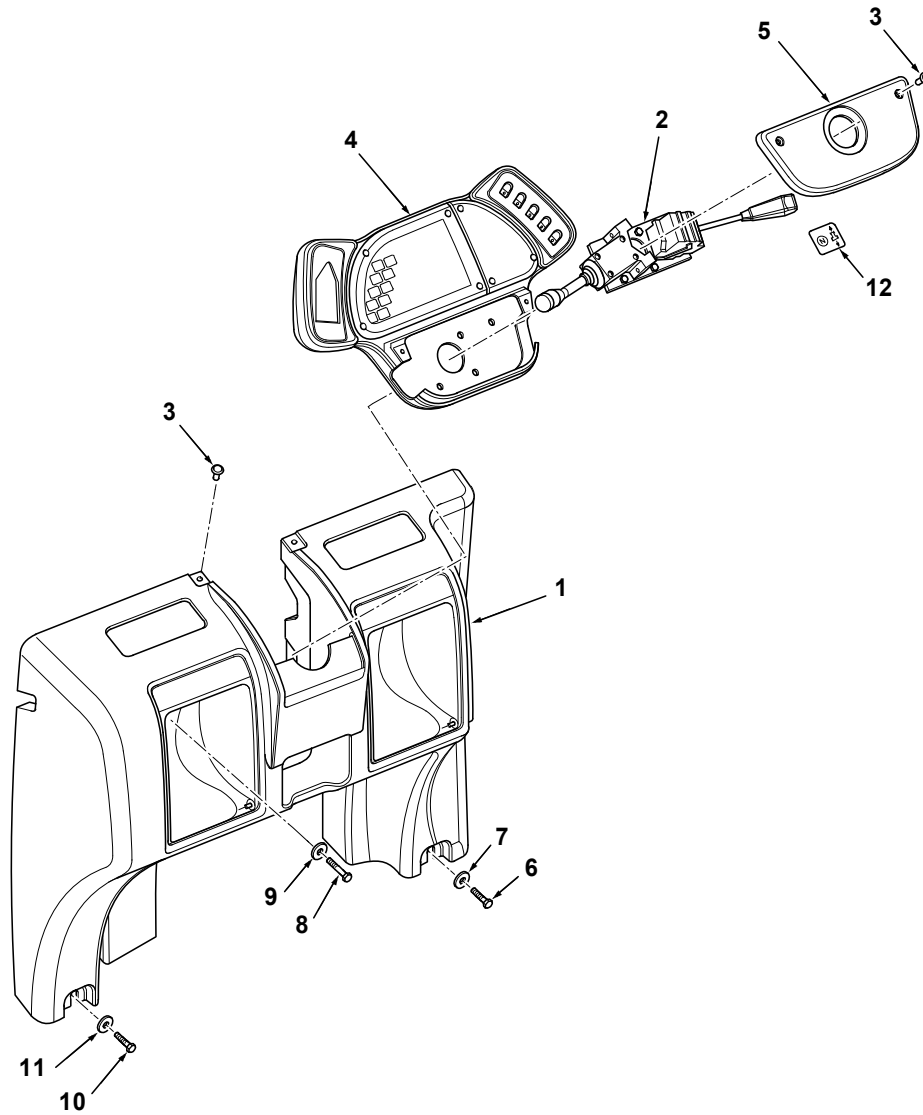
C-55003-04.1-A



Item	Part No.	Qty.	English	French	German	Spanish	Remarks
1	3519823M91	1	Switch Assy. - Forward/Reverse	Commutateur Ass.	Schalter Kplt	Conmutador	55003c01.1 2
2	3009538X1	2	Screw Pan Hd.M5 X 35	Vis	Schraube	Tornillo	
3	6107120M92	1	Bracket - Switch Mounting	Ensemble Support	Halter Kpl	Cuchara, Conj.	
4	339124X1	6	Bolt M8-16 Z5f	Goupille	Maschschrb Metr - M8	Tornillo	
5	1441494X1	2	Nut, Nyloc - M5	Ecrou Métrique	Mutter Metrisch	Tuerca De Retención	
6	390972X1	3	Washer M8-17-1 Zwl	Rondelle M8	Scheibe - M8	Arandela	
7	3516095M1	1	Switch, Indicators/Horn - Strg. Column	Commutateur	Wählschalter	Conmutador	
8	3007932X1	1	Screw Pan Hd.M5 X 12	Vis	Schraube	Tornillo	
9	3019560X1	2	Washer M5	Rondelle	Scheibe	Arandela	



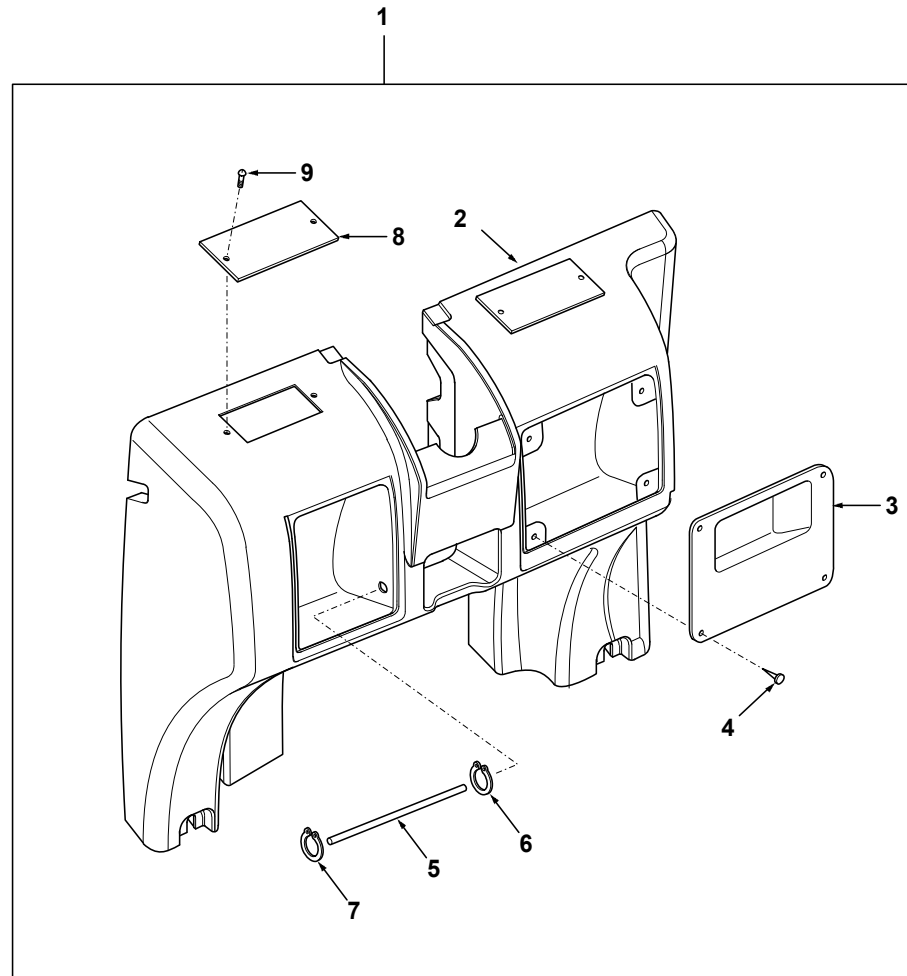
C-55004-01.1-A



Item	Part No.	Qty.	English	French	German	Spanish	Remarks
1	6108166M92	1	Front Console Lower-Rops	Console	Konsole	Consola	55004c02.1 1
2	#SWITCH, SELECTOR	1	Switch, Selector	Switch, Selector	Switch, Selector	Switch, Selector	55004c04.1 1
3	6101591M1	4	Fastener - "Scrivet"	Rivet	Niete	Remache	
4	#PANEL, INSTRUMENT	1	Panel, Instrument	Panel, Instrument	Panel, Instrument	Panel, Instrument	55004c03.1 1
5	6099518M1	1	Cover - Front Console Upper (Grey)	Cache	Abdeckung	Tapa	
6	339009X1	1	Bolt - M8 X 35	Boulon M8 X 35	Maschschraube M8	Tornillo	
7	6101768M1	1	Washer	Rondelle	Scheibe	Arandela	
8	339123X1	2	Bolt M8-20 Z5f	Boulon M8 X 20	Maschschraube M8	Perno	
9	6101768M1	2	Washer	Rondelle	Scheibe	Arandela	
10	339009X1	1	Bolt - M8 X 35	Boulon M8 X 35	Maschschraube M8	Tornillo	
11	6101768M1	1	Washer	Rondelle	Scheibe	Arandela	
12	6101914M1	1	Decal - Forward / Reverse	Adhésif	Aufkleber	Adhesivo	



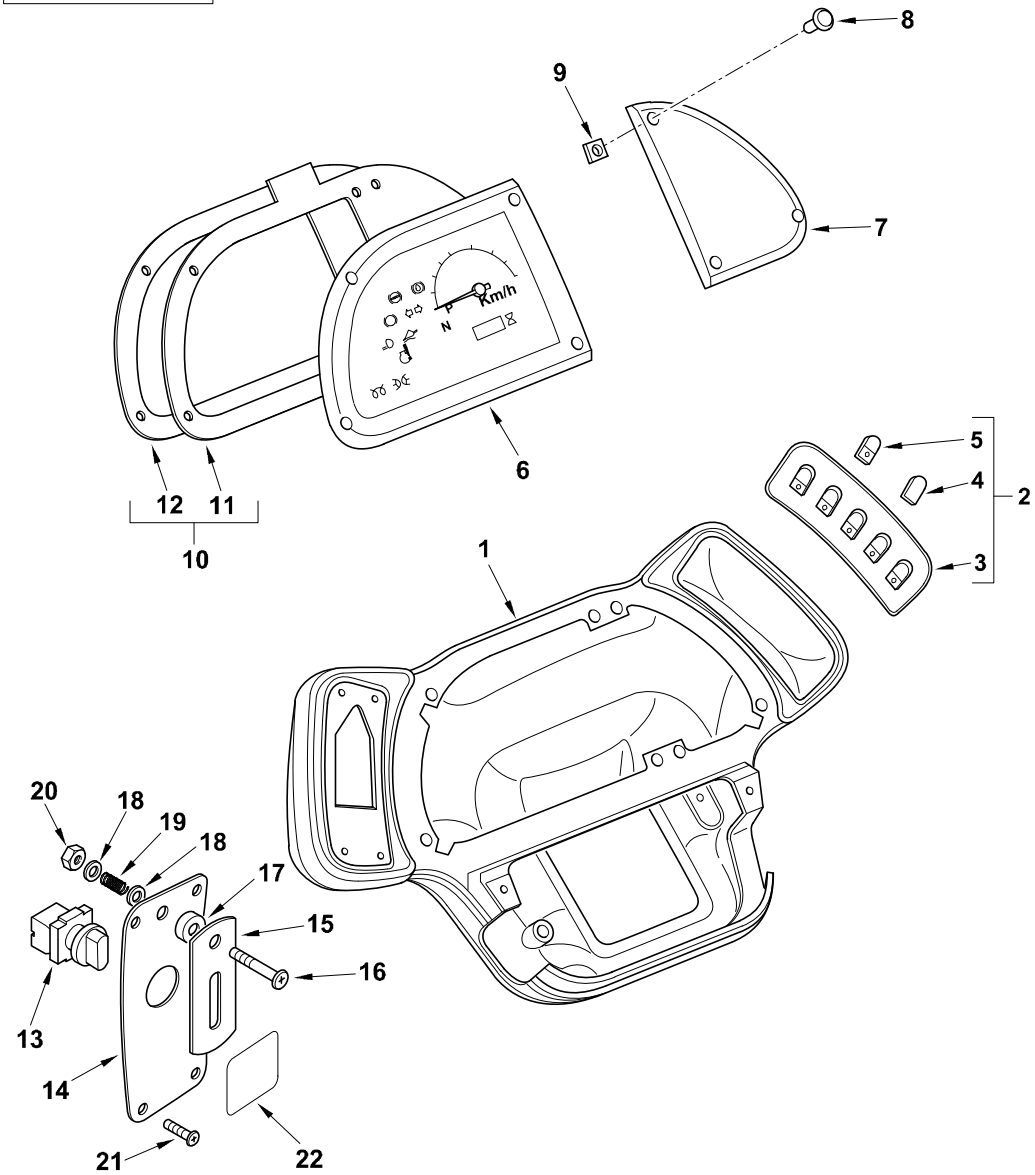
C-55004-02.1-A



Item	Part No.	Qty.	English	French	German	Spanish	Remarks
1	6108166M92	1	Front Console Lower-Rops	Console	Konsole	Consola	55004c01.1 1
2	6106858M2	1	Front Console Lower-Rops	Console	Konsole	Consola	
3	6106812M2	1	Cover - Console Pocket (Grey)	Cache	Abdeckung	Tapa	
4	3521303M3	4	Fastener, Plastic - Gear Lever Gaiter	Agrafe	Halteklammer	Eganche	
5	6108289M1	1	Pin-Rops Console Rail	Rail	Schiene	Carril	
6	3000115X1	1	Clip-Spring	Segment D'Arrêt	Sicherungsring	Circlip	
7	3000115X1	1	Clip-Spring	Segment D'Arrêt	Sicherungsring	Circlip	
8	6108290M1	2	Cover, Blanking - Heater Vents, ROPS	Cache	Abdeckung	Placa	
9	3522735M4	4	Screw M3 .5 X 20	Vis Autotaraud	Schneidschraube	Tornillo	



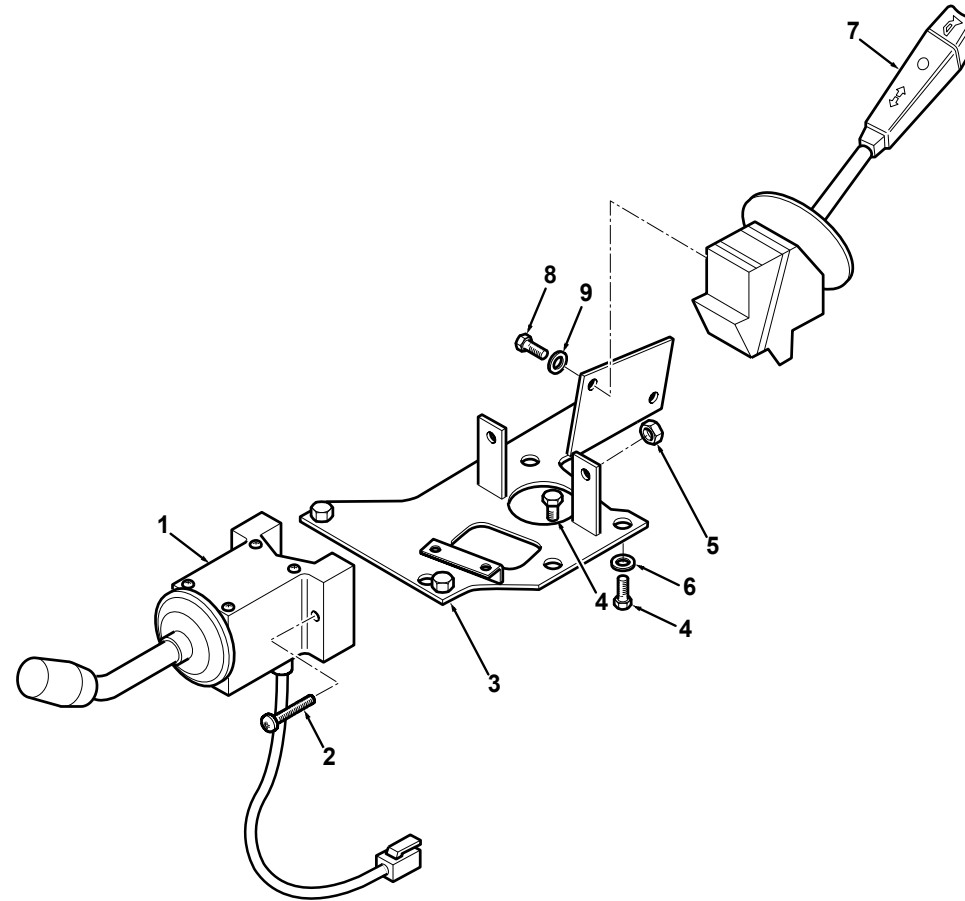
C-55004-03.1-B



Item	Part No.	Qty.	English	French	German	Spanish	Remarks
1	6099537M1	1	Front Console Upper Cab (Grey)	Console	Konsole	Consola	55004c01.1 4
2	6109507M91	1	Switchpack RH - Front Console	Paquet De Commut.	Schaltsatz	Paquete De Cambio	
3	#SWITCHPACK	1	Switchpack	Switchpack	Switchpack	Switchpack	Ref. 2
4	6101778M1	3	Cover-Switch W/Out Legend (Grey)	Cache	Abdeckung	Tapa	
5	6101777M91	2	Cover Assy. - Switch Operating	Cache	Abdeckung	Tapa	
6	6102305M93	1	Panel, Instrument - Front, Less Speedo	Tableau De Bord	Brett, Armaturen	Tablero Instrumentos	
7	6101807M1	1	Panel, Top R/H - Front Console (Grey)	Couvercle	Abdeckblech	Tapa	
8	6111375M1	7	Screw - Panel No.6 X 25 Lg	Vis	Schraube	Tornillo	
9	6101590M1	7	Nut "U" M4	Ecrou	Mutter	Tuerca En U	
10	6102824M91	1	Plate-Mounting	Plaque De Fermeture	Verschlussplatte	Placa De Cierre	
11	#PLATE	1	Plate	Plaque	Platte	Plato	Ref. 10
12	6102609M1	1	Gasket	Joint	Dichtring	Empaquetadura	
13	3519935M91	1	4wd Switch Assy	Commutateur Ass.	Schalter Kplt	Contactar	
14	6106194M1	1	Switch Plate 4wheel Brake	Plaque	Platte	Placa	
15	6106195M2	1	Indicator 4 Wheel Brake Lever	Témoin	Anzeige	Indicador	
16	3009542X1	1	Screw Pan Hd.M6 X 45	Vis	Schraube	Tornillo	
17	3516528M1	1	Boss	Bossage	Anschweißauge	Traviesa	
18	390971X1	2	Washer M6-12-1 Zwel	Rondelle - M6	Scheibe - M6	Arandela	
19	3516529M1	1	Spring	Siège De Ressort	Federsitz	Muelle	
20	1441500X1	1	Nut M6 Z5 Nyloc	Ecrou	Flachmutter M6	Tuerca De Retención	
21	3516218M2	4	Screw S/Tapping	Vis	Schraube	Tornillo	
22	6106221M1	1	Decal-4w Brake Select Switch	Adhésif	Aufkleber	Adhesivo	

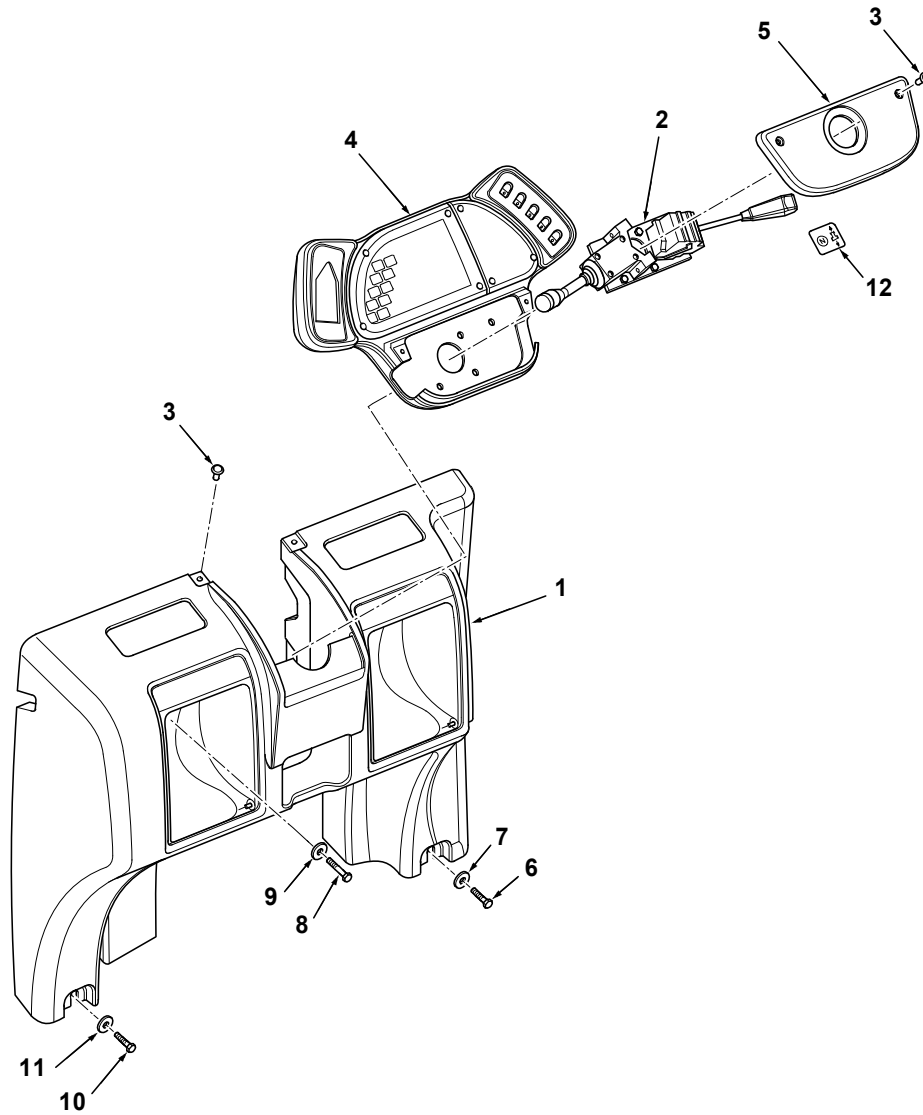


C-55004-04.1-A



Item	Part No.	Qty.	English	French	German	Spanish	Remarks
1	3519823M91	1	Switch Assy. - Forward/Reverse	Commutateur Ass.	Schalter Kplt	Conmutador	55004c01.1 2
2	3009538X1	2	Screw Pan Hd.M5 X 35	Vis	Schraube	Tornillo	
3	6107120M92	1	Bracket - Switch Mounting	Ensemble Support	Halter Kpl	Cuchara, Conj.	
4	339124X1	6	Bolt M8-16 Z5f	Goupille	Maschschrb Metr - M8	Tornillo	
5	1441494X1	2	Nut, Nyloc - M5	Ecrou Métrique	Mutter Metrisch	Tuerca De Retención	
6	390972X1	3	Washer M8-17-1 Zwl	Rondelle M8	Scheibe - M8	Arandela	
7	3516095M1	1	Switch, Indicators/Horn - Strg. Column	Commutateur	Wählschalter	Conmutador	
8	3007932X1	1	Screw Pan Hd.M5 X 12	Vis	Schraube	Tornillo	
9	3019560X1	2	Washer M5	Rondelle	Scheibe	Arandela	

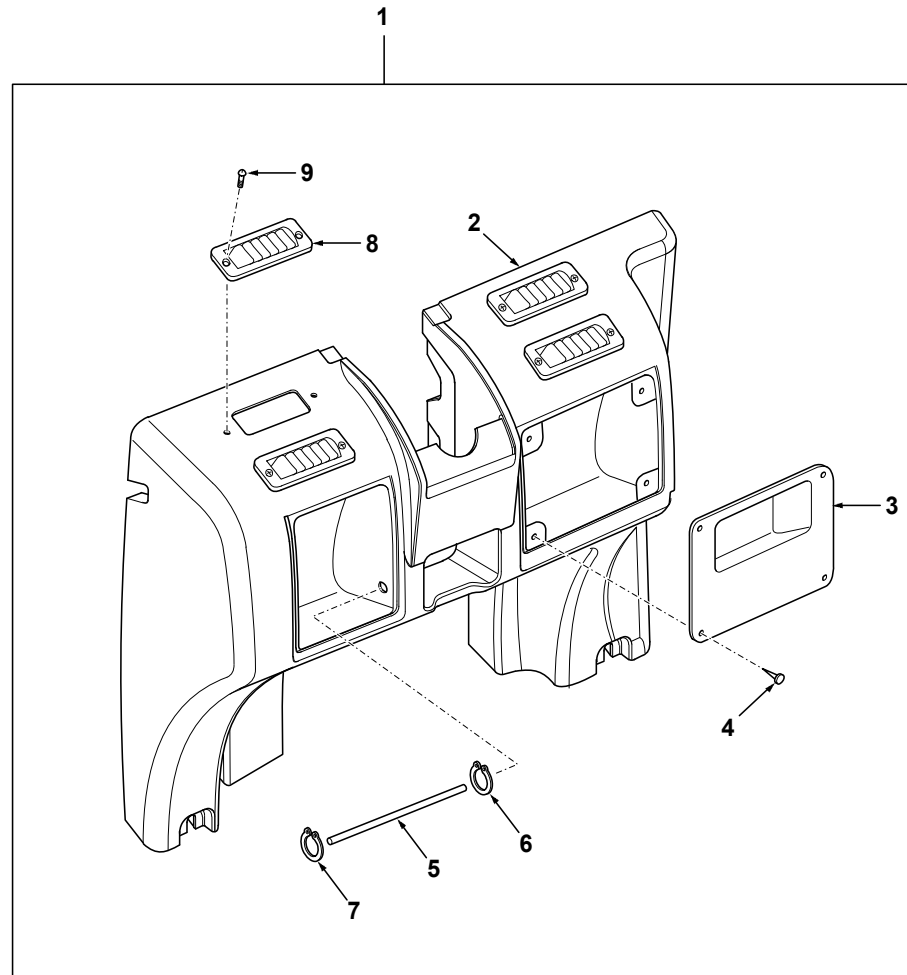
C-55006-01.1-A



Item	Part No.	Qty.	English	French	German	Spanish	Remarks
1	6106473M91	1	Front Console Lower-Cab	Console	Konsole	Consola	55006c02.1 1
2	#SWITCH, SELECTOR	1	Switch, Selector	Switch, Selector	Switch, Selector	Switch, Selector	55006c04.1 1
3	6101591M1	4	Fastener - "Scrivet"	Rivet	Niete	Remache	
4	#PANEL, INSTRUMENT	1	Panel, Instrument	Panel, Instrument	Panel, Instrument	Panel, Instrument	55006c03.1 1
5	6099518M1	1	Cover - Front Console Upper (Grey)	Cache	Abdeckung	Tapa	
6	339009X1	1	Bolt - M8 X 35	Boulon M8 X 35	Maschschraube M8	Tornillo	
7	6101768M1	1	Washer	Rondelle	Scheibe	Arandela	
8	339123X1	2	Bolt M8-20 Z5f	Boulon M8 X 20	Maschschraube M8	Perno	
9	6101768M1	2	Washer	Rondelle	Scheibe	Arandela	
10	339009X1	1	Bolt - M8 X 35	Boulon M8 X 35	Maschschraube M8	Tornillo	
11	6101768M1	1	Washer	Rondelle	Scheibe	Arandela	
12	6101914M1	1	Decal - Forward / Reverse	Adhésif	Aufkleber	Adhesivo	



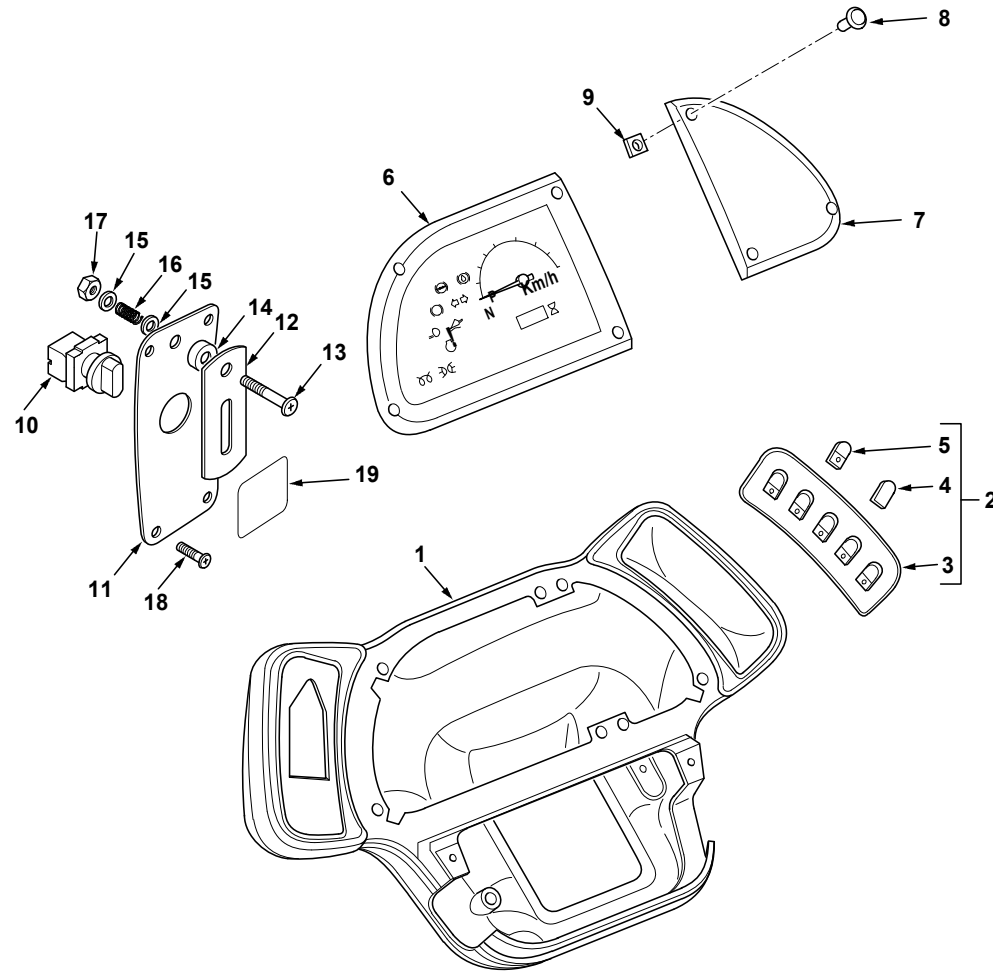
C-55006-02.1-A



Item	Part No.	Qty.	English	French	German	Spanish	Remarks
1	6106473M91	1	Front Console Lower-Cab	Console	Konsole	Consola	55006c01.1 1
2	6106671M1	1	Front Console Lower-Cab	Console	Konsole	Consola	
3	6106812M2	1	Cover - Console Pocket (Grey)	Cache	Abdeckung	Tapa	
4	3521303M3	4	Fastener, Plastic - Gear Lever Gaiter	Agrafe	Halteklammer	Eganche	
5	6108289M1	1	Pin-Rops Console Rail	Rail	Schiene	Carril	
6	3000115X1	1	Clip-Spring	Segment D'Arrêt	Sicherungsring	Circlip	
7	3000115X1	1	Clip-Spring	Segment D'Arrêt	Sicherungsring	Circlip	
8	3516231M1	5	Louver Small	Trappe Aération	Luftschlitz	Difusor	
9	3522735M4	10	Screw M3 .5 X 20	Vis Autotaraud	Schneidschraube	Tornillo	

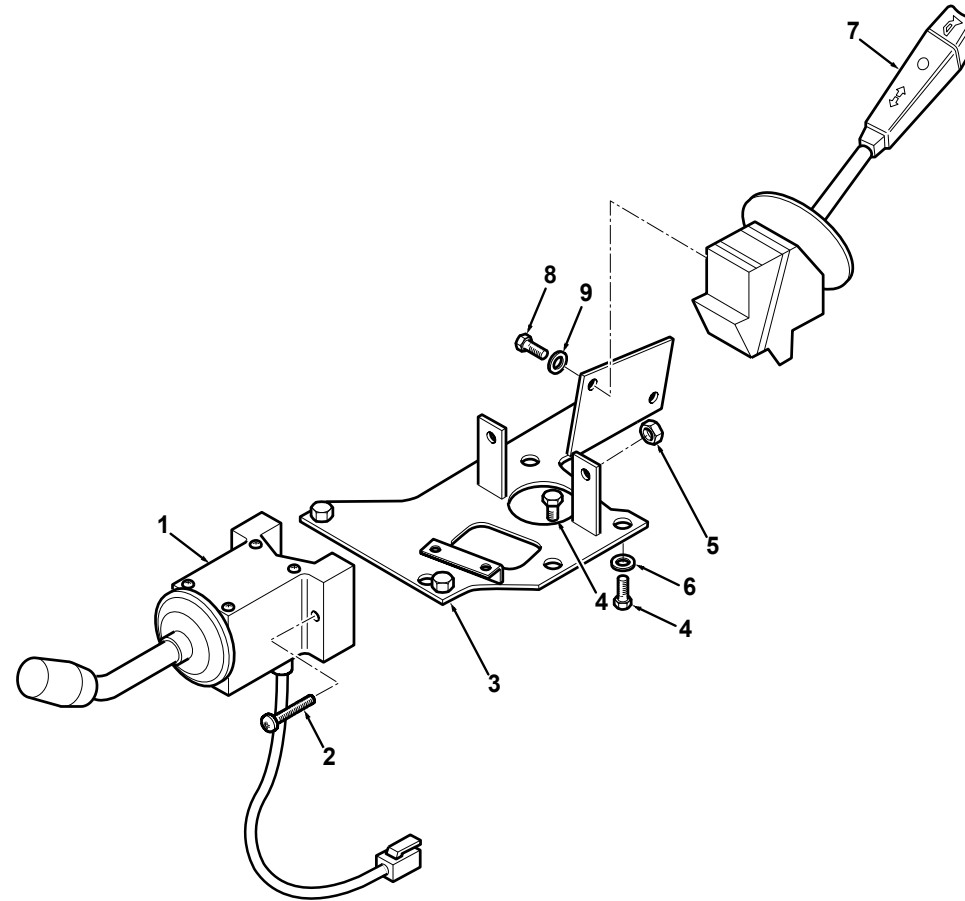


C-55006-03.1-A



Item	Part No.	Qty.	English	French	German	Spanish	Remarks
1	6099537M1	1	Front Console Upper Cab (Grey)	Console	Konsole	Consola	55006c01.1 4
2	6109507M91	1	Switchpack RH - Front Console	Paquet De Commut.	Schaltsatz	Paquete De Cambio	
3	#SWITCHPACK	1	Switchpack	Switchpack	Switchpack	Switchpack	Ref. 2
4	6101778M1	3	Cover-Switch W/Out Legend (Grey)	Cache	Abdeckung	Tapa	
5	6101777M91	2	Cover Assy. - Switch Operating	Cache	Abdeckung	Tapa	
6	6102305M93	1	Panel, Instrument - Front, Less Speedo	Tableau De Bord	Brett, Armaturen	Tablero Instrumentos	
7	6101807M1	1	Panel, Top R/H - Front Console (Grey)	Couvercle	Abdeckblech	Tapa	
8	365915X1	7	Screw- No 6 X 16 Lg (Iso 8.8) Zinc	Vis	Schraube	Tornillo	
9	6101590M1	7	Nut "U" M4	Ecrou	Mutter	Tuerca En U	
10	3519935M91	1	4wd Switch Assy	Commutateur Ass.	Schalter Kplt	Contactar	
11	6106194M1	1	Switch Plate 4wheel Brake	Plaque	Platte	Placa	
12	6106195M2	1	Indicator 4 Wheel Brake Lever	Témoin	Anzeige	Indicador	
13	3009542X1	1	Screw Pan Hd.M6 X 45	Vis	Schraube	Tornillo	
14	3516528M1	1	Boss	Bossage	Anschweißauge	Traviesa	
15	390971X1	2	Washer M6-12-1 Zwl	Rondelle - M6	Scheibe - M6	Arandela	
16	3516529M1	1	Spring	Siège De Ressort	Federsitz	Muelle	
17	1441500X1	1	Nut M6 Z5 Nyloc	Ecrou	Flachmutter M6	Tuerca De Retención	
18	3516218M2	4	Screw S/Tapping	Vis	Schraube	Tornillo	
19	6106221M1	1	Decal-4w Brake Select Switch	Adhésif	Aufkleber	Adhesivo	

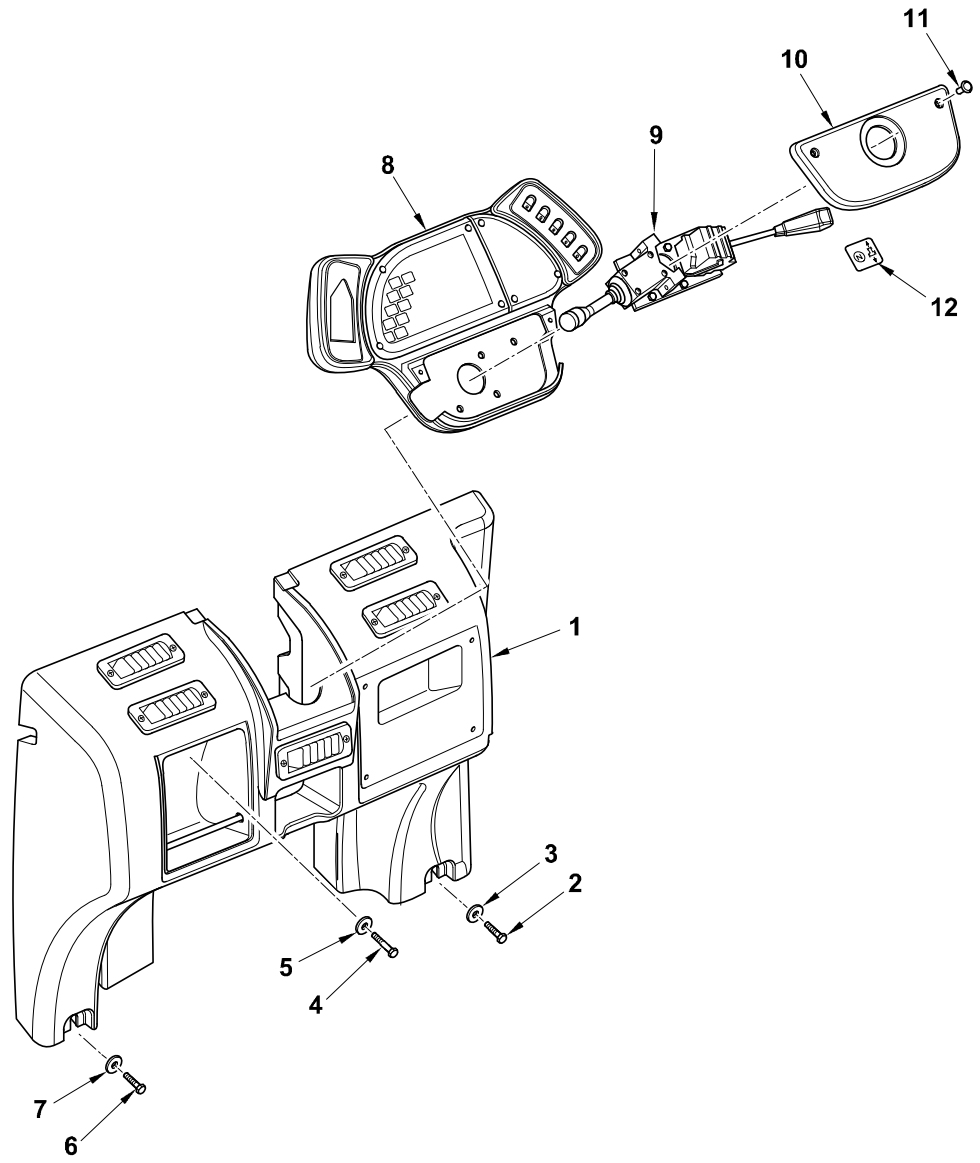
C-55006-04.1-A



Item	Part No.	Qty.	English	French	German	Spanish	Remarks
1	3519823M91	1	Switch Assy. - Forward/Reverse	Commutateur Ass.	Schalter Kplt	Conmutador	55006c01.1 2
2	3009538X1	2	Screw Pan Hd.M5 X 35	Vis	Schraube	Tornillo	
3	6107120M92	1	Bracket - Switch Mounting	Ensemble Support	Halter Kpl	Cuchara, Conj.	
4	339124X1	6	Bolt M8-16 Z5f	Goupille	Maschschrb Metr - M8	Tornillo	
5	1441494X1	2	Nut, Nyloc - M5	Ecrou Métrique	Mutter Metrisch	Tuerca De Retención	
6	390972X1	3	Washer M8-17-1 Zwl	Rondelle M8	Scheibe - M8	Arandela	
7	3516095M1	1	Switch, Indicators/Horn - Strg. Column	Commutateur	Wählschalter	Conmutador	
8	3007932X1	1	Screw Pan Hd.M5 X 12	Vis	Schraube	Tornillo	
9	3019560X1	2	Washer M5	Rondelle	Scheibe	Arandela	



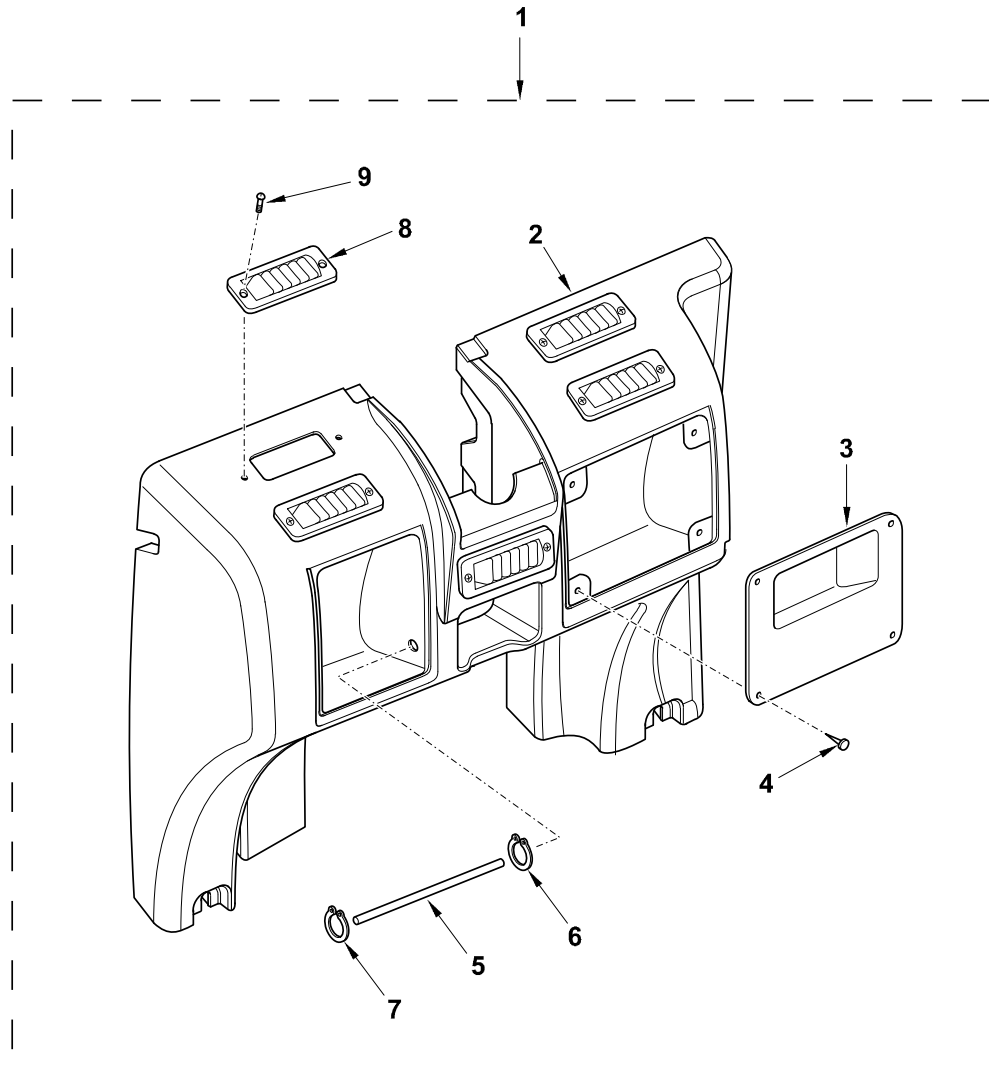
C-55011-01.1-A



Item	Part No.	Qty.	English	French	German	Spanish	Remarks
1	#CONSOLE	1	Console	Console	Console	Console	55011c02.1 1
2	339009X1	1	Bolt - M8 X 35	Boulon M8 X 35	Maschschraube M8	Tornillo	
3	6101768M1	1	Washer	Rondelle	Scheibe	Arandela	
4	339123X1	2	Bolt M8-20 Z5f	Boulon M8 X 20	Maschschraube M8	Perno	
5	6101768M1	2	Washer	Rondelle	Scheibe	Arandela	
6	339009X1	1	Bolt - M8 X 35	Boulon M8 X 35	Maschschraube M8	Tornillo	
7	6101768M1	1	Washer	Rondelle	Scheibe	Arandela	
8	#CONSOLE,	1	Console	Console	Console	Console	55011c03.1 1
9	#SWITCH, SELECTOR	1	Switch, Selector	Switch, Selector	Switch, Selector	Switch, Selector	55011c04.1 1
10	6099518M1	1	Cover - Front Console Upper (Grey)	Cache	Abdeckung	Tapa	
11	6101591M1	2	Fastener - "Scrivet"	Rivet	Niete	Remache	
12	6101914M1	1	Decal - Forward / Reverse	Adhésif	Aufkleber	Adhesivo	



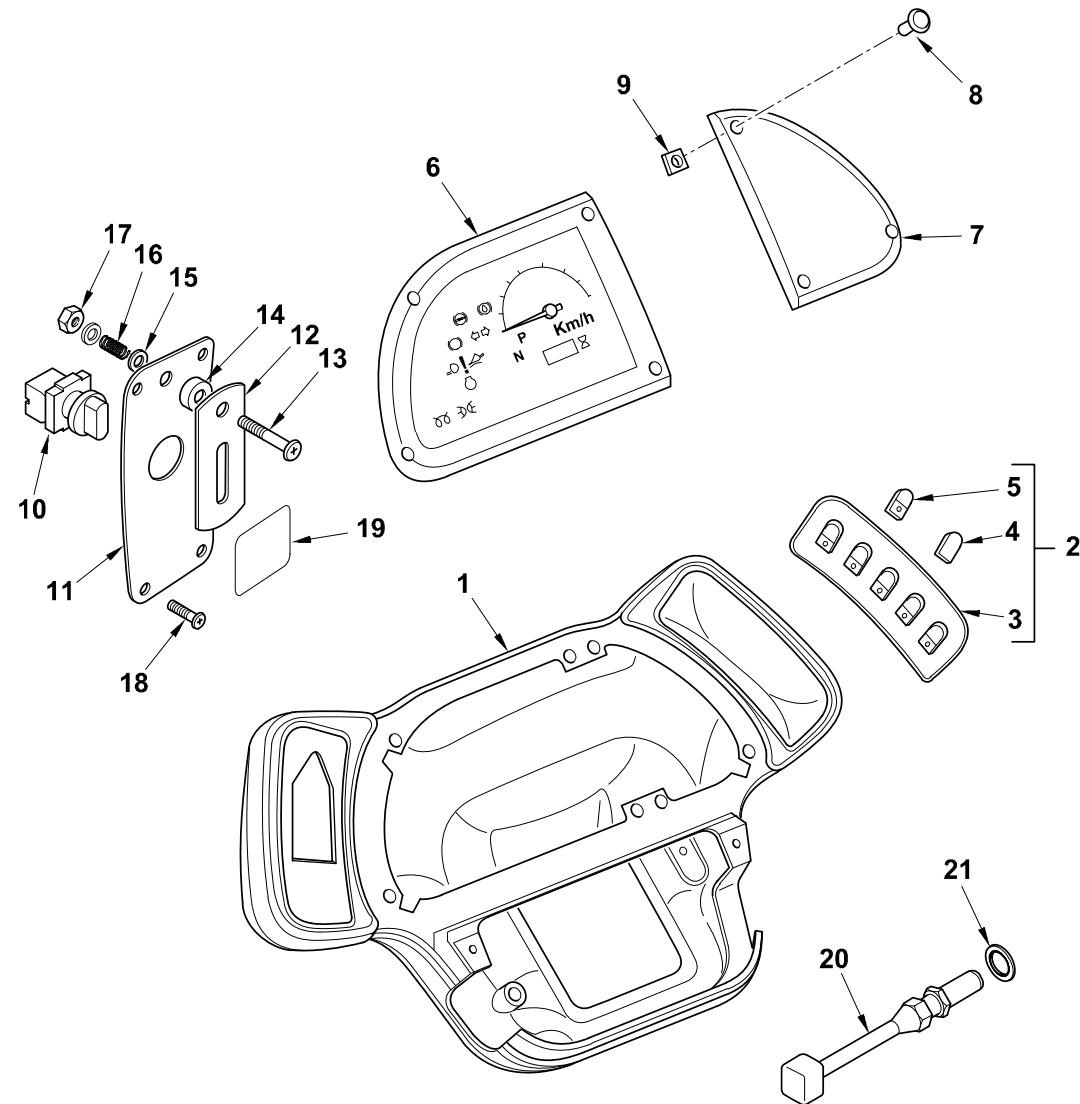
C-55011-02.1-A



Item	Part No.	Qty.	English	French	German	Spanish	Remarks
1	6106473M91	1	Front Console Lower-Cab	Console	Konsole	Consola	55011c01.1 1
2	6106671M1	1	Front Console Lower-Cab	Console	Konsole	Consola	
3	6106812M2	1	Cover - Console Pocket (Grey)	Cache	Abdeckung	Tapa	
4	3521303M3	4	Fastener, Plastic - Gear Lever Gaiter	Agrafe	Halteklammer	Eganche	
5	6108289M1	1	Pin-Rops Console Rail	Rail	Schiene	Carril	
6	3000115X1	1	Clip-Spring	Segment D'Arrêt	Sicherungsring	Circlip	
7	3000115X1	1	Clip-Spring	Segment D'Arrêt	Sicherungsring	Circlip	
8	3516231M1	5	Louver Small	Trappe Aération	Luftschlitz	Difusor	
9	3522735M4	10	Screw M3 .5 X 20	Vis Autotaraud	Schneidschraube	Tornillo	



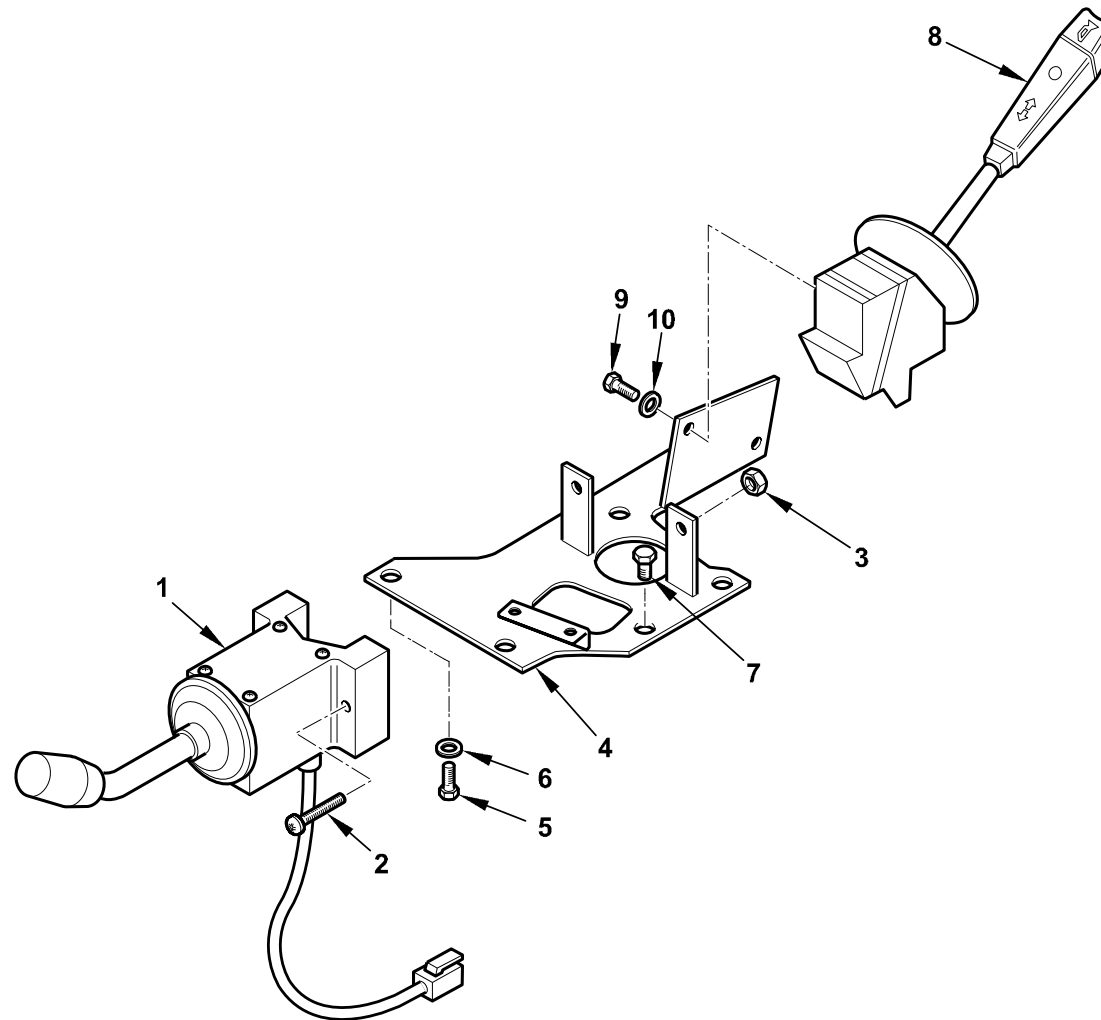
C-55011-03.1-A



Item	Part No.	Qty.	English	French	German	Spanish	Remarks
1	6099537M1	1	Front Console Upper Cab (Grey)	Console	Konsole	Consola	55011c01.1 8
2	6109507M91	1	Switchpack RH - Front Console	Paquet De Commut.	Schaltsatz	Paquete De Cambio	
3	#SWITCHPACK	1	Switchpack	Switchpack	Switchpack	Switchpack	Ref. 2
4	6101778M1	3	Cover-Switch W/Out Legend (Grey)	Cache	Abdeckung	Tapa	
5	6101777M91	2	Cover Assy. - Switch Operating	Cache	Abdeckung	Tapa	
6	6111060M91	1	Instr Pack With Speedo Console - Front	Groupe D'inst. De Bo	Instrumentensatz	Tablero Instrumentos	
7	6101807M1	1	Panel, Top R/H - Front Console (Grey)	Couvercle	Abdeckblech	Tapa	
8	365915X1	7	Screw- No 6 X 16 Lg (Iso 8.8) Zinc	Vis	Schraube	Tornillo	
9	6101590M1	7	Nut "U" M4	Ecrou	Mutter	Tuerca En U	
10	3519935M91	1	4wd Switch Assy	Commutateur Ass.	Schalter Kplt	Contactar	
11	6106194M1	1	Switch Plate 4wheel Brake	Plaque	Platte	Placa	
12	6106195M2	1	Indicator 4 Wheel Brake Lever	Témoin	Anzeige	Indicador	
13	3009542X1	1	Screw Pan Hd.M6 X 45	Vis	Schraube	Tornillo	
14	3516528M1	1	Boss	Bossage	Anschweißauge	Traviesa	
15	390971X1	2	Washer M6-12-1 Zwl	Rondelle - M6	Scheibe - M6	Arandela	
16	3516529M1	1	Spring	Siège De Ressort	Federsitz	Muelle	
17	1441500X1	1	Nut M6 Z5 Nyloc	Ecrou	Flachmutter M6	Tuerca De Retención	
18	3516218M2	4	Screw S/Tapping	Vis	Schraube	Tornillo	
19	6106221M1	1	Decal-4w Brake Select Switch	Adhésif	Aufkleber	Adhesivo	
20	6110926M91	1	Speed Sensor Carraro Ref: 9471260	Capteur Vitesse	Sensor	Captador	
21	N612	1	Seal Bonded - 1/2" Bsb	Joint	Dichtung	Junta	



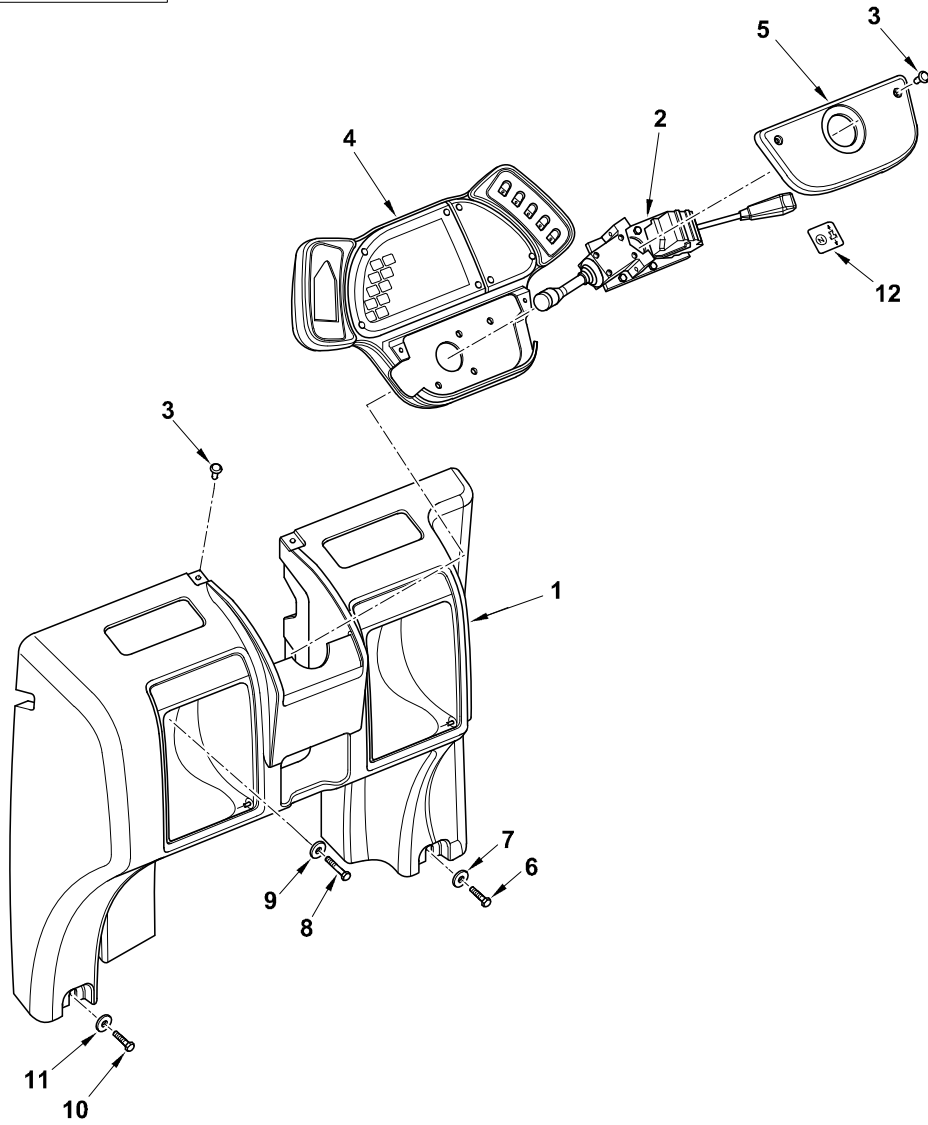
C-55011-04.1-A



Item	Part No.	Qty.	English	French	German	Spanish	Remarks
1	3519823M91	1	Switch Assy. - Forward/Reverse	Commutateur Ass.	Schalter Kplt	Conmutador	55011c01.1 9
2	3009538X1	2	Screw Pan Hd.M5 X 35	Vis	Schraube	Tornillo	
3	1441494X1	2	Nut, Nyloc - M5	Ecrou Métrique	Mutter Metrisch	Tuerca De Retención	
4	6107120M92	1	Bracket - Switch Mounting	Ensemble Support	Halter Kpl	Cuchara, Conj.	
5	339124X1	3	Bolt M8-16 Z5f	Goupille	Maschschrb Metr - M8	Tornillo	
6	390972X1	3	Washer M8-17-1 Zwl	Rondelle M8	Scheibe - M8	Arandela	
7	339124X1	3	Bolt M8-16 Z5f	Goupille	Maschschrb Metr - M8	Tornillo	
8	3516095M1	1	Switch, Indicators/Horn - Strg. Column	Commutateur	Wählschalter	Conmutador	
9	3007932X1	2	Screw Pan Hd.M5 X 12	Vis	Schraube	Tornillo	
10	3019560X1	2	Washer M5	Rondelle	Scheibe	Arandela	



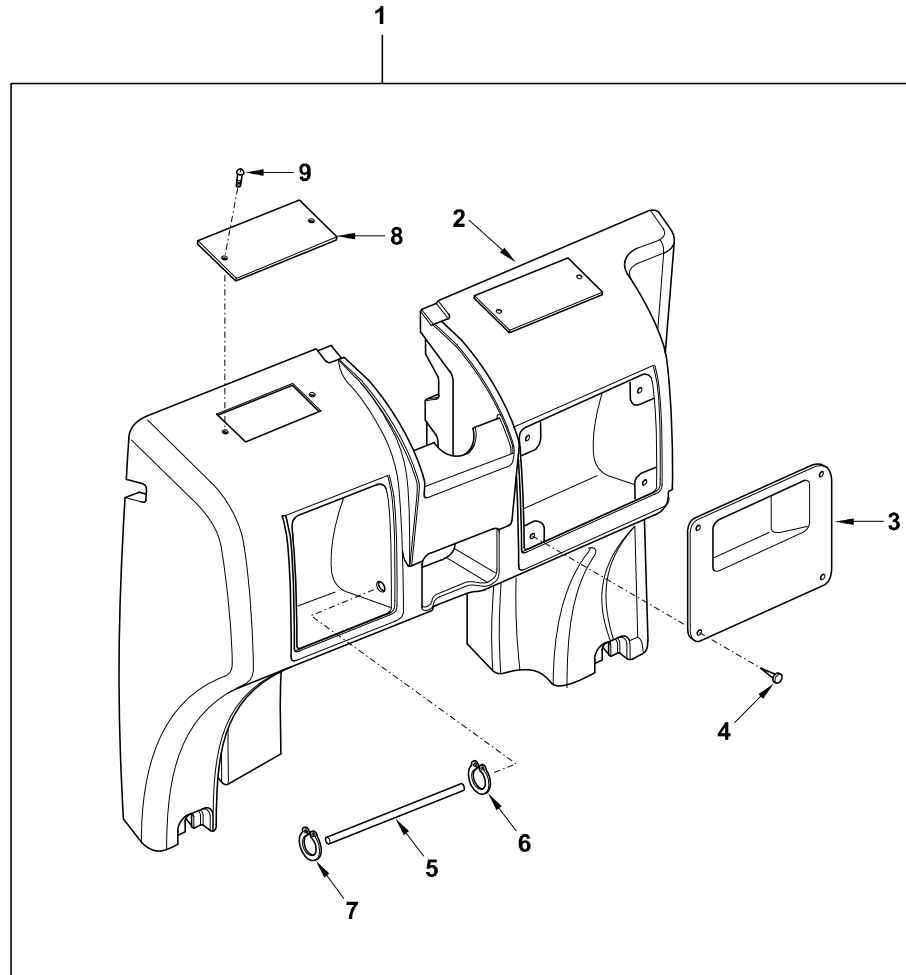
C-55021-01.1-A



Item	Part No.	Qty.	English	French	German	Spanish	Remarks
1	T101124	1	Console Assy Front Lower ROPS (Black)	Console	Konsole	Consola	See 55021c02.1
2	#SWITCH, SELECTOR	1	Switch, Selector	Switch, Selector	Switch, Selector	Switch, Selector	See 55021c04.1
3	6101591M1	4	Fastener - "Scrivet"	Rivet	Niete	Remache	
4	#PANEL, INSTRUMENT	1	Panel, Instrument	Panel, Instrument	Panel, Instrument	Panel, Instrument	See 55021c03.1
5	T101130	1	Cover Console Front Upper (Black)	Couvercle	Deckel	Cubierta	
6	339009X1	1	Bolt - M8 X 35	Boulon M8 X 35	Maschschraube M8	Tornillo	
7	6101768M1	1	Washer	Rondelle	Scheibe	Arandela	
8	339123X1	2	Bolt M8-20 Z5f	Boulon M8 X 20	Maschschraube M8	Perno	
9	6101768M1	2	Washer	Rondelle	Scheibe	Arandela	
10	339009X1	1	Bolt - M8 X 35	Boulon M8 X 35	Maschschraube M8	Tornillo	
11	6101768M1	1	Washer	Rondelle	Scheibe	Arandela	
12	6101914M1	1	Decal - Forward / Reverse	Adhésif	Aufkleber	Adhesivo	



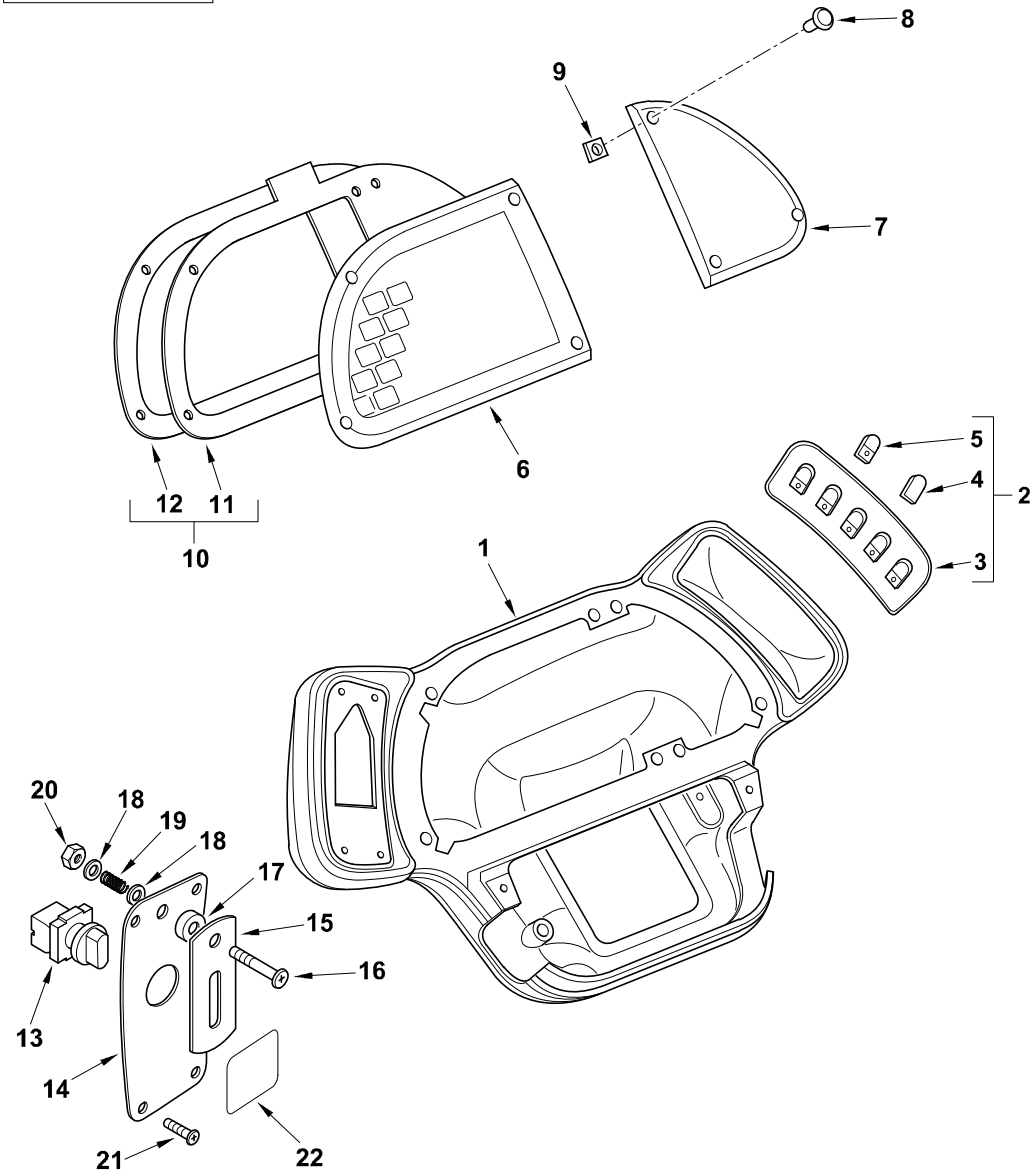
C-55021-02.1-A



Item	Part No.	Qty.	English	French	German	Spanish	Remarks
1	T101124	1	Console Assy Front Lower ROPS (Black)	Console	Konsole	Consola	
2	T101125	1	Console Front Lower ROPS	Console Front Lower ROPS	Console Front Lower ROPS	Console Front Lower ROPS	
3	T101126	1	Cover (Black)	Couvercle	Deckel	Cubierta	
4	3521303M3	4	Fastener, Plastic - Gear Lever Gaiter	Agrafe	Halteklammer	Enganche	
5	6108289M1	1	Pin-Rops Console Rail	Rail	Schiene	Carril	
6	3000115X1	1	Clip-Spring	Segment D'Arrêt	Sicherungsring	Circlip	
7	3000115X1	1	Clip-Spring	Segment D'Arrêt	Sicherungsring	Circlip	
8	6108290M1	2	Cover, Blanking - Heater Vents, ROPS	Cache	Abdeckung	Placa	
9	3522735M4	4	Screw M3 .5 X 20	Vis Autotaraud	Schneidschraube	Tornillo	



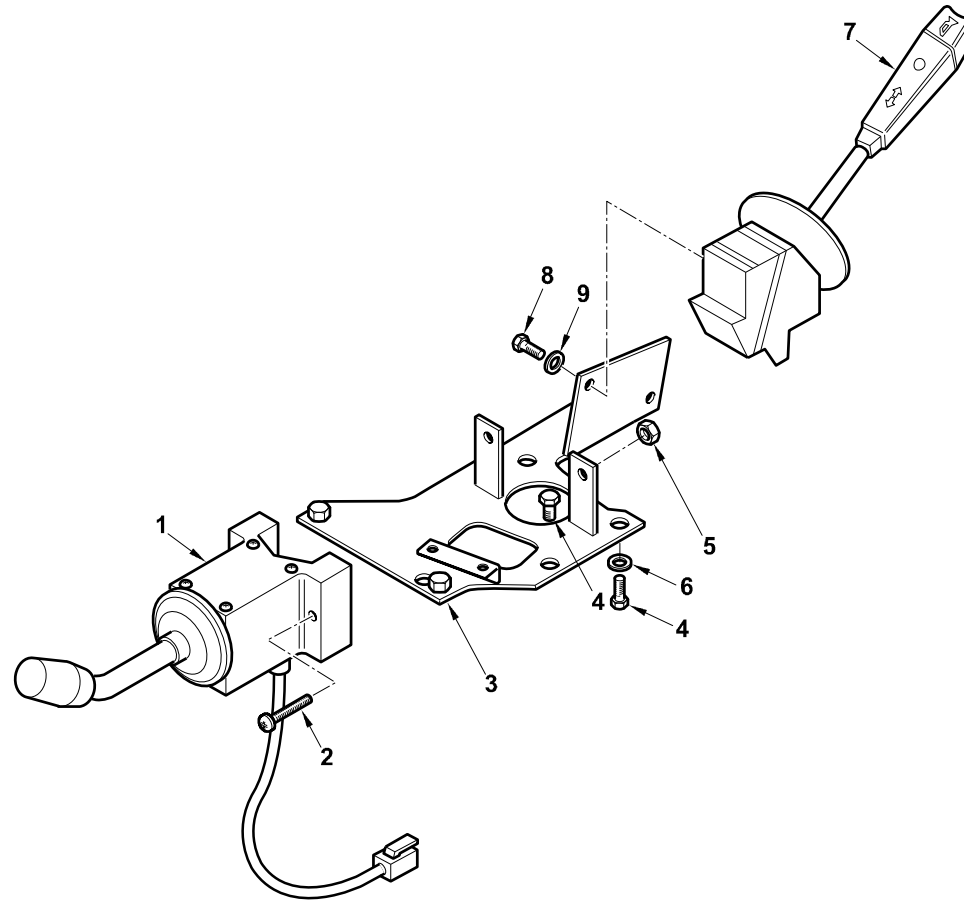
C-55021-03.1-A



Item	Part No.	Qty.	English	French	German	Spanish	Remarks
1	T101129	1	Console - Front Upper (Black)	Console	Konsole	Consola	
2	T101193	1	Switch Pack - RH - Front Console	Paquet De Commut.	Schaltsatz	Paquete De Cambio	
3	#SWITCHPACK	1	Switchpack	Switchpack	Switchpack	Switchpack	Ref. 2
4	T101131	3	Switch Blank (Black)	Couvercle	Deckel	Cubierta	
5	6101777M91	2	Cover Assy. - Switch Operating	Cache	Abdeckung	Tapa	
6	T101133	1	Instrument Panel - Less Speedo (Black Frame)	Table De Bord	Brett, Armaturen	Tablero Instrumentos	
7	T101135	1	Auxilliary Panel (Black)	Panneau	Verklech	Panel	
8	6111375M1	7	Screw - Panel No.6 X 25 Lg	Vis	Schraube	Tornillo	
9	6101590M1	7	Nut "U" M4	Ecrou	Mutter	Tuerca En U	
10	6102824M91	1	Plate-Mounting	Plaque De Fermeture	Verschlussplatte	Placa De Cierre	
11	#PLATE	1	Plate	Plaque	Platte	Plato	Ref. 10
12	6102609M1	1	Gasket	Joint	Dichtring	Empaquetadura	
13	3519935M91	1	4wd Switch Assy	Commutateur Ass.	Schalter Kplt	Contactar	
14	6106194M1	1	Switch Plate 4wheel Brake	Plaque	Platte	Placa	
15	6106195M2	1	Indicator 4 Wheel Brake Lever	Témoin	Anzeige	Indicador	
16	3009542X1	1	Screw Pan Hd.M6 X 45	Vis	Schraube	Tornillo	
17	3516528M1	1	Boss	Bossage	Anschweißauge	Traviesa	
18	390971X1	2	Washer M6-12-1 Zwl	Rondelle - M6	Scheibe - M6	Arandela	
19	3516529M1	1	Spring	Siège De Ressort	Federsitz	Muelle	
20	1441500X1	1	Nut M6 Z5 Nyloc	Ecrou	Flachmutter M6	Tuerca De Retención	
21	3516218M2	4	Screw S/Tapping	Vis	Schraube	Tornillo	
22	6106221M1	1	Decal-4w Brake Select Switch	Adhésif	Aufkleber	Adhesivo	



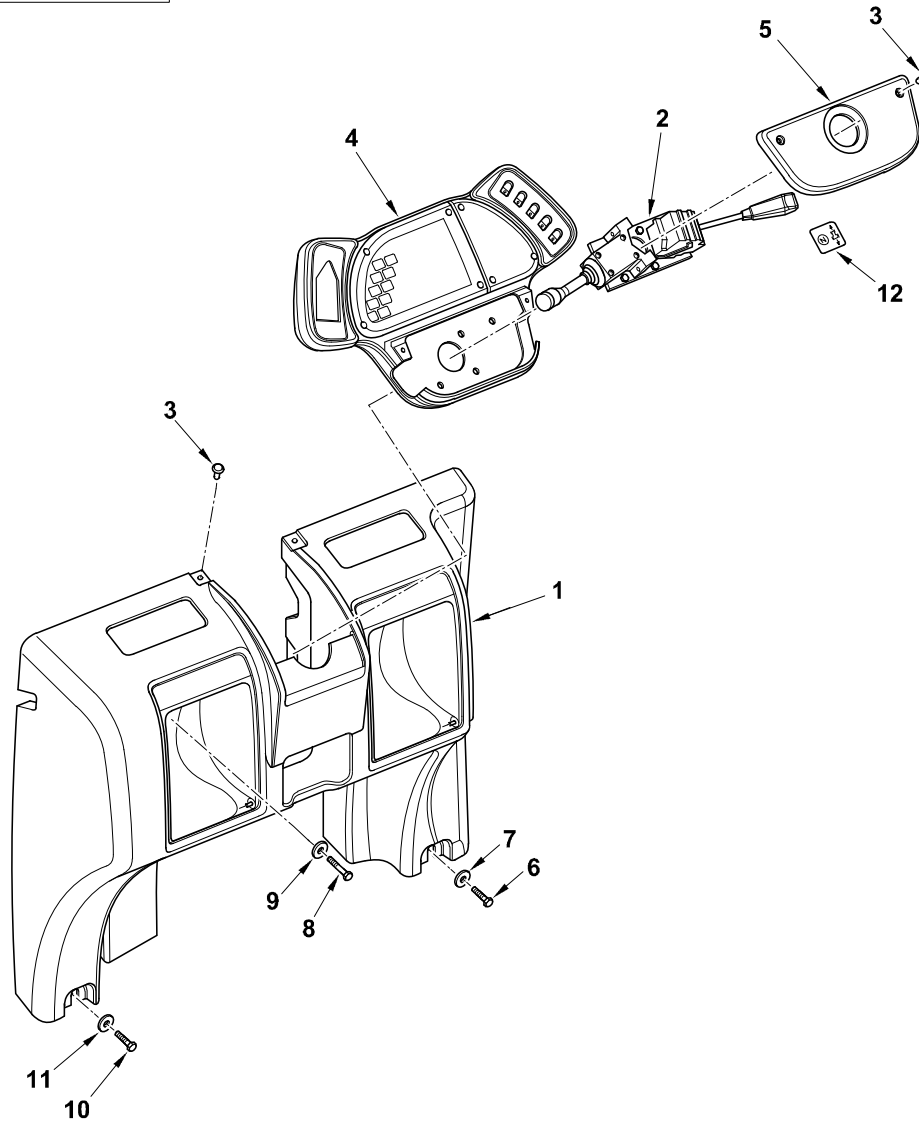
C-55021-04.1-A



Item	Part No.	Qty.	English	French	German	Spanish	Remarks
1	3519823M91	1	Switch Assy. - Forward/Reverse	Commutateur Ass.	Schalter Kplt	Conmutador	
2	3009538X1	2	Screw Pan Hd.M5 X 35	Vis	Schraube	Tornillo	
3	6107120M92	1	Bracket - Switch Mounting	Ensemble Support	Halter Kpl	Cuchara, Conj.	
4	339124X1	6	Bolt M8-16 Z5f	Goupille	Maschschrb Metr - M8	Tornillo	
5	1441494X1	2	Nut, Nyloc - M5	Ecrou Métrique	Mutter Metrisch	Tuerca De Retención	
6	390972X1	3	Washer M8-17-1 Zwl	Rondelle M8	Scheibe - M8	Arandela	
7	3516095M1	1	Switch, Indicators/Horn - Strg. Column	Commutateur	Wählschalter	Conmutador	
8	3007932X1	1	Screw Pan Hd.M5 X 12	Vis	Schraube	Tornillo	
9	3019560X1	2	Washer M5	Rondelle	Scheibe	Arandela	

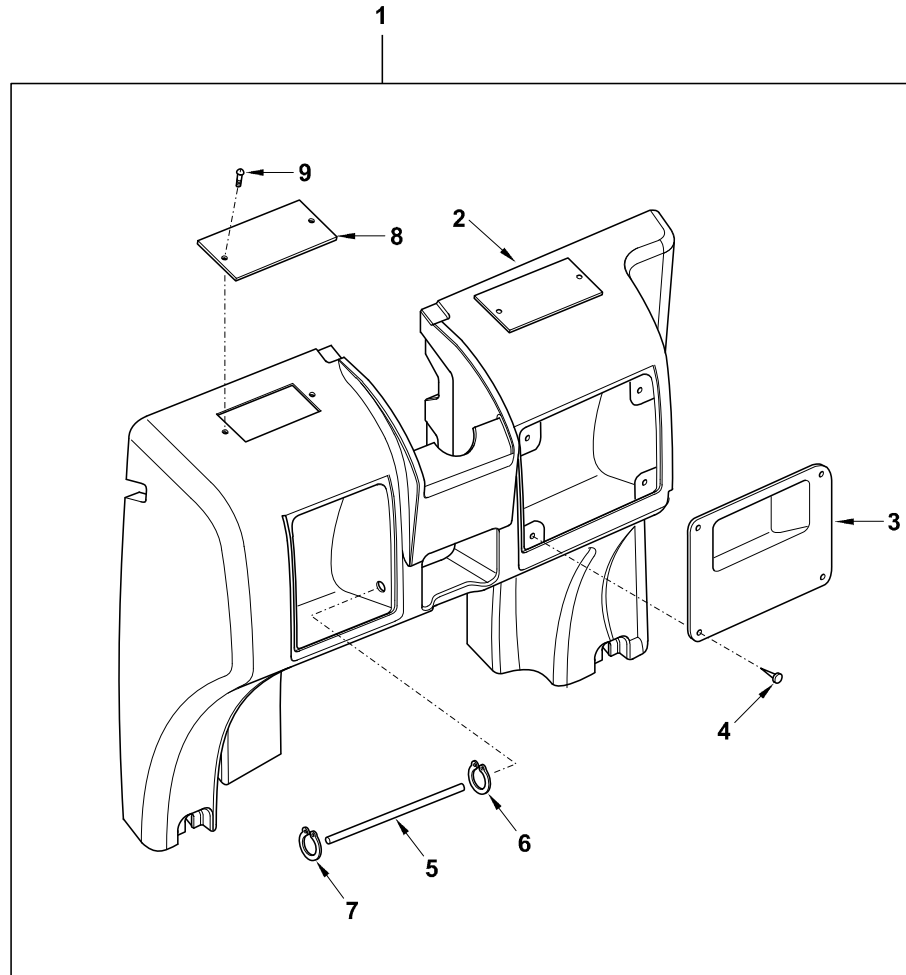


C-55020-01.1-A



Item	Part No.	Qty.	English	French	German	Spanish	Remarks
1	T101124	1	Console Assy Front Lower ROPS (Black)	Console	Konsole	Consola	See 55020c02.1
2	#SWITCH, SELECTOR	1	Switch, Selector	Switch, Selector	Switch, Selector	Switch, Selector	See 55020c04.1
3	6101591M1	4	Fastener - "Scrivet"	Rivet	Niete	Remache	
4	#PANEL, INSTRUMENT	1	Panel, Instrument	Panel, Instrument	Panel, Instrument	Panel, Instrument	See 55020c03.1
5	T101130	1	Cover Console Front Upper (Black)	Couvercle	Deckel	Cubierta	
6	339009X1	1	Bolt - M8 X 35	Boulon M8 X 35	Maschschraube M8	Tornillo	
7	6101768M1	1	Washer	Rondelle	Scheibe	Arandela	
8	339123X1	2	Bolt M8-20 Z5f	Boulon M8 X 20	Maschschraube M8	Perno	
9	6101768M1	2	Washer	Rondelle	Scheibe	Arandela	
10	339009X1	1	Bolt - M8 X 35	Boulon M8 X 35	Maschschraube M8	Tornillo	
11	6101768M1	1	Washer	Rondelle	Scheibe	Arandela	
12	6101914M1	1	Decal - Forward / Reverse	Adhésif	Aufkleber	Adhesivo	

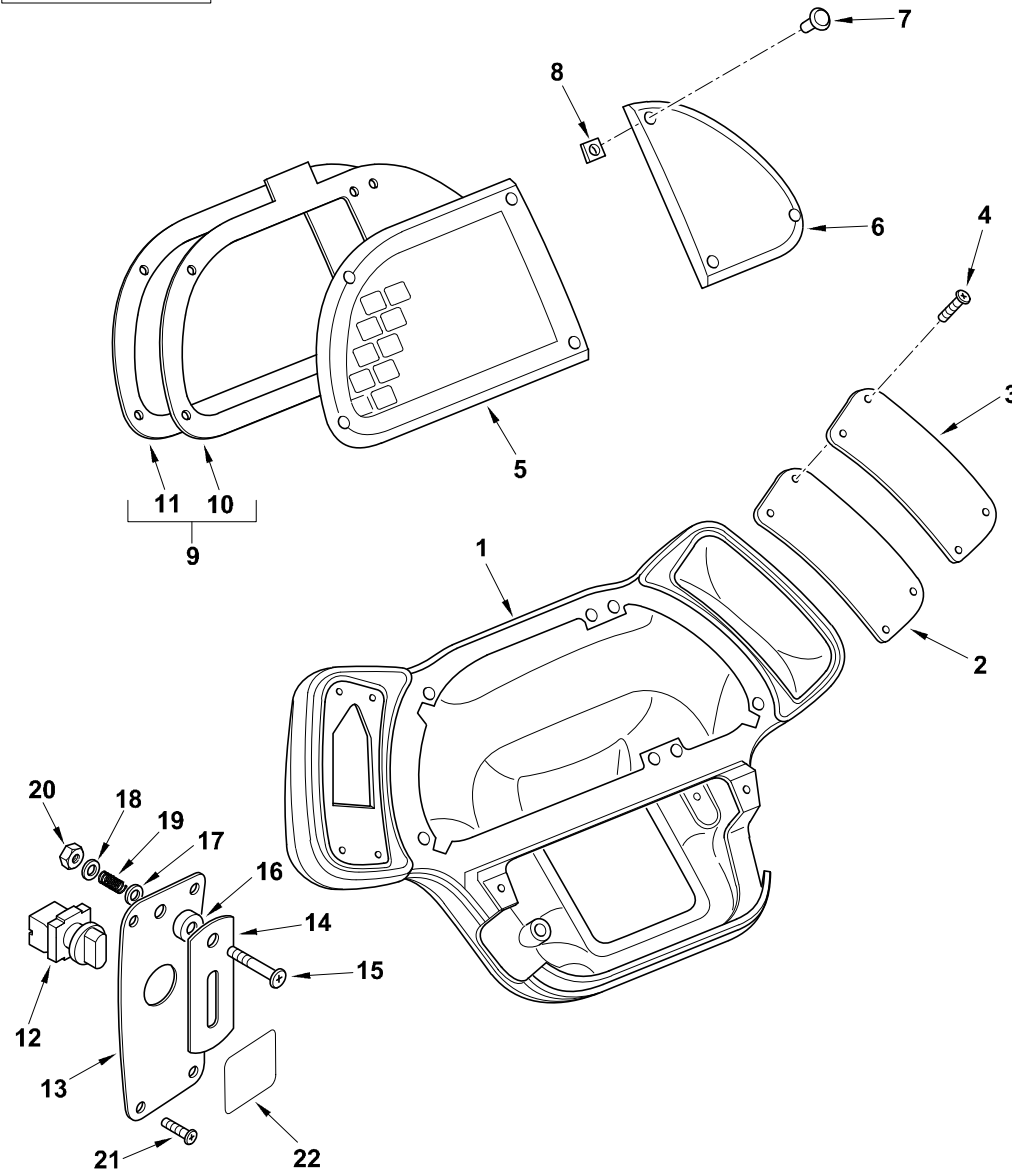
C-55020-02.1-A



Item	Part No.	Qty.	English	French	German	Spanish	Remarks
1	T101124	1	Console Assy Front Lower ROPS (Black)	Console	Konsole	Consola	
2	T101125	1	Console Front Lower ROPS	Console Front Lower ROPS	Console Front Lower ROPS	Console Front Lower ROPS	
3	T101126	1	Cover (Black)	Couvercle	Deckel	Cubierta	
4	3521303M3	4	Fastener, Plastic - Gear Lever Gaiter	Agrafe	Halteklammer	Enganche	
5	6108289M1	1	Pin-Rops Console Rail	Rail	Schiene	Carril	
6	3000115X1	1	Clip-Spring	Segment D'Arrêt	Sicherungsring	Circlip	
7	3000115X1	1	Clip-Spring	Segment D'Arrêt	Sicherungsring	Circlip	
8	6108290M1	2	Cover, Blanking - Heater Vents, ROPS	Cache	Abdeckung	Placa	
9	3522735M4	4	Screw M3 .5 X 20	Vis Autotaraud	Schneidschraube	Tornillo	



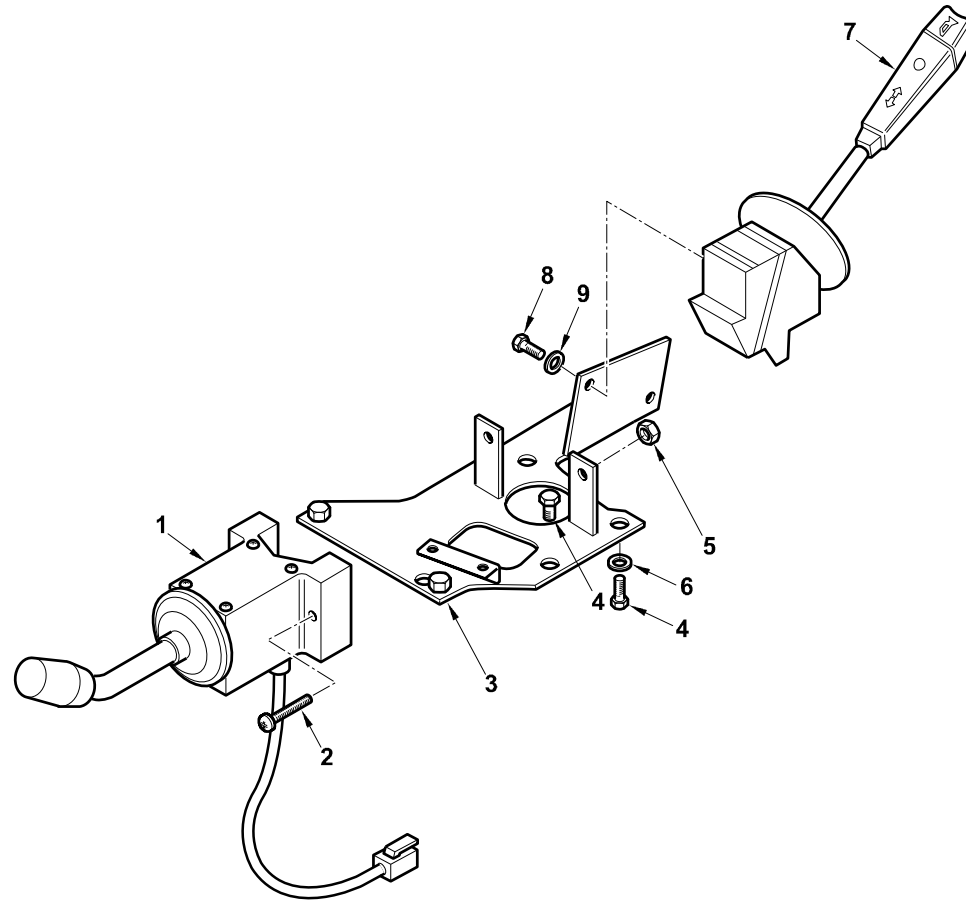
C-55020-03.1-A



Item	Part No.	Qty.	English	French	German	Spanish	Remarks
1	T101129	1	Console - Front Upper (Black)	Console	Konsole	Consola	
2	6109902M1	1	Panel Blank - Hole 3mm Dia.	Panneau	Deckblech	Panel	
3	6109915M1	1	Panel Blank - Hole 4mm Dia.	Panneau	Deckblech	Panel	
4	3516218M2	4	Screw S/Tapping	Vis	Schraube	Tornillo	
5	T101133	1	Instrument Panel - Less Speedo (Black Frame)	Table De Bord	Brett, Armaturen	Tablero Instrumentos	
6	T101135	1	Auxilliary Panel (Black)	Panneau	Verklech	Panel	
7	6111375M1	7	Screw - Panel No.6 X 25 Lg	Vis	Schraube	Tornillo	
8	6101590M1	7	Nut "U" M4	Ecrou	Mutter	Tuerca En U	
9	6102824M91	1	Plate-Mounting	Plaque De Fermeture	Verschlussplatte	Placa De Cierre	
10	#PLATE	1	Plate	Plaque	Platte	Plato	Ref. 9
11	6102609M1	1	Gasket	Joint	Dichtring	Empaquetadura	
12	3519935M91	1	4wd Switch Assy	Commutateur Ass.	Schalter Kplt	Contactar	
13	6106194M1	1	Switch Plate 4wheel Brake	Plaque	Platte	Placa	
14	6106195M2	1	Indicator 4 Wheel Brake Lever	Témoin	Anzeige	Indicador	
15	3009542X1	1	Screw Pan Hd.M6 X 45	Vis	Schraube	Tornillo	
16	3516528M1	1	Boss	Bossage	Anschweißauge	Traviesa	
17	3516528M1	2	Boss	Bossage	Anschweißauge	Traviesa	
18	390971X1	1	Washer M6-12-1 Zwl	Rondelle - M6	Scheibe - M6	Arandela	
19	3516529M1	1	Spring	Siège De Ressort	Federsitz	Muelle	
20	1441500X1	4	Nut M6 Z5 Nyloc	Ecrou	Flachmutter M6	Tuerca De Retención	
21	3516218M2	1	Screw S/Tapping	Vis	Schraube	Tornillo	
22	6106221M1	4	Decal-4w Brake Select Switch	Adhésif	Aufkleber	Adhesivo	



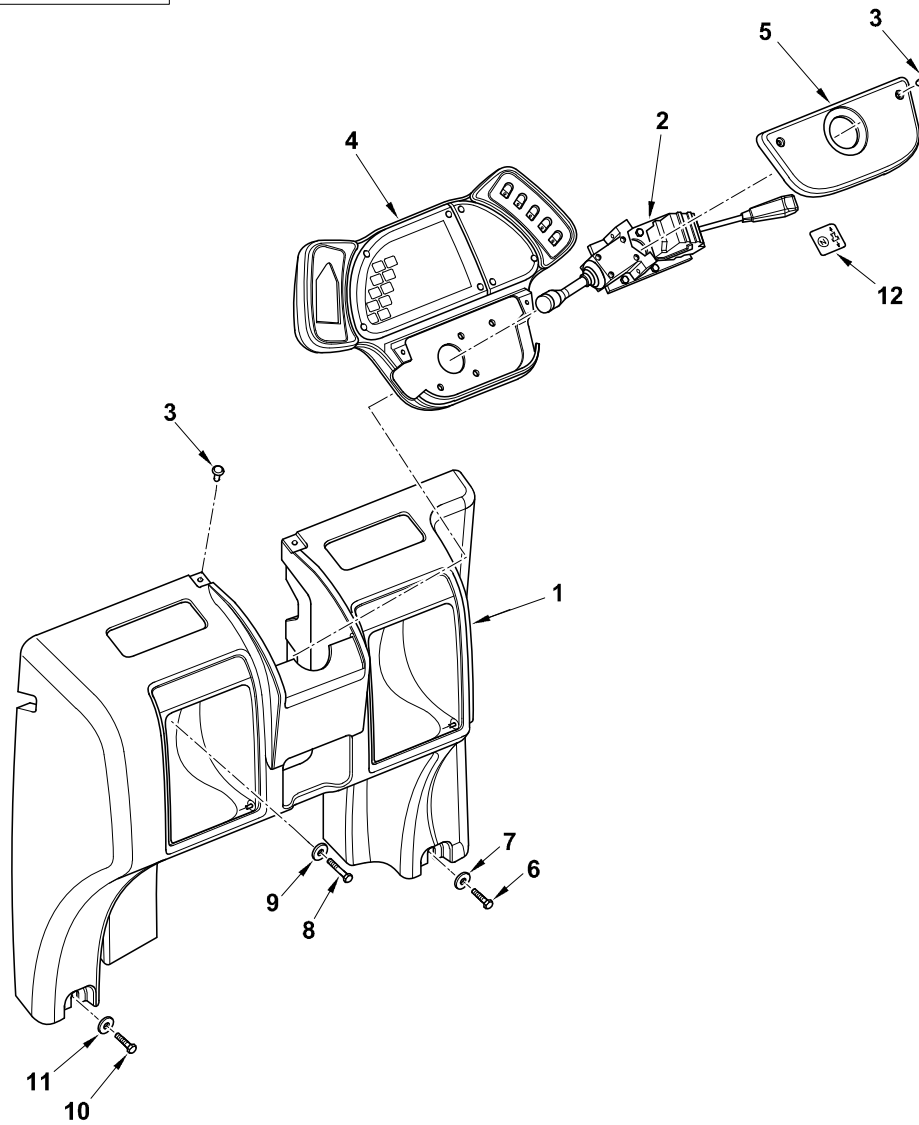
C-55020-04.1-A



Item	Part No.	Qty.	English	French	German	Spanish	Remarks
1	3519823M91	1	Switch Assy. - Forward/Reverse	Commutateur Ass.	Schalter Kplt	Conmutador	
2	3009538X1	2	Screw Pan Hd.M5 X 35	Vis	Schraube	Tornillo	
3	6107120M92	1	Bracket - Switch Mounting	Ensemble Support	Halter Kpl	Cuchara, Conj.	
4	339124X1	6	Bolt M8-16 Z5f	Goupille	Maschschrb Metr - M8	Tornillo	
5	1441494X1	2	Nut, Nyloc - M5	Ecrou Métrique	Mutter Metrisch	Tuerca De Retención	
6	390972X1	3	Washer M8-17-1 Zwl	Rondelle M8	Scheibe - M8	Arandela	
7	3516095M1	1	Switch, Indicators/Horn - Strg. Column	Commutateur	Wählschalter	Conmutador	
8	3007932X1	1	Screw Pan Hd.M5 X 12	Vis	Schraube	Tornillo	
9	3019560X1	2	Washer M5	Rondelle	Scheibe	Arandela	



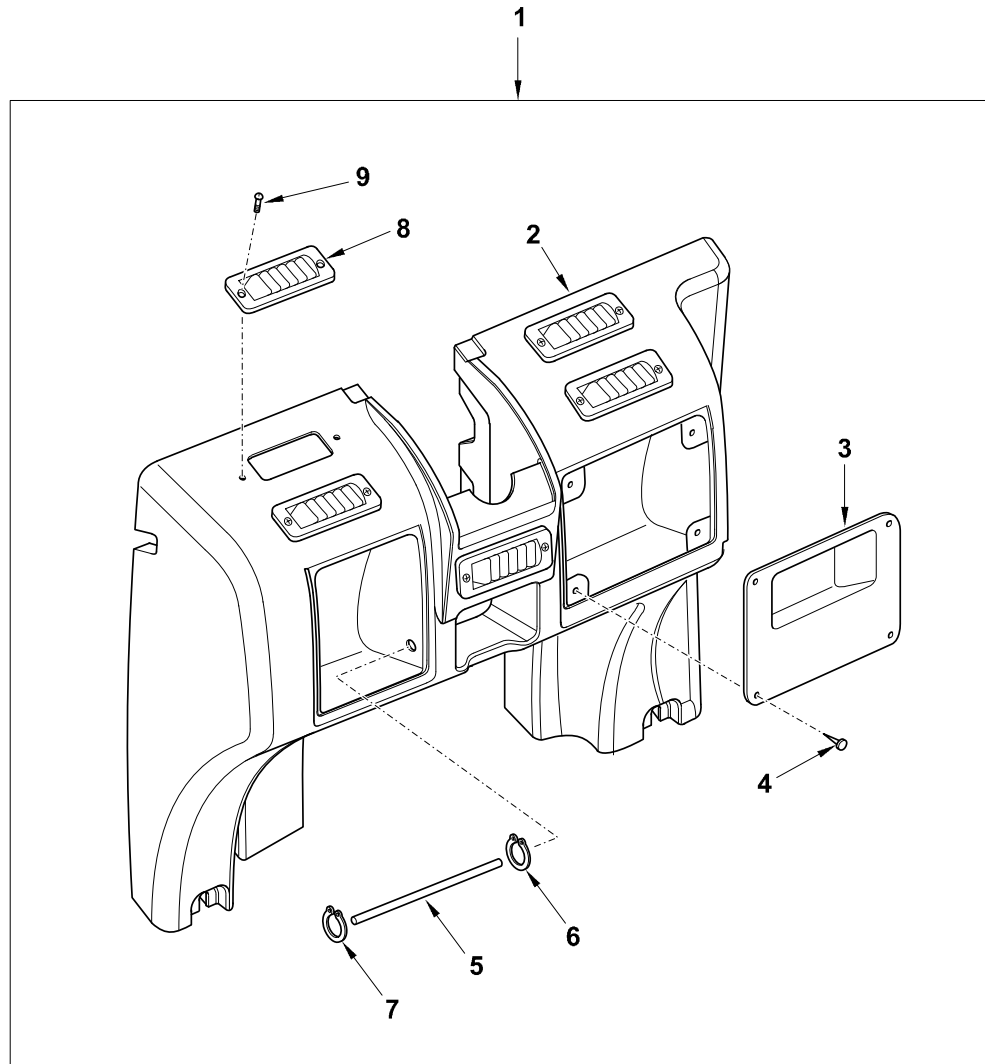
C-55022-01.1-A



Item	Part No.	Qty.	English	French	German	Spanish	Remarks
1	T101127	1	Console Assy Front Lower Cab (Black)	Console	Konsole	Consola	See 55022c02.1
2	#SWITCH, SELECTOR	1	Switch, Selector	Switch, Selector	Switch, Selector	Switch, Selector	See 55022c04.1
3	6101591M1	4	Fastener - "Scrivet"	Rivet	Niete	Remache	
4	#PANEL, INSTRUMENT	1	Panel, Instrument	Panel, Instrument	Panel, Instrument	Panel, Instrument	See 55022c03.1
5	T101130	1	Cover Console Front Upper (Black)	Couvercle	Deckel	Cubierta	
6	339009X1	1	Bolt - M8 X 35	Boulon M8 X 35	Maschschraube M8	Tornillo	
7	6101768M1	1	Washer	Rondelle	Scheibe	Arandela	
8	339123X1	2	Bolt M8-20 Z5f	Boulon M8 X 20	Maschschraube M8	Perno	
9	6101768M1	2	Washer	Rondelle	Scheibe	Arandela	
10	339009X1	1	Bolt - M8 X 35	Boulon M8 X 35	Maschschraube M8	Tornillo	
11	6101768M1	1	Washer	Rondelle	Scheibe	Arandela	
12	6101914M1	1	Decal - Forward / Reverse	Adhésif	Aufkleber	Adhesivo	



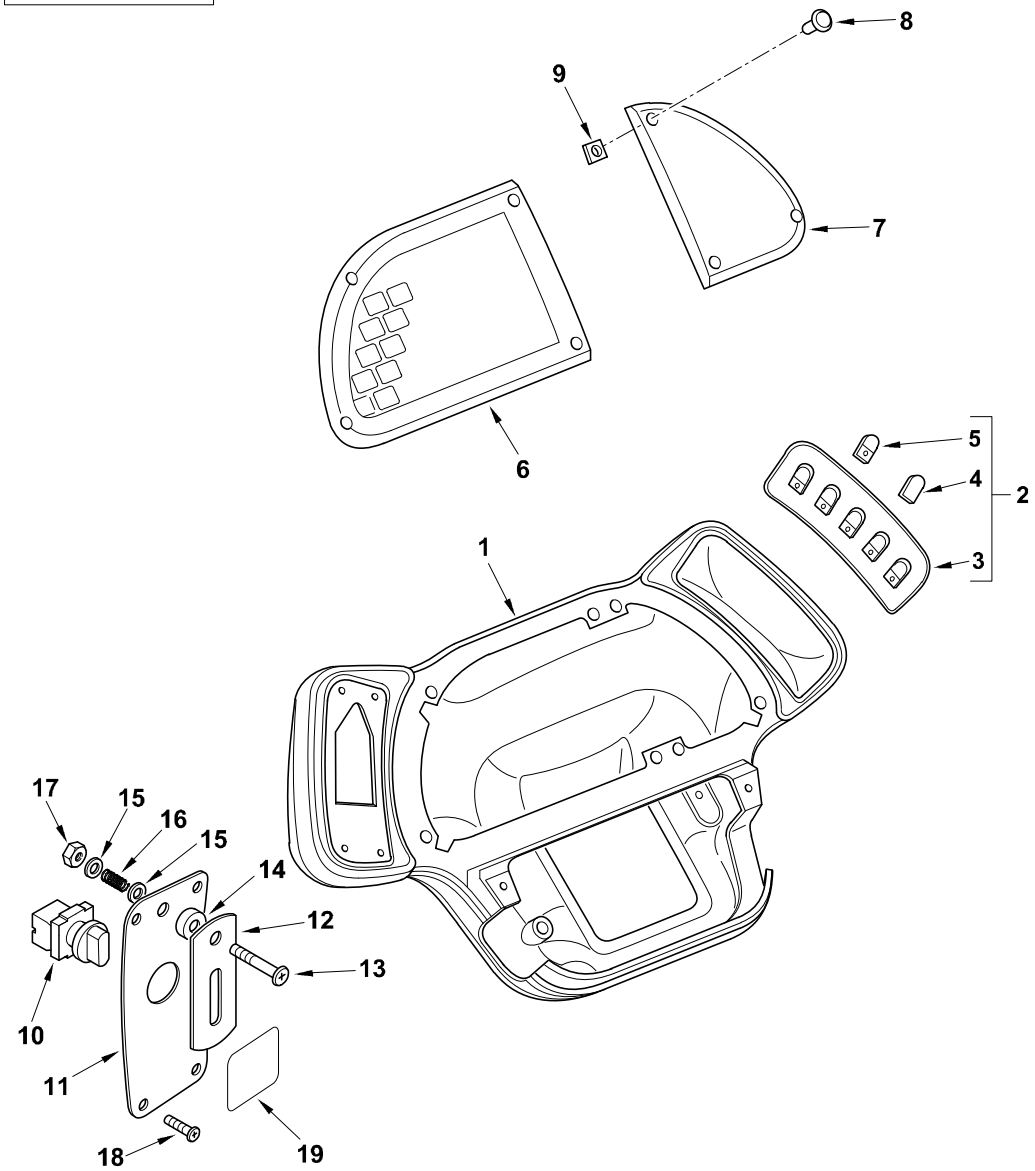
C-55022-02.1-A



Item	Part No.	Qty.	English	French	German	Spanish	Remarks
1	T101127	1	Console Assy Front Lower Cab (Black)	Console	Konsole	Consola	
2	T101128	1	Console Front Lower Cab	Console Front Lower Cab	Console Front Lower Cab	Console Front Lower Cab	
3	T101126	1	Cover (Black)	Couvercle	Deckel	Cubierta	
4	3521303M3	4	Fastener, Plastic - Gear Lever Gaiter	Agrafe	Halteklammer	Enganche	
5	6108289M1	1	Pin-Rops Console Rail	Rail	Schiene	Carril	
6	3000115X1	1	Clip-Spring	Segment D'Arrêt	Sicherungsring	Circlip	
7	3000115X1	1	Clip-Spring	Segment D'Arrêt	Sicherungsring	Circlip	
8	3516231M1	5	Louver Small	Trappe Aération	Luftschlitz	Difusor	
9	3522735M4	10	Screw M3 .5 X 20	Vis Autotaraud	Schneidschraube	Tornillo	

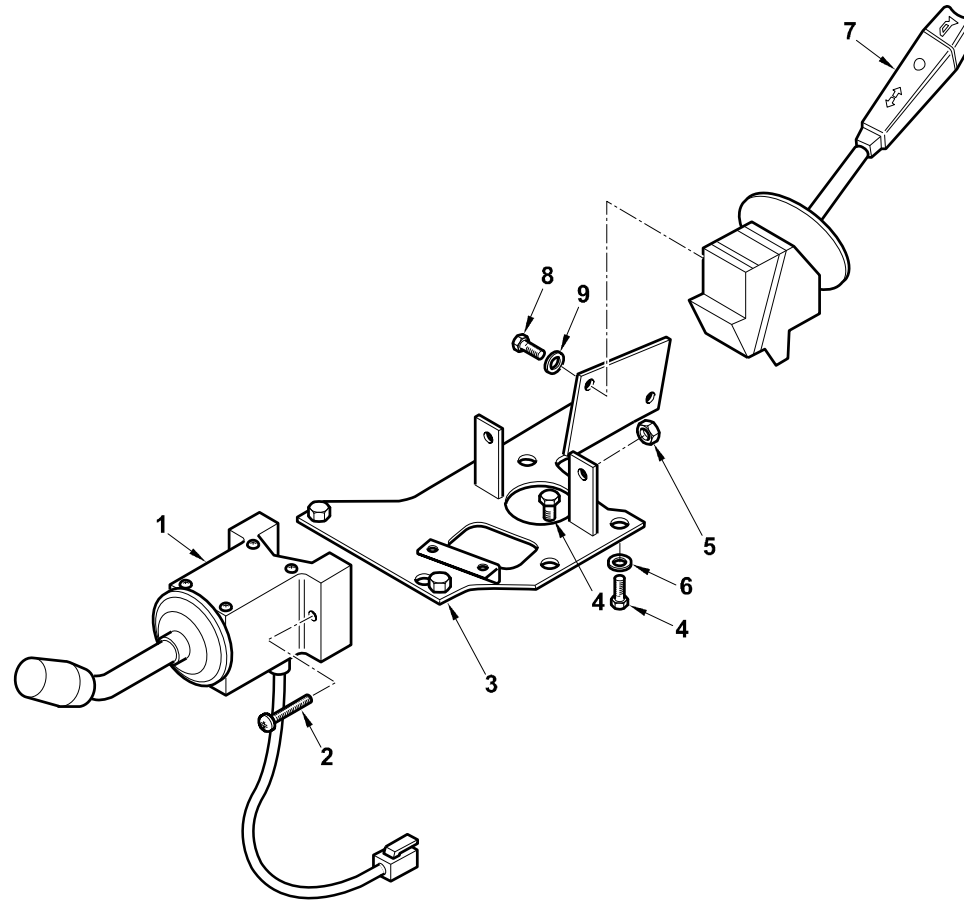


C-55022-03.1-A



Item	Part No.	Qty.	English	French	German	Spanish	Remarks
1	T101129	1	Console - Front Upper (Black)	Console	Konsole	Consola	
2	T101193	1	Switch Pack - RH - Front Console	Paquet De Commut.	Schaltsatz	Paquete De Cambio	
3	#SWITCHPACK	1	Switchpack	Switchpack	Switchpack	Switchpack	Ref. 2
4	T101131	3	Switch Blank (Black)	Couvercle	Deckel	Cubierta	
5	6101777M91	2	Cover Assy. - Switch Operating	Cache	Abdeckung	Tapa	
6	T101133	1	Instrument Panel - Less Speedo (Black Frame)	Table De Bord	Brett, Armaturen	Tablero Instrumentos	
7	T101135	1	Auxilliary Panel (Black)	Panneau	Verklebch	Panel	
8	365915X1	7	Screw- No 6 X 16 Lg (Iso 8.8) Zinc	Vis	Schraube	Tornillo	
9	6101590M1	7	Nut "U" M4	Ecrou	Mutter	Tuerca En U	
10	3519935M91	1	4wd Switch Assy	Commutateur Ass.	Schalter Kplt	Contactar	
11	6106194M1	1	Switch Plate 4wheel Brake	Plaque	Platte	Placa	
12	6106195M2	1	Indicator 4 Wheel Brake Lever	Témoin	Anzeige	Indicador	
13	3009542X1	1	Screw Pan Hd.M6 X 45	Vis	Schraube	Tornillo	
14	3516528M1	1	Boss	Bossage	Anschweißauge	Traviesa	
15	390971X1	2	Washer M6-12-1 Zwl	Rondelle - M6	Scheibe - M6	Arandela	
16	3516529M1	1	Spring	Siège De Ressort	Federsitz	Muelle	
17	1441500X1	1	Nut M6 Z5 Nyloc	Ecrou	Flachmutter M6	Tuerca De Retención	
18	3516218M2	4	Screw S/Tapping	Vis	Schraube	Tornillo	
19	6106221M1	1	Decal-4w Brake Select Switch	Adhésif	Aufkleber	Adhesivo	

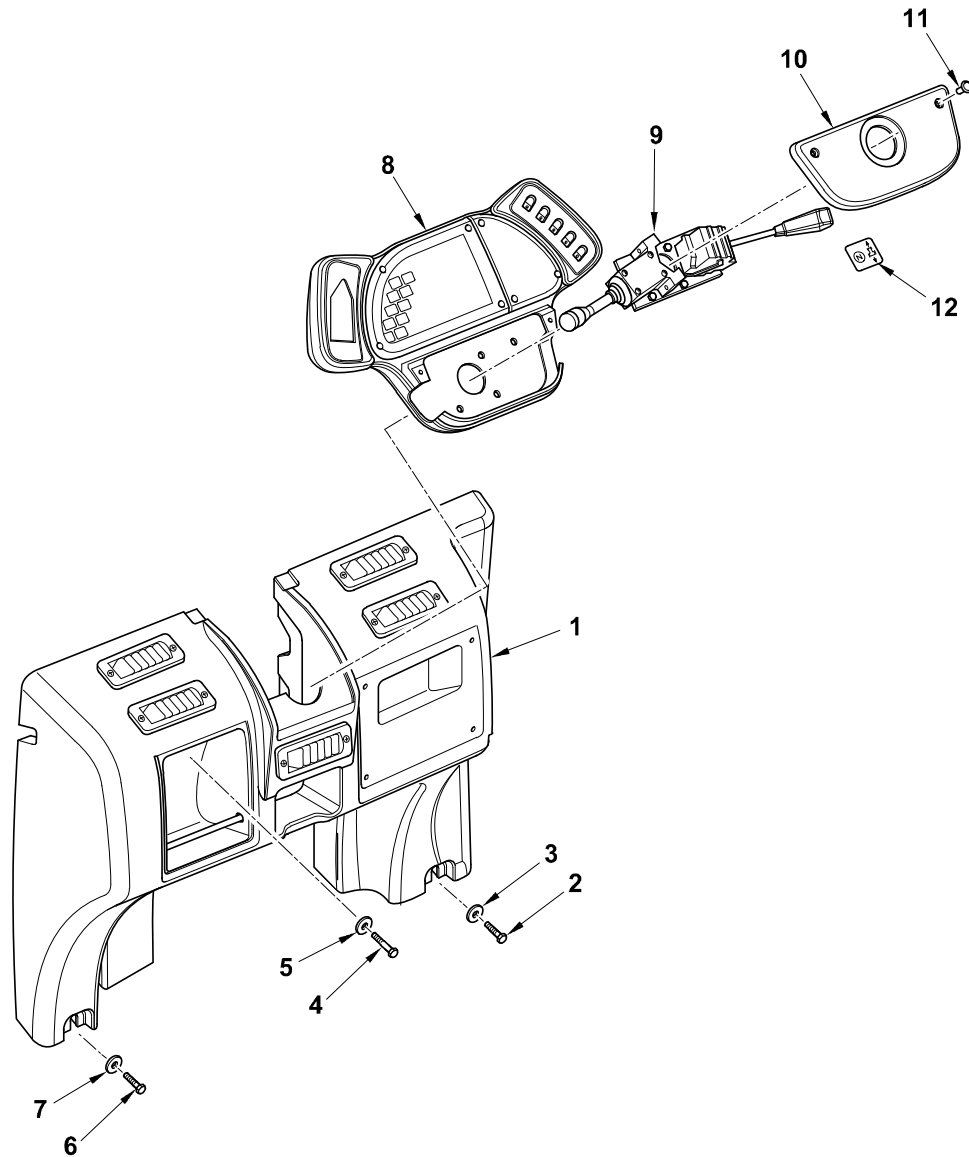
C-55022-04.1-A



Item	Part No.	Qty.	English	French	German	Spanish	Remarks
1	3519823M91	1	Switch Assy. - Forward/Reverse	Commutateur Ass.	Schalter Kplt	Conmutador	
2	3009538X1	2	Screw Pan Hd.M5 X 35	Vis	Schraube	Tornillo	
3	6107120M92	1	Bracket - Switch Mounting	Ensemble Support	Halter Kpl	Cuchara, Conj.	
4	339124X1	6	Bolt M8-16 Z5f	Goupille	Maschschrb Metr - M8	Tornillo	
5	1441494X1	2	Nut, Nyloc - M5	Ecrou Métrique	Mutter Metrisch	Tuerca De Retención	
6	390972X1	3	Washer M8-17-1 Zwl	Rondelle M8	Scheibe - M8	Arandela	
7	3516095M1	1	Switch, Indicators/Horn - Strg. Column	Commutateur	Wählschalter	Conmutador	
8	3007932X1	1	Screw Pan Hd.M5 X 12	Vis	Schraube	Tornillo	
9	3019560X1	2	Washer M5	Rondelle	Scheibe	Arandela	

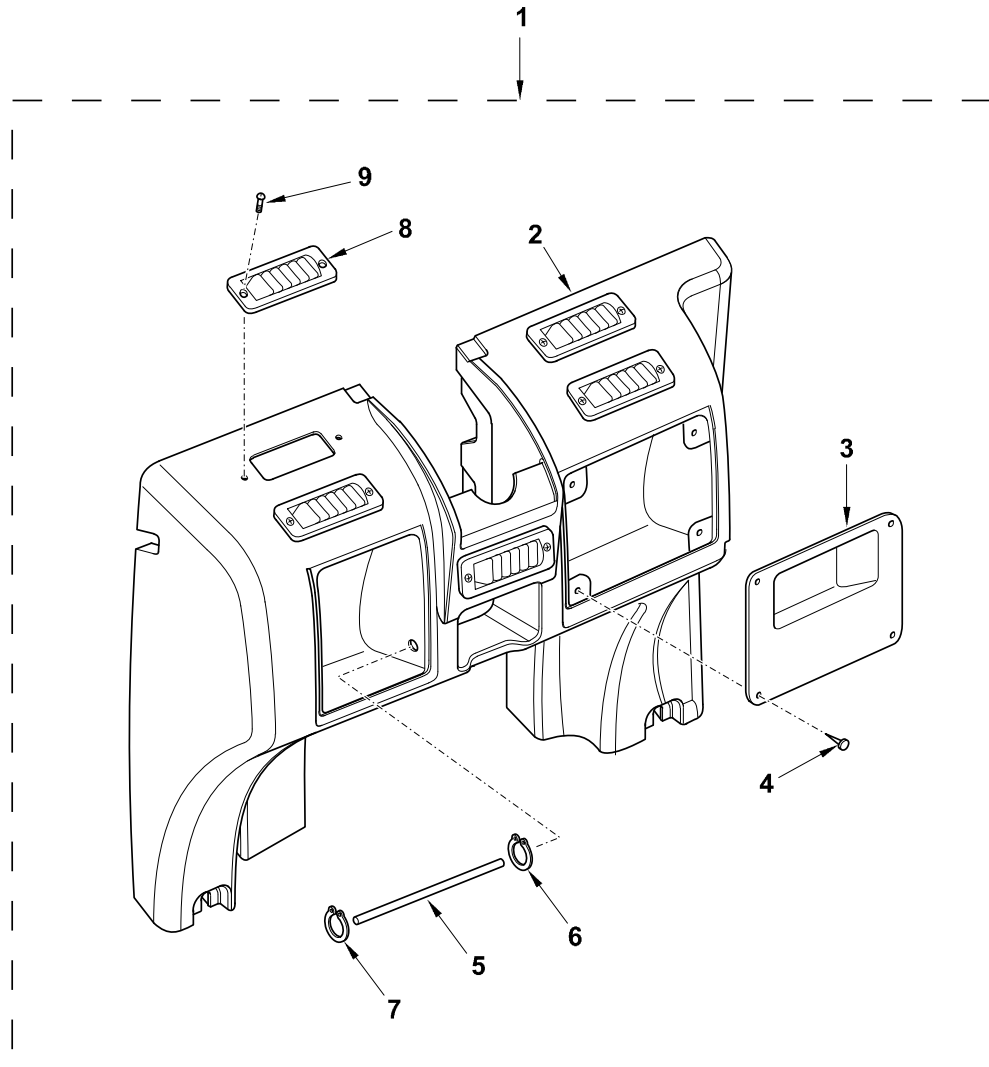


C-55023-01.1-A



Item	Part No.	Qty.	English	French	German	Spanish	Remarks
1	T101127	1	Console Assy Front Lower Cab (Black)	Console	Konsole	Consola	See 55023c02.1
2	#SWITCH, SELECTOR	1	Switch, Selector	Switch, Selector	Switch, Selector	Switch, Selector	See 55023c04.1
3	6101591M1	4	Fastener - "Scrivet"	Rivet	Niete	Remache	
4	#PANEL, INSTRUMENT	1	Panel, Instrument	Panel, Instrument	Panel, Instrument	Panel, Instrument	See 55023c03.1
5	T101130	1	Cover Console Front Upper (Black)	Couvercle	Deckel	Cubierta	
6	339009X1	1	Bolt - M8 X 35	Boulon M8 X 35	Maschschraube M8	Tornillo	
7	6101768M1	1	Washer	Rondelle	Scheibe	Arandela	
8	339123X1	2	Bolt M8-20 Z5f	Boulon M8 X 20	Maschschraube M8	Perno	
9	6101768M1	2	Washer	Rondelle	Scheibe	Arandela	
10	339009X1	1	Bolt - M8 X 35	Boulon M8 X 35	Maschschraube M8	Tornillo	
11	6101768M1	1	Washer	Rondelle	Scheibe	Arandela	
12	6101914M1	1	Decal - Forward / Reverse	Adhésif	Aufkleber	Adhesivo	

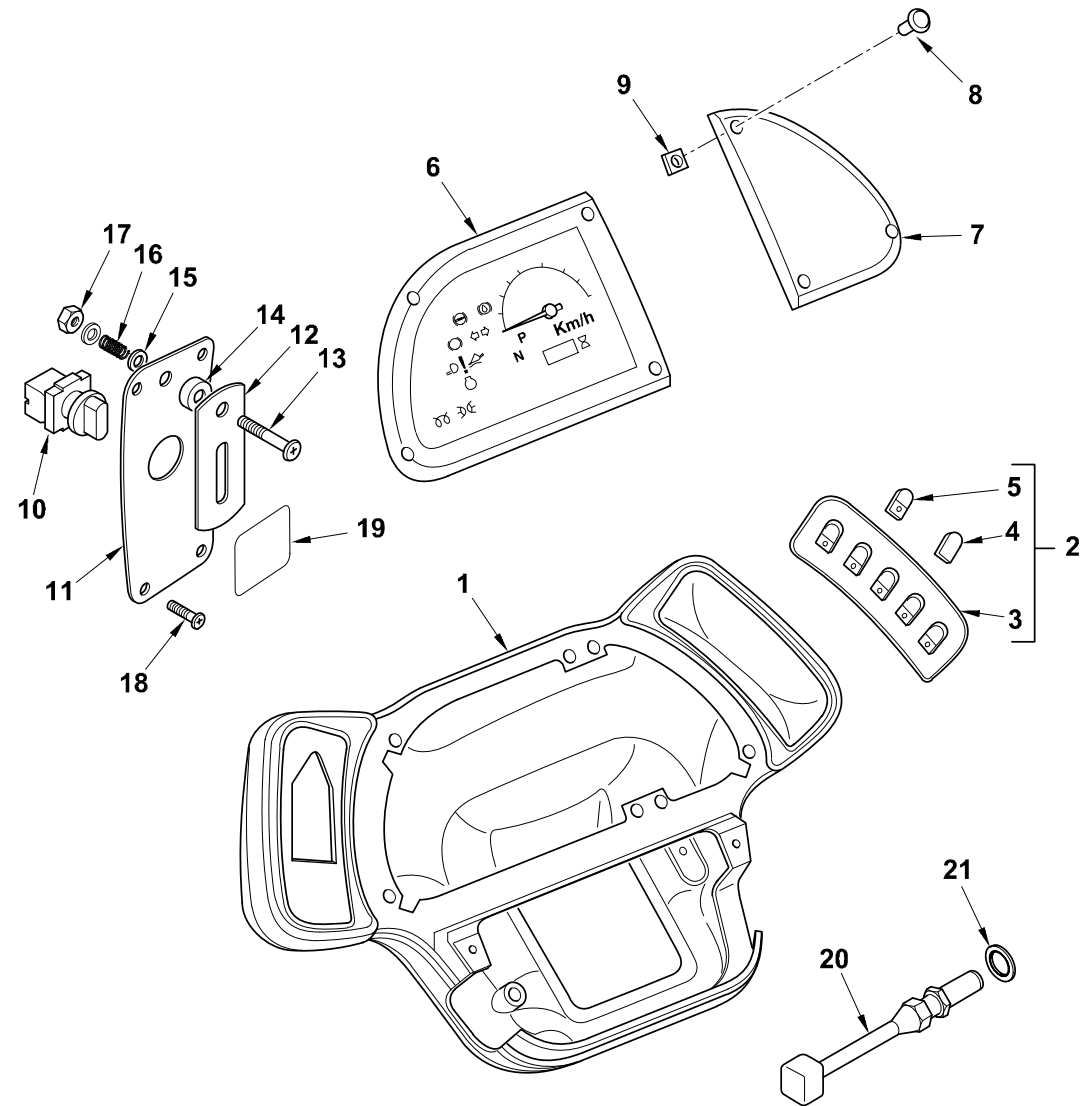
C-55023-02.1-A



Item	Part No.	Qty.	English	French	German	Spanish	Remarks
1	T101127	1	Console Assy Front Lower Cab (Black)	Console	Konsole	Consola	
2	T101128	1	Console Front Lower Cab	Console Front Lower Cab	Console Front Lower Cab	Console Front Lower Cab	
3	T101126	1	Cover (Black)	Couvercle	Deckel	Cubierta	
4	3521303M3	4	Fastener, Plastic - Gear Lever Gaiter	Agrafe	Halteklammer	Enganche	
5	6108289M1	1	Pin-Rops Console Rail	Rail	Schiene	Carril	
6	3000115X1	1	Clip-Spring	Segment D'Arrêt	Sicherungsring	Circlip	
7	3000115X1	1	Clip-Spring	Segment D'Arrêt	Sicherungsring	Circlip	
8	3516231M1	5	Louver Small	Trappe Aération	Luftschlitz	Difusor	
9	3522735M4	10	Screw M3 .5 X 20	Vis Autotaraud	Schneidschraube	Tornillo	



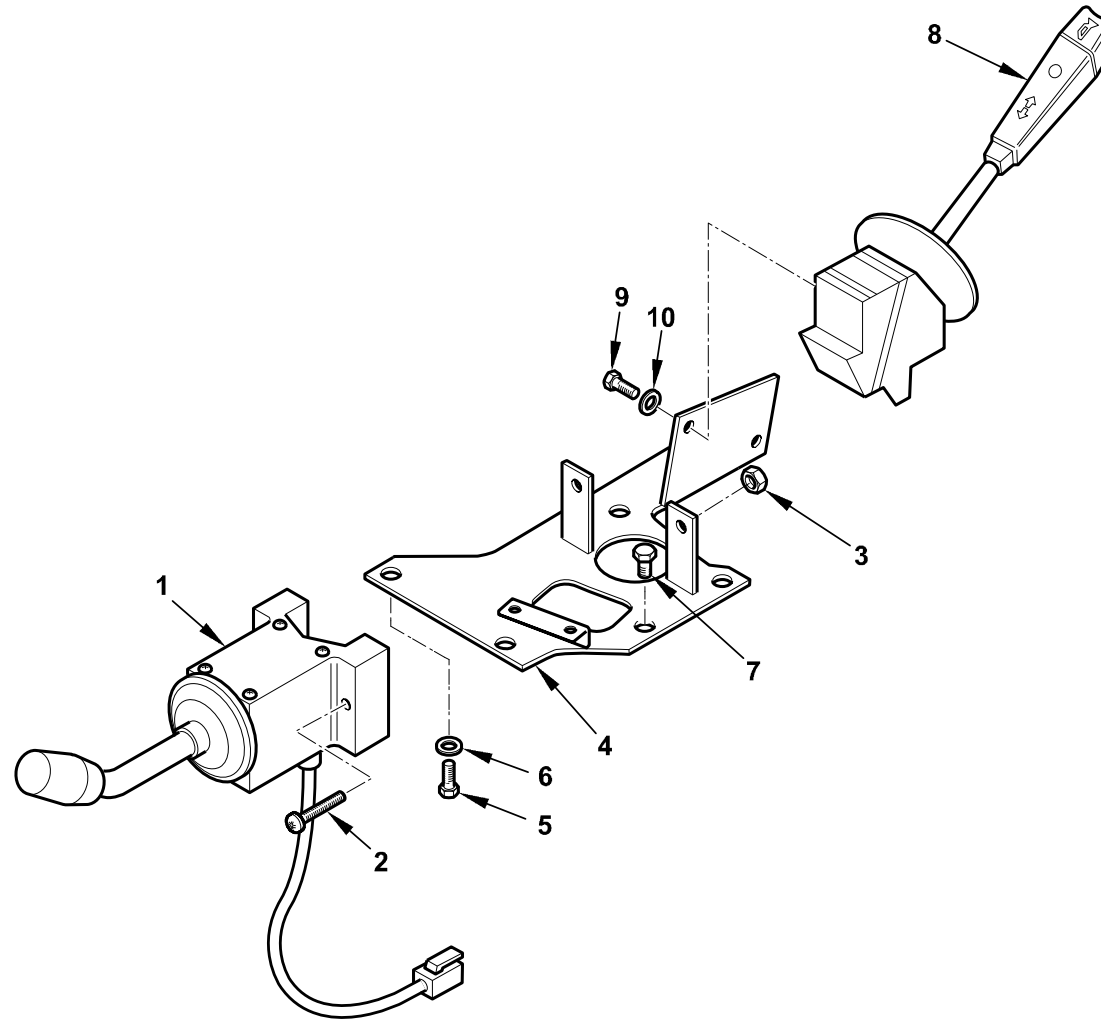
C-55023-03.1-A



Item	Part No.	Qty.	English	French	German	Spanish	Remarks
1	T101129	1	Console - Front Upper (Black)	Console	Konsole	Consola	
2	T101193	1	Switch Pack - RH - Front Console	Paquet De Commut.	Schaltsatz	Paquete De Cambio	
3	#SWITCHPACK	1	Switchpack	Switchpack	Switchpack	Switchpack	Ref. 2
4	T101131	3	Switch Blank (Black)	Couvercle	Deckel	Cubierta	
5	6101777M91	2	Cover Assy. - Switch Operating	Cache	Abdeckung	Tapa	
6	T101134	1	Instrument Panel (Black)	Groupe D'instr. Bord	Instrumentensatz	Grupo Instrs. Abordo	
7	T101135	1	Auxilliary Panel (Black)	Panneau	Verklebch	Panel	
8	365915X1	7	Screw- No 6 X 16 Lg (Iso 8.8) Zinc	Vis	Schraube	Tornillo	
9	6101590M1	7	Nut "U" M4	Ecrou	Mutter	Tuerca En U	
10	3519935M91	1	4wd Switch Assy	Commutateur Ass.	Schalter Kplt	Contactar	
11	6106194M1	1	Switch Plate 4wheel Brake	Plaque	Platte	Placa	
12	6106195M2	1	Indicator 4 Wheel Brake Lever	Témoin	Anzeige	Indicador	
13	3009542X1	1	Screw Pan Hd.M6 X 45	Vis	Schraube	Tornillo	
14	3516528M1	1	Boss	Bossage	Anschweißauge	Traviesa	
15	390971X1	2	Washer M6-12-1 Zwl	Rondelle - M6	Scheibe - M6	Arandela	
16	3516529M1	1	Spring	Siège De Ressort	Federsitz	Muelle	
17	1441500X1	1	Nut M6 Z5 Nyloc	Ecrou	Flachmutter M6	Tuerca De Retención	
18	3516218M2	4	Screw S/Tapping	Vis	Schraube	Tornillo	
19	6106221M1	1	Decal-4w Brake Select Switch	Adhésif	Aufkleber	Adhesivo	
20	6110926M91	1	Speed Sensor Carraro Ref: 9471260	Capteur Vitesse	Sensor	Captador	
21	N612	1	Seal Bonded - 1/2" Bsb	Joint	Dichtung	Junta	



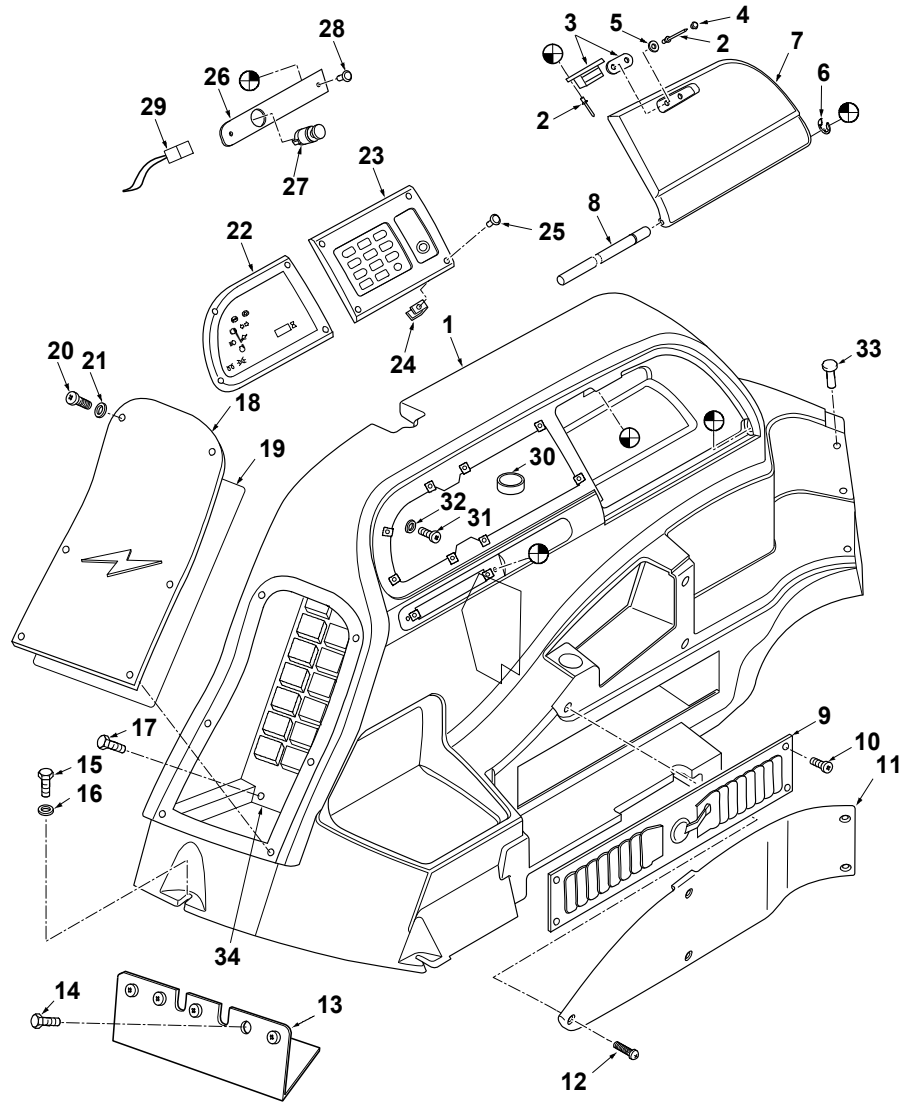
C-550023-04.1-A



Item	Part No.	Qty.	English	French	German	Spanish	Remarks
1	3519823M91	1	Switch Assy. - Forward/Reverse	Commutateur Ass.	Schalter Kplt	Conmutador	
2	3009538X1	2	Screw Pan Hd.M5 X 35	Vis	Schraube	Tornillo	
3	6107120M92	1	Bracket - Switch Mounting	Ensemble Support	Halter Kpl	Cuchara, Conj.	
4	339124X1	6	Bolt M8-16 Z5f	Goupille	Maschschrb Metr - M8	Tornillo	
5	1441494X1	2	Nut, Nyloc - M5	Ecrou Métrique	Mutter Metrisch	Tuerca De Retención	
6	390972X1	3	Washer M8-17-1 Zwl	Rondelle M8	Scheibe - M8	Arandela	
7	3516095M1	1	Switch, Indicators/Horn - Strg. Column	Commutateur	Wählschalter	Conmutador	
8	3007932X1	1	Screw Pan Hd.M5 X 12	Vis	Schraube	Tornillo	
9	3019560X1	2	Washer M5	Rondelle	Scheibe	Arandela	



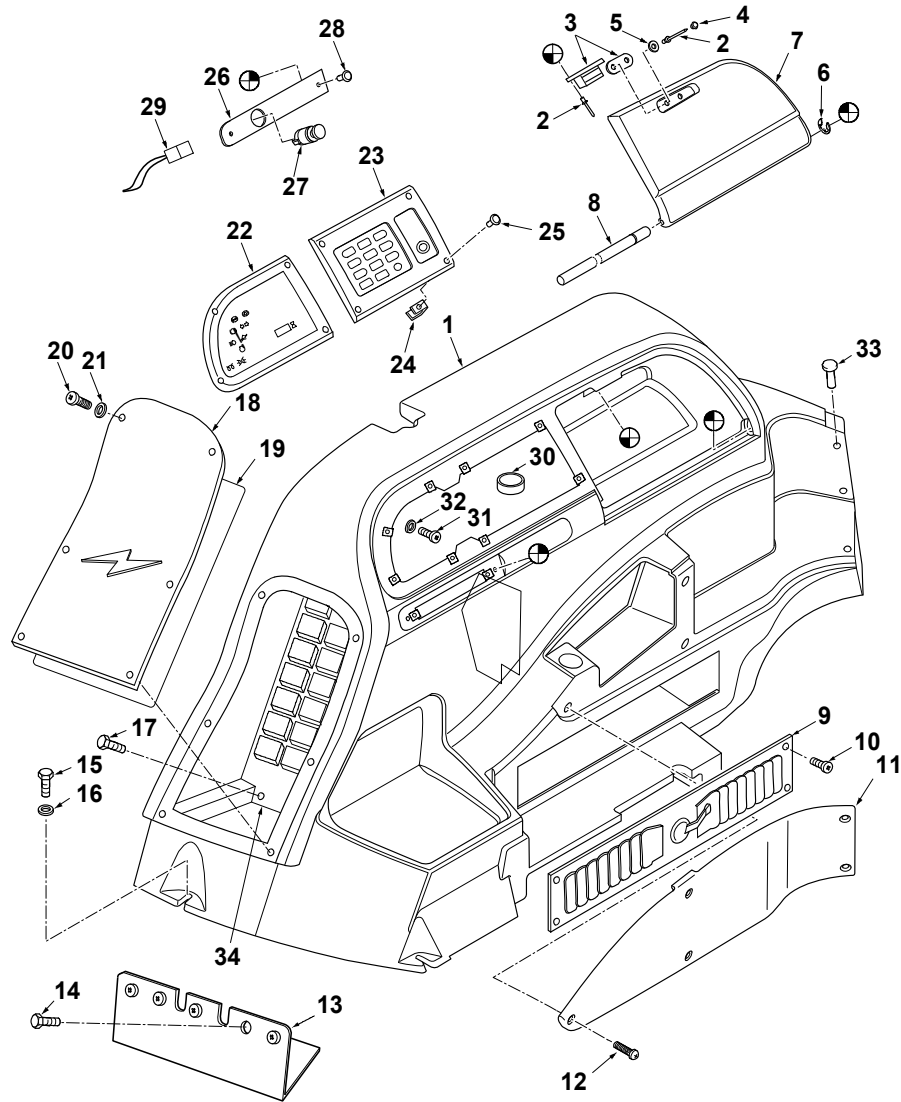
C-56010-01.1-A



Item	Part No.	Qty.	English	French	German	Spanish	Remarks
1	6101710M94	1	Console-Rh Side - Mechanical	Console	Konsole	Consola	
2	371803X1	4	Rivet-Blind	Rivet	Niete	Remache	
3	6101592M91	1	Catch-Magnetic	Aimant	Magnet	Imán	
4	6101622M1	2	Unicap	Bouchon	Stopfen	Sombbreroete	
5	6101623M1	2	Washer - Unicap	Rondelle	Scheibe	Arandela	
6	3000115X1	1	Clip-Spring	Segment D'Arrêt	Sicherungsring	Circlip	
7	6099520M1	1	Moulding-Glove-Box-Lid	Porte	Tür	Tapa	
8	6101630M1	1	Rod Hinge	Tige Charnière	Gelenkstange	Vástago	
9	6101500M2	1	Louvre-Rh Side Console	Diffuseur	Luftdüse	Rejilla	
10	3522735M4	4	Screw M3 .5 X 20	Vis Autotaraud	Schneidschraube	Tornillo	
11	6099519M1	1	Cover - Handbrake (Grey)	Cache	Abdeckung	Tapa	
12	6101591M1	5	Fastener - "Scrivet"	Rivet	Niete	Remache	
13	6110203M2	1	Bracket - Relay	Patte Fixation	Halter	Pata De Fijación	
14	1472524M2	4	Screw 10-0.62 Ncb1 Pan	Vis	Schraube	Tornillo	
15	339804X1	2	Bolt, Hex, - M6 X 25	Goupille	Maschschrb Metr - M6	Tornillo	
16	3516109M1	2	Washer Fender Spacer	Rondelle	Scheibe	Arandela	
17	1472524M2	2	Screw 10-0.62 Ncb1 Pan	Vis	Schraube	Tornillo	
18	6102584M91	1	Cover Assy Fusebox	Cache	Abdeckung	Tapa, Conj.	
19	6111766M3	1	Decal-Relay/Fuse Board	Decalcomanie	Aufkleber	Calcomania	
20	6110701M1	6	Screw M5 X 25 Lg - Pan Head	Vis	Schraube	Tornillo	
21	3512553M1	6	Washer Large M5	Rondelle - M5	Scheibe - M5	Arandela	
22	6110488M91	1	Instrument Pack - Console Rhs	Groupe D'Instr. De Bord	Instrument Kpl	Grupo Instrs. Abordo	
23	6109511M91	1	Switchpack Side Console Mech S/S	Paquet De Commut.	Schaltsatz	Paquete De Cambio	56010c02.1 1
24	6101590M1	8	Nut "U" M4	Ecrou	Mutter	Tuerca En U	
25	365919X1	8	Screw, Pan Head - No. 8 X 16mm	Vis	Schraube	Tornillo	
26	6101153M2	1	Plate-Switch-Auxiliary	Plaque	Platte	Placa	
27	3517053M91	1	Lighter Cigar	Allume-Cigares	Zigarettenanzünder	Encendedor De Cig.	
28	365915X1	2	Screw- No 6 X 16 Lg (Iso 8.8) Zinc	Vis	Schraube	Tornillo	
29	6102229M92	1	Harness-Switchpack Accessory	Ensemble De Faisceau	Kabelstrang Kpl.	Haz, Conj.	
30	6102479M1	1	Bung-Harness Retaining	Passe-Fil	Tülle	Pasa Cable	



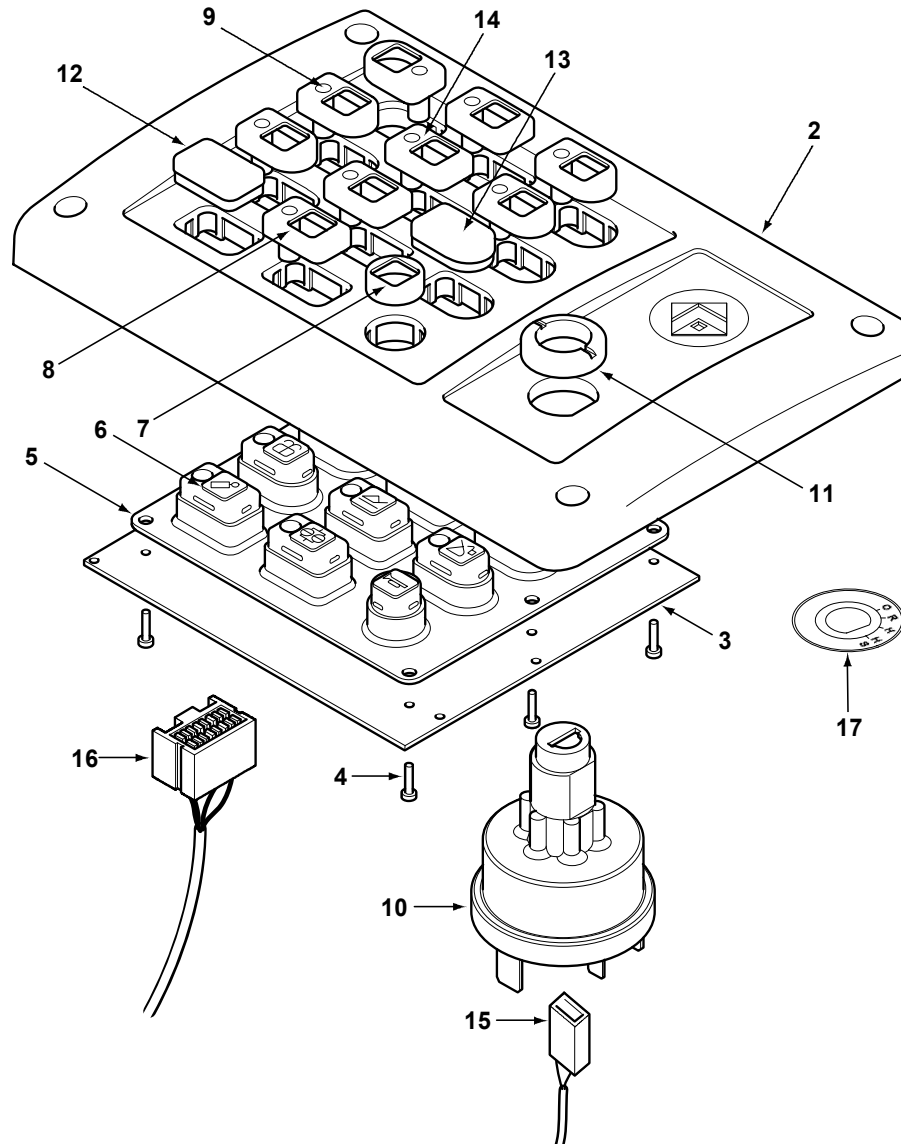
C-56010-01.1-A



Item	Part No.	Qty.	English	French	German	Spanish	Remarks
31	339560X1	1	Bolt - M6 X 16mm (Hex.)	Boulon M6 X 16	Maschschraube - M6	Tornillo	
32	391038X1	1	Washer M6 - Large Zinc Hardened	Rondelle	Scheibe	Arandela	
33	6101591M1	3	Fastener - "Scrivet"	Rivet	Niete	Remache	
34	#FUSE/RELAY BOARD	1	Fuse/Relay Board	Fuse/Relay Board	Fuse/Relay Board	Fuse/Relay Board	56010c03.1 1

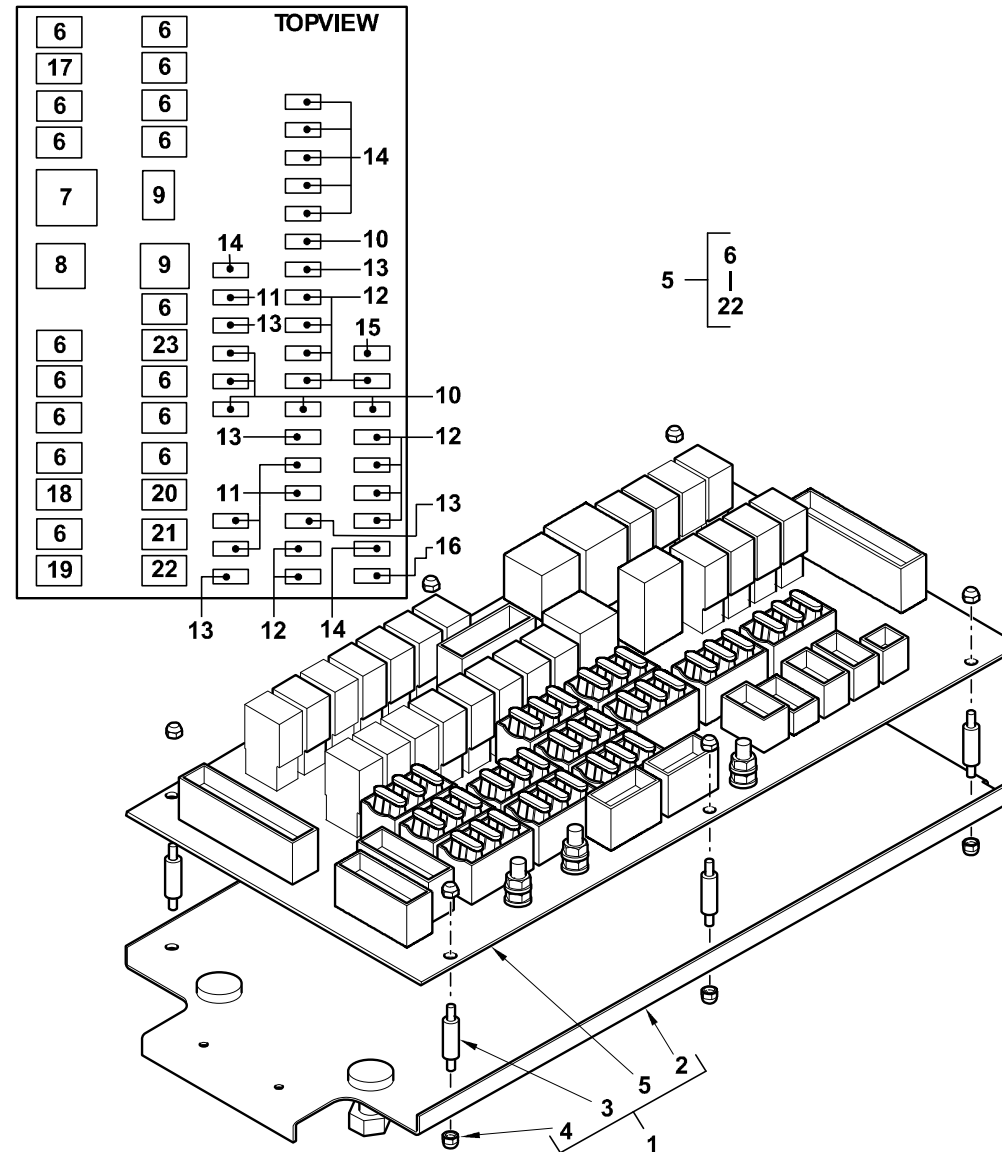


C-56010-02.1-A



Item	Part No.	Qty.	English	French	German	Spanish	Remarks
1	6109511M91	1	Switchpack Side Console Mech S/S	Paquet De Commut.	Schaltsatz	Paquete De Cambio	56010c01.1 23
2	#COVER	1	Cover	Cover	Cover	Cover	Ref. 1
3	#SWITCH ASSY	1	Switch Assy	Switch Assy	Switch Assy	Switch Assy	Ref. 1
4	#SCREW	10	Screw	Vis	Schraube	Tornillo	Ref. 1
5	#SHEET	1	Sheet	Sheet	Sheet	Sheet	Ref. 1
6	#DECAL	1	Decal	Decal	Decal	Decal	Ref. 1
7	6101801M1	1	Cover-Button Round	Cache	Abdeckung	Botón	
8	6101796M91	3	Cover Assy. - Switch Operating	Cache	Abdeckung	Botón	
9	6101777M91	5	Cover Assy. - Switch Operating	Cache	Abdeckung	Tapa	
10	6101809M91	1	Switch Assy Ignition	Commutateur Ass.	Schalter Kplt	Conmutador, Arranq.	
11	6101930M1	1	Nut-Bezel - Ignition Switch H	Monture	Lampenring	Bisel	
12	6101788M1	1	Cover-Switch W/O Legend (Grey)	Cache	Abdeckung	Botón	
13	6101778M1	1	Cover-Switch W/Out Legend (Grey)	Cache	Abdeckung	Tapa	
14	6102603M91	1	Cover-Switch Rectangular	Cache	Abdeckung	Botón	
15	6110158M92	1	Harness - Ignition	Faisceau	Beschirrung	Haz, Conj.	Ec06/129
15	6110158M91	1	Harness - Ignition	Ensemble De Faisceau	Kabelstrang	Haz, Conj.	Ec06/129
16	6102300M91	1	Harness-Switchpack-Mechanical	Ensemble De Faisceau	Kabelstrang Kpl.	Haz, Conj.	
17	6110250M2	1	Decal - Ignition	Decalcomanie	Aufkleber	Adhesivo	

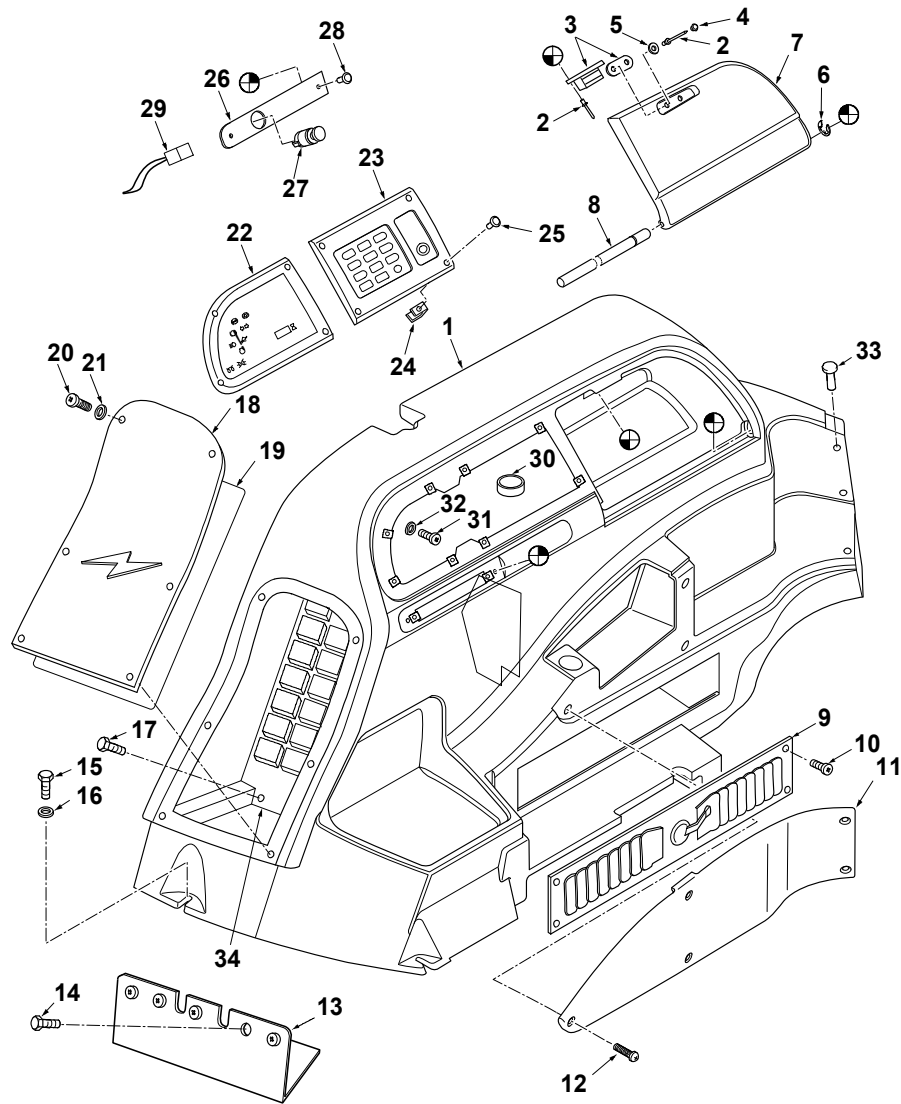
C-56010-03.1-D



Item	Part No.	Qty.	English	French	German	Spanish	Remarks
1	6108707M93	1	Board-Relay/Fuse Assy	Tableau Fusible/Relais	Sicherung / Relaiskarte	Tablero Fusibles/Reles	
2	#PLATE	1	Plate	Plaque	Platte	Plato	Ref.1
3	6102558M1	8	Pillar Nylon	Support De Tableau	Armaturenbretthalter	Soporte De Panel	
4	3009074X1	16	Nut Nyloc M4	Ecrou	Mutter	Tuerca De Retención	
5	#FUSE/RELAY BOARD	1	Fuse/Relay Board	Fuse/Relay Board	Fuse/Relay Board	Fuse/Relay Board	Ref.1
6	6102490M1	16	Relay-Micro	Relais	Relais	Relé	Micro
7	6108737M1	1	Flasher Unit Relay 12v	Relais Clignot.	Blinkgeber	Rele	Flasher Unit
8	6102648M1	1	Relay-Hazard	Relais	Relais	Relé	Hazard
9	6102496M1	2	Relay-Mini	Relais	Relais	Relé	Mini
10	6108756M1	6	Ato Automotive Fuse 3a 32vdc	Fusible	Sicherung	Fusible	
11	6108757M1	6	Ato Automotive Fuse 5a 32vdc	Fusible - 5a	Sicherung - 5a	Fusible	
12	6108754M1	11	Ato Automotive Fuse 7.5a 32vdc	Fusible	Sicherung	Fusible	
13	3523568M1	5	Fuse, Standard - 10 Amp., Red	Fusible	Sicherung	Fusible	Ec06/225
13	3523568M1	6	Fuse, Standard - 10 Amp., Red	Fusible	Sicherung	Fusible	Ec06/225
14	3523569M1	6	Fuse, Standard - 15 Amp., Blue	Fusible	Sicherung	Fusible	Ec05/215 Ec06/225
14	3523569M1	7	Fuse, Standard - 15 Amp., Blue	Fusible	Sicherung	Fusible	Ec05/215
14	3523569M1	7	Fuse, Standard - 15 Amp., Blue	Fusible	Sicherung	Fusible	Ec06/225
15	3523570M1	1	Fuse, Standard - 20 Amp., Yellow	Fusible	Sicherung	Fusible	Ec05/215
16	3523571M1	1	Fuse, Standard - 25 Amp., Clear	Fusible	Sicherung, 25a	Fusible	
17	#RELAY	1	Relay	Relay	Relay	Relay	Hose Burst
18	#RELAY	1	Relay	Relay	Relay	Relay	Loader Q/Attach
19	#RELAY	1	Relay	Relay	Relay	Relay	Digger Q/Attach
20	#RELAY	1	Relay	Relay	Relay	Relay	4wd
21	#RELAY	1	Relay	Relay	Relay	Relay	Ride Control
22	#RELAY	1	Relay	Relay	Relay	Relay	Hose Burst
23	6114405M1	1	Relay - Micro Diode	Relais	Relais	Rele	



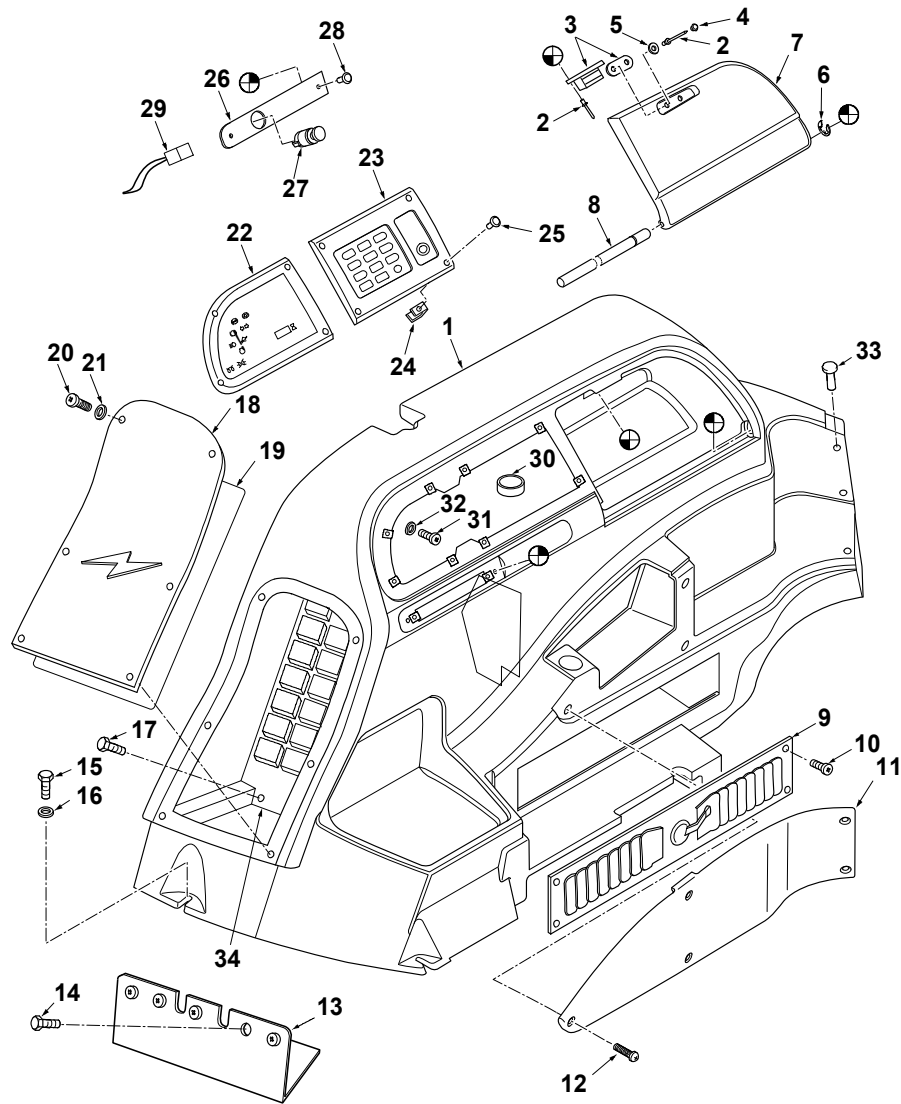
C-56011-01.1-A



Item	Part No.	Qty.	English	French	German	Spanish	Remarks
1	6101710M94	1	Console-Rh Side - Mechanical	Console	Konsole	Consola	
2	371803X1	4	Rivet-Blind	Rivet	Niete	Remache	
3	6101592M91	1	Catch-Magnetic	Aimant	Magnet	Imán	
4	6101622M1	2	Unicap	Bouchon	Stopfen	Sombreroete	
5	6101623M1	2	Washer - Unicap	Rondelle	Scheibe	Arandela	
6	3000115X1	1	Clip-Spring	Segment D'Arrêt	Sicherungsring	Circlip	
7	6099520M1	1	Moulding-Glove-Box-Lid	Porte	Tür	Tapa	
8	6101630M1	1	Rod Hinge	Tige Charnière	Gelenkstange	Vástago	
9	6101500M2	1	Louvre-Rh Side Console	Diffuseur	Luftdüse	Rejilla	
10	3522735M4	4	Screw M3 .5 X 20	Vis Autotaraud	Schneidschraube	Tornillo	
11	6099519M1	1	Cover - Handbrake (Grey)	Cache	Abdeckung	Tapa	
12	6101591M1	5	Fastener - "Scrivet"	Rivet	Niete	Remache	
13	6110203M2	1	Bracket - Relay	Patte Fixation	Halter	Pata De Fijación	
14	1472524M2	4	Screw 10-0.62 Ncb1 Pan	Vis	Schraube	Tornillo	
15	339804X1	2	Bolt, Hex, - M6 X 25	Goupille	Maschschrb Metr - M6	Tornillo	
16	3516109M1	2	Washer Fender Spacer	Rondelle	Scheibe	Arandela	
17	1472524M2	2	Screw 10-0.62 Ncb1 Pan	Vis	Schraube	Tornillo	
18	6102584M91	1	Cover Assy Fusebox	Cache	Abdeckung	Tapa, Conj.	
19	6111766M3	1	Decal-Relay/Fuse Board	Decalcomanie	Aufkleber	Calcomania	
20	6110701M1	6	Screw M5 X 25 Lg - Pan Head	Vis	Schraube	Tornillo	
21	3512553M1	6	Washer Large M5	Rondelle - M5	Scheibe - M5	Arandela	
22	6110488M91	1	Instrument Pack - Console Rhs	Groupe D'Instr. De Bord	Instrument Kpl	Grupo Instrs. Abordo	
23	6109509M93	1	Switchpack Side Console Mech Centremount	Paquet De Commut.	Armaturen Brett	Paquete De Cambio	56011c02.1 1
24	6101590M1	8	Nut "U" M4	Ecrou	Mutter	Tuerca En U	
25	365919X1	8	Screw, Pan Head - No. 8 X 16mm	Vis	Schraube	Tornillo	
26	6101153M2	1	Plate-Switch-Auxiliary	Plaque	Platte	Placa	
27	3517053M91	1	Lighter Cigar	Allume-Cigares	Zigarettenanzünder	Encendedor De Cig.	
28	365915X1	2	Screw- No 6 X 16 Lg (Iso 8.8) Zinc	Vis	Schraube	Tornillo	
29	6102229M92	1	Harness-Switchpack Accessory	Ensemble De Faisceau	Kabelstrang Kpl.	Haz, Conj.	
30	6102479M1	1	Bung-Harness Retaining	Passe-Fil	Tülle	Pasa Cable	



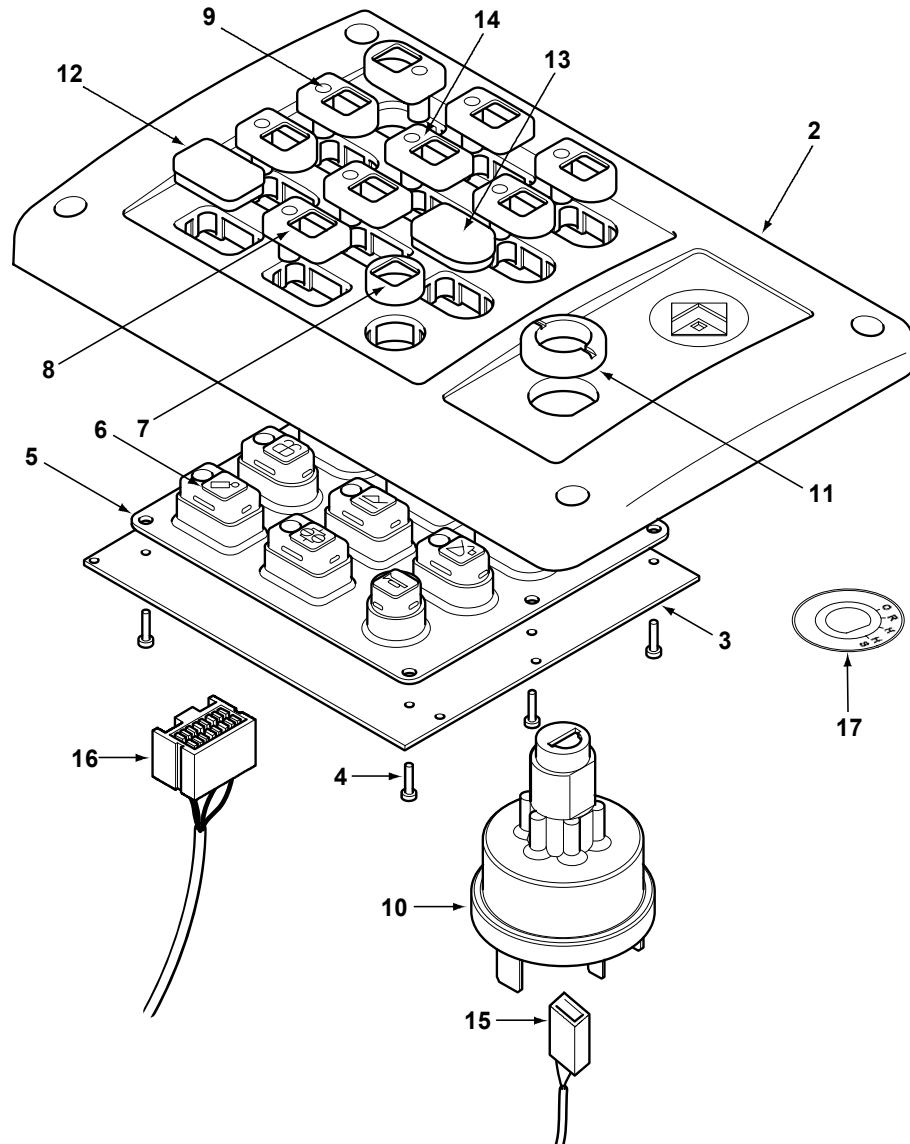
C-56011-01.1-A



Item	Part No.	Qty.	English	French	German	Spanish	Remarks
31	339560X1	1	Bolt - M6 X 16mm (Hex.)	Boulon M6 X 16	Maschschraube - M6	Tornillo	
32	391038X1	1	Washer M6 - Large Zinc Hardened	Rondelle	Scheibe	Arandela	
33	6101591M1	3	Fastener - "Scrivet"	Rivet	Niete	Remache	
34	#FUSE/RELAY BOARD	1	Fuse/Relay Board	Fuse/Relay Board	Fuse/Relay Board	Fuse/Relay Board	56011c03.1 1



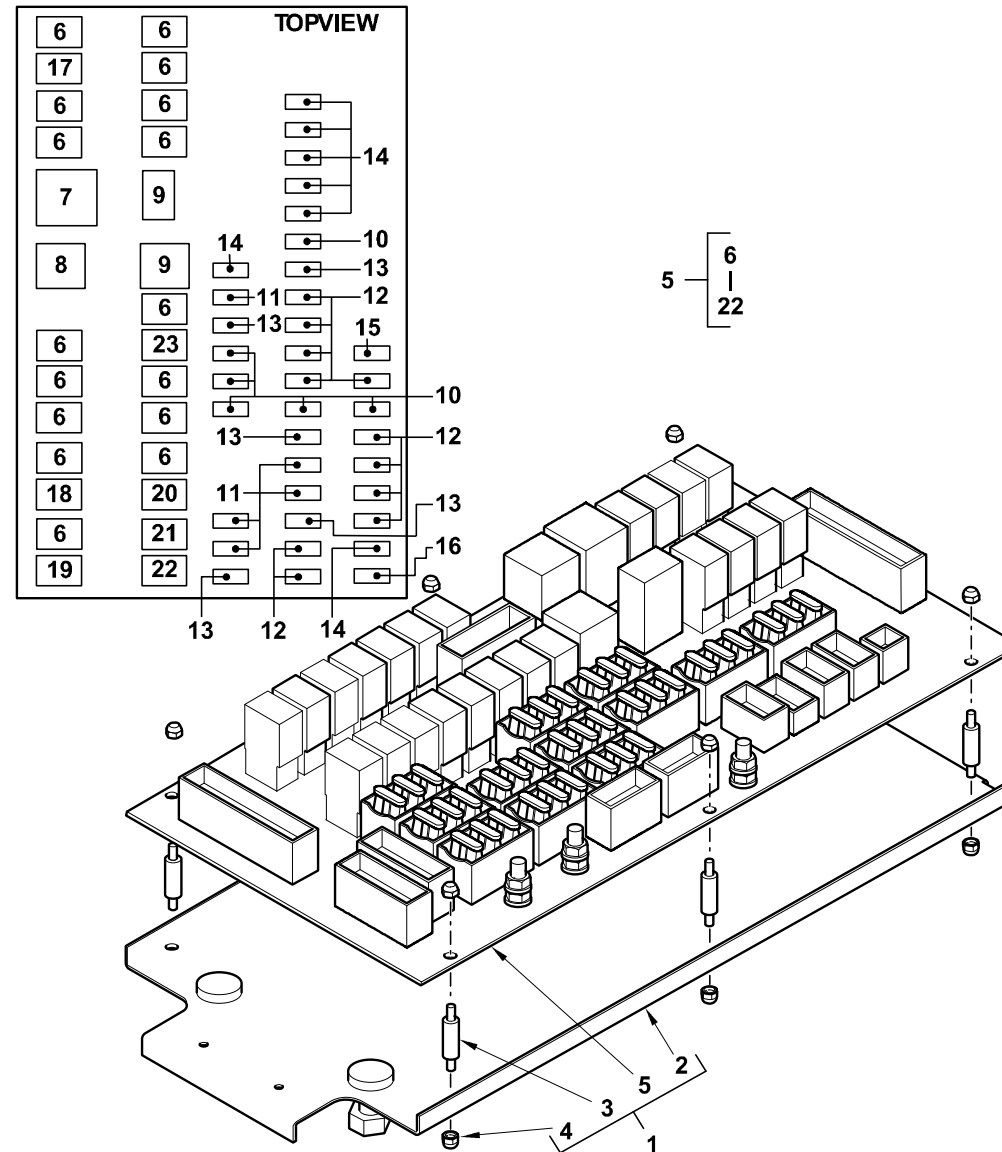
C-56011-02.1-A



Item	Part No.	Qty.	English	French	German	Spanish	Remarks
1	6109509M93	1	Switchpack Side Console Mech Centremount	Paquet De Commut.	Armaturenbrett	Paquete De Cambio	56011c01.1 23
2	#COVER	1	Cover	Cover	Cover	Cover	Ref. 1
3	#SWITCH ASSY	1	Switch Assy	Switch Assy	Switch Assy	Switch Assy	Ref. 1
4	#SCREW	10	Screw	Vis	Schraube	Tornillo	Ref. 1
5	#SHEET	1	Sheet	Sheet	Sheet	Sheet	Ref. 1
6	#DECAL	1	Decal	Decal	Decal	Decal	Ref. 1
7	6101801M1	1	Cover-Button Round	Cache	Abdeckung	Botón	
8	6101796M91	3	Cover Assy. - Switch Operating	Cache	Abdeckung	Botón	
9	6101777M91	5	Cover Assy. - Switch Operating	Cache	Abdeckung	Tapa	
10	6101809M91	1	Switch Assy Ignition	Commutateur Ass.	Schalter Kplt	Conmutador, Arranq.	
11	6101930M1	1	Nut-Bezel - Ignition Switch H	Monture	Lampenring	Bisel	
12	6101788M1	1	Cover-Switch W/O Legend (Grey)	Cache	Abdeckung	Botón	
13	6101778M1	1	Cover-Switch W/Out Legend (Grey)	Cache	Abdeckung	Tapa	
14	6102603M91	1	Cover-Switch Rectangular	Cache	Abdeckung	Botón	
15	6110158M92	1	Harness - Ignition	Faisceau	Beschirrung	Haz, Conj.	Ec06/129
15	6110158M91	1	Harness - Ignition	Ensemble De Faisceau	Kabelstrang	Haz, Conj.	Ec06/129
16	6102300M91	1	Harness-Switchpack-Mechanical	Ensemble De Faisceau	Kabelstrang Kpl.	Haz, Conj.	
17	6110250M2	1	Decal - Ignition	Decalcomanie	Aufkleber	Adhesivo	

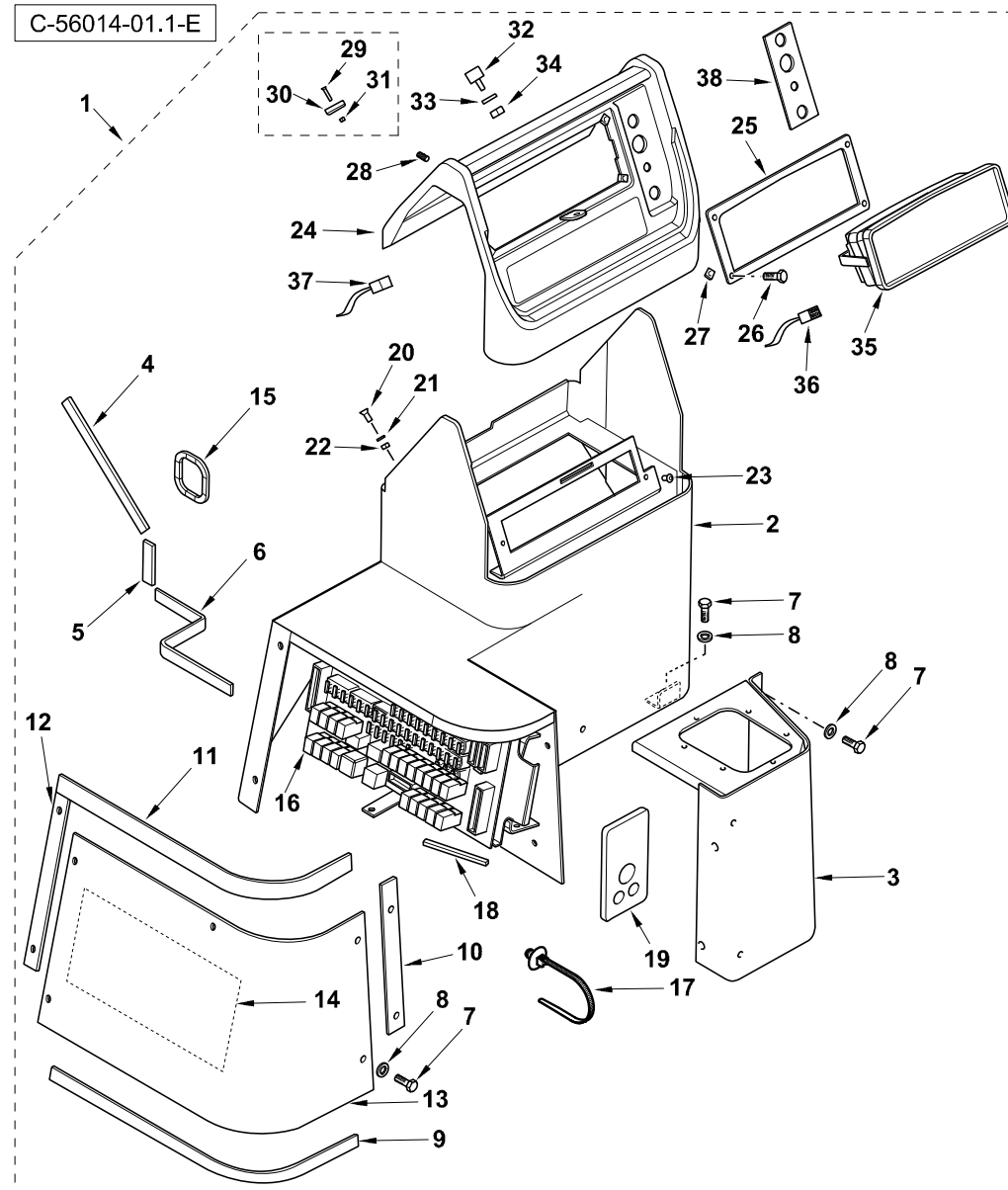


C-56011-03.1-D



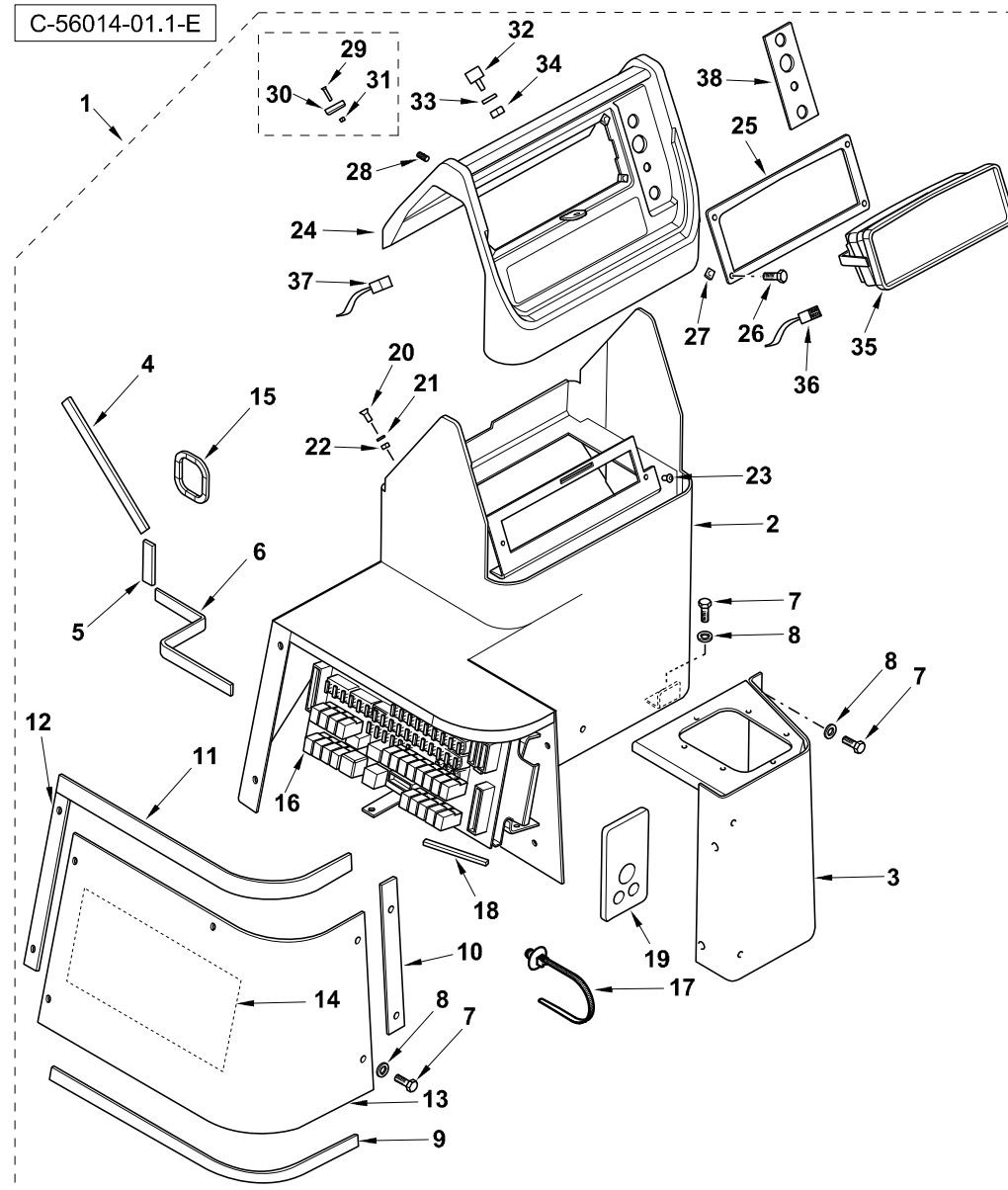
Item	Part No.	Qty.	English	French	German	Spanish	Remarks
1	6108707M93	1	Board-Relay/Fuse Assy	Tableau Fusible/Relais	Sicherung / Relaiskarte	Tablero Fusibles/Reles	
2	#PLATE	1	Plate	Plaque	Platte	Plato	Ref.1
3	6102558M1	8	Pillar Nylon	Support De Tableau	Armaturenbretthalter	Soporte De Panel	
4	3009074X1	16	Nut Nyloc M4	Ecrou	Mutter	Tuerca De Retención	
5	#FUSE/RELAY BOARD	1	Fuse/Relay Board	Fuse/Relay Board	Fuse/Relay Board	Fuse/Relay Board	Ref.1
6	6102490M1	16	Relay-Micro	Relais	Relais	Relé	Micro
7	6108737M1	1	Flasher Unit Relay 12v	Relais Clignot.	Blinkgeber	Rele	Flasher Unit
8	6102648M1	1	Relay-Hazard	Relais	Relais	Relé	Hazard
9	6102496M1	2	Relay-Mini	Relais	Relais	Relé	Mini
10	6108756M1	6	Ato Automotive Fuse 3a 32vdc	Fusible	Sicherung	Fusible	
11	6108757M1	6	Ato Automotive Fuse 5a 32vdc	Fusible - 5a	Sicherung - 5a	Fusible	
12	6108754M1	11	Ato Automotive Fuse 7.5a 32vdc	Fusible	Sicherung	Fusible	
13	3523568M1	5	Fuse, Standard - 10 Amp., Red	Fusible	Sicherung	Fusible	Ec06/225
13	3523568M1	6	Fuse, Standard - 10 Amp., Red	Fusible	Sicherung	Fusible	Ec06/225
14	3523569M1	6	Fuse, Standard - 15 Amp., Blue	Fusible	Sicherung	Fusible	Ec05/215 Ec06/225
14	3523569M1	7	Fuse, Standard - 15 Amp., Blue	Fusible	Sicherung	Fusible	Ec05/215
14	3523569M1	7	Fuse, Standard - 15 Amp., Blue	Fusible	Sicherung	Fusible	Ec06/225
15	3523570M1	1	Fuse, Standard - 20 Amp., Yellow	Fusible	Sicherung	Fusible	Ec05/215
16	3523571M1	1	Fuse, Standard - 25 Amp., Clear	Fusible	Sicherung, 25a	Fusible	
17	#RELAY	1	Relay	Relay	Relay	Relay	Hose Burst
18	#RELAY	1	Relay	Relay	Relay	Relay	Loader Q/Attach
19	#RELAY	1	Relay	Relay	Relay	Relay	Digger Q/Attach
20	#RELAY	1	Relay	Relay	Relay	Relay	4wd
21	#RELAY	1	Relay	Relay	Relay	Relay	Ride Control
22	#RELAY	1	Relay	Relay	Relay	Relay	Hose Burst
23	6114405M1	1	Relay - Micro Diode	Relais	Relais	Rele	





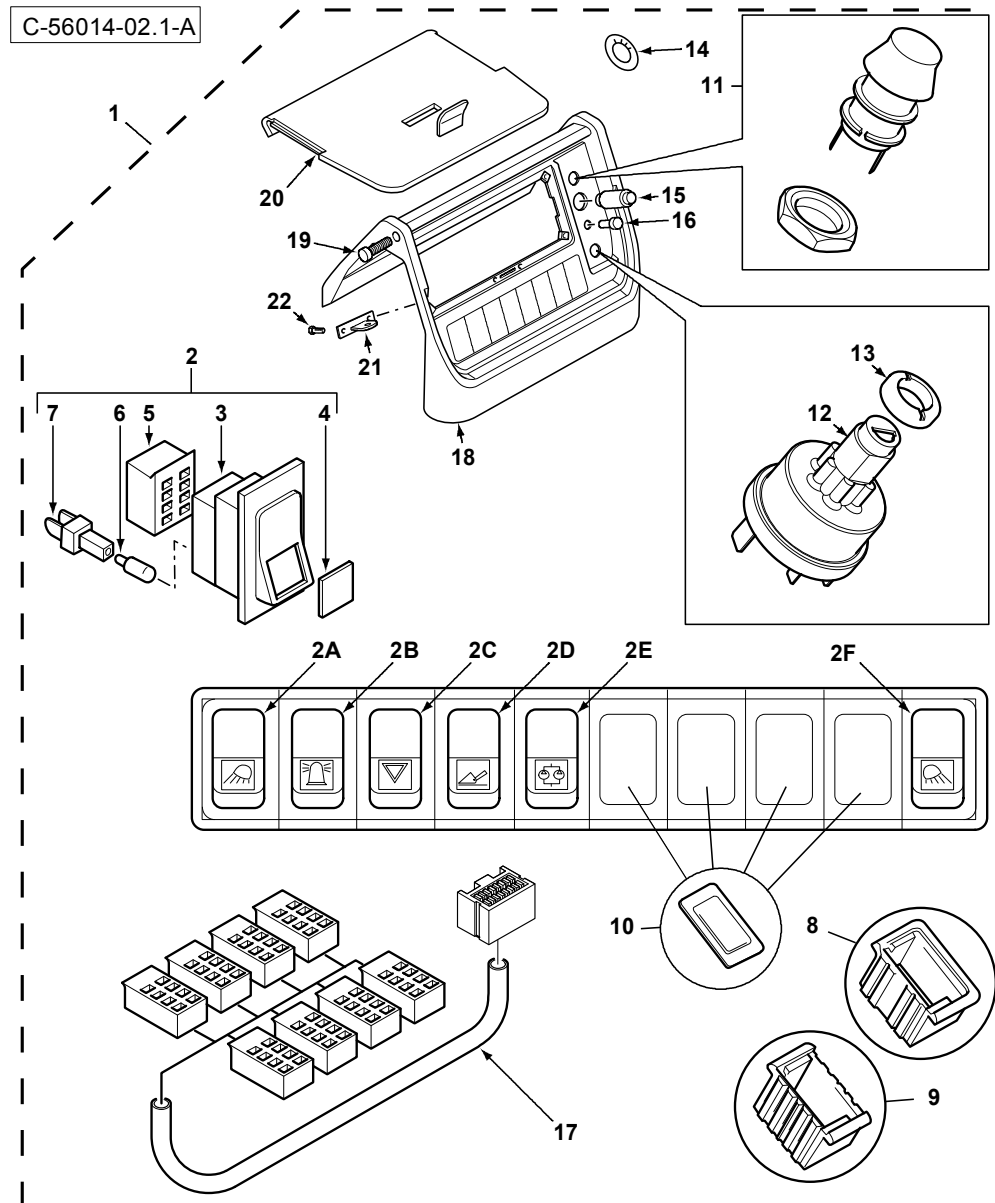
Item	Part No.	Qty.	English	French	German	Spanish	Remarks
1	6110294M92	1	Console-Cm Side	Console-Cm Side	Console-Cm Side	Console-Cm Side	
2	6108229M92	1	Console, Side, R/H - 4 Post ROPS	Console	Konsole	Consola	
3	6108228M91	1	Loader Tower Assy. - 4 Post ROPS	Ensemble De Support	Haltevorrichtung Kpl.	Apoyadero, Conj.	
4	6108721M1	1	Seal Foam	Joint	Dichtung	Junta	
5	6108720M1	1	Seal Foam	Joint	Dichtung	Junta	
6	6108719M1	1	Seal Foam	Joint	Dichtung	Junta	
7	339123X1	13	Bolt M8-20 Z5f	Boulon M8 X 20	Maschschraube M8	Perno	
8	390972X1	13	Washer M8-17-1 Zwel	Rondelle M8	Scheibe - M8	Arandela	
9	6108722M1	1	Seal Foam	Joint	Dichtung	Junta	
10	6108739M1	1	Gasket-Foam Seal	Joint	Dichtring	Junta	
11	6108738M1	1	Gasket-Foam Seal	Joint	Dichtring	Junta	
12	6108740M1	1	Gasket-Foam Seal	Joint	Dichtring	Junta	
13	6108205M2	1	Cover, Pcb - 4 Post ROPS	Cache	Abdeckung	Tapa	
14	6111766M3	1	Decal-Relay/Fuse Board	Decalcomanie	Aufkleber	Calcomania	
15	6108732M1	1	Strip-Rubber Edge X 195	Bande D'Étanchéité	Dichtstreifen	Banda Estanqueidad	
16	#FUSE/RELAY BOARD	1	Fuse/Relay Board	Fuse/Relay Board	Fuse/Relay Board	Fuse/Relay Board	56014c03.1 1
17	6102985M1	0	Cable Tie Fir Tree	Attache Câble	Kabelbinder	Enlace De Cable	
18	6108733M1	2	Strip-Rubber Edge X 100	Bande D'Étanchéité	Dichtstreifen	Banda Estanqueidad	
19	6108881M1	1	Seal-Foam	Mousse	Schaumstoff	Espuma	
20	385427X1	2	Bolt-M6x16 Rd HD Sq Neck	Goupille	Bolzen	Tornillo	
21	339375X1	2	Washer M6 Lock Z	Rondelle De Blocage	Sicherungsscheibe	Arandela De Freno	
22	339030X1	2	Nut M6 Z5 Norm	Ecrou	Mutter - M6	Tuerca	
23	3512494M1	2	Screw M6 X 12	Vis	Schraube	Tornillo	
24	6108186M2	1	Instrument Panel - 4 Post ROPS	Tableau De Bord	Brett, Armaturen	Tablero Instrumentos	56014c02.1 18
25	6108517M1	1	Plate Instrument Pack	Plaque	Platte	Placa	
26	6109560M1	4	Screw-Black #8 Pan HD	Vis	Schraube	Tornillo	
27	6101590M1	4	Nut "U" M4	Ecrou	Mutter	Tuerca En U	
28	3005606X1	2	Screw-M4x6 Hex Socket Set	Vis	Schraube	Tornillo De Ajuste	
29	3009659X1	1	Screw Csk M4 X 20	Vis	Schraube	Tornillo	Ec04/246
30	6108759M2	1	Magnet, Potentiometer - Side Console	Aimant	Magnet	Imán	Ec04/246





Item	Part No.	Qty.	English	French	German	Spanish	Remarks
31	3019139X1	1	Nut M4 Nylock	Ecrou	Mutter	Tuerca	Ec04/246
32	6110593M1	1	Buffer - Rubber	Butoir	Puffer	Montaje De Caucho	Ec04/246
33	390971X1	1	Washer M6-12-1 Zwl	Rondelle - M6	Scheibe - M6	Arandela	Ec04/246
34	1441500X1	1	Nut M6 Z5 Nyloc	Ecrou	Flachmutter M6	Tuerca De Retención	Ec04/246
35	6110487M91	1	Instrument Cluster - ROPS	Groupe D'Instr. De Bord	Instrument	Grupo Instrs. Abordo	
36	6108776M91	1	Harness-Inst. Pack	Ensemble De Faisceau	Kabelstrang Kpl.	Haz, Conj.	Instrument Pack
37	6110205M91	1	Harness - Ignition	Faisceau	Kabelstrang	Haz, Conj.	Ignition - Ec06/167
38	6110205M92	1	Harness - Ignition	Faisceau	Beschirung	Haz, Conj.	Ec06/167 Ec07/407
39	6110205M93	1	Harness - Ignition	Faisceau	Kabelstrang	Haz, Conj.	Ec07/407
40	6108750M2	1	Plate, Switch Support - 4 Post ROPS	Plaque	Platte	Placa	

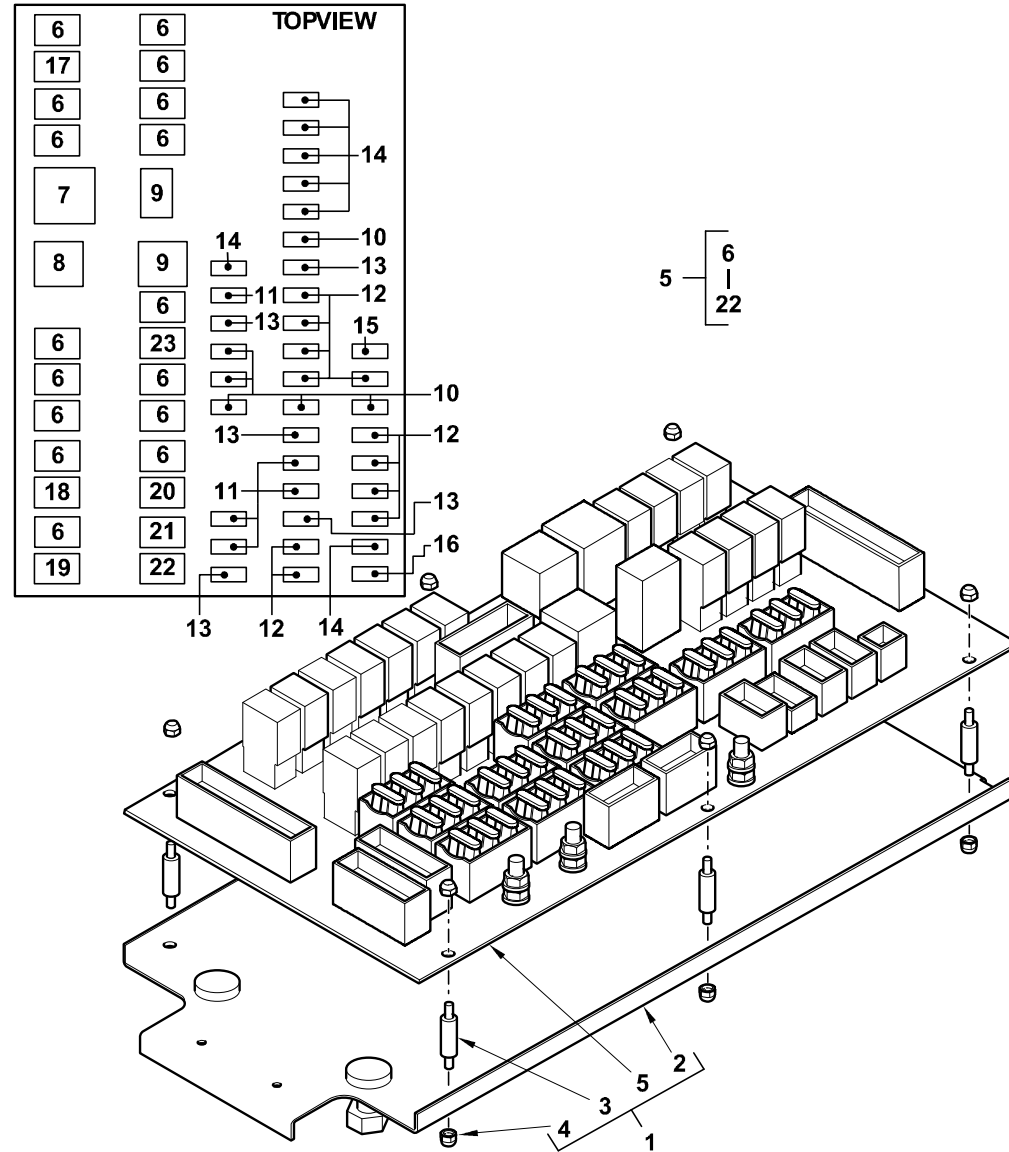




Item	Part No.	Qty.	English	French	German	Spanish	Remarks
1	6110294M91	1	Console RH - 4 Post ROPS Cm	Console	Konsole	Consola	Continued
5	#HOUSING	4	Housing	Carter	Gehäuse	Alojamiento	Ref. 2
6	3523562M1	4	Bulb, 12 Volt, 1.2 Watt, Capless	Ampoule 12v 1.2w	Glühl 12v 1.2w	Lámpara	
7	#HOLDER	1	Holder	Holder	Holder	Holder	Ref. 2
8	3516004M1	2	Surround End Switch	Ceinture	Einfassung	Envolvente	
9	3516003M1	8	Surround Switch	Ceinture	Einfassung	Envolvente	
10	1469751M1	4	Cover Switch Blank	Cache	Abdeckung	Tapa	
11	3516093M91	1	Button Horn 1690101m91	Commutateur Ass.	Schalter Kplt	Botón	
12	6101809M91	1	Switch Assy Ignition	Commutateur Ass.	Schalter Kplt	Conmutador, Arranq.	
13	6101930M1	1	Nut-Bezel - Ignition Switch H	Monture	Lampenring	Bisel	
14	6110250M2	1	Decal - Ignition	Decalcomanie	Aufkleber	Adhesivo	
15	3517053M91	1	Lighter Cigar	Allume-Cigares	Zigarettenanzünder	Encendedor De Cig.	
16	1473135M1	1	Plug Blanking	Obturateur	Verschlussstopfen	Tapón	
17	6111105M91	1	Harness - Switch Mechanical	Faisceau	Beschirring	Haz, Conj.	Ec06/167
17	6108775M93	1	Switch Harness Mechanical	Ensemble De Faisceau	Kabelstrang Kpl.	Haz, Conj.	Ec06/167
18	6108186M2	1	Instrument Panel - 4 Post ROPS	Tableau De Bord	Brett, Armaturen	Tablero Instrumentos	56014c01.1 27
19	6108521M1	2	Pin	Axe	Bolzen	Pasador	
20	6108520M92	1	Cover Assy Vandal	Cache	Abdeckung	Tapa, Conj.	
21	6108533M92	1	Hasp Padlock	Plaque D'Arrêt	Sicherungsblech	Placa De Bloqueo	
22	3512552M1	2	Screw Pan Hd.M5 X 12	Vis	Schraube	Tornillo	



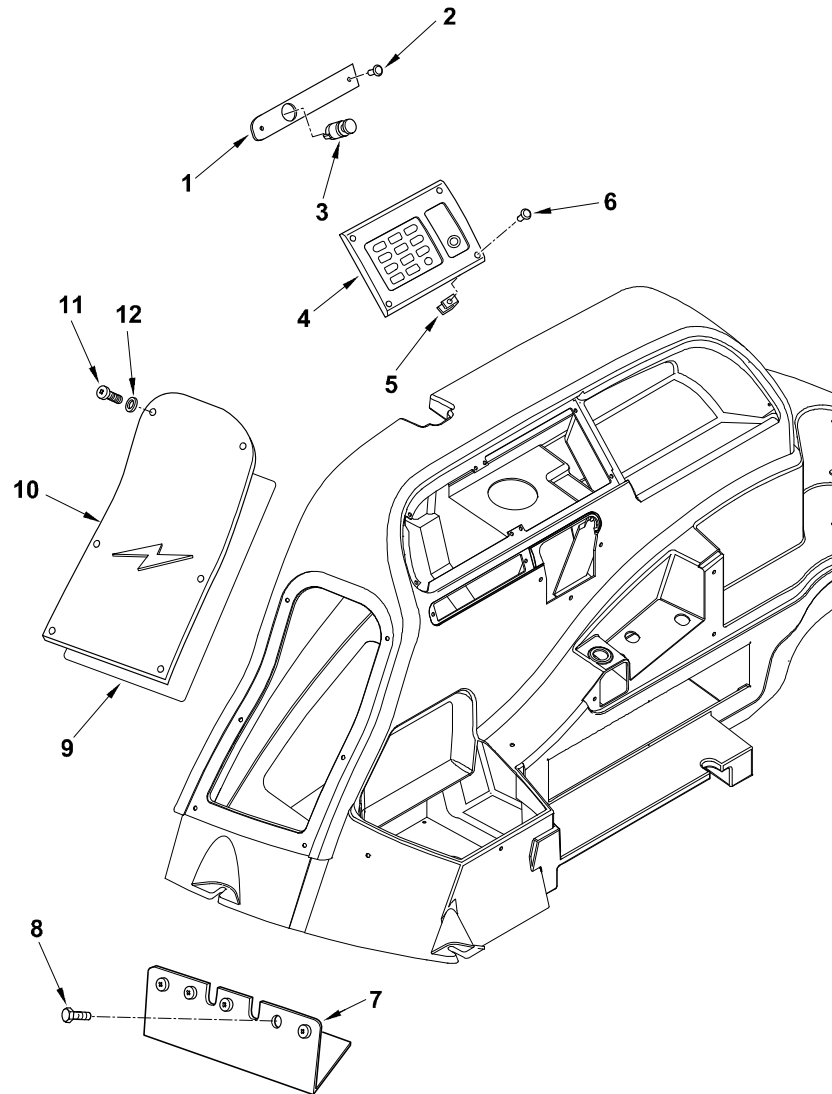
C-56014-03.1-D



Item	Part No.	Qty.	English	French	German	Spanish	Remarks
1	6108707M93	1	Board-Relay/Fuse Assy	Tableau Fusible/Relais	Sicherung / Relaiskarte	Tablero Fusibles/Reles	
2	#PLATE	1	Plate	Plaque	Platte	Plato	Ref.1
3	6102558M1	8	Pillar Nylon	Support De Tableau	Armaturenbretthalter	Soporte De Panel	
4	3009074X1	16	Nut Nyloc M4	Ecrou	Mutter	Tuerca De Retención	
5	#FUSE/RELAY BOARD	1	Fuse/Relay Board	Fuse/Relay Board	Fuse/Relay Board	Fuse/Relay Board	Ref.1
6	6102490M1	16	Relay-Micro	Relais	Relais	Relé	Micro
7	6108737M1	1	Flasher Unit Relay 12v	Relais Clignot.	Blinkgeber	Rele	Flasher Unit
8	6102648M1	1	Relay-Hazard	Relais	Relais	Relé	Hazard
9	6102496M1	2	Relay-Mini	Relais	Relais	Relé	Mini
10	6108756M1	6	Ato Automotive Fuse 3a 32vdc	Fusible	Sicherung	Fusible	
11	6108757M1	6	Ato Automotive Fuse 5a 32vdc	Fusible - 5a	Sicherung - 5a	Fusible	
12	6108754M1	11	Ato Automotive Fuse 7.5a 32vdc	Fusible	Sicherung	Fusible	
13	3523568M1	6	Fuse, Standard - 10 Amp., Red	Fusible	Sicherung	Fusible	Ec06/225
13	3523568M1	5	Fuse, Standard - 10 Amp., Red	Fusible	Sicherung	Fusible	Ec06/225
14	3523569M1	7	Fuse, Standard - 15 Amp., Blue	Fusible	Sicherung	Fusible	Ec05/215 Ec06/225
14	3523569M1	7	Fuse, Standard - 15 Amp., Blue	Fusible	Sicherung	Fusible	Ec05/215
14	3523569M1	6	Fuse, Standard - 15 Amp., Blue	Fusible	Sicherung	Fusible	Ec06/225
15	3523570M1	1	Fuse, Standard - 20 Amp., Yellow	Fusible	Sicherung	Fusible	Ec05/215
16	3523571M1	1	Fuse, Standard - 25 Amp., Clear	Fusible	Sicherung, 25a	Fusible	
17	#RELAY	1	Relay	Relay	Relay	Relay	Hose Burst
18	#RELAY	1	Relay	Relay	Relay	Relay	Loader Q/Attach
19	#RELAY	1	Relay	Relay	Relay	Relay	Digger Q/Attach
20	#RELAY	1	Relay	Relay	Relay	Relay	4wd
21	#RELAY	1	Relay	Relay	Relay	Relay	Ride Control
22	#RELAY	1	Relay	Relay	Relay	Relay	Hose Burst
23	6114405M1	1	Relay - Micro Diode	Relais	Relais	Rele	

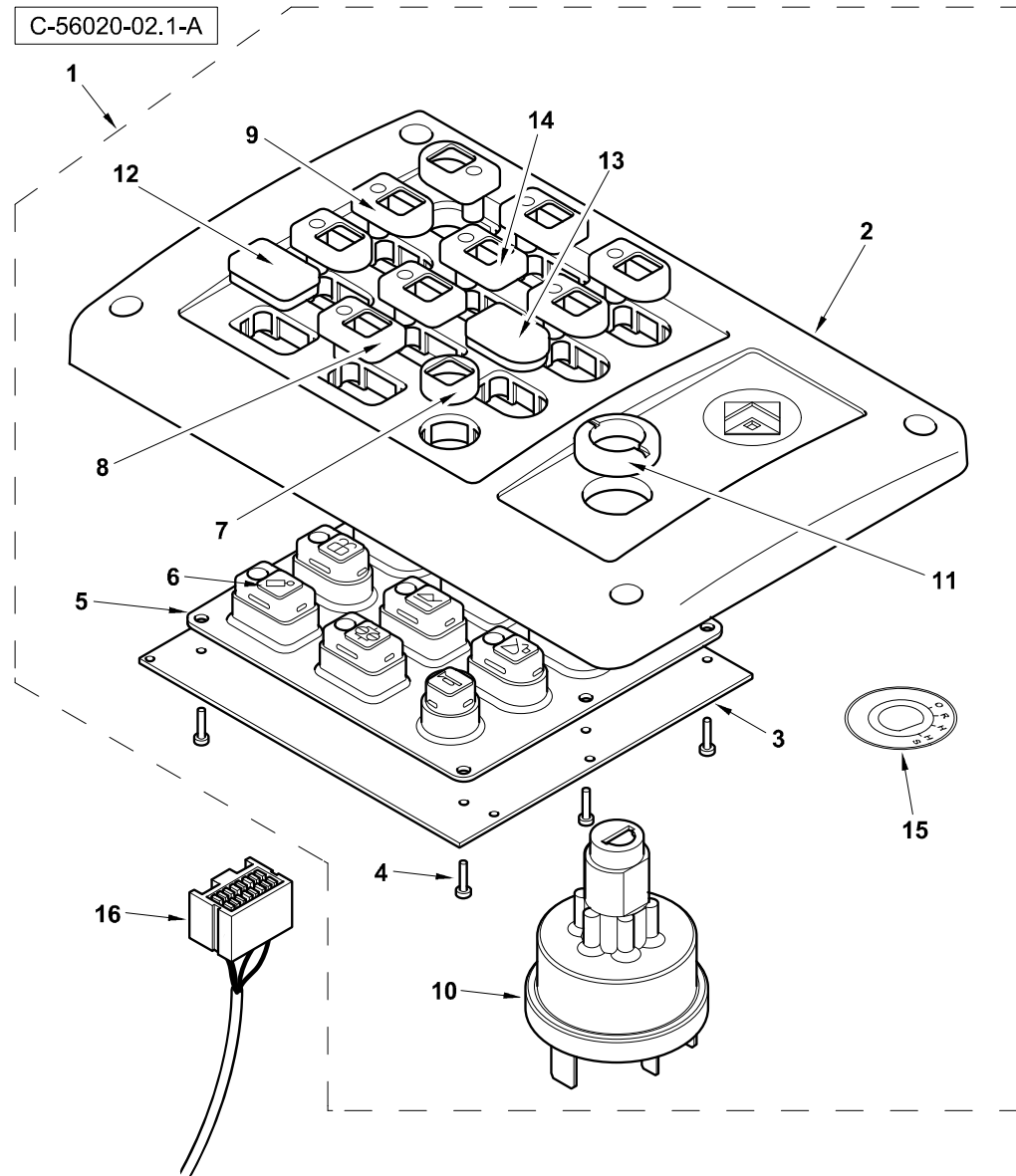


C-56020-01.1-A



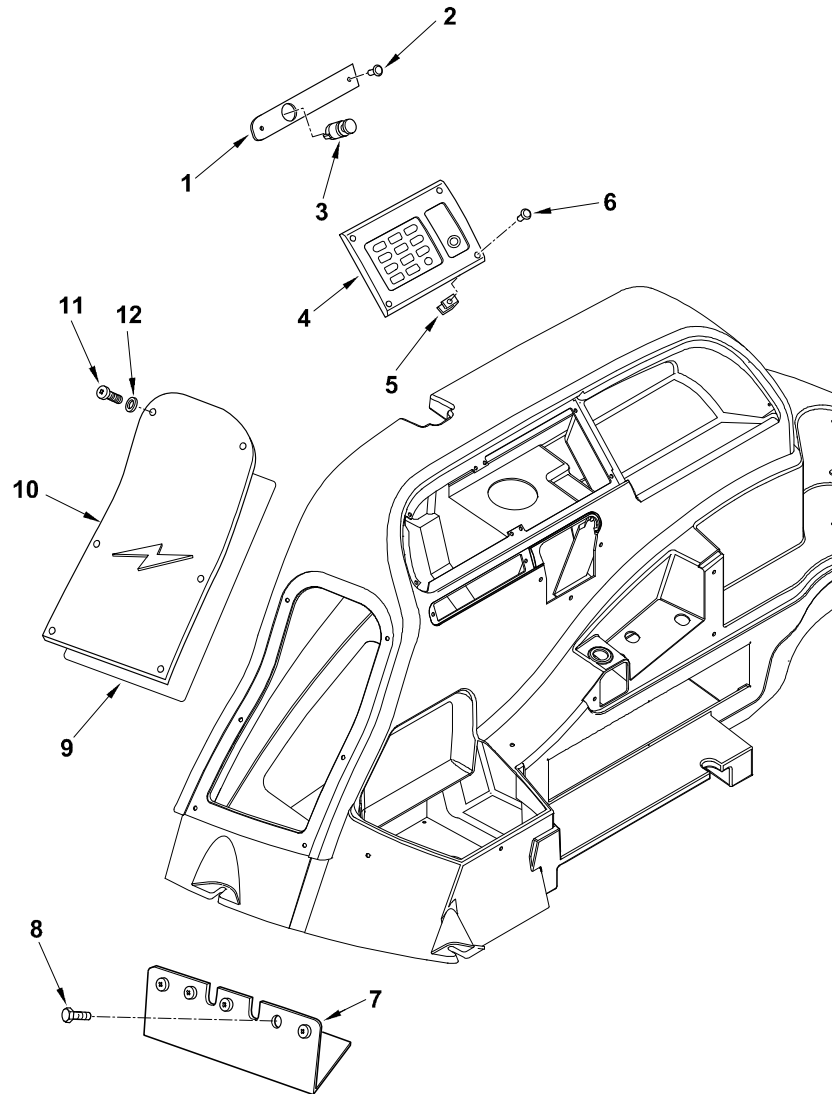
Item	Part No.	Qty.	English	French	German	Spanish	Remarks
1	6101153M2	1	Plate-Switch-Auxiliary	Plaque	Platte	Placa	
2	365915X1	2	Screw- No 6 X 16 Lg (Iso 8.8) Zinc	Vis	Schraube	Tornillo	
3	3517053M91	1	Lighter Cigar	Allume-Cigares	Zigarettenanzünder	Encendedor De Cig.	
4	T101139	1	Switchpack Side Console (Black)	Paquet De Commut.	Schaltsatz	Paquete De Cambio	
5	6101590M2	6	U-Nut No.8	U-Nut No.8	U-Nut No.8	U-Nut No.8	
6	365919X1	6	Screw, Pan Head - No. 8 X 16mm	Vis	Schraube	Tornillo	
7	6110203M2	1	Bracket - Relay	Patte Fixation	Halter	Pata De Fijación	
8	1472524M2	6	Screw 10-0.62 Ncb1 Pan	Vis	Schraube	Tornillo	
9	6111766M3	1	Decal-Relay/Fuse Board	Decalcomanie	Aufkleber	Calcomania	
10	6102584M91	1	Cover Assy Fusebox	Cache	Abdeckung	Tapa, Conj.	
11	6110701M1	6	Screw M5 X 25 Lg - Pan Head	Vis	Schraube	Tornillo	
12	3512553M1	6	Washer Large M5	Rondelle - M5	Scheibe - M5	Arandela	





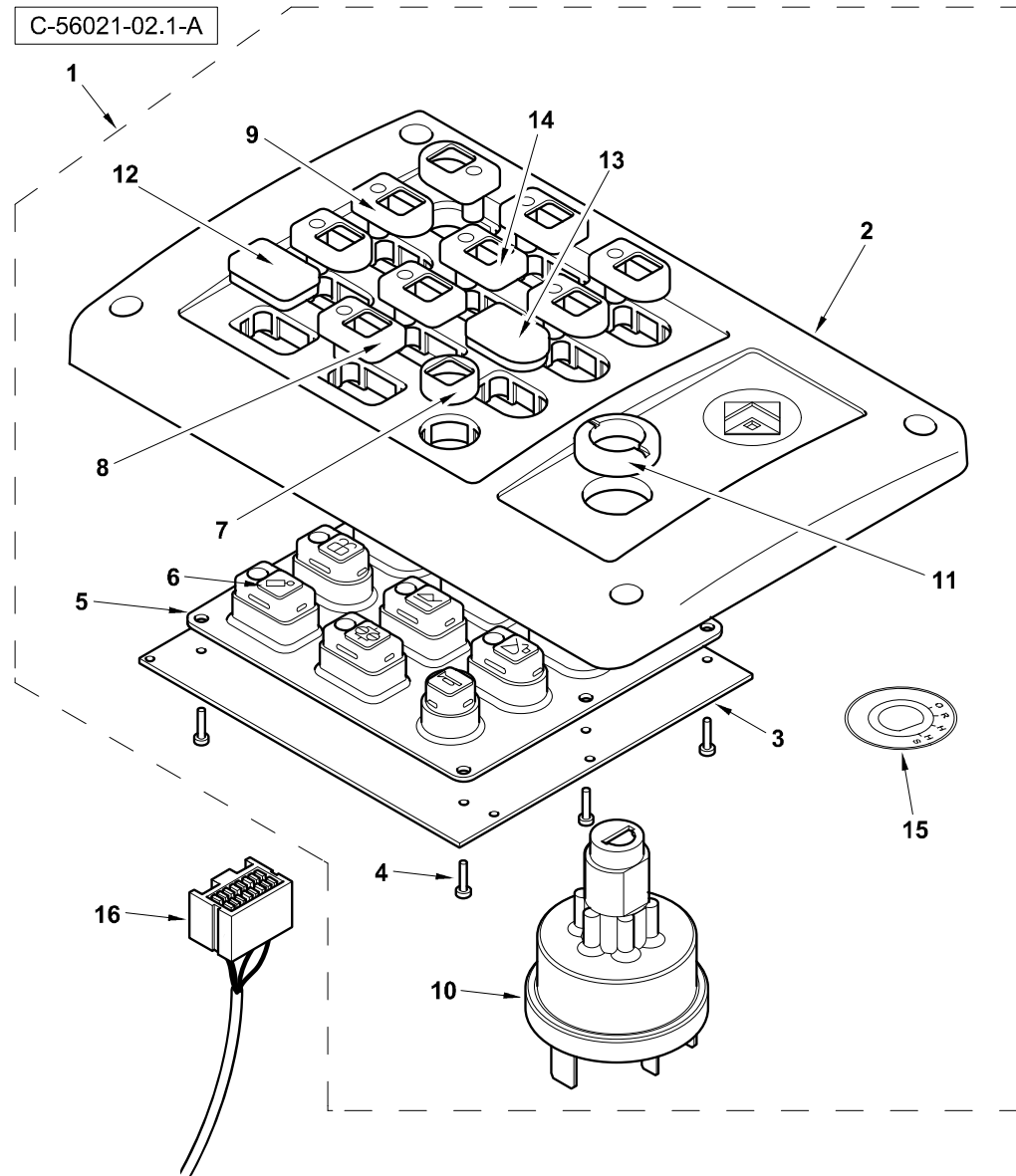
Item	Part No.	Qty.	English	French	German	Spanish	Remarks
1	T101139	1	Switchpack Side Console (Black)	Paquet De Commut.	Schaltsatz	Paquete De Cambio	
2	T101137	1	Switchpack Moulding	Switchpack Moulding	Switchpack Moulding	Switchpack Moulding	
3	6108667M91	1	Pcb-Side Console	Pcb-Side Console	Pcb-Side Console	Pcb-Side Console	
4	6101855M1	10	Screw-Tapping-Self	Screw-Tapping-Self	Screw-Tapping-Self	Screw-Tapping-Self	
5	6102477M1	1	Screenprint Ss Mechanical	Screenprint Ss Mechanical	Screenprint Ss Mechanical	Screenprint Ss Mechanical	
6	#DECAL	1	Decal	Decal	Decal	Decal	
7	6101801M1	1	Cover-Button Round	Cache	Abdeckung	Botón	
8	6101796M91	3	Cover Assy. - Switch Operating	Cache	Abdeckung	Botón	
9	6101777M91	5	Cover Assy. - Switch Operating	Cache	Abdeckung	Tapa	
10	6101809M91	1	Switch Assy Ignition	Commutateur Ass.	Schalter Kplt	Conmutador, Arranq.	
11	6101930M1	1	Nut-Bezel - Ignition Switch H	Monture	Lampenring	Bisel	
12	T101138	1	Blank Cap (Black)	Bouton	Knopftaste	Pulsador	
13	T101131	1	Switch Blank (Black)	Couvercle	Deckel	Cubierta	
14	6102603M91	1	Cover-Switch Rectangular	Cache	Abdeckung	Botón	
15	6110250M2	1	Decal - Ignition	Decalcomanie	Aufkleber	Adhesivo	
16	6102300M91	1	Harness-Switchpack-Mechanical	Ensemble De Faisceau	Kabelstrang Kpl.	Haz, Conj.	

C-56021-01.1-A



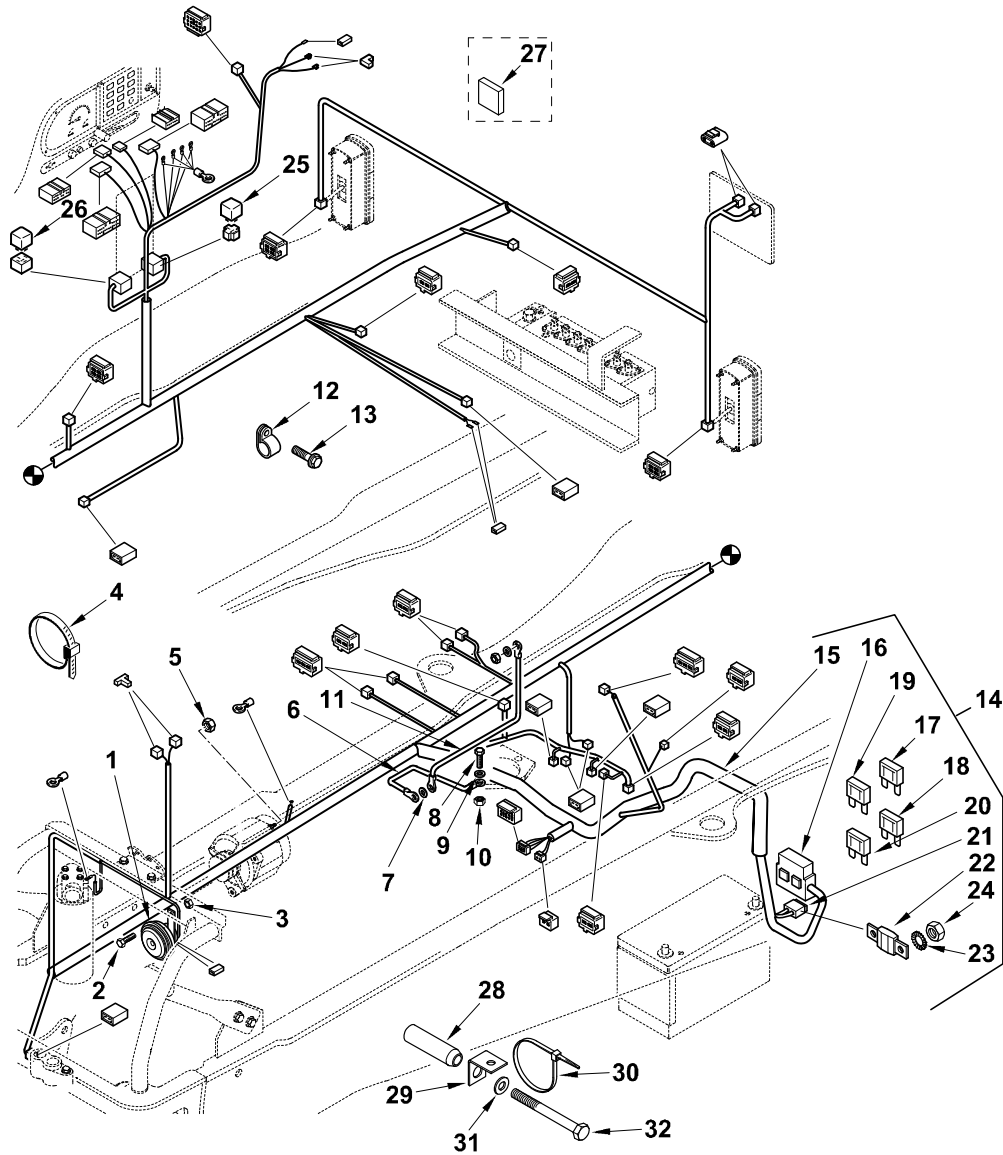
Item	Part No.	Qty.	English	French	German	Spanish	Remarks
1	6101153M2	1	Plate-Switch-Auxiliary	Plaque	Platte	Placa	
2	365915X1	2	Screw- No 6 X 16 Lg (Iso 8.8) Zinc	Vis	Schraube	Tornillo	
3	3517053M91	1	Lighter Cigar	Allume-Cigares	Zigarettenanzünder	Encendedor De Cig.	
4	T101136	1	Switchpack Side Console C/M - (Black)	Paquet De Commut.	Schaltsatz	Paquete De Cambio	
5	6101590M2	6	U-Nut No.8	U-Nut No.8	U-Nut No.8	U-Nut No.8	
6	365919X1	6	Screw, Pan Head - No. 8 X 16mm	Vis	Schraube	Tornillo	
7	6110203M2	1	Bracket - Relay	Patte Fixation	Halter	Pata De Fijación	
8	1472524M2	6	Screw 10-0.62 Ncb1 Pan	Vis	Schraube	Tornillo	
9	6111766M3	1	Decal-Relay/Fuse Board	Decalcomanie	Aufkleber	Calcomania	
10	6102584M91	1	Cover Assy Fusebox	Cache	Abdeckung	Tapa, Conj.	
11	6110701M1	6	Screw M5 X 25 Lg - Pan Head	Vis	Schraube	Tornillo	
12	3512553M1	6	Washer Large M5	Rondelle - M5	Scheibe - M5	Arandela	





Item	Part No.	Qty.	English	French	German	Spanish	Remarks
1	T101136	1	Switchpack Side Console C/M - (Black)	Paquet De Commut.	Schaltsatz	Paquete De Cambio	
2	T101137	1	Switchpack Moulding	Switchpack Moulding	Switchpack Moulding	Switchpack Moulding	
3	6108661M93	1	Pcb-Side Console	Pcb-Side Console	Pcb-Side Console	Pcb-Side Console	
4	6101855M1	10	Screw-Tapping-Self	Screw-Tapping-Self	Screw-Tapping-Self	Screw-Tapping-Self	
5	6102478M1	1	Screenprint Cm Mechanical	Screenprint Cm Mechanical	Screenprint Cm Mechanical	Screenprint Cm Mechanical	
6	#DECAL	1	Decal	Decal	Decal	Decal	
7	6101801M1	1	Cover-Button Round	Cache	Abdeckung	Botón	
8	6101796M91	3	Cover Assy. - Switch Operating	Cache	Abdeckung	Botón	
9	6101777M91	5	Cover Assy. - Switch Operating	Cache	Abdeckung	Tapa	
10	6101809M91	1	Switch Assy Ignition	Commutateur Ass.	Schalter Kplt	Conmutador, Arranq.	
11	6101930M1	1	Nut-Bezel - Ignition Switch H	Monture	Lampenring	Bisel	
12	T101138	1	Blank Cap (Black)	Bouton	Knopftaste	Pulsador	
13	T101131	1	Switch Blank (Black)	Couvercle	Deckel	Cubierta	
14	6102603M91	1	Cover-Switch Rectangular	Cache	Abdeckung	Botón	
15	6110250M2	1	Decal - Ignition	Decalcomanie	Aufkleber	Adhesivo	
16	6102300M91	1	Harness-Switchpack-Mechanical	Ensemble De Faisceau	Kabelstrang Kpl.	Haz, Conj.	

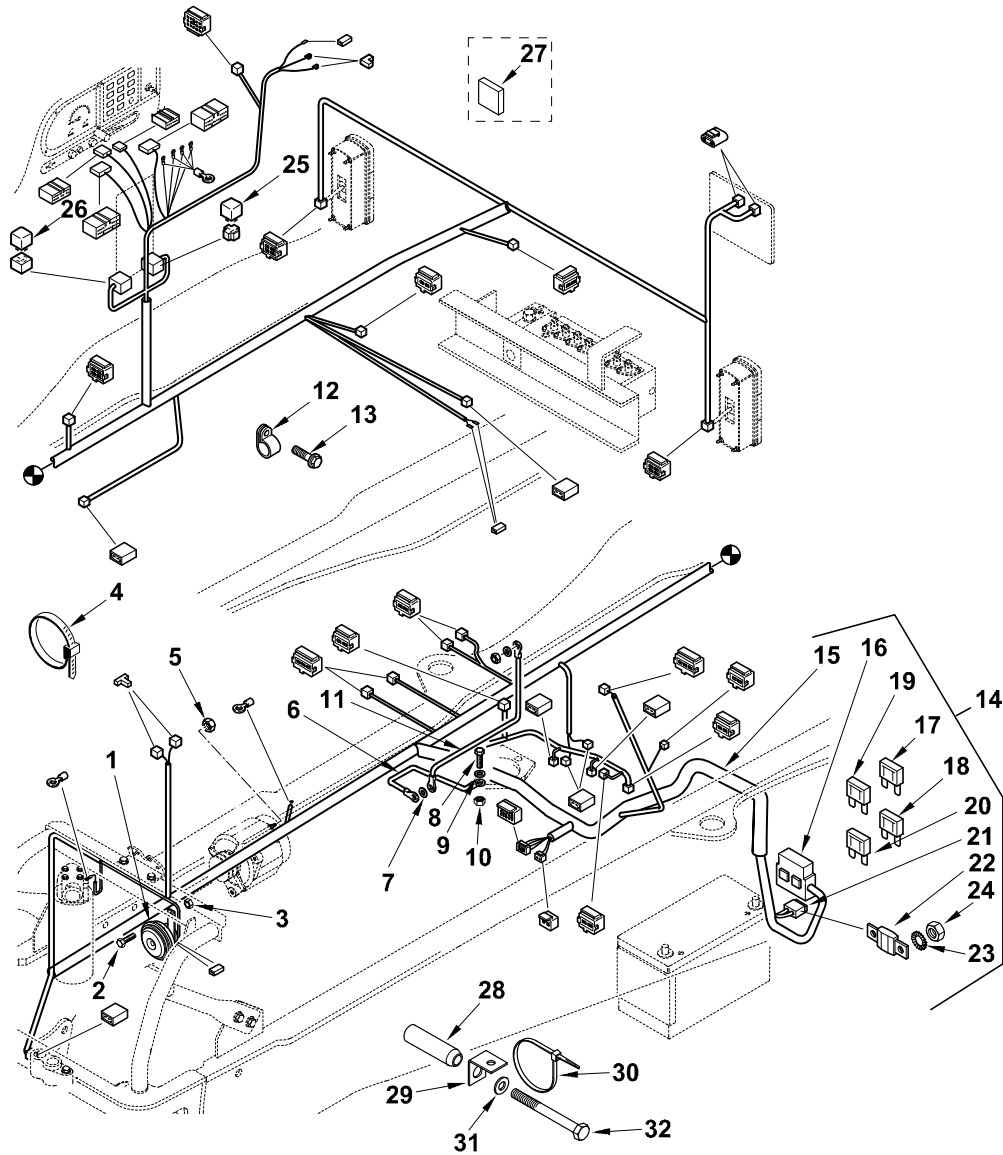
C-57014-01.1-D



Item	Part No.	Qty.	English	French	German	Spanish	Remarks
1	6108843M1	1	Horn Assy	Avertisseur	Hupe	Alarma Sonora	
2	339124X1	1	Bolt M8-16 Z5f	Goupille	Maschschrb Metr - M8	Tornillo	
3	394367X1	1	Nut, Hex. - Nyloc, M8	Ecrou Blocage M8	Flachmutter - M8	Tuerca De Retención	
4	1664405M1	7	Tie Mm T50s	Attache Cable	Kabelbinder	Enlace De Cable	
5	1441500X1	1	Nut M6 Z5 Nyloc	Ecrou	Flachmutter M6	Tuerca De Retención	
6	6101483M92	1	Earth Strap	Fil De Masse	Masseleitung	Cable De Masa	
7	390735X1	1	Washer M12-24-2 Z	Rondelle	Scheibe - M12	Arandela	
8	3009508X1	1	Bolt M12-40 Z5f	Goupille	Bolzen - M12 X 40	Tornillo	
9	390735X1	1	Washer M12-24-2 Z	Rondelle	Scheibe - M12	Arandela	
10	1440330X1	2	Nut Nyloc M12	Ecrou	Flachmutter M12	Tuerca	
11	6101483M92	1	Earth Strap	Fil De Masse	Masseleitung	Cable De Masa	
12	3522812M1	1	Clip Spring	Clip	Befestigungshalter	Brida De Fijación	
13	3009205X1	1	Bolt - Flange HD M10 X 20	Goupille	Bolzen	Perno	
14	6110570M94	1	Harness - Chassis Carraro 760/860	Faisceau	Kabelstrang	Arnes	
15	#HARNES	1	Harness	Harness	Harness	Harness	Ref. 14
16	#BOX, FUSE	1	Box, Fuse	Box, Fuse	Box, Fuse	Box, Fuse	Ref. 14
17	6102646M91	1	Fuse, Maxi - 80 Amp., Clear	Fusible	Sicherung	Fusible	
18	6102644M91	1	Fuse, Maxi - 20 Amp., Yellow (Pack Of 10)	Fusible	Sicherung	Fusible	
19	6102645M91	1	Fuse, Maxi - 40 Amp., Amber	Fusible	Sicherung	Fusible	
20	6102646M91	1	Fuse, Maxi - 80 Amp., Clear	Fusible	Sicherung	Fusible	
21	6194656M91	1	Holder - Fuse	Porte Fusible	Sicherungshalter	Caja De Fusibles	
22	6194498M1	1	Fuse Midival 125 Amp (Orange) Mta Supply	Fusible	Sicherung	Fusible	
23	3006155X1	2	Washer, Lock	Rondelle De Blocage	Sicherungsscheibe	Arandela De Freno	
24	390995X1	2	Nut M5 Z5 Norm	Ecrou	Mutter	Tuerca	
25	6110473M1	4	Relay - Mini	Relais	Relais	Relé	
26	6110516M1	2	Relay 70a Tyco No Bracket V7-11f11-S01	Relais	Relais	Relé	
27	6110700M91	1	Velco Strip 25x25	Bande D'Étanchéité	Streifen - Velcro	Banda Estanqueidad	
28	6101732M2	1	Spacer-Rear Fender	Entretoise	Distanzstück	Traviesa	
29	6109883M1	1	Bracket-Harness Transm	Patte Fixation	Halter	Pata De Fijación	
30	1664405M1	1	Tie Mm T50s	Attache Cable	Kabelbinder	Enlace De Cable	



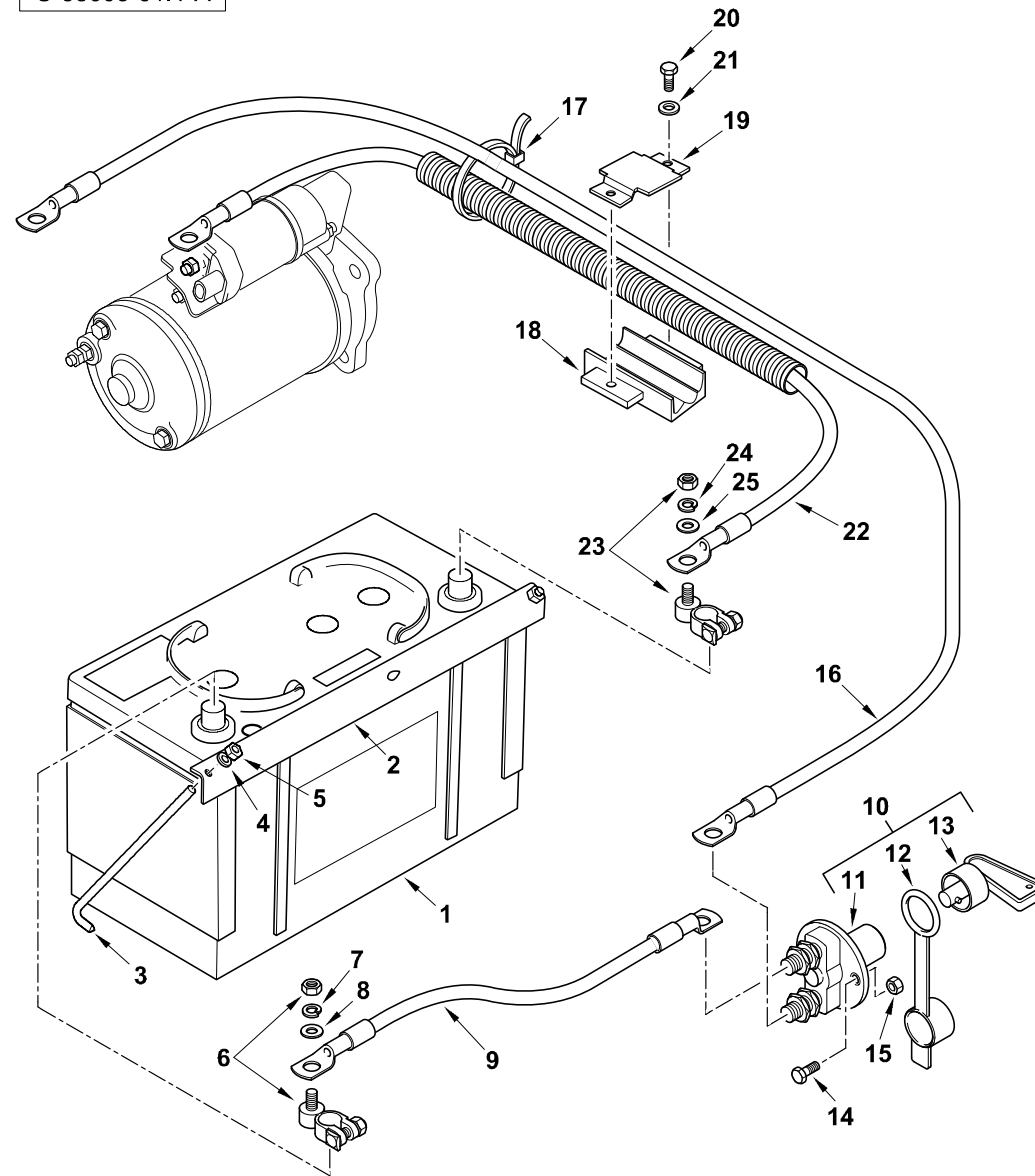
C-57014-01.1-D



Item	Part No.	Qty.	English	French	German	Spanish	Remarks
31	MS54-8A	1	Washer - M8 Nominal (Plain) Use 390972x1	Rondelle	Scheibe	Arandela	
32	339891X1	1	Bolt M8-80 Z5s	Boulon M8 X 80	Maschschraube M8	Tornillo	

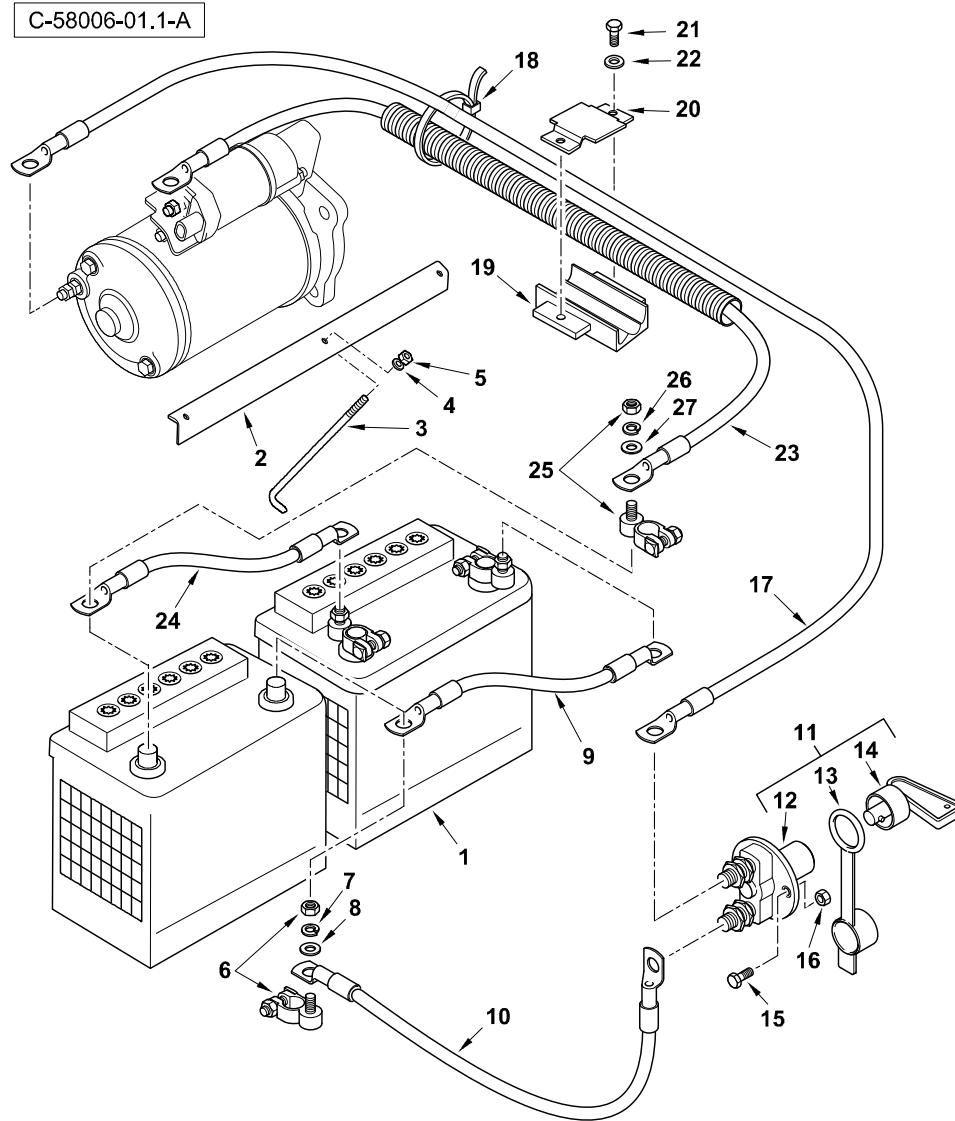


C-58005-01.1-A



Item	Part No.	Qty.	English	French	German	Spanish	Remarks
1	3507617M2	1	Battery Wet Single	Batterie	Batterie	Batería	
2	6109653M1	1	Clamp - Battery	Coin	Winkelplatte	Angulo	
3	3520251M1	2	Rod Battery Retainer	Tringle	Stange	Tirante	
4	390971X1	2	Washer M6-12-1 Zwl	Rondelle - M6	Scheibe - M6	Arandela	
5	1441500X1	2	Nut M6 Z5 Nyloc	Ecrou	Flachmutter M6	Tuerca De Retención	
6	6110532M1	1	Battery Term -Ive M8 X 17 Stud Bt461n	Collier De Serrage	Anschlussklemme Batt	Argolla De Cierre	
7	339374X1	1	Washer M8 -21-2 Z	Rondelle Frein - M8	Federring - M8	Arandela De Freno	
8	390972X1	1	Washer M8-17-1 Zwl	Rondelle M8	Scheibe - M8	Arandela	
9	6110527M1	1	Lead Battery - 40b 8r-8r 275	Câble	Batteriekabel	Cable	
10	6110534M91	1	Battery Isolator M8 Current Care 19-003	Isolateur	Trennschalter	Aislador	
11	#ISOLATOR	1	Isolator	Isolator	Isolator	Isolator	Ref. 10
12	#CAP	1	Cap	Chapeau	Kappe	Tapa	
13	#KEY	2	Key	Key	Key	Key	
14	339804X1	2	Bolt, Hex, - M6 X 25	Goupille	Maschschrb Metr - M6	Tornillo	
15	1441500X1	2	Nut M6 Z5 Nyloc	Ecrou	Flachmutter M6	Tuerca De Retención	
16	6110530M1	1	Lead - Battery B70 8r-8r 2000	Câble	Batteriekabel	Cable	
17	724497M1	5	Tie 380mm T120r	Attache Câble	Kabelbinder	Enlace De Cable	
18	6101682M3	1	Battery-Cable Clamp	Collier De Serrage	Kabelschelle	Argolla De Cierre	
19	6101683M3	1	Battery-Plate-Clamp	Plaque	Kabelschelle	Placa	
20	339124X1	2	Bolt M8-16 Z5f	Goupille	Maschschrb Metr - M8	Tornillo	
21	390972X1	2	Washer M8-17-1 Zwl	Rondelle M8	Scheibe - M8	Arandela	
22	6110531M1	1	Lead-Battery R70 8r-8r 2000 Covered 1800	Câble	Batteriekabel	Cable	
23	6110533M1	1	Battery Term +Ive M8 X 17mm Bt461p	Collier De Serrage	Anschlussklemme Bat	Argolla De Cierre	
24	339374X1	1	Washer M8 -21-2 Z	Rondelle Frein - M8	Federring - M8	Arandela De Freno	
25	390972X1	1	Washer M8-17-1 Zwl	Rondelle M8	Scheibe - M8	Arandela	

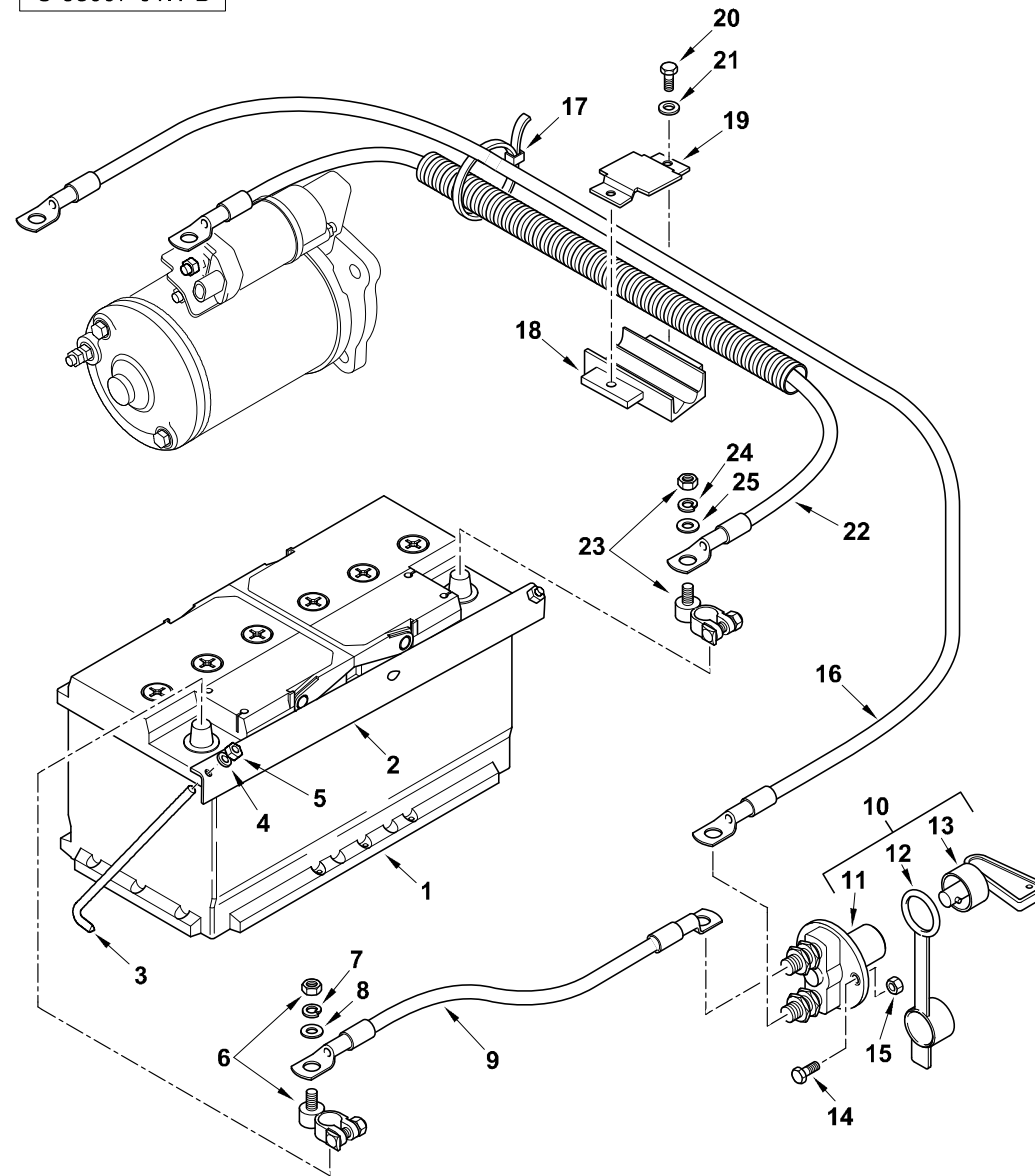




Item	Part No.	Qty.	English	French	German	Spanish	Remarks
1	3507616M2	2	Battery-Dual	Batterie	Batterie	Batería	
2	6109653M1	1	Clamp - Battery	Coin	Winkelplatte	Angulo	
3	6110490M1	1	Rod Battery Retainer	Tirant	Spannstange	Tirante	
4	390971X1	1	Washer M6-12-1 Zwel	Rondelle - M6	Scheibe - M6	Arandela	
5	1441500X1	1	Nut M6 Z5 Nyloc	Ecrou	Flachmutter M6	Tuerca De Retención	
6	6110532M1	2	Battery Term -Ive M8 X 17 Stud Bt461n	Collier De Serrage	Anschlussklemme Batt	Argolla De Cierre	
7	339374X1	2	Washer M8 -21-2 Z	Rondelle Frein - M8	Federring - M8	Arandela De Freno	
8	390972X1	2	Washer M8-17-1 Zwel	Rondelle M8	Scheibe - M8	Arandela	
9	6110527M1	1	Lead Battery - 40b 8r-8r 275	Câble	Batteriekabel	Cable	
10	6110527M1	1	Lead Battery - 40b 8r-8r 275	Câble	Batteriekabel	Cable	
11	6110534M91	1	Battery Isolator M8 Current Care 19-003	Isolateur	Trennschalter	Aislador	
12	#ISOLATOR	1	Isolator	Isolator	Isolator	Isolator	Ref. 11
13	#CAP	1	Cap	Chapeau	Kappe	Tapa	
14	#KEY	2	Key	Key	Key	Key	
15	339804X1	2	Bolt, Hex, - M6 X 25	Goupille	Maschschrb Metr - M6	Tornillo	
16	1441500X1	2	Nut M6 Z5 Nyloc	Ecrou	Flachmutter M6	Tuerca De Retención	
17	6110530M1	1	Lead - Battery B70 8r-8r 2000	Câble	Batteriekabel	Cable	
18	724497M1	5	Tie 380mm T120r	Attache Câble	Kabelbinder	Enlace De Cable	
19	6101682M3	1	Battery-Cable Clamp	Collier De Serrage	Kabelschelle	Argolla De Cierre	
20	6101683M3	1	Battery-Plate-Clamp	Plaque	Kabelschelle	Placa	
21	339124X1	2	Bolt M8-16 Z5f	Goupille	Maschschrb Metr - M8	Tornillo	
22	390972X1	2	Washer M8-17-1 Zwel	Rondelle M8	Scheibe - M8	Arandela	
23	6110531M1	1	Lead-Battery R70 8r-8r 2000 Covered 1800	Câble	Batteriekabel	Cable	
24	6110528M1	1	Battery Lead 40r 8r-8r 275	Câble	Batteriekabel	Cable	
25	6110533M1	2	Battery Term +Ive M8 X 17mm Bt461p	Collier De Serrage	Anschlussklemme Bat	Argolla De Cierre	
26	339374X1	2	Washer M8 -21-2 Z	Rondelle Frein - M8	Federring - M8	Arandela De Freno	
27	390972X1	2	Washer M8-17-1 Zwel	Rondelle M8	Scheibe - M8	Arandela	

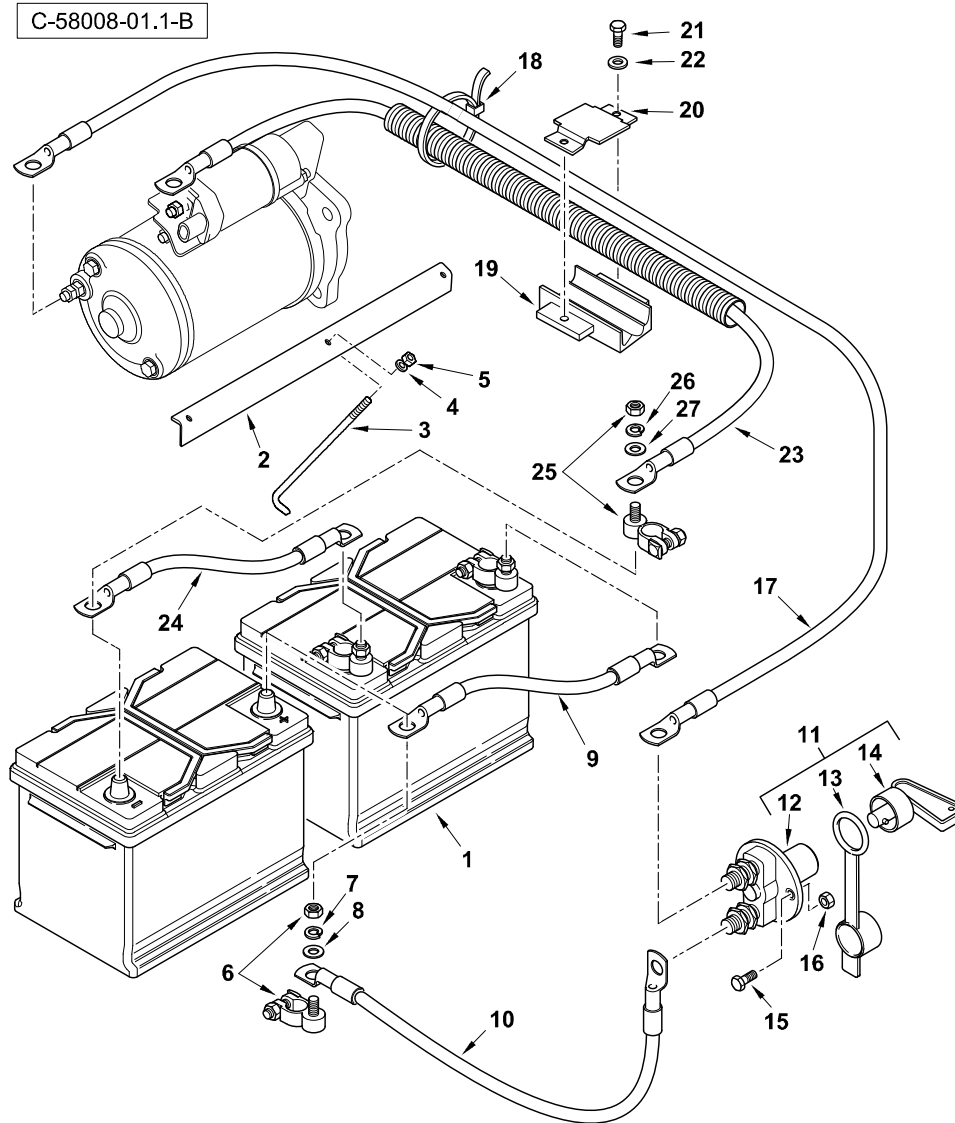


C-58007-01.1-B



Item	Part No.	Qty.	English	French	German	Spanish	Remarks
1	6114186M1	1	Battery Single 590034090/Sap929025	Battery Single 590034090/Sap929025	Battery Single 590034090/Sap929025	Battery Single 590034090/Sap929025	
2	6109653M1	1	Clamp - Battery	Coin	Winkelplatte	Angulo	
3	6114535M1	2	Battery Tie Rod - Short	Battery Tie Rod - Short	Battery Tie Rod - Short	Battery Tie Rod - Short	
4	390971X1	2	Washer M6-12-1 Zwl	Rondelle - M6	Scheibe - M6	Arandela	
5	1441500X1	2	Nut M6 Z5 Nyloc	Ecrou	Flachmutter M6	Tuerca De Retención	
6	6110532M1	1	Battery Term -Ive M8 X 17 Stud Bt461n	Collier De Serrage	Anschlussklemme Batt	Argolla De Cierre	
7	339374X1	1	Washer M8 -21-2 Z	Rondelle Frein - M8	Federring - M8	Arandela De Freno	
8	390972X1	1	Washer M8-17-1 Zwl	Rondelle M8	Scheibe - M8	Arandela	
9	6110527M1	1	Lead Battery - 40b 8r-8r 275	Câble	Batteriekabel	Cable	
10	6114367M91	1	Battery Isolator Switch	Interrupteur	Schalter	Interruptor	
11	#ISOLATOR	1	Isolator	Isolator	Isolator	Isolator	Ref. 10
12	#CAP	1	Cap	Chapeau	Kappe	Tapa	
13	#KEY	2	Key	Key	Key	Key	
14	339804X1	2	Bolt, Hex, - M6 X 25	Goupille	Maschschrb Metr - M6	Tornillo	
15	1441500X1	2	Nut M6 Z5 Nyloc	Ecrou	Flachmutter M6	Tuerca De Retención	
16	6114253M1	1	Battery Cable Starter -Ve T3	Câble	Kabel	Cable	
17	724497M1	5	Tie 380mm T120r	Attache Câble	Kabelbinder	Enlace De Cable	
18	6101682M3	1	Battery-Cable Clamp	Collier De Serrage	Kabelschelle	Argolla De Cierre	
19	6101683M3	1	Battery-Plate-Clamp	Plaque	Kabelschelle	Placa	
20	339124X1	2	Bolt M8-16 Z5f	Goupille	Maschschrb Metr - M8	Tornillo	
21	390972X1	2	Washer M8-17-1 Zwl	Rondelle M8	Scheibe - M8	Arandela	
22	6114252M1	1	Battery Cable Starter +Ve T3	Câble	Kabel	Cable	
23	6110533M1	1	Battery Term +Ive M8 X 17mm Bt461p	Collier De Serrage	Anschlussklemme Bat	Argolla De Cierre	
24	339374X1	1	Washer M8 -21-2 Z	Rondelle Frein - M8	Federring - M8	Arandela De Freno	
25	390972X1	1	Washer M8-17-1 Zwl	Rondelle M8	Scheibe - M8	Arandela	

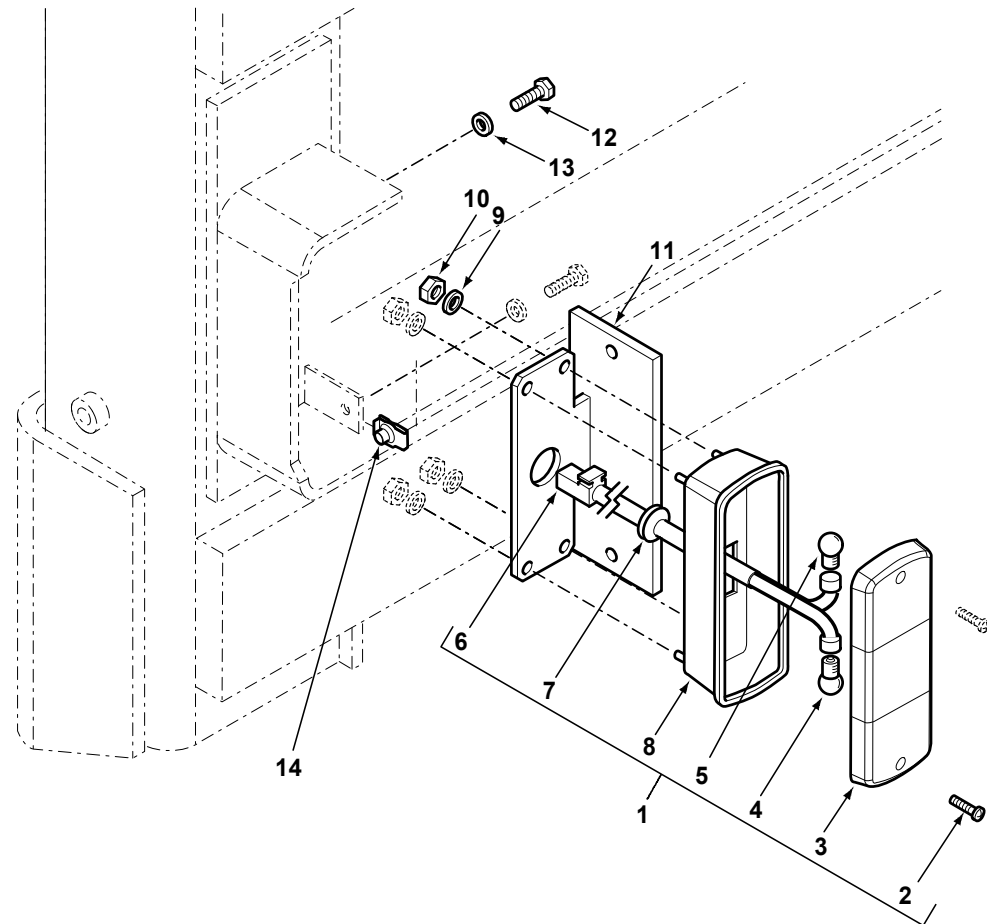




Item	Part No.	Qty.	English	French	German	Spanish	Remarks
1	6114189M1	2	Battery Dual 570413063/Sap533091	Battery Dual 570413063/Sap533091	Battery Dual 570413063/Sap533091	Battery Dual 570413063/Sap533091	
2	6109653M1	1	Clamp - Battery	Coin	Winkelplatte	Angulo	
3	6114120M1	1	Battery Tie Rod - Long	Battery Tie Rod - Long	Battery Tie Rod - Long	Battery Tie Rod - Long	
4	390971X1	1	Washer M6-12-1 Zwel	Rondelle - M6	Scheibe - M6	Arandela	
5	1441500X1	1	Nut M6 Z5 Nyloc	Ecrou	Flachmutter M6	Tuerca De Retención	
6	6110532M1	2	Battery Term -Ive M8 X 17 Stud Bt461n	Collier De Serrage	Anschlussklemme Batt	Argolla De Cierre	
7	339374X1	2	Washer M8 -21-2 Z	Rondelle Frein - M8	Federring - M8	Arandela De Freno	
8	390972X1	2	Washer M8-17-1 Zwel	Rondelle M8	Scheibe - M8	Arandela	
9	6110527M1	1	Lead Battery - 40b 8r-8r 275	Câble	Batteriekabel	Cable	
10	6110527M1	1	Lead Battery - 40b 8r-8r 275	Câble	Batteriekabel	Cable	
11	6114367M91	1	Battery Isolator Switch	Interrupteur	Schalter	Interruptor	
12	#ISOLATOR	1	Isolator	Isolator	Isolator	Isolator	Ref. 11
13	#CAP	1	Cap	Chapeau	Kappe	Tapa	
14	#KEY	2	Key	Key	Key	Key	
15	339804X1	2	Bolt, Hex, - M6 X 25	Goupille	Maschschrb Metr - M6	Tornillo	
16	1441500X1	2	Nut M6 Z5 Nyloc	Ecrou	Flachmutter M6	Tuerca De Retención	
17	6114253M1	1	Battery Cable Starter -Ve T3	Câble	Kabel	Cable	
18	724497M1	5	Tie 380mm T120r	Attache Câble	Kabelbinder	Enlace De Cable	
19	6101682M3	1	Battery-Cable Clamp	Collier De Serrage	Kabelschelle	Argolla De Cierre	
20	6101683M3	1	Battery-Plate-Clamp	Plaque	Kabelschelle	Placa	
21	339124X1	2	Bolt M8-16 Z5f	Goupille	Maschschrb Metr - M8	Tornillo	
22	390972X1	2	Washer M8-17-1 Zwel	Rondelle M8	Scheibe - M8	Arandela	
23	6114252M1	1	Battery Cable Starter +Ve T3	Câble	Kabel	Cable	
24	6110528M1	1	Battery Lead 40r 8r-8r 275	Câble	Batteriekabel	Cable	
25	6110533M1	2	Battery Term +Ive M8 X 17mm Bt461p	Collier De Serrage	Anschlussklemme Bat	Argolla De Cierre	
26	339374X1	2	Washer M8 -21-2 Z	Rondelle Frein - M8	Federring - M8	Arandela De Freno	
27	390972X1	2	Washer M8-17-1 Zwel	Rondelle M8	Scheibe - M8	Arandela	

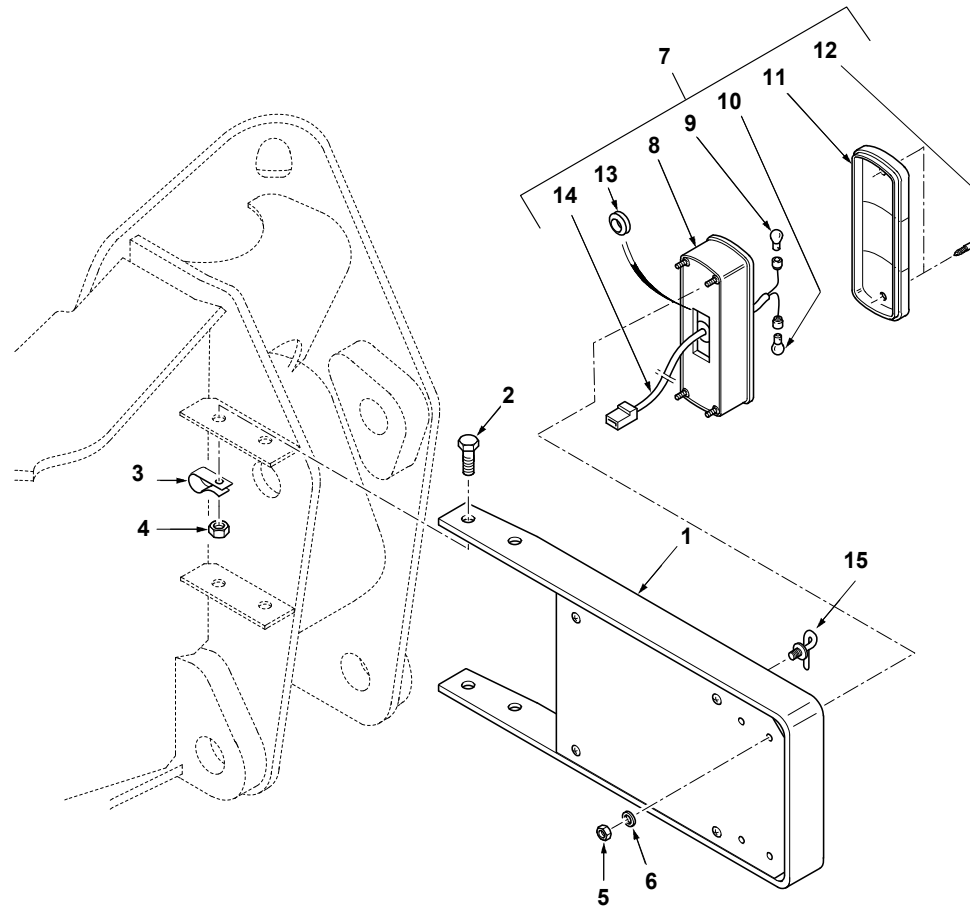


C-59001-01.1-A



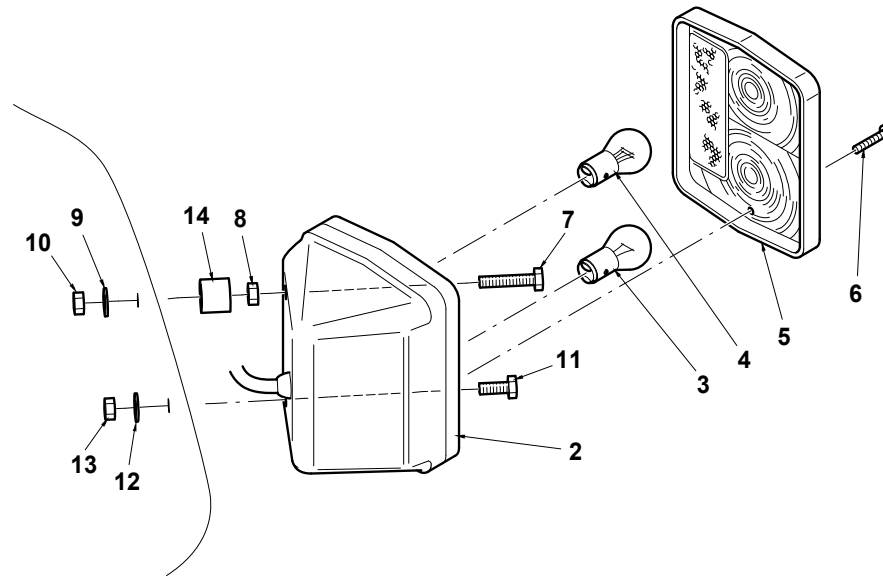
Item	Part No.	Qty.	English	French	German	Spanish	Remarks
1	6101410M91	2	Rear Light Assy	Feu Arrière	Rückleuchte	Luz Posterior	
2	#SCREW	2	Screw	Vis	Schraube	Tornillo	Ref. 1
3	6190744M1	1	Lens - Rear Light	Lentille	Streuscheibe	Lente	
4	3523688M1	1	Bulb-Rear Light	Lampe	Lampe	Lámpara	
5	3523687M1	1	Bulb-Rear Light	Lampe	Lampe	Lámpara	
6	#HARNES	1	Harness	Harness	Harness	Harness	Ref. 1
7	#GROMMET	1	Grommet	Grommet	Grommet	Grommet	Ref. 1
8	#BODY	1	Body	Body	Body	Body	Ref. 1
9	390469X1	8	Washer M5	Rondelle	Scheibe - M5	Arandela	
10	390995X1	8	Nut M5 Z5 Norm	Ecrou	Mutter	Tuerca	
11	6106809M92	2	Plate, Mounting - Rear Lights	Ensemble De Plaque	Platte Kpl.	Placa, Conj.	
12	339761X1	4	Bolt M8-25 Z5f	Goupille	Bolzen M8 X 25	Tornillo	
13	390972X1	4	Washer M8-17-1 Zwel	Rondelle M8	Scheibe - M8	Arandela	
14	6106899M1	4	Lug Nut M8	Ecrou	Mutter	Tuerca Con Horquilla	

C-59002-01.1-A



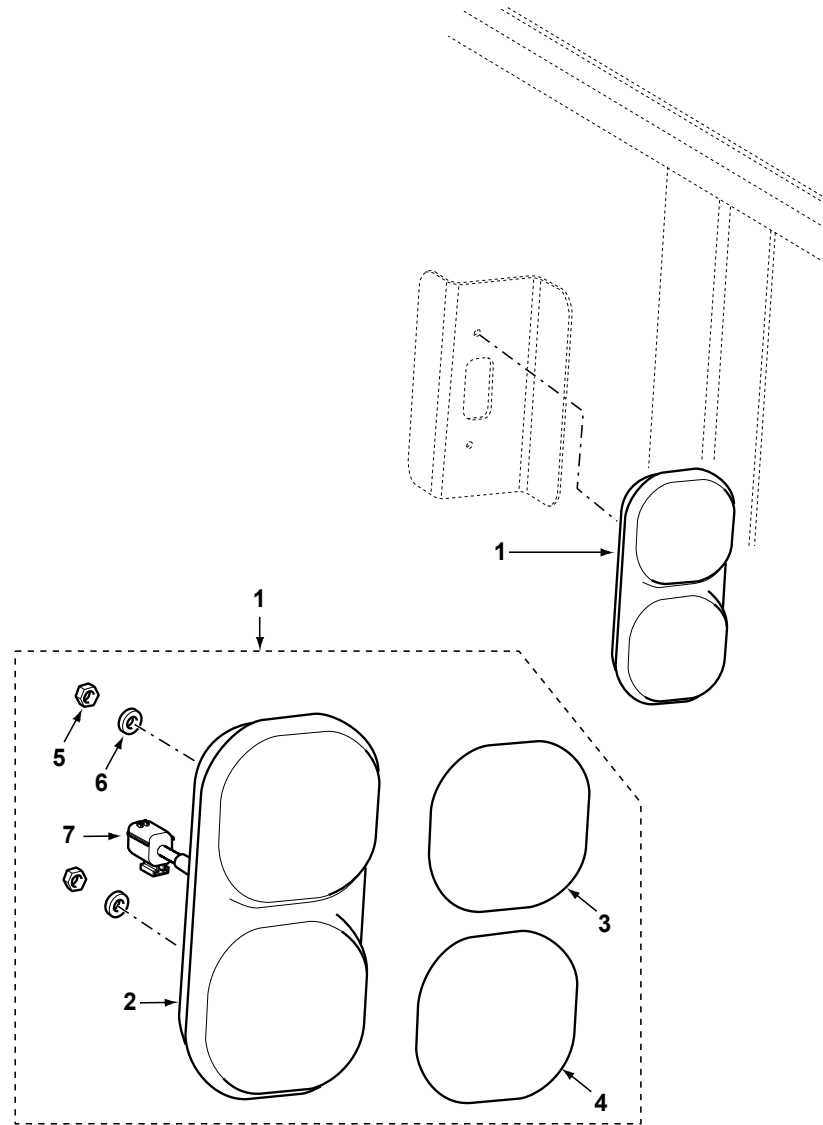
Item	Part No.	Qty.	English	French	German	Spanish	Remarks
1	6101415M91	2	Bracket-Rear-Fermec W/A	Support De Fixation	Befestigung	Soporte De Fijación	
2	3009494X1	8	Bolt Hex - M10 X 35, Coarse	Boulon - M10 X 35	Maschschraube M10	Tornillo	
3	371643X1	2	P Clip	Clip	Klips	Argolla De Fijación	
4	1440329X1	8	Nut, Hex. - Nyloc, M10	Ecrou Blocage	Flachmutter M10	Tuerca De Retención	
5	390995X1	8	Nut M5 Z5 Norm	Ecrou	Mutter	Tuerca	
6	339381X1	8	Washer, Lock - M5	Rondelle Frein	Federring	Arandela De Freno	
7	6101410M91	2	Rear Light Assy	Feu Arrière	Rückleuchte	Luz Posterior	
8	#BODY	1	Body	Body	Body	Body	Ref. 7
9	3523687M1	1	Bulb-Rear Light	Lampe	Lampe	Lámpara	
10	3523688M1	1	Bulb-Rear Light	Lampe	Lampe	Lámpara	
11	6190744M1	1	Lens - Rear Light	Lentille	Streuscheibe	Lente	
12	#SCREW	2	Screw	Vis	Schraube	Tornillo	Ref. 7
13	#GROMMET	1	Grommet	Grommet	Grommet	Grommet	Ref. 7
14	#HARNESS	1	Harness	Harness	Harness	Harness	Ref. 7
15	6102985M1	4	Cable Tie Fir Tree	Attache Câble	Kabelbinder	Enlace De Cable	

C-59003-01.1-A



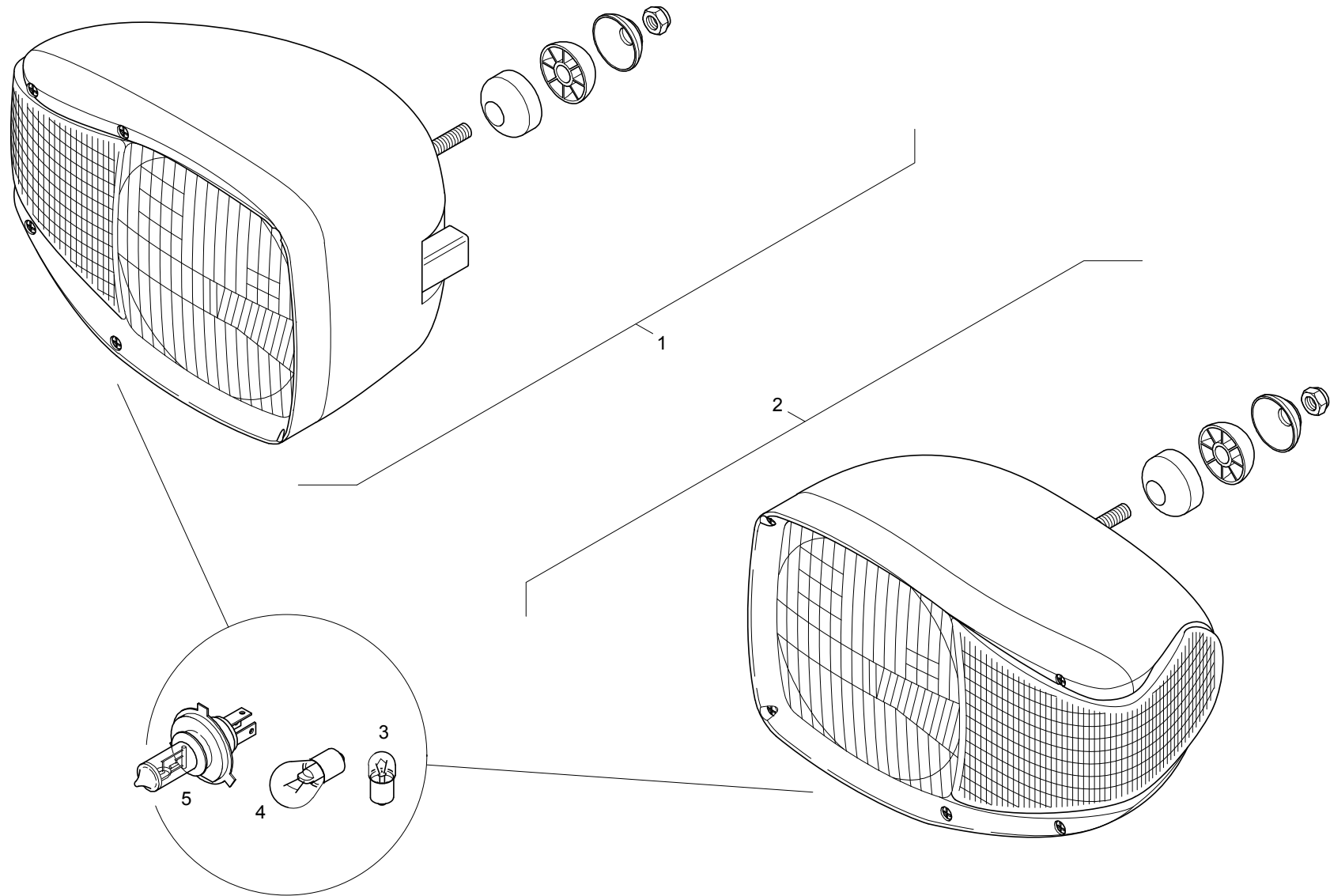
Item	Part No.	Qty.	English	French	German	Spanish	Remarks
1	6107973M91	1	Rear Light RH - High Level	Feu Arrière	Rückleuchte	Luz Posterior	
1	6107972M91	1	Rear Light LH - High Level	Feu Arrière	Rückleuchte	Luz Posterior	
2	#BODY	1	Body	Body	Body	Body	Ref. 1
3	3523687M1	1	Bulb-Rear Light	Lampe	Lampe	Lámpara	
4	3523688M1	1	Bulb-Rear Light	Lampe	Lampe	Lámpara	
5	6193294M1	1	Lens - L/H Rear Light	Lentille	Streuscheibe	Lente	
5	6193295M1	1	Lens - R/H Rear Light	Lentille	Streuscheibe	Lente	
6	#SCREW	2	Screw	Vis	Schraube	Tornillo	Ref. 5
7	1441268X1	1	Bolt M6-30 Z5f	Vis	Schraube	Tornillo	
8	339030X1	1	Nut M6 Z5 Norm	Ecrou	Mutter - M6	Tuerca	
9	390971X1	1	Washer M6-12-1 Zwl	Rondelle - M6	Scheibe - M6	Arandela	
10	339030X1	1	Nut M6 Z5 Norm	Ecrou	Mutter - M6	Tuerca	
11	339560X1	1	Bolt - M6 X 16mm (Hex.)	Boulon M6 X 16	Maschschraube - M6	Tornillo	
12	390971X1	1	Washer M6-12-1 Zwl	Rondelle - M6	Scheibe - M6	Arandela	
13	339030X1	1	Nut M6 Z5 Norm	Ecrou	Mutter - M6	Tuerca	
14	6101892M1	2	Spacer-Nylon	Entretoise	Distanzstück	Traviesa	

C-59004-01.1-A



Item	Part No.	Qty.	English	French	German	Spanish	Remarks
1	6108752M91	2	Rear Light - 4 Post ROPS	Feu Arrière	Rueckleuchte	Luz Posterior	
2	#BODY	1	Body	Body	Body	Body	
3	6193658M1	1	Lens Amber-Rear Light	Lentille	Streuscheibe	Lente	Amber
4	6193659M1	1	Lens Red-Rear Light	Lentille	Streuscheibe	Lente	Red
5	#NUT	2	Nut	Ecrou	Mutter	Tuerca	
6	#WASHER	2	Washer	Rondelle	Unterlegscheibe	Arandela	
7	#HARNESS	1	Harness	Harness	Harness	Harness	

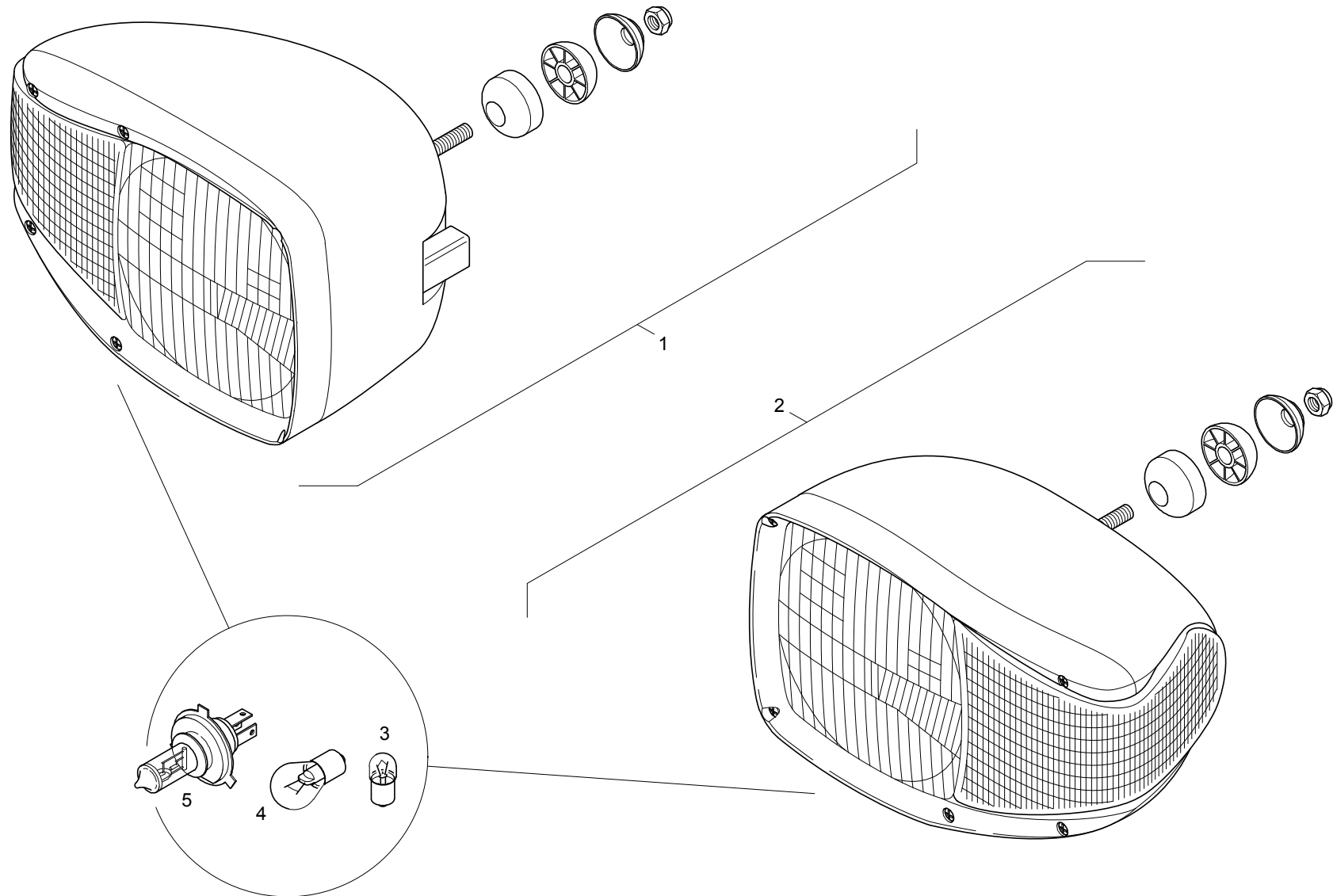
C-60001-01.1-A



Item	Part No.	Qty.	English	French	German	Spanish	Remarks
1	6106302M91	1	Headlight-Rh Left Hand Dip	Phare	Scheinwerfer	Faro	
2	6106301M91	1	Headlight-Lh Left Hand Dip	Phare	Scheinwerfer	Faro	
3	3523690M1	1	Bulb	Lampe	Lampe	Lámpara	
4	3523687M1	1	Bulb-Rear Light	Lampe	Lampe	Lámpara	
5	3523444M1	1	Bulb	Lampe	Lampe	Lámpara	



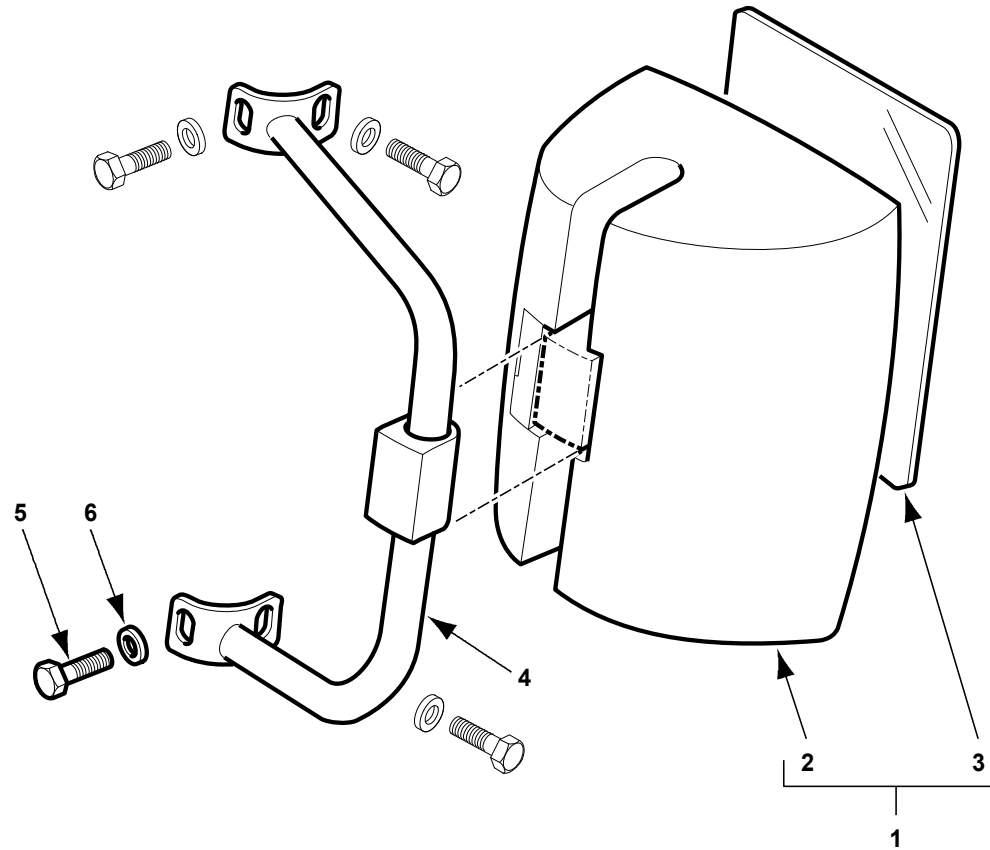
C-60002-01.1-A



Item	Part No.	Qty.	English	French	German	Spanish	Remarks
1	6106304M91	1	Headlight-Rh Right Hand Dip	Phare	Scheinwerfer	Faro	
2	6106303M91	1	Headlight-Lh Right Hand Dip	Phare	Scheinwerfer	Faro	
3	3523690M1	1	Bulb	Lampe	Lampe	Lámpara	
4	3523687M1	1	Bulb-Rear Light	Lampe	Lampe	Lámpara	
5	3523444M1	1	Bulb	Lampe	Lampe	Lámpara	



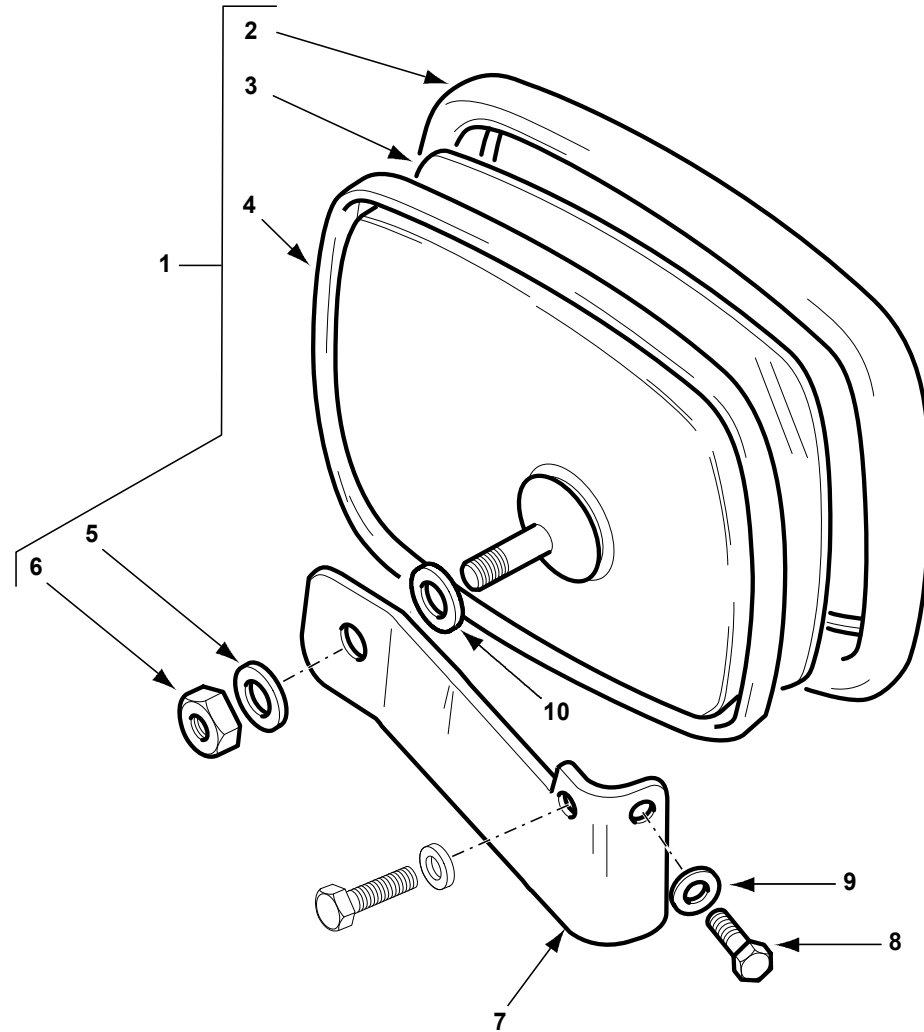
C-61001-01.1-A



Item	Part No.	Qty.	English	French	German	Spanish	Remarks
1	3512336M91	2	Mirror, Rear View - Cab Models	Retroviseur	Ruckspiegel	Espejo Retrovisor	
2	#BODY	1	Body	Body	Body	Body	Ref. 1
3	3477528M1	1	Glass, Rear View Mirror - Cab Models	Vitre	Glasscheibe	Cristal	
4	6108734M91	2	Arm Assy - Mirror	Bras Retroviseur	Spiegelarm Kpl	Brazo, Conj.	
5	3512463M1	8	Screw M6-16 Black	Boulon M6 X 16	Maschschraube M6	Tornillo	
6	3512395M1	8	Washer M6 Black	Rondelle	Scheibe	Arandela	



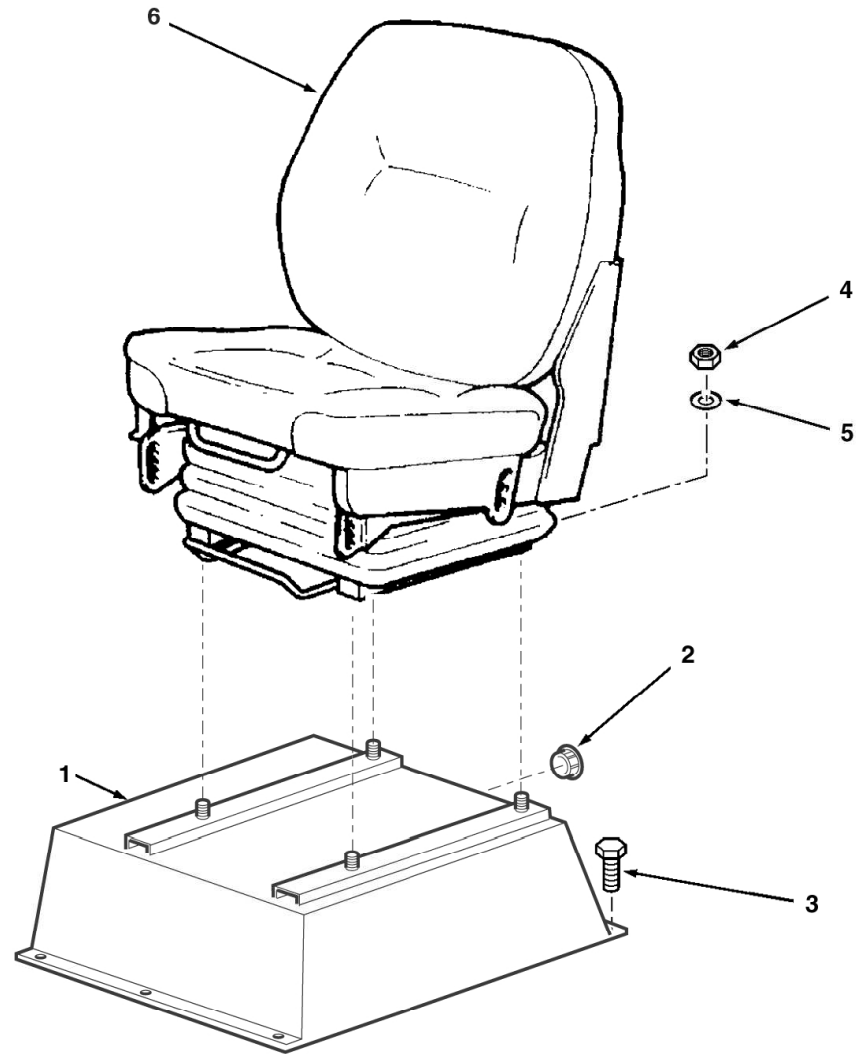
C-61002-01.1-A



Item	Part No.	Qty.	English	French	German	Spanish	Remarks
1	1473839M91	1	Mirror Internal ROPS	Rétrovisueur	Rueckspiegel	Espejo Retrovisor	
2	3523750M1	1	Surround Mirror	Ceinture	Einfassung	Envolvente	
3	3523749M1	1	Glass Mirror	Vitre	Glasscheibe	Cristal	
4	#BODY	1	Body	Body	Body	Body	Ref. 1
5	391039X1	1	Washer M8-24-2 Z	Rondelle M8	Scheibe M8	Arandela	
6	339169X1	1	Nut, Hex. - M8, Coarse	Ecrou Métrique	Mutter Metrisch	Tuerca	
7	6108798M1	1	Bracket-Mirror	Patte Fixation	Halter	Pata De Fijación	
8	3512463M1	2	Screw M6-16 Black	Boulon M6 X 16	Maschschraube M6	Tornillo	
9	3512395M1	2	Washer M6 Black	Rondelle	Scheibe	Arandela	
10	1585-1543	1	Spacer	Entretoise	Distanzring	Espaciador	

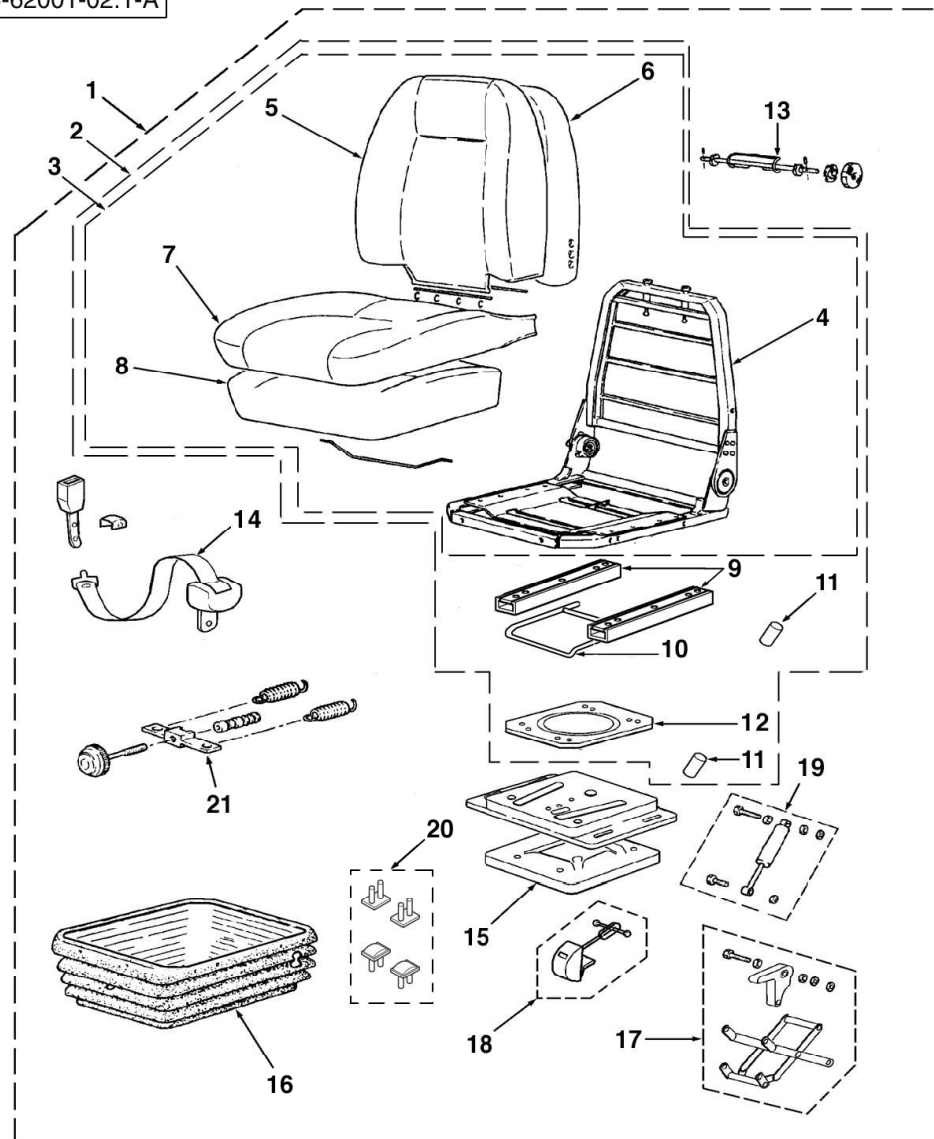


C-62001-01.1-A



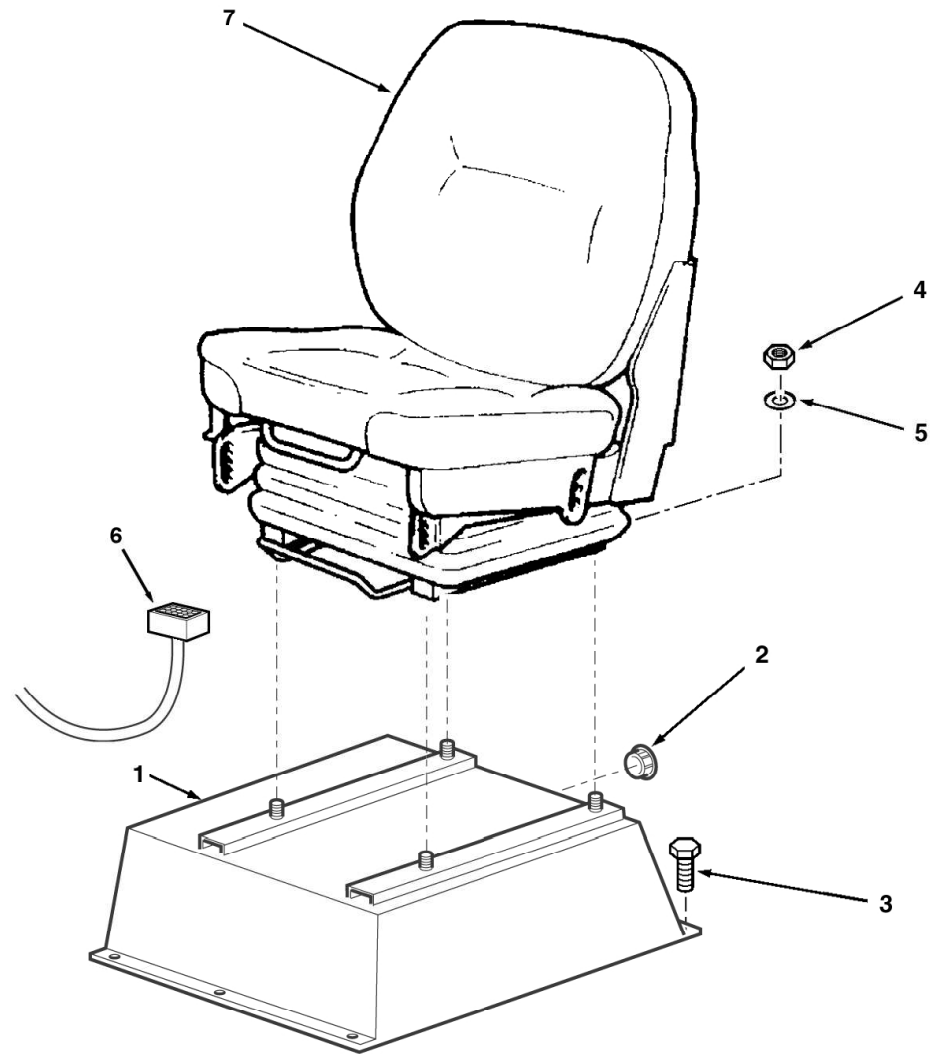
Item	Part No.	Qty.	English	French	German	Spanish	Remarks
1	6100848M95	1	Pedestal - Operator's Seat	Socle	Sockel, Säule	Zócalo	
2	3517687M1	1	Grommet	Passe-Fil	Tülle	Pasa Cable	
3	339124X1	4	Bolt M8-16 Z5f	Goupille	Maschschrb Metr - M8	Tornillo	
4	394367X1	4	Nut, Hex. - Nyloc, M8	Ecrou Blocage M8	Flachmutter - M8	Tuerca De Retención	
5	390972X1	4	Washer M8-17-1 Zwl	Rondelle M8	Scheibe - M8	Arandela	
6	6108904M91	1	Seat Assy - Fabric	Siège Ass.	Sitz Kplt	Asiento, Conj.	62001c02.1 1 H200 7 3500
6	6112088M92	1	Seat Assy Fabric Terex Logo	Ensemble Des Sièges	Sitz Kpl.	Asiento, Conj.	H200 7 3500

C-62001-02.1-A



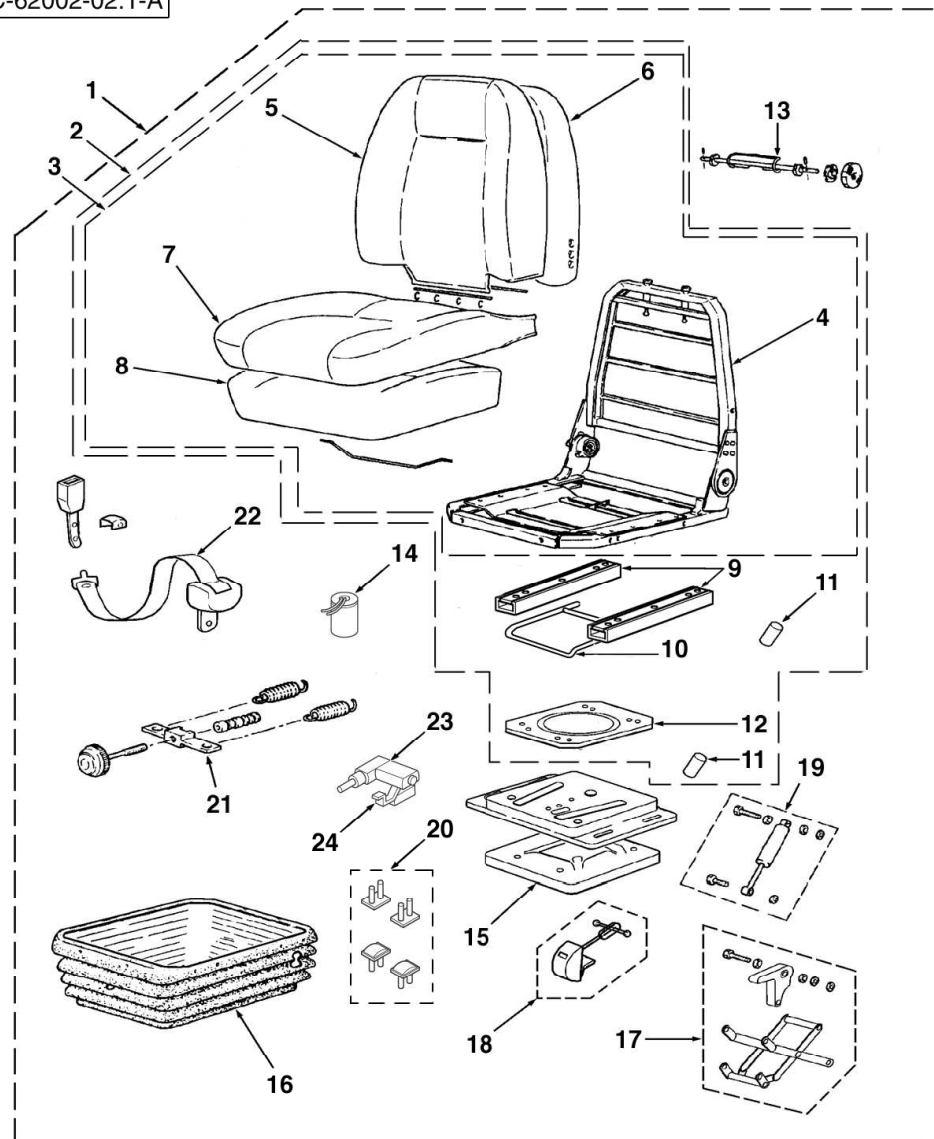
Item	Part No.	Qty.	English	French	German	Spanish	Remarks
1	6108904M91	1	Seat Assy - Fabric	Siège Ass.	Sitz Kplt	Asiento, Conj.	62001c01.1 6 H200 7 3500
2	6193722M91	1	Seat-Upper/Turntable/Sliderail Assy Kit	Siège	Sitz	Asiento	
3	6193724M91	1	Seat - Upper Assy Kit(Fabric) Terex Logo	Siège	Sitz	Asiento	
4	6193726M91	1	Frame Assembly Kit	Ensemble De Bâti	Rahmen Kpl.	Bastidor, Conj.	
5	6193727M91	1	Back Cover Kit	Housse	Schonbezug	Cubre Asiento	
6	6190707M91	1	Kit, Foam Pad - Seat Backrest	Dossier	Rückenlehne	Respaldo	
7	6193728M91	1	Seat Cover Kit	Housse	Schonbezug	Cubre Asiento	
8	6190709M91	1	Kit, Foam Pad - Seat Cushion	Coussin De Siège	Sitzkissen	Cojín De Asiento	
9	6193731M91	1	Fore & Aft Adjustment Kit	Glissière	Gleitschiene	Corredera	
10	6193732M91	1	Sliderrail Handle Kit	Ensemble De Poignée	Handgriff Kpl.	Empuñadura, Conj.	
11	6193730M1	2	Control Handle Kit	Poignée	Handgriff	Asa	
12	6193733M91	1	Turntable Kit	Bâti Tourelle	Oberwagenrahmen	Bastidor Torreta	
13	6190711M91	1	Kit Lumbar Support	Lot De Pièces	Ersatzteilpaket	Juego De Piezas	
14	6190710M91	1	Kit Seat Belt	Ceinture De Sécurité	Sicherheitsgurt	Cinturón, Seguridad	
15	6190718M91	1	Kit Suspension	Suspension	Federung	Suspensión	
16	6190719M91	1	Kit Suspension Cover	Souf•et	Faltenbalg	Fuelle	
17	6190720M91	1	Kit Bearing & Lever	Lot De Pièces	Ersatzteilpaket	Juego De Piezas	
18	6190721M91	1	Kit Ride Indicator	Poignée	Handgriff	Asa	
19	6190722M91	1	Kit, Shock Absorber - Seat	Amortisseur	Stossdämpfer	Amortiguador	
20	6190723M91	1	Kit Bump Stop	Buteur	Häufelmaschine	Aporcador	
21	6190724M91	1	Kit Height Adjuster	Poignée	Handgriff	Asa	

C-62002-01.1-A



Item	Part No.	Qty.	English	French	German	Spanish	Remarks
1	6100848M95	1	Pedestal - Operator's Seat	Socle	Sockel, Säule	Zócalo	
2	3517687M1	1	Grommet	Passe-Fil	Tülle	Pasa Cable	
3	339124X1	4	Bolt M8-16 Z5f	Goupille	Maschschrb Metr - M8	Tornillo	
4	394367X1	4	Nut, Hex. - Nyloc, M8	Ecrou Blocage M8	Flachmutter - M8	Tuerca De Retención	
5	390972X1	4	Washer M8-17-1 Zwl	Rondelle M8	Scheibe - M8	Arandela	
6	6109285M91	1	Harness, Intermediate - Air Susp. Seat	Ensemble De Faisceau	Kabelstrang Kpl.	Haz, Conj.	Ec06/167
6	6111150M91	1	Harness - Air Suspension Seat	Faisceau	Beschirrung	Haz, Conj.	Ec06/167
7	6112089M91	1	Seat Assy - Fabric (Terex Logo) Air Susp	Ensemble Des Sièges	Sitz Kpl.	Asiento, Conj.	H200 07 3448
7	6108905M91	1	Seat - Air Suspension, Fabric	Ensemble Des Sièges	Sitz Kpl.	Asiento, Conj.	62002c02.1 1 H200 07 3448

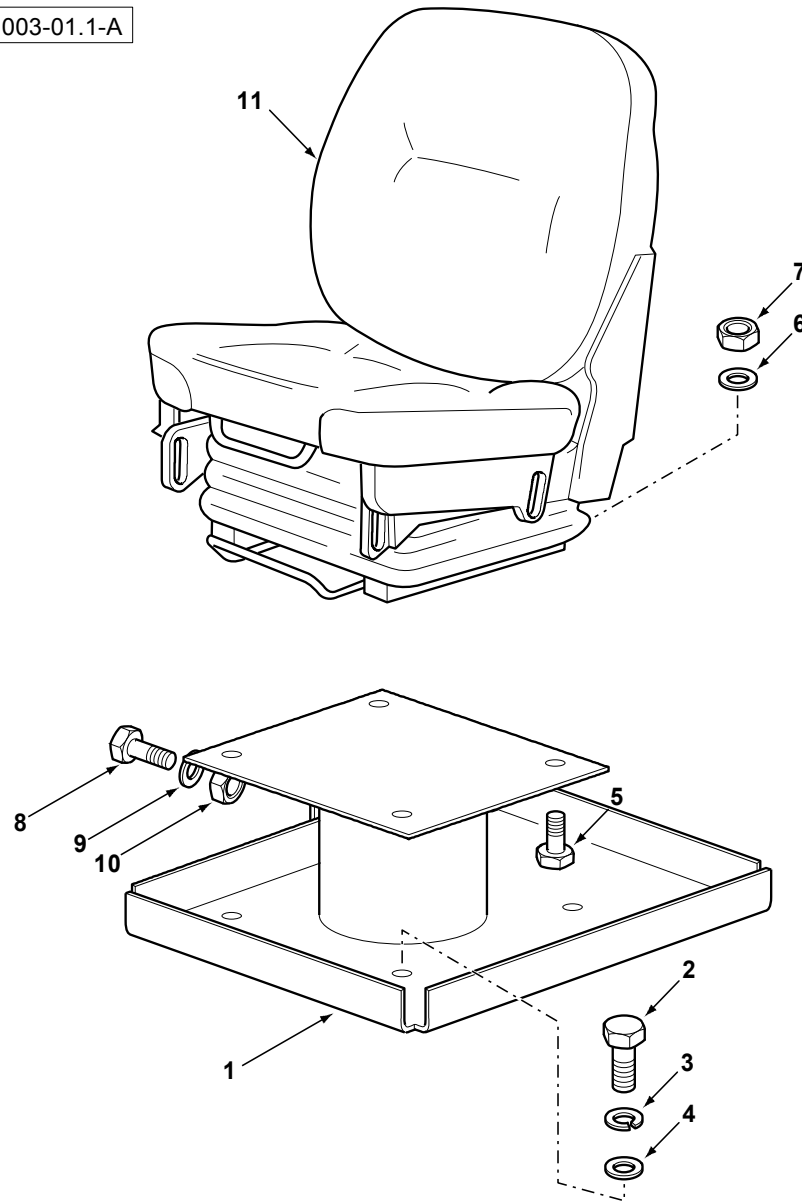
C-62002-02.1-A



Item	Part No.	Qty.	English	French	German	Spanish	Remarks
1	6108905M91	1	Seat - Air Suspension, Fabric	Ensemble Des Sièges	Sitz Kpl.	Asiento, Conj.	62002c01.1 7 Tba
2	6193722M91	1	Seat-Upper/Turntable/Sliderail Assy Kit	Siège	Sitz	Asiento	
3	6193724M91	1	Seat - Upper Assy Kit(Fabric) Terex Logo	Siège	Sitz	Asiento	
4	6193726M91	1	Frame Assembly Kit	Ensemble De Bâti	Rahmen Kpl.	Bastidor, Conj.	
5	6193727M91	1	Back Cover Kit	Housse	Schonbezug	Cubre Asiento	
6	6190707M91	1	Kit, Foam Pad - Seat Backrest	Dossier	Rückenlehne	Respaldo	
7	6193728M91	1	Seat Cover Kit	Housse	Schonbezug	Cubre Asiento	
8	6190709M91	1	Kit, Foam Pad - Seat Cushion	Coussin De Siège	Sitzkissen	Cojín De Asiento	
9	6193731M91	1	Fore & Aft Adjustment Kit	Glissière	Gleitschiene	Corredera	
10	6193732M91	1	Sliderrail Handle Kit	Ensemble De Poignée	Handgriff Kpl.	Empuñadura, Conj.	
11	6193730M1	2	Control Handle Kit	Poignée	Handgriff	Asa	
12	6193733M91	1	Turntable Kit	Bâti Tourelle	Oberwagenrahmen	Bastidor Torreta	
13	6190711M91	1	Kit Lumbar Support	Lot De Pièces	Ersatzteilpaket	Juego De Piezas	
14	6193738M91	1	Air Spring Kit	Jeu De Ressorts	Federsatz	Juego De Muelles	
15	6193734M91	1	Suspension Assembly Kit - Air	Suspension	Federung	Suspensión	
16	6193735M91	1	Suspension Cover Kit - Air	Souf•et	Kofferraum	Fuelle	
17	6193736M91	1	Bearing And Lever Kit - Air	Lot De Pièces	Ersatzteilpaket	Juego De Piezas	
18	6190721M91	1	Kit Ride Indicator	Poignée	Handgriff	Asa	
19	6193737M91	1	Damper Kit	Amortisseur	Stossdämpfer	Amortiguador	
20	6190723M91	1	Kit Bump Stop	Buteur	Häufelmaschine	Aporcador	
21	6190724M91	1	Kit Height Adjuster	Poignée	Handgriff	Asa	
22	6190710M91	1	Kit Seat Belt	Ceinture De Sécurité	Sicherheitsgurt	Cinturón, Seguridad	
23	6193739M91	1	12v Compressor Kit	Compresseur	Kompressor	Compresor	
24	6193740M91	1	Kit, Valve & Switch - Air Susp. Seat	Jeu De Soupapes	Ventilsatz	Juego De Válvulas	

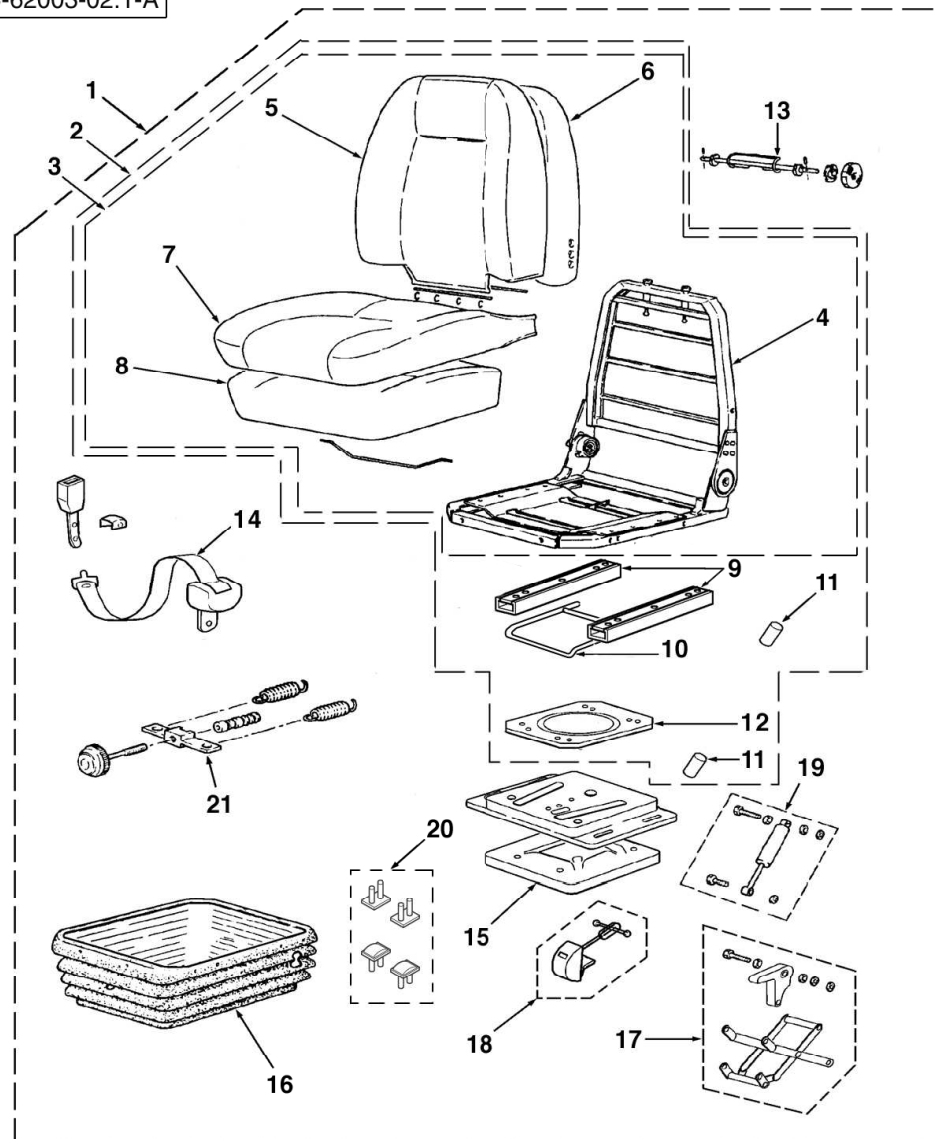


C-62003-01.1-A



Item	Part No.	Qty.	English	French	German	Spanish	Remarks
1	6108693M92	1	Seat Pedestal - Welded Assy.	Socle	Sockel, Säule	Zócalo	
2	3009493X1	4	Bolt M10-30 Z5c	Boulon M10 X 30	Maschschraube M10	Perno	
3	339376X1	4	Washer M10-18-2 Zsp	Rondelle Frein	Federring	Arandela De Freno	
4	390734X1	4	Washer M10-21-2 Z	Rondelle - M10	Unterlegscheibe	Arandela	
5	339761X1	4	Bolt M8-25 Z5f	Goupille	Bolzen M8 X 25	Tornillo	
6	390972X1	4	Washer M8-17-1 Zwl	Rondelle M8	Scheibe - M8	Arandela	
7	394367X1	4	Nut, Hex. - Nyloc, M8	Ecrou Blocage M8	Flachmutter - M8	Tuerca De Retención	
8	3009493X1	2	Bolt M10-30 Z5c	Boulon M10 X 30	Maschschraube M10	Perno	
9	390734X1	2	Washer M10-21-2 Z	Rondelle - M10	Unterlegscheibe	Arandela	
10	1440329X1	2	Nut, Hex. - Nyloc, M10	Ecrou Blocage	Flachmutter M10	Tuerca De Retención	
11	6112090M92	1	Seat Assy Pvc	Ensemble Des Sièges	Sitz Kpl.	Asiento, Conj.	Tba
11	6108906M91	1	Seat-Mech Pvc	Siège Ass.	Sitz Kplt	Asiento, Conj.	62003c02.1 1 Tba

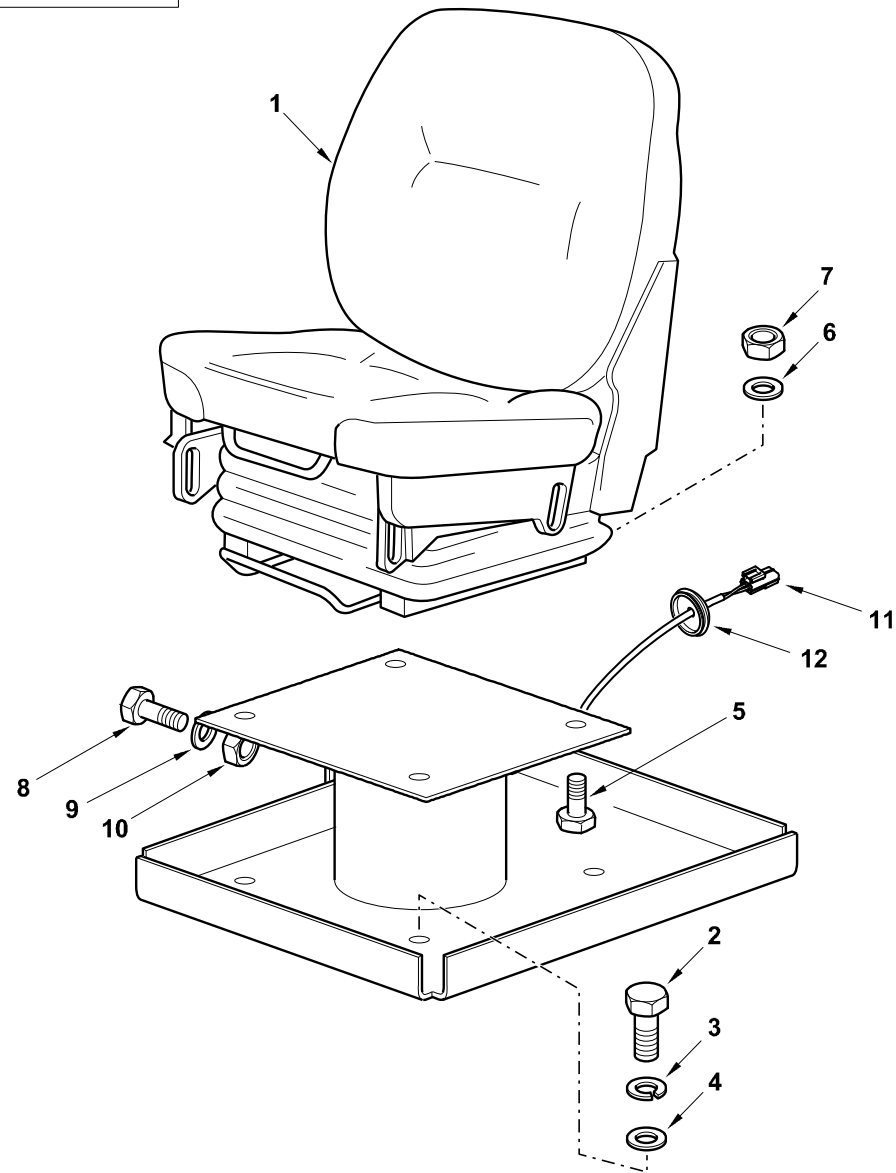
C-62003-02.1-A



Item	Part No.	Qty.	English	French	German	Spanish	Remarks
1	6108906M91	1	Seat-Mech Pvc	Siège Ass.	Sitz Kplt	Asiento, Conj.	62003c01.1 11 Tba
2	6193723M91	1	Seat-Upper/Turntable/Sliderails Assy Kit	Siège	Sitz	Asiento	
3	6193725M91	1	Seat-Upper Assy Kit(Black Pvc)	Siège	Sitz	Asiento	
4	6193726M91	1	Frame Assembly Kit	Ensemble De Bâti	Rahmen Kpl.	Bastidor, Conj.	
5	6190726M91	1	Backrest Cover Pvc	Coussin De Dossier	Rückenpolster	Cojín De Respaldo	
6	6190707M91	1	Kit, Foam Pad - Seat Backrest	Dossier	Rückenlehne	Respaldo	
7	6193729M91	1	Seat Cover Kit - Black Pvc	Housse	Schonbezug	Cubre Asiento	
8	6190728M91	1	Seat Foam	Siège	Sitz	Asiento	
9	6193731M91	1	Fore & Aft Adjustment Kit	Glissière	Gleitschiene	Corredera	
10	6193732M91	1	Sliderrail Handle Kit	Ensemble De Poignée	Handgriff Kpl.	Empuñadura, Conj.	
11	6193730M1	2	Control Handle Kit	Poignée	Handgriff	Asa	
12	6193733M91	1	Turntable Kit	Bâti Tourelle	Oberwagenrahmen	Bastidor Torreta	
13	6190711M91	1	Kit Lumbar Support	Lot De Pièces	Ersatzteilpaket	Juego De Piezas	
14	6190710M91	1	Kit Seat Belt	Ceinture De Sécurité	Sicherheitsgurt	Cinturón, Seguridad	
15	6190718M91	1	Kit Suspension	Suspension	Federung	Suspensión	
16	6190719M91	1	Kit Suspension Cover	Souf•et	Faltenbalg	Fuelle	
17	6190720M91	1	Kit Bearing & Lever	Lot De Pièces	Ersatzteilpaket	Juego De Piezas	
18	6190721M91	1	Kit Ride Indicator	Poignée	Handgriff	Asa	
19	6190722M91	1	Kit, Shock Absorber - Seat	Amortisseur	Stossdämpfer	Amortiguador	
20	6190723M91	1	Kit Bump Stop	Buteur	Häufelmaschine	Aporcador	
21	6190724M91	1	Kit Height Adjuster	Poignée	Handgriff	Asa	

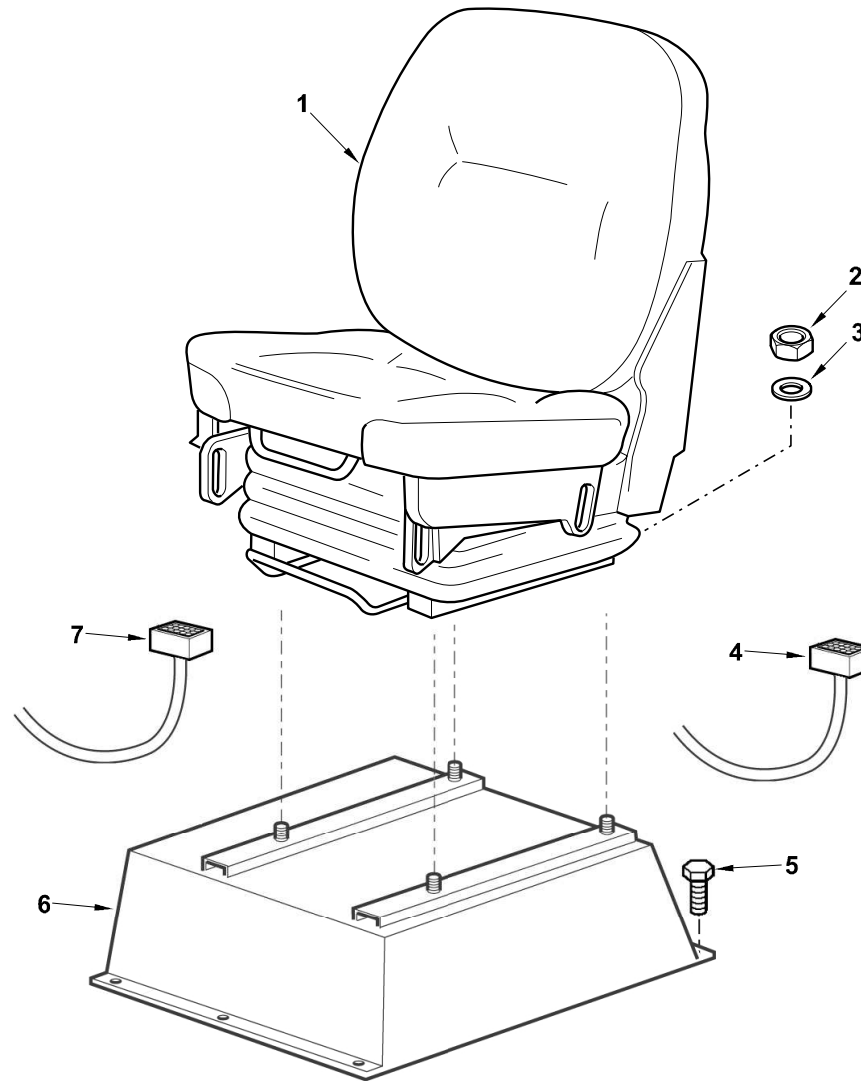


C-62005-01.1-A



Item	Part No.	Qty.	English	French	German	Spanish	Remarks
1	6111247M91	1	Seat Assy - Air Pvc	Siege	Sitz Kompl.	Asiento, Conj.	Tba
1	6112091M92	1	Seat Assy Pvc Air Suspension	Siege	Sitz, Kompl.	Asiento, Conj.	Tba
2	3009493X1	4	Bolt M10-30 Z5c	Boulon M10 X 30	Maschschraube M10	Perno	
3	339376X1	4	Washer M10-18-2 Zsp	Rondelle Frein	Federring	Arandela De Freno	
4	390734X1	4	Washer M10-21-2 Z	Rondelle - M10	Unterlegscheibe	Arandela	
5	339761X1	4	Bolt M8-25 Z5f	Goupille	Bolzen M8 X 25	Tornillo	
6	390972X1	4	Washer M8-17-1 Zwl	Rondelle M8	Scheibe - M8	Arandela	
7	394367X1	4	Nut, Hex. - Nyloc, M8	Ecrou Blocage M8	Flachmutter - M8	Tuerca De Retención	
8	3009493X1	2	Bolt M10-30 Z5c	Boulon M10 X 30	Maschschraube M10	Perno	
9	390734X1	2	Washer M10-21-2 Z	Rondelle - M10	Unterlegscheibe	Arandela	
10	1440329X1	2	Nut, Hex. - Nyloc, M10	Ecrou Blocage	Flachmutter M10	Tuerca De Retención	
11	6109285M91	1	Harness, Intermediate - Air Susp. Seat	Ensemble De Faisceau	Kabelstrang Kpl.	Haz, Conj.	Ec06/167
11	6111150M91	1	Harness - Air Suspension Seat	Faisceau	Beschirrung	Haz, Conj.	Ec06/167
12	3517687M1	1	Grommet	Passe-Fil	Tülle	Pasa Cable	

C-62006-01.1-A



Item	Part No.	Qty.	English	French	German	Spanish	Remarks
1	6112394M92	1	Seat Assy - Fabric - Air Susp - Heated	Siege	Sitz Kompl.	Asiento, Conj.	
2	394367X1	4	Nut, Hex. - Nyloc, M8	Ecrou Blocage M8	Flachmutter - M8	Tuerca De Retención	
3	390972X1	4	Washer M8-17-1 Zwl	Rondelle M8	Scheibe - M8	Arandela	
4	6112393M91	1	Wiring Harness	Faisceau De Cables	Kabelstrang	Kabelstrang	
5	339124X1	4	Bolt M8-16 Z5f	Goupille	Maschschrb Metr - M8	Tornillo	
6	6100848M95	1	Pedestal - Operator's Seat	Socle	Sockel, Säule	Zócalo	
7	6111150M91	1	Harness - Air Suspension Seat	Faisceau	Beschirrung	Haz, Conj.	

Not Serviced

THIS PAGE INTENTIONALLY LEFT BLANK

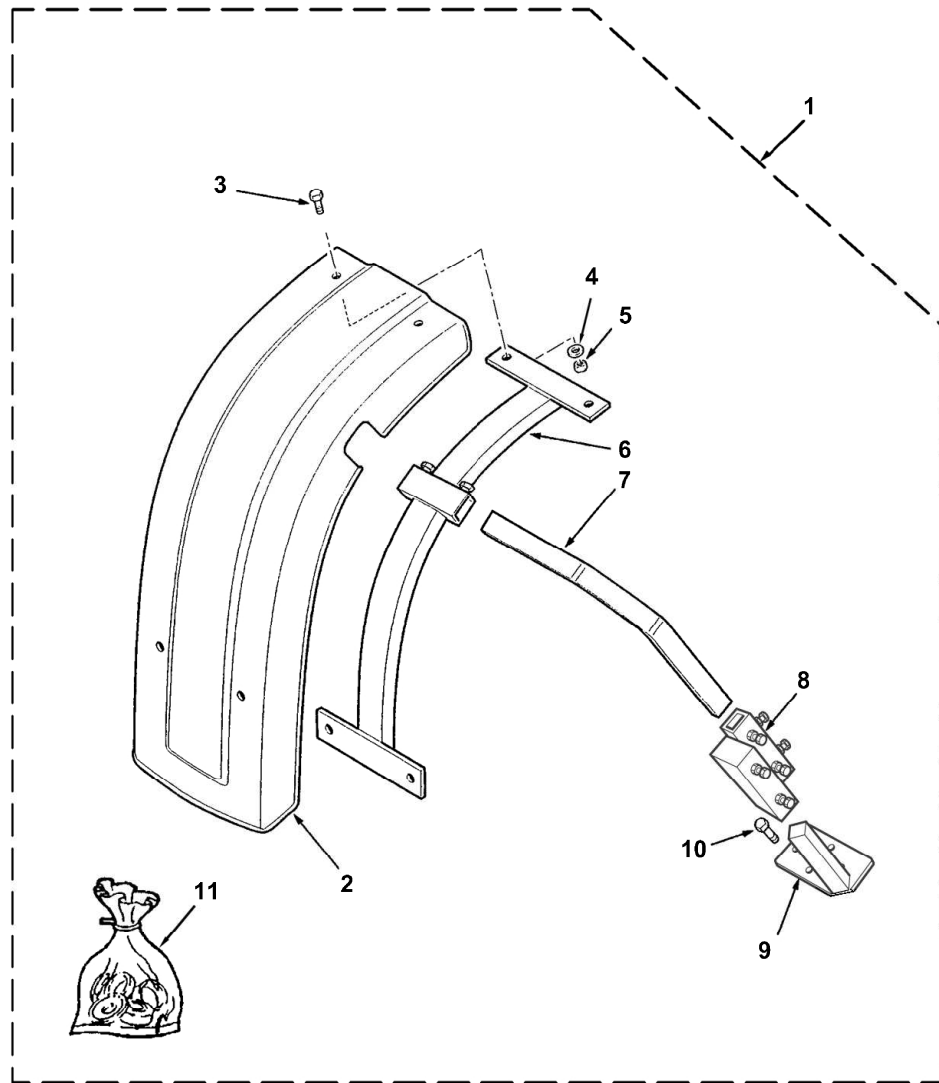


Not Serviced

THIS PAGE INTENTIONALLY LEFT BLANK



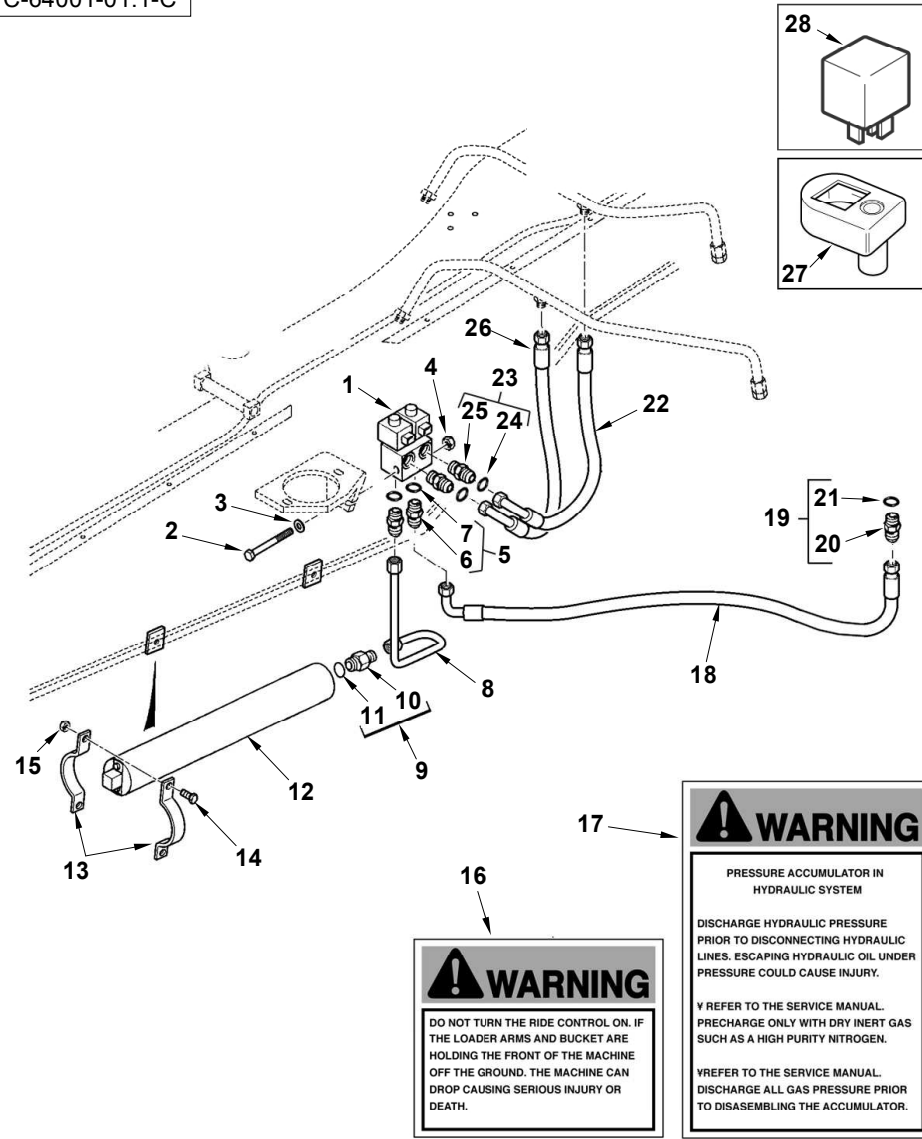
C-63003-01.1-B



Item	Part No.	Qty.	English	French	German	Spanish	Remarks
1	6111452M92	1	Fender Kit - Front	Jeu Aile	Ersatzteilpaket	Juego De Piezas	
2	6111408M92	1	Fender (Front) Mount 2ws - RH	Support De Fixation	Befestigung	Soporte De Fijación	
2	6111407M92	1	Fender (Front) Mount 2ws - LH	Support De Fixation	Befestigung	Soporte De Fijación	
3	6108380M91	1	Bracket-Rh F/Fend Rot.Elemntnt	Patte Fixation	Halter	Apoyadero, Conj.	
3	6108379M91	1	Bracket-Lh F/Fend Rot.Elemntnt	Patte Fixation	Halter	Apoyadero, Conj.	
4	6102351M1	2	Tube-Front Fender	Tube	Rohrleitung	Tubo	
5	3009331X1	8	Bolt Round HD M6x25	Goupille	Bolzen	Tornillo	
6	391038X1	8	Washer M6 - Large Zinc Hardened	Rondelle	Scheibe	Arandela	
7	339030X1	8	Nut M6 Z5 Norm	Ecrou	Mutter - M6	Tuerca	
8	3517767M1	1	Bow Moulding LH	Aile	Stoßfänger, Kot•ügel	Aleta	
8	3517766M1	1	Bow Moulding RH	Aile	Stoßfänger, Kot•ügel	Aleta	
9	3517762M91	2	Support Assy	Support Ass.	Haltevorrichtung Kpl	Soporte De Fijación	
10	3000253X1	6	Bolt M14 X 40	Rondelle	Scheibe	Arandela	
11	3517769M91	0	Fastener Set	Lot De Pièces	Ersatzteilpaket	Juego De Piezas	



C-64001-01.1-C



WARNING

DO NOT TURN THE RIDE CONTROL ON. IF THE LOADER ARMS AND BUCKET ARE HOLDING THE FRONT OF THE MACHINE OFF THE GROUND, THE MACHINE CAN DROP CAUSING SERIOUS INJURY OR DEATH.

WARNING

PRESSURE ACCUMULATOR IN HYDRAULIC SYSTEM

DISCHARGE HYDRAULIC PRESSURE PRIOR TO DISCONNECTING HYDRAULIC LINES. ESCAPING HYDRAULIC OIL UNDER PRESSURE COULD CAUSE INJURY.

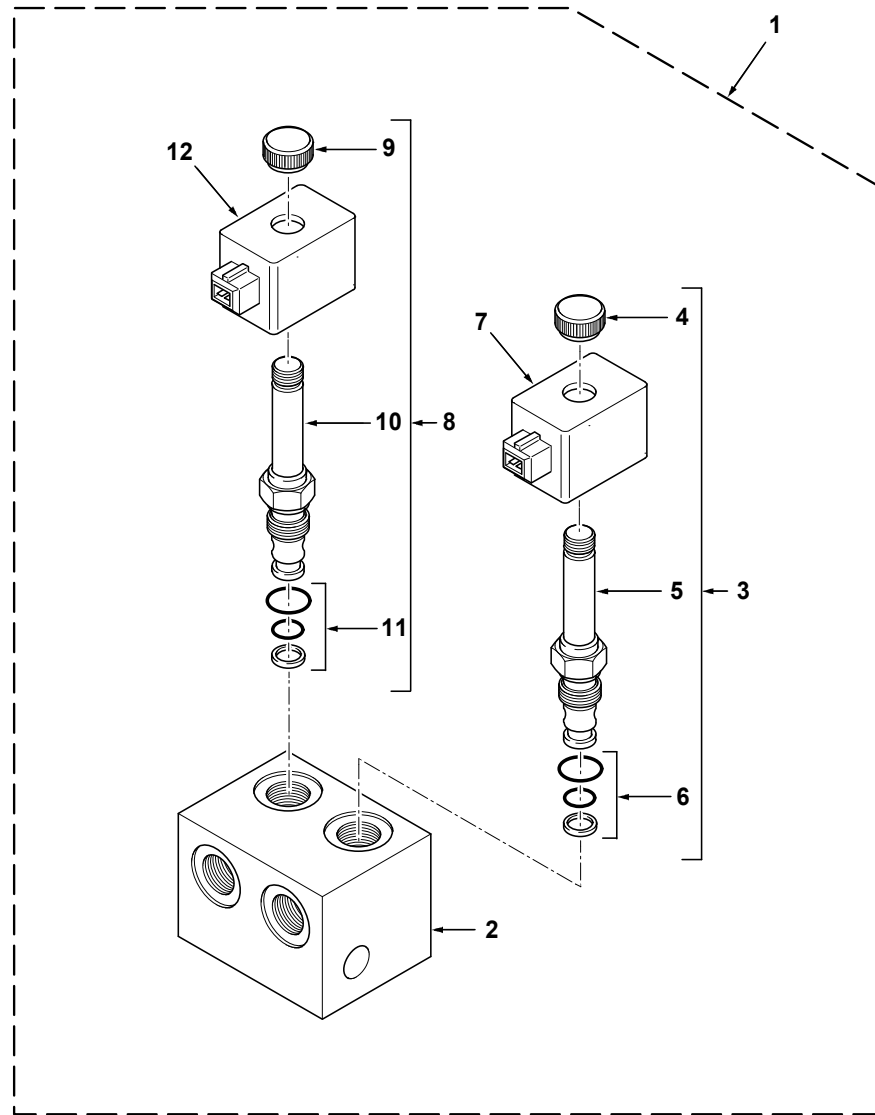
REFER TO THE SERVICE MANUAL. PRECHARGE ONLY WITH DRY INERT GAS SUCH AS A HIGH PURITY NITROGEN.

REFER TO THE SERVICE MANUAL. DISCHARGE ALL GAS PRESSURE PRIOR TO DISASSEMBLING THE ACCUMULATOR.

Item	Part No.	Qty.	English	French	German	Spanish	Remarks
1	6100522M91	1	Solenoid Valve Assy	Soupape De Pilotage	Magnetventil	Válvula De Pilotaje	64001c02.1 1
2	3009504X1	1	Bolt M10-100 Z5s	Goupille	Bolzen M10 X 100	Tornillo	
3	385362X1	1	Washer, Hardened - M10	Rondelle - M10	Unterlegscheibe M10	Arandela	
4	1440329X1	1	Nut, Hex. - Nyloc, M10	Ecrou Blocage	Flachmutter M10	Tuerca De Retención	
5	358743X91	2	Connector & O Ring	Borne	Doppelnippel	Unión	
6	#UNION	1	Union	Union	Union	Union	Ref. 5
7	831497M1	1	O-Ring	Joint Torique	O-Ring	Junta De Tipo O	
8	6109373M91	1	Tube-Acum/R.Contrl Valve	Tuyauterie	Rohr Kpl	Conjunto De Tubería	
9	3519179M91	1	Connector	Borne	Doppelnippel	Conexión, Conj.	
10	#UNION	1	Union	Union	Union	Union	Ref. 9
11	831452M1	1	O Ring (Pack Of 10)	Joint Torique	O Ring	Junta De Tipo O	
12	6106193M92	1	Accumulator - Ride Control	Accumulateur	Akkumulator	Acumulador	
13	6101361M1	4	Clamp-Accumulator	Collier De Serrage	Halteschelle	Brida De Fijación	
14	339337X1	4	Bolt M8-30 Z5f	Goupille	Bolzen - M8 X 30	Perno	
15	394367X1	4	Nut, Hex. - Nyloc, M8	Ecrou Blocage M8	Flachmutter - M8	Tuerca De Retención	
16	255927A1	1	Decal - English	Adhésif	Aufkleber	Adhesivo	
17	256318A1	1	Decal - English	Adhésif	Aufkleber	Adhesivo	
18	6109375M91	1	Hose Assy - Return Ride Control	Flexible Ass.	Schlauch Kpl	Flexible, Conj.	
19	6109376M91	1	Adaptor	Adaptateur	Reduzienippel	Conexión, Conj.	
20	#CONNECTOR	1	Connector	Connector	Connector	Connector	Ref. 19
21	835026M1	1	O-Ring	Joint Torique	O-Ring	Junta De Tipo O	
22	6109468M91	1	Hose Assy - Ride Control	Flexible Ass.	Schlauch Kpl	Flexible, Conj.	
23	360202X91	2	Connector 9/16 X 3/4	Adaptateur	Reduzienippel	Unión	
24	#UNION	1	Union	Union	Union	Union	Ref. 23
25	831497M1	1	O-Ring	Joint Torique	O-Ring	Junta De Tipo O	
26	6110180M91	1	Hose Assy - Ride Control	Flexible Ass.	Schlauch Kpl	Flexible, Conj.	
27	6101777M91	1	Cover Assy. - Switch Operating	Cache	Abdeckung	Tapa	
28	6102490M1	1	Relay-Micro	Relais	Relais	Relé	



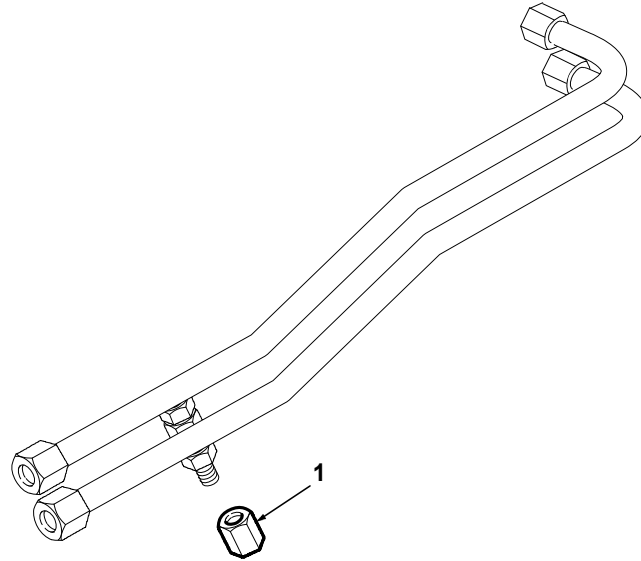
C-64001-02.1-A



Item	Part No.	Qty.	English	French	German	Spanish	Remarks
1	6100522M91	1	Solenoid Valve Assy	Soupape De Pilotage	Magnetventil	Válvula De Pilotaje	64001c01.1 1
2	#BODY	1	Body	Body	Body	Body	Ref. 1
3	6190749M91	1	Solenoid Cartridge	Solénoïde	Magnetspule	Solenoide	
4	#NUT	1	Nut	Ecrou	Mutter	Tuerca	Ref. 3
5	#SPOOL	1	Spool	Spool	Spool	Spool	Ref. 3
6	6190752M91	1	Kit Seal	Jeu Étanchéité	Dichtringsatz	Juego De Juntas	
7	6191096M91	1	Coil Assy.	Bobine	Wicklung, Spule	Bobina	
8	6190750M91	1	Solenoid Cartridge	Solénoïde	Magnetspule	Solenoide	
9	#NUT	1	Nut	Ecrou	Mutter	Tuerca	Ref. 8
10	#SPOOL	1	Spool	Spool	Spool	Spool	Ref. 8
11	6190752M91	1	Kit Seal	Jeu Étanchéité	Dichtringsatz	Juego De Juntas	
12	6191096M91	1	Coil Assy.	Bobine	Wicklung, Spule	Bobina	



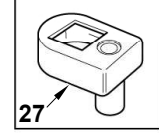
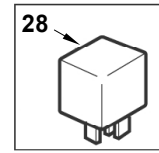
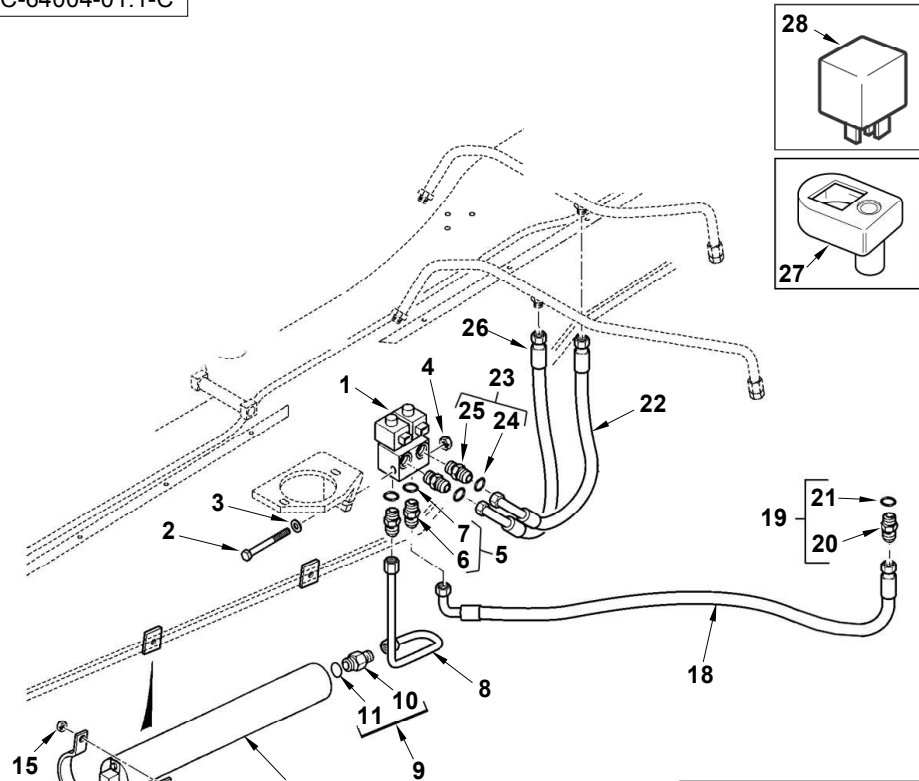
C-64002-01.1-A



Item	Part No.	Qty.	English	French	German	Spanish	Remarks
1	356579X1	2	Cap Tube 9/16	Capuchon	Wetterkappe	Sombreroete	



C-64004-01.1-C



WARNING

DO NOT TURN THE RIDE CONTROL ON. IF THE LOADER ARMS AND BUCKET ARE HOLDING THE FRONT OF THE MACHINE OFF THE GROUND. THE MACHINE CAN DROP CAUSING SERIOUS INJURY OR DEATH.

WARNING

PRESSURE ACCUMULATOR IN HYDRAULIC SYSTEM

DISCHARGE HYDRAULIC PRESSURE PRIOR TO DISCONNECTING HYDRAULIC LINES. ESCAPING HYDRAULIC OIL UNDER PRESSURE COULD CAUSE INJURY.

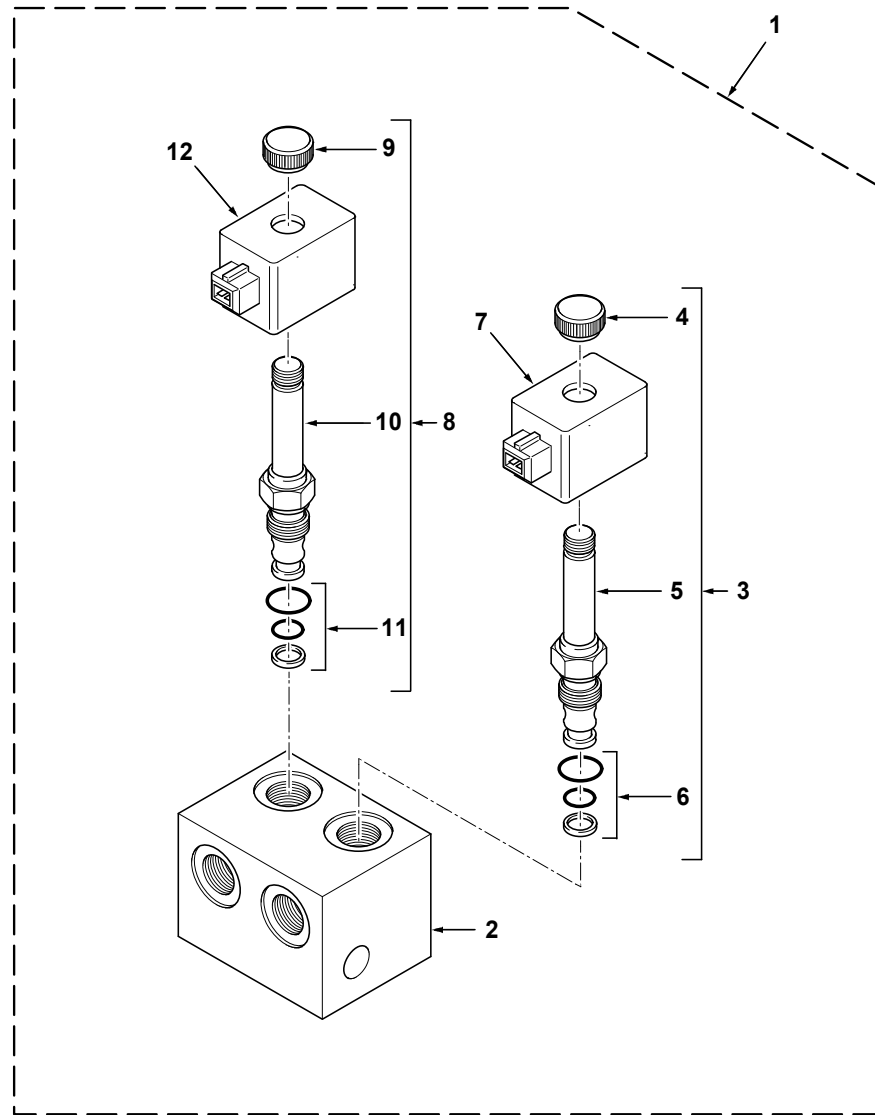
REFER TO THE SERVICE MANUAL. PRECHARGE ONLY WITH DRY INERT GAS SUCH AS A HIGH PURITY NITROGEN.

REFER TO THE SERVICE MANUAL. DISCHARGE ALL GAS PRESSURE PRIOR TO DISASSEMBLING THE ACCUMULATOR.

Item	Part No.	Qty.	English	French	German	Spanish	Remarks
1	6100522M91	1	Solenoid Valve Assy	Soupape De Pilotage	Magnetventil	Válvula De Pilotaje	64004c02.1 1
2	3009504X1	1	Bolt M10-100 Z5s	Goupille	Bolzen M10 X 100	Tornillo	
3	385362X1	1	Washer, Hardened - M10	Rondelle - M10	Unterlegscheibe M10	Arandela	
4	1440329X1	1	Nut, Hex. - Nyloc, M10	Ecrou Blocage	Flachmutter M10	Tuerca De Retención	
5	358743X91	2	Connector & O Ring	Borne	Doppelnippel	Unión	
6	#UNION	1	Union	Union	Union	Union	Ref. 5
7	831497M1	1	O-Ring	Joint Torique	O-Ring	Junta De Tipo O	
8	6109373M91	1	Tube-Acum/R.Contrl Valve	Tuyauterie	Rohr Kpl	Conjunto De Tubería	
9	3519179M91	1	Connector	Borne	Doppelnippel	Conexión, Conj.	
10	#UNION	1	Union	Union	Union	Union	Ref. 9
11	831452M1	1	O Ring (Pack Of 10)	Joint Torique	O Ring	Junta De Tipo O	
12	6106193M92	1	Accumulator - Ride Control	Accumulateur	Akkumulator	Acumulador	
13	6101361M1	4	Clamp-Accumulator	Collier De Serrage	Halteschelle	Brida De Fijación	
14	339337X1	4	Bolt M8-30 Z5f	Goupille	Bolzen - M8 X 30	Perno	
15	394367X1	4	Nut, Hex. - Nyloc, M8	Ecrou Blocage M8	Flachmutter - M8	Tuerca De Retención	
16	256464A1	1	Decal - French	Adhésif	Aufkleber	Adhesivo	
17	256453A1	1	Decal - French	Adhésif	Aufkleber	Adhesivo	
18	6109375M91	1	Hose Assy - Return Ride Control	Flexible Ass.	Schlauch Kpl	Flexible, Conj.	
19	6109376M91	1	Adaptor	Adaptateur	Reduzienippel	Conexión, Conj.	
20	#CONNECTOR	1	Connector	Connector	Connector	Connector	Ref. 19
21	835026M1	1	O-Ring	Joint Torique	O-Ring	Junta De Tipo O	
22	6109468M91	1	Hose Assy - Ride Control	Flexible Ass.	Schlauch Kpl	Flexible, Conj.	
23	360202X91	2	Connector 9/16 X 3/4	Adaptateur	Reduzienippel	Unión	
24	#UNION	1	Union	Union	Union	Union	Ref. 23
25	831497M1	1	O-Ring	Joint Torique	O-Ring	Junta De Tipo O	
26	6110180M91	1	Hose Assy - Ride Control	Flexible Ass.	Schlauch Kpl	Flexible, Conj.	
27	6101777M91	1	Cover Assy. - Switch Operating	Cache	Abdeckung	Tapa	
28	6102490M1	1	Relay-Micro	Relais	Relais	Relé	



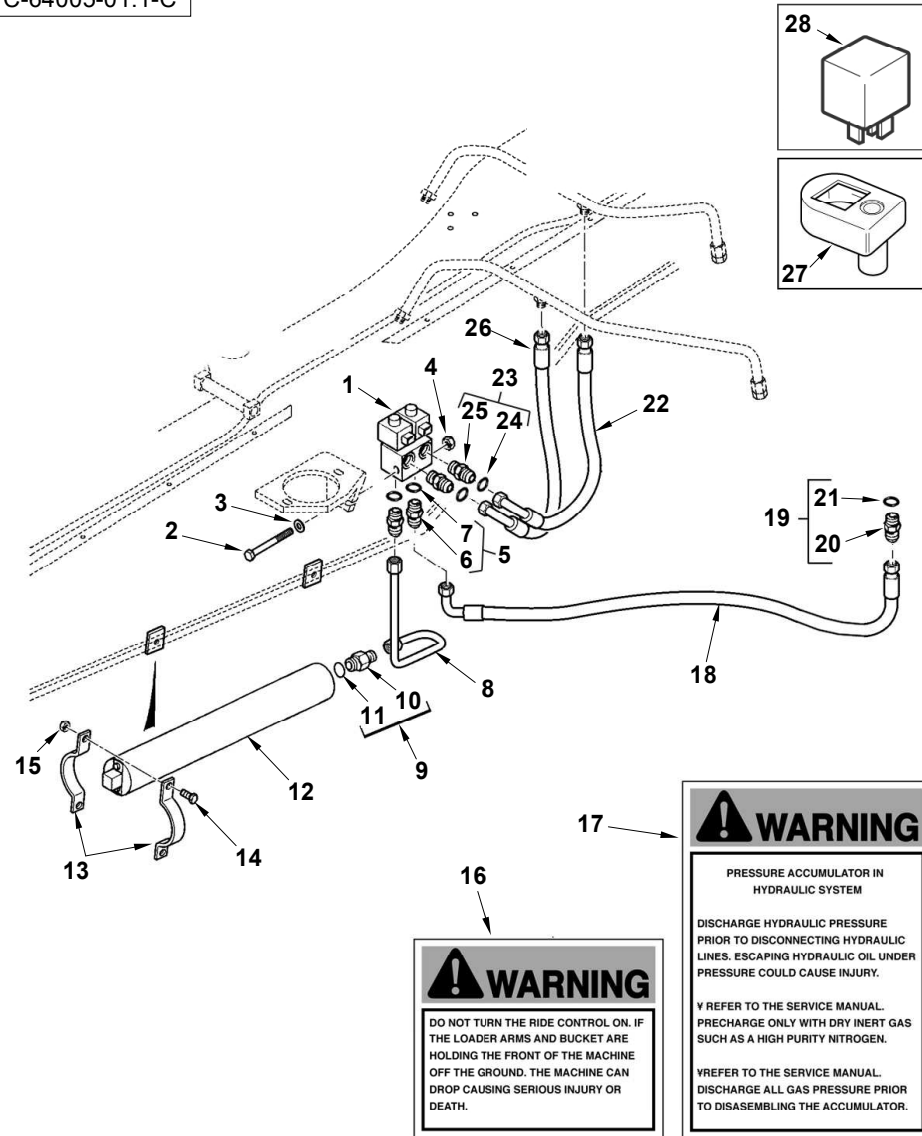
C-64004-02.1-A



Item	Part No.	Qty.	English	French	German	Spanish	Remarks
1	6100522M91	1	Solenoid Valve Assy	Soupape De Pilotage	Magnetventil	Válvula De Pilotaje	64004c01.1 1
2	#BODY	1	Body	Body	Body	Body	Ref. 1
3	6190749M91	1	Solenoid Cartridge	Solénoïde	Magnetspule	Solenoide	
4	#NUT	1	Nut	Ecrou	Mutter	Tuerca	Ref. 3
5	#SPOOL	1	Spool	Spool	Spool	Spool	Ref. 3
6	6190752M91	1	Kit Seal	Jeu Étanchéité	Dichtringsatz	Juego De Juntas	
7	6191096M91	1	Coil Assy.	Bobine	Wicklung, Spule	Bobina	
8	6190750M91	1	Solenoid Cartridge	Solénoïde	Magnetspule	Solenoide	
9	#NUT	1	Nut	Ecrou	Mutter	Tuerca	Ref. 8
10	#SPOOL	1	Spool	Spool	Spool	Spool	Ref. 8
11	6190752M91	1	Kit Seal	Jeu Étanchéité	Dichtringsatz	Juego De Juntas	
12	6191096M91	1	Coil Assy.	Bobine	Wicklung, Spule	Bobina	



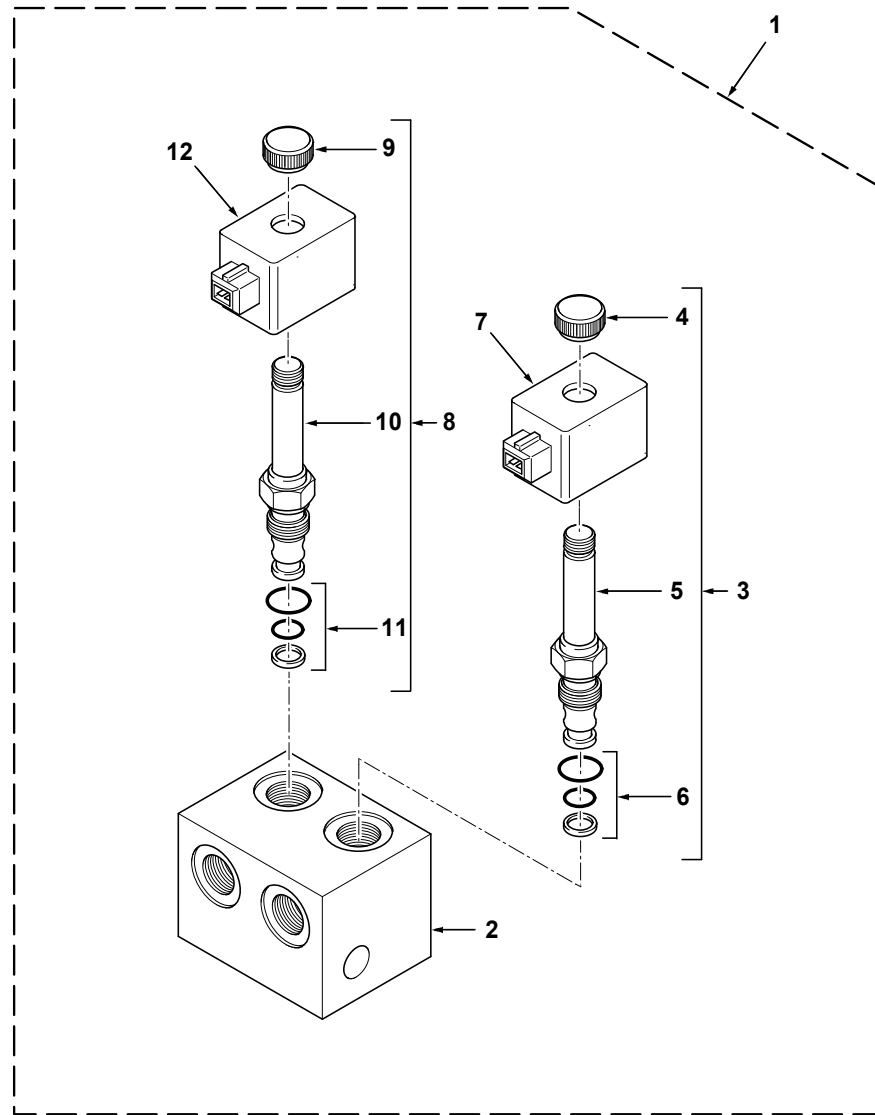
C-64005-01.1-C



Item	Part No.	Qty.	English	French	German	Spanish	Remarks
1	6100522M91	1	Solenoid Valve Assy	Soupape De Pilotage	Magnetventil	Válvula De Pilotaje	64005c02.1 1
2	3009504X1	1	Bolt M10-100 Z5s	Goupille	Bolzen M10 X 100	Tornillo	
3	385362X1	1	Washer, Hardened - M10	Rondelle - M10	Unterlegscheibe M10	Arandela	
4	1440329X1	1	Nut, Hex. - Nyloc, M10	Ecrou Blocage	Flachmutter M10	Tuerca De Retención	
5	358743X91	2	Connector & O Ring	Borne	Doppelnippel	Unión	
6	#UNION	1	Union	Union	Union	Union	Ref. 5
7	831497M1	1	O-Ring	Joint Torique	O-Ring	Junta De Tipo O	
8	6109373M91	1	Tube-Acum/R.Contrl Valve	Tuyauterie	Rohr Kpl	Conjunto De Tubería	
9	3519179M91	1	Connector	Borne	Doppelnippel	Conexión, Conj.	
10	#UNION	1	Union	Union	Union	Union	Ref. 9
11	831452M1	1	O Ring (Pack Of 10)	Joint Torique	O Ring	Junta De Tipo O	
12	6106193M92	1	Accumulator - Ride Control	Accumulateur	Akkumulator	Acumulador	
13	6101361M1	4	Clamp-Accumulator	Collier De Serrage	Halteschelle	Brida De Fijación	
14	339337X1	4	Bolt M8-30 Z5f	Goupille	Bolzen - M8 X 30	Perno	
15	394367X1	4	Nut, Hex. - Nyloc, M8	Ecrou Blocage M8	Flachmutter - M8	Tuerca De Retención	
16	256465A1	1	Decal - German	Adhésif	Aufkleber	Adhesivo	
17	256454A1	1	Decal - German	Adhésif	Aufkleber	Adhesivo	
18	6109375M91	1	Hose Assy - Return Ride Control	Flexible Ass.	Schlauch Kpl	Flexible, Conj.	
19	6109376M91	1	Adaptor	Adaptateur	Reduzienippel	Conexión, Conj.	
20	#CONNECTOR	1	Connector	Connector	Connector	Connector	Ref. 19
21	835026M1	1	O-Ring	Joint Torique	O-Ring	Junta De Tipo O	
22	6109468M91	1	Hose Assy - Ride Control	Flexible Ass.	Schlauch Kpl	Flexible, Conj.	
23	360202X91	2	Connector 9/16 X 3/4	Adaptateur	Reduzienippel	Unión	
24	#UNION	1	Union	Union	Union	Union	Ref. 23
25	831497M1	1	O-Ring	Joint Torique	O-Ring	Junta De Tipo O	
26	6110180M91	1	Hose Assy - Ride Control	Flexible Ass.	Schlauch Kpl	Flexible, Conj.	
27	6101777M91	1	Cover Assy. - Switch Operating	Cache	Abdeckung	Tapa	
28	6102490M1	1	Relay-Micro	Relais	Relais	Relé	

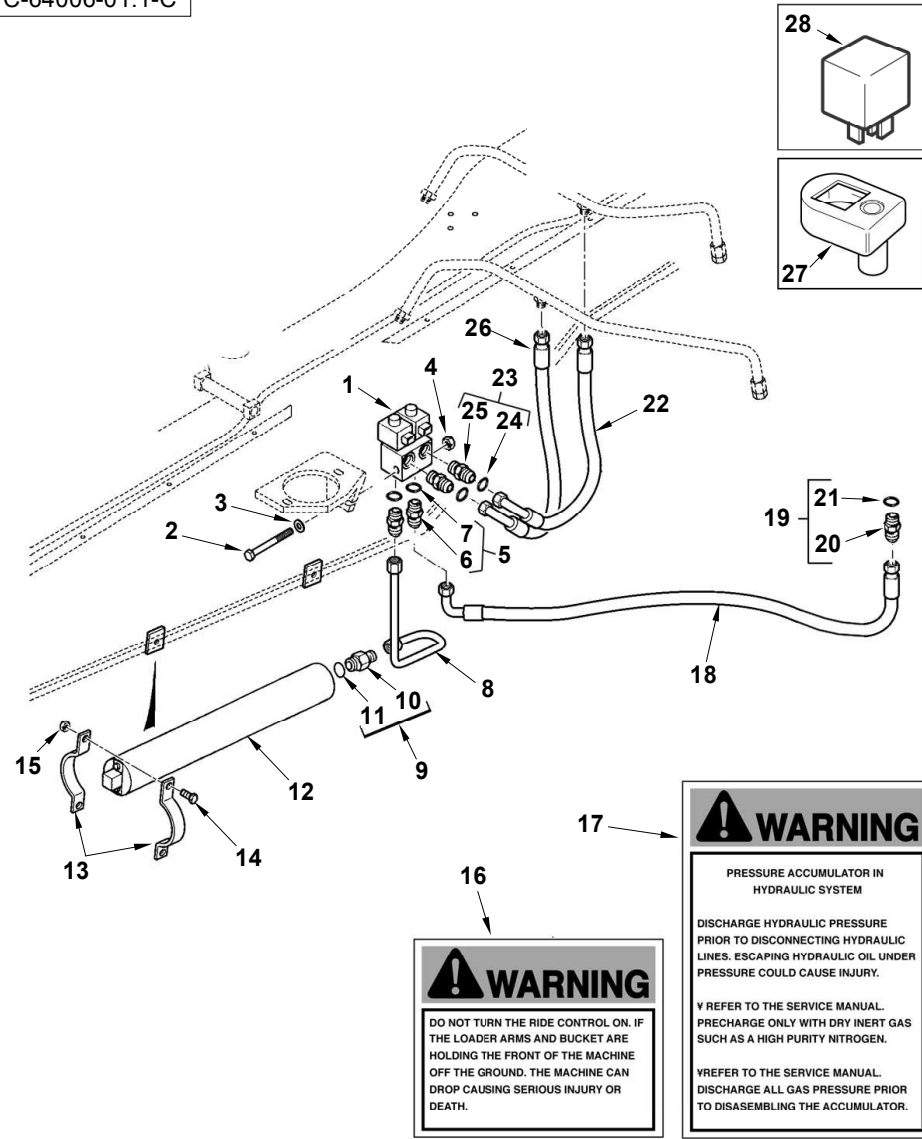


C-64005-02.1-A



Item	Part No.	Qty.	English	French	German	Spanish	Remarks
1	6100522M91	1	Solenoid Valve Assy	Soupape De Pilotage	Magnetventil	Válvula De Pilotaje	64005c01.1 1
2	#BODY	1	Body	Body	Body	Body	Ref. 1
3	6190749M91	1	Solenoid Cartridge	Solénoïde	Magnetspule	Solenoide	
4	#NUT	1	Nut	Ecrou	Mutter	Tuerca	Ref. 3
5	#SPOOL	1	Spool	Spool	Spool	Spool	Ref. 3
6	6190752M91	1	Kit Seal	Jeu Étanchéité	Dichtringsatz	Juego De Juntas	
7	6191096M91	1	Coil Assy.	Bobine	Wicklung, Spule	Bobina	
8	6190750M91	1	Solenoid Cartridge	Solénoïde	Magnetspule	Solenoide	
9	#NUT	1	Nut	Ecrou	Mutter	Tuerca	Ref. 8
10	#SPOOL	1	Spool	Spool	Spool	Spool	Ref. 8
11	6190752M91	1	Kit Seal	Jeu Étanchéité	Dichtringsatz	Juego De Juntas	
12	6191096M91	1	Coil Assy.	Bobine	Wicklung, Spule	Bobina	

C-64006-01.1-C



WARNING

DO NOT TURN THE RIDE CONTROL ON. IF THE LOADER ARMS AND BUCKET ARE HOLDING THE FRONT OF THE MACHINE OFF THE GROUND, THE MACHINE CAN DROP CAUSING SERIOUS INJURY OR DEATH.

WARNING

PRESSURE ACCUMULATOR IN HYDRAULIC SYSTEM

DISCHARGE HYDRAULIC PRESSURE PRIOR TO DISCONNECTING HYDRAULIC LINES. ESCAPING HYDRAULIC OIL UNDER PRESSURE COULD CAUSE INJURY.

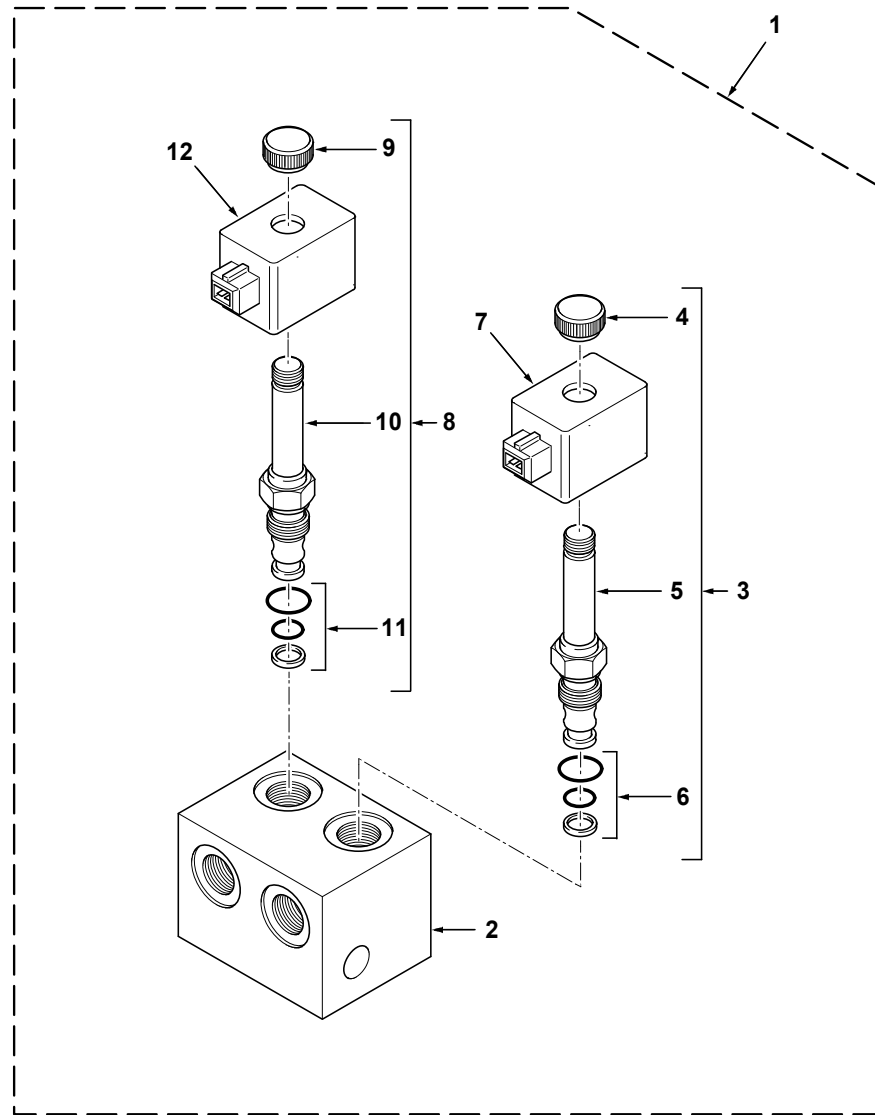
REFER TO THE SERVICE MANUAL. PRECHARGE ONLY WITH DRY INERT GAS SUCH AS A HIGH PURITY NITROGEN.

REFER TO THE SERVICE MANUAL. DISCHARGE ALL GAS PRESSURE PRIOR TO DISASSEMBLING THE ACCUMULATOR.

Item	Part No.	Qty.	English	French	German	Spanish	Remarks
1	6100522M91	1	Solenoid Valve Assy	Soupape De Pilotage	Magnetventil	Válvula De Pilotaje	64006c02.1 1
2	3009504X1	1	Bolt M10-100 Z5s	Goupille	Bolzen M10 X 100	Tornillo	
3	385362X1	1	Washer, Hardened - M10	Rondelle - M10	Unterlegscheibe M10	Arandela	
4	1440329X1	1	Nut, Hex. - Nyloc, M10	Ecrou Blocage	Flachmutter M10	Tuerca De Retención	
5	358743X91	2	Connector & O Ring	Borne	Doppelnippel	Unión	
6	#UNION	1	Union	Union	Union	Union	Ref. 5
7	831497M1	1	O-Ring	Joint Torique	O-Ring	Junta De Tipo O	
8	6109373M91	1	Tube-Acum/R.Contrl Valve	Tuyauterie	Rohr Kpl	Conjunto De Tubería	
9	3519179M91	1	Connector	Borne	Doppelnippel	Conexión, Conj.	
10	#UNION	1	Union	Union	Union	Union	Ref. 9
11	831452M1	1	O Ring (Pack Of 10)	Joint Torique	O Ring	Junta De Tipo O	
12	6106193M92	1	Accumulator - Ride Control	Accumulateur	Akkumulator	Acumulador	
13	6101361M1	4	Clamp-Accumulator	Collier De Serrage	Halteschelle	Brida De Fijación	
14	339337X1	4	Bolt M8-30 Z5f	Goupille	Bolzen - M8 X 30	Perno	
15	394367X1	4	Nut, Hex. - Nyloc, M8	Ecrou Blocage M8	Flachmutter - M8	Tuerca De Retención	
16	256468A1	1	Decal - Italian	Adhésif	Aufkleber	Adhesivo	
17	256457A1	1	Decal - Italian	Adhésif	Aufkleber	Adhesivo	
18	6109375M91	1	Hose Assy - Return Ride Control	Flexible Ass.	Schlauch Kpl	Flexible, Conj.	
19	6109376M91	1	Adaptor	Adaptateur	Reduzienippel	Conexión, Conj.	
20	#CONNECTOR	1	Connector	Connector	Connector	Connector	Ref. 19
21	835026M1	1	O-Ring	Joint Torique	O-Ring	Junta De Tipo O	
22	6109468M91	1	Hose Assy - Ride Control	Flexible Ass.	Schlauch Kpl	Flexible, Conj.	
23	360202X91	2	Connector 9/16 X 3/4	Adaptateur	Reduzienippel	Unión	
24	#UNION	1	Union	Union	Union	Union	Ref. 23
25	831497M1	1	O-Ring	Joint Torique	O-Ring	Junta De Tipo O	
26	6110180M91	1	Hose Assy - Ride Control	Flexible Ass.	Schlauch Kpl	Flexible, Conj.	
27	6101777M91	1	Cover Assy. - Switch Operating	Cache	Abdeckung	Tapa	
28	6102490M1	1	Relay-Micro	Relais	Relais	Relé	



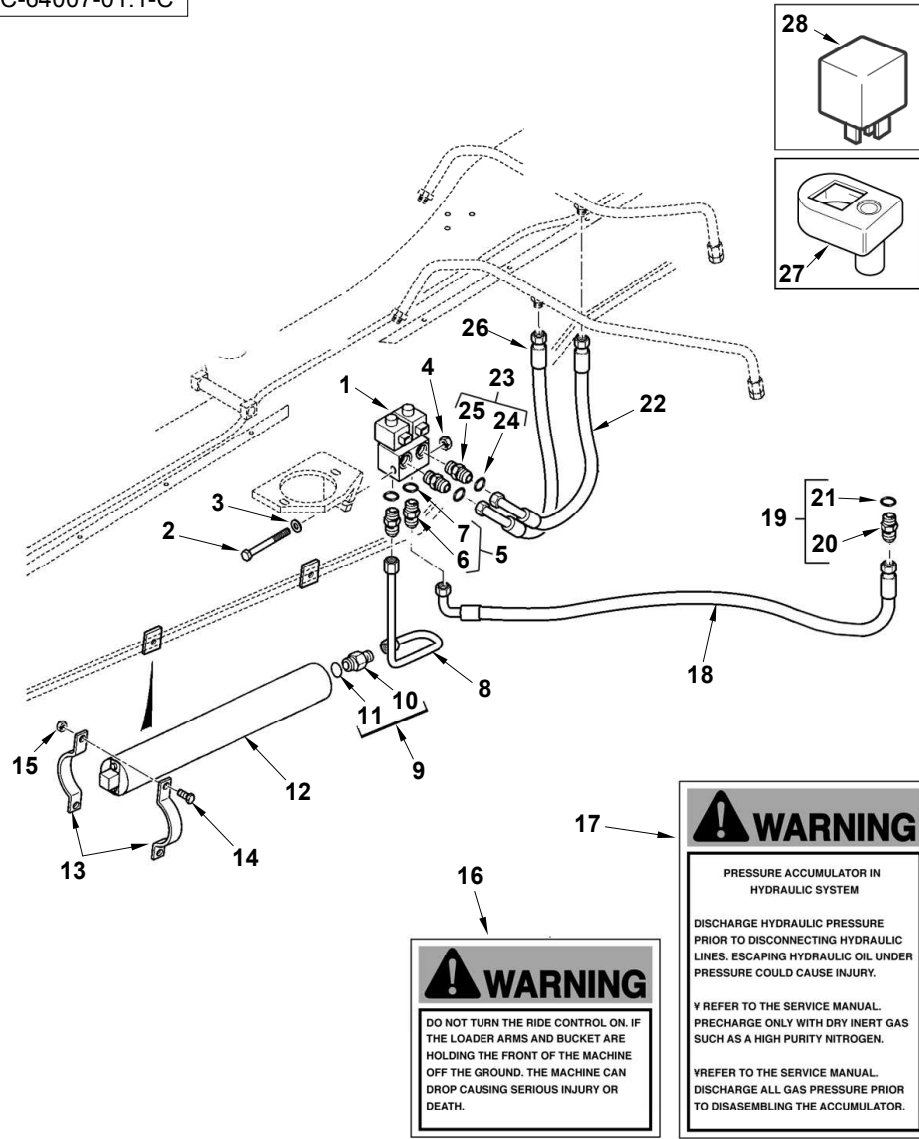
C-64006-02.1-A



Item	Part No.	Qty.	English	French	German	Spanish	Remarks
1	6100522M91	1	Solenoid Valve Assy	Soupape De Pilotage	Magnetventil	Válvula De Pilotaje	64006c01.1 1
2	#BODY	1	Body	Body	Body	Body	Ref. 1
3	6190749M91	1	Solenoid Cartridge	Solénoïde	Magnetspule	Solenoide	
4	#NUT	1	Nut	Ecrou	Mutter	Tuerca	Ref. 3
5	#SPOOL	1	Spool	Spool	Spool	Spool	Ref. 3
6	6190752M91	1	Kit Seal	Jeu Étanchéité	Dichtringsatz	Juego De Juntas	
7	6191096M91	1	Coil Assy.	Bobine	Wicklung, Spule	Bobina	
8	6190750M91	1	Solenoid Cartridge	Solénoïde	Magnetspule	Solenoide	
9	#NUT	1	Nut	Ecrou	Mutter	Tuerca	Ref. 8
10	#SPOOL	1	Spool	Spool	Spool	Spool	Ref. 8
11	6190752M91	1	Kit Seal	Jeu Étanchéité	Dichtringsatz	Juego De Juntas	
12	6191096M91	1	Coil Assy.	Bobine	Wicklung, Spule	Bobina	



C-64007-01.1-C



WARNING

DO NOT TURN THE RIDE CONTROL ON. IF THE LOADER ARMS AND BUCKET ARE HOLDING THE FRONT OF THE MACHINE OFF THE GROUND. THE MACHINE CAN DROP CAUSING SERIOUS INJURY OR DEATH.

WARNING

PRESSURE ACCUMULATOR IN HYDRAULIC SYSTEM

DISCHARGE HYDRAULIC PRESSURE PRIOR TO DISCONNECTING HYDRAULIC LINES. ESCAPING HYDRAULIC OIL UNDER PRESSURE COULD CAUSE INJURY.

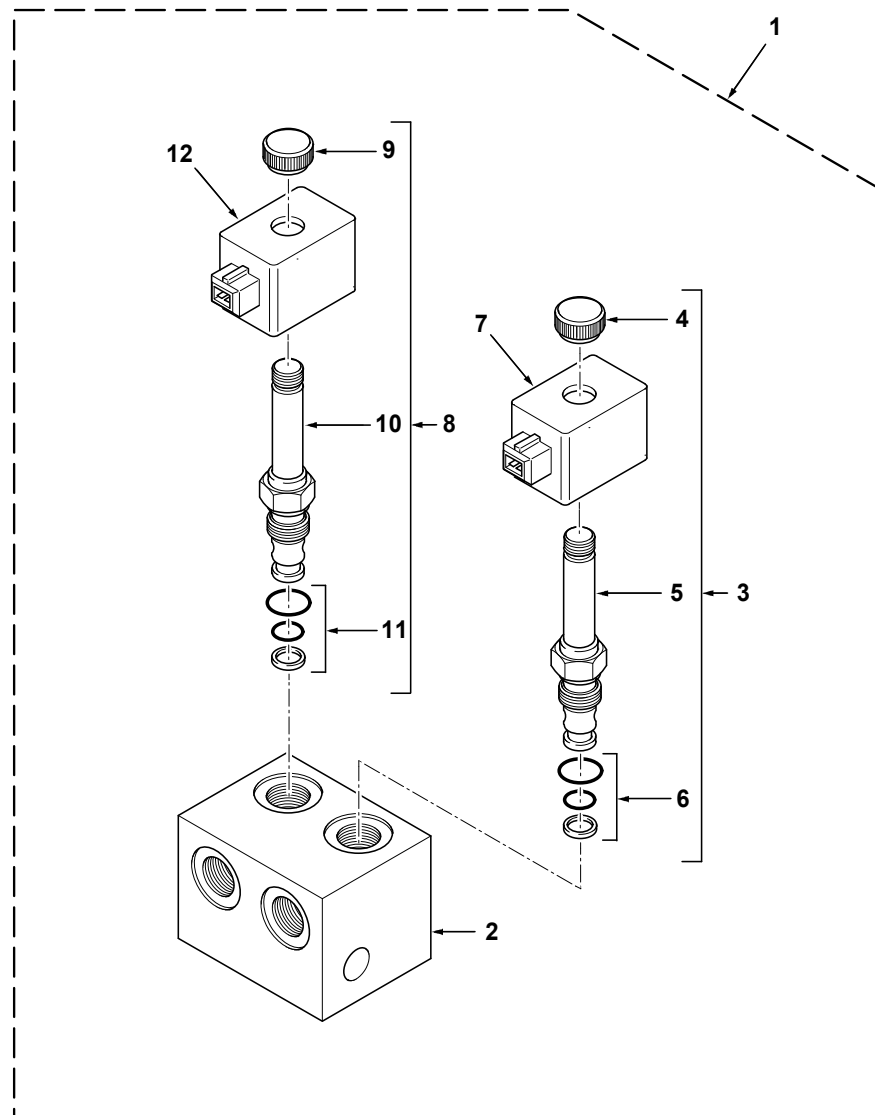
REFER TO THE SERVICE MANUAL. PRECHARGE ONLY WITH DRY INERT GAS SUCH AS A HIGH PURITY NITROGEN.

REFER TO THE SERVICE MANUAL. DISCHARGE ALL GAS PRESSURE PRIOR TO DISASSEMBLING THE ACCUMULATOR.

Item	Part No.	Qty.	English	French	German	Spanish	Remarks
1	6100522M91	1	Solenoid Valve Assy	Soupape De Pilotage	Magnetventil	Válvula De Pilotaje	64007c02.1 1
2	3009504X1	1	Bolt M10-100 Z5s	Goupille	Bolzen M10 X 100	Tornillo	
3	385362X1	1	Washer, Hardened - M10	Rondelle - M10	Unterlegscheibe M10	Arandela	
4	1440329X1	1	Nut, Hex. - Nyloc, M10	Ecrou Blocage	Flachmutter M10	Tuerca De Retención	
5	358743X91	2	Connector & O Ring	Borne	Doppelnippel	Unión	
6	#UNION	1	Union	Union	Union	Union	Ref. 5
7	831497M1	1	O-Ring	Joint Torique	O-Ring	Junta De Tipo O	
8	6109373M91	1	Tube-Acum/R.Contrl Valve	Tuyauterie	Rohr Kpl	Conjunto De Tubería	
9	3519179M91	1	Connector	Borne	Doppelnippel	Conexión, Conj.	
10	#UNION	1	Union	Union	Union	Union	Ref. 9
11	831452M1	1	O Ring (Pack Of 10)	Joint Torique	O Ring	Junta De Tipo O	
12	6106193M92	1	Accumulator - Ride Control	Accumulateur	Akkumulator	Acumulador	
13	6101361M1	4	Clamp-Accumulator	Collier De Serrage	Halteschelle	Brida De Fijación	
14	339337X1	4	Bolt M8-30 Z5f	Goupille	Bolzen - M8 X 30	Perno	
15	394367X1	4	Nut, Hex. - Nyloc, M8	Ecrou Blocage M8	Flachmutter - M8	Tuerca De Retención	
16	256467A1	1	Decal - Spanish	Adhésif	Aufkleber	Adhesivo	
17	256456A1	1	Decal - Spanish	Adhésif	Aufkleber	Adhesivo	
18	6109375M91	1	Hose Assy - Return Ride Control	Flexible Ass.	Schlauch Kpl	Flexible, Conj.	
19	6109376M91	1	Adaptor	Adaptateur	Reduzienippel	Conexión, Conj.	
20	#CONNECTOR	1	Connector	Connector	Connector	Connector	Ref. 19
21	835026M1	1	O-Ring	Joint Torique	O-Ring	Junta De Tipo O	
22	6109468M91	1	Hose Assy - Ride Control	Flexible Ass.	Schlauch Kpl	Flexible, Conj.	
23	360202X91	2	Connector 9/16 X 3/4	Adaptateur	Reduzienippel	Unión	
24	#UNION	1	Union	Union	Union	Union	Ref. 23
25	831497M1	1	O-Ring	Joint Torique	O-Ring	Junta De Tipo O	
26	6110180M91	1	Hose Assy - Ride Control	Flexible Ass.	Schlauch Kpl	Flexible, Conj.	
27	6101777M91	1	Cover Assy. - Switch Operating	Cache	Abdeckung	Tapa	
28	6102490M1	1	Relay-Micro	Relais	Relais	Relé	

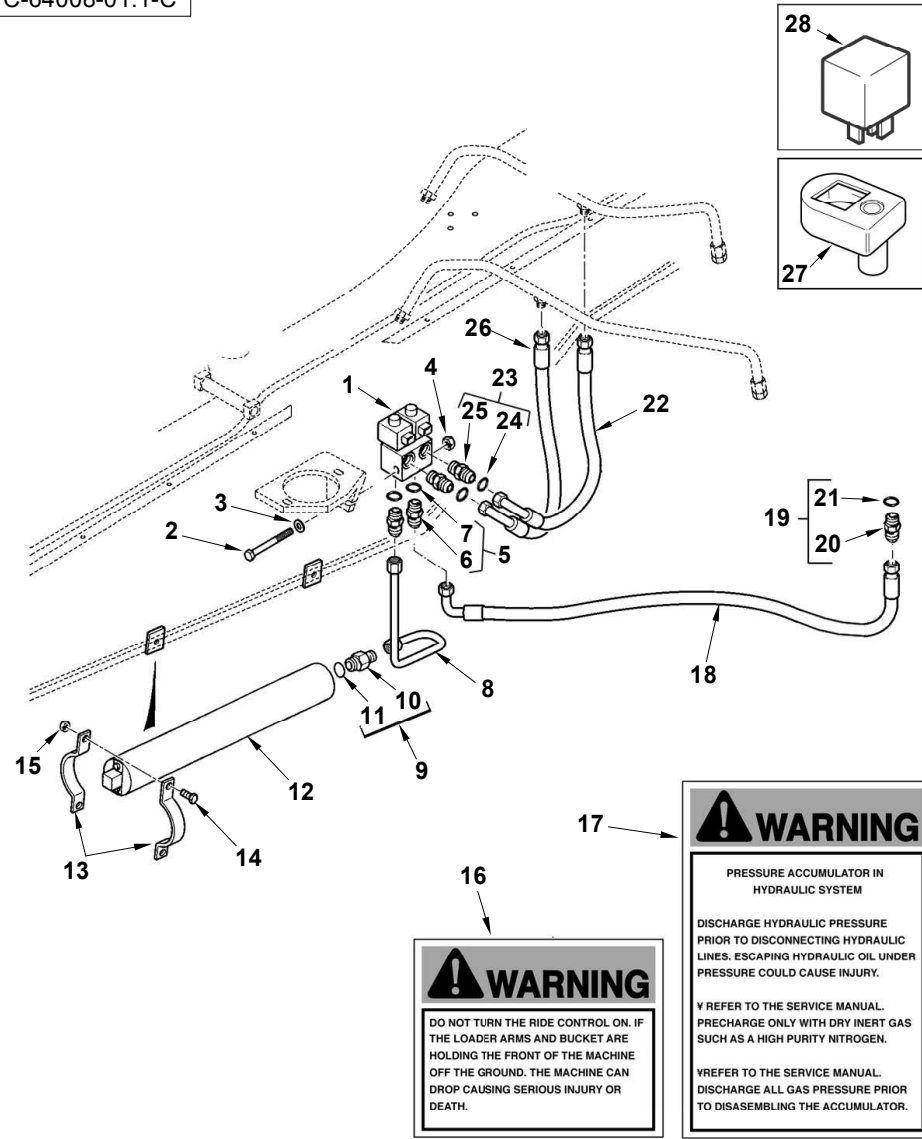


C-64007-02.1-A



Item	Part No.	Qty.	English	French	German	Spanish	Remarks
1	6100522M91	1	Solenoid Valve Assy	Soupape De Pilotage	Magnetventil	Válvula De Pilotaje	64007c01.1 1
2	#BODY	1	Body	Body	Body	Body	Ref. 1
3	6190749M91	1	Solenoid Cartridge	Solénoïde	Magnetspule	Solenoide	
4	#NUT	1	Nut	Ecrou	Mutter	Tuerca	Ref. 3
5	#SPOOL	1	Spool	Spool	Spool	Spool	Ref. 3
6	6190752M91	1	Kit Seal	Jeu Étanchéité	Dichtringsatz	Juego De Juntas	
7	6191096M91	1	Coil Assy.	Bobine	Wicklung, Spule	Bobina	
8	6190750M91	1	Solenoid Cartridge	Solénoïde	Magnetspule	Solenoide	
9	#NUT	1	Nut	Ecrou	Mutter	Tuerca	Ref. 8
10	#SPOOL	1	Spool	Spool	Spool	Spool	Ref. 8
11	6190752M91	1	Kit Seal	Jeu Étanchéité	Dichtringsatz	Juego De Juntas	
12	6191096M91	1	Coil Assy.	Bobine	Wicklung, Spule	Bobina	

C-64008-01.1-C



WARNING

DO NOT TURN THE RIDE CONTROL ON. IF THE LOADER ARMS AND BUCKET ARE HOLDING THE FRONT OF THE MACHINE OFF THE GROUND, THE MACHINE CAN DROP CAUSING SERIOUS INJURY OR DEATH.

WARNING

PRESSURE ACCUMULATOR IN HYDRAULIC SYSTEM

DISCHARGE HYDRAULIC PRESSURE PRIOR TO DISCONNECTING HYDRAULIC LINES. ESCAPING HYDRAULIC OIL UNDER PRESSURE COULD CAUSE INJURY.

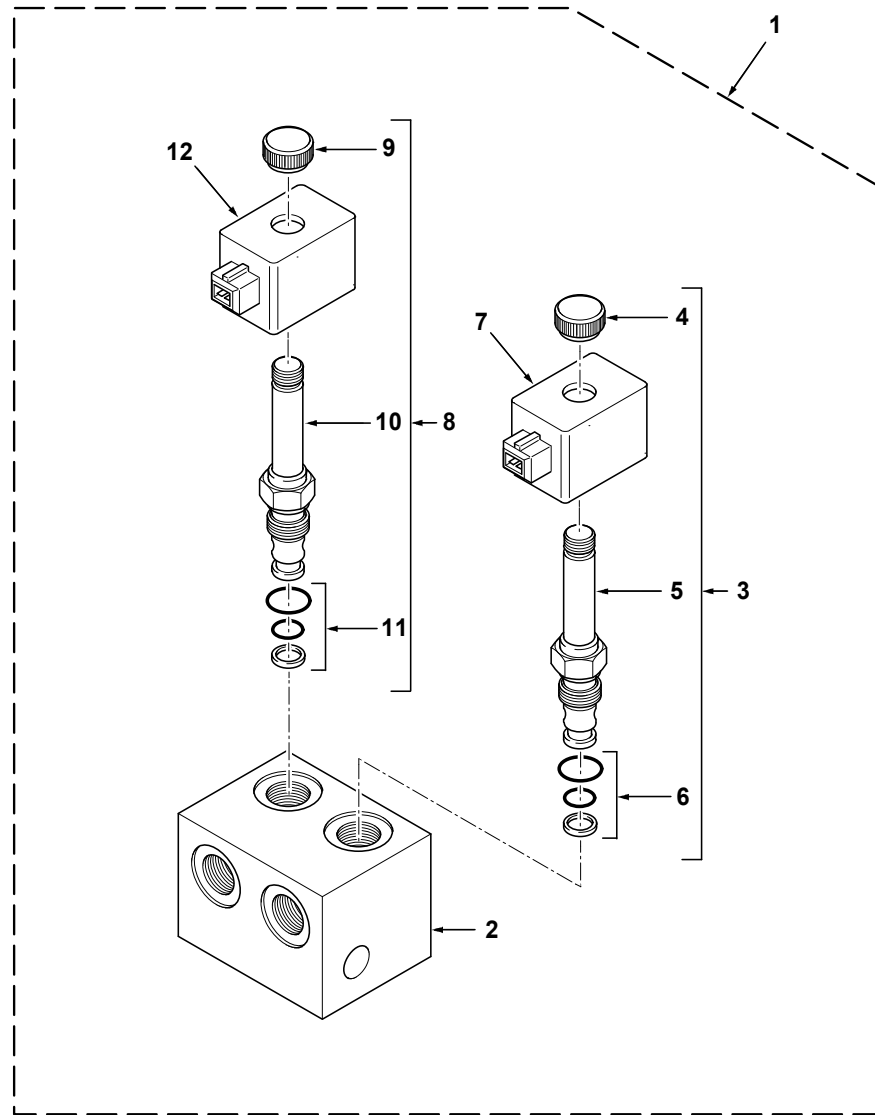
REFER TO THE SERVICE MANUAL. PRECHARGE ONLY WITH DRY INERT GAS SUCH AS A HIGH PURITY NITROGEN.

REFER TO THE SERVICE MANUAL. DISCHARGE ALL GAS PRESSURE PRIOR TO DISASSEMBLING THE ACCUMULATOR.

Item	Part No.	Qty.	English	French	German	Spanish	Remarks
1	6100522M91	1	Solenoid Valve Assy	Soupape De Pilotage	Magnetventil	Válvula De Pilotaje	64008c02.1 1
2	3009504X1	1	Bolt M10-100 Z5s	Goupille	Bolzen M10 X 100	Tornillo	
3	385362X1	1	Washer, Hardened - M10	Rondelle - M10	Unterlegscheibe M10	Arandela	
4	1440329X1	1	Nut, Hex. - Nyloc, M10	Ecrou Blocage	Flachmutter M10	Tuerca De Retención	
5	358743X91	2	Connector & O Ring	Borne	Doppelnippel	Unión	
6	#UNION	1	Union	Union	Union	Union	Ref. 5
7	831497M1	1	O-Ring	Joint Torique	O-Ring	Junta De Tipo O	
8	6109373M91	1	Tube-Acum/R.Contrl Valve	Tuyauterie	Rohr Kpl	Conjunto De Tubería	
9	3519179M91	1	Connector	Borne	Doppelnippel	Conexión, Conj.	
10	#UNION	1	Union	Union	Union	Union	Ref. 9
11	831452M1	1	O Ring (Pack Of 10)	Joint Torique	O Ring	Junta De Tipo O	
12	6106193M92	1	Accumulator - Ride Control	Accumulateur	Akkumulator	Acumulador	
13	6101361M1	4	Clamp-Accumulator	Collier De Serrage	Halteschelle	Brida De Fijación	
14	339337X1	4	Bolt M8-30 Z5f	Goupille	Bolzen - M8 X 30	Perno	
15	394367X1	4	Nut, Hex. - Nyloc, M8	Ecrou Blocage M8	Flachmutter - M8	Tuerca De Retención	
16	256474A1	1	Decal Rcs Dut	Adhésif	Aufkleber	Adhesivo	
17	256463A1	1	Decal Rcs Dut	Adhésif	Aufkleber	Adhesivo	
18	6109375M91	1	Hose Assy - Return Ride Control	Flexible Ass.	Schlauch Kpl	Flexible, Conj.	
19	6109376M91	1	Adaptor	Adaptateur	Reduzienippel	Conexión, Conj.	
20	#CONNECTOR	1	Connector	Connector	Connector	Connector	Ref. 19
21	835026M1	1	O-Ring	Joint Torique	O-Ring	Junta De Tipo O	
22	6109468M91	1	Hose Assy - Ride Control	Flexible Ass.	Schlauch Kpl	Flexible, Conj.	
23	360202X91	2	Connector 9/16 X 3/4	Adaptateur	Reduzienippel	Unión	
24	#UNION	1	Union	Union	Union	Union	Ref. 23
25	831497M1	1	O-Ring	Joint Torique	O-Ring	Junta De Tipo O	
26	6110180M91	1	Hose Assy - Ride Control	Flexible Ass.	Schlauch Kpl	Flexible, Conj.	
27	6101777M91	1	Cover Assy. - Switch Operating	Cache	Abdeckung	Tapa	
28	6102490M1	1	Relay-Micro	Relais	Relais	Relé	



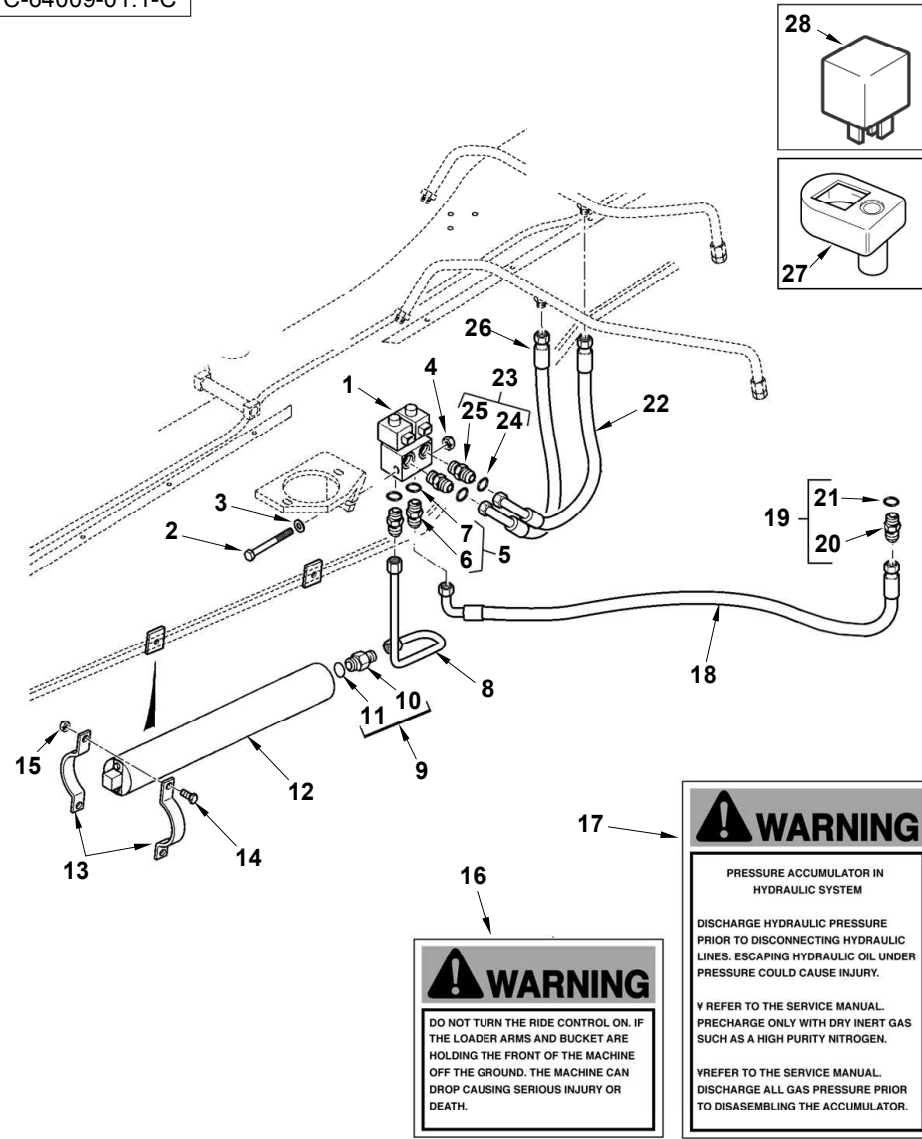
C-64008-02.1-A



Item	Part No.	Qty.	English	French	German	Spanish	Remarks
1	6100522M91	1	Solenoid Valve Assy	Soupape De Pilotage	Magnetventil	Válvula De Pilotaje	64008c01.1 1
2	#BODY	1	Body	Body	Body	Body	Ref. 1
3	6190749M91	1	Solenoid Cartridge	Solénoïde	Magnetspule	Solenoide	
4	#NUT	1	Nut	Ecrou	Mutter	Tuerca	Ref. 3
5	#SPOOL	1	Spool	Spool	Spool	Spool	Ref. 3
6	6190752M91	1	Kit Seal	Jeu Étanchéité	Dichtringsatz	Juego De Juntas	
7	6191096M91	1	Coil Assy.	Bobine	Wicklung, Spule	Bobina	
8	6190750M91	1	Solenoid Cartridge	Solénoïde	Magnetspule	Solenoide	
9	#NUT	1	Nut	Ecrou	Mutter	Tuerca	Ref. 8
10	#SPOOL	1	Spool	Spool	Spool	Spool	Ref. 8
11	6190752M91	1	Kit Seal	Jeu Étanchéité	Dichtringsatz	Juego De Juntas	
12	6191096M91	1	Coil Assy.	Bobine	Wicklung, Spule	Bobina	



C-64009-01.1-C



WARNING

DO NOT TURN THE RIDE CONTROL ON. IF THE LOADER ARMS AND BUCKET ARE HOLDING THE FRONT OF THE MACHINE OFF THE GROUND, THE MACHINE CAN DROP CAUSING SERIOUS INJURY OR DEATH.

WARNING

PRESSURE ACCUMULATOR IN HYDRAULIC SYSTEM

DISCHARGE HYDRAULIC PRESSURE PRIOR TO DISCONNECTING HYDRAULIC LINES. ESCAPING HYDRAULIC OIL UNDER PRESSURE COULD CAUSE INJURY.

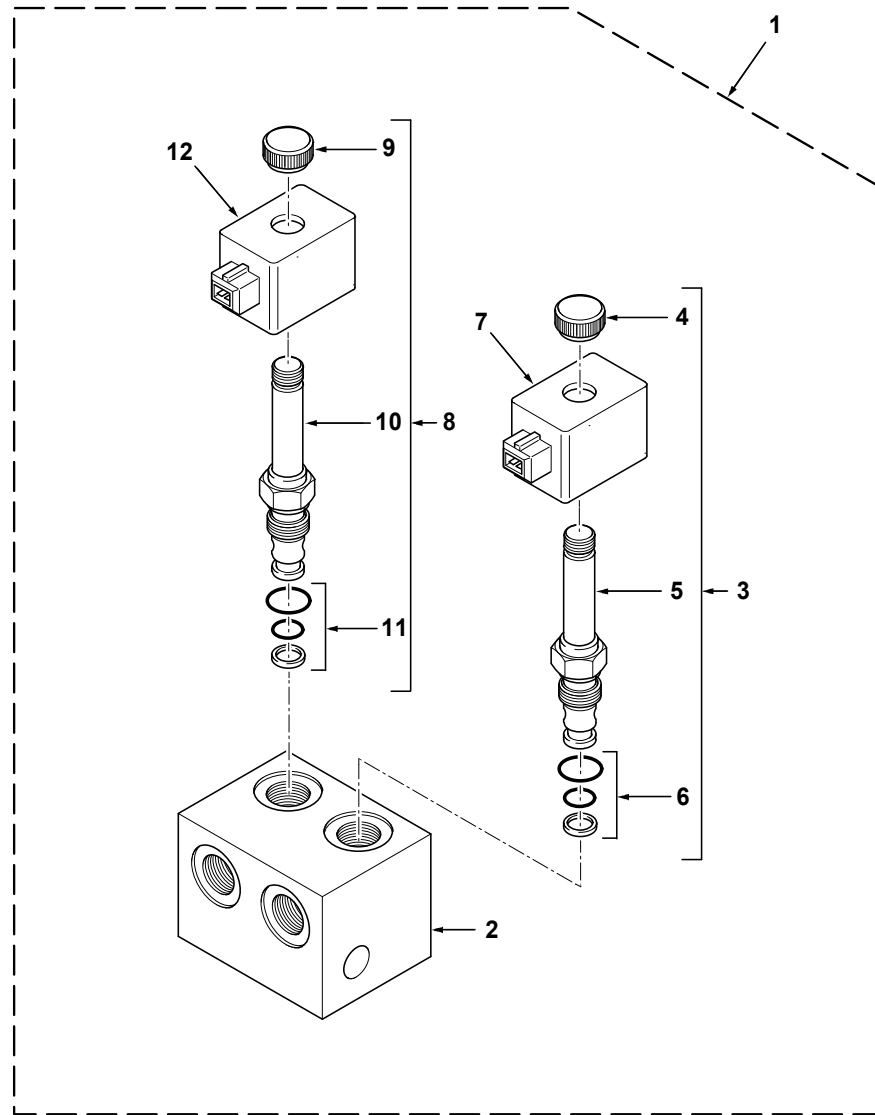
REFER TO THE SERVICE MANUAL. PRECHARGE ONLY WITH DRY INERT GAS SUCH AS A HIGH PURITY NITROGEN.

REFER TO THE SERVICE MANUAL. DISCHARGE ALL GAS PRESSURE PRIOR TO DISASSEMBLING THE ACCUMULATOR.

Item	Part No.	Qty.	English	French	German	Spanish	Remarks
1	6100522M91	1	Solenoid Valve Assy	Soupape De Pilotage	Magnetventil	Válvula De Pilotaje	64009c02.1 1
2	3009504X1	1	Bolt M10-100 Z5s	Goupille	Bolzen M10 X 100	Tornillo	
3	385362X1	1	Washer, Hardened - M10	Rondelle - M10	Unterlegscheibe M10	Arandela	
4	1440329X1	1	Nut, Hex. - Nyloc, M10	Ecrou Blocage	Flachmutter M10	Tuerca De Retención	
5	358743X91	2	Connector & O Ring	Borne	Doppelnippel	Unión	
6	#UNION	1	Union	Union	Union	Union	Ref. 5
7	831497M1	1	O-Ring	Joint Torique	O-Ring	Junta De Tipo O	
8	6109373M91	1	Tube-Acum/R.Contrl Valve	Tuyauterie	Rohr Kpl	Conjunto De Tubería	
9	3519179M91	1	Connector	Borne	Doppelnippel	Conexión, Conj.	
10	#UNION	1	Union	Union	Union	Union	Ref. 9
11	831452M1	1	O Ring (Pack Of 10)	Joint Torique	O Ring	Junta De Tipo O	
12	6106193M92	1	Accumulator - Ride Control	Accumulateur	Akkumulator	Acumulador	
13	6101361M1	4	Clamp-Accumulator	Collier De Serrage	Halteschelle	Brida De Fijación	
14	339337X1	4	Bolt M8-30 Z5f	Goupille	Bolzen - M8 X 30	Perno	
15	394367X1	4	Nut, Hex. - Nyloc, M8	Ecrou Blocage M8	Flachmutter - M8	Tuerca De Retención	
16	256466A1	1	Decal - Danish	Adhésif	Aufkleber	Adhesivo	
17	256455A1	1	Decal - Danish	Adhésif	Aufkleber	Adhesivo	
18	6109375M91	1	Hose Assy - Return Ride Control	Flexible Ass.	Schlauch Kpl	Flexible, Conj.	
19	6109376M91	1	Adaptor	Adaptateur	Reduzienippel	Conexión, Conj.	
20	#CONNECTOR	1	Connector	Connector	Connector	Connector	Ref. 19
21	835026M1	1	O-Ring	Joint Torique	O-Ring	Junta De Tipo O	
22	6109468M91	1	Hose Assy - Ride Control	Flexible Ass.	Schlauch Kpl	Flexible, Conj.	
23	360202X91	2	Connector 9/16 X 3/4	Adaptateur	Reduzienippel	Unión	
24	#UNION	1	Union	Union	Union	Union	Ref. 23
25	831497M1	1	O-Ring	Joint Torique	O-Ring	Junta De Tipo O	
26	6110180M91	1	Hose Assy - Ride Control	Flexible Ass.	Schlauch Kpl	Flexible, Conj.	
27	6101777M91	1	Cover Assy. - Switch Operating	Cache	Abdeckung	Tapa	
28	6102490M1	1	Relay-Micro	Relais	Relais	Relé	

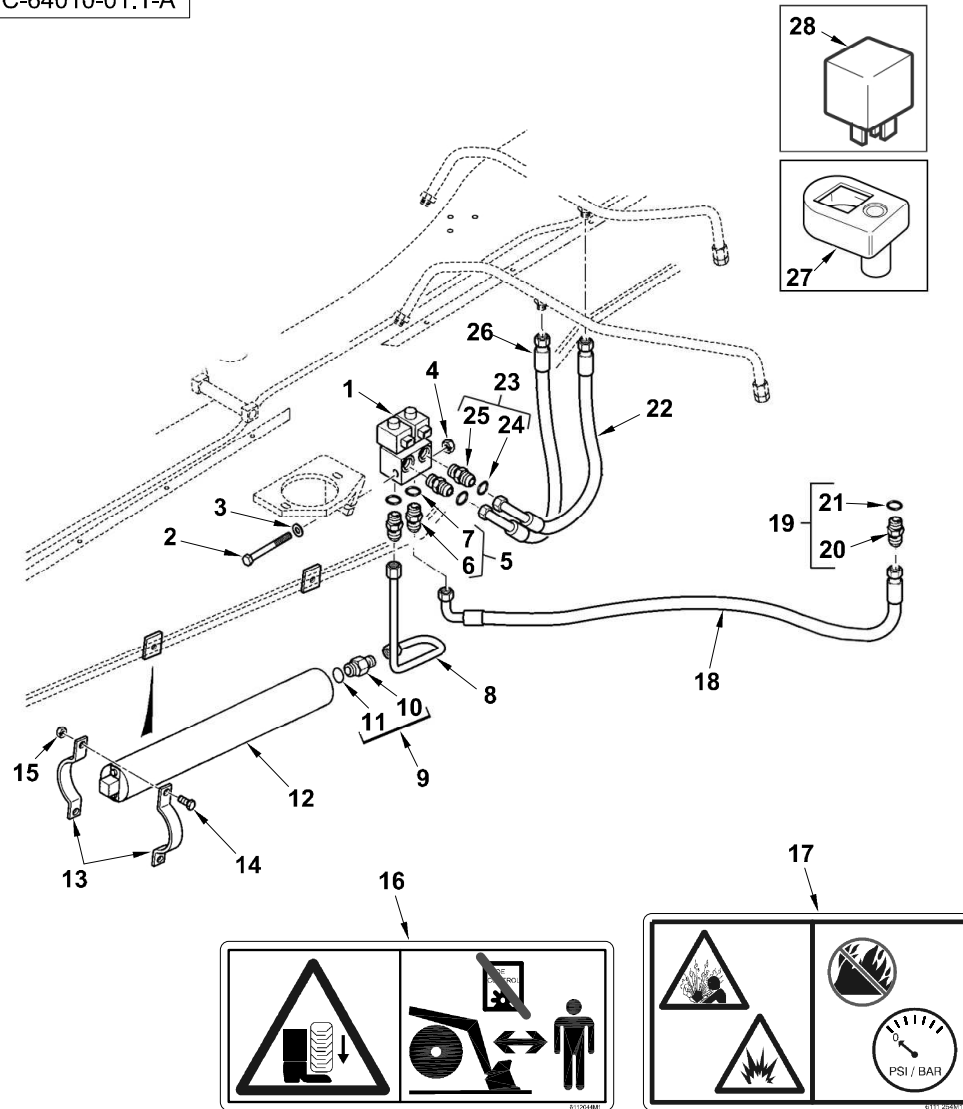


C-64009-02.1-A



Item	Part No.	Qty.	English	French	German	Spanish	Remarks
1	6100522M91	1	Solenoid Valve Assy	Soupape De Pilotage	Magnetventil	Válvula De Pilotaje	64009c01.1 1
2	#BODY	1	Body	Body	Body	Body	Ref. 1
3	6190749M91	1	Solenoid Cartridge	Solénoïde	Magnetspule	Solenoide	
4	#NUT	1	Nut	Ecrou	Mutter	Tuerca	Ref. 3
5	#SPOOL	1	Spool	Spool	Spool	Spool	Ref. 3
6	6190752M91	1	Kit Seal	Jeu Étanchéité	Dichtringsatz	Juego De Juntas	
7	6191096M91	1	Coil Assy.	Bobine	Wicklung, Spule	Bobina	
8	6190750M91	1	Solenoid Cartridge	Solénoïde	Magnetspule	Solenoide	
9	#NUT	1	Nut	Ecrou	Mutter	Tuerca	Ref. 8
10	#SPOOL	1	Spool	Spool	Spool	Spool	Ref. 8
11	6190752M91	1	Kit Seal	Jeu Étanchéité	Dichtringsatz	Juego De Juntas	
12	6191096M91	1	Coil Assy.	Bobine	Wicklung, Spule	Bobina	

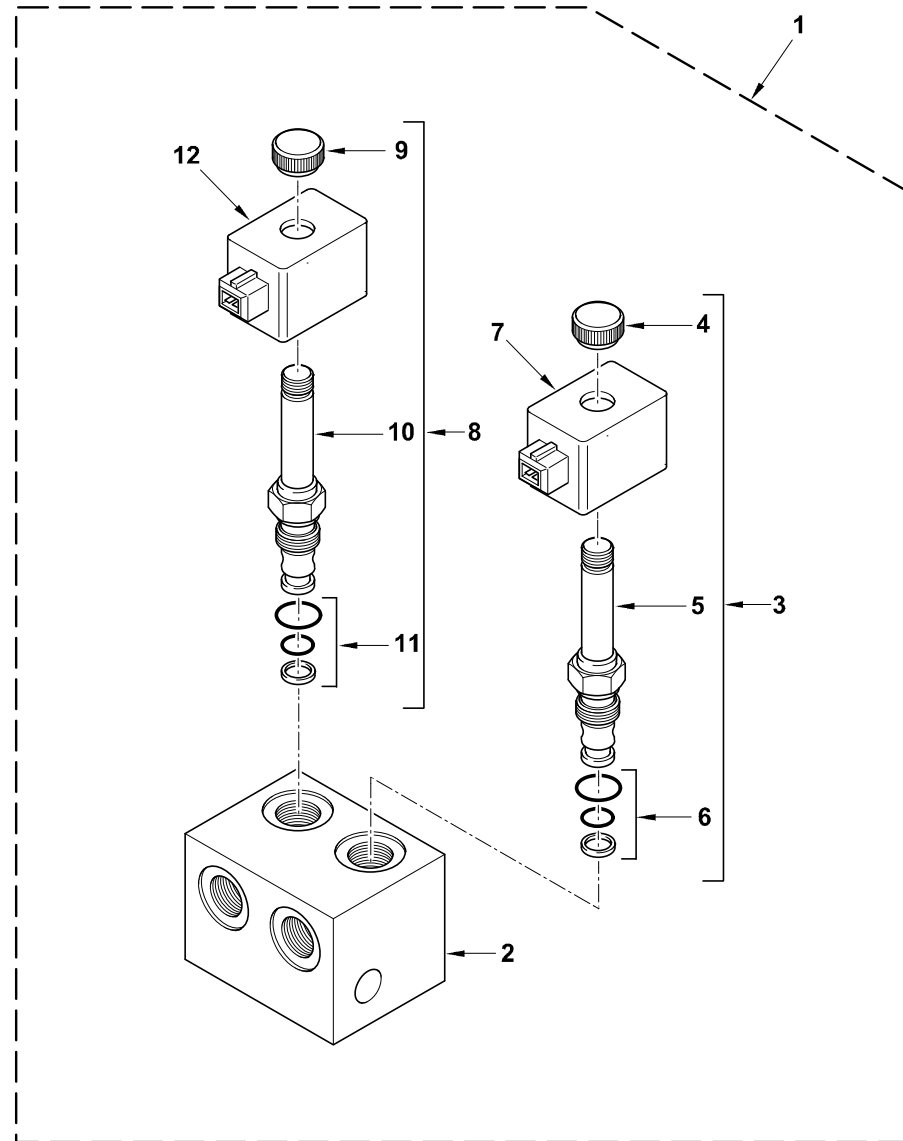
C-64010-01.1-A



Item	Part No.	Qty.	English	French	German	Spanish	Remarks
1	6100522M91	1	Solenoid Valve Assy	Soupape De Pilotage	Magnetventil	Válvula De Pilotaje	64010c02.1 1
2	3009504X1	1	Bolt M10-100 Z5s	Goupille	Bolzen M10 X 100	Tornillo	
3	385362X1	1	Washer, Hardened - M10	Rondelle - M10	Unterlegscheibe M10	Arandela	
4	1440329X1	1	Nut, Hex. - Nyloc, M10	Ecrou Blocage	Flachmutter M10	Tuerca De Retención	
5	358743X91	2	Connector & O Ring	Borne	Doppelnippel	Unión	
6	#UNION	1	Union	Union	Union	Union	Ref. 5
7	831497M1	1	O-Ring	Joint Torique	O-Ring	Junta De Tipo O	
8	6109373M91	1	Tube-Acum/R.Contrl Valve	Tuyauterie	Rohr Kpl	Conjunto De Tubería	
9	3519179M91	1	Connector	Borne	Doppelnippel	Conexión, Conj.	
10	#UNION	1	Union	Union	Union	Union	Ref. 9
11	831452M1	1	O Ring (Pack Of 10)	Joint Torique	O Ring	Junta De Tipo O	
12	6106193M92	1	Accumulator - Ride Control	Accumulateur	Akkumulator	Acumulador	
13	6101361M1	4	Clamp-Accumulator	Collier De Serrage	Halteschelle	Brida De Fijación	
14	339337X1	4	Bolt M8-30 Z5f	Goupille	Bolzen - M8 X 30	Perno	
15	394367X1	4	Nut, Hex. - Nyloc, M8	Ecrou Blocage M8	Flachmutter - M8	Tuerca De Retención	
16	6112044M1	1	Decal - Ride Control	Adhésif	Aufkleber	Adhesivo	
17	6111254M1	1	Decal - Warning Pressure	Adhésif	Aufkleber	Adhesivo	
18	6109375M91	1	Hose Assy - Return Ride Control	Flexible Ass.	Schlauch Kpl	Flexible, Conj.	
19	6109376M91	1	Adaptor	Adaptateur	Reduzienippel	Conexión, Conj.	
20	#CONNECTOR	1	Connector	Connector	Connector	Connector	Ref. 19
21	835026M1	1	O-Ring	Joint Torique	O-Ring	Junta De Tipo O	
22	6109468M91	1	Hose Assy - Ride Control	Flexible Ass.	Schlauch Kpl	Flexible, Conj.	
23	360202X91	2	Connector 9/16 X 3/4	Adaptateur	Reduzienippel	Unión	
24	#UNION	1	Union	Union	Union	Union	Ref. 23
25	831497M1	1	O-Ring	Joint Torique	O-Ring	Junta De Tipo O	
26	6110180M91	1	Hose Assy - Ride Control	Flexible Ass.	Schlauch Kpl	Flexible, Conj.	
27	6101777M91	1	Cover Assy. - Switch Operating	Cache	Abdeckung	Tapa	
28	6102490M1	1	Relay-Micro	Relais	Relais	Relé	

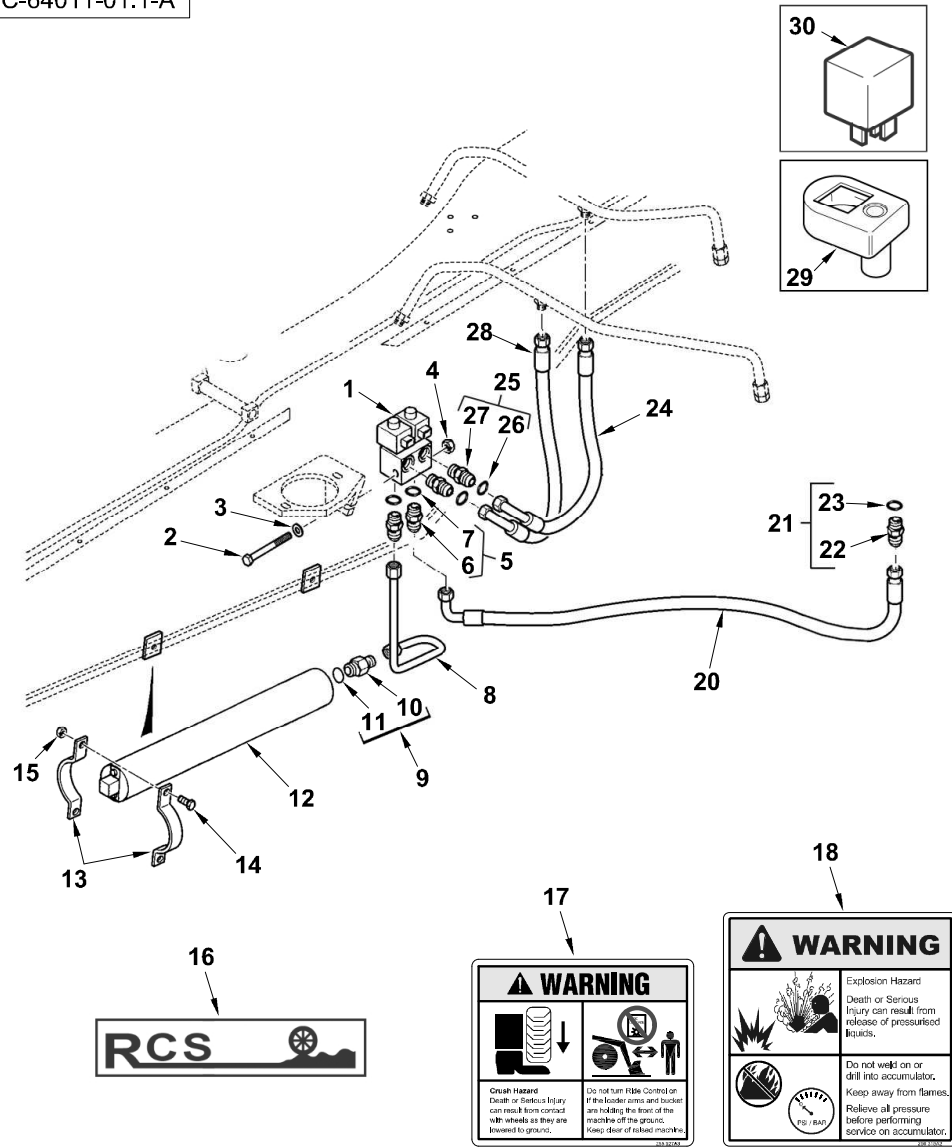


C-64010-02.1-A



Item	Part No.	Qty.	English	French	German	Spanish	Remarks
1	6100522M91	1	Solenoid Valve Assy	Soupape De Pilotage	Magnetventil	Válvula De Pilotaje	64010c01.1 1
2	#BODY	1	Body	Body	Body	Body	Ref. 1
3	6190749M91	1	Solenoid Cartridge	Solénoïde	Magnetspule	Solenoide	
4	#NUT	1	Nut	Ecrou	Mutter	Tuerca	Ref. 3
5	#SPOOL	1	Spool	Spool	Spool	Spool	Ref. 3
6	6190752M91	1	Kit Seal	Jeu Étanchéité	Dichtringsatz	Juego De Juntas	
7	6191096M91	1	Coil Assy.	Bobine	Wicklung, Spule	Bobina	
8	6190750M91	1	Solenoid Cartridge	Solénoïde	Magnetspule	Solenoide	
9	#NUT	1	Nut	Ecrou	Mutter	Tuerca	Ref. 8
10	#SPOOL	1	Spool	Spool	Spool	Spool	Ref. 8
11	6190752M91	1	Kit Seal	Jeu Étanchéité	Dichtringsatz	Juego De Juntas	
12	6191096M91	1	Coil Assy.	Bobine	Wicklung, Spule	Bobina	

C-64011-01.1-A



WARNING

Crush Hazard
Death or Serious Injury can result from contact with wheels as they are lowered to ground.

Do not turn Ride Control on if the loader arms and bucket are holding the front of the machine off the ground. Keep clear of raised machine.

WARNING

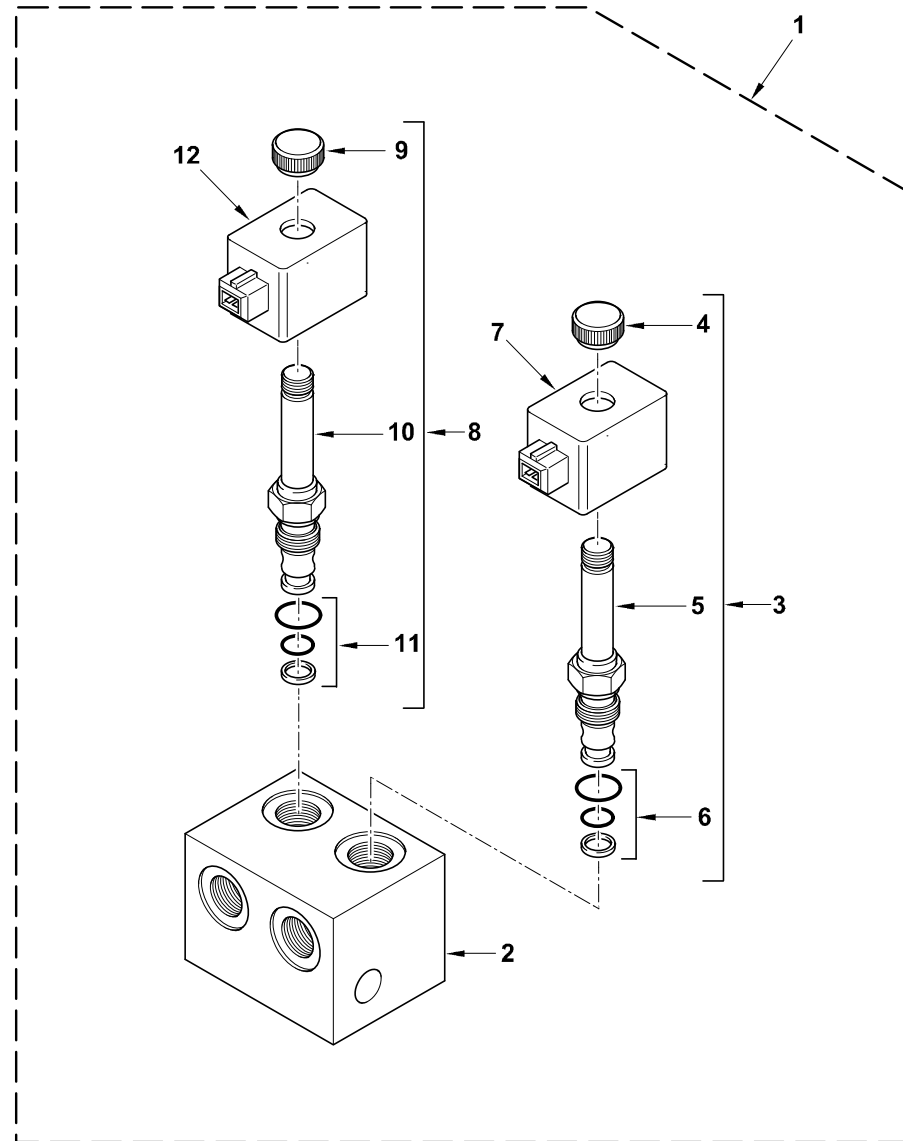
Explosion Hazard
Death or Serious Injury can result from release of pressurised liquids.

Do not weld on or drill into accumulator. Keep away from flames. Relieve all pressure before performing service on accumulator.

Item	Part No.	Qty.	English	French	German	Spanish	Remarks
1	6100522M91	1	Solenoid Valve Assy	Soupape De Pilotage	Magnetventil	Válvula De Pilotaje	64011c02.1 1
2	3009504X1	1	Bolt M10-100 Z5s	Goupille	Bolzen M10 X 100	Tornillo	
3	385362X1	1	Washer, Hardened - M10	Rondelle - M10	Unterlegscheibe M10	Arandela	
4	1440329X1	1	Nut, Hex. - Nyloc, M10	Ecrou Blocage	Flachmutter M10	Tuerca De Retención	
5	358743X91	2	Connector & O Ring	Borne	Doppelnippel	Unión	
6	#UNION	1	Union	Union	Union	Union	Ref. 5
7	831497M1	1	O-Ring	Joint Torique	O-Ring	Junta De Tipo O	
8	6109373M91	1	Tube-Acum/R.Contrl Valve	Tuyauterie	Rohr Kpl	Conjunto De Tubería	
9	3519179M91	1	Connector	Borne	Doppelnippel	Conexión, Conj.	
10	#UNION	1	Union	Union	Union	Union	Ref. 9
11	831452M1	1	O Ring (Pack Of 10)	Joint Torique	O Ring	Junta De Tipo O	
12	6106193M92	1	Accumulator - Ride Control	Accumulateur	Akkumulator	Acumulador	
13	6101361M1	4	Clamp-Accumulator	Collier De Serrage	Halteschelle	Brida De Fijación	
14	339337X1	4	Bolt M8-30 Z5f	Goupille	Bolzen - M8 X 30	Perno	
15	394367X1	4	Nut, Hex. - Nyloc, M8	Ecrou Blocage M8	Flachmutter - M8	Tuerca De Retención	
16	6108851M1	1	Decal-Rcs	Adhésif	Aufkleber	Adhesivo	
17	255927A3	1	Decal - Ride Control	Adhésif	Aufkleber	Adhesivo	
18	256318A2	1	Decal - Warning Pressure	Adhésif	Aufkleber	Adhesivo	
19	6109375M91	1	Hose Assy - Return Ride Control	Flexible Ass.	Schlauch Kpl	Flexible, Conj.	
20	6109376M91	1	Adaptor	Adaptateur	Reduzienippel	Conexión, Conj.	
21	#CONNECTOR	1	Connector	Connector	Connector	Connector	Ref. 19
22	835026M1	1	O-Ring	Joint Torique	O-Ring	Junta De Tipo O	
23	6109468M91	1	Hose Assy - Ride Control	Flexible Ass.	Schlauch Kpl	Flexible, Conj.	
24	360202X91	2	Connector 9/16 X 3/4	Adaptateur	Reduzienippel	Unión	
25	#UNION	1	Union	Union	Union	Union	Ref. 23
26	831497M1	1	O-Ring	Joint Torique	O-Ring	Junta De Tipo O	
27	6110180M91	1	Hose Assy - Ride Control	Flexible Ass.	Schlauch Kpl	Flexible, Conj.	
28	6101777M91	1	Cover Assy. - Switch Operating	Cache	Abdeckung	Tapa	
29	6102490M1	1	Relay-Micro	Relais	Relais	Relé	

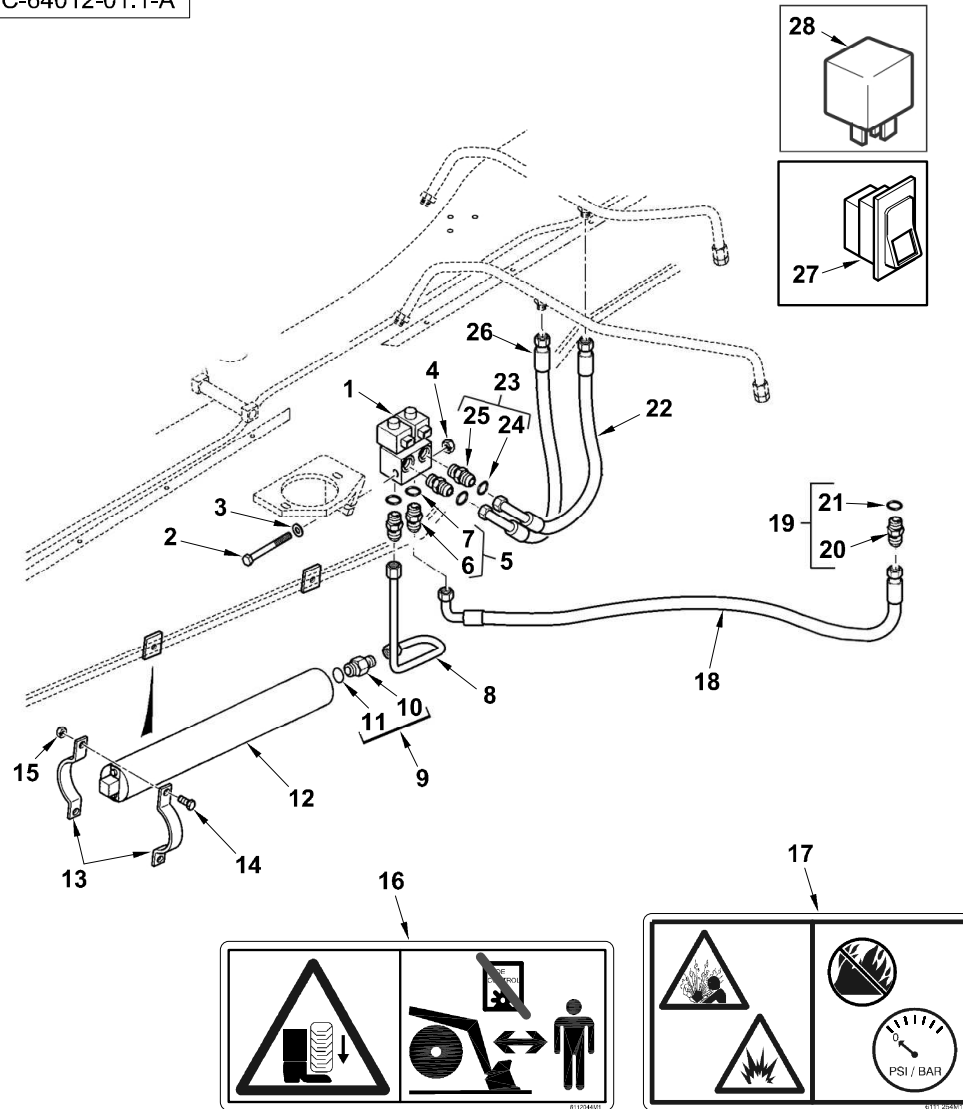


C-64011-02.1-A



Item	Part No.	Qty.	English	French	German	Spanish	Remarks
1	6100522M91	1	Solenoid Valve Assy	Soupape De Pilotage	Magnetventil	Válvula De Pilotaje	64011c01.1 1
2	#BODY	1	Body	Body	Body	Body	Ref. 1
3	6190749M91	1	Solenoid Cartridge	Solénoïde	Magnetspule	Solenoide	
4	#NUT	1	Nut	Ecrou	Mutter	Tuerca	Ref. 3
5	#SPOOL	1	Spool	Spool	Spool	Spool	Ref. 3
6	6190752M91	1	Kit Seal	Jeu Étanchéité	Dichtringsatz	Juego De Juntas	
7	6191096M91	1	Coil Assy.	Bobine	Wicklung, Spule	Bobina	
8	6190750M91	1	Solenoid Cartridge	Solénoïde	Magnetspule	Solenoide	
9	#NUT	1	Nut	Ecrou	Mutter	Tuerca	Ref. 8
10	#SPOOL	1	Spool	Spool	Spool	Spool	Ref. 8
11	6190752M91	1	Kit Seal	Jeu Étanchéité	Dichtringsatz	Juego De Juntas	
12	6191096M91	1	Coil Assy.	Bobine	Wicklung, Spule	Bobina	

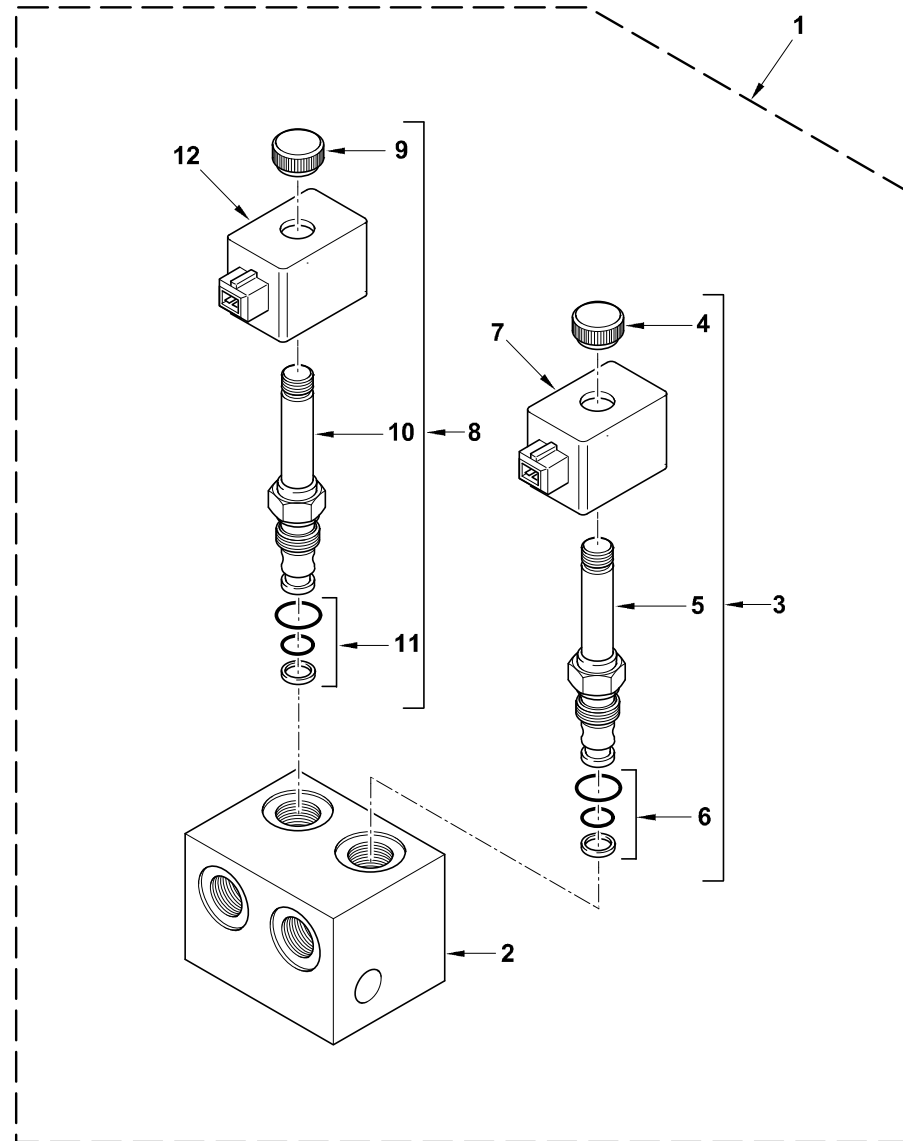
C-64012-01.1-A



Item	Part No.	Qty.	English	French	German	Spanish	Remarks
1	6100522M91	1	Solenoid Valve Assy	Soupape De Pilotage	Magnetventil	Válvula De Pilotaje	64012c02.1 1
2	3009504X1	1	Bolt M10-100 Z5s	Goupille	Bolzen M10 X 100	Tornillo	
3	385362X1	1	Washer, Hardened - M10	Rondelle - M10	Unterlegscheibe M10	Arandela	
4	1440329X1	1	Nut, Hex. - Nyloc, M10	Ecrou Blocage	Flachmutter M10	Tuerca De Retención	
5	358743X91	2	Connector & O Ring	Borne	Doppelnippel	Unión	
6	#UNION	1	Union	Union	Union	Union	Ref. 5
7	831497M1	1	O-Ring	Joint Torique	O-Ring	Junta De Tipo O	
8	6109373M91	1	Tube-Acum/R.Contrl Valve	Tuyauterie	Rohr Kpl	Conjunto De Tubería	
9	3519179M91	1	Connector	Borne	Doppelnippel	Conexión, Conj.	
10	#UNION	1	Union	Union	Union	Union	Ref. 9
11	831452M1	1	O Ring (Pack Of 10)	Joint Torique	O Ring	Junta De Tipo O	
12	6106193M92	1	Accumulator - Ride Control	Accumulateur	Akkumulator	Acumulador	
13	6101361M1	4	Clamp-Accumulator	Collier De Serrage	Halteschelle	Brida De Fijación	
14	339337X1	4	Bolt M8-30 Z5f	Goupille	Bolzen - M8 X 30	Perno	
15	394367X1	4	Nut, Hex. - Nyloc, M8	Ecrou Blocage M8	Flachmutter - M8	Tuerca De Retención	
16	6112044M1	1	Decal - Ride Control	Adhésif	Aufkleber	Adhesivo	
17	6111254M1	1	Decal - Warning Pressure	Adhésif	Aufkleber	Adhesivo	
18	6109375M91	1	Hose Assy - Return Ride Control	Flexible Ass.	Schlauch Kpl	Flexible, Conj.	
19	6109376M91	1	Adaptor	Adaptateur	Reduzienippel	Conexión, Conj.	
20	#CONNECTOR	1	Connector	Connector	Connector	Connector	Ref. 19
21	835026M1	1	O-Ring	Joint Torique	O-Ring	Junta De Tipo O	
22	6109468M91	1	Hose Assy - Ride Control	Flexible Ass.	Schlauch Kpl	Flexible, Conj.	
23	360202X91	2	Connector 9/16 X 3/4	Adaptateur	Reduzienippel	Unión	
24	#UNION	1	Union	Union	Union	Union	Ref. 23
25	831497M1	1	O-Ring	Joint Torique	O-Ring	Junta De Tipo O	
26	6110180M91	1	Hose Assy - Ride Control	Flexible Ass.	Schlauch Kpl	Flexible, Conj.	
27	6111813M91	1	Switch - Ride Control ROPS Assy	Interrupteur	Schalter	Contactar	
28	6102490M1	1	Relay-Micro	Relais	Relais	Relé	



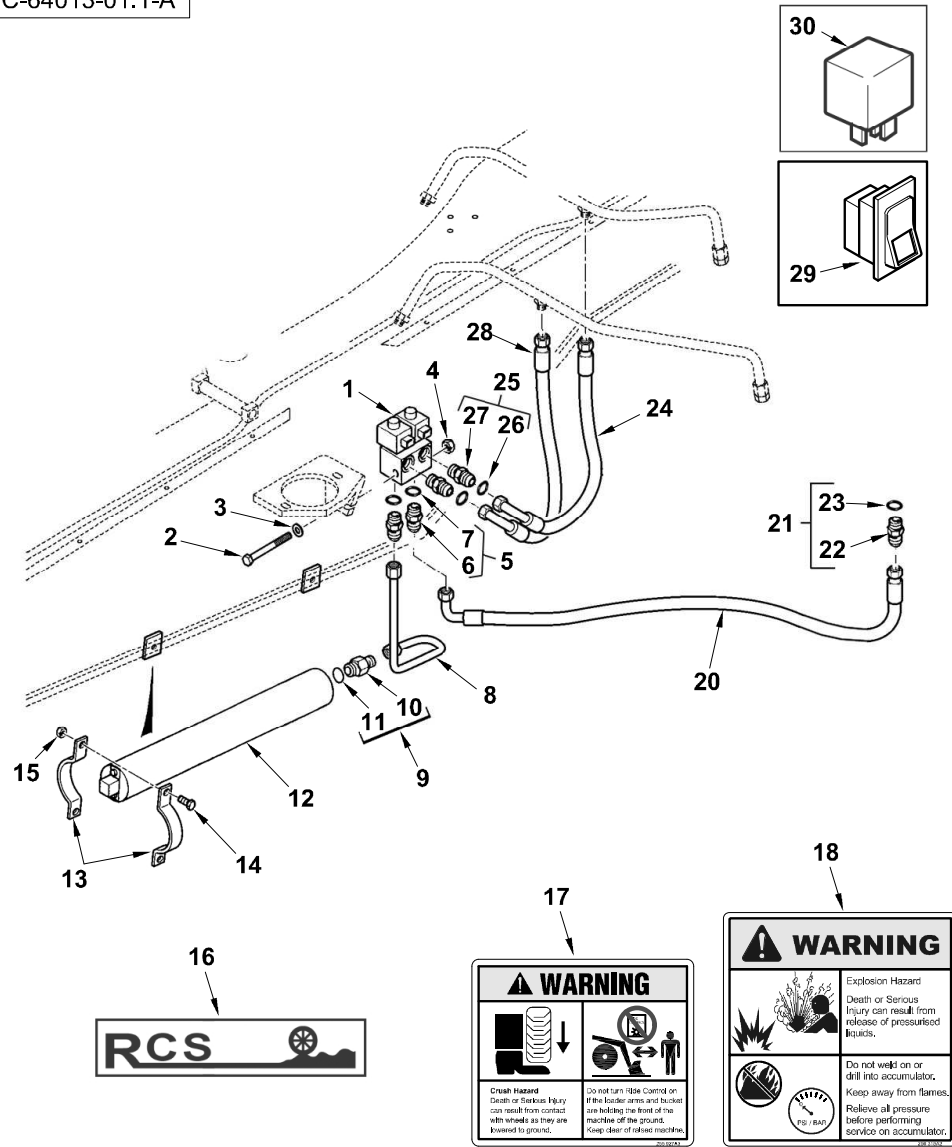
C-64012-02.1-A



Item	Part No.	Qty.	English	French	German	Spanish	Remarks
1	6100522M91	1	Solenoid Valve Assy	Soupape De Pilotage	Magnetventil	Válvula De Pilotaje	64012c01.1 1
2	#BODY	1	Body	Body	Body	Body	Ref. 1
3	6190749M91	1	Solenoid Cartridge	Solénoïde	Magnetspule	Solenoide	
4	#NUT	1	Nut	Ecrou	Mutter	Tuerca	Ref. 3
5	#SPOOL	1	Spool	Spool	Spool	Spool	Ref. 3
6	6190752M91	1	Kit Seal	Jeu Étanchéité	Dichtringsatz	Juego De Juntas	
7	6191096M91	1	Coil Assy.	Bobine	Wicklung, Spule	Bobina	
8	6190750M91	1	Solenoid Cartridge	Solénoïde	Magnetspule	Solenoide	
9	#NUT	1	Nut	Ecrou	Mutter	Tuerca	Ref. 8
10	#SPOOL	1	Spool	Spool	Spool	Spool	Ref. 8
11	6190752M91	1	Kit Seal	Jeu Étanchéité	Dichtringsatz	Juego De Juntas	
12	6191096M91	1	Coil Assy.	Bobine	Wicklung, Spule	Bobina	



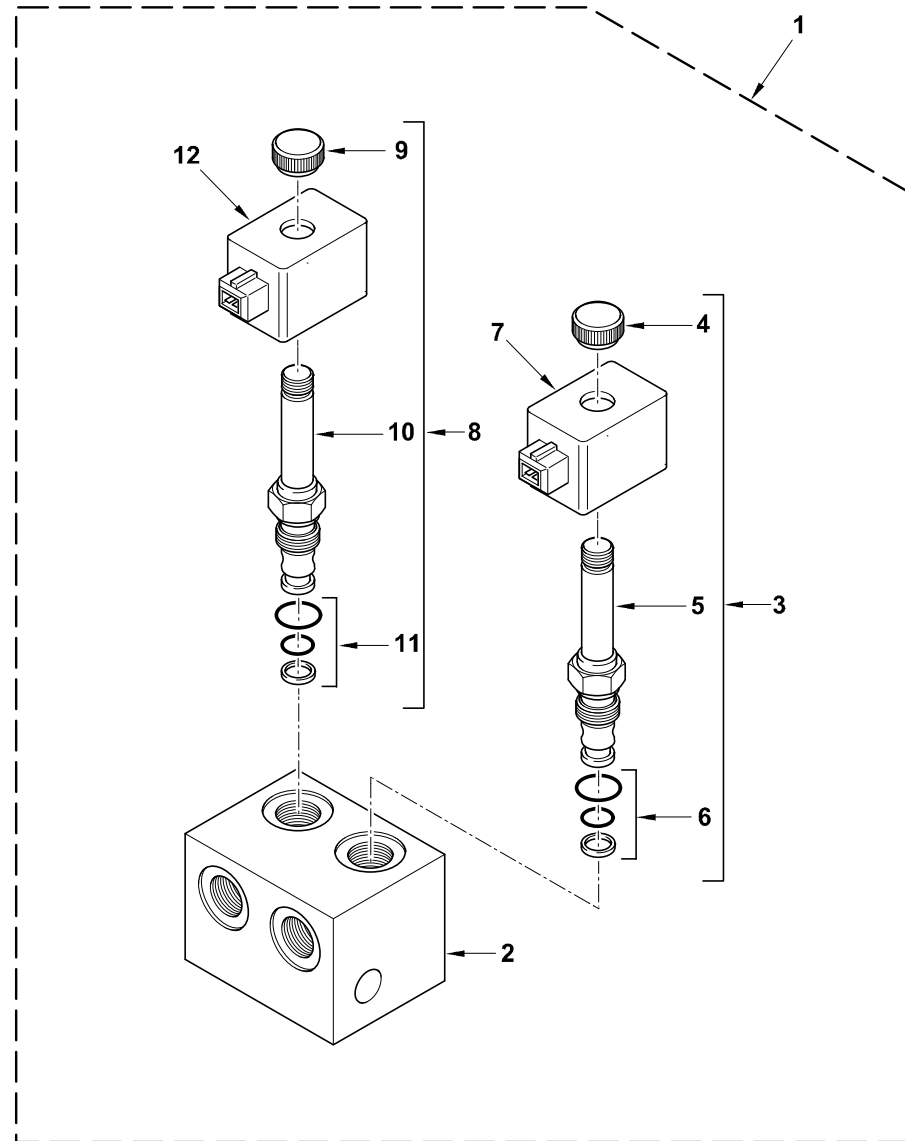
C-64013-01.1-A



Item	Part No.	Qty.	English	French	German	Spanish	Remarks
1	6100522M91	1	Solenoid Valve Assy	Soupape De Pilotage	Magnetventil	Válvula De Pilotaje	64013c02.1 1
2	3009504X1	1	Bolt M10-100 Z5s	Goupille	Bolzen M10 X 100	Tornillo	
3	385362X1	1	Washer, Hardened - M10	Rondelle - M10	Unterlegscheibe M10	Arandela	
4	1440329X1	1	Nut, Hex. - Nyloc, M10	Ecrou Blocage	Flachmutter M10	Tuerca De Retención	
5	358743X91	2	Connector & O Ring	Borne	Doppelnippel	Unión	
6	#UNION	1	Union	Union	Union	Union	Ref. 5
7	831497M1	1	O-Ring	Joint Torique	O-Ring	Junta De Tipo O	
8	6109373M91	1	Tube-Acum/R.Contrl Valve	Tuyauterie	Rohr Kpl	Conjunto De Tubería	
9	3519179M91	1	Connector	Borne	Doppelnippel	Conexión, Conj.	
10	#UNION	1	Union	Union	Union	Union	Ref. 9
11	831452M1	1	O Ring (Pack Of 10)	Joint Torique	O Ring	Junta De Tipo O	
12	6106193M92	1	Accumulator - Ride Control	Accumulateur	Akkumulator	Acumulador	
13	6101361M1	4	Clamp-Accumulator	Collier De Serrage	Halteschelle	Brida De Fijación	
14	339337X1	4	Bolt M8-30 Z5f	Goupille	Bolzen - M8 X 30	Perno	
15	394367X1	4	Nut, Hex. - Nyloc, M8	Ecrou Blocage M8	Flachmutter - M8	Tuerca De Retención	
16	6108851M1	1	Decal-Rcs	Adhésif	Aufkleber	Adhesivo	
17	255927A3	1	Decal - Ride Control	Adhésif	Aufkleber	Adhesivo	
18	256318A2	1	Decal - Warning Pressure	Adhésif	Aufkleber	Adhesivo	
19	6109375M91	1	Hose Assy - Return Ride Control	Flexible Ass.	Schlauch Kpl	Flexible, Conj.	
20	6109376M91	1	Adaptor	Adaptateur	Reduzienippel	Conexión, Conj.	
21	#CONNECTOR	1	Connector	Connector	Connector	Connector	Ref. 19
22	835026M1	1	O-Ring	Joint Torique	O-Ring	Junta De Tipo O	
23	6109468M91	1	Hose Assy - Ride Control	Flexible Ass.	Schlauch Kpl	Flexible, Conj.	
24	360202X91	2	Connector 9/16 X 3/4	Adaptateur	Reduzienippel	Unión	
25	#UNION	1	Union	Union	Union	Union	Ref. 23
26	831497M1	1	O-Ring	Joint Torique	O-Ring	Junta De Tipo O	
27	6110180M91	1	Hose Assy - Ride Control	Flexible Ass.	Schlauch Kpl	Flexible, Conj.	
28	6111813M91	1	Switch - Ride Control ROPS Assy	Interrupteur	Schalter	Contactar	
29	6102490M1	1	Relay-Micro	Relais	Relais	Relé	

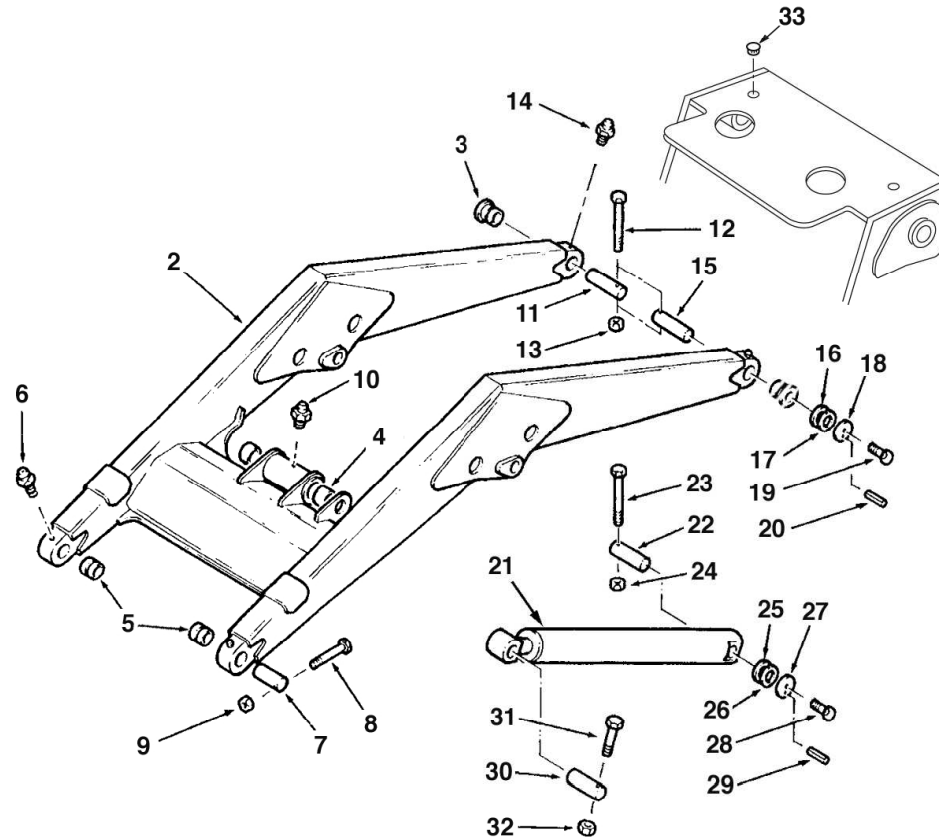


C-64013-02.1-A



Item	Part No.	Qty.	English	French	German	Spanish	Remarks
1	6100522M91	1	Solenoid Valve Assy	Soupape De Pilotage	Magnetventil	Válvula De Pilotaje	64013c01.1 1
2	#BODY	1	Body	Body	Body	Body	Ref. 1
3	6190749M91	1	Solenoid Cartridge	Solénoïde	Magnetspule	Solenoide	
4	#NUT	1	Nut	Ecrou	Mutter	Tuerca	Ref. 3
5	#SPOOL	1	Spool	Spool	Spool	Spool	Ref. 3
6	6190752M91	1	Kit Seal	Jeu Étanchéité	Dichtringsatz	Juego De Juntas	
7	6191096M91	1	Coil Assy.	Bobine	Wicklung, Spule	Bobina	
8	6190750M91	1	Solenoid Cartridge	Solénoïde	Magnetspule	Solenoide	
9	#NUT	1	Nut	Ecrou	Mutter	Tuerca	Ref. 8
10	#SPOOL	1	Spool	Spool	Spool	Spool	Ref. 8
11	6190752M91	1	Kit Seal	Jeu Étanchéité	Dichtringsatz	Juego De Juntas	
12	6191096M91	1	Coil Assy.	Bobine	Wicklung, Spule	Bobina	

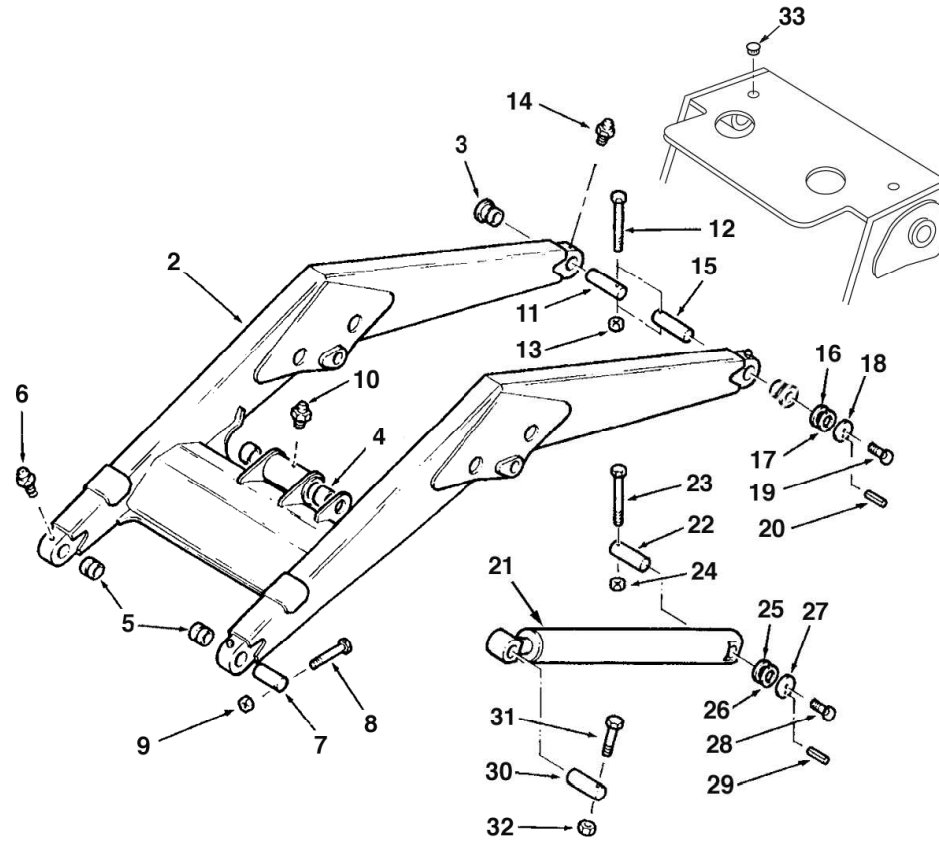
C-65001-01.1-A



Item	Part No.	Qty.	English	French	German	Spanish	Remarks
1	6100694M94	1	Beam, Loader - Ferrec Yellow	Bras De Chargeur	Laderarm	Brazo, Conj.	
2	#ARM	1	Arm	Bras	Arm	Brazo	Ref. 1
3	3520034M3	2	Bush	Douille	Büchse	Anillo	
4	3520032M1	2	Bushing Large	Bague	Büchse	Anillo	
5	3522862M2	2	Bush	Douille	Buechse	Anillo	
6	339608X1	2	Grease Nipple - M10 X 1 (Zinc)	Nipple De Graissage	Schmiernippel	Engrasador	
7	3520042M5	2	Pin	Goupille	Bolzen	Pasador	
8	3516014M1	2	Bolt - M10 X 90	Boulon - M10 X 90	Maschschraube M10	Tornillo	
9	1440329X1	2	Nut, Hex. - Nyloc, M10	Ecrou Blocage	Flachmutter M10	Tuerca De Retención	
10	339608X1	1	Grease Nipple - M10 X 1 (Zinc)	Nipple De Graissage	Schmiernippel	Engrasador	
11	3520046M6	1	Pin * R Type *	Axe	Bolzen	Pasador	
12	3516015M1	2	Bolt M10-100 Z5s	Goupille	Bolzen	Tornillo	
13	1440329X1	2	Nut, Hex. - Nyloc, M10	Ecrou Blocage	Flachmutter M10	Tuerca De Retención	
14	339608X1	2	Grease Nipple - M10 X 1 (Zinc)	Nipple De Graissage	Schmiernippel	Engrasador	
15	3520046M6	1	Pin * R Type *	Axe	Bolzen	Pasador	
16	3522962M1	1	Washer, Thrust - >2.6mm<	Rondelle De Butée	Druckscheibe	Arandela De Tope	
17	3522963M1	1	Washer, Thrust - >3.6mm<	Rondelle De Butée	Druckscheibe	Arandela De Tope	
18	3522717M3	1	Washer Special	Rondelle Spéciale	Spezielscheibe	Arandela	
19	339613X1	1	Bolt M16-25 Z5f	Goupille	Bolzen	Tornillo	
20	1441736X1	1	Pin Spirol 5-26	Goupille D´Arrêt	Klappstecker	Pasador Elástico	
21	#CYLINDER	2	Cylinder	Cylinder	Cylinder	Cylinder	Loader Hydraulics
22	3520046M6	2	Pin * R Type *	Axe	Bolzen	Pasador	
23	3516015M1	2	Bolt M10-100 Z5s	Goupille	Bolzen	Tornillo	
24	1440329X1	2	Nut, Hex. - Nyloc, M10	Ecrou Blocage	Flachmutter M10	Tuerca De Retención	
25	3522962M1	2	Washer, Thrust - >2.6mm<	Rondelle De Butée	Druckscheibe	Arandela De Tope	
26	3522963M1	2	Washer, Thrust - >3.6mm<	Rondelle De Butée	Druckscheibe	Arandela De Tope	
27	3522717M3	2	Washer Special	Rondelle Spéciale	Spezielscheibe	Arandela	
28	339613X1	2	Bolt M16-25 Z5f	Goupille	Bolzen	Tornillo	
29	1441736X1	2	Pin Spirol 5-26	Goupille D´Arrêt	Klappstecker	Pasador Elástico	
30	6109683M1	1	Pin - Loader To Loader Cylinder (Rh)	Axe	Bolzen	Pasador	



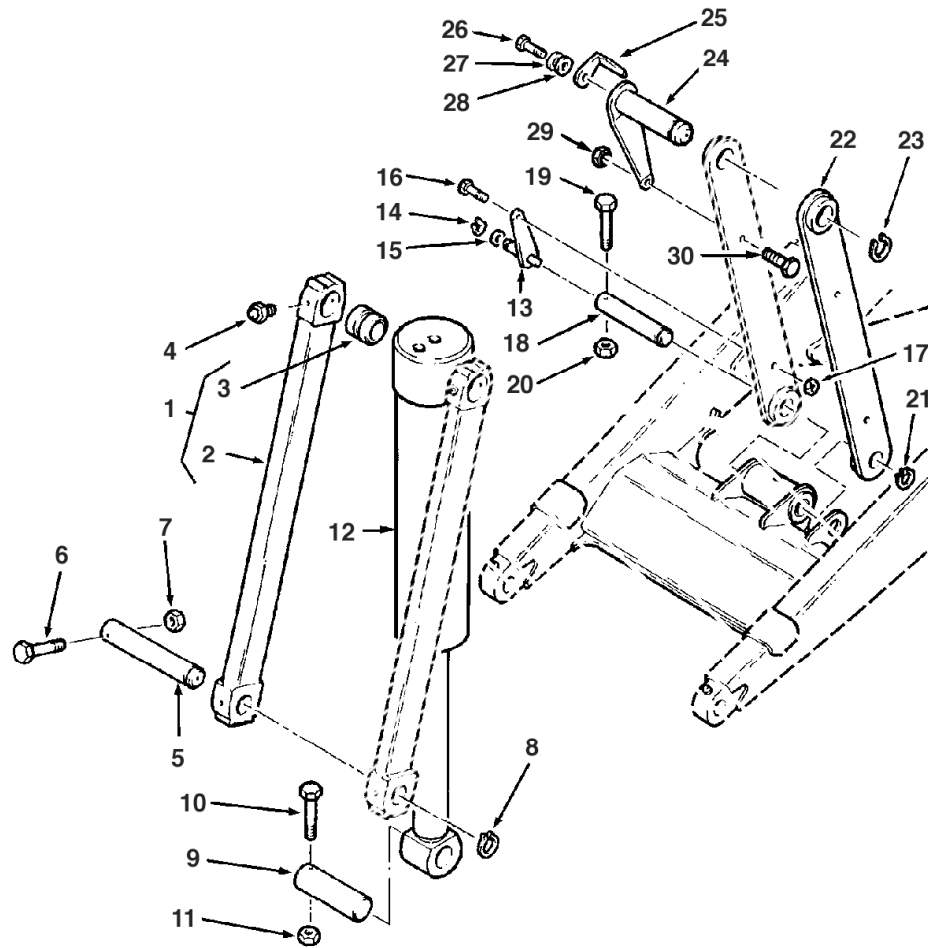
C-65001-01.1-A



Item	Part No.	Qty.	English	French	German	Spanish	Remarks
30	6109663M1	1	Pin - Loader To Loader Cylinder (Lh)	Axe	Bolzen	Pasador	
31	3516014M1	2	Bolt - M10 X 90	Boulon - M10 X 90	Maschschraube M10	Tornillo	
32	1440329X1	2	Nut, Hex. - Nyloc, M10	Ecrou Blocage	Flachmutter M10	Tuerca De Retención	
33	6111481M1	2	Round Insert Dia 38.1	Bouchon	Verschlopfen	Tapón	



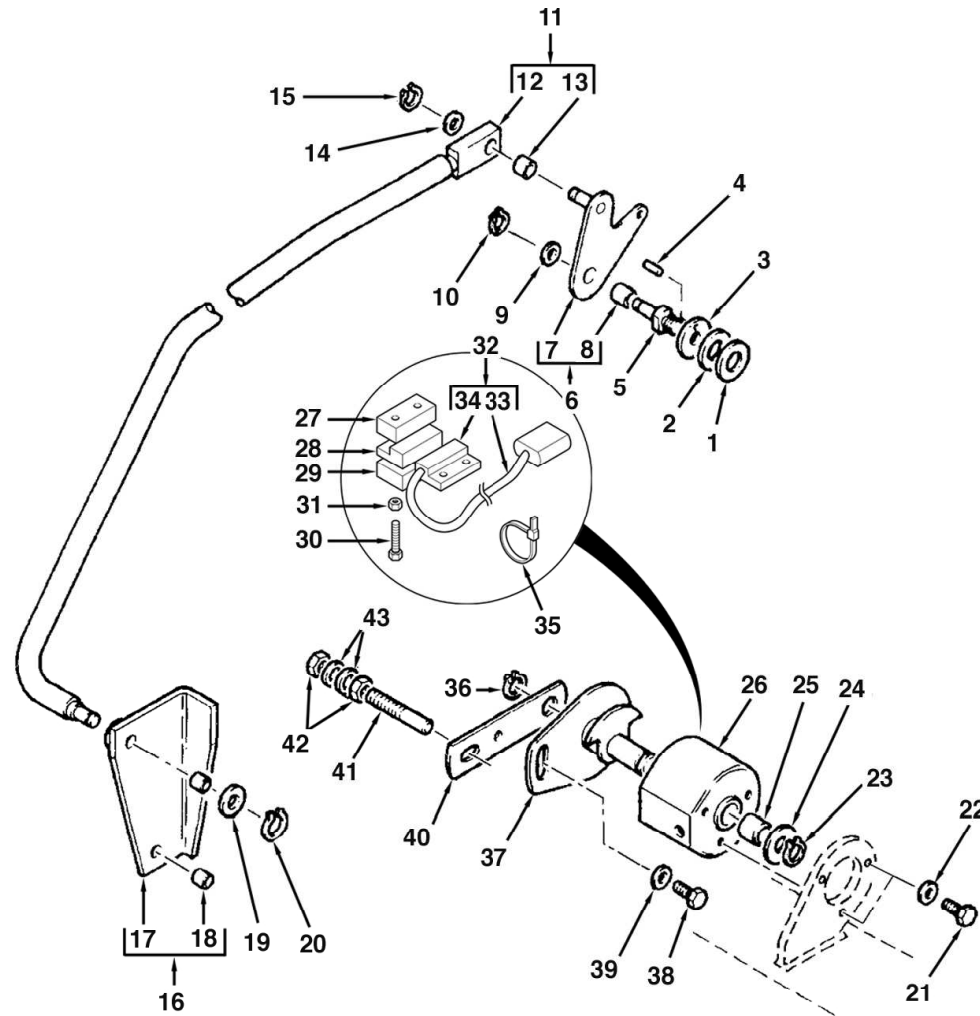
C-65001-02.1-A



Item	Part No.	Qty.	English	French	German	Spanish	Remarks
1	6101983M91	2	Link - Loader Bucket	Maillon	Gelenkstange	Eslabón	
2	#LINK	1	Link	Link	Link	Link	Ref.1
3	3521716M1	1	Bush	Douille	Büchse	Anillo	
4	339608X1	2	Grease Nipple - M10 X 1 (Zinc)	Nipple De Graissage	Schmiernippel	Engrasador	
5	3521723M5	1	Pin (50 - 288)	Goupille	Bolzen	Pasador	
6	3501289M1	1	Bolt M10-110 Z5s	Boulon	Sechskantschraube	Tornillo	
7	1440329X1	1	Nut, Hex. - Nyloc, M10	Ecrou Blocage	Flachmutter M10	Tuerca De Retención	
8	391129X1	1	Circlip - External - 50mm	Segment D´Arrêt	Sicherungsring	Anillo De Resorte	
9	6106216M1	1	Pin-Ldr Bucket/Ram	Goupille	Bolzen	Pasador	
10	3516014M1	1	Bolt - M10 X 90	Boulon - M10 X 90	Maschschraube M10	Tornillo	
11	1440329X1	1	Nut, Hex. - Nyloc, M10	Ecrou Blocage	Flachmutter M10	Tuerca De Retención	
12	#CYLINDER	1	Cylinder	Cylinder	Cylinder	Cylinder	Loader Hydraulics
13	3521757M94	1	Pivot W/Assy	Pivot	Drehzapfen	Pivote	
14	3516762M1	1	Circlip	Segment D´Arrêt	Sicherungsring	Anillo De Resorte	
15	339300X1	1	Washer Dia 15	Rondelle	Scheibe	Arandela	
16	3516013M1	1	Bolt M10-40 Z5s	Boulon	Schraube	Tornillo	
17	1440329X1	1	Nut, Hex. - Nyloc, M10	Ecrou Blocage	Flachmutter M10	Tuerca De Retención	
18	3520465M5	1	Pin Large	Axe	Bolzen	Pasador	
19	3516014M1	1	Bolt - M10 X 90	Boulon - M10 X 90	Maschschraube M10	Tornillo	
20	1440329X1	1	Nut, Hex. - Nyloc, M10	Ecrou Blocage	Flachmutter M10	Tuerca De Retención	
21	339820X1	1	Circlip Ext 40mm	Anneau D´Arrêt	Sprengring	Anillo De Resorte	
22	3522361M93	2	Link	Maillon	Gelenkstange	Eslabón	
23	391129X1	1	Circlip - External - 50mm	Segment D´Arrêt	Sicherungsring	Anillo De Resorte	
24	3522679M94	1	Pin Large	Axe	Bolzen	Pasador	
25	3516352M1	1	Pointer - Rtd	Témoin	Anzeige	Indicador	
26	339081X1	1	Screw - Hex HD M10 X 20 ISO 8.8 Zn	Vis	Schraube	Tornillo	
27	390734X1	1	Washer M10-21-2 Z	Rondelle - M10	Unterlegscheibe	Arandela	
28	339376X1	1	Washer M10-18-2 Zsp	Rondelle Frein	Federring	Arandela De Freno	
29	1440329X1	1	Nut, Hex. - Nyloc, M10	Ecrou Blocage	Flachmutter M10	Tuerca De Retención	
30	3516013M1	1	Bolt M10-40 Z5s	Boulon	Schraube	Tornillo	



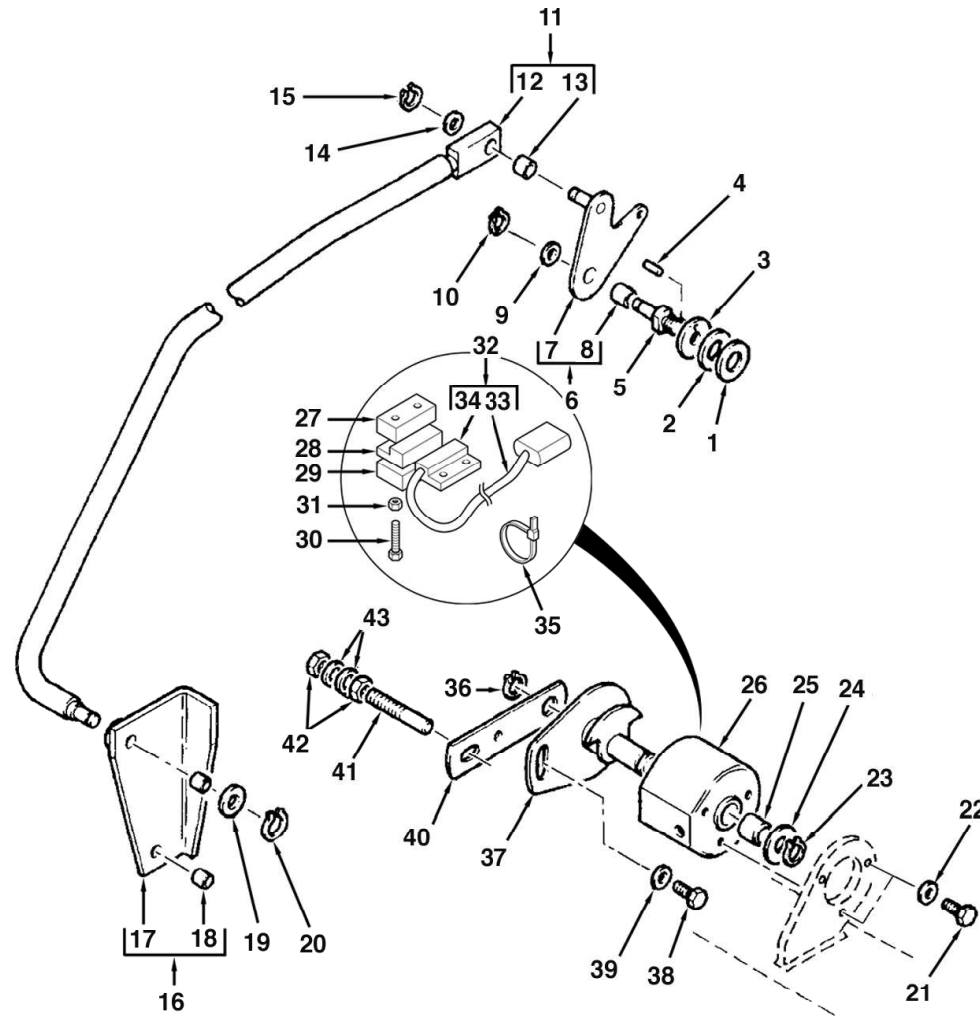
C-65001-03.1-A



Item	Part No.	Qty.	English	French	German	Spanish	Remarks
1	3522963M1	1	Washer, Thrust - >3.6mm<	Rondelle De Butée	Druckscheibe	Arandela De Tope	
2	3522962M1	1	Washer, Thrust - >2.6mm<	Rondelle De Butée	Druckscheibe	Arandela De Tope	
3	3522717M3	1	Washer Special	Rondelle Spéciale	Spezialscheibe	Arandela	
4	1441736X1	1	Pin Spirol 5-26	Goupille D'Arrêt	Klappstecker	Pasador Elástico	
5	3521799M6	1	Shaft - Pivot	Arbre - Pivot	Welle - Drehzapfen	Árbol	
6	3516765M91	1	Arm Assy	Bras Ass.	Arm Kplt	Brazo, Conj.	65001c04.1 34
7	#ARM	1	Arm	Bras	Arm	Brazo	Ref.6
8	3516761M1	1	Bush	Douille	Büchse	Anillo	
9	339300X1	1	Washer Dia 15	Rondelle	Scheibe	Arandela	
10	3516762M1	1	Circlip	Segment D'Arrêt	Sicherungsring	Anillo De Resorte	
11	6107911M91	1	Rod, Link - Return To Dig	Ensemble De Maillon	Gelenkstange Kpl.	Eslabón, Conj.	
12	#LINK	1	Link	Link	Link	Link	Ref.11
13	3516761M1	1	Bush	Douille	Büchse	Anillo	
14	339300X1	1	Washer Dia 15	Rondelle	Scheibe	Arandela	
15	3516762M1	1	Circlip	Segment D'Arrêt	Sicherungsring	Anillo De Resorte	
16	6100971M91	1	Link-Assy	Maillon Ass.	Gelenkstange Kplt	Soporte De Fijación	
17	#LINK	1	Link	Link	Link	Link	Ref.14
18	3516761M1	1	Bush	Douille	Büchse	Anillo	
19	339300X1	1	Washer Dia 15	Rondelle	Scheibe	Arandela	
20	3516762M1	1	Circlip	Segment D'Arrêt	Sicherungsring	Anillo De Resorte	
21	339123X1	3	Bolt M8-20 Z5f	Boulon M8 X 20	Maschschraube M8	Perno	
22	339374X1	3	Washer M8 -21-2 Z	Rondelle Frein - M8	Federring - M8	Arandela De Freno	
23	3516762M1	1	Circlip	Segment D'Arrêt	Sicherungsring	Anillo De Resorte	
24	339300X1	1	Washer Dia 15	Rondelle	Scheibe	Arandela	
25	3516761M1	1	Bush	Douille	Büchse	Anillo	
26	3521963M94	1	Housing - Mech. Rtn. To Dig Potentiom.	Carter	Gehäuse	Cárter	
27	3522874M1	2	Plate Tapped	Plaque	Platte	Placa	
28	3522649M2	1	Magnet Unit	Aimant	Magnet	Imán	
29	3522093M1	2	Spacer	Entretoise	Distanzstück	Traviesa	
30	3522673M2	4	Screw Pan HD	Vis	Schraube	Tornillo	



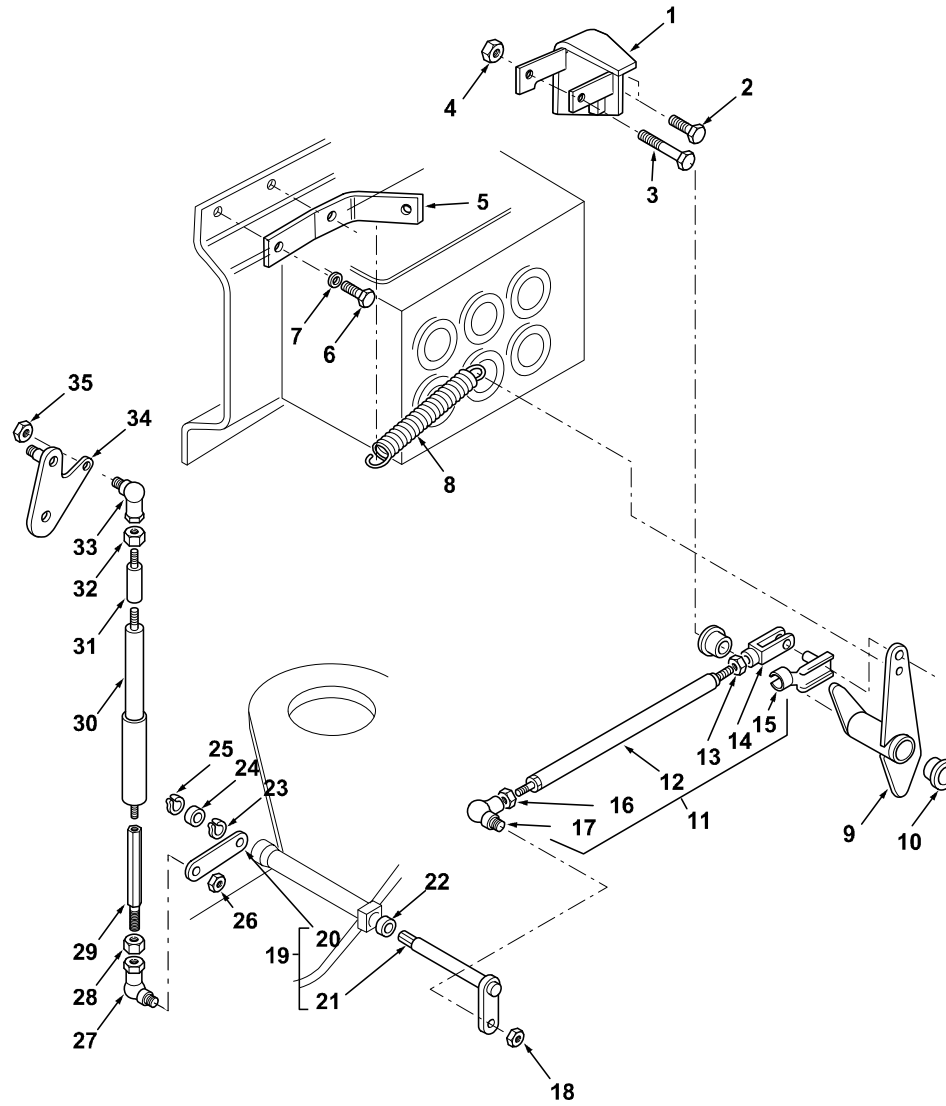
C-65001-03.1-A



Item	Part No.	Qty.	English	French	German	Spanish	Remarks
31	3522674M1	4	Washer Lock	Rondelle Frein	Scheibe, Sicherungs-	Arandela De Freno	
32	6101674M93	1	Harness - Return To Dig	Faisceau	Beschirrung	Haz, Conj.	
33	#HARNNESS	1	Harness	Harness	Harness	Harness	Ref.32
34	3522650M2	1	Potentiometer - Mech. Rtn.To Dig & Seat	Capteur	Potentiometer	Captador	
35	1862425M1	0	Tie 385mm T50I	Attache Cable	Kabelbinder	Enlace De Cable	
36	3516762M1	1	Circlip	Segment D'Arrêt	Sicherungsring	Anillo De Resorte	
37	3521967M96	1	Arm	Bras	Arm	Brazo	
38	339123X1	1	Bolt M8-20 Z5f	Boulon M8 X 20	Maschschraube M8	Perno	
39	390972X1	1	Washer M8-17-1 Zwel	Rondelle M8	Scheibe - M8	Arandela	
40	3516192M91	1	Arm	Bras	Arm	Brazo, Conj.	
41	3522075M2	1	Shaft Pivot	Pivot	Wellenzapfen	Pivote	
42	3009693X1	2	Nut M10 Z5 Normal	Ecrou Métrique	Mutter Metrisch	Tuerca	
43	339376X1	2	Washer M10-18-2 Zsp	Rondelle Frein	Federring	Arandela De Freno	



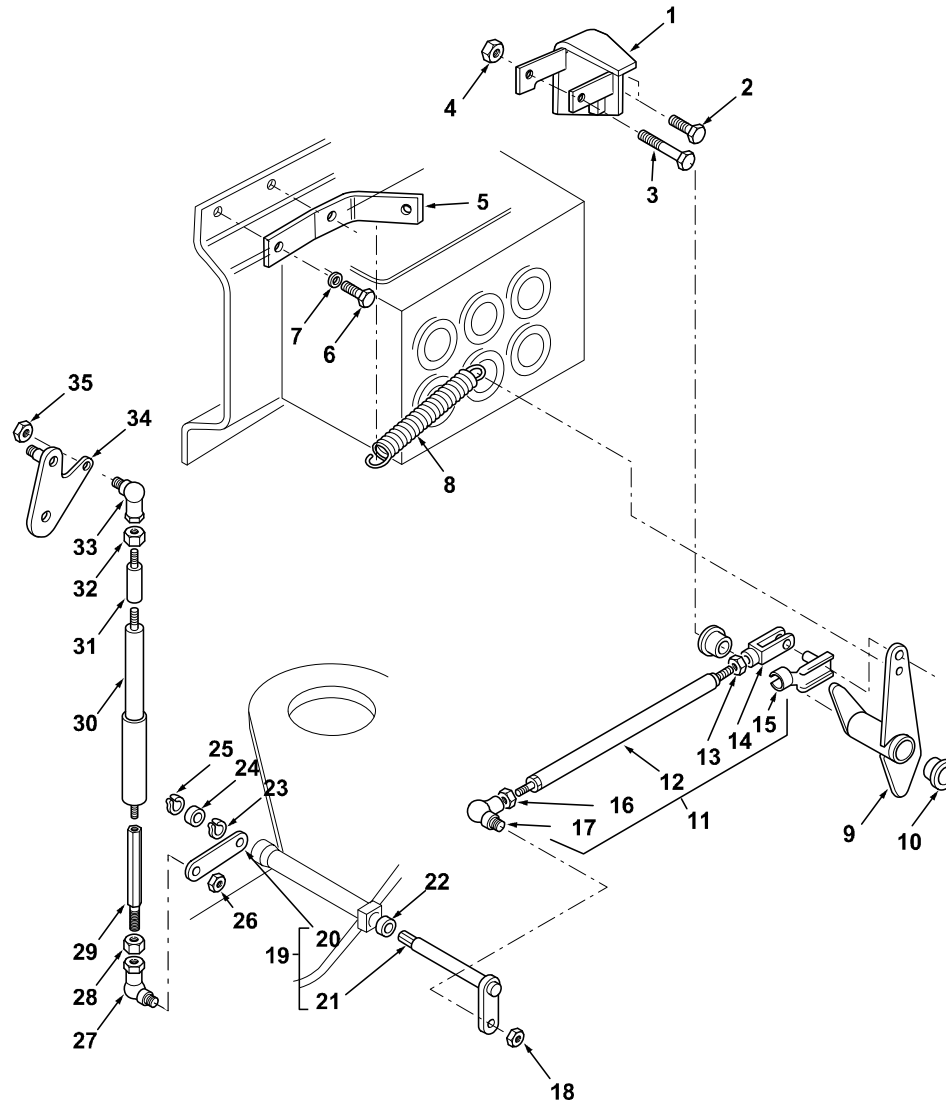
C-65001-04.1-B



Item	Part No.	Qty.	English	French	German	Spanish	Remarks
1	6109363M92	1	Bracket - Self Level Lever W/Assy	Patte Fixation	Halter	Cuchara, Conj.	
2	3009492X1	2	Bolt - Hex. M10 X 25	Boulon M10 X 25	Schraube M10 X 25	Tornillo	
3	3009517X1	1	Bolt M12-100	Goupille	Bolzen	Tornillo	
4	1440330X1	1	Nut Nyloc M12	Ecrou	Flachmutter M12	Tuerca	
5	6109369M1	1	Anchor Spring	Siège De Ressort	Federsitz	Ancla	
6	3009492X1	2	Bolt - Hex. M10 X 25	Boulon M10 X 25	Schraube M10 X 25	Tornillo	
7	385362X1	2	Washer, Hardened - M10	Rondelle - M10	Unterlegscheibe M10	Arandela	
8	3519680M2	1	Spring	Siège De Ressort	Federsitz	Muelle	
9	6106694M91	1	Lever-Self Level	Levier Ass.	Hebel Kpl.	Palanca, Conj.	
10	6106560M1	2	Bush	Douille	Buechse	Anillo	
11	6106691M92	1	Rod Assy Self Level	Ensemble Tringlerie	Gestänge	Tirantes, Conj.	
12	#ROD	1	Rod	Rod	Rod	Rod	Ref. 11
13	3009693X1	1	Nut M10 Z5 Normal	Ecrou Métrique	Mutter Metrisch	Tuerca	
14	3521833M1	1	Clevis	Chape	Gabelverbindung	Brida	
15	3521834M1	1	Pin Clevis	Axe De Chape	Gabelstift	Eje De Brida	
16	3009693X1	1	Nut M10 Z5 Normal	Ecrou Métrique	Mutter Metrisch	Tuerca	
17	3521794M91	1	Joint Ball	Rotule	Kugelgelenk	Rotula	
18	1440329X1	1	Nut, Hex. - Nyloc, M10	Ecrou Blocage	Flachmutter M10	Tuerca De Retención	
19	6109072M91	1	Lever/Arm Assy. Self Level	Ensemble De Bras	Arm Kpl.	Brazo, Conj.	
20	#LEVER	1	Lever	Lever	Lever	Lever	Ref. 19
21	#ARM	1	Arm	Bras	Arm	Brazo	Ref. 19
22	3521514M5	1	Bush	Douille	Büchse	Anillo	
23	339710X1	1	Circlip Ext 11mm	Segment D'Arrêt	Sicherungsring	Anillo De Resorte	
24	3521514M5	1	Bush	Douille	Büchse	Anillo	
25	339710X1	1	Circlip Ext 11mm	Segment D'Arrêt	Sicherungsring	Anillo De Resorte	
26	1440329X1	1	Nut, Hex. - Nyloc, M10	Ecrou Blocage	Flachmutter M10	Tuerca De Retención	
27	3521794M91	1	Joint Ball	Rotule	Kugelgelenk	Rotula	
28	3009693X1	1	Nut M10 Z5 Normal	Ecrou Métrique	Mutter Metrisch	Tuerca	
29	6112271M1	1	Turnbuckle- RH	Tendeur De Tringle	Spannschloss	Torniquete	
30	6106239M91	1	Gas Strut - Bucket Levelling	Ensemble D&Amortiss.	Dämpfer Kpl.	Antivibrador, Conj.	



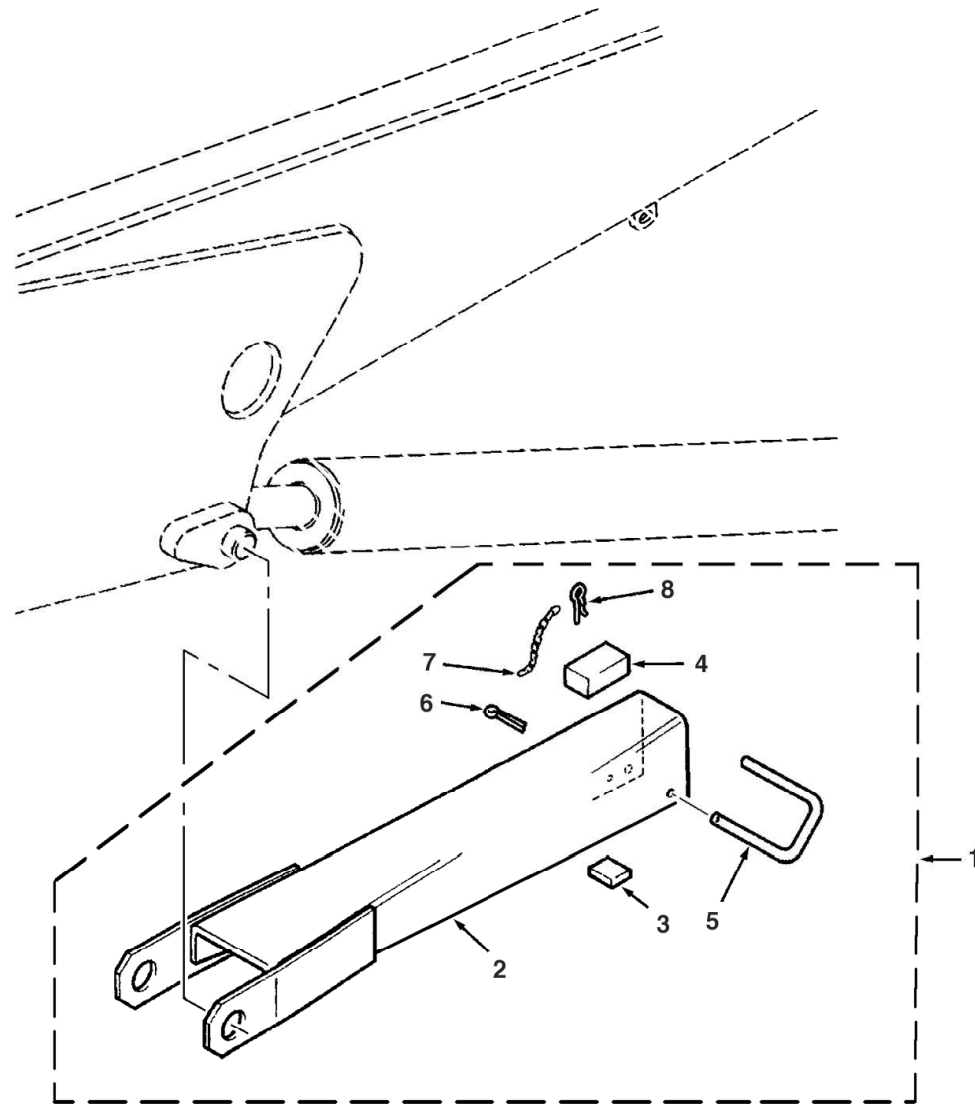
C-65001-04.1-B



Item	Part No.	Qty.	English	French	German	Spanish	Remarks
31	6106241M1	1	Turnbuckle-Gas Strut	Tendeur De Tringle	Spannschloss	Torniquete	LH Thread
32	6107340M1	1	Nut-Hex M10x1.5 LH	Ecrou	Mutter	Tuerca	
33	3521889M91	1	Joint Ball	Rotule	Kugelgelenk	Rotula	LH Thread
34	3516765M91	1	Arm Assy	Bras Ass.	Arm Kplt	Brazo, Conj.	65001c03.1 6
35	1440329X1	1	Nut, Hex. - Nyloc, M10	Ecrou Blocage	Flachmutter M10	Tuerca De Retención	



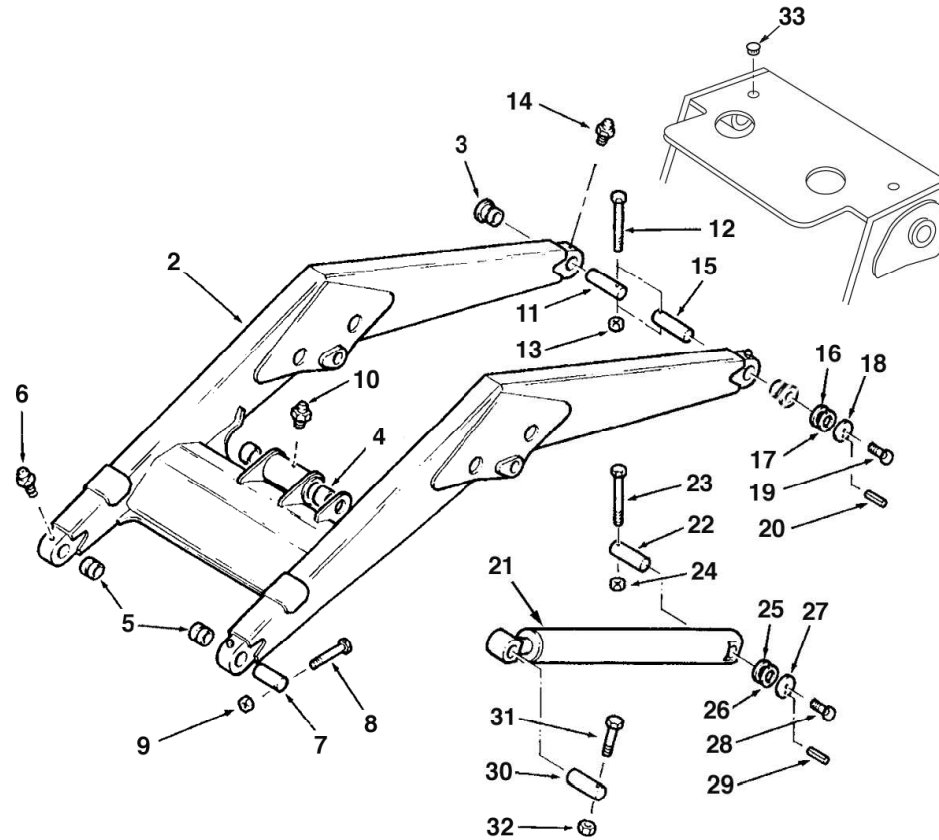
C-65001-05.1-A



Item	Part No.	Qty.	English	French	German	Spanish	Remarks
1	6101183M92	1	Arm-Safety	Support	Haltevorrichtung	Apoyadero, Conj.	
2	#SUPPORT	1	Support	Support	Support	Support	Ref.1
3	1471300M1	1	Pad Neoprene	Plaque Antidérapante	Zwischenlage	Tope	
4	1458633M3	1	Pad-Neoprene	Plaque Antidérapante	Zwischenlage	Tope	
5	3521910M2	1	Pin Double	Axe	Bolzen	Pasador De Parada	
6	1442994X1	1	Pin Cotter M3.2x25	Démodé	Überholt	Pasador	
7	3517165M1	1	Chain (Agriculture)	Chaîne	Kette	Cadena	
8	377165X1	1	Split Pin/Safety Pin	Goupille D'Arrêt	Splint	Pasador De Parada	



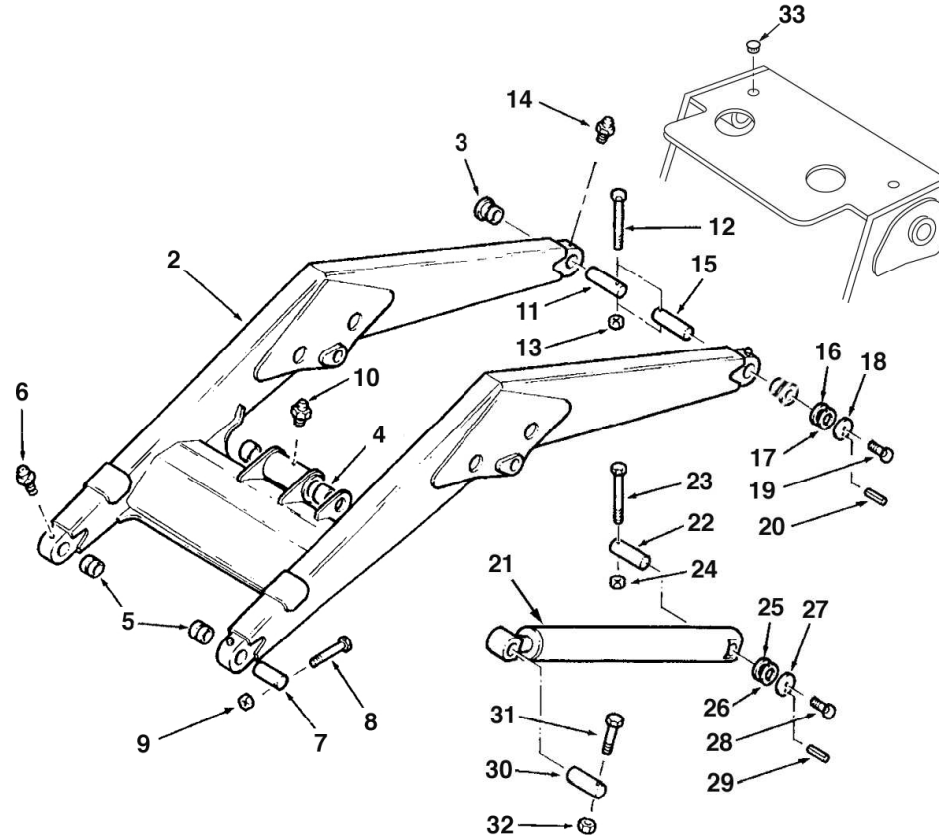
C-65002-01.1-A



Item	Part No.	Qty.	English	French	German	Spanish	Remarks
1	6107941M92	1	Beam-Loader W/A Terex White	Bras De Chargeur	Laderarm	Brazo, Conj.	
2	#ARM	1	Arm	Bras	Arm	Brazo	Ref. 1
3	3520034M3	2	Bush	Douille	Büchse	Anillo	
4	3520032M1	2	Bushing Large	Bague	Büchse	Anillo	
5	3522862M2	2	Bush	Douille	Buechse	Anillo	
6	339608X1	2	Grease Nipple - M10 X 1 (Zinc)	Nipple De Graissage	Schmiernippel	Engrasador	
7	3520042M5	2	Pin	Goupille	Bolzen	Pasador	
8	3516014M1	2	Bolt - M10 X 90	Boulon - M10 X 90	Maschschraube M10	Tornillo	
9	1440329X1	2	Nut, Hex. - Nyloc, M10	Ecrou Blocage	Flachmutter M10	Tuerca De Retención	
10	339608X1	1	Grease Nipple - M10 X 1 (Zinc)	Nipple De Graissage	Schmiernippel	Engrasador	
11	3520046M6	1	Pin * R Type *	Axe	Bolzen	Pasador	
12	3516015M1	2	Bolt M10-100 Z5s	Goupille	Bolzen	Tornillo	
13	1440329X1	2	Nut, Hex. - Nyloc, M10	Ecrou Blocage	Flachmutter M10	Tuerca De Retención	
14	339608X1	2	Grease Nipple - M10 X 1 (Zinc)	Nipple De Graissage	Schmiernippel	Engrasador	
15	3520046M6	1	Pin * R Type *	Axe	Bolzen	Pasador	
16	3522962M1	1	Washer, Thrust - >2.6mm<	Rondelle De Butée	Druckscheibe	Arandela De Tope	
17	3522963M1	1	Washer, Thrust - >3.6mm<	Rondelle De Butée	Druckscheibe	Arandela De Tope	
18	3522717M3	1	Washer Special	Rondelle Spéciale	Speziatscheibe	Arandela	
19	339613X1	1	Bolt M16-25 Z5f	Goupille	Bolzen	Tornillo	
20	1441736X1	1	Pin Spirol 5-26	Goupille D´Arrêt	Klappstecker	Pasador Elástico	
21	#CYLINDER	2	Cylinder	Cylinder	Cylinder	Cylinder	Loader Hydraulics
22	3520046M6	2	Pin * R Type *	Axe	Bolzen	Pasador	
23	3516015M1	2	Bolt M10-100 Z5s	Goupille	Bolzen	Tornillo	
24	1440329X1	2	Nut, Hex. - Nyloc, M10	Ecrou Blocage	Flachmutter M10	Tuerca De Retención	
25	3522962M1	2	Washer, Thrust - >2.6mm<	Rondelle De Butée	Druckscheibe	Arandela De Tope	
26	3522963M1	2	Washer, Thrust - >3.6mm<	Rondelle De Butée	Druckscheibe	Arandela De Tope	
27	3522717M3	2	Washer Special	Rondelle Spéciale	Speziatscheibe	Arandela	
28	339613X1	2	Bolt M16-25 Z5f	Goupille	Bolzen	Tornillo	
29	1441736X1	2	Pin Spirol 5-26	Goupille D´Arrêt	Klappstecker	Pasador Elástico	
30	6109683M1	1	Pin - Loader To Loader Cylinder (Rh)	Axe	Bolzen	Pasador	



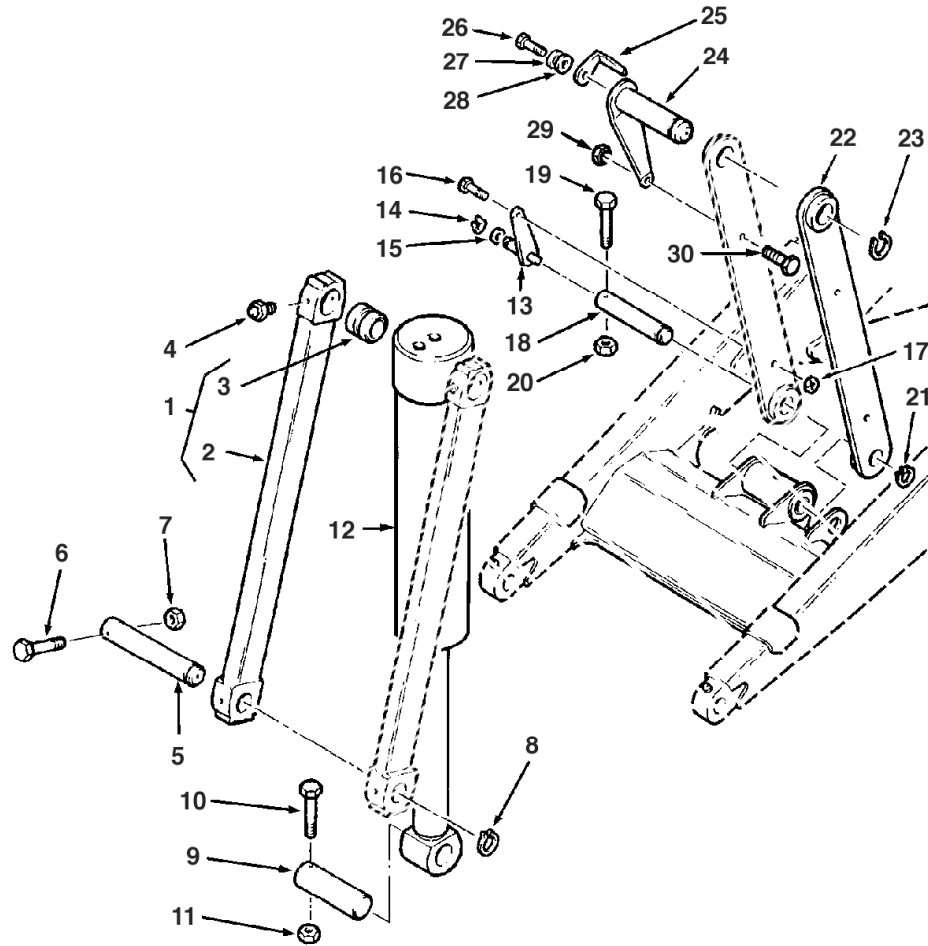
C-65002-01.1-A



Item	Part No.	Qty.	English	French	German	Spanish	Remarks
30	6109663M1	1	Pin - Loader To Loader Cylinder (Lh)	Axe	Bolzen	Pasador	
31	3516014M1	2	Bolt - M10 X 90	Boulon - M10 X 90	Maschschraube M10	Tornillo	
32	1440329X1	2	Nut, Hex. - Nyloc, M10	Ecrou Blocage	Flachmutter M10	Tuerca De Retención	
33	6111481M1	2	Round Insert Dia 38.1	Bouchon	Verschlopfen	Tapón	



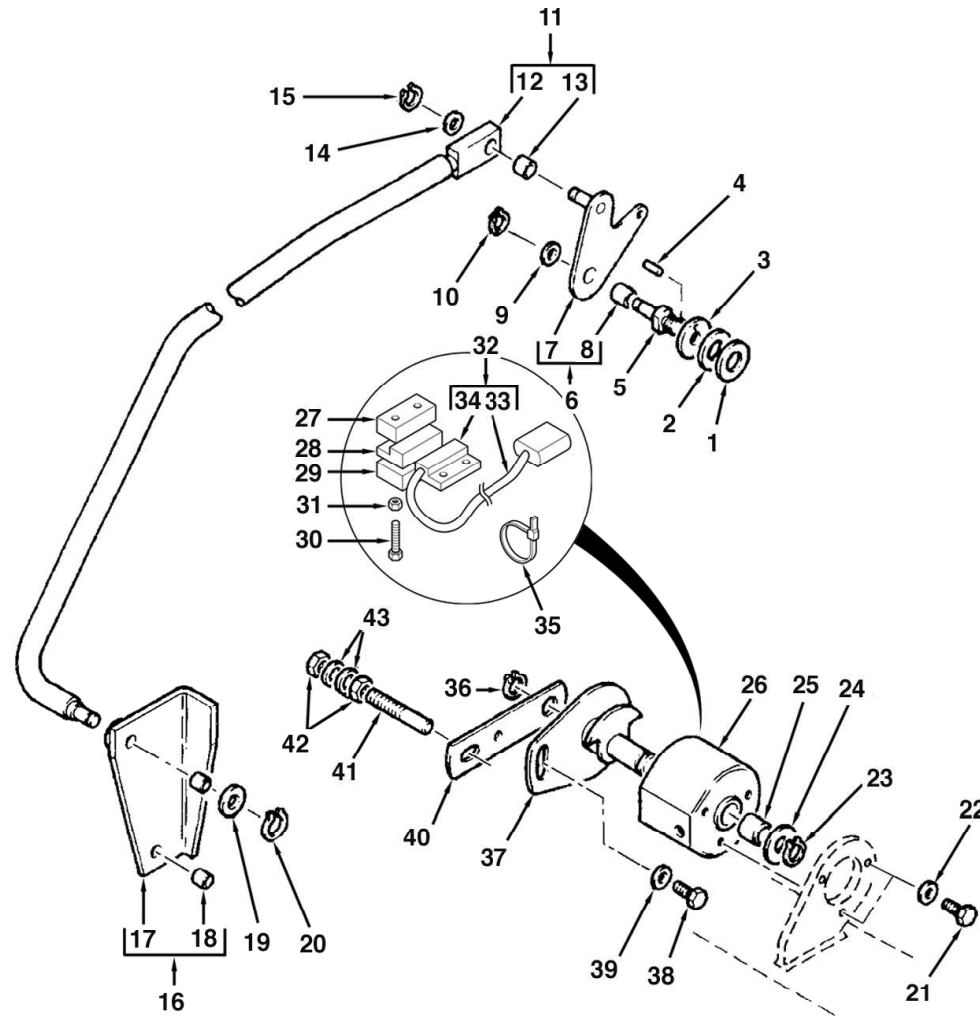
C-65002-02.1-A



Item	Part No.	Qty.	English	French	German	Spanish	Remarks
1	6101983Z91	2	Link - Loader Bucket	Ensemble De Maillon	Gelenkstange Kpl.	Eslabón, Conj.	
2	#LINK	1	Link	Link	Link	Link	Ref.1
3	3521716M1	1	Bush	Douille	Büchse	Anillo	
4	339608X1	2	Grease Nipple - M10 X 1 (Zinc)	Nipple De Graissage	Schmiernippel	Engrasador	
5	3521723M5	1	Pin (50 - 288)	Goupille	Bolzen	Pasador	
6	3501289M1	1	Bolt M10-110 Z5s	Boulon	Sechskantschraube	Tornillo	
7	1440329X1	1	Nut, Hex. - Nyloc, M10	Ecrou Blocage	Flachmutter M10	Tuerca De Retención	
8	391129X1	1	Circlip - External - 50mm	Segment D´Arrêt	Sicherungsring	Anillo De Resorte	
9	6106216M1	1	Pin-Ldr Bucket/Ram	Goupille	Bolzen	Pasador	
10	3516014M1	1	Bolt - M10 X 90	Boulon - M10 X 90	Maschschraube M10	Tornillo	
11	1440329X1	1	Nut, Hex. - Nyloc, M10	Ecrou Blocage	Flachmutter M10	Tuerca De Retención	
12	#CYLINDER	1	Cylinder	Cylinder	Cylinder	Cylinder	Loader Hydraulics
13	3521757M94	1	Pivot W/Assy	Pivot	Drehzapfen	Pivote	
14	3516762M1	1	Circlip	Segment D´Arrêt	Sicherungsring	Anillo De Resorte	
15	339300X1	1	Washer Dia 15	Rondelle	Scheibe	Arandela	
16	3516013M1	1	Bolt M10-40 Z5s	Boulon	Schraube	Tornillo	
17	1440329X1	1	Nut, Hex. - Nyloc, M10	Ecrou Blocage	Flachmutter M10	Tuerca De Retención	
18	3520465M5	1	Pin Large	Axe	Bolzen	Pasador	
19	3516014M1	1	Bolt - M10 X 90	Boulon - M10 X 90	Maschschraube M10	Tornillo	
20	1440329X1	1	Nut, Hex. - Nyloc, M10	Ecrou Blocage	Flachmutter M10	Tuerca De Retención	
21	339820X1	1	Circlip Ext 40mm	Anneau D´Arrêt	Sprengring	Anillo De Resorte	
22	3522361Z93	2	Link	Maillon	Gelenkstange	Eslabón, Conj.	
23	391129X1	1	Circlip - External - 50mm	Segment D´Arrêt	Sicherungsring	Anillo De Resorte	
24	3522679M94	1	Pin Large	Axe	Bolzen	Pasador	
25	3516352M1	1	Pointer - Rtd	Témoin	Anzeige	Indicador	
26	339081X1	1	Screw - Hex HD M10 X 20 ISO 8.8 Zn	Vis	Schraube	Tornillo	
27	390734X1	1	Washer M10-21-2 Z	Rondelle - M10	Unterlegscheibe	Arandela	
28	339376X1	1	Washer M10-18-2 Zsp	Rondelle Frein	Federring	Arandela De Freno	
29	1440329X1	1	Nut, Hex. - Nyloc, M10	Ecrou Blocage	Flachmutter M10	Tuerca De Retención	
30	3516013M1	1	Bolt M10-40 Z5s	Boulon	Schraube	Tornillo	



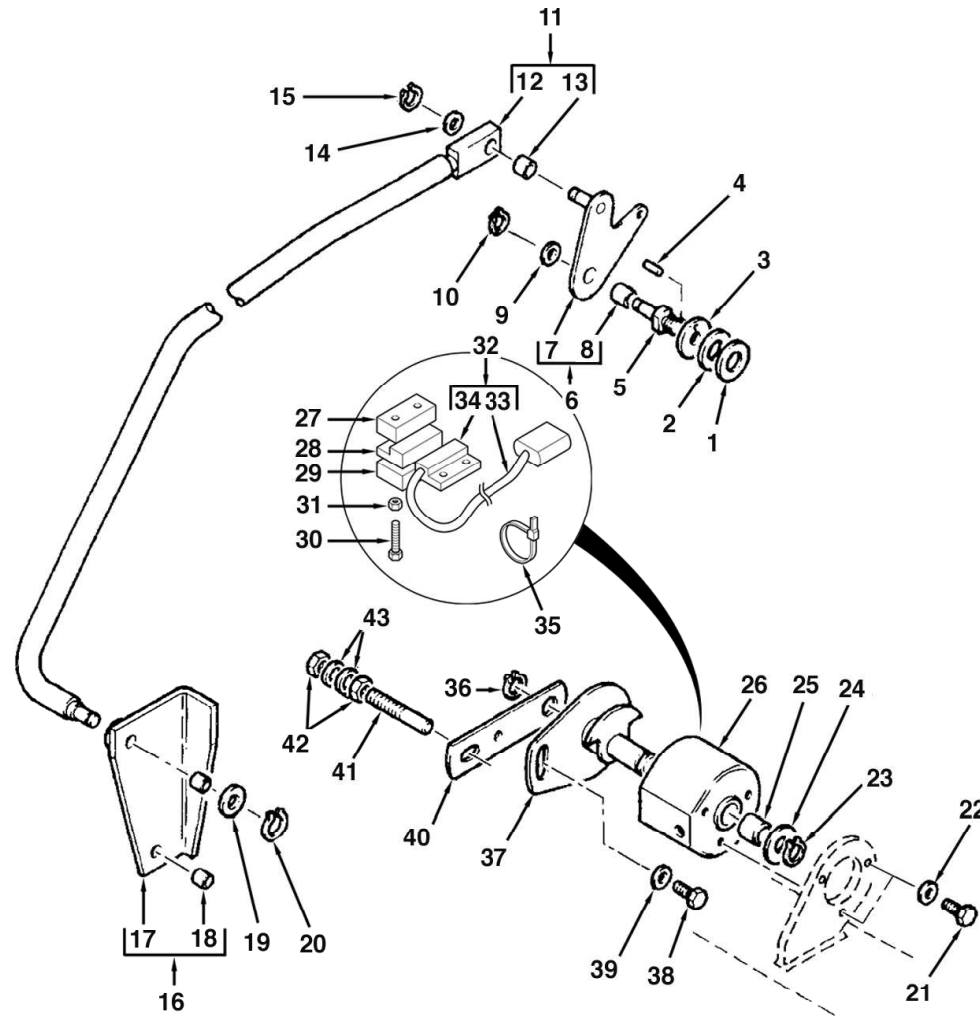
C-65002-03.1-A



Item	Part No.	Qty.	English	French	German	Spanish	Remarks
1	3522963M1	1	Washer, Thrust - >3.6mm<	Rondelle De Butée	Druckscheibe	Arandela De Tope	
2	3522962M1	1	Washer, Thrust - >2.6mm<	Rondelle De Butée	Druckscheibe	Arandela De Tope	
3	3522717M3	1	Washer Special	Rondelle Spéciale	Spezialscheibe	Arandela	
4	1441736X1	1	Pin Spirol 5-26	Goupille D´Arrêt	Klappstecker	Pasador Elástico	
5	3521799M5	1	Shaft Pivot	Arbre	Welle	Árbol	
6	3516765M91	1	Arm Assy	Bras Ass.	Arm Kplt	Brazo, Conj.	65002c04.1 34
7	#ARM	1	Arm	Bras	Arm	Brazo	Ref.6
8	3516761M1	1	Bush	Douille	Büchse	Anillo	
9	339300X1	1	Washer Dia 15	Rondelle	Scheibe	Arandela	
10	3516762M1	1	Circlip	Segment D´Arrêt	Sicherungsring	Anillo De Resorte	
11	6107911M91	1	Rod, Link - Return To Dig	Ensemble De Maillon	Gelenkstange Kpl.	Eslabón, Conj.	
12	#LINK	1	Link	Link	Link	Link	Ref.11
13	3516761M1	1	Bush	Douille	Büchse	Anillo	
14	339300X1	1	Washer Dia 15	Rondelle	Scheibe	Arandela	
15	3516762M1	1	Circlip	Segment D´Arrêt	Sicherungsring	Anillo De Resorte	
16	6100971M91	1	Link-Assy	Maillon Ass.	Gelenkstange Kplt	Soporte De Fijación	
17	#LINK	1	Link	Link	Link	Link	Ref.14
18	3516761M1	1	Bush	Douille	Büchse	Anillo	
19	339300X1	1	Washer Dia 15	Rondelle	Scheibe	Arandela	
20	3516762M1	1	Circlip	Segment D´Arrêt	Sicherungsring	Anillo De Resorte	
21	339123X1	3	Bolt M8-20 Z5f	Boulon M8 X 20	Maschschraube M8	Perno	
22	339374X1	3	Washer M8 -21-2 Z	Rondelle Frein - M8	Federring - M8	Arandela De Freno	
23	3516762M1	1	Circlip	Segment D´Arrêt	Sicherungsring	Anillo De Resorte	
24	339300X1	1	Washer Dia 15	Rondelle	Scheibe	Arandela	
25	3516761M1	1	Bush	Douille	Büchse	Anillo	
26	3521963M94	1	Housing - Mech. Rtn. To Dig Potentiom.	Carter	Gehäuse	Cárter	
27	3522874M1	2	Plate Tapped	Plaque	Platte	Placa	
28	3522649M2	1	Magnet Unit	Aimant	Magnet	Imán	
29	3522093M1	2	Spacer	Entretoise	Distanzstück	Traviesa	
30	3522673M2	4	Screw Pan HD	Vis	Schraube	Tornillo	



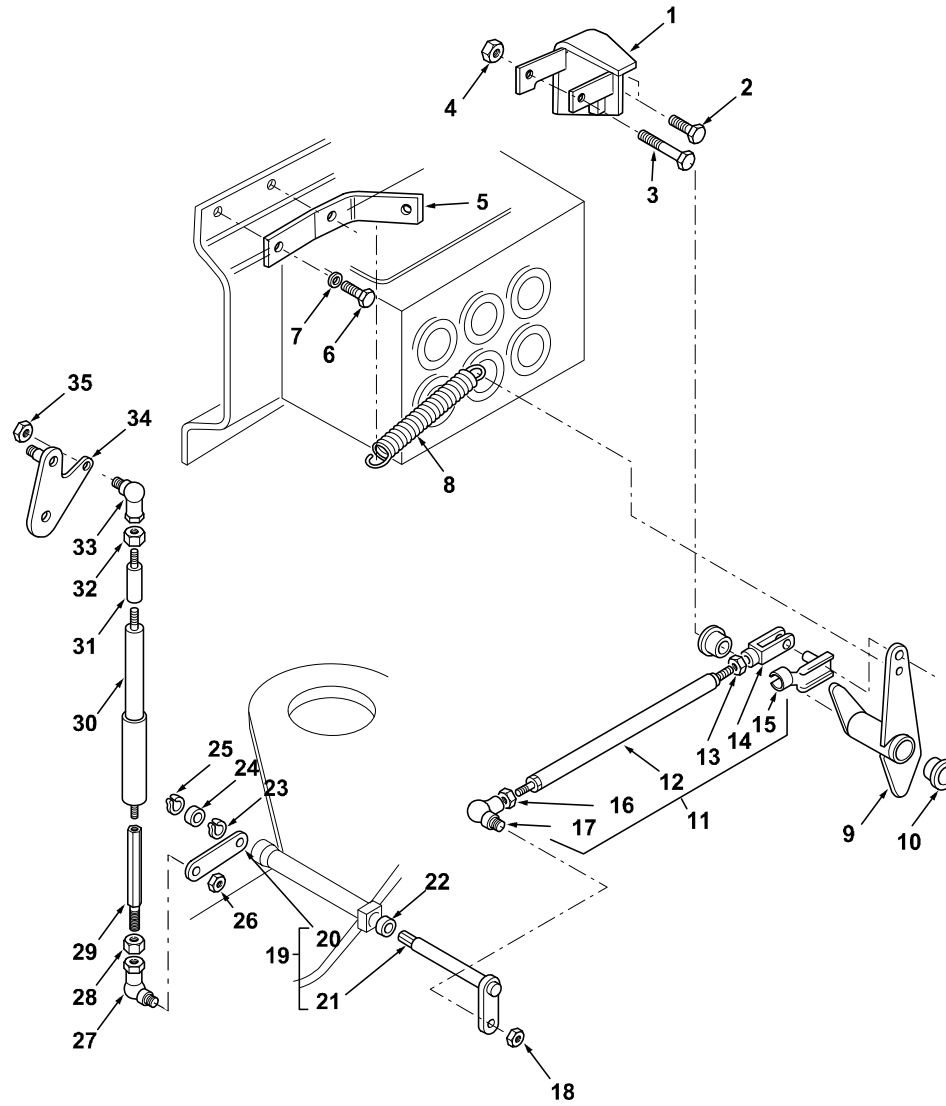
C-65002-03.1-A



Item	Part No.	Qty.	English	French	German	Spanish	Remarks
31	3522674M1	4	Washer Lock	Rondelle Frein	Scheibe, Sicherungs-	Arandela De Freno	
32	6101674M93	1	Harness - Return To Dig	Faisceau	Beschirrung	Haz, Conj.	
33	#HARNNESS	1	Harness	Harness	Harness	Harness	Ref.32
34	3522650M2	1	Potentiometer - Mech. Rtn.To Dig & Seat	Capteur	Potentiometer	Captador	
35	1862425M1	0	Tie 385mm T50I	Attache Cable	Kabelbinder	Enlace De Cable	
36	3516762M1	1	Circlip	Segment D'Arrêt	Sicherungsring	Anillo De Resorte	
37	3521967M96	1	Arm	Bras	Arm	Brazo	
38	339123X1	1	Bolt M8-20 Z5f	Boulon M8 X 20	Maschschraube M8	Perno	
39	390972X1	1	Washer M8-17-1 Zwel	Rondelle M8	Scheibe - M8	Arandela	
40	3516192M91	1	Arm	Bras	Arm	Brazo, Conj.	
41	3522075M2	1	Shaft Pivot	Pivot	Wellenzapfen	Pivote	
42	3009693X1	2	Nut M10 Z5 Normal	Ecrou Métrique	Mutter Metrisch	Tuerca	
43	339376X1	2	Washer M10-18-2 Zsp	Rondelle Frein	Federring	Arandela De Freno	



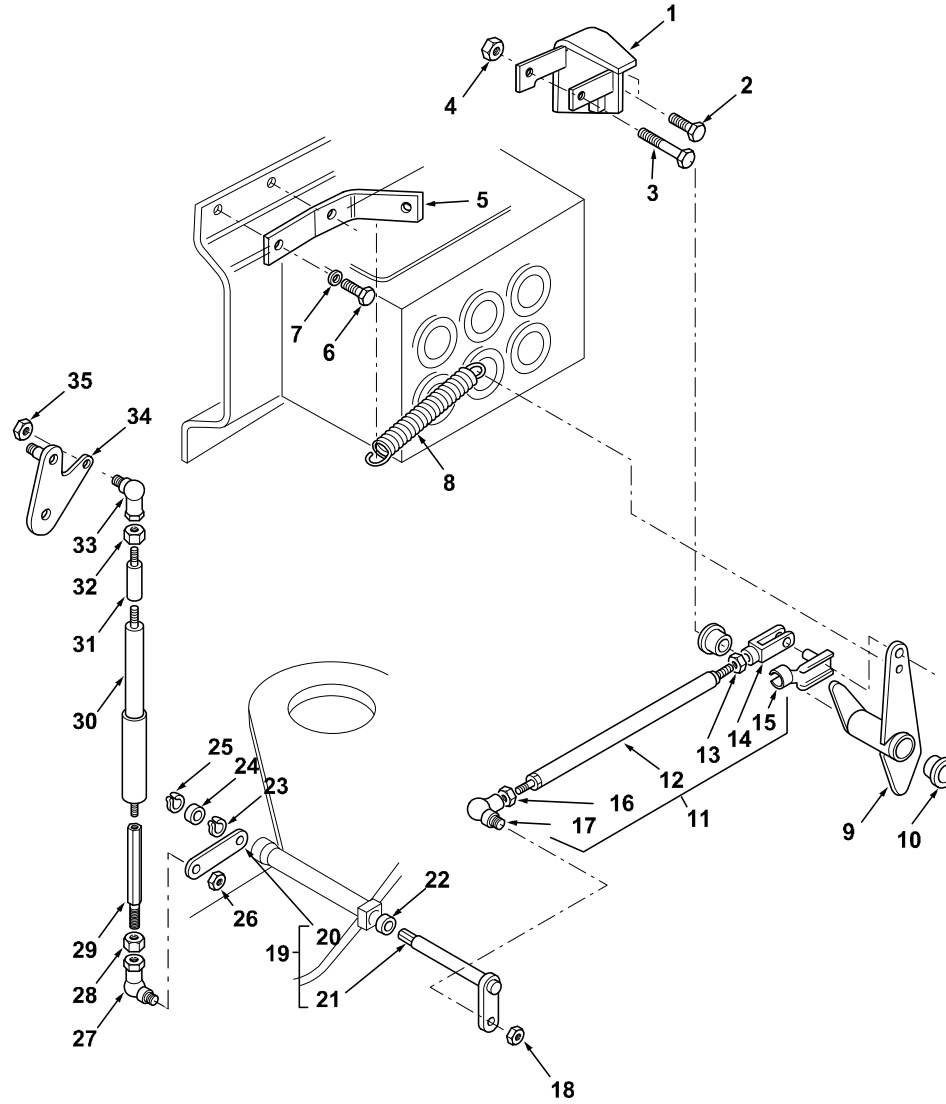
C-65002-04.1-B



Item	Part No.	Qty.	English	French	German	Spanish	Remarks
1	6109363M92	1	Bracket - Self Level Lever W/Assy	Patte Fixation	Halter	Cuchara, Conj.	
2	3009492X1	2	Bolt - Hex. M10 X 25	Boulon M10 X 25	Schraube M10 X 25	Tornillo	
3	3009517X1	1	Bolt M12-100	Goupille	Bolzen	Tornillo	
4	1440330X1	1	Nut Nyloc M12	Ecrou	Flachmutter M12	Tuerca	
5	6109369M1	1	Anchor Spring	Siège De Ressort	Federsitz	Ancla	
6	3009492X1	2	Bolt - Hex. M10 X 25	Boulon M10 X 25	Schraube M10 X 25	Tornillo	
7	385362X1	2	Washer, Hardened - M10	Rondelle - M10	Unterlegscheibe M10	Arandela	
8	3519680M2	1	Spring	Siège De Ressort	Federsitz	Muelle	
9	6106694M91	1	Lever-Self Level	Levier Ass.	Hebel Kpl.	Palanca, Conj.	
10	6106560M1	2	Bush	Douille	Buechse	Anillo	
11	6106691M92	1	Rod Assy Self Level	Ensemble Tringlerie	Gestänge	Tirantes, Conj.	
12	#ROD	1	Rod	Rod	Rod	Rod	Ref. 11
13	3009693X1	1	Nut M10 Z5 Normal	Ecrou Métrique	Mutter Metrisch	Tuerca	
14	3521833M1	1	Clevis	Chape	Gabelverbindung	Brida	
15	3521834M1	1	Pin Clevis	Axe De Chape	Gabelstift	Eje De Brida	
16	3009693X1	1	Nut M10 Z5 Normal	Ecrou Métrique	Mutter Metrisch	Tuerca	
17	3521794M91	1	Joint Ball	Rotule	Kugelgelenk	Rotula	
18	1440329X1	1	Nut, Hex. - Nyloc, M10	Ecrou Blocage	Flachmutter M10	Tuerca De Retención	
19	6109072M91	1	Lever/Arm Assy. Self Level	Ensemble De Bras	Arm Kpl.	Brazo, Conj.	
20	#LEVER	1	Lever	Lever	Lever	Lever	Ref. 19
21	#ARM	1	Arm	Bras	Arm	Brazo	Ref. 19
22	3521514M5	1	Bush	Douille	Büchse	Anillo	
23	339710X1	1	Circlip Ext 11mm	Segment D'Arrêt	Sicherungsring	Anillo De Resorte	
24	3521514M5	1	Bush	Douille	Büchse	Anillo	
25	339710X1	1	Circlip Ext 11mm	Segment D'Arrêt	Sicherungsring	Anillo De Resorte	
26	1440329X1	1	Nut, Hex. - Nyloc, M10	Ecrou Blocage	Flachmutter M10	Tuerca De Retención	
27	3521794M91	1	Joint Ball	Rotule	Kugelgelenk	Rotula	
28	3009693X1	1	Nut M10 Z5 Normal	Ecrou Métrique	Mutter Metrisch	Tuerca	
29	6112271M1	1	Turnbuckle- RH	Tendeur De Tringle	Spannschloss	Torniquete	
30	6106239M91	1	Gas Strut - Bucket Levelling	Ensemble D&Amortiss.	Dämpfer Kpl.	Antivibrador, Conj.	



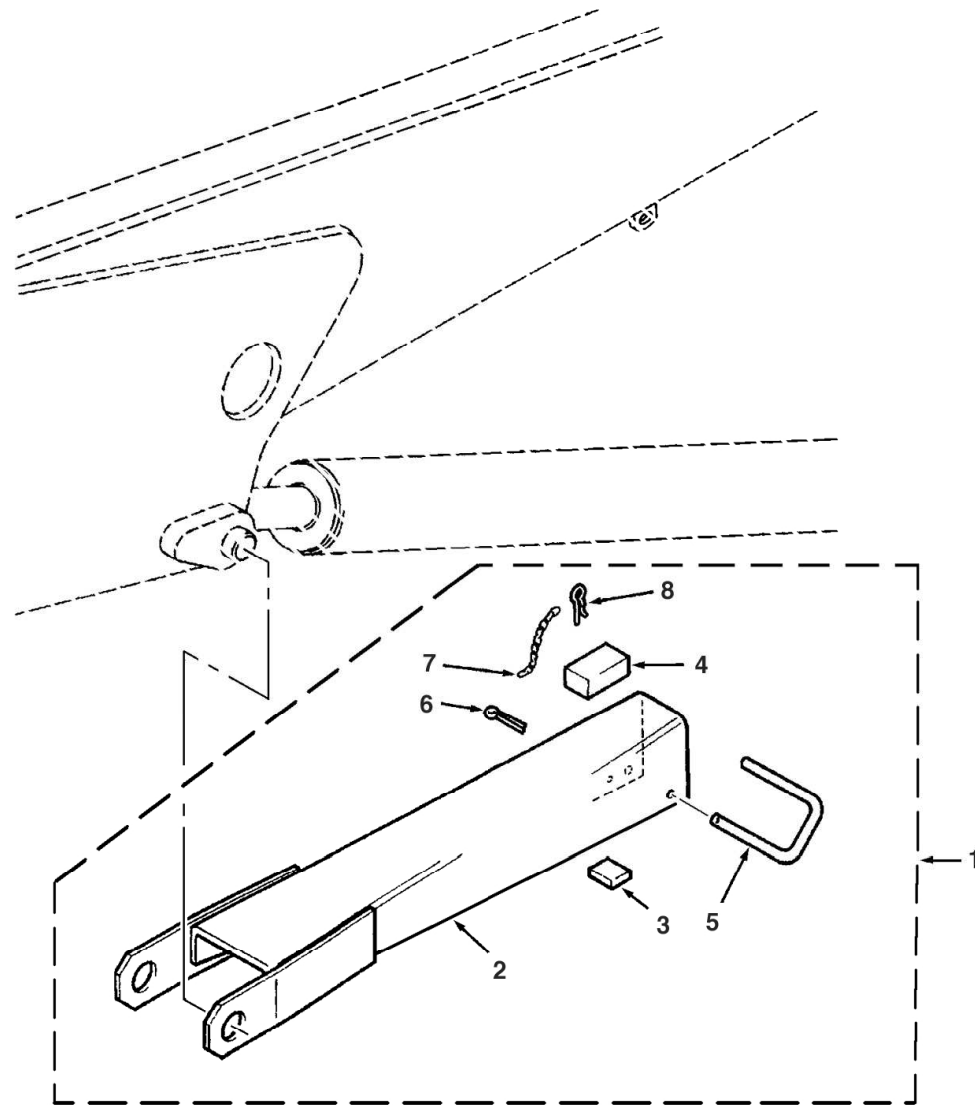
C-65002-04.1-B



Item	Part No.	Qty.	English	French	German	Spanish	Remarks
31	6106241M1	1	Turnbuckle-Gas Strut	Tendeur De Tringle	Spannschloss	Torniquete	LH Thread
32	6107340M1	1	Nut-Hex M10x1.5 LH	Ecrou	Mutter	Tuerca	
33	3521889M91	1	Joint Ball	Rotule	Kugelgelenk	Rotula	LH Thread
34	3516765M91	1	Arm Assy	Bras Ass.	Arm Kplt	Brazo, Conj.	65002c03.1 6
35	1440329X1	1	Nut, Hex. - Nyloc, M10	Ecrou Blocage	Flachmutter M10	Tuerca De Retención	

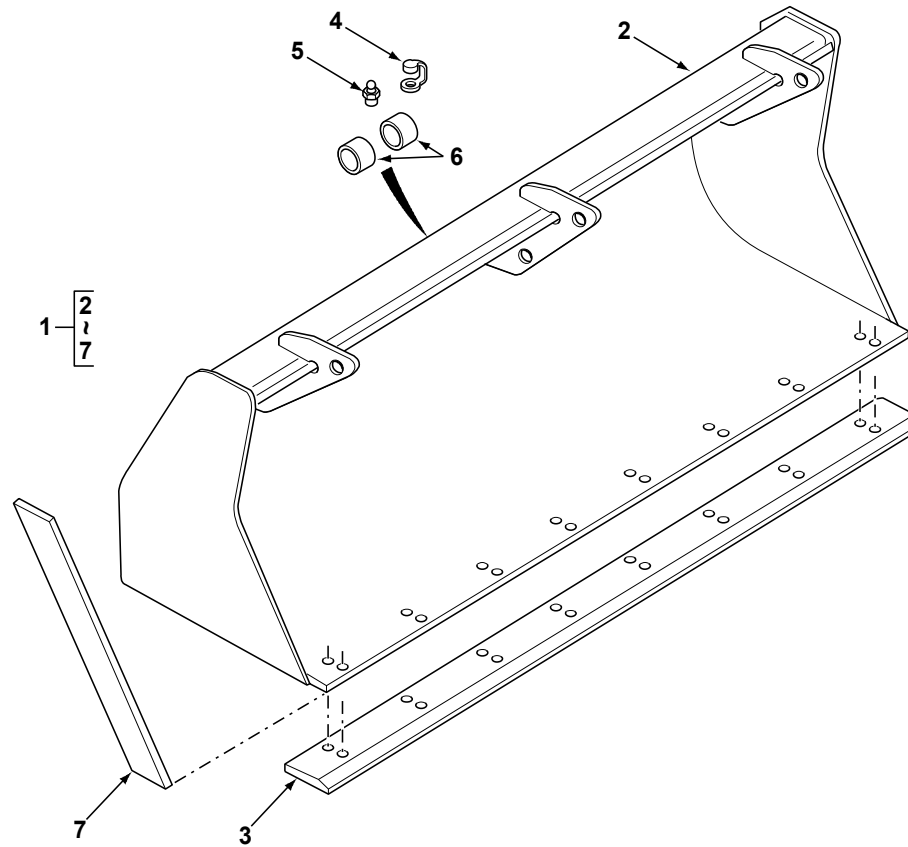


C-65002-05.1-A



Item	Part No.	Qty.	English	French	German	Spanish	Remarks
1	6101183M92	1	Arm-Safety	Support	Haltevorrichtung	Apoyadero, Conj.	
2	#SUPPORT	1	Support	Support	Support	Support	Ref.1
3	1471300M1	1	Pad Neoprene	Plaque Antidérapante	Zwischenlage	Tope	
4	1458633M3	1	Pad-Neoprene	Plaque Antidérapante	Zwischenlage	Tope	
5	3521910M2	1	Pin Double	Axe	Bolzen	Pasador De Parada	
6	1442994X1	1	Pin Cotter M3.2x25	Démodé	Überholt	Pasador	
7	3517165M1	1	Chain (Agriculture)	Chaîne	Kette	Cadena	
8	377165X1	1	Split Pin/Safety Pin	Goupille D'Arrêt	Splint	Pasador De Parada	

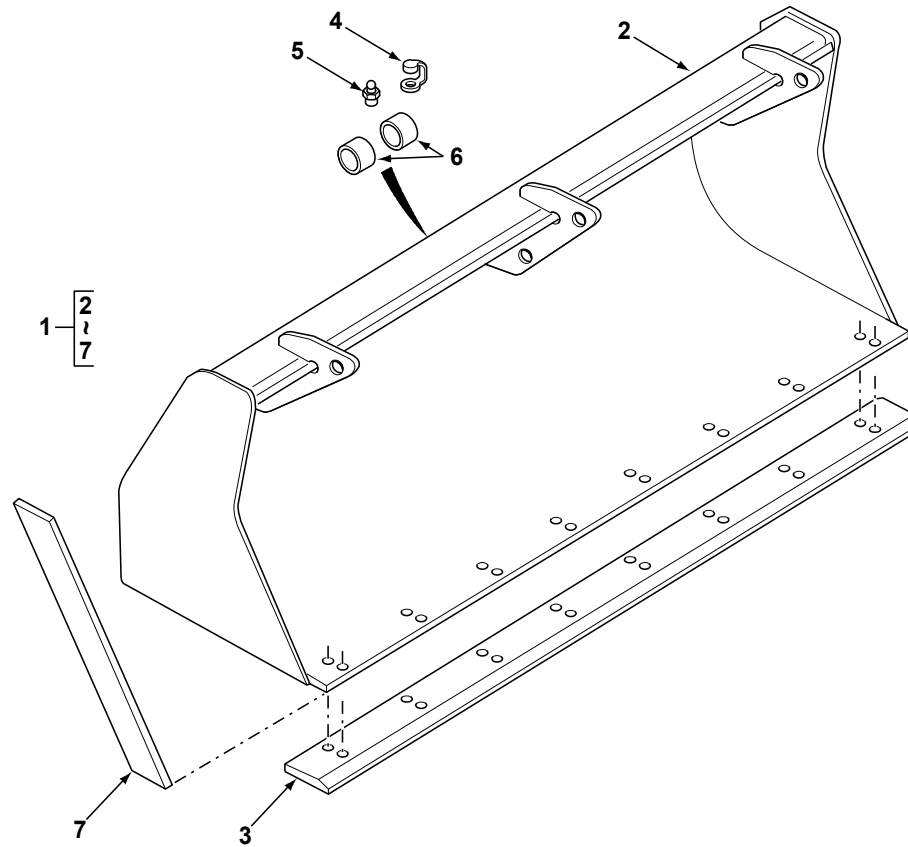
C-66003-01.1-A



Item	Part No.	Qty.	English	French	German	Spanish	Remarks
1	6108216M91	1	Bucket 1cm Std Loader With Fork Brackets	Godet	Ladeschaufel	Cuchara, Conj.	
2	#BUCKET	1	Bucket	Bucket	Bucket	Bucket	Ref.1
3	6103468M1	1	Blade-Narrow Bucket	Lame	Planierschild	Cuchilla	1.0m ³ Bucket
4	3516180M2	1	Cap Grease Nipple	Cache	Abdeckung	Tapa	
5	339608X1	1	Grease Nipple - M10 X 1 (Zinc)	Nipple De Graissage	Schmiernippel	Engrasador	
6	3520033M1	2	Bush	Douille	Büchse	Anillo	
7	6103458M1	2	Blade-1cm Bucket Side	Lame D'Attaque	Schneidkante	Cuchilla De Ataque	



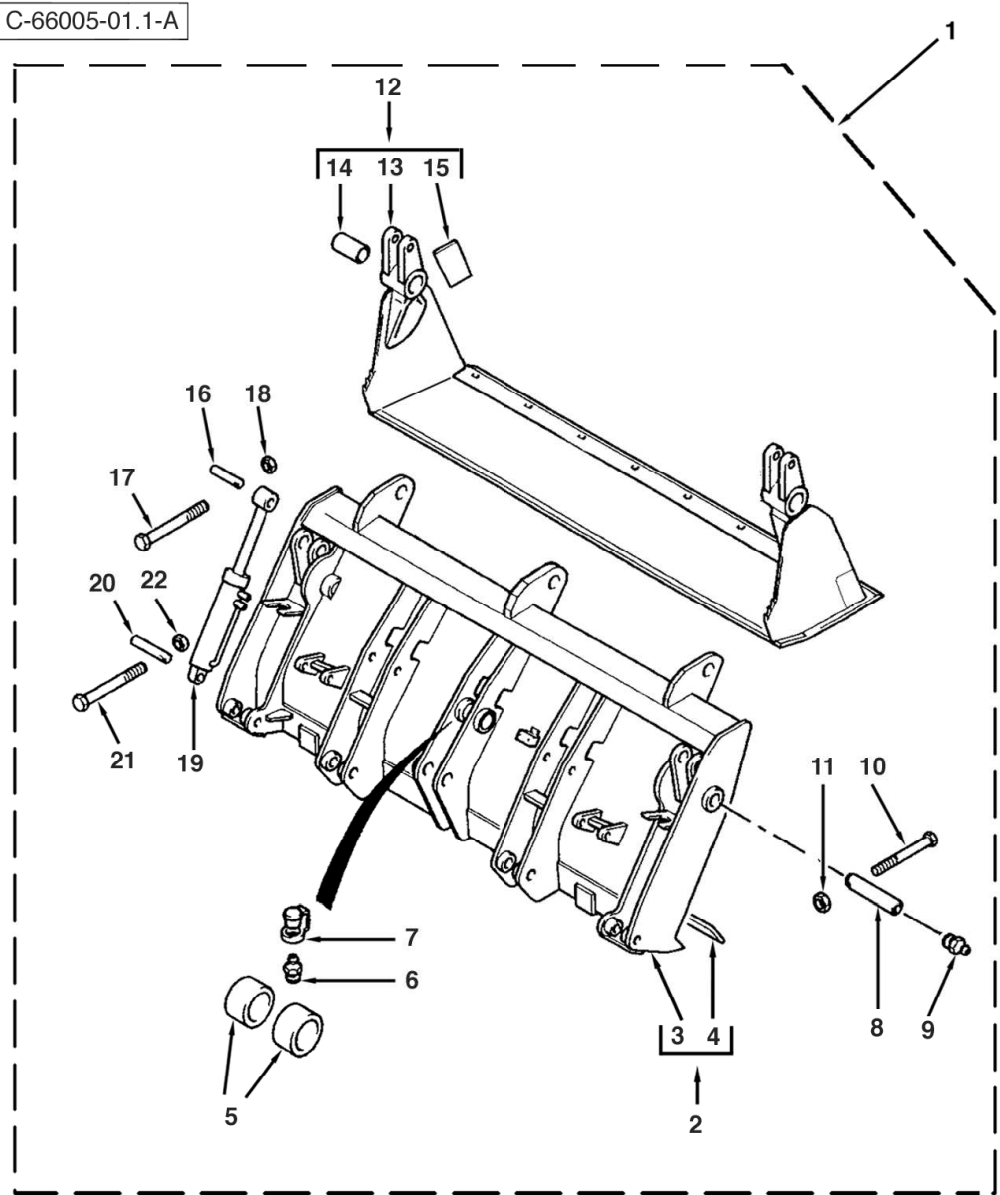
C-66004-01.1-A



Item	Part No.	Qty.	English	French	German	Spanish	Remarks
1	6108217M91	1	Bucket 1.2cm Std Ldr With Fork Brackets	Godet	Ladeschaufel	Cuchara, Conj.	
2	#BUCKET	1	Bucket	Bucket	Bucket	Bucket	Ref.1
3	6103440M1	1	Blade-Wide Bucket	Lame	Planierschild	Cuchilla	1.2m ³ Bucket
4	3516180M2	1	Cap Grease Nipple	Cache	Abdeckung	Tapa	
5	339608X1	1	Grease Nipple - M10 X 1 (Zinc)	Nipple De Graissage	Schmiernippel	Engrasador	
6	3520033M1	2	Bush	Douille	Büchse	Anillo	
7	6103458M1	2	Blade-1cm Bucket Side	Lame D'Attaque	Schneidkante	Cuchilla De Ataque	



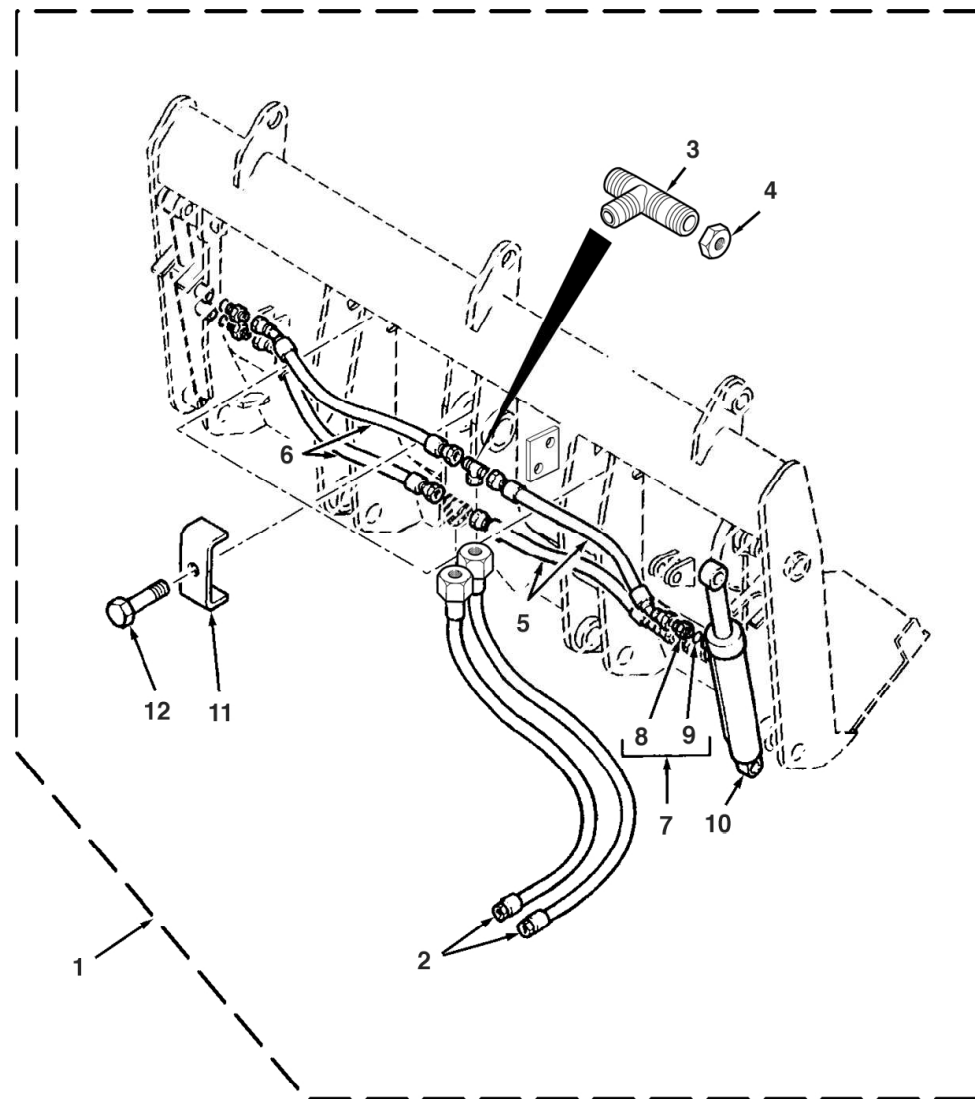
C-66005-01.1-A



Item	Part No.	Qty.	English	French	German	Spanish	Remarks
1	6106218M92	1	Bucket-1.0 Cu.M Mp Loader 19cm Side Long	Godet	Ladeschaufel	Cuchara - 7 X 1	
2	3517159M1	2	Pin	Axe	Bolzen	Pasador	
3	6111075M91	1	Cylinder 4 In 1 Bucket	Cylinder 4 In 1 Bucket	Cylinder 4 In 1 Bucket	Cylinder 4 In 1 Bucket	
4	6106215M1	2	Pin-Mp Ldr Bucket Cyl Rod End	Axe	Bolzen	Pasador	
5	1440329X1	2	Nut, Hex. - Nyloc, M10	Ecrou Blocage	Flachmutter M10	Tuerca De Retención	
6	3009504X1	2	Bolt M10-100 Z5s	Goupille	Bolzen M10 X 100	Tornillo	
7	#BUCKET	1	Bucket	Bucket	Bucket	Bucket	
8	339608X1	1	Grease Nipple - M10 X 1 (Zinc)	Nipple De Graissage	Schmiernippel	Engrasador	
9	3516180M2	1	Cap Grease Nipple	Cache	Abdeckung	Tapa	
10	6103648M92	1	Clam-1 Cm Fermec Ldr Bucket	Ensemble De Mâchoire	Greiferbacke Kpl.	Mordaza, Conj.	
11	6103657M1	2	Blade	Lame	Klinge	Cuchilla De Ataque	
12	3519689M1	2	Bushing	Bague	Büchse	Anillo	
13	#CLAM ASSY	1	Clam Assy	Clam Assy	Clam Assy	Clam Assy	Ref.10
14	339891X1	2	Bolt M8-80 Z5s	Boulon M8 X 80	Maschschraube M8	Tornillo	
15	394367X1	2	Nut, Hex. - Nyloc, M8	Ecrou Blocage M8	Flachmutter - M8	Tuerca De Retención	
16	MP1056	2	Grease Nipple	Nipple De Graissage	Schmiernippel	Engrasador	
17	3507539M1	2	Pin-Main Pivot	Axe	Bolzen	Pasador	
18	6103678M1	1	Blade	Lame	Klinge	Cuchilla	Ref.19
19	6103622M92	1	Backblade - 1 Cm	G0det 7 En 1	Löffel 7 In 1	Cuchara - 7 X 1	
20	3520033M1	2	Bush	Douille	Büchse	Anillo	
21	390246X1	2	Bolt M8-70	Goupille	Bolzen	Perno	
22	394367X1	2	Nut, Hex. - Nyloc, M8	Ecrou Blocage M8	Flachmutter - M8	Tuerca De Retención	



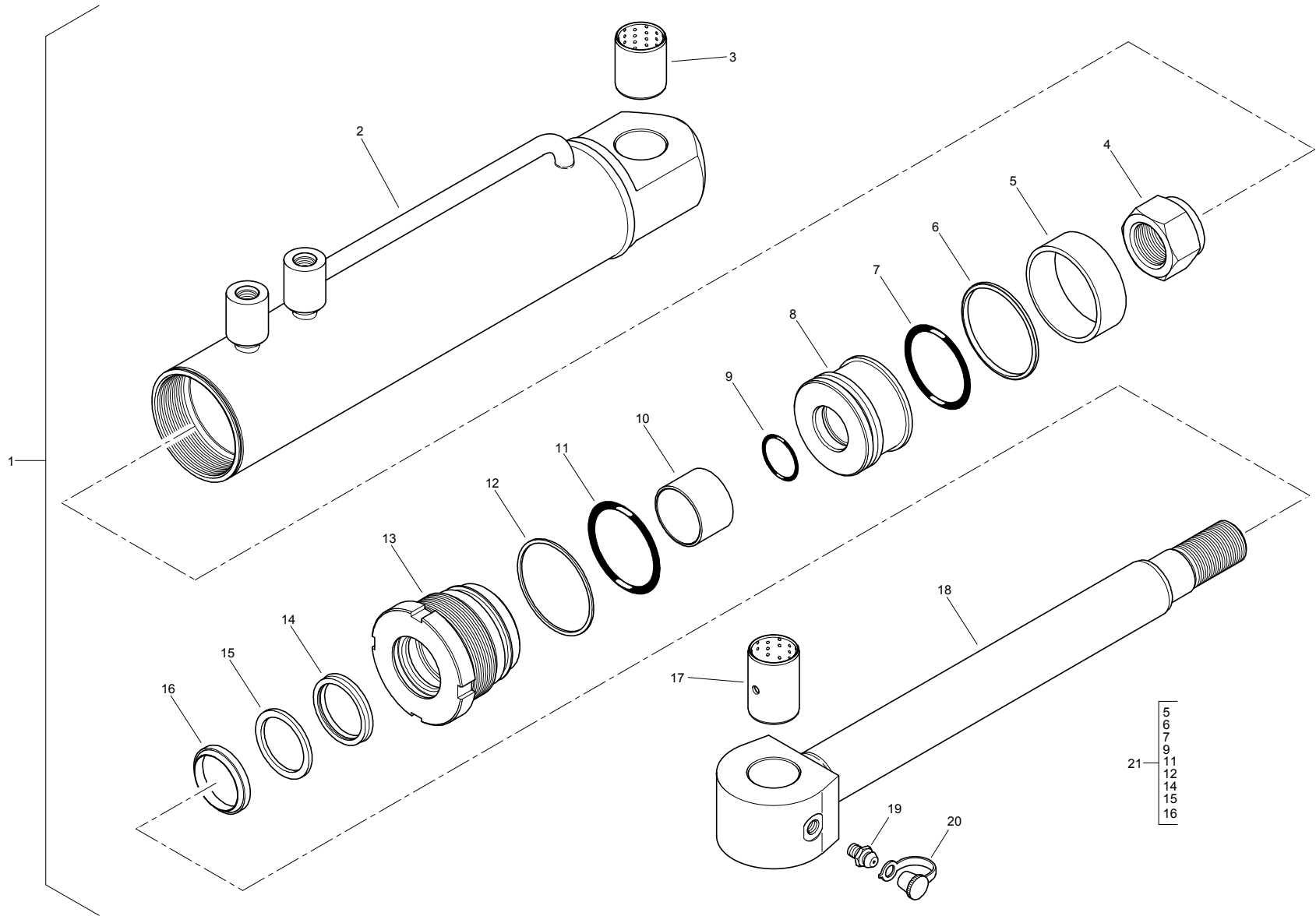
C-66005-02.1-A



Item	Part No.	Qty.	English	French	German	Spanish	Remarks
1	831452M1	1	O Ring (Pack Of 10)	Joint Torique	O Ring	Junta De Tipo O	
2	#UNION	1	Union	Union	Union	Union	Ref.3
3	835091M91	4	Connector 9/16 Unf	Borne	Doppelnippel	Unión	
4	6106213M91	2	Hose-Mp Loader Bucket	Flexible Ass.	Schlauch Kplt	Flexible, Conj.	
5	218-1236	2	Connector, "T" - Special	Raccord En T	T-Stück	Te	
6	356614X1	2	Nut, Large, Hex. - Jamb, 1/2" Unf	Ecrou	Mutter	Tuerca De Retención	
7	339761X1	3	Bolt M8-25 Z5f	Goupille	Bolzen M8 X 25	Tornillo	
8	3522094M2	3	Clamp - Tube	Bride De Fixation	Befestigungshalter	Brida De Fijación	
9	6106212M91	2	Hose-Mp Loader Bucket	Flexible Ass.	Schlauch Kplt	Flexible, Conj.	
10	6106214M91	2	Hose-Mp Loader Bucket	Flexible Ass.	Schlauch Kplt	Flexible, Conj.	

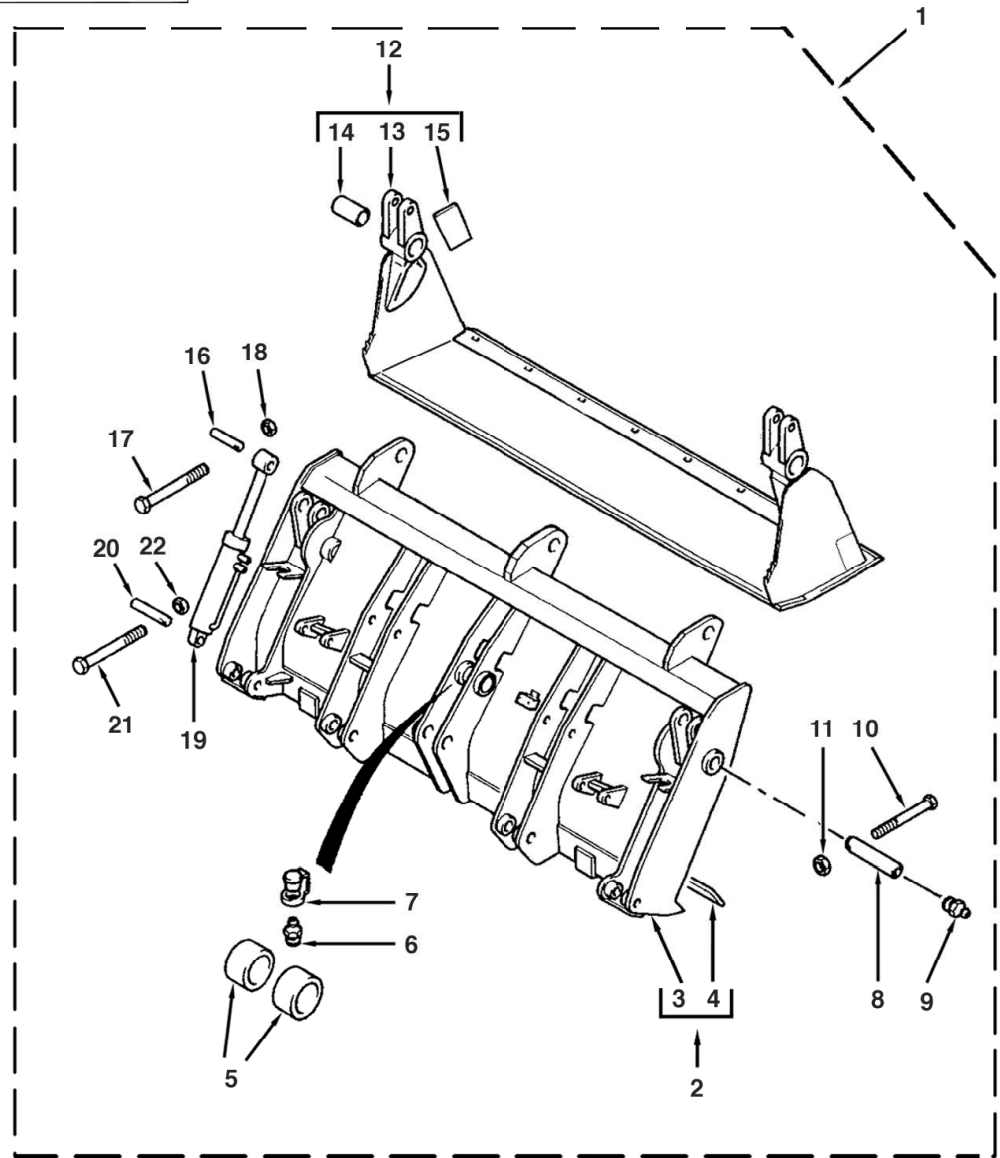


C-66005-03.2-A



Item	Part No.	Qty.	English	French	German	Spanish	Remarks
1	6111075M91	1	Cylinder 4 In 1 Bucket	Cylinder 4 In 1 Bucket	Cylinder 4 In 1 Bucket	Cylinder 4 In 1 Bucket	
2	6195221M91GY03	1	Tube - S/A (Terex Grey)	Tube - S/A (Terex Grey)	Tube - S/A (Terex Grey)	Tube - S/A (Terex Grey)	
3	6195225M1	1	Bush	Bush	Bush	Bush	
4	6194600M1	1	Nut - Nyloc	Ecrou Blocage	Flachmutter	Tuerca	
5	6194606M1	1	Bearing - Piston	Coussinet	Lager	Teniendo - Pistón	
6	6194604M1	1	Seal - Piston	Joint Étanchéité	Dichtring	Junta	
7	6195227M1	1	O - Ring	O - Ring	O - Ring	O - Ring	
8	6194598M1	1	Piston	Piston	Kolben	Pistón	
9	6195228M1	1	O - Ring	O - Ring	O - Ring	O - Ring	
10	6195226M1	1	Bush - Bimetal	Bush - Bimetal	Bush - Bimetal	Bush - Bimetal	
11	6195229M1	1	O - Ring	O - Ring	O - Ring	O - Ring	
12	6194613M1	1	Ring - Back Up	Contre Bague	Stutzring	ContraJunta	
13	6195223M1	1	Cover - Head End	Cover - Head End	Cover - Head End	Cover - Head End	
14	6195216M1	1	Seal - Rod	Seal - Rod	Seal - Rod	Seal - Rod	
15	6195217M1	1	Ring - Back Up	Ring - Back Up	Ring - Back Up	Ring - Back Up	
16	6195218M1	1	Wiper	Wiper	Wiper	Wiper	
17	6195224M1	1	Bush	Bush	Bush	Bush	
18	6195222M91	1	Rod - S/A	Rod - S/A	Rod - S/A	Rod - S/A	
19	MP1056	1	Grease Nipple	Nipple De Graissage	Schmiernippel	Engrasador	
20	3516180M2	1	Cap Grease Nipple	Cache	Abdeckung	Tapa	
21	6195230M91	1	Seal Kit	Seal Kit	Seal Kit	Seal Kit	

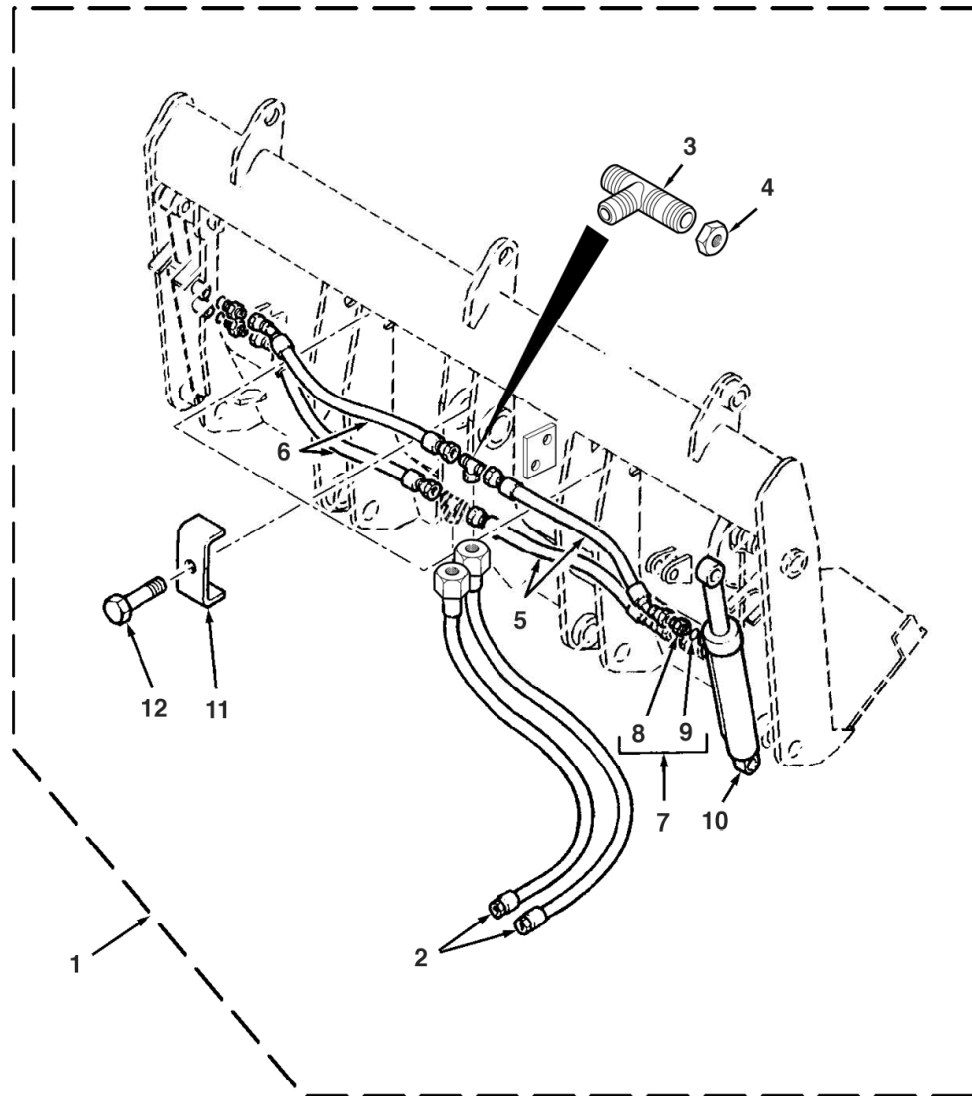
C-66006-01.1-A



Item	Part No.	Qty.	English	French	German	Spanish	Remarks
1	6106283M92	1	Bucket-1.2cu.M Mp Ldr 28cm Side Long	Godet	Ladeschaufel	Cuchara - 7 X 1	
2	3517159M1	2	Pin	Axe	Bolzen	Pasador	
3	6111075M91	1	Cylinder 4 In 1 Bucket	Cylinder 4 In 1 Bucket	Cylinder 4 In 1 Bucket	Cylinder 4 In 1 Bucket	
4	6106215M1	2	Pin-Mp Ldr Bucket Cyl Rod End	Axe	Bolzen	Pasador	
5	1440329X1	2	Nut, Hex. - Nyloc, M10	Ecrou Blocage	Flachmutter M10	Tuerca De Retención	
6	3009504X1	2	Bolt M10-100 Z5s	Goupille	Bolzen M10 X 100	Tornillo	
7	#BUCKET	1	Bucket	Bucket	Bucket	Bucket	
8	339608X1	1	Grease Nipple - M10 X 1 (Zinc)	Nipple De Graissage	Schmiernippel	Engrasador	
9	3516180M2	1	Cap Grease Nipple	Cache	Abdeckung	Tapa	
10	6103647M92	1	Clam-1.2 Cm Fermec Ldr Bucket	Mâchoire	Backe	Mordaza, Conj.	
11	6103657M1	2	Blade	Lame	Klinge	Cuchilla De Ataque	
12	3519689M1	2	Bushing	Bague	Büchse	Anillo	
13	#CLAM ASSY	1	Clam Assy	Clam Assy	Clam Assy	Clam Assy	
14	339891X1	2	Bolt M8-80 Z5s	Boulon M8 X 80	Maschschraube M8	Tornillo	
15	394367X1	2	Nut, Hex. - Nyloc, M8	Ecrou Blocage M8	Flachmutter - M8	Tuerca De Retención	
16	MP1056	2	Grease Nipple	Nipple De Graissage	Schmiernippel	Engrasador	
17	3507539M1	2	Pin-Main Pivot	Axe	Bolzen	Pasador	
18	3519514M1	1	Blade	Lame	Klinge	Cuchilla	
19	6103620M92	1	Backblade-1.2 Cm	Lame	Klinge	Cuchara - 7 X 1	
20	3520033M1	2	Bush	Douille	Büchse	Anillo	
21	390246X1	2	Bolt M8-70	Goupille	Bolzen	Perno	
22	394367X1	2	Nut, Hex. - Nyloc, M8	Ecrou Blocage M8	Flachmutter - M8	Tuerca De Retención	



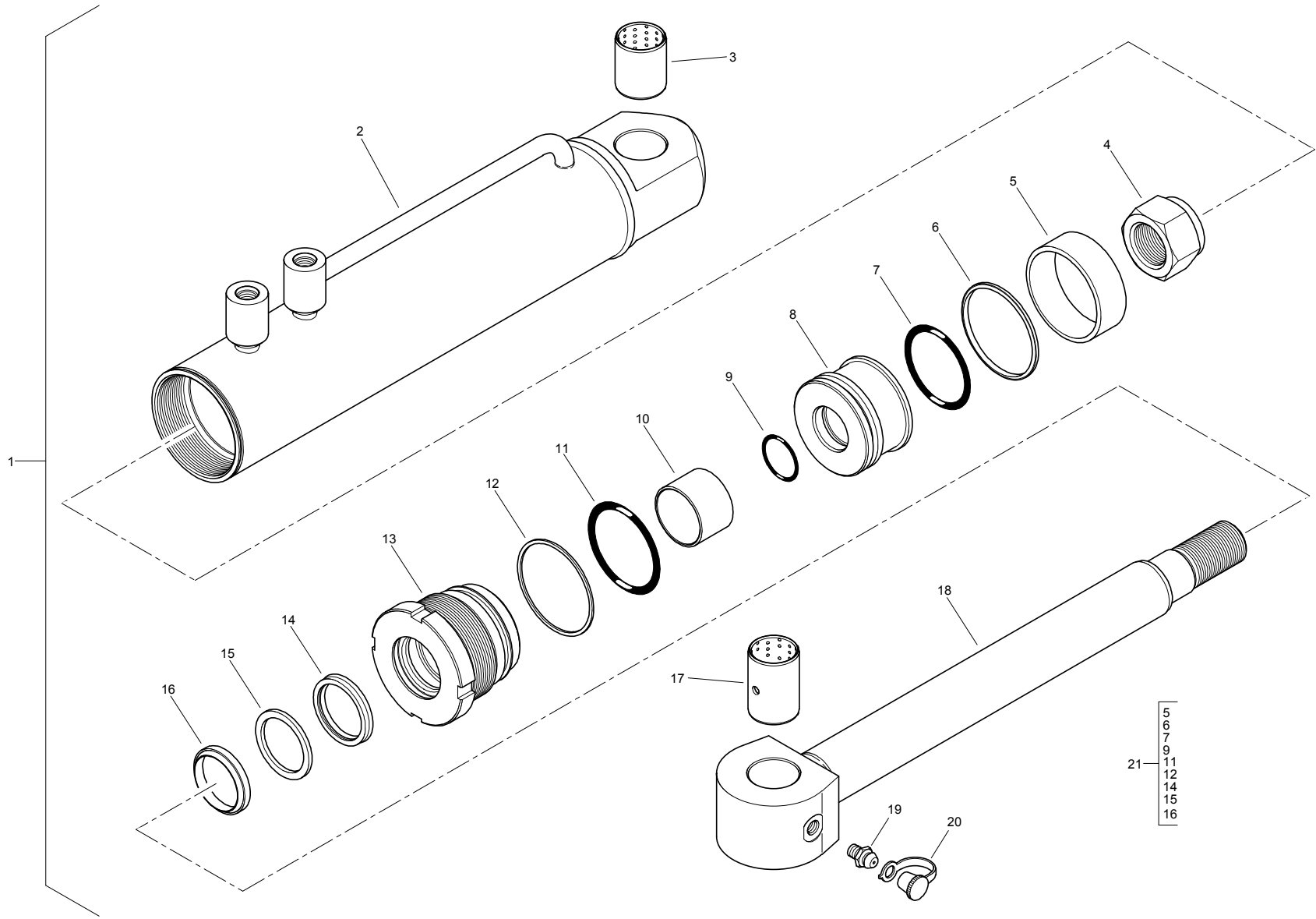
C-66006-02.1-A



Item	Part No.	Qty.	English	French	German	Spanish	Remarks
1	831452M1	1	O Ring (Pack Of 10)	Joint Torique	O Ring	Junta De Tipo O	
2	#UNION	1	Union	Union	Union	Union	
3	835091M91	4	Connector 9/16 Unf	Borne	Doppelnippel	Unión	
4	6106213M91	2	Hose-Mp Loader Bucket	Flexible Ass.	Schlauch Kplt	Flexible, Conj.	
5	218-1236	2	Connector, "T" - Special	Raccord En T	T-Stück	Te	
6	356614X1	2	Nut, Large, Hex. - Jamb, 1/2" Unf	Ecrou	Mutter	Tuerca De Retención	
7	339761X1	3	Bolt M8-25 Z5f	Goupille	Bolzen M8 X 25	Tornillo	
8	3522094M2	3	Clamp - Tube	Bride De Fixation	Befestigungshalter	Brida De Fijación	
9	6106212M91	2	Hose-Mp Loader Bucket	Flexible Ass.	Schlauch Kplt	Flexible, Conj.	
10	6106214M91	2	Hose-Mp Loader Bucket	Flexible Ass.	Schlauch Kplt	Flexible, Conj.	



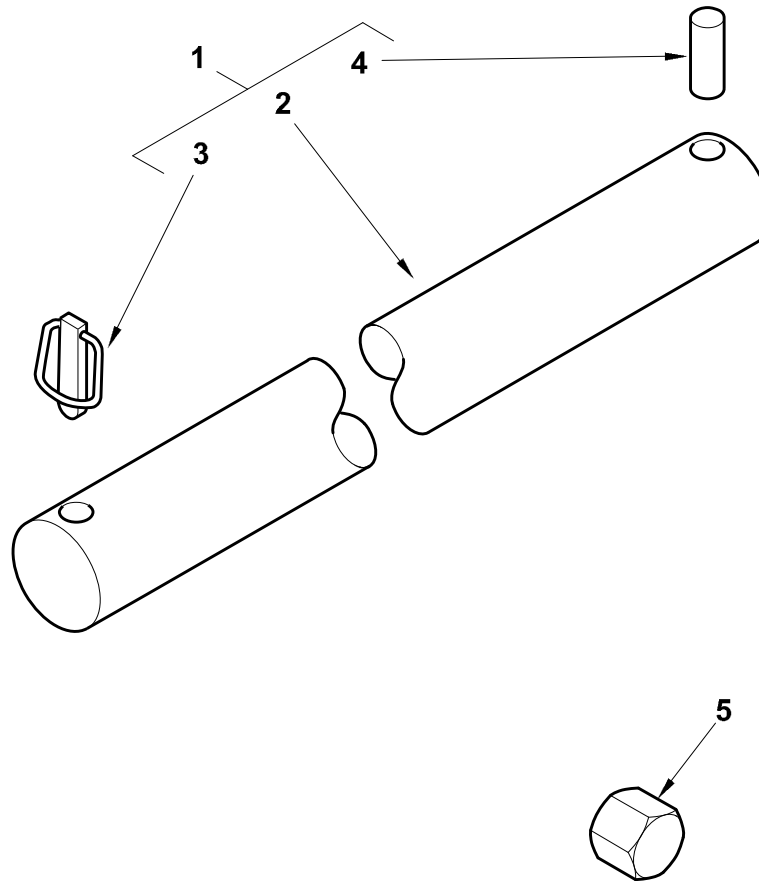
C-66006-03.2-A



Item	Part No.	Qty.	English	French	German	Spanish	Remarks
1	6111075M91	1	Cylinder 4 In 1 Bucket	Cylinder 4 In 1 Bucket	Cylinder 4 In 1 Bucket	Cylinder 4 In 1 Bucket	
2	6195221M91GY03	1	Tube - S/A (Terex Grey)	Tube - S/A (Terex Grey)	Tube - S/A (Terex Grey)	Tube - S/A (Terex Grey)	
3	6195225M1	1	Bush	Bush	Bush	Bush	
4	6194600M1	1	Nut - Nyloc	Ecrou Blocage	Flachmutter	Tuerca	
5	6194606M1	1	Bearing - Piston	Coussinet	Lager	Teniendo - Pistón	
6	6194604M1	1	Seal - Piston	Joint Étanchéité	Dichtring	Junta	
7	6195227M1	1	O - Ring	O - Ring	O - Ring	O - Ring	
8	6194598M1	1	Piston	Piston	Kolben	Pistón	
9	6195228M1	1	O - Ring	O - Ring	O - Ring	O - Ring	
10	6195226M1	1	Bush - Bimetal	Bush - Bimetal	Bush - Bimetal	Bush - Bimetal	
11	6195229M1	1	O - Ring	O - Ring	O - Ring	O - Ring	
12	6194613M1	1	Ring - Back Up	Contre Bague	Stutzring	ContraJunta	
13	6195223M1	1	Cover - Head End	Cover - Head End	Cover - Head End	Cover - Head End	
14	6195216M1	1	Seal - Rod	Seal - Rod	Seal - Rod	Seal - Rod	
15	6195217M1	1	Ring - Back Up	Ring - Back Up	Ring - Back Up	Ring - Back Up	
16	6195218M1	1	Wiper	Wiper	Wiper	Wiper	
17	6195224M1	1	Bush	Bush	Bush	Bush	
18	6195222M91	1	Rod - S/A	Rod - S/A	Rod - S/A	Rod - S/A	
19	MP1056	1	Grease Nipple	Nipple De Graissage	Schmiernippel	Engrasador	
20	3516180M2	1	Cap Grease Nipple	Cache	Abdeckung	Tapa	
21	6195230M91	1	Seal Kit	Seal Kit	Seal Kit	Seal Kit	



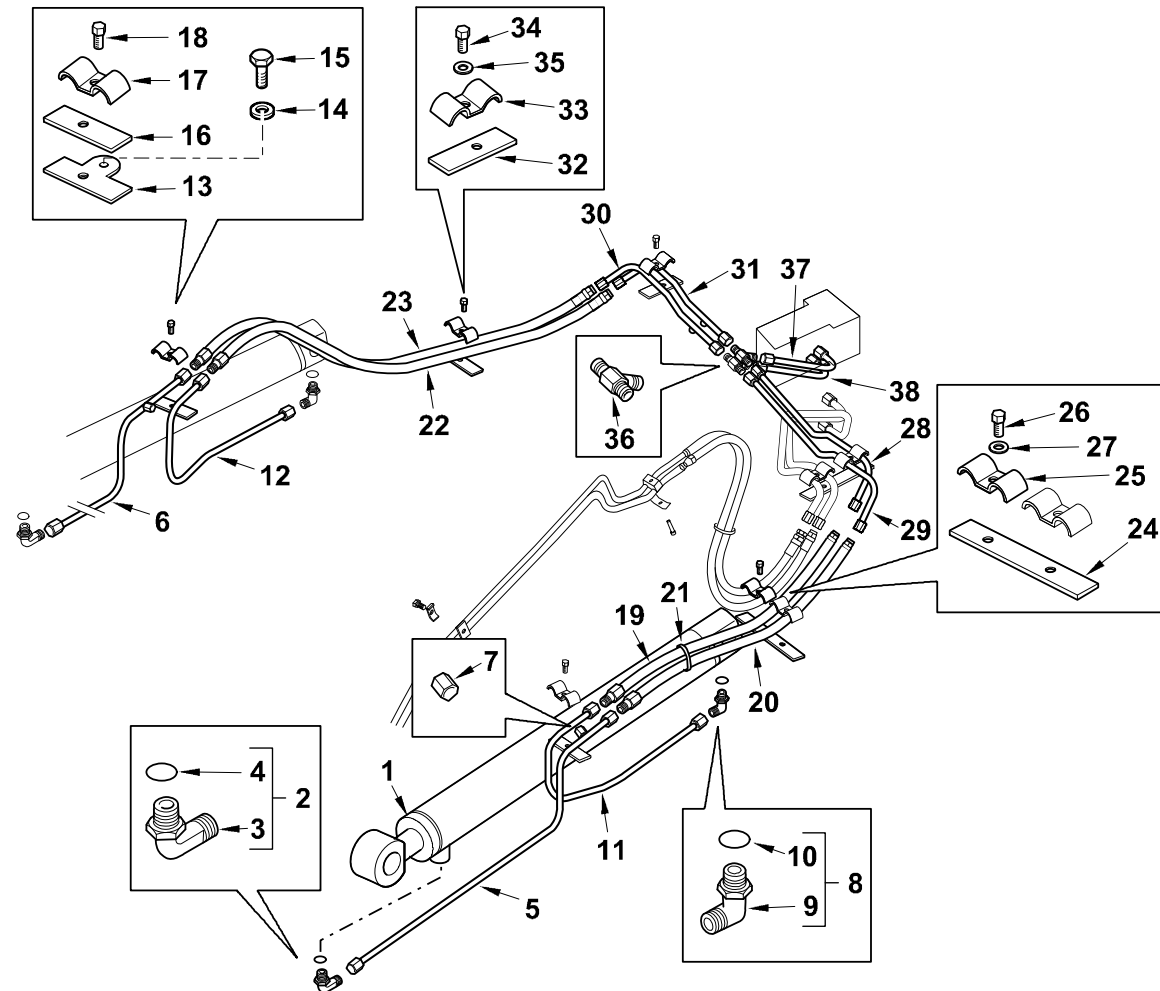
C-66007-01.1-B



Item	Part No.	Qty.	English	French	German	Spanish	Remarks
1	3518087M91	1	Bar Locking Assy	Barre	Stab	Barra	
2	3518086M1	1	Bar Locking	Barre	Stab	Barra	
3	3516522M91	1	Pin Safety Linch	Goupille D´Arrêt	Klappstecker	Pasador De Parada	
4	3019327X1	1	Pin Spirol M12-60	Axe	Bolzen	Pasador	
5	22833X	2	Cap Tube	Capuchon	Wetterkappe	Obturador	



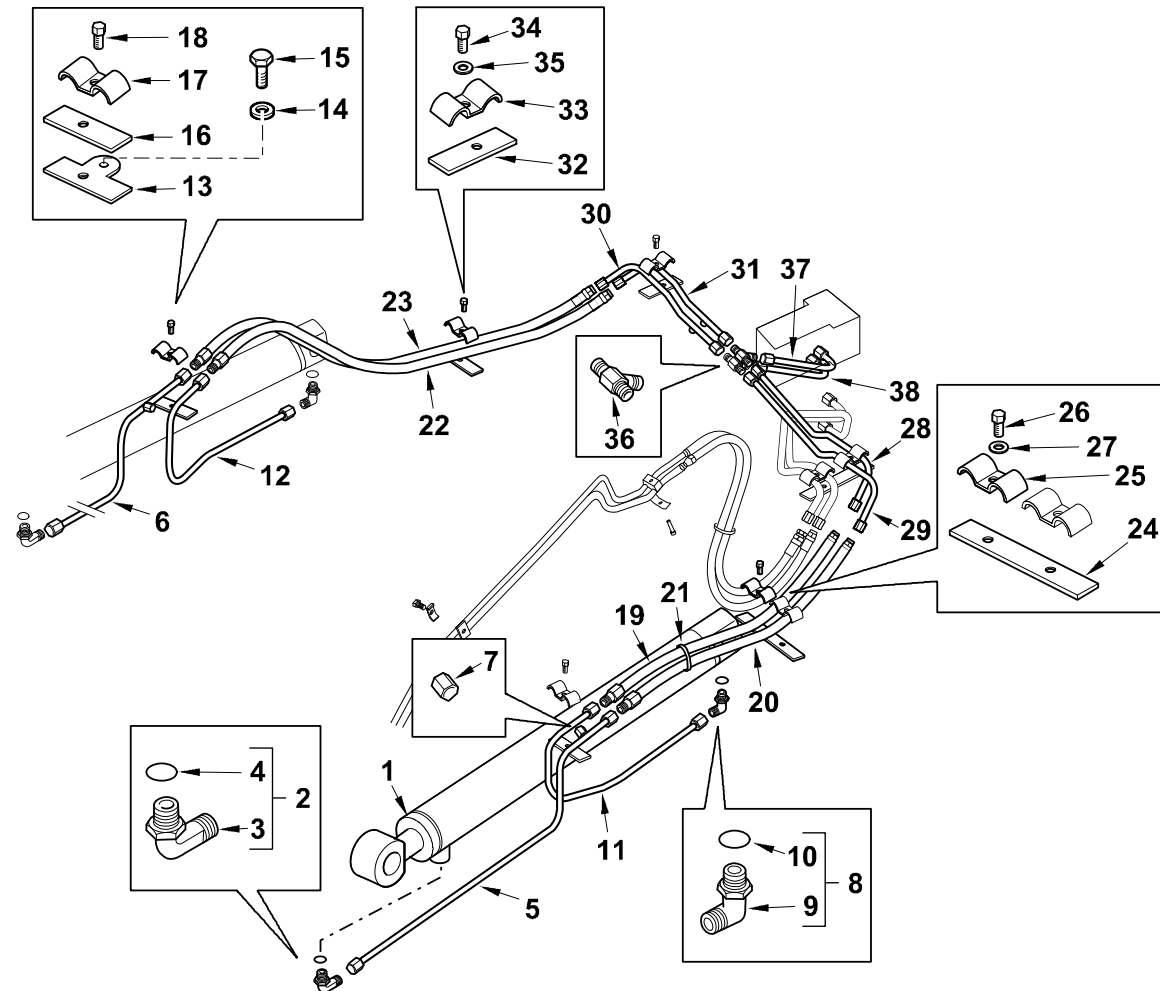
C-67002-01.1-B



Item	Part No.	Qty.	English	French	German	Spanish	Remarks
1	6111077M91GY03	2	Cylinder Lift High Spec	Verin Hydraulique	Hydraulikzyl	Cilindro Hidrauli	Wipro
1	6109553M91	2	Cylinder - Lift High Spec	L' Hie Hydraulique	Zylinder Hydr.	Gato, Conj.	Pacoma
2	835007M91	2	Elbow 90 Degree Adjust	Coude 90°	Kniestück 90°	Codo, 90°	
3	#ELBOW	1	Elbow	Elbow	Elbow	Elbow	Ref. 2
4	835024M1	1	Ring O - Boa	Joint Torique	O Ring	Junta De Tipo O	
5	6109544M91	1	Tube-Ldr Hyd	Tuyauterie	Rohrleitung Kplt	Conjunto De Tubería	Pacoma
5	6111167M91	1	Tube Assembly - Loader	Tuyauterie	Rohrleitung Kplt	Conjunto De Tubería	Wipro
6	6109548M91	1	Tube-Ldr Hyd	Tuyauterie	Rohrleitung Kplt	Conjunto De Tubería	Pacoma
6	6111169M91	1	Tube Assembly - Loader	Tuyauterie	Rohrleitung Kplt	Conjunto De Tubería	Wipro
7	356579X1	2	Cap Tube 9/16	Capuchon	Wetterkappe	Sombbrero	
8	835007M91	2	Elbow 90 Degree Adjust	Coude 90°	Kniestück 90°	Codo, 90°	
9	#ELBOW	1	Elbow	Elbow	Elbow	Elbow	Ref. 8
10	835024M1	1	Ring O - Boa	Joint Torique	O Ring	Junta De Tipo O	
11	6111168M91	1	Tube Assembly - Loader	Tuyauterie	Rohrleitung Kplt	Conjunto De Tubería	Wipro
11	6109546M91	1	Tube-Ldr Hyd	Tuyauterie	Rohrleitung Kplt	Conjunto De Tubería	Pacoma
12	6109550M91	1	Tube-Ldr Hyd	Tuyauterie	Rohrleitung Kplt	Conjunto De Tubería	Pacoma
12	6111170M91	1	Tube Assembly - Loader	Tuyauterie	Rohrleitung Kplt	Conjunto De Tubería	Wipro
13	6109791M91	2	Clamp Plate Assy	Ensemble De Plaque	Platte Kpl.	Placa, Conj.	
14	339374X1	2	Washer M8 -21-2 Z	Rondelle Frein - M8	Federring - M8	Arandela De Freno	
15	339123X1	2	Bolt M8-20 Z5f	Boulon M8 X 20	Maschschraube M8	Perno	
16	6106109M1	2	Pad-Neoprene	Tampon	Klotz	Placa, Caucho	
17	6101228M1	2	Clamp-Tube-Assy	Collier De Serrage	Klemme	Brida De Fijación	
18	339123X1	2	Bolt M8-20 Z5f	Boulon M8 X 20	Maschschraube M8	Perno	
19	6109919M91	1	Hose Assy - Lift Cylinder Head	Flexible Ass.	Schlauch Kplt	Flexible, Conj.	
20	6109372M91	1	Hose Assy - Lift Cylinder Rod	Flexible Ass.	Schlauch Kplt	Flexible, Conj.	
21	1876229M1	2	Tie 270mm Lk2a	Attache Câble	Kabelbinder	Enlace De Cable	
22	6109919M91	1	Hose Assy - Lift Cylinder Head	Flexible Ass.	Schlauch Kplt	Flexible, Conj.	
23	6109372M91	1	Hose Assy - Lift Cylinder Rod	Flexible Ass.	Schlauch Kplt	Flexible, Conj.	
24	6101897M1	1	Pad-Rubber	Plaque De Caoutchouc	Gummiplatte	Placa, Caucho	
25	6101228M1	2	Clamp-Tube-Assy	Collier De Serrage	Klemme	Brida De Fijación	



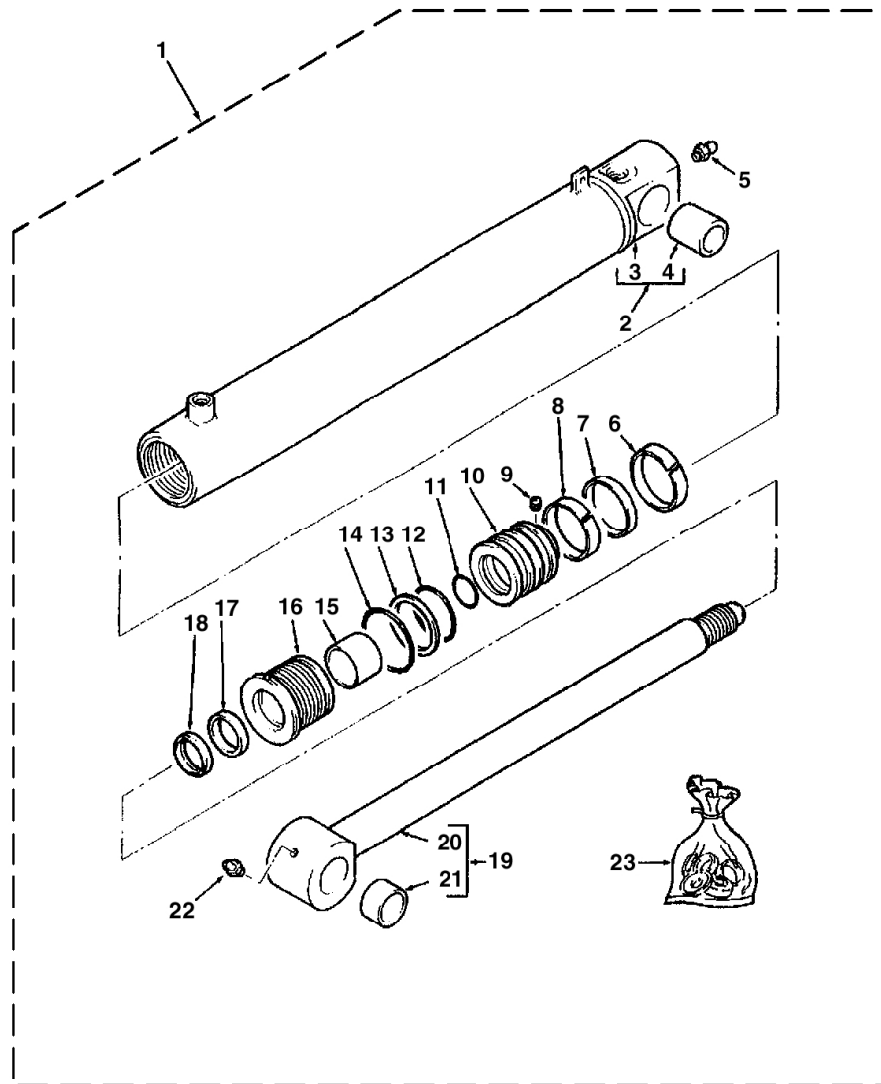
C-67002-01.1-B



Item	Part No.	Qty.	English	French	German	Spanish	Remarks
26	339124X1	2	Bolt M8-16 Z5f	Goupille	Maschschrb Metr - M8	Tornillo	
27	390972X1	2	Washer M8-17-1 Zwl	Rondelle M8	Scheibe - M8	Arandela	
28	6109412M91	1	Tube-Ldr Hyd HD RH	Tuyauterie	Rohrleitung Kplt	Conjunto De Tubería	
29	6109414M91	1	Tube-Ldr Hyd Rod LH	Tuyauterie	Rohrleitung Kplt	Conjunto De Tubería	
30	6109416M91	1	Tube-Ldr Hyd HD RH	Tuyauterie	Rohrleitung Kplt	Conjunto De Tubería	
31	6109418M91	1	Tube-Ldr Hyd Rod LH	Tuyauterie	Rohrleitung Kplt	Conjunto De Tubería	
32	6106109M1	2	Pad-Neoprene	Tampon	Klotz	Placa, Caucho	
33	6101228M1	2	Clamp-Tube-Assy	Collier De Serrage	Klemme	Brida De Fijación	
34	339124X1	2	Bolt M8-16 Z5f	Goupille	Maschschrb Metr - M8	Tornillo	
35	390972X1	2	Washer M8-17-1 Zwl	Rondelle M8	Scheibe - M8	Arandela	
36	356561X1	2	Tee-Union	Te	T-Stück	Te	
37	6109428M91	1	Tube-Ldr Hyd Rod	Tuyauterie	Rohrleitung Kplt	Conjunto De Tubería	
38	6109430M91	1	Tube-Ldr Hyd HD	Tuyauterie	Rohrleitung Kplt	Conjunto De Tubería	

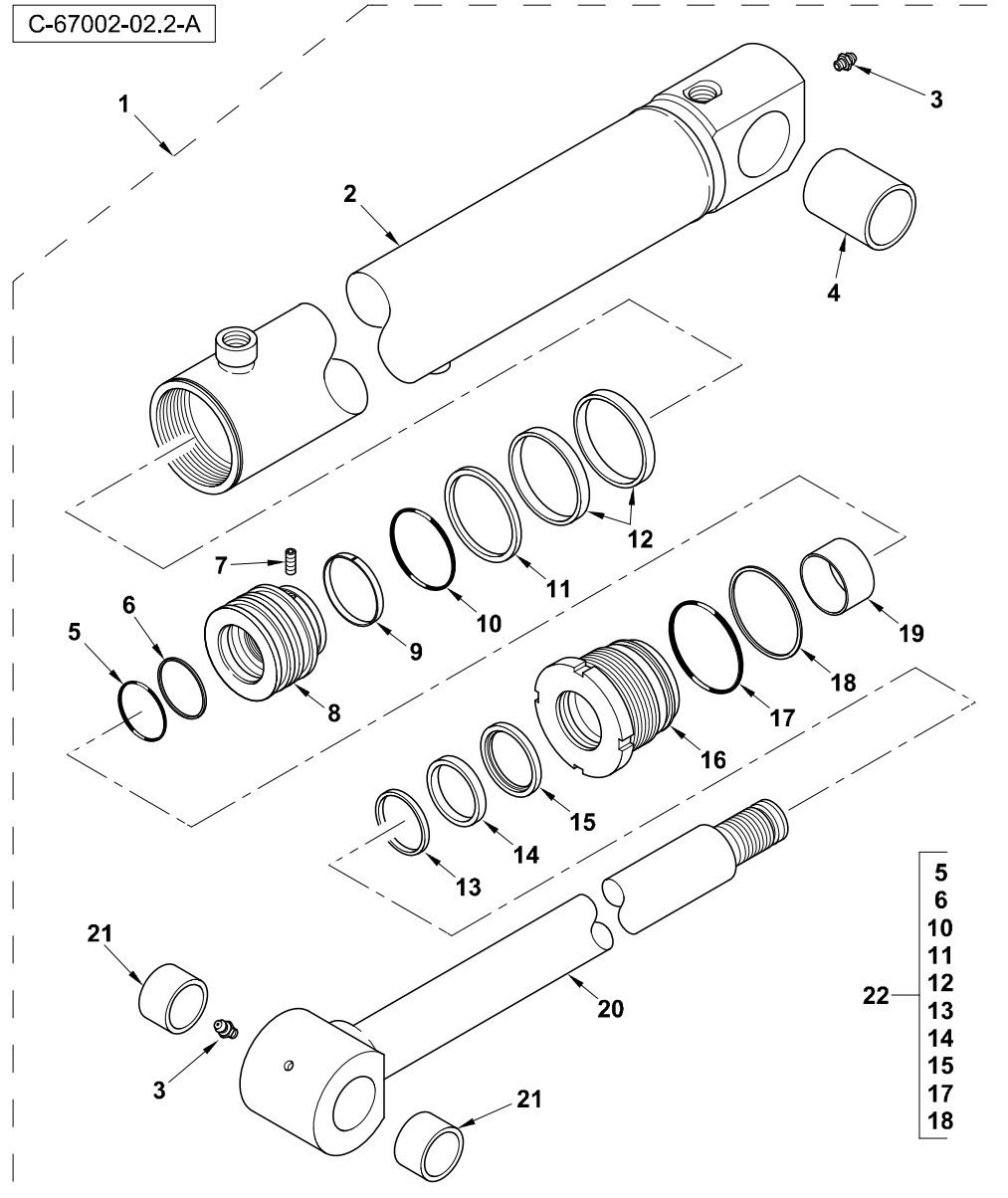


C-67002-02.1-B



Item	Part No.	Qty.	English	French	German	Spanish	Remarks
1	6109553M91	2	Cylinder - Lift High Spec	L'Hie Hydraulique	Zylinder Hydr.	Gato, Conj.	67002c01.1 1
2	#TUBE, CYLINDER	1	Tube, Cylinder	Tube, Cylinder	Tube, Cylinder	Tube, Cylinder	
3	#TUBE, CYLINDER	1	Tube, Cylinder	Tube, Cylinder	Tube, Cylinder	Tube, Cylinder	Ref. 2
4	3623322M1	1	Bush	Douille	Büchse	Anillo	
5	339608X1	1	Grease Nipple - M10 X 1 (Zinc)	Nipple De Graissage	Schmiernippel	Engrasador	
6	3485892M1	1	Guide Ring Piston	Bague D'Étanchéité	Dichtungsring	Anillo, Estanqueidad	
7	3485245M91	1	Seal Assy Piston	Joint Ass.	Dichtung Kplt	Junta, Conj.	
8	3485892M1	1	Guide Ring Piston	Bague D'Étanchéité	Dichtungsring	Anillo, Estanqueidad	
9	3402928M1	1	Screw, Socket Head - Piston Locating	Vis Tête Hex	Zylinderschraube	Tornillo	
10	3487180M1	1	Piston	Piston	Kolben	Pistón De Gato	
11	359183X1	1	O-Ring	Joint Torique	O-Ring	Junta De Tipo O	
12	359193X1	1	O-Ring	Joint Torique	O-Ring	Junta De Tipo O	
13	1606735M1	1	Ring Back-Up	Contre Bague	Stützring	ContraJunta	
14	3623641M1	1	O-Ring	Joint Torique	O-Ring	Junta De Tipo O	
15	3443550M1	1	Ring Rod Guide	Anneau	Ring	Aro	
16	5002159M1	1	Bearing	Roulement	Lager	Palier De Gato	
17	3403067M1	1	Seal	Joint D'Arbre	Wellendichtring	Anillo, Estanqueidad	
18	1606058M1	1	Wiper Ring	Joint De Racleur	Abstreifdichtung	Junta Raspador	
19	3441920M91	1	Piston Rod Assy	Tige De Vérin	Kolbenstange	Vástago Cilindro	
20	#ROD, PISTON	1	Rod, Piston	Rod, Piston	Rod, Piston	Rod, Piston	Ref. 19
21	3623323M1	2	Bush	Douille	Büchse	Anillo	
22	339608X1	1	Grease Nipple - M10 X 1 (Zinc)	Nipple De Graissage	Schmiernippel	Engrasador	
23	5001975M91	1	Kit Seal	Jeu Étanchéité	Dichtringsatz	Juego De Juntas	

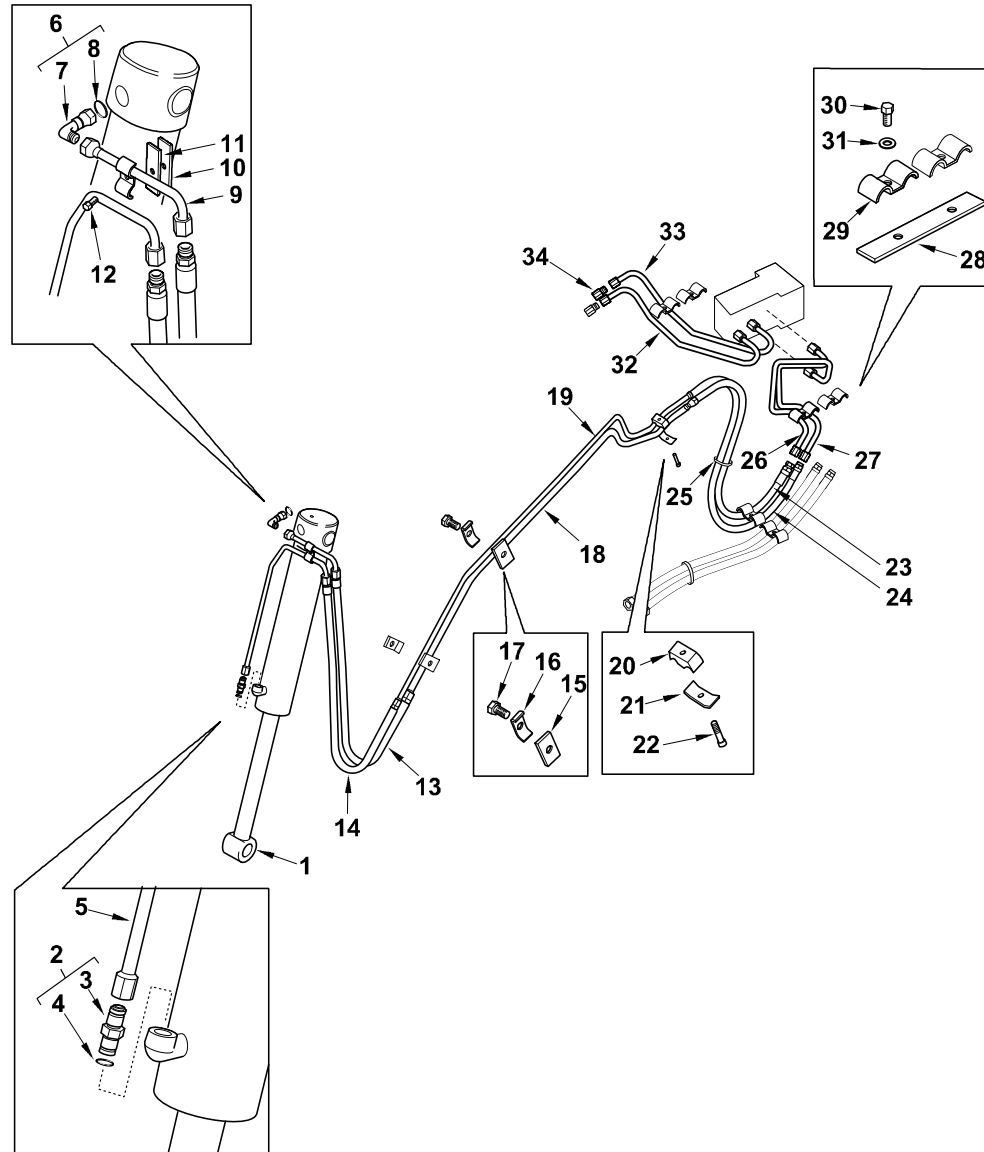




Item	Part No.	Qty.	English	French	German	Spanish	Remarks
1	6111077M91GY03	1	Cylinder Lift High Spec	Verin Hydraulique	Hydraulikzyl	Cilindro Hidraulic	
2	6195241M91GY03	1	Tube - S/A (Terex Grey)	Tube - S/A (Terex Grey)	Tube - S/A (Terex Grey)	Tube - S/A (Terex Grey)	
3	6194542M1	2	Nipple - Grease	Graisser Coude	Nippel	Manguito, Engrasador	
4	6195244M1	1	Bush	Bush	Bush	Bush	
5	6195247M1	1	O - Ring	O - Ring	O - Ring	O - Ring	
6	6194570M1	1	Ring - Back Up	Contre Bague	Stutzring	ContraJunta	
7	6194619M1	1	Set Screw	Vis	Schraube	Tornillo De Ajuste	
8	6195242M1	1	Piston	Piston	Piston	Piston	
9	6195246M1	1	Ring - Snap	Ring - Snap	Ring - Snap	Ring - Snap	
10	6195186M1	1	O-Ring	O-Ring	O-Ring	O-Ring	
11	6194635M1	1	Seal - Piston	Joint Étanchéité	Dichtring	Junta	
12	6194634M1	2	Bearing - Piston	Coussinet	Lager	Teniendo - Pistón	
13	6194590M1	1	Wiper	Essuyeur	Wischer	Raspador, Escobilla	
14	6194589M1	1	Seal - Rod	Joint Étanchéité	Dichtring	Junta	
15	6194588M1	1	Seal - Rod (Primary)	Joint Étanchéité	Dichtring	Junta	
16	6195243M1	1	Cover - H.E.	Cover - H.E.	Cover - H.E.	Cover - H.E.	
17	6195189M1	1	O-Ring	O-Ring	O-Ring	O-Ring	
18	6194641M1	1	Ring - Back Up	Contre Bague	Stutzring	ContraJunta	
19	6194593M1	1	Bush - Bimetal	Douille	Büchse	Juego De Anillos	
20	6194537M91	1	Rod - Piston	Bielle De Piston	Pleuelstange	Rod - Pistón	
21	6195245M1	2	Bush	Bush	Bush	Bush	
22	6195248M91	1	Seal Kit	Seal Kit	Seal Kit	Seal Kit	



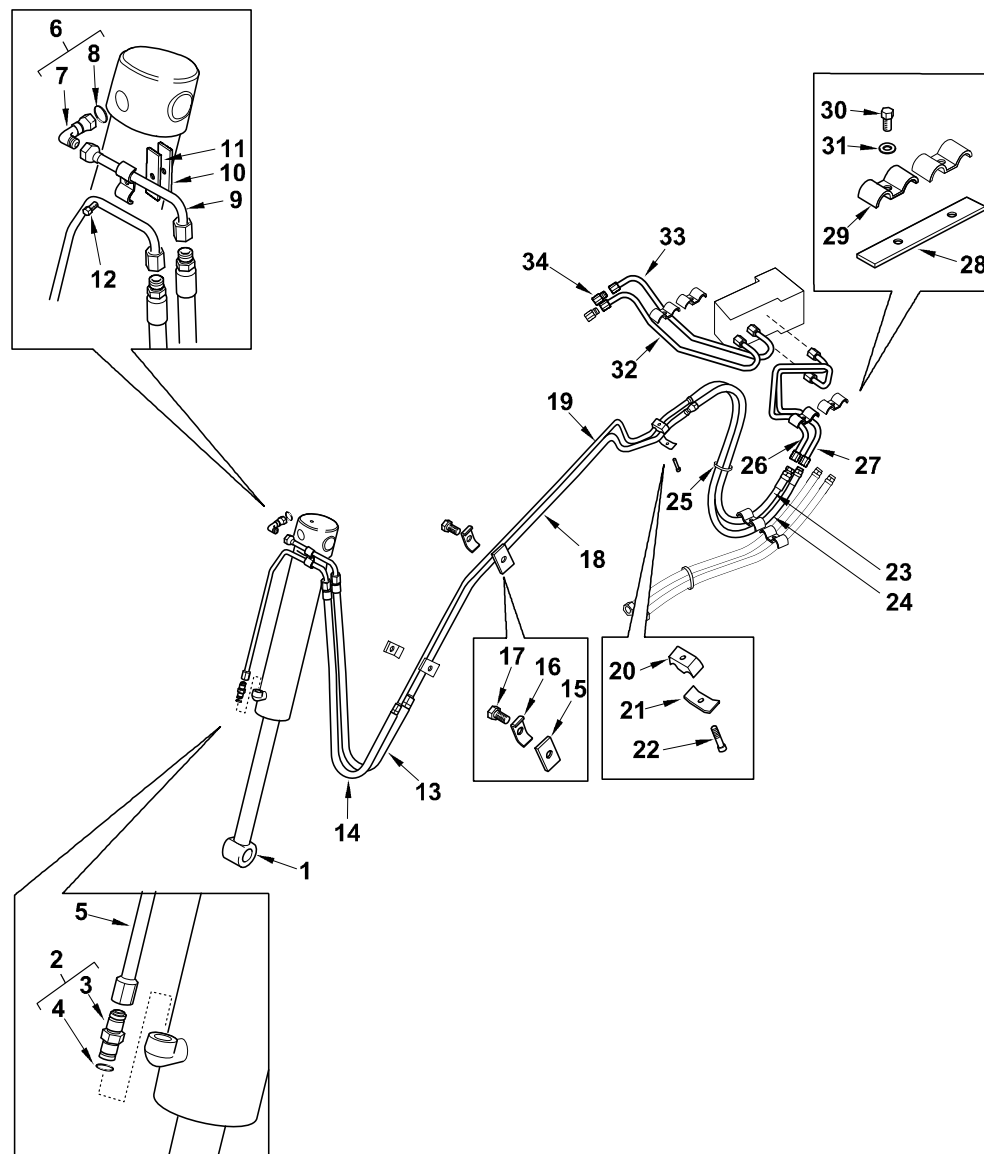
C-67002-03.1-C



Item	Part No.	Qty.	English	French	German	Spanish	Remarks
1	6111076M91GY03	1	Cylinder Loader Bucket High Spec	Cylindre	Zylinder	Cilindro	Wipro
1	5000120M91	1	Cylinder Loader Bucket - Hi Spec	L´Hie Hydraulique	Zylinder Hydr.	Gato, Conj.	Pacoma
2	835013M91	1	Connector 7/8 Jic	Raccord	Schraubanschluss	Conexión, Conj.	
3	#UNION	1	Union	Union	Union	Union	Ref. 2
4	835024M1	1	Ring O - Boa	Joint Torique	O Ring	Junta De Tipo O	
5	6109514M91	1	Tube-Ldr Hyd Bucket Rod	Tuyauterie	Rohrleitung Kplt	Conjunto De Tubería	
6	835007M91	1	Elbow 90 Degree Adjust	Coude 90°	Kniestück 90°	Codo, 90°	
7	#ELBOW	1	Elbow	Elbow	Elbow	Elbow	Ref. 6
8	835024M1	1	Ring O - Boa	Joint Torique	O Ring	Junta De Tipo O	
9	6109536M91	1	Tube Assy - Bucket Head	Tuyauterie	Rohrleitung Kplt	Conjunto De Tubería	
10	6109526M91	1	Clamp Plate Assy	Ensemble De Plaque	Platte Kpl.	Placa, Conj.	
11	6106109M1	1	Pad-Neoprene	Tampon	Klotz	Placa, Caucho	
12	339761X1	1	Bolt M8-25 Z5f	Goupille	Bolzen M8 X 25	Tornillo	
13	6109530M91	1	Hose Assy - Bucket Cyl Head	Flexible Ass.	Schlauch Kplt	Flexible, Conj.	
14	6109529M91	1	Hose Assy - Bucket Cyl Rod	Flexible Ass.	Schlauch Kplt	Flexible, Conj.	
15	6106109M1	2	Pad-Neoprene	Tampon	Klotz	Placa, Caucho	
16	6101228M1	2	Clamp-Tube-Assy	Collier De Serrage	Klemme	Brida De Fijación	
17	339123X1	2	Bolt M8-20 Z5f	Boulon M8 X 20	Maschschraube M8	Perno	
18	6102461M91	1	Tube Assy	Tuyauterie	Rohrleitung Kplt	Conjunto De Tubería	
19	6102463M91	1	Tube Assy	Tuyauterie	Rohrleitung Kplt	Conjunto De Tubería	
20	3520528M2	1	Clamp Block Ldr Beam	Collier De Serrage	Klemme	Argolla De Cierre	
21	3520534M1	1	Clamp (Zinc Plated)	Collier De Serrage	Klemme	Brida De Fijación	
22	339291X1	1	Bolt M8-55 Z5s	Goupille	Bolzen M8 X 55	Tornillo	
23	6109793M91	1	Hose Assy - Bucket Cyl Rod	Flexible Ass.	Schlauch Kplt	Flexible, Conj.	
24	6109543M91	1	Hose Assy - Bkt Cylinder Head	Flexible Ass.	Schlauch Kplt	Flexible, Conj.	
25	1876229M1	1	Tie 270mm Lk2a	Attache Câble	Kabelbinder	Enlace De Cable	
26	6109420M91	1	Tube-Ldr Hyd Bucket Rod	Tuyauterie	Rohrleitung Kplt	Conjunto De Tubería	
27	6109422M91	1	Tube-Ldr Hyd Bucket HD	Tuyauterie	Rohrleitung Kplt	Conjunto De Tubería	
28	6101897M1	2	Pad-Rubber	Plaque De Caoutchouc	Gummiplatte	Placa, Caucho	
29	6101228M1	3	Clamp-Tube-Assy	Collier De Serrage	Klemme	Brida De Fijación	

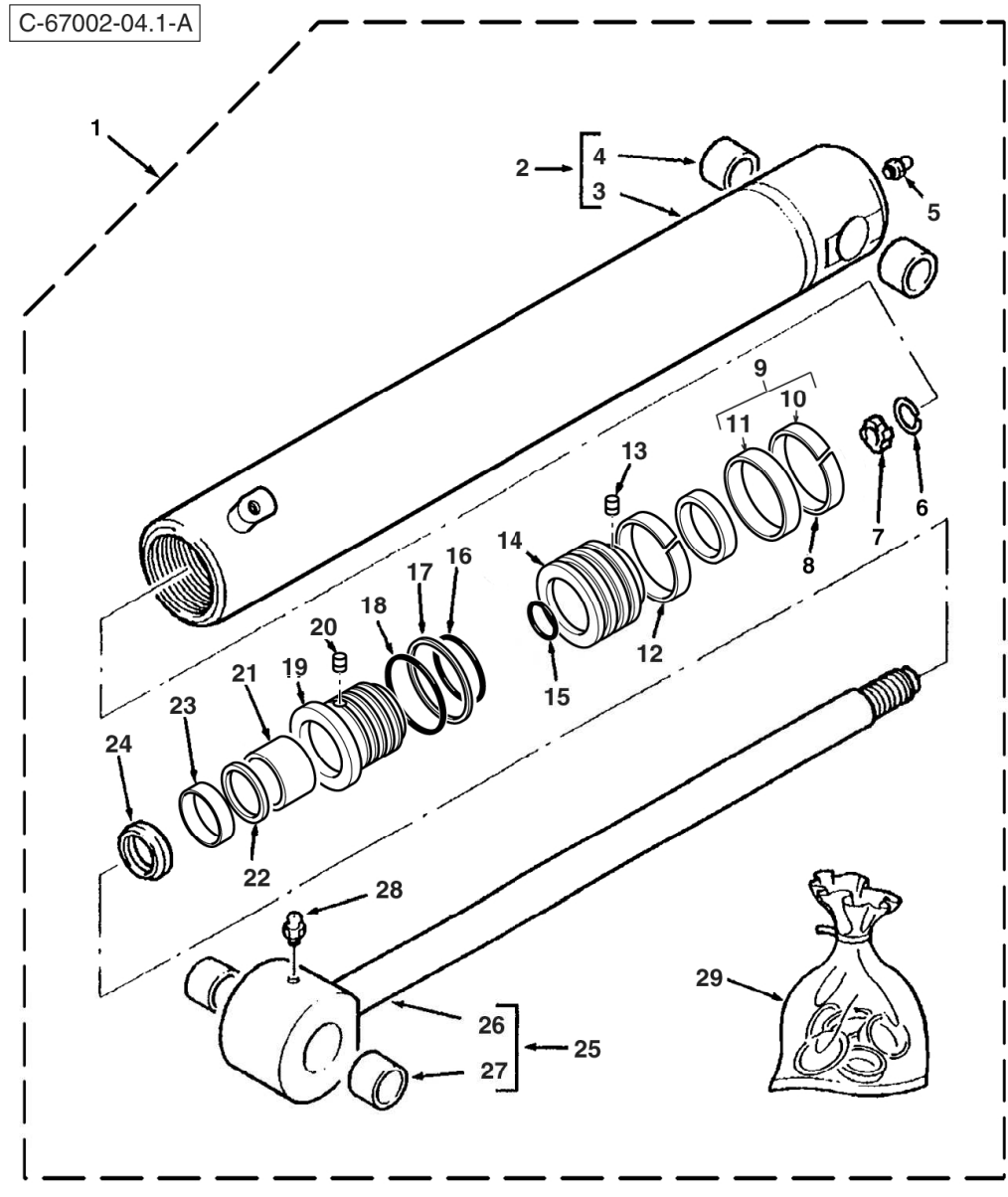


C-67002-03.1-C



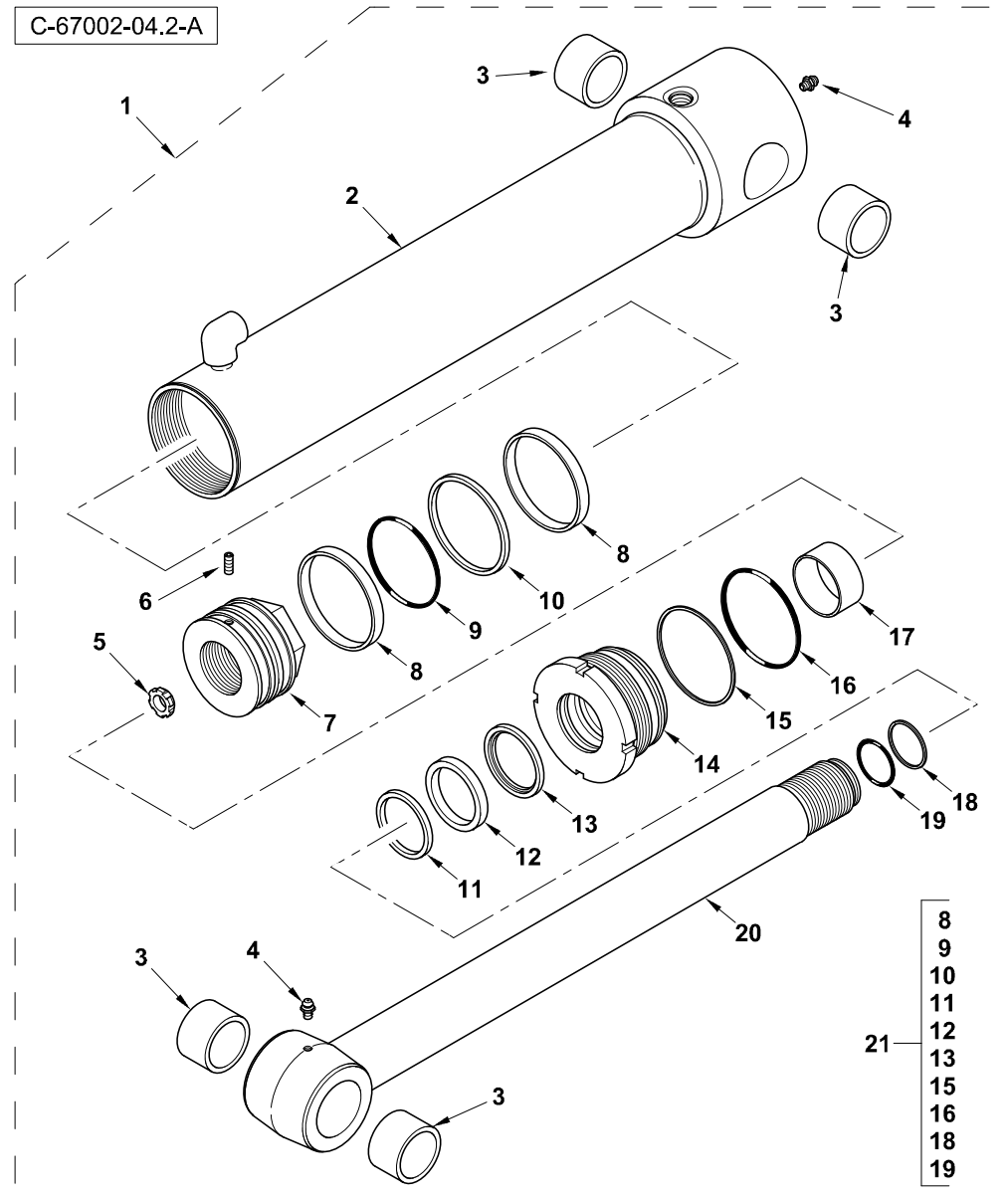
Item	Part No.	Qty.	English	French	German	Spanish	Remarks
30	339124X1	3	Bolt M8-16 Z5f	Goupille	Maschschr Metr - M8	Tornillo	
31	390972X1	3	Washer M8-17-1 Zwl	Rondelle M8	Scheibe - M8	Arandela	
32	6109424M93	1	Tube Assembly - Loader Hyd 7 In 1 HD	Ensemble Tube	Rohr Kpl	Conjunto De Tubería	H200 7 2060
32	6111904M91	1	Tube Assembly 7 In 1 HD	Ensemble Tube	Rohr Kpl	Conjunto De Tubería	H200 7 2060
33	6111903M91	1	Tube Assembly 7 In 1 Rod	Ensemble Tube	Rohr Kpl	Conjunto De Tubería	H200 7 2060
33	6109426M92	1	Tube Assy (7 In 1 Rod)	Tuyauterie	Rohr Kpl	Conjunto De Tubería	H200 7 2060
34	356447X1	2	Plug 37 Flare	Bouchon	Stopfen	Obturador	





Item	Part No.	Qty.	English	French	German	Spanish	Remarks
1	5000120M91	1	Cylinder Loader Bucket - Hi Spec	L´Hie Hydraulique	Zylinder Hydr.	Gato, Conj.	67002c03.1 1
2	5003936M91	1	Barrel Cylinder	Ensemble De Vérin	Zylinder Kpl.	Gato, Conj.	
3	#TUBE, CYLINDER	1	Tube, Cylinder	Tube, Cylinder	Tube, Cylinder	Tube, Cylinder	Ref. 3
4	3623390M1	2	Bush	Douille	Buechse	Casquillo	
5	339608X1	1	Grease Nipple - M10 X 1 (Zinc)	Nipple De Graissage	Schmiernippel	Engrasador	
6	3186587M1	1	Snap Ring	Anneau D´Arrêt	Sprengring	Anillo De Resorte	
7	3186586M1	1	Ring Cushioning	Anneau	Ring	Aro	
8	3442376M1	1	Ring Piston Guide	Anneau	Ring	Aro	
9	3485249M91	1	Seal Piston	Joint	Dichtung	Junta	
10	#SEAL	1	Seal	Joint Étanchéité	Dichtring	Retén	Ref. 9
11	#SEAL	1	Seal	Joint Étanchéité	Dichtring	Retén	Ref. 9
12	3442376M1	1	Ring Piston Guide	Anneau	Ring	Aro	
13	3402928M1	1	Screw, Socket Head - Piston Locating	Vis Tête Hex	Zylinderschraube	Tornillo	
14	3485147M1	1	Piston	Piston	Kolben	Pistón	
15	359186X1	1	O-Ring	Joint Torique	O-Ring	Junta De Tipo O	
16	359201X1	1	O Ring	Joint Torique	O Ring	Junta De Tipo O	
17	1024334M1	1	Ring, Back-Up	Contre Bague	Stuetzring	Aro	
18	3487909M1	1	O-Ring	Joint Torique	O-Ring	Junta De Tipo O	
19	5003941M1	1	Bearing	Roulement	Lager	Cojinete	
20	3443386M1	1	Retaining Plug	Bouchon	Stopfen	Tapón	
21	3484615M1	1	Guide Ring	Anneau	Ring	Aro	
22	3484055M1	1	Ring Buffer	Anneau	Ring	Aro	
23	3485185M1	1	Seal	Joint D´Arbre	Wellendichtring	Junta	
24	3487015M1	1	Wiper Ring	Anneau	Ring	Aro	
25	3441631M91	1	Piston Rod Assy	Tige De Vérin	Kolbenstange	Vástago Cilindro	
26	#ROD, PISTON	1	Rod, Piston	Rod, Piston	Rod, Piston	Rod, Piston	Ref. 23
27	3623390M1	2	Bush	Douille	Buechse	Casquillo	
28	339608X1	1	Grease Nipple - M10 X 1 (Zinc)	Nipple De Graissage	Schmiernippel	Engrasador	
29	3623397M91	1	Kit Seal	Jeu Étanchéité	Dichtringsatz	Juego De Piezas	

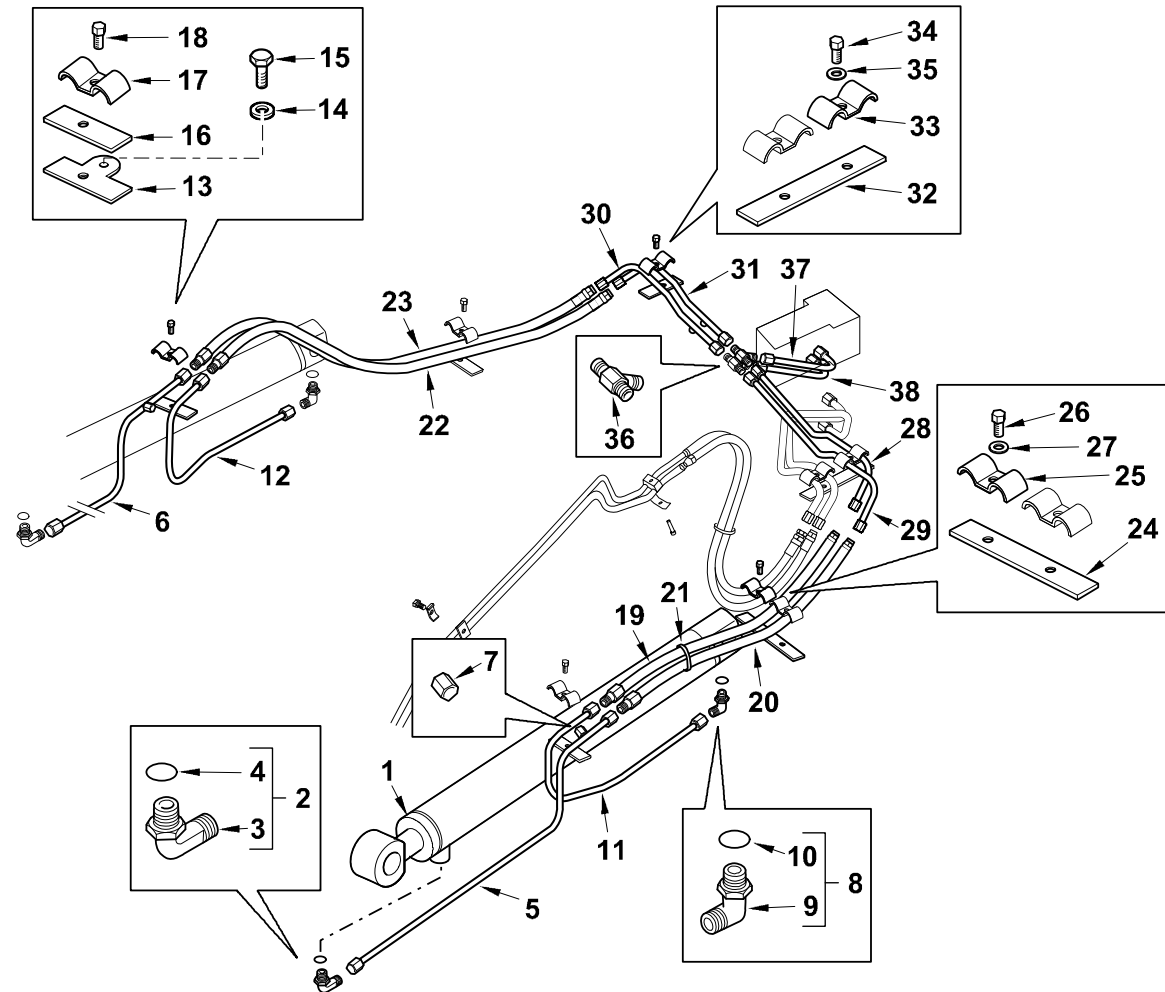




Item	Part No.	Qty.	English	French	German	Spanish	Remarks
1	6111076M91GY03	1	Cylinder Loader Bucket High Spec	Cylindre	Zylinder	Cilindro	
2	6195231M91GY03	1	Tube - S/A (Terex Grey)	Tube - S/A (Terex Grey)	Tube - S/A (Terex Grey)	Tube - S/A (Terex Grey)	
3	6195234M1	4	Bush	Bush	Bush	Bush	
4	6194542M1	2	Nipple - Grease	Graisseur Coude	Nippel	Manguito, Engrasador	
5	6195235M1	1	Ring - Cushion	Ring - Cushion	Ring - Cushion	Ring - Cushion	
6	6195236M1	1	Set Screw - Hex Socket	Set Screw - Hex Socket	Set Screw - Hex Socket	Set Screw - Hex Socket	
7	6195232M1	1	Piston	Piston	Piston	Piston	
8	6194568M1	2	Bearing - Piston	Coussinet	Lager	Teniendo - Pistón	
9	6194567M1	1	O Ring (Std)	Joint Torique	O Ring	Junta De Tipo O	
10	6194566M1	1	Seal - Piston	Joint Étanchéité	Dichtring	Junta	
11	6194554M1	1	Wiper	Essuyeur	Wischer	Raspador, Escobilla	
12	6194551M1	1	Seal- Rod (Secondary)	Joint Étanchéité	Dichtring	Junta	
13	6194638M1	1	Seal - Rod (Primary)	Joint Étanchéité	Dichtring	Junta	
14	6195233M1	1	Cover - H.E.	Cover - H.E.	Cover - H.E.	Cover - H.E.	
15	6195238M1	1	Ring - Back Up	Ring - Back Up	Ring - Back Up	Ring - Back Up	
16	6195237M1	1	O - Ring	O - Ring	O - Ring	O - Ring	
17	6194541M1	1	Bush - Bimetal	Douille	Büchse	Juego De Anillos	
18	6194549M1	1	Ring - Back Up	Contre Bague	Stutzring	ContraJunta	
19	6195193M1	1	O-Ring	O-Ring	O-Ring	O-Ring	
20	6194537M91	1	Rod - Piston	Bielle De Piston	Pleuelstange	Rod - Pistón	
21	6195239M91	1	Seal Kit	Jeu Etancheite	Dichtringsatz	Juego Retenes	



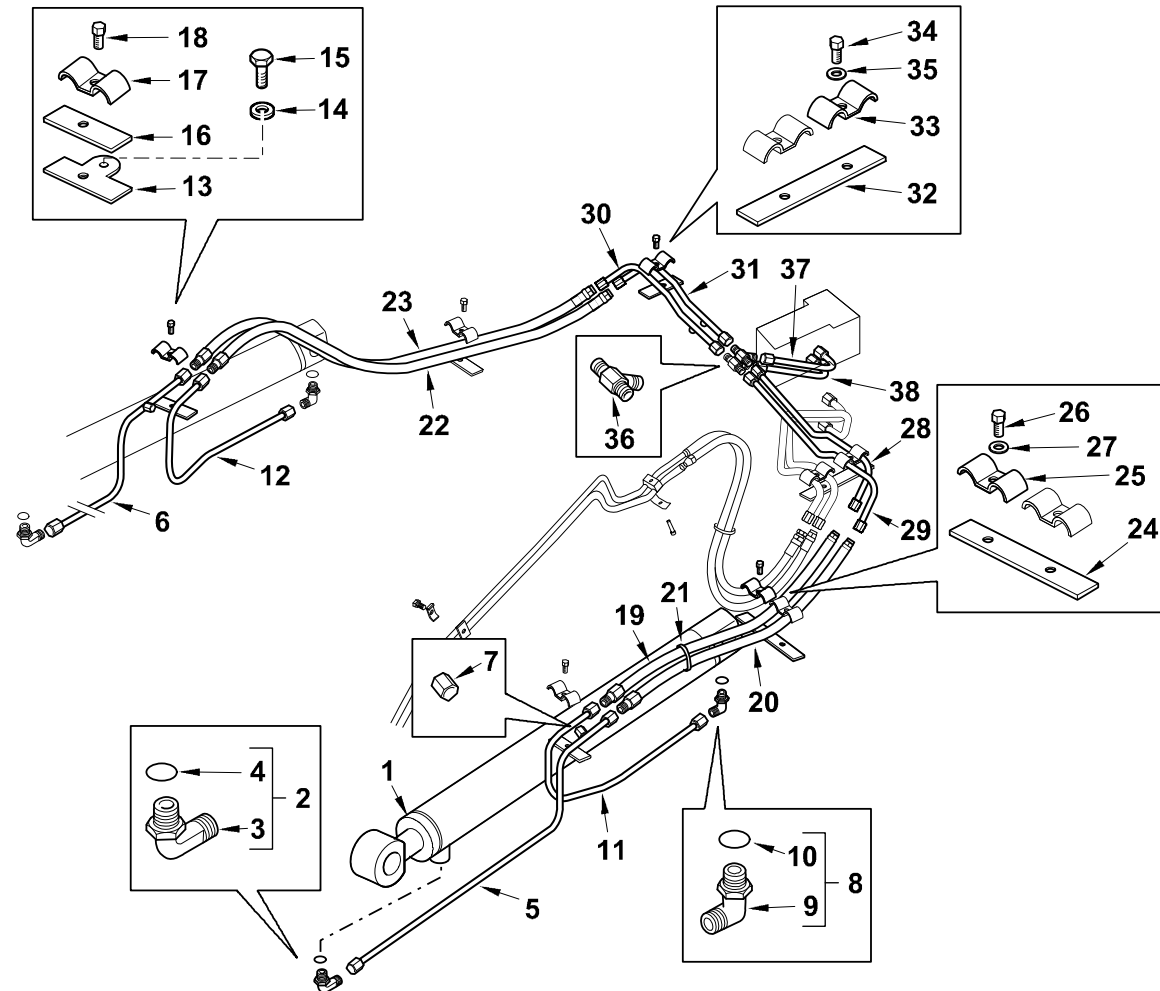
C-67004-01.1-B



Item	Part No.	Qty.	English	French	German	Spanish	Remarks
1	6109553M91	2	Cylinder - Lift High Spec	L'Hie Hydraulique	Zylinder Hydr.	Gato, Conj.	Pacoma
1	6111077M91GY03	2	Cylinder Lift High Spec	Verin Hydraulique	Hydraulikzyl	Cilindro Hidrauli	Wipro
2	835007M91	2	Elbow 90 Degree Adjust	Coude 90°	Kniestück 90°	Codo, 90°	
3	#ELBOW	1	Elbow	Elbow	Elbow	Elbow	Ref. 2
4	835024M1	1	Ring O - Boa	Joint Torique	O Ring	Junta De Tipo O	
5	6111167M91	1	Tube Assembly - Loader	Tuyauterie	Rohrleitung Kplt	Conjunto De Tubería	Wipro
5	6109544M91	1	Tube-Ldr Hyd	Tuyauterie	Rohrleitung Kplt	Conjunto De Tubería	Pacoma
6	6111169M91	1	Tube Assembly - Loader	Tuyauterie	Rohrleitung Kplt	Conjunto De Tubería	Wipro
6	6109548M91	1	Tube-Ldr Hyd	Tuyauterie	Rohrleitung Kplt	Conjunto De Tubería	Pacoma
7	356579X1	2	Cap Tube 9/16	Capuchon	Wetterkappe	Sombbrero	
8	835007M91	2	Elbow 90 Degree Adjust	Coude 90°	Kniestück 90°	Codo, 90°	
9	#ELBOW	1	Elbow	Elbow	Elbow	Elbow	Ref. 8
10	835024M1	1	Ring O - Boa	Joint Torique	O Ring	Junta De Tipo O	
11	6111168M91	1	Tube Assembly - Loader	Tuyauterie	Rohrleitung Kplt	Conjunto De Tubería	Wipro
11	6109546M91	1	Tube-Ldr Hyd	Tuyauterie	Rohrleitung Kplt	Conjunto De Tubería	Pacoma
12	6111170M91	1	Tube Assembly - Loader	Tuyauterie	Rohrleitung Kplt	Conjunto De Tubería	Wipro
12	6109550M91	1	Tube-Ldr Hyd	Tuyauterie	Rohrleitung Kplt	Conjunto De Tubería	Pacoma
13	6109791M91	2	Clamp Plate Assy	Ensemble De Plaque	Platte Kpl.	Placa, Conj.	
14	339374X1	2	Washer M8 -21-2 Z	Rondelle Frein - M8	Federring - M8	Arandela De Freno	
15	339123X1	2	Bolt M8-20 Z5f	Boulon M8 X 20	Maschschraube M8	Perno	
16	6106109M1	2	Pad-Neoprene	Tampon	Klotz	Placa, Caucho	
17	6101228M1	2	Clamp-Tube-Assy	Collier De Serrage	Klemme	Brida De Fijación	
18	339123X1	2	Bolt M8-20 Z5f	Boulon M8 X 20	Maschschraube M8	Perno	
19	6109919M91	1	Hose Assy - Lift Cylinder Head	Flexible Ass.	Schlauch Kplt	Flexible, Conj.	
20	6109372M91	1	Hose Assy - Lift Cylinder Rod	Flexible Ass.	Schlauch Kplt	Flexible, Conj.	
21	1876229M1	2	Tie 270mm Lk2a	Attache Câble	Kabelbinder	Enlace De Cable	
22	6109919M91	1	Hose Assy - Lift Cylinder Head	Flexible Ass.	Schlauch Kplt	Flexible, Conj.	
23	6109372M91	1	Hose Assy - Lift Cylinder Rod	Flexible Ass.	Schlauch Kplt	Flexible, Conj.	
24	6101897M1	1	Pad-Rubber	Plaque De Caoutchouc	Gummiplatte	Placa, Caucho	
25	6101228M1	2	Clamp-Tube-Assy	Collier De Serrage	Klemme	Brida De Fijación	



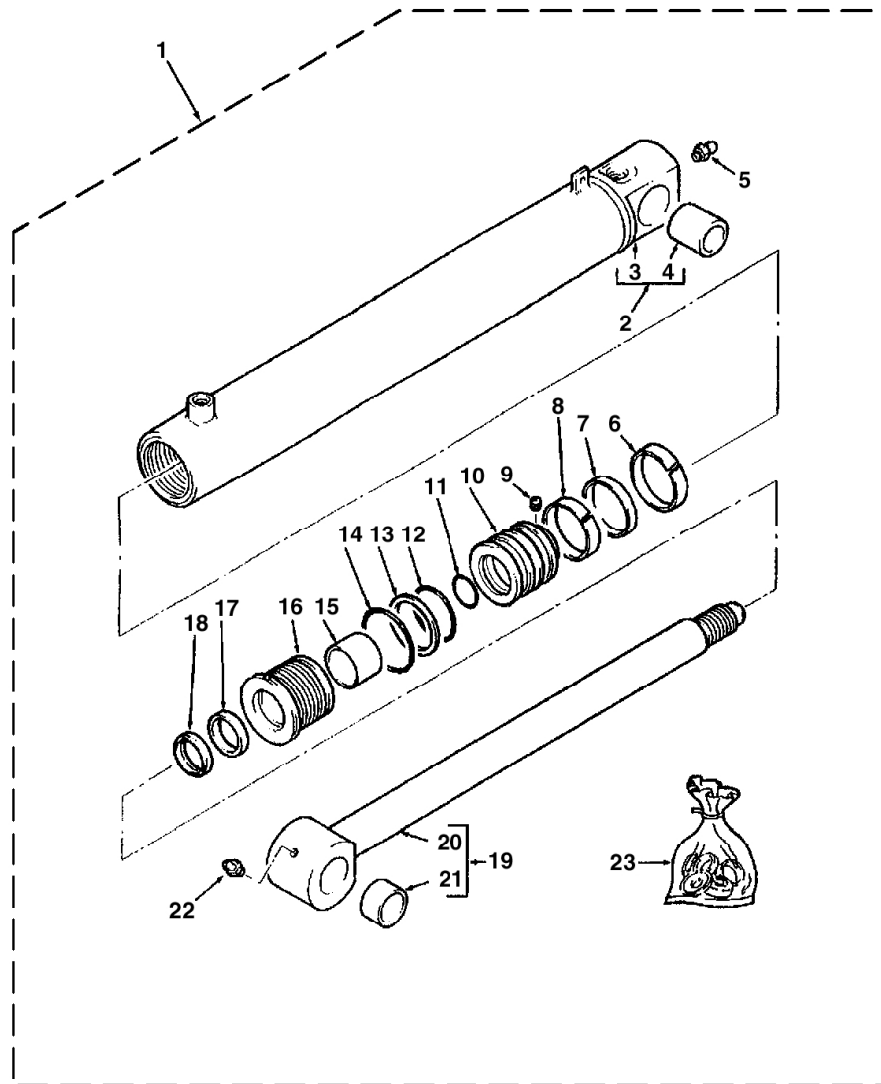
C-67004-01.1-B



Item	Part No.	Qty.	English	French	German	Spanish	Remarks
26	339124X1	2	Bolt M8-16 Z5f	Goupille	Maschschrb Metr - M8	Tornillo	
27	390972X1	2	Washer M8-17-1 Zwel	Rondelle M8	Scheibe - M8	Arandela	
28	6109412M91	1	Tube-Ldr Hyd HD RH	Tuyauterie	Rohrleitung Kplt	Conjunto De Tubería	
29	6109414M91	1	Tube-Ldr Hyd Rod LH	Tuyauterie	Rohrleitung Kplt	Conjunto De Tubería	
30	6109416M91	1	Tube-Ldr Hyd HD RH	Tuyauterie	Rohrleitung Kplt	Conjunto De Tubería	
31	6109418M91	1	Tube-Ldr Hyd Rod LH	Tuyauterie	Rohrleitung Kplt	Conjunto De Tubería	
32	6101897M1	2	Pad-Rubber	Plaque De Caoutchouc	Gummiplatte	Placa, Caucho	
33	6101228M1	4	Clamp-Tube-Assy	Collier De Serrage	Klemme	Brida De Fijación	
34	339124X1	4	Bolt M8-16 Z5f	Goupille	Maschschrb Metr - M8	Tornillo	
35	390972X1	4	Washer M8-17-1 Zwel	Rondelle M8	Scheibe - M8	Arandela	
36	356561X1	2	Tee-Union	Te	T-Stück	Te	
37	6109428M91	1	Tube-Ldr Hyd Rod	Tuyauterie	Rohrleitung Kplt	Conjunto De Tubería	
38	6109430M91	1	Tube-Ldr Hyd HD	Tuyauterie	Rohrleitung Kplt	Conjunto De Tubería	

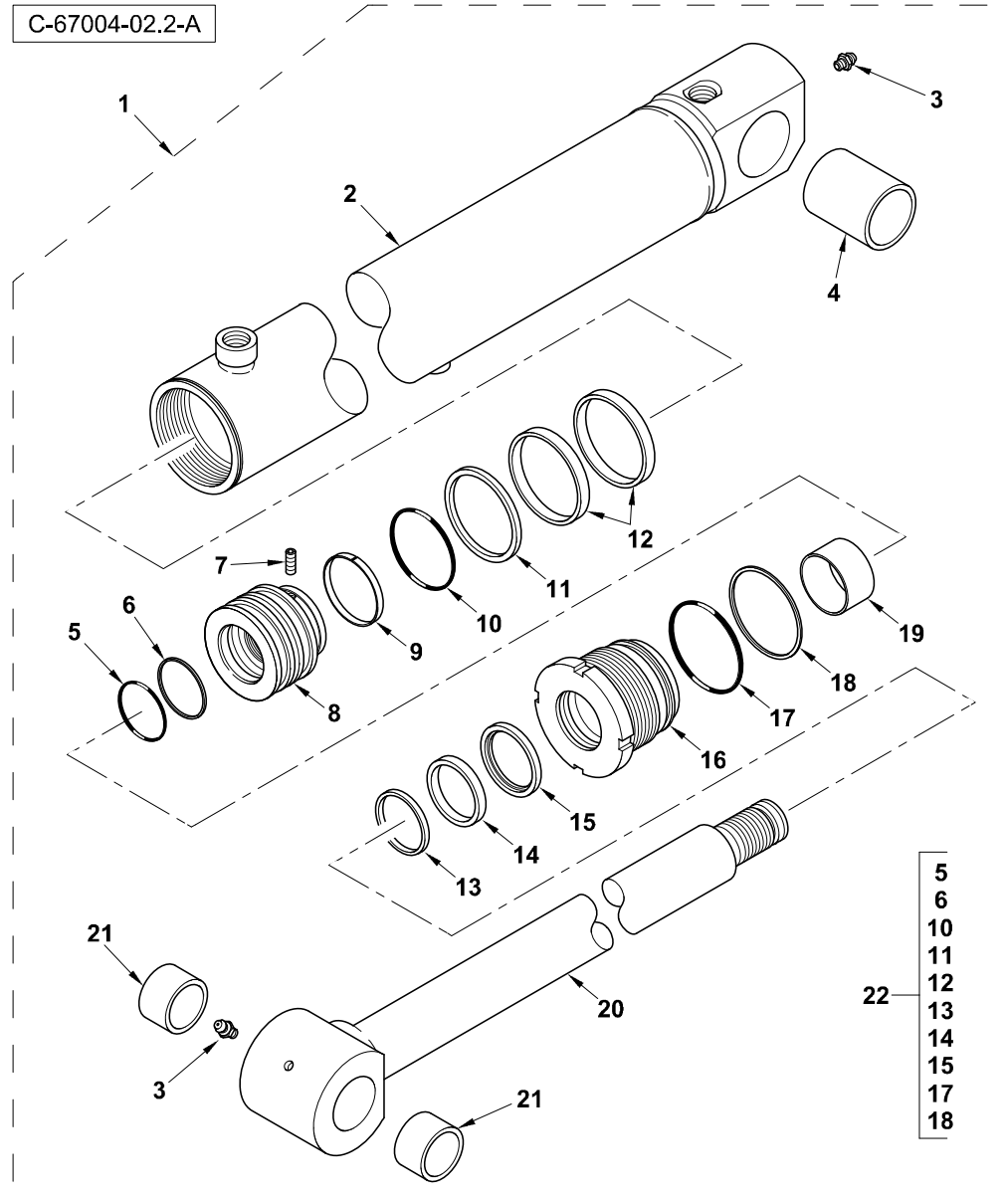


C-67004-02.1-B



Item	Part No.	Qty.	English	French	German	Spanish	Remarks
1	6109553M91	2	Cylinder - Lift High Spec	L'Hie Hydraulique	Zylinder Hydr.	Gato, Conj.	67004c01.1 1
2	#TUBE, CYLINDER	1	Tube, Cylinder	Tube, Cylinder	Tube, Cylinder	Tube, Cylinder	
3	#TUBE, CYLINDER	1	Tube, Cylinder	Tube, Cylinder	Tube, Cylinder	Tube, Cylinder	Ref. 2
4	3623322M1	1	Bush	Douille	Büchse	Anillo	
5	339608X1	1	Grease Nipple - M10 X 1 (Zinc)	Nipple De Graissage	Schmiernippel	Engrasador	
6	3485892M1	1	Guide Ring Piston	Bague D'Étanchéité	Dichtungsring	Anillo, Estanqueidad	
7	3485245M91	1	Seal Assy Piston	Joint Ass.	Dichtung Kplt	Junta, Conj.	
8	3485892M1	1	Guide Ring Piston	Bague D'Étanchéité	Dichtungsring	Anillo, Estanqueidad	
9	3402928M1	1	Screw, Socket Head - Piston Locating	Vis Tête Hex	Zylinderschraube	Tornillo	
10	3487180M1	1	Piston	Piston	Kolben	Pistón De Gato	
11	359183X1	1	O-Ring	Joint Torique	O-Ring	Junta De Tipo O	
12	359193X1	1	O-Ring	Joint Torique	O-Ring	Junta De Tipo O	
13	1606735M1	1	Ring Back-Up	Contre Bague	Stützring	ContraJunta	
14	3623641M1	1	O-Ring	Joint Torique	O-Ring	Junta De Tipo O	
15	3443550M1	1	Ring Rod Guide	Anneau	Ring	Aro	
16	5002159M1	1	Bearing	Roulement	Lager	Palier De Gato	
17	3403067M1	1	Seal	Joint D'Arbre	Wellendichtring	Anillo, Estanqueidad	
18	1606058M1	1	Wiper Ring	Joint De Racleur	Abstreifdichtung	Junta Raspador	
19	3441920M91	1	Piston Rod Assy	Tige De Vérin	Kolbenstange	Vástago Cilindro	
20	#ROD, PISTON	1	Rod, Piston	Rod, Piston	Rod, Piston	Rod, Piston	Ref. 19
21	3623323M1	2	Bush	Douille	Büchse	Anillo	
22	339608X1	1	Grease Nipple - M10 X 1 (Zinc)	Nipple De Graissage	Schmiernippel	Engrasador	
23	5001975M91	1	Kit Seal	Jeu Étanchéité	Dichtringsatz	Juego De Juntas	

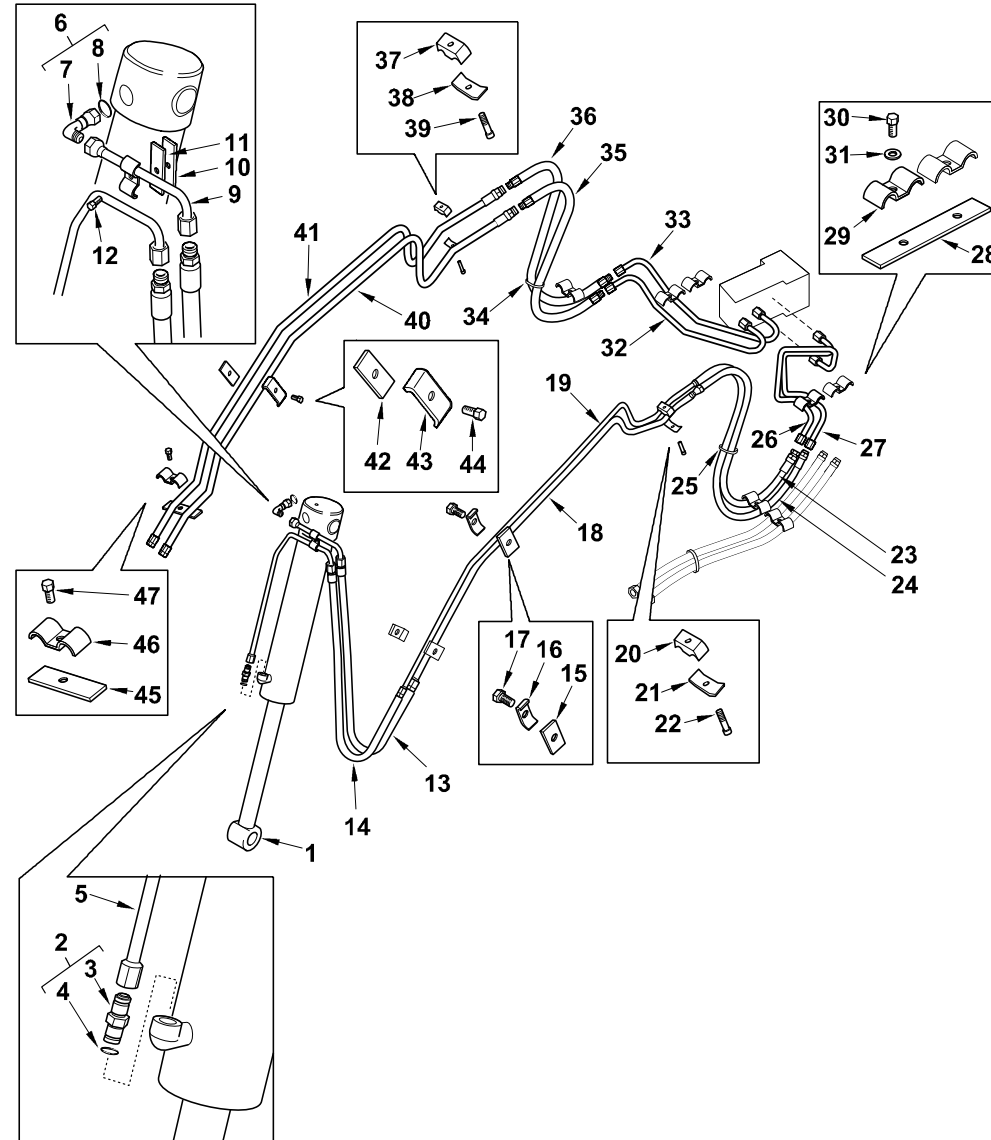




Item	Part No.	Qty.	English	French	German	Spanish	Remarks
1	6111077M91GY03	1	Cylinder Lift High Spec	Verin Hydraulique	Hydraulikzyl	Cilindro Hidrauli	
2	6195241M91GY03	1	Tube - S/A (Terex Grey)	Tube - S/A (Terex Grey)	Tube - S/A (Terex Grey)	Tube - S/A (Terex Grey)	
3	6194542M1	2	Nipple - Grease	Graisseur Coude	Nippel	Manguito, Engrasador	
4	6195244M1	1	Bush	Bush	Bush	Bush	
5	6195247M1	1	O - Ring	O - Ring	O - Ring	O - Ring	
6	6194570M1	1	Ring - Back Up	Contre Bague	Stutzring	ContraJunta	
7	6194619M1	1	Set Screw	Vis	Schraube	Tornillo De Ajuste	
8	6195242M1	1	Piston	Piston	Piston	Piston	
9	6195246M1	1	Ring - Snap	Ring - Snap	Ring - Snap	Ring - Snap	
10	6195186M1	1	O-Ring	O-Ring	O-Ring	O-Ring	
11	6194635M1	1	Seal - Piston	Joint Étanchéité	Dichtring	Junta	
12	6194634M1	2	Bearing - Piston	Coussinet	Lager	Teniendo - Pistón	
13	6194590M1	1	Wiper	Essuyeur	Wischer	Raspador, Escobilla	
14	6194589M1	1	Seal - Rod	Joint Étanchéité	Dichtring	Junta	
15	6194588M1	1	Seal - Rod (Primary)	Joint Étanchéité	Dichtring	Junta	
16	6195243M1	1	Cover - H.E.	Cover - H.E.	Cover - H.E.	Cover - H.E.	
17	6195189M1	1	O-Ring	O-Ring	O-Ring	O-Ring	
18	6194641M1	1	Ring - Back Up	Contre Bague	Stutzring	ContraJunta	
19	6194593M1	1	Bush - Bimetal	Douille	Büchse	Juego De Anillos	
20	6194537M91	1	Rod - Piston	Bielle De Piston	Pleuelstange	Rod - Pistón	
21	6195245M1	2	Bush	Bush	Bush	Bush	
22	6195248M91	1	Seal Kit	Seal Kit	Seal Kit	Seal Kit	



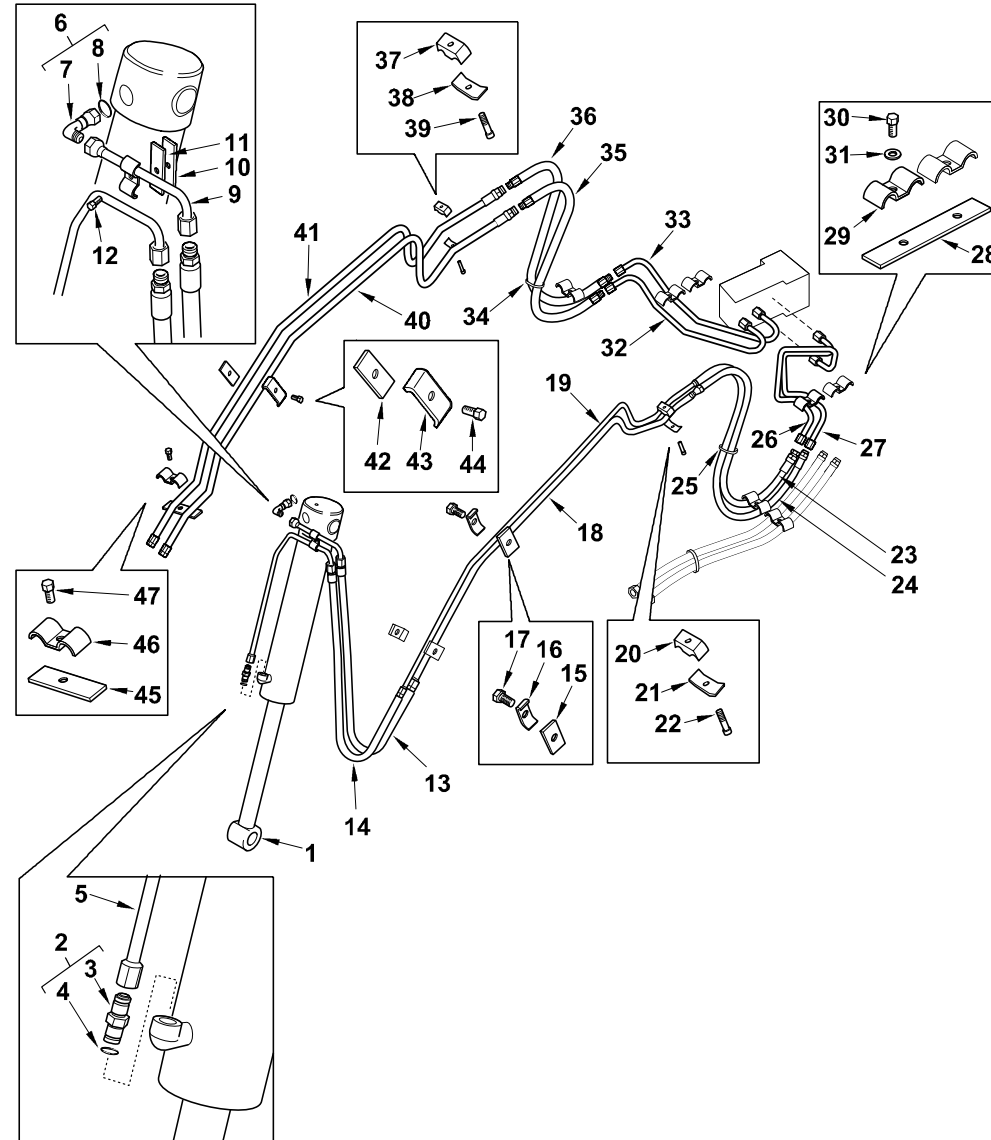
C-67004-03.1-B



Item	Part No.	Qty.	English	French	German	Spanish	Remarks
1	6111076M91GY03	1	Cylinder Loader Bucket High Spec	Cylindre	Zylinder	Cilindro	Wipro
1	5000120M91	1	Cylinder Loader Bucket - Hi Spec	L´Hie Hydraulique	Zylinder Hydr.	Gato, Conj.	Pacoma
2	835013M91	1	Connector 7/8 Jic	Raccord	Schraubanschluss	Conexión, Conj.	
3	#UNION	1	Union	Union	Union	Union	Ref. 2
4	835024M1	1	Ring O - Boa	Joint Torique	O Ring	Junta De Tipo O	
5	6109514M91	1	Tube-Ldr Hyd Bucket Rod	Tuyauterie	Rohrleitung Kplt	Conjunto De Tubería	
6	835007M91	1	Elbow 90 Degree Adjust	Coude 90°	Kniestück 90°	Codo, 90°	
7	#ELBOW	1	Elbow	Elbow	Elbow	Elbow	Ref. 6
8	835024M1	1	Ring O - Boa	Joint Torique	O Ring	Junta De Tipo O	
9	6109536M91	1	Tube Assy - Bucket Head	Tuyauterie	Rohrleitung Kplt	Conjunto De Tubería	
10	6109526M91	1	Clamp Plate Assy	Ensemble De Plaque	Platte Kpl.	Placa, Conj.	
11	6106109M1	1	Pad-Neoprene	Tampon	Klotz	Placa, Caucho	
12	339761X1	1	Bolt M8-25 Z5f	Goupille	Bolzen M8 X 25	Tornillo	
13	6109530M91	1	Hose Assy - Bucket Cyl Head	Flexible Ass.	Schlauch Kplt	Flexible, Conj.	
14	6109529M91	1	Hose Assy - Bucket Cyl Rod	Flexible Ass.	Schlauch Kplt	Flexible, Conj.	
15	6106109M1	2	Pad-Neoprene	Tampon	Klotz	Placa, Caucho	
16	6101228M1	2	Clamp-Tube-Assy	Collier De Serrage	Klemme	Brida De Fijación	
17	339123X1	2	Bolt M8-20 Z5f	Boulon M8 X 20	Maschschraube M8	Perno	
18	6102461M91	1	Tube Assy	Tuyauterie	Rohrleitung Kplt	Conjunto De Tubería	
19	6102463M91	1	Tube Assy	Tuyauterie	Rohrleitung Kplt	Conjunto De Tubería	
20	3520528M2	1	Clamp Block Ldr Beam	Collier De Serrage	Klemme	Argolla De Cierre	
21	3520534M1	1	Clamp (Zinc Plated)	Collier De Serrage	Klemme	Brida De Fijación	
22	339291X1	1	Bolt M8-55 Z5s	Goupille	Bolzen M8 X 55	Tornillo	
23	6109793M91	1	Hose Assy - Bucket Cyl Rod	Flexible Ass.	Schlauch Kplt	Flexible, Conj.	
24	6109543M91	1	Hose Assy - Bkt Cylinder Head	Flexible Ass.	Schlauch Kplt	Flexible, Conj.	
25	1876229M1	1	Tie 270mm Lk2a	Attache Câble	Kabelbinder	Enlace De Cable	
26	6109420M91	1	Tube-Ldr Hyd Bucket Rod	Tuyauterie	Rohrleitung Kplt	Conjunto De Tubería	
27	6109422M91	1	Tube-Ldr Hyd Bucket HD	Tuyauterie	Rohrleitung Kplt	Conjunto De Tubería	
28	6101897M1	1	Pad-Rubber	Plaque De Caoutchouc	Gummiplatte	Placa, Caucho	
29	6101228M1	2	Clamp-Tube-Assy	Collier De Serrage	Klemme	Brida De Fijación	

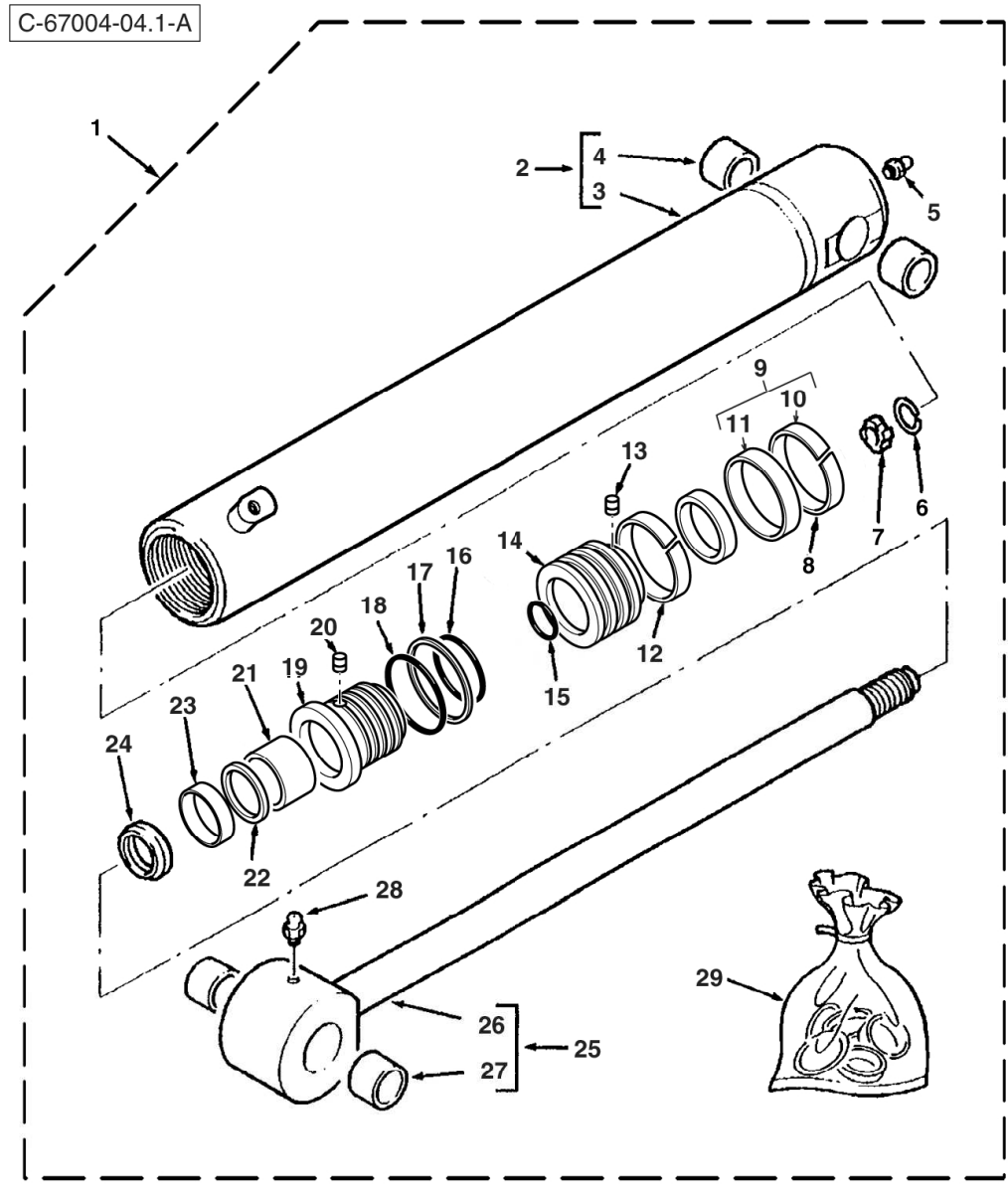


C-67004-03.1-B



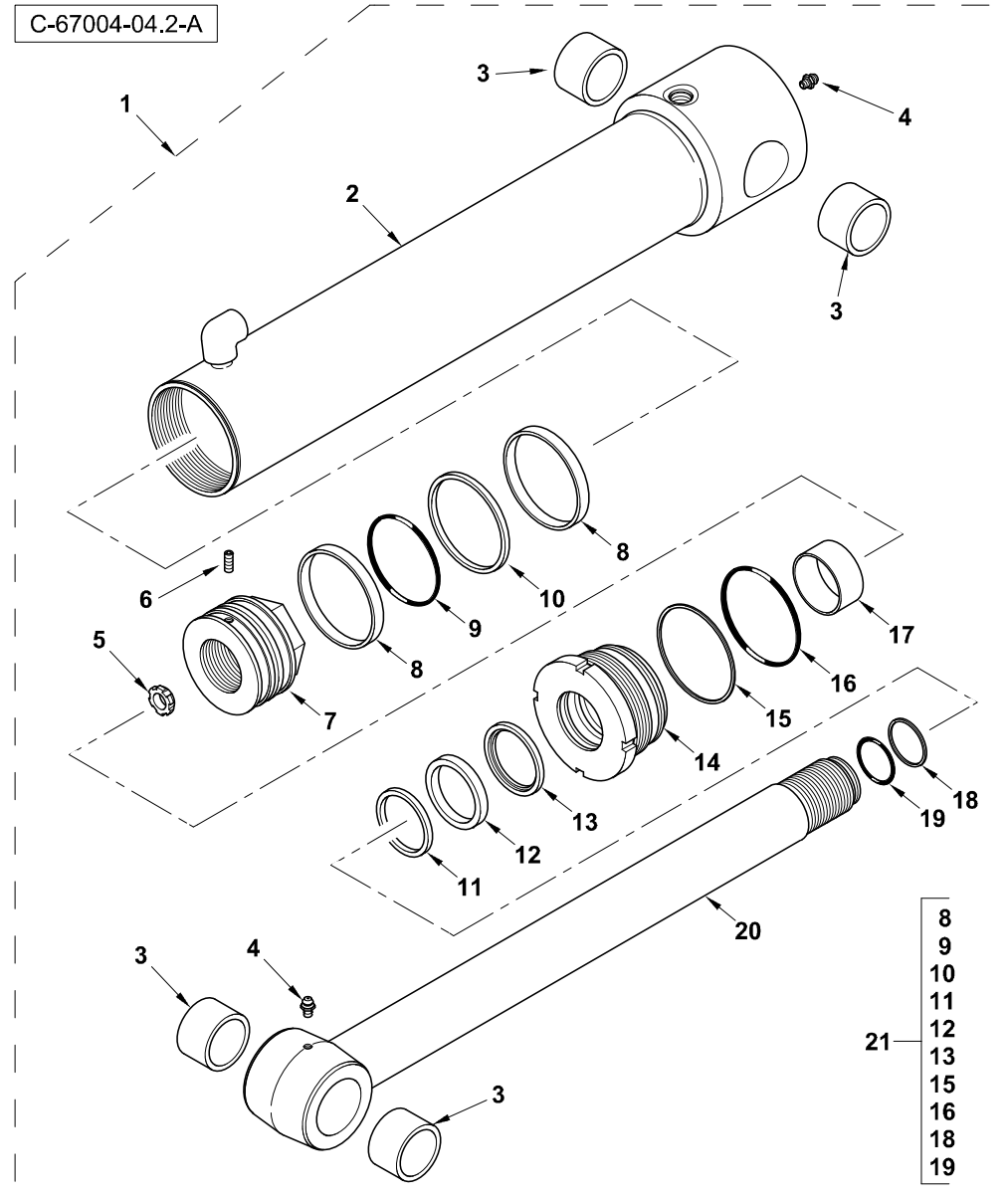
Item	Part No.	Qty.	English	French	German	Spanish	Remarks
30	339124X1	2	Bolt M8-16 Z5f	Goupille	Maschschrb Metr - M8	Tornillo	
31	390972X1	2	Washer M8-17-1 Zwl	Rondelle M8	Scheibe - M8	Arandela	
32	6109424M93	1	Tube Assembly - Loader Hyd 7 In 1 HD	Ensemble Tube	Rohr Kpl	Conjunto De Tubería	H200 7 2060
32	6111904M91	1	Tube Assembly 7 In 1 HD	Ensemble Tube	Rohr Kpl	Conjunto De Tubería	H200 7 2060
33	6109426M92	1	Tube Assy (7 In 1 Rod)	Tuyauterie	Rohr Kpl	Conjunto De Tubería	H200 7 2060
33	6111903M91	1	Tube Assembly 7 In 1 Rod	Ensemble Tube	Rohr Kpl	Conjunto De Tubería	H200 7 2060
34	1876229M1	1	Tie 270mm Lk2a	Attache Câble	Kabelbinder	Enlace De Cable	
35	6109804M91	1	Hose Assy - 7 In 1 Inner	Ensemble Durit	Schlauch Kpl	Flexible, Conj.	
36	6109920M91	1	Hose Assy - 7 In 1 Outer	Ensemble Durit	Schlauch Kpl	Flexible, Conj.	
37	3520538M2	1	Clamp Block Ldr Beam	Collier De Serrage	Klemme	Argolla De Cierre	
38	3520534M1	1	Clamp (Zinc Plated)	Collier De Serrage	Klemme	Brida De Fijación	
39	339291X1	1	Bolt M8-55 Z5s	Goupille	Bolzen M8 X 55	Tornillo	
40	6101236M91	1	Tube-Assy Bucket 7 In 1	Tuyauterie	Rohrleitung Kplt	Conjunto De Tubería	
41	6101234M91	1	Tube-Assy 7 In 1 Bucket	Tuyauterie	Rohrleitung Kplt	Conjunto De Tubería	
42	6106109M1	1	Pad-Neoprene	Tampon	Klotz	Placa, Caucho	
43	6101228M1	1	Clamp-Tube-Assy	Collier De Serrage	Klemme	Brida De Fijación	
44	339123X1	1	Bolt M8-20 Z5f	Boulon M8 X 20	Maschschraube M8	Perno	
45	6106109M1	1	Pad-Neoprene	Tampon	Klotz	Placa, Caucho	
46	6101228M1	1	Clamp-Tube-Assy	Collier De Serrage	Klemme	Brida De Fijación	
47	339009X1	1	Bolt - M8 X 35	Boulon M8 X 35	Maschschraube M8	Tornillo	





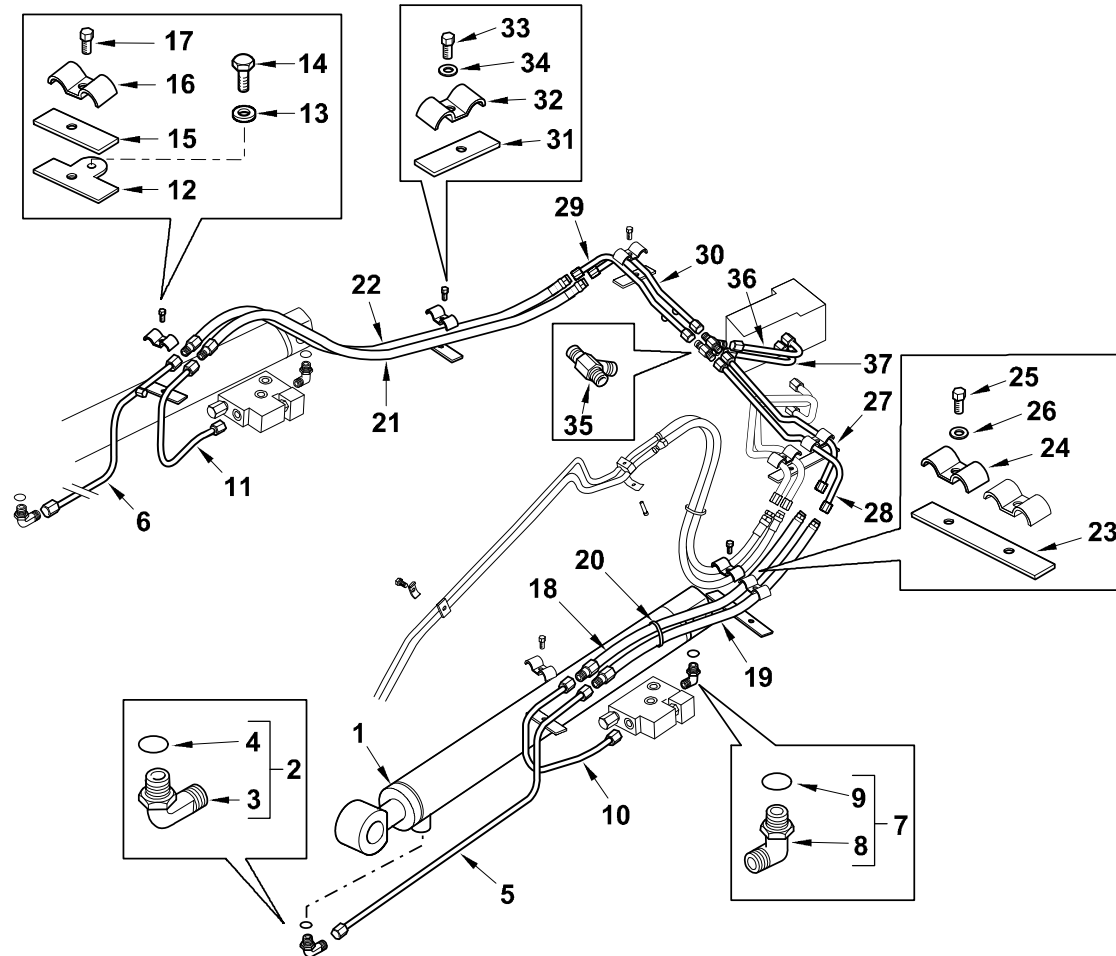
Item	Part No.	Qty.	English	French	German	Spanish	Remarks
1	5000120M91	1	Cylinder Loader Bucket - Hi Spec	L´Hie Hydraulique	Zylinder Hydr.	Gato, Conj.	67004c03.1 1
2	5003936M91	1	Barrel Cylinder	Ensemble De Vérin	Zylinder Kpl.	Gato, Conj.	
3	#TUBE, CYLINDER	1	Tube, Cylinder	Tube, Cylinder	Tube, Cylinder	Tube, Cylinder	Ref. 3
4	3623390M1	2	Bush	Douille	Buechse	Casquillo	
5	339608X1	1	Grease Nipple - M10 X 1 (Zinc)	Nipple De Graissage	Schmiernippel	Engrasador	
6	3186587M1	1	Snap Ring	Anneau D´Arrêt	Sprengring	Anillo De Resorte	
7	3186586M1	1	Ring Cushioning	Anneau	Ring	Aro	
8	3442376M1	1	Ring Piston Guide	Anneau	Ring	Aro	
9	3485249M91	1	Seal Piston	Joint	Dichtung	Junta	
10	#SEAL	1	Seal	Joint Étanchéité	Dichtring	Retén	Ref. 9
11	#SEAL	1	Seal	Joint Étanchéité	Dichtring	Retén	Ref. 9
12	3442376M1	1	Ring Piston Guide	Anneau	Ring	Aro	
13	3402928M1	1	Screw, Socket Head - Piston Locating	Vis Tête Hex	Zylinderschraube	Tornillo	
14	3485147M1	1	Piston	Piston	Kolben	Pistón	
15	359186X1	1	O-Ring	Joint Torique	O-Ring	Junta De Tipo O	
16	359201X1	1	O Ring	Joint Torique	O Ring	Junta De Tipo O	
17	1024334M1	1	Ring, Back-Up	Contre Bague	Stuetzring	Aro	
18	3487909M1	1	O-Ring	Joint Torique	O-Ring	Junta De Tipo O	
19	5003941M1	1	Bearing	Roulement	Lager	Cojinete	
20	3443386M1	1	Retaining Plug	Bouchon	Stopfen	Tapón	
21	3484615M1	1	Guide Ring	Anneau	Ring	Aro	
22	3484055M1	1	Ring Buffer	Anneau	Ring	Aro	
23	3485185M1	1	Seal	Joint D´Arbre	Wellendichtring	Junta	
24	3487015M1	1	Wiper Ring	Anneau	Ring	Aro	
25	3441631M91	1	Piston Rod Assy	Tige De Vérin	Kolbenstange	Vástago Cilindro	
26	#ROD, PISTON	1	Rod, Piston	Rod, Piston	Rod, Piston	Rod, Piston	Ref. 23
27	3623390M1	2	Bush	Douille	Buechse	Casquillo	
28	339608X1	1	Grease Nipple - M10 X 1 (Zinc)	Nipple De Graissage	Schmiernippel	Engrasador	
29	3623397M91	1	Kit Seal	Jeu Étanchéité	Dichtringsatz	Juego De Piezas	





Item	Part No.	Qty.	English	French	German	Spanish	Remarks
1	6111076M91GY03	1	Cylinder Loader Bucket High Spec	Cylindre	Zylinder	Cilindro	
2	6195231M91GY03	1	Tube - S/A (Terex Grey)	Tube - S/A (Terex Grey)	Tube - S/A (Terex Grey)	Tube - S/A (Terex Grey)	
3	6195234M1	4	Bush	Bush	Bush	Bush	
4	6194542M1	2	Nipple - Grease	Graisseur Coude	Nippel	Manguito, Engrasador	
5	6195235M1	1	Ring - Cushion	Ring - Cushion	Ring - Cushion	Ring - Cushion	
6	6195236M1	1	Set Screw - Hex Socket	Set Screw - Hex Socket	Set Screw - Hex Socket	Set Screw - Hex Socket	
7	6195232M1	1	Piston	Piston	Piston	Piston	
8	6194568M1	2	Bearing - Piston	Coussinet	Lager	Teniendo - Pistón	
9	6194567M1	1	O Ring (Std)	Joint Torique	O Ring	Junta De Tipo O	
10	6194566M1	1	Seal - Piston	Joint Étanchéité	Dichtring	Junta	
11	6194554M1	1	Wiper	Essuyeur	Wischer	Raspador, Escobilla	
12	6194551M1	1	Seal- Rod (Secondary)	Joint Étanchéité	Dichtring	Junta	
13	6194638M1	1	Seal - Rod (Primary)	Joint Étanchéité	Dichtring	Junta	
14	6195233M1	1	Cover - H.E.	Cover - H.E.	Cover - H.E.	Cover - H.E.	
15	6195238M1	1	Ring - Back Up	Ring - Back Up	Ring - Back Up	Ring - Back Up	
16	6195237M1	1	O - Ring	O - Ring	O - Ring	O - Ring	
17	6194541M1	1	Bush - Bimetal	Douille	Büchse	Juego De Anillos	
18	6194549M1	1	Ring - Back Up	Contre Bague	Stutzring	ContraJunta	
19	6195193M1	1	O-Ring	O-Ring	O-Ring	O-Ring	
20	6194537M91	1	Rod - Piston	Bielle De Piston	Pleuelstange	Rod - Pistón	
21	6195239M91	1	Seal Kit	Jeu Etancheite	Dichtringsatz	Juego Retenes	

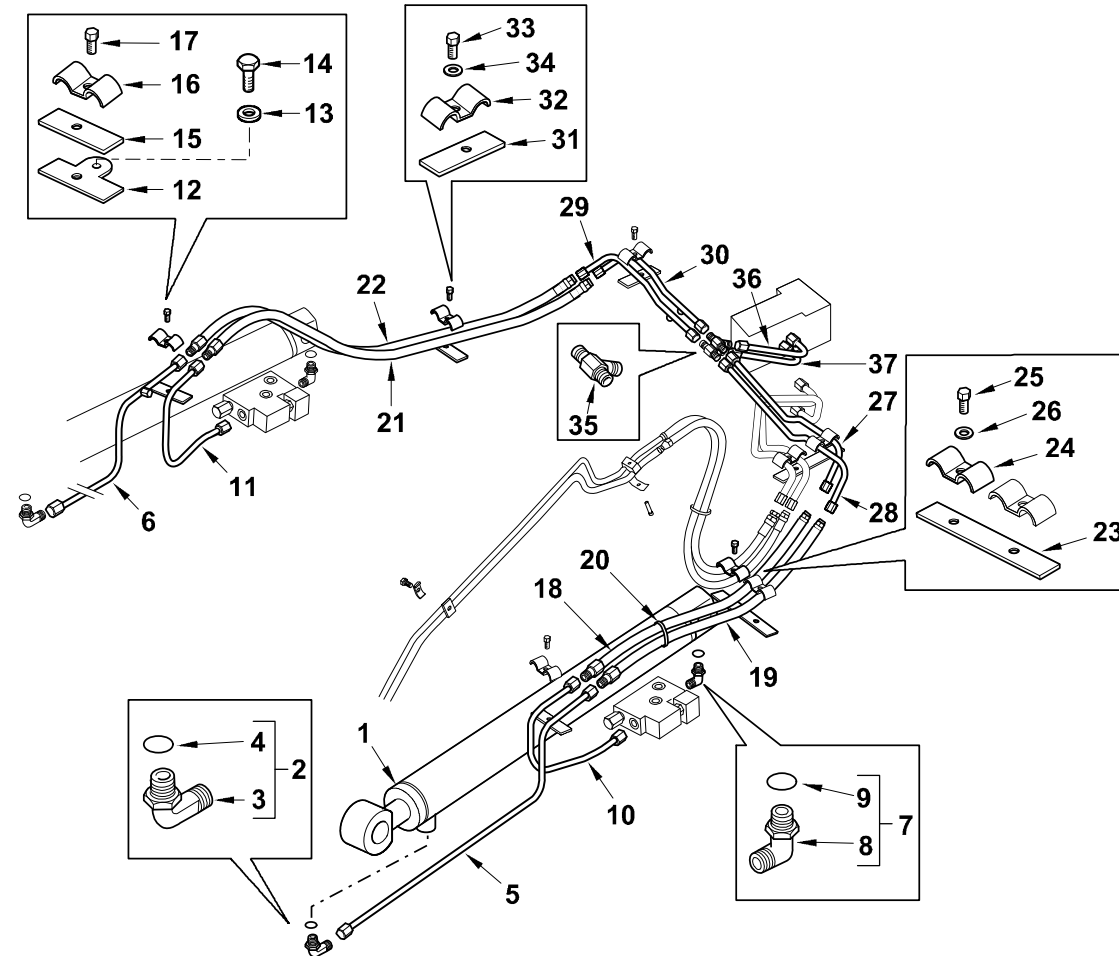
C-67006-01.1-C



Item	Part No.	Qty.	English	French	German	Spanish	Remarks
1	6109553M91	2	Cylinder - Lift High Spec	L'Hie Hydraulique	Zylinder Hydr.	Gato, Conj.	Pacoma
1	6111077M91GY03	2	Cylinder Lift High Spec	Verin Hydraulique	Hydraulikzyl	Cilindro Hidrauli	Wipro
2	835007M91	2	Elbow 90 Degree Adjust	Coude 90°	Kniestück 90°	Codo, 90°	
3	#ELBOW	1	Elbow	Elbow	Elbow	Elbow	Ref. 2
4	835024M1	1	Ring O - Boa	Joint Torique	O Ring	Junta De Tipo O	
5	6109544M91	1	Tube-Ldr Hyd	Tuyauterie	Rohrleitung Kplt	Conjunto De Tubería	Pacoma
5	6111167M91	1	Tube Assembly - Loader	Tuyauterie	Rohrleitung Kplt	Conjunto De Tubería	Wipro
6	6109548M91	1	Tube-Ldr Hyd	Tuyauterie	Rohrleitung Kplt	Conjunto De Tubería	Pacoma
6	6111169M91	1	Tube Assembly - Loader	Tuyauterie	Rohrleitung Kplt	Conjunto De Tubería	Wipro
7	835007M91	2	Elbow 90 Degree Adjust	Coude 90°	Kniestück 90°	Codo, 90°	
8	#ELBOW	1	Elbow	Elbow	Elbow	Elbow	Ref. 7
9	835024M1	1	Ring O - Boa	Joint Torique	O Ring	Junta De Tipo O	
10	6111171M91	1	Tube Assembly - Loader Hose Burst	Tuyauterie	Rohrleitung Kplt	Conjunto De Tubería	Wipro
10	6109936M91	1	Tube Assy - Loader Hose Burst	Tuyauterie	Rohrleitung Kplt	Conjunto De Tubería	Pacoma
11	6111172M91	1	Tube Assembly - Loader Hose Burst	Tuyauterie	Rohrleitung Kplt	Conjunto De Tubería	Wipro
11	6109938M91	1	Tube Assy - Loader Hose Burst	Tuyauterie	Rohrleitung Kplt	Conjunto De Tubería	Pacoma
12	6109791M91	2	Clamp Plate Assy	Ensemble De Plaque	Platte Kpl.	Placa, Conj.	
13	339374X1	2	Washer M8 -21-2 Z	Rondelle Frein - M8	Federring - M8	Arandela De Freno	
14	339123X1	2	Bolt M8-20 Z5f	Boulon M8 X 20	Maschschraube M8	Perno	
15	6106109M1	2	Pad-Neoprene	Tampon	Klotz	Placa, Caucho	
16	6101228M1	2	Clamp-Tube-Assy	Collier De Serrage	Klemme	Brida De Fijación	
17	339123X1	2	Bolt M8-20 Z5f	Boulon M8 X 20	Maschschraube M8	Perno	
18	6109919M91	1	Hose Assy - Lift Cylinder Head	Flexible Ass.	Schlauch Kplt	Flexible, Conj.	
19	6109372M91	1	Hose Assy - Lift Cylinder Rod	Flexible Ass.	Schlauch Kplt	Flexible, Conj.	
20	1876229M1	2	Tie 270mm Lk2a	Attache Câble	Kabelbinder	Enlace De Cable	
21	6109919M91	1	Hose Assy - Lift Cylinder Head	Flexible Ass.	Schlauch Kplt	Flexible, Conj.	
22	6109372M91	1	Hose Assy - Lift Cylinder Rod	Flexible Ass.	Schlauch Kplt	Flexible, Conj.	
23	6101897M1	1	Pad-Rubber	Plaque De Caoutchouc	Gummiplatte	Placa, Caucho	
24	6101228M1	2	Clamp-Tube-Assy	Collier De Serrage	Klemme	Brida De Fijación	
25	339124X1	2	Bolt M8-16 Z5f	Goupille	Maschschrb Metr - M8	Tornillo	



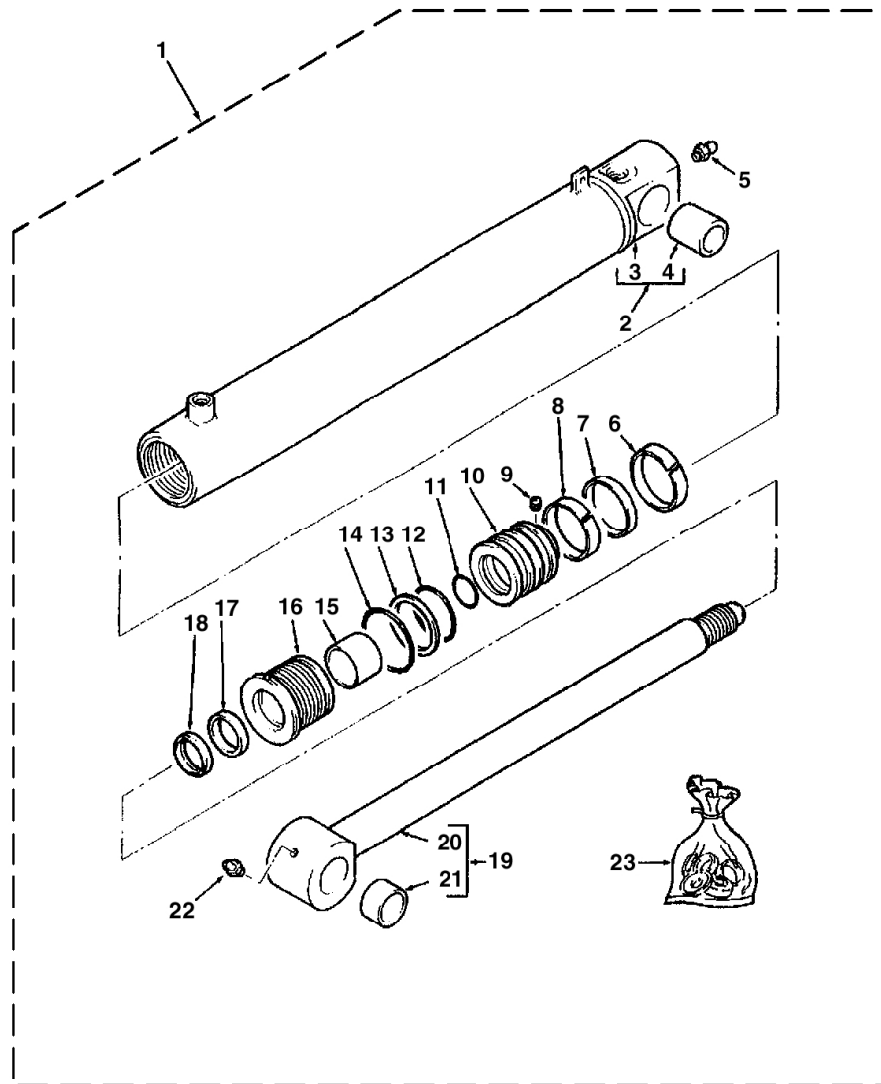
C-67006-01.1-C



Item	Part No.	Qty.	English	French	German	Spanish	Remarks
26	390972X1	2	Washer M8-17-1 Zwl	Rondelle M8	Scheibe - M8	Arandela	
27	6109412M91	1	Tube-Ldr Hyd HD RH	Tuyauterie	Rohrleitung Kplt	Conjunto De Tubería	
28	6109414M91	1	Tube-Ldr Hyd Rod LH	Tuyauterie	Rohrleitung Kplt	Conjunto De Tubería	
29	6109416M91	1	Tube-Ldr Hyd HD RH	Tuyauterie	Rohrleitung Kplt	Conjunto De Tubería	
30	6109418M91	1	Tube-Ldr Hyd Rod LH	Tuyauterie	Rohrleitung Kplt	Conjunto De Tubería	
31	6106109M1	2	Pad-Neoprene	Tampon	Klotz	Placa, Caucho	
32	6101228M1	2	Clamp-Tube-Assy	Collier De Serrage	Klemme	Brida De Fijación	
33	339124X1	2	Bolt M8-16 Z5f	Goupille	Maschschrb Metr - M8	Tornillo	
34	390972X1	2	Washer M8-17-1 Zwl	Rondelle M8	Scheibe - M8	Arandela	
35	356561X1	2	Tee-Union	Te	T-Stück	Te	
36	6109428M91	1	Tube-Ldr Hyd Rod	Tuyauterie	Rohrleitung Kplt	Conjunto De Tubería	
37	6109430M91	1	Tube-Ldr Hyd HD	Tuyauterie	Rohrleitung Kplt	Conjunto De Tubería	

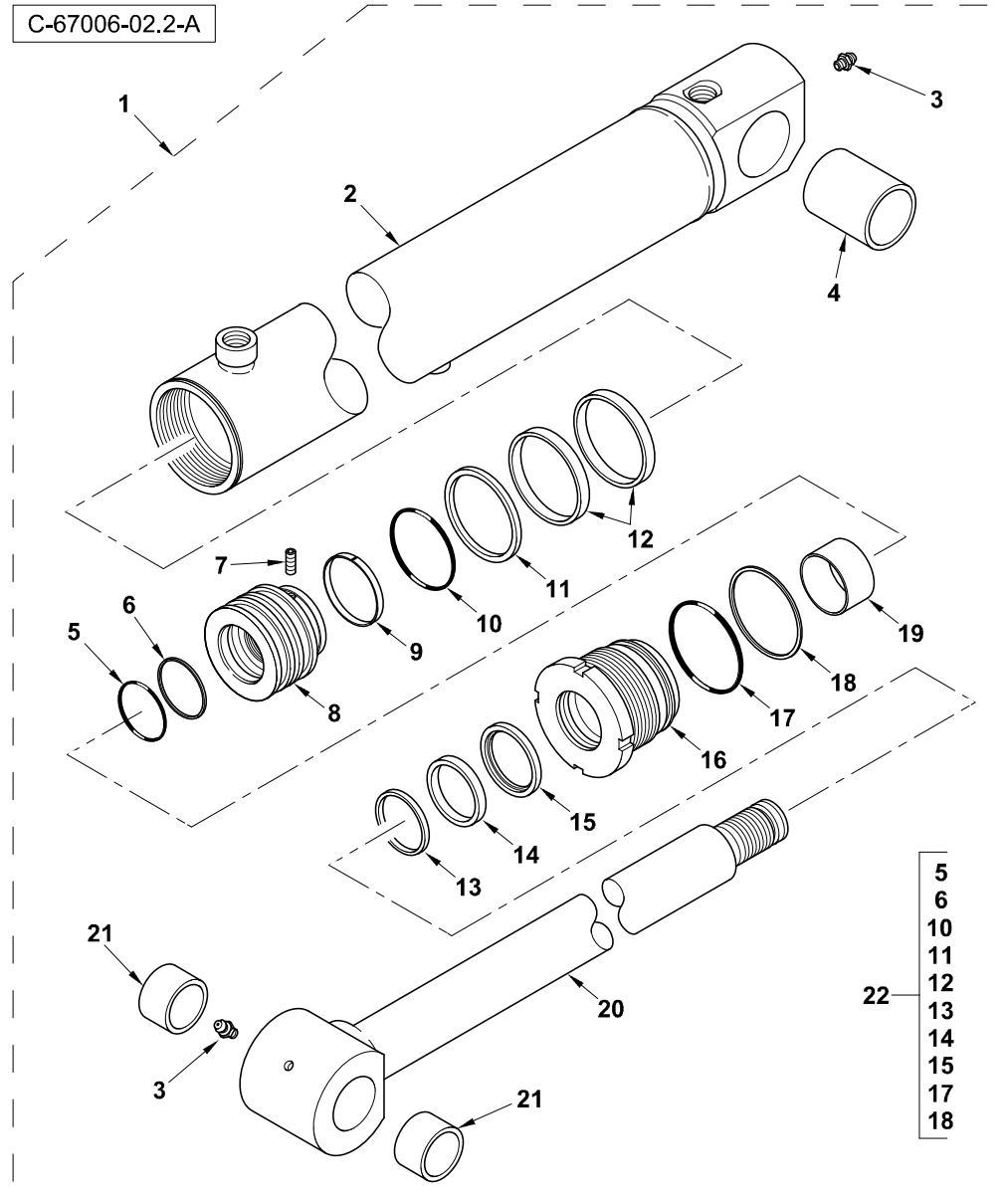


C-67006-02.1-B



Item	Part No.	Qty.	English	French	German	Spanish	Remarks
1	6109553M91	2	Cylinder - Lift High Spec	L'Hie Hydraulique	Zylinder Hydr.	Gato, Conj.	67006c01.1 1
2	#TUBE, CYLINDER	1	Tube, Cylinder	Tube, Cylinder	Tube, Cylinder	Tube, Cylinder	
3	#TUBE, CYLINDER	1	Tube, Cylinder	Tube, Cylinder	Tube, Cylinder	Tube, Cylinder	Ref. 2
4	3623322M1	1	Bush	Douille	Büchse	Anillo	
5	339608X1	1	Grease Nipple - M10 X 1 (Zinc)	Nipple De Graissage	Schmiernippel	Engrasador	
6	3485892M1	1	Guide Ring Piston	Bague D'Étanchéité	Dichtungsring	Anillo, Estanqueidad	
7	3485245M91	1	Seal Assy Piston	Joint Ass.	Dichtung Kplt	Junta, Conj.	
8	3485892M1	1	Guide Ring Piston	Bague D'Étanchéité	Dichtungsring	Anillo, Estanqueidad	
9	3402928M1	1	Screw, Socket Head - Piston Locating	Vis Tête Hex	Zylinderschraube	Tornillo	
10	3487180M1	1	Piston	Piston	Kolben	Pistón De Gato	
11	359183X1	1	O-Ring	Joint Torique	O-Ring	Junta De Tipo O	
12	359193X1	1	O-Ring	Joint Torique	O-Ring	Junta De Tipo O	
13	1606735M1	1	Ring Back-Up	Contre Bague	Stützring	ContraJunta	
14	3623641M1	1	O-Ring	Joint Torique	O-Ring	Junta De Tipo O	
15	3443550M1	1	Ring Rod Guide	Anneau	Ring	Aro	
16	5002159M1	1	Bearing	Roulement	Lager	Palier De Gato	
17	3403067M1	1	Seal	Joint D'Arbre	Wellendichtring	Anillo, Estanqueidad	
18	1606058M1	1	Wiper Ring	Joint De Racleur	Abstreifdichtung	Junta Raspador	
19	3441920M91	1	Piston Rod Assy	Tige De Vérin	Kolbenstange	Vástago Cilindro	
20	#ROD, PISTON	1	Rod, Piston	Rod, Piston	Rod, Piston	Rod, Piston	Ref. 19
21	3623323M1	2	Bush	Douille	Büchse	Anillo	
22	339608X1	1	Grease Nipple - M10 X 1 (Zinc)	Nipple De Graissage	Schmiernippel	Engrasador	
23	5001975M91	1	Kit Seal	Jeu Étanchéité	Dichtringsatz	Juego De Juntas	

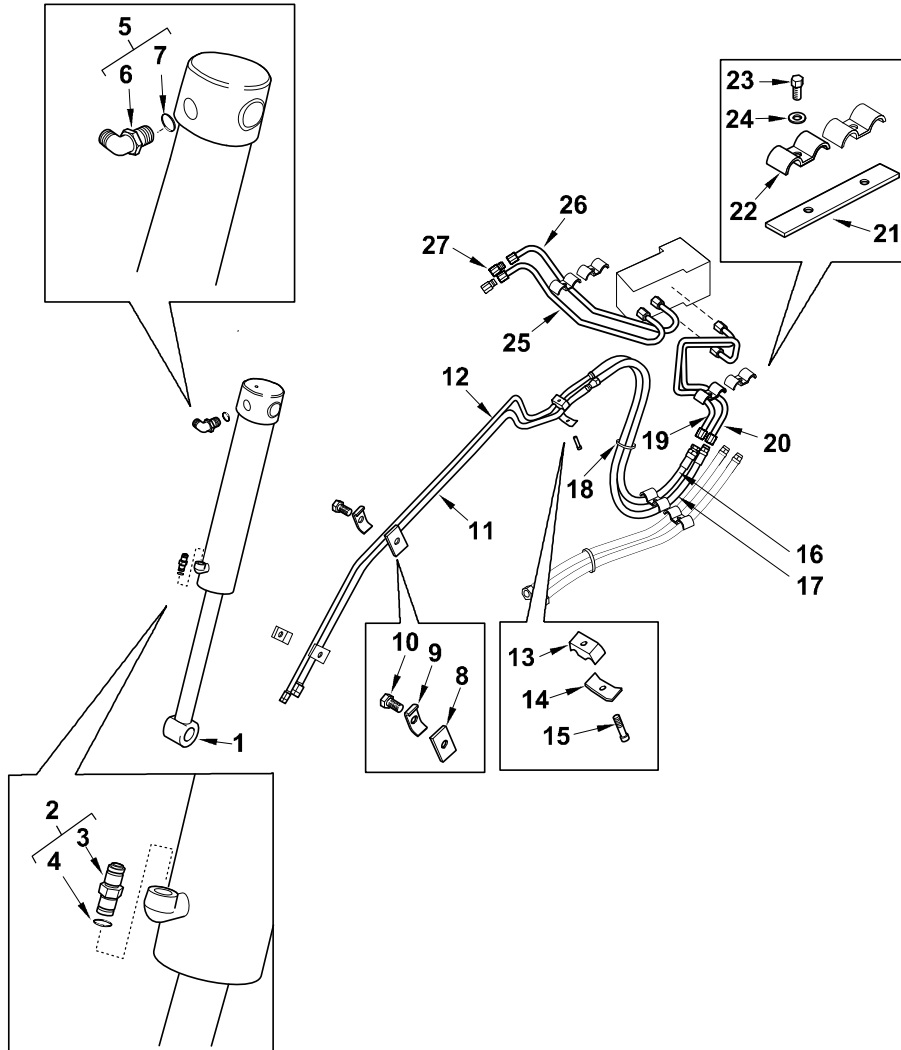




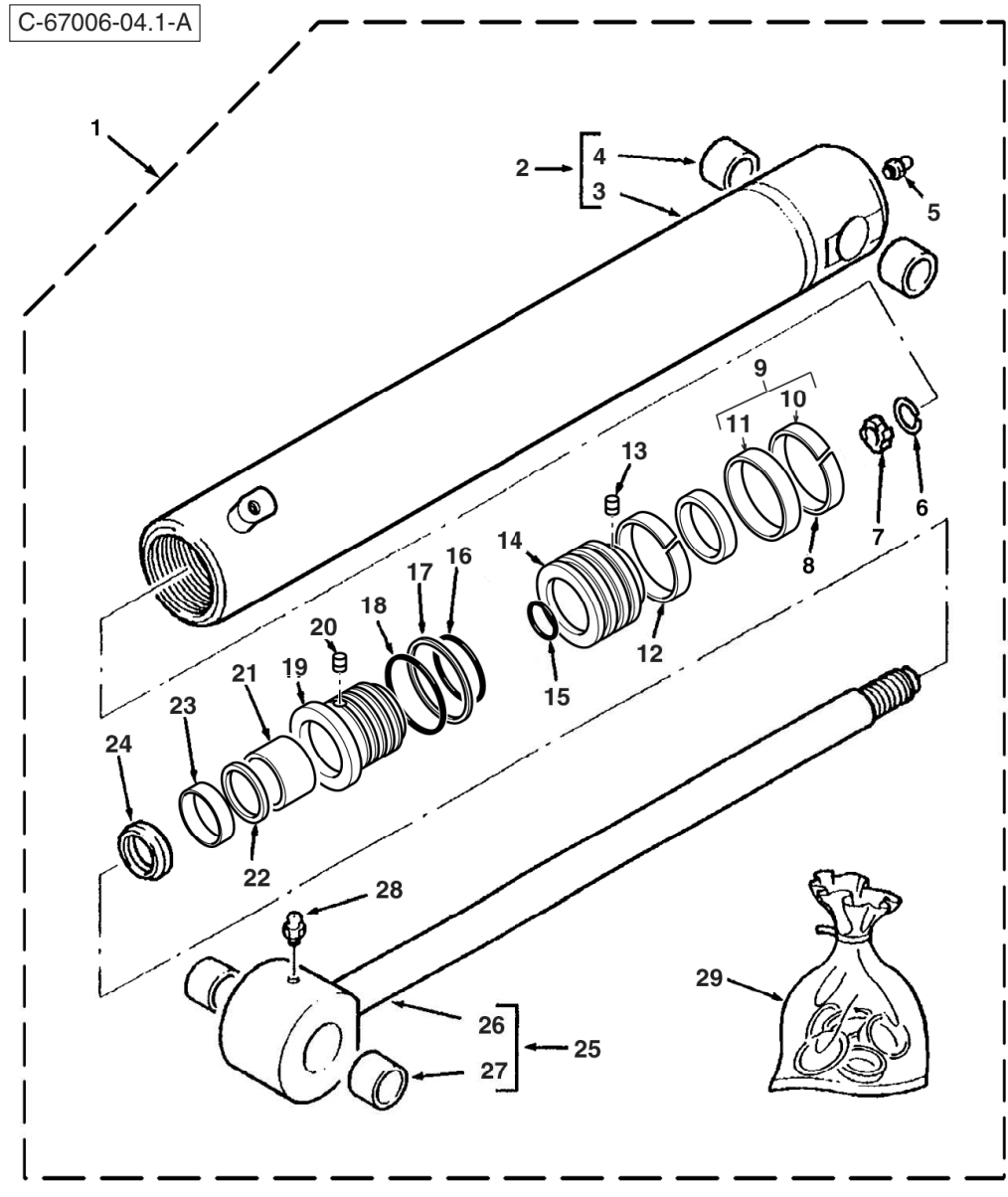
Item	Part No.	Qty.	English	French	German	Spanish	Remarks
1	6111077M91GY03	1	Cylinder Lift High Spec	Verin Hydraulique	Hydraulikzyl	Cilindro Hidrauli	
2	6195241M91GY03	1	Tube - S/A (Terex Grey)	Tube - S/A (Terex Grey)	Tube - S/A (Terex Grey)	Tube - S/A (Terex Grey)	
3	6194542M1	2	Nipple - Grease	Graisseur Coude	Nippel	Manguito, Engrasador	
4	6195244M1	1	Bush	Bush	Bush	Bush	
5	6195247M1	1	O - Ring	O - Ring	O - Ring	O - Ring	
6	6194570M1	1	Ring - Back Up	Contre Bague	Stutzring	ContraJunta	
7	6194619M1	1	Set Screw	Vis	Schraube	Tornillo De Ajuste	
8	6195242M1	1	Piston	Piston	Piston	Piston	
9	6195246M1	1	Ring - Snap	Ring - Snap	Ring - Snap	Ring - Snap	
10	6195186M1	1	O-Ring	O-Ring	O-Ring	O-Ring	
11	6194635M1	1	Seal - Piston	Joint Étanchéité	Dichtring	Junta	
12	6194634M1	2	Bearing - Piston	Coussinet	Lager	Teniendo - Pistón	
13	6194590M1	1	Wiper	Essuyeur	Wischer	Raspador, Escobilla	
14	6194589M1	1	Seal - Rod	Joint Étanchéité	Dichtring	Junta	
15	6194588M1	1	Seal - Rod (Primary)	Joint Étanchéité	Dichtring	Junta	
16	6195243M1	1	Cover - H.E.	Cover - H.E.	Cover - H.E.	Cover - H.E.	
17	6195189M1	1	O-Ring	O-Ring	O-Ring	O-Ring	
18	6194641M1	1	Ring - Back Up	Contre Bague	Stutzring	ContraJunta	
19	6194593M1	1	Bush - Bimetal	Douille	Büchse	Juego De Anillos	
20	6194537M91	1	Rod - Piston	Bielle De Piston	Pleuelstange	Rod - Pistón	
21	6195245M1	2	Bush	Bush	Bush	Bush	
22	6195248M91	1	Seal Kit	Seal Kit	Seal Kit	Seal Kit	



C-67006-03.1-C

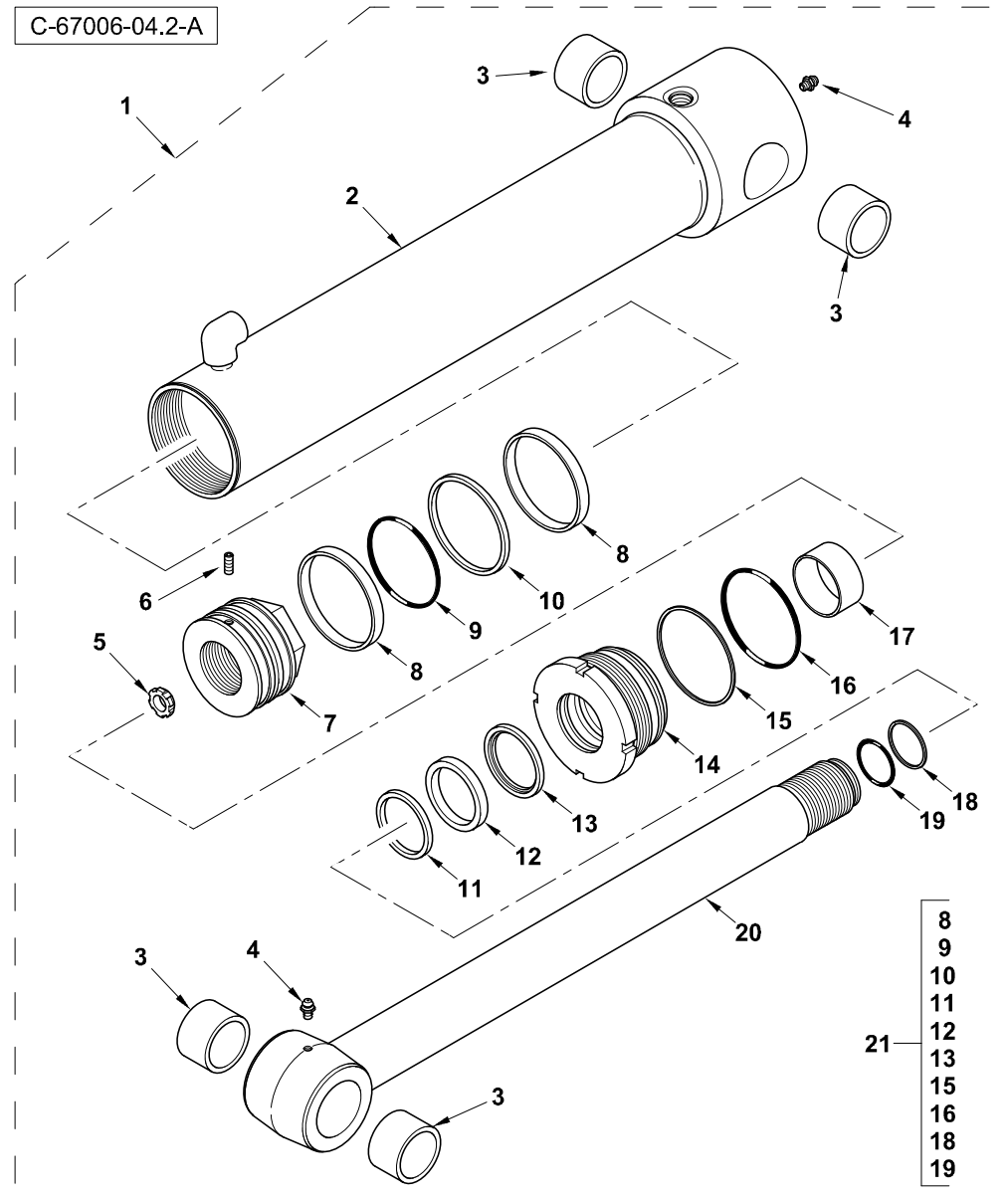


Item	Part No.	Qty.	English	French	German	Spanish	Remarks
1	6111076M91GY03	1	Cylinder Loader Bucket High Spec	Cylindre	Zylinder	Cilindro	Wipro
1	5000120M91	1	Cylinder Loader Bucket - Hi Spec	L' Hie Hydraulique	Zylinder Hydr.	Gato, Conj.	Pacoma
2	835013M91	1	Connector 7/8 Jic	Raccord	Schraubanschluss	Conexión, Conj.	
3	#UNION	1	Union	Union	Union	Union	Ref. 2
4	835024M1	1	Ring O - Boa	Joint Torique	O Ring	Junta De Tipo O	
5	835007M91	1	Elbow 90 Degree Adjust	Coude 90°	Kniestück 90°	Codo, 90°	
6	#ELBOW	1	Elbow	Elbow	Elbow	Elbow	Ref. 5
7	835024M1	1	Ring O - Boa	Joint Torique	O Ring	Junta De Tipo O	
8	6106109M1	2	Pad-Neoprene	Tampon	Klotz	Placa, Caucho	
9	6101228M1	2	Clamp-Tube-Assy	Collier De Serrage	Klemme	Brida De Fijación	
10	339123X1	2	Bolt M8-20 Z5f	Boulon M8 X 20	Maschschraube M8	Perno	
11	6102461M91	1	Tube Assy	Tuyauterie	Rohrleitung Kplt	Conjunto De Tubería	
12	6102463M91	1	Tube Assy	Tuyauterie	Rohrleitung Kplt	Conjunto De Tubería	
13	3520528M2	1	Clamp Block Ldr Beam	Collier De Serrage	Klemme	Argolla De Cierre	
14	3520534M1	1	Clamp (Zinc Plated)	Collier De Serrage	Klemme	Brida De Fijación	
15	339291X1	1	Bolt M8-55 Z5s	Goupille	Bolzen M8 X 55	Tornillo	
16	6109793M91	1	Hose Assy - Bucket Cyl Rod	Flexible Ass.	Schlauch Kplt	Flexible, Conj.	
17	6109543M91	1	Hose Assy - Bkt Cylinder Head	Flexible Ass.	Schlauch Kplt	Flexible, Conj.	
18	1876229M1	1	Tie 270mm Lk2a	Attache Câble	Kabelbinder	Enlace De Cable	
19	6109420M91	1	Tube-Ldr Hyd Bucket Rod	Tuyauterie	Rohrleitung Kplt	Conjunto De Tubería	
20	6109422M91	1	Tube-Ldr Hyd Bucket HD	Tuyauterie	Rohrleitung Kplt	Conjunto De Tubería	
21	6101897M1	2	Pad-Rubber	Plaque De Caoutchouc	Gummiplatte	Placa, Caucho	
22	6101228M1	3	Clamp-Tube-Assy	Collier De Serrage	Klemme	Brida De Fijación	
23	339124X1	3	Bolt M8-16 Z5f	Goupille	Maschschrb Metr - M8	Tornillo	
24	390972X1	3	Washer M8-17-1 Zwel	Rondelle M8	Scheibe - M8	Arandela	
25	6109424M93	1	Tube Assembly - Loader Hyd 7 In 1 HD	Ensemble Tube	Rohr Kpl	Conjunto De Tubería	H200 7 2060
25	6111904M91	1	Tube Assembly 7 In 1 HD	Ensemble Tube	Rohr Kpl	Conjunto De Tubería	H200 7 2060
26	6111903M91	1	Tube Assembly 7 In 1 Rod	Ensemble Tube	Rohr Kpl	Conjunto De Tubería	H200 7 2060
26	6109426M92	1	Tube Assy (7 In 1 Rod)	Tuyauterie	Rohr Kpl	Conjunto De Tubería	H200 7 2060
27	356447X1	2	Plug 37 Flare	Bouchon	Stopfen	Obturador	



Item	Part No.	Qty.	English	French	German	Spanish	Remarks
1	5000120M91	1	Cylinder Loader Bucket - Hi Spec	L´Hie Hydraulique	Zylinder Hydr.	Gato, Conj.	67006c03.1 1
2	5003936M91	1	Barrel Cylinder	Ensemble De Vérin	Zylinder Kpl.	Gato, Conj.	
3	#TUBE, CYLINDER	1	Tube, Cylinder	Tube, Cylinder	Tube, Cylinder	Tube, Cylinder	Ref. 3
4	3623390M1	2	Bush	Douille	Buechse	Casquillo	
5	339608X1	1	Grease Nipple - M10 X 1 (Zinc)	Nipple De Graissage	Schmiernippel	Engrasador	
6	3186587M1	1	Snap Ring	Anneau D´Arrêt	Sprengring	Anillo De Resorte	
7	3186586M1	1	Ring Cushioning	Anneau	Ring	Aro	
8	3442376M1	1	Ring Piston Guide	Anneau	Ring	Aro	
9	3485249M91	1	Seal Piston	Joint	Dichtung	Junta	
10	#SEAL	1	Seal	Joint Étanchéité	Dichtring	Retén	Ref. 9
11	#SEAL	1	Seal	Joint Étanchéité	Dichtring	Retén	Ref. 9
12	3442376M1	1	Ring Piston Guide	Anneau	Ring	Aro	
13	3402928M1	1	Screw, Socket Head - Piston Locating	Vis Tête Hex	Zylinderschraube	Tornillo	
14	3485147M1	1	Piston	Piston	Kolben	Pistón	
15	359186X1	1	O-Ring	Joint Torique	O-Ring	Junta De Tipo O	
16	359201X1	1	O Ring	Joint Torique	O Ring	Junta De Tipo O	
17	1024334M1	1	Ring, Back-Up	Contre Bague	Stuetzring	Aro	
18	3487909M1	1	O-Ring	Joint Torique	O-Ring	Junta De Tipo O	
19	5003941M1	1	Bearing	Roulement	Lager	Cojinete	
20	3443386M1	1	Retaining Plug	Bouchon	Stopfen	Tapón	
21	3484615M1	1	Guide Ring	Anneau	Ring	Aro	
22	3484055M1	1	Ring Buffer	Anneau	Ring	Aro	
23	3485185M1	1	Seal	Joint D´Arbre	Wellendichtring	Junta	
24	3487015M1	1	Wiper Ring	Anneau	Ring	Aro	
25	3441631M91	1	Piston Rod Assy	Tige De Vérin	Kolbenstange	Vástago Cilindro	
26	#ROD, PISTON	1	Rod, Piston	Rod, Piston	Rod, Piston	Rod, Piston	Ref. 23
27	3623390M1	2	Bush	Douille	Buechse	Casquillo	
28	339608X1	1	Grease Nipple - M10 X 1 (Zinc)	Nipple De Graissage	Schmiernippel	Engrasador	
29	3623397M91	1	Kit Seal	Jeu Étanchéité	Dichtringsatz	Juego De Piezas	

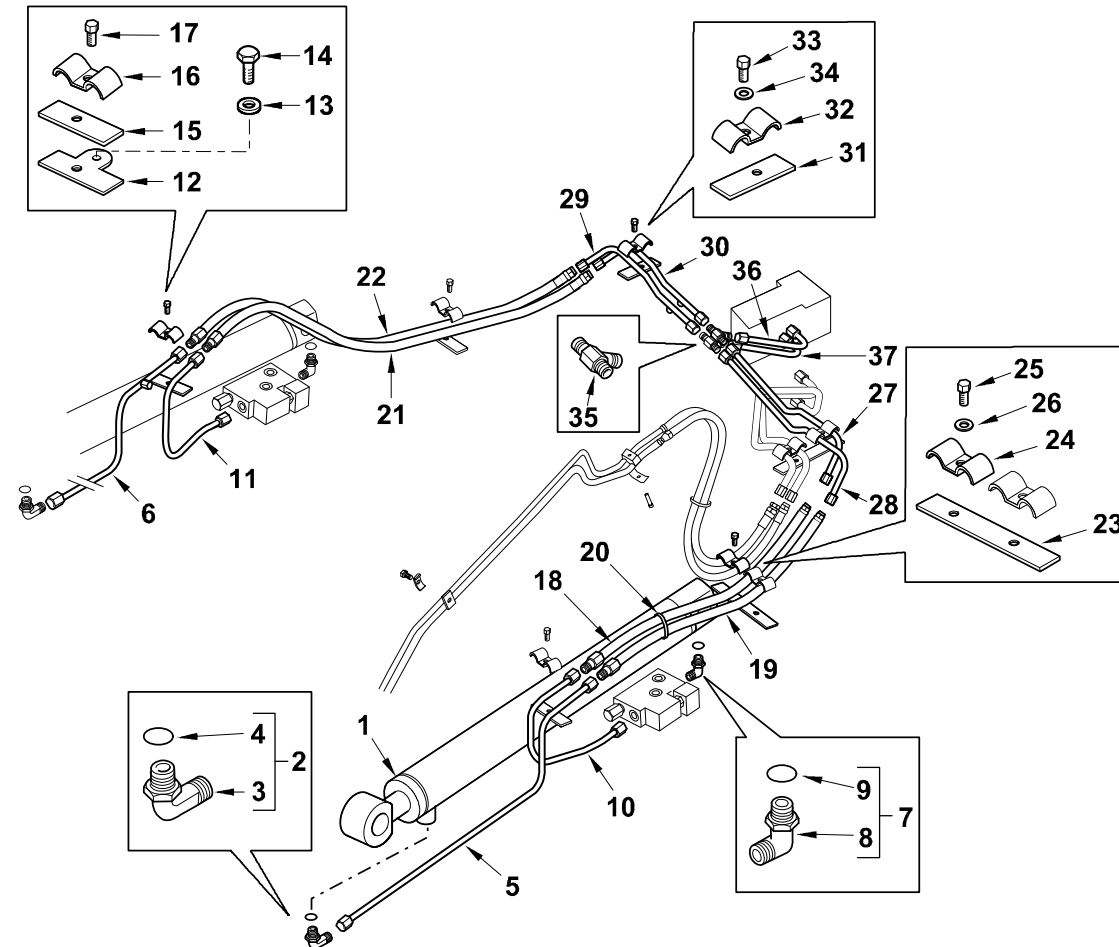




Item	Part No.	Qty.	English	French	German	Spanish	Remarks
1	6111076M91GY03	1	Cylinder Loader Bucket High Spec	Cylindre	Zylinder	Cilindro	
2	6195231M91GY03	1	Tube - S/A (Terex Grey)	Tube - S/A (Terex Grey)	Tube - S/A (Terex Grey)	Tube - S/A (Terex Grey)	
3	6195234M1	4	Bush	Bush	Bush	Bush	
4	6194542M1	2	Nipple - Grease	Graisseur Coude	Nippel	Manguito, Engrasador	
5	6195235M1	1	Ring - Cushion	Ring - Cushion	Ring - Cushion	Ring - Cushion	
6	6195236M1	1	Set Screw - Hex Socket	Set Screw - Hex Socket	Set Screw - Hex Socket	Set Screw - Hex Socket	
7	6195232M1	1	Piston	Piston	Piston	Piston	
8	6194568M1	2	Bearing - Piston	Coussinet	Lager	Teniendo - Pistón	
9	6194567M1	1	O Ring (Std)	Joint Torique	O Ring	Junta De Tipo O	
10	6194566M1	1	Seal - Piston	Joint Étanchéité	Dichtring	Junta	
11	6194554M1	1	Wiper	Essuyeur	Wischer	Raspador, Escobilla	
12	6194551M1	1	Seal- Rod (Secondary)	Joint Étanchéité	Dichtring	Junta	
13	6194638M1	1	Seal - Rod (Primary)	Joint Étanchéité	Dichtring	Junta	
14	6195233M1	1	Cover - H.E.	Cover - H.E.	Cover - H.E.	Cover - H.E.	
15	6195238M1	1	Ring - Back Up	Ring - Back Up	Ring - Back Up	Ring - Back Up	
16	6195237M1	1	O - Ring	O - Ring	O - Ring	O - Ring	
17	6194541M1	1	Bush - Bimetal	Douille	Büchse	Juego De Anillos	
18	6194549M1	1	Ring - Back Up	Contre Bague	Stutzring	ContraJunta	
19	6195193M1	1	O-Ring	O-Ring	O-Ring	O-Ring	
20	6194537M91	1	Rod - Piston	Bielle De Piston	Pleuelstange	Rod - Pistón	
21	6195239M91	1	Seal Kit	Jeu Étancheite	Dichtringsatz	Juego Retenes	

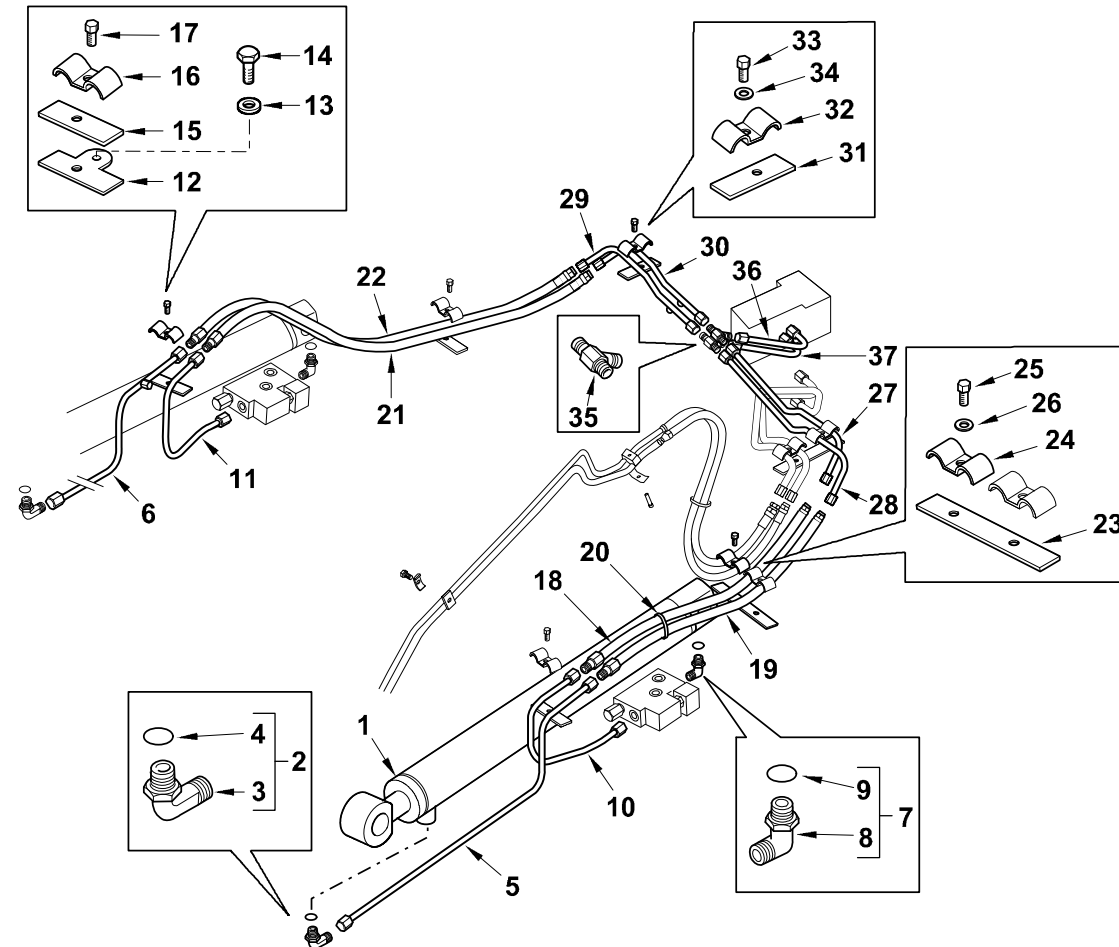


C-67008-01.1-C



Item	Part No.	Qty.	English	French	German	Spanish	Remarks
1	6109553M91	2	Cylinder - Lift High Spec	L'Hie Hydraulique	Zylinder Hydr.	Gato, Conj.	Pacoma
1	6111077M91GY03	2	Cylinder Lift High Spec	Verin Hydraulique	Hydraulikzyl	Cilindro Hidrauli	Wipro
2	835007M91	2	Elbow 90 Degree Adjust	Coude 90°	Kniestück 90°	Codo, 90°	
3	#ELBOW	1	Elbow	Elbow	Elbow	Elbow	Ref. 2
4	835024M1	1	Ring O - Boa	Joint Torique	O Ring	Junta De Tipo O	
5	6111167M91	1	Tube Assembly - Loader	Tuyauterie	Rohrleitung Kplt	Conjunto De Tubería	Wipro
5	6109544M91	1	Tube-Ldr Hyd	Tuyauterie	Rohrleitung Kplt	Conjunto De Tubería	Pacoma
6	6111169M91	1	Tube Assembly - Loader	Tuyauterie	Rohrleitung Kplt	Conjunto De Tubería	Wipro
6	6109548M91	1	Tube-Ldr Hyd	Tuyauterie	Rohrleitung Kplt	Conjunto De Tubería	Pacoma
7	835007M91	2	Elbow 90 Degree Adjust	Coude 90°	Kniestück 90°	Codo, 90°	
8	#ELBOW	1	Elbow	Elbow	Elbow	Elbow	Ref. 7
9	835024M1	1	Ring O - Boa	Joint Torique	O Ring	Junta De Tipo O	
10	6109936M91	1	Tube Assy - Loader Hose Burst	Tuyauterie	Rohrleitung Kplt	Conjunto De Tubería	Pacoma
10	6111171M91	1	Tube Assembly - Loader Hose Burst	Tuyauterie	Rohrleitung Kplt	Conjunto De Tubería	Wipro
11	6111172M91	1	Tube Assembly - Loader Hose Burst	Tuyauterie	Rohrleitung Kplt	Conjunto De Tubería	Wipro
11	6109938M91	1	Tube Assy - Loader Hose Burst	Tuyauterie	Rohrleitung Kplt	Conjunto De Tubería	Pacoma
12	6109791M91	2	Clamp Plate Assy	Ensemble De Plaque	Platte Kpl.	Placa, Conj.	
13	339374X1	2	Washer M8 -21-2 Z	Rondelle Frein - M8	Federring - M8	Arandela De Freno	
14	339123X1	2	Bolt M8-20 Z5f	Boulon M8 X 20	Maschschraube M8	Perno	
15	6106109M1	2	Pad-Neoprene	Tampon	Klotz	Placa, Caucho	
16	6101228M1	2	Clamp-Tube-Assy	Collier De Serrage	Klemme	Brida De Fijación	
17	339123X1	2	Bolt M8-20 Z5f	Boulon M8 X 20	Maschschraube M8	Perno	
18	6109919M91	1	Hose Assy - Lift Cylinder Head	Flexible Ass.	Schlauch Kplt	Flexible, Conj.	
19	6109372M91	1	Hose Assy - Lift Cylinder Rod	Flexible Ass.	Schlauch Kplt	Flexible, Conj.	
20	1876229M1	2	Tie 270mm Lk2a	Attache Câble	Kabelbinder	Enlace De Cable	
21	6109919M91	1	Hose Assy - Lift Cylinder Head	Flexible Ass.	Schlauch Kplt	Flexible, Conj.	
22	6109372M91	1	Hose Assy - Lift Cylinder Rod	Flexible Ass.	Schlauch Kplt	Flexible, Conj.	
23	6101897M1	1	Pad-Rubber	Plaque De Caoutchouc	Gummiplatte	Placa, Caucho	
24	6101228M1	2	Clamp-Tube-Assy	Collier De Serrage	Klemme	Brida De Fijación	
25	339124X1	2	Bolt M8-16 Z5f	Goupille	Maschschrb Metr - M8	Tornillo	

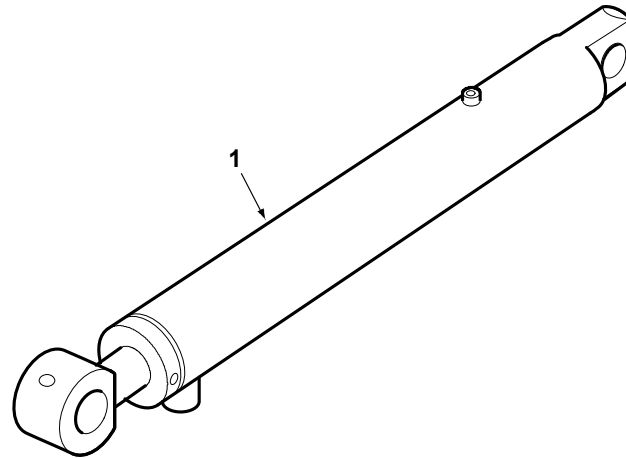
C-67008-01.1-C



Item	Part No.	Qty.	English	French	German	Spanish	Remarks
26	390972X1	2	Washer M8-17-1 Zwl	Rondelle M8	Scheibe - M8	Arandela	
27	6109412M91	1	Tube-Ldr Hyd HD RH	Tuyauterie	Rohrleitung Kplt	Conjunto De Tubería	
28	6109414M91	1	Tube-Ldr Hyd Rod LH	Tuyauterie	Rohrleitung Kplt	Conjunto De Tubería	
29	6109416M91	1	Tube-Ldr Hyd HD RH	Tuyauterie	Rohrleitung Kplt	Conjunto De Tubería	
30	6109418M91	1	Tube-Ldr Hyd Rod LH	Tuyauterie	Rohrleitung Kplt	Conjunto De Tubería	
31	6101897M1	2	Pad-Rubber	Plaque De Caoutchouc	Gummiplatte	Placa, Caucho	
32	6101228M1	4	Clamp-Tube-Assy	Collier De Serrage	Klemme	Brida De Fijación	
33	339124X1	4	Bolt M8-16 Z5f	Goupille	Maschschrb Metr - M8	Tornillo	
34	390972X1	4	Washer M8-17-1 Zwl	Rondelle M8	Scheibe - M8	Arandela	
35	356561X1	2	Tee-Union	Te	T-Stück	Te	
36	6109428M91	1	Tube-Ldr Hyd Rod	Tuyauterie	Rohrleitung Kplt	Conjunto De Tubería	
37	6109430M91	1	Tube-Ldr Hyd HD	Tuyauterie	Rohrleitung Kplt	Conjunto De Tubería	

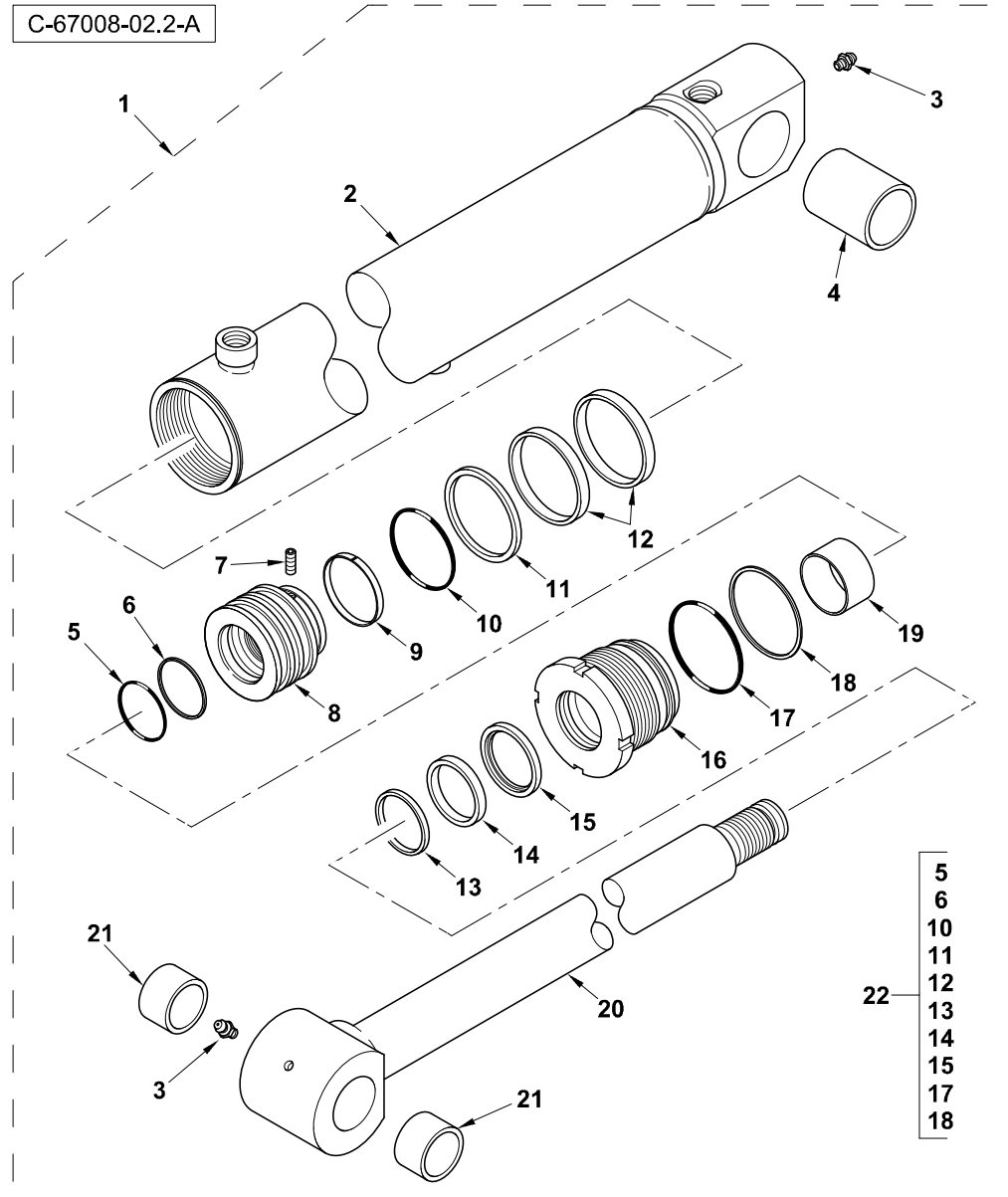


C-67008-02.1-A



Item	Part No.	Qty.	English	French	German	Spanish	Remarks
1	6109553M91	2	Cylinder - Lift High Spec	L'Hie Hydraulique	Zylinder Hydr.	Gato, Conj.	67008c01.1 1
2	#TUBE, CYLINDER	1	Tube, Cylinder	Tube, Cylinder	Tube, Cylinder	Tube, Cylinder	
3	#TUBE, CYLINDER	1	Tube, Cylinder	Tube, Cylinder	Tube, Cylinder	Tube, Cylinder	Ref. 2
4	3623322M1	1	Bush	Douille	Büchse	Anillo	
5	339608X1	1	Grease Nipple - M10 X 1 (Zinc)	Nipple De Graissage	Schmiernippel	Engrasador	
6	3485892M1	1	Guide Ring Piston	Bague D'Étanchéité	Dichtungsring	Anillo, Estanqueidad	
7	3485245M91	1	Seal Assy Piston	Joint Ass.	Dichtung Kplt	Junta, Conj.	
8	3485892M1	1	Guide Ring Piston	Bague D'Étanchéité	Dichtungsring	Anillo, Estanqueidad	
9	3402928M1	1	Screw, Socket Head - Piston Locating	Vis Tête Hex	Zylinderschraube	Tornillo	
10	3487180M1	1	Piston	Piston	Kolben	Pistón De Gato	
11	359183X1	1	O-Ring	Joint Torique	O-Ring	Junta De Tipo O	
12	359193X1	1	O-Ring	Joint Torique	O-Ring	Junta De Tipo O	
13	1606735M1	1	Ring Back-Up	Contre Bague	Stützring	ContraJunta	
14	3623641M1	1	O-Ring	Joint Torique	O-Ring	Junta De Tipo O	
15	3443550M1	1	Ring Rod Guide	Anneau	Ring	Aro	
16	5002159M1	1	Bearing	Roulement	Lager	Palier De Gato	
17	3403067M1	1	Seal	Joint D'Arbre	Wellendichtring	Anillo, Estanqueidad	
18	1606058M1	1	Wiper Ring	Joint De Racleur	Abstreifdichtung	Junta Raspador	
19	3441920M91	1	Piston Rod Assy	Tige De Vérin	Kolbenstange	Vástago Cilindro	
20	#ROD, PISTON	1	Rod, Piston	Rod, Piston	Rod, Piston	Rod, Piston	Ref. 19
21	3623323M1	2	Bush	Douille	Büchse	Anillo	
22	339608X1	1	Grease Nipple - M10 X 1 (Zinc)	Nipple De Graissage	Schmiernippel	Engrasador	
23	5001975M91	1	Kit Seal	Jeu Étanchéité	Dichtringsatz	Juego De Juntas	

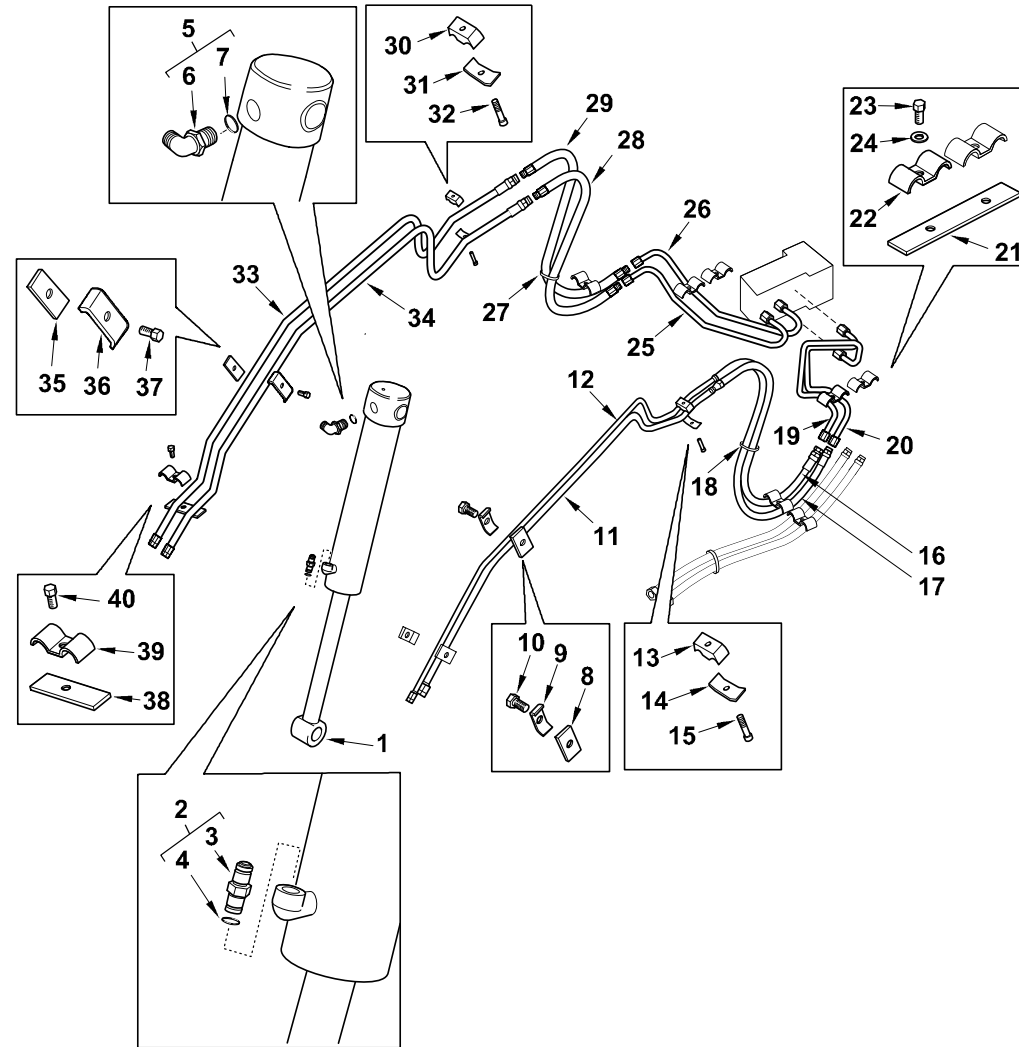




Item	Part No.	Qty.	English	French	German	Spanish	Remarks
1	6111077M91GY03	1	Cylinder Lift High Spec	Verin Hydraulique	Hydraulikzyl	Cilindro Hidrauli	
2	6195241M91GY03	1	Tube - S/A (Terex Grey)	Tube - S/A (Terex Grey)	Tube - S/A (Terex Grey)	Tube - S/A (Terex Grey)	
3	6194542M1	2	Nipple - Grease	Graisseur Coude	Nippel	Manguito, Engrasador	
4	6195244M1	1	Bush	Bush	Bush	Bush	
5	6195247M1	1	O - Ring	O - Ring	O - Ring	O - Ring	
6	6194570M1	1	Ring - Back Up	Contre Bague	Stutzring	ContraJunta	
7	6194619M1	1	Set Screw	Vis	Schraube	Tornillo De Ajuste	
8	6195242M1	1	Piston	Piston	Piston	Piston	
9	6195246M1	1	Ring - Snap	Ring - Snap	Ring - Snap	Ring - Snap	
10	6195186M1	1	O-Ring	O-Ring	O-Ring	O-Ring	
11	6194635M1	1	Seal - Piston	Joint Étanchéité	Dichtring	Junta	
12	6194634M1	2	Bearing - Piston	Coussinet	Lager	Teniendo - Pistón	
13	6194590M1	1	Wiper	Essuyeur	Wischer	Raspador, Escobilla	
14	6194589M1	1	Seal - Rod	Joint Étanchéité	Dichtring	Junta	
15	6194588M1	1	Seal - Rod (Primary)	Joint Étanchéité	Dichtring	Junta	
16	6195243M1	1	Cover - H.E.	Cover - H.E.	Cover - H.E.	Cover - H.E.	
17	6195189M1	1	O-Ring	O-Ring	O-Ring	O-Ring	
18	6194641M1	1	Ring - Back Up	Contre Bague	Stutzring	ContraJunta	
19	6194593M1	1	Bush - Bimetal	Douille	Büchse	Juego De Anillos	
20	6194537M91	1	Rod - Piston	Bielle De Piston	Pleuelstange	Rod - Pistón	
21	6195245M1	2	Bush	Bush	Bush	Bush	
22	6195248M91	1	Seal Kit	Seal Kit	Seal Kit	Seal Kit	



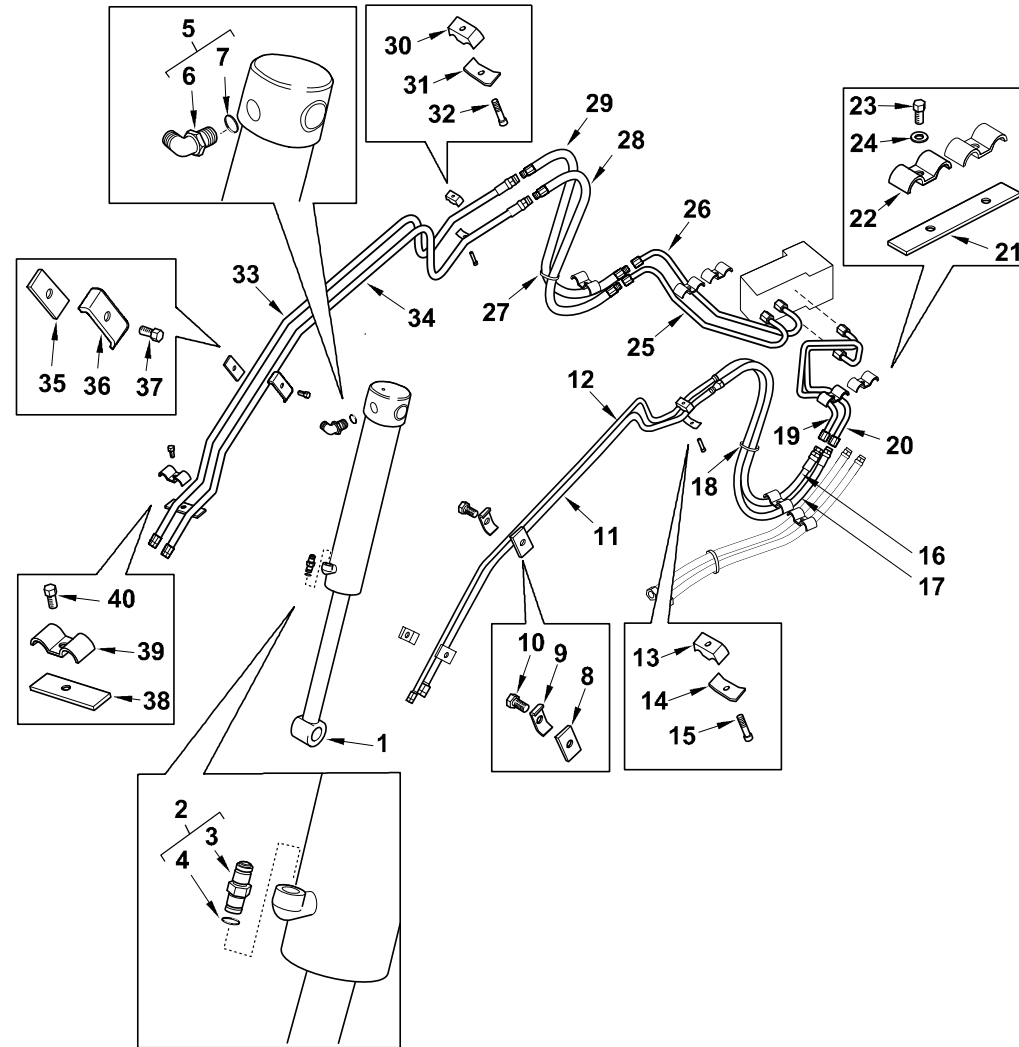
C-67008-03.1-B



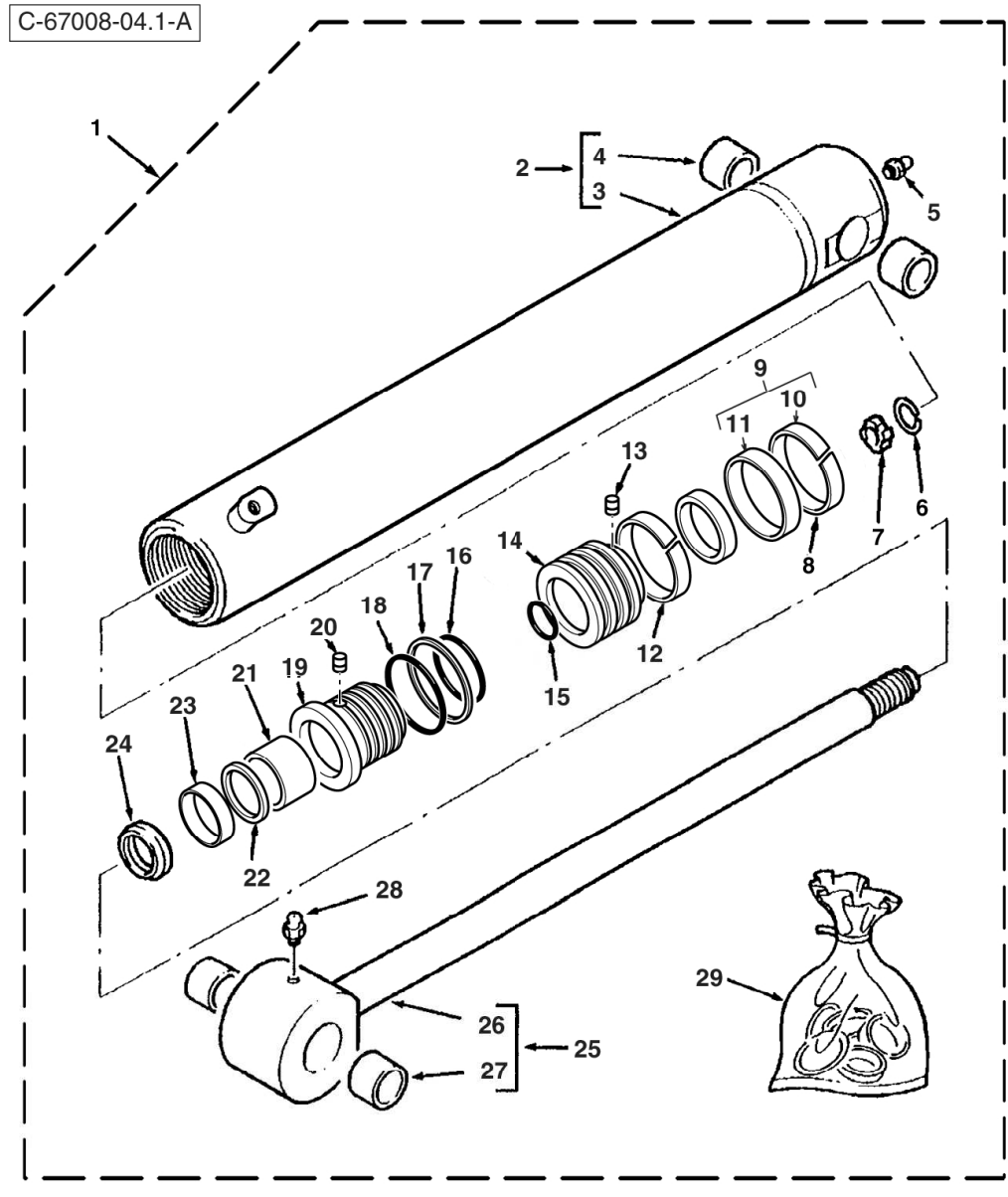
Item	Part No.	Qty.	English	French	German	Spanish	Remarks
1	6111076M91GY03	1	Cylinder Loader Bucket High Spec	Cylindre	Zylinder	Cilindro	Wipro
1	5000120M91	1	Cylinder Loader Bucket - Hi Spec	L' Hie Hydraulique	Zylinder Hydr.	Gato, Conj.	Pacoma
2	835013M91	1	Connector 7/8 Jic	Raccord	Schraubanschluss	Conexión, Conj.	
3	#UNION	1	Union	Union	Union	Union	Ref. 2
4	835024M1	1	Ring O - Boa	Joint Torique	O Ring	Junta De Tipo O	
5	835007M91	1	Elbow 90 Degree Adjust	Coude 90°	Kniestück 90°	Codo, 90°	
6	#ELBOW	1	Elbow	Elbow	Elbow	Elbow	Ref. 6
7	835024M1	1	Ring O - Boa	Joint Torique	O Ring	Junta De Tipo O	
8	6106109M1	2	Pad-Neoprene	Tampon	Klotz	Placa, Caucho	
9	6101228M1	2	Clamp-Tube-Assy	Collier De Serrage	Klemme	Brida De Fijación	
10	339123X1	2	Bolt M8-20 Z5f	Boulon M8 X 20	Maschschraube M8	Perno	
11	6102461M91	1	Tube Assy	Tuyauterie	Rohrleitung Kplt	Conjunto De Tubería	
12	6102463M91	1	Tube Assy	Tuyauterie	Rohrleitung Kplt	Conjunto De Tubería	
13	3520528M2	1	Clamp Block Ldr Beam	Collier De Serrage	Klemme	Argolla De Cierre	
14	3520534M1	1	Clamp (Zinc Plated)	Collier De Serrage	Klemme	Brida De Fijación	
15	339291X1	1	Bolt M8-55 Z5s	Goupille	Bolzen M8 X 55	Tornillo	
16	6109793M91	1	Hose Assy - Bucket Cyl Rod	Flexible Ass.	Schlauch Kplt	Flexible, Conj.	
17	6109543M91	1	Hose Assy - Bkt Cylinder Head	Flexible Ass.	Schlauch Kplt	Flexible, Conj.	
18	1876229M1	1	Tie 270mm Lk2a	Attache Câble	Kabelbinder	Enlace De Cable	
19	6109420M91	1	Tube-Ldr Hyd Bucket Rod	Tuyauterie	Rohrleitung Kplt	Conjunto De Tubería	
20	6109422M91	1	Tube-Ldr Hyd Bucket HD	Tuyauterie	Rohrleitung Kplt	Conjunto De Tubería	
21	6101897M1	1	Pad-Rubber	Plaque De Caoutchouc	Gummiplatte	Placa, Caucho	
22	6101228M1	2	Clamp-Tube-Assy	Collier De Serrage	Klemme	Brida De Fijación	
23	339124X1	2	Bolt M8-16 Z5f	Goupille	Maschschrb Metr - M8	Tornillo	
24	390972X1	2	Washer M8-17-1 Zwel	Rondelle M8	Scheibe - M8	Arandela	
25	6109424M93	1	Tube Assembly - Loader Hyd 7 In 1 HD	Ensemble Tube	Rohr Kpl	Conjunto De Tubería	
26	6109426M92	1	Tube Assy (7 In 1 Rod)	Tuyauterie	Rohr Kpl	Conjunto De Tubería	
27	1876229M1	1	Tie 270mm Lk2a	Attache Câble	Kabelbinder	Enlace De Cable	
28	6109804M91	1	Hose Assy - 7 In 1 Inner	Ensemble Durit	Schlauch Kpl	Flexible, Conj.	
29	6109920M91	1	Hose Assy - 7 In 1 Outer	Ensemble Durit	Schlauch Kpl	Flexible, Conj.	



C-67008-03.1-B

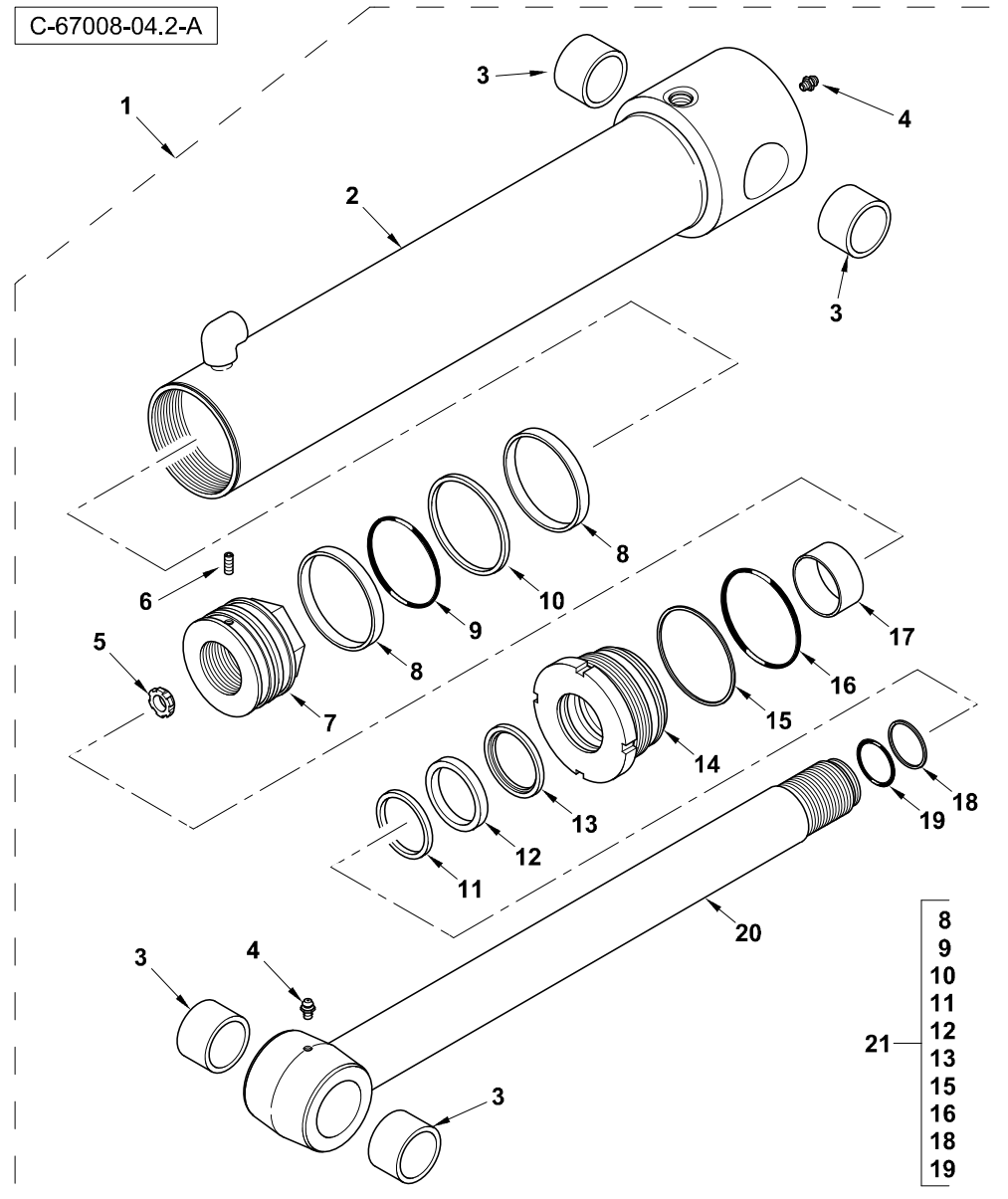


Item	Part No.	Qty.	English	French	German	Spanish	Remarks
30	3520538M2	1	Clamp Block Ldr Beam	Collier De Serrage	Klemme	Argolla De Cierre	
31	3520534M1	1	Clamp (Zinc Plated)	Collier De Serrage	Klemme	Brida De Fijación	
32	339291X1	1	Bolt M8-55 Z5s	Goupille	Bolzen M8 X 55	Tornillo	
33	6101236M91	1	Tube-Assy Bucket 7 In 1	Tuyauterie	Rohrleitung Kplt	Conjunto De Tubería	
34	6101234M91	1	Tube-Assy 7 In 1 Bucket	Tuyauterie	Rohrleitung Kplt	Conjunto De Tubería	
35	6106109M1	1	Pad-Neoprene	Tampon	Klotz	Placa, Caucho	
36	6101228M1	1	Clamp-Tube-Assy	Collier De Serrage	Klemme	Brida De Fijación	
37	339123X1	1	Bolt M8-20 Z5f	Boulon M8 X 20	Maschschraube M8	Perno	
38	6106109M1	1	Pad-Neoprene	Tampon	Klotz	Placa, Caucho	
39	6101228M1	1	Clamp-Tube-Assy	Collier De Serrage	Klemme	Brida De Fijación	
40	339009X1	1	Bolt - M8 X 35	Boulon M8 X 35	Maschschraube M8	Tornillo	



Item	Part No.	Qty.	English	French	German	Spanish	Remarks
1	5000120M91	1	Cylinder Loader Bucket - Hi Spec	L´Hie Hydraulique	Zylinder Hydr.	Gato, Conj.	67008c03.1 1
2	5003936M91	1	Barrel Cylinder	Ensemble De Vérin	Zylinder Kpl.	Gato, Conj.	
3	#TUBE, CYLINDER	1	Tube, Cylinder	Tube, Cylinder	Tube, Cylinder	Tube, Cylinder	Ref. 3
4	3623390M1	2	Bush	Douille	Buechse	Casquillo	
5	339608X1	1	Grease Nipple - M10 X 1 (Zinc)	Nipple De Graissage	Schmiernippel	Engrasador	
6	3186587M1	1	Snap Ring	Anneau D´Arrêt	Sprengring	Anillo De Resorte	
7	3186586M1	1	Ring Cushioning	Anneau	Ring	Aro	
8	3442376M1	1	Ring Piston Guide	Anneau	Ring	Aro	
9	3485249M91	1	Seal Piston	Joint	Dichtung	Junta	
10	#SEAL	1	Seal	Joint Étanchéité	Dichtring	Retén	Ref. 9
11	#SEAL	1	Seal	Joint Étanchéité	Dichtring	Retén	Ref. 9
12	3442376M1	1	Ring Piston Guide	Anneau	Ring	Aro	
13	3402928M1	1	Screw, Socket Head - Piston Locating	Vis Tête Hex	Zylinderschraube	Tornillo	
14	3485147M1	1	Piston	Piston	Kolben	Pistón	
15	359186X1	1	O-Ring	Joint Torique	O-Ring	Junta De Tipo O	
16	359201X1	1	O Ring	Joint Torique	O Ring	Junta De Tipo O	
17	1024334M1	1	Ring, Back-Up	Contre Bague	Stuetzring	Aro	
18	3487909M1	1	O-Ring	Joint Torique	O-Ring	Junta De Tipo O	
19	5003941M1	1	Bearing	Roulement	Lager	Cojinete	
20	3443386M1	1	Retaining Plug	Bouchon	Stopfen	Tapón	
21	3484615M1	1	Guide Ring	Anneau	Ring	Aro	
22	3484055M1	1	Ring Buffer	Anneau	Ring	Aro	
23	3485185M1	1	Seal	Joint D´Arbre	Wellendichtring	Junta	
24	3487015M1	1	Wiper Ring	Anneau	Ring	Aro	
25	3441631M91	1	Piston Rod Assy	Tige De Vérin	Kolbenstange	Vástago Cilindro	
26	#ROD, PISTON	1	Rod, Piston	Rod, Piston	Rod, Piston	Rod, Piston	Ref. 23
27	3623390M1	2	Bush	Douille	Buechse	Casquillo	
28	339608X1	1	Grease Nipple - M10 X 1 (Zinc)	Nipple De Graissage	Schmiernippel	Engrasador	
29	3623397M91	1	Kit Seal	Jeu Étanchéité	Dichtringsatz	Juego De Piezas	

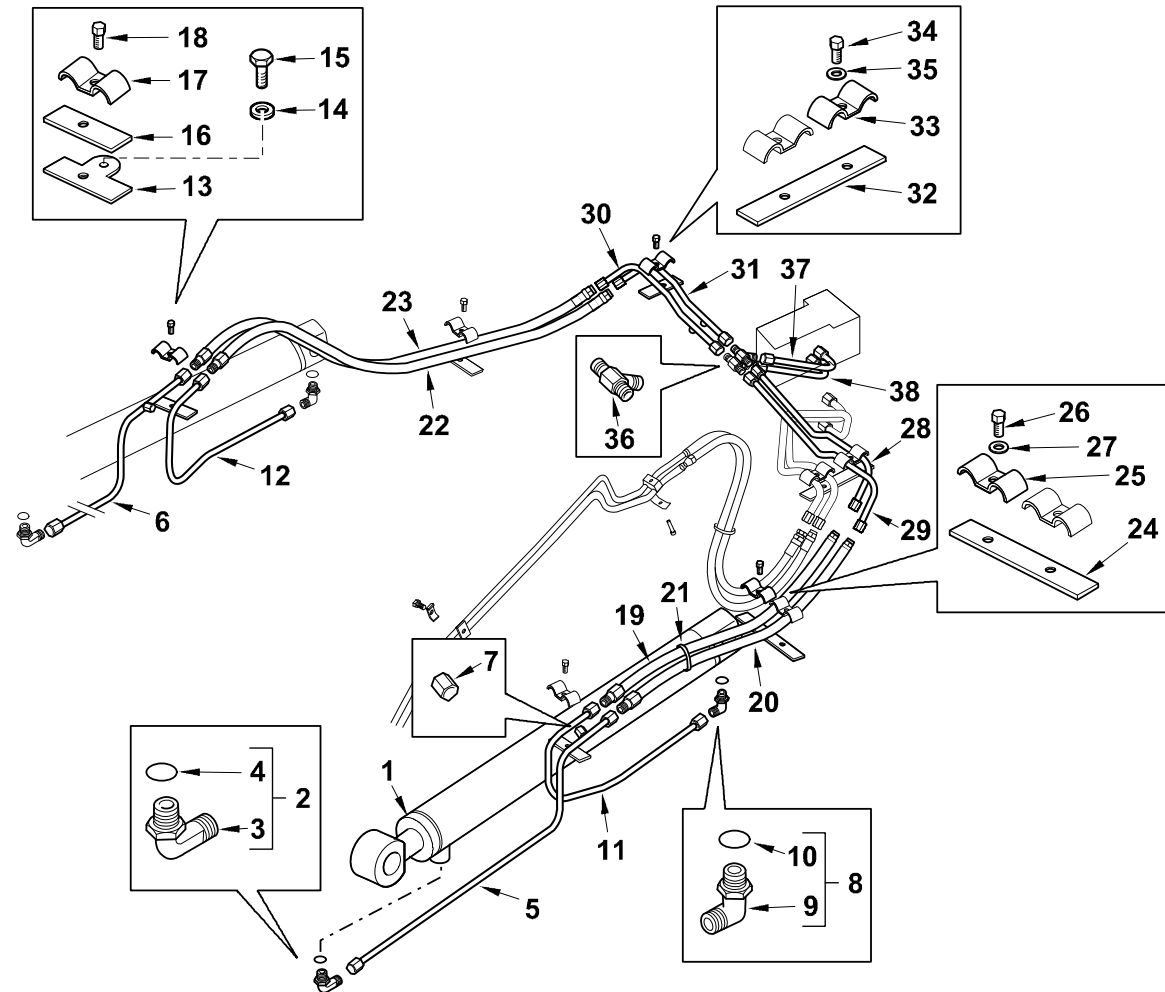




Item	Part No.	Qty.	English	French	German	Spanish	Remarks
1	6111076M91GY03	1	Cylinder Loader Bucket High Spec	Cylindre	Zylinder	Cilindro	
2	6195231M91GY03	1	Tube - S/A (Terex Grey)	Tube - S/A (Terex Grey)	Tube - S/A (Terex Grey)	Tube - S/A (Terex Grey)	
3	6195234M1	4	Bush	Bush	Bush	Bush	
4	6194542M1	2	Nipple - Grease	Graisseur Coude	Nippel	Manguito, Engrasador	
5	6195235M1	1	Ring - Cushion	Ring - Cushion	Ring - Cushion	Ring - Cushion	
6	6195236M1	1	Set Screw - Hex Socket	Set Screw - Hex Socket	Set Screw - Hex Socket	Set Screw - Hex Socket	
7	6195232M1	1	Piston	Piston	Piston	Piston	
8	6194568M1	2	Bearing - Piston	Coussinet	Lager	Teniendo - Pistón	
9	6194567M1	1	O Ring (Std)	Joint Torique	O Ring	Junta De Tipo O	
10	6194566M1	1	Seal - Piston	Joint Étanchéité	Dichtring	Junta	
11	6194554M1	1	Wiper	Essuyeur	Wischer	Raspador, Escobilla	
12	6194551M1	1	Seal- Rod (Secondary)	Joint Étanchéité	Dichtring	Junta	
13	6194638M1	1	Seal - Rod (Primary)	Joint Étanchéité	Dichtring	Junta	
14	6195233M1	1	Cover - H.E.	Cover - H.E.	Cover - H.E.	Cover - H.E.	
15	6195238M1	1	Ring - Back Up	Ring - Back Up	Ring - Back Up	Ring - Back Up	
16	6195237M1	1	O - Ring	O - Ring	O - Ring	O - Ring	
17	6194541M1	1	Bush - Bimetal	Douille	Büchse	Juego De Anillos	
18	6194549M1	1	Ring - Back Up	Contre Bague	Stutzring	ContraJunta	
19	6195193M1	1	O-Ring	O-Ring	O-Ring	O-Ring	
20	6194537M91	1	Rod - Piston	Bielle De Piston	Pleuelstange	Rod - Pistón	
21	6195239M91	1	Seal Kit	Jeu Étancheite	Dichtringsatz	Juego Retenes	



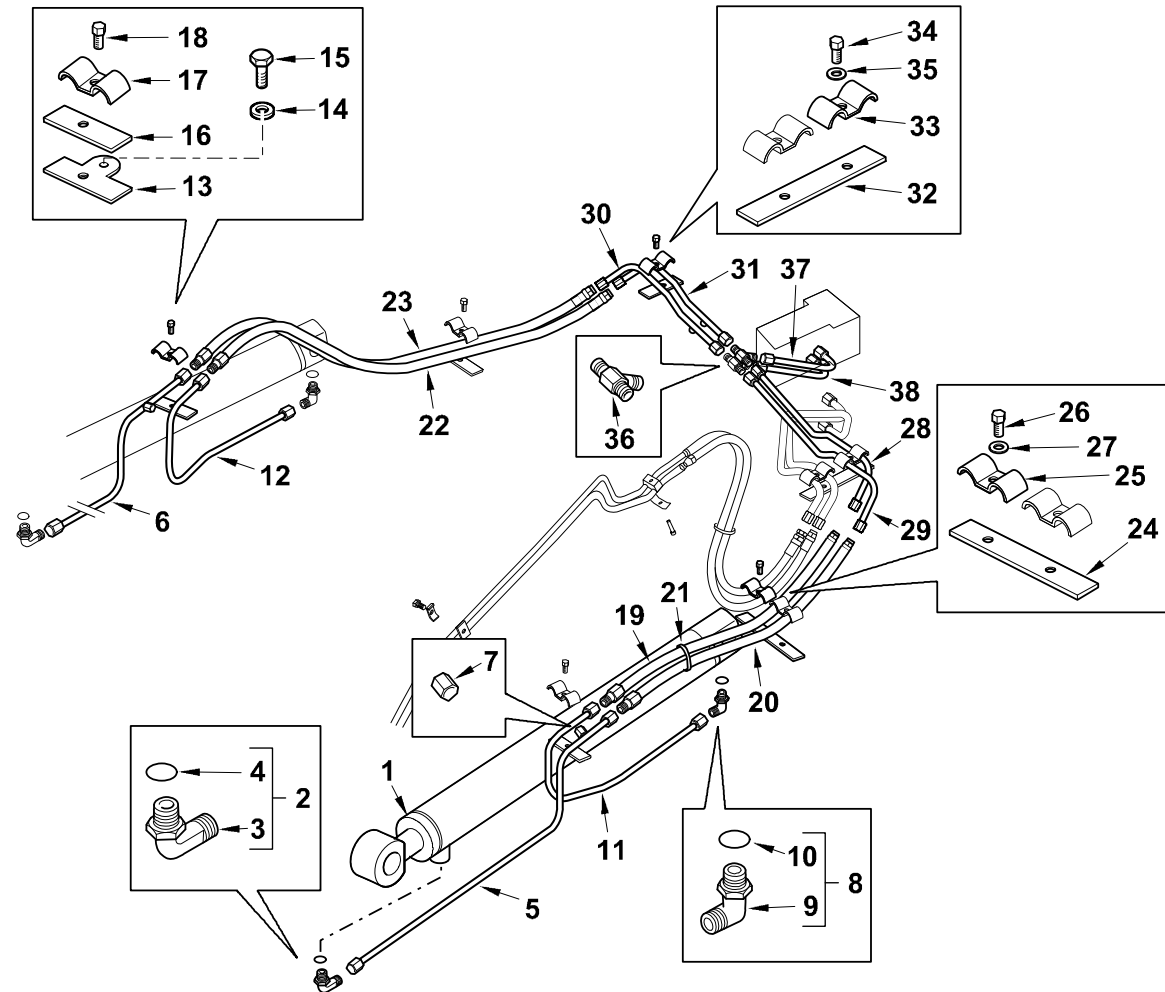
C-67010-01.1-B



Item	Part No.	Qty.	English	French	German	Spanish	Remarks
1	6109553M91	2	Cylinder - Lift High Spec	L'Hie Hydraulique	Zylinder Hydr.	Gato, Conj.	Pacoma
1	6111077M91GY03	1	Cylinder Lift High Spec	Verin Hydraulique	Hydraulikzyl	Cilindro Hidrauli	Wipro
2	835007M91	2	Elbow 90 Degree Adjust	Coude 90°	Kniestück 90°	Codo, 90°	
3	#ELBOW	1	Elbow	Elbow	Elbow	Elbow	Ref. 2
4	835024M1	1	Ring O - Boa	Joint Torique	O Ring	Junta De Tipo O	
5	6109544M91	1	Tube-Ldr Hyd	Tuyauterie	Rohrleitung Kplt	Conjunto De Tubería	Pacoma
5	6111167M91	1	Tube Assembly - Loader	Tuyauterie	Rohrleitung Kplt	Conjunto De Tubería	Wipro
6	6111169M91	1	Tube Assembly - Loader	Tuyauterie	Rohrleitung Kplt	Conjunto De Tubería	Wipro
6	6109548M91	1	Tube-Ldr Hyd	Tuyauterie	Rohrleitung Kplt	Conjunto De Tubería	Pacoma
7	356579X1	2	Cap Tube 9/16	Capuchon	Wetterkappe	Sombbrero	
8	835007M91	2	Elbow 90 Degree Adjust	Coude 90°	Kniestück 90°	Codo, 90°	
9	#ELBOW	1	Elbow	Elbow	Elbow	Elbow	Ref. 8
10	835024M1	1	Ring O - Boa	Joint Torique	O Ring	Junta De Tipo O	
11	6111168M91	1	Tube Assembly - Loader	Tuyauterie	Rohrleitung Kplt	Conjunto De Tubería	Wipro
11	6109546M91	1	Tube-Ldr Hyd	Tuyauterie	Rohrleitung Kplt	Conjunto De Tubería	Pacoma
12	6109550M91	1	Tube-Ldr Hyd	Tuyauterie	Rohrleitung Kplt	Conjunto De Tubería	Pacoma
12	6111170M91	1	Tube Assembly - Loader	Tuyauterie	Rohrleitung Kplt	Conjunto De Tubería	Wipro
13	6109791M91	2	Clamp Plate Assy	Ensemble De Plaque	Platte Kpl.	Placa, Conj.	
14	339374X1	2	Washer M8 -21-2 Z	Rondelle Frein - M8	Federring - M8	Arandela De Freno	
15	339123X1	2	Bolt M8-20 Z5f	Boulon M8 X 20	Maschschraube M8	Perno	
16	6106109M1	2	Pad-Neoprene	Tampon	Klotz	Placa, Caucho	
17	6101228M1	2	Clamp-Tube-Assy	Collier De Serrage	Klemme	Brida De Fijación	
18	339123X1	2	Bolt M8-20 Z5f	Boulon M8 X 20	Maschschraube M8	Perno	
19	6109919M91	1	Hose Assy - Lift Cylinder Head	Flexible Ass.	Schlauch Kplt	Flexible, Conj.	
20	6109372M91	1	Hose Assy - Lift Cylinder Rod	Flexible Ass.	Schlauch Kplt	Flexible, Conj.	
21	1876229M1	2	Tie 270mm Lk2a	Attache Câble	Kabelbinder	Enlace De Cable	
22	6109919M91	1	Hose Assy - Lift Cylinder Head	Flexible Ass.	Schlauch Kplt	Flexible, Conj.	
23	6109372M91	1	Hose Assy - Lift Cylinder Rod	Flexible Ass.	Schlauch Kplt	Flexible, Conj.	
24	6101897M1	1	Pad-Rubber	Plaque De Caoutchouc	Gummiplatte	Placa, Caucho	
25	6101228M1	2	Clamp-Tube-Assy	Collier De Serrage	Klemme	Brida De Fijación	



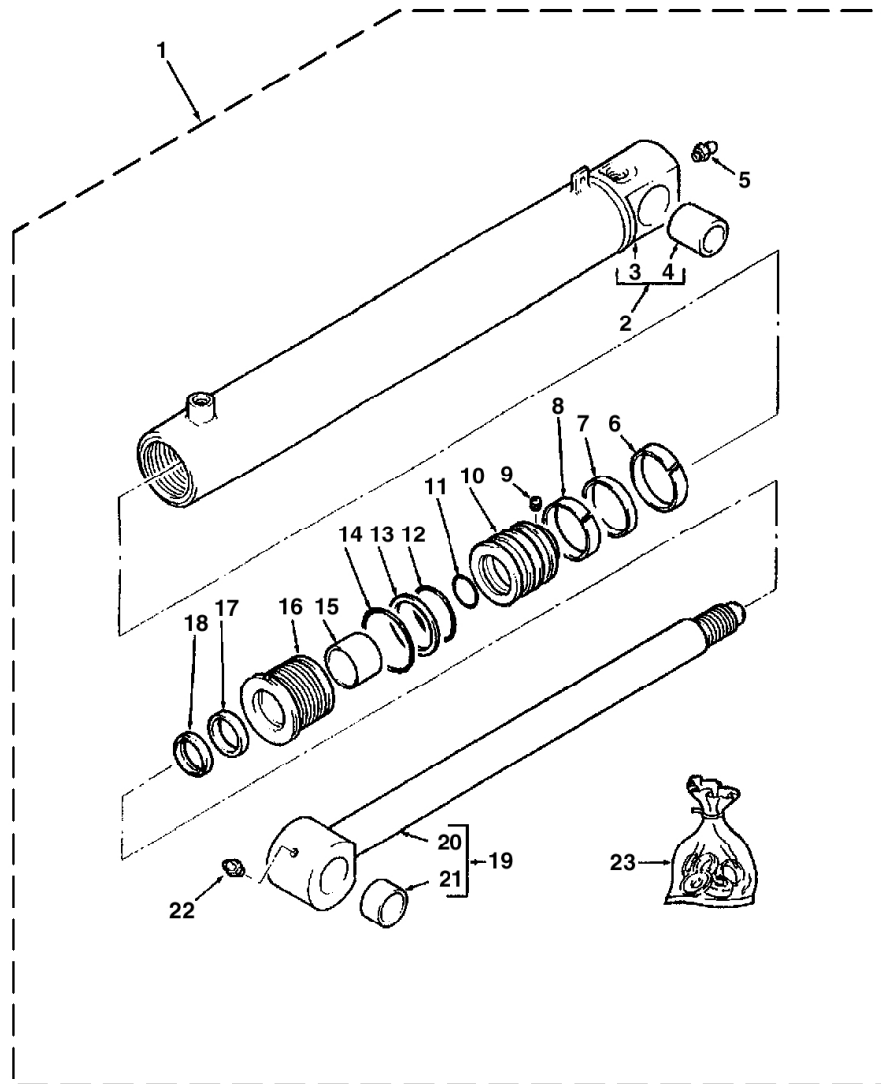
C-67010-01.1-B



Item	Part No.	Qty.	English	French	German	Spanish	Remarks
26	339124X1	2	Bolt M8-16 Z5f	Goupille	Maschschrb Metr - M8	Tornillo	
27	390972X1	2	Washer M8-17-1 Zwel	Rondelle M8	Scheibe - M8	Arandela	
28	6109412M91	1	Tube-Ldr Hyd HD RH	Tuyauterie	Rohrleitung Kplt	Conjunto De Tubería	
29	6109414M91	1	Tube-Ldr Hyd Rod LH	Tuyauterie	Rohrleitung Kplt	Conjunto De Tubería	
30	6109416M91	1	Tube-Ldr Hyd HD RH	Tuyauterie	Rohrleitung Kplt	Conjunto De Tubería	
31	6109418M91	1	Tube-Ldr Hyd Rod LH	Tuyauterie	Rohrleitung Kplt	Conjunto De Tubería	
32	6101897M1	2	Pad-Rubber	Plaque De Caoutchouc	Gummiplatte	Placa, Caucho	
33	6101228M1	4	Clamp-Tube-Assy	Collier De Serrage	Klemme	Brida De Fijación	
34	339124X1	4	Bolt M8-16 Z5f	Goupille	Maschschrb Metr - M8	Tornillo	
35	390972X1	4	Washer M8-17-1 Zwel	Rondelle M8	Scheibe - M8	Arandela	
36	356561X1	2	Tee-Union	Te	T-Stück	Te	
37	6109428M91	1	Tube-Ldr Hyd Rod	Tuyauterie	Rohrleitung Kplt	Conjunto De Tubería	
38	6109430M91	1	Tube-Ldr Hyd HD	Tuyauterie	Rohrleitung Kplt	Conjunto De Tubería	

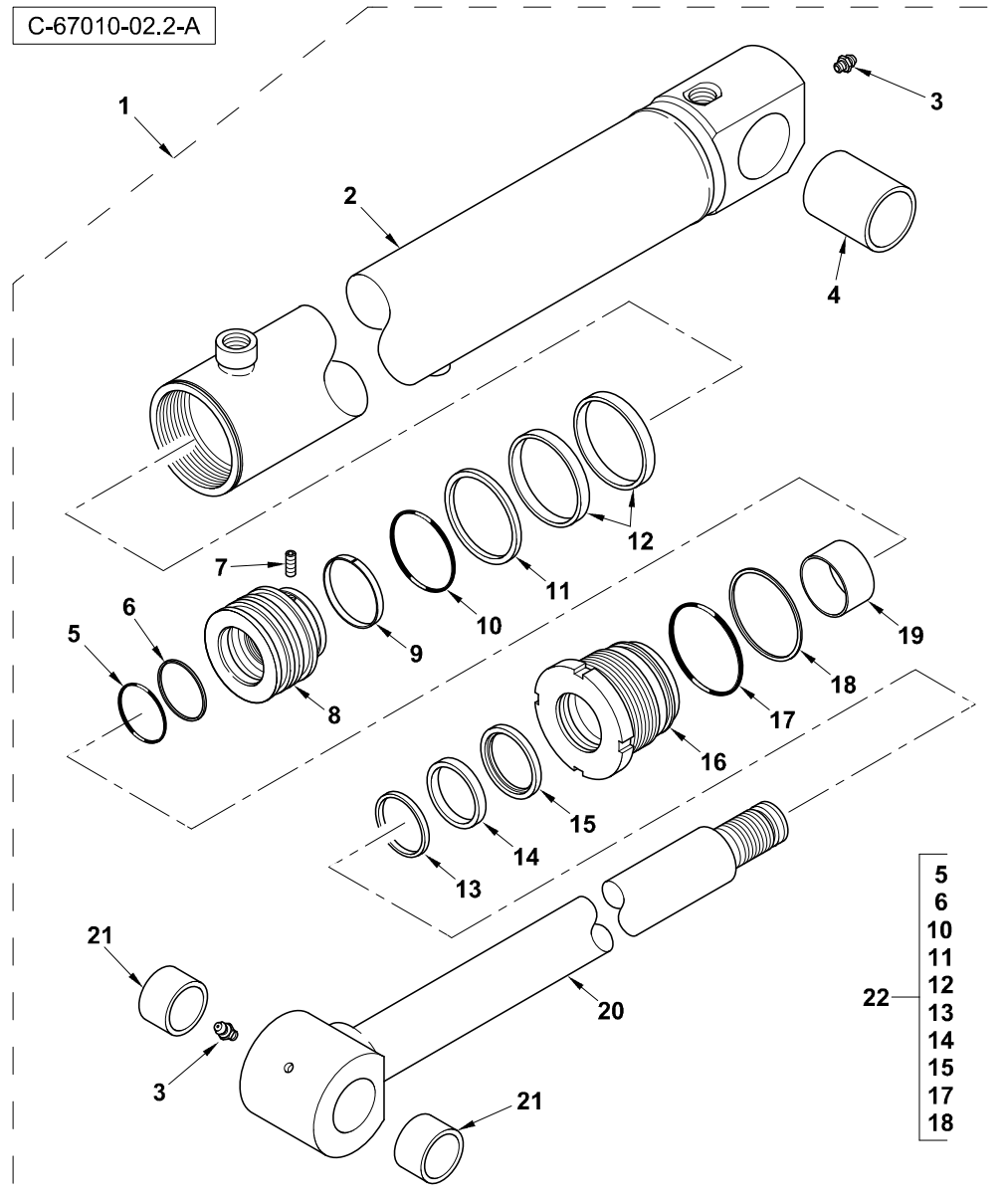


C-67010-02.1-B



Item	Part No.	Qty.	English	French	German	Spanish	Remarks
1	6109553M91	2	Cylinder - Lift High Spec	L'Hie Hydraulique	Zylinder Hydr.	Gato, Conj.	67010c01.1 1
2	#TUBE, CYLINDER	1	Tube, Cylinder	Tube, Cylinder	Tube, Cylinder	Tube, Cylinder	
3	#TUBE, CYLINDER	1	Tube, Cylinder	Tube, Cylinder	Tube, Cylinder	Tube, Cylinder	Ref. 2
4	3623322M1	1	Bush	Douille	Büchse	Anillo	
5	339608X1	1	Grease Nipple - M10 X 1 (Zinc)	Nipple De Graissage	Schmiernippel	Engrasador	
6	3485892M1	1	Guide Ring Piston	Bague D'Étanchéité	Dichtungsring	Anillo, Estanqueidad	
7	3485245M91	1	Seal Assy Piston	Joint Ass.	Dichtung Kplt	Junta, Conj.	
8	3485892M1	1	Guide Ring Piston	Bague D'Étanchéité	Dichtungsring	Anillo, Estanqueidad	
9	3402928M1	1	Screw, Socket Head - Piston Locating	Vis Tête Hex	Zylinderschraube	Tornillo	
10	3487180M1	1	Piston	Piston	Kolben	Pistón De Gato	
11	359183X1	1	O-Ring	Joint Torique	O-Ring	Junta De Tipo O	
12	359193X1	1	O-Ring	Joint Torique	O-Ring	Junta De Tipo O	
13	1606735M1	1	Ring Back-Up	Contre Bague	Stützring	ContraJunta	
14	3623641M1	1	O-Ring	Joint Torique	O-Ring	Junta De Tipo O	
15	3443550M1	1	Ring Rod Guide	Anneau	Ring	Aro	
16	5002159M1	1	Bearing	Roulement	Lager	Palier De Gato	
17	3403067M1	1	Seal	Joint D'Arbre	Wellendichtring	Anillo, Estanqueidad	
18	1606058M1	1	Wiper Ring	Joint De Racleur	Abstreifdichtung	Junta Raspador	
19	3441920M91	1	Piston Rod Assy	Tige De Vérin	Kolbenstange	Vástago Cilindro	
20	#ROD, PISTON	1	Rod, Piston	Rod, Piston	Rod, Piston	Rod, Piston	Ref. 19
21	3623323M1	2	Bush	Douille	Büchse	Anillo	
22	339608X1	1	Grease Nipple - M10 X 1 (Zinc)	Nipple De Graissage	Schmiernippel	Engrasador	
23	5001975M91	1	Kit Seal	Jeu Étanchéité	Dichtringsatz	Juego De Juntas	

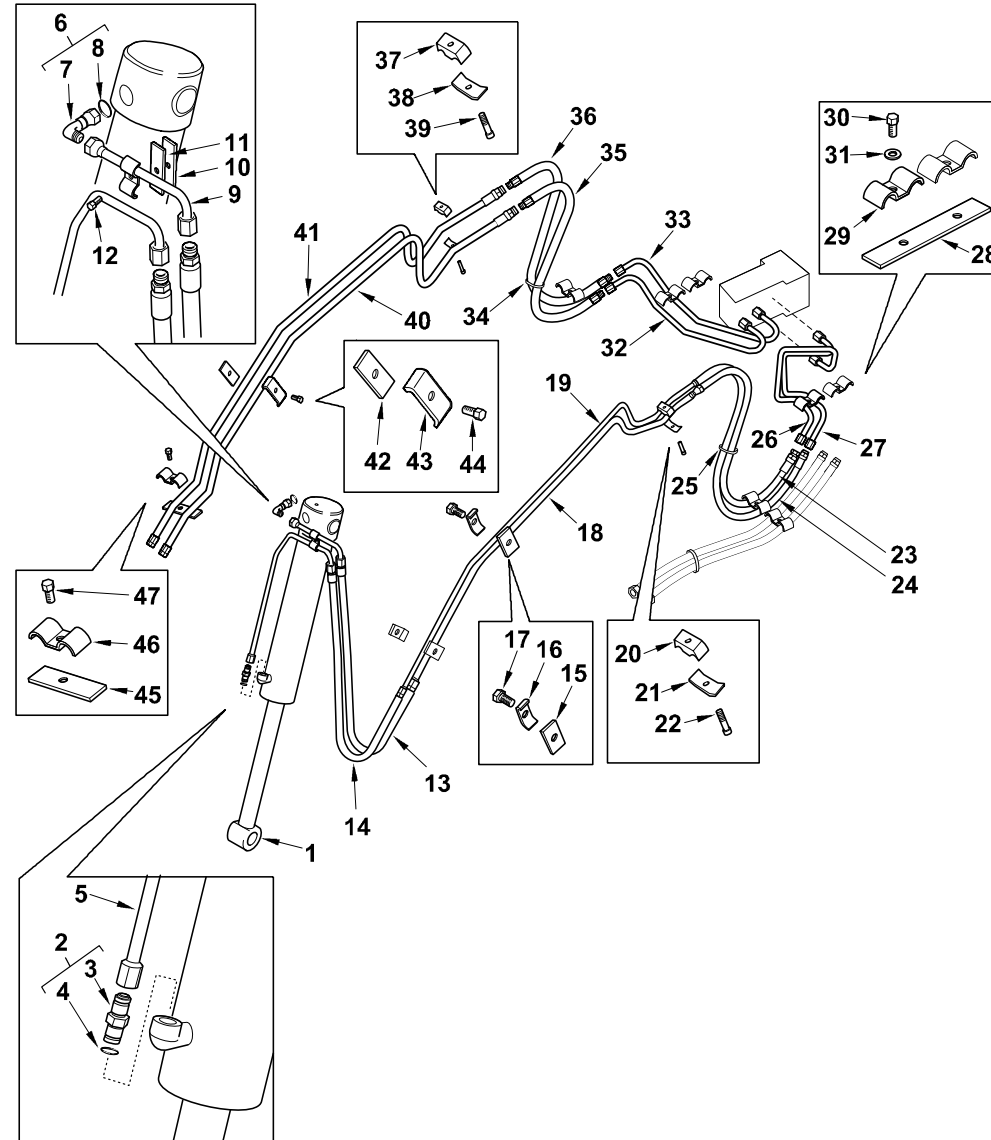




Item	Part No.	Qty.	English	French	German	Spanish	Remarks
1	6111077M91GY03	1	Cylinder Lift High Spec	Verin Hydraulique	Hydraulikzyl	Cilindro Hidrauli	
2	6195241M91GY03	1	Tube - S/A (Terex Grey)	Tube - S/A (Terex Grey)	Tube - S/A (Terex Grey)	Tube - S/A (Terex Grey)	
3	6194542M1	2	Nipple - Grease	Graisseur Coude	Nippel	Manguito, Engrasador	
4	6195244M1	1	Bush	Bush	Bush	Bush	
5	6195247M1	1	O - Ring	O - Ring	O - Ring	O - Ring	
6	6194570M1	1	Ring - Back Up	Contre Bague	Stutzring	ContraJunta	
7	6194619M1	1	Set Screw	Vis	Schraube	Tornillo De Ajuste	
8	6195242M1	1	Piston	Piston	Piston	Piston	
9	6195246M1	1	Ring - Snap	Ring - Snap	Ring - Snap	Ring - Snap	
10	6195186M1	1	O-Ring	O-Ring	O-Ring	O-Ring	
11	6194635M1	1	Seal - Piston	Joint Étanchéité	Dichtring	Junta	
12	6194634M1	2	Bearing - Piston	Coussinet	Lager	Teniendo - Pistón	
13	6194590M1	1	Wiper	Essuyeur	Wischer	Raspador, Escobilla	
14	6194589M1	1	Seal - Rod	Joint Étanchéité	Dichtring	Junta	
15	6194588M1	1	Seal - Rod (Primary)	Joint Étanchéité	Dichtring	Junta	
16	6195243M1	1	Cover - H.E.	Cover - H.E.	Cover - H.E.	Cover - H.E.	
17	6195189M1	1	O-Ring	O-Ring	O-Ring	O-Ring	
18	6194641M1	1	Ring - Back Up	Contre Bague	Stutzring	ContraJunta	
19	6194593M1	1	Bush - Bimetal	Douille	Büchse	Juego De Anillos	
20	6194537M91	1	Rod - Piston	Bielle De Piston	Pleuelstange	Rod - Pistón	
21	6195245M1	2	Bush	Bush	Bush	Bush	
22	6195248M91	1	Seal Kit	Seal Kit	Seal Kit	Seal Kit	



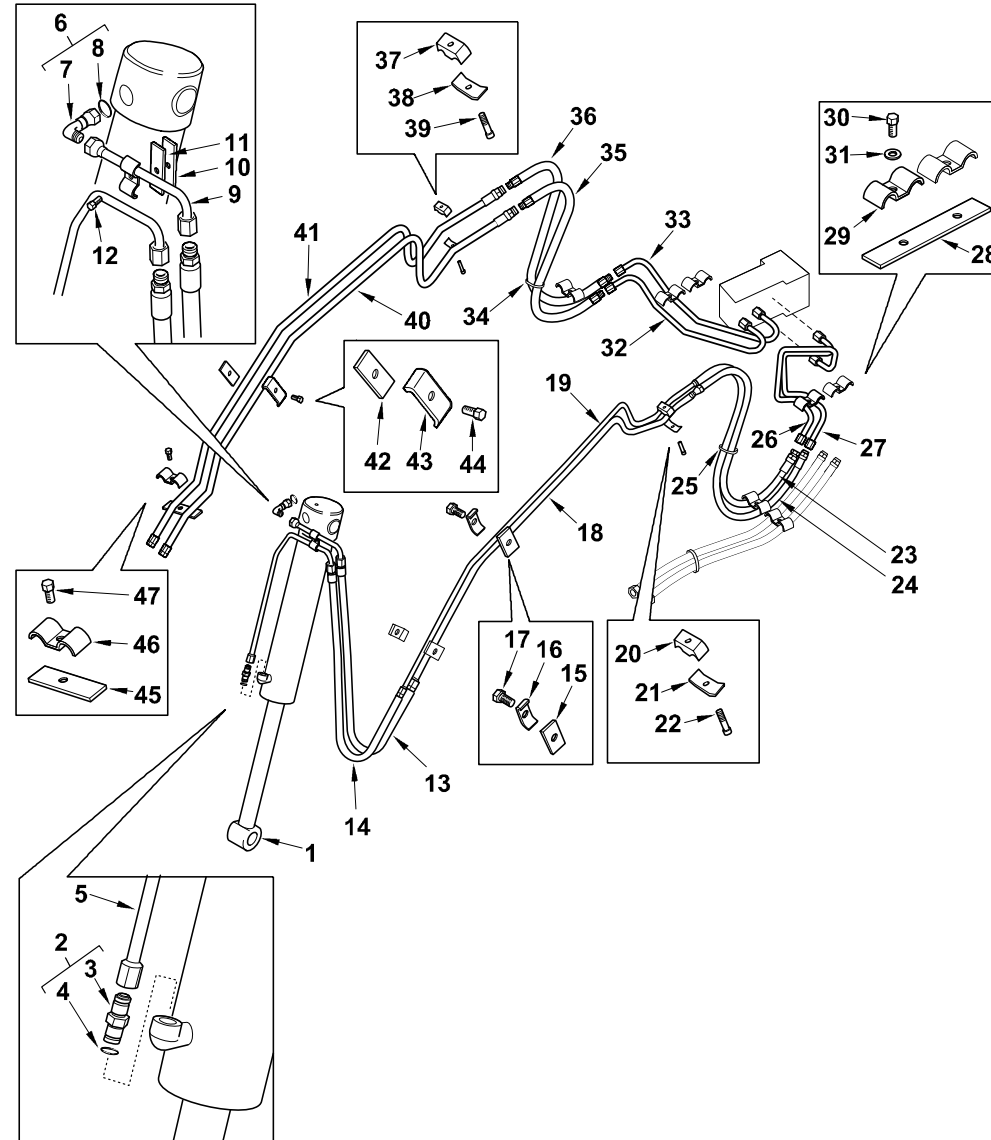
C-67010-03.1-B



Item	Part No.	Qty.	English	French	German	Spanish	Remarks
1	6111076M91GY03	1	Cylinder Loader Bucket High Spec	Cylindre	Zylinder	Cilindro	Wipro
1	5000120M91	1	Cylinder Loader Bucket - Hi Spec	L´Hie Hydraulique	Zylinder Hydr.	Gato, Conj.	Pacoma
2	835013M91	1	Connector 7/8 Jic	Raccord	Schraubanschluss	Conexión, Conj.	
3	#UNION	1	Union	Union	Union	Union	Ref. 2
4	835024M1	1	Ring O - Boa	Joint Torique	O Ring	Junta De Tipo O	
5	6109514M91	1	Tube-Ldr Hyd Bucket Rod	Tuyauterie	Rohrleitung Kplt	Conjunto De Tubería	
6	835007M91	1	Elbow 90 Degree Adjust	Coude 90°	Kniestück 90°	Codo, 90°	
7	#ELBOW	1	Elbow	Elbow	Elbow	Elbow	Ref. 6
8	835024M1	1	Ring O - Boa	Joint Torique	O Ring	Junta De Tipo O	
9	6109536M91	1	Tube Assy - Bucket Head	Tuyauterie	Rohrleitung Kplt	Conjunto De Tubería	
10	6109526M91	1	Clamp Plate Assy	Ensemble De Plaque	Platte Kpl.	Placa, Conj.	
11	6106109M1	1	Pad-Neoprene	Tampon	Klotz	Placa, Caucho	
12	339761X1	1	Bolt M8-25 Z5f	Goupille	Bolzen M8 X 25	Tornillo	
13	6109530M91	1	Hose Assy - Bucket Cyl Head	Flexible Ass.	Schlauch Kplt	Flexible, Conj.	
14	6109529M91	1	Hose Assy - Bucket Cyl Rod	Flexible Ass.	Schlauch Kplt	Flexible, Conj.	
15	6106109M1	2	Pad-Neoprene	Tampon	Klotz	Placa, Caucho	
16	6101228M1	2	Clamp-Tube-Assy	Collier De Serrage	Klemme	Brida De Fijación	
17	339123X1	2	Bolt M8-20 Z5f	Boulon M8 X 20	Maschschraube M8	Perno	
18	6102461M91	1	Tube Assy	Tuyauterie	Rohrleitung Kplt	Conjunto De Tubería	
19	6102463M91	1	Tube Assy	Tuyauterie	Rohrleitung Kplt	Conjunto De Tubería	
20	3520528M2	1	Clamp Block Ldr Beam	Collier De Serrage	Klemme	Argolla De Cierre	
21	3520534M1	1	Clamp (Zinc Plated)	Collier De Serrage	Klemme	Brida De Fijación	
22	339291X1	1	Bolt M8-55 Z5s	Goupille	Bolzen M8 X 55	Tornillo	
23	6109793M91	1	Hose Assy - Bucket Cyl Rod	Flexible Ass.	Schlauch Kplt	Flexible, Conj.	
24	6109543M91	1	Hose Assy - Bkt Cylinder Head	Flexible Ass.	Schlauch Kplt	Flexible, Conj.	
25	1876229M1	1	Tie 270mm Lk2a	Attache Câble	Kabelbinder	Enlace De Cable	
26	6109420M91	1	Tube-Ldr Hyd Bucket Rod	Tuyauterie	Rohrleitung Kplt	Conjunto De Tubería	
27	6109422M91	1	Tube-Ldr Hyd Bucket HD	Tuyauterie	Rohrleitung Kplt	Conjunto De Tubería	
28	6101897M1	1	Pad-Rubber	Plaque De Caoutchouc	Gummiplatte	Placa, Caucho	
29	6101228M1	2	Clamp-Tube-Assy	Collier De Serrage	Klemme	Brida De Fijación	

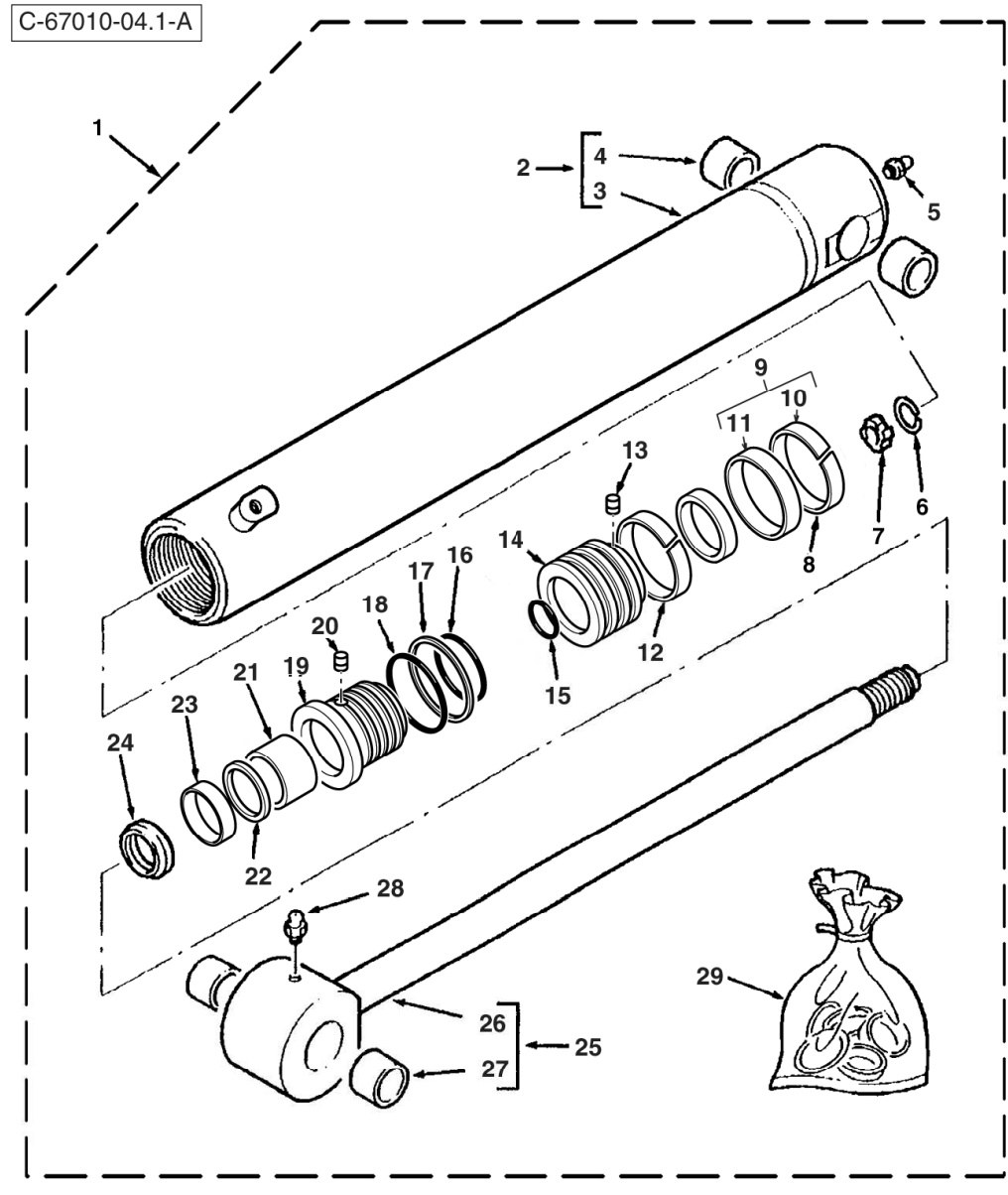


C-67010-03.1-B



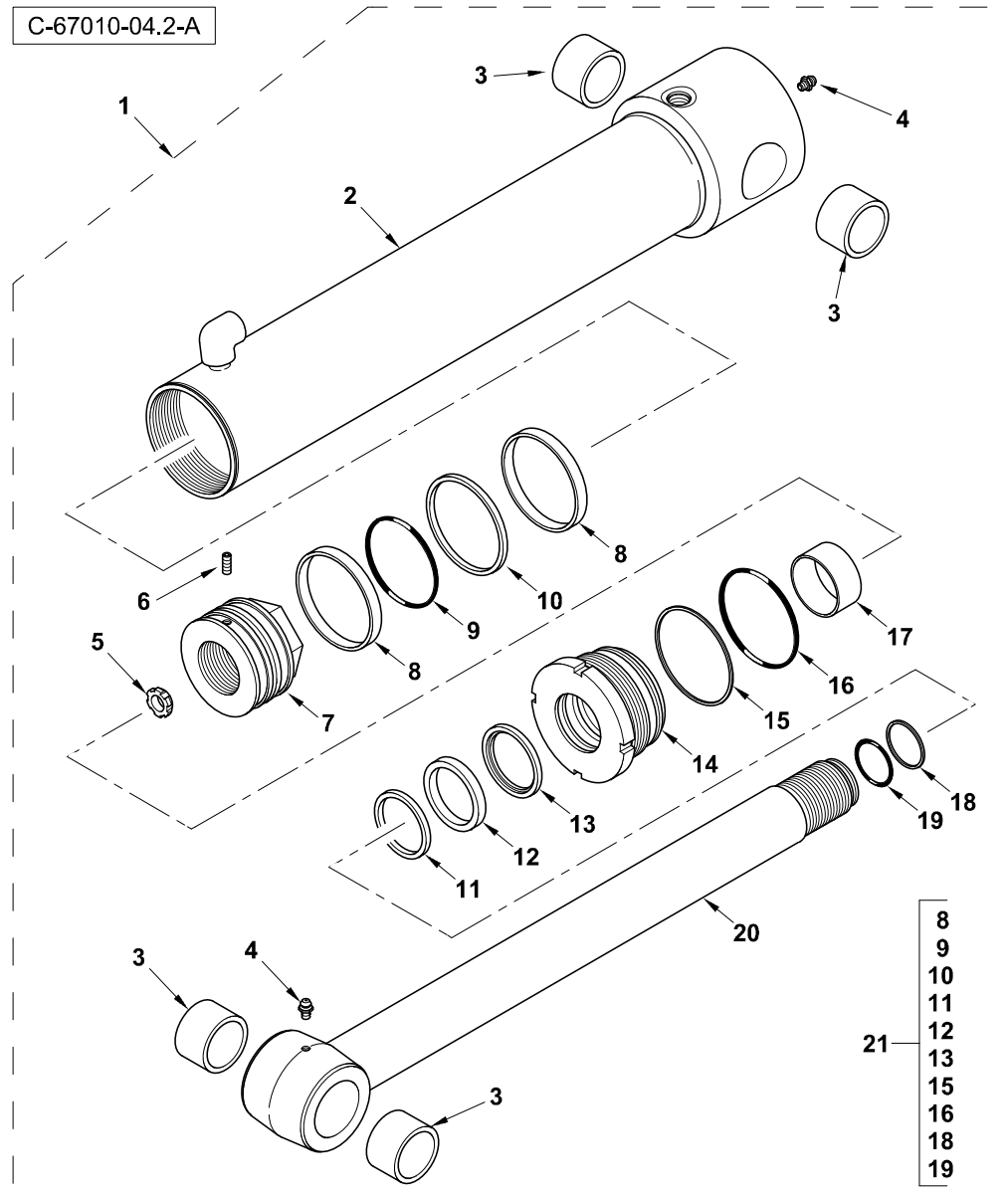
Item	Part No.	Qty.	English	French	German	Spanish	Remarks
30	339124X1	2	Bolt M8-16 Z5f	Goupille	Maschschrb Metr - M8	Tornillo	
31	390972X1	2	Washer M8-17-1 Zwl	Rondelle M8	Scheibe - M8	Arandela	
32	6111904M91	1	Tube Assembly 7 In 1 HD	Ensemble Tube	Rohr Kpl	Conjunto De Tubería	H200 7 2060
32	6109424M93	1	Tube Assembly - Loader Hyd 7 In 1 HD	Ensemble Tube	Rohr Kpl	Conjunto De Tubería	H200 7 2060
33	6111903M91	1	Tube Assembly 7 In 1 Rod	Ensemble Tube	Rohr Kpl	Conjunto De Tubería	H200 7 2060
33	6109426M92	1	Tube Assy (7 In 1 Rod)	Tuyauterie	Rohr Kpl	Conjunto De Tubería	H200 7 2060
34	1876229M1	1	Tie 270mm Lk2a	Attache Câble	Kabelbinder	Enlace De Cable	
35	6109804M91	1	Hose Assy - 7 In 1 Inner	Ensemble Durit	Schlauch Kpl	Flexible, Conj.	
36	6109920M91	1	Hose Assy - 7 In 1 Outer	Ensemble Durit	Schlauch Kpl	Flexible, Conj.	
37	3520538M2	1	Clamp Block Ldr Beam	Collier De Serrage	Klemme	Argolla De Cierre	
38	3520534M1	1	Clamp (Zinc Plated)	Collier De Serrage	Klemme	Brida De Fijación	
39	339291X1	1	Bolt M8-55 Z5s	Goupille	Bolzen M8 X 55	Tornillo	
40	6101236M91	1	Tube-Assy Bucket 7 In 1	Tuyauterie	Rohrleitung Kplt	Conjunto De Tubería	
41	6101234M91	1	Tube-Assy 7 In 1 Bucket	Tuyauterie	Rohrleitung Kplt	Conjunto De Tubería	
42	6106109M1	1	Pad-Neoprene	Tampon	Klotz	Placa, Caucho	
43	6101228M1	1	Clamp-Tube-Assy	Collier De Serrage	Klemme	Brida De Fijación	
44	339123X1	1	Bolt M8-20 Z5f	Boulon M8 X 20	Maschschraube M8	Perno	
45	6106109M1	1	Pad-Neoprene	Tampon	Klotz	Placa, Caucho	
46	6101228M1	1	Clamp-Tube-Assy	Collier De Serrage	Klemme	Brida De Fijación	
47	339009X1	1	Bolt - M8 X 35	Boulon M8 X 35	Maschschraube M8	Tornillo	
48	356447X1	2	Plug 37 Flare	Bouchon	Stopfen	Obturador	





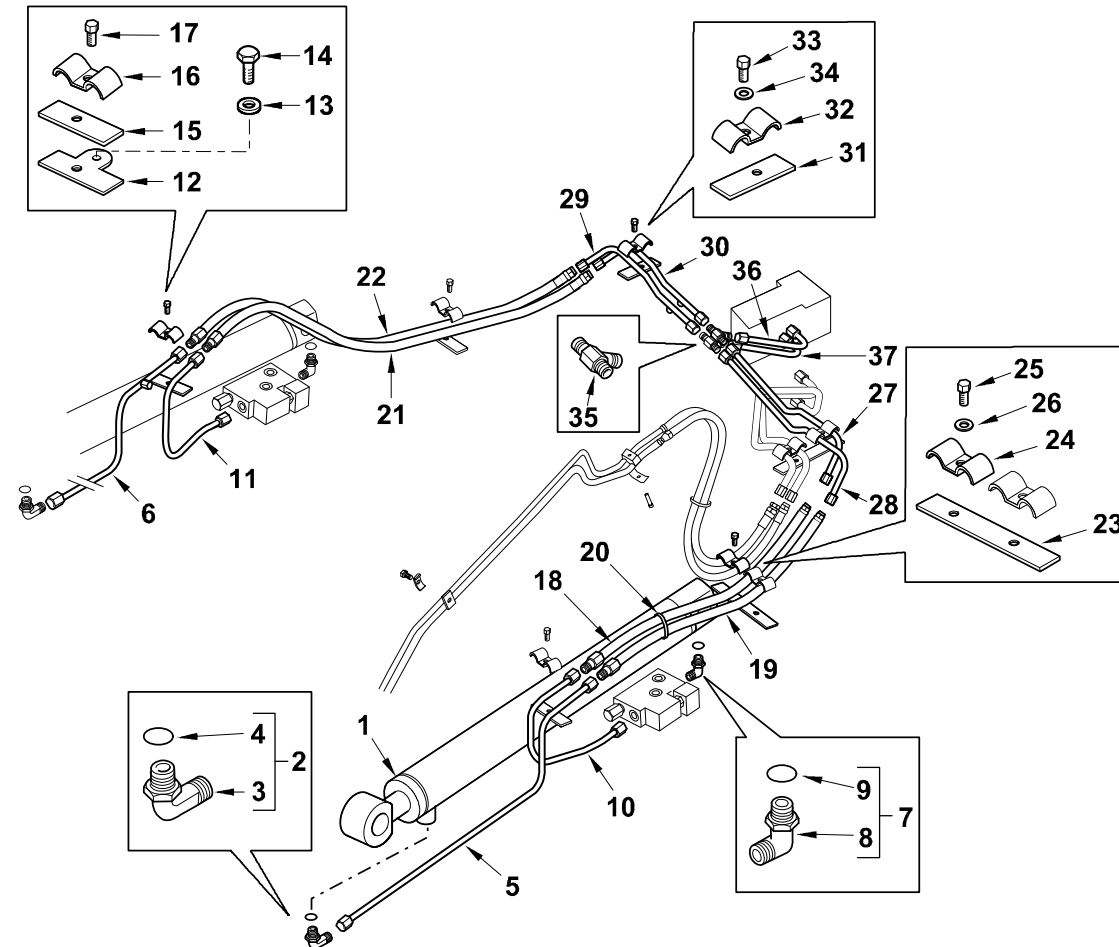
Item	Part No.	Qty.	English	French	German	Spanish	Remarks
1	5000120M91	1	Cylinder Loader Bucket - Hi Spec	L'Hie Hydraulique	Zylinder Hydr.	Gato, Conj.	67010c03.1 1
2	5003936M91	1	Barrel Cylinder	Ensemble De Vérin	Zylinder Kpl.	Gato, Conj.	
3	#TUBE, CYLINDER	1	Tube, Cylinder	Tube, Cylinder	Tube, Cylinder	Tube, Cylinder	Ref. 3
4	3623390M1	2	Bush	Douille	Buechse	Casquillo	
5	339608X1	1	Grease Nipple - M10 X 1 (Zinc)	Nipple De Graissage	Schmiernippel	Engrasador	
6	3186587M1	1	Snap Ring	Anneau D'Arrêt	Sprengring	Anillo De Resorte	
7	3186586M1	1	Ring Cushioning	Anneau	Ring	Aro	
8	3442376M1	1	Ring Piston Guide	Anneau	Ring	Aro	
9	3485249M91	1	Seal Piston	Joint	Dichtung	Junta	
10	#SEAL	1	Seal	Joint Étanchéité	Dichtring	Retén	Ref. 9
11	#SEAL	1	Seal	Joint Étanchéité	Dichtring	Retén	Ref. 9
12	3442376M1	1	Ring Piston Guide	Anneau	Ring	Aro	
13	3402928M1	1	Screw, Socket Head - Piston Locating	Vis Tête Hex	Zylinderschraube	Tornillo	
14	3485147M1	1	Piston	Piston	Kolben	Pistón	
15	359186X1	1	O-Ring	Joint Torique	O-Ring	Junta De Tipo O	
16	359201X1	1	O Ring	Joint Torique	O Ring	Junta De Tipo O	
17	1024334M1	1	Ring, Back-Up	Contre Bague	Stuetzring	Aro	
18	3487909M1	1	O-Ring	Joint Torique	O-Ring	Junta De Tipo O	
19	5003941M1	1	Bearing	Roulement	Lager	Cojinete	
20	3443386M1	1	Retaining Plug	Bouchon	Stopfen	Tapón	
21	3484615M1	1	Guide Ring	Anneau	Ring	Aro	
22	3484055M1	1	Ring Buffer	Anneau	Ring	Aro	
23	3485185M1	1	Seal	Joint D'Arbre	Wellendichtring	Junta	
24	3487015M1	1	Wiper Ring	Anneau	Ring	Aro	
25	3441631M91	1	Piston Rod Assy	Tige De Vérin	Kolbenstange	Vástago Cilindro	
26	#ROD, PISTON	1	Rod, Piston	Rod, Piston	Rod, Piston	Rod, Piston	Ref. 23
27	3623390M1	2	Bush	Douille	Buechse	Casquillo	
28	339608X1	1	Grease Nipple - M10 X 1 (Zinc)	Nipple De Graissage	Schmiernippel	Engrasador	
29	3623397M91	1	Kit Seal	Jeu Étanchéité	Dichtringsatz	Juego De Piezas	





Item	Part No.	Qty.	English	French	German	Spanish	Remarks
1	6111076M91GY03	1	Cylinder Loader Bucket High Spec	Cylindre	Zylinder	Cilindro	
2	6195231M91GY03	1	Tube - S/A (Terex Grey)	Tube - S/A (Terex Grey)	Tube - S/A (Terex Grey)	Tube - S/A (Terex Grey)	
3	6195234M1	4	Bush	Bush	Bush	Bush	
4	6194542M1	2	Nipple - Grease	Graisseur Coude	Nippel	Manguito, Engrasador	
5	6195235M1	1	Ring - Cushion	Ring - Cushion	Ring - Cushion	Ring - Cushion	
6	6195236M1	1	Set Screw - Hex Socket	Set Screw - Hex Socket	Set Screw - Hex Socket	Set Screw - Hex Socket	
7	6195232M1	1	Piston	Piston	Piston	Piston	
8	6194568M1	2	Bearing - Piston	Coussinet	Lager	Teniendo - Pistón	
9	6194567M1	1	O Ring (Std)	Joint Torique	O Ring	Junta De Tipo O	
10	6194566M1	1	Seal - Piston	Joint Étanchéité	Dichtring	Junta	
11	6194554M1	1	Wiper	Essuyeur	Wischer	Raspador, Escobilla	
12	6194551M1	1	Seal- Rod (Secondary)	Joint Étanchéité	Dichtring	Junta	
13	6194638M1	1	Seal - Rod (Primary)	Joint Étanchéité	Dichtring	Junta	
14	6195233M1	1	Cover - H.E.	Cover - H.E.	Cover - H.E.	Cover - H.E.	
15	6195238M1	1	Ring - Back Up	Ring - Back Up	Ring - Back Up	Ring - Back Up	
16	6195237M1	1	O - Ring	O - Ring	O - Ring	O - Ring	
17	6194541M1	1	Bush - Bimetal	Douille	Büchse	Juego De Anillos	
18	6194549M1	1	Ring - Back Up	Contre Bague	Stutzring	ContraJunta	
19	6195193M1	1	O-Ring	O-Ring	O-Ring	O-Ring	
20	6194537M91	1	Rod - Piston	Bielle De Piston	Pleuelstange	Rod - Pistón	
21	6195239M91	1	Seal Kit	Jeu Étancheite	Dichtringsatz	Juego Retenes	

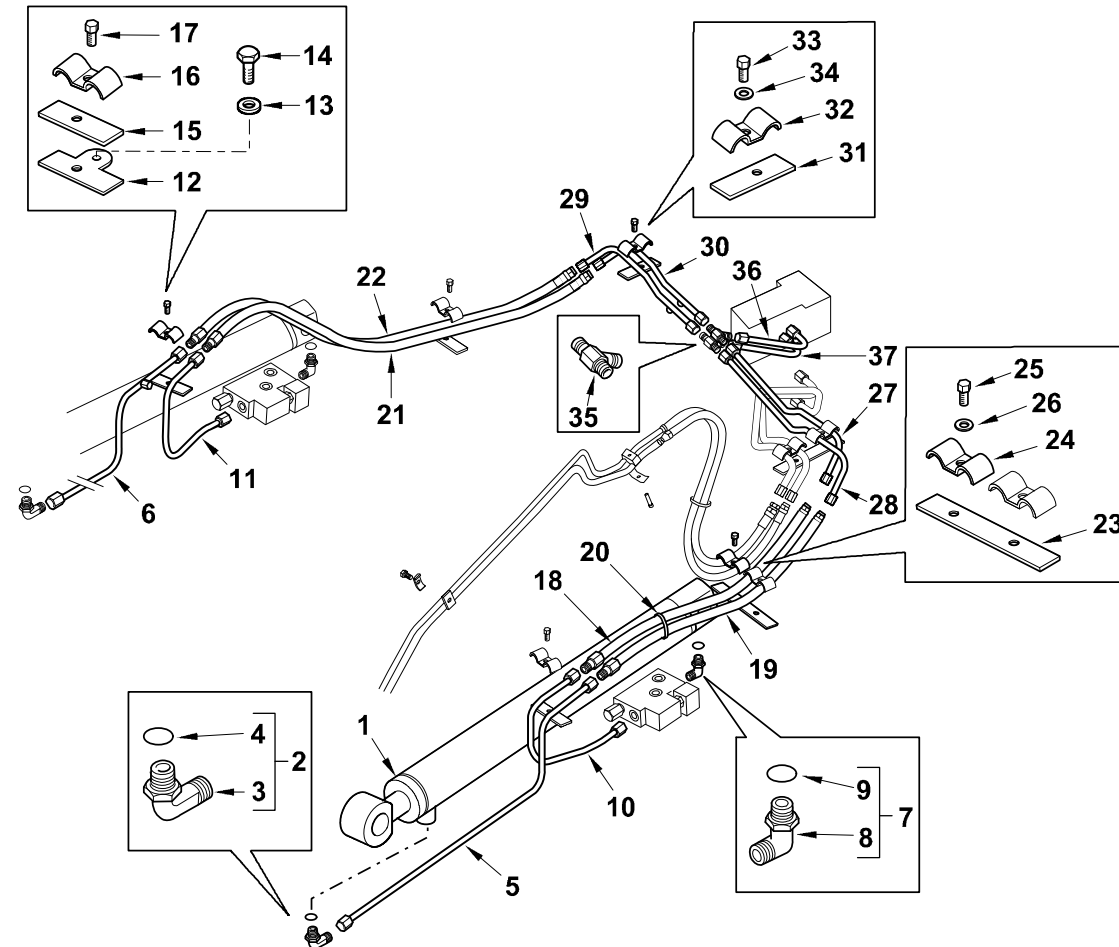
C-67012-01.1-C



Item	Part No.	Qty.	English	French	German	Spanish	Remarks
1	6109553M91	2	Cylinder - Lift High Spec	L'Hie Hydraulique	Zylinder Hydr.	Gato, Conj.	Pacoma
1	6111077M91GY03	2	Cylinder Lift High Spec	Verin Hydraulique	Hydraulikzyl	Cilindro Hidrauli	Wipro
2	835007M91	2	Elbow 90 Degree Adjust	Coude 90°	Kniestück 90°	Codo, 90°	
3	#ELBOW	1	Elbow	Elbow	Elbow	Elbow	Ref. 2
4	835024M1	1	Ring O - Boa	Joint Torique	O Ring	Junta De Tipo O	
5	6109544M91	1	Tube-Ldr Hyd	Tuyauterie	Rohrleitung Kplt	Conjunto De Tubería	Pacoma
5	6111167M91	1	Tube Assembly - Loader	Tuyauterie	Rohrleitung Kplt	Conjunto De Tubería	Wipro
6	6109548M91	1	Tube-Ldr Hyd	Tuyauterie	Rohrleitung Kplt	Conjunto De Tubería	Pacoma
6	6111169M91	1	Tube Assembly - Loader	Tuyauterie	Rohrleitung Kplt	Conjunto De Tubería	Wipro
7	835007M91	2	Elbow 90 Degree Adjust	Coude 90°	Kniestück 90°	Codo, 90°	
8	#ELBOW	1	Elbow	Elbow	Elbow	Elbow	Ref. 7
9	835024M1	1	Ring O - Boa	Joint Torique	O Ring	Junta De Tipo O	
10	6111171M91	1	Tube Assembly - Loader Hose Burst	Tuyauterie	Rohrleitung Kplt	Conjunto De Tubería	Wipro
10	6109936M91	1	Tube Assy - Loader Hose Burst	Tuyauterie	Rohrleitung Kplt	Conjunto De Tubería	Pacoma
11	6111172M91	1	Tube Assembly - Loader Hose Burst	Tuyauterie	Rohrleitung Kplt	Conjunto De Tubería	Wipro
11	6109938M91	1	Tube Assy - Loader Hose Burst	Tuyauterie	Rohrleitung Kplt	Conjunto De Tubería	Pacoma
12	6109791M91	2	Clamp Plate Assy	Ensemble De Plaque	Platte Kpl.	Placa, Conj.	
13	339374X1	2	Washer M8 -21-2 Z	Rondelle Frein - M8	Federring - M8	Arandela De Freno	
14	339123X1	2	Bolt M8-20 Z5f	Boulon M8 X 20	Maschschraube M8	Perno	
15	6106109M1	2	Pad-Neoprene	Tampon	Klotz	Placa, Caucho	
16	6101228M1	2	Clamp-Tube-Assy	Collier De Serrage	Klemme	Brida De Fijación	
17	339123X1	2	Bolt M8-20 Z5f	Boulon M8 X 20	Maschschraube M8	Perno	
18	6109919M91	1	Hose Assy - Lift Cylinder Head	Flexible Ass.	Schlauch Kplt	Flexible, Conj.	
19	6109372M91	1	Hose Assy - Lift Cylinder Rod	Flexible Ass.	Schlauch Kplt	Flexible, Conj.	
20	1876229M1	2	Tie 270mm Lk2a	Attache Câble	Kabelbinder	Enlace De Cable	
21	6109919M91	1	Hose Assy - Lift Cylinder Head	Flexible Ass.	Schlauch Kplt	Flexible, Conj.	
22	6109372M91	1	Hose Assy - Lift Cylinder Rod	Flexible Ass.	Schlauch Kplt	Flexible, Conj.	
23	6101897M1	1	Pad-Rubber	Plaque De Caoutchouc	Gummiplatte	Placa, Caucho	
24	6101228M1	2	Clamp-Tube-Assy	Collier De Serrage	Klemme	Brida De Fijación	
25	339124X1	2	Bolt M8-16 Z5f	Goupille	Maschschrb Metr - M8	Tornillo	



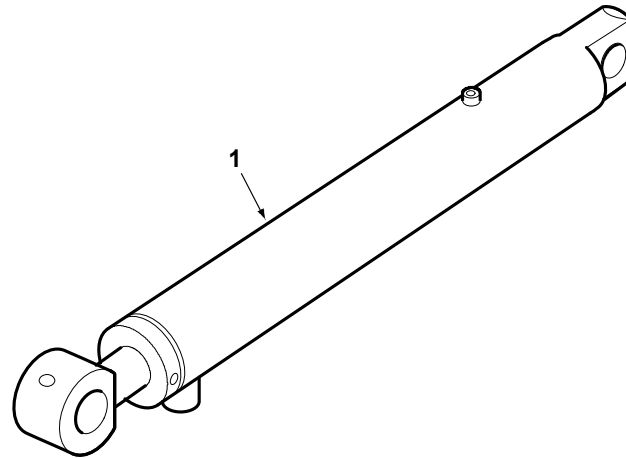
C-67012-01.1-C



Item	Part No.	Qty.	English	French	German	Spanish	Remarks
26	390972X1	2	Washer M8-17-1 Zwl	Rondelle M8	Scheibe - M8	Arandela	
27	6109412M91	1	Tube-Ldr Hyd HD RH	Tuyauterie	Rohrleitung Kplt	Conjunto De Tubería	
28	6109414M91	1	Tube-Ldr Hyd Rod LH	Tuyauterie	Rohrleitung Kplt	Conjunto De Tubería	
29	6109416M91	1	Tube-Ldr Hyd HD RH	Tuyauterie	Rohrleitung Kplt	Conjunto De Tubería	
30	6109418M91	1	Tube-Ldr Hyd Rod LH	Tuyauterie	Rohrleitung Kplt	Conjunto De Tubería	
31	6101897M1	2	Pad-Rubber	Plaque De Caoutchouc	Gummiplatte	Placa, Caucho	
32	6101228M1	4	Clamp-Tube-Assy	Collier De Serrage	Klemme	Brida De Fijación	
33	339124X1	4	Bolt M8-16 Z5f	Goupille	Maschschrb Metr - M8	Tornillo	
34	390972X1	4	Washer M8-17-1 Zwl	Rondelle M8	Scheibe - M8	Arandela	
35	356561X1	2	Tee-Union	Te	T-Stück	Te	
36	6109428M91	1	Tube-Ldr Hyd Rod	Tuyauterie	Rohrleitung Kplt	Conjunto De Tubería	
37	6109430M91	1	Tube-Ldr Hyd HD	Tuyauterie	Rohrleitung Kplt	Conjunto De Tubería	

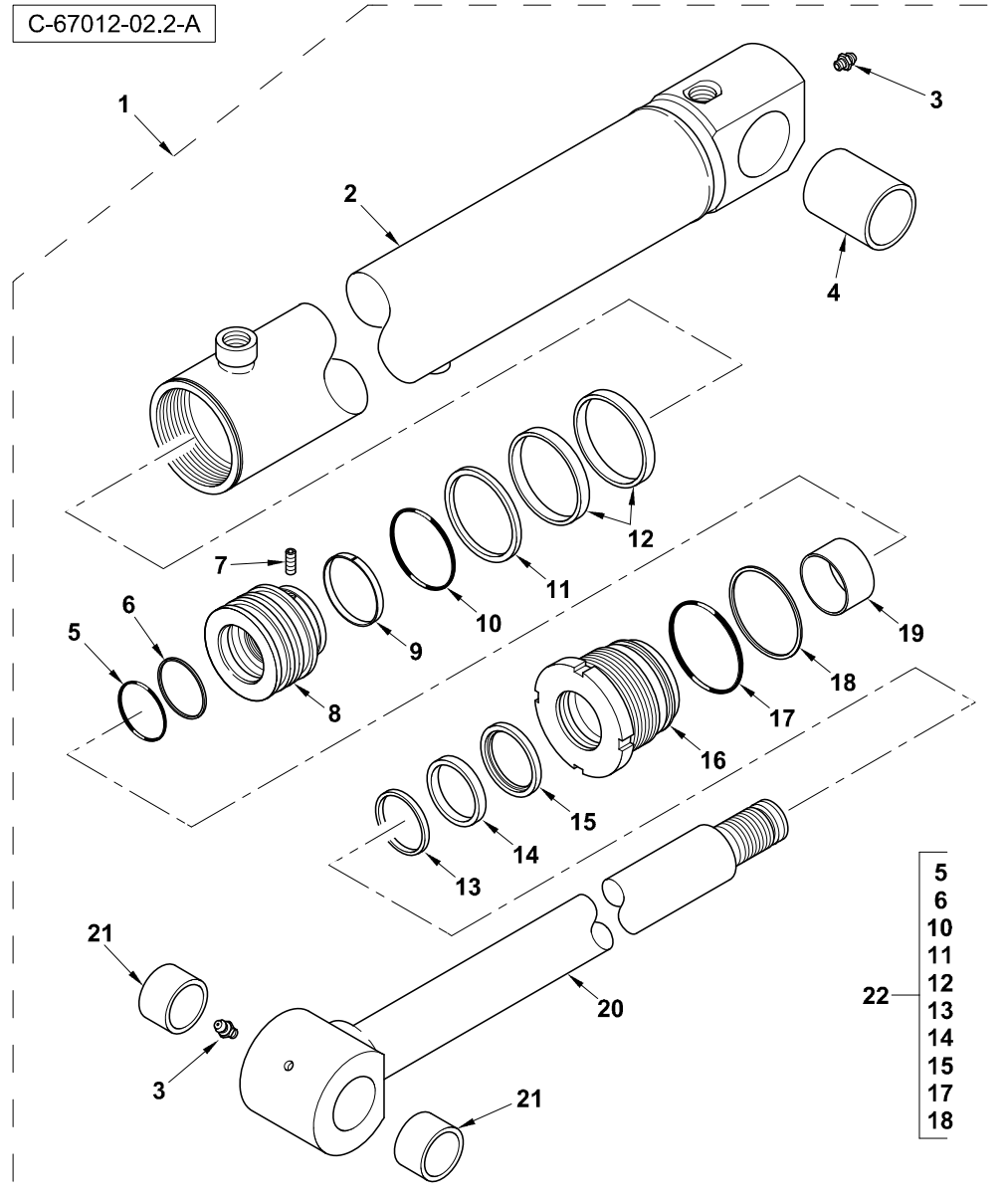


C-67012-02.1-A



Item	Part No.	Qty.	English	French	German	Spanish	Remarks
1	6109553M91	2	Cylinder - Lift High Spec	L'Hie Hydraulique	Zylinder Hydr.	Gato, Conj.	67012c01.1 1
2	#TUBE, CYLINDER	1	Tube, Cylinder	Tube, Cylinder	Tube, Cylinder	Tube, Cylinder	
3	#TUBE, CYLINDER	1	Tube, Cylinder	Tube, Cylinder	Tube, Cylinder	Tube, Cylinder	Ref. 2
4	3623322M1	1	Bush	Douille	Büchse	Anillo	
5	339608X1	1	Grease Nipple - M10 X 1 (Zinc)	Nipple De Graissage	Schmiernippel	Engrasador	
6	3485892M1	1	Guide Ring Piston	Bague D'Étanchéité	Dichtungsring	Anillo, Estanqueidad	
7	3485245M91	1	Seal Assy Piston	Joint Ass.	Dichtung Kplt	Junta, Conj.	
8	3485892M1	1	Guide Ring Piston	Bague D'Étanchéité	Dichtungsring	Anillo, Estanqueidad	
9	3402928M1	1	Screw, Socket Head - Piston Locating	Vis Tête Hex	Zylinderschraube	Tornillo	
10	3487180M1	1	Piston	Piston	Kolben	Pistón De Gato	
11	359183X1	1	O-Ring	Joint Torique	O-Ring	Junta De Tipo O	
12	359193X1	1	O-Ring	Joint Torique	O-Ring	Junta De Tipo O	
13	1606735M1	1	Ring Back-Up	Contre Bague	Stützring	ContraJunta	
14	3623641M1	1	O-Ring	Joint Torique	O-Ring	Junta De Tipo O	
15	3443550M1	1	Ring Rod Guide	Anneau	Ring	Aro	
16	5002159M1	1	Bearing	Roulement	Lager	Palier De Gato	
17	3403067M1	1	Seal	Joint D'Arbre	Wellendichtring	Anillo, Estanqueidad	
18	1606058M1	1	Wiper Ring	Joint De Racleur	Abstreifdichtung	Junta Raspador	
19	3441920M91	1	Piston Rod Assy	Tige De Vérin	Kolbenstange	Vástago Cilindro	
20	#ROD, PISTON	1	Rod, Piston	Rod, Piston	Rod, Piston	Rod, Piston	Ref. 19
21	3623323M1	2	Bush	Douille	Büchse	Anillo	
22	339608X1	1	Grease Nipple - M10 X 1 (Zinc)	Nipple De Graissage	Schmiernippel	Engrasador	
23	5001975M91	1	Kit Seal	Jeu Étanchéité	Dichtringsatz	Juego De Juntas	

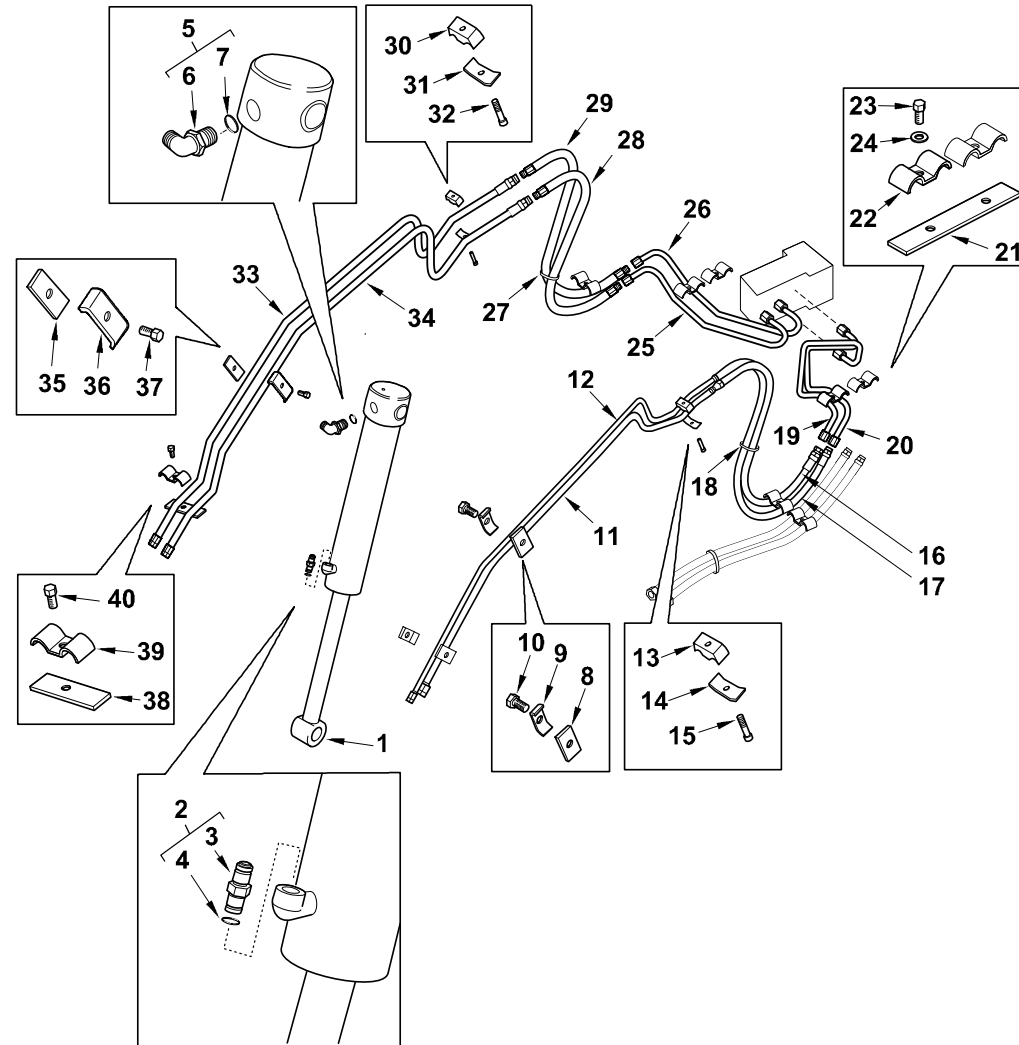




Item	Part No.	Qty.	English	French	German	Spanish	Remarks
1	6111077M91GY03	1	Cylinder Lift High Spec	Verin Hydraulique	Hydraulikzyl	Cilindro Hidrauli	
2	6195241M91GY03	1	Tube - S/A (Terex Grey)	Tube - S/A (Terex Grey)	Tube - S/A (Terex Grey)	Tube - S/A (Terex Grey)	
3	6194542M1	2	Nipple - Grease	Graisseur Coude	Nippel	Manguito, Engrasador	
4	6195244M1	1	Bush	Bush	Bush	Bush	
5	6195247M1	1	O - Ring	O - Ring	O - Ring	O - Ring	
6	6194570M1	1	Ring - Back Up	Contre Bague	Stutzring	ContraJunta	
7	6194619M1	1	Set Screw	Vis	Schraube	Tornillo De Ajuste	
8	6195242M1	1	Piston	Piston	Piston	Piston	
9	6195246M1	1	Ring - Snap	Ring - Snap	Ring - Snap	Ring - Snap	
10	6195186M1	1	O-Ring	O-Ring	O-Ring	O-Ring	
11	6194635M1	1	Seal - Piston	Joint Étanchéité	Dichtring	Junta	
12	6194634M1	2	Bearing - Piston	Coussinet	Lager	Teniendo - Pistón	
13	6194590M1	1	Wiper	Essuyeur	Wischer	Raspador, Escobilla	
14	6194589M1	1	Seal - Rod	Joint Étanchéité	Dichtring	Junta	
15	6194588M1	1	Seal - Rod (Primary)	Joint Étanchéité	Dichtring	Junta	
16	6195243M1	1	Cover - H.E.	Cover - H.E.	Cover - H.E.	Cover - H.E.	
17	6195189M1	1	O-Ring	O-Ring	O-Ring	O-Ring	
18	6194641M1	1	Ring - Back Up	Contre Bague	Stutzring	ContraJunta	
19	6194593M1	1	Bush - Bimetal	Douille	Büchse	Juego De Anillos	
20	6194537M91	1	Rod - Piston	Bielle De Piston	Pleuelstange	Rod - Pistón	
21	6195245M1	2	Bush	Bush	Bush	Bush	
22	6195248M91	1	Seal Kit	Seal Kit	Seal Kit	Seal Kit	



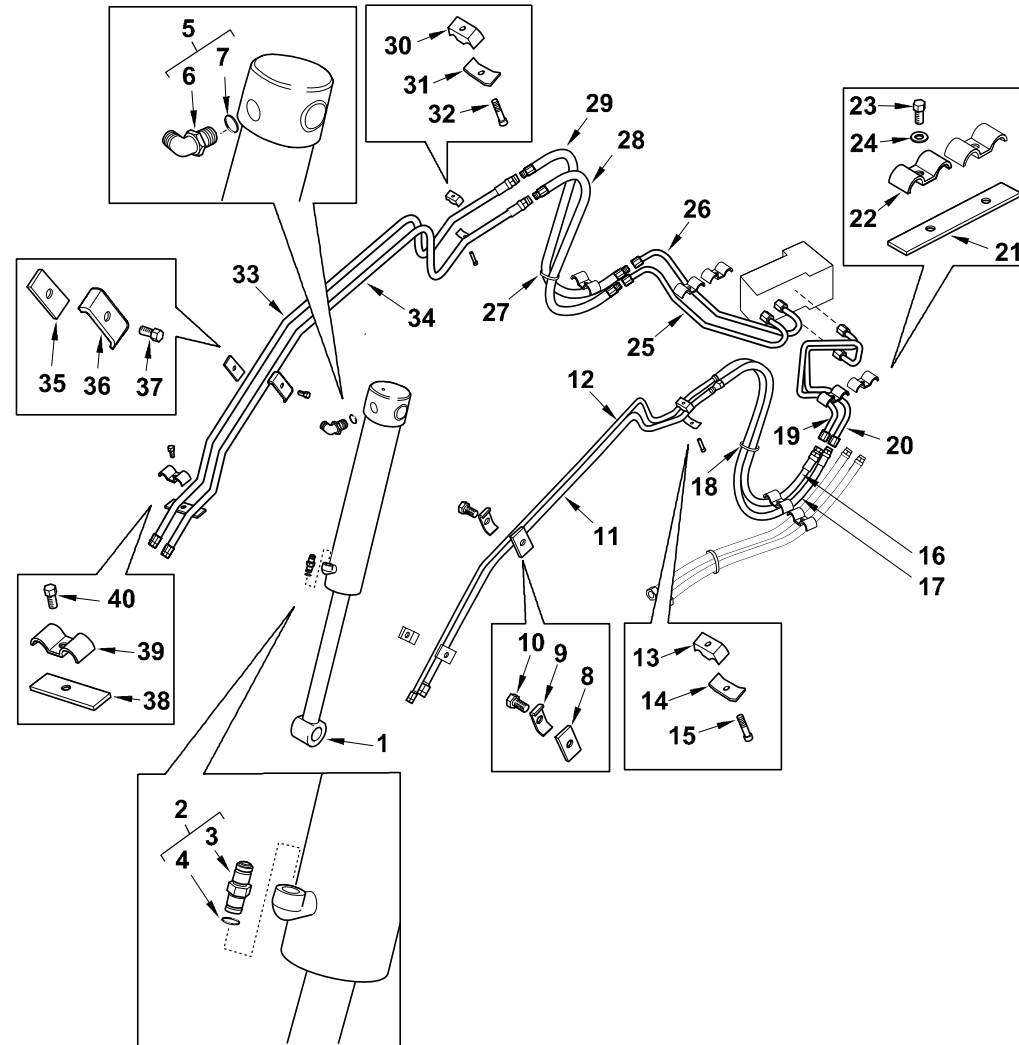
C-67012-03.1-B



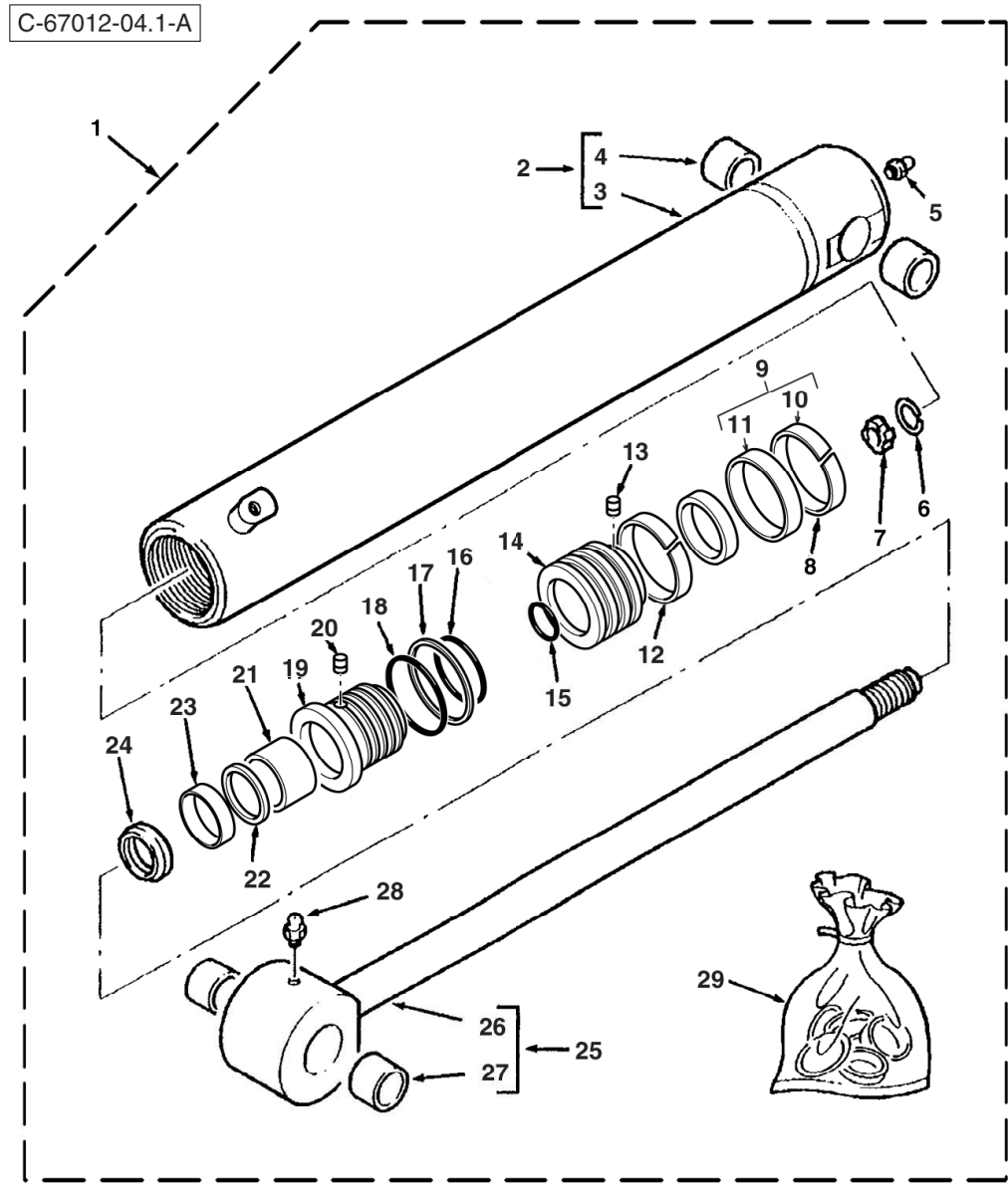
Item	Part No.	Qty.	English	French	German	Spanish	Remarks
1	6111076M91GY03	1	Cylinder Loader Bucket High Spec	Cylindre	Zylinder	Cilindro	Wipro
1	5000120M91	1	Cylinder Loader Bucket - Hi Spec	L' Hie Hydraulique	Zylinder Hydr.	Gato, Conj.	Pacoma
2	835013M91	1	Connector 7/8 Jic	Raccord	Schraubanschluss	Conexión, Conj.	
3	#UNION	1	Union	Union	Union	Union	Ref. 2
4	835024M1	1	Ring O - Boa	Joint Torique	O Ring	Junta De Tipo O	
5	835007M91	1	Elbow 90 Degree Adjust	Coude 90°	Kniestück 90°	Codo, 90°	
6	#ELBOW	1	Elbow	Elbow	Elbow	Elbow	Ref. 6
7	835024M1	1	Ring O - Boa	Joint Torique	O Ring	Junta De Tipo O	
8	6106109M1	2	Pad-Neoprene	Tampon	Klotz	Placa, Caucho	
9	6101228M1	2	Clamp-Tube-Assy	Collier De Serrage	Klemme	Brida De Fijación	
10	339123X1	2	Bolt M8-20 Z5f	Boulon M8 X 20	Maschschraube M8	Perno	
11	6102461M91	1	Tube Assy	Tuyauterie	Rohrleitung Kplt	Conjunto De Tubería	
12	6102463M91	1	Tube Assy	Tuyauterie	Rohrleitung Kplt	Conjunto De Tubería	
13	3520528M2	1	Clamp Block Ldr Beam	Collier De Serrage	Klemme	Argolla De Cierre	
14	3520534M1	1	Clamp (Zinc Plated)	Collier De Serrage	Klemme	Brida De Fijación	
15	339291X1	1	Bolt M8-55 Z5s	Goupille	Bolzen M8 X 55	Tornillo	
16	6109793M91	1	Hose Assy - Bucket Cyl Rod	Flexible Ass.	Schlauch Kplt	Flexible, Conj.	
17	6109543M91	1	Hose Assy - Bkt Cylinder Head	Flexible Ass.	Schlauch Kplt	Flexible, Conj.	
18	1876229M1	1	Tie 270mm Lk2a	Attache Câble	Kabelbinder	Enlace De Cable	
19	6109420M91	1	Tube-Ldr Hyd Bucket Rod	Tuyauterie	Rohrleitung Kplt	Conjunto De Tubería	
20	6109422M91	1	Tube-Ldr Hyd Bucket HD	Tuyauterie	Rohrleitung Kplt	Conjunto De Tubería	
21	6101897M1	1	Pad-Rubber	Plaque De Caoutchouc	Gummiplatte	Placa, Caucho	
22	6101228M1	2	Clamp-Tube-Assy	Collier De Serrage	Klemme	Brida De Fijación	
23	339124X1	2	Bolt M8-16 Z5f	Goupille	Maschschrb Metr - M8	Tornillo	
24	390972X1	2	Washer M8-17-1 Zwel	Rondelle M8	Scheibe - M8	Arandela	
25	6109424M93	1	Tube Assembly - Loader Hyd 7 In 1 HD	Ensemble Tube	Rohr Kpl	Conjunto De Tubería	
26	6109426M92	1	Tube Assy (7 In 1 Rod)	Tuyauterie	Rohr Kpl	Conjunto De Tubería	
27	1876229M1	1	Tie 270mm Lk2a	Attache Câble	Kabelbinder	Enlace De Cable	
28	6109804M91	1	Hose Assy - 7 In 1 Inner	Ensemble Durit	Schlauch Kpl	Flexible, Conj.	
29	6109920M91	1	Hose Assy - 7 In 1 Outer	Ensemble Durit	Schlauch Kpl	Flexible, Conj.	



C-67012-03.1-B

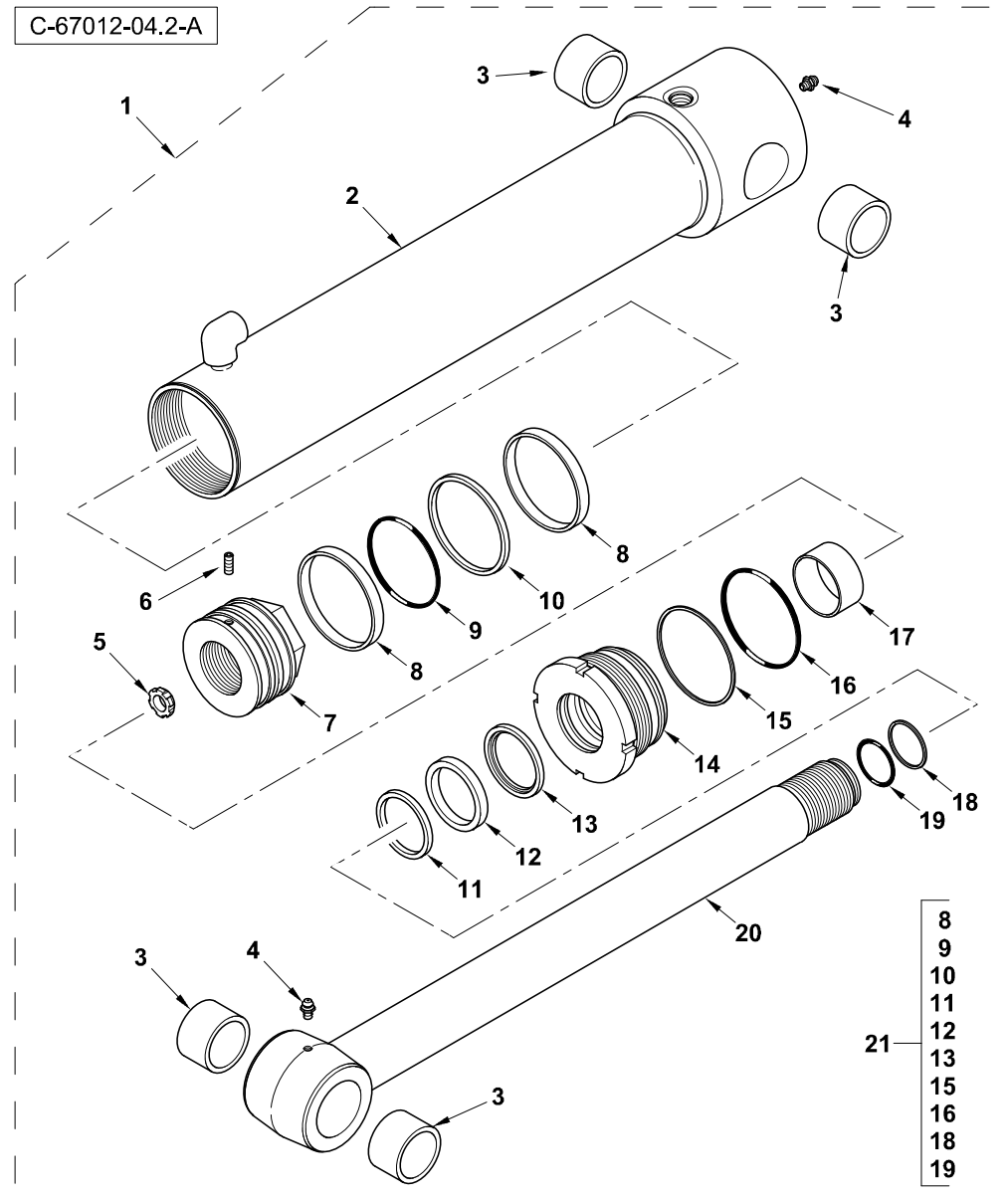


Item	Part No.	Qty.	English	French	German	Spanish	Remarks
30	3520538M2	1	Clamp Block Ldr Beam	Collier De Serrage	Klemme	Argolla De Cierre	
31	3520534M1	1	Clamp (Zinc Plated)	Collier De Serrage	Klemme	Brida De Fijación	
32	339291X1	1	Bolt M8-55 Z5s	Goupille	Bolzen M8 X 55	Tornillo	
33	6101236M91	1	Tube-Assy Bucket 7 In 1	Tuyauterie	Rohrleitung Kplt	Conjunto De Tubería	
34	6101234M91	1	Tube-Assy 7 In 1 Bucket	Tuyauterie	Rohrleitung Kplt	Conjunto De Tubería	
35	6106109M1	1	Pad-Neoprene	Tampon	Klotz	Placa, Caucho	
36	6101228M1	1	Clamp-Tube-Assy	Collier De Serrage	Klemme	Brida De Fijación	
37	339123X1	1	Bolt M8-20 Z5f	Boulon M8 X 20	Maschschraube M8	Perno	
38	6106109M1	1	Pad-Neoprene	Tampon	Klotz	Placa, Caucho	
39	6101228M1	1	Clamp-Tube-Assy	Collier De Serrage	Klemme	Brida De Fijación	
40	339009X1	1	Bolt - M8 X 35	Boulon M8 X 35	Maschschraube M8	Tornillo	
41	356447X1	2	Plug 37 Flare	Bouchon	Stopfen	Obturador	



Item	Part No.	Qty.	English	French	German	Spanish	Remarks
1	5000120M91	1	Cylinder Loader Bucket - Hi Spec	L´Hie Hydraulique	Zylinder Hydr.	Gato, Conj.	67012c03.1 1
2	5003936M91	1	Barrel Cylinder	Ensemble De Vérin	Zylinder Kpl.	Gato, Conj.	
3	#TUBE, CYLINDER	1	Tube, Cylinder	Tube, Cylinder	Tube, Cylinder	Tube, Cylinder	Ref. 3
4	3623390M1	2	Bush	Douille	Buechse	Casquillo	
5	339608X1	1	Grease Nipple - M10 X 1 (Zinc)	Nipple De Graissage	Schmiernippel	Engrasador	
6	3186587M1	1	Snap Ring	Anneau D´Arrêt	Sprengring	Anillo De Resorte	
7	3186586M1	1	Ring Cushioning	Anneau	Ring	Aro	
8	3442376M1	1	Ring Piston Guide	Anneau	Ring	Aro	
9	3485249M91	1	Seal Piston	Joint	Dichtung	Junta	
10	#SEAL	1	Seal	Joint Étanchéité	Dichtring	Retén	Ref. 9
11	#SEAL	1	Seal	Joint Étanchéité	Dichtring	Retén	Ref. 9
12	3442376M1	1	Ring Piston Guide	Anneau	Ring	Aro	
13	3402928M1	1	Screw, Socket Head - Piston Locating	Vis Tête Hex	Zylinderschraube	Tornillo	
14	3485147M1	1	Piston	Piston	Kolben	Pistón	
15	359186X1	1	O-Ring	Joint Torique	O-Ring	Junta De Tipo O	
16	359201X1	1	O Ring	Joint Torique	O Ring	Junta De Tipo O	
17	1024334M1	1	Ring, Back-Up	Contre Bague	Stuetzring	Aro	
18	3487909M1	1	O-Ring	Joint Torique	O-Ring	Junta De Tipo O	
19	5003941M1	1	Bearing	Roulement	Lager	Cojinete	
20	3443386M1	1	Retaining Plug	Bouchon	Stopfen	Tapón	
21	3484615M1	1	Guide Ring	Anneau	Ring	Aro	
22	3484055M1	1	Ring Buffer	Anneau	Ring	Aro	
23	3485185M1	1	Seal	Joint D´Arbre	Wellendichtring	Junta	
24	3487015M1	1	Wiper Ring	Anneau	Ring	Aro	
25	3441631M91	1	Piston Rod Assy	Tige De Vérin	Kolbenstange	Vástago Cilindro	
26	#ROD, PISTON	1	Rod, Piston	Rod, Piston	Rod, Piston	Rod, Piston	Ref. 23
27	3623390M1	2	Bush	Douille	Buechse	Casquillo	
28	339608X1	1	Grease Nipple - M10 X 1 (Zinc)	Nipple De Graissage	Schmiernippel	Engrasador	
29	3623397M91	1	Kit Seal	Jeu Étanchéité	Dichtringsatz	Juego De Piezas	

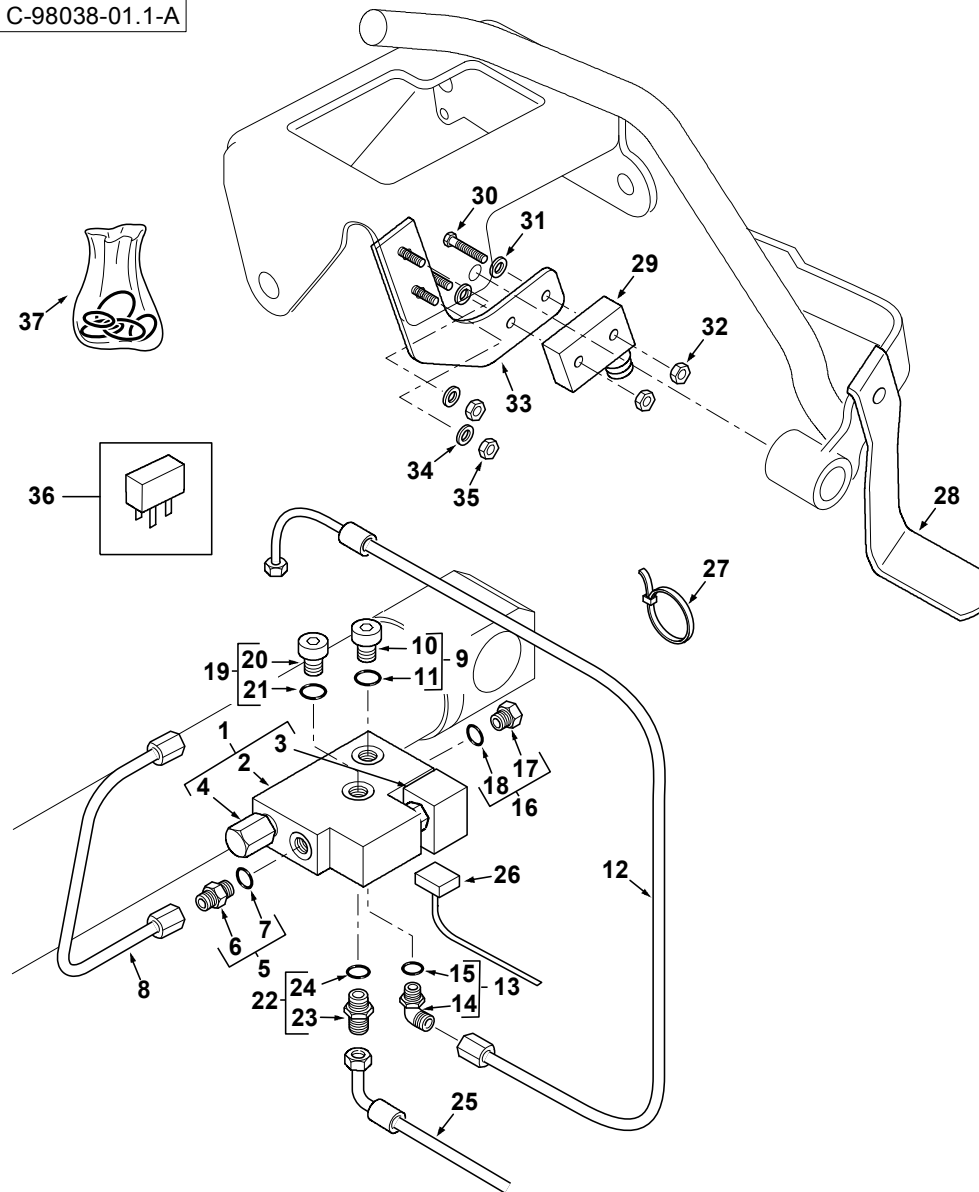




Item	Part No.	Qty.	English	French	German	Spanish	Remarks
1	6111076M91GY03	1	Cylinder Loader Bucket High Spec	Cylindre	Zylinder	Cilindro	
2	6195231M91GY03	1	Tube - S/A (Terex Grey)	Tube - S/A (Terex Grey)	Tube - S/A (Terex Grey)	Tube - S/A (Terex Grey)	
3	6195234M1	4	Bush	Bush	Bush	Bush	
4	6194542M1	2	Nipple - Grease	Graisseur Coude	Nippel	Manguito, Engrasador	
5	6195235M1	1	Ring - Cushion	Ring - Cushion	Ring - Cushion	Ring - Cushion	
6	6195236M1	1	Set Screw - Hex Socket	Set Screw - Hex Socket	Set Screw - Hex Socket	Set Screw - Hex Socket	
7	6195232M1	1	Piston	Piston	Piston	Piston	
8	6194568M1	2	Bearing - Piston	Coussinet	Lager	Teniendo - Pistón	
9	6194567M1	1	O Ring (Std)	Joint Torique	O Ring	Junta De Tipo O	
10	6194566M1	1	Seal - Piston	Joint Étanchéité	Dichtring	Junta	
11	6194554M1	1	Wiper	Essuyeur	Wischer	Raspador, Escobilla	
12	6194551M1	1	Seal- Rod (Secondary)	Joint Étanchéité	Dichtring	Junta	
13	6194638M1	1	Seal - Rod (Primary)	Joint Étanchéité	Dichtring	Junta	
14	6195233M1	1	Cover - H.E.	Cover - H.E.	Cover - H.E.	Cover - H.E.	
15	6195238M1	1	Ring - Back Up	Ring - Back Up	Ring - Back Up	Ring - Back Up	
16	6195237M1	1	O - Ring	O - Ring	O - Ring	O - Ring	
17	6194541M1	1	Bush - Bimetal	Douille	Büchse	Juego De Anillos	
18	6194549M1	1	Ring - Back Up	Contre Bague	Stutzring	ContraJunta	
19	6195193M1	1	O-Ring	O-Ring	O-Ring	O-Ring	
20	6194537M91	1	Rod - Piston	Bielle De Piston	Pleuelstange	Rod - Pistón	
21	6195239M91	1	Seal Kit	Jeu Etancheite	Dichtringsatz	Juego Retenes	



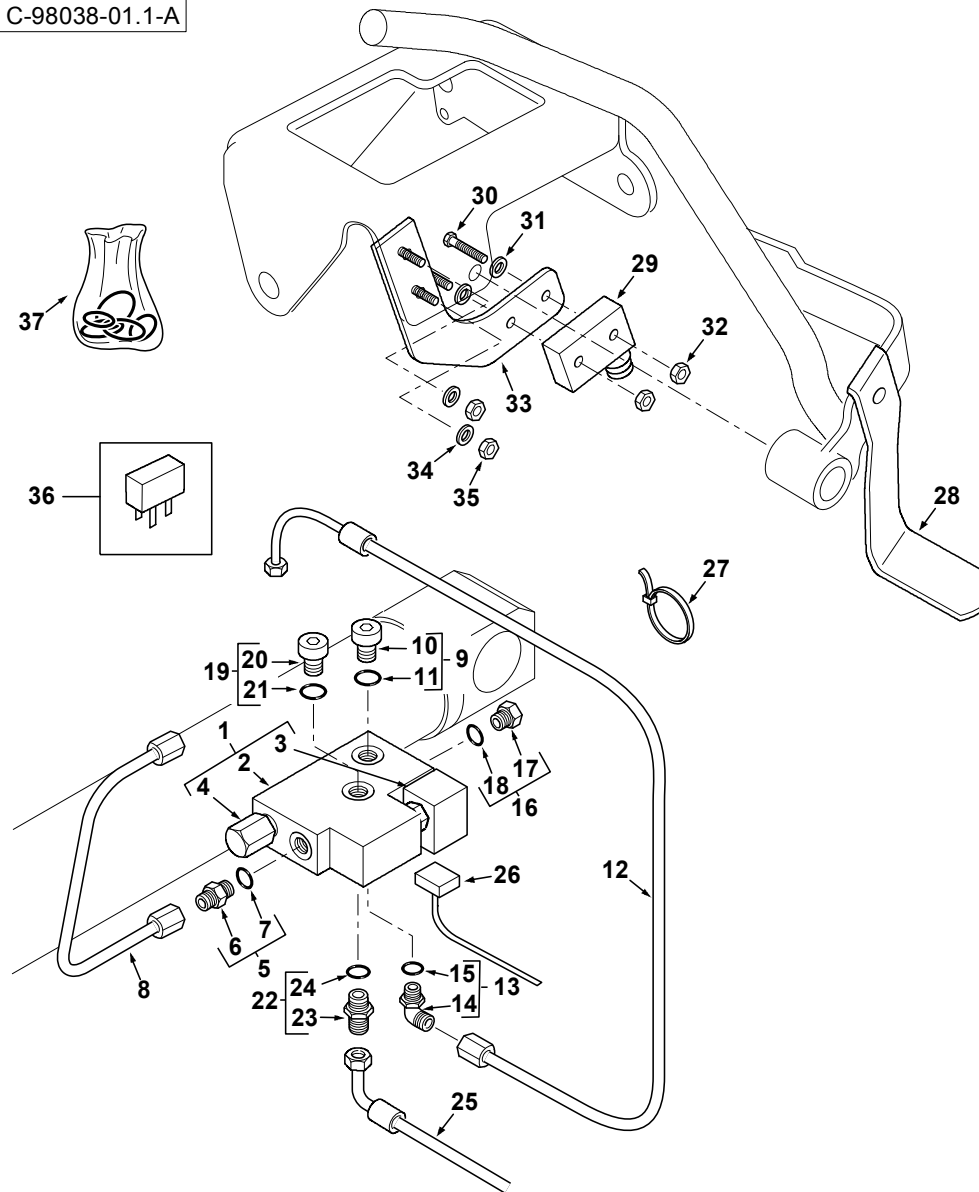
C-98038-01.1-A



Item	Part No.	Qty.	English	French	German	Spanish	Remarks
1	6109880M91	2	Valve - Hose Burst Loader	Soupape Verrouillage	Sperrventil	Válvula De Bloqueo.	
2	#VALVE	1	Valve	Soupape	Ventil	Válvula	Ref. 1
3	6193308M91	1	Cartridge Assy	Cartouche	Einsatz Kplt	Cartucho	
4	6193173M91	1	Coil - Solenoid Valves	Bobine	Wicklung	Bobina, Conj.	
5	835013M91	2	Connector 7/8 Jic	Raccord	Schraubanschluss	Conexión, Conj.	
6	#CONNECTOR	1	Connector	Connector	Connector	Connector	Ref. 5
7	835024M1	1	Ring O - Boa	Joint Torique	O Ring	Junta De Tipo O	
8	#TUBE ASSY	1	Tube Assy	Tube Assy	Tube Assy	Tube Assy	Hose Burst
9	373772M91	2	Plug 9/16 Round	Bouchon	Stopfen	Tapón, Conj.	
10	#PLUG	1	Plug	Plug	Plug	Plug	Ref. 9
11	831452M1	1	O Ring (Pack Of 10)	Joint Torique	O Ring	Junta De Tipo O	
12	6109922M91	2	Hose Assy - Pilot Loader Hose Burst	Flexible Ass.	Schlauch Kpl	Flexible, Conj.	
13	357197X91	2	Elbow & O Ring	Coude	Kniestück, 90°	Codo, 90°	
14	#ELBOW	1	Elbow	Elbow	Elbow	Elbow	Ref. 10
15	831452M1	1	O Ring (Pack Of 10)	Joint Torique	O Ring	Junta De Tipo O	
16	6109935M91	2	Connector - Swivel 7/8jicm X 7/8jicf	Ensemble Connexion	Doppelnippel	Conexión, Conj.	
17	#CONNECTOR	1	Connector	Connector	Connector	Connector	Ref. 16
18	835024M1	1	Ring O - Boa	Joint Torique	O Ring	Junta De Tipo O	
19	373772M91	2	Plug 9/16 Round	Bouchon	Stopfen	Tapón, Conj.	
20	#PLUG	1	Plug	Plug	Plug	Plug	Ref. 19
21	831452M1	1	O Ring (Pack Of 10)	Joint Torique	O Ring	Junta De Tipo O	
22	6109947M91	2	Restrictor 9/16"	Réduction	Reduzierstück	Reducción	
23	#RESTRICTOR	1	Restrictor	Restrictor	Restrictor	Restrictor	Ref. 22
24	831452M1	1	O Ring (Pack Of 10)	Joint Torique	O Ring	Junta De Tipo O	
25	6109923M91	1	Hose Assy - Loader Hb Equal	Flexible Ass.	Schlauch Kpl	Flexible, Conj.	
26	6102074M91	1	Harness-Hose Burst	Faisceau	Beschirring	Haz	
27	1664405M1	12	Tie Mm T50s	Attache Cable	Kabelbinder	Enlace De Cable	
28	6109603M1	1	Actuator Switch - Hose Burst Loader	Vérin	Steuermechanismus	Mecanismo De Mando	
29	6102075M91	1	Switch, Micro - Hose Burst	Ensemble Commutat.	Mikroschalter	Conmutador, Conj.	
30	3522433M2	2	Bolt M3-35 Hex	Boulon M3 X 35	Maschschraube M3	Tornillo	



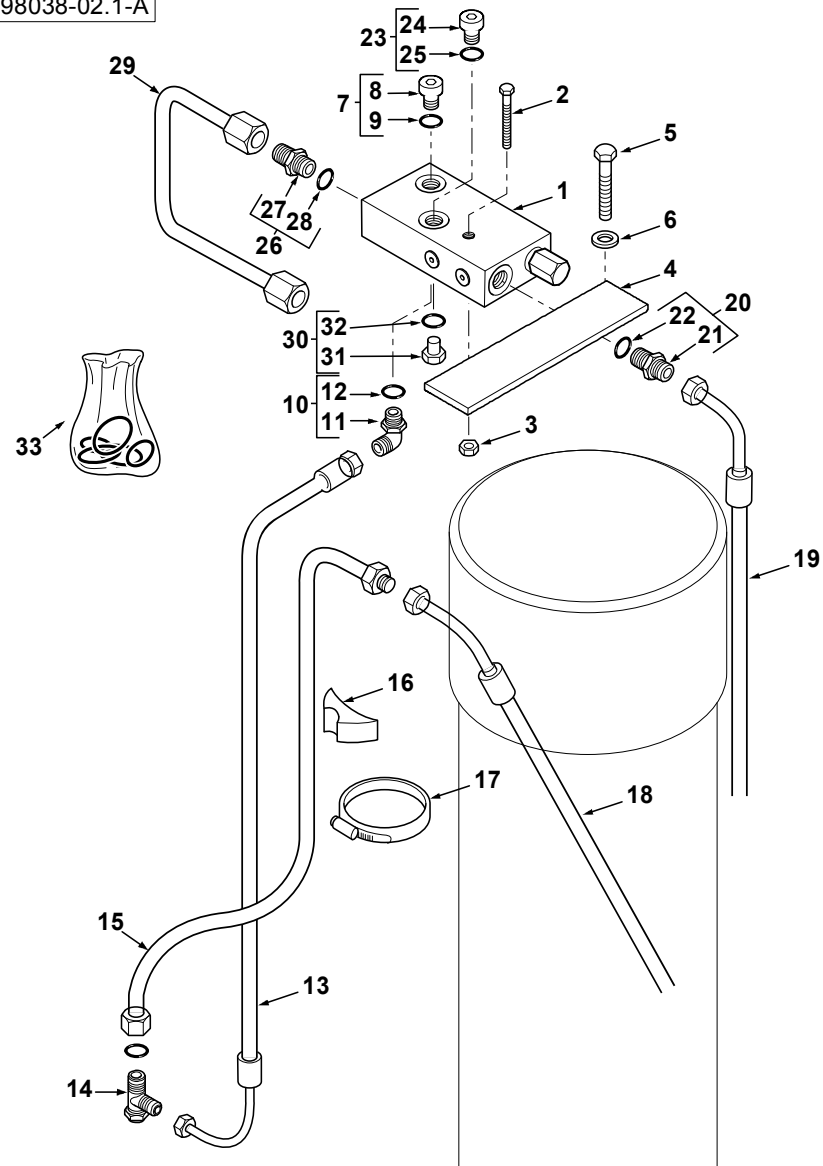
C-98038-01.1-A



Item	Part No.	Qty.	English	French	German	Spanish	Remarks
31	390752X1	2	Washer - M3	Rondelle	Unterlegscheibe - M3	Arandela	
32	391216X1	2	Nut Nyloc M3	Ecrou Blocage M3	Flachmutter M3	Tuerca	
33	6109602M91	1	Plate - Switch Hose Burst Loader W/Assy	Plaque	Platte	Placa, Conj.	
34	390469X1	2	Washer M5	Rondelle	Scheibe - M5	Arandela	
35	3005823X1	2	Nut Plain M5	Ecrou	Mutter - M5	Tuerca	
36	6102490M1	1	Relay-Micro	Relais	Relais	Relé	
37	6194037M91	0	Seal Kit	Jeu Etancheite	Dichtringsatz	Juego De Juntas	



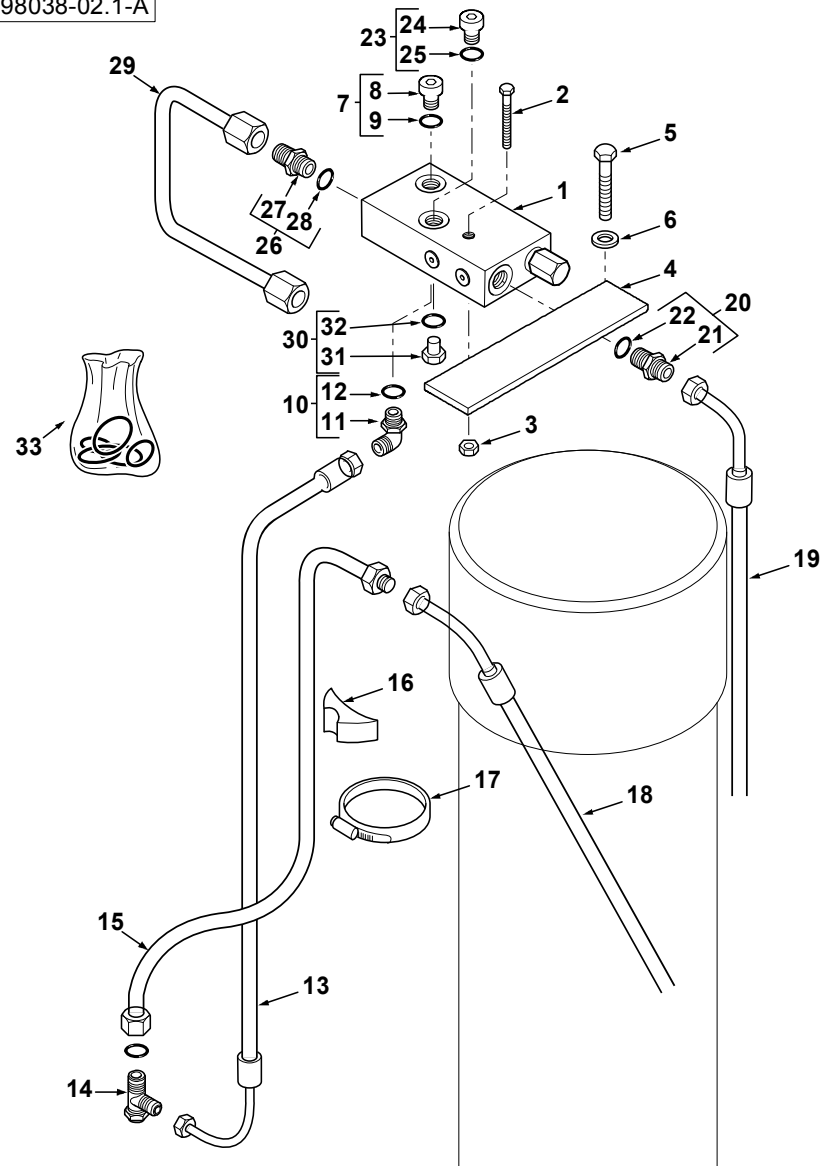
C-98038-02.1-A



Item	Part No.	Qty.	English	French	German	Spanish	Remarks
1	6109881M91	1	Valve - Hose Burst Loader Bucket	Soupape Verrouillage	Sperrventil	Válvula De Bloqueo.	
2	339368X1	2	Bolt M8-60 Z5s	Goupille	Bolzen - M8 X 60	Perno	
3	394367X1	2	Nut, Hex. - Nyloc, M8	Ecrou Blocage M8	Flachmutter - M8	Tuerca De Retención	
4	6109958M1	1	Plate - Hose Burst Valve	Plaque	Platte	Placa	
5	3009505X1	2	Hex. Bolt, M12 X 25 - Coarse	Boulon	Bolzen M12 X 25	Perno	
6	390735X1	2	Washer M12-24-2 Z	Rondelle	Scheibe - M12	Arandela	
7	373772M91	1	Plug 9/16 Round	Bouchon	Stopfen	Tapón, Conj.	
8	#PLUG	1	Plug	Plug	Plug	Plug	Ref. 8
9	831452M1	1	O Ring (Pack Of 10)	Joint Torique	O Ring	Junta De Tipo O	
10	358781X91	1	Elbow 45 Deg 4ws	Coude 135°	Winkelstück 135°	Codo, 45°	
11	#ELBOW	1	Elbow	Elbow	Elbow	Elbow	Ref. 10
12	831452M1	1	O Ring (Pack Of 10)	Joint Torique	O Ring	Junta De Tipo O	
13	6102015M91	1	Hose-Pilot Pressure	Flexible	Schlauch	Flexible, Conj.	
14	6102014M91	1	Tee-Hose Burst	Raccord	T Stuck	Te	
15	6106232M91	1	Tube-Ldr Bucket Cyl Rod	Tuyo	Leitung Kpl	Conjunto De Tubería	
16	L79937	1	Spacer	Selle	Sattel	Traviesa	
17	3517734M1	1	Clamp Hose 140-160	Collier De Serrage	Halteschelle	Argolla De Cierre	
18	6102383M91	1	Hose-Bucket Cylinder Rod	Flexible Ass.	Schlauch Kpl	Flexible, Conj.	
19	6106233M92	1	Hose-Hose Burst	Flexible	Schlauch	Flexible, Conj.	
20	835013M91	1	Connector 7/8 Jic	Raccord	Schraubanschluss	Conexión, Conj.	
21	#CONNECTOR	1	Connector	Connector	Connector	Connector	Ref. 20
22	835024M1	1	Ring O - Boa	Joint Torique	O Ring	Junta De Tipo O	
23	373772M91	1	Plug 9/16 Round	Bouchon	Stopfen	Tapón, Conj.	
24	#PLUG	1	Plug	Plug	Plug	Plug	Ref. 23
25	831452M1	1	O Ring (Pack Of 10)	Joint Torique	O Ring	Junta De Tipo O	
26	835013M91	1	Connector 7/8 Jic	Raccord	Schraubanschluss	Conexión, Conj.	
27	#CONNECTOR	1	Connector	Connector	Connector	Connector	Ref. 26
28	835024M1	1	Ring O - Boa	Joint Torique	O Ring	Junta De Tipo O	
29	6109956M91	1	Tube Assy - Hose Burst Bucket	Tuyauterie	Rohr Kpl	Conjunto De Tubería	
30	835087M91	1	Plug 9/16"	Bouchon	Stopfen	Tapón, Conj.	

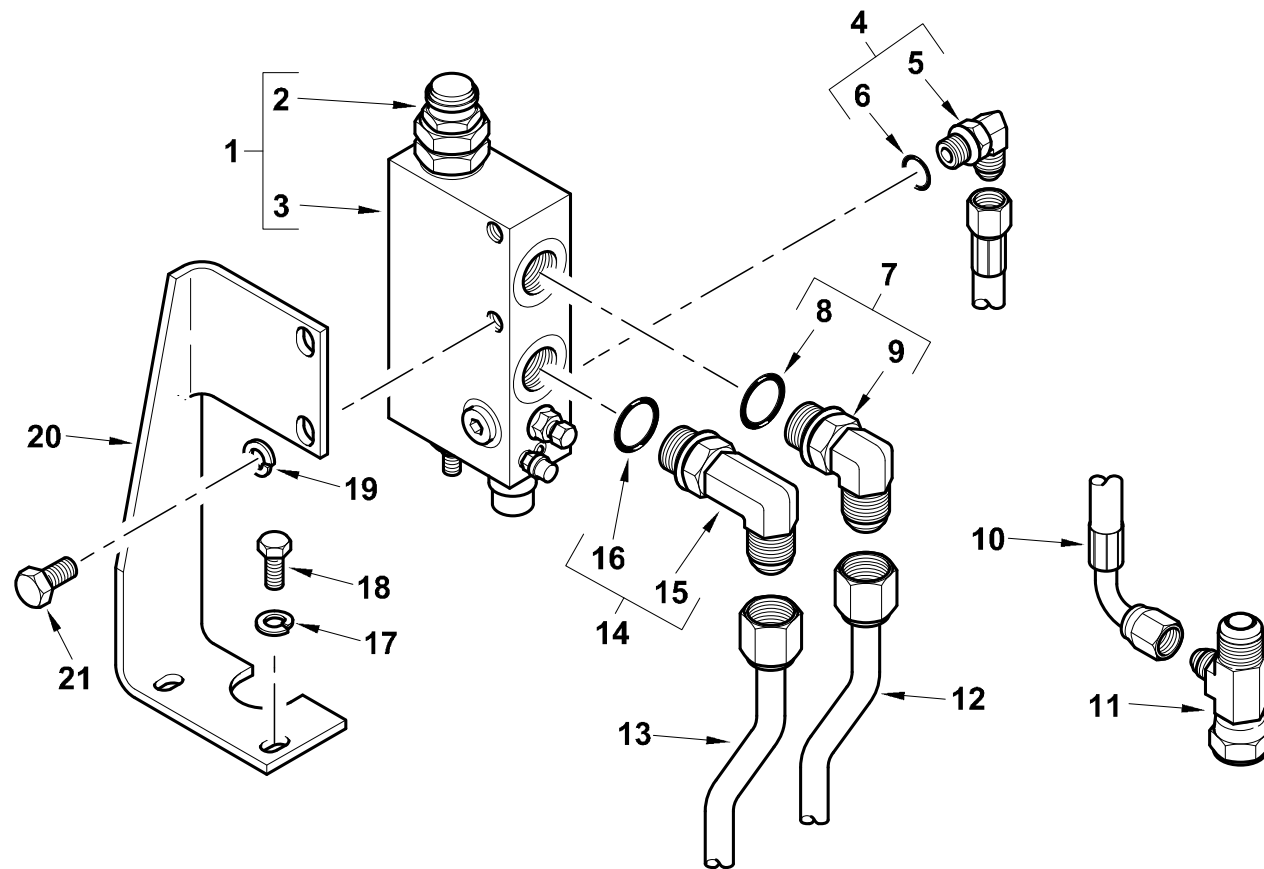


C-98038-02.1-A



Item	Part No.	Qty.	English	French	German	Spanish	Remarks
31	#PLUG	1	Plug	Plug	Plug	Plug	Ref. 30
32	831452M1	1	O Ring (Pack Of 10)	Joint Torique	O Ring	Junta De Tipo O	
33	6194038M91	0	Seal Kit	Jeu Etancheite	Dichtringsatz	Juego De Juntas	

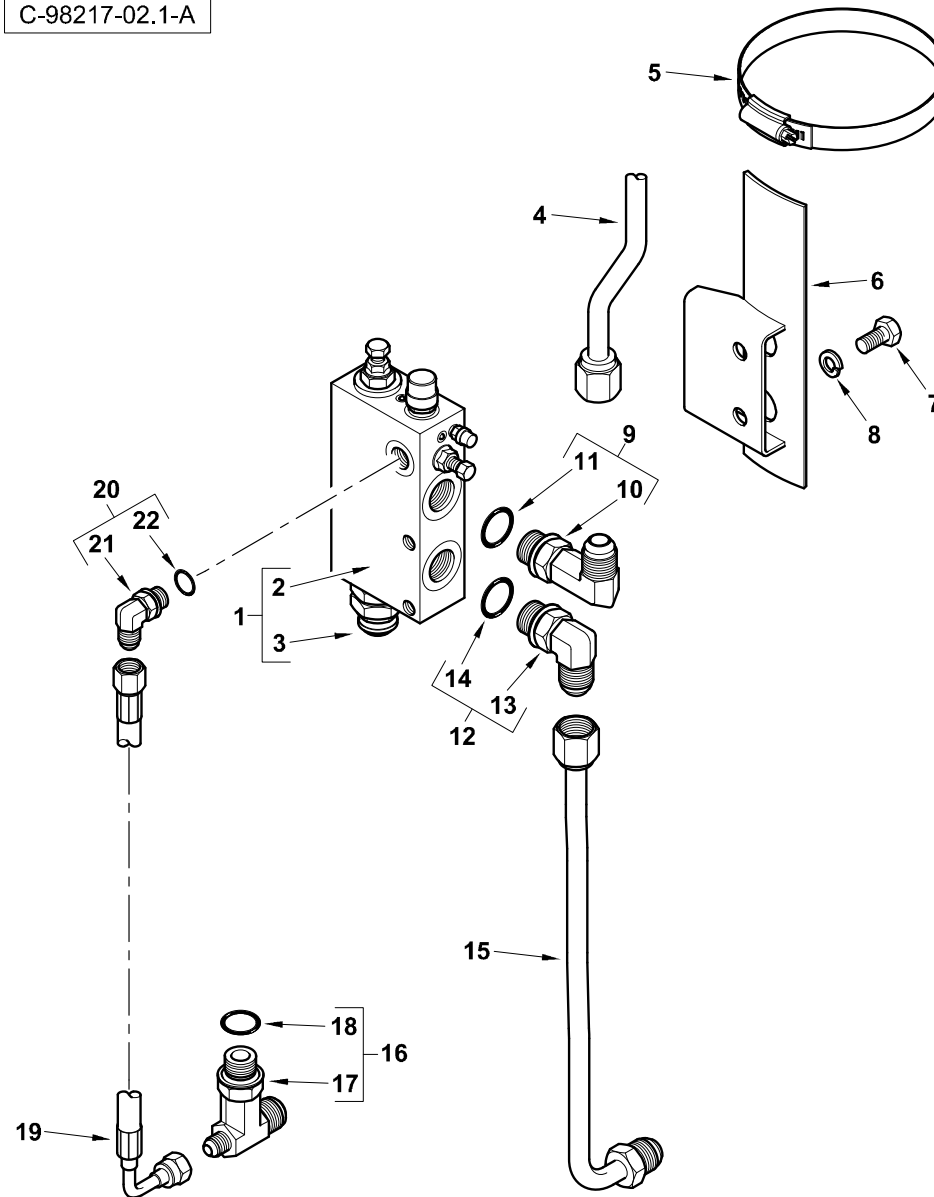
C-98217-01.1-A



Item	Part No.	Qty.	English	French	German	Spanish	Remarks
1	6111244M91	1	Valve - Hose Burst Boom	Soupape	Ventil	Válvula De Bloqueo.	
2	#VALVE	1	Valve	Soupape	Ventil	Válvula	Ref. 1
3	#CARTRIDGE	1	Cartridge	Cartridge	Cartridge	Cartridge	Ref. 1
4	357197X91	1	Elbow & O Ring	Coude	Kniestück, 90°	Codo, 90°	
5	#ELBOW	1	Elbow	Elbow	Elbow	Elbow	Ref. 4
6	831452M1	1	O Ring (Pack Of 10)	Joint Torique	O Ring	Junta De Tipo O	
7	835007M91	1	Elbow 90 Degree Adjust	Coude 90°	Kniestück 90°	Codo, 90°	
8	#ELBOW	1	Elbow	Elbow	Elbow	Elbow	Ref. 7
9	835024M1	1	Ring O - Boa	Joint Torique	O Ring	Junta De Tipo O	
10	6109247M91	1	Hose Assy - Orb To S-Cyl LH	Flexible Ass.	Schlauch Kplt	Flexible, Conj.	
11	6102014M91	1	Tee-Hose Burst	Raccord	T Stuck	Te	
12	6101966M91	1	Hose-Boom Cyl Hose Hose	Flexible Ass.	Schlauch Kplt	Flexible, Conj.	
13	#TUBE	1	Tube	Tube	Tube	Tube	Boom Cylinder
14	6101624M91	1	Elbow 90deg-Long	Coude À 90°	Winkelstuck	Codo, 90°	
15	#ELBOW	1	Elbow	Elbow	Elbow	Elbow	Ref. 14
16	835024M1	1	Ring O - Boa	Joint Torique	O Ring	Junta De Tipo O	
17	339374X1	2	Washer M8 -21-2 Z	Rondelle Frein - M8	Federring - M8	Arandela De Freno	
18	339123X1	2	Bolt M8-20 Z5f	Boulon M8 X 20	Maschschraube M8	Perno	
19	390734X1	2	Washer M10-21-2 Z	Rondelle - M10	Unterlegscheibe	Arandela	
20	3009491X1	2	Bolt M10 X 20	Boulon	Maschschraube M10	Tornillo	
21	6101960M1	1	Bracket-Boom Cyl Valve	Support	Haltevorrichtung	Pata De Fijación	



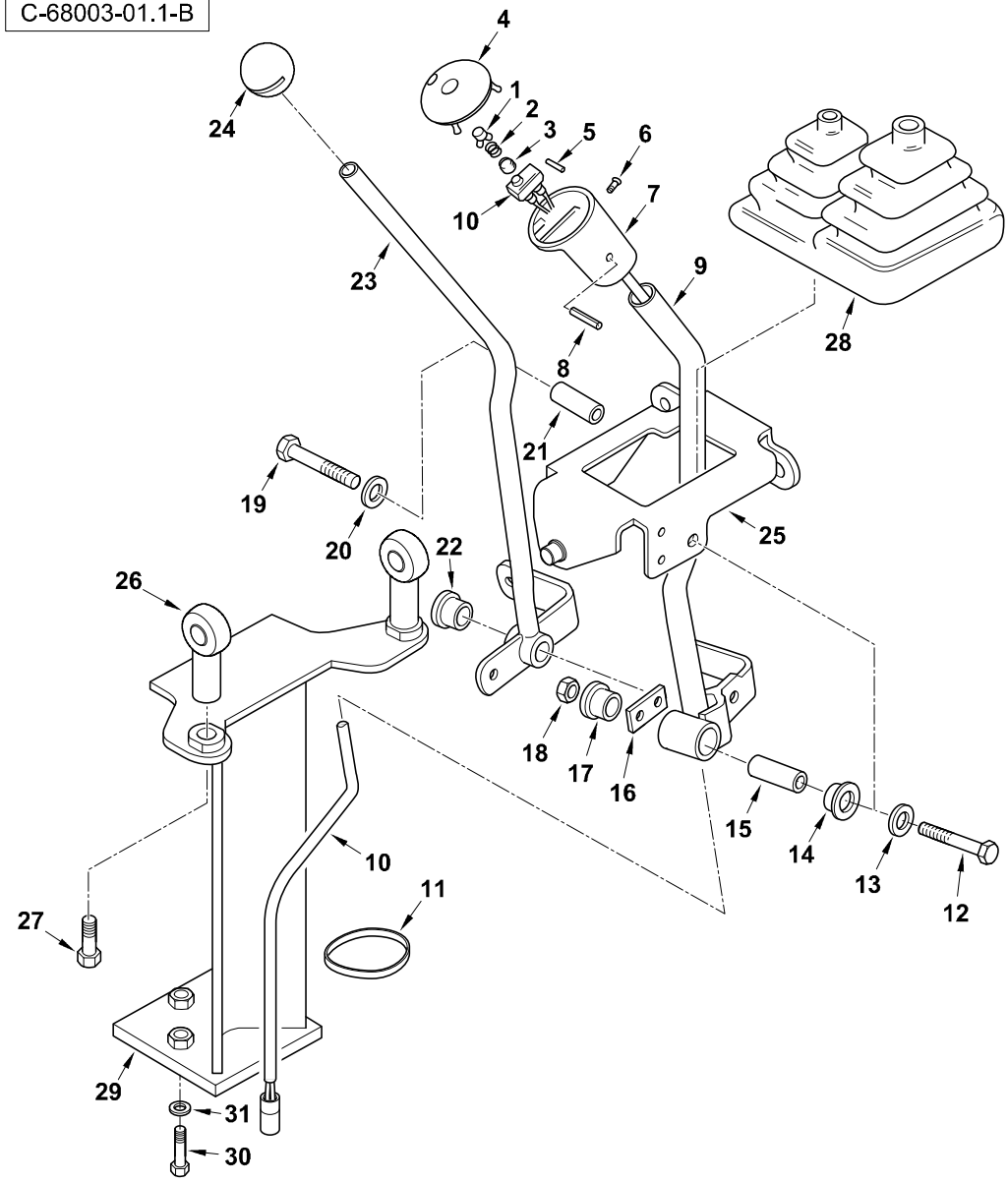
C-98217-02.1-A



Item	Part No.	Qty.	English	French	German	Spanish	Remarks
1	6111245M91	1	Valve - Hose Burst Dipper	Soupape	Ventil	Válvula De Bloqueo.	
2	#VALVE	1	Valve	Soupape	Ventil	Válvula	Ref. 1
3	#CARTRIDGE	1	Cartridge	Cartridge	Cartridge	Cartridge	Ref. 1
4	6111160M91	1	Tube Assy Dipper Hose Burst	Tuyauterie	Rohrleitung Kpl.	Conjunto De Tubería	
5	3517731M1	2	Clamp-Hose	Bride Pour Tutaux	Schlauchschelle	Argolla De Fijación	
6	6110008M91	1	Bracket Assy - Hose Burst Dipper	Patte Fixation	Halter	Cuchara, Conj.	
7	3009491X1	2	Bolt M10 X 20	Boulon	Maschschraube M10	Tornillo	
8	390734X1	2	Washer M10-21-2 Z	Rondelle - M10	Unterlegscheibe	Arandela	
9	6101624M91	1	Elbow 90deg-Long	Coude À 90°	Winkelstuck	Codo, 90°	
10	#ELBOW	1	Elbow	Elbow	Elbow	Elbow	Ref. 9
11	835024M1	1	Ring O - Boa	Joint Torique	O Ring	Junta De Tipo O	
12	835007M91	1	Elbow 90 Degree Adjust	Coude 90°	Kniestück 90°	Codo, 90°	
13	#ELBOW	1	Elbow	Elbow	Elbow	Elbow	Ref. 12
14	835024M1	1	Ring O - Boa	Joint Torique	O Ring	Junta De Tipo O	
15	6110004M91	1	Tube Assy - Dipper Cyl (Hose Burst)	Tuyauterie	Rohrleitung Kplt	Conjunto De Tubería	
16	6101954M91	1	Tee-Long	Raccord	Verschraubung	Te	
17	#TEE	1	Tee	Tee	Tee	Tee	Ref. 16
18	835024M1	1	Ring O - Boa	Joint Torique	O Ring	Junta De Tipo O	
19	6101955M91	1	Hose-Hose Burst Pilot Press.	Flexible Ass.	Schlauch Kplt	Flexible, Conj.	
20	357197X91	1	Elbow & O Ring	Coude	Kniestück, 90°	Codo, 90°	
21	#ELBOW	1	Elbow	Elbow	Elbow	Elbow	Ref. 20
22	831452M1	1	O Ring (Pack Of 10)	Joint Torique	O Ring	Junta De Tipo O	

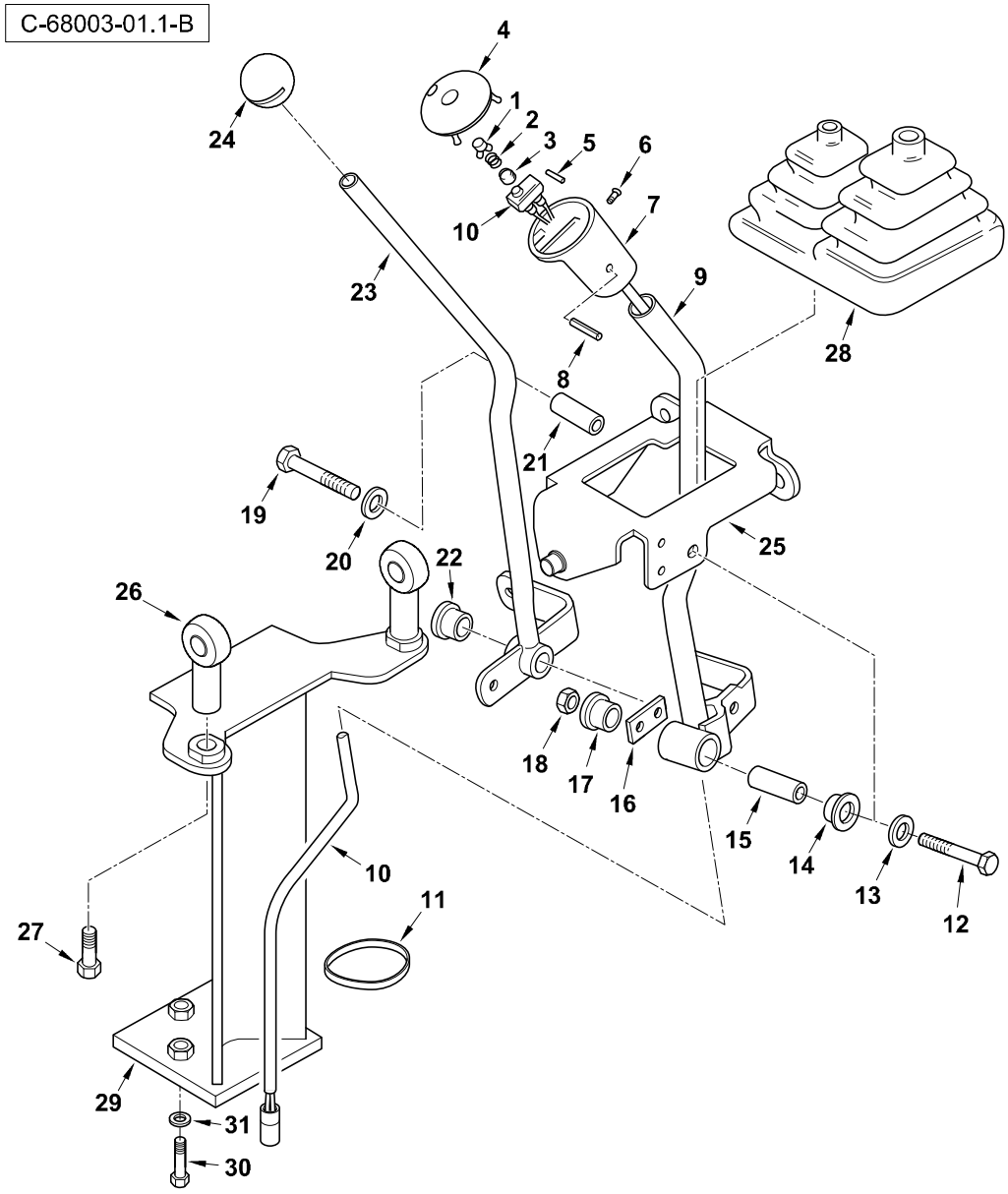


C-68003-01.1-B



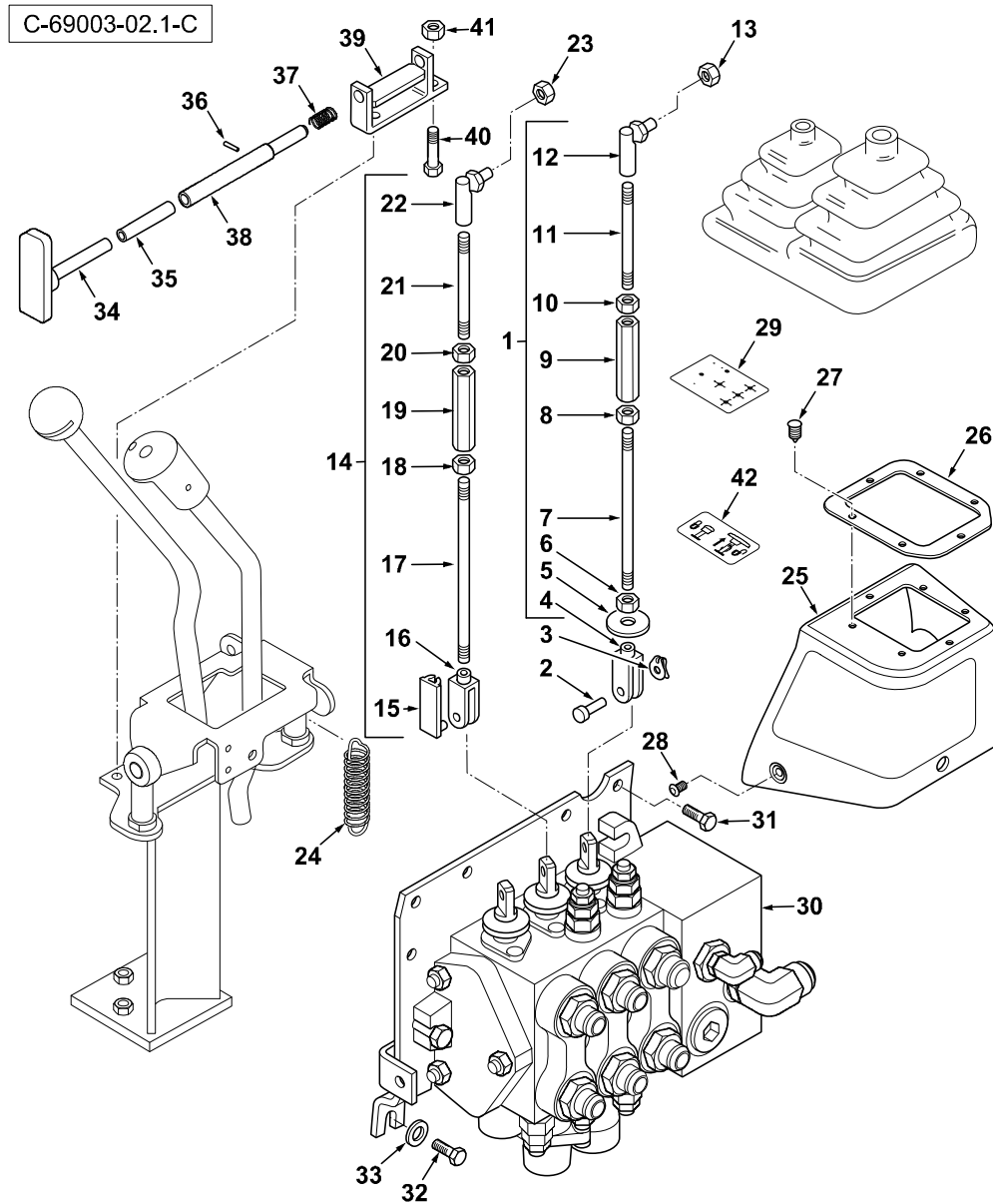
Item	Part No.	Qty.	English	French	German	Spanish	Remarks
1	3521894M4	2	Button Ldr Cntls	Bouton	Knopf	Botón	
2	3520328M3	2	Spring	Siege De Ressort	Feder	Muelle	
3	3522894M1	2	Boot Control Knob	Coffre	Schutzkappe	Fuelle	
4	3522285M5	1	Knob Top Ldr Cntl	Boule	Knauf	Bola	
5	3522507M3	4	Pin Parallel	Goupille D´Arrêt	Sicherungsstift	Pasador	
6	3516886M1	2	Screw C/Sk 1/4 Lng	Vis	Schraube	Tornillo	
7	3522621M5	1	Base Control Knob	Poignée De Levier	Griff	Empuñ. Palanca	
8	3019531X1	1	Pin - Roll	Goupille Elastique	Spannhulse	Pasador Elástico	
9	6109383M91	1	Lever - Loader Control W/Assy	Levier	Hebel	Palanca, Conj.	
10	3516043M94	1	Switch And Harness - Ldr. Cont. Lever	Interrupteur	Beschirring	Haz	
11	1664405M1	1	Tie Mm T50s	Attache Cable	Kabelbinder	Enlace De Cable	
12	339159X1	1	Bolt M8-65	Boulon	Bolzen	Tornillo	
13	6108769M1	1	Washer-M8 Nord-Lock	Rondelle De Blocage	Federring M8	Arandela De Freno	
14	6106560M1	1	Bush	Douille	Buechse	Anillo	
15	6106561M3	1	Spacer-Loader Controls	Entretoise	Abstandstueck	Traviesa	
16	6106562M1	1	Plate-L/Cont. Tie Bar	Barre	Stab	Placa	
17	6106560M1	1	Bush	Douille	Buechse	Anillo	
18	394367X1	1	Nut, Hex. - Nyloc, M8	Ecrou Blocage M8	Flachmutter - M8	Tuerca De Retención	
19	339291X1	1	Bolt M8-55 Z5s	Goupille	Bolzen M8 X 55	Tornillo	
20	6108769M1	1	Washer-M8 Nord-Lock	Rondelle De Blocage	Federring M8	Arandela De Freno	
21	6106561M3	1	Spacer-Loader Controls	Entretoise	Abstandstueck	Traviesa	
22	6106560M1	2	Bush	Douille	Buechse	Anillo	
23	6109386M91	1	Lever - Clam Control W/Assy	Levier	Hebel	Palanca, Conj.	
24	3509755M2	1	Knob Yellow	Boule	Knauf	Bola	
25	6109381M91	1	Cradle - Rexroth Valve W/Assy	Berceau	Fahrschemel	Soporte	
26	6102844M1	2	Rodend-M12 Spherical	Support De Fixation	Kugelkopf, Plastik	Soporte De Fijación	
27	3009505X1	2	Hex. Bolt, M12 X 25 - Coarse	Boulon	Bolzen M12 X 25	Perno	
28	6109928M1	1	Gaiter (Black) - Loader Lever	Souf•et	Manschette	Fuelle	
29	6109802M91	1	Loader Control Column Assy	Ensemble De Support	Haltevorrichtung	Apoyadero, Conj.	
30	339009X1	3	Bolt - M8 X 35	Boulon M8 X 35	Maschschraube M8	Tornillo	





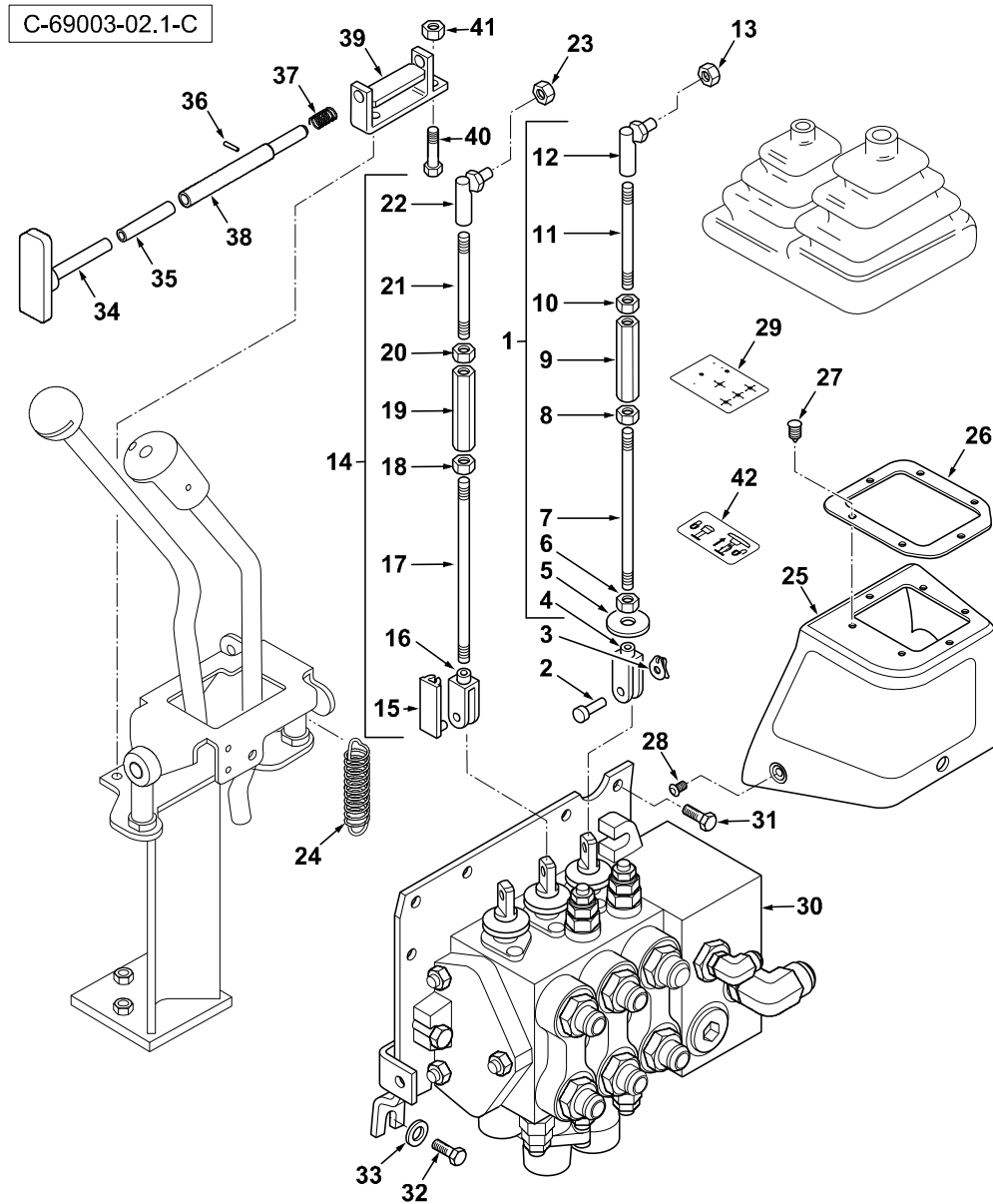
Item	Part No.	Qty.	English	French	German	Spanish	Remarks
31	339374X1	3	Washer M8 -21-2 Z	Rondelle Frein - M8	Federring - M8	Arandela De Freno	





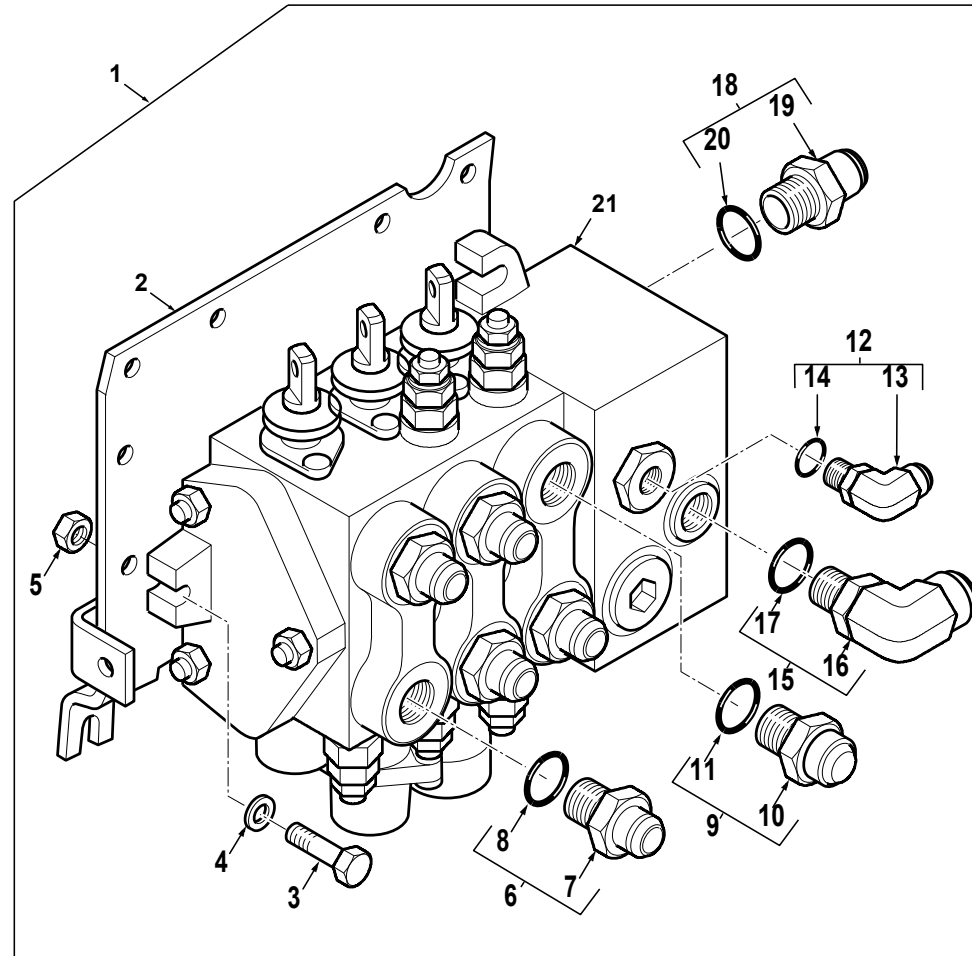
Item	Part No.	Qty.	English	French	German	Spanish	Remarks
1	6102738M93	1	Rod Assy. - Loader Control	Ensemble Tringlerie	Gestänge	Tirantes, Conj.	
2	6102816M1	1	Pin-Clevis	Axe De Chape	Gabelstift	Eje De Brida	
3	3516322M1	1	Clip, Spring - No.8	Clip	Klips	Clip	
4	3519590M1	1	Clevis LH Thread	Chape	Gabelverbindung	Brida	
5	3518878M3	1	Washer	Rondelle	Scheibe	Arandela	
6	3519650M1	1	Nut, Hex - M8, L/H Thread	Ecrou	Mutter	Tuerca	
7	#ROD	1	Rod	Rod	Rod	Rod	
8	339169X1	1	Nut, Hex. - M8, Coarse	Ecrou Métrique	Mutter Metrisch	Tuerca	
9	6102733M1	1	Turnbuckle M8	Tendeur De Tringle	Spannschloss	Torniquete	
10	3519650M1	1	Nut, Hex - M8, L/H Thread	Ecrou	Mutter	Tuerca	
11	#ROD	1	Rod	Rod	Rod	Rod	
12	3519589M1	1	Ball-Joint	Rotule	Kugelgelenk	Rotula	
13	394367X1	1	Nut, Hex. - Nyloc, M8	Ecrou Blocage M8	Flachmutter - M8	Tuerca De Retención	
14	6102737M92	2	Rod Assy. - Loader Control	Tringle	Stange	Tirantes, Conj.	
15	3520666M1	1	Pin W/ Spring Clip	Axe De Chape	Gabelstift	Eje De Brida	
16	3519590M1	1	Clevis LH Thread	Chape	Gabelverbindung	Brida	
17	#ROD	1	Rod	Rod	Rod	Rod	Ref. 14
18	339169X1	1	Nut, Hex. - M8, Coarse	Ecrou Métrique	Mutter Metrisch	Tuerca	
19	6102733M1	1	Turnbuckle M8	Tendeur De Tringle	Spannschloss	Torniquete	
20	3519650M1	1	Nut, Hex - M8, L/H Thread	Ecrou	Mutter	Tuerca	
21	#ROD	1	Rod	Rod	Rod	Rod	Ref. 14
22	3519589M1	1	Ball-Joint	Rotule	Kugelgelenk	Rotula	
23	394367X1	2	Nut, Hex. - Nyloc, M8	Ecrou Blocage M8	Flachmutter - M8	Tuerca De Retención	
24	6109761M1	1	Spring-Ldr Control	Siège De Ressort	Federsitz	Muelle	
25	6099536M1	1	Loader Tower - W/Lock (Grey)	Boite	Schachtel	Consola	
26	3516856M3	1	Plate, Gaiter - Loader Controls	Plaque	Platte	Placa	
27	3521303M3	6	Fastener, Plastic - Gear Lever Gaiter	Agrafe	Halteklammer	Enganche	
28	3512552M1	3	Screw Pan Hd.M5 X 12	Vis	Schraube	Tornillo	
29	6101874M1	1	Decal-Ldr Controls 7 In 1	Adhésif	Aufkleber	Adhesivo	
30	6109325M91	1	Valve Assembly - Loader Rexroth	Ensemble Distributio	Steuerventilblock Kp	Distribuidor, Conj.	68003c03.1 1





Item	Part No.	Qty.	English	French	German	Spanish	Remarks
31	3009492X1	2	Bolt - Hex. M10 X 25	Boulon M10 X 25	Schraube M10 X 25	Tornillo	
32	3009492X1	1	Bolt - Hex. M10 X 25	Boulon M10 X 25	Schraube M10 X 25	Tornillo	
33	385362X1	1	Washer, Hardened - M10	Rondelle - M10	Unterlegscheibe M10	Arandela	
34	6101939M91	1	Handle-T Assy	Poignée	Handgriff	Asa	
35	6101938M1	1	Spacer-Tube	Entretoise	Distanzstück	Traviesa	
36	1441736X1	1	Pin Spirol 5-26	Goupille D´Arrêt	Klappstecker	Pasador Elástico	
37	3516136M2	1	Spring	Siège De Ressort	Federsitz	Muelle	
38	3519365M1	1	Rod Locking	Tringle	Stange	Vástago	
39	6108293M92	1	Bracket Assy Loader Control	Patte Fixation	Halter	Cuchara, Conj.	
40	339666X1	2	Bolt M6-20 Z5f	Boulon M6 X 20	Maschschraube Metr M	Tornillo	
41	1441500X1	2	Nut M6 Z5 Nyloc	Ecrou	Flachmutter M6	Tuerca De Retención	
42	6101872M1	1	Decal - Loader Lever Lock	Adhésif	Aufkleber	Adhesivo	

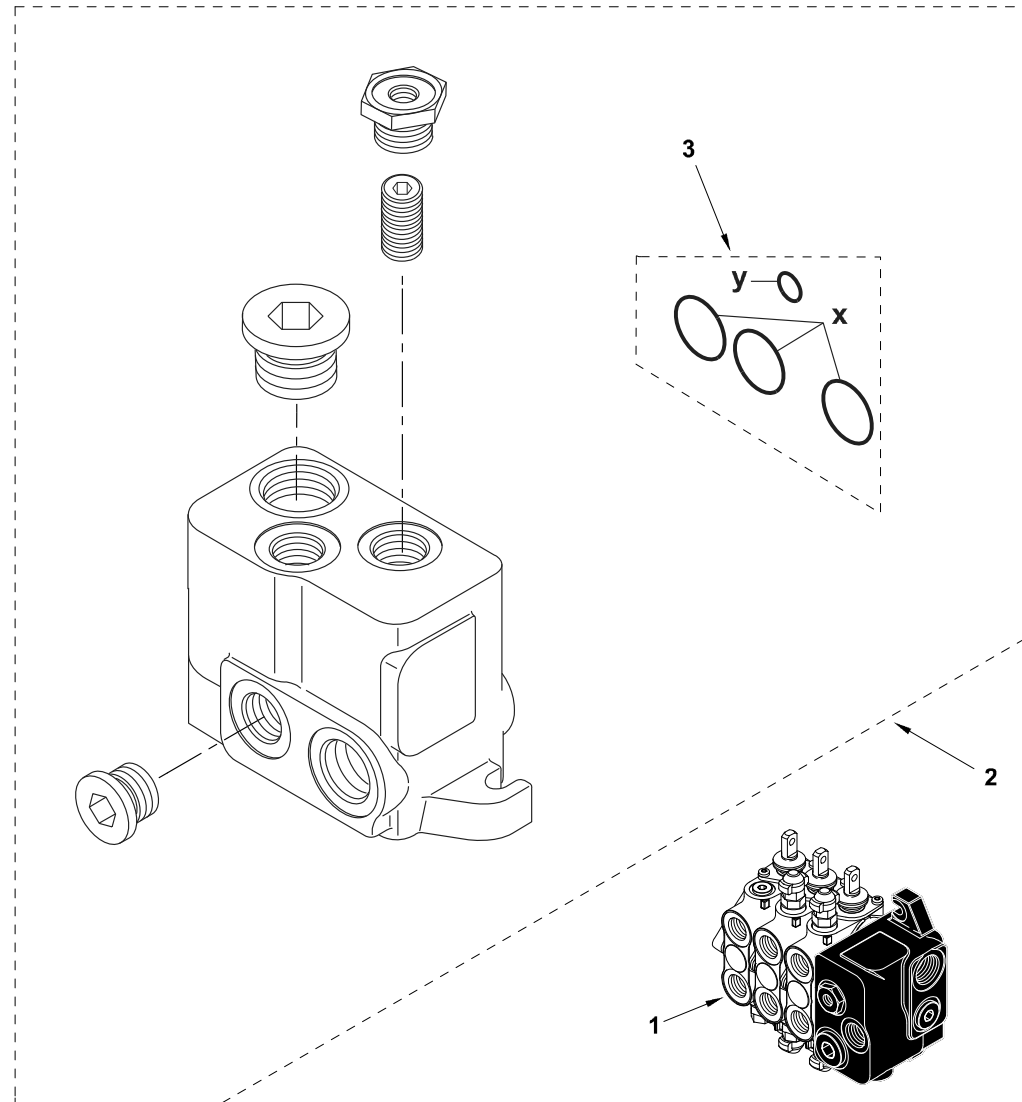
C-68003-03.1-A



Item	Part No.	Qty.	English	French	German	Spanish	Remarks
1	6109325M91	1	Valve Assembly - Loader Rexroth	Ensemble Distributio	Steuerventilblock Kp	Distribuidor, Conj.	
2	6109370M91	1	Plate - Rexroth Loader Valve W/Assy	Plaque	Platte	Placa, Conj.	
3	3009496X1	3	Bolt Hex - M10 X 45 (Coarse)	Boulon M10 X 45	Maschschraube - M10	Tornillo	
4	385362X1	3	Washer, Hardened - M10	Rondelle - M10	Unterlegscheibe M10	Arandela	
5	1440329X1	3	Nut, Hex. - Nyloc, M10	Ecrou Blocage	Flachmutter M10	Tuerca De Retención	
6	365715X91	5	Connector, Hydr.-Straight, 1 1/16 X 7/8	Borne	Doppelnippel	Conexión, Conj.	
7	#CONNECTOR	1	Connector	Connector	Connector	Connector	Ref. 6
8	835025M1	1	Ring O	Joint Torique	O Ring	Junta De Tipo O	
9	835057M91	1	Connector B1510m-12-12	Raccord	Schraubanschluss	Conexión, Conj.	
10	#CONNECTOR	1	Connector	Connector	Connector	Connector	Ref. 9
11	835025M1	1	Ring O	Joint Torique	O Ring	Junta De Tipo O	
12	357197X91	1	Elbow & O Ring	Coude	Kniestück, 90°	Codo, 90°	
13	#ELBOW	1	Elbow	Elbow	Elbow	Elbow	Ref. 12
14	831452M1	1	O Ring (Pack Of 10)	Joint Torique	O Ring	Junta De Tipo O	
15	358764X91	1	Elbow 90 Deg	Coude 90°	Kniestück, 90°	Codo, 90°	
16	#ELBOW	1	Elbow	Elbow	Elbow	Elbow	Ref. 15
17	835025M1	1	Ring O	Joint Torique	O Ring	Junta De Tipo O	
18	835014M91	1	Connector - 1 5/16" To 1 5/16"	Borne	Doppelnippel	Unión	
19	#CONNECTOR	1	Connector	Connector	Connector	Connector	Ref. 18
20	835026M1	1	O-Ring	Joint Torique	O-Ring	Junta De Tipo O	
21	6109210M91	1	Valve - Loader 3 Spool Mechanical	Ensemble Distributio	Steuerventilblock Kp	Distribuidor, Conj.	68003c04.1 1



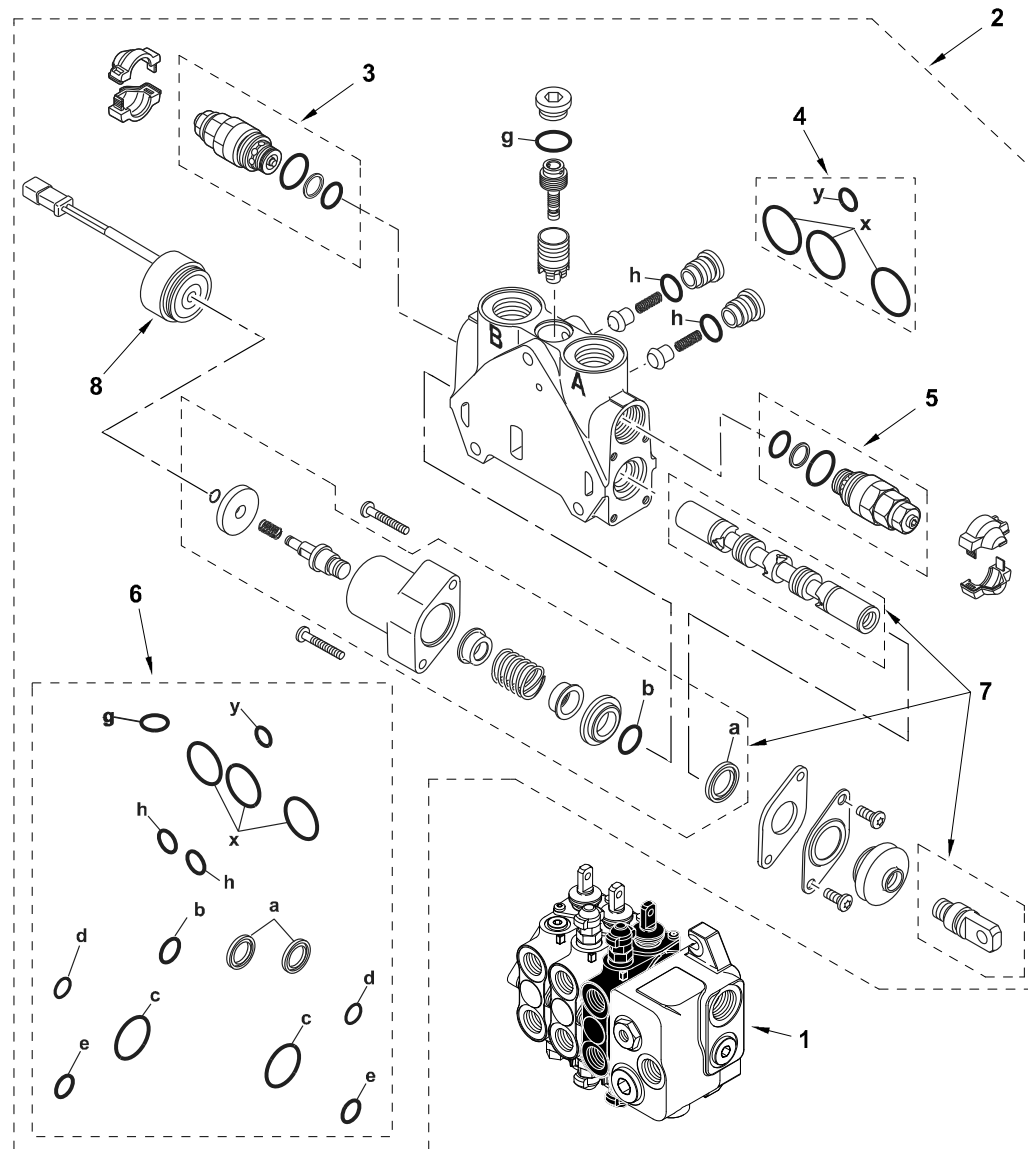
C-68003-04.1-A



Item	Part No.	Qty.	English	French	German	Spanish	Remarks
1	6109210M91	1	Valve - Loader 3 Spool Mechanical	Ensemble Distributio	Steverventilblock Kp	Distribuidor, Conj.	
2	6194535M91	1	Element - Inlet	Element - Soupape	Element - Ventil	Elemento - Válvula	Inlet
3	6193771M91	1	Seal Interface Kit	Pochette De Joints	Dichsatz	Juego De Juntas	



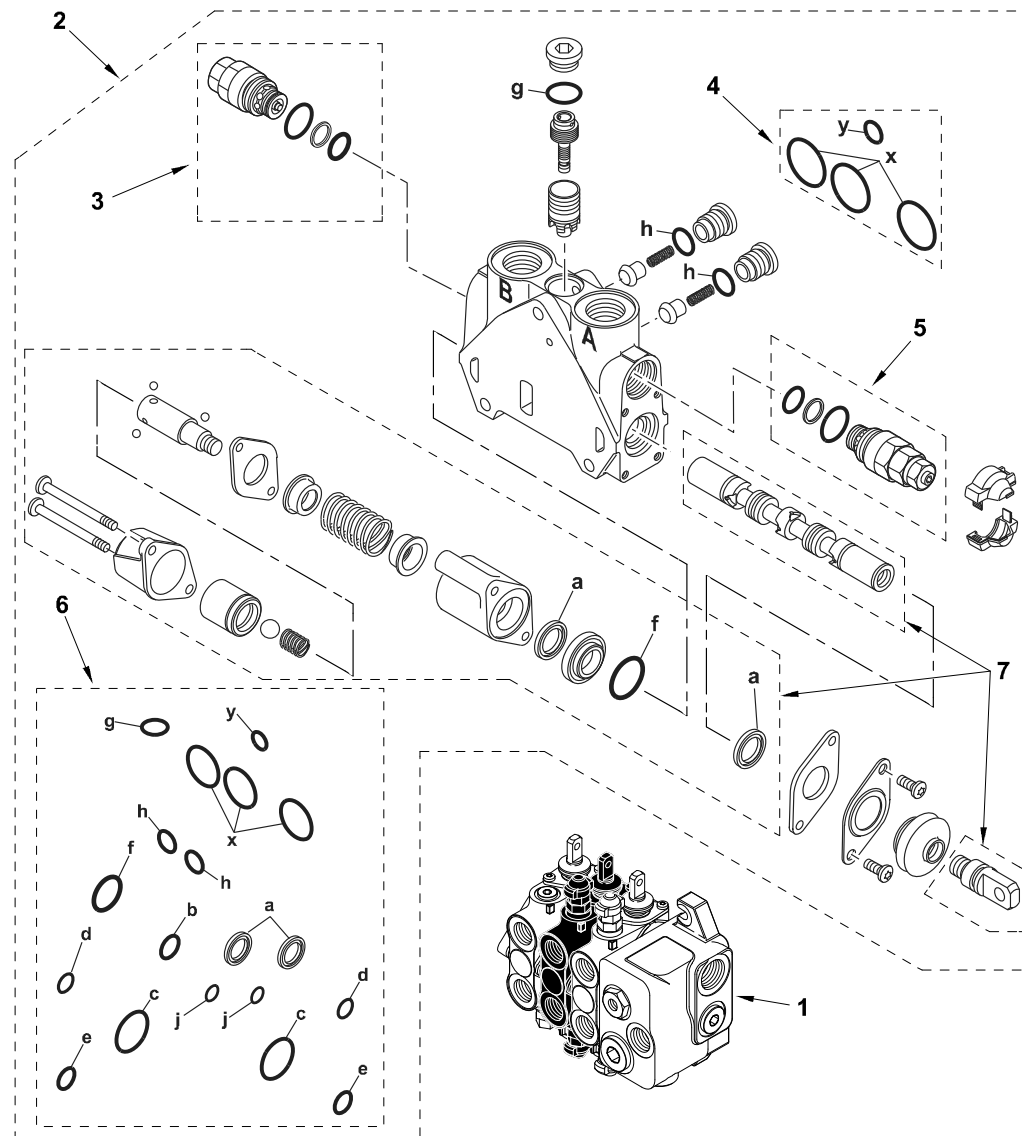
C-68003-05.1-C



Item	Part No.	Qty.	English	French	German	Spanish	Remarks
1	6109210M91	1	Valve - Loader 3 Spool Mechanical	Ensemble Distributio	Steverventilblock Kp	Distribuidor, Conj.	
2	6194531M91	1	Element - Bucket	Element - Soupape	Element - Ventil	Elemento - Válvula	
3	6193804M91	1	Pressure Relief Valve H (310 Bar)	Valve Decharge	Druckbegrventil	Válvula De Seguridad	
4	6193771M91	1	Seal Interface Kit	Pochette De Joints	Dichsatz	Juego De Juntas	
5	6193801M91	1	Pressure Relief Valve H (345 Bar)	Valve Decharge	Druckbegrventil	Válvula De Seguridad	
6	6193781M91	1	Seal Kit Complete	Jeu Etancheite	Dichtringsatz	Juege De Juntas	
7	6194835M91	1	Spool Kit (Slice - Loader Bucket)	Jeu Tiroir	Schieber Satz	Juego Carrete	
8	6195101M91	1	Solenoid Kit	Solenoide	Magnetspule	Solenoide, Conj.	



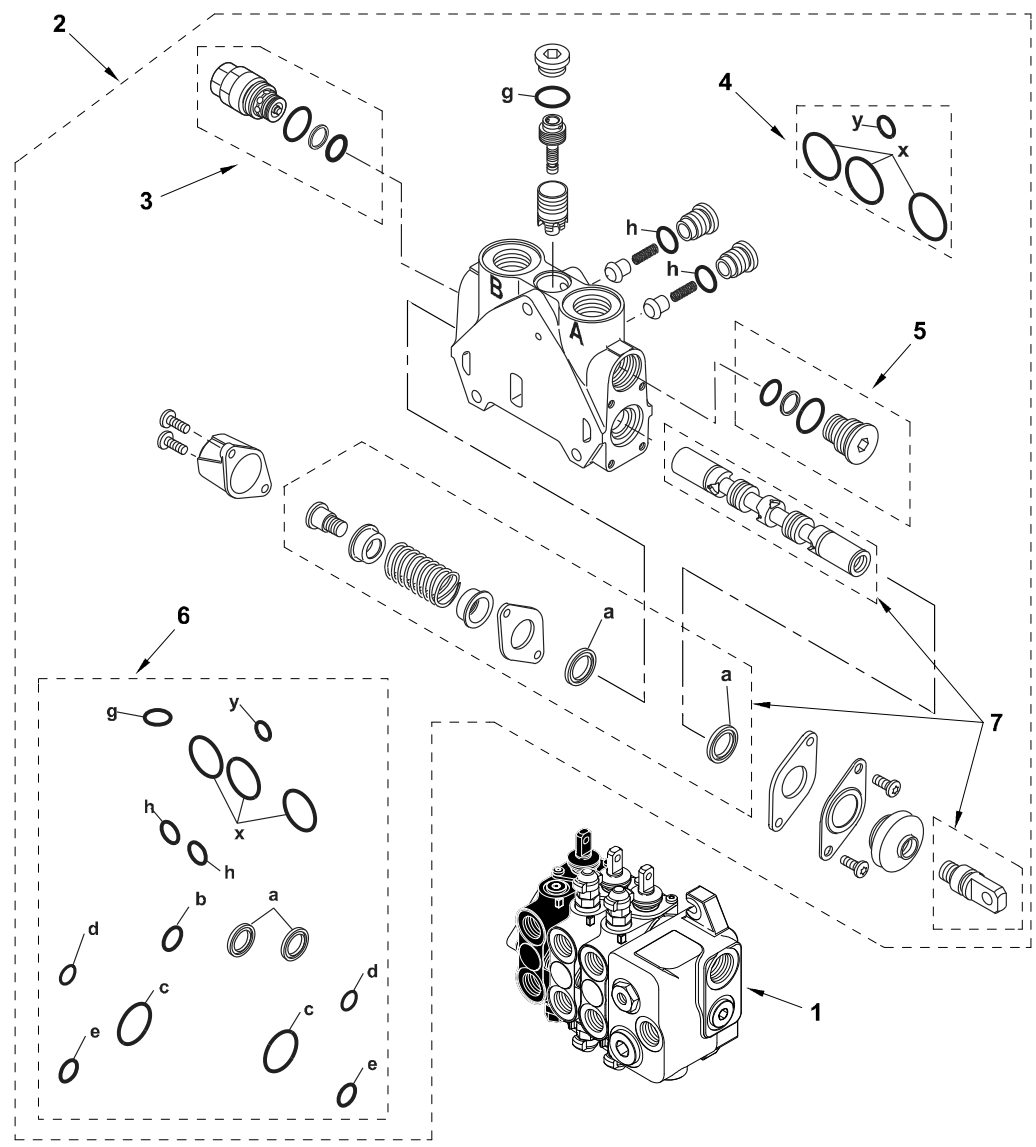
C-68003-06.1-B



Item	Part No.	Qty.	English	French	German	Spanish	Remarks
1	6109210M91	1	Valve - Loader 3 Spool Mechanical	Ensemble Distributio	Steverventilblock Kp	Distribuidor, Conj.	Continued
2	6194532M91	1	Element - Dipper	Element - Soupape	Element - Ventil	Elemento - Válvula	
3	6193782M91	1	Anti-Cavitation Valve E Port B	Ensemble De Soupape	Ventil Kpl.	Válvula, Conj.	
4	6193771M91	1	Seal Interface Kit	Pochette De Joints	Dichsatz	Juego De Juntas	
5	6193800M91	1	Pressure Relief Valve H 240 Bar	Valve Decharge	Druckbegrventil	Válvula De Seguridad	
6	6194518M91	1	Seal Kit	Jeu Etancheite	Dichtringsatz	Juego De Juntas	
7	6194836M91	1	Spool Kit (Slice - Loader Arm)	Jeu Tiroir	Schieber Satz	Juego Carrete	



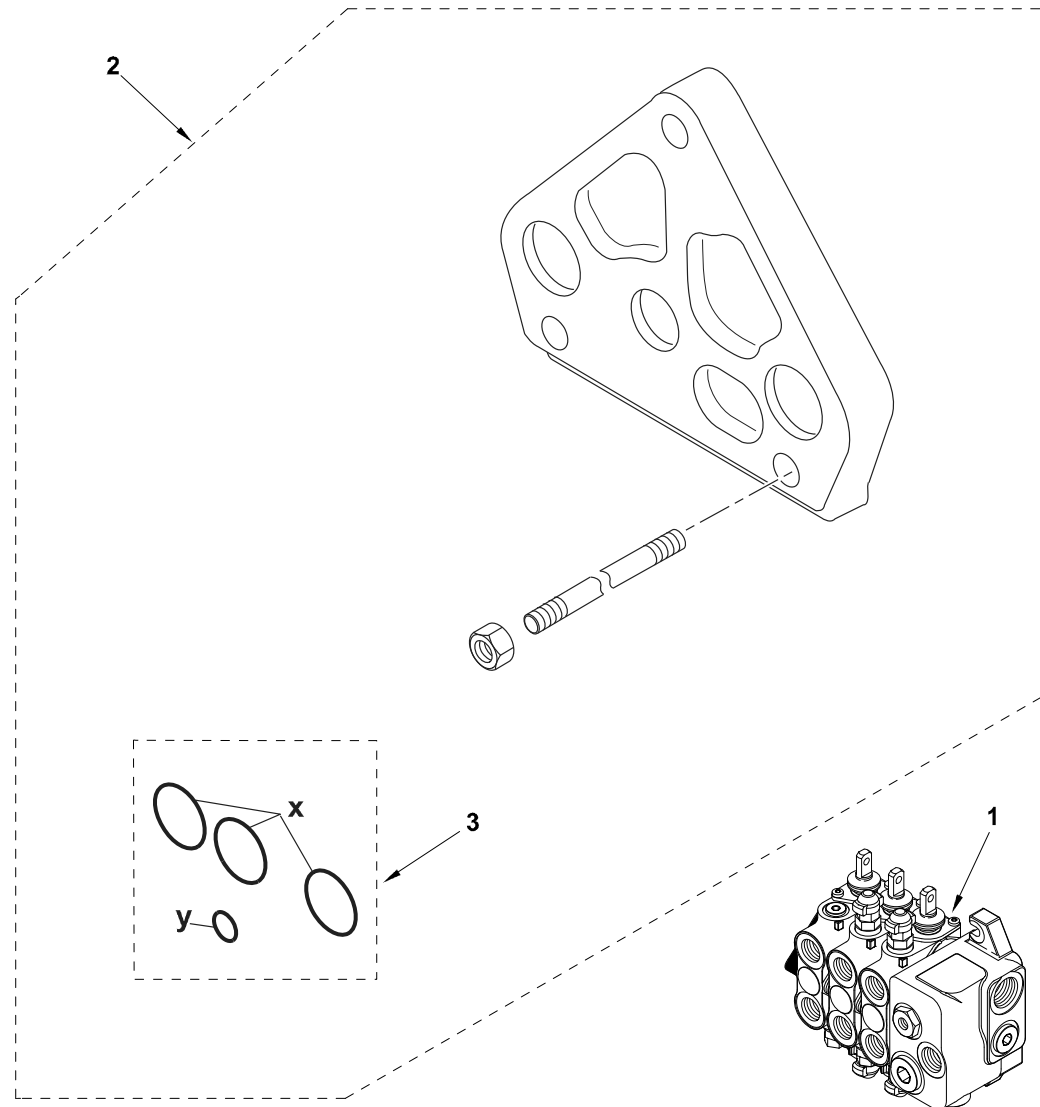
C-68003-07.1-B



Item	Part No.	Qty.	English	French	German	Spanish	Remarks
1	6109210M91	1	Valve - Loader 3 Spool Mechanical	Ensemble Distributio	Steverventilblock Kp	Distribuidor, Conj.	
2	6194533M91	1	Element - 4 X 1	Element - Soupape	Element - Ventil	Elemento - Válvula	
3	6193782M91	1	Anti-Cavitation Valve E Port B	Ensemble De Soupape	Ventil Kpl.	Válvula, Conj.	
4	6193771M91	1	Seal Interface Kit	Pochette De Joints	Dichsatz	Juego De Juntas	
5	6193785M91	1	Plug Q - Port B	Bouchon	Stopfen	Tapón, Conj.	
6	6193791M91	1	Seal Kit - L/S Valve	Jeu Étanchéité	Dichtringsatz	Juego De Juntas	
7	6194828M91	1	Spool Kit (Slice - Bucket 4 In 1 Loader)	Jeu Tiroir	Schieber Satz	Juego Carrete	



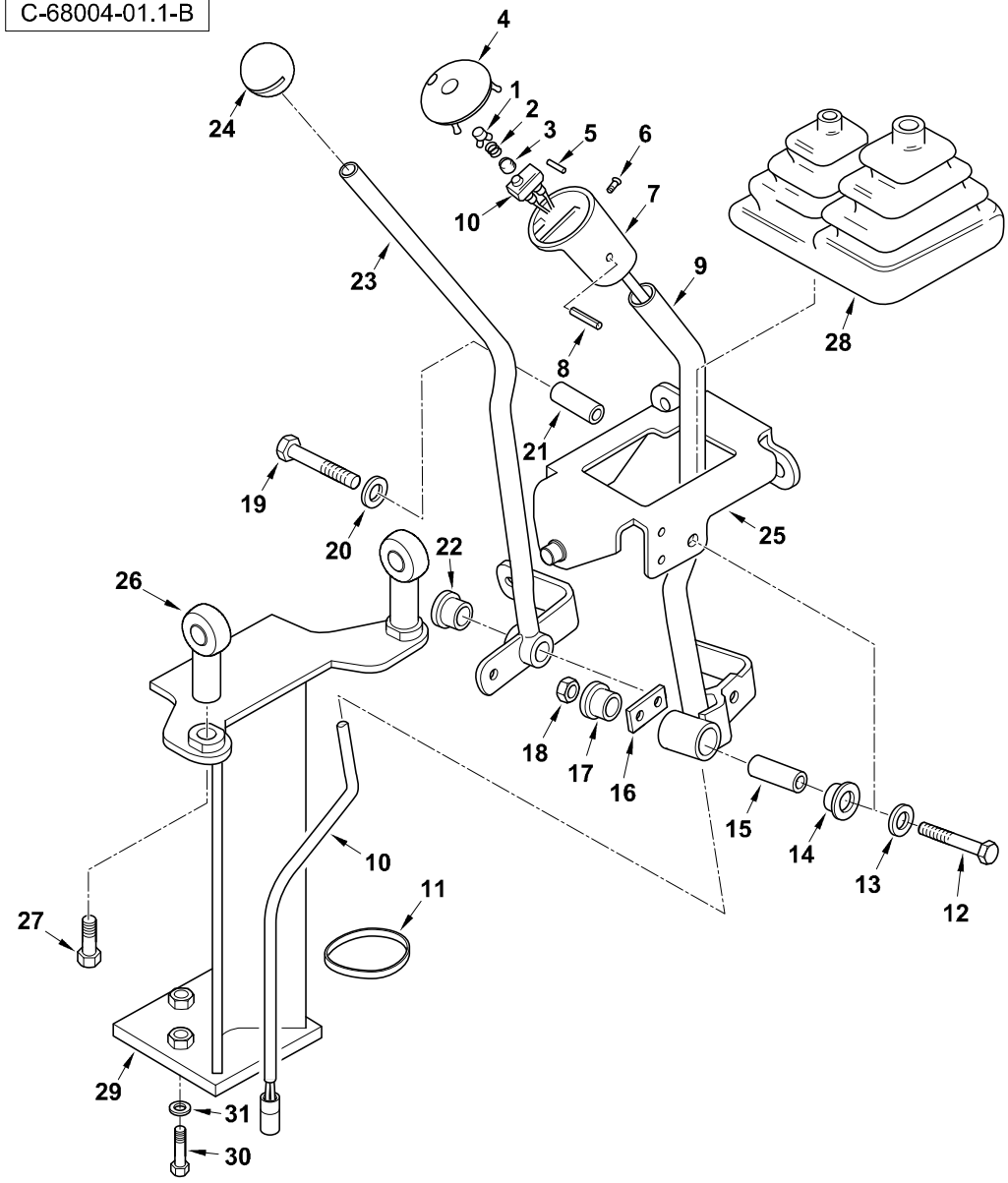
C-68003-08.1-A



Item	Part No.	Qty.	English	French	German	Spanish	Remarks
1	6109210M91	1	Valve - Loader 3 Spool Mechanical	Ensemble Distributio	Steverventilblock Kp	Distribuidor, Conj.	
2	6194517M91	1	Element - Outlet	Element - Soupape	Element - Ventil	Elemento - Válvula	
3	6193771M91	1	Seal Interface Kit	Pochette De Joints	Dichsatz	Juego De Juntas	



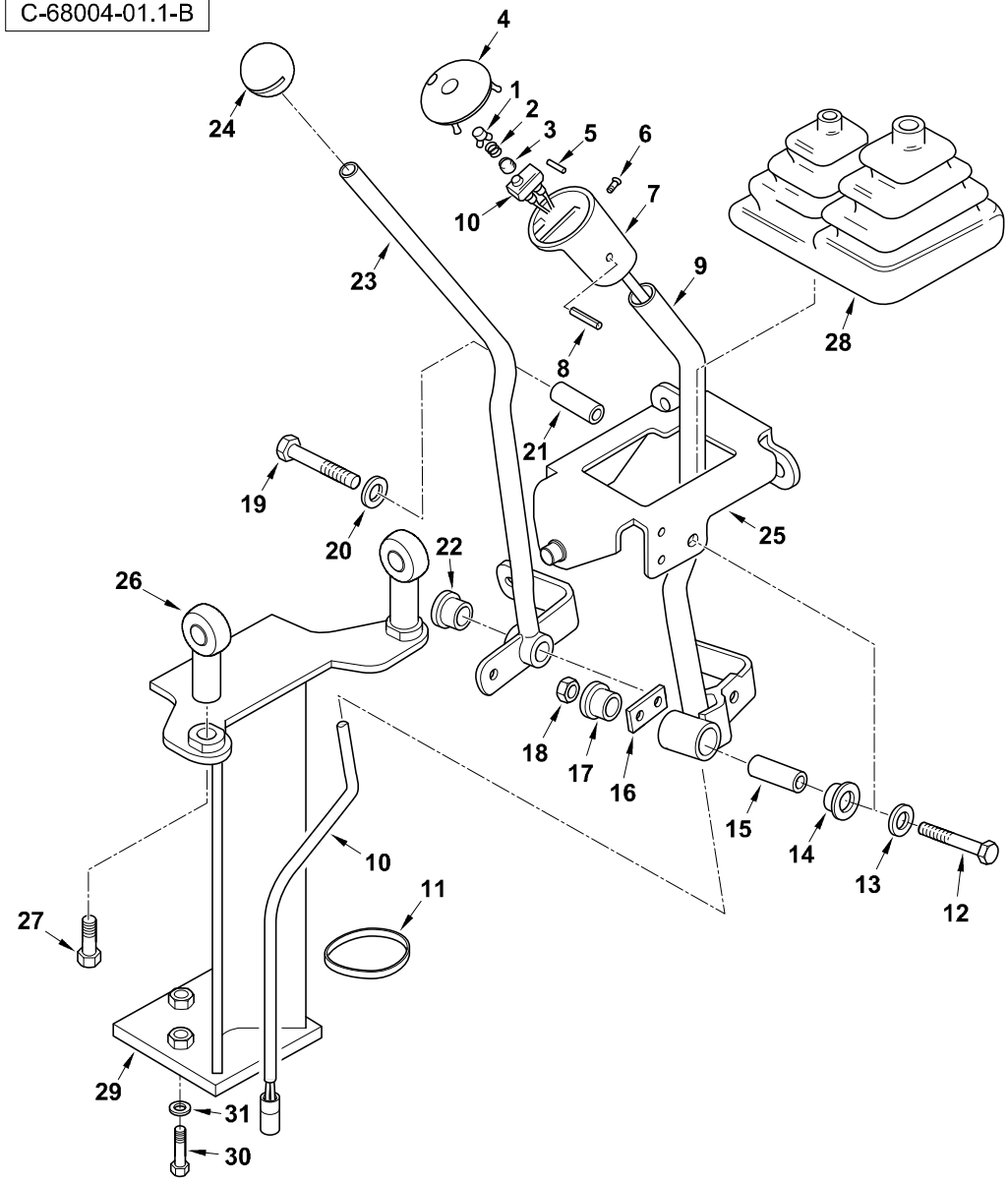
C-68004-01.1-B



Item	Part No.	Qty.	English	French	German	Spanish	Remarks
1	3521894M4	2	Button Ldr Cntls	Bouton	Knopf	Botón	
2	3520328M3	2	Spring	Siege De Ressort	Feder	Muelle	
3	3522894M1	2	Boot Control Knob	Coffre	Schutzkappe	Fuelle	
4	3522285M5	1	Knob Top Ldr Cntl	Boule	Knauf	Bola	
5	3522507M3	4	Pin Parallel	Goupille D´Arrêt	Sicherungsstift	Pasador	
6	3516886M1	2	Screw C/Sk 1/4 Lng	Vis	Schraube	Tornillo	
7	3522621M5	1	Base Control Knob	Poignée De Levier	Griff	Empuñ. Palanca	
8	3019531X1	1	Pin - Roll	Goupille Elastique	Spannhulse	Pasador Elástico	
9	6109383M91	1	Lever - Loader Control W/Assy	Levier	Hebel	Palanca, Conj.	
10	3516043M94	1	Switch And Harness - Ldr. Cont. Lever	Interrupteur	Beschirring	Haz	
11	1664405M1	1	Tie Mm T50s	Attache Cable	Kabelbinder	Enlace De Cable	
12	339159X1	1	Bolt M8-65	Boulon	Bolzen	Tornillo	
13	6108769M1	1	Washer-M8 Nord-Lock	Rondelle De Blocage	Federring M8	Arandela De Freno	
14	6106560M1	1	Bush	Douille	Buechse	Anillo	
15	6106561M3	1	Spacer-Loader Controls	Entretoise	Abstandstueck	Traviesa	
16	6106562M1	1	Plate-L/Cont. Tie Bar	Barre	Stab	Placa	
17	6106560M1	1	Bush	Douille	Buechse	Anillo	
18	394367X1	1	Nut, Hex. - Nyloc, M8	Ecrou Blocage M8	Flachmutter - M8	Tuerca De Retención	
19	339291X1	1	Bolt M8-55 Z5s	Goupille	Bolzen M8 X 55	Tornillo	
20	6108769M1	1	Washer-M8 Nord-Lock	Rondelle De Blocage	Federring M8	Arandela De Freno	
21	6106561M3	1	Spacer-Loader Controls	Entretoise	Abstandstueck	Traviesa	
22	6106560M1	2	Bush	Douille	Buechse	Anillo	
23	6109386M91	1	Lever - Clam Control W/Assy	Levier	Hebel	Palanca, Conj.	
24	3509755M2	1	Knob Yellow	Boule	Knauf	Bola	
25	6109381M91	1	Cradle - Rexroth Valve W/Assy	Berceau	Fahrschemel	Soporte	
26	6102844M1	2	Rodend-M12 Spherical	Support De Fixation	Kugelkopf, Plastik	Soporte De Fijación	
27	3009505X1	2	Hex. Bolt, M12 X 25 - Coarse	Boulon	Bolzen M12 X 25	Perno	
28	6109928M1	1	Gaiter (Black) - Loader Lever	Souf•et	Manschette	Fuelle	
29	6109802M91	1	Loader Control Column Assy	Ensemble De Support	Haltevorrichtung	Apoyadero, Conj.	
30	339009X1	3	Bolt - M8 X 35	Boulon M8 X 35	Maschsraube M8	Tornillo	



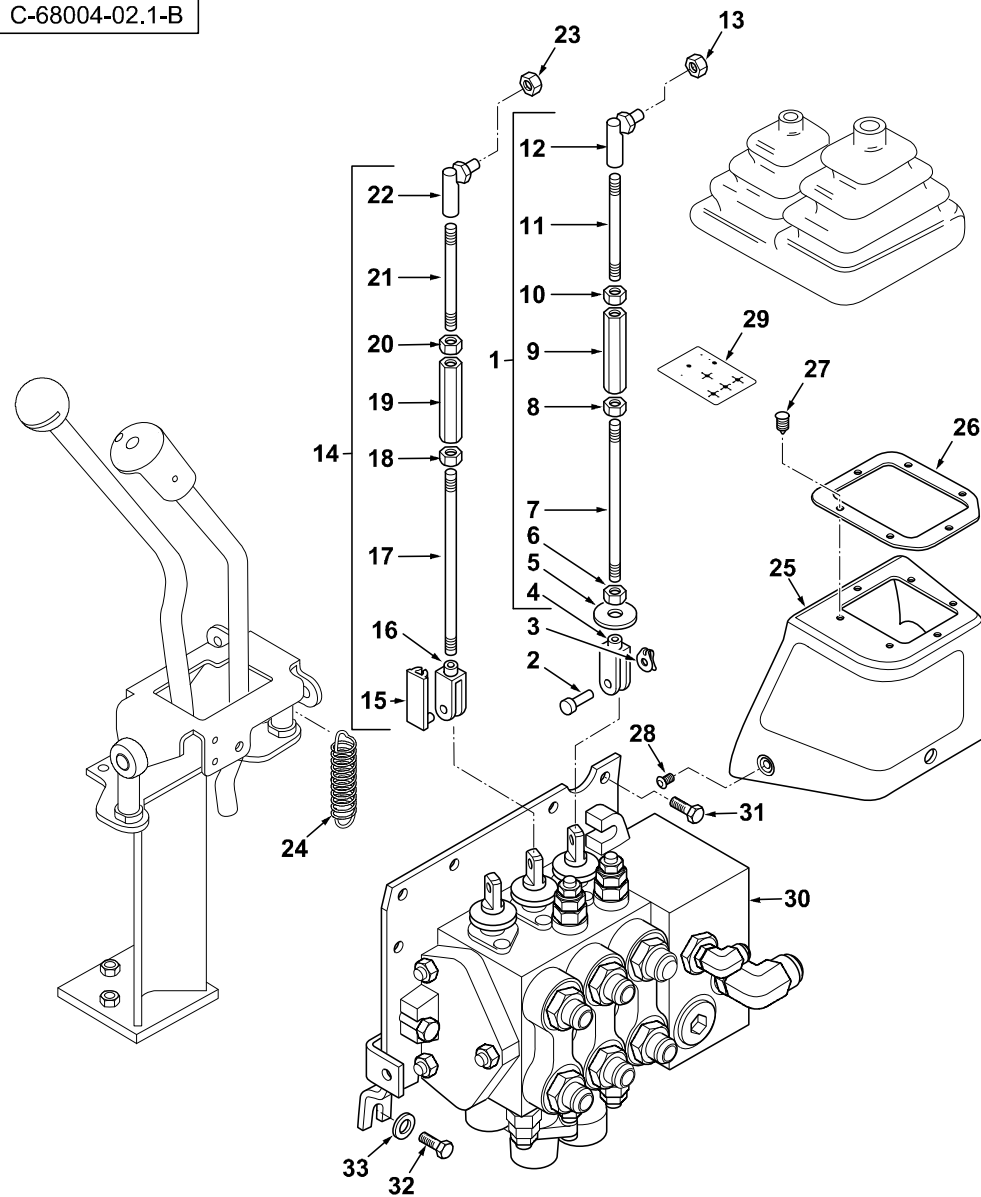
C-68004-01.1-B



Item	Part No.	Qty.	English	French	German	Spanish	Remarks
31	339374X1	3	Washer M8 -21-2 Z	Rondelle Frein - M8	Federring - M8	Arandela De Freno	



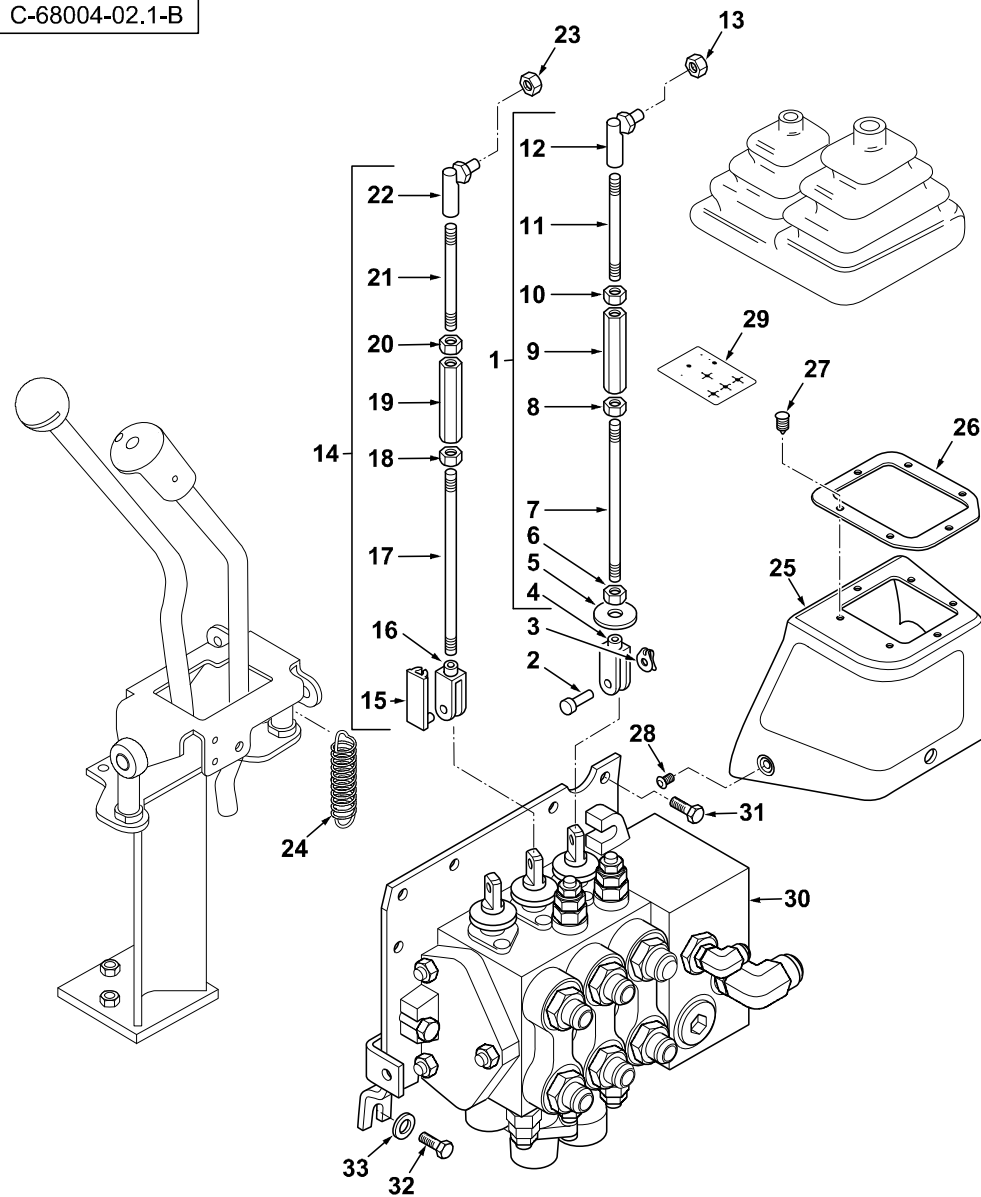
C-68004-02.1-B



Item	Part No.	Qty.	English	French	German	Spanish	Remarks
1	6102738M93	1	Rod Assy. - Loader Control	Ensemble Tringlerie	Gestänge	Tirantes, Conj.	
2	6102816M1	1	Pin-Clevis	Axe De Chape	Gabelstift	Eje De Brida	
3	3516322M1	1	Clip, Spring - No.8	Clip	Klips	Clip	
4	3519590M1	1	Clevis LH Thread	Chape	Gabelverbindung	Brida	
5	3518878M3	1	Washer	Rondelle	Scheibe	Arandela	
6	3519650M1	1	Nut, Hex - M8, L/H Thread	Ecrou	Mutter	Tuerca	
7	#ROD	1	Rod	Rod	Rod	Rod	
8	339169X1	1	Nut, Hex. - M8, Coarse	Ecrou Métrique	Mutter Metrisch	Tuerca	
9	6102733M1	1	Turnbuckle M8	Tendeur De Tringle	Spannschloss	Torniquete	
10	3519650M1	1	Nut, Hex - M8, L/H Thread	Ecrou	Mutter	Tuerca	
11	#ROD	1	Rod	Rod	Rod	Rod	
12	3519589M1	1	Ball-Joint	Rotule	Kugelgelenk	Rotula	
13	394367X1	1	Nut, Hex. - Nyloc, M8	Ecrou Blocage M8	Flachmutter - M8	Tuerca De Retención	
14	6102737M92	2	Rod Assy. - Loader Control	Tringle	Stange	Tirantes, Conj.	
15	3520666M1	1	Pin W/ Spring Clip	Axe De Chape	Gabelstift	Eje De Brida	
16	3519590M1	1	Clevis LH Thread	Chape	Gabelverbindung	Brida	
17	#ROD	1	Rod	Rod	Rod	Rod	Ref. 14
18	339169X1	1	Nut, Hex. - M8, Coarse	Ecrou Métrique	Mutter Metrisch	Tuerca	
19	6102733M1	1	Turnbuckle M8	Tendeur De Tringle	Spannschloss	Torniquete	
20	3519650M1	1	Nut, Hex - M8, L/H Thread	Ecrou	Mutter	Tuerca	
21	#ROD	1	Rod	Rod	Rod	Rod	Ref. 14
22	3519589M1	1	Ball-Joint	Rotule	Kugelgelenk	Rotula	
23	394367X1	2	Nut, Hex. - Nyloc, M8	Ecrou Blocage M8	Flachmutter - M8	Tuerca De Retención	
24	6109761M1	1	Spring-Ldr Control	Siège De Ressort	Federsitz	Muelle	
25	6099522M2	1	Loader Control Tower - W/O Lock (Grey)	Console	Konsole	Consola	
26	3516856M3	1	Plate, Gaiter - Loader Controls	Plaque	Platte	Placa	
27	3521303M3	6	Fastener, Plastic - Gear Lever Gaiter	Agrafe	Halteklammer	Eganche	
28	3512552M1	3	Screw Pan Hd.M5 X 12	Vis	Schraube	Tornillo	
29	6101874M1	1	Decal-Ldr Controls 7 In 1	Adhésif	Aufkleber	Adhesivo	
30	6109325M91	1	Valve Assembly - Loader Rexroth	Ensemble Distributio	Steuerventilblock Kp	Distribuidor, Conj.	68004c03.1 1



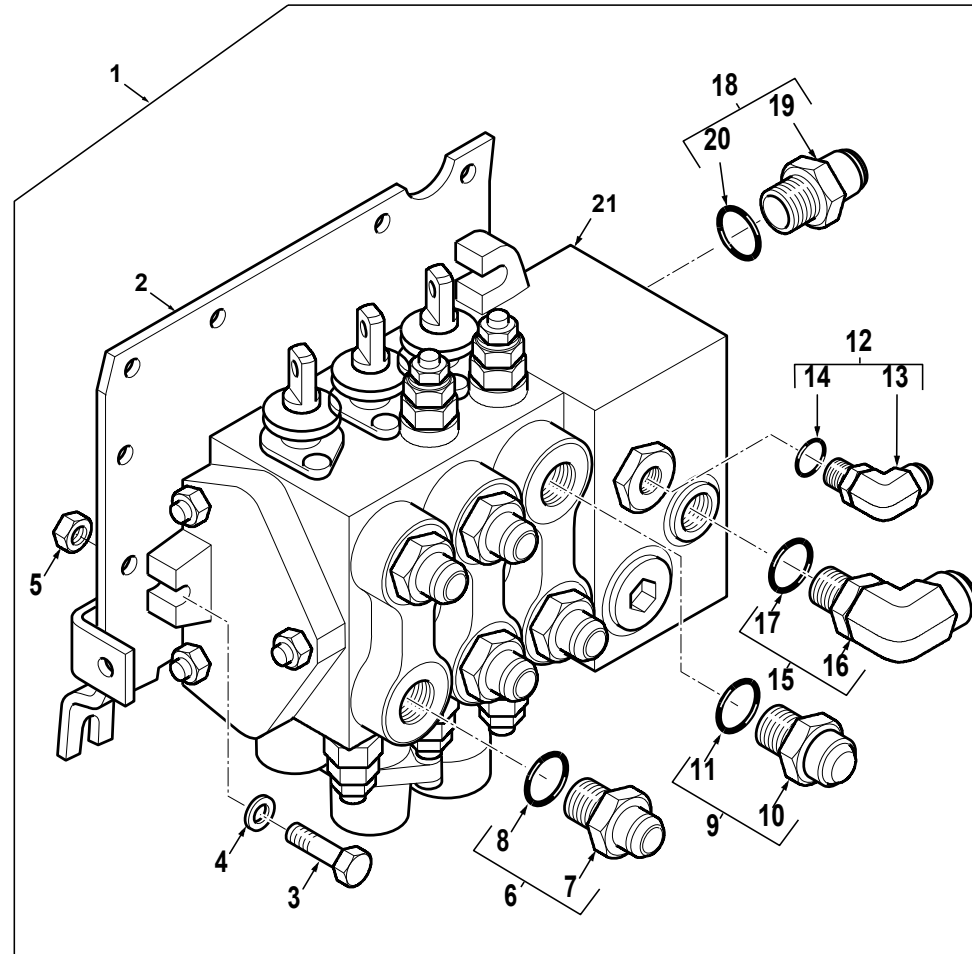
C-68004-02.1-B



Item	Part No.	Qty.	English	French	German	Spanish	Remarks
31	3009492X1	2	Bolt - Hex. M10 X 25	Boulon M10 X 25	Schraube M10 X 25	Tornillo	
32	3009492X1	1	Bolt - Hex. M10 X 25	Boulon M10 X 25	Schraube M10 X 25	Tornillo	
33	385362X1	1	Washer, Hardened - M10	Rondelle - M10	Unterlegscheibe M10	Arandela	



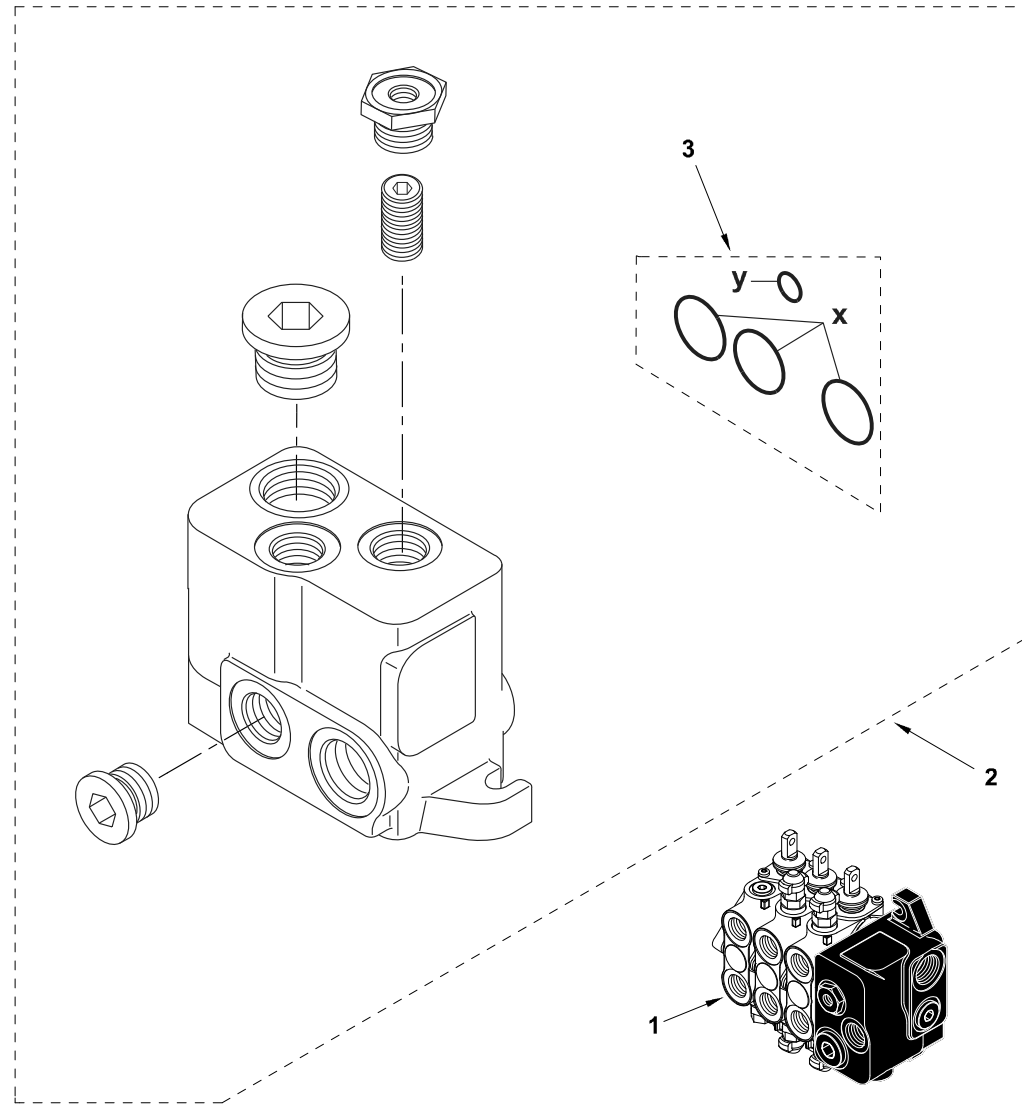
C-68004-03.1-A



Item	Part No.	Qty.	English	French	German	Spanish	Remarks
1	6109325M91	1	Valve Assembly - Loader Rexroth	Ensemble Distributio	Steuerventilblock Kp	Distribuidor, Conj.	
2	6109370M91	1	Plate - Rexroth Loader Valve W/Assy	Plaque	Platte	Placa, Conj.	
3	3009496X1	3	Bolt Hex - M10 X 45 (Coarse)	Boulon M10 X 45	Maschschraube - M10	Tornillo	
4	385362X1	3	Washer, Hardened - M10	Rondelle - M10	Unterlegscheibe M10	Arandela	
5	1440329X1	3	Nut, Hex. - Nyloc, M10	Ecrou Blocage	Flachmutter M10	Tuerca De Retención	
6	365715X91	5	Connector, Hydr.-Straight, 1 1/16 X 7/8	Borne	Doppelnippel	Conexión, Conj.	
7	#CONNECTOR	1	Connector	Connector	Connector	Connector	Ref. 6
8	835025M1	1	Ring O	Joint Torique	O Ring	Junta De Tipo O	
9	835057M91	1	Connector B1510m-12-12	Raccord	Schraubanschluss	Conexión, Conj.	
10	#CONNECTOR	1	Connector	Connector	Connector	Connector	Ref. 9
11	835025M1	1	Ring O	Joint Torique	O Ring	Junta De Tipo O	
12	357197X91	1	Elbow & O Ring	Coude	Kniestück, 90°	Codo, 90°	
13	#ELBOW	1	Elbow	Elbow	Elbow	Elbow	Ref. 12
14	831452M1	1	O Ring (Pack Of 10)	Joint Torique	O Ring	Junta De Tipo O	
15	358764X91	1	Elbow 90 Deg	Coude 90°	Kniestück, 90°	Codo, 90°	
16	#ELBOW	1	Elbow	Elbow	Elbow	Elbow	Ref. 15
17	835025M1	1	Ring O	Joint Torique	O Ring	Junta De Tipo O	
18	835014M91	1	Connector - 1 5/16" To 1 5/16"	Borne	Doppelnippel	Unión	
19	#CONNECTOR	1	Connector	Connector	Connector	Connector	Ref. 18
20	835026M1	1	O-Ring	Joint Torique	O-Ring	Junta De Tipo O	
21	6109210M91	1	Valve - Loader 3 Spool Mechanical	Ensemble Distributio	Steuerventilblock Kp	Distribuidor, Conj.	68004c04.1 1



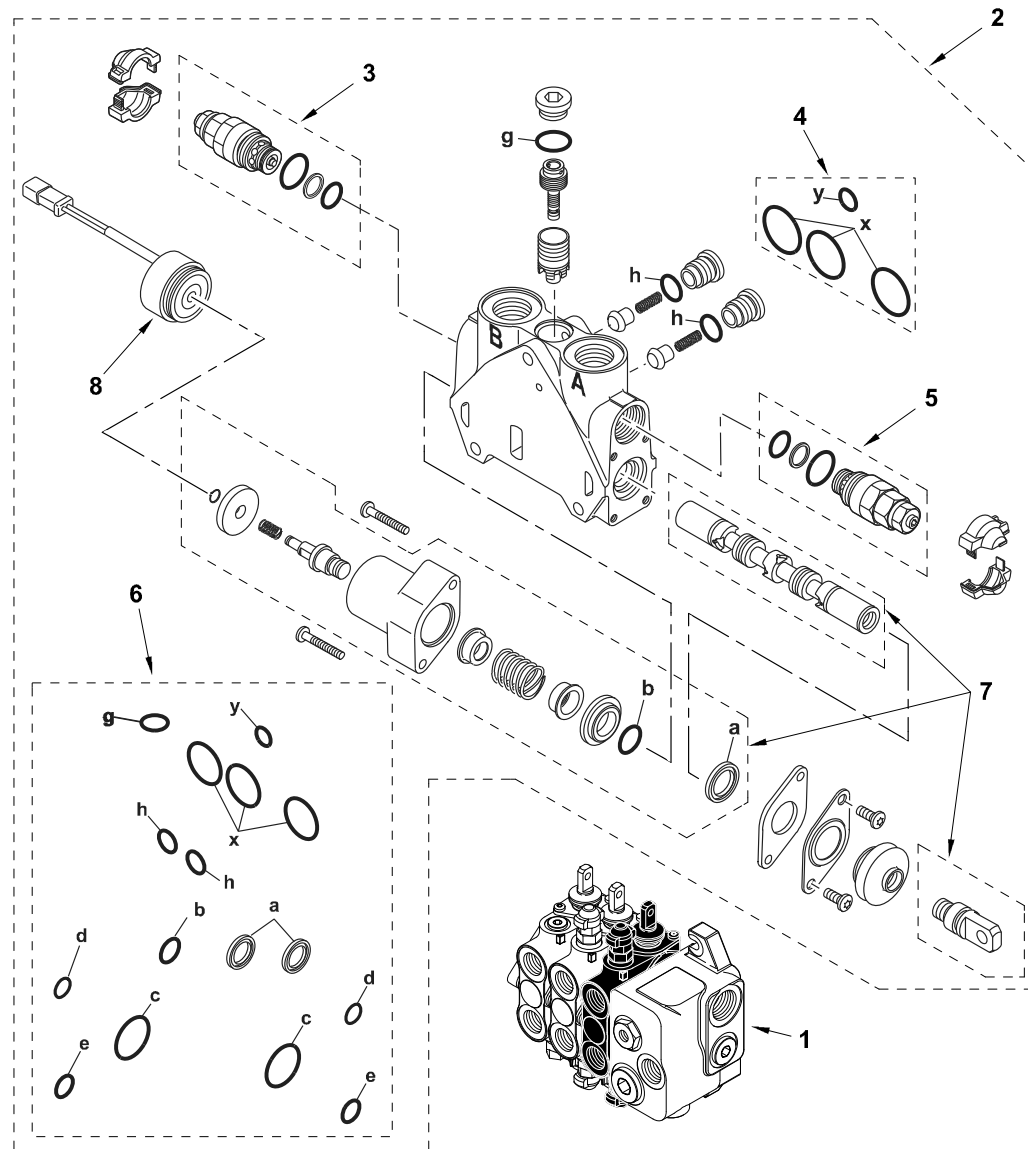
C-68004-04.1-A



Item	Part No.	Qty.	English	French	German	Spanish	Remarks
1	6109210M91	1	Valve - Loader 3 Spool Mechanical	Ensemble Distributio	Steverventilblock Kp	Distribuidor, Conj.	
2	6194535M91	1	Element - Inlet	Element - Soupape	Element - Ventil	Elemento - Válvula	Inlet
3	6193771M91	1	Seal Interface Kit	Pochette De Joints	Dichsatz	Juego De Juntas	

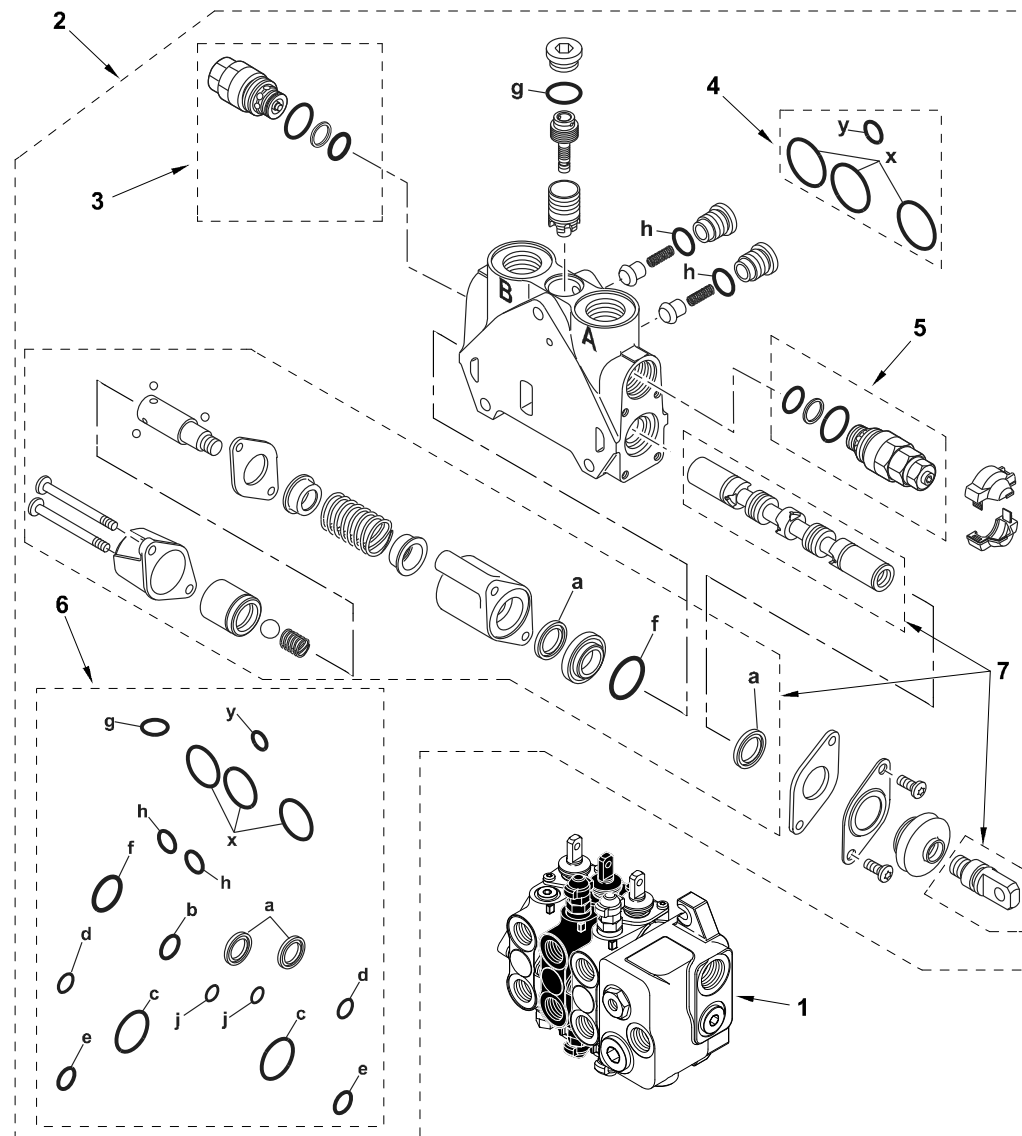


C-68004-05.1-C



Item	Part No.	Qty.	English	French	German	Spanish	Remarks
1	6109210M91	1	Valve - Loader 3 Spool Mechanical	Ensemble Distributio	Steverventilblock Kp	Distribuidor, Conj.	
2	6194531M91	1	Element - Bucket	Element - Soupape	Element - Ventil	Elemento - Válvula	
3	6193804M91	1	Pressure Relief Valve H (310 Bar)	Valve Decharge	Druckbegrventil	Válvula De Seguridad	
4	6193771M91	1	Seal Interface Kit	Pochette De Joints	Dichsatz	Juego De Juntas	
5	6193801M91	1	Pressure Relief Valve H (345 Bar)	Valve Decharge	Druckbegrventil	Válvula De Seguridad	
6	6193781M91	1	Seal Kit Complete	Jeu Etancheite	Dichtringsatz	Juege De Juntas	
7	6194835M91	1	Spool Kit (Slice - Loader Bucket)	Jeu Tiroir	Schieber Satz	Juego Carrete	
8	6195101M91	1	Solenoid Kit	Solenoide	Magnetspule	Solenoide, Conj.	

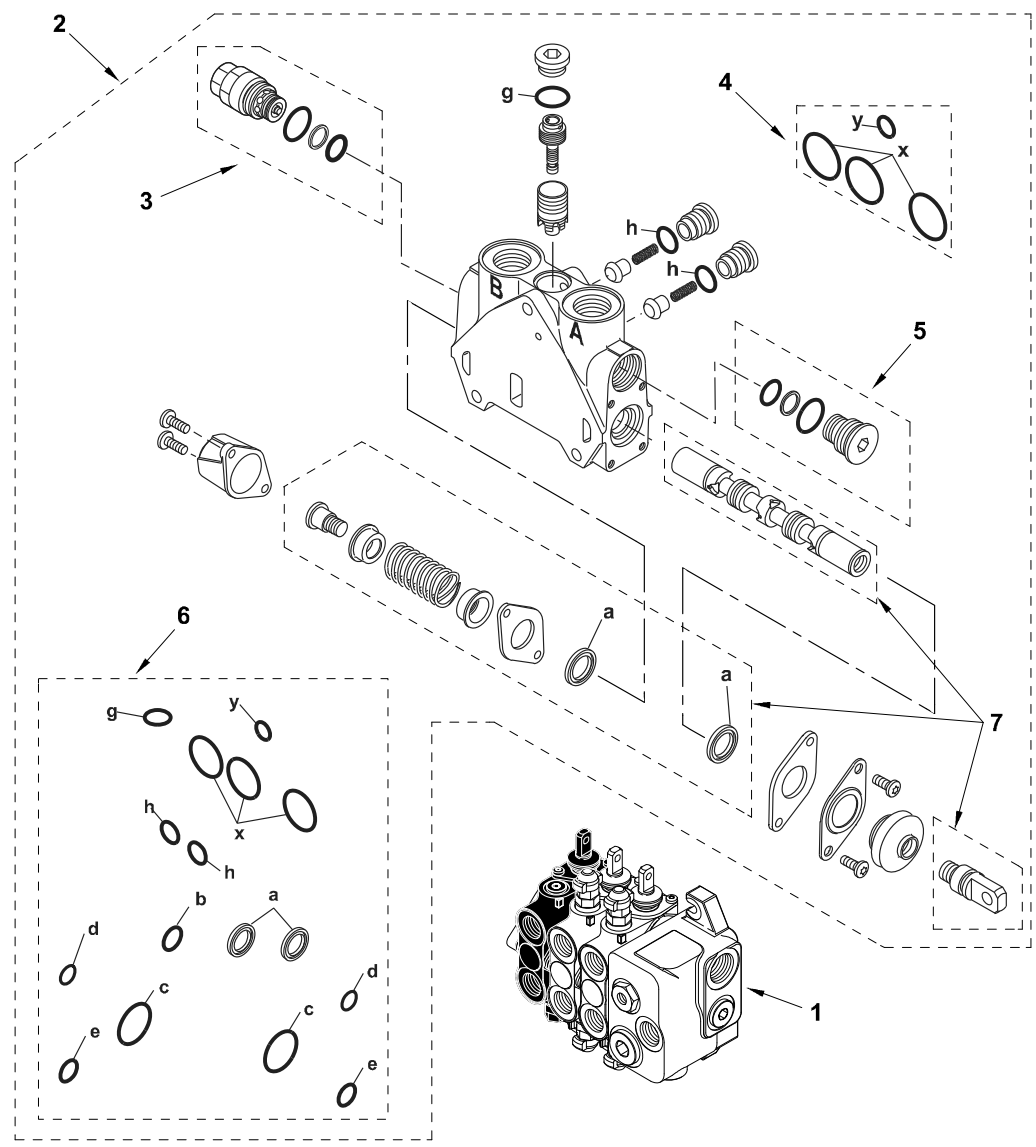
C-68004-06.1-B



Item	Part No.	Qty.	English	French	German	Spanish	Remarks
1	6109210M91	1	Valve - Loader 3 Spool Mechanical	Ensemble Distributio	Steverventilblock Kp	Distribuidor, Conj.	Continued
2	6194532M91	1	Element - Dipper	Element - Soupape	Element - Ventil	Elemento - Válvula	
3	6193782M91	1	Anti-Cavitation Valve E Port B	Ensemble De Soupape	Ventil Kpl.	Válvula, Conj.	
4	6193771M91	1	Seal Interface Kit	Pochette De Joints	Dichsatz	Juego De Juntas	
5	6193800M91	1	Pressure Relief Valve H 240 Bar	Valve Decharge	Druckbegrventil	Válvula De Seguridad	
6	6194518M91	1	Seal Kit	Jeu Etancheite	Dichtringsatz	Juego De Juntas	
7	6194836M91	1	Spool Kit (Slice - Loader Arm)	Jeu Tiroir	Schieber Satz	Juego Carrete	



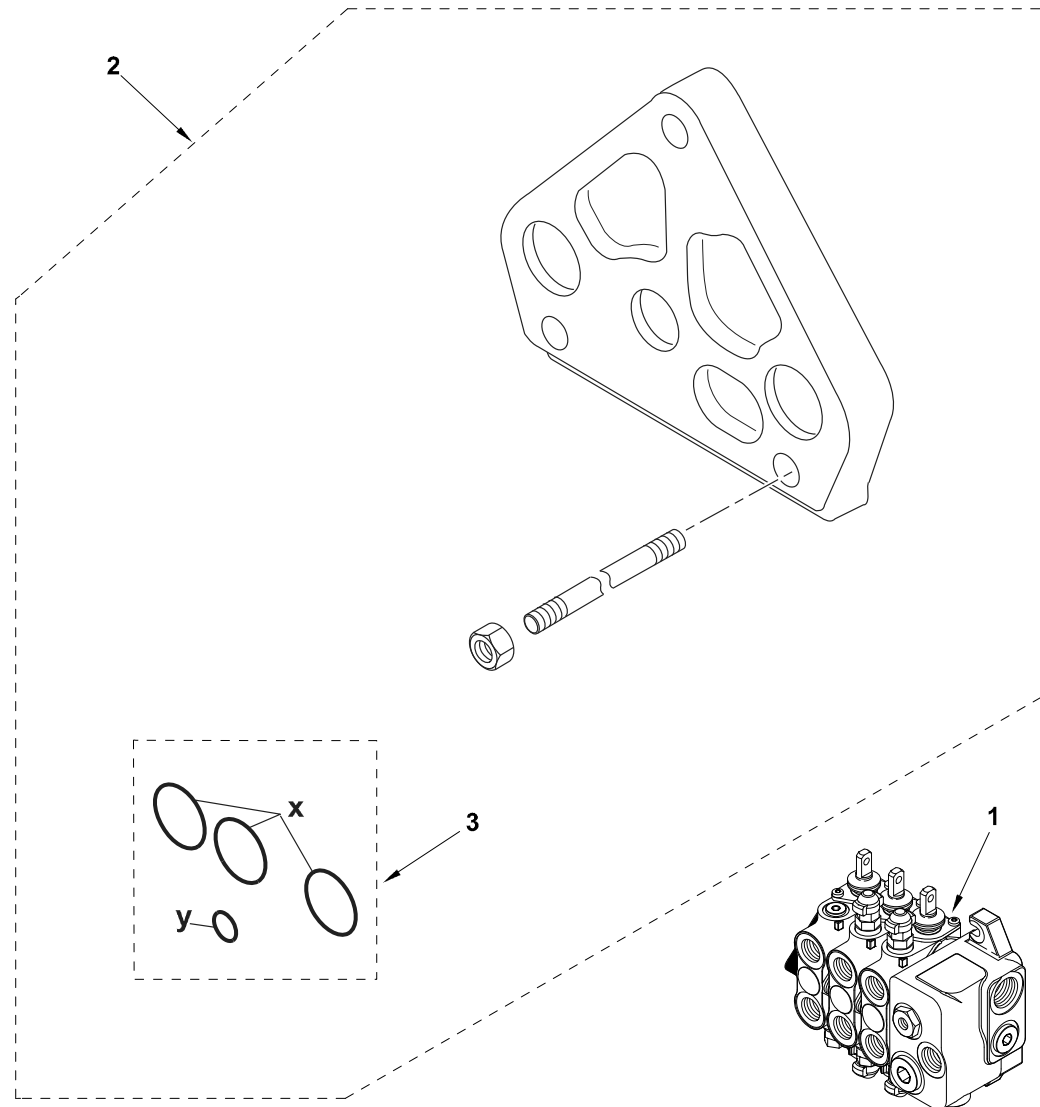
C-68004-07.1-B



Item	Part No.	Qty.	English	French	German	Spanish	Remarks
1	6109210M91	1	Valve - Loader 3 Spool Mechanical	Ensemble Distributio	Steverventilblock Kp	Distribuidor, Conj.	
2	6194533M91	1	Element - 4 X 1	Element - Soupape	Element - Ventil	Elemento - Válvula	
3	6193782M91	1	Anti-Cavitation Valve E Port B	Ensemble De Soupape	Ventil Kpl.	Válvula, Conj.	
4	6193771M91	1	Seal Interface Kit	Pochette De Joints	Dichsatz	Juego De Juntas	
5	6193785M91	1	Plug Q - Port B	Bouchon	Stopfen	Tapón, Conj.	
6	6193791M91	1	Seal Kit - L/S Valve	Jeu Étanchéité	Dichtringsatz	Juego De Juntas	
7	6194828M91	1	Spool Kit (Slice - Bucket 4 In 1 Loader)	Jeu Tiroir	Schieber Satz	Juego Carrete	



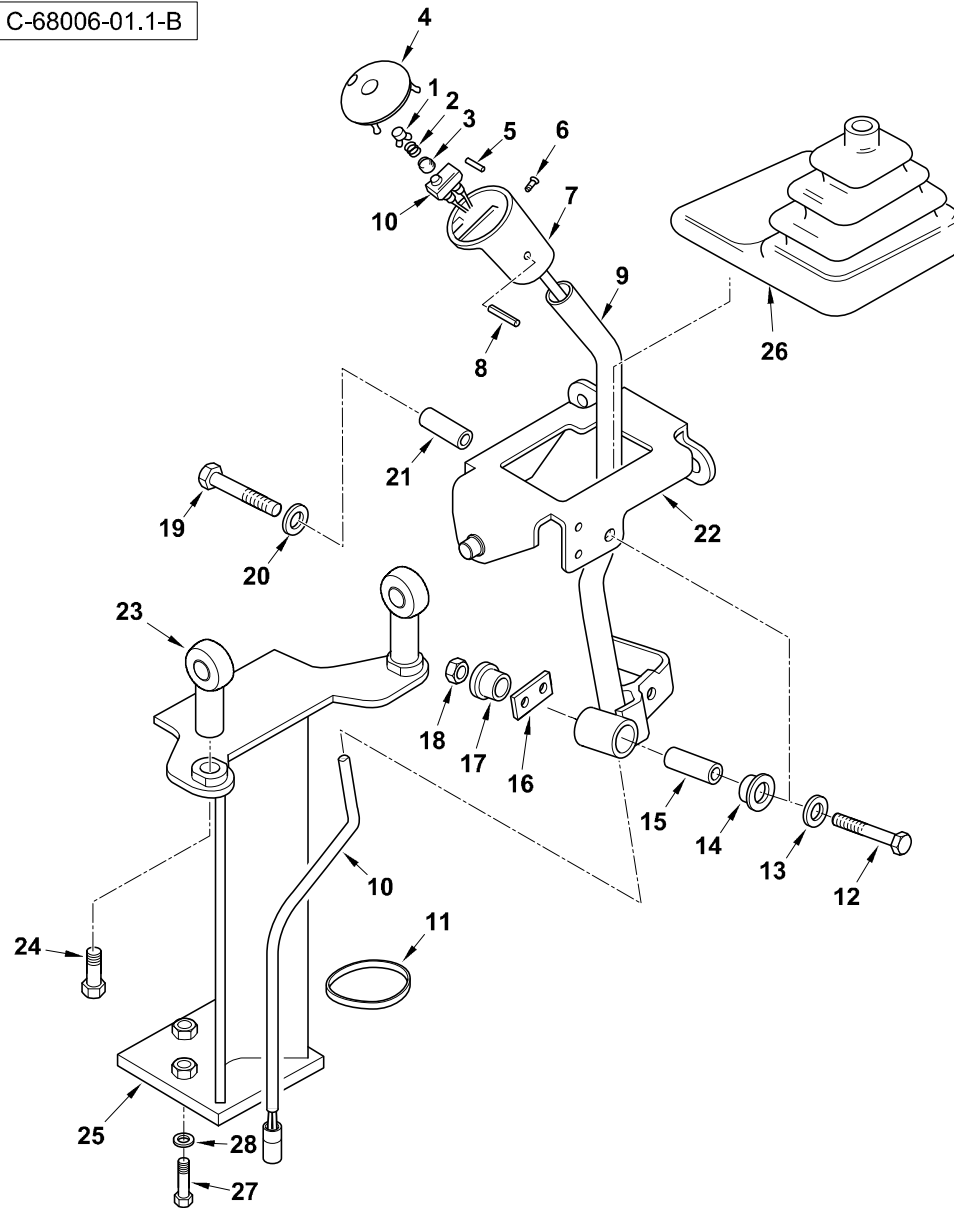
C-68004-08.1-A



Item	Part No.	Qty.	English	French	German	Spanish	Remarks
1	6109210M91	1	Valve - Loader 3 Spool Mechanical	Ensemble Distributio	Steverventilblock Kp	Distribuidor, Conj.	
2	6194517M91	1	Element - Outlet	Element - Soupape	Element - Ventil	Elemento - Válvula	
3	6193771M91	1	Seal Interface Kit	Pochette De Joints	Dichsatz	Juego De Juntas	

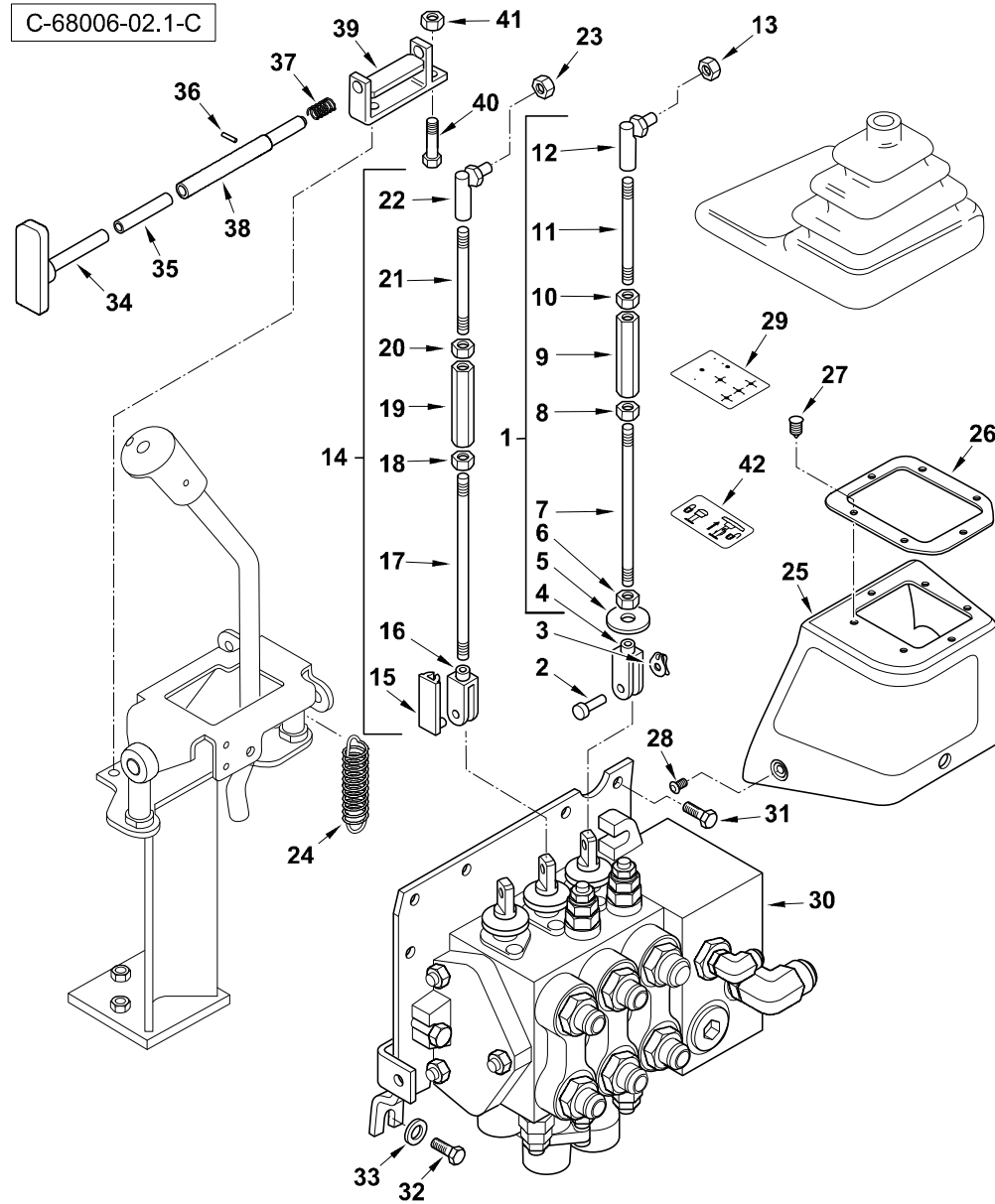


C-68006-01.1-B



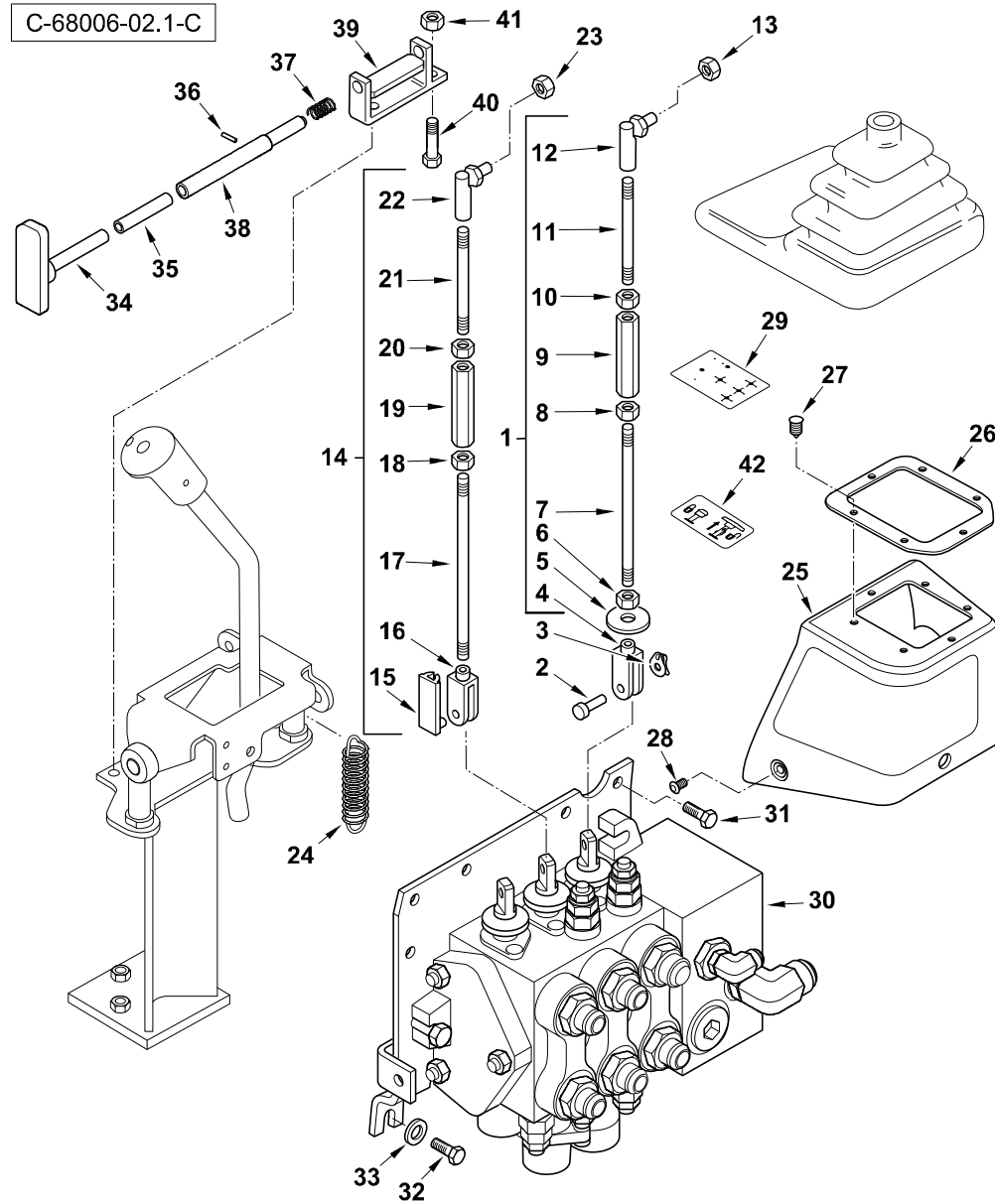
Item	Part No.	Qty.	English	French	German	Spanish	Remarks
1	3521894M4	2	Button Ldr Cntls	Bouton	Knopf	Botón	
2	3520328M3	2	Spring	Siege De Ressort	Feder	Muelle	
3	3522894M1	2	Boot Control Knob	Coffre	Schutzkappe	Fuelle	
4	3522285M5	1	Knob Top Ldr Cntl	Boule	Knauf	Bola	
5	3522507M3	4	Pin Parallel	Goupille D´Arrêt	Sicherungsstift	Pasador	
6	3516886M1	2	Screw C/Sk 1/4 Lng	Vis	Schraube	Tornillo	
7	3522621M5	1	Base Control Knob	Poignée De Levier	Griff	Empuñ. Palanca	
8	3019531X1	1	Pin - Roll	Goupille Elastique	Spannhulse	Pasador Elástico	
9	6109383M91	1	Lever - Loader Control W/Assy	Levier	Hebel	Palanca, Conj.	
10	3516043M94	1	Switch And Harness - Ldr. Cont. Lever	Interrupteur	Beschirring	Haz	
11	1664405M1	1	Tie Mm T50s	Attache Cable	Kabelbinder	Enlace De Cable	
12	339159X1	1	Bolt M8-65	Boulon	Bolzen	Tornillo	
13	6108769M1	1	Washer-M8 Nord-Lock	Rondelle De Blocage	Federring M8	Arandela De Freno	
14	6106560M1	1	Bush	Douille	Buechse	Anillo	
15	6106561M3	1	Spacer-Loader Controls	Entretoise	Abstandstueck	Traviesa	
16	6106562M1	1	Plate-L/Cont. Tie Bar	Barre	Stab	Placa	
17	6106560M1	1	Bush	Douille	Buechse	Anillo	
18	394367X1	1	Nut, Hex. - Nyloc, M8	Ecrou Blocage M8	Flachmutter - M8	Tuerca De Retención	
19	339291X1	1	Bolt M8-55 Z5s	Goupille	Bolzen M8 X 55	Tornillo	
20	6108769M1	1	Washer-M8 Nord-Lock	Rondelle De Blocage	Federring M8	Arandela De Freno	
21	6106561M3	1	Spacer-Loader Controls	Entretoise	Abstandstueck	Traviesa	
22	6109381M91	1	Cradle - Rexroth Valve W/Assy	Berceau	Fahrschemel	Soporte	
23	6102844M1	2	Rodend-M12 Spherical	Support De Fixation	Kugelkopf, Plastik	Soporte De Fijación	
24	3009505X1	2	Hex. Bolt, M12 X 25 - Coarse	Boulon	Bolzen M12 X 25	Perno	
25	6109802M91	1	Loader Control Column Assy	Ensemble De Support	Haltevorrichtung	Apoyadero, Conj.	
26	6109927M1	1	Gaiter (Black) - Loader Lever	Souf•et	Manschette	Fuelle	
27	339009X1	3	Bolt - M8 X 35	Boulon M8 X 35	Maschschraube M8	Tornillo	
28	339374X1	3	Washer M8 -21-2 Z	Rondelle Frein - M8	Federring - M8	Arandela De Freno	





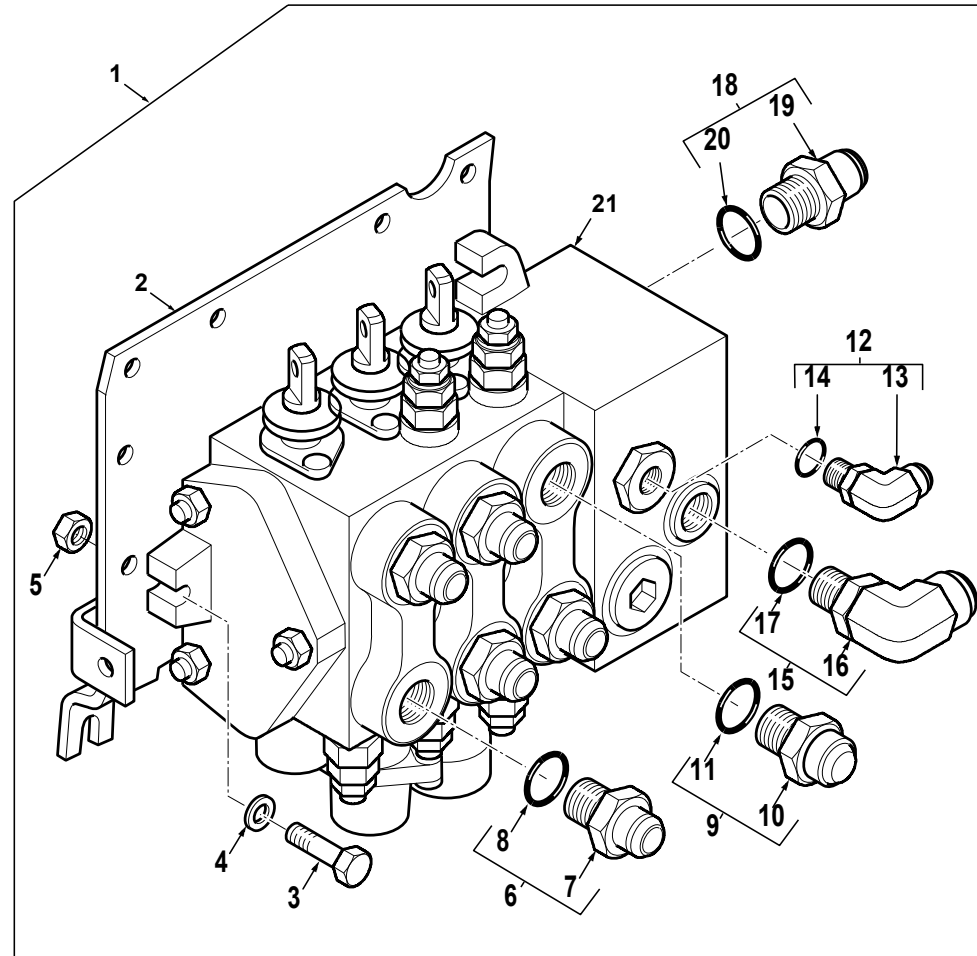
Item	Part No.	Qty.	English	French	German	Spanish	Remarks
1	6102738M93	1	Rod Assy. - Loader Control	Ensemble Tringlerie	Gestänge	Tirantes, Conj.	
2	6102816M1	1	Pin-Clevis	Axe De Chape	Gabelstift	Eje De Brida	
3	3516322M1	1	Clip, Spring - No.8	Clip	Klips	Clip	
4	3519590M1	1	Clevis LH Thread	Chape	Gabelverbindung	Brida	
5	3518878M3	1	Washer	Rondelle	Scheibe	Arandela	
6	3519650M1	1	Nut, Hex - M8, L/H Thread	Ecrou	Mutter	Tuerca	
7	#ROD	1	Rod	Rod	Rod	Rod	Ref. 1
8	339169X1	1	Nut, Hex. - M8, Coarse	Ecrou Métrique	Mutter Metrisch	Tuerca	
9	6102733M1	1	Turnbuckle M8	Tendeur De Tringle	Spannschloss	Torniquete	
10	3519650M1	1	Nut, Hex - M8, L/H Thread	Ecrou	Mutter	Tuerca	
11	#ROD	1	Rod	Rod	Rod	Rod	Ref. 1
12	3519589M1	1	Ball-Joint	Rotule	Kugelgelenk	Rotula	
13	394367X1	1	Nut, Hex. - Nyloc, M8	Ecrou Blocage M8	Flachmutter - M8	Tuerca De Retención	
14	6102737M92	1	Rod Assy. - Loader Control	Tringle	Stange	Tirantes, Conj.	
15	3520666M1	1	Pin W/ Spring Clip	Axe De Chape	Gabelstift	Eje De Brida	
16	3519590M1	1	Clevis LH Thread	Chape	Gabelverbindung	Brida	
17	#ROD	1	Rod	Rod	Rod	Rod	Ref. 14
18	339169X1	1	Nut, Hex. - M8, Coarse	Ecrou Métrique	Mutter Metrisch	Tuerca	
19	6102733M1	1	Turnbuckle M8	Tendeur De Tringle	Spannschloss	Torniquete	
20	3519650M1	1	Nut, Hex - M8, L/H Thread	Ecrou	Mutter	Tuerca	
21	#ROD	1	Rod	Rod	Rod	Rod	Ref. 14
22	3519589M1	1	Ball-Joint	Rotule	Kugelgelenk	Rotula	
23	394367X1	1	Nut, Hex. - Nyloc, M8	Ecrou Blocage M8	Flachmutter - M8	Tuerca De Retención	
24	6109761M1	1	Spring-Ldr Control	Siège De Ressort	Federsitz	Muelle	
25	6099536M1	1	Loader Tower - W/Lock (Grey)	Boite	Schachtel	Consola	
26	3516856M3	1	Plate, Gaiter - Loader Controls	Plaque	Platte	Placa	
27	3521303M3	6	Fastener, Plastic - Gear Lever Gaiter	Agrafe	Halteklammer	Enganche	
28	3512552M1	3	Screw Pan Hd.M5 X 12	Vis	Schraube	Tornillo	
29	6101873M1	1	Decal-Ldr Controls Std	Adhésif	Aufkleber	Adhesivo	
30	6109325M91	1	Valve Assembly - Loader Rexroth	Ensemble Distributio	Steuerventilblock Kp	Distribuidor, Conj.	68006c03.1 1





Item	Part No.	Qty.	English	French	German	Spanish	Remarks
31	3009492X1	2	Bolt - Hex. M10 X 25	Boulon M10 X 25	Schraube M10 X 25	Tornillo	
32	3009492X1	1	Bolt - Hex. M10 X 25	Boulon M10 X 25	Schraube M10 X 25	Tornillo	
33	385362X1	1	Washer, Hardened - M10	Rondelle - M10	Unterlegscheibe M10	Arandela	
34	6101939M91	1	Handle-T Assy	Poignée	Handgriff	Asa	
35	6101938M1	1	Spacer-Tube	Entretoise	Distanzstück	Traviesa	
36	1441736X1	1	Pin Spirol 5-26	Goupille D´Arrêt	Klappstecker	Pasador Elástico	
37	3516136M2	1	Spring	Siège De Ressort	Federsitz	Muelle	
38	3519365M1	1	Rod Locking	Tringle	Stange	Vástago	
39	6108293M92	1	Bracket Assy Loader Control	Patte Fixation	Halter	Cuchara, Conj.	
40	339666X1	2	Bolt M6-20 Z5f	Boulon M6 X 20	Maschschraube Metr M	Tornillo	
41	1441500X1	2	Nut M6 Z5 Nyloc	Ecrou	Flachmutter M6	Tuerca De Retención	
42	6101872M1	1	Decal - Loader Lever Lock	Adhésif	Aufkleber	Adhesivo	

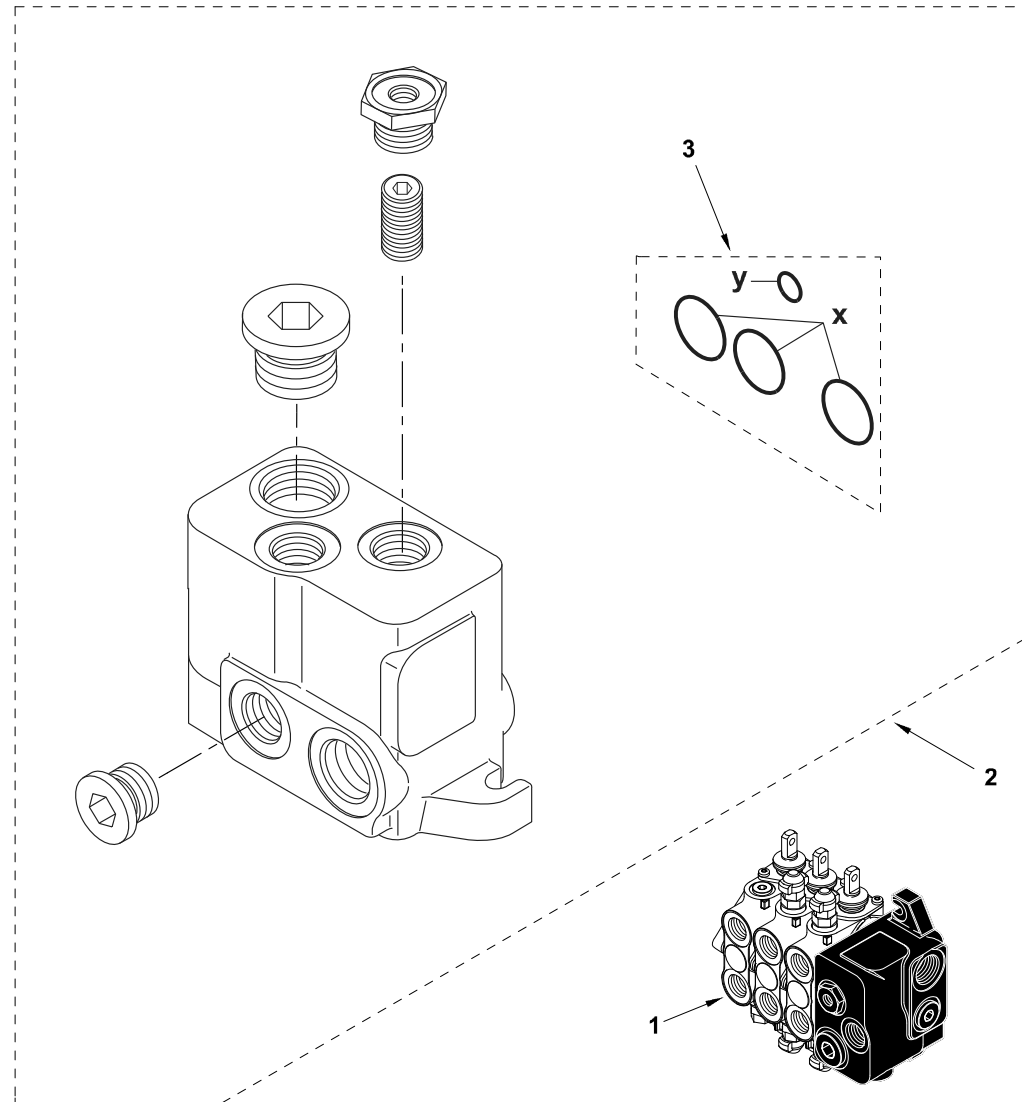
C-68006-03.1-A



Item	Part No.	Qty.	English	French	German	Spanish	Remarks
1	6109325M91	1	Valve Assembly - Loader Rexroth	Ensemble Distributio	Steuerventilblock Kp	Distribuidor, Conj.	
2	6109370M91	1	Plate - Rexroth Loader Valve W/Assy	Plaque	Platte	Placa, Conj.	
3	3009496X1	3	Bolt Hex - M10 X 45 (Coarse)	Boulon M10 X 45	Maschschraube - M10	Tornillo	
4	385362X1	3	Washer, Hardened - M10	Rondelle - M10	Unterlegscheibe M10	Arandela	
5	1440329X1	3	Nut, Hex. - Nyloc, M10	Ecrou Blocage	Flachmutter M10	Tuerca De Retención	
6	365715X91	5	Connector, Hydr.-Straight, 1 1/16 X 7/8	Borne	Doppelnippel	Conexión, Conj.	
7	#CONNECTOR	1	Connector	Connector	Connector	Connector	Ref. 6
8	835025M1	1	Ring O	Joint Torique	O Ring	Junta De Tipo O	
9	835057M91	1	Connector B1510m-12-12	Raccord	Schraubanschluss	Conexión, Conj.	
10	#CONNECTOR	1	Connector	Connector	Connector	Connector	Ref. 9
11	835025M1	1	Ring O	Joint Torique	O Ring	Junta De Tipo O	
12	357197X91	1	Elbow & O Ring	Coude	Kniestück, 90°	Codo, 90°	
13	#ELBOW	1	Elbow	Elbow	Elbow	Elbow	Ref. 12
14	831452M1	1	O Ring (Pack Of 10)	Joint Torique	O Ring	Junta De Tipo O	
15	358764X91	1	Elbow 90 Deg	Coude 90°	Kniestück, 90°	Codo, 90°	
16	#ELBOW	1	Elbow	Elbow	Elbow	Elbow	Ref. 15
17	835025M1	1	Ring O	Joint Torique	O Ring	Junta De Tipo O	
18	835014M91	1	Connector - 1 5/16" To 1 5/16"	Borne	Doppelnippel	Unión	
19	#CONNECTOR	1	Connector	Connector	Connector	Connector	Ref. 18
20	835026M1	1	O-Ring	Joint Torique	O-Ring	Junta De Tipo O	
21	6109210M91	1	Valve - Loader 3 Spool Mechanical	Ensemble Distributio	Steuerventilblock Kp	Distribuidor, Conj.	68006c04.1 1



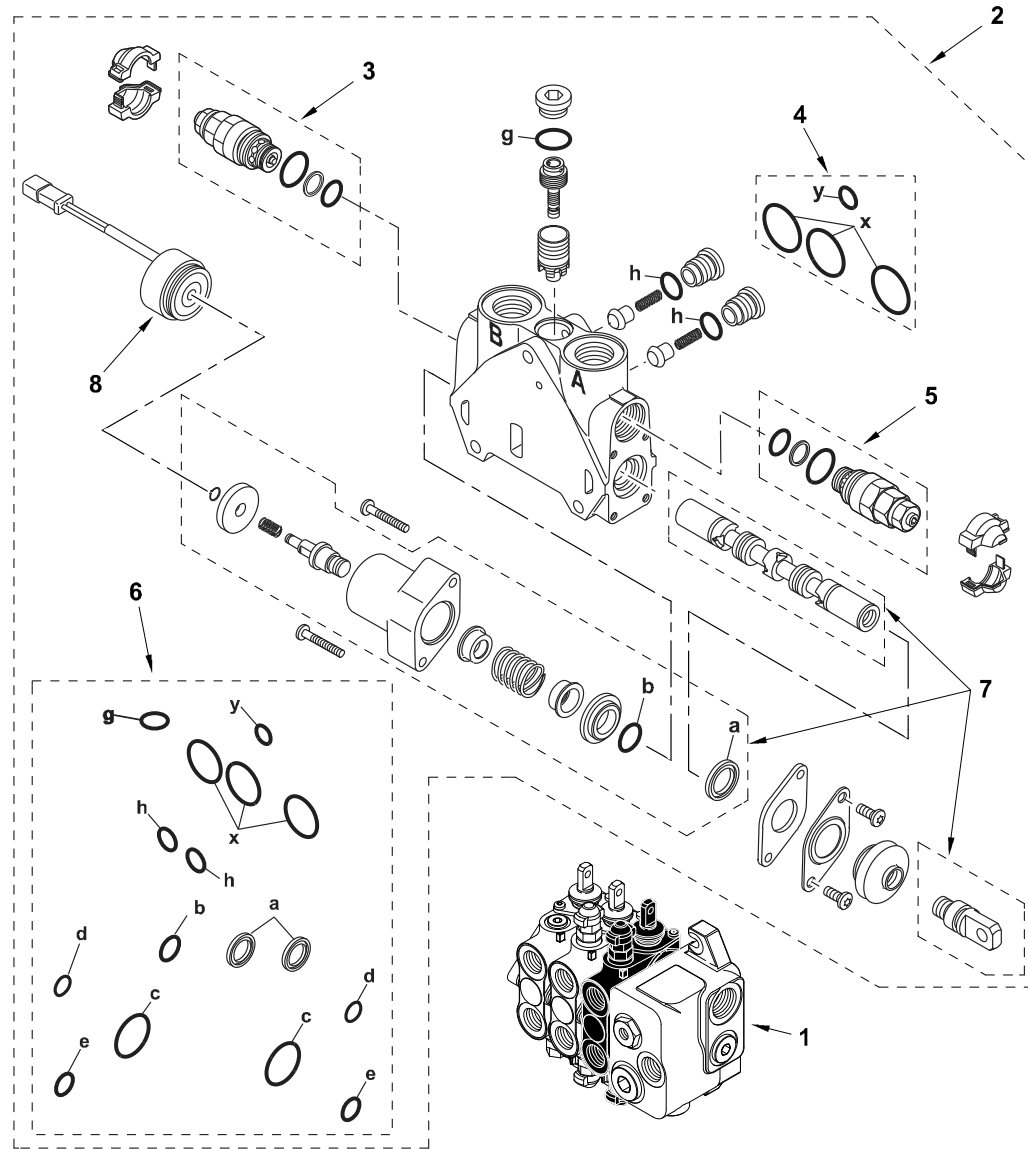
C-68006-04.1-A



Item	Part No.	Qty.	English	French	German	Spanish	Remarks
1	6109210M91	1	Valve - Loader 3 Spool Mechanical	Ensemble Distributio	Steverventilblock Kp	Distribuidor, Conj.	
2	6194535M91	1	Element - Inlet	Element - Soupape	Element - Ventil	Elemento - Válvula	Inlet
3	6193771M91	1	Seal Interface Kit	Pochette De Joints	Dichsatz	Juego De Juntas	



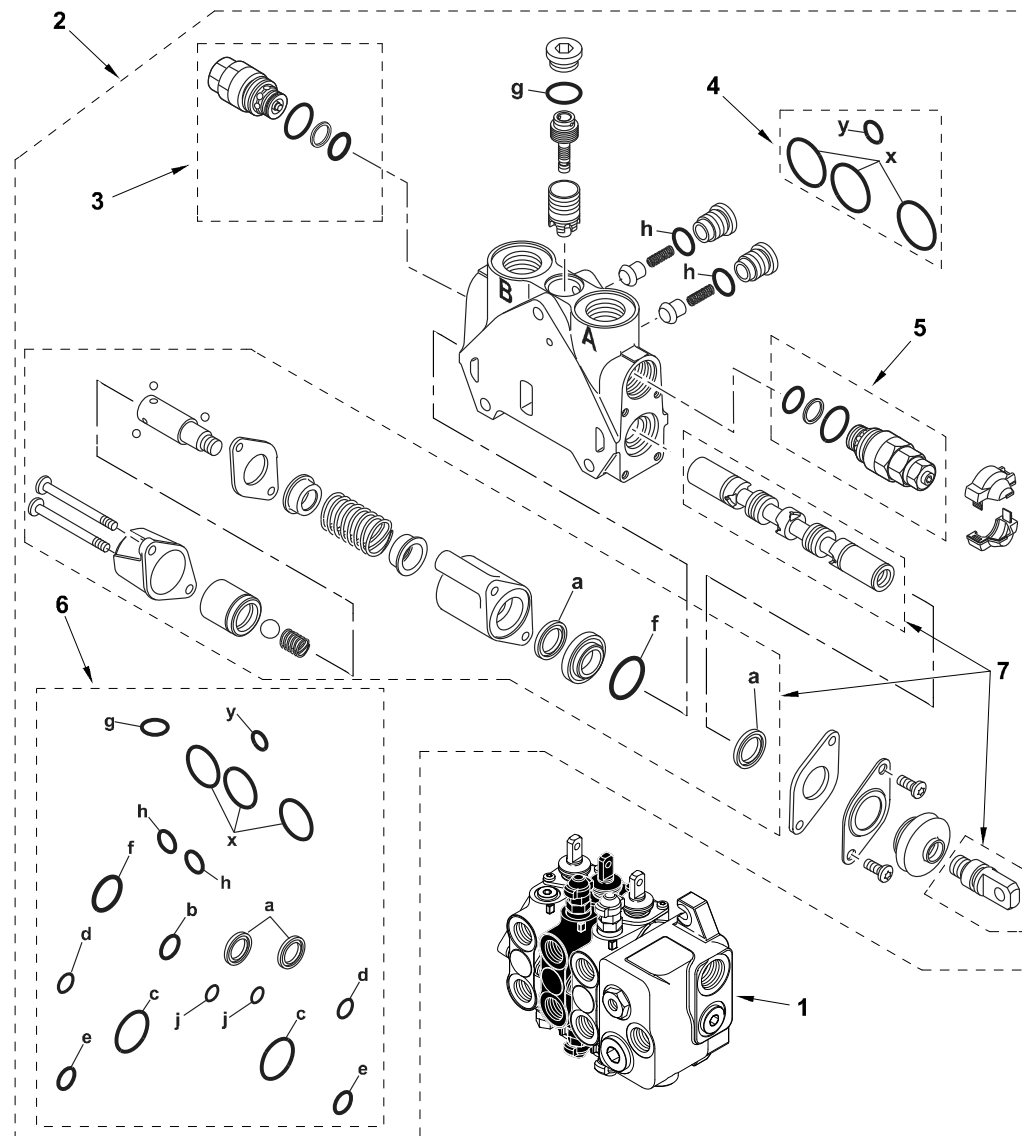
C-68006-05.1-C



Item	Part No.	Qty.	English	French	German	Spanish	Remarks
1	6109210M91	1	Valve - Loader 3 Spool Mechanical	Ensemble Distributio	Steverventilblock Kp	Distribuidor, Conj.	
2	6194531M91	1	Element - Bucket	Element - Soupape	Element - Ventil	Elemento - Válvula	
3	6193804M91	1	Pressure Relief Valve H (310 Bar)	Valve Decharge	Druckbegrventil	Válvula De Seguridad	
4	6193771M91	1	Seal Interface Kit	Pochette De Joints	Dichsatz	Juego De Juntas	
5	6193801M91	1	Pressure Relief Valve H (345 Bar)	Valve Decharge	Druckbegrventil	Válvula De Seguridad	
6	6193781M91	1	Seal Kit Complete	Jeu Etancheite	Dichtringsatz	Juege De Juntas	
7	6194835M91	1	Spool Kit (Slice - Loader Bucket)	Jeu Tiroir	Schieber Satz	Juego Carrete	
8	6195101M91	1	Solenoid Kit	Solenoid	Magnetspule	Solenoid, Conj.	



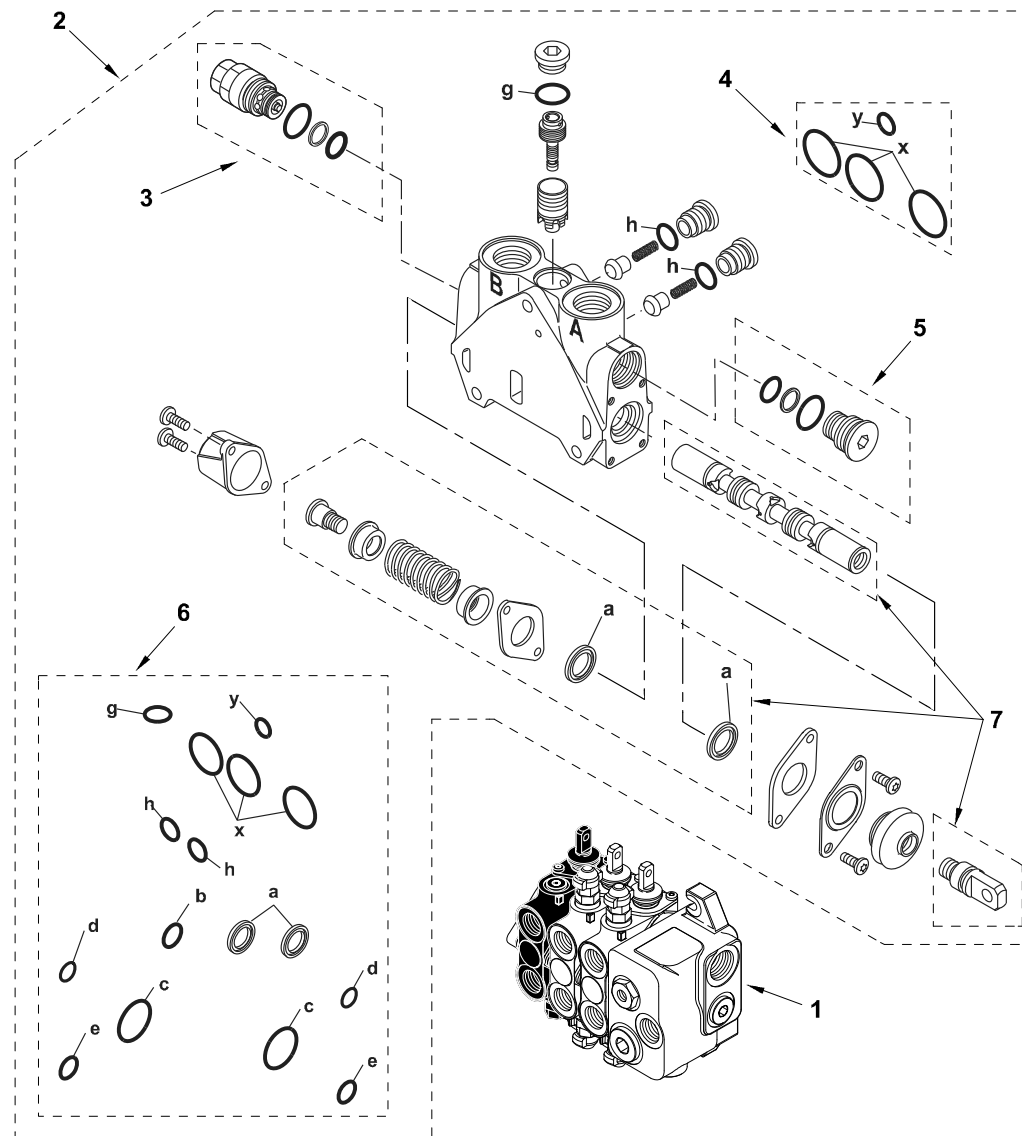
C-68006-06.1-B



Item	Part No.	Qty.	English	French	German	Spanish	Remarks
1	6109210M91	1	Valve - Loader 3 Spool Mechanical	Ensemble Distributio	Steverventilblock Kp	Distribuidor, Conj.	Continued
2	6194532M91	1	Element - Dipper	Element - Soupape	Element - Ventil	Elemento - Válvula	
3	6193782M91	1	Anti-Cavitation Valve E Port B	Ensemble De Soupape	Ventil Kpl.	Válvula, Conj.	
4	6193771M91	1	Seal Interface Kit	Pochette De Joints	Dichsatz	Juego De Juntas	
5	6193800M91	1	Pressure Relief Valve H 240 Bar	Valve Decharge	Druckbegrventil	Válvula De Seguridad	
6	6194518M91	1	Seal Kit	Jeu Etancheite	Dichtringsatz	Juego De Juntas	
7	6194836M91	1	Spool Kit (Slice - Loader Arm)	Jeu Tiroir	Schieber Satz	Juego Carrete	



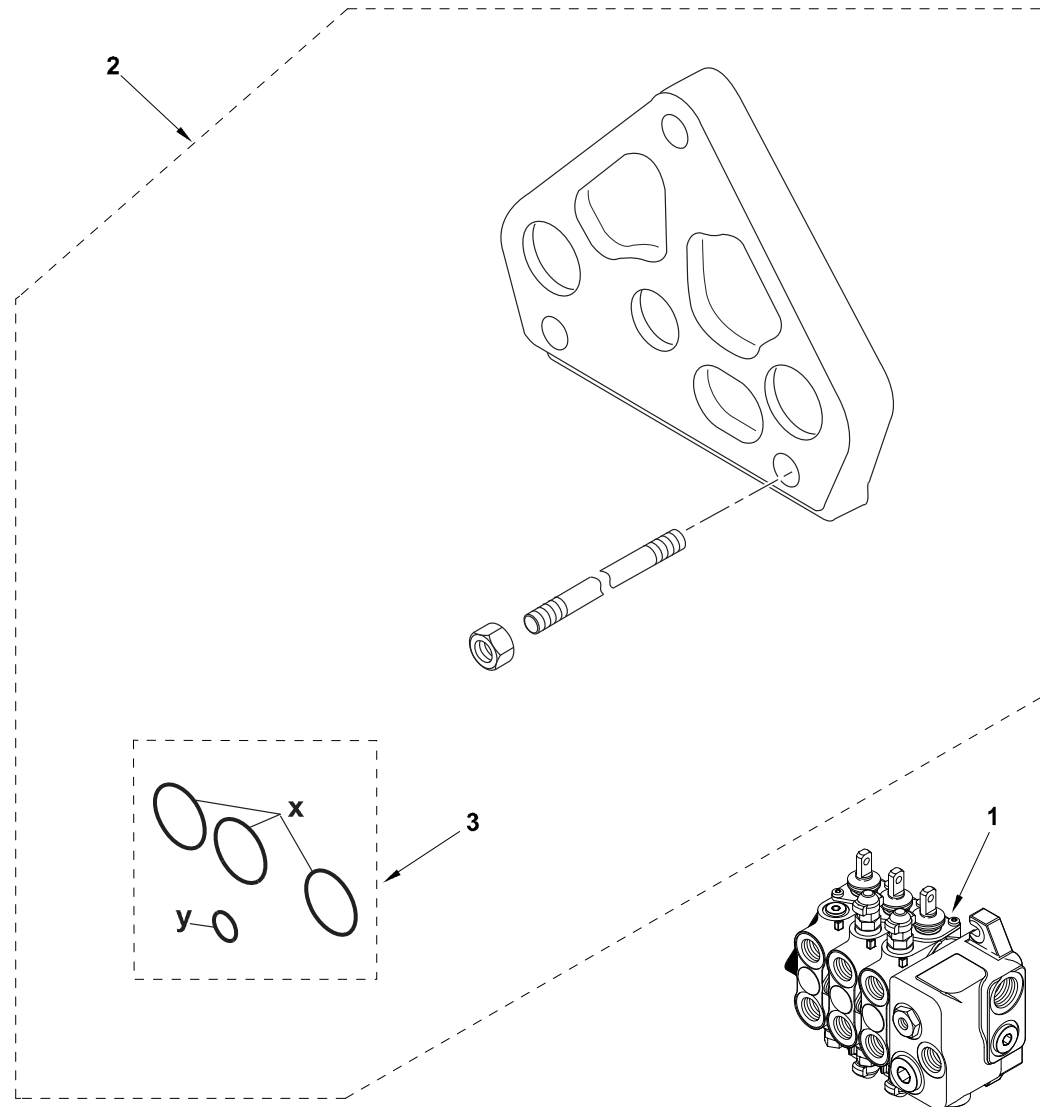
C-68006-07.1-B



Item	Part No.	Qty.	English	French	German	Spanish	Remarks
1	6109210M91	1	Valve - Loader 3 Spool Mechanical	Ensemble Distributio	Steverventilblock Kp	Distribuidor, Conj.	
2	6194533M91	1	Element - 4 X 1	Element - Soupape	Element - Ventil	Elemento - Válvula	
3	6193782M91	1	Anti-Cavitation Valve E Port B	Ensemble De Soupape	Ventil Kpl.	Válvula, Conj.	
4	6193771M91	1	Seal Interface Kit	Pochette De Joints	Dichsatz	Juego De Juntas	
5	6193785M91	1	Plug Q - Port B	Bouchon	Stopfen	Tapón, Conj.	
6	6193791M91	1	Seal Kit - L/S Valve	Jeu Étanchéité	Dichtringsatz	Juego De Juntas	
7	6194828M91	1	Spool Kit (Slice - Bucket 4 In 1 Loader)	Jeu Tiroir	Schieber Satz	Juego Carrete	



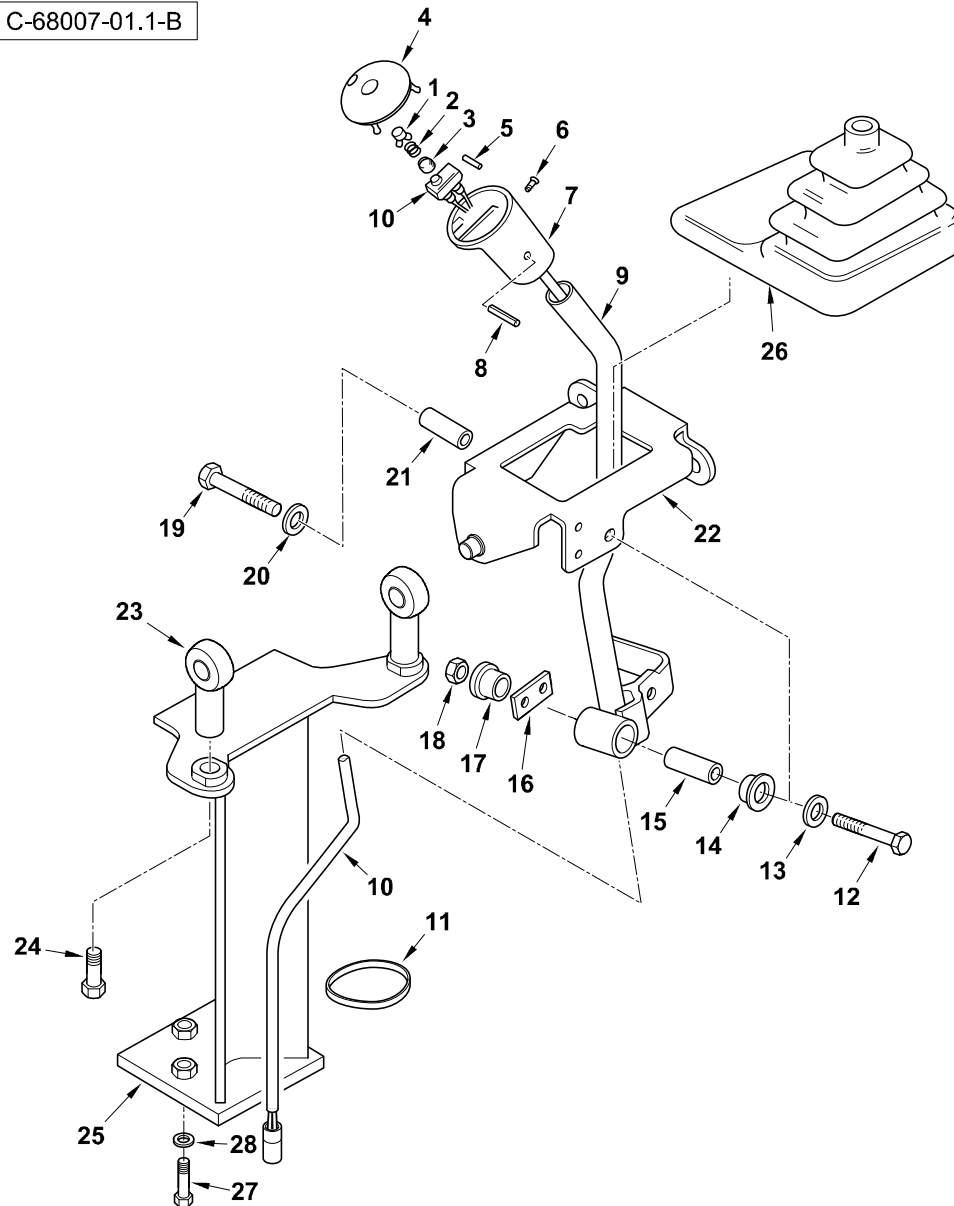
C-68006-08.1-A



Item	Part No.	Qty.	English	French	German	Spanish	Remarks
1	6109210M91	1	Valve - Loader 3 Spool Mechanical	Ensemble Distributio	Steverventilblock Kp	Distribuidor, Conj.	
2	6194517M91	1	Element - Outlet	Element - Soupape	Element - Ventil	Elemento - Válvula	
3	6193771M91	1	Seal Interface Kit	Pochette De Joints	Dichsatz	Juego De Juntas	



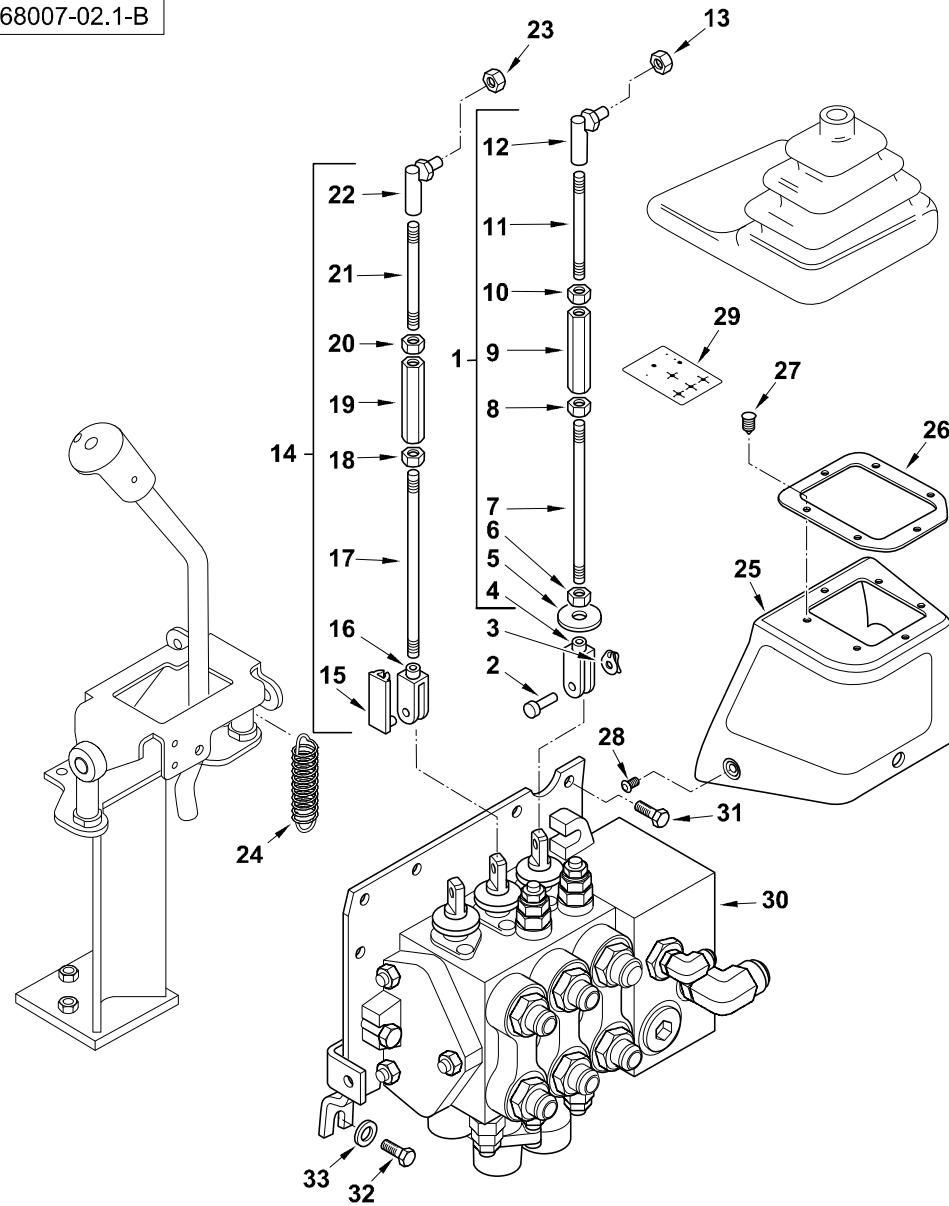
C-68007-01.1-B



Item	Part No.	Qty.	English	French	German	Spanish	Remarks
1	3521894M4	2	Button Ldr Cntls	Bouton	Knopf	Botón	
2	3520328M3	2	Spring	Siege De Ressort	Feder	Muelle	
3	3522894M1	2	Boot Control Knob	Coffre	Schutzkappe	Fuelle	
4	3522285M5	1	Knob Top Ldr Cntl	Boule	Knauf	Bola	
5	3522507M3	4	Pin Parallel	Goupille D´Arrêt	Sicherungsstift	Pasador	
6	3516886M1	2	Screw C/Sk 1/4 Lng	Vis	Schraube	Tornillo	
7	3522621M5	1	Base Control Knob	Poignée De Levier	Griff	Empuñ. Palanca	
8	3019531X1	1	Pin - Roll	Goupille Elastique	Spannhulse	Pasador Elástico	
9	6109383M91	1	Lever - Loader Control W/Assy	Levier	Hebel	Palanca, Conj.	
10	3516043M94	1	Switch And Harness - Ldr. Cont. Lever	Interrupteur	Beschirring	Haz	
11	1664405M1	1	Tie Mm T50s	Attache Cable	Kabelbinder	Enlace De Cable	
12	339159X1	1	Bolt M8-65	Boulon	Bolzen	Tornillo	
13	6108769M1	1	Washer-M8 Nord-Lock	Rondelle De Blocage	Federring M8	Arandela De Freno	
14	6106560M1	1	Bush	Douille	Buechse	Anillo	
15	6106561M3	1	Spacer-Loader Controls	Entretoise	Abstandstueck	Traviesa	
16	6106562M1	1	Plate-L/Cont. Tie Bar	Barre	Stab	Placa	
17	6106560M1	1	Bush	Douille	Buechse	Anillo	
18	394367X1	1	Nut, Hex. - Nyloc, M8	Ecrou Blocage M8	Flachmutter - M8	Tuerca De Retención	
19	339291X1	1	Bolt M8-55 Z5s	Goupille	Bolzen M8 X 55	Tornillo	
20	6108769M1	1	Washer-M8 Nord-Lock	Rondelle De Blocage	Federring M8	Arandela De Freno	
21	6106561M3	1	Spacer-Loader Controls	Entretoise	Abstandstueck	Traviesa	
22	6109381M91	1	Cradle - Rexroth Valve W/Assy	Berceau	Fahrschemel	Soporte	
23	6102844M1	2	Rodend-M12 Spherical	Support De Fixation	Kugelkopf, Plastik	Soporte De Fijación	
24	3009505X1	2	Hex. Bolt, M12 X 25 - Coarse	Boulon	Bolzen M12 X 25	Perno	
25	6109802M91	1	Loader Control Column Assy	Ensemble De Support	Haltevorrichtung	Apoyadero, Conj.	
26	6109927M1	1	Gaiter (Black) - Loader Lever	Souf•et	Manschette	Fuelle	
27	339009X1	3	Bolt - M8 X 35	Boulon M8 X 35	Maschschraube M8	Tornillo	
28	339374X1	3	Washer M8 -21-2 Z	Rondelle Frein - M8	Federring - M8	Arandela De Freno	



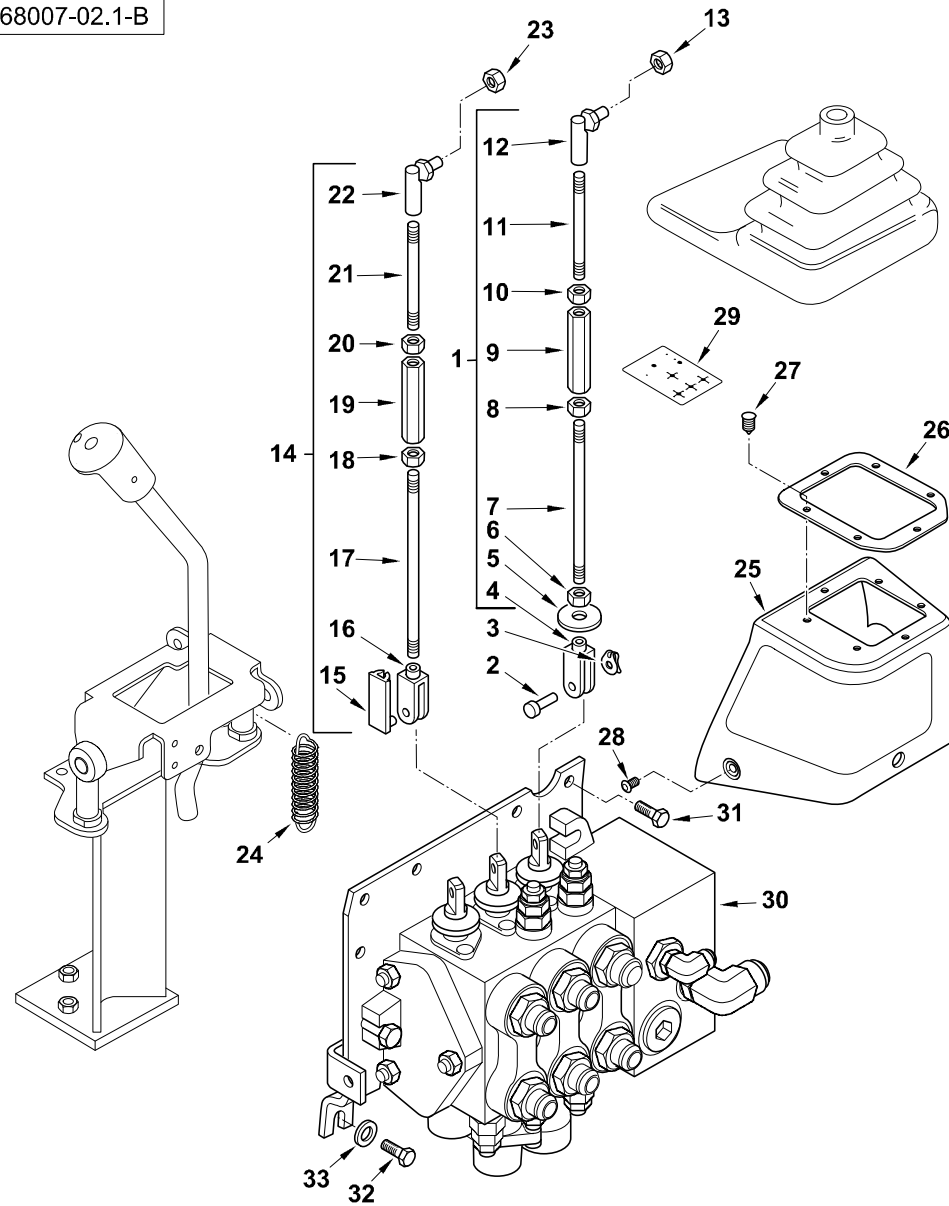
C-68007-02.1-B



Item	Part No.	Qty.	English	French	German	Spanish	Remarks
1	6102738M93	1	Rod Assy. - Loader Control	Ensemble Tringlerie	Gestänge	Tirantes, Conj.	
2	6102816M1	1	Pin-Clevis	Axe De Chape	Gabelstift	Eje De Brida	
3	3516322M1	1	Clip, Spring - No.8	Clip	Klips	Clip	
4	3519590M1	1	Clevis LH Thread	Chape	Gabelverbindung	Brida	
5	3518878M3	1	Washer	Rondelle	Scheibe	Arandela	
6	3519650M1	1	Nut, Hex - M8, L/H Thread	Ecrou	Mutter	Tuerca	
7	#ROD	1	Rod	Rod	Rod	Rod	
8	339169X1	1	Nut, Hex. - M8, Coarse	Ecrou Métrique	Mutter Metrisch	Tuerca	
9	6102733M1	1	Turnbuckle M8	Tendeur De Tringle	Spannschloss	Torniquete	
10	3519650M1	1	Nut, Hex - M8, L/H Thread	Ecrou	Mutter	Tuerca	
11	#ROD	1	Rod	Rod	Rod	Rod	
12	3519589M1	1	Ball-Joint	Rotule	Kugelgelenk	Rotula	
13	394367X1	1	Nut, Hex. - Nyloc, M8	Ecrou Blocage M8	Flachmutter - M8	Tuerca De Retención	
14	6102737M92	1	Rod Assy. - Loader Control	Tringle	Stange	Tirantes, Conj.	
15	3520666M1	1	Pin W/ Spring Clip	Axe De Chape	Gabelstift	Eje De Brida	
16	3519590M1	1	Clevis LH Thread	Chape	Gabelverbindung	Brida	
17	#ROD	1	Rod	Rod	Rod	Rod	Ref. 14
18	339169X1	1	Nut, Hex. - M8, Coarse	Ecrou Métrique	Mutter Metrisch	Tuerca	
19	6102733M1	1	Turnbuckle M8	Tendeur De Tringle	Spannschloss	Torniquete	
20	3519650M1	1	Nut, Hex - M8, L/H Thread	Ecrou	Mutter	Tuerca	
21	#ROD	1	Rod	Rod	Rod	Rod	Ref. 14
22	3519589M1	1	Ball-Joint	Rotule	Kugelgelenk	Rotula	
23	394367X1	1	Nut, Hex. - Nyloc, M8	Ecrou Blocage M8	Flachmutter - M8	Tuerca De Retención	
24	6109761M1	1	Spring-Ldr Control	Siège De Ressort	Federsitz	Muelle	
25	6099522M2	1	Loader Control Tower - W/O Lock (Grey)	Console	Konsole	Consola	
26	3516856M3	1	Plate, Gaiter - Loader Controls	Plaque	Platte	Placa	
27	3521303M3	6	Fastener, Plastic - Gear Lever Gaiter	Agrafe	Halteklammer	Eganche	
28	3512552M1	3	Screw Pan Hd.M5 X 12	Vis	Schraube	Tornillo	
29	6101873M1	1	Decal-Ldr Controls Std	Adhésif	Aufkleber	Adhesivo	
30	6109325M91	1	Valve Assembly - Loader Rexroth	Ensemble Distributio	Steuerventilblock Kp	Distribuidor, Conj.	68004c03.1 1



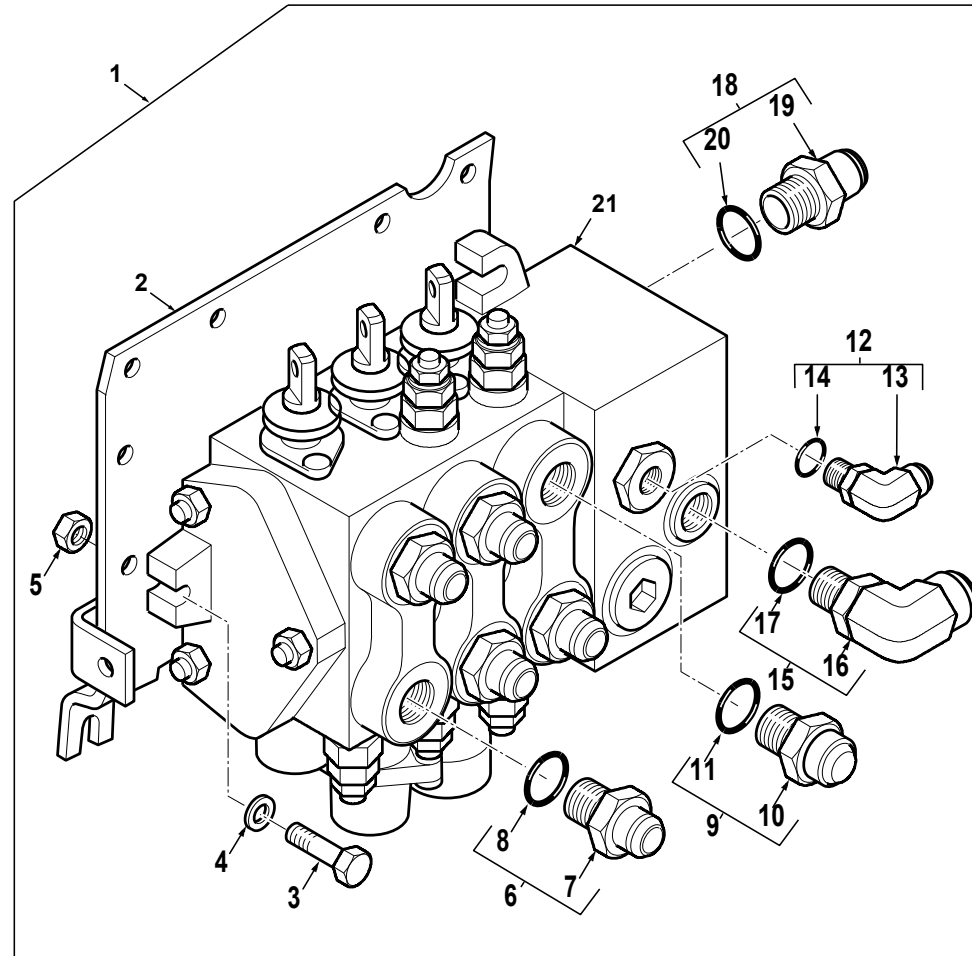
C-68007-02.1-B



Item	Part No.	Qty.	English	French	German	Spanish	Remarks
31	3009492X1	2	Bolt - Hex. M10 X 25	Boulon M10 X 25	Schraube M10 X 25	Tornillo	
32	3009492X1	1	Bolt - Hex. M10 X 25	Boulon M10 X 25	Schraube M10 X 25	Tornillo	
33	385362X1	1	Washer, Hardened - M10	Rondelle - M10	Unterlegscheibe M10	Arandela	



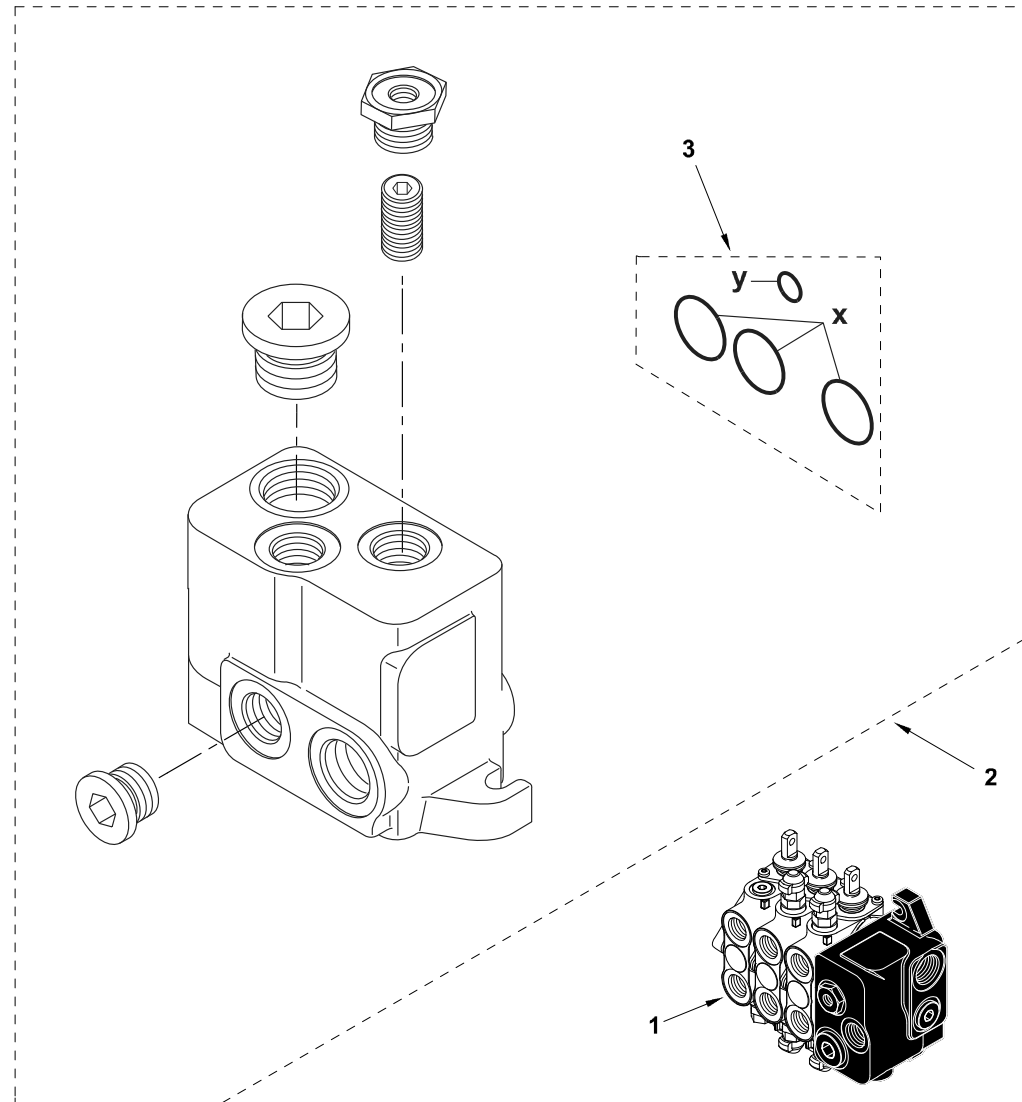
C-68007-03.1-A



Item	Part No.	Qty.	English	French	German	Spanish	Remarks
1	6109325M91	1	Valve Assembly - Loader Rexroth	Ensemble Distributio	Steuerventilblock Kp	Distribuidor, Conj.	
2	6109370M91	1	Plate - Rexroth Loader Valve W/Assy	Plaque	Platte	Placa, Conj.	
3	3009496X1	3	Bolt Hex - M10 X 45 (Coarse)	Boulon M10 X 45	Maschschraube - M10	Tornillo	
4	385362X1	3	Washer, Hardened - M10	Rondelle - M10	Unterlegscheibe M10	Arandela	
5	1440329X1	3	Nut, Hex. - Nyloc, M10	Ecrou Blocage	Flachmutter M10	Tuerca De Retención	
6	365715X91	5	Connector, Hydr.-Straight, 1 1/16 X 7/8	Borne	Doppelnippel	Conexión, Conj.	
7	#CONNECTOR	1	Connector	Connector	Connector	Connector	Ref. 6
8	835025M1	1	Ring O	Joint Torique	O Ring	Junta De Tipo O	
9	835057M91	1	Connector B1510m-12-12	Raccord	Schraubanschluss	Conexión, Conj.	
10	#CONNECTOR	1	Connector	Connector	Connector	Connector	Ref. 9
11	835025M1	1	Ring O	Joint Torique	O Ring	Junta De Tipo O	
12	357197X91	1	Elbow & O Ring	Coude	Kniestück, 90°	Codo, 90°	
13	#ELBOW	1	Elbow	Elbow	Elbow	Elbow	Ref. 12
14	831452M1	1	O Ring (Pack Of 10)	Joint Torique	O Ring	Junta De Tipo O	
15	358764X91	1	Elbow 90 Deg	Coude 90°	Kniestück, 90°	Codo, 90°	
16	#ELBOW	1	Elbow	Elbow	Elbow	Elbow	Ref. 15
17	835025M1	1	Ring O	Joint Torique	O Ring	Junta De Tipo O	
18	835014M91	1	Connector - 1 5/16" To 1 5/16"	Borne	Doppelnippel	Unión	
19	#CONNECTOR	1	Connector	Connector	Connector	Connector	Ref. 18
20	835026M1	1	O-Ring	Joint Torique	O-Ring	Junta De Tipo O	
21	6109210M91	1	Valve - Loader 3 Spool Mechanical	Ensemble Distributio	Steuerventilblock Kp	Distribuidor, Conj.	68004c04.1 1



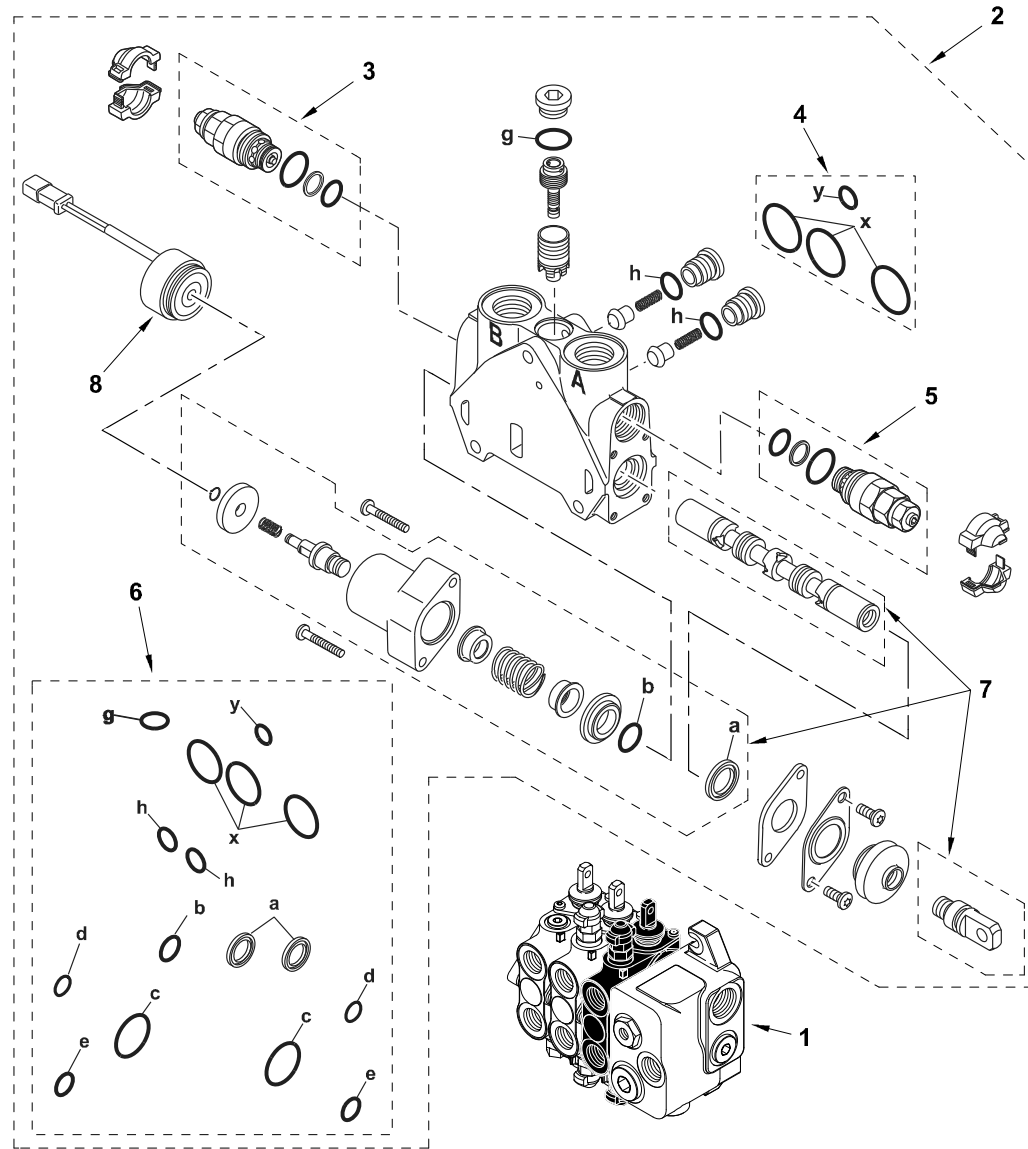
C-68007-04.1-A



Item	Part No.	Qty.	English	French	German	Spanish	Remarks
1	6109210M91	1	Valve - Loader 3 Spool Mechanical	Ensemble Distributio	Steverventilblock Kp	Distribuidor, Conj.	
2	6194535M91	1	Element - Inlet	Element - Soupape	Element - Ventil	Elemento - Válvula	Inlet
3	6193771M91	1	Seal Interface Kit	Pochette De Joints	Dichsatz	Juego De Juntas	



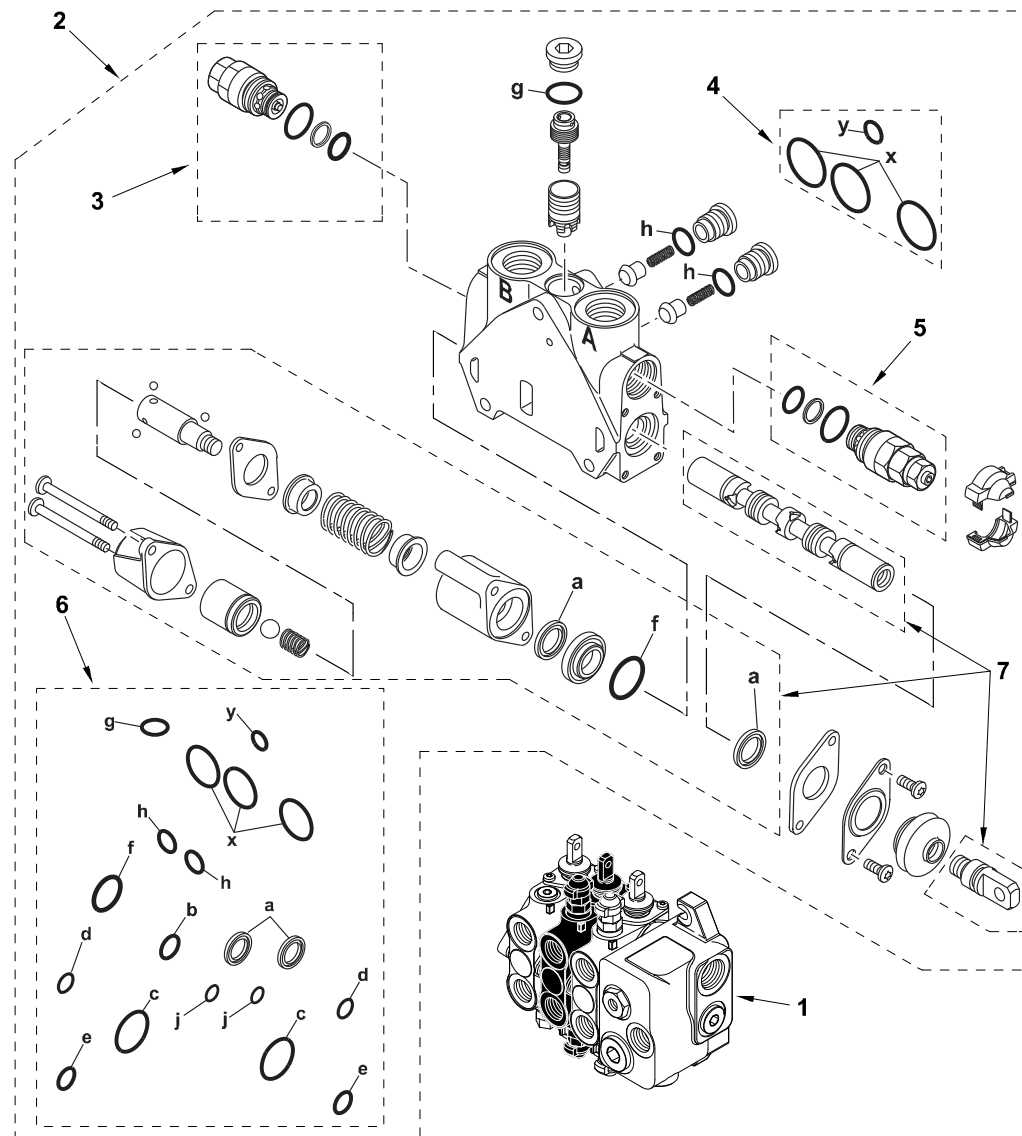
C-68007-05.1-C



Item	Part No.	Qty.	English	French	German	Spanish	Remarks
1	6109210M91	1	Valve - Loader 3 Spool Mechanical	Ensemble Distributio	Steverventilblock Kp	Distribuidor, Conj.	
2	6194531M91	1	Element - Bucket	Element - Soupape	Element - Ventil	Elemento - Válvula	
3	6193804M91	1	Pressure Relief Valve H (310 Bar)	Valve Decharge	Druckbegrventil	Válvula De Seguridad	
4	6193771M91	1	Seal Interface Kit	Pochette De Joints	Dichsatz	Juego De Juntas	
5	6193801M91	1	Pressure Relief Valve H (345 Bar)	Valve Decharge	Druckbegrventil	Válvula De Seguridad	
6	6193781M91	1	Seal Kit Complete	Jeu Etancheite	Dichtringsatz	Juege De Juntas	
7	6194835M91	1	Spool Kit (Slice - Loader Bucket)	Jeu Tiroir	Schieber Satz	Juego Carrete	
8	6195101M91	1	Solenoid Kit	Solenoide	Magnetspule	Solenoide, Conj.	



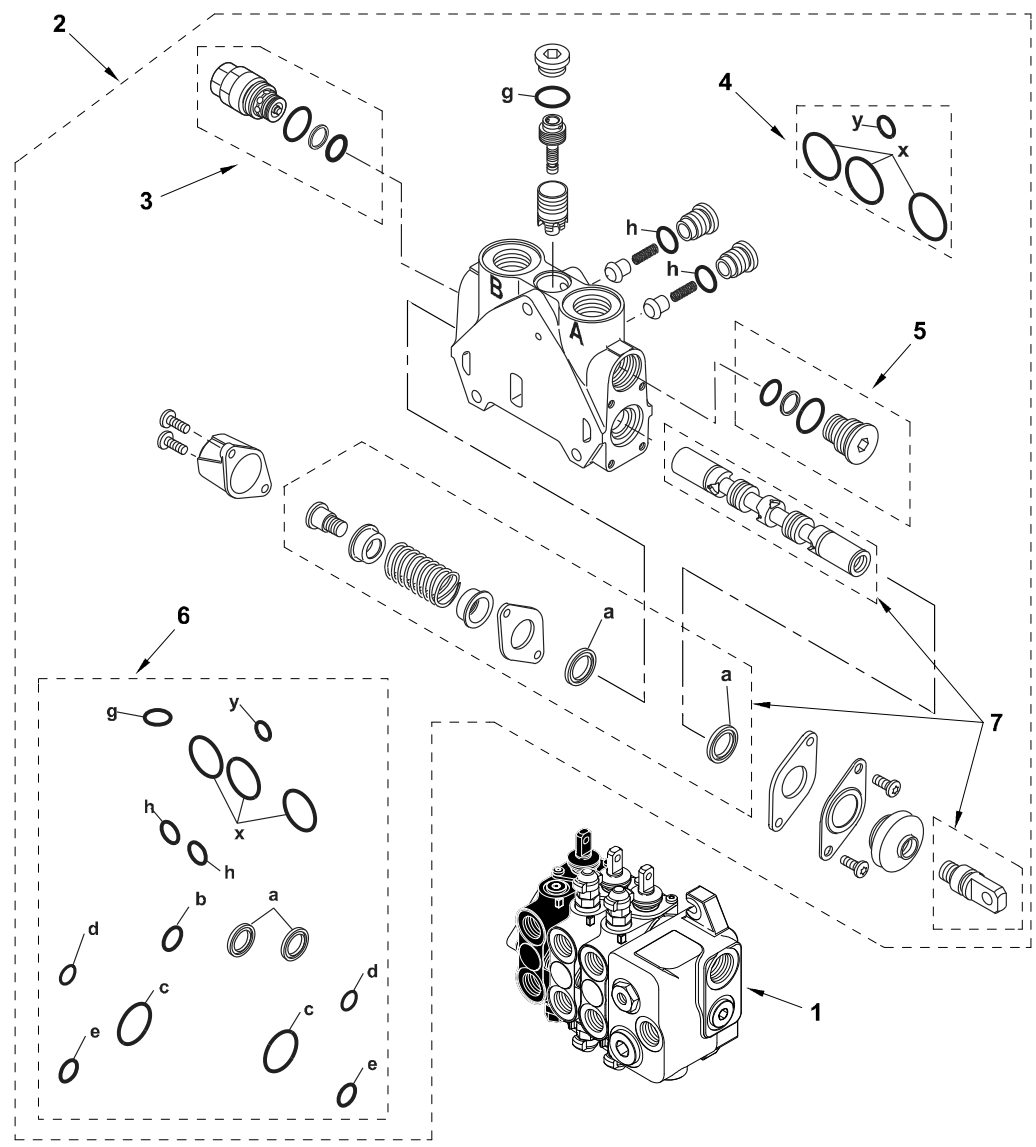
C-68007-06.1-B



Item	Part No.	Qty.	English	French	German	Spanish	Remarks
1	6109210M91	1	Valve - Loader 3 Spool Mechanical	Ensemble Distributio	Steverventilblock Kp	Distribuidor, Conj.	Continued
2	6194532M91	1	Element - Dipper	Element - Soupape	Element - Ventil	Elemento - Válvula	
3	6193782M91	1	Anti-Cavitation Valve E Port B	Ensemble De Soupape	Ventil Kpl.	Válvula, Conj.	
4	6193771M91	1	Seal Interface Kit	Pochette De Joints	Dichsatz	Juego De Juntas	
5	6193800M91	1	Pressure Relief Valve H 240 Bar	Valve Decharge	Druckbegrventil	Válvula De Seguridad	
6	6194518M91	1	Seal Kit	Jeu Etancheite	Dichtringsatz	Juego De Juntas	
7	6194836M91	1	Spool Kit (Slice - Loader Arm)	Jeu Tiroir	Schieber Satz	Juego Carrete	



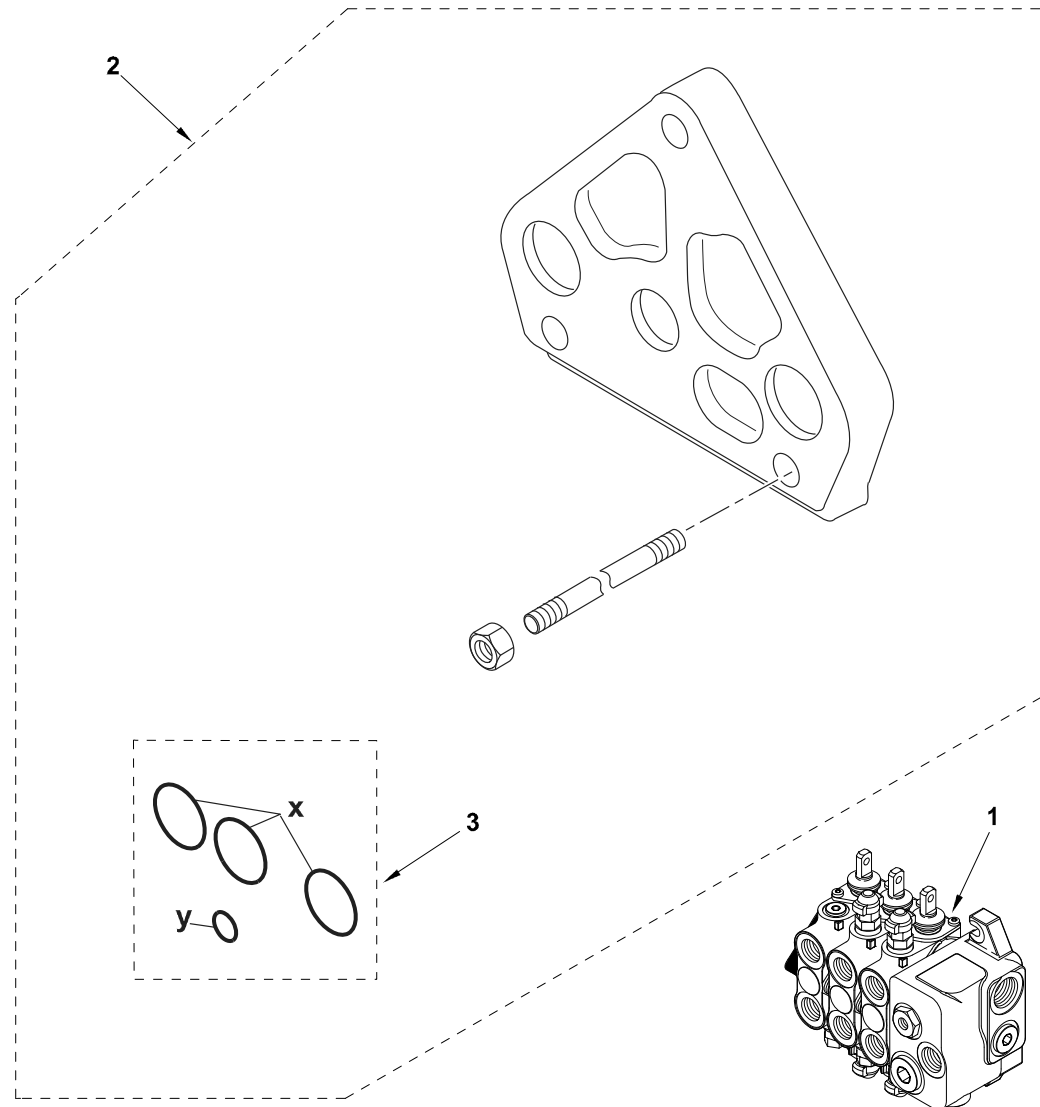
C-68007-07.1-B



Item	Part No.	Qty.	English	French	German	Spanish	Remarks
1	6109210M91	1	Valve - Loader 3 Spool Mechanical	Ensemble Distributio	Steverventilblock Kp	Distribuidor, Conj.	
2	6194533M91	1	Element - 4 X 1	Element - Soupape	Element - Ventil	Elemento - Válvula	
3	6193782M91	1	Anti-Cavitation Valve E Port B	Ensemble De Soupape	Ventil Kpl.	Válvula, Conj.	
4	6193771M91	1	Seal Interface Kit	Pochette De Joints	Dichsatz	Juego De Juntas	
5	6193785M91	1	Plug Q - Port B	Bouchon	Stopfen	Tapón, Conj.	
6	6193791M91	1	Seal Kit - L/S Valve	Jeu Étanchéité	Dichtringsatz	Juego De Juntas	
7	6194828M91	1	Spool Kit (Slice - Bucket 4 In 1 Loader)	Jeu Tiroir	Schieber Satz	Juego Carrete	



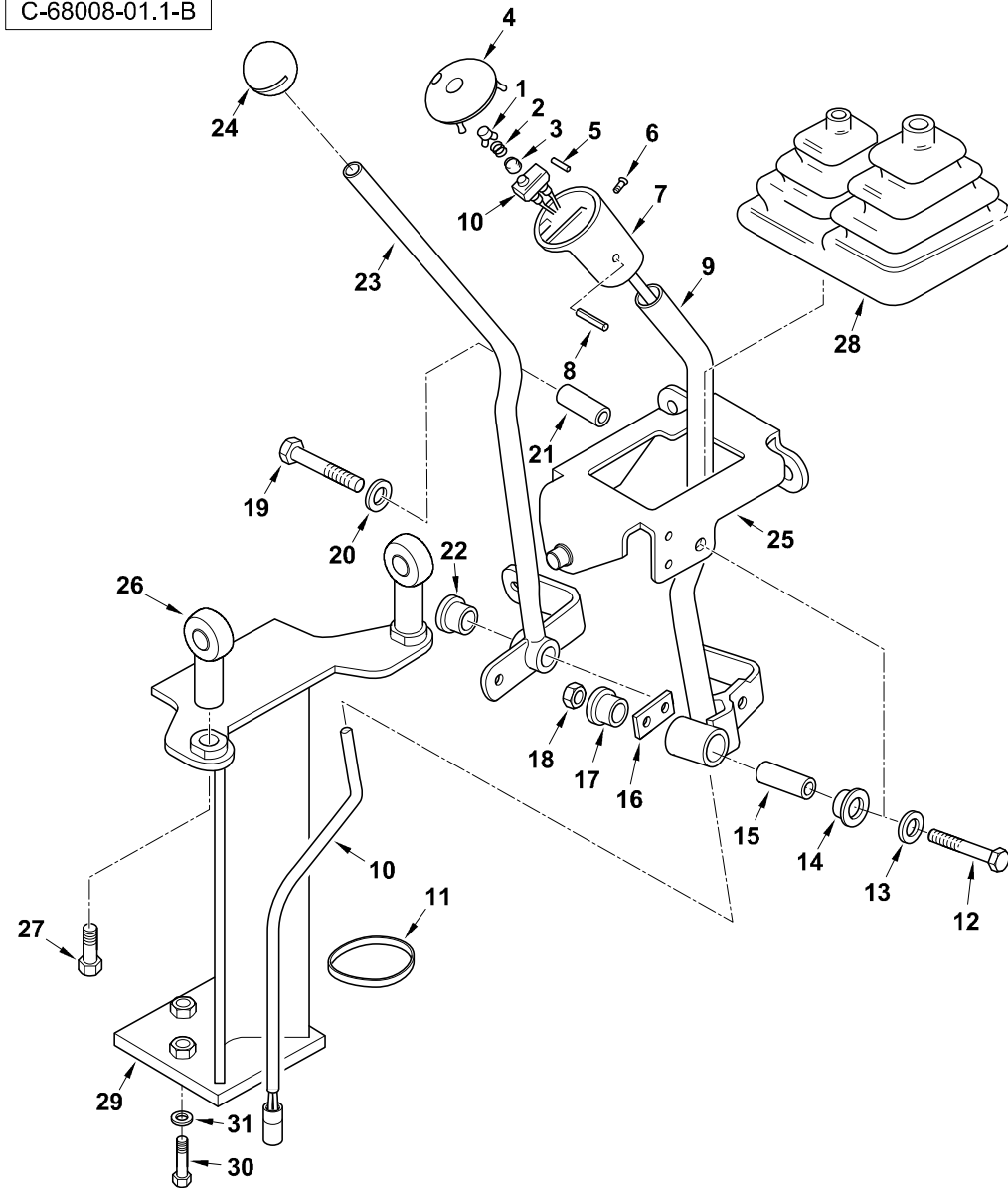
C-68007-08.1-A



Item	Part No.	Qty.	English	French	German	Spanish	Remarks
1	6109210M91	1	Valve - Loader 3 Spool Mechanical	Ensemble Distributio	Steverventilblock Kp	Distribuidor, Conj.	
2	6194517M91	1	Element - Outlet	Element - Soupape	Element - Ventil	Elemento - Válvula	
3	6193771M91	1	Seal Interface Kit	Pochette De Joints	Dichsatz	Juego De Juntas	



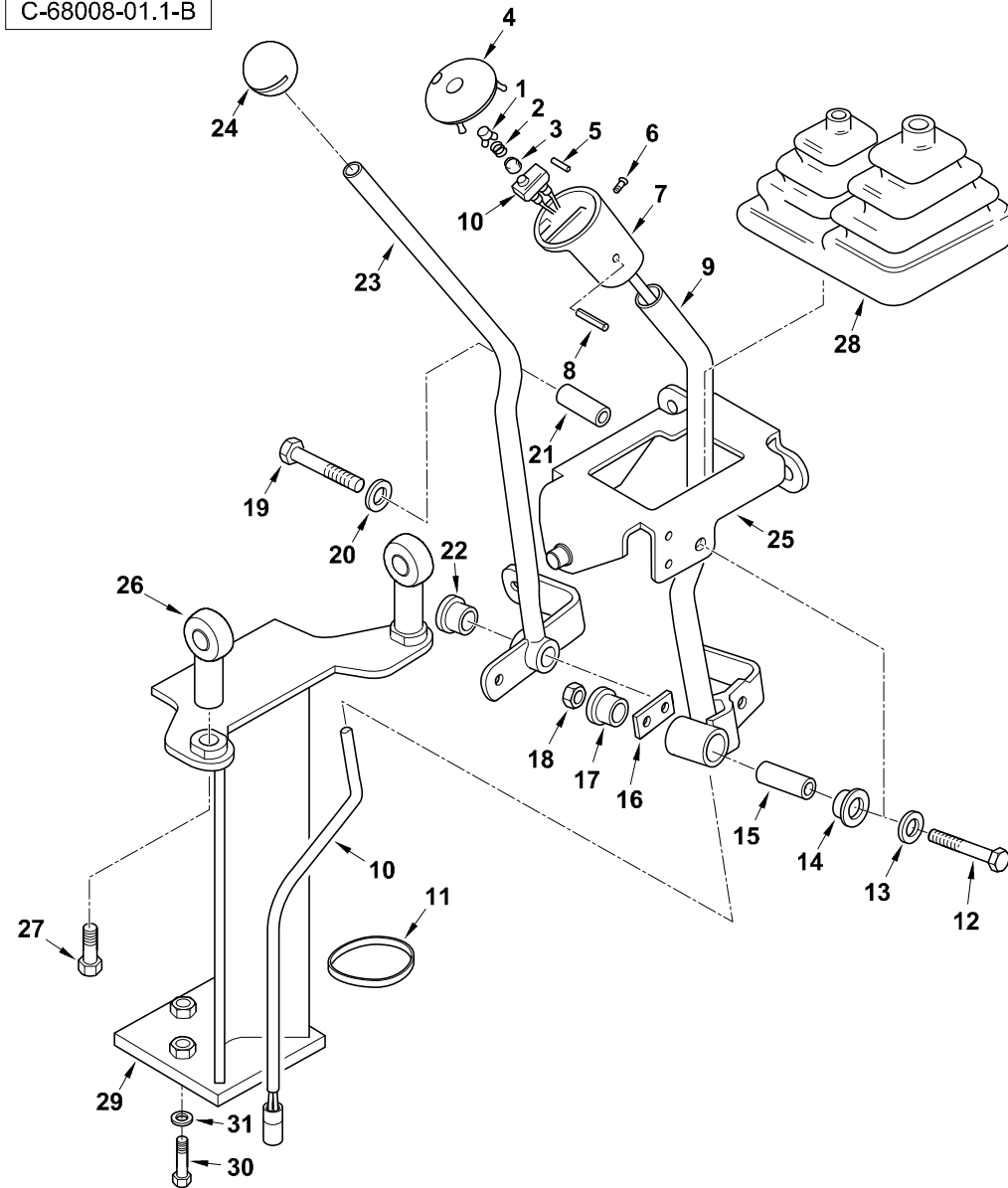
C-68008-01.1-B



Item	Part No.	Qty.	English	French	German	Spanish	Remarks
1	3521894M4	2	Button Ldr Cntls	Bouton	Knopf	Botón	
2	3520328M3	2	Spring	Siege De Ressort	Feder	Muelle	
3	3522894M1	2	Boot Control Knob	Coffre	Schutzkappe	Fuelle	
4	3522285M5	1	Knob Top Ldr Cntl	Boule	Knauf	Bola	
5	3522507M3	4	Pin Parallel	Goupille D´Arrêt	Sicherungsstift	Pasador	
6	3516886M1	2	Screw C/Sk 1/4 Lng	Vis	Schraube	Tornillo	
7	3522621M5	1	Base Control Knob	Poignée De Levier	Griff	Empuñ. Palanca	
8	3019531X1	1	Pin - Roll	Goupille Elastique	Spannhulse	Pasador Elástico	
9	6109383M91	1	Lever - Loader Control W/Assy	Levier	Hebel	Palanca, Conj.	
10	3516043M94	1	Switch And Harness - Ldr. Cont. Lever	Interrupteur	Beschirring	Haz	
11	1664405M1	1	Tie Mm T50s	Attache Cable	Kabelbinder	Enlace De Cable	
12	339159X1	1	Bolt M8-65	Boulon	Bolzen	Tornillo	
13	6108769M1	1	Washer-M8 Nord-Lock	Rondelle De Blocage	Federring M8	Arandela De Freno	
14	6106560M1	1	Bush	Douille	Buechse	Anillo	
15	6106561M3	1	Spacer-Loader Controls	Entretoise	Abstandstueck	Traviesa	
16	6106562M1	1	Plate-L/Cont. Tie Bar	Barre	Stab	Placa	
17	6106560M1	1	Bush	Douille	Buechse	Anillo	
18	339159X1	1	Bolt M8-65	Boulon	Bolzen	Tornillo	
19	339291X1	1	Bolt M8-55 Z5s	Goupille	Bolzen M8 X 55	Tornillo	
20	6108769M1	1	Washer-M8 Nord-Lock	Rondelle De Blocage	Federring M8	Arandela De Freno	
21	6106561M3	1	Spacer-Loader Controls	Entretoise	Abstandstueck	Traviesa	
22	6106560M1	2	Bush	Douille	Buechse	Anillo	
23	6109386M91	1	Lever - Clam Control W/Assy	Levier	Hebel	Palanca, Conj.	
24	3509755M2	1	Knob Yellow	Boule	Knauf	Bola	
25	6109381M91	1	Cradle - Rexroth Valve W/Assy	Berceau	Fahrschemel	Soporte	
26	6102844M1	2	Rodend-M12 Spherical	Support De Fixation	Kugelkopf, Plastik	Soporte De Fijación	
27	3009505X1	2	Hex. Bolt, M12 X 25 - Coarse	Boulon	Bolzen M12 X 25	Perno	
28	6109928M1	1	Gaiter (Black) - Loader Lever	Souf•et	Manschette	Fuelle	
29	6109802M91	1	Loader Control Column Assy	Ensemble De Support	Haltevorrichtung	Apoyadero, Conj.	
30	339009X1	3	Bolt - M8 X 35	Boulon M8 X 35	Maschschraube M8	Tornillo	



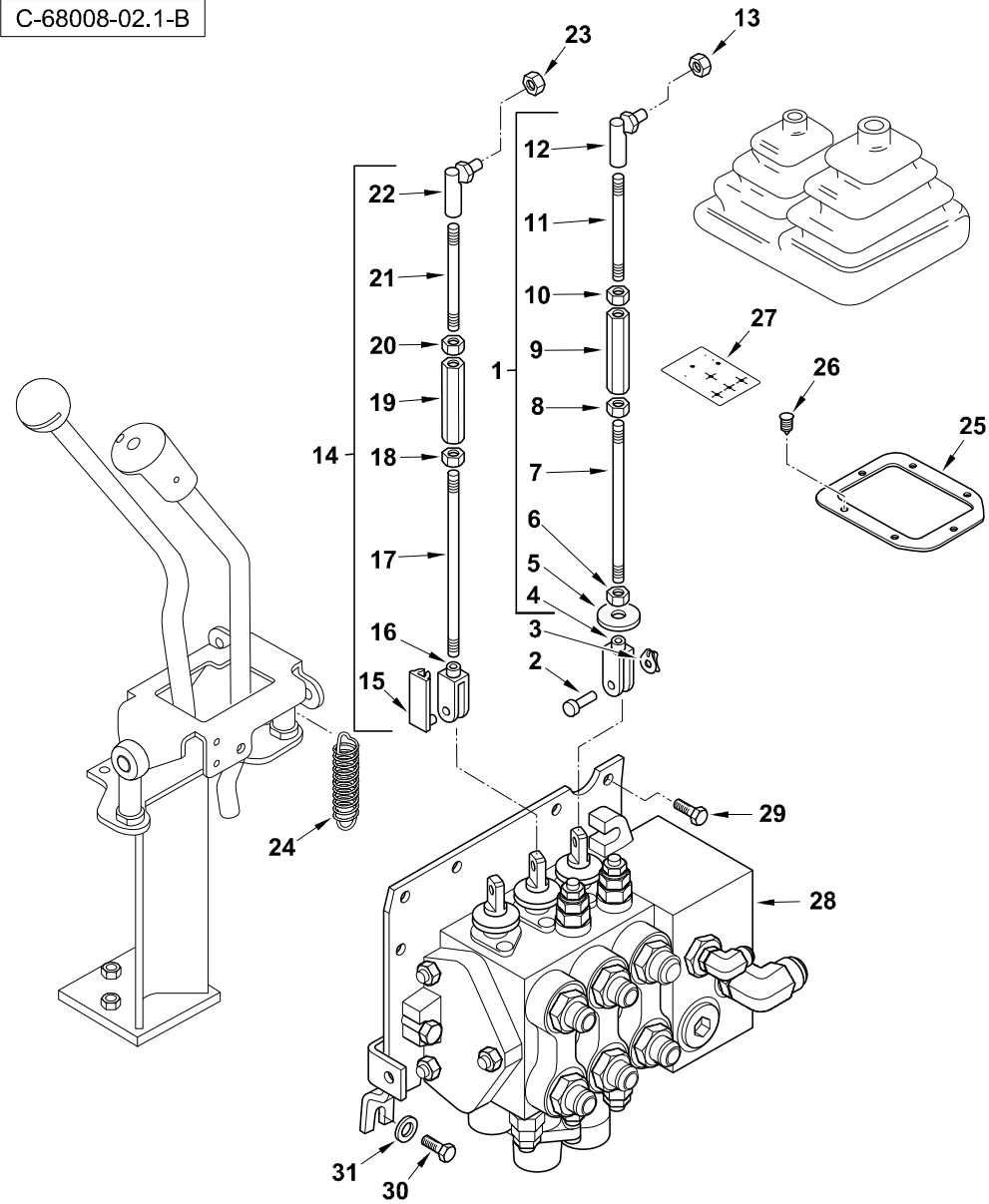
C-68008-01.1-B



Item	Part No.	Qty.	English	French	German	Spanish	Remarks
31	339374X1	3	Washer M8 -21-2 Z	Rondelle Frein - M8	Federring - M8	Arandela De Freno	



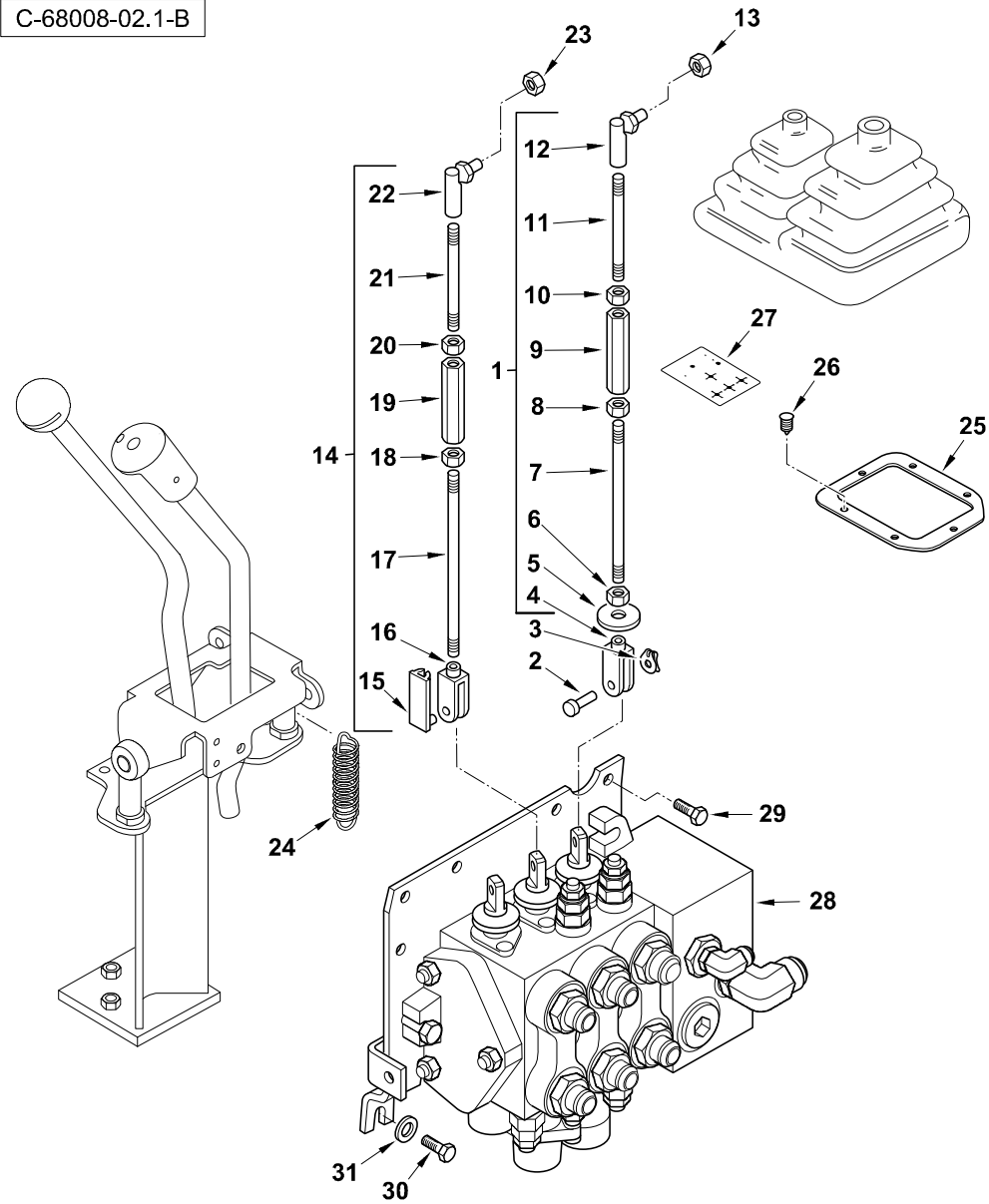
C-68008-02.1-B



Item	Part No.	Qty.	English	French	German	Spanish	Remarks
1	6102738M93	1	Rod Assy. - Loader Control	Ensemble Tringlerie	Gestänge	Tirantes, Conj.	
2	6102816M1	1	Pin-Clevis	Axe De Chape	Gabelstift	Eje De Brida	
3	3516322M1	1	Clip, Spring - No.8	Clip	Klips	Clip	
4	3519590M1	1	Clevis LH Thread	Chape	Gabelverbindung	Brida	
5	3518878M3	1	Washer	Rondelle	Scheibe	Arandela	
6	3519650M1	1	Nut, Hex - M8, L/H Thread	Ecrou	Mutter	Tuerca	
7	#ROD	1	Rod	Rod	Rod	Rod	
8	339169X1	1	Nut, Hex. - M8, Coarse	Ecrou Métrique	Mutter Metrisch	Tuerca	
9	6102733M1	1	Turnbuckle M8	Tendeur De Tringle	Spannschloss	Torniquete	
10	3519650M1	1	Nut, Hex - M8, L/H Thread	Ecrou	Mutter	Tuerca	
11	#ROD	1	Rod	Rod	Rod	Rod	
12	3519589M1	1	Ball-Joint	Rotule	Kugelgelenk	Rotula	
13	394367X1	1	Nut, Hex. - Nyloc, M8	Ecrou Blocage M8	Flachmutter - M8	Tuerca De Retención	
14	6102737M92	2	Rod Assy. - Loader Control	Tringle	Stange	Tirantes, Conj.	
15	3520666M1	1	Pin W/ Spring Clip	Axe De Chape	Gabelstift	Eje De Brida	
16	3519590M1	1	Clevis LH Thread	Chape	Gabelverbindung	Brida	
17	#ROD	1	Rod	Rod	Rod	Rod	Ref. 14
18	339169X1	1	Nut, Hex. - M8, Coarse	Ecrou Métrique	Mutter Metrisch	Tuerca	
19	6102733M1	1	Turnbuckle M8	Tendeur De Tringle	Spannschloss	Torniquete	
20	3519650M1	1	Nut, Hex - M8, L/H Thread	Ecrou	Mutter	Tuerca	
21	#ROD	1	Rod	Rod	Rod	Rod	Ref. 14
22	3519589M1	1	Ball-Joint	Rotule	Kugelgelenk	Rotula	
23	394367X1	2	Nut, Hex. - Nyloc, M8	Ecrou Blocage M8	Flachmutter - M8	Tuerca De Retención	
24	6109761M1	1	Spring-Ldr Control	Siège De Ressort	Federsitz	Muelle	
25	3516856M3	1	Plate, Gaiter - Loader Controls	Plaque	Platte	Placa	
26	3521303M3	6	Fastener, Plastic - Gear Lever Gaiter	Agrafe	Halteklammer	Enganche	
27	6101874M1	1	Decal-Ldr Controls 7 In 1	Adhésif	Aufkleber	Adhesivo	
28	6109325M91	1	Valve Assembly - Loader Rexroth	Ensemble Distributio	Steuerventilblock Kp	Distribuidor, Conj.	[68008c01.1]
29	3009492X1	2	Bolt - Hex. M10 X 25	Boulon M10 X 25	Schraube M10 X 25	Tornillo	
30	3009492X1	1	Bolt - Hex. M10 X 25	Boulon M10 X 25	Schraube M10 X 25	Tornillo	



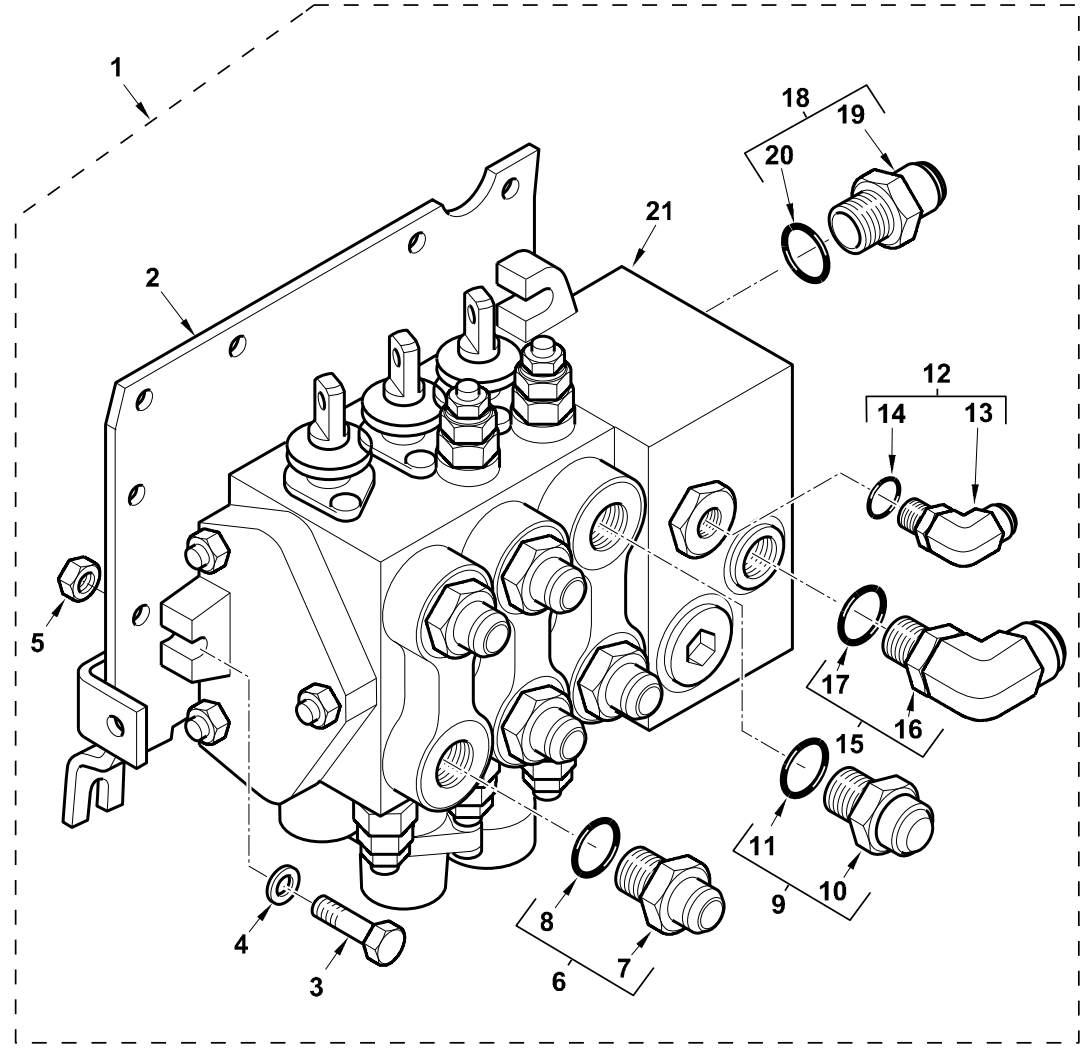
C-68008-02.1-B



Item	Part No.	Qty.	English	French	German	Spanish	Remarks
31	385362X1	1	Washer, Hardened - M10	Rondelle - M10	Unterlegscheibe M10	Arandela	



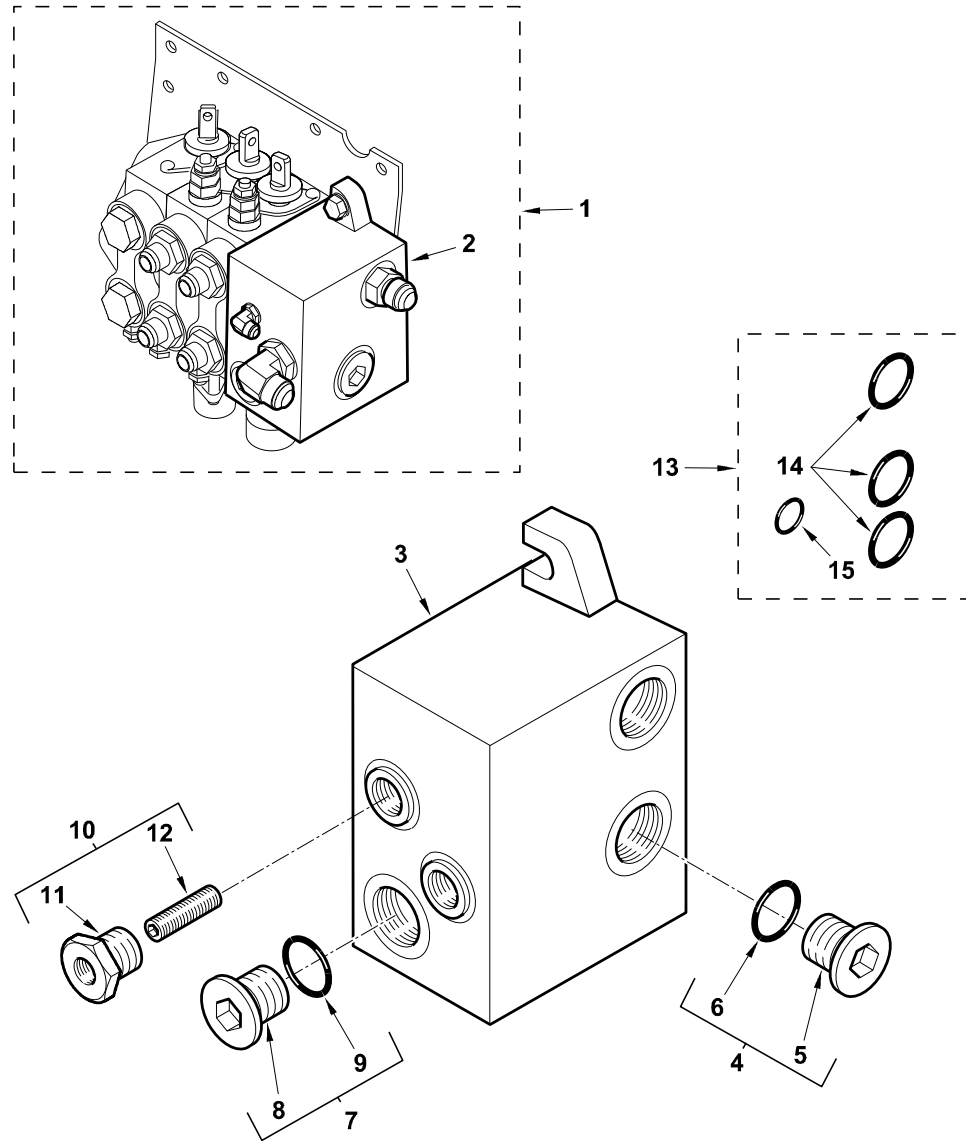
C-68008-03.1-A



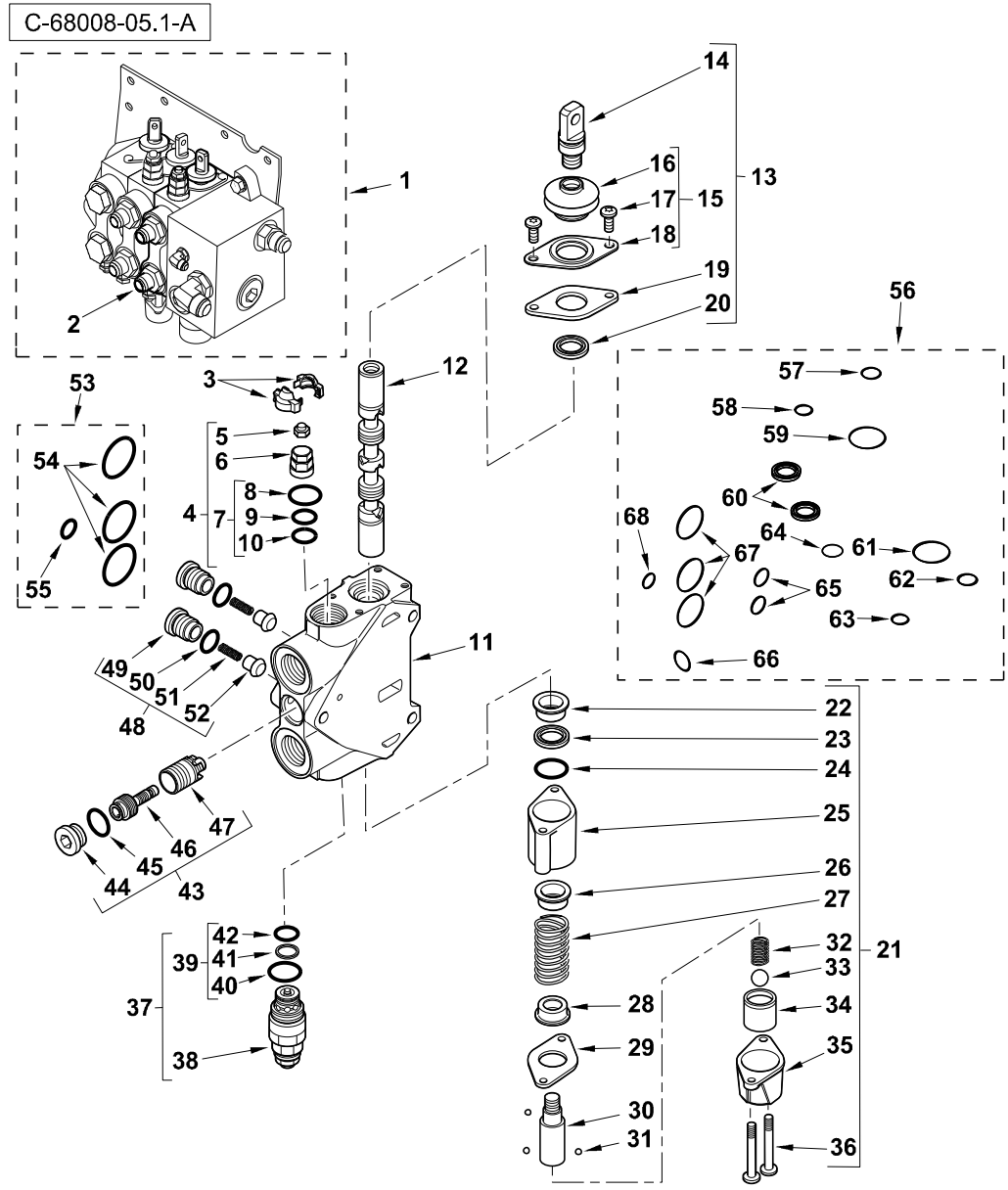
Item	Part No.	Qty.	English	French	German	Spanish	Remarks
1	6109325M91	1	Valve Assembly - Loader Rexroth	Ensemble Distributio	Steuerventilblock Kp	Distribuidor, Conj.	
2	6109370M91	1	Plate - Rexroth Loader Valve W/Assy	Plaque	Platte	Placa, Conj.	
3	3009496X1	3	Bolt Hex - M10 X 45 (Coarse)	Boulon M10 X 45	Maschschraube - M10	Tornillo	
4	385362X1	3	Washer, Hardened - M10	Rondelle - M10	Unterlegscheibe M10	Arandela	
5	1440329X1	3	Nut, Hex. - Nyloc, M10	Ecrou Blocage	Flachmutter M10	Tuerca De Retención	
6	365715X91	5	Connector, Hydr.-Straight, 1 1/16 X 7/8	Borne	Doppelnippel	Conexión, Conj.	
7	#CONNECTOR	1	Connector	Connector	Connector	Connector	Ref. 6
8	835025M1	1	Ring O	Joint Torique	O Ring	Junta De Tipo O	
9	835057M91	1	Connector B1510m-12-12	Raccord	Schraubanschluss	Conexión, Conj.	
10	#CONNECTOR	1	Connector	Connector	Connector	Connector	Ref. 9
11	835025M1	1	Ring O	Joint Torique	O Ring	Junta De Tipo O	
12	357197X91	1	Elbow & O Ring	Coude	Kniestück, 90°	Codo, 90°	
13	#ELBOW	1	Elbow	Elbow	Elbow	Elbow	Ref. 12
14	831452M1	1	O Ring (Pack Of 10)	Joint Torique	O Ring	Junta De Tipo O	
15	358764X91	1	Elbow 90 Deg	Coude 90°	Kniestück, 90°	Codo, 90°	
16	#ELBOW	1	Elbow	Elbow	Elbow	Elbow	Ref. 15
17	835025M1	1	Ring O	Joint Torique	O Ring	Junta De Tipo O	
18	835014M91	1	Connector - 1 5/16" To 1 5/16"	Borne	Doppelnippel	Unión	
19	#CONNECTOR	1	Connector	Connector	Connector	Connector	Ref. 18
20	835026M1	1	O-Ring	Joint Torique	O-Ring	Junta De Tipo O	
21	6109210M91	1	Valve - Loader 3 Spool Mechanical	Ensemble Distributio	Steuerventilblock Kp	Distribuidor, Conj.	[68008c04.1 1]



C-68008-04.1-A

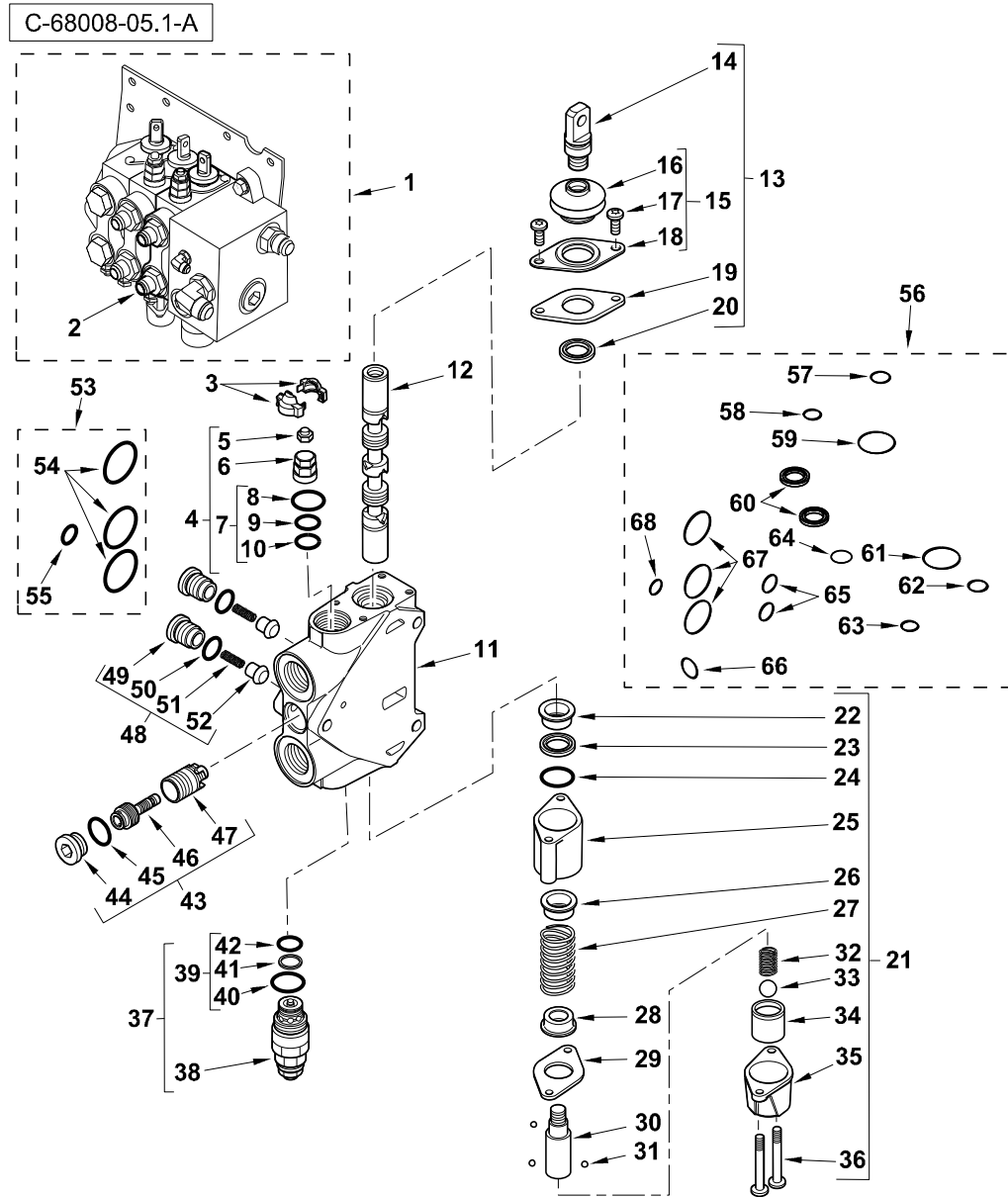


Item	Part No.	Qty.	English	French	German	Spanish	Remarks
1	6109210M91	1	Valve - Loader 3 Spool Mechanical	Ensemble Distributio	Steverventilblock Kp	Distribuidor, Conj.	
2	#VALVE	1	Valve	Soupape	Ventil	Válvula	Inlet
3	#BODY	1	Body	Body	Body	Body	
4	6193773M91	1	Plug For P 1.1/16 Unf	Bouchon	Stopfen	Tapón, Conj.	
5	#PLUG	1	Plug	Plug	Plug	Plug	Ref. 4
6	#O-RING	1	O-Ring	Joint Torique	O-Ring	Junta Tórica	Ref. 4
7	6193772M91	1	Plug Fot T Port 5/16 Unf	Bouchon	Stopfen	Tapón, Conj.	
8	#PLUG	1	Plug	Plug	Plug	Plug	Ref. 7
9	#O-RING	1	O-Ring	Joint Torique	O-Ring	Junta Tórica	Ref. 7
10	6193770M91	1	Closed Centre Kit	Ensemble De Soupape	Ventil Kpl.	Válvula, Conj.	
11	#VALVE	1	Valve	Soupape	Ventil	Válvula	Ref. 10
12	#SPRING	1	Spring	Ressort	Feder	Muelle	Ref. 10
13	6193771M91	0	Seal Interface Kit	Pochette De Joints	Dichtsatz	Juego De Juntas	
14	#O-RING	3	O-Ring	Joint Torique	O-Ring	Junta Tórica	Ref. 13
15	#O-RING	1	O-Ring	Joint Torique	O-Ring	Junta Tórica	Ref. 13



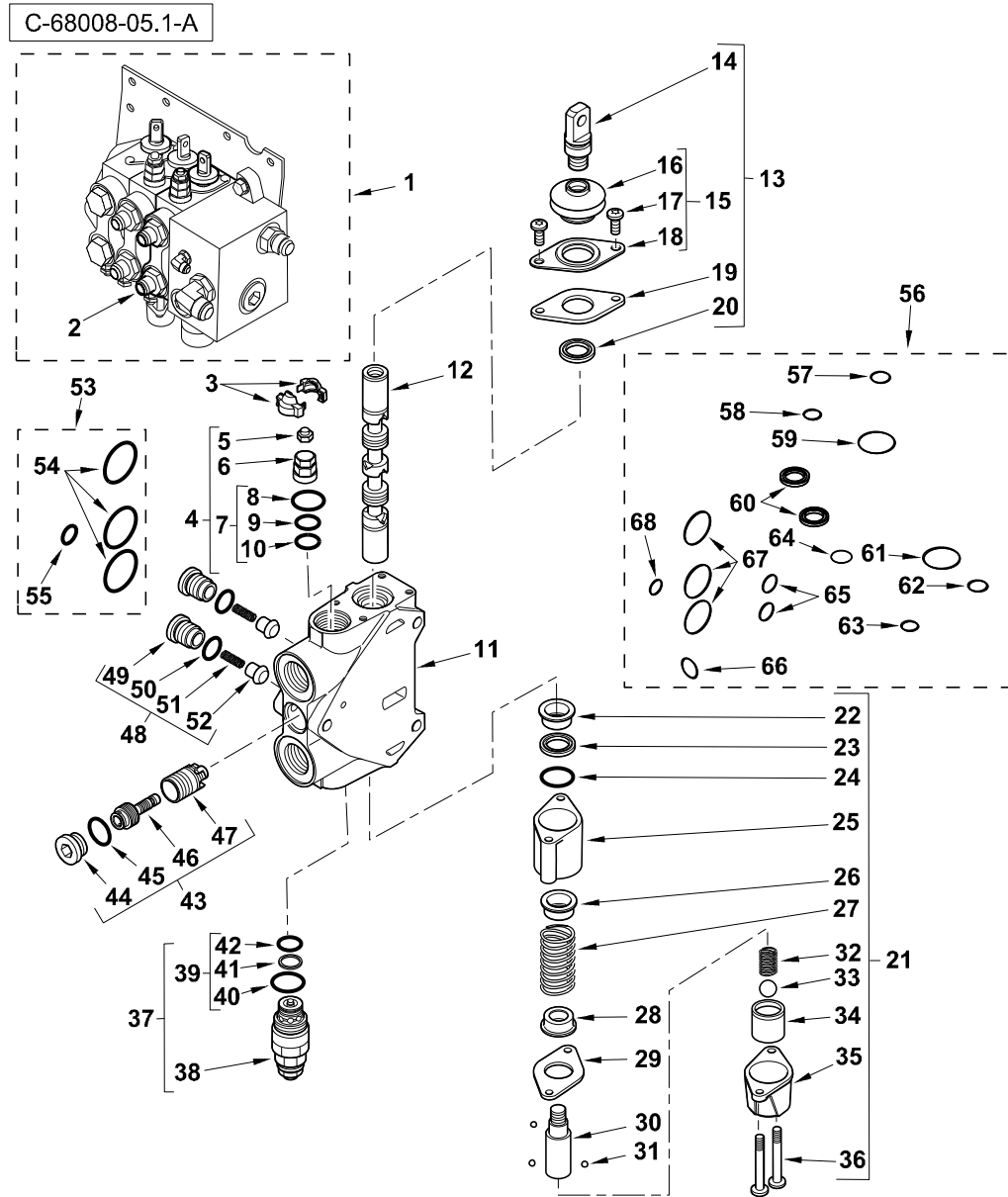
Item	Part No.	Qty.	English	French	German	Spanish	Remarks
1	6109210M91	1	Valve - Loader 3 Spool Mechanical	Ensemble Distributio	Steverventilblock Kp	Distribuidor, Conj.	Continued
2	#VALVE	1	Valve	Soupape	Ventil	Válvula	
3	#COVER	0	Cover	Cover	Cover	Cover	Ref. 2
4	6193778M91	1	Pressure Relief Valve H Port A (240 Bar)	Valve Decharge	Druckbegrventil	Válvula De Seguridad	
5	#NUT	1	Nut	Ecrou	Mutter	Tuerca	Ref. 4
6	#VALVE	1	Valve	Soupape	Ventil	Válvula	Ref. 4
7	6193779M91	1	Seal Kit - Relief Valve	Jeu Étanchéité	Dichtringsatz	Juego De Juntas	
8	#O-RING	1	O-Ring	Joint Torique	O-Ring	Junta Tórica	Ref. 7
9	#O-RING	1	O-Ring	Joint Torique	O-Ring	Junta Tórica	Ref. 7
10	#O-RING	1	O-Ring	Joint Torique	O-Ring	Junta Tórica	Ref. 7
11	#BODY	1	Body	Body	Body	Body	Ref. 2
12	#SPOOL	1	Spool	Spool	Spool	Spool	Ref. 2
13	6193780M91	1	Kit - Mechanical Optd Z1	Lot De Pièces	Ersatzteilpaket	Juego De Piezas	
14	#SCREW	1	Screw	Vis	Schraube	Tornillo	Ref. 13
15	6193783M91	1	Bellows Kit	Lot De Pieces	Dichtung	Juego De Piezas	Ref. 13
16	#SEAL	1	Seal	Joint Étanchéité	Dichtring	Retén	Ref. 15
17	#SCREW	2	Screw	Vis	Schraube	Tornillo	Ref. 15
18	#COVER	1	Cover	Cover	Cover	Cover	Ref. 15
19	#PLATE	1	Plate	Plaque	Platte	Plato	Ref. 13
20	6194492M1	1	Lip Seal - Rexorth Ref: 8100160	Joint Étanchéité	Dichtring	Junta	
21	6193797M91	1	Mechanical Optd Kit E2	Lot De Pièces	Ersatzteilpaket	Juego De Piezas	
22	#GUIDE	1	Guide	Guide	Guide	Guide	Ref. 21
23	6194492M1	1	Lip Seal - Rexorth Ref: 8100160	Joint Étanchéité	Dichtring	Junta	
24	#O-RING	1	O-Ring	Joint Torique	O-Ring	Junta Tórica	Ref. 21
25	#BODY	1	Body	Body	Body	Body	Ref. 21
26	#HOLDER	1	Holder	Holder	Holder	Holder	Ref. 21
27	#SPRING	1	Spring	Ressort	Feder	Muelle	Ref. 21
28	#HOLDER	1	Holder	Holder	Holder	Holder	Ref. 21
29	#PLATE	1	Plate	Plaque	Platte	Plato	Ref. 21
30	#VALVE	1	Valve	Soupape	Ventil	Válvula	Ref. 21





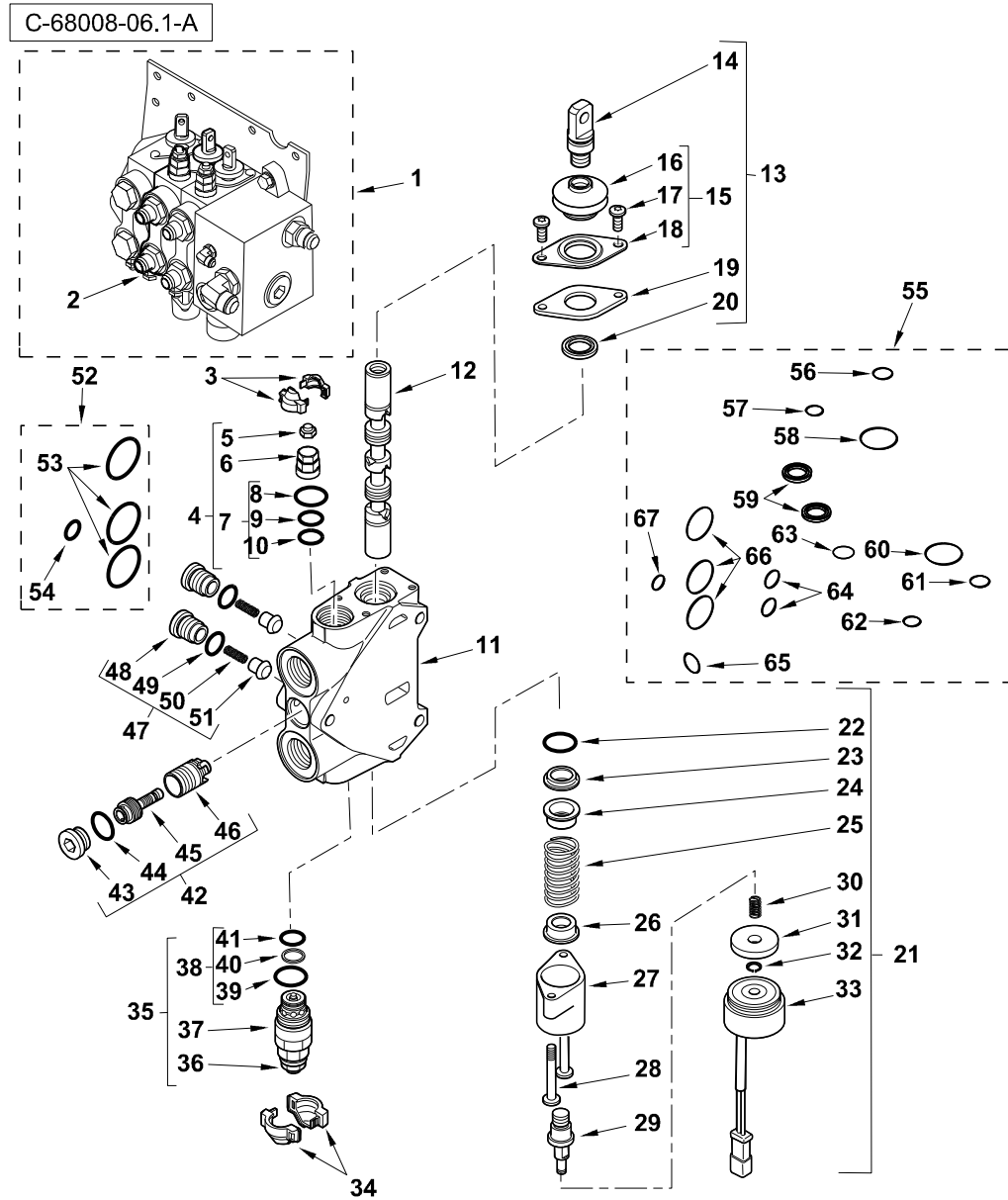
Item	Part No.	Qty.	English	French	German	Spanish	Remarks
31	#BALL	3	Ball	Ball	Ball	Ball	Ref. 21
32	#SPRING	1	Spring	Ressort	Feder	Muelle	Ref. 21
33	#BALL	1	Ball	Ball	Ball	Ball	Ref. 21
34	#GUIDE	1	Guide	Guide	Guide	Guide	Ref. 21
35	#CAP	1	Cap	Chapeau	Kappe	Tapa	Ref. 21
36	#BOLT	2	Bolt	Boulon	Schraubbolzen	Perno	Ref. 21
37	6193782M91	1	Anti-Cavitation Valve E Port B	Ensemble De Soupape	Ventil Kpl.	Válvula, Conj.	
38	#VALVE	1	Valve	Soupape	Ventil	Válvula	Ref. 37
39	#KIT, PARTS	1	Kit, Parts	Kit, Parts	Kit, Parts	Kit, Parts	Ref. 37
40	#O-RING	1	O-Ring	Joint Torique	O-Ring	Junta Tórica	Ref. 39
41	#O-RING	1	O-Ring	Joint Torique	O-Ring	Junta Tórica	Ref. 39
42	#O-RING	1	O-Ring	Joint Torique	O-Ring	Junta Tórica	Ref. 39
43	6193774M91	1	Kit - Compensator	Ensemble De Soupape	Ventil Kpl.	Válvula, Conj.	
44	#PLUG	1	Plug	Plug	Plug	Plug	Ref. 43
45	#O-RING	1	O-Ring	Joint Torique	O-Ring	Junta Tórica	Ref. 43
46	#VALVE	1	Valve	Soupape	Ventil	Válvula	Ref. 43
47	#GUIDE	1	Guide	Guide	Guide	Guide	Ref. 43
48	6193775M91	2	Check Valve Kit	Clapet Anti-Retour	Rückschlagventil	Válvula De Parada	
49	#PLUG	1	Plug	Plug	Plug	Plug	Ref. 48
50	#O-RING	1	O-Ring	Joint Torique	O-Ring	Junta Tórica	Ref. 48
51	#SPRING	1	Spring	Ressort	Feder	Muelle	Ref. 48
52	#VALVE	1	Valve	Soupape	Ventil	Válvula	Ref. 48
53	6193771M91	0	Seal Interface Kit	Pochette De Joints	Dichsatz	Juego De Juntas	
54	#O-RING	3	O-Ring	Joint Torique	O-Ring	Junta Tórica	Ref. 53
55	#O-RING	1	O-Ring	Joint Torique	O-Ring	Junta Tórica	Ref. 53
56	6193781M91	0	Seal Kit Complete	Jeu Etancheite	Dichtringsatz	Juege De Juntas	
57	#O-RING	1	O-Ring	Joint Torique	O-Ring	Junta Tórica	18.77 X 1.78 Ref. 56
58	#O-RING	1	O-Ring	Joint Torique	O-Ring	Junta Tórica	15.6 X 1.78 Ref. 56
59	#O-RING	1	O-Ring	Joint Torique	O-Ring	Junta Tórica	36.3 X 1.78 Ref. 56
60	6194492M1	2	Lip Seal - Rexorth Ref: 8100160	Joint Étanchéité	Dichtring	Junta	





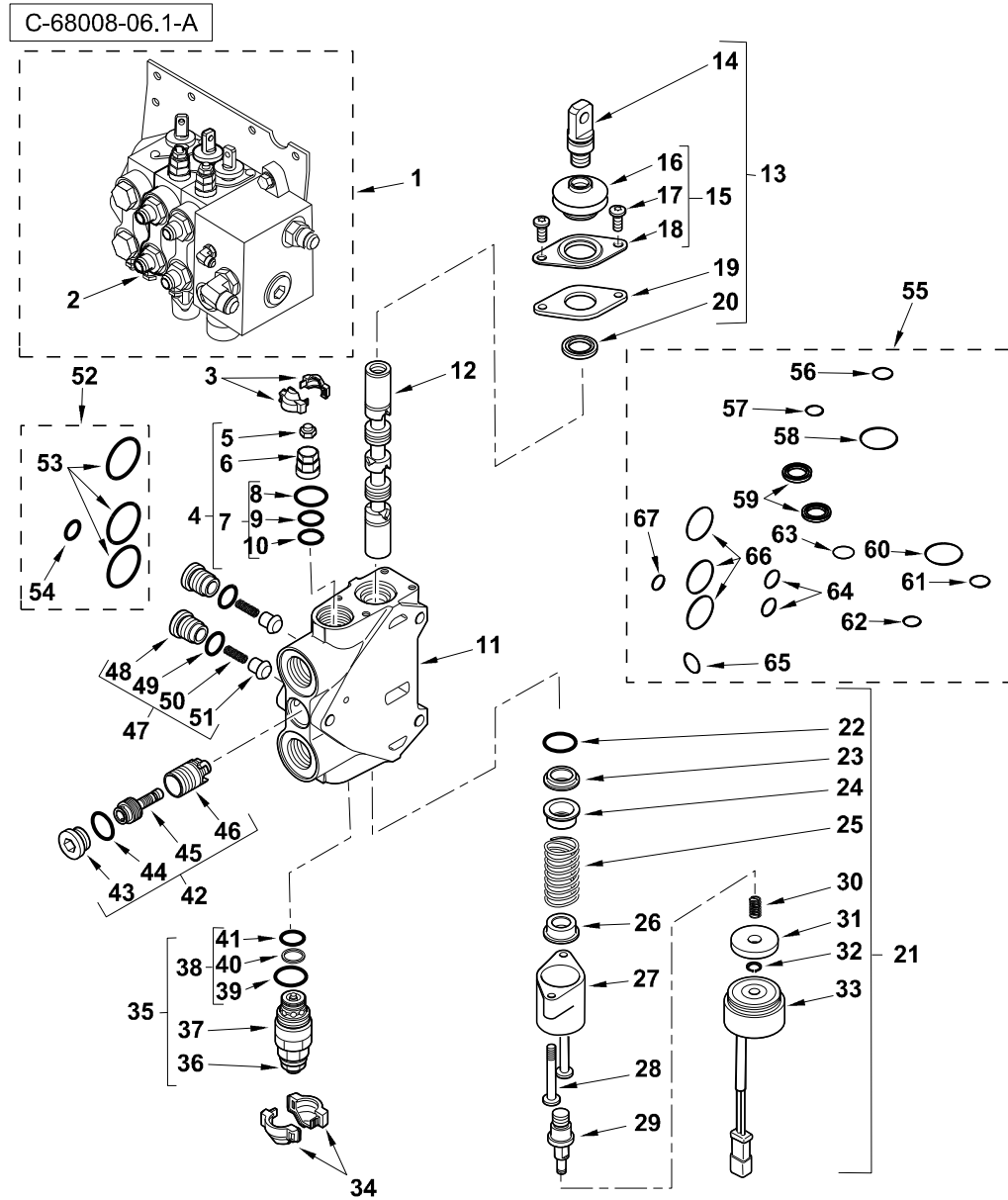
Item	Part No.	Qty.	English	French	German	Spanish	Remarks
61	#O-RING	1	O-Ring	Joint Torique	O-Ring	Junta Tórica	36.3 X 1.78 Ref. 56
62	#O-RING	1	O-Ring	Joint Torique	O-Ring	Junta Tórica	18.77 X 1.78 Ref. 56
63	#O-RING	1	O-Ring	Joint Torique	O-Ring	Junta Tórica	15.6 X 1.78 Ref. 56
64	#O-RING	1	O-Ring	Joint Torique	O-Ring	Junta Tórica	18 X 2.5 Ref. 56
65	#O-RING	2	O-Ring	Joint Torique	O-Ring	Junta Tórica	15 X 2 Ref. 56
66	#O-RING	1	O-Ring	Joint Torique	O-Ring	Junta Tórica	19.4 X 2.1 Ref. 56
67	#O-RING	3	O-Ring	Joint Torique	O-Ring	Junta Tórica	29.82 X 2.62 Ref. 56
68	#O-RING	1	O-Ring	Joint Torique	O-Ring	Junta Tórica	10.77 X 2.62 Ref. 56





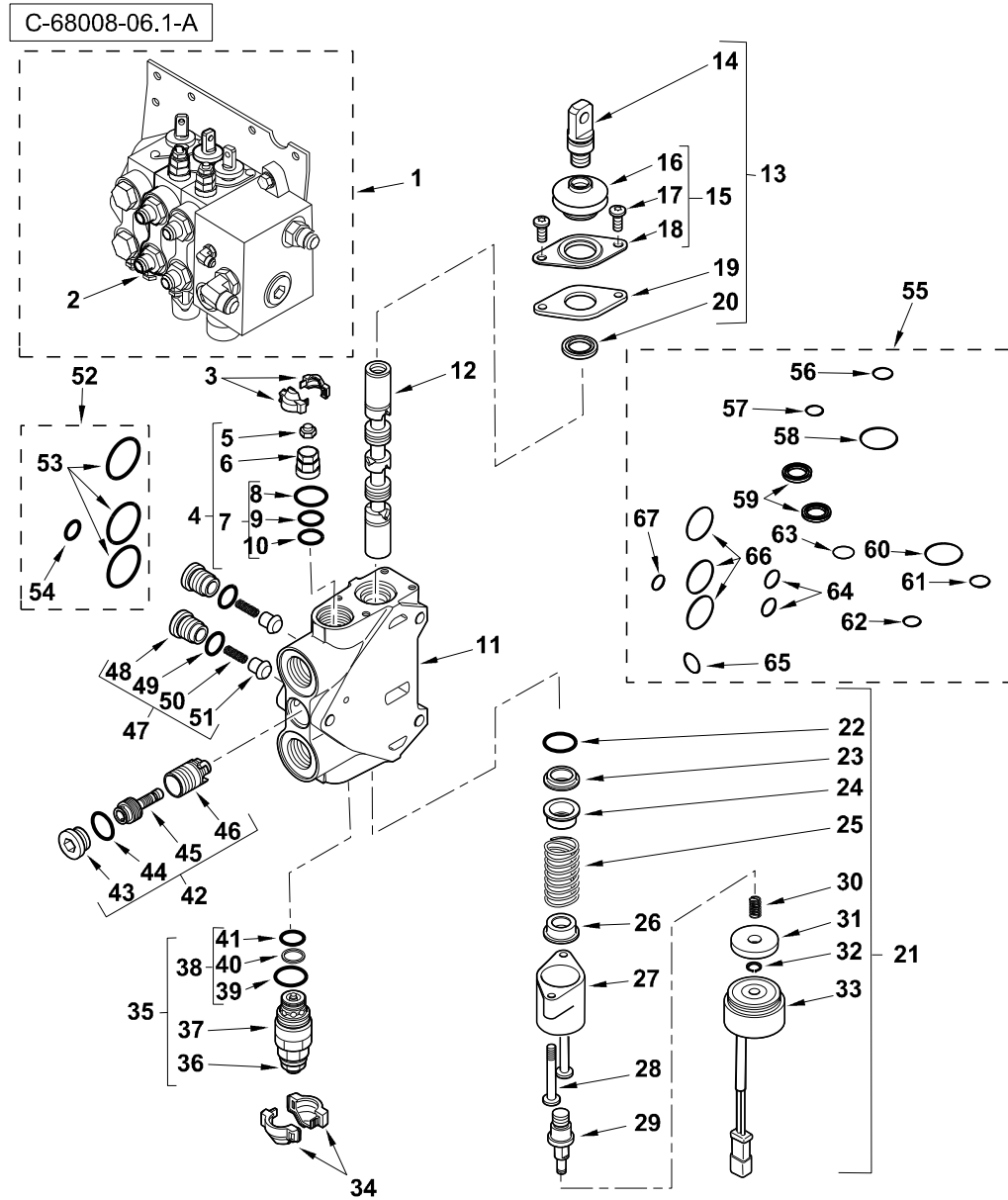
Item	Part No.	Qty.	English	French	German	Spanish	Remarks
1	6109210M91	1	Valve - Loader 3 Spool Mechanical	Ensemble Distributio	Steverventilblock Kp	Distribuidor, Conj.	Continued
2	#VALVE	1	Valve	Soupape	Ventil	Válvula	
3	#COVER	0	Cover	Cover	Cover	Cover	Ref. 2
4	6193778M91	1	Pressure Relief Valve H Port A (240 Bar)	Valve Decharge	Druckbegrventil	Válvula De Seguridad	
5	#NUT	1	Nut	Ecrou	Mutter	Tuerca	Ref. 4
6	#VALVE	1	Valve	Soupape	Ventil	Válvula	Ref. 4
7	6193779M91	1	Seal Kit - Relief Valve	Jeu Étanchéité	Dichtringsatz	Juego De Juntas	
8	#O-RING	1	O-Ring	Joint Torique	O-Ring	Junta Tórica	Ref. 7
9	#O-RING	1	O-Ring	Joint Torique	O-Ring	Junta Tórica	Ref. 7
10	#O-RING	1	O-Ring	Joint Torique	O-Ring	Junta Tórica	Ref. 7
11	#BODY	1	Body	Body	Body	Body	Ref. 2
12	#SPOOL	1	Spool	Spool	Spool	Spool	Ref. 2
13	6193780M91	1	Kit - Mechanical Optd Z1	Lot De Pièces	Ersatzteilpaket	Juego De Piezas	
14	#SCREW	1	Screw	Vis	Schraube	Tornillo	Ref. 13
15	6193783M91	1	Bellows Kit	Lot De Pieces	Dichtung	Juego De Piezas	Ref. 13
16	#SEAL	1	Seal	Joint Étanchéité	Dichtring	Retén	Ref. 15
17	#SCREW	2	Screw	Vis	Schraube	Tornillo	Ref. 15
18	#COVER	1	Cover	Cover	Cover	Cover	Ref. 15
19	#PLATE	1	Plate	Plaque	Platte	Plato	Ref. 13
20	6194492M1	1	Lip Seal - Rexorth Ref: 8100160	Joint Étanchéité	Dichtring	Junta	
21	6193798M91	1	Electrical Detent Kit S2	Lot De Pièces	Ersatzteilpaket	Juego De Piezas	
22	#O-RING	1	O-Ring	Joint Torique	O-Ring	Junta Tórica	Ref. 21
23	6194492M1	1	Lip Seal - Rexorth Ref: 8100160	Joint Étanchéité	Dichtring	Junta	
24	#HOLDER	1	Holder	Holder	Holder	Holder	Ref. 21
25	#SPRING	1	Spring	Ressort	Feder	Muelle	Ref. 21
26	#HOLDER	1	Holder	Holder	Holder	Holder	Ref. 21
27	#CAP	1	Cap	Chapeau	Kappe	Tapa	Ref. 21
28	#BOLT	2	Bolt	Boulon	Schraubbolzen	Perno	Ref. 21
29	#SCREW	1	Screw	Vis	Schraube	Tornillo	Ref. 21
30	#SPRING	1	Spring	Ressort	Feder	Muelle	Ref. 21





Item	Part No.	Qty.	English	French	German	Spanish	Remarks
31	#WASHER	1	Washer	Rondelle	Unterlegscheibe	Arandela	Ref. 21
32	#O-RING	1	O-Ring	Joint Torique	O-Ring	Junta Tórica	Ref. 21
33	#HARNESS	1	Harness	Harness	Harness	Harness	Ref. 21
34	#COVER	0	Cover	Cover	Cover	Cover	Ref. 2
35	6193778M91	1	Pressure Relief Valve H Port A (240 Bar)	Valve Decharge	Druckbegrventil	Válvula De Seguridad	
36	#NUT	1	Nut	Ecrou	Mutter	Tuerca	Ref. 35
37	#VALVE	1	Valve	Soupape	Ventil	Válvula	Ref. 35
38	#KIT, PARTS	1	Kit, Parts	Kit, Parts	Kit, Parts	Kit, Parts	Ref. 35
39	#O-RING	1	O-Ring	Joint Torique	O-Ring	Junta Tórica	Ref. 37
40	#O-RING	1	O-Ring	Joint Torique	O-Ring	Junta Tórica	Ref. 37
41	#O-RING	1	O-Ring	Joint Torique	O-Ring	Junta Tórica	Ref. 37
42	6193774M91	1	Kit - Compensator	Ensemble De Soupape	Ventil Kpl.	Válvula, Conj.	
43	#PLUG	1	Plug	Plug	Plug	Plug	Ref. 42
44	#O-RING	1	O-Ring	Joint Torique	O-Ring	Junta Tórica	Ref. 42
45	#VALVE	1	Valve	Soupape	Ventil	Válvula	Ref. 42
46	#GUIDE	1	Guide	Guide	Guide	Guide	Ref. 42
47	6193775M91	2	Check Valve Kit	Clapet Anti-Retour	Rückschlagventil	Válvula De Parada	
48	#PLUG	1	Plug	Plug	Plug	Plug	Ref. 47
49	#O-RING	1	O-Ring	Joint Torique	O-Ring	Junta Tórica	Ref. 47
50	#SPRING	1	Spring	Ressort	Feder	Muelle	Ref. 47
51	#VALVE	1	Valve	Soupape	Ventil	Válvula	Ref. 47
52	6193771M91	0	Seal Interface Kit	Pochette De Joints	Dichsatz	Juego De Juntas	
53	#O-RING	3	O-Ring	Joint Torique	O-Ring	Junta Tórica	Ref. 52
54	#O-RING	1	O-Ring	Joint Torique	O-Ring	Junta Tórica	Ref. 52
55	6193781M91	0	Seal Kit Complete	Jeu Etancheite	Dichtringsatz	Juege De Juntas	
56	#O-RING	1	O-Ring	Joint Torique	O-Ring	Junta Tórica	18.77 X 1.78 Ref. 55
57	#O-RING	1	O-Ring	Joint Torique	O-Ring	Junta Tórica	15.6 X 1.78 Ref. 55
58	#O-RING	1	O-Ring	Joint Torique	O-Ring	Junta Tórica	36.3 X 1.78 Ref. 55
59	6194492M1	2	Lip Seal - Rexorth Ref: 8100160	Joint Étanchéité	Dichtring	Junta	
60	#O-RING	1	O-Ring	Joint Torique	O-Ring	Junta Tórica	36.3 X 1.78 Ref. 55

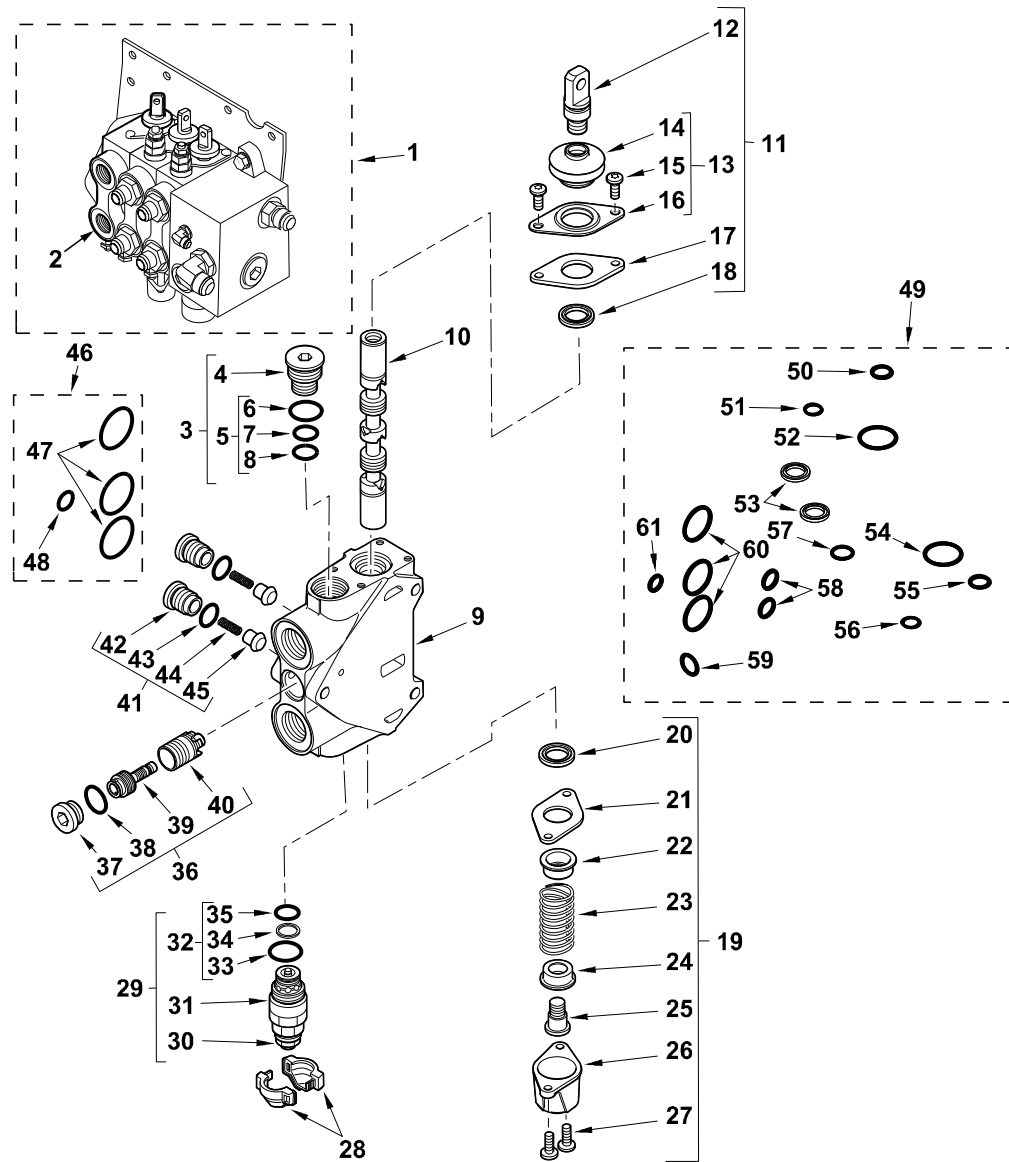




Item	Part No.	Qty.	English	French	German	Spanish	Remarks
61	#O-RING	1	O-Ring	Joint Torique	O-Ring	Junta Tórica	18.77 X 1.78 Ref. 55
62	#O-RING	1	O-Ring	Joint Torique	O-Ring	Junta Tórica	15.6 X 1.78 Ref. 55
63	#O-RING	1	O-Ring	Joint Torique	O-Ring	Junta Tórica	18 X 2.5 Ref. 55
64	#O-RING	2	O-Ring	Joint Torique	O-Ring	Junta Tórica	15 X 2 Ref. 55
65	#O-RING	1	O-Ring	Joint Torique	O-Ring	Junta Tórica	19.4 X 2.1 Ref. 55
66	#O-RING	3	O-Ring	Joint Torique	O-Ring	Junta Tórica	29.82 X 2.62 Ref. 55
67	#O-RING	1	O-Ring	Joint Torique	O-Ring	Junta Tórica	10.77 X 2.62 Ref. 55



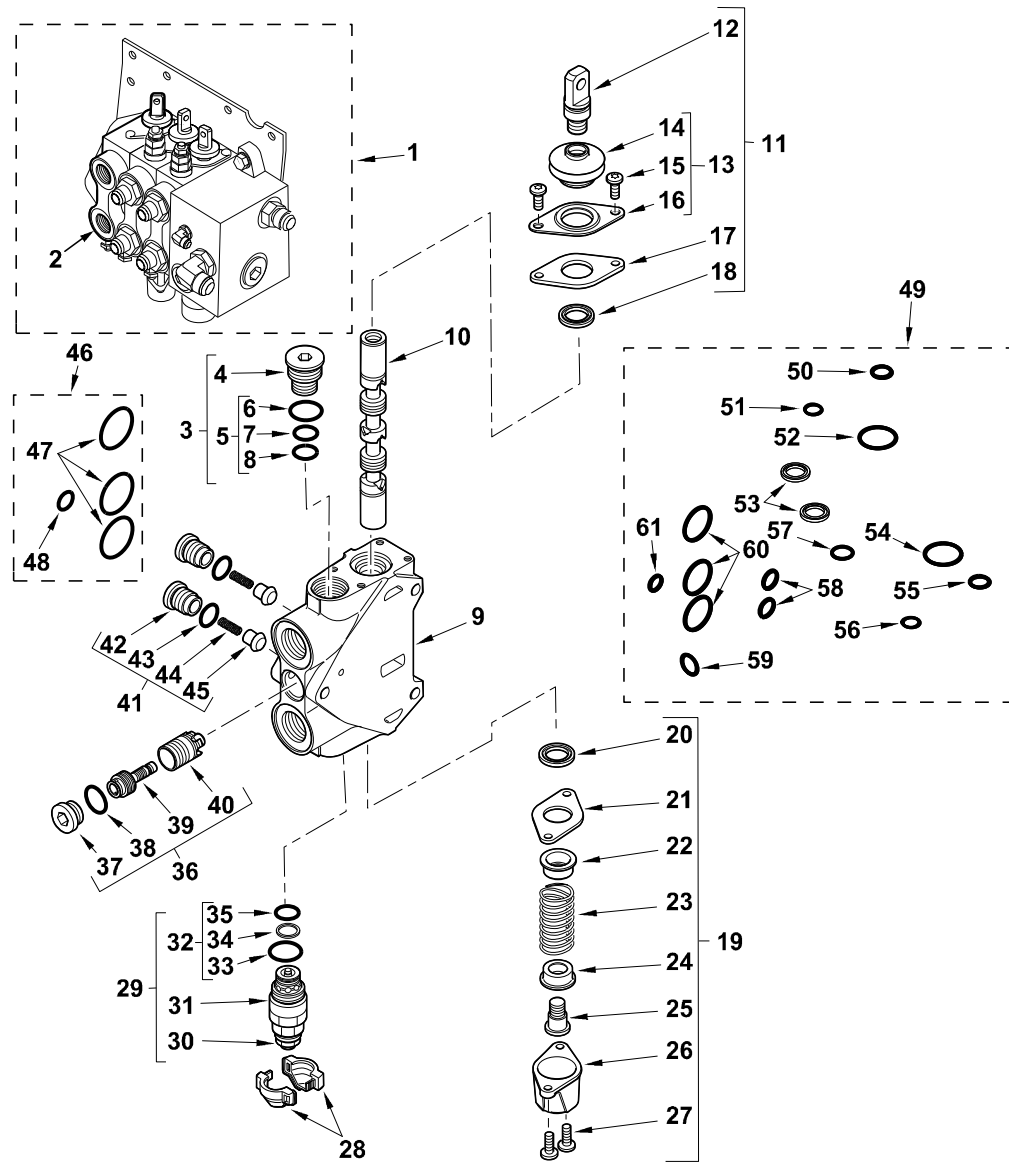
C-68008-07.1-A



Item	Part No.	Qty.	English	French	German	Spanish	Remarks
1	6109210M91	1	Valve - Loader 3 Spool Mechanical	Ensemble Distributio	Steverventilblock Kp	Distribuidor, Conj.	Continued
2	#VALVE	1	Valve	Soupape	Ventil	Válvula	
3	6193785M91	1	Plug Q - Port B	Bouchon	Stopfen	Tapón, Conj.	
4	#PLUG	1	Plug	Plug	Plug	Plug	Ref. 3
5	6193779M91	1	Seal Kit - Relief Valve	Jeu Étanchéité	Dichtringsatz	Juego De Juntas	
6	#O-RING	1	O-Ring	Joint Torique	O-Ring	Junta Tórica	Ref. 5
7	#O-RING	1	O-Ring	Joint Torique	O-Ring	Junta Tórica	Ref. 5
8	#O-RING	1	O-Ring	Joint Torique	O-Ring	Junta Tórica	Ref. 5
9	#BODY	1	Body	Body	Body	Body	Ref. 2
10	#SPOOL	1	Spool	Spool	Spool	Spool	Ref. 2
11	6193780M91	1	Kit - Mechanical Optd Z1	Lot De Pièces	Ersatzteilpaket	Juego De Piezas	
12	#SCREW	1	Screw	Vis	Schraube	Tornillo	Ref. 11
13	6193783M91	1	Bellows Kit	Lot De Pieces	Dichtung	Juego De Piezas	Ref. 11
14	#SEAL	1	Seal	Joint Étanchéité	Dichtring	Retén	Ref. 13
15	#SCREW	2	Screw	Vis	Schraube	Tornillo	Ref. 13
16	#COVER	1	Cover	Cover	Cover	Cover	Ref. 13
17	#PLATE	1	Plate	Plaque	Platte	Plato	Ref. 11
18	6194492M1	1	Lip Seal - Rexorth Ref: 8100160	Joint Étanchéité	Dichtring	Junta	
19	6193784M91	1	Mechanical Optd Kit	Lot De Pièces	Ersatzteilpaket	Juego De Piezas	
20	6194492M1	1	Lip Seal - Rexorth Ref: 8100160	Joint Étanchéité	Dichtring	Junta	
21	#PLATE	1	Plate	Plaque	Platte	Plato	Ref. 21
22	#HOLDER	1	Holder	Holder	Holder	Holder	Ref. 21
23	#SPRING	1	Spring	Ressort	Feder	Muelle	Ref. 21
24	#HOLDER	1	Holder	Holder	Holder	Holder	Ref. 21
25	#SCREW	1	Screw	Vis	Schraube	Tornillo	Ref. 21
26	#CAP	1	Cap	Chapeau	Kappe	Tapa	Ref. 21
27	#BOLT	2	Bolt	Boulon	Schraubbolzen	Perno	Ref. 21
28	#COVER	0	Cover	Cover	Cover	Cover	Ref. 2
29	6193778M91	1	Pressure Relief Valve H Port A (240 Bar)	Valve Decharge	Druckbegrventil	Válvula De Seguridad	
30	#NUT	1	Nut	Ecrou	Mutter	Tuerca	Ref. 29



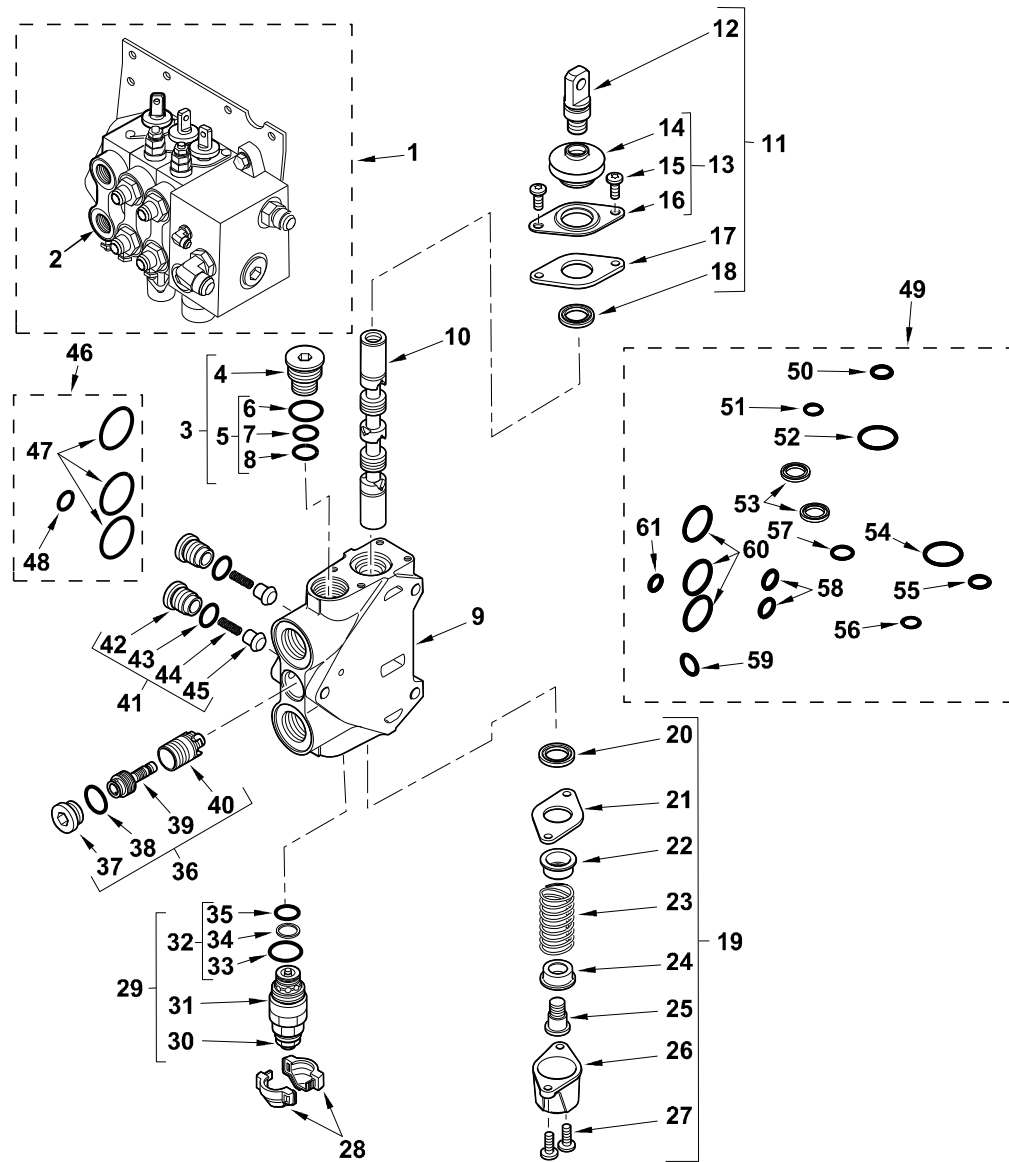
C-68008-07.1-A



Item	Part No.	Qty.	English	French	German	Spanish	Remarks
31	#VALVE	1	Valve	Soupape	Ventil	Válvula	Ref. 29
32	6193779M91	1	Seal Kit - Relief Valve	Jeu Étanchéité	Dichtringsatz	Juego De Juntas	Ref. 29
33	#O-RING	1	O-Ring	Joint Torique	O-Ring	Junta Tórica	Ref. 32
34	#O-RING	1	O-Ring	Joint Torique	O-Ring	Junta Tórica	Ref. 32
35	#O-RING	1	O-Ring	Joint Torique	O-Ring	Junta Tórica	Ref. 32
36	6193774M91	1	Kit - Compensator	Ensemble De Soupape	Ventil Kpl.	Válvula, Conj.	
37	#PLUG	1	Plug	Plug	Plug	Plug	Ref. 36
38	#O-RING	1	O-Ring	Joint Torique	O-Ring	Junta Tórica	Ref. 36
39	#VALVE	1	Valve	Soupape	Ventil	Válvula	Ref. 36
40	#GUIDE	1	Guide	Guide	Guide	Guide	Ref. 36
41	6193775M91	2	Check Valve Kit	Clapet Anti-Retour	Rückschlagventil	Válvula De Parada	
42	#PLUG	1	Plug	Plug	Plug	Plug	Ref. 41
43	#O-RING	1	O-Ring	Joint Torique	O-Ring	Junta Tórica	Ref. 41
44	#SPRING	1	Spring	Ressort	Feder	Muelle	Ref. 41
45	#VALVE	1	Valve	Soupape	Ventil	Válvula	Ref. 41
46	6193771M91	0	Seal Interface Kit	Pochette De Joints	Dichtsatz	Juego De Juntas	
47	#O-RING	3	O-Ring	Joint Torique	O-Ring	Junta Tórica	Ref. 46
48	#O-RING	1	O-Ring	Joint Torique	O-Ring	Junta Tórica	Ref. 46
49	6193781M91	0	Seal Kit Complete	Jeu Etancheite	Dichtringsatz	Juege De Juntas	
50	#O-RING	1	O-Ring	Joint Torique	O-Ring	Junta Tórica	18.77 X 1.78 Ref. 49
51	#O-RING	1	O-Ring	Joint Torique	O-Ring	Junta Tórica	15.6 X 1.78 Ref. 49
52	#O-RING	1	O-Ring	Joint Torique	O-Ring	Junta Tórica	36.3 X 1.78 Ref. 49
53	6194492M1	2	Lip Seal - Rexorth Ref: 8100160	Joint Étanchéité	Dichtring	Junta	
54	#O-RING	1	O-Ring	Joint Torique	O-Ring	Junta Tórica	36.3 X 1.78 Ref. 49
55	#O-RING	1	O-Ring	Joint Torique	O-Ring	Junta Tórica	18.77 X 1.78 Ref. 49
56	#O-RING	1	O-Ring	Joint Torique	O-Ring	Junta Tórica	15.6 X 1.78 Ref. 49
57	#O-RING	1	O-Ring	Joint Torique	O-Ring	Junta Tórica	18 X 2.5 Ref. 49
58	#O-RING	2	O-Ring	Joint Torique	O-Ring	Junta Tórica	15 X 2 Ref. 49
59	#O-RING	1	O-Ring	Joint Torique	O-Ring	Junta Tórica	19.4 X 2.1 Ref. 49
60	#O-RING	3	O-Ring	Joint Torique	O-Ring	Junta Tórica	29.82 X 2.62 Ref. 49

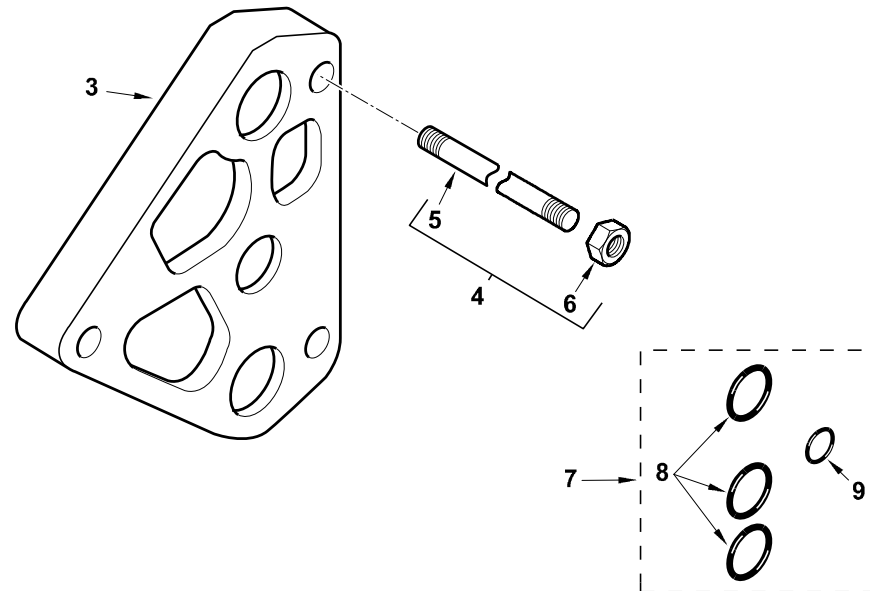
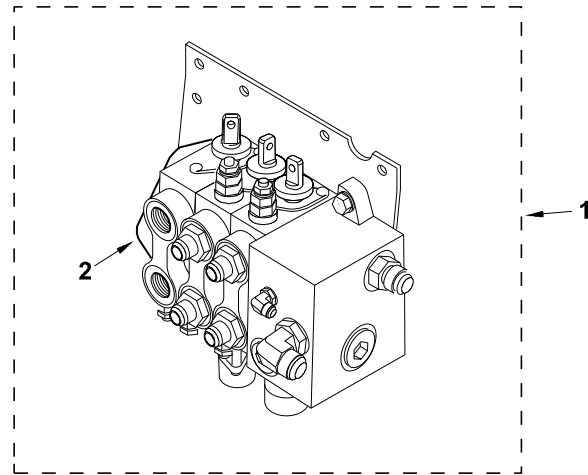


C-68008-07.1-A



Item	Part No.	Qty.	English	French	German	Spanish	Remarks
61	#O-RING	1	O-Ring	Joint Torique	O-Ring	Junta Tórica	10.77 X 2.62 Ref. 49

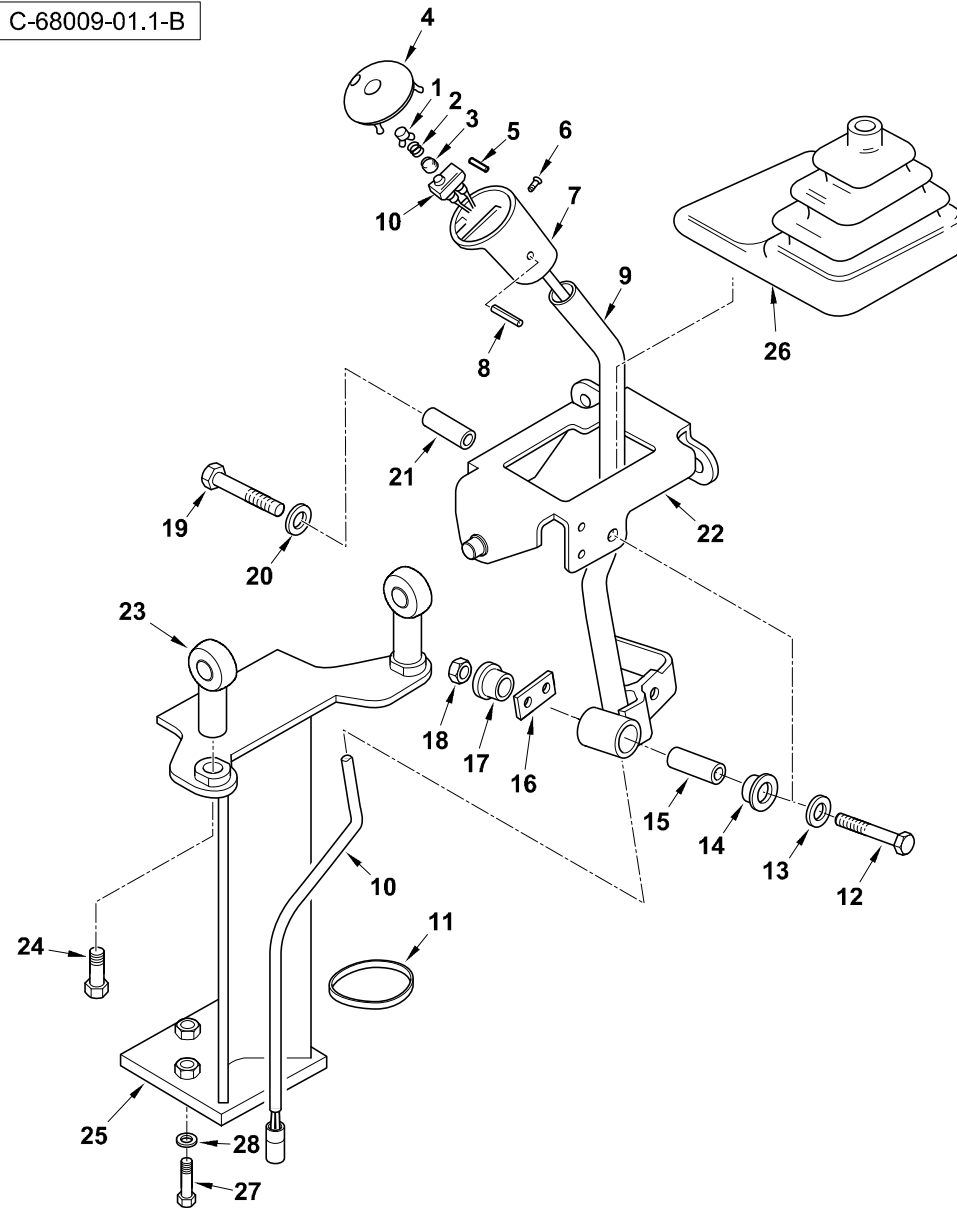
C-68008-08.1-A



Item	Part No.	Qty.	English	French	German	Spanish	Remarks
1	6109210M91	1	Valve - Loader 3 Spool Mechanical	Ensemble Distributio	Steverventilblock Kp	Distribuidor, Conj.	
2	#VALVE	1	Valve	Soupape	Ventil	Válvula	
3	#COVER	1	Cover	Cover	Cover	Cover	Ref. 2
4	#TIE ROD ASSY	3	Rod Assy	Rod Assy	Rod Assy	Rod Assy	Ref. 2
5	#ROD	1	Rod	Rod	Rod	Rod	Ref. 4
6	#NUT	1	Nut	Ecrou	Mutter	Tuerca	Ref. 4
7	6193771M91	0	Seal Interface Kit	Pochette De Joints	Dichtsatz	Juego De Juntas	
8	#O-RING	3	O-Ring	Joint Torique	O-Ring	Junta Tórica	Ref. 7
9	#O-RING	1	O-Ring	Joint Torique	O-Ring	Junta Tórica	Ref. 7



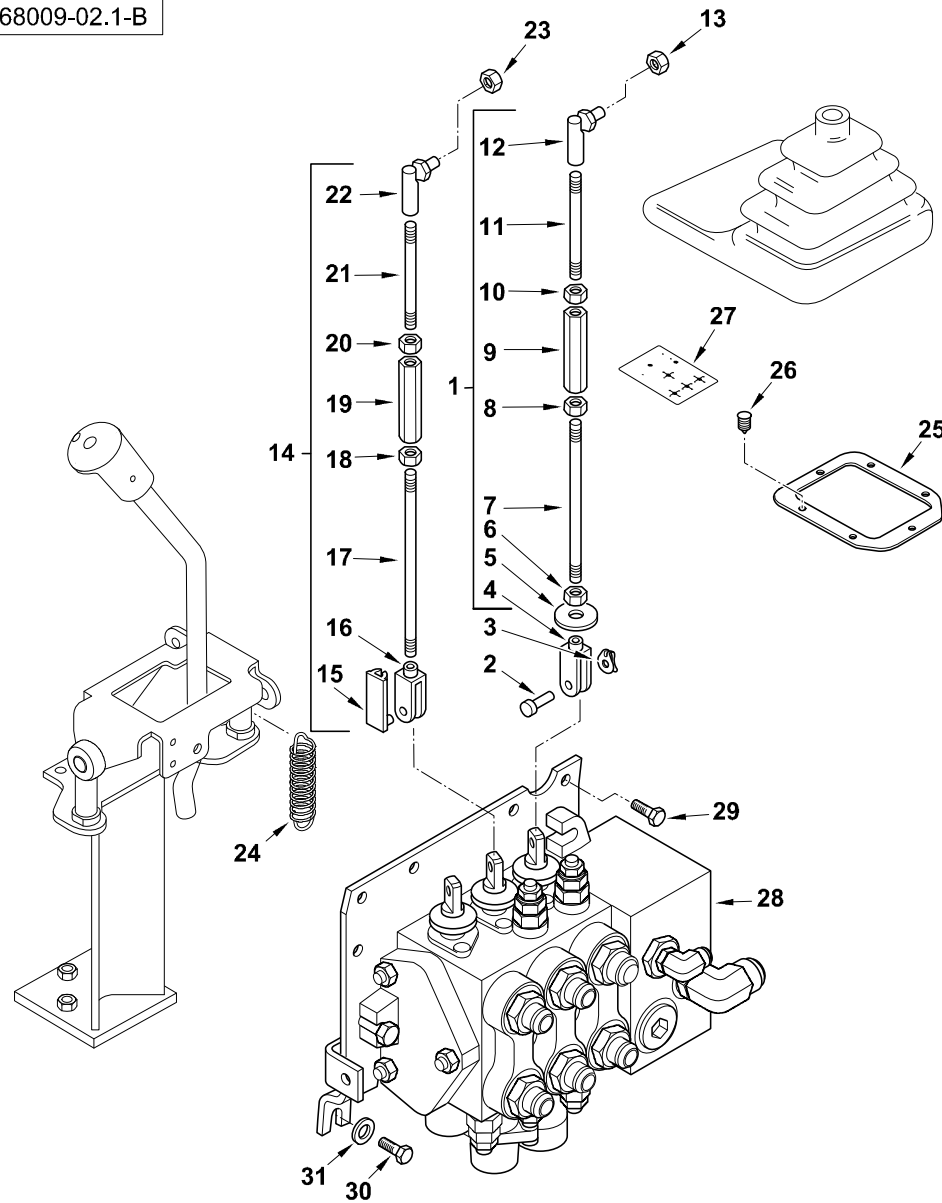
C-68009-01.1-B



Item	Part No.	Qty.	English	French	German	Spanish	Remarks
1	3521894M4	2	Button Ldr Cntls	Bouton	Knopf	Botón	
2	3520328M3	2	Spring	Siege De Ressort	Feder	Muelle	
3	3522894M1	2	Boot Control Knob	Coffre	Schutzkappe	Fuelle	
4	3522285M5	1	Knob Top Ldr Cntl	Boule	Knauf	Bola	
5	3522507M3	4	Pin Parallel	Goupille D´Arrêt	Sicherungsstift	Pasador	
6	3516886M1	2	Screw C/Sk 1/4 Lng	Vis	Schraube	Tornillo	
7	3522621M5	1	Base Control Knob	Poignée De Levier	Griff	Empuñ. Palanca	
8	3019531X1	1	Pin - Roll	Goupille Elastique	Spannhulse	Pasador Elástico	
9	6109383M91	1	Lever - Loader Control W/Assy	Levier	Hebel	Palanca, Conj.	
10	3516043M94	1	Switch And Harness - Ldr. Cont. Lever	Interrupteur	Beschirrung	Haz	
11	1664405M1	1	Tie Mm T50s	Attache Cable	Kabelbinder	Enlace De Cable	
12	339159X1	1	Bolt M8-65	Boulon	Bolzen	Tornillo	
13	6108769M1	1	Washer-M8 Nord-Lock	Rondelle De Blocage	Federring M8	Arandela De Freno	
14	6106560M1	1	Bush	Douille	Buechse	Anillo	
15	6106561M3	1	Spacer-Loader Controls	Entretoise	Abstandstueck	Traviesa	
16	6106562M1	1	Plate-L/Cont. Tie Bar	Barre	Stab	Placa	
17	6106560M1	1	Bush	Douille	Buechse	Anillo	
18	394367X1	1	Nut, Hex. - Nyloc, M8	Ecrou Blocage M8	Flachmutter - M8	Tuerca De Retención	
19	339291X1	1	Bolt M8-55 Z5s	Goupille	Bolzen M8 X 55	Tornillo	
20	6108769M1	1	Washer-M8 Nord-Lock	Rondelle De Blocage	Federring M8	Arandela De Freno	
21	6106561M3	1	Spacer-Loader Controls	Entretoise	Abstandstueck	Traviesa	
22	6109381M91	1	Cradle - Rexroth Valve W/Assy	Berceau	Fahrschemel	Soporte	
23	6102844M1	2	Rodend-M12 Spherical	Support De Fixation	Kugelkopf, Plastik	Soporte De Fijación	
24	3009505X1	2	Hex. Bolt, M12 X 25 - Coarse	Boulon	Bolzen M12 X 25	Perno	
25	6109802M91	1	Loader Control Column Assy	Ensemble De Support	Haltevorrichtung	Apoyadero, Conj.	
26	6109927M1	1	Gaiter (Black) - Loader Lever	Souf•et	Manschette	Fuelle	
27	339009X1	3	Bolt - M8 X 35	Boulon M8 X 35	Maschschraube M8	Tornillo	
28	339374X1	3	Washer M8 -21-2 Z	Rondelle Frein - M8	Federring - M8	Arandela De Freno	



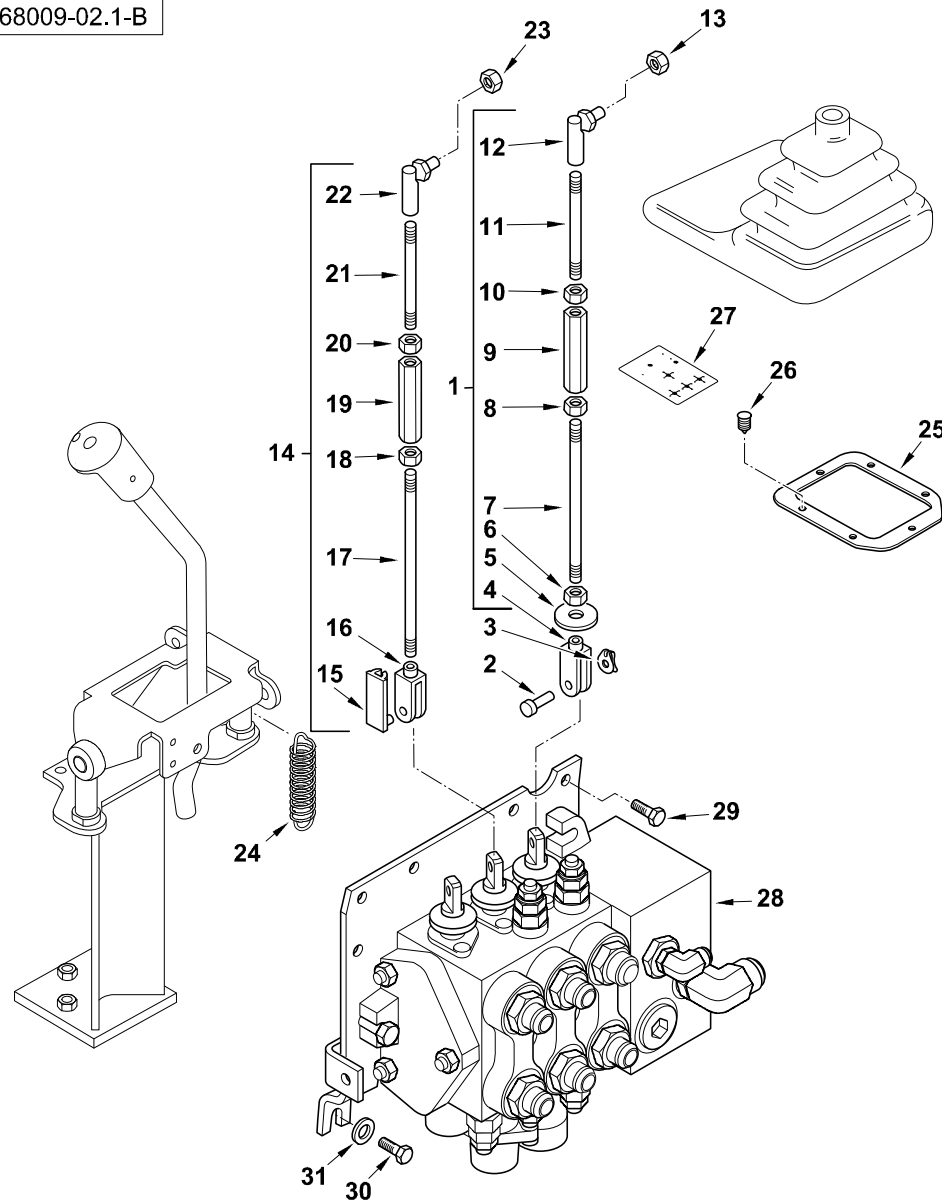
C-68009-02.1-B



Item	Part No.	Qty.	English	French	German	Spanish	Remarks
1	6102738M93	1	Rod Assy. - Loader Control	Ensemble Tringlerie	Gestänge	Tirantes, Conj.	
2	6102816M1	1	Pin-Clevis	Axe De Chape	Gabelstift	Eje De Brida	
3	3516322M1	1	Clip, Spring - No.8	Clip	Klips	Clip	
4	3519590M1	1	Clevis LH Thread	Chape	Gabelverbindung	Brida	
5	3518878M3	1	Washer	Rondelle	Scheibe	Arandela	
6	3519650M1	1	Nut, Hex - M8, L/H Thread	Ecrou	Mutter	Tuerca	
7	#ROD	1	Rod	Rod	Rod	Rod	
8	339169X1	1	Nut, Hex. - M8, Coarse	Ecrou Métrique	Mutter Metrisch	Tuerca	
9	6102733M1	1	Turnbuckle M8	Tendeur De Tringle	Spannschloss	Torniquete	
10	3519650M1	1	Nut, Hex - M8, L/H Thread	Ecrou	Mutter	Tuerca	
11	#ROD	1	Rod	Rod	Rod	Rod	
12	3519589M1	1	Ball-Joint	Rotule	Kugelgelenk	Rotula	
13	394367X1	1	Nut, Hex. - Nyloc, M8	Ecrou Blocage M8	Flachmutter - M8	Tuerca De Retención	
14	6102737M92	1	Rod Assy. - Loader Control	Tringle	Stange	Tirantes, Conj.	
15	3520666M1	1	Pin W/ Spring Clip	Axe De Chape	Gabelstift	Eje De Brida	
16	3519590M1	1	Clevis LH Thread	Chape	Gabelverbindung	Brida	
17	#ROD	1	Rod	Rod	Rod	Rod	Ref. 14
18	339169X1	1	Nut, Hex. - M8, Coarse	Ecrou Métrique	Mutter Metrisch	Tuerca	
19	6102733M1	1	Turnbuckle M8	Tendeur De Tringle	Spannschloss	Torniquete	
20	3519650M1	1	Nut, Hex - M8, L/H Thread	Ecrou	Mutter	Tuerca	
21	#ROD	1	Rod	Rod	Rod	Rod	Ref. 14
22	3519589M1	1	Ball-Joint	Rotule	Kugelgelenk	Rotula	
23	394367X1	1	Nut, Hex. - Nyloc, M8	Ecrou Blocage M8	Flachmutter - M8	Tuerca De Retención	
24	6109761M1	1	Spring-Ldr Control	Siège De Ressort	Federsitz	Muelle	
25	3516856M3	1	Plate, Gaiter - Loader Controls	Plaque	Platte	Placa	
26	3521303M3	6	Fastener, Plastic - Gear Lever Gaiter	Agrafe	Halteklammer	Enganche	
27	6101873M1	1	Decal-Ldr Controls Std	Adhésif	Aufkleber	Adhesivo	
28	6109325M91	1	Valve Assembly - Loader Rexroth	Ensemble Distributio	Steuerventilblock Kp	Distribuidor, Conj.	[68009c03.1 1]
29	3009492X1	2	Bolt - Hex. M10 X 25	Boulon M10 X 25	Schraube M10 X 25	Tornillo	
30	3009492X1	1	Bolt - Hex. M10 X 25	Boulon M10 X 25	Schraube M10 X 25	Tornillo	



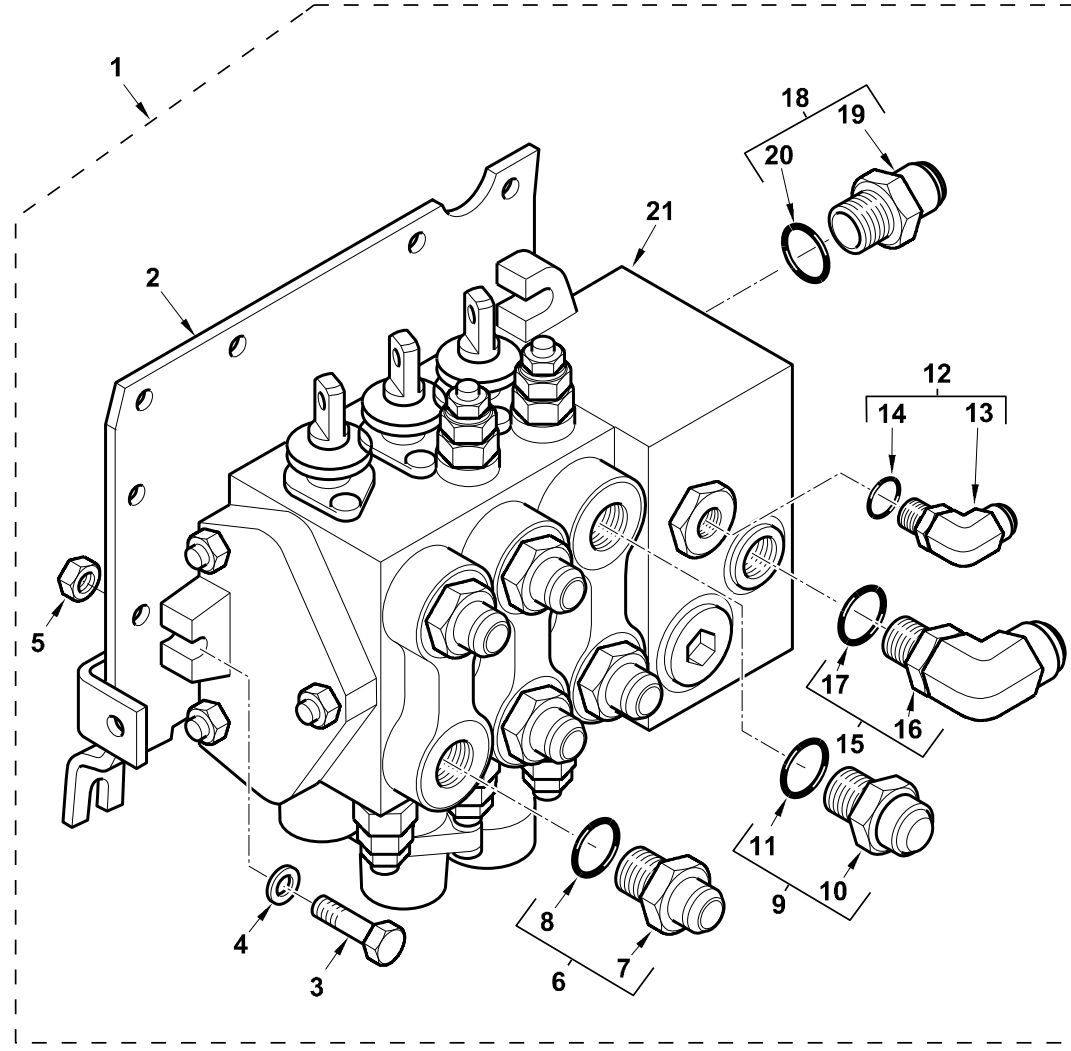
C-68009-02.1-B



Item	Part No.	Qty.	English	French	German	Spanish	Remarks
31	385362X1	1	Washer, Hardened - M10	Rondelle - M10	Unterlegscheibe M10	Arandela	



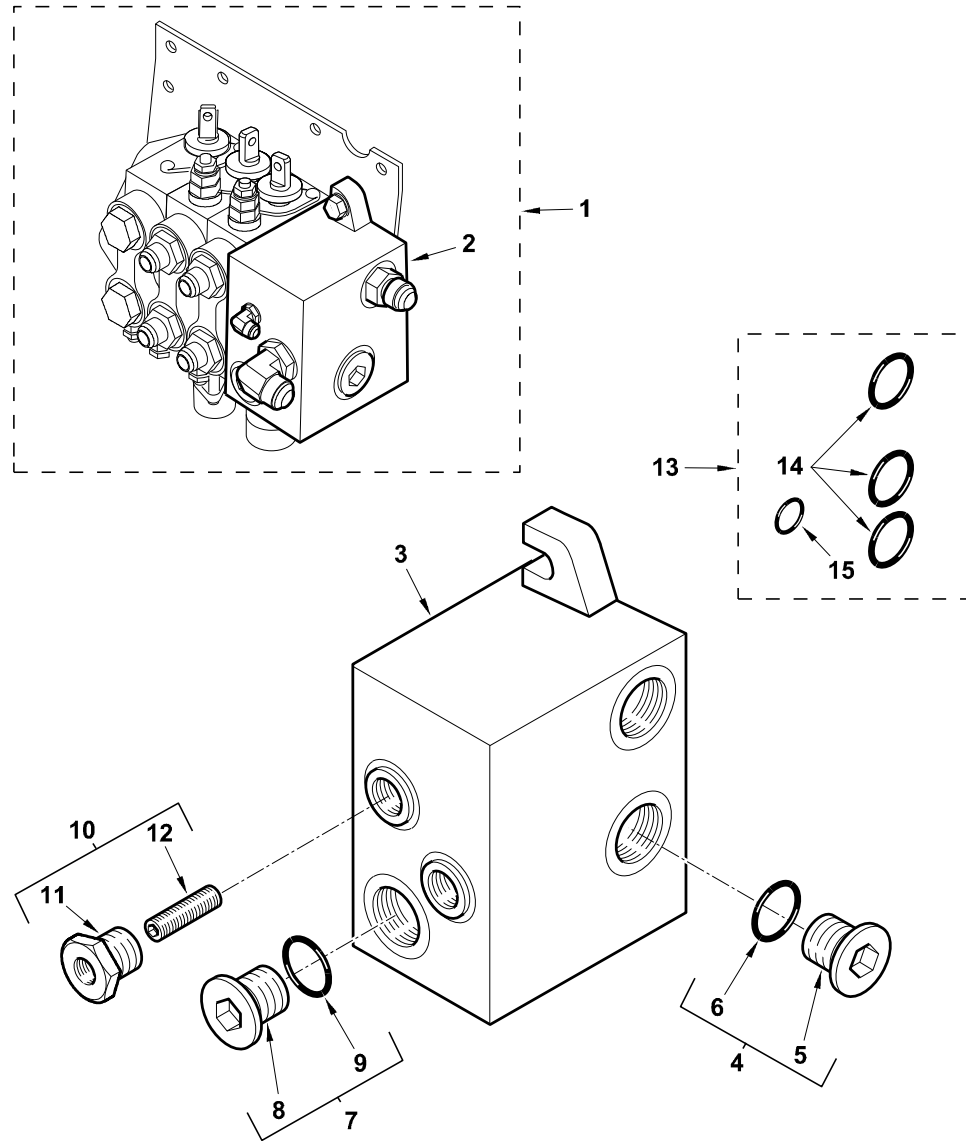
C-68009-03.1-A



Item	Part No.	Qty.	English	French	German	Spanish	Remarks
1	6109325M91	1	Valve Assembly - Loader Rexroth	Ensemble Distributio	Steuerventilblock Kp	Distribuidor, Conj.	
2	6109370M91	1	Plate - Rexroth Loader Valve W/Assy	Plaque	Platte	Placa, Conj.	
3	3009496X1	3	Bolt Hex - M10 X 45 (Coarse)	Boulon M10 X 45	Maschschraube - M10	Tornillo	
4	385362X1	3	Washer, Hardened - M10	Rondelle - M10	Unterlegscheibe M10	Arandela	
5	1440329X1	3	Nut, Hex. - Nyloc, M10	Ecrou Blocage	Flachmutter M10	Tuerca De Retención	
6	365715X91	5	Connector, Hydr.-Straight, 1 1/16 X 7/8	Borne	Doppelnippel	Conexión, Conj.	
7	#CONNECTOR	1	Connector	Connector	Connector	Connector	Ref. 6
8	835025M1	1	Ring O	Joint Torique	O Ring	Junta De Tipo O	
9	835057M91	1	Connector B1510m-12-12	Raccord	Schraubanschluss	Conexión, Conj.	
10	#CONNECTOR	1	Connector	Connector	Connector	Connector	Ref. 9
11	835025M1	1	Ring O	Joint Torique	O Ring	Junta De Tipo O	
12	357197X91	1	Elbow & O Ring	Coude	Kniestück, 90°	Codo, 90°	
13	#ELBOW	1	Elbow	Elbow	Elbow	Elbow	Ref. 12
14	831452M1	1	O Ring (Pack Of 10)	Joint Torique	O Ring	Junta De Tipo O	
15	358764X91	1	Elbow 90 Deg	Coude 90°	Kniestück, 90°	Codo, 90°	
16	#ELBOW	1	Elbow	Elbow	Elbow	Elbow	Ref. 15
17	835025M1	1	Ring O	Joint Torique	O Ring	Junta De Tipo O	
18	835014M91	1	Connector - 1 5/16" To 1 5/16"	Borne	Doppelnippel	Unión	
19	#CONNECTOR	1	Connector	Connector	Connector	Connector	Ref. 18
20	835026M1	1	O-Ring	Joint Torique	O-Ring	Junta De Tipo O	
21	6109210M91	1	Valve - Loader 3 Spool Mechanical	Ensemble Distributio	Steuerventilblock Kp	Distribuidor, Conj.	[68009c04.1 1]

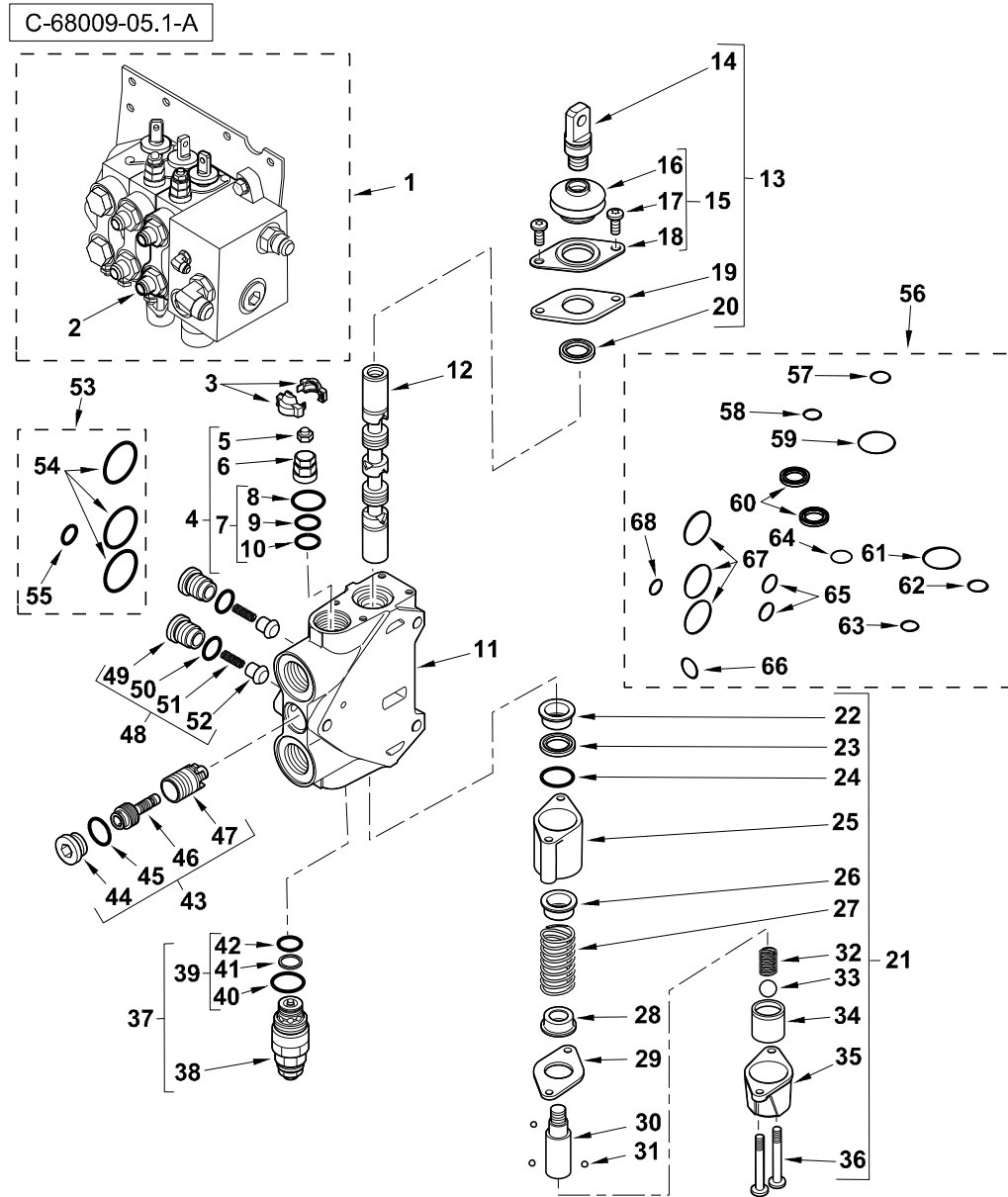


C-68009-04.1-A



Item	Part No.	Qty.	English	French	German	Spanish	Remarks
1	6109210M91	1	Valve - Loader 3 Spool Mechanical	Ensemble Distributio	Steverventilblock Kp	Distribuidor, Conj.	
2	#VALVE	1	Valve	Soupape	Ventil	Válvula	Inlet
3	#BODY	1	Body	Body	Body	Body	
4	6193773M91	1	Plug For P 1.1/16 Unf	Bouchon	Stopfen	Tapón, Conj.	
5	#PLUG	1	Plug	Plug	Plug	Plug	Ref. 4
6	#O-RING	1	O-Ring	Joint Torique	O-Ring	Junta Tórica	Ref. 4
7	6193772M91	1	Plug Fot T Port 5/16 Unf	Bouchon	Stopfen	Tapón, Conj.	
8	#PLUG	1	Plug	Plug	Plug	Plug	Ref. 7
9	#O-RING	1	O-Ring	Joint Torique	O-Ring	Junta Tórica	Ref. 7
10	6193770M91	1	Closed Centre Kit	Ensemble De Soupape	Ventil Kpl.	Válvula, Conj.	
11	#VALVE	1	Valve	Soupape	Ventil	Válvula	Ref. 10
12	#SPRING	1	Spring	Ressort	Feder	Muelle	Ref. 10
13	6193771M91	0	Seal Interface Kit	Pochette De Joints	Dichtsatz	Juego De Juntas	
14	#O-RING	3	O-Ring	Joint Torique	O-Ring	Junta Tórica	Ref. 13
15	#O-RING	1	O-Ring	Joint Torique	O-Ring	Junta Tórica	Ref. 13



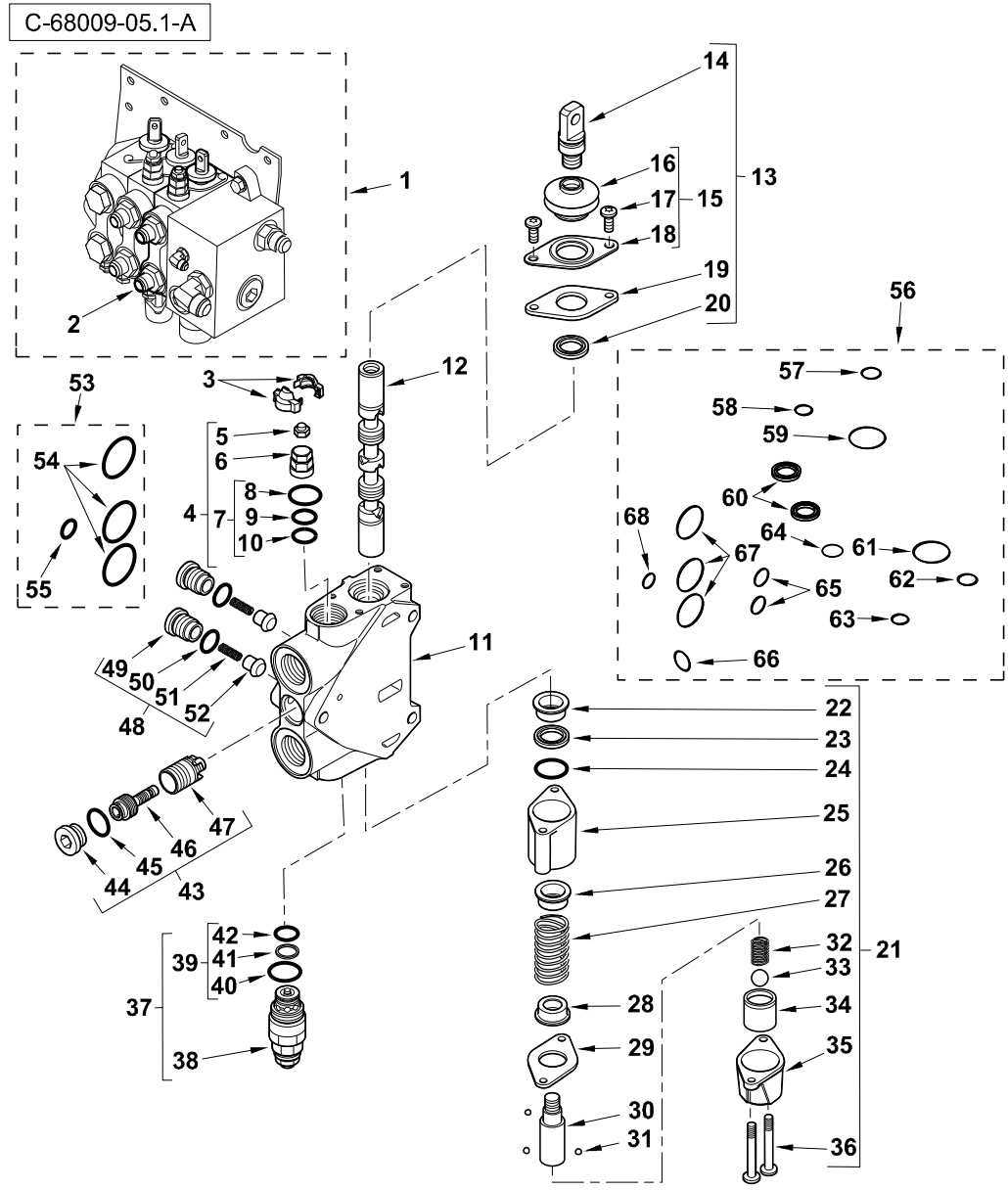


Item	Part No.	Qty.	English	French	German	Spanish	Remarks
1	6109210M91	1	Valve - Loader 3 Spool Mechanical	Ensemble Distributio	Steverventilblock Kp	Distribuidor, Conj.	Continued
2	#VALVE	1	Valve	Soupape	Ventil	Válvula	
3	#COVER	0	Cover	Cover	Cover	Cover	Ref. 2
4	6193778M91	1	Pressure Relief Valve H Port A (240 Bar)	Valve Decharge	Druckbegrventil	Válvula De Seguridad	
5	#NUT	1	Nut	Ecrou	Mutter	Tuerca	Ref. 4
6	#VALVE	1	Valve	Soupape	Ventil	Válvula	Ref. 4
7	6193779M91	1	Seal Kit - Relief Valve	Jeu Étanchéité	Dichtringsatz	Juego De Juntas	
8	#O-RING	1	O-Ring	Joint Torique	O-Ring	Junta Tórica	Ref. 7
9	#O-RING	1	O-Ring	Joint Torique	O-Ring	Junta Tórica	Ref. 7
10	#O-RING	1	O-Ring	Joint Torique	O-Ring	Junta Tórica	Ref. 7
11	#BODY	1	Body	Body	Body	Body	Ref. 2
12	#SPOOL	1	Spool	Spool	Spool	Spool	Ref. 2
13	6193780M91	1	Kit - Mechanical Optd Z1	Lot De Pièces	Ersatzteilpaket	Juego De Piezas	
14	#SCREW	1	Screw	Vis	Schraube	Tornillo	Ref. 13
15	6193783M91	1	Bellows Kit	Lot De Pieces	Dichtung	Juego De Piezas	
16	#SEAL	1	Seal	Joint Étanchéité	Dichtring	Retén	Ref. 15
17	#SCREW	2	Screw	Vis	Schraube	Tornillo	Ref. 15
18	#COVER	1	Cover	Cover	Cover	Cover	Ref. 15
19	#PLATE	1	Plate	Plaque	Platte	Plato	Ref. 13
20	6194492M1	1	Lip Seal - Rexorth Ref: 8100160	Joint Étanchéité	Dichtring	Junta	
21	6193797M91	1	Mechanical Optd Kit E2	Lot De Pièces	Ersatzteilpaket	Juego De Piezas	
22	#GUIDE	1	Guide	Guide	Guide	Guide	Ref. 21
23	6194492M1	1	Lip Seal - Rexorth Ref: 8100160	Joint Étanchéité	Dichtring	Junta	
24	#O-RING	1	O-Ring	Joint Torique	O-Ring	Junta Tórica	Ref. 21
25	#BODY	1	Body	Body	Body	Body	Ref. 21
26	#HOLDER	1	Holder	Holder	Holder	Holder	Ref. 21
27	#SPRING	1	Spring	Ressort	Feder	Muelle	Ref. 21
28	#HOLDER	1	Holder	Holder	Holder	Holder	Ref. 21
29	#PLATE	1	Plate	Plaque	Platte	Plato	Ref. 21
30	#VALVE	1	Valve	Soupape	Ventil	Válvula	Ref. 21



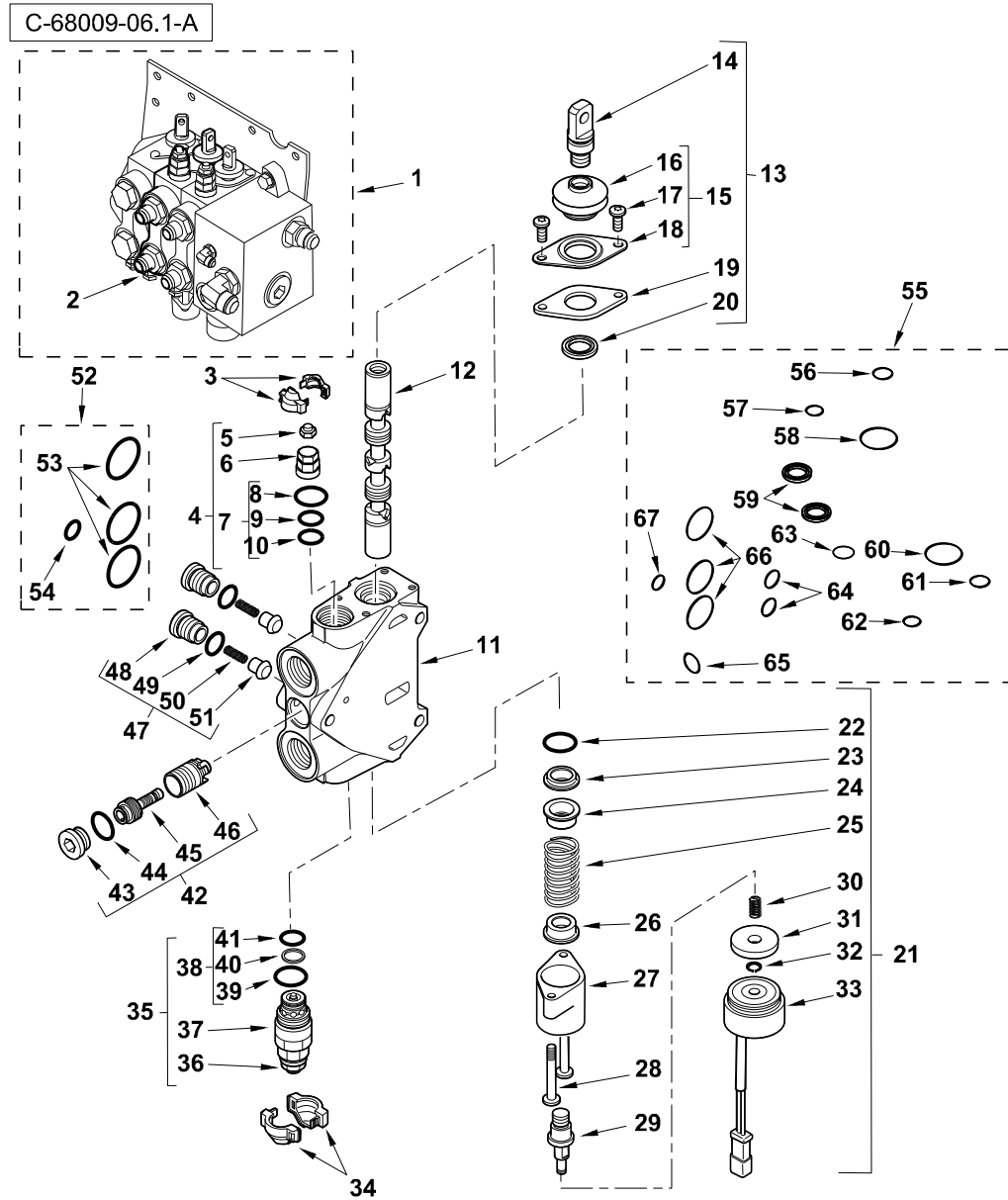
Item	Part No.	Qty.	English	French	German	Spanish	Remarks
31	#BALL	3	Ball	Ball	Ball	Ball	Ref. 21
32	#SPRING	1	Spring	Ressort	Feder	Muelle	Ref. 21
33	#BALL	1	Ball	Ball	Ball	Ball	Ref. 21
34	#GUIDE	1	Guide	Guide	Guide	Guide	Ref. 21
35	#CAP	1	Cap	Chapeau	Kappe	Tapa	Ref. 21
36	#BOLT	2	Bolt	Boulon	Schraubbolzen	Perno	Ref. 21
37	6193782M91	1	Anti-Cavitation Valve E Port B	Ensemble De Soupape	Ventil Kpl.	Válvula, Conj.	
38	#VALVE	1	Valve	Soupape	Ventil	Válvula	Ref. 37
39	#KIT, PARTS	1	Kit, Parts	Kit, Parts	Kit, Parts	Kit, Parts	Ref. 37
40	#O-RING	1	O-Ring	Joint Torique	O-Ring	Junta Tórica	Ref. 39
41	#O-RING	1	O-Ring	Joint Torique	O-Ring	Junta Tórica	Ref. 39
42	#O-RING	1	O-Ring	Joint Torique	O-Ring	Junta Tórica	Ref. 39
43	6193774M91	1	Kit - Compensator	Ensemble De Soupape	Ventil Kpl.	Válvula, Conj.	
44	#PLUG	1	Plug	Plug	Plug	Plug	Ref. 43
45	#O-RING	1	O-Ring	Joint Torique	O-Ring	Junta Tórica	Ref. 43
46	#VALVE	1	Valve	Soupape	Ventil	Válvula	Ref. 43
47	#GUIDE	1	Guide	Guide	Guide	Guide	Ref. 43
48	6193775M91	2	Check Valve Kit	Clapet Anti-Retour	Rückschlagventil	Válvula De Parada	
49	#PLUG	1	Plug	Plug	Plug	Plug	Ref. 48
50	#O-RING	1	O-Ring	Joint Torique	O-Ring	Junta Tórica	Ref. 48
51	#SPRING	1	Spring	Ressort	Feder	Muelle	Ref. 48
52	#VALVE	1	Valve	Soupape	Ventil	Válvula	Ref. 48
53	6193771M91	0	Seal Interface Kit	Pochette De Joints	Dichsatz	Juego De Juntas	
54	#O-RING	3	O-Ring	Joint Torique	O-Ring	Junta Tórica	Ref. 53
55	#O-RING	1	O-Ring	Joint Torique	O-Ring	Junta Tórica	Ref. 53
56	6193781M91	0	Seal Kit Complete	Jeu Etancheite	Dichtringsatz	Juege De Juntas	
57	#O-RING	1	O-Ring	Joint Torique	O-Ring	Junta Tórica	18.77 X 1.78 Ref. 56
58	#O-RING	1	O-Ring	Joint Torique	O-Ring	Junta Tórica	15.6 X 1.78 Ref. 56
59	#O-RING	1	O-Ring	Joint Torique	O-Ring	Junta Tórica	36.3 X 1.78 Ref. 56
60	6194492M1	2	Lip Seal - Rexorth Ref: 8100160	Joint Étanchéité	Dichtring	Junta	





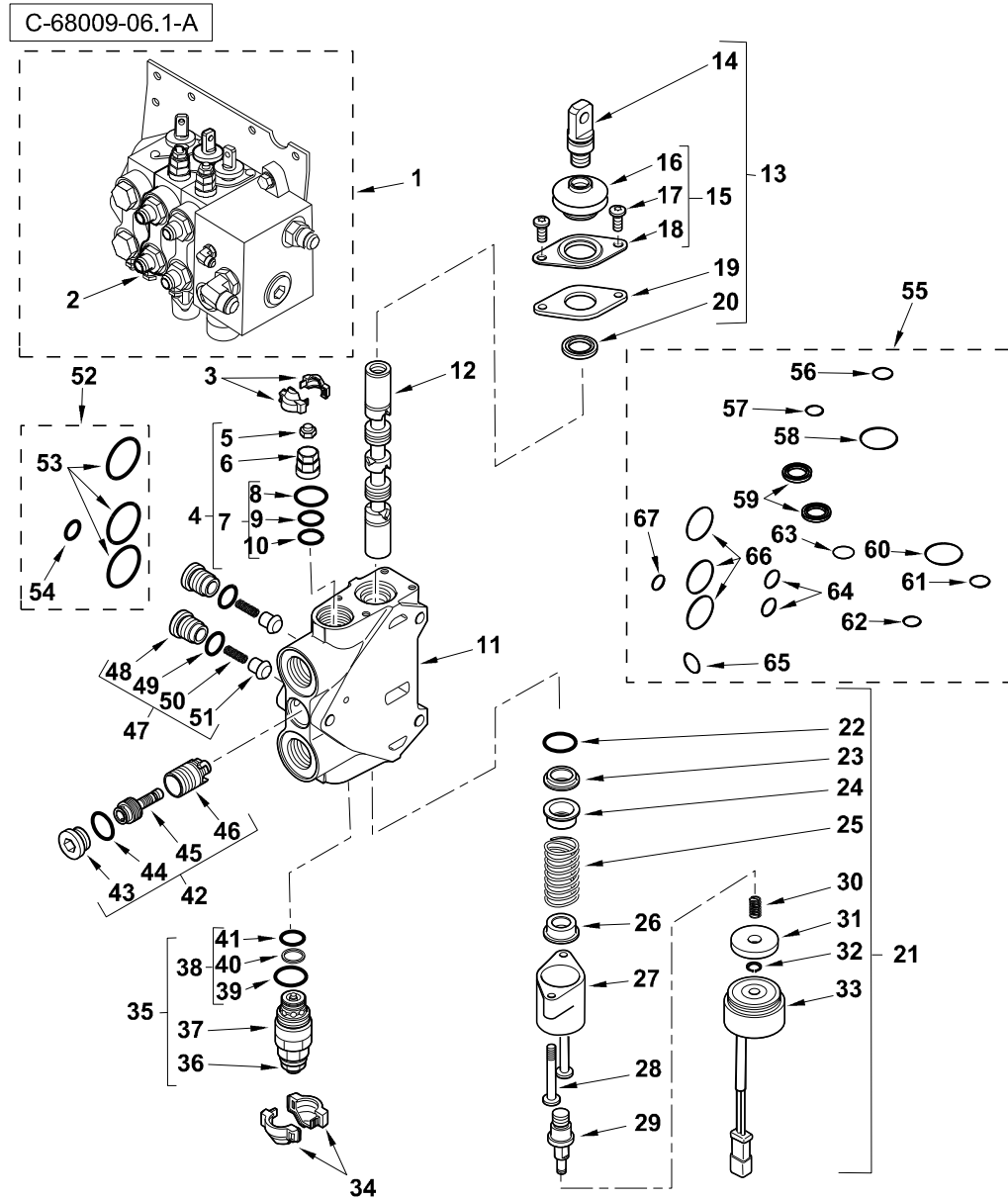
Item	Part No.	Qty.	English	French	German	Spanish	Remarks
61	#O-RING	1	O-Ring	Joint Torique	O-Ring	Junta Tórica	36.3 X 1.78 Ref. 56
62	#O-RING	1	O-Ring	Joint Torique	O-Ring	Junta Tórica	18.77 X 1.78 Ref. 56
63	#O-RING	1	O-Ring	Joint Torique	O-Ring	Junta Tórica	15.6 X 1.78 Ref. 56
64	#O-RING	1	O-Ring	Joint Torique	O-Ring	Junta Tórica	18 X 2.5 Ref. 56
65	#O-RING	2	O-Ring	Joint Torique	O-Ring	Junta Tórica	15 X 2 Ref. 56
66	#O-RING	1	O-Ring	Joint Torique	O-Ring	Junta Tórica	19.4 X 2.1 Ref. 56
67	#O-RING	3	O-Ring	Joint Torique	O-Ring	Junta Tórica	29.82 X 2.62 Ref. 56
68	#O-RING	1	O-Ring	Joint Torique	O-Ring	Junta Tórica	10.77 X 2.62 Ref. 56





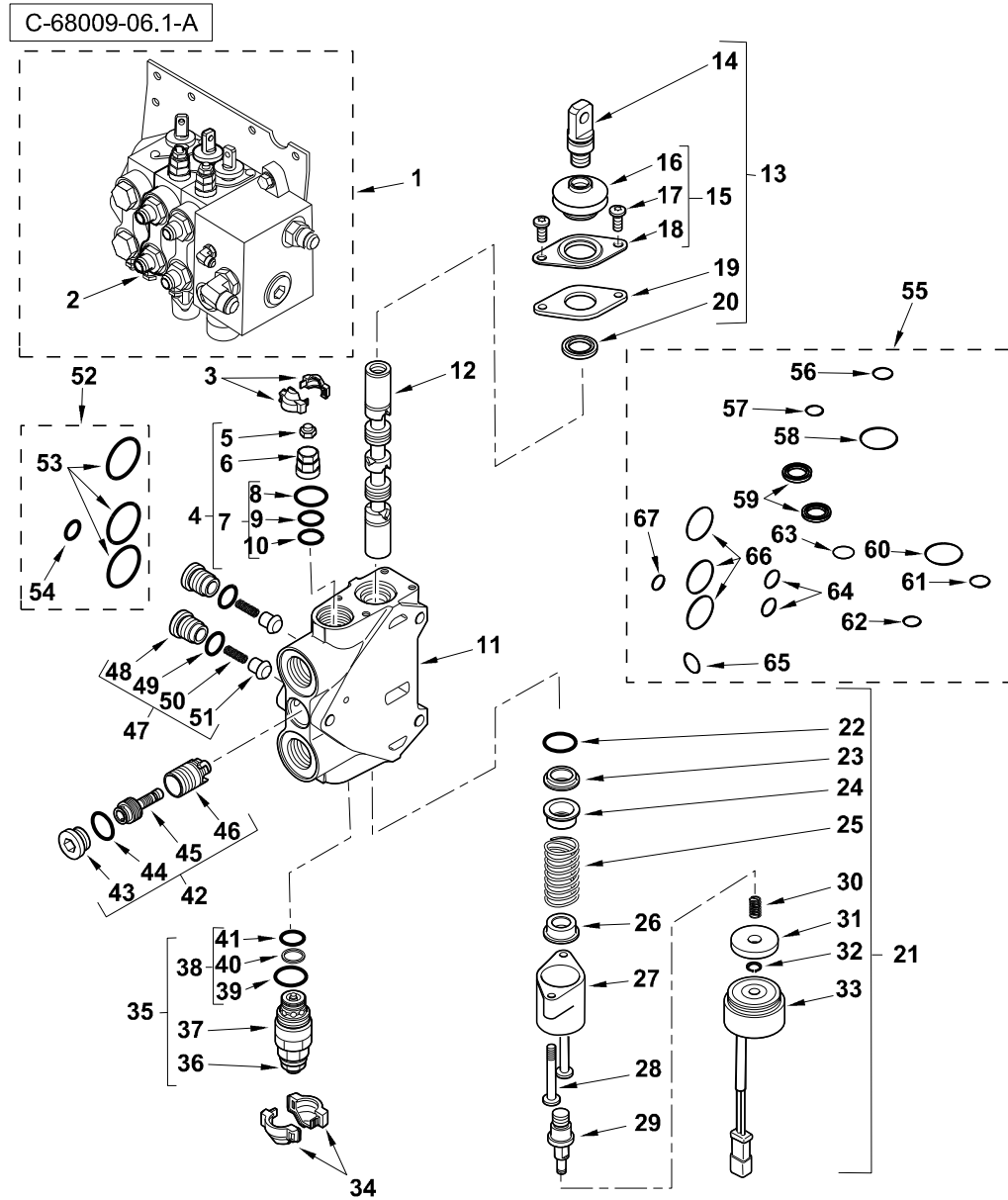
Item	Part No.	Qty.	English	French	German	Spanish	Remarks
1	6109210M91	1	Valve - Loader 3 Spool Mechanical	Ensemble Distributio	Steverventilblock Kp	Distribuidor, Conj.	Continued
2	#VALVE	1	Valve	Soupape	Ventil	Válvula	
3	#COVER	0	Cover	Cover	Cover	Cover	Ref. 2
4	6193778M91	1	Pressure Relief Valve H Port A (240 Bar)	Valve Decharge	Druckbegrventil	Válvula De Seguridad	
5	#NUT	1	Nut	Ecrou	Mutter	Tuerca	Ref. 4
6	#VALVE	1	Valve	Soupape	Ventil	Válvula	Ref. 4
7	6193779M91	1	Seal Kit - Relief Valve	Jeu Étanchéité	Dichtringsatz	Juego De Juntas	
8	#O-RING	1	O-Ring	Joint Torique	O-Ring	Junta Tórica	Ref. 7
9	#O-RING	1	O-Ring	Joint Torique	O-Ring	Junta Tórica	Ref. 7
10	#O-RING	1	O-Ring	Joint Torique	O-Ring	Junta Tórica	Ref. 7
11	#BODY	1	Body	Body	Body	Body	Ref. 2
12	#SPOOL	1	Spool	Spool	Spool	Spool	Ref. 2
13	6193780M91	1	Kit - Mechanical Optd Z1	Lot De Pièces	Ersatzteilpaket	Juego De Piezas	
14	#SCREW	1	Screw	Vis	Schraube	Tornillo	Ref. 13
15	6193783M91	1	Bellows Kit	Lot De Pieces	Dichtung	Juego De Piezas	
16	#SEAL	1	Seal	Joint Étanchéité	Dichtring	Retén	Ref. 15
17	#SCREW	2	Screw	Vis	Schraube	Tornillo	Ref. 15
18	#COVER	1	Cover	Cover	Cover	Cover	Ref. 15
19	#PLATE	1	Plate	Plaque	Platte	Plato	Ref. 13
20	6194492M1	1	Lip Seal - Rexorth Ref: 8100160	Joint Étanchéité	Dichtring	Junta	
21	6193798M91	1	Electrical Detent Kit S2	Lot De Pièces	Ersatzteilpaket	Juego De Piezas	
22	#O-RING	1	O-Ring	Joint Torique	O-Ring	Junta Tórica	Ref. 21
23	6194492M1	1	Lip Seal - Rexorth Ref: 8100160	Joint Étanchéité	Dichtring	Junta	
24	#HOLDER	1	Holder	Holder	Holder	Holder	Ref. 21
25	#SPRING	1	Spring	Ressort	Feder	Muelle	Ref. 21
26	#HOLDER	1	Holder	Holder	Holder	Holder	Ref. 21
27	#CAP	1	Cap	Chapeau	Kappe	Tapa	Ref. 21
28	#BOLT	2	Bolt	Boulon	Schraubbolzen	Perno	Ref. 21
29	#SCREW	1	Screw	Vis	Schraube	Tornillo	Ref. 21
30	#SPRING	1	Spring	Ressort	Feder	Muelle	Ref. 21





Item	Part No.	Qty.	English	French	German	Spanish	Remarks
31	#WASHER	1	Washer	Rondelle	Unterlegscheibe	Arandela	Ref. 21
32	#O-RING	1	O-Ring	Joint Torique	O-Ring	Junta Tórica	Ref. 21
33	#HARNESS	1	Harness	Harness	Harness	Harness	Ref. 21
34	#COVER	0	Cover	Cover	Cover	Cover	Ref. 2
35	6193778M91	1	Pressure Relief Valve H Port A (240 Bar)	Valve Decharge	Druckbegrventil	Válvula De Seguridad	
36	#NUT	1	Nut	Ecrou	Mutter	Tuerca	Ref. 35
37	#VALVE	1	Valve	Soupape	Ventil	Válvula	Ref. 35
38	#KIT, PARTS	1	Kit, Parts	Kit, Parts	Kit, Parts	Kit, Parts	Ref. 35
39	#O-RING	1	O-Ring	Joint Torique	O-Ring	Junta Tórica	Ref. 37
40	#O-RING	1	O-Ring	Joint Torique	O-Ring	Junta Tórica	Ref. 37
41	#O-RING	1	O-Ring	Joint Torique	O-Ring	Junta Tórica	Ref. 37
42	6193774M91	1	Kit - Compensator	Ensemble De Soupape	Ventil Kpl.	Válvula, Conj.	
43	#PLUG	1	Plug	Plug	Plug	Plug	Ref. 42
44	#O-RING	1	O-Ring	Joint Torique	O-Ring	Junta Tórica	Ref. 42
45	#VALVE	1	Valve	Soupape	Ventil	Válvula	Ref. 42
46	#GUIDE	1	Guide	Guide	Guide	Guide	Ref. 42
47	6193775M91	2	Check Valve Kit	Clapet Anti-Retour	Rückschlagventil	Válvula De Parada	
48	#PLUG	1	Plug	Plug	Plug	Plug	Ref. 47
49	#O-RING	1	O-Ring	Joint Torique	O-Ring	Junta Tórica	Ref. 47
50	#SPRING	1	Spring	Ressort	Feder	Muelle	Ref. 47
51	#VALVE	1	Valve	Soupape	Ventil	Válvula	Ref. 47
52	6193771M91	0	Seal Interface Kit	Pochette De Joints	Dichsatz	Juego De Juntas	
53	#O-RING	3	O-Ring	Joint Torique	O-Ring	Junta Tórica	Ref. 52
54	#O-RING	1	O-Ring	Joint Torique	O-Ring	Junta Tórica	Ref. 52
55	6193781M91	0	Seal Kit Complete	Jeu Etancheite	Dichtringsatz	Juege De Juntas	
56	#O-RING	1	O-Ring	Joint Torique	O-Ring	Junta Tórica	18.77 X 1.78 Ref. 55
57	#O-RING	1	O-Ring	Joint Torique	O-Ring	Junta Tórica	15.6 X 1.78 Ref. 55
58	#O-RING	1	O-Ring	Joint Torique	O-Ring	Junta Tórica	36.3 X 1.78 Ref. 55
59	6194492M1	2	Lip Seal - Rexorth Ref: 8100160	Joint Étanchéité	Dichtring	Junta	
60	#O-RING	1	O-Ring	Joint Torique	O-Ring	Junta Tórica	36.3 X 1.78 Ref. 55

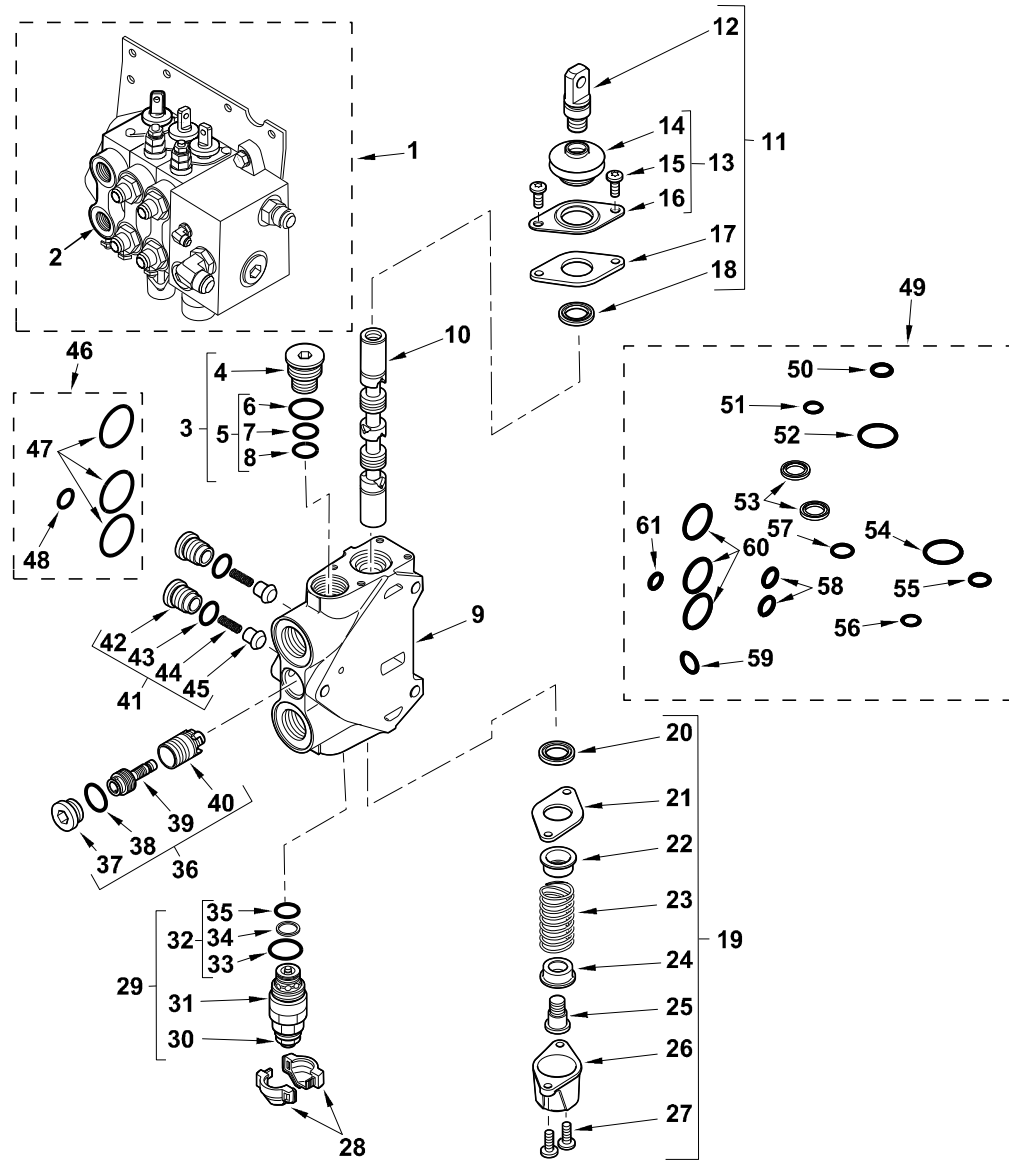




Item	Part No.	Qty.	English	French	German	Spanish	Remarks
61	#O-RING	1	O-Ring	Joint Torique	O-Ring	Junta Tórica	18.77 X 1.78 Ref. 55
62	#O-RING	1	O-Ring	Joint Torique	O-Ring	Junta Tórica	15.6 X 1.78 Ref. 55
63	#O-RING	1	O-Ring	Joint Torique	O-Ring	Junta Tórica	18 X 2.5 Ref. 55
64	#O-RING	2	O-Ring	Joint Torique	O-Ring	Junta Tórica	15 X 2 Ref. 55
65	#O-RING	1	O-Ring	Joint Torique	O-Ring	Junta Tórica	19.4 X 2.1 Ref. 55
66	#O-RING	3	O-Ring	Joint Torique	O-Ring	Junta Tórica	29.82 X 2.62 Ref. 55
67	#O-RING	1	O-Ring	Joint Torique	O-Ring	Junta Tórica	10.77 X 2.62 Ref. 55



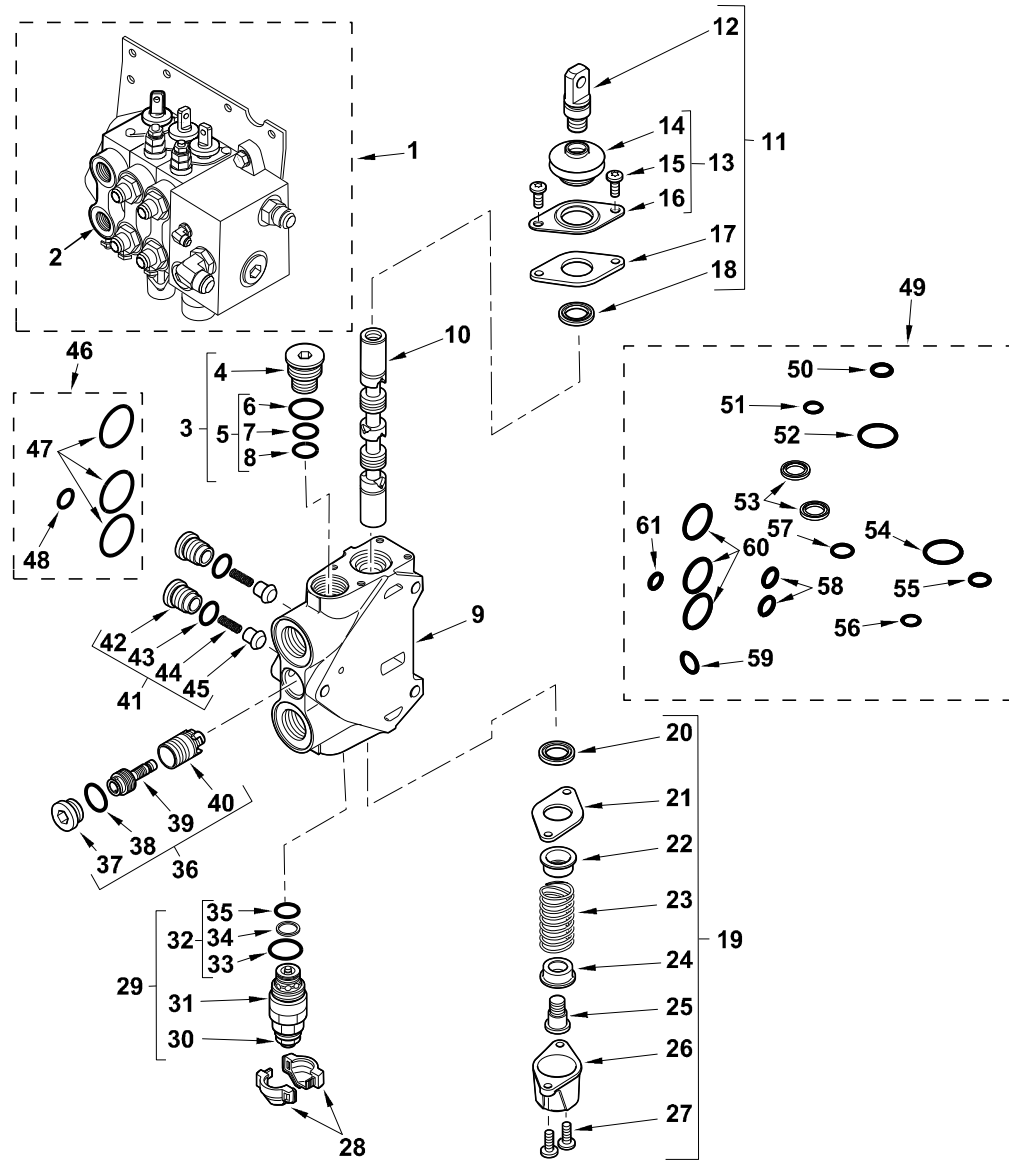
C-68009-07.1-A



Item	Part No.	Qty.	English	French	German	Spanish	Remarks
1	6109210M91	1	Valve - Loader 3 Spool Mechanical	Ensemble Distributio	Steverventilblock Kp	Distribuidor, Conj.	Continued
2	#VALVE	1	Valve	Soupape	Ventil	Válvula	
3	6193785M91	1	Plug Q - Port B	Bouchon	Stopfen	Tapón, Conj.	
4	#PLUG	1	Plug	Plug	Plug	Plug	Ref. 3
5	6193779M91	1	Seal Kit - Relief Valve	Jeu Étanchéité	Dichtringsatz	Juego De Juntas	
6	#O-RING	1	O-Ring	Joint Torique	O-Ring	Junta Tórica	Ref. 5
7	#O-RING	1	O-Ring	Joint Torique	O-Ring	Junta Tórica	Ref. 5
8	#O-RING	1	O-Ring	Joint Torique	O-Ring	Junta Tórica	Ref. 5
9	#BODY	1	Body	Body	Body	Body	Ref. 2
10	#SPOOL	1	Spool	Spool	Spool	Spool	Ref. 2
11	6193780M91	1	Kit - Mechanical Optd Z1	Lot De Pièces	Ersatzteilpaket	Juego De Piezas	
12	#SCREW	1	Screw	Vis	Schraube	Tornillo	Ref. 11
13	6193783M91	1	Bellows Kit	Lot De Pieces	Dichtung	Juego De Piezas	
14	#SEAL	1	Seal	Joint Étanchéité	Dichtring	Retén	Ref. 13
15	#SCREW	2	Screw	Vis	Schraube	Tornillo	Ref. 13
16	#COVER	1	Cover	Cover	Cover	Cover	Ref. 13
17	#PLATE	1	Plate	Plaque	Platte	Plato	Ref. 11
18	6194492M1	1	Lip Seal - Rexorth Ref: 8100160	Joint Étanchéité	Dichtring	Junta	
19	6193784M91	1	Mechanical Optd Kit	Lot De Pièces	Ersatzteilpaket	Juego De Piezas	
20	6194492M1	1	Lip Seal - Rexorth Ref: 8100160	Joint Étanchéité	Dichtring	Junta	
21	#PLATE	1	Plate	Plaque	Platte	Plato	Ref. 21
22	#HOLDER	1	Holder	Holder	Holder	Holder	Ref. 21
23	#SPRING	1	Spring	Ressort	Feder	Muelle	Ref. 21
24	#HOLDER	1	Holder	Holder	Holder	Holder	Ref. 21
25	#SCREW	1	Screw	Vis	Schraube	Tornillo	Ref. 21
26	#CAP	1	Cap	Chapeau	Kappe	Tapa	Ref. 21
27	#BOLT	2	Bolt	Boulon	Schraubbolzen	Perno	Ref. 21
28	#COVER	0	Cover	Cover	Cover	Cover	Ref. 2
29	6193778M91	1	Pressure Relief Valve H Port A (240 Bar)	Valve Decharge	Druckbegrventil	Válvula De Seguridad	
30	#NUT	1	Nut	Ecrou	Mutter	Tuerca	Ref. 29



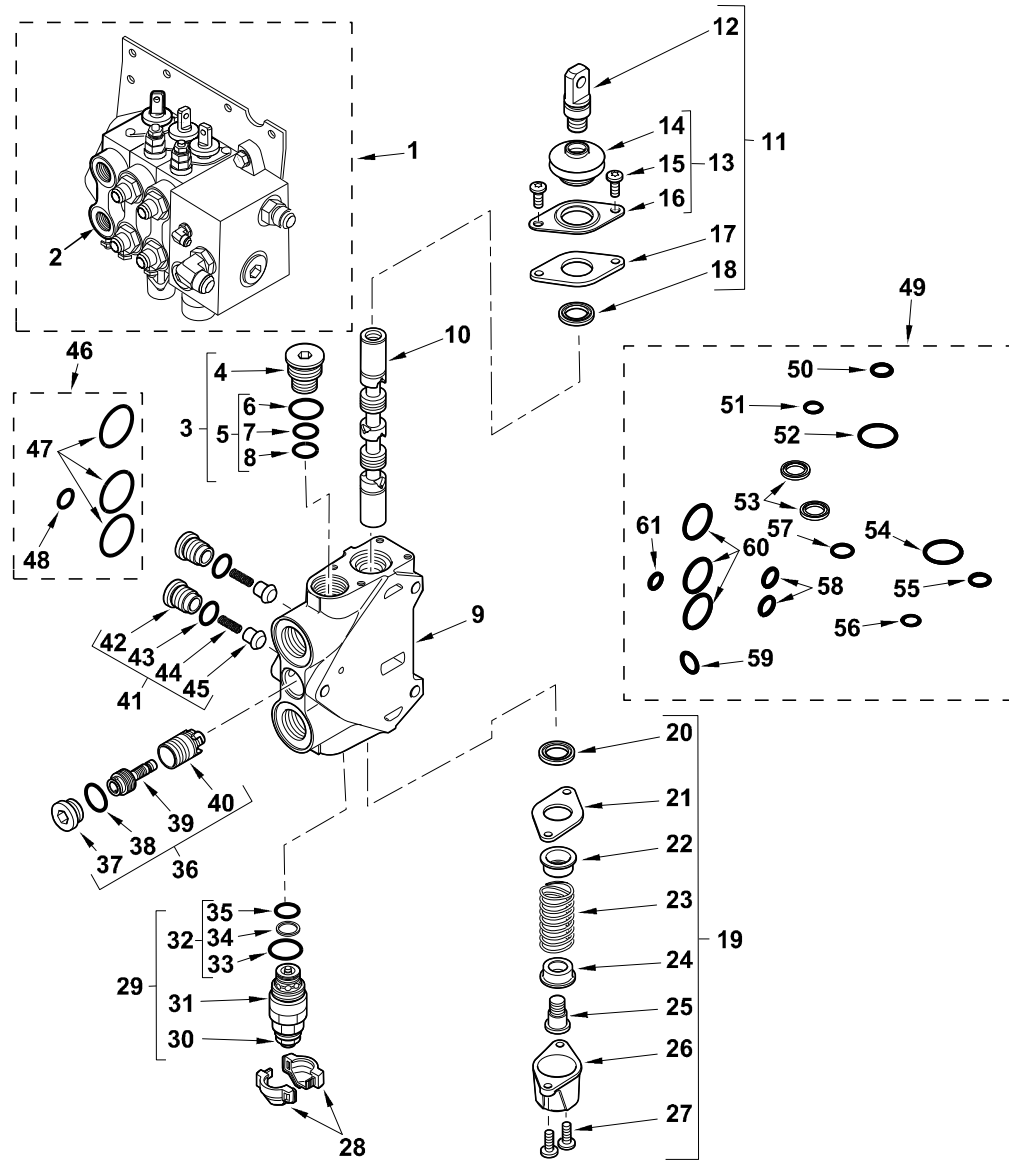
C-68009-07.1-A



Item	Part No.	Qty.	English	French	German	Spanish	Remarks
31	#VALVE	1	Valve	Soupape	Ventil	Válvula	Ref. 29
32	6193779M91	1	Seal Kit - Relief Valve	Jeu Étanchéité	Dichtringsatz	Juego De Juntas	Ref. 29
33	#O-RING	1	O-Ring	Joint Torique	O-Ring	Junta Tórica	Ref. 32
34	#O-RING	1	O-Ring	Joint Torique	O-Ring	Junta Tórica	Ref. 32
35	#O-RING	1	O-Ring	Joint Torique	O-Ring	Junta Tórica	Ref. 32
36	6193774M91	1	Kit - Compensator	Ensemble De Soupape	Ventil Kpl.	Válvula, Conj.	
37	#PLUG	1	Plug	Plug	Plug	Plug	Ref. 36
38	#O-RING	1	O-Ring	Joint Torique	O-Ring	Junta Tórica	Ref. 36
39	#VALVE	1	Valve	Soupape	Ventil	Válvula	Ref. 36
40	#GUIDE	1	Guide	Guide	Guide	Guide	Ref. 36
41	6193775M91	2	Check Valve Kit	Clapet Anti-Retour	Rückschlagventil	Válvula De Parada	
42	#PLUG	1	Plug	Plug	Plug	Plug	Ref. 41
43	#O-RING	1	O-Ring	Joint Torique	O-Ring	Junta Tórica	Ref. 41
44	#SPRING	1	Spring	Ressort	Feder	Muelle	Ref. 41
45	#VALVE	1	Valve	Soupape	Ventil	Válvula	Ref. 41
46	6193771M91	0	Seal Interface Kit	Pochette De Joints	Dichtsatz	Juego De Juntas	
47	#O-RING	3	O-Ring	Joint Torique	O-Ring	Junta Tórica	Ref. 46
48	#O-RING	1	O-Ring	Joint Torique	O-Ring	Junta Tórica	Ref. 46
49	6193781M91	0	Seal Kit Complete	Jeu Etancheite	Dichtringsatz	Juege De Juntas	
50	#O-RING	1	O-Ring	Joint Torique	O-Ring	Junta Tórica	18.77 X 1.78 Ref. 49
51	#O-RING	1	O-Ring	Joint Torique	O-Ring	Junta Tórica	15.6 X 1.78 Ref. 49
52	#O-RING	1	O-Ring	Joint Torique	O-Ring	Junta Tórica	36.3 X 1.78 Ref. 49
53	6194492M1	2	Lip Seal - Rexorth Ref: 8100160	Joint Étanchéité	Dichtring	Junta	
54	#O-RING	1	O-Ring	Joint Torique	O-Ring	Junta Tórica	36.3 X 1.78 Ref. 49
55	#O-RING	1	O-Ring	Joint Torique	O-Ring	Junta Tórica	18.77 X 1.78 Ref. 49
56	#O-RING	1	O-Ring	Joint Torique	O-Ring	Junta Tórica	15.6 X 1.78 Ref. 49
57	#O-RING	1	O-Ring	Joint Torique	O-Ring	Junta Tórica	18 X 2.5 Ref. 49
58	#O-RING	2	O-Ring	Joint Torique	O-Ring	Junta Tórica	15 X 2 Ref. 49
59	#O-RING	1	O-Ring	Joint Torique	O-Ring	Junta Tórica	19.4 X 2.1 Ref. 49
60	#O-RING	3	O-Ring	Joint Torique	O-Ring	Junta Tórica	29.82 X 2.62 Ref. 49



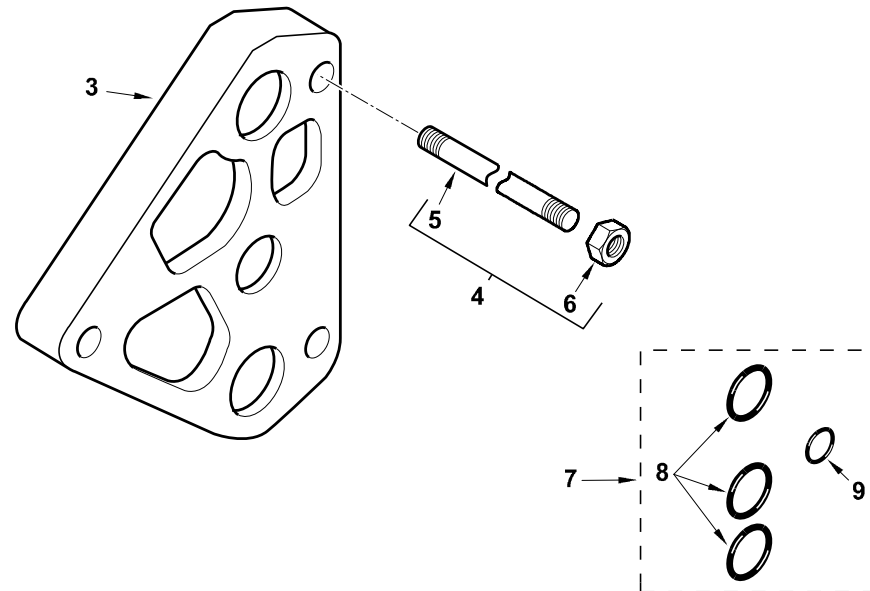
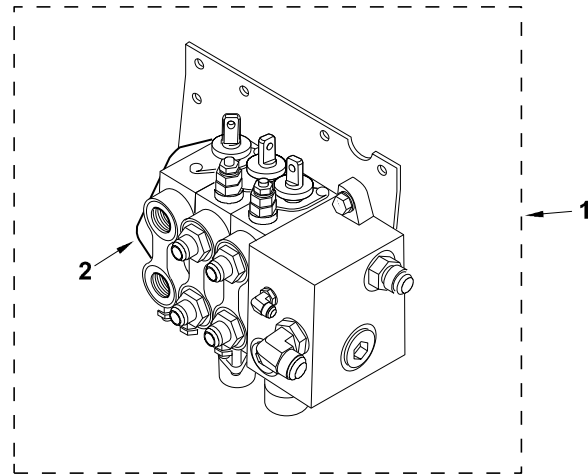
C-68009-07.1-A



Item	Part No.	Qty.	English	French	German	Spanish	Remarks
61	#O-RING	1	O-Ring	Joint Torique	O-Ring	Junta Tórica	10.77 X 2.62 Ref. 49



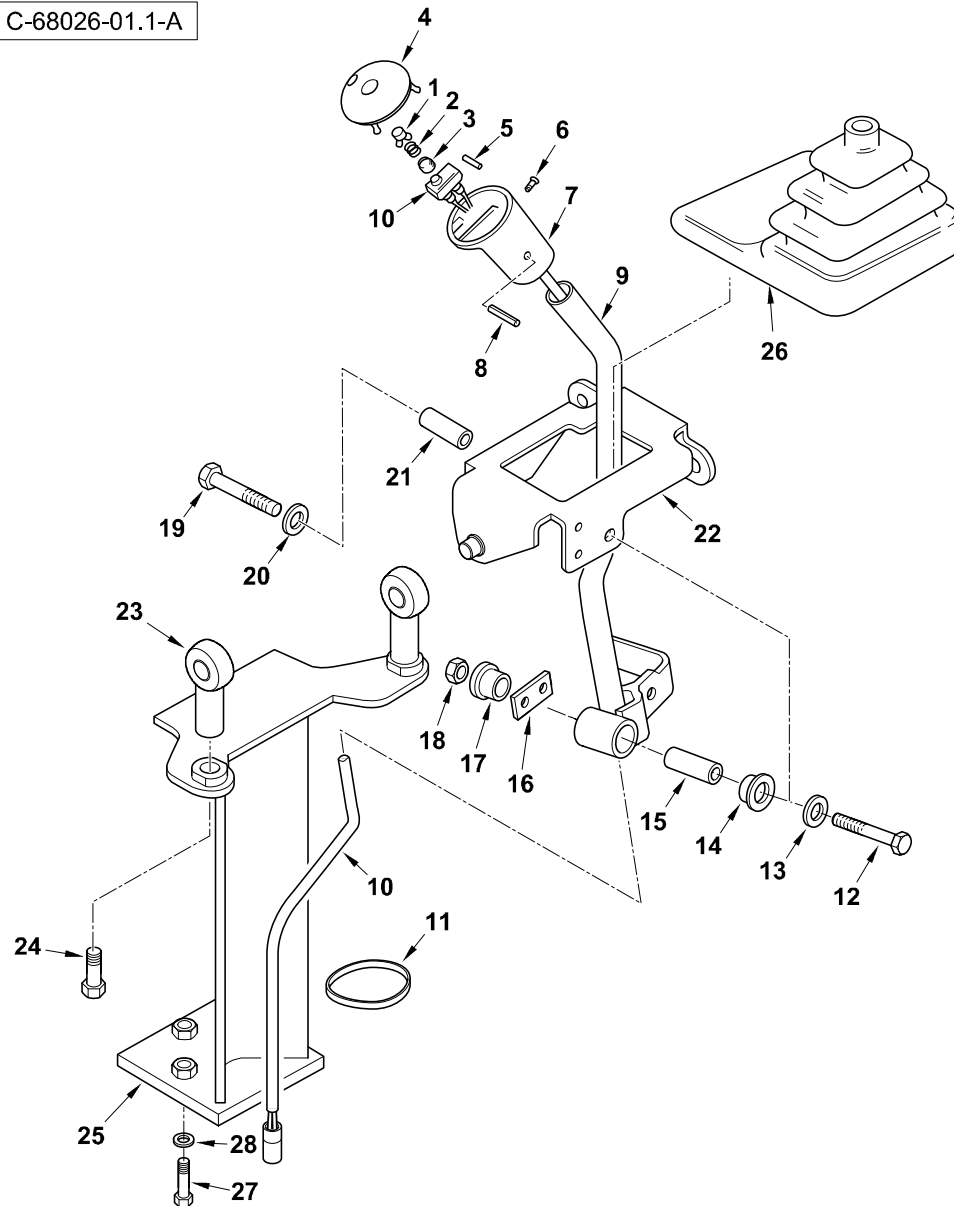
C-68009-08.1-A



Item	Part No.	Qty.	English	French	German	Spanish	Remarks
1	6109210M91	1	Valve - Loader 3 Spool Mechanical	Ensemble Distributio	Steverventilblock Kp	Distribuidor, Conj.	
2	#VALVE	1	Valve	Soupape	Ventil	Válvula	
3	#COVER	1	Cover	Cover	Cover	Cover	Ref. 2
4	#TIE ROD ASSY	3	Rod Assy	Rod Assy	Rod Assy	Rod Assy	Ref. 2
5	#ROD	1	Rod	Rod	Rod	Rod	Ref. 4
6	#NUT	1	Nut	Ecrou	Mutter	Tuerca	Ref. 4
7	6193771M91	0	Seal Interface Kit	Pochette De Joints	Dichtsatz	Juego De Juntas	
8	#O-RING	3	O-Ring	Joint Torique	O-Ring	Junta Tórica	Ref. 7
9	#O-RING	1	O-Ring	Joint Torique	O-Ring	Junta Tórica	Ref. 7



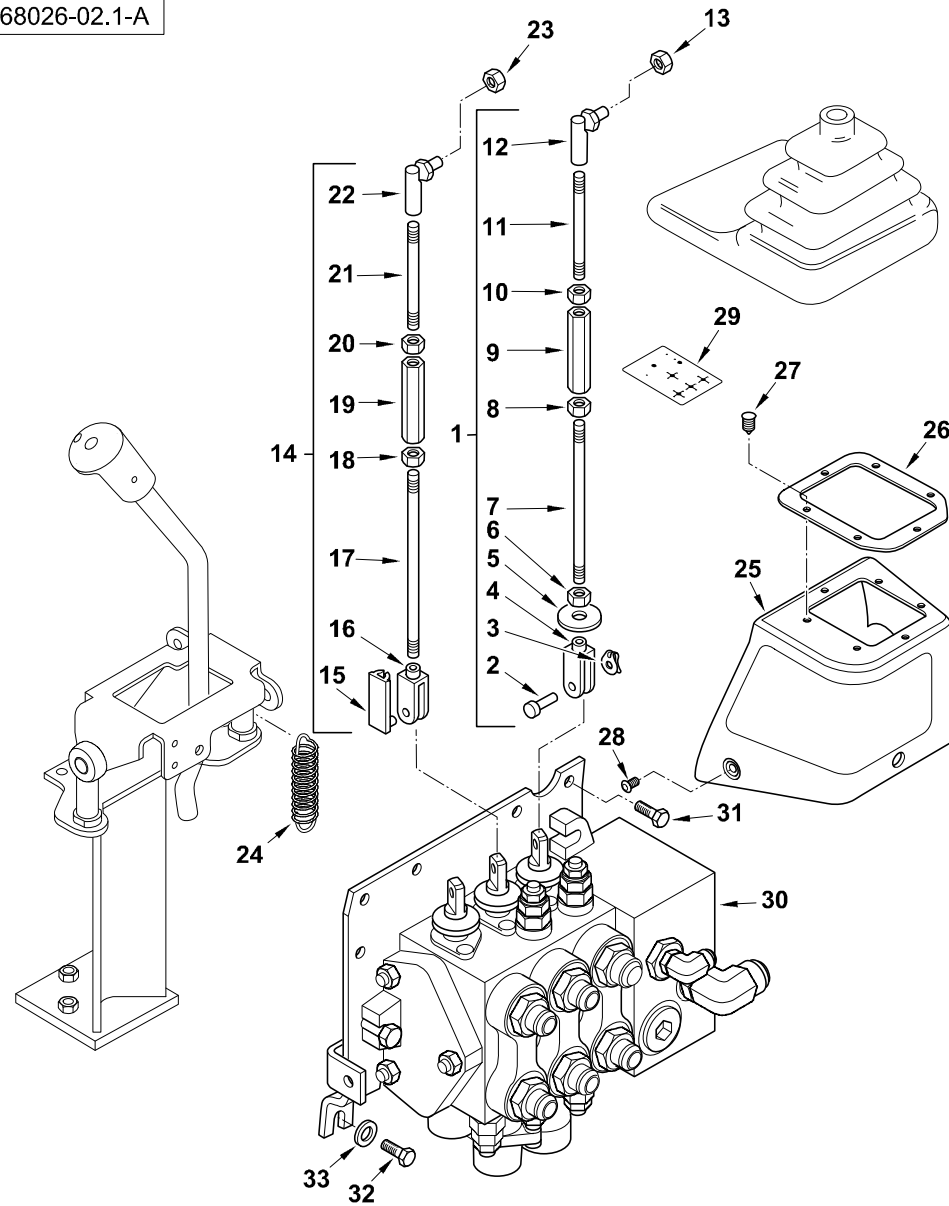
C-68026-01.1-A



Item	Part No.	Qty.	English	French	German	Spanish	Remarks
1	3521894M4	2	Button Ldr Cntls	Bouton	Knopf	Botón	
2	3520328M3	2	Spring	Siege De Ressort	Feder	Muelle	
3	3522894M1	2	Boot Control Knob	Coffre	Schutzkappe	Fuelle	
4	3522285M5	1	Knob Top Ldr Cntl	Boule	Knauf	Bola	
5	3522507M3	4	Pin Parallel	Goupille D´Arrêt	Sicherungsstift	Pasador	
6	3516886M1	2	Screw C/Sk 1/4 Lng	Vis	Schraube	Tornillo	
7	3522621M5	1	Base Control Knob	Poignée De Levier	Griff	Empuñ. Palanca	
8	3019531X1	1	Pin - Roll	Goupille Elastique	Spannhulse	Pasador Elástico	
9	6109383M91	1	Lever - Loader Control W/Assy	Levier	Hebel	Palanca, Conj.	
10	3516043M94	1	Switch And Harness - Ldr. Cont. Lever	Interrupteur	Beschirring	Haz	
11	1664405M1	1	Tie Mm T50s	Attache Cable	Kabelbinder	Enlace De Cable	
12	339159X1	1	Bolt M8-65	Boulon	Bolzen	Tornillo	
13	6108769M1	1	Washer-M8 Nord-Lock	Rondelle De Blocage	Federring M8	Arandela De Freno	
14	6106560M1	1	Bush	Douille	Buechse	Anillo	
15	6106561M3	1	Spacer-Loader Controls	Entretoise	Abstandstueck	Traviesa	
16	6106562M1	1	Plate-L/Cont. Tie Bar	Barre	Stab	Placa	
17	6106560M1	1	Bush	Douille	Buechse	Anillo	
18	394367X1	1	Nut, Hex. - Nyloc, M8	Ecrou Blocage M8	Flachmutter - M8	Tuerca De Retención	
19	339291X1	1	Bolt M8-55 Z5s	Goupille	Bolzen M8 X 55	Tornillo	
20	6108769M1	1	Washer-M8 Nord-Lock	Rondelle De Blocage	Federring M8	Arandela De Freno	
21	6106561M3	1	Spacer-Loader Controls	Entretoise	Abstandstueck	Traviesa	
22	6109381M91	1	Cradle - Rexroth Valve W/Assy	Berceau	Fahrschemel	Soporte	
23	6102844M1	2	Rodend-M12 Spherical	Support De Fixation	Kugelkopf, Plastik	Soporte De Fijación	
24	3009505X1	2	Hex. Bolt, M12 X 25 - Coarse	Boulon	Bolzen M12 X 25	Perno	
25	6109802M91	1	Loader Control Column Assy	Ensemble De Support	Haltevorrichtung	Apoyadero, Conj.	
26	6109927M1	1	Gaiter (Black) - Loader Lever	Souf•et	Manschette	Fuelle	
27	339009X1	3	Bolt - M8 X 35	Boulon M8 X 35	Maschschraube M8	Tornillo	
28	339374X1	3	Washer M8 -21-2 Z	Rondelle Frein - M8	Federring - M8	Arandela De Freno	



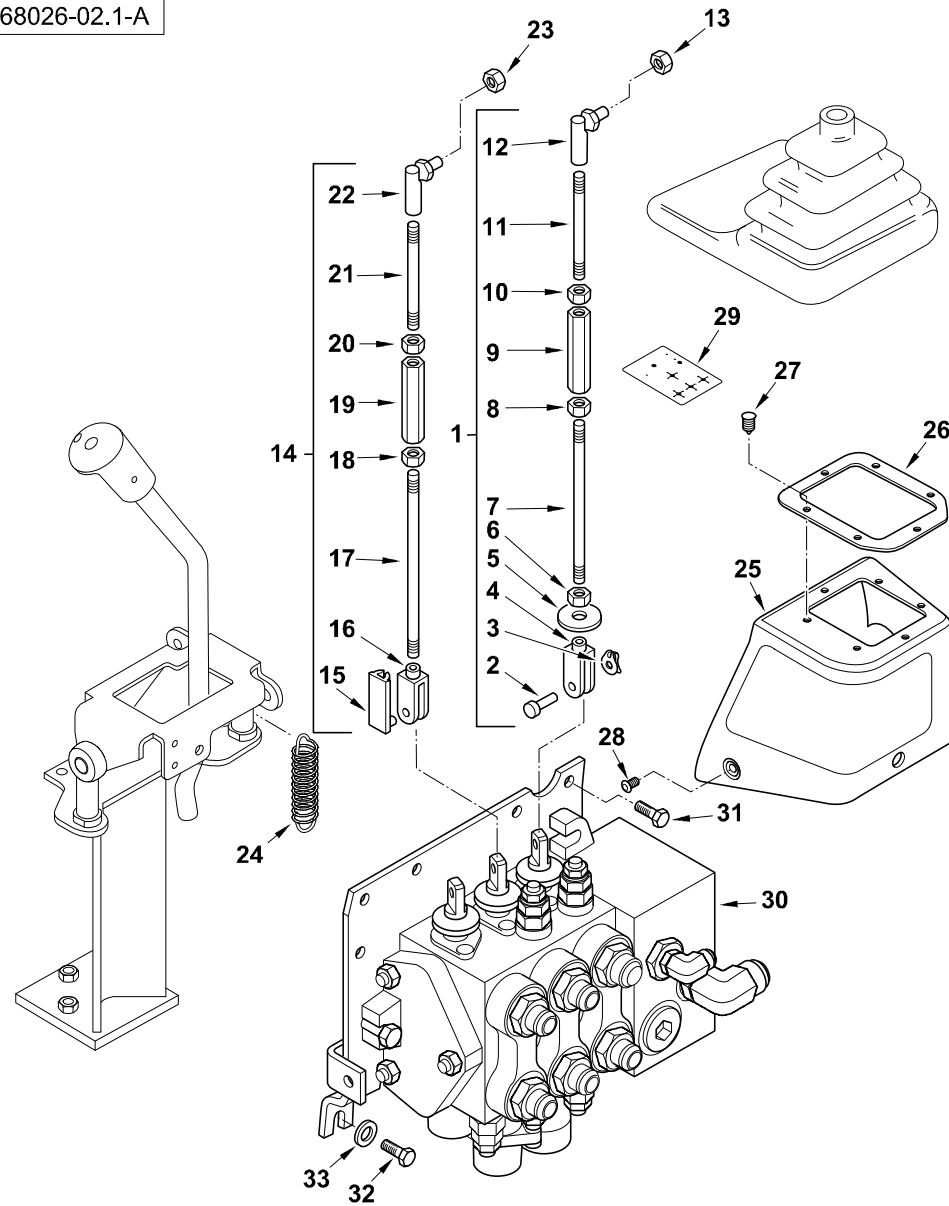
C-68026-02.1-A



Item	Part No.	Qty.	English	French	German	Spanish	Remarks
1	6102738M93	1	Rod Assy. - Loader Control	Ensemble Tringlerie	Gestänge	Tirantes, Conj.	
2	6102816M1	1	Pin-Clevis	Axe De Chape	Gabelstift	Eje De Brida	
3	3516322M1	1	Clip, Spring - No.8	Clip	Klips	Clip	
4	3519590M1	1	Clevis LH Thread	Chape	Gabelverbindung	Brida	
5	3518878M3	1	Washer	Rondelle	Scheibe	Arandela	
6	3519650M1	1	Nut, Hex - M8, L/H Thread	Ecrou	Mutter	Tuerca	
7	#ROD	1	Rod	Rod	Rod	Rod	
8	339169X1	1	Nut, Hex. - M8, Coarse	Ecrou Métrique	Mutter Metrisch	Tuerca	
9	6102733M1	1	Turnbuckle M8	Tendeur De Tringle	Spannschloss	Torniquete	
10	3519650M1	1	Nut, Hex - M8, L/H Thread	Ecrou	Mutter	Tuerca	
11	#ROD	1	Rod	Rod	Rod	Rod	
12	3519589M1	1	Ball-Joint	Rotule	Kugelgelenk	Rotula	
13	394367X1	1	Nut, Hex. - Nyloc, M8	Ecrou Blocage M8	Flachmutter - M8	Tuerca De Retención	
14	6102737M92	1	Rod Assy. - Loader Control	Tringle	Stange	Tirantes, Conj.	
15	3520666M1	1	Pin W/ Spring Clip	Axe De Chape	Gabelstift	Eje De Brida	
16	3519590M1	1	Clevis LH Thread	Chape	Gabelverbindung	Brida	
17	#ROD	1	Rod	Rod	Rod	Rod	Ref. 14
18	339169X1	1	Nut, Hex. - M8, Coarse	Ecrou Métrique	Mutter Metrisch	Tuerca	
19	6102733M1	1	Turnbuckle M8	Tendeur De Tringle	Spannschloss	Torniquete	
20	3519650M1	1	Nut, Hex - M8, L/H Thread	Ecrou	Mutter	Tuerca	
21	#ROD	1	Rod	Rod	Rod	Rod	Ref. 14
22	3519589M1	1	Ball-Joint	Rotule	Kugelgelenk	Rotula	
23	394367X1	1	Nut, Hex. - Nyloc, M8	Ecrou Blocage M8	Flachmutter - M8	Tuerca De Retención	
24	6109761M1	1	Spring-Ldr Control	Siège De Ressort	Federsitz	Muelle	
25	T101140	1	Loader Tower Moulding (Black)	Moulure - Tourelle	Pressling - Turm	Bordon - Torre	
26	3516856M3	1	Plate, Gaiter - Loader Controls	Plaque	Platte	Placa	
27	3521303M3	6	Fastener, Plastic - Gear Lever Gaiter	Agrafe	Halteklammer	Enganche	
28	3512552M1	3	Screw Pan Hd.M5 X 12	Vis	Schraube	Tornillo	
29	6101873M1	1	Decal-Ldr Controls Std	Adhésif	Aufkleber	Adhesivo	
30	6109325M91	1	Valve Assembly - Loader Rexroth	Ensemble Distributio	Steuerventilblock Kp	Distribuidor, Conj.	



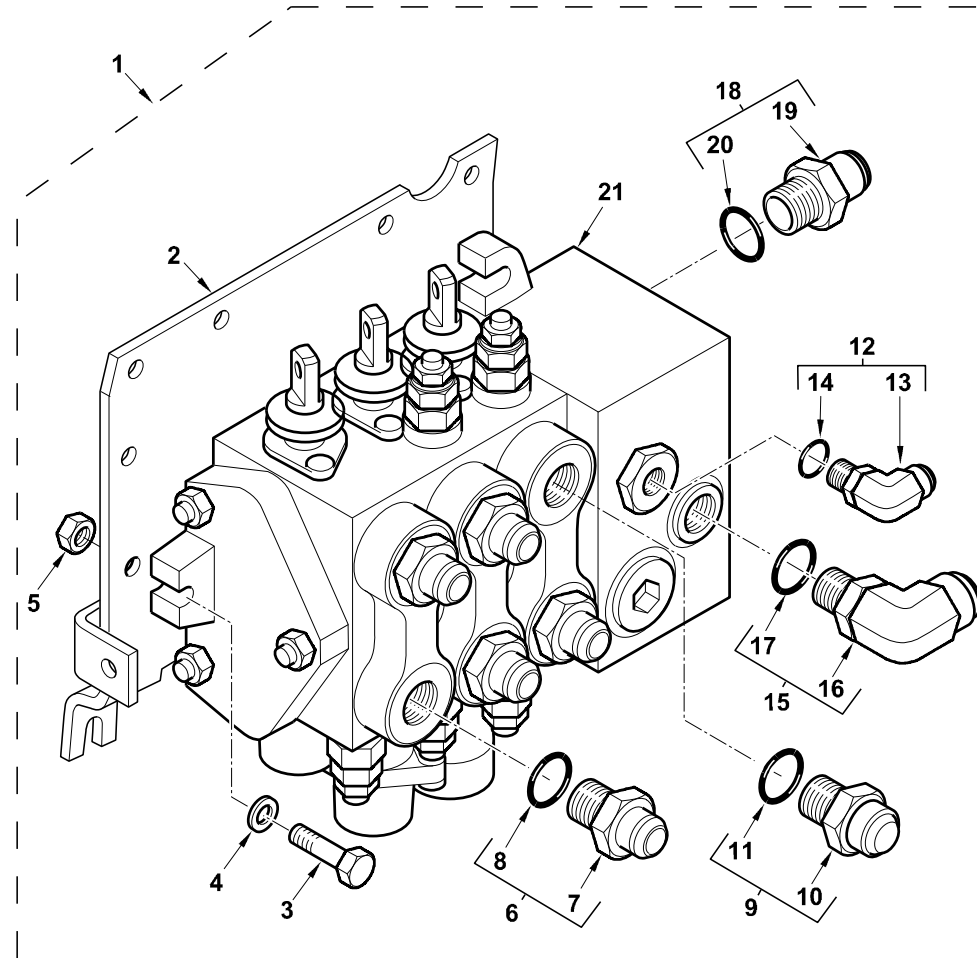
C-68026-02.1-A



Item	Part No.	Qty.	English	French	German	Spanish	Remarks
31	3009492X1	2	Bolt - Hex. M10 X 25	Boulon M10 X 25	Schraube M10 X 25	Tornillo	
32	3009492X1	1	Bolt - Hex. M10 X 25	Boulon M10 X 25	Schraube M10 X 25	Tornillo	
33	385362X1	1	Washer, Hardened - M10	Rondelle - M10	Unterlegscheibe M10	Arandela	



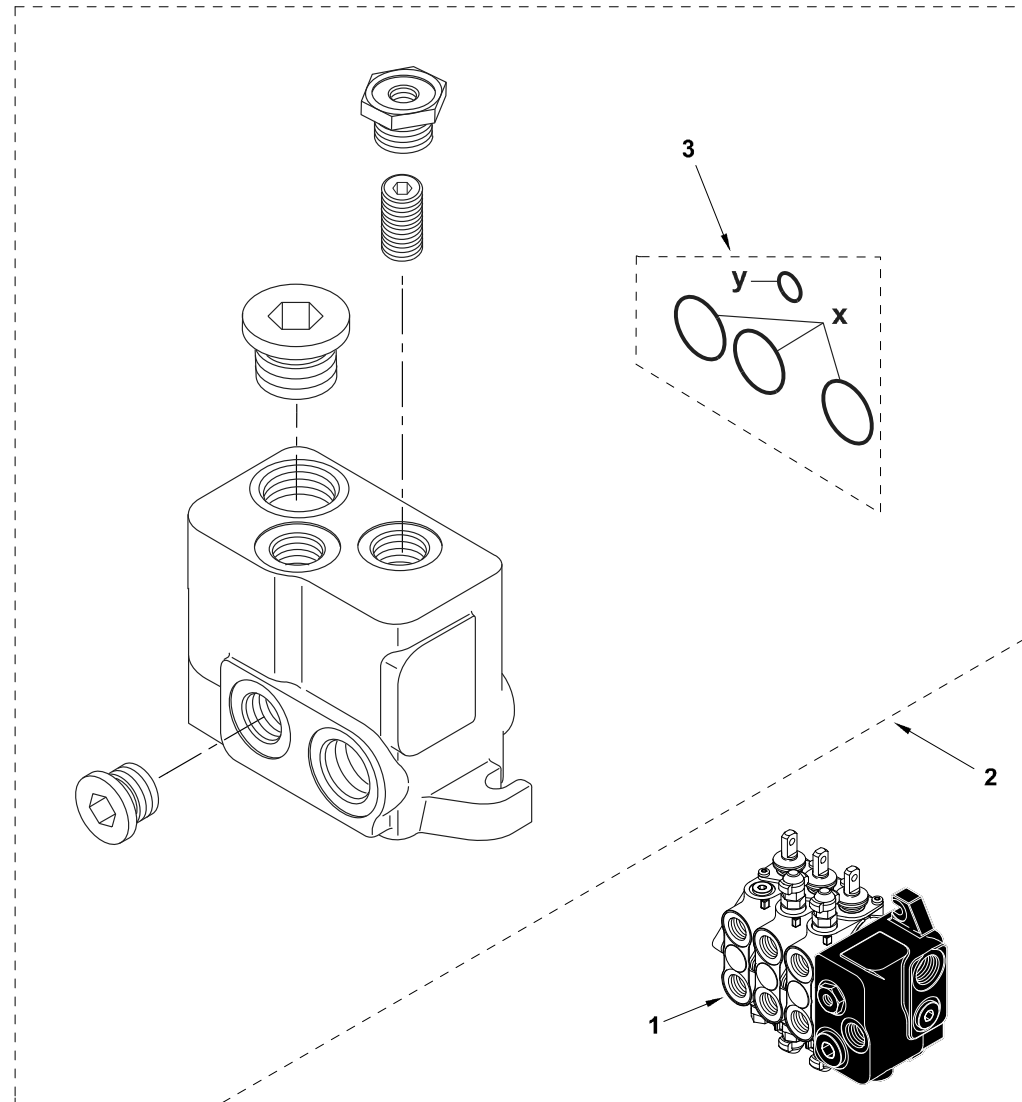
C-68026-03.1-A



Item	Part No.	Qty.	English	French	German	Spanish	Remarks
1	6109325M91	1	Valve Assembly - Loader Rexroth	Ensemble Distributio	Steuerventilblock Kp	Distribuidor, Conj.	
2	6109370M91	1	Plate - Rexroth Loader Valve W/Assy	Plaque	Platte	Placa, Conj.	
3	3009496X1	3	Bolt Hex - M10 X 45 (Coarse)	Boulon M10 X 45	Maschschraube - M10	Tornillo	
4	385362X1	3	Washer, Hardened - M10	Rondelle - M10	Unterlegscheibe M10	Arandela	
5	1440329X1	3	Nut, Hex. - Nyloc, M10	Ecrou Blocage	Flachmutter M10	Tuerca De Retención	
6	365715X91	5	Connector, Hydr.-Straight, 1 1/16 X 7/8	Borne	Doppelnippel	Conexión, Conj.	
7	#CONNECTOR	1	Connector	Connector	Connector	Connector	Ref. 6
8	835025M1	1	Ring O	Joint Torique	O Ring	Junta De Tipo O	
9	835057M91	1	Connector B1510m-12-12	Raccord	Schraubanschluss	Conexión, Conj.	
10	#CONNECTOR	1	Connector	Connector	Connector	Connector	Ref. 9
11	835025M1	1	Ring O	Joint Torique	O Ring	Junta De Tipo O	
12	357197X91	1	Elbow & O Ring	Coude	Kniestück, 90°	Codo, 90°	
13	#ELBOW	1	Elbow	Elbow	Elbow	Elbow	Ref. 12
14	831452M1	1	O Ring (Pack Of 10)	Joint Torique	O Ring	Junta De Tipo O	
15	358764X91	1	Elbow 90 Deg	Coude 90°	Kniestück, 90°	Codo, 90°	
16	#ELBOW	1	Elbow	Elbow	Elbow	Elbow	Ref. 15
17	835025M1	1	Ring O	Joint Torique	O Ring	Junta De Tipo O	
18	835014M91	1	Connector - 1 5/16" To 1 5/16"	Borne	Doppelnippel	Unión	
19	#CONNECTOR	1	Connector	Connector	Connector	Connector	Ref. 18
20	835026M1	1	O-Ring	Joint Torique	O-Ring	Junta De Tipo O	
21	6109210M91	1	Valve - Loader 3 Spool Mechanical	Ensemble Distributio	Steuerventilblock Kp	Distribuidor, Conj.	



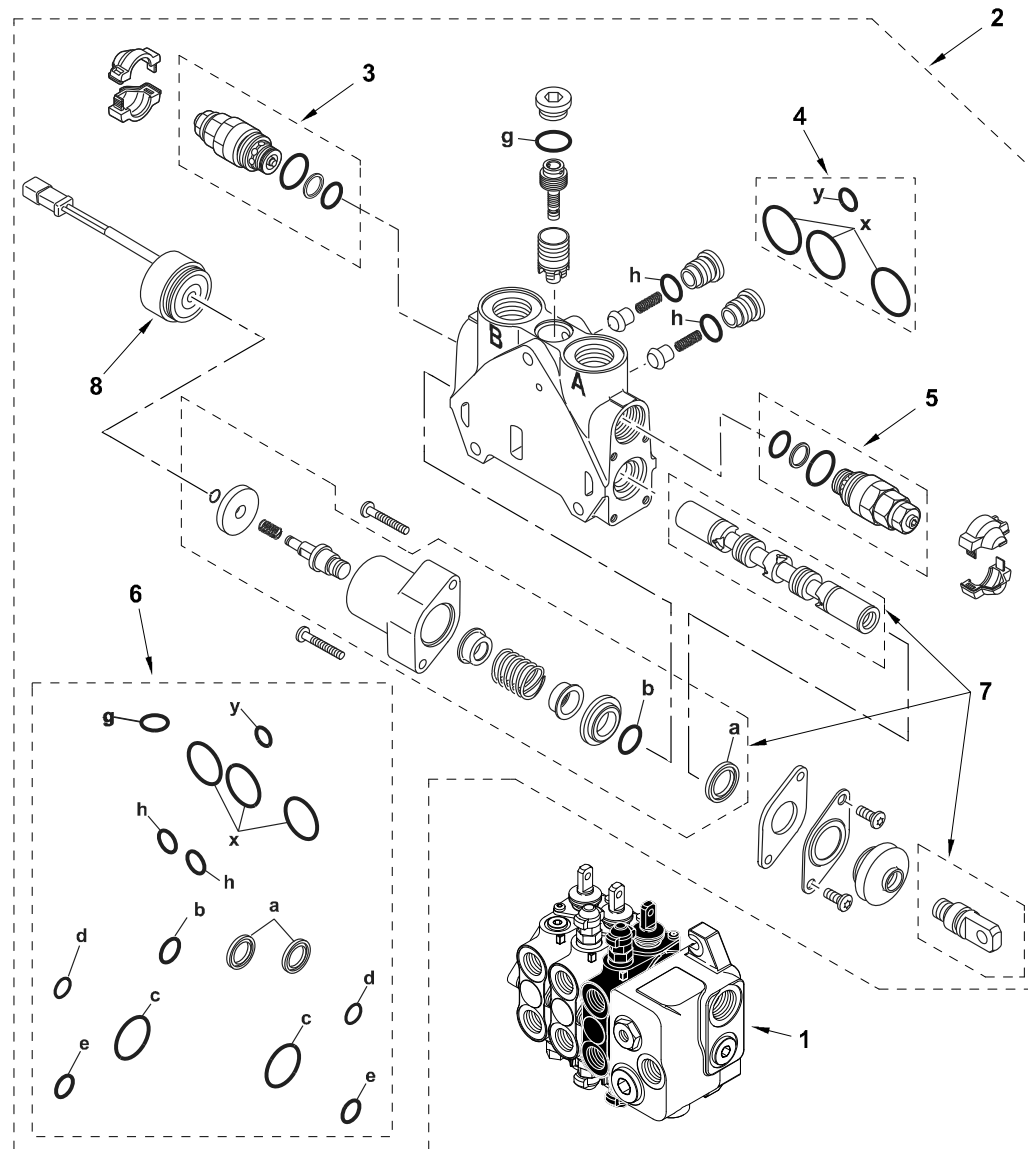
C-68026-04.1-A



Item	Part No.	Qty.	English	French	German	Spanish	Remarks
1	6109210M91	1	Valve - Loader 3 Spool Mechanical	Ensemble Distributio	Steverventilblock Kp	Distribuidor, Conj.	
2	6194535M91	1	Element - Inlet	Element - Soupape	Element - Ventil	Elemento - Válvula	Inlet
3	6193771M91	1	Seal Interface Kit	Pochette De Joints	Dichsatz	Juego De Juntas	



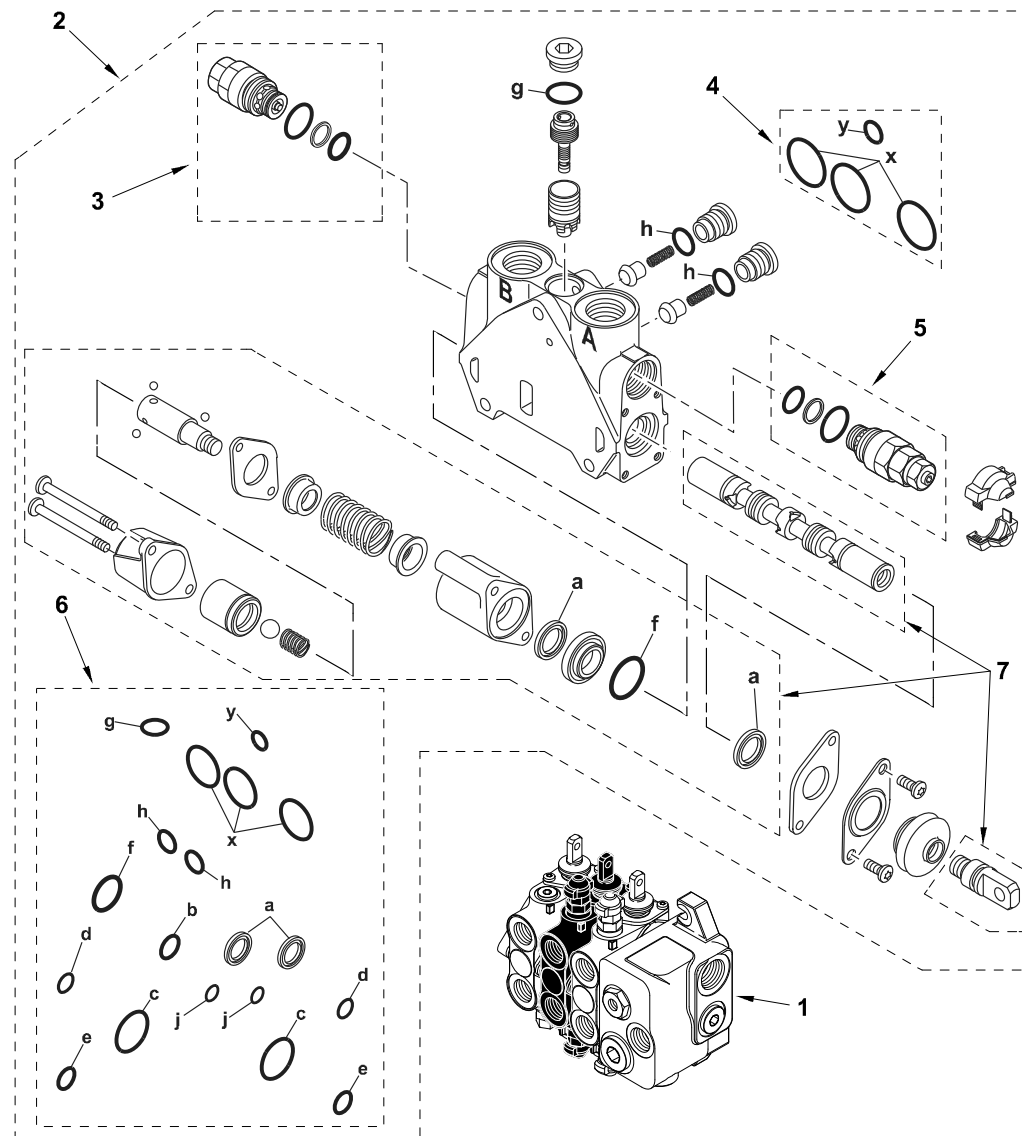
C-68026-05.1-A



Item	Part No.	Qty.	English	French	German	Spanish	Remarks
1	6109210M91	1	Valve - Loader 3 Spool Mechanical	Ensemble Distributio	Steverventilblock Kp	Distribuidor, Conj.	
2	6194531M91	1	Element - Bucket	Element - Soupape	Element - Ventil	Elemento - Válvula	
3	6193804M91	1	Pressure Relief Valve H (310 Bar)	Valve Decharge	Druckbegrventil	Válvula De Seguridad	
4	6193771M91	1	Seal Interface Kit	Pochette De Joints	Dichsatz	Juego De Juntas	
5	6193801M91	1	Pressure Relief Valve H (345 Bar)	Valve Decharge	Druckbegrventil	Válvula De Seguridad	
6	6193781M91	1	Seal Kit Complete	Jeu Etancheite	Dichtringsatz	Juege De Juntas	
7	6194835M91	1	Spool Kit (Slice - Loader Bucket)	Jeu Tiroir	Schieber Satz	Juego Carrete	
8	6195101M91	1	Solenoid Kit	Solenoide	Magnetspule	Solenoide, Conj.	



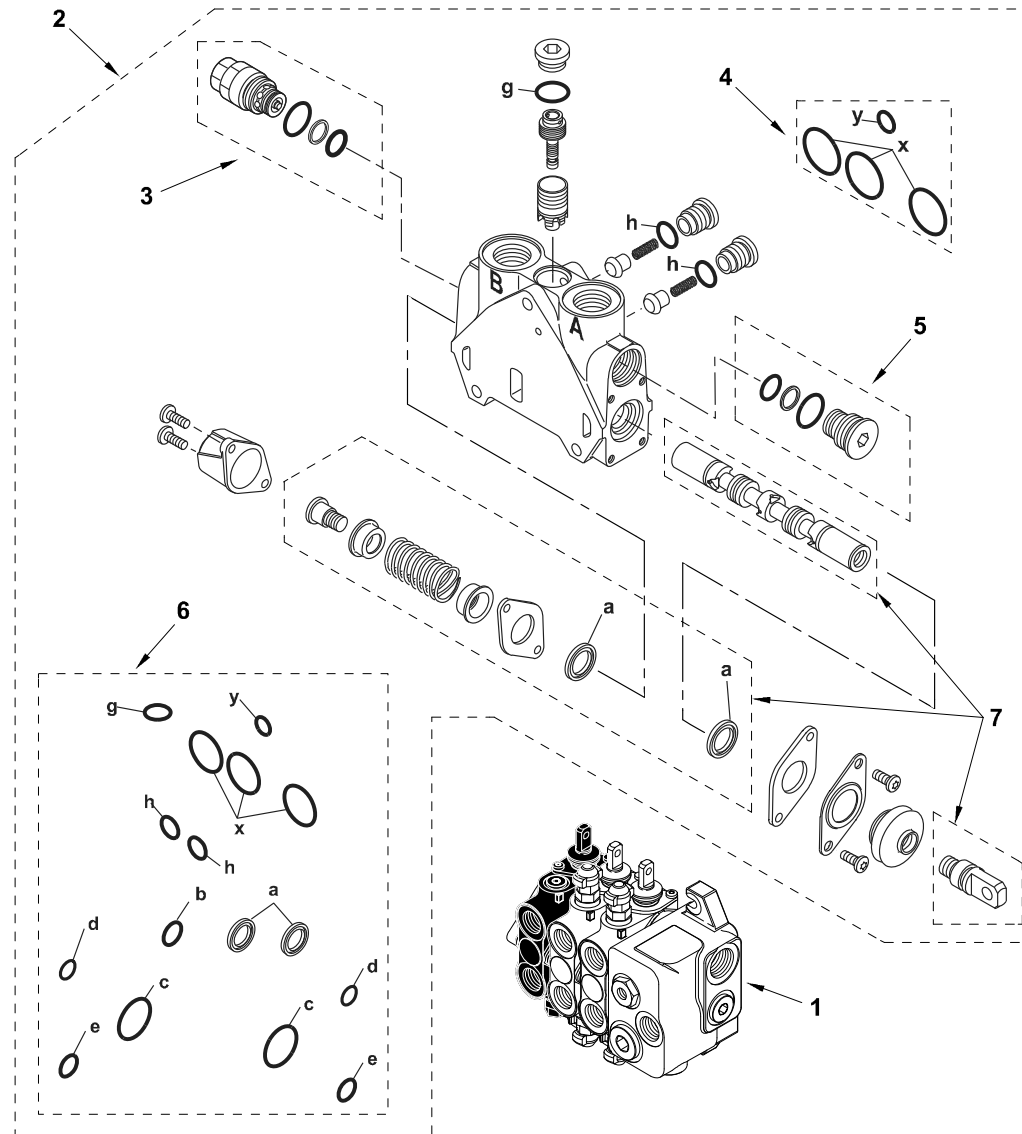
C-68026-06.1-A



Item	Part No.	Qty.	English	French	German	Spanish	Remarks
1	6109210M91	1	Valve - Loader 3 Spool Mechanical	Ensemble Distributio	Steverventilblock Kp	Distribuidor, Conj.	Continued
2	6194532M91	1	Element - Dipper	Element - Soupape	Element - Ventil	Elemento - Válvula	
3	6193782M91	1	Anti-Cavitation Valve E Port B	Ensemble De Soupape	Ventil Kpl.	Válvula, Conj.	
4	6193771M91	1	Seal Interface Kit	Pochette De Joints	Dichsatz	Juego De Juntas	
5	6193800M91	1	Pressure Relief Valve H 240 Bar	Valve Decharge	Druckbegrventil	Válvula De Seguridad	
6	6194518M91	1	Seal Kit	Jeu Etancheite	Dichtringsatz	Juego De Juntas	
7	6194836M91	1	Spool Kit (Slice - Loader Arm)	Jeu Tiroir	Schieber Satz	Juego Carrete	



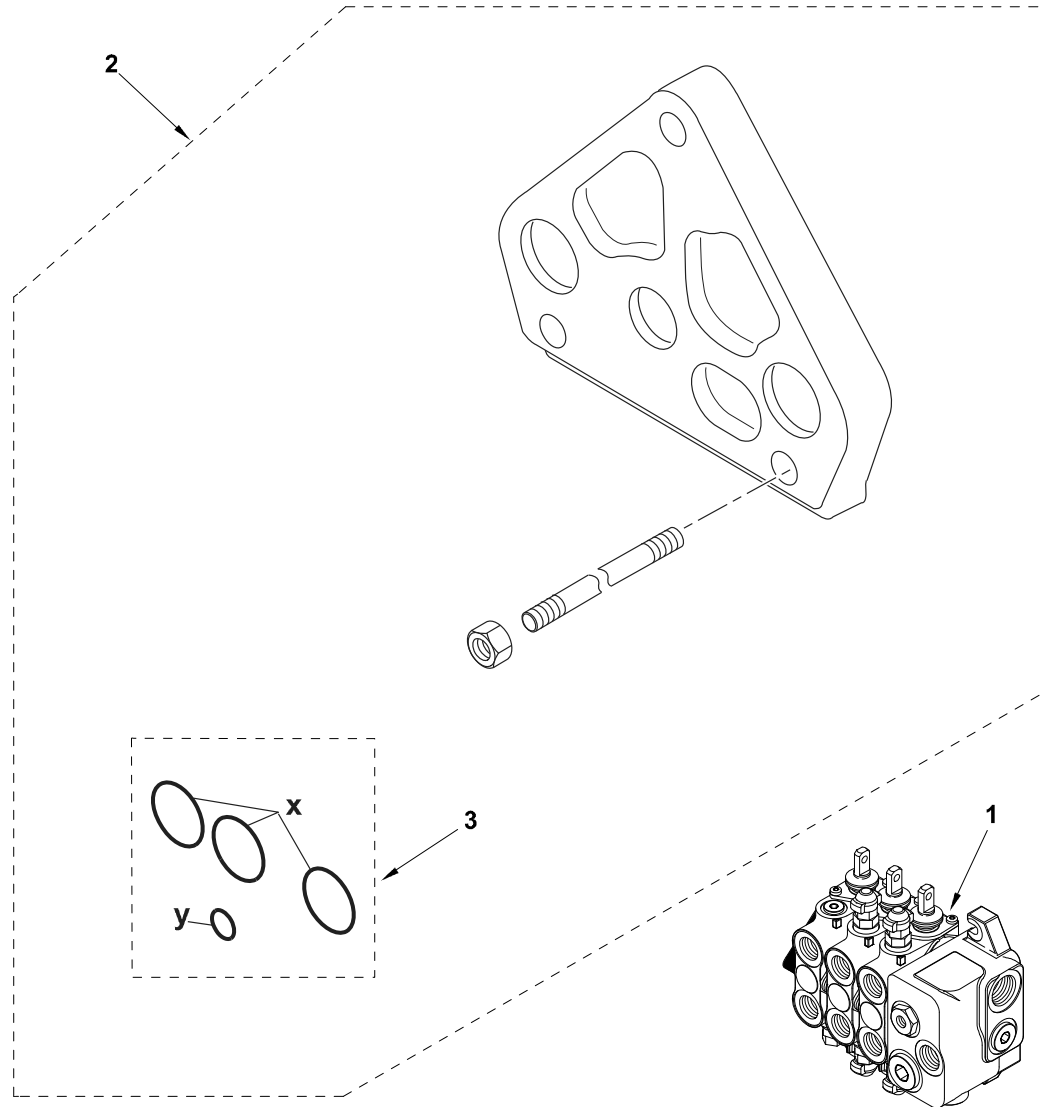
C-68026-07.1-A



Item	Part No.	Qty.	English	French	German	Spanish	Remarks
1	6109210M91	1	Valve - Loader 3 Spool Mechanical	Ensemble Distributio	Steverventilblock Kp	Distribuidor, Conj.	
2	6194533M91	1	Element - 4 X 1	Element - Soupape	Element - Ventil	Elemento - Válvula	
3	6193782M91	1	Anti-Cavitation Valve E Port B	Ensemble De Soupape	Ventil Kpl.	Válvula, Conj.	
4	6193771M91	1	Seal Interface Kit	Pochette De Joints	Dichsatz	Juego De Juntas	
5	6193785M91	1	Plug Q - Port B	Bouchon	Stopfen	Tapón, Conj.	
6	6193791M91	1	Seal Kit - L/S Valve	Jeu Étanchéité	Dichtringsatz	Juego De Juntas	
7	6194828M91	1	Spool Kit (Slice - Bucket 4 In 1 Loader)	Jeu Tiroir	Schieber Satz	Juego Carrete	



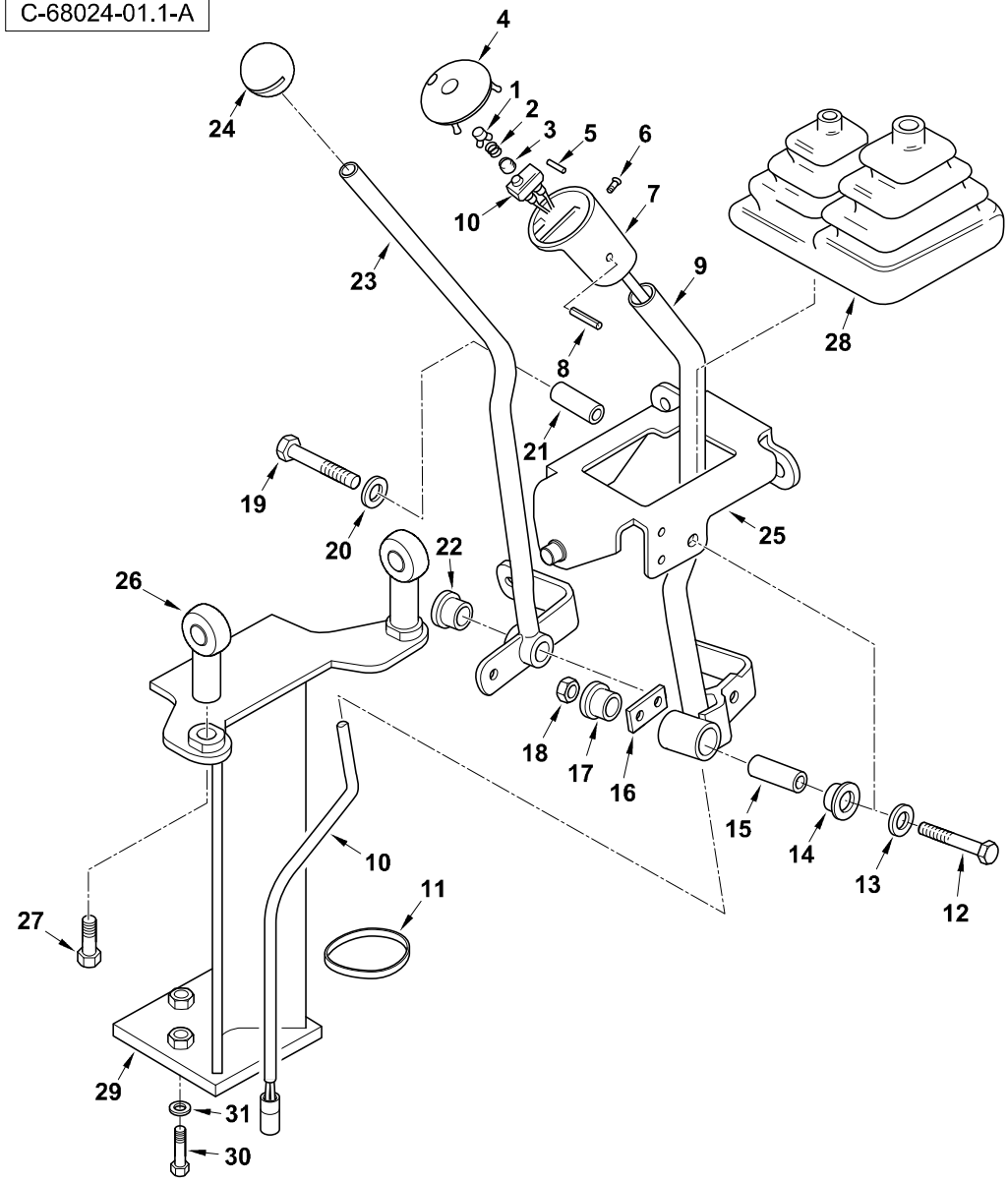
C-68026-08.1-A



Item	Part No.	Qty.	English	French	German	Spanish	Remarks
1	6109210M91	1	Valve - Loader 3 Spool Mechanical	Ensemble Distributio	Steverventilblock Kp	Distribuidor, Conj.	
2	6194517M91	1	Element - Outlet	Element - Soupape	Element - Ventil	Elemento - Válvula	
3	6193771M91	1	Seal Interface Kit	Pochette De Joints	Dichsatz	Juego De Juntas	

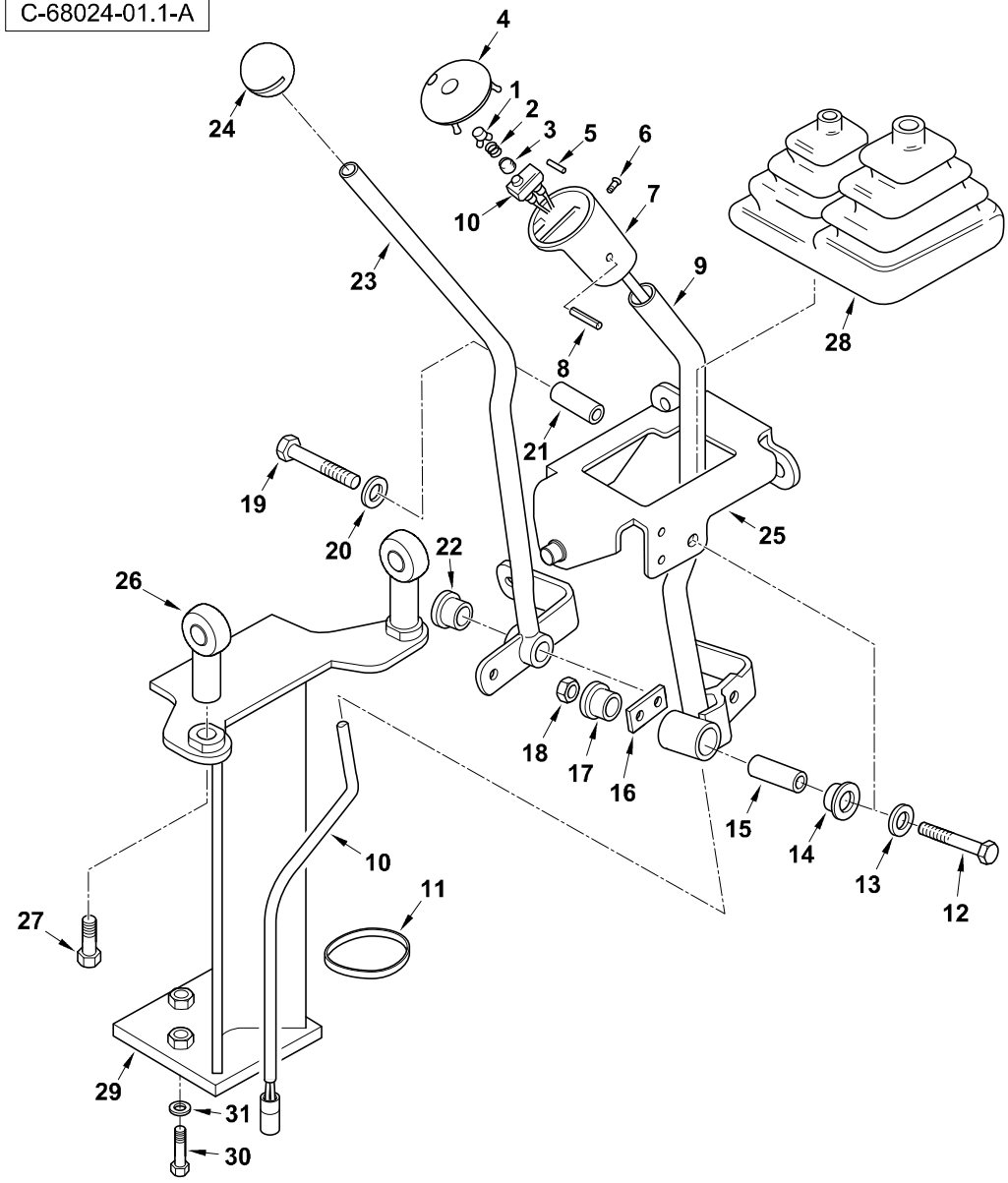


C-68024-01.1-A



Item	Part No.	Qty.	English	French	German	Spanish	Remarks
1	3521894M4	2	Button Ldr Cntls	Bouton	Knopf	Botón	
2	3520328M3	2	Spring	Siege De Ressort	Feder	Muelle	
3	3522894M1	2	Boot Control Knob	Coffre	Schutzkappe	Fuelle	
4	3522285M5	1	Knob Top Ldr Cntl	Boule	Knauf	Bola	
5	3522507M3	4	Pin Parallel	Goupille D´Arrêt	Sicherungsstift	Pasador	
6	3516886M1	2	Screw C/Sk 1/4 Lng	Vis	Schraube	Tornillo	
7	3522621M5	1	Base Control Knob	Poignée De Levier	Griff	Empuñ. Palanca	
8	3019531X1	1	Pin - Roll	Goupille Elastique	Spannhulse	Pasador Elástico	
9	6109383M91	1	Lever - Loader Control W/Assy	Levier	Hebel	Palanca, Conj.	
10	3516043M94	1	Switch And Harness - Ldr. Cont. Lever	Interrupteur	Beschirring	Haz	
11	1664405M1	1	Tie Mm T50s	Attache Cable	Kabelbinder	Enlace De Cable	
12	339159X1	1	Bolt M8-65	Boulon	Bolzen	Tornillo	
13	6108769M1	1	Washer-M8 Nord-Lock	Rondelle De Blocage	Federring M8	Arandela De Freno	
14	6106560M1	1	Bush	Douille	Buechse	Anillo	
15	6106561M3	1	Spacer-Loader Controls	Entretoise	Abstandstueck	Traviesa	
16	6106562M1	1	Plate-L/Cont. Tie Bar	Barre	Stab	Placa	
17	6106560M1	1	Bush	Douille	Buechse	Anillo	
18	394367X1	1	Nut, Hex. - Nyloc, M8	Ecrou Blocage M8	Flachmutter - M8	Tuerca De Retención	
19	339291X1	1	Bolt M8-55 Z5s	Goupille	Bolzen M8 X 55	Tornillo	
20	6108769M1	1	Washer-M8 Nord-Lock	Rondelle De Blocage	Federring M8	Arandela De Freno	
21	6106561M3	1	Spacer-Loader Controls	Entretoise	Abstandstueck	Traviesa	
22	6106560M1	2	Bush	Douille	Buechse	Anillo	
23	6109386M91	1	Lever - Clam Control W/Assy	Levier	Hebel	Palanca, Conj.	
24	3509755M2	1	Knob Yellow	Boule	Knauf	Bola	
25	6109381M91	1	Cradle - Rexroth Valve W/Assy	Berceau	Fahrschemel	Soporte	
26	6102844M1	2	Rodend-M12 Spherical	Support De Fixation	Kugelkopf, Plastik	Soporte De Fijación	
27	3009505X1	2	Hex. Bolt, M12 X 25 - Coarse	Boulon	Bolzen M12 X 25	Perno	
28	6109928M1	1	Gaiter (Black) - Loader Lever	Souf•et	Manschette	Fuelle	
29	6109802M91	1	Loader Control Column Assy	Ensemble De Support	Haltevorrichtung	Apoyadero, Conj.	
30	339009X1	3	Bolt - M8 X 35	Boulon M8 X 35	Maschschraube M8	Tornillo	

C-68024-01.1-A



Item	Part No.	Qty.	English	French	German	Spanish	Remarks
31	339374X1	3	Washer M8 -21-2 Z	Rondelle Frein - M8	Federring - M8	Arandela De Freno	



THIS PAGE INTENTIONALLY LEFT BLANK

Item	Part No.	Qty.	English	French	German	Spanish	Remarks
1	6102738M93	1	Rod Assy. - Loader Control	Ensemble Tringlerie	Gestänge	Tirantes, Conj.	
2	6102816M1	1	Pin-Clevis	Axe De Chape	Gabelstift	Eje De Brida	
3	3516322M1	1	Clip, Spring - No.8	Clip	Klips	Clip	
4	3519590M1	1	Clevis LH Thread	Chape	Gabelverbindung	Brida	
5	3518878M3	1	Washer	Rondelle	Scheibe	Arandela	
6	3519650M1	1	Nut, Hex - M8, L/H Thread	Ecrou	Mutter	Tuerca	
7	#ROD	1	Rod	Rod	Rod	Rod	
8	339169X1	1	Nut, Hex. - M8, Coarse	Ecrou Métrique	Mutter Metrisch	Tuerca	
9	6102733M1	1	Turnbuckle M8	Tendeur De Tringle	Spannschloss	Torniquete	
10	3519650M1	1	Nut, Hex - M8, L/H Thread	Ecrou	Mutter	Tuerca	
11	#ROD	1	Rod	Rod	Rod	Rod	
12	3519589M1	1	Ball-Joint	Rotule	Kugelgelenk	Rotula	
13	394367X1	1	Nut, Hex. - Nyloc, M8	Ecrou Blocage M8	Flachmutter - M8	Tuerca De Retención	
14	6102737M92	2	Rod Assy. - Loader Control	Tringle	Stange	Tirantes, Conj.	
15	3520666M1	1	Pin W/ Spring Clip	Axe De Chape	Gabelstift	Eje De Brida	
16	3519590M1	1	Clevis LH Thread	Chape	Gabelverbindung	Brida	
17	#ROD	1	Rod	Rod	Rod	Rod	Ref. 14
18	339169X1	1	Nut, Hex. - M8, Coarse	Ecrou Métrique	Mutter Metrisch	Tuerca	
19	6102733M1	1	Turnbuckle M8	Tendeur De Tringle	Spannschloss	Torniquete	
20	3519650M1	1	Nut, Hex - M8, L/H Thread	Ecrou	Mutter	Tuerca	
21	#ROD	1	Rod	Rod	Rod	Rod	Ref. 14
22	3519589M1	1	Ball-Joint	Rotule	Kugelgelenk	Rotula	
23	394367X1	2	Nut, Hex. - Nyloc, M8	Ecrou Blocage M8	Flachmutter - M8	Tuerca De Retención	
24	6109761M1	1	Spring-Ldr Control	Siège De Ressort	Federsitz	Muelle	
25	T101140	1	Loader Tower Moulding (Black)	Moulure - Tourelle	Pressling - Turm	Bordon - Torre	
26	3516856M3	1	Plate, Gaiter - Loader Controls	Plaque	Platte	Placa	
27	3521303M3	6	Fastener, Plastic - Gear Lever Gaiter	Agrafe	Halteklammer	Enganche	
28	3512552M1	3	Screw Pan Hd.M5 X 12	Vis	Schraube	Tornillo	
29	6101874M1	1	Decal-Ldr Controls 7 In 1	Adhésif	Aufkleber	Adhesivo	
30	6109325M91	1	Valve Assembly - Loader Rexroth	Ensemble Distributio	Steuerventilblock Kp	Distribuidor, Conj.	

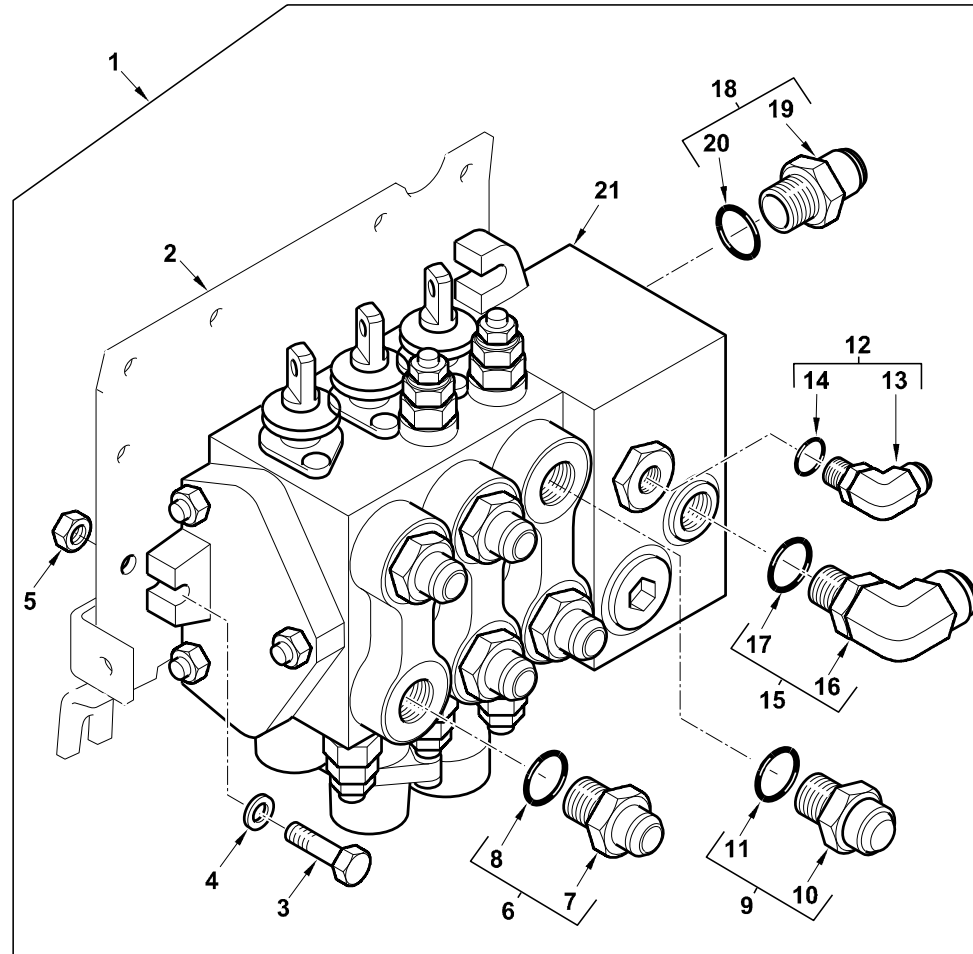


31	3009492X1	2	Bolt - Hex. M10 X 25	Boulon M10 X 25	Schraube M10 X 25	Tornillo
32	3009492X1	1	Bolt - Hex. M10 X 25	Boulon M10 X 25	Schraube M10 X 25	Tornillo
33	385362X1	1	Washer, Hardened - M10	Rondelle - M10	Unterlegscheibe M10	Arandela

THIS PAGE INTENTIONALLY LEFT BLANK



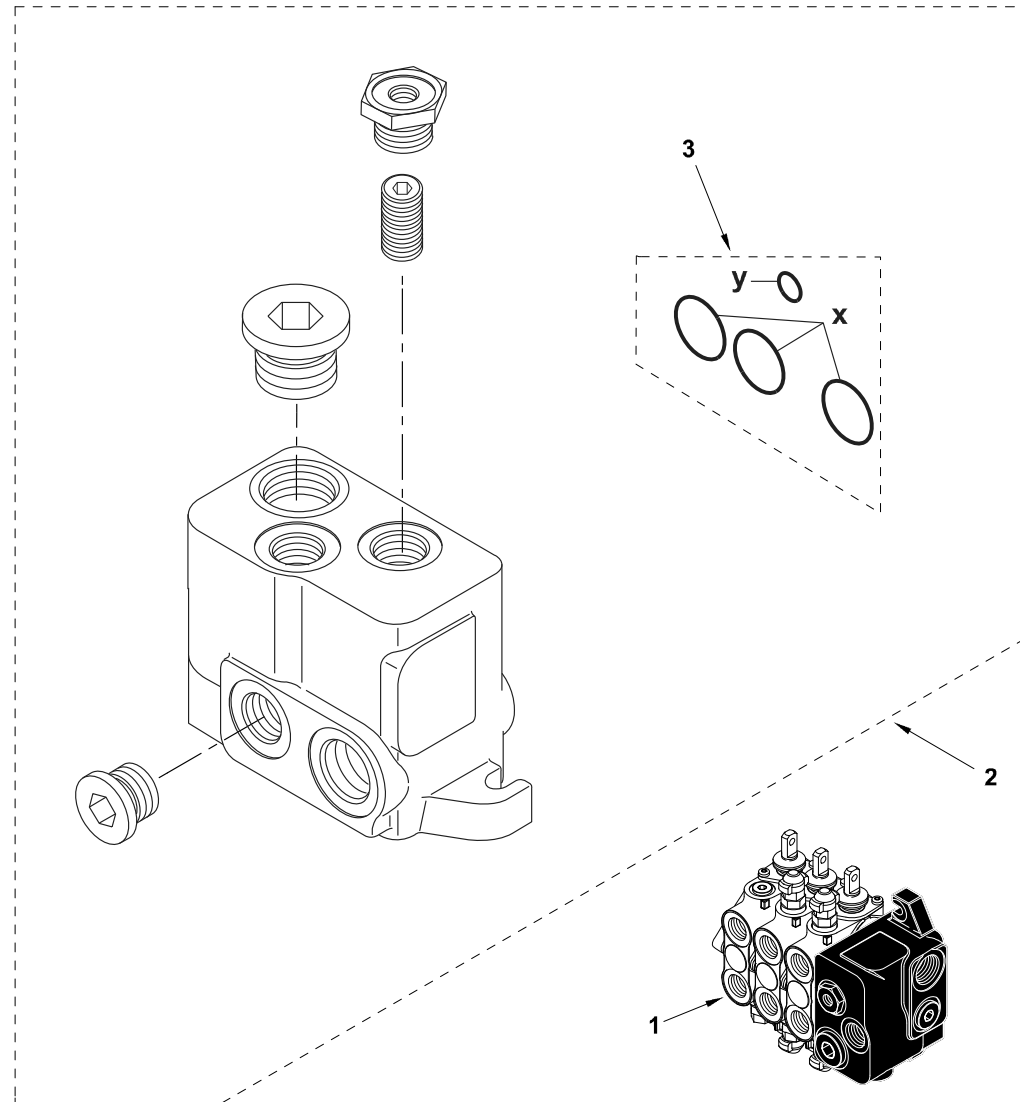
C-68024-03.1-A



Item	Part No.	Qty.	English	French	German	Spanish	Remarks
1	6109325M91	1	Valve Assembly - Loader Rexroth	Ensemble Distributio	Steuerventilblock Kp	Distribuidor, Conj.	
2	6109370M91	1	Plate - Rexroth Loader Valve W/Assy	Plaque	Platte	Placa, Conj.	
3	3009496X1	3	Bolt Hex - M10 X 45 (Coarse)	Boulon M10 X 45	Maschschraube - M10	Tornillo	
4	385362X1	3	Washer, Hardened - M10	Rondelle - M10	Unterlegscheibe M10	Arandela	
5	1440329X1	3	Nut, Hex. - Nyloc, M10	Ecrou Blocage	Flachmutter M10	Tuerca De Retención	
6	365715X91	5	Connector, Hydr.-Straight, 1 1/16 X 7/8	Borne	Doppelnippel	Conexión, Conj.	
7	#CONNECTOR	1	Connector	Connector	Connector	Connector	Ref. 6
8	835025M1	1	Ring O	Joint Torique	O Ring	Junta De Tipo O	
9	835057M91	1	Connector B1510m-12-12	Raccord	Schraubanschluss	Conexión, Conj.	
10	#CONNECTOR	1	Connector	Connector	Connector	Connector	Ref. 9
11	835025M1	1	Ring O	Joint Torique	O Ring	Junta De Tipo O	
12	357197X91	1	Elbow & O Ring	Coude	Kniestück, 90°	Codo, 90°	
13	#ELBOW	1	Elbow	Elbow	Elbow	Elbow	Ref. 12
14	831452M1	1	O Ring (Pack Of 10)	Joint Torique	O Ring	Junta De Tipo O	
15	358764X91	1	Elbow 90 Deg	Coude 90°	Kniestück, 90°	Codo, 90°	
16	#ELBOW	1	Elbow	Elbow	Elbow	Elbow	Ref. 15
17	835025M1	1	Ring O	Joint Torique	O Ring	Junta De Tipo O	
18	835014M91	1	Connector - 1 5/16" To 1 5/16"	Borne	Doppelnippel	Unión	
19	#CONNECTOR	1	Connector	Connector	Connector	Connector	Ref. 18
20	835026M1	1	O-Ring	Joint Torique	O-Ring	Junta De Tipo O	
21	6109210M91	1	Valve - Loader 3 Spool Mechanical	Ensemble Distributio	Steuerventilblock Kp	Distribuidor, Conj.	



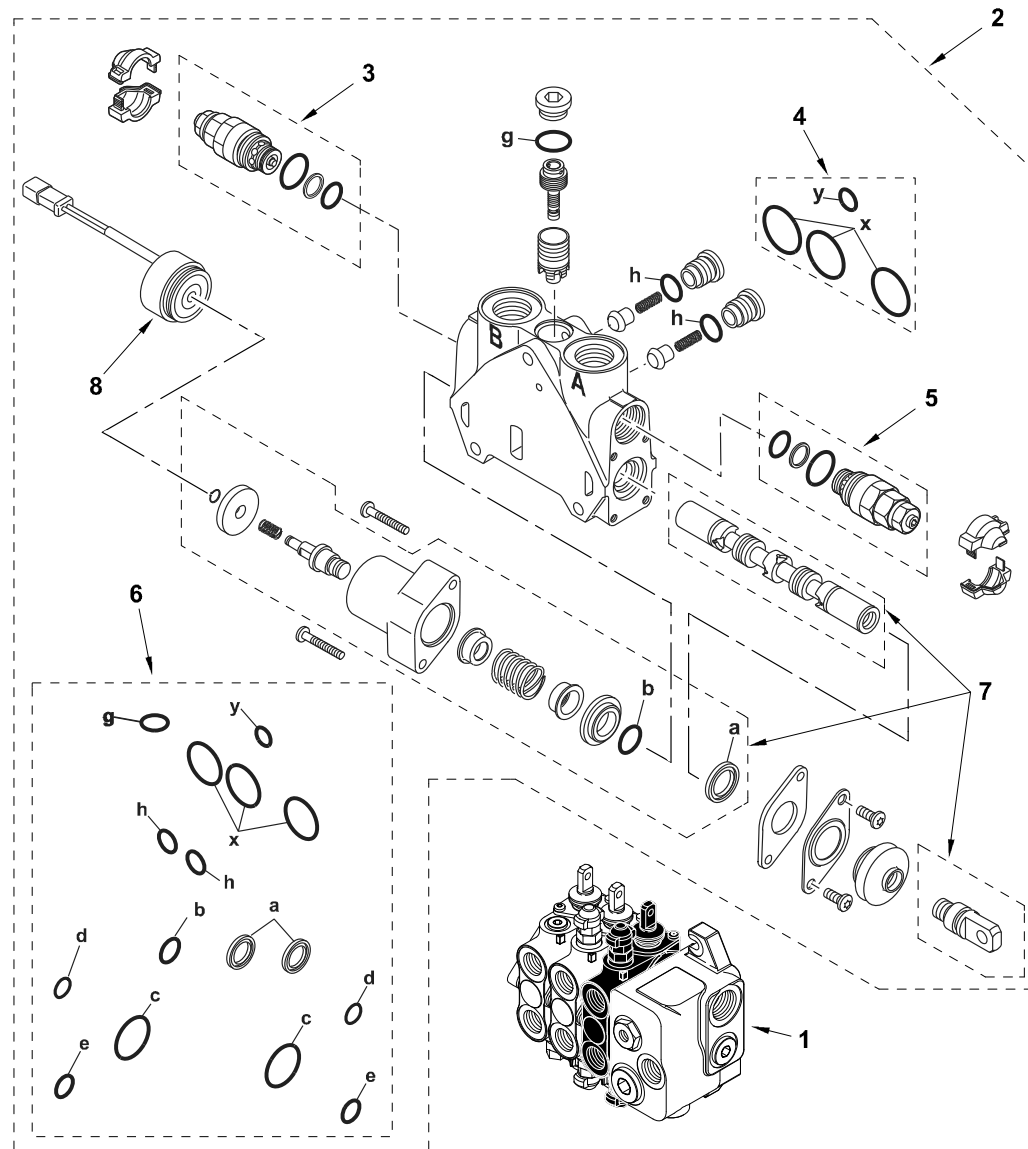
C-68024-04.1-A



Item	Part No.	Qty.	English	French	German	Spanish	Remarks
1	6109210M91	1	Valve - Loader 3 Spool Mechanical	Ensemble Distributio	Steverventilblock Kp	Distribuidor, Conj.	
2	6194535M91	1	Element - Inlet	Element - Soupape	Element - Ventil	Elemento - Válvula	Inlet
3	6193771M91	1	Seal Interface Kit	Pochette De Joints	Dichsatz	Juego De Juntas	



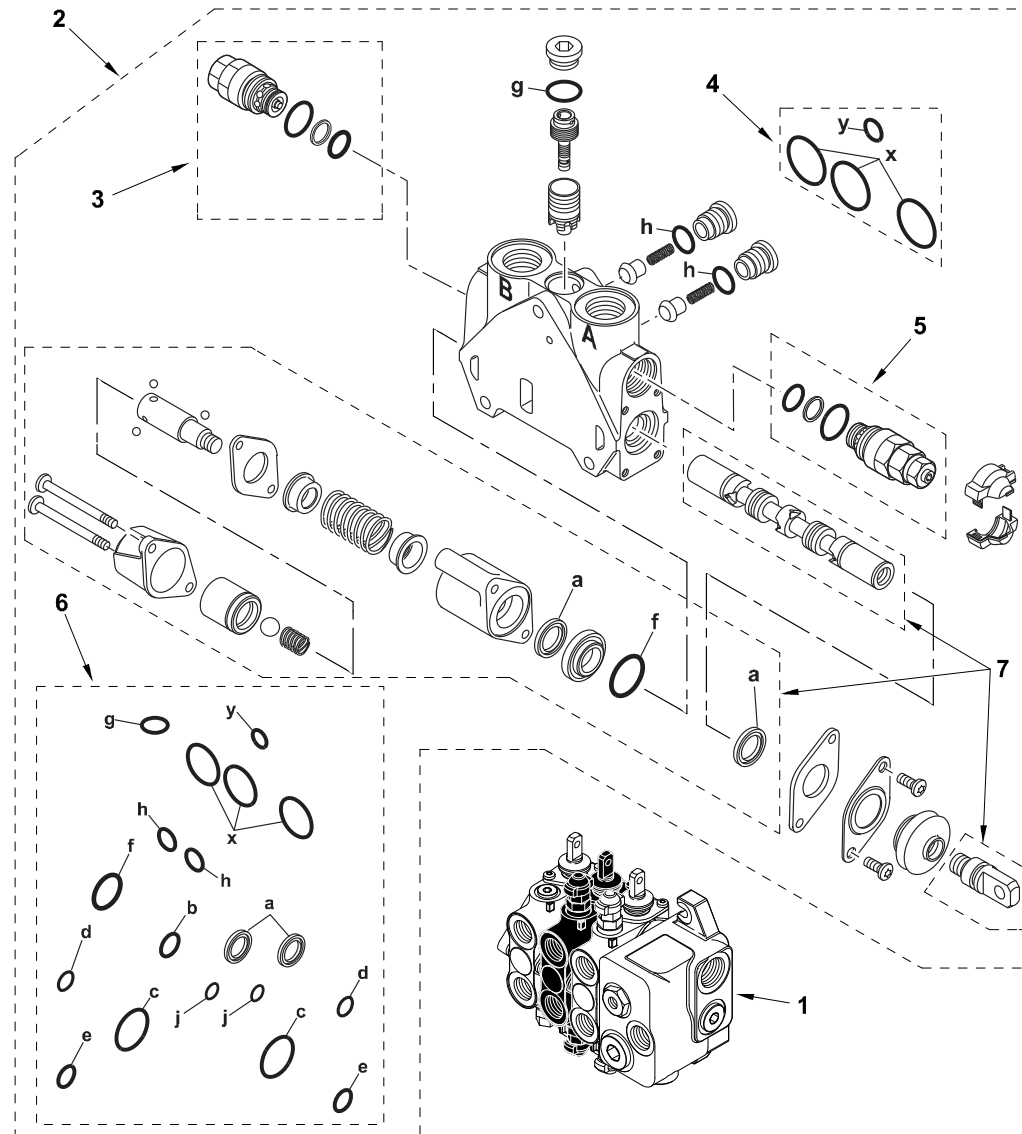
C-68024-05.1-A



Item	Part No.	Qty.	English	French	German	Spanish	Remarks
1	6109210M91	1	Valve - Loader 3 Spool Mechanical	Ensemble Distributio	Steverventilblock Kp	Distribuidor, Conj.	
2	6194531M91	1	Element - Bucket	Element - Soupape	Element - Ventil	Elemento - Válvula	
3	6193804M91	1	Pressure Relief Valve H (310 Bar)	Valve Decharge	Druckbegrventil	Válvula De Seguridad	
4	6193771M91	1	Seal Interface Kit	Pochette De Joints	Dichsatz	Juego De Juntas	
5	6193801M91	1	Pressure Relief Valve H (345 Bar)	Valve Decharge	Druckbegrventil	Válvula De Seguridad	
6	6193781M91	1	Seal Kit Complete	Jeu Etancheite	Dichtringsatz	Juege De Juntas	
7	6194835M91	1	Spool Kit (Slice - Loader Bucket)	Jeu Tiroir	Schieber Satz	Juego Carrete	
8	6195101M91	1	Solenoid Kit	Solenoide	Magnetspule	Solenoide, Conj.	



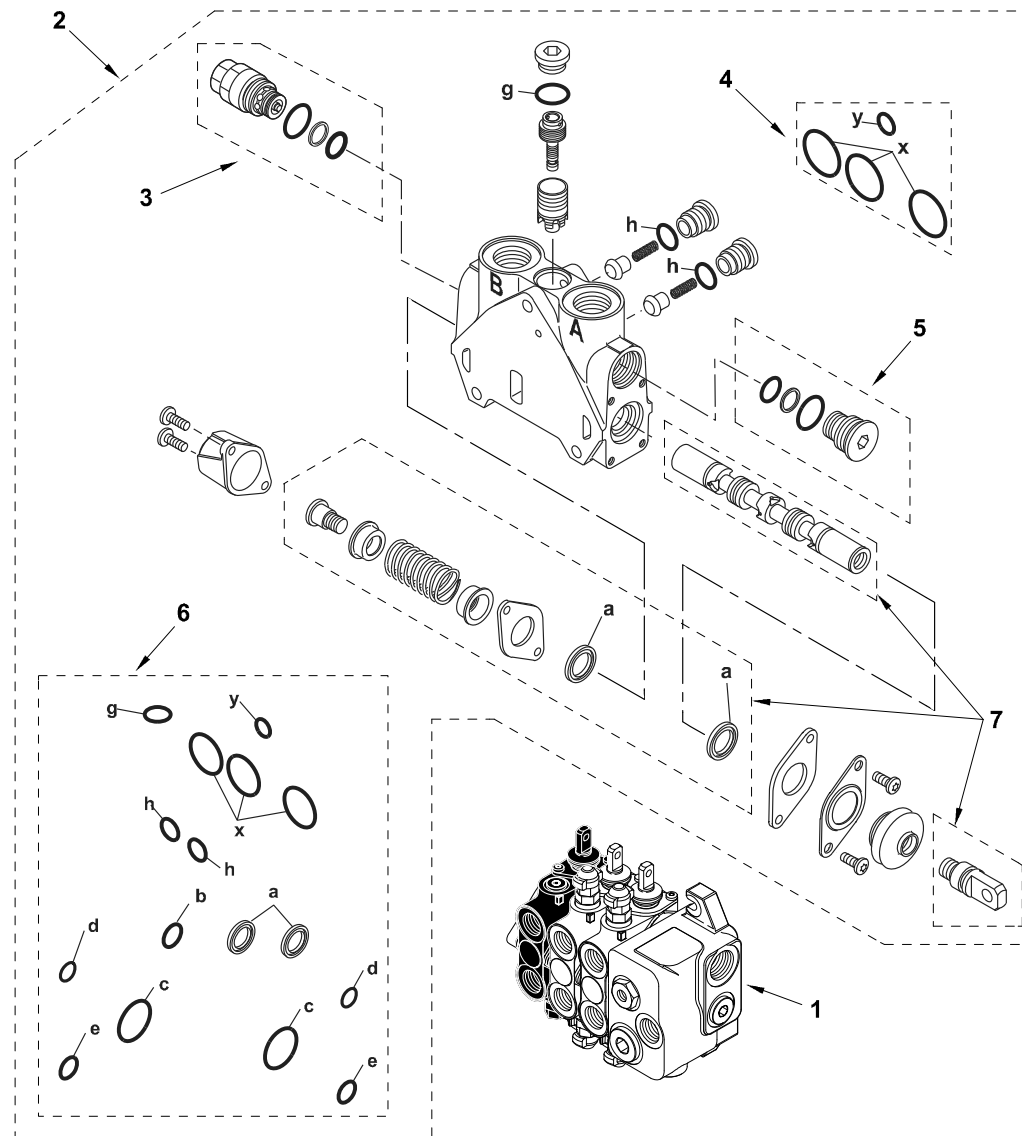
C-68024-06.1-A



Item	Part No.	Qty.	English	French	German	Spanish	Remarks
1	6109210M91	1	Valve - Loader 3 Spool Mechanical	Ensemble Distributio	Steverventilblock Kp	Distribuidor, Conj.	Continued
2	6194532M91	1	Element - Dipper	Element - Soupape	Element - Ventil	Elemento - Válvula	
3	6193782M91	1	Anti-Cavitation Valve E Port B	Ensemble De Soupape	Ventil Kpl.	Válvula, Conj.	
4	6193771M91	1	Seal Interface Kit	Pochette De Joints	Dichsatz	Juego De Juntas	
5	6193800M91	1	Pressure Relief Valve H 240 Bar	Valve Decharge	Druckbegrventil	Válvula De Seguridad	
6	6194518M91	1	Seal Kit	Jeu Etancheite	Dichtringsatz	Juego De Juntas	
7	6194836M91	1	Spool Kit (Slice - Loader Arm)	Jeu Tiroir	Schieber Satz	Juego Carrete	



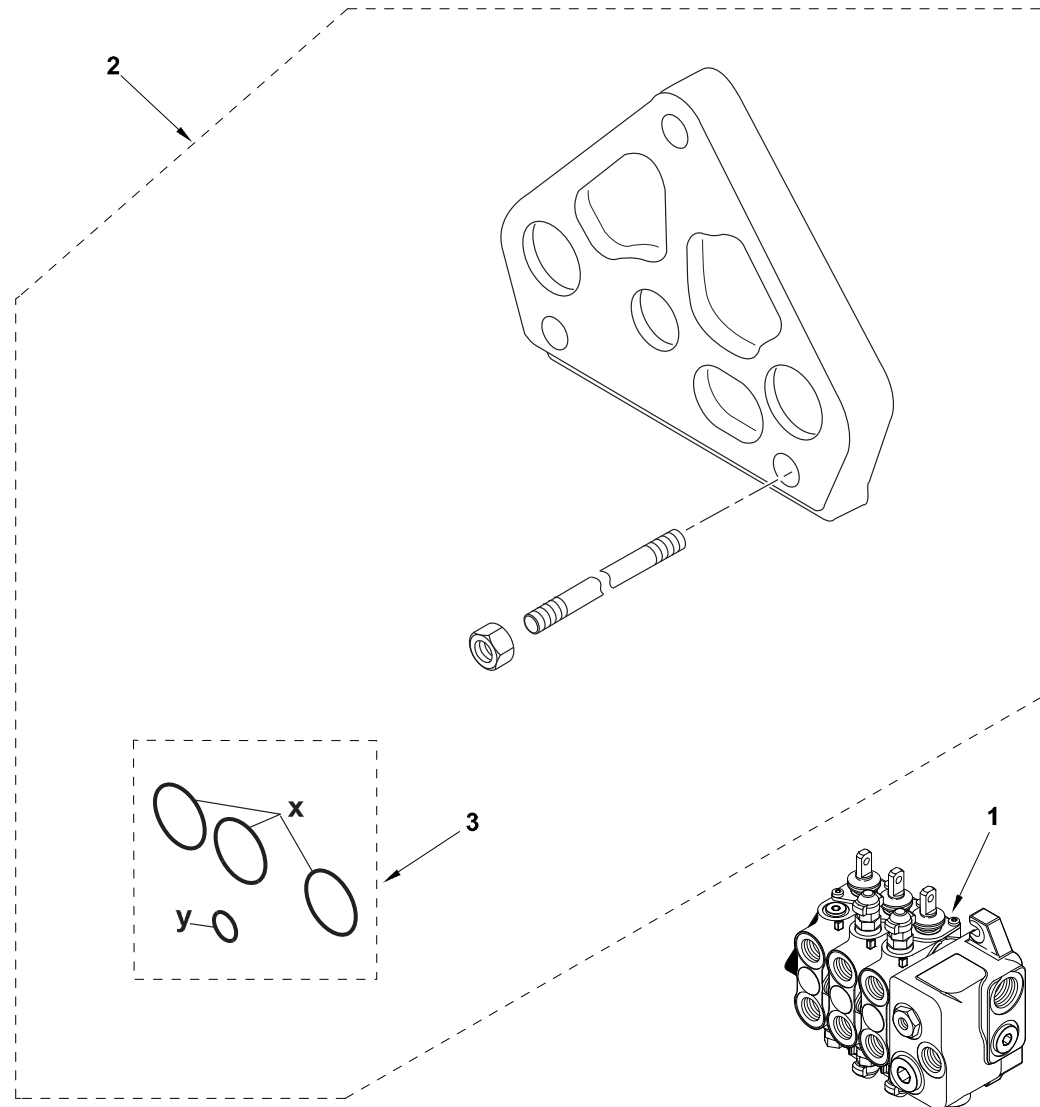
C-68024-07.1-A



Item	Part No.	Qty.	English	French	German	Spanish	Remarks
1	6109210M91	1	Valve - Loader 3 Spool Mechanical	Ensemble Distributio	Steverventilblock Kp	Distribuidor, Conj.	
2	6194533M91	1	Element - 4 X 1	Element - Soupape	Element - Ventil	Elemento - Válvula	
3	6193782M91	1	Anti-Cavitation Valve E Port B	Ensemble De Soupape	Ventil Kpl.	Válvula, Conj.	
4	6193771M91	1	Seal Interface Kit	Pochette De Joints	Dichsatz	Juego De Juntas	
5	6193785M91	1	Plug Q - Port B	Bouchon	Stopfen	Tapón, Conj.	
6	6193791M91	1	Seal Kit - L/S Valve	Jeu Étanchéité	Dichtringsatz	Juego De Juntas	
7	6194828M91	1	Spool Kit (Slice - Bucket 4 In 1 Loader)	Jeu Tiroir	Schieber Satz	Juego Carrete	

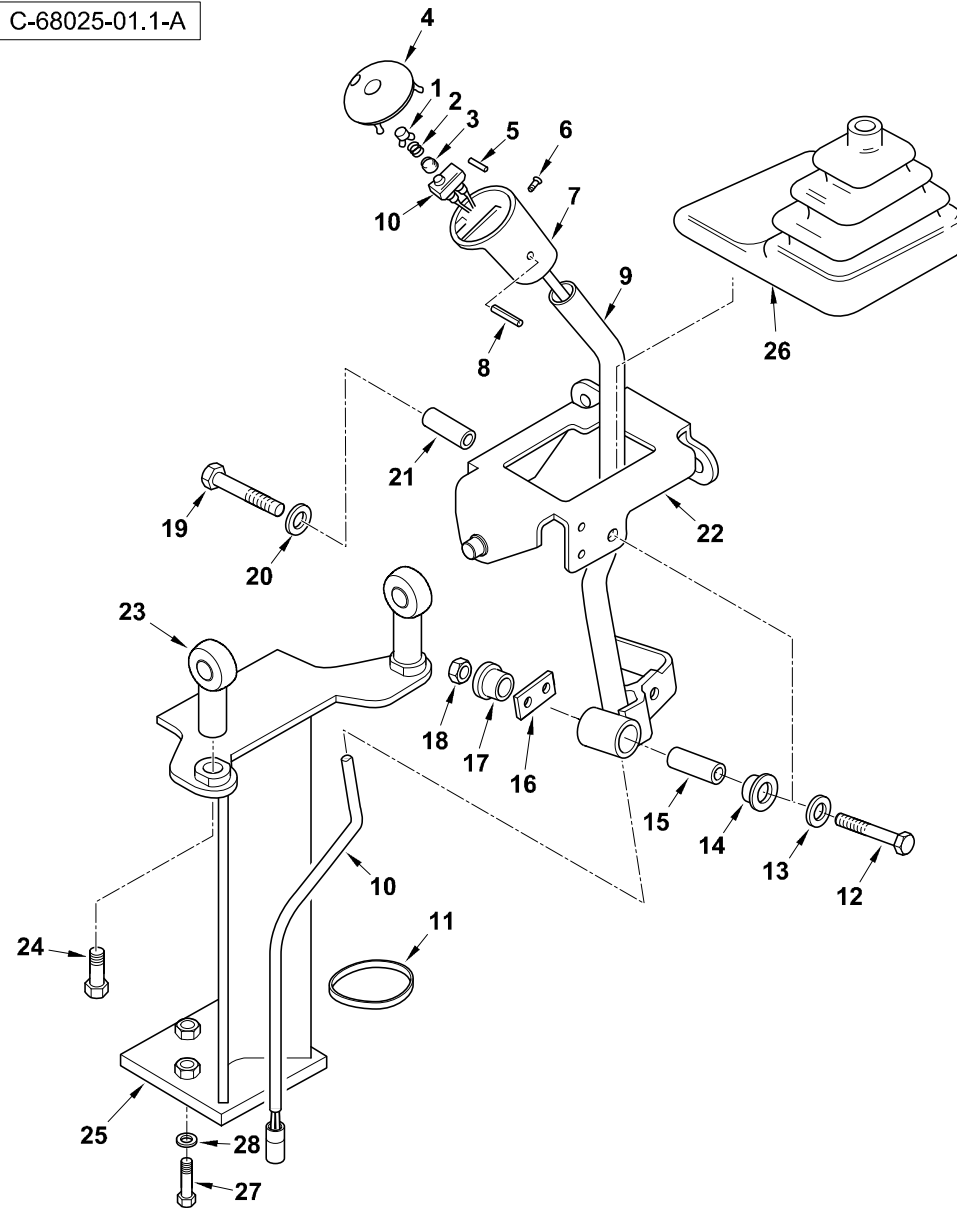


C-68024-08.1-A



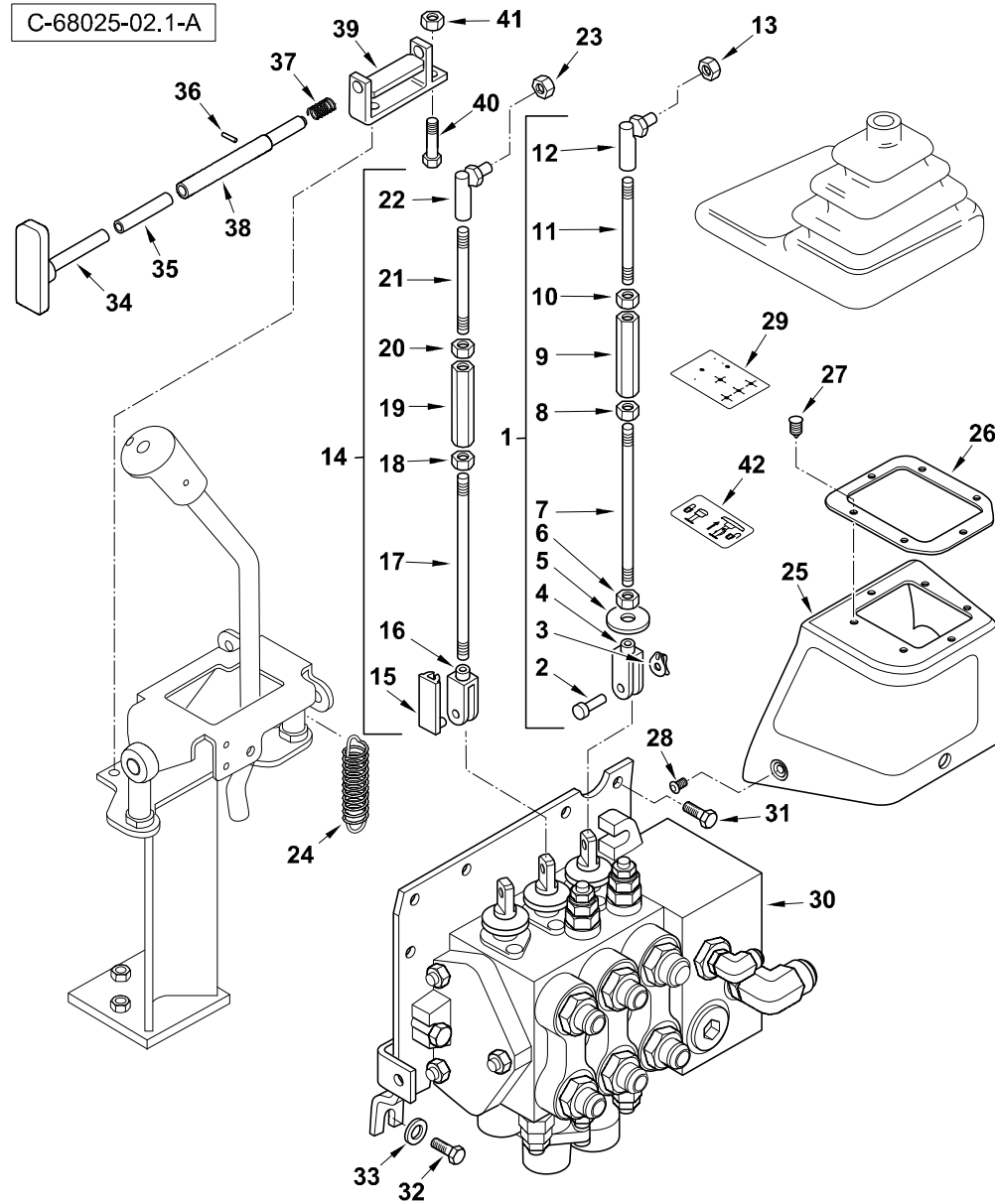
Item	Part No.	Qty.	English	French	German	Spanish	Remarks
1	6109210M91	1	Valve - Loader 3 Spool Mechanical	Ensemble Distributio	Steverventilblock Kp	Distribuidor, Conj.	
2	6194517M91	1	Element - Outlet	Element - Soupape	Element - Ventil	Elemento - Válvula	
3	6193771M91	1	Seal Interface Kit	Pochette De Joints	Dichsatz	Juego De Juntas	

C-68025-01.1-A



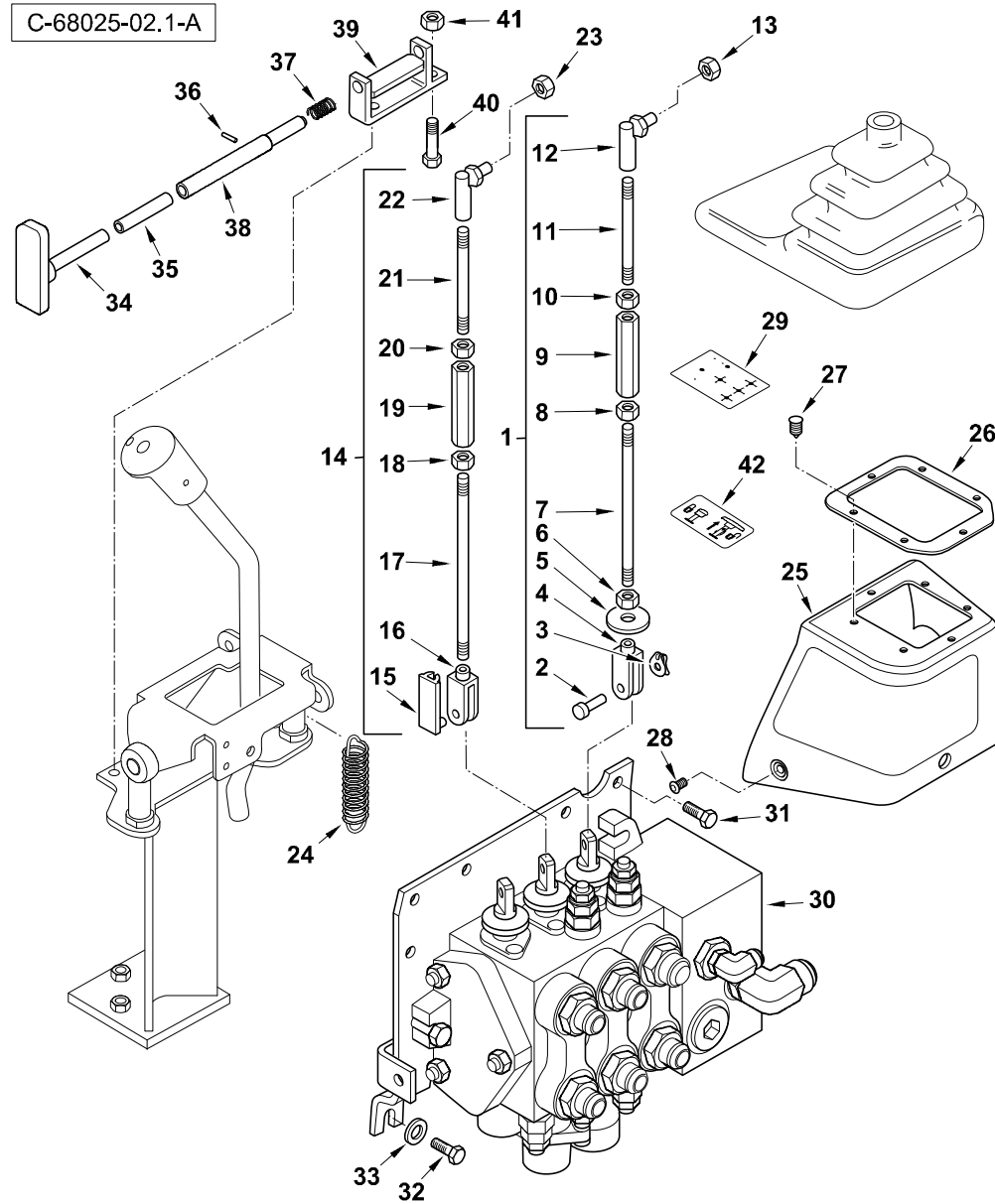
Item	Part No.	Qty.	English	French	German	Spanish	Remarks
1	3521894M4	2	Button Ldr Cntls	Bouton	Knopf	Botón	
2	3520328M3	2	Spring	Siege De Ressort	Feder	Muelle	
3	3522894M1	2	Boot Control Knob	Coffre	Schutzkappe	Fuelle	
4	3522285M5	1	Knob Top Ldr Cntl	Boule	Knauf	Bola	
5	3522507M3	4	Pin Parallel	Goupille D´Arrêt	Sicherungsstift	Pasador	
6	3516886M1	2	Screw C/Sk 1/4 Lng	Vis	Schraube	Tornillo	
7	3522621M5	1	Base Control Knob	Poignée De Levier	Griff	Empuñ. Palanca	
8	3019531X1	1	Pin - Roll	Goupille Elastique	Spannhulse	Pasador Elástico	
9	6109383M91	1	Lever - Loader Control W/Assy	Levier	Hebel	Palanca, Conj.	
10	3516043M94	1	Switch And Harness - Ldr. Cont. Lever	Interrupteur	Beschirrung	Haz	
11	1664405M1	1	Tie Mm T50s	Attache Cable	Kabelbinder	Enlace De Cable	
12	339159X1	1	Bolt M8-65	Boulon	Bolzen	Tornillo	
13	6108769M1	1	Washer-M8 Nord-Lock	Rondelle De Blocage	Federring M8	Arandela De Freno	
14	6106560M1	1	Bush	Douille	Buechse	Anillo	
15	6106561M3	1	Spacer-Loader Controls	Entretoise	Abstandstueck	Traviesa	
16	6106562M1	1	Plate-L/Cont. Tie Bar	Barre	Stab	Placa	
17	6106560M1	1	Bush	Douille	Buechse	Anillo	
18	394367X1	1	Nut, Hex. - Nyloc, M8	Ecrou Blocage M8	Flachmutter - M8	Tuerca De Retención	
19	339291X1	1	Bolt M8-55 Z5s	Goupille	Bolzen M8 X 55	Tornillo	
20	6108769M1	1	Washer-M8 Nord-Lock	Rondelle De Blocage	Federring M8	Arandela De Freno	
21	6106561M3	1	Spacer-Loader Controls	Entretoise	Abstandstueck	Traviesa	
22	6109381M91	1	Cradle - Rexroth Valve W/Assy	Berceau	Fahrschemel	Soporte	
23	6102844M1	2	Rodend-M12 Spherical	Support De Fixation	Kugelkopf, Plastik	Soporte De Fijación	
24	3009505X1	2	Hex. Bolt, M12 X 25 - Coarse	Boulon	Bolzen M12 X 25	Perno	
25	6109802M91	1	Loader Control Column Assy	Ensemble De Support	Haltevorrichtung	Apoyadero, Conj.	
26	6109927M1	1	Gaiter (Black) - Loader Lever	Souf•et	Manschette	Fuelle	
27	339009X1	3	Bolt - M8 X 35	Boulon M8 X 35	Maschschraube M8	Tornillo	
28	339374X1	3	Washer M8 -21-2 Z	Rondelle Frein - M8	Federring - M8	Arandela De Freno	





Item	Part No.	Qty.	English	French	German	Spanish	Remarks
1	6102738M93	1	Rod Assy. - Loader Control	Ensemble Tringlerie	Gestänge	Tirantes, Conj.	
2	6102816M1	1	Pin-Clevis	Axe De Chape	Gabelstift	Eje De Brida	
3	3516322M1	1	Clip, Spring - No.8	Clip	Klips	Clip	
4	3519590M1	1	Clevis LH Thread	Chape	Gabelverbindung	Brida	
5	3518878M3	1	Washer	Rondelle	Scheibe	Arandela	
6	3519650M1	1	Nut, Hex - M8, L/H Thread	Ecrou	Mutter	Tuerca	
7	#ROD	1	Rod	Rod	Rod	Rod	Ref. 1
8	339169X1	1	Nut, Hex. - M8, Coarse	Ecrou Métrique	Mutter Metrisch	Tuerca	
9	6102733M1	1	Turnbuckle M8	Tendeur De Tringle	Spannschloss	Torniquete	
10	3519650M1	1	Nut, Hex - M8, L/H Thread	Ecrou	Mutter	Tuerca	
11	#ROD	1	Rod	Rod	Rod	Rod	Ref. 1
12	3519589M1	1	Ball-Joint	Rotule	Kugelgelenk	Rotula	
13	394367X1	1	Nut, Hex. - Nyloc, M8	Ecrou Blocage M8	Flachmutter - M8	Tuerca De Retención	
14	6102737M92	1	Rod Assy. - Loader Control	Tringle	Stange	Tirantes, Conj.	
15	3520666M1	1	Pin W/ Spring Clip	Axe De Chape	Gabelstift	Eje De Brida	
16	3519590M1	1	Clevis LH Thread	Chape	Gabelverbindung	Brida	
17	#ROD	1	Rod	Rod	Rod	Rod	Ref. 14
18	339169X1	1	Nut, Hex. - M8, Coarse	Ecrou Métrique	Mutter Metrisch	Tuerca	
19	6102733M1	1	Turnbuckle M8	Tendeur De Tringle	Spannschloss	Torniquete	
20	3519650M1	1	Nut, Hex - M8, L/H Thread	Ecrou	Mutter	Tuerca	
21	#ROD	1	Rod	Rod	Rod	Rod	Ref. 14
22	3519589M1	1	Ball-Joint	Rotule	Kugelgelenk	Rotula	
23	394367X1	1	Nut, Hex. - Nyloc, M8	Ecrou Blocage M8	Flachmutter - M8	Tuerca De Retención	
24	6109761M1	1	Spring-Ldr Control	Siège De Ressort	Federsitz	Muelle	
25	T101141	1	Loader Tower Moulding (Black)	Moulure - Tourelle	Pressling - Turm	Bordon - Torre	
26	3516856M3	1	Plate, Gaiter - Loader Controls	Plaque	Platte	Placa	
27	3521303M3	6	Fastener, Plastic - Gear Lever Gaiter	Agrafe	Halteklammer	Enganche	
28	3512552M1	3	Screw Pan Hd.M5 X 12	Vis	Schraube	Tornillo	
29	6101873M1	1	Decal-Ldr Controls Std	Adhésif	Aufkleber	Adhesivo	
30	6109325M91	1	Valve Assembly - Loader Rexroth	Ensemble Distributio	Steuerventilblock Kp	Distribuidor, Conj.	

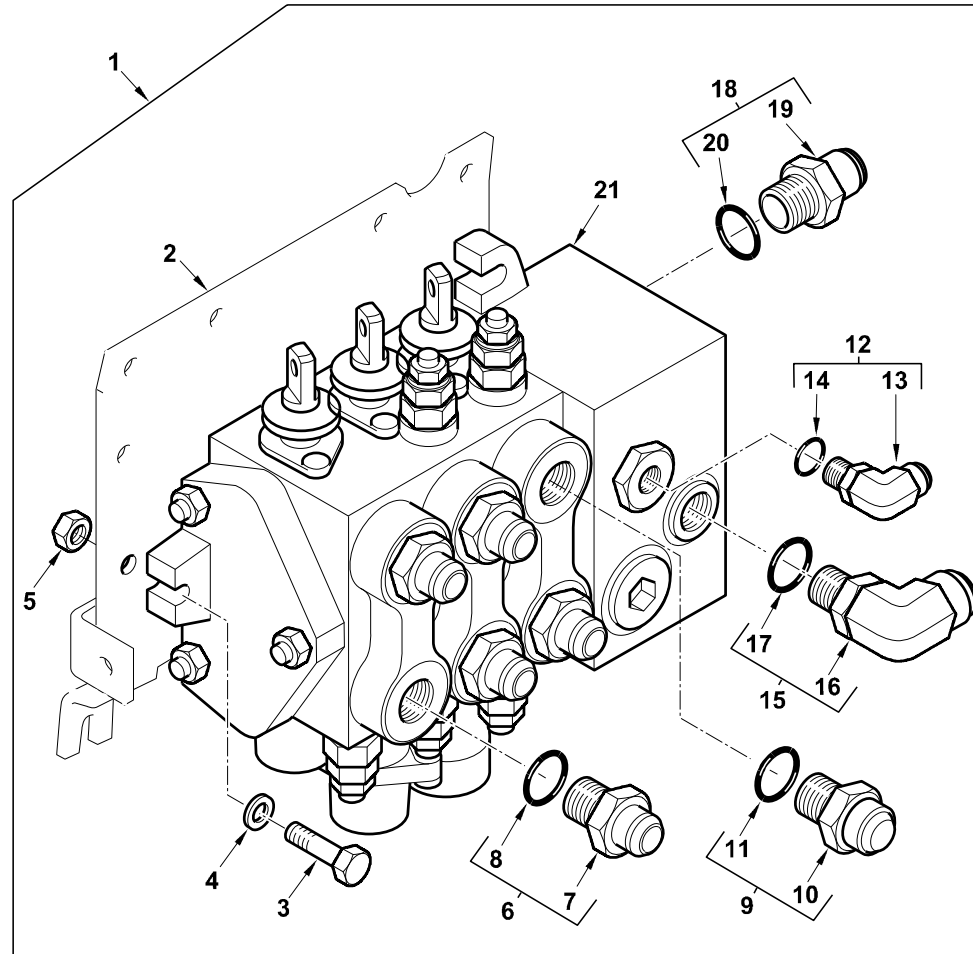




Item	Part No.	Qty.	English	French	German	Spanish	Remarks
31	3009492X1	2	Bolt - Hex. M10 X 25	Boulon M10 X 25	Schraube M10 X 25	Tornillo	
32	3009492X1	1	Bolt - Hex. M10 X 25	Boulon M10 X 25	Schraube M10 X 25	Tornillo	
33	385362X1	1	Washer, Hardened - M10	Rondelle - M10	Unterlegscheibe M10	Arandela	
34	6101939M91	1	Handle-T Assy	Poignée	Handgriff	Asa	
35	6101938M1	1	Spacer-Tube	Entretoise	Distanzstück	Traviesa	
36	1441736X1	1	Pin Spirol 5-26	Goupille D´Arrêt	Klappstecker	Pasador Elástico	
37	3516136M2	1	Spring	Siège De Ressort	Federsitz	Muelle	
38	3519365M1	1	Rod Locking	Tringle	Stange	Vástago	
39	6108293M92	1	Bracket Assy Loader Control	Patte Fixation	Halter	Cuchara, Conj.	
40	339666X1	2	Bolt M6-20 Z5f	Boulon M6 X 20	Maschschraube Metr M	Tornillo	
41	1441500X1	2	Nut M6 Z5 Nyloc	Ecrou	Flachmutter M6	Tuerca De Retención	
42	6101872M1	1	Decal - Loader Lever Lock	Adhésif	Aufkleber	Adhesivo	



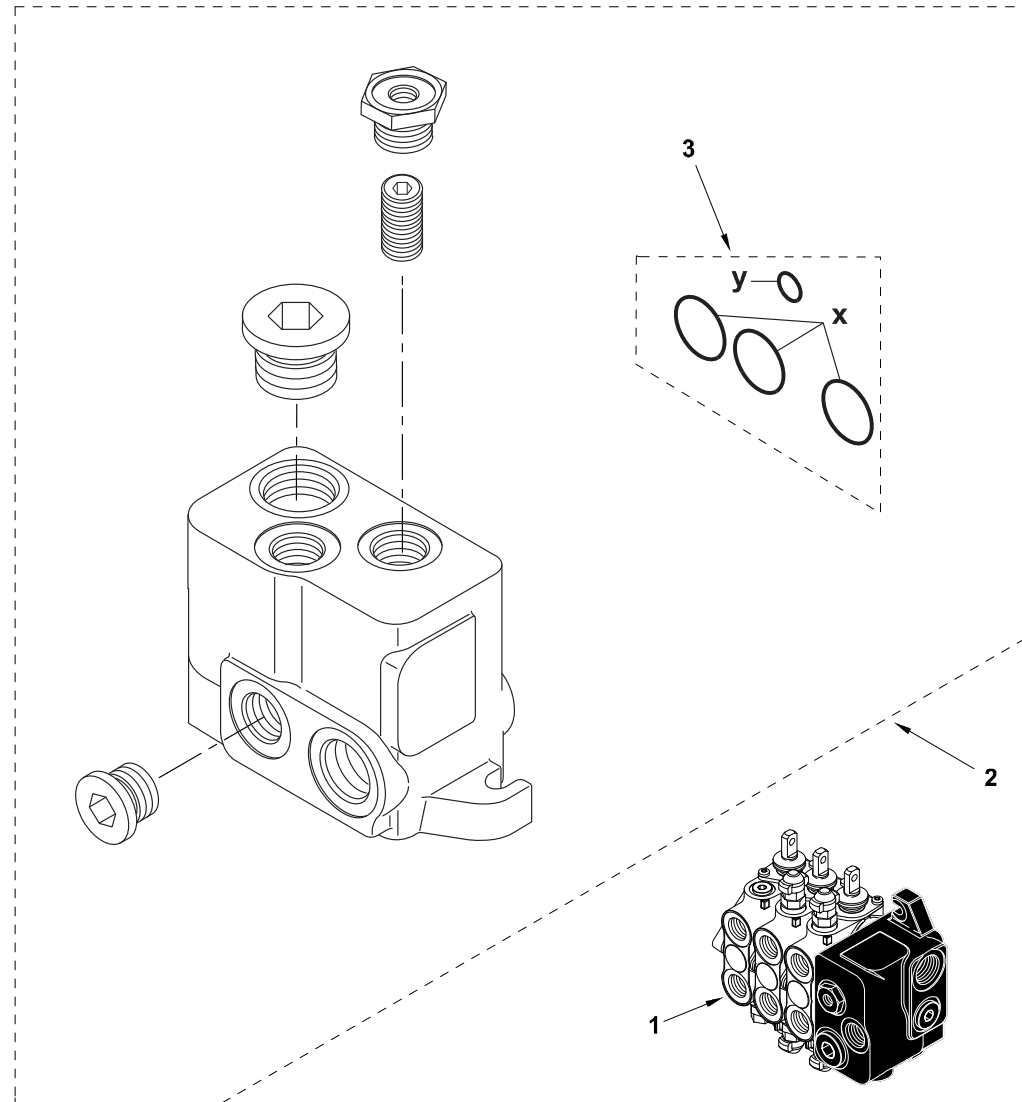
C-68025-03.1-A



Item	Part No.	Qty.	English	French	German	Spanish	Remarks
1	6109325M91	1	Valve Assembly - Loader Rexroth	Ensemble Distributio	Steuerventilblock Kp	Distribuidor, Conj.	
2	6109370M91	1	Plate - Rexroth Loader Valve W/Assy	Plaque	Platte	Placa, Conj.	
3	3009496X1	3	Bolt Hex - M10 X 45 (Coarse)	Boulon M10 X 45	Maschschraube - M10	Tornillo	
4	385362X1	3	Washer, Hardened - M10	Rondelle - M10	Unterlegscheibe M10	Arandela	
5	1440329X1	3	Nut, Hex. - Nyloc, M10	Ecrou Blocage	Flachmutter M10	Tuerca De Retención	
6	365715X91	5	Connector, Hydr.-Straight, 1 1/16 X 7/8	Borne	Doppelnippel	Conexión, Conj.	
7	#CONNECTOR	1	Connector	Connector	Connector	Connector	Ref. 6
8	835025M1	1	Ring O	Joint Torique	O Ring	Junta De Tipo O	
9	835057M91	1	Connector B1510m-12-12	Raccord	Schraubanschluss	Conexión, Conj.	
10	#CONNECTOR	1	Connector	Connector	Connector	Connector	Ref. 9
11	835025M1	1	Ring O	Joint Torique	O Ring	Junta De Tipo O	
12	357197X91	1	Elbow & O Ring	Coude	Kniestück, 90°	Codo, 90°	
13	#ELBOW	1	Elbow	Elbow	Elbow	Elbow	Ref. 12
14	831452M1	1	O Ring (Pack Of 10)	Joint Torique	O Ring	Junta De Tipo O	
15	358764X91	1	Elbow 90 Deg	Coude 90°	Kniestück, 90°	Codo, 90°	
16	#ELBOW	1	Elbow	Elbow	Elbow	Elbow	Ref. 15
17	835025M1	1	Ring O	Joint Torique	O Ring	Junta De Tipo O	
18	835014M91	1	Connector - 1 5/16" To 1 5/16"	Borne	Doppelnippel	Unión	
19	#CONNECTOR	1	Connector	Connector	Connector	Connector	Ref. 18
20	835026M1	1	O-Ring	Joint Torique	O-Ring	Junta De Tipo O	
21	6109210M91	1	Valve - Loader 3 Spool Mechanical	Ensemble Distributio	Steuerventilblock Kp	Distribuidor, Conj.	



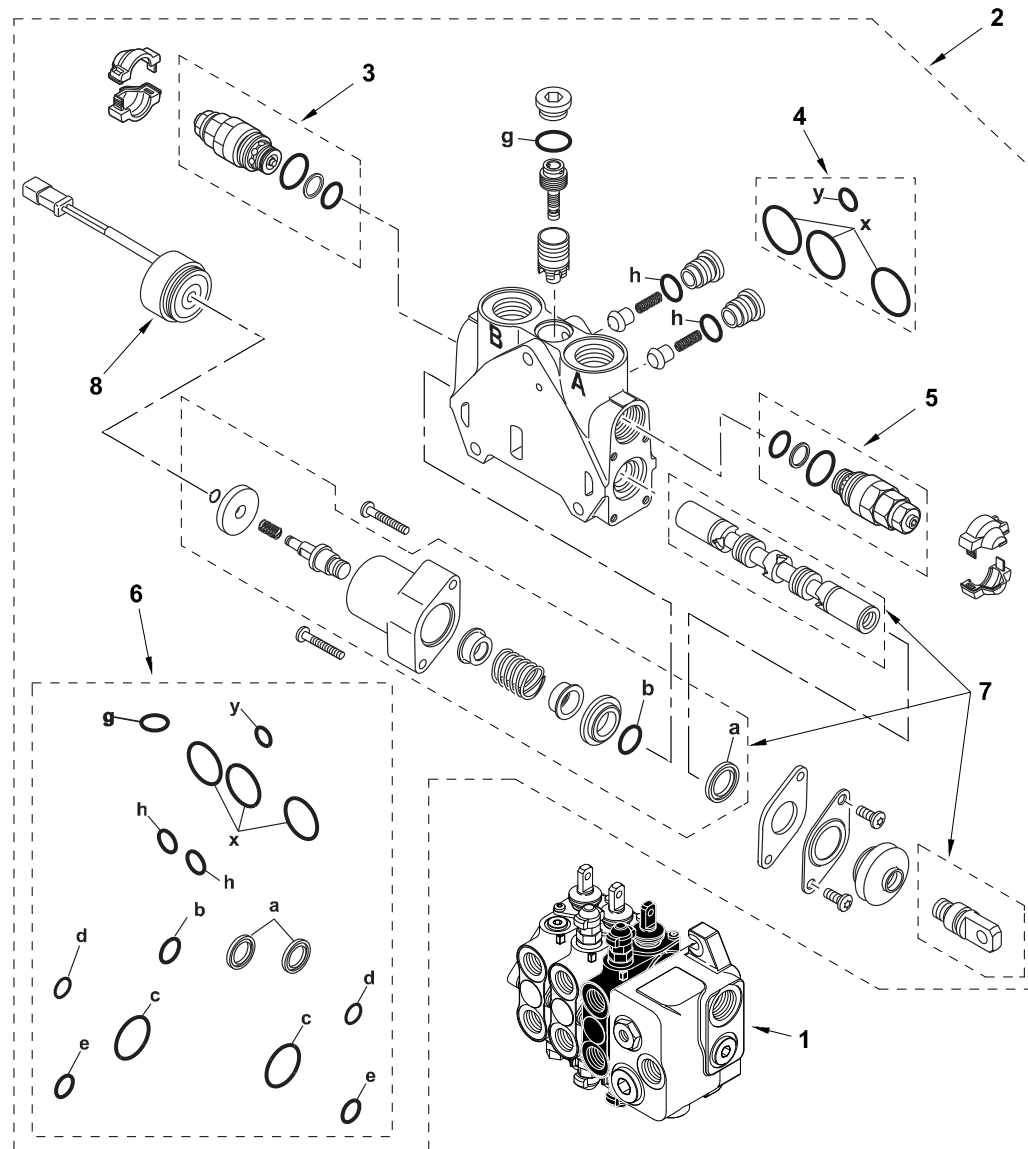
C-68025-04.1-A



Item	Part No.	Qty.	English	French	German	Spanish	Remarks
1	6109210M91	1	Valve - Loader 3 Spool Mechanical	Ensemble Distributio	Steverventilblock Kp	Distribuidor, Conj.	
2	6194535M91	1	Element - Inlet	Element - Soupape	Element - Ventil	Elemento - Válvula	Inlet
3	6193771M91	1	Seal Interface Kit	Pochette De Joints	Dichsatz	Juego De Juntas	



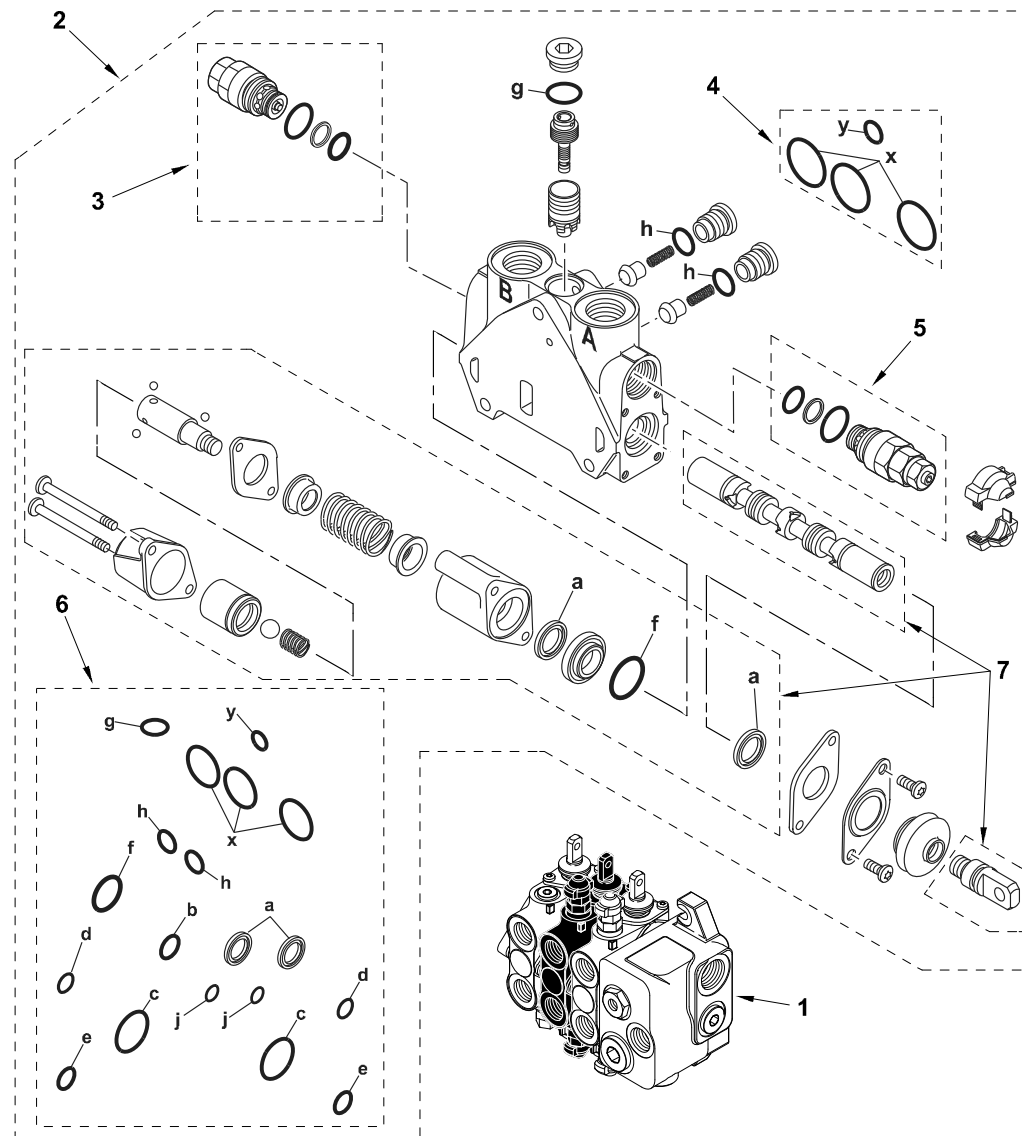
C-68025-05.1-A



Item	Part No.	Qty.	English	French	German	Spanish	Remarks
1	6109210M91	1	Valve - Loader 3 Spool Mechanical	Ensemble Distributio	Steverventilblock Kp	Distribuidor, Conj.	
2	6194531M91	1	Element - Bucket	Element - Soupape	Element - Ventil	Elemento - Válvula	
3	6193804M91	1	Pressure Relief Valve H (310 Bar)	Valve Decharge	Druckbegrventil	Válvula De Seguridad	
4	6193771M91	1	Seal Interface Kit	Pochette De Joints	Dichsatz	Juego De Juntas	
5	6193801M91	1	Pressure Relief Valve H (345 Bar)	Valve Decharge	Druckbegrventil	Válvula De Seguridad	
6	6193781M91	1	Seal Kit Complete	Jeu Etancheite	Dichtringsatz	Juege De Juntas	
7	6194835M91	1	Spool Kit (Slice - Loader Bucket)	Jeu Tiroir	Schieber Satz	Juego Carrete	
8	6195101M91	1	Solenoid Kit	Solenoide	Magnetspule	Solenoide, Conj.	



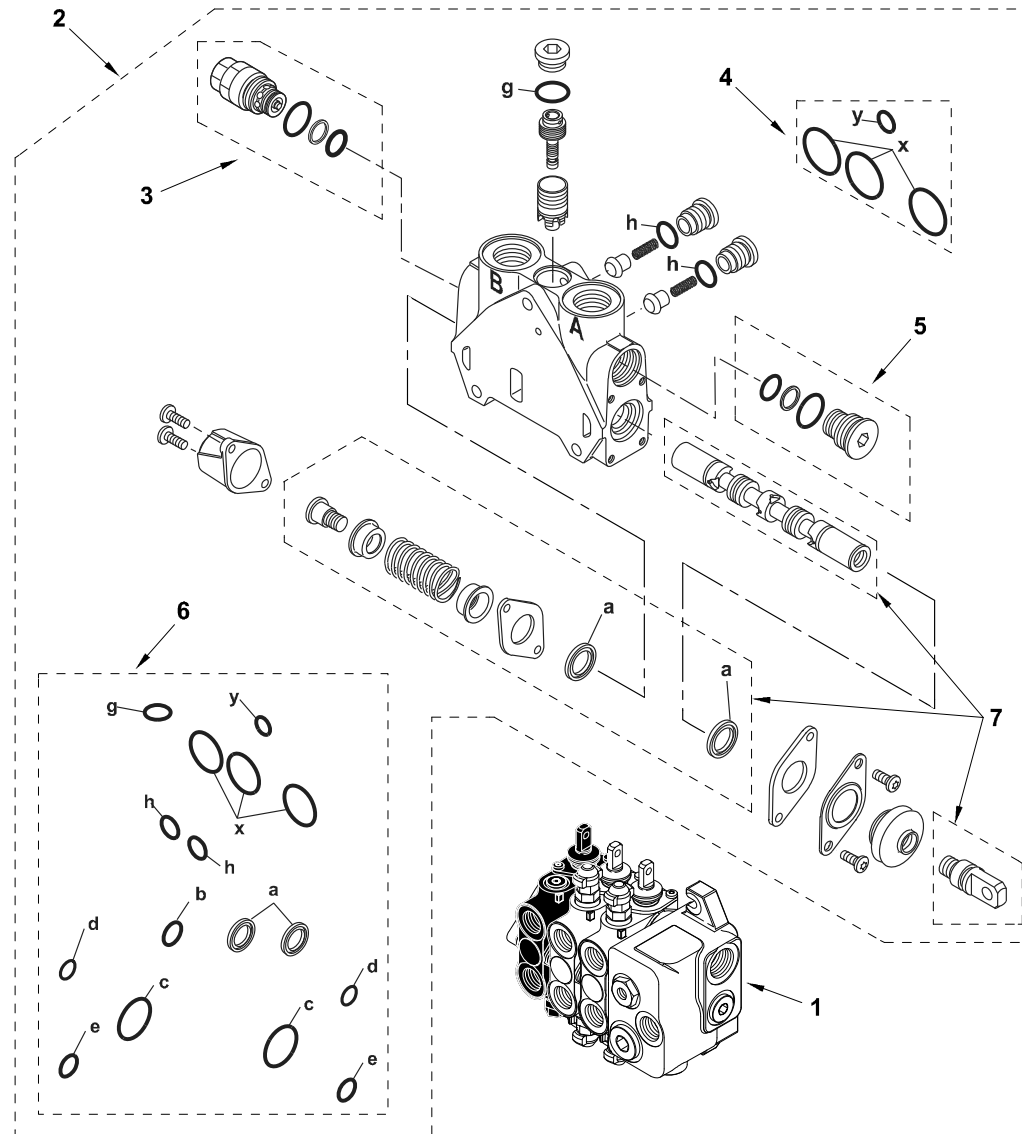
C-68025-06.1-A



Item	Part No.	Qty.	English	French	German	Spanish	Remarks
1	6109210M91	1	Valve - Loader 3 Spool Mechanical	Ensemble Distributio	Steverventilblock Kp	Distribuidor, Conj.	Continued
2	6194532M91	1	Element - Dipper	Element - Soupape	Element - Ventil	Elemento - Válvula	
3	6193782M91	1	Anti-Cavitation Valve E Port B	Ensemble De Soupape	Ventil Kpl.	Válvula, Conj.	
4	6193771M91	1	Seal Interface Kit	Pochette De Joints	Dichsatz	Juego De Juntas	
5	6193800M91	1	Pressure Relief Valve H 240 Bar	Valve Decharge	Druckbegrventil	Válvula De Seguridad	
6	6194518M91	1	Seal Kit	Jeu Etancheite	Dichtringsatz	Juego De Juntas	
7	6194836M91	1	Spool Kit (Slice - Loader Arm)	Jeu Tiroir	Schieber Satz	Juego Carrete	



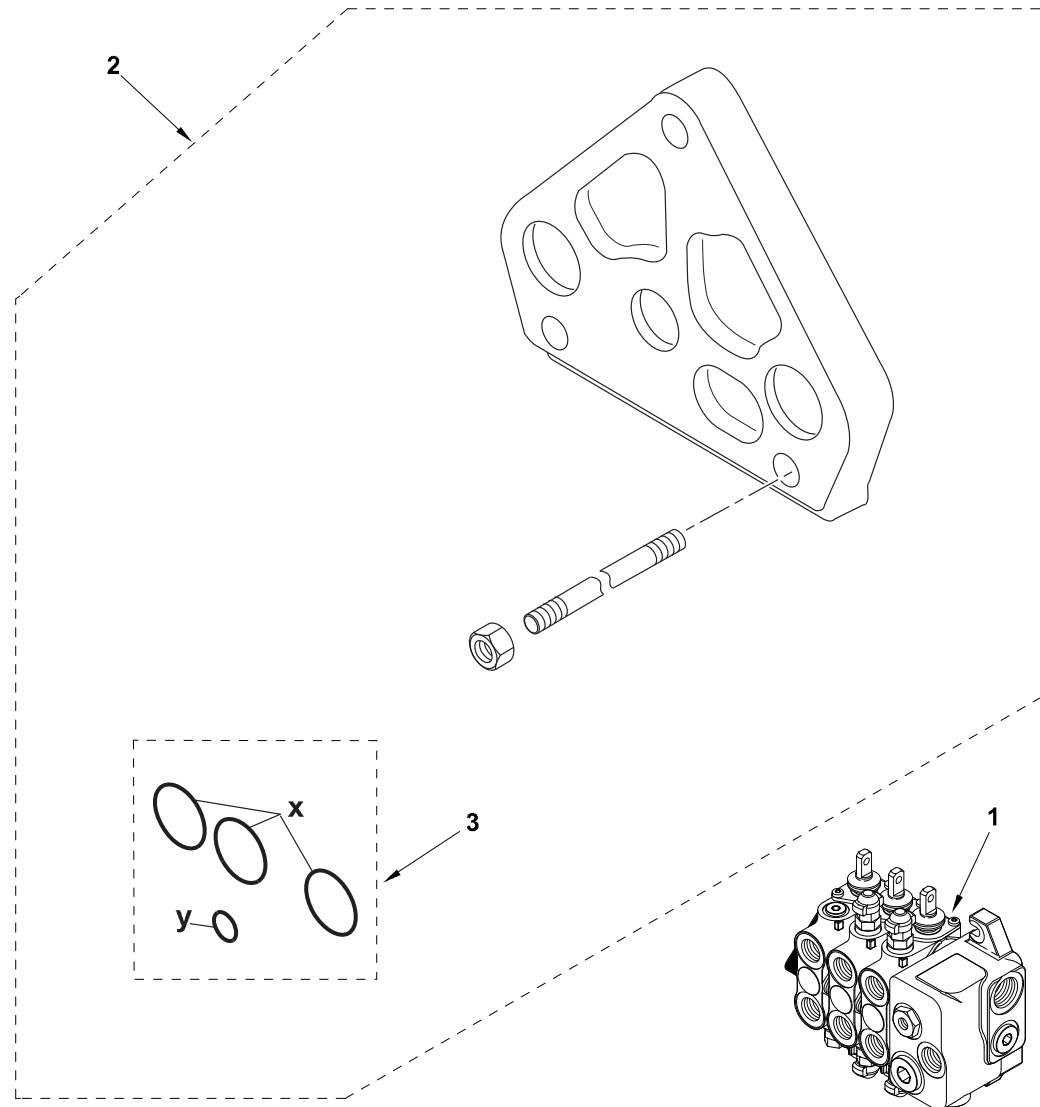
C-68025-07.1-A



Item	Part No.	Qty.	English	French	German	Spanish	Remarks
1	6109210M91	1	Valve - Loader 3 Spool Mechanical	Ensemble Distributio	Steverventilblock Kp	Distribuidor, Conj.	
2	6194533M91	1	Element - 4 X 1	Element - Soupape	Element - Ventil	Elemento - Válvula	
3	6193782M91	1	Anti-Cavitation Valve E Port B	Ensemble De Soupape	Ventil Kpl.	Válvula, Conj.	
4	6193771M91	1	Seal Interface Kit	Pochette De Joints	Dichsatz	Juego De Juntas	
5	6193785M91	1	Plug Q - Port B	Bouchon	Stopfen	Tapón, Conj.	
6	6193791M91	1	Seal Kit - L/S Valve	Jeu Étanchéité	Dichtringsatz	Juego De Juntas	
7	6194828M91	1	Spool Kit (Slice - Bucket 4 In 1 Loader)	Jeu Tiroir	Schieber Satz	Juego Carrete	



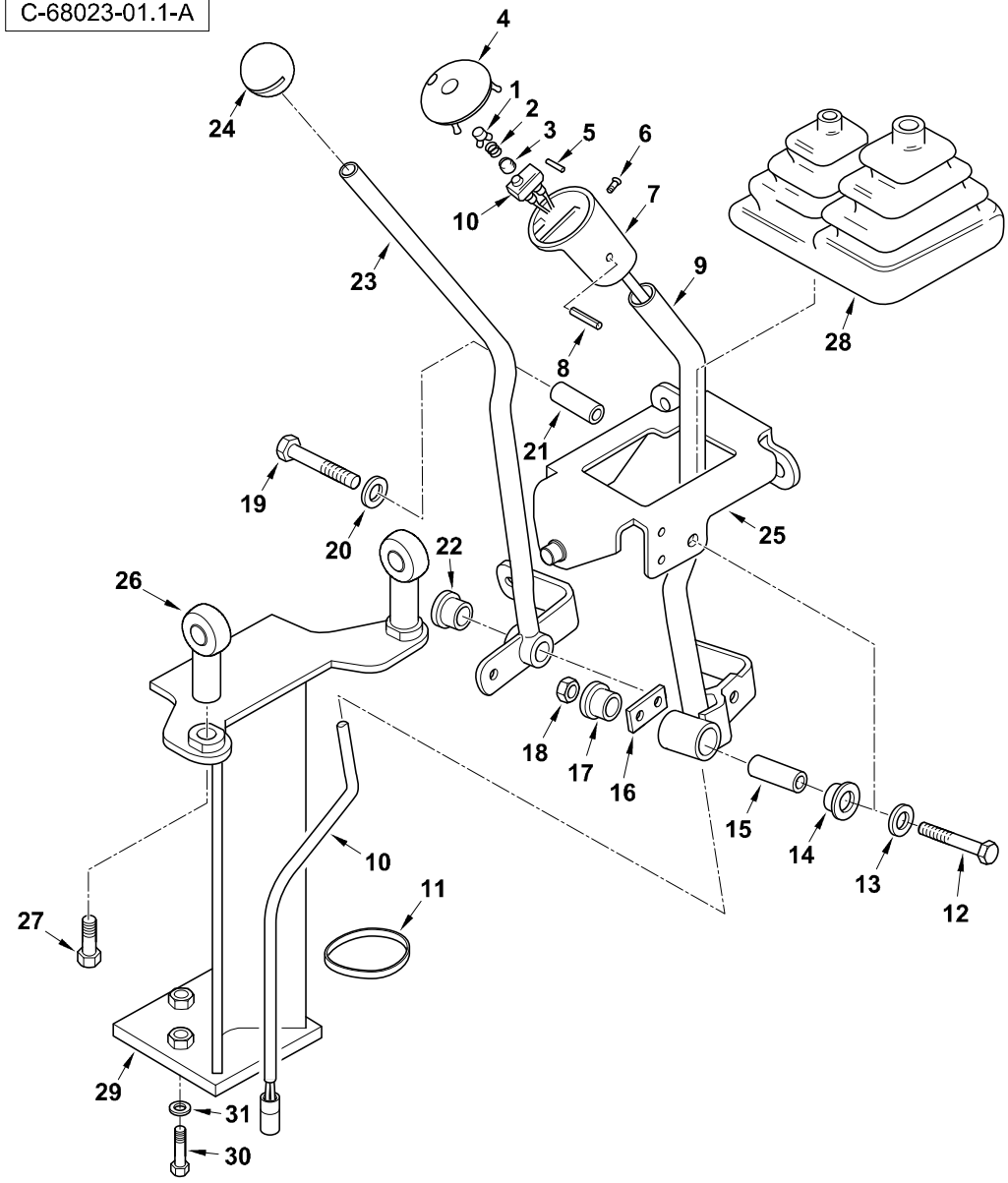
C-68025-08.1-A



Item	Part No.	Qty.	English	French	German	Spanish	Remarks
1	6109210M91	1	Valve - Loader 3 Spool Mechanical	Ensemble Distributio	Steverventilblock Kp	Distribuidor, Conj.	
2	6194517M91	1	Element - Outlet	Element - Soupape	Element - Ventil	Elemento - Válvula	
3	6193771M91	1	Seal Interface Kit	Pochette De Joints	Dichsatz	Juego De Juntas	



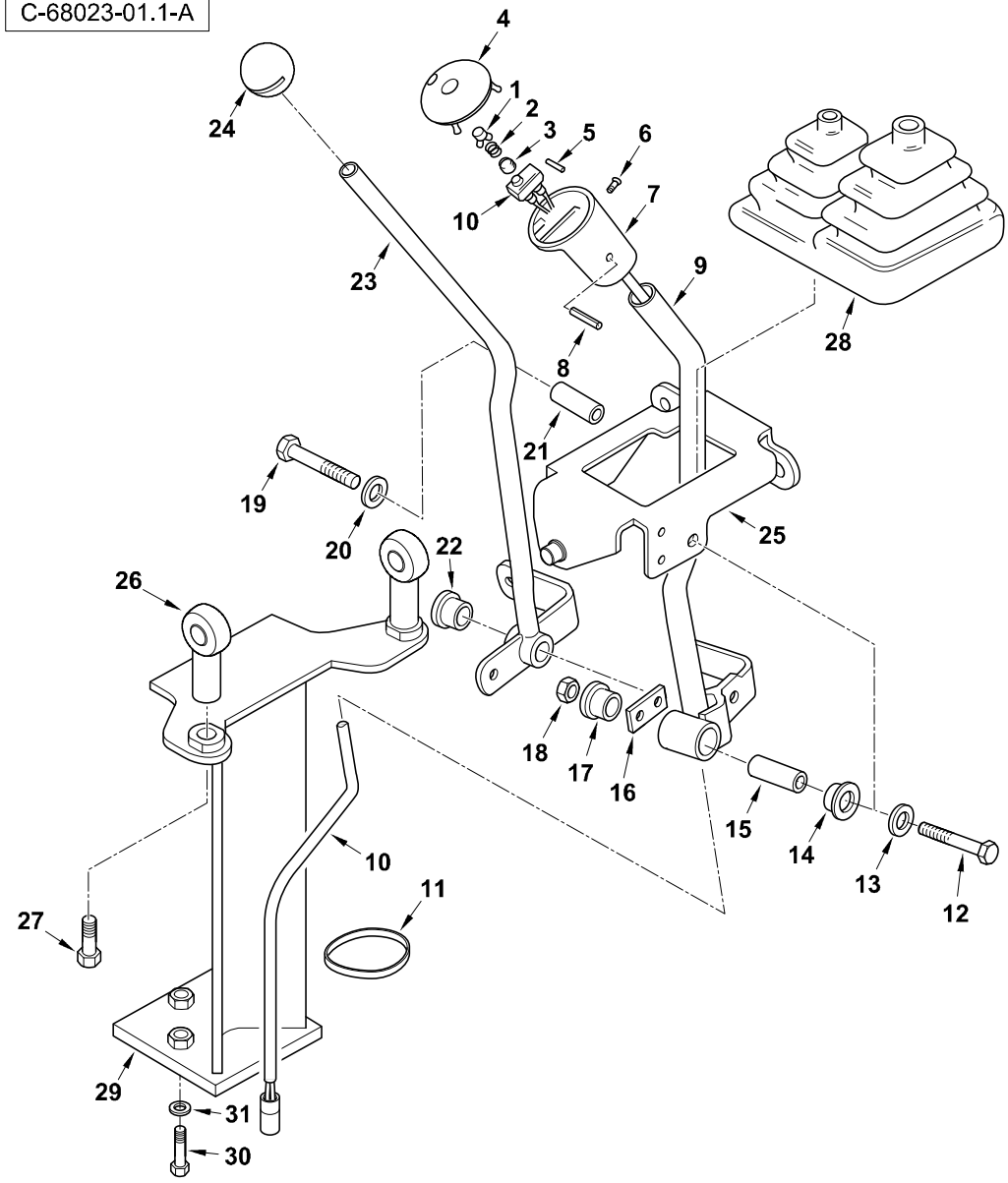
C-68023-01.1-A



Item	Part No.	Qty.	English	French	German	Spanish	Remarks
1	3521894M4	2	Button Ldr Cntls	Bouton	Knopf	Botón	
2	3520328M3	2	Spring	Siege De Ressort	Feder	Muelle	
3	3522894M1	2	Boot Control Knob	Coffre	Schutzkappe	Fuelle	
4	3522285M5	1	Knob Top Ldr Cntl	Boule	Knauf	Bola	
5	3522507M3	4	Pin Parallel	Goupille D´Arrêt	Sicherungsstift	Pasador	
6	3516886M1	2	Screw C/Sk 1/4 Lng	Vis	Schraube	Tornillo	
7	3522621M5	1	Base Control Knob	Poignée De Levier	Griff	Empuñ. Palanca	
8	3019531X1	1	Pin - Roll	Goupille Elastique	Spannhulse	Pasador Elástico	
9	6109383M91	1	Lever - Loader Control W/Assy	Levier	Hebel	Palanca, Conj.	
10	3516043M94	1	Switch And Harness - Ldr. Cont. Lever	Interrupteur	Beschirrung	Haz	
11	1664405M1	1	Tie Mm T50s	Attache Cable	Kabelbinder	Enlace De Cable	
12	339159X1	1	Bolt M8-65	Boulon	Bolzen	Tornillo	
13	6108769M1	1	Washer-M8 Nord-Lock	Rondelle De Blocage	Federring M8	Arandela De Freno	
14	6106560M1	1	Bush	Douille	Buechse	Anillo	
15	6106561M3	1	Spacer-Loader Controls	Entretoise	Abstandstueck	Traviesa	
16	6106562M1	1	Plate-L/Cont. Tie Bar	Barre	Stab	Placa	
17	6106560M1	1	Bush	Douille	Buechse	Anillo	
18	394367X1	1	Nut, Hex. - Nyloc, M8	Ecrou Blocage M8	Flachmutter - M8	Tuerca De Retención	
19	339291X1	1	Bolt M8-55 Z5s	Goupille	Bolzen M8 X 55	Tornillo	
20	6108769M1	1	Washer-M8 Nord-Lock	Rondelle De Blocage	Federring M8	Arandela De Freno	
21	6106561M3	1	Spacer-Loader Controls	Entretoise	Abstandstueck	Traviesa	
22	6106560M1	2	Bush	Douille	Buechse	Anillo	
23	6109386M91	1	Lever - Clam Control W/Assy	Levier	Hebel	Palanca, Conj.	
24	3509755M2	1	Knob Yellow	Boule	Knauf	Bola	
25	6109381M91	1	Cradle - Rexroth Valve W/Assy	Berceau	Fahrschemel	Soporte	
26	6102844M1	2	Rodend-M12 Spherical	Support De Fixation	Kugelkopf, Plastik	Soporte De Fijación	
27	3009505X1	2	Hex. Bolt, M12 X 25 - Coarse	Boulon	Bolzen M12 X 25	Perno	
28	6109928M1	1	Gaiter (Black) - Loader Lever	Souf•et	Manschette	Fuelle	
29	6109802M91	1	Loader Control Column Assy	Ensemble De Support	Haltevorrichtung	Apoyadero, Conj.	
30	339009X1	3	Bolt - M8 X 35	Boulon M8 X 35	Maschschraube M8	Tornillo	

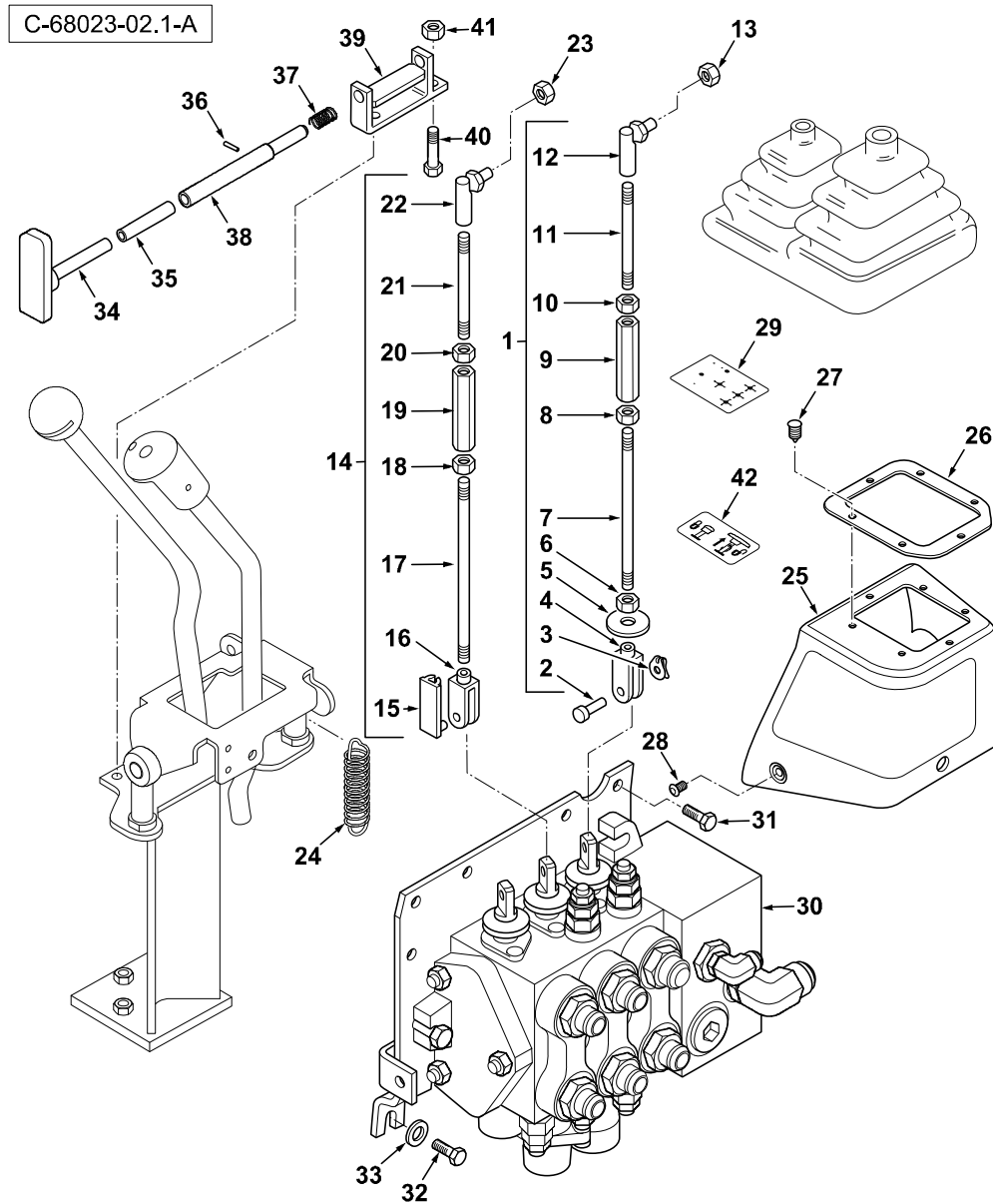


C-68023-01.1-A



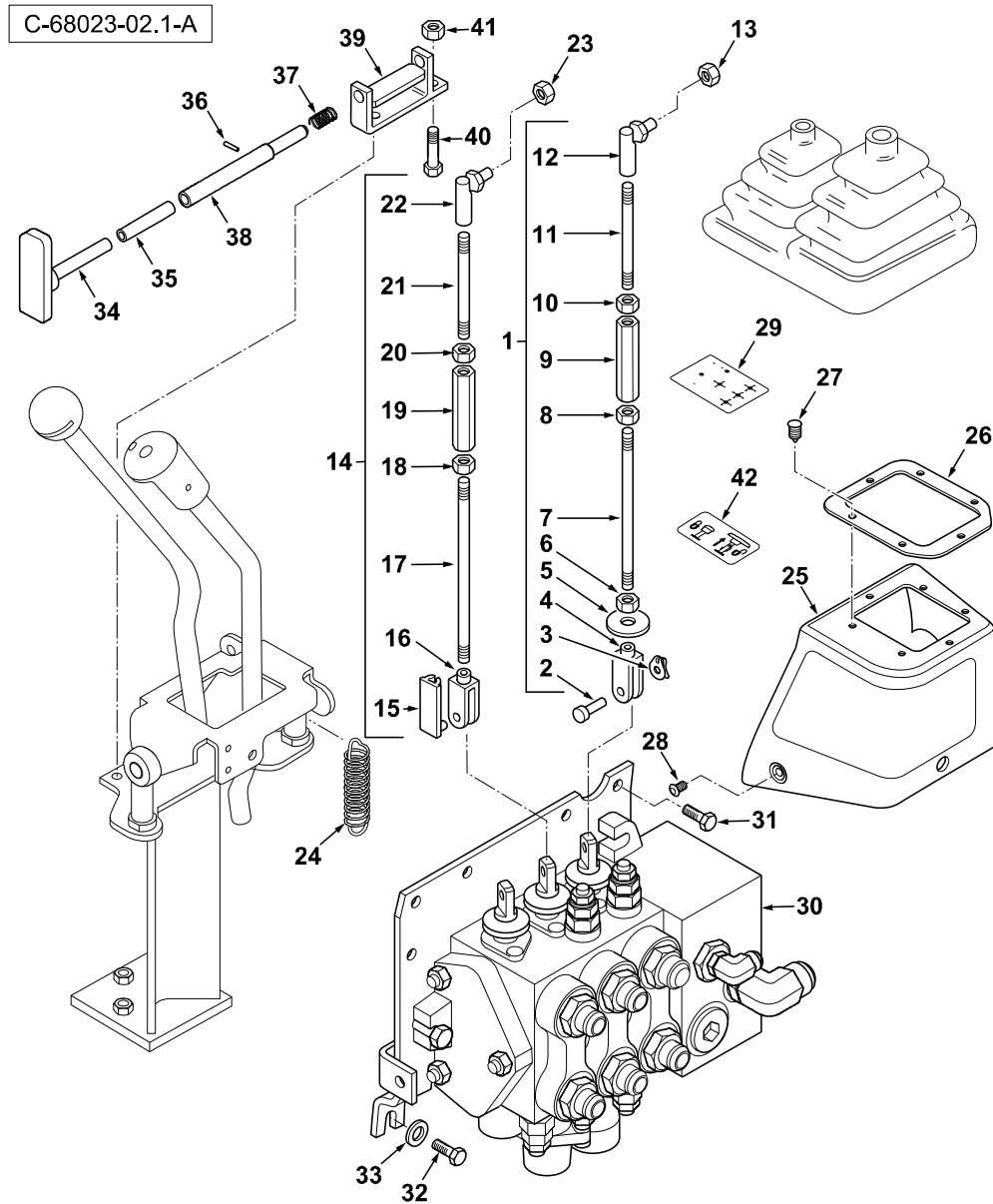
Item	Part No.	Qty.	English	French	German	Spanish	Remarks
31	339374X1	3	Washer M8 -21-2 Z	Rondelle Frein - M8	Federring - M8	Arandela De Freno	





Item	Part No.	Qty.	English	French	German	Spanish	Remarks
1	6102738M93	1	Rod Assy. - Loader Control	Ensemble Tringlerie	Gestänge	Tirantes, Conj.	
2	6102816M1	1	Pin-Clevis	Axe De Chape	Gabelstift	Eje De Brida	
3	3516322M1	1	Clip, Spring - No.8	Clip	Klips	Clip	
4	3519590M1	1	Clevis LH Thread	Chape	Gabelverbindung	Brida	
5	3518878M3	1	Washer	Rondelle	Scheibe	Arandela	
6	3519650M1	1	Nut, Hex - M8, L/H Thread	Ecrou	Mutter	Tuerca	
7	#ROD	1	Rod	Rod	Rod	Rod	
8	339169X1	1	Nut, Hex. - M8, Coarse	Ecrou Métrique	Mutter Metrisch	Tuerca	
9	6102733M1	1	Turnbuckle M8	Tendeur De Tringle	Spannschloss	Torniquete	
10	3519650M1	1	Nut, Hex - M8, L/H Thread	Ecrou	Mutter	Tuerca	
11	#ROD	1	Rod	Rod	Rod	Rod	
12	3519589M1	1	Ball-Joint	Rotule	Kugelgelenk	Rotula	
13	394367X1	1	Nut, Hex. - Nyloc, M8	Ecrou Blocage M8	Flachmutter - M8	Tuerca De Retención	
14	6102737M92	2	Rod Assy. - Loader Control	Tringle	Stange	Tirantes, Conj.	
15	3520666M1	1	Pin W/ Spring Clip	Axe De Chape	Gabelstift	Eje De Brida	
16	3519590M1	1	Clevis LH Thread	Chape	Gabelverbindung	Brida	
17	#ROD	1	Rod	Rod	Rod	Rod	Ref. 14
18	339169X1	1	Nut, Hex. - M8, Coarse	Ecrou Métrique	Mutter Metrisch	Tuerca	
19	6102733M1	1	Turnbuckle M8	Tendeur De Tringle	Spannschloss	Torniquete	
20	3519650M1	1	Nut, Hex - M8, L/H Thread	Ecrou	Mutter	Tuerca	
21	#ROD	1	Rod	Rod	Rod	Rod	Ref. 14
22	3519589M1	1	Ball-Joint	Rotule	Kugelgelenk	Rotula	
23	394367X1	2	Nut, Hex. - Nyloc, M8	Ecrou Blocage M8	Flachmutter - M8	Tuerca De Retención	
24	6109761M1	1	Spring-Ldr Control	Siège De Ressort	Federsitz	Muelle	
25	T101141	1	Loader Tower Moulding (Black)	Moulure - Tourelle	Pressling - Turm	Bordon - Torre	
26	3516856M3	1	Plate, Gaiter - Loader Controls	Plaque	Platte	Placa	
27	3521303M3	6	Fastener, Plastic - Gear Lever Gaiter	Agrafe	Halteklammer	Enganche	
28	3512552M1	3	Screw Pan Hd.M5 X 12	Vis	Schraube	Tornillo	
29	6101874M1	1	Decal-Ldr Controls 7 In 1	Adhésif	Aufkleber	Adhesivo	
30	6109325M91	1	Valve Assembly - Loader Rexroth	Ensemble Distributio	Steuerventilblock Kp	Distribuidor, Conj.	

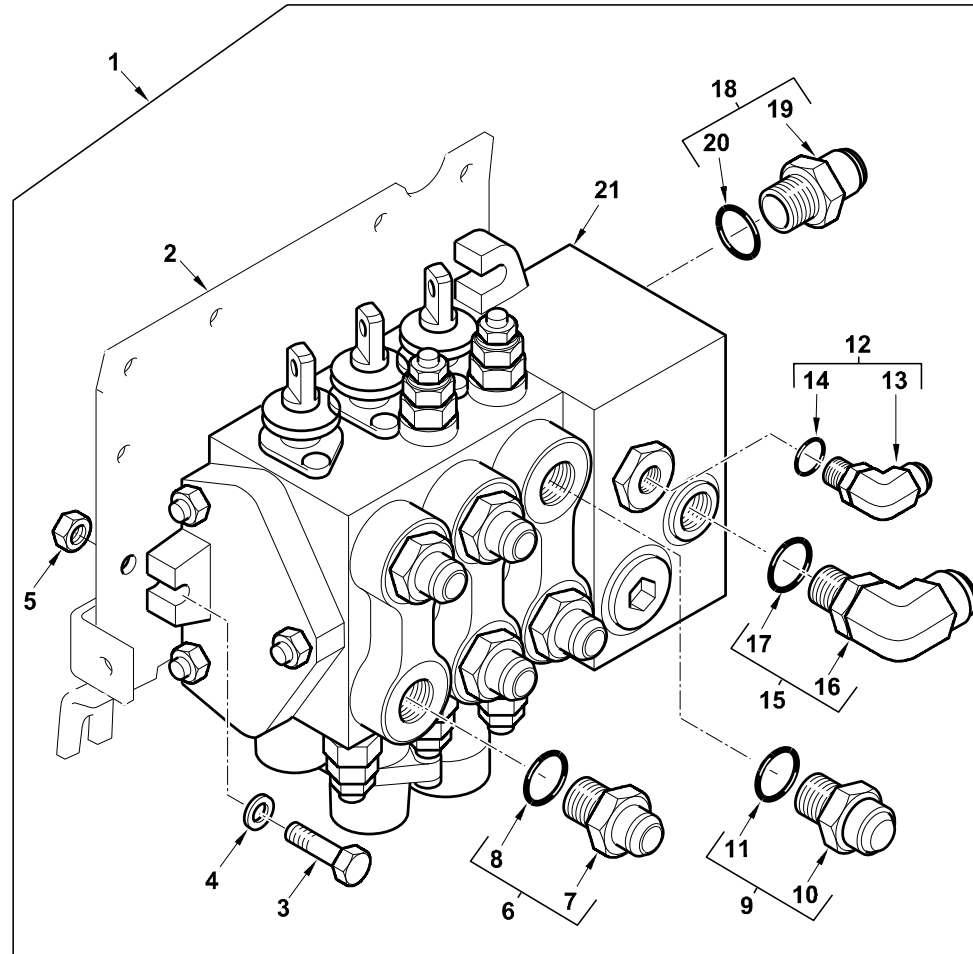




Item	Part No.	Qty.	English	French	German	Spanish	Remarks
31	3009492X1	2	Bolt - Hex. M10 X 25	Boulon M10 X 25	Schraube M10 X 25	Tornillo	
32	3009492X1	1	Bolt - Hex. M10 X 25	Boulon M10 X 25	Schraube M10 X 25	Tornillo	
33	385362X1	1	Washer, Hardened - M10	Rondelle - M10	Unterlegscheibe M10	Arandela	
34	6101939M91	1	Handle-T Assy	Poignée	Handgriff	Asa	
35	6101938M1	1	Spacer-Tube	Entretoise	Distanzstück	Traviesa	
36	1441736X1	1	Pin Spirol 5-26	Goupille D´Arrêt	Klappstecker	Pasador Elástico	
37	3516136M2	1	Spring	Siège De Ressort	Federsitz	Muelle	
38	3519365M1	1	Rod Locking	Tringle	Stange	Vástago	
39	6108293M92	1	Bracket Assy Loader Control	Patte Fixation	Halter	Cuchara, Conj.	
40	339666X1	2	Bolt M6-20 Z5f	Boulon M6 X 20	Maschschraube Metr M	Tornillo	
41	1441500X1	2	Nut M6 Z5 Nyloc	Ecrou	Flachmutter M6	Tuerca De Retención	
42	6101872M1	1	Decal - Loader Lever Lock	Adhésif	Aufkleber	Adhesivo	



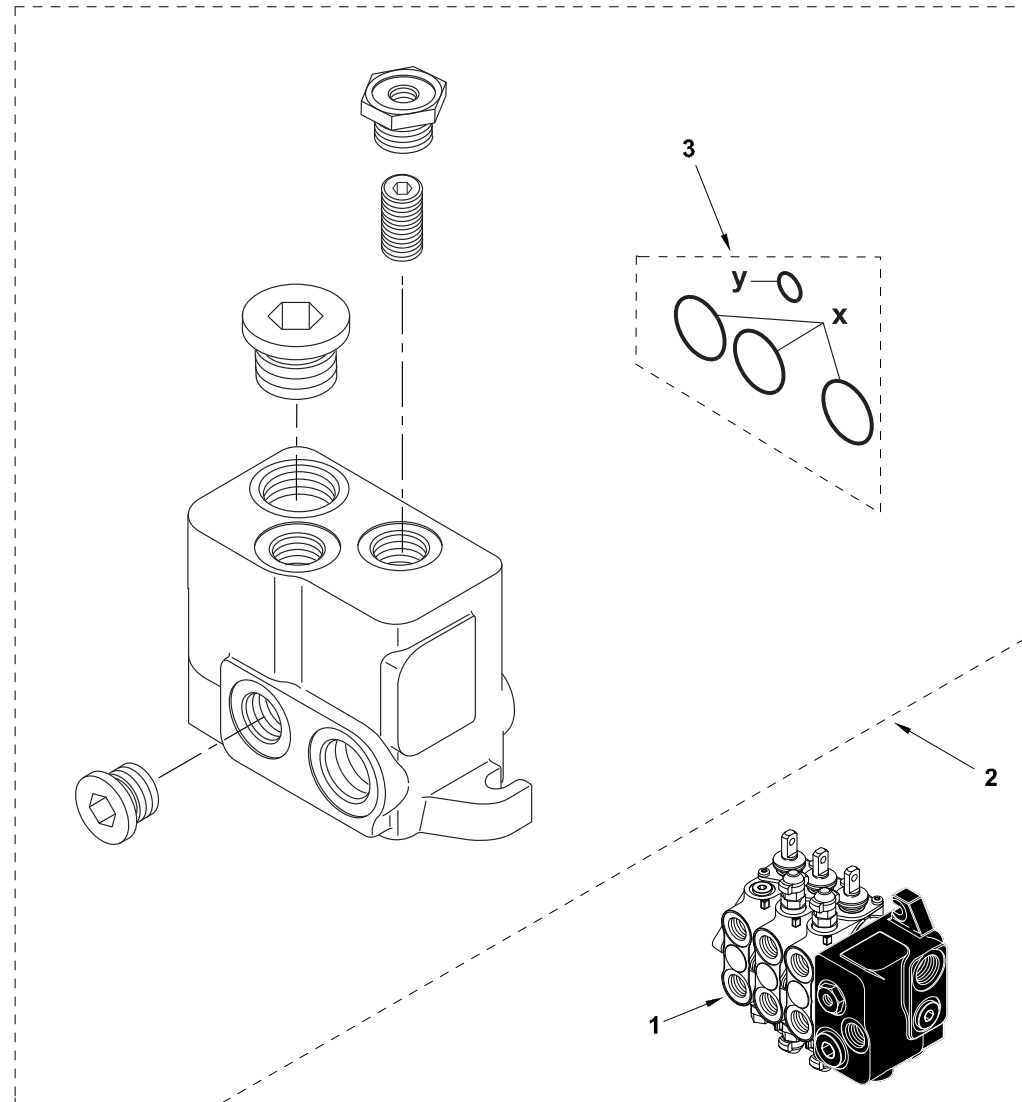
C-68023-03.1-A



Item	Part No.	Qty.	English	French	German	Spanish	Remarks
1	6109325M91	1	Valve Assembly - Loader Rexroth	Ensemble Distributio	Steuerventilblock Kp	Distribuidor, Conj.	
2	6109370M91	1	Plate - Rexroth Loader Valve W/Assy	Plaque	Platte	Placa, Conj.	
3	3009496X1	3	Bolt Hex - M10 X 45 (Coarse)	Boulon M10 X 45	Maschschraube - M10	Tornillo	
4	385362X1	3	Washer, Hardened - M10	Rondelle - M10	Unterlegscheibe M10	Arandela	
5	1440329X1	3	Nut, Hex. - Nyloc, M10	Ecrou Blocage	Flachmutter M10	Tuerca De Retención	
6	365715X91	5	Connector, Hydr.-Straight, 1 1/16 X 7/8	Borne	Doppelnippel	Conexión, Conj.	
7	#CONNECTOR	1	Connector	Connector	Connector	Connector	Ref. 6
8	835025M1	1	Ring O	Joint Torique	O Ring	Junta De Tipo O	
9	835057M91	1	Connector B1510m-12-12	Raccord	Schraubanschluss	Conexión, Conj.	
10	#CONNECTOR	1	Connector	Connector	Connector	Connector	Ref. 9
11	835025M1	1	Ring O	Joint Torique	O Ring	Junta De Tipo O	
12	357197X91	1	Elbow & O Ring	Coude	Kniestück, 90°	Codo, 90°	
13	#ELBOW	1	Elbow	Elbow	Elbow	Elbow	Ref. 12
14	831452M1	1	O Ring (Pack Of 10)	Joint Torique	O Ring	Junta De Tipo O	
15	358764X91	1	Elbow 90 Deg	Coude 90°	Kniestück, 90°	Codo, 90°	
16	#ELBOW	1	Elbow	Elbow	Elbow	Elbow	Ref. 15
17	835025M1	1	Ring O	Joint Torique	O Ring	Junta De Tipo O	
18	835014M91	1	Connector - 1 5/16" To 1 5/16"	Borne	Doppelnippel	Unión	
19	#CONNECTOR	1	Connector	Connector	Connector	Connector	Ref. 18
20	835026M1	1	O-Ring	Joint Torique	O-Ring	Junta De Tipo O	
21	6109210M91	1	Valve - Loader 3 Spool Mechanical	Ensemble Distributio	Steuerventilblock Kp	Distribuidor, Conj.	



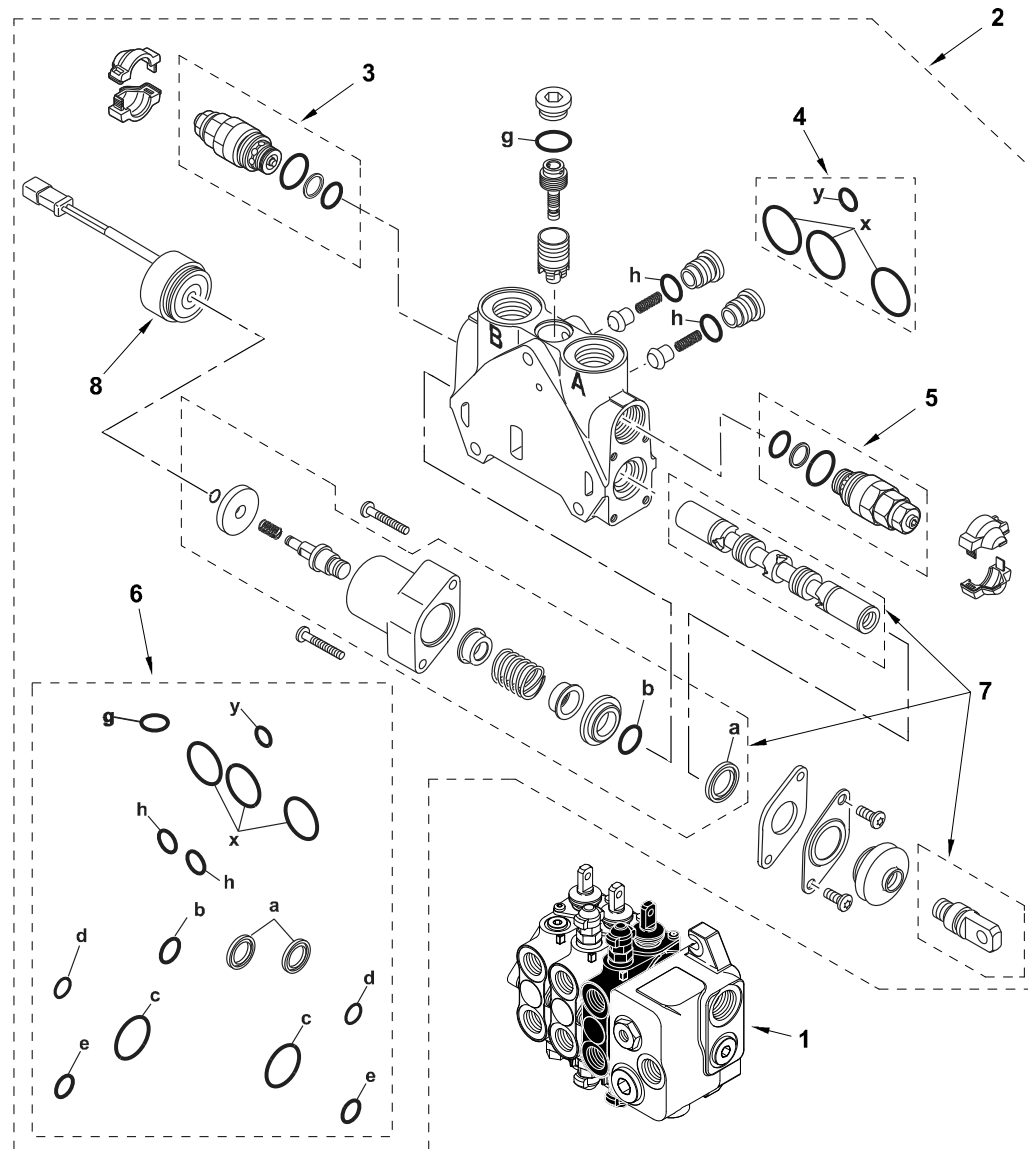
C-68023-04.1-A



Item	Part No.	Qty.	English	French	German	Spanish	Remarks
1	6109210M91	1	Valve - Loader 3 Spool Mechanical	Ensemble Distributio	Steverventilblock Kp	Distribuidor, Conj.	
2	6194535M91	1	Element - Inlet	Element - Soupape	Element - Ventil	Elemento - Válvula	Inlet
3	6193771M91	1	Seal Interface Kit	Pochette De Joints	Dichsatz	Juego De Juntas	



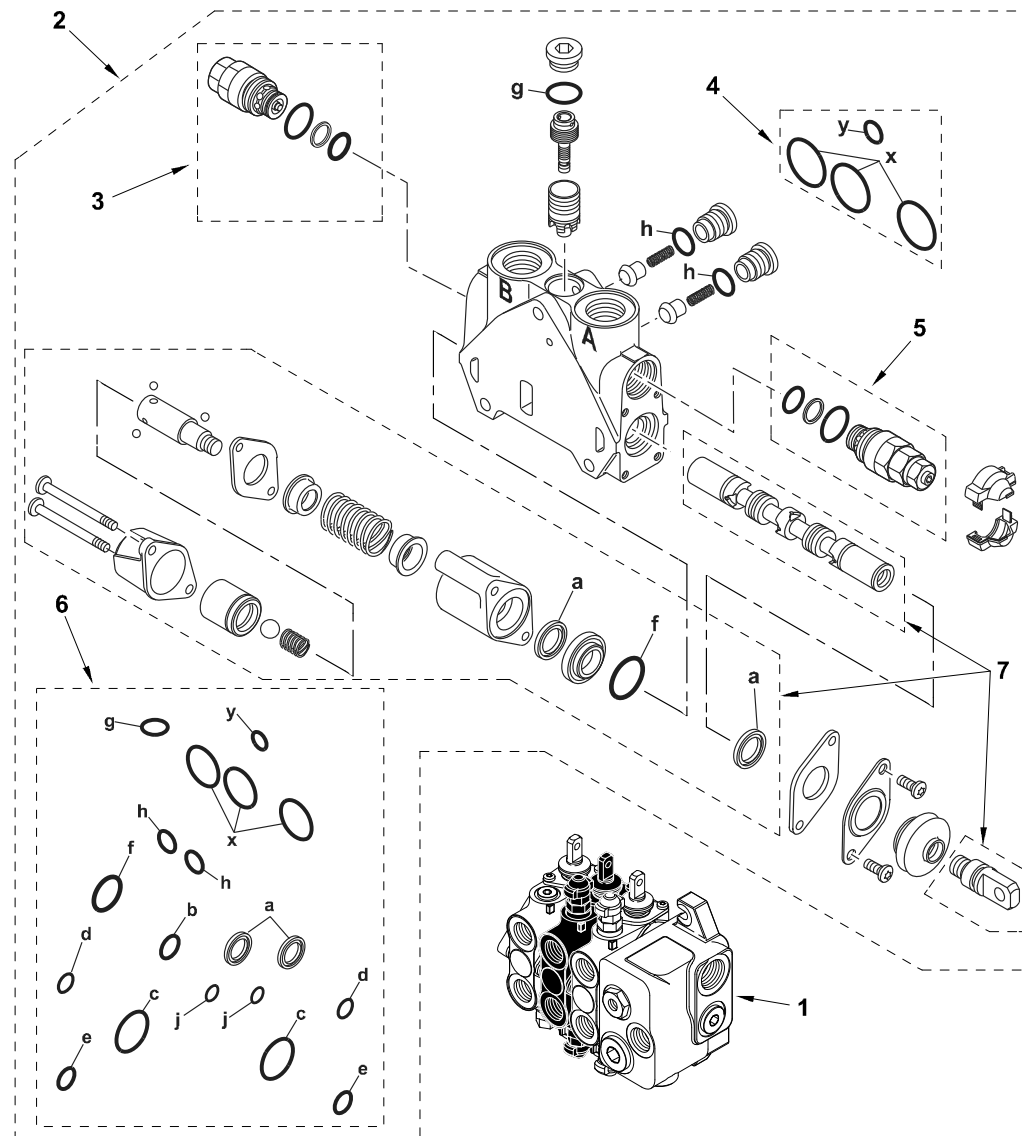
C-68023-05.1-A



Item	Part No.	Qty.	English	French	German	Spanish	Remarks
1	6109210M91	1	Valve - Loader 3 Spool Mechanical	Ensemble Distributio	Steverventilblock Kp	Distribuidor, Conj.	
2	6194531M91	1	Element - Bucket	Element - Soupape	Element - Ventil	Elemento - Válvula	
3	6193804M91	1	Pressure Relief Valve H (310 Bar)	Valve Decharge	Druckbegrventil	Válvula De Seguridad	
4	6193771M91	1	Seal Interface Kit	Pochette De Joints	Dichsatz	Juego De Juntas	
5	6193801M91	1	Pressure Relief Valve H (345 Bar)	Valve Decharge	Druckbegrventil	Válvula De Seguridad	
6	6193781M91	1	Seal Kit Complete	Jeu Etancheite	Dichtringsatz	Juege De Juntas	
7	6194835M91	1	Spool Kit (Slice - Loader Bucket)	Jeu Tiroir	Schieber Satz	Juego Carrete	
8	6195101M91	1	Solenoid Kit	Solenoide	Magnetspule	Solenoide, Conj.	



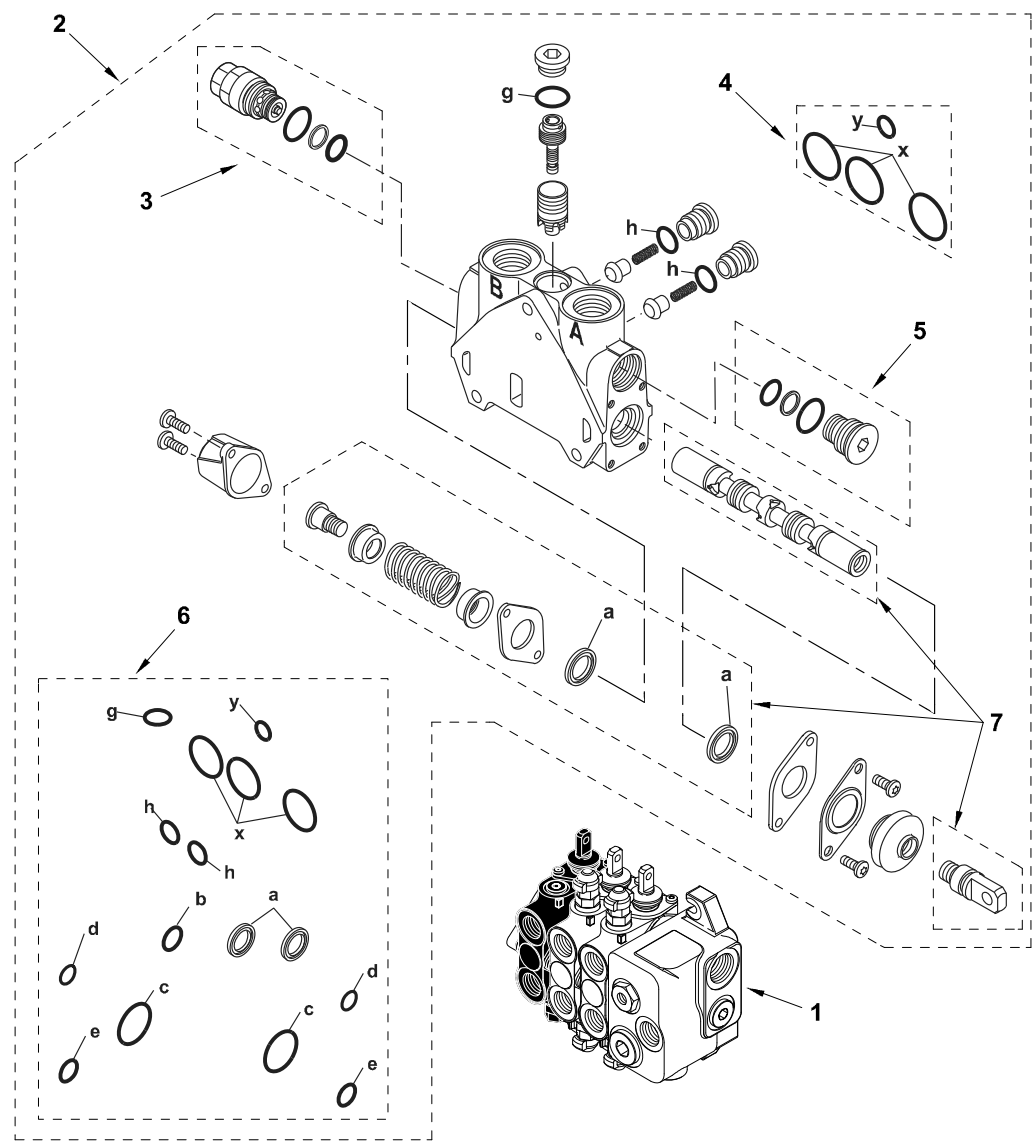
C-68023-06.1-A



Item	Part No.	Qty.	English	French	German	Spanish	Remarks
1	6109210M91	1	Valve - Loader 3 Spool Mechanical	Ensemble Distributio	Steverventilblock Kp	Distribuidor, Conj.	Continued
2	6194532M91	1	Element - Dipper	Element - Soupape	Element - Ventil	Elemento - Válvula	
3	6193782M91	1	Anti-Cavitation Valve E Port B	Ensemble De Soupape	Ventil Kpl.	Válvula, Conj.	
4	6193771M91	1	Seal Interface Kit	Pochette De Joints	Dichsatz	Juego De Juntas	
5	6193800M91	1	Pressure Relief Valve H 240 Bar	Valve Decharge	Druckbegrventil	Válvula De Seguridad	
6	6194518M91	1	Seal Kit	Jeu Etancheite	Dichtringsatz	Juego De Juntas	
7	6194836M91	1	Spool Kit (Slice - Loader Arm)	Jeu Tiroir	Schieber Satz	Juego Carrete	



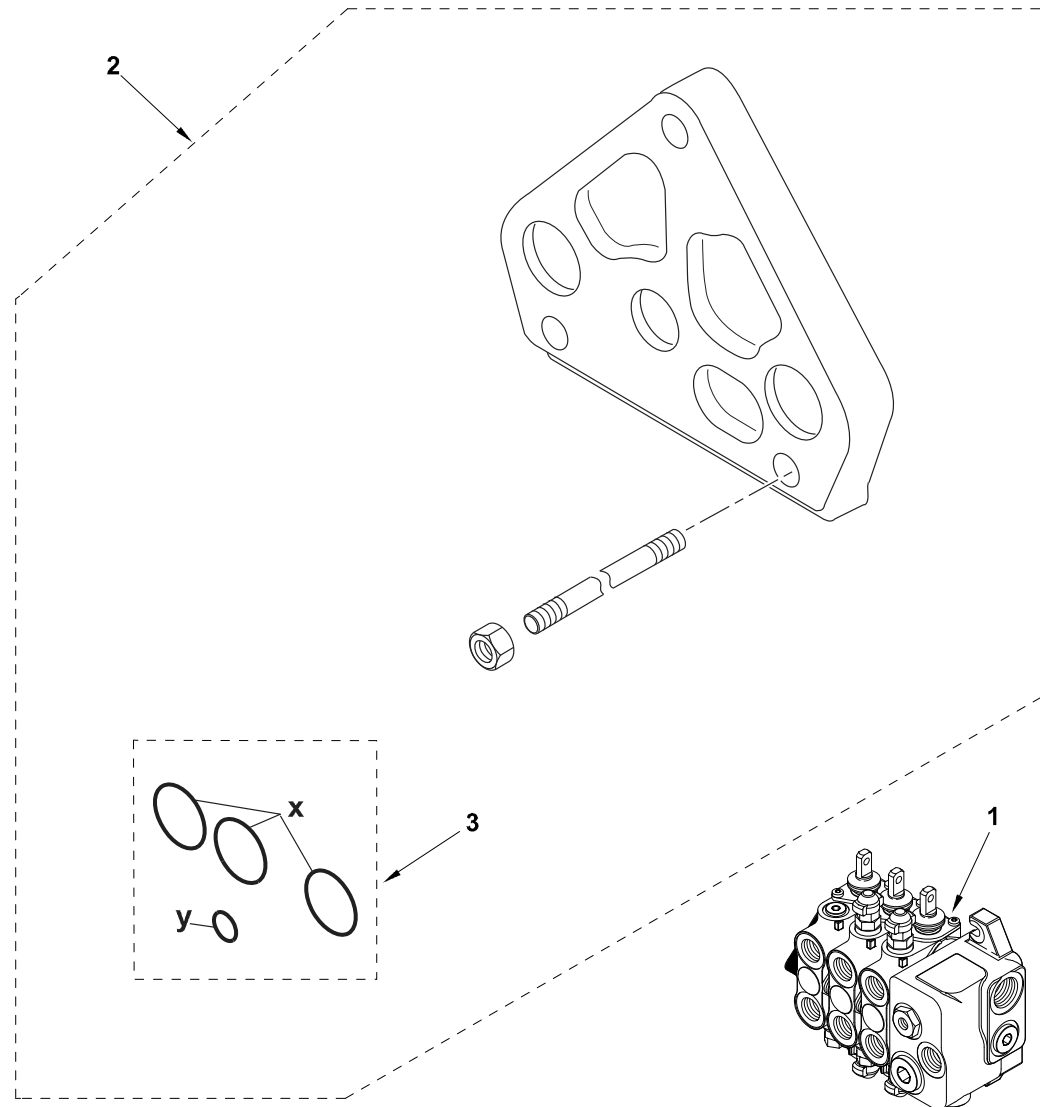
C-68023-07.1-A



Item	Part No.	Qty.	English	French	German	Spanish	Remarks
1	6109210M91	1	Valve - Loader 3 Spool Mechanical	Ensemble Distributio	Steverventilblock Kp	Distribuidor, Conj.	
2	6194533M91	1	Element - 4 X 1	Element - Soupape	Element - Ventil	Elemento - Válvula	
3	6193782M91	1	Anti-Cavitation Valve E Port B	Ensemble De Soupape	Ventil Kpl.	Válvula, Conj.	
4	6193771M91	1	Seal Interface Kit	Pochette De Joints	Dichsatz	Juego De Juntas	
5	6193785M91	1	Plug Q - Port B	Bouchon	Stopfen	Tapón, Conj.	
6	6193791M91	1	Seal Kit - L/S Valve	Jeu Étanchéité	Dichtringsatz	Juego De Juntas	
7	6194828M91	1	Spool Kit (Slice - Bucket 4 In 1 Loader)	Jeu Tiroir	Schieber Satz	Juego Carrete	



C-68023-08.1-A



Item	Part No.	Qty.	English	French	German	Spanish	Remarks
1	6109210M91	1	Valve - Loader 3 Spool Mechanical	Ensemble Distributio	Steverventilblock Kp	Distribuidor, Conj.	
2	6194517M91	1	Element - Outlet	Element - Soupape	Element - Ventil	Elemento - Válvula	
3	6193771M91	1	Seal Interface Kit	Pochette De Joints	Dichsatz	Juego De Juntas	



Not Serviced

THIS PAGE INTENTIONALLY LEFT BLANK

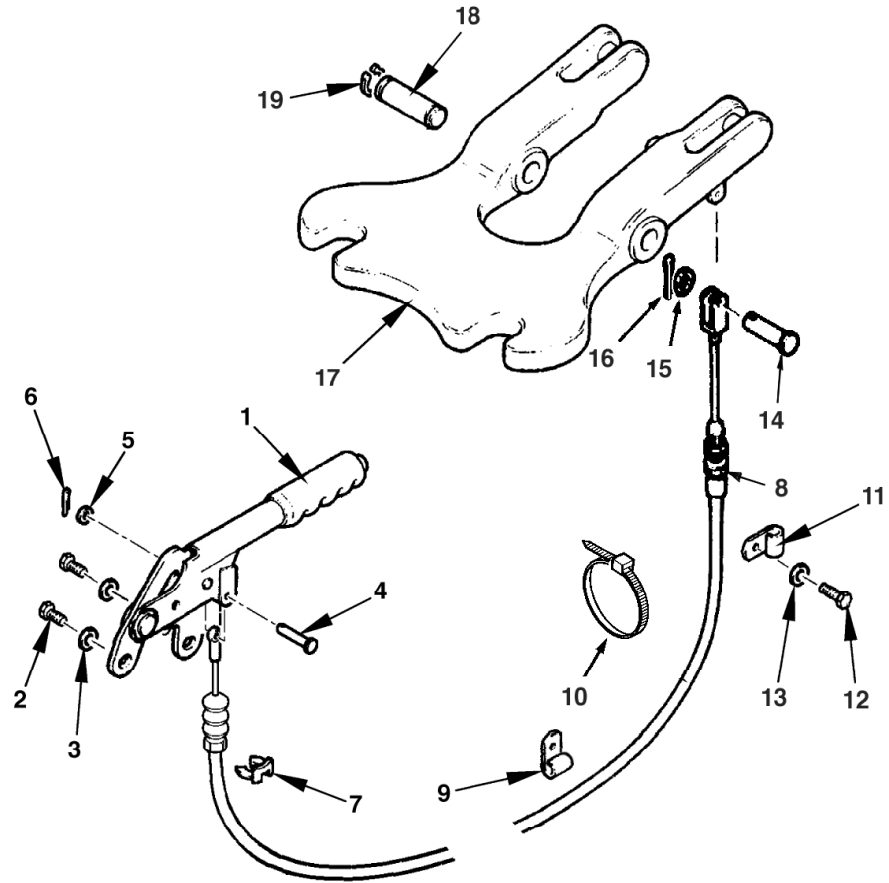


Not Serviced

THIS PAGE INTENTIONALLY LEFT BLANK



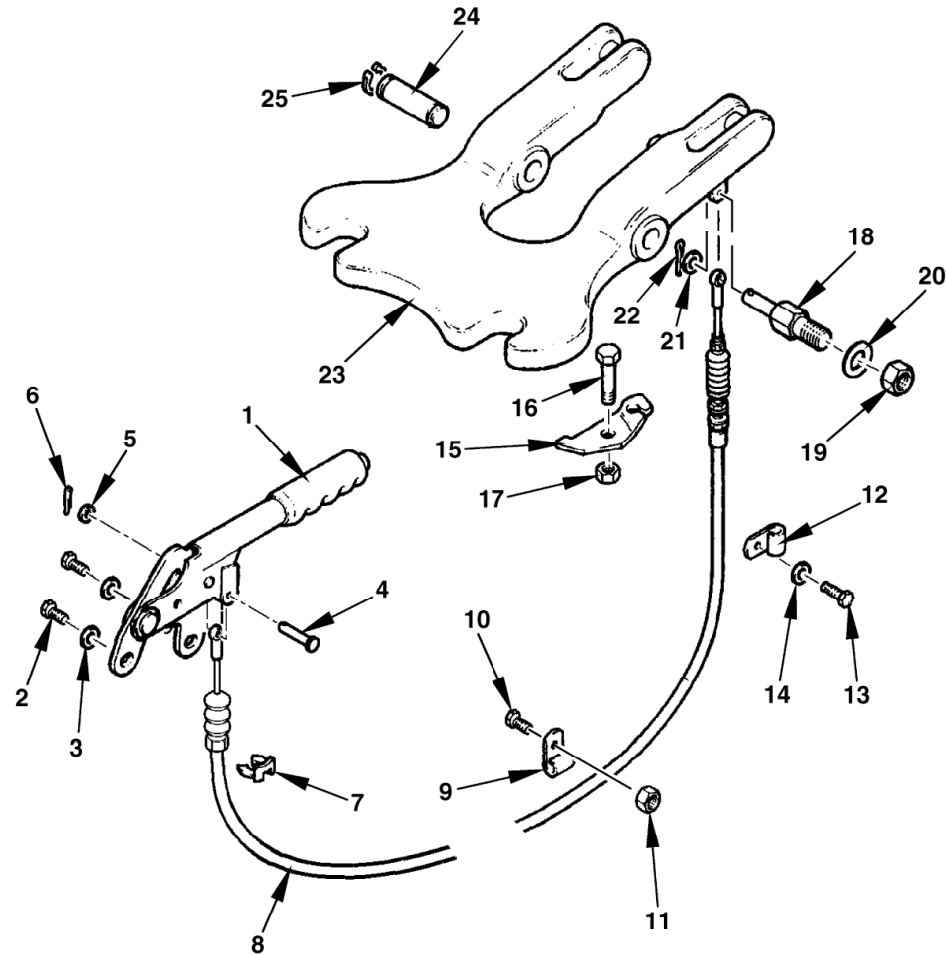
C-69001-01.1-A



Item	Part No.	Qty.	English	French	German	Spanish	Remarks
1	3522379M92	1	Lock Trnsprt Handbrake	Levier Ass.	Hebel Kplt	Palanca De Mando	
2	339124X1	2	Bolt M8-16 Z5f	Goupille	Maschschrb Metr - M8	Tornillo	
3	390972X1	2	Washer M8-17-1 Zwel	Rondelle M8	Scheibe - M8	Arandela	
4	3019192X1	1	Pin Clevis M6-25	Axe De Chape	Gabelstift	Pasador	
5	390971X1	1	Washer M6-12-1 Zwel	Rondelle - M6	Scheibe - M6	Arandela	
6	1442864X1	1	Pin Clevis	Axe	Bolzen	Pasador	
7	3522777M1	1	Clip Retaining	Clip	Klips	Clip	
8	6106281M91	1	Cable-Transport Lock S/Shift	Câble	Kabel	Cable, Conj.	Ec05/388
8	6111372M91	1	Cable - Transport Lock (Sideshift)	Ensemble De Câble	Kabel Kpl.	Cable, Conj.	Ec05/388
9	3517114M2	2	P - Clip	Collier De Fixation	Befestigungsschelle	Argolla De Fijación	
10	1664405M1	4	Tie Mm T50s	Attache Cable	Kabelbinder	Enlace De Cable	
11	3517114M2	1	P - Clip	Collier De Fixation	Befestigungsschelle	Argolla De Fijación	
12	339124X1	1	Bolt M8-16 Z5f	Goupille	Maschschrb Metr - M8	Tornillo	
13	390972X1	1	Washer M8-17-1 Zwel	Rondelle M8	Scheibe - M8	Arandela	
14	3019198X1	1	Pin Clevis	Axe De Chape	Gabelstift	Pasador	
15	390972X1	1	Washer M8-17-1 Zwel	Rondelle M8	Scheibe - M8	Arandela	
16	1442864X1	1	Pin Clevis	Axe	Bolzen	Pasador	
17	3521747Z6	1	Casting - Transport Lock	Verrou	Verriegelung	Cerrojo	
18	3521783M2	2	Pin Pivot	Axe	Bolzen	Pasador	
19	392758X1	4	Circlip O30 Zn	Segment D'Arrêt	Sicherungsring	Anillo De Resorte	



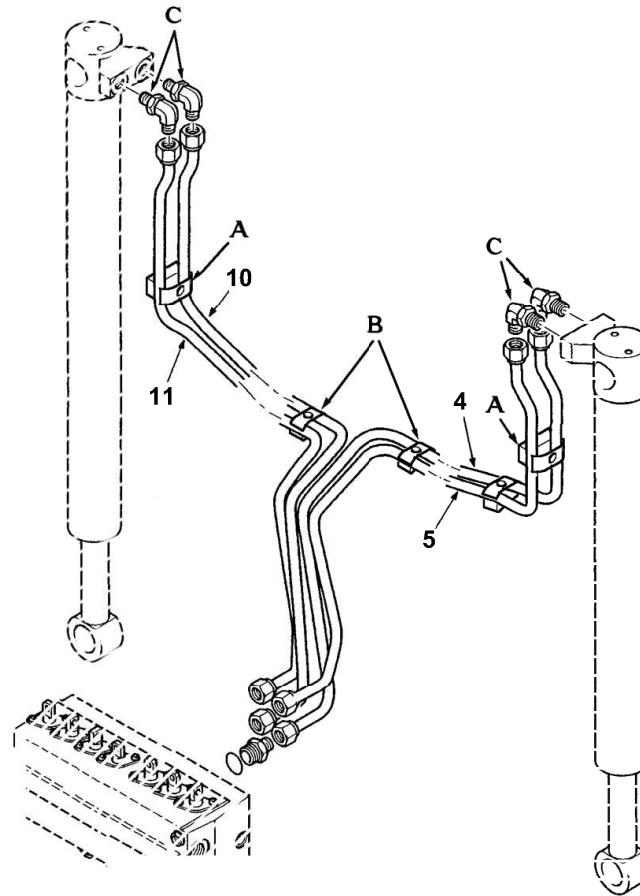
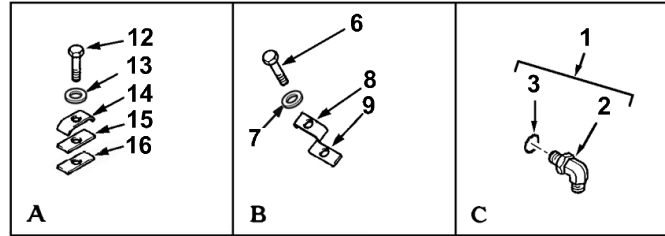
C-69002-01.1-A



Item	Part No.	Qty.	English	French	German	Spanish	Remarks
1	3522379M92	1	Lock Trnsprt Handbrake	Levier Ass.	Hebel Kplt	Palanca De Mando	
2	339124X1	2	Bolt M8-16 Z5f	Goupille	Maschschrb Metr - M8	Tornillo	
3	390972X1	2	Washer M8-17-1 Zwel	Rondelle M8	Scheibe - M8	Arandela	
4	3019192X1	1	Pin Clevis M6-25	Axe De Chape	Gabelstift	Pasador	
5	390971X1	1	Washer M6-12-1 Zwel	Rondelle - M6	Scheibe - M6	Arandela	
6	1442864X1	1	Pin Clevis	Axe	Bolzen	Pasador	
7	3522777M1	1	Clip Retaining	Clip	Klips	Clip	
8	6106282M91	1	Cable-Transport Lock C/Mount	Câble	Kabel	Cable, Conj.	Ec05/388
8	6111373M91	1	Cable Assy- Transport Lock (Centremount)	Cabine	Kabelzug	Cable, Conj.	Ec05/388
9	3517114M2	1	P - Clip	Collier De Fixation	Befestigungsschelle	Argolla De Fijación	
10	339337X1	1	Bolt M8-30 Z5f	Goupille	Bolzen - M8 X 30	Perno	
11	394367X1	1	Nut, Hex. - Nyloc, M8	Ecrou Blocage M8	Flachmutter - M8	Tuerca De Retención	
12	3517114M2	1	P - Clip	Collier De Fixation	Befestigungsschelle	Argolla De Fijación	
13	339124X1	1	Bolt M8-16 Z5f	Goupille	Maschschrb Metr - M8	Tornillo	
14	390972X1	1	Washer M8-17-1 Zwel	Rondelle M8	Scheibe - M8	Arandela	
15	3517697M2	1	Plate Anchor	Plaque	Platte	Ancla	
16	3516013M1	1	Bolt M10-40 Z5s	Boulon	Schraube	Tornillo	
17	1440329X1	1	Nut, Hex. - Nyloc, M10	Ecrou Blocage	Flachmutter M10	Tuerca De Retención	
18	3517698M2	1	Pin Anchor	Axe	Bolzen	Pasador	
19	339169X1	1	Nut, Hex. - M8, Coarse	Ecrou Métrique	Mutter Metrisch	Tuerca	
20	339374X1	1	Washer M8 -21-2 Z	Rondelle Frein - M8	Federring - M8	Arandela De Freno	
21	390971X1	1	Washer M6-12-1 Zwel	Rondelle - M6	Scheibe - M6	Arandela	
22	1442864X1	1	Pin Clevis	Axe	Bolzen	Pasador	
23	3521747M6	1	Casting - Transport Lock	Verrou	Verriegelung	Cerrojo	
24	3521783M2	2	Pin Pivot	Axe	Bolzen	Pasador	
25	392758X1	4	Circlip O30 Zn	Segment D ´ Arrêt	Sicherungsring	Anillo De Resorte	



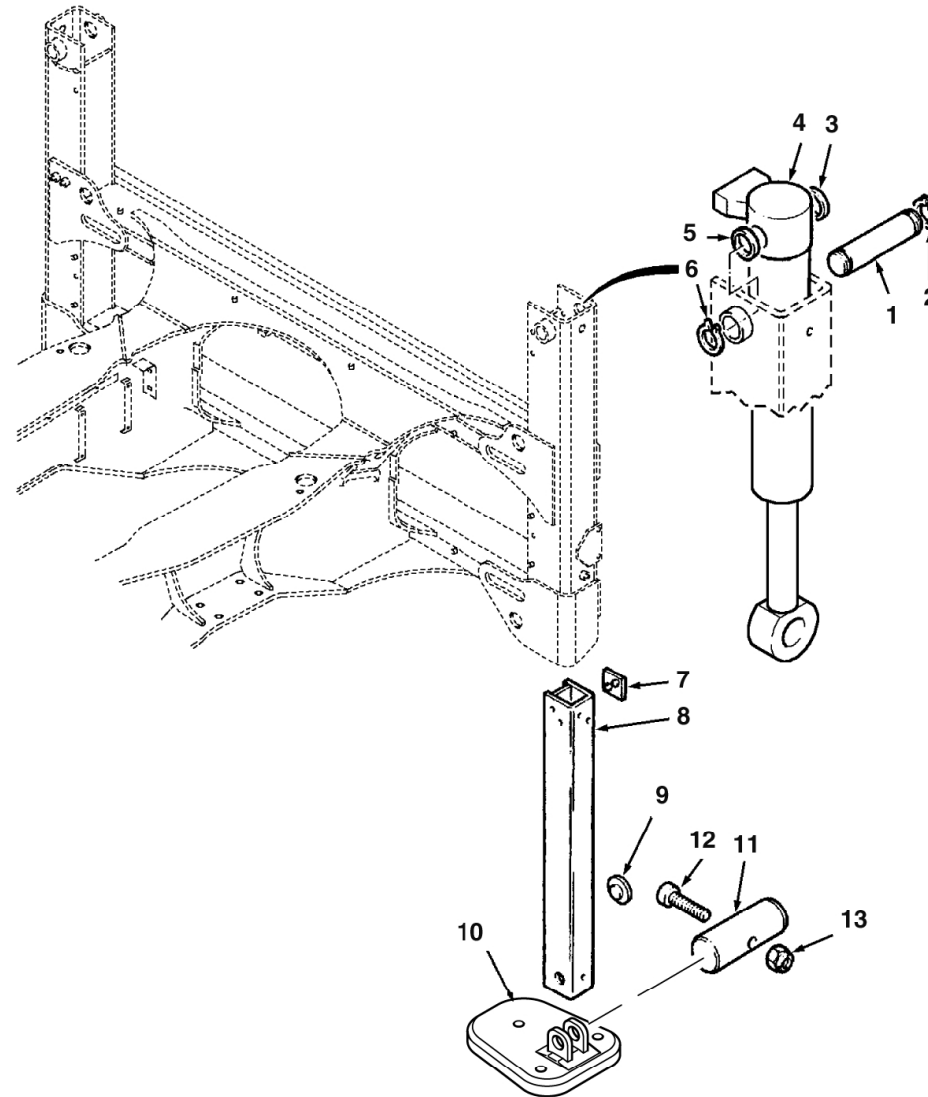
C-70001-01.1-C



Item	Part No.	Qty.	English	French	German	Spanish	Remarks
1	372866X91	4	Elbow 7/8-3/4	Coude, 90	Kniestück, 90	Codo, 90°	
2	#ELBOW	1	Elbow	Elbow	Elbow	Elbow	Ref. 1
3	835024M1	1	Ring O - Boa	Joint Torique	O Ring	Junta De Tipo O	
4	6109563M91	1	Hose Assy - Stab L/Out RH Head	Flexible Ass.	Schlauch Kpl	Flexible, Conj.	
5	6109733M91	1	Hose Assy - Stabs LH Head	Flexible Ass.	Schlauch Kpl	Flexible, Conj.	
6	339123X1	4	Bolt M8-20 Z5f	Boulon M8 X 20	Maschschraube M8	Perno	
7	390972X1	4	Washer M8-17-1 Zwl	Rondelle M8	Scheibe - M8	Arandela	
8	3522094M2	4	Clamp - Tube	Bride De Fixation	Befestigungshalter	Brida De Fijación	
9	1458385M1	4	Strip	Plaque Antidérapante	Klotz	Placa, Caucho	
10	6109531M91	1	Hose-Rh Ss Stab Wo/Lockout	Flexible Ass.	Schlauch Kplt	Flexible, Conj.	
11	6109734M91	1	Hose Assy - Stabs RH Rod	Flexible Ass.	Schlauch Kplt	Flexible, Conj.	
12	339123X1	2	Bolt M8-20 Z5f	Boulon M8 X 20	Maschschraube M8	Perno	
13	390972X1	2	Washer M8-17-1 Zwl	Rondelle M8	Scheibe - M8	Arandela	
14	3522094M2	2	Clamp - Tube	Bride De Fixation	Befestigungshalter	Brida De Fijación	
15	1458385M1	2	Strip	Plaque Antidérapante	Klotz	Placa, Caucho	
16	3518923M1	2	Block Spacer	Entretoise	Distanzstück	Traviesa	

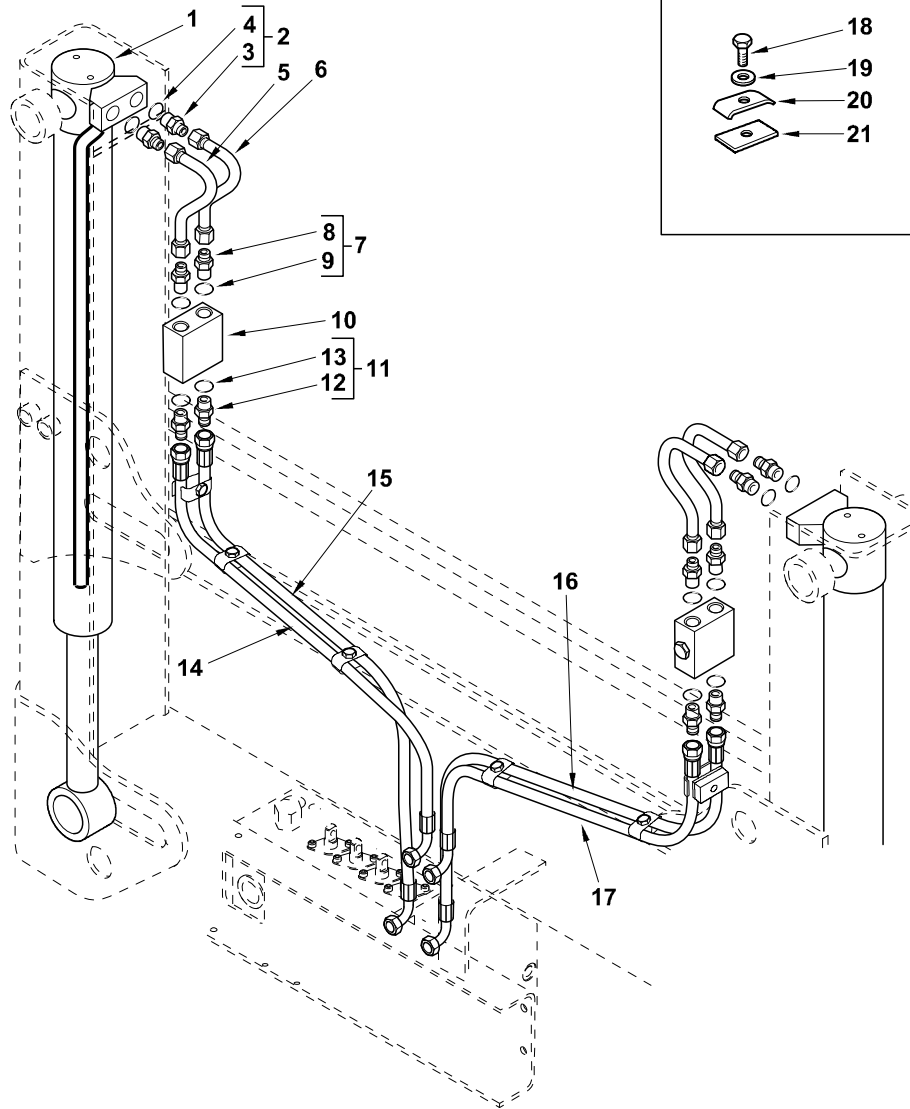


C-70004-01.1-A



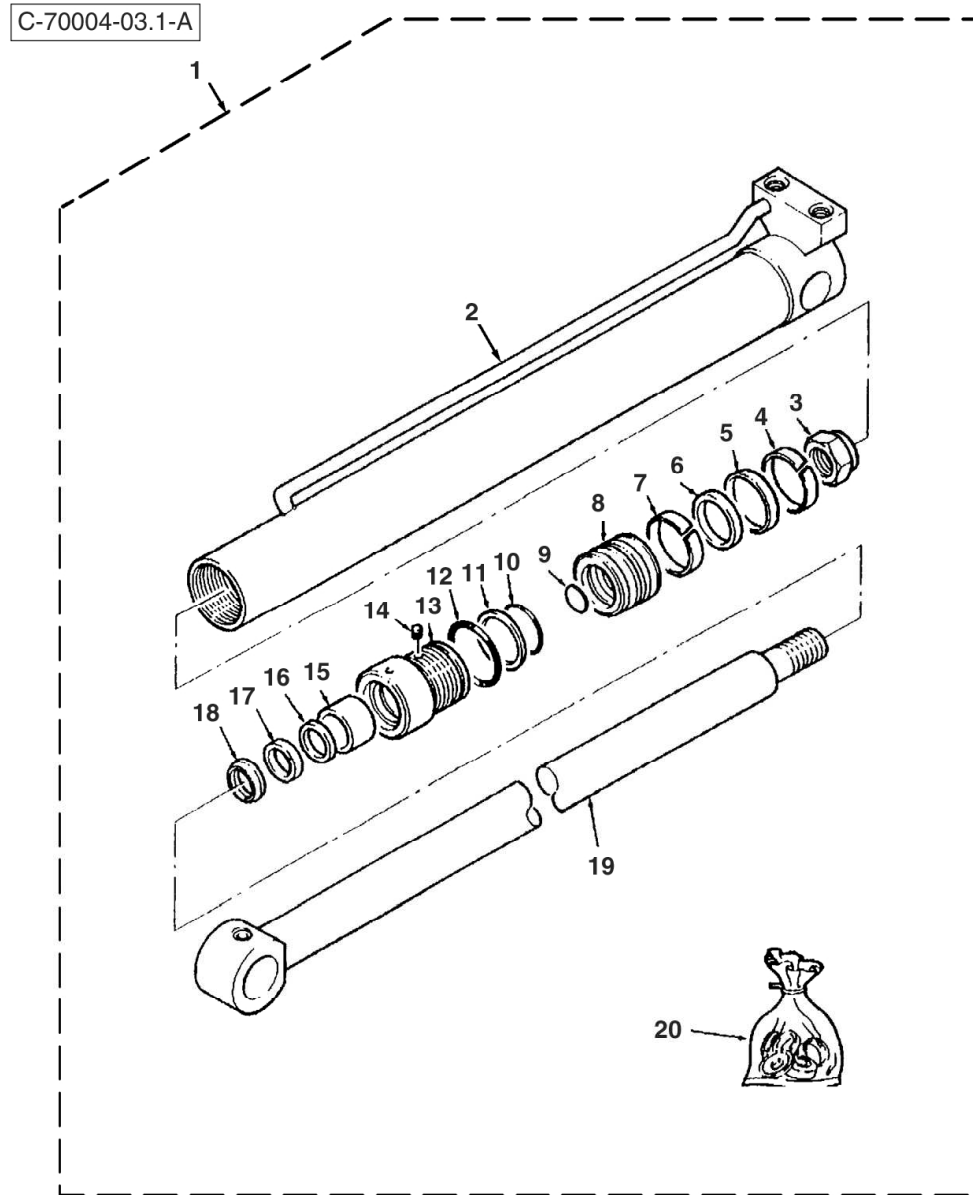
Item	Part No.	Qty.	English	French	German	Spanish	Remarks
1	3521289M3	2	Pin Stabiliser Cyl.	Axe	Bolzen	Pasador	
2	1440478X1	2	Circlip 45mm	Segment D'Arrêt	Sicherungsring	Anillo De Resorte	
3	3521279M2	2	Spacer	Entretoise	Distanzstück	Traviesa	
4	#CYLINDER ASSY	2	Cylinder Assy	Cylinder Assy	Cylinder Assy	Cylinder Assy	[70004c02.1 1] [70004c03.1 1] [70004c03.2 1]
5	3521279M2	2	Spacer	Entretoise	Distanzstück	Traviesa	
6	1440478X1	2	Circlip 45mm	Segment D'Arrêt	Sicherungsring	Anillo De Resorte	
7	3518965M1	0	Wear Pad Natural-6.0mm	Patin D'Usure	Verschleißkissen	Patín De Desgaste	
7	3518936M1	0	Pad Wear Red 6.5/6.25	Patin D'Usure	Verschleißkissen	Patín De Desgaste	
7	3517077M1	0	Pad Sq Grey 5.5/5.25	Patin D'Usure	Verschleißkissen	Patín De Desgaste	
7	6108416M1	0	Wear Pad-Sq're Blue 4.00/3.80	Patin D'Usure	Verschleißkissen	Patín De Desgaste	
7	3521199M3	0	Pad Square Blac 5.0/4.75	Patin D'Usure	Verschleißkissen	Patín De Desgaste	
7	3516684M2	0	Pad Square Yell 4.5/4.25	Patin D'Usure	Verschleißkissen	Patín De Desgaste	
7	6108417M1	0	Wear Pad-Sq're Green 3.60/3.40	Patin D'Usure	Verschleißkissen	Patín De Desgaste	
8	6108420M91	2	Stabiliser Leg Assy Inner S/S	Tige	Schaft	Varilla	
9	3519716M1	0	Pad Round Red 6.5/6.25	Patin D'Usure	Verschleißkissen	Patín De Desgaste	
9	3519714M1	0	Pad Round Grey 5.5/5.25	Patin D'Usure	Verschleißkissen	Patín De Desgaste	
9	3519713M1	0	Pad Round Blac 5.0/4.75	Patin D'Usure	Verschleißkissen	Patín De Desgaste	
9	3519712M1	0	Pad Round Yell 4.5/4.25	Patin D'Usure	Verschleißkissen	Patín De Desgaste	
9	3519715M1	0	Pad Round Natl 6.0/5.75	Patin D'Usure	Verschleißkissen	Patín De Desgaste	
9	6108419M1	0	Wear Pad-Round Green 3.60/3.40	Patin D'Usure	Verschleißkissen	Patín De Desgaste	
9	6108418M1	0	Wear Pad-Round Blue 4.00/3.80	Patin D'Usure	Verschleißkissen	Patín De Desgaste	
10	6102864M1	2	Foot Stabiliser S/S	Pied	Fuß	Pie	
11	3522879M2	2	Pin Stabiliser Foot S/S	Axe	Bolzen	Pasador	
12	1442169X1	2	Cap Screw Soc.Hd.M10 X 90	Vis A Tete Six Pans	Zylinderschraube	Tornillo	
13	1440329X1	2	Nut, Hex. - Nyloc, M10	Ecrou Blocage	Flachmutter M10	Tuerca De Retención	

C-70004-02.1-B



Item	Part No.	Qty.	English	French	German	Spanish	Remarks
1	#CYLINDER ASSY	2	Cylinder Assy	Cylinder Assy	Cylinder Assy	Cylinder Assy	70004c01.1 4 70004c03.1 1 70004c03.2 1
2	832159M91	4	Connector 3/4jic7/8or	Adaptateur	Reduziernippel	Conexión, Conj.	
3	#CONNECTOR	1	Connector	Connector	Connector	Connector	Ref. 1
4	835024M1	1	Ring O - Boa	Joint Torique	O Ring	Junta De Tipo O	
5	6111159M91	2	Tube Assembly - Stab Lock Out	Ensemble Tube	Rohr Kpl	Conjunto De Tubería	Tba Wipro
5	6106053M91	2	Tube-Stab Lockout	Tuyo	Leitung, Kpl.	Conjunto De Tubería	Tba Pacoma
6	6106055M91	2	Tube-Stab Lockout	Tuyo	Leitung, Kpl.	Conjunto De Tubería	Tba Pacoma
6	6111158M91	2	Tube Assembly - Stab Lock Out	Tuyauterie	Rohrleitung Kpl	Conjunto De Tubería	Tba Wipro
7	3519179M91	4	Connector	Borne	Doppelnippel	Conexión, Conj.	
8	#CONNECTOR	1	Connector	Connector	Connector	Connector	Ref. 7
9	831452M1	1	O Ring (Pack Of 10)	Joint Torique	O Ring	Junta De Tipo O	
10	6106226M91	2	Valve-Stab Lockout	Soupape	Ventil	Válvula De Bloqueo.	70004c04.1 1
11	3519179M91	4	Connector	Borne	Doppelnippel	Conexión, Conj.	
12	#CONNECTOR	1	Connector	Connector	Connector	Connector	Ref. 11
13	831452M1	1	O Ring (Pack Of 10)	Joint Torique	O Ring	Junta De Tipo O	
14	6109762M91	1	Hose Assy - Stab L/Out RH Rod	Flexible Ass.	Schlauch Kpl	Flexible, Conj.	
15	6109563M91	1	Hose Assy - Stab L/Out RH Head	Flexible Ass.	Schlauch Kpl	Flexible, Conj.	
16	6109564M91	1	Hose Assy - Stab L/Out LH Rod	Flexible Ass.	Schlauch Kpl	Flexible, Conj.	
17	6109763M91	1	Hose Assy - Stab L/Out LH Head	Flexible Ass.	Schlauch Kpl	Flexible, Conj.	
18	339761X1	6	Bolt M8-25 Z5f	Goupille	Bolzen M8 X 25	Tornillo	
19	390972X1	6	Washer M8-17-1 Zwl	Rondelle M8	Scheibe - M8	Arandela	
20	3522094M2	6	Clamp - Tube	Bride De Fixation	Befestigungshalter	Brida De Fijación	
21	1458385M1	6	Strip	Plaque Antidérapante	Klotz	Placa, Caucho	

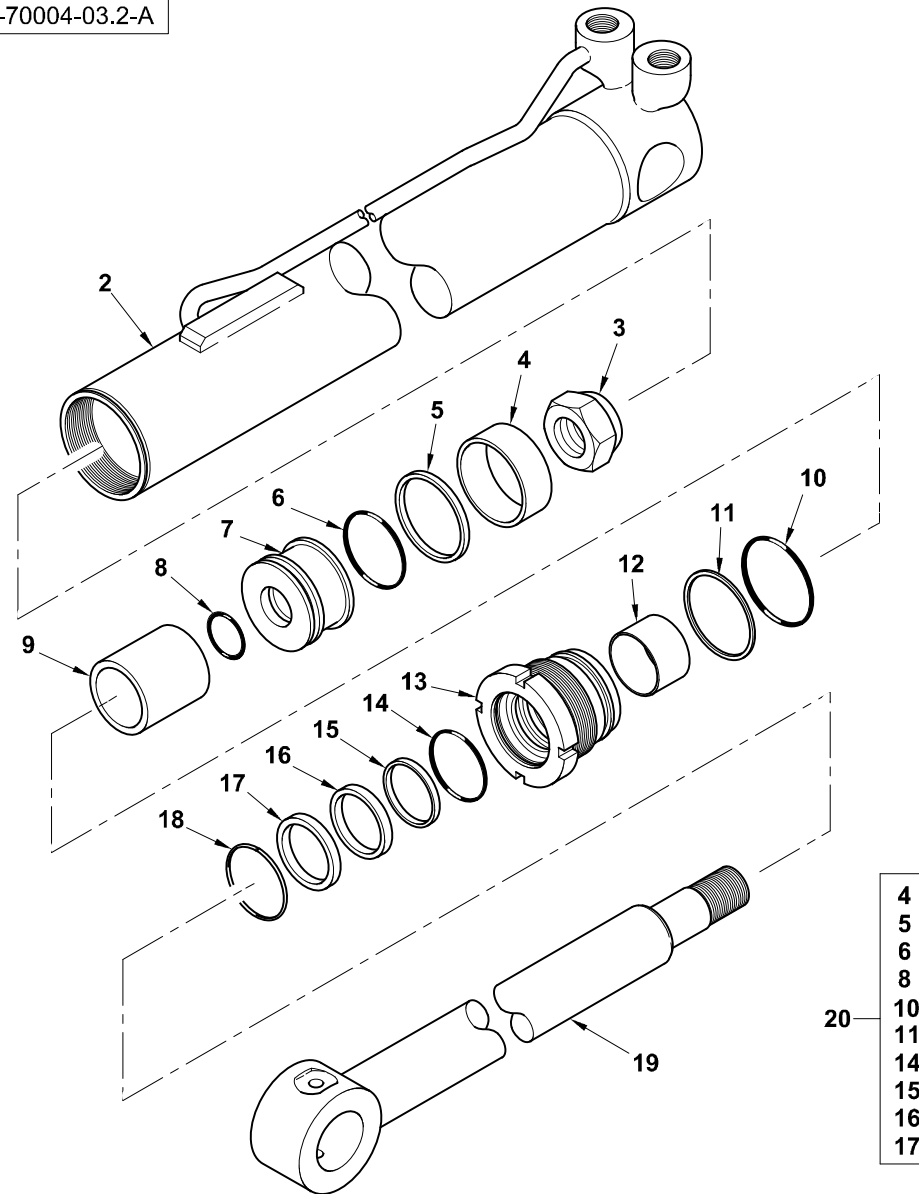




Item	Part No.	Qty.	English	French	German	Spanish	Remarks
1	3622129M94GY02	2	Cylinder Stab Ss Only (Benford Grey)	L´Hie Hydraulique	Zylinder Hydr.	Gato, Conj.	Tba [70004c01.1 4] [70004c02.1 1]
2	3623297M92	1	Barrel Assy	Cylindre De Vérin	Zylinderrohr	Cilindro De Gato	
3	1607690M1	1	Lock Nut M30	Ecrou Frein	Kontermutter	Tuerca	
4	3487067M1	1	Piston Guide Ring 70*10*2	Bague D'Étanchéité	Dichtungsring	Anillo, Estanqueidad	
5	3485241M1	1	Wear Ring Piston	Anneau	Ring	Aro	
6	3485254M1	1	Ring Pressure	Anneau	Ring	Aro	
7	3487067M1	1	Piston Guide Ring 70*10*2	Bague D'Étanchéité	Dichtungsring	Anillo, Estanqueidad	
8	3623299M1	1	Piston	Piston	Kolben	Pistón De Gato	
9	359181X1	1	O-Ring (44.04 Mm Nominal I/D) Shore A90	Joint Torique	O - Ring	Junta De Tipo O	
10	359187X1	1	O-Ring-63,09*3,53	Joint Torique	O Ring	Junta De Tipo O	
11	1884170M1	1	Backring-64.06*3*02	Contre-Joint	Stützring	ContraJunta	
12	3487205M1	1	O Ring, Hydr. Cylinder	Joint Torique	O Ring	Junta De Tipo O	
13	3623298M1	1	Bearing Cylinder	Roulement	Lager	Palier De Gato	
14	3443386M1	1	Retaining Plug	Bouchon	Stopfen	Tapón	
15	3491486M1	1	Bush, Piston Rod/Gland	Douille	Büchse	Anillo	
16	3443341M1	1	Ring Buffer	Bague D'Étanchéité	Dichtungsring	Anillo, Estanqueidad	
17	1606464M1	1	Seal	Joint D´Arbre	Wellendichtring	Junta	
18	1606575M1	1	Wiper Ring	Anneau	Ring	Junta Raspador	
19	3441606M91	1	Piston Rod Assy	Tige De Vérin	Kolbenstange	Vástago Cilindro	
20	3623300M91	0	Kit Seal	Jeu Étanchéité	Dichtringsatz	Juego De Juntas	



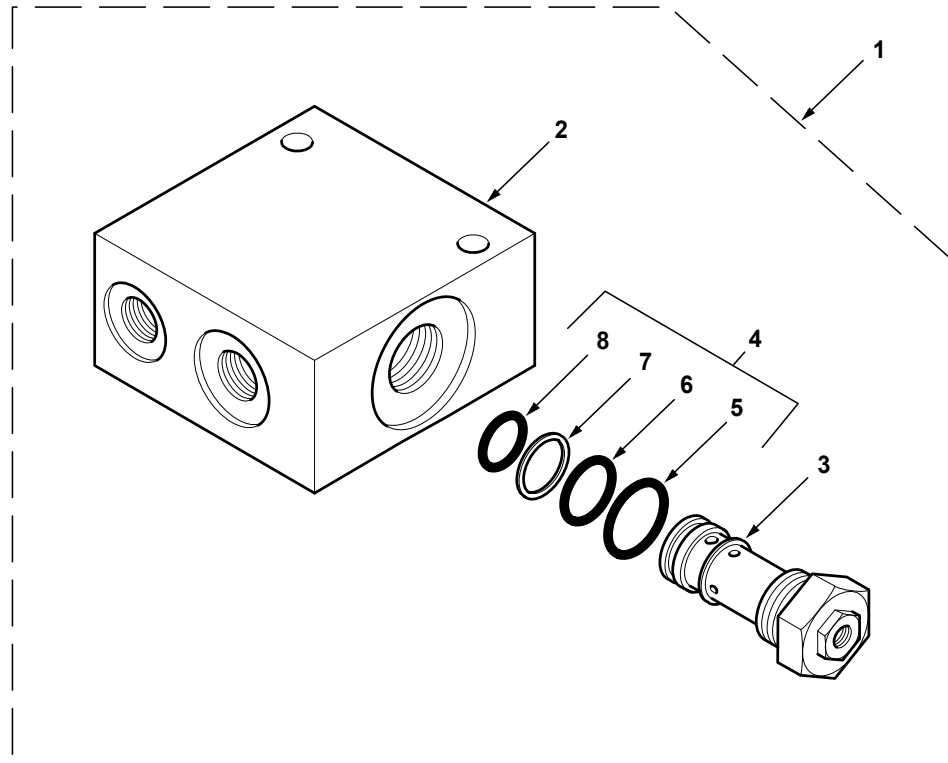
C-70004-03.2-A



Item	Part No.	Qty.	English	French	German	Spanish	Remarks
1	6111068M91GY03	2	Cylinder Stabiliser S/S	Cylindre	Zylinder	Gato, Conj.	Tba [70004c01.1 4] [70004c02.1 1]
2	6194596M91	1	Barrel - Cylinder	Corps Cylindre	Zylindergehause	Tubo	
3	6194600M1	1	Nut - Nyloc	Ecrou Blocage	Flachmutter	Tuerca	
4	6194606M1	1	Bearing - Piston	Coussinet	Lager	Teniendo - Pistón	
5	6194604M1	1	Seal - Piston	Joint Étanchéité	Dichtring	Junta	
6	6194605M1	1	O Ring (Std)	Joint Torique	O Ring	Junta De Tipo O	
7	6194598M1	1	Piston	Piston	Kolben	Pistón	
8	6194607M1	1	O Ring (Std)	Joint Torique	O Ring	Junta De Tipo O	
9	6194601M1	1	Stop Tube	Tube Butee	Rohr Anschlag	Pare - Tubo	
10	6194613M1	1	Ring - Back Up	Contre Bague	Stutzring	ContraJunta	
11	6194612M1	1	O Ring (Std)	Joint Torique	O Ring	Junta De Tipo O	
12	6194602M1	1	Bush - Bimetal	Douille	Büchse	Juego De Anillos	
13	6194599M1	1	End Cover - Head	Couvercle	Deckel	Tapa	
14	6194609M1	1	O Ring (Std)	Joint Torique	O Ring	Junta De Tipo O	
15	6194608M1	1	Seal - Rod (Primary)	Joint Étanchéité	Dichtring	Junta	
16	6194610M1	1	Seal- Rod (Secondary)	Joint Étanchéité	Dichtring	Junta	
17	6194611M1	1	Wiper	Essuyeur	Wischer	Raspador, Escobilla	
18	6194603M1	1	Ring - Snap	Fermeoir	Sprengring	Anillo De Resorte	
19	6194597M91	1	Rod - Piston	Bielle De Piston	Pleuelstange	Rod - Pistón	
20	6194614M91	0	Seal Kit	Jeu Etancheite	Dichtringsatz	Juego De Juntas	



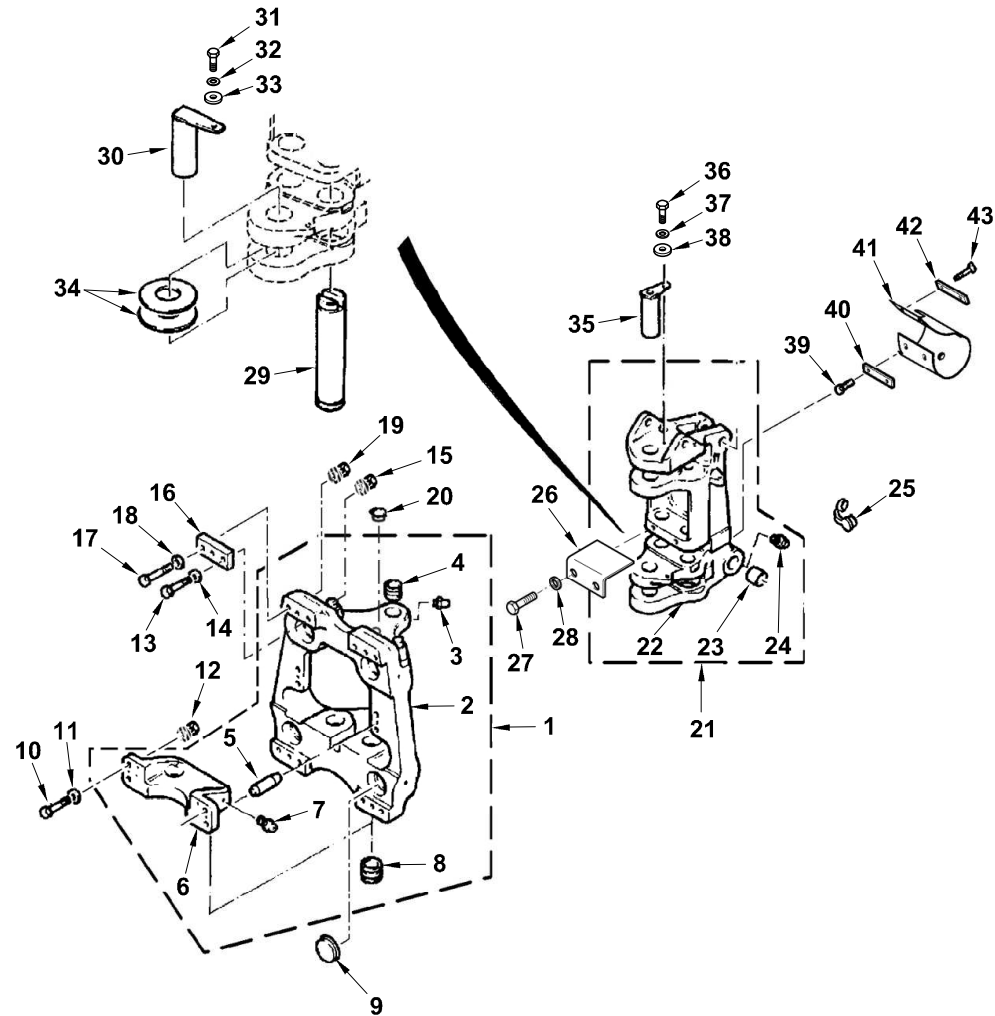
C-70004-04.1-A



Item	Part No.	Qty.	English	French	German	Spanish	Remarks
1	6106226M91	2	Valve-Stab Lockout	Soupape	Ventil	Válvula De Bloqueo.	70004c02.1 10
2	#BODY	1	Body	Body	Body	Body	Ref. 1
3	6190746M91	1	Valve-Pilot Operated Check	Soupape	Ventil	Válvula De Pilotaje	
4	6190747M91	0	Package Seals	Pochette De Joints	Dichtungssatz	Juego De Juntas	
5	#O-RING	1	O-Ring	Joint Torique	O-Ring	Junta Tórica	Ref. 4
6	#O-RING	1	O-Ring	Joint Torique	O-Ring	Junta Tórica	Ref. 4
7	#SEAL	1	Seal	Joint Étanchéité	Dichtring	Retén	Ref. 4
8	#O-RING	1	O-Ring	Joint Torique	O-Ring	Junta Tórica	Ref. 4



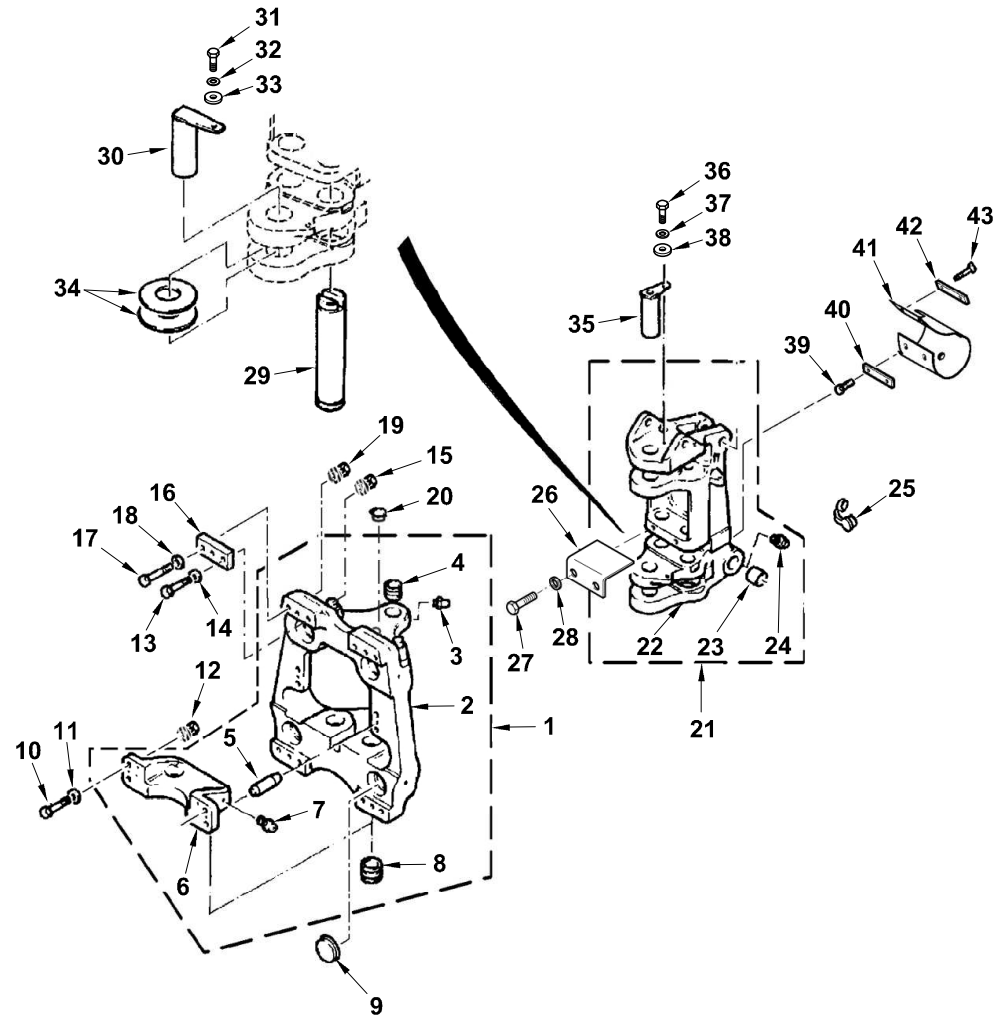
C-71001-01.1-B



Item	Part No.	Qty.	English	French	German	Spanish	Remarks
1	3518089M95	1	Mast Casting - Sideshift Digger.	Ensemble De Bati	Rahmen Kpl.	Bastidor, Conj.	
2	#FRAME	1	Frame	Frame	Frame	Frame	Ref. 1
3	339608X1	4	Grease Nipple - M10 X 1 (Zinc)	Nipple De Graissage	Schmiernippel	Engrasador	
4	3500312M3	2	Bush, Mast/Pivot Pins	Douille	Buechse	Anillo	
5	3522954M1	2	Dowel 12 X 55	Goupille Position.	Pasststift	Peón	
6	#MOUNT	1	Mount	Mount	Mount	Mount	Ref. 1
7	339608X1	2	Grease Nipple - M10 X 1 (Zinc)	Nipple De Graissage	Schmiernippel	Engrasador	
8	3521388M5	4	Bush, Lower - Mast/Pivot	Douille	Buechse	Anillo	
9	6110790M91	4	Clamp Seal Assy	Ensemble De Joint	Dichtung	Junta, Conj.	
10	3522187M2	4	Bolt M20-100 P 10.9	Goupille	Bolzen	Tornillo	
11	385365X1	8	Washer Hardened M20	Rondelle	Scheibe	Arandela	
12	3522225M3	4	Nut M20	Ecrou	Mutter	Tuerca	
13	3522254M2	2	Bolt M24-140 (0.58kg)	Goupille	Bolzen	Tornillo	
14	3517388M1	4	Special Washer M24	Rondelle	Scheibe	Arandela	
15	6110797M1	2	Nut - M24	Ecrou - M24	Mutter - M24	Tuerca	
16	3521610M1	4	Plate - Clamp	Platine	Klemmplatte	Placa De Abrazo	
17	3522255M2	10	Bolt M24-150 (0.61kg)	Goupille	Sechskantschraube	Tornillo	
18	3517388M1	20	Special Washer M24	Rondelle	Scheibe	Arandela	
19	6110797M1	10	Nut - M24	Ecrou - M24	Mutter - M24	Tuerca	
20	T102199	2	Plug (Plastic)	Bouchon	Stopfen	Tapon	
21	3517861M95	1	Pivot Assy - Swing	Pivot	Drehzapfen	Pivote, Conj.	
22	#PIVOT	1	Pivot	Pivot	Pivot	Pivot	Ref. 21
23	3500047M4	2	Bush, Pivot/Boom Mounting	Douille	Buechse	Anillo	
24	339608X1	1	Grease Nipple - M10 X 1 (Zinc)	Nipple De Graissage	Schmiernippel	Engrasador	
25	3516180M2	7	Cap Grease Nipple	Cache	Abdeckung	Tapa	
26	6102858M5	1	Angle-Pin Retainer	Patte Fixation	Halter	Fijación	
27	6007776M1	2	Bolt M10 X 30	Goupille	Bolzen	Perno	
28	385362X1	2	Washer, Hardened - M10	Rondelle - M10	Unterlegscheibe M10	Arandela	
29	6102859M1	2	Pin * R Type *	Goupille	Bolzen	Pasador	
30	6111415M91	1	Pin Assy Swing Pivot - Bottom	Goupille	Bolzen	Pasador	



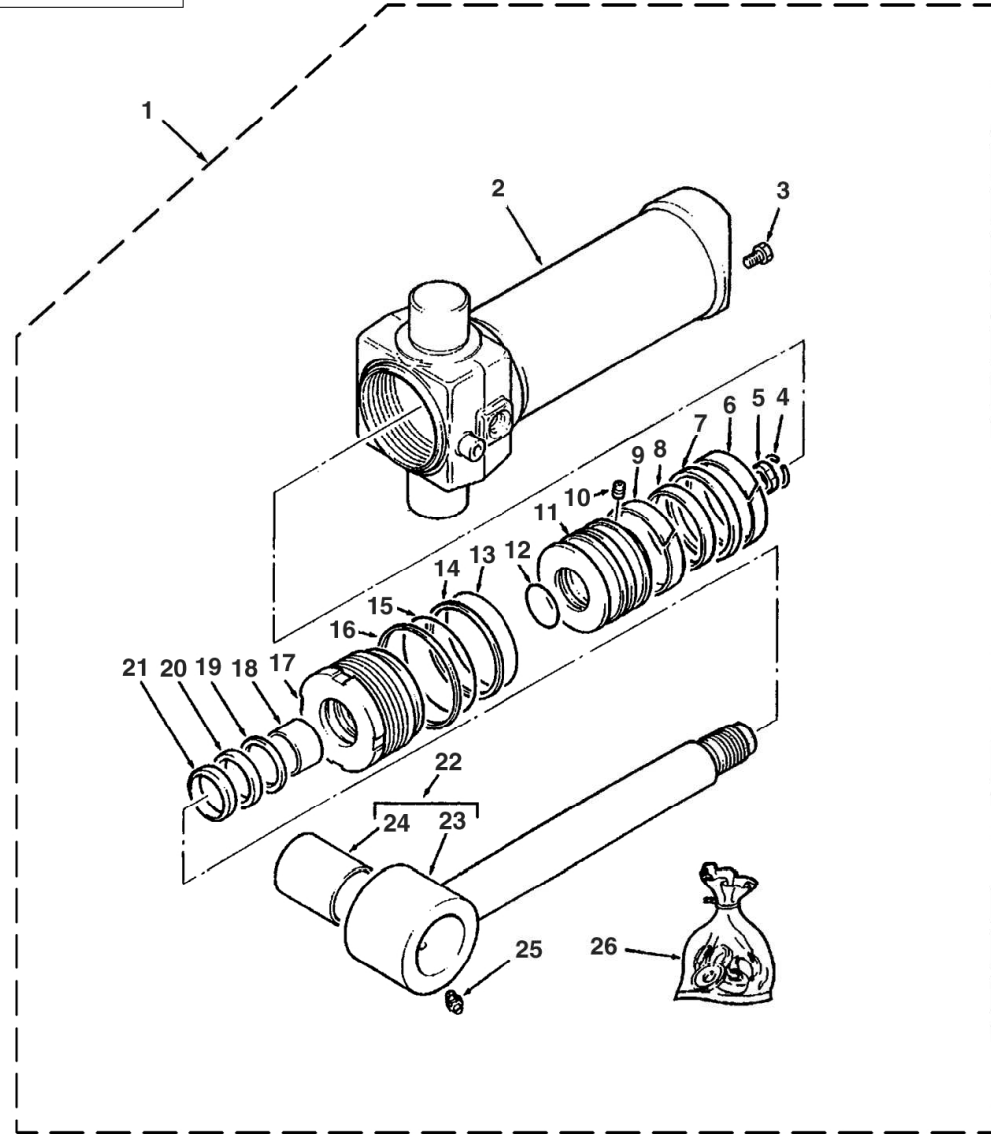
C-71001-01.1-B



Item	Part No.	Qty.	English	French	German	Spanish	Remarks
31	3009493X1	1	Bolt M10-30 Z5c	Boulon M10 X 30	Maschschraube M10	Perno	
32	6111417M1	1	Spacer	Entretoise	Abstandstück	Traviesa	
33	390597X1	1	Washer, Large - M10	Rondelle	Scheible	Arandela	
34	3521389M1	2	Washer, Thrust - Pivot Post	Rondelle De Butee	Druckscheibe	Arandela De Tope	
35	6111412M91	1	Pin Assy Swing Pivot - Top	Goupille	Bolzen	Pasador	
36	3009493X1	1	Bolt M10-30 Z5c	Boulon M10 X 30	Maschschraube M10	Perno	
37	6111417M1	1	Spacer	Entretoise	Abstandstück	Traviesa	
38	390597X1	1	Washer, Large - M10	Rondelle	Scheible	Arandela	
39	339123X1	2	Bolt M8-20 Z5f	Boulon M8 X 20	Maschschraube M8	Perno	
40	6101936M1	1	Plate-Clamping	Plaque	Platte	Placa	
41	6101935M2	1	Strip-Hose Protection	Protection	Schutzvorrichtung	Protector	
42	6101936M1	1	Plate-Clamping	Plaque	Platte	Placa	
43	339123X1	2	Bolt M8-20 Z5f	Boulon M8 X 20	Maschschraube M8	Perno	

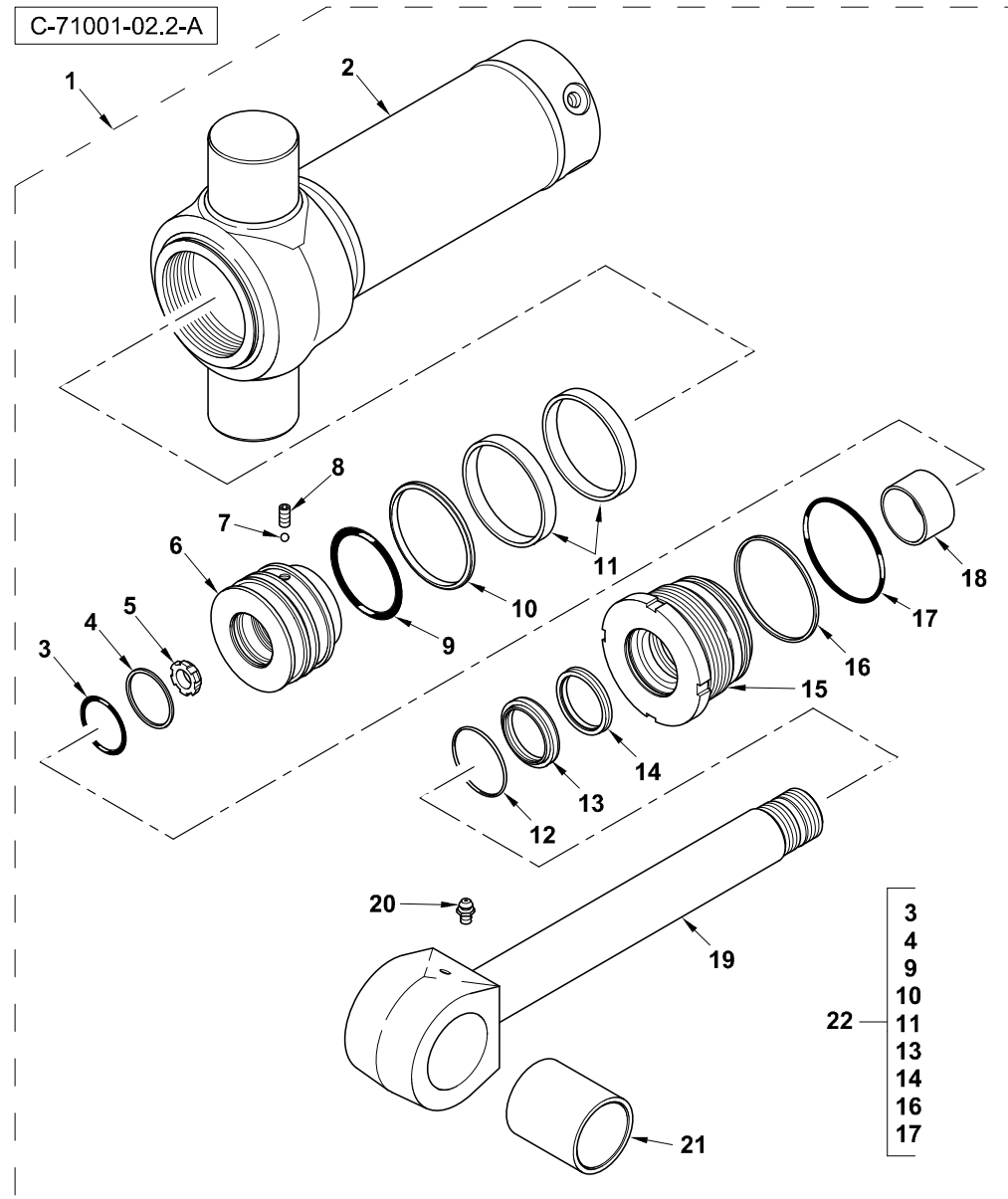


C-71001-02.1-A



Item	Part No.	Qty.	English	French	German	Spanish	Remarks
1	3622124M94	1	Cylinder Slew RH	L´Hie Hydraulique	Zylinder Hydr.	Gato, Conj.	
1	3622137M94	1	Cylinder Slew LH	L´Hie Hydraulique	Zylinder Hydr.	Gato, Conj.	
2	3623363M93	1	Barrel Assy	Cylindre De Vérin	Zylinderrohr	Cilindro De Gato	
2	3623350M93	1	Barrel Assy	Cylindre De Vérin	Zylinderrohr	Cilindro De Gato	
3	3623369M1	1	Plug	Bouchon	Stopfen	Tapón	
4	3186587M1	1	Snap Ring	Anneau D´Arrêt	Sprengring	Anillo De Resorte	
5	3186586M1	1	Ring Cushioning	Anneau	Ring	Aro	
6	3485892M1	1	Guide Ring Piston	Bague D¿Étanchéité	Dichtungsring	Anillo, Estanqueidad	
7	3485245M91	1	Seal Assy Piston	Joint Ass.	Dichtung Kplt	Junta, Conj.	
8	3485258M1	1	Ring Pressure	Joint	Dichtung	Junta	
9	3485892M1	1	Guide Ring Piston	Bague D¿Étanchéité	Dichtungsring	Anillo, Estanqueidad	
10	3402928M1	1	Screw, Socket Head - Piston Locating	Vis Tête Hex	Zylinderschraube	Tornillo	
11	3623361M1	1	Piston	Piston	Kolben	Pistón De Gato	
12	377328X1	1	O-Ring	Joint Torique	O-Ring	Junta De Tipo O	
13	359193X1	1	O-Ring	Joint Torique	O-Ring	Junta De Tipo O	
14	1606735M1	1	Ring Back-Up	Contre Bague	Stützring	ContraJunta	
15	3487207M1	1	O-Ring	Joint Torique	O-Ring	Junta De Tipo O	
16	1608541M1	1	Ring Retaining	Anneau De Retenue	Befestigungsring	Anillo De Retención	
17	3623362M1	1	Bearing Cylinder	Roulement	Lager	Palier De Gato	
18	3491486M1	1	Bush, Piston Rod/Gland	Douille	Büchse	Anillo	
19	3443341M1	1	Ring Buffer	Bague D¿Étanchéité	Dichtungsring	Anillo, Estanqueidad	
20	1606464M1	1	Seal	Joint D´Arbre	Wellendichtring	Junta	
21	1606575M1	1	Wiper Ring	Anneau	Ring	Junta Raspador	
22	3623351M91	1	Piston Rod Assy	Tige De Vérin	Kolbenstange	Vástago Cilindro	
23	#ROD, PISTON	1	Rod, Piston	Rod, Piston	Rod, Piston	Rod, Piston	Ref. 22
24	3623360M1	2	Bush, Hydr. Cylinder	Douille	Buechse	Anillo	
25	13811X	1	Grease Nipple	Nipple De Graissage	Schmiernippel	Engrasador	
26	3623368M91	1	Kit Seal	Jeu Etancheite	Dichtringsatz	Juego De Juntas	

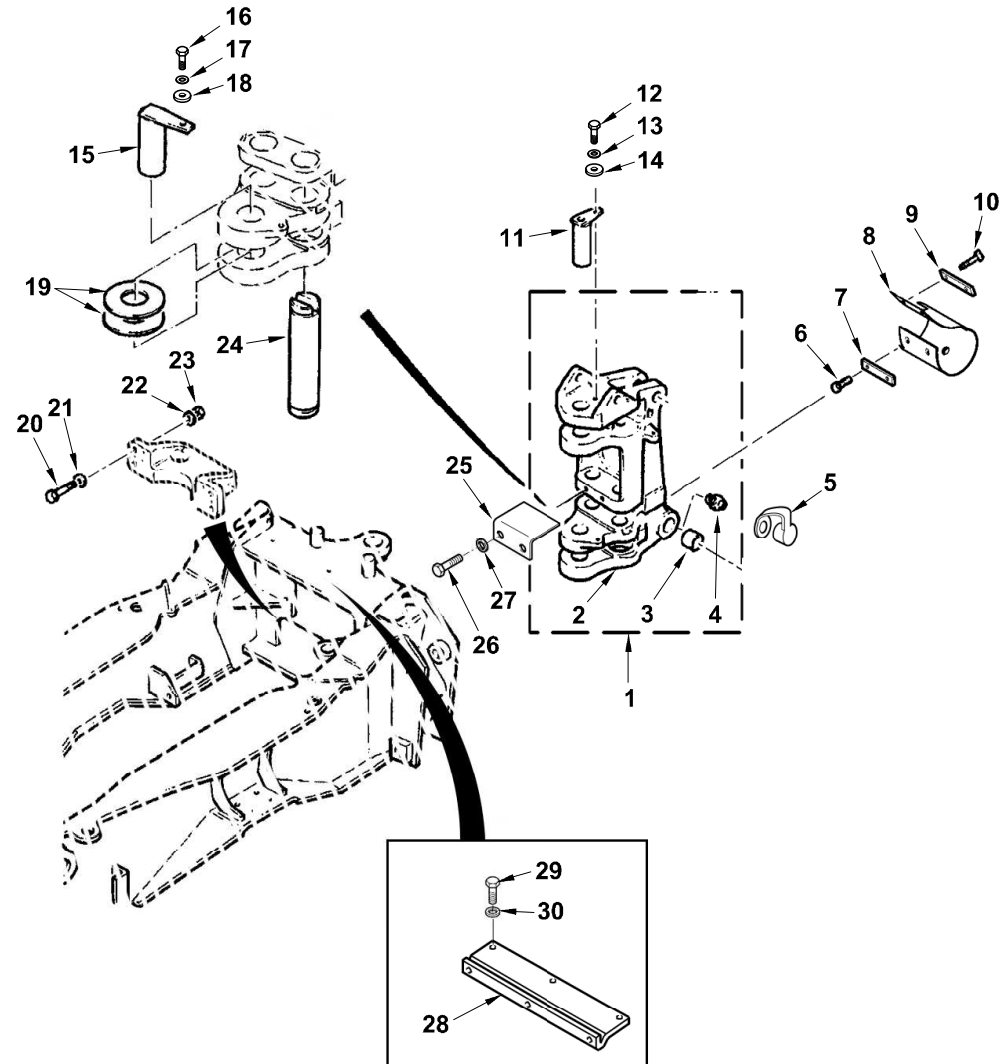




Item	Part No.	Qty.	English	French	German	Spanish	Remarks
1	6111073M91GY03	2	Cylinder Slew	Cylindre	Zylinder	Cilindro	
2	6195201M91GY03	1	Tube - S/A (Terex Grey)	Tube - S/A (Terex Grey)	Tube - S/A (Terex Grey)	Tube - S/A (Terex Grey)	
3	6195193M1	1	O-Ring	O-Ring	O-Ring	O-Ring	
4	6194549M1	1	Ring - Back Up	Contre Bague	Stutzring	Contrajunta	
5	6195179M1	1	Ring - Cushioning	Ring - Cushioning	Ring - Cushioning	Ring - Cushioning	
6	6195196M1	1	Piston	Piston	Piston	Piston	
7	6195182M1	1	Ball - Steel Ch. Alloy	Ball - Steel Ch. Alloy	Ball - Steel Ch. Alloy	Ball - Steel Ch. Alloy	
8	6195199M1	1	Screw - Set	Screw - Set	Screw - Set	Screw - Set	
9	6195186M1	1	O-Ring	O-Ring	O-Ring	O-Ring	
10	6194635M1	1	Seal - Piston	Joint Étanchéité	Dichtring	Junta	
11	6194634M1	1	Bearing - Piston	Coussinet	Lager	Teniendo - Pistón	
12	6194603M1	1	Ring - Snap	Fermeoir	Sprengring	Anillo De Resorte	
13	6194611M1	1	Wiper	Essuyeur	Wischer	Raspador, Escobilla	
14	6195194M1	1	Seal - Rod	Seal - Rod	Seal - Rod	Seal - Rod	
15	6195197M1	1	Cover - Head End	Cover - Head End	Cover - Head End	Cover - Head End	
16	6194641M1	1	Ring - Back Up	Contre Bague	Stutzring	Contrajunta	
17	6195189M1	1	O-Ring	O-Ring	O-Ring	O-Ring	
18	6195195M1	1	Bush - Bimetal	Bush - Bimetal	Bush - Bimetal	Bush - Bimetal	
19	6195200M91	1	Piston Rod - S/A	Piston Rod - S/A	Piston Rod - S/A	Piston Rod - S/A	
20	6194542M1	1	Nipple - Grease	Graisser Coude	Nippel	Manguito, Engrasador	
21	6195198M1	2	Bush	Bush	Bush	Bush	
22	6195202M91	1	Seal Kit	Jeu Etancheite	Dichtringsatz	Juego Retenes	



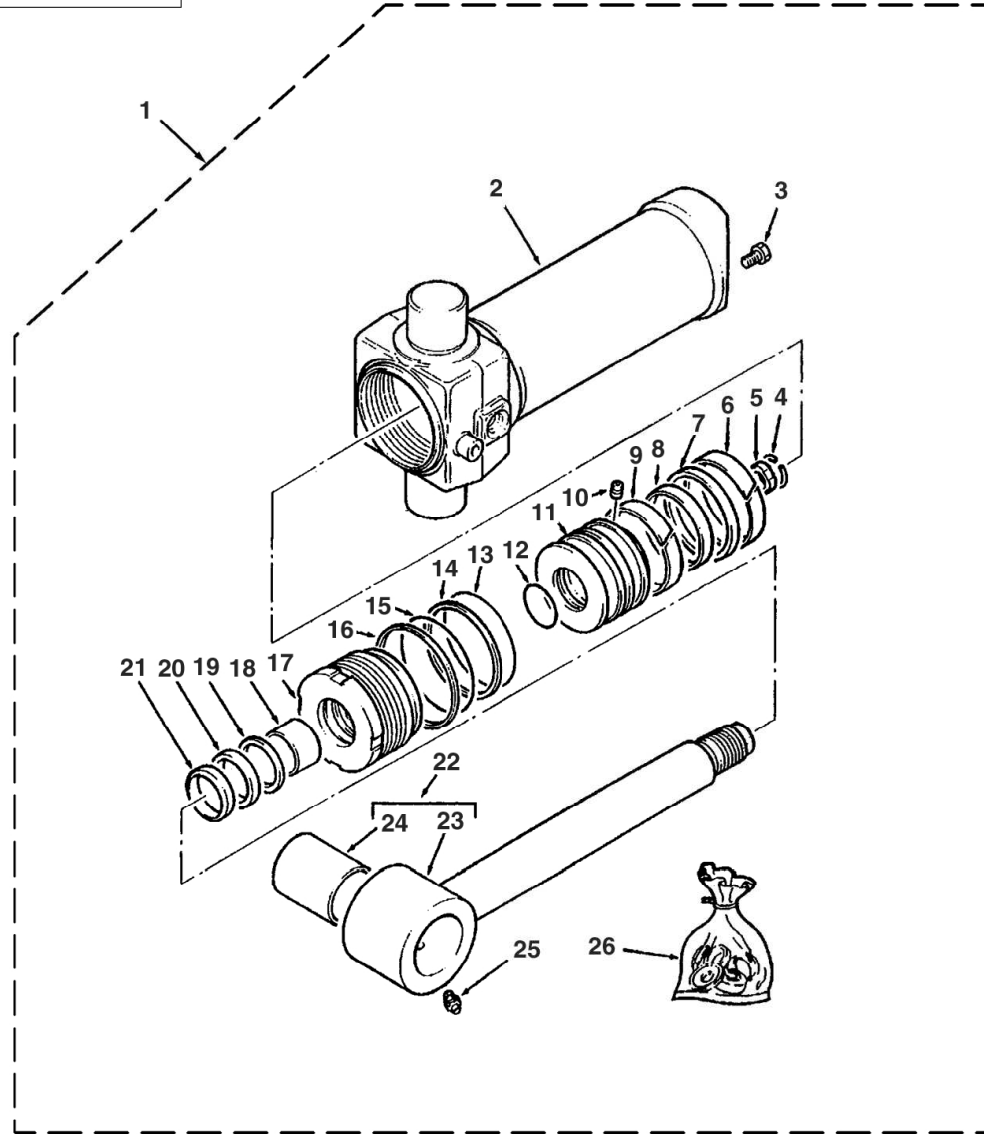
C-71002-01.1-B



Item	Part No.	Qty.	English	French	German	Spanish	Remarks
1	3517861M95	1	Pivot Assy - Swing	Pivot	Drehzapfen	Pivote, Conj.	
2	#PIVOT	1	Pivot	Pivot	Pivot	Pivot	Ref. 1
3	3500047M4	2	Bush, Pivot/Boom Mounting	Douille	Buechse	Anillo	
4	339608X1	1	Grease Nipple - M10 X 1 (Zinc)	Nipple De Graissage	Schmiernippel	Engrasador	
5	3516180M2	1	Cap Grease Nipple	Cache	Abdeckung	Tapa	
6	339123X1	2	Bolt M8-20 Z5f	Boulon M8 X 20	Maschschraube M8	Perno	
7	6101936M1	1	Plate-Clamping	Plaque	Platte	Placa	
8	6101935M2	1	Strip-Hose Protection	Protection	Schutzvorrichtung	Protector	
9	6101936M1	1	Plate-Clamping	Plaque	Platte	Placa	
10	339123X1	2	Bolt M8-20 Z5f	Boulon M8 X 20	Maschschraube M8	Perno	
11	6111412M91	1	Pin Assy Swing Pivot - Top	Goupille	Bolzen	Pasador	
12	3009493X1	1	Bolt M10-30 Z5c	Boulon M10 X 30	Maschschraube M10	Perno	
13	6111417M1	1	Spacer	Entretoise	Abstandstück	Traviesa	
14	390597X1	1	Washer, Large - M10	Rondelle	Scheibe	Arandela	
15	6111415M91	1	Pin Assy Swing Pivot - Bottom	Goupille	Bolzen	Pasador	
16	3009493X1	1	Bolt M10-30 Z5c	Boulon M10 X 30	Maschschraube M10	Perno	
17	6111417M1	1	Spacer	Entretoise	Abstandstück	Traviesa	
18	390597X1	1	Washer, Large - M10	Rondelle	Scheibe	Arandela	
19	3521389M1	2	Washer, Thrust - Pivot Post	Rondelle De Butee	Druckscheibe	Arandela De Tope	
20	3517442M1	4	Bolt M20 X 90	Goupille	Bolzen	Tornillo	
21	385365X1	4	Washer Hardened M20	Rondelle	Scheibe	Arandela	
22	385365X1	4	Washer Hardened M20	Rondelle	Scheibe	Arandela	
23	3522225M3	4	Nut M20	Ecrou	Mutter	Tuerca	
24	6102859M1	2	Pin * R Type *	Goupille	Bolzen	Pasador	
25	6102858M5	1	Angle-Pin Retainer	Patte Fixation	Halter	Fijación	
26	6007776M1	2	Bolt M10 X 30	Goupille	Bolzen	Perno	
27	385362X1	2	Washer, Hardened - M10	Rondelle - M10	Unterlegscheibe M10	Arandela	
28	3517296M1	1	Cover Plate	Plaque De Fermeture	Verschlussplatte	Placa De Cierre	
29	339124X1	5	Bolt M8-16 Z5f	Goupille	Maschschrb Metr - M8	Tornillo	
30	390972X1	5	Washer M8-17-1 Zwl	Rondelle M8	Scheibe - M8	Arandela	

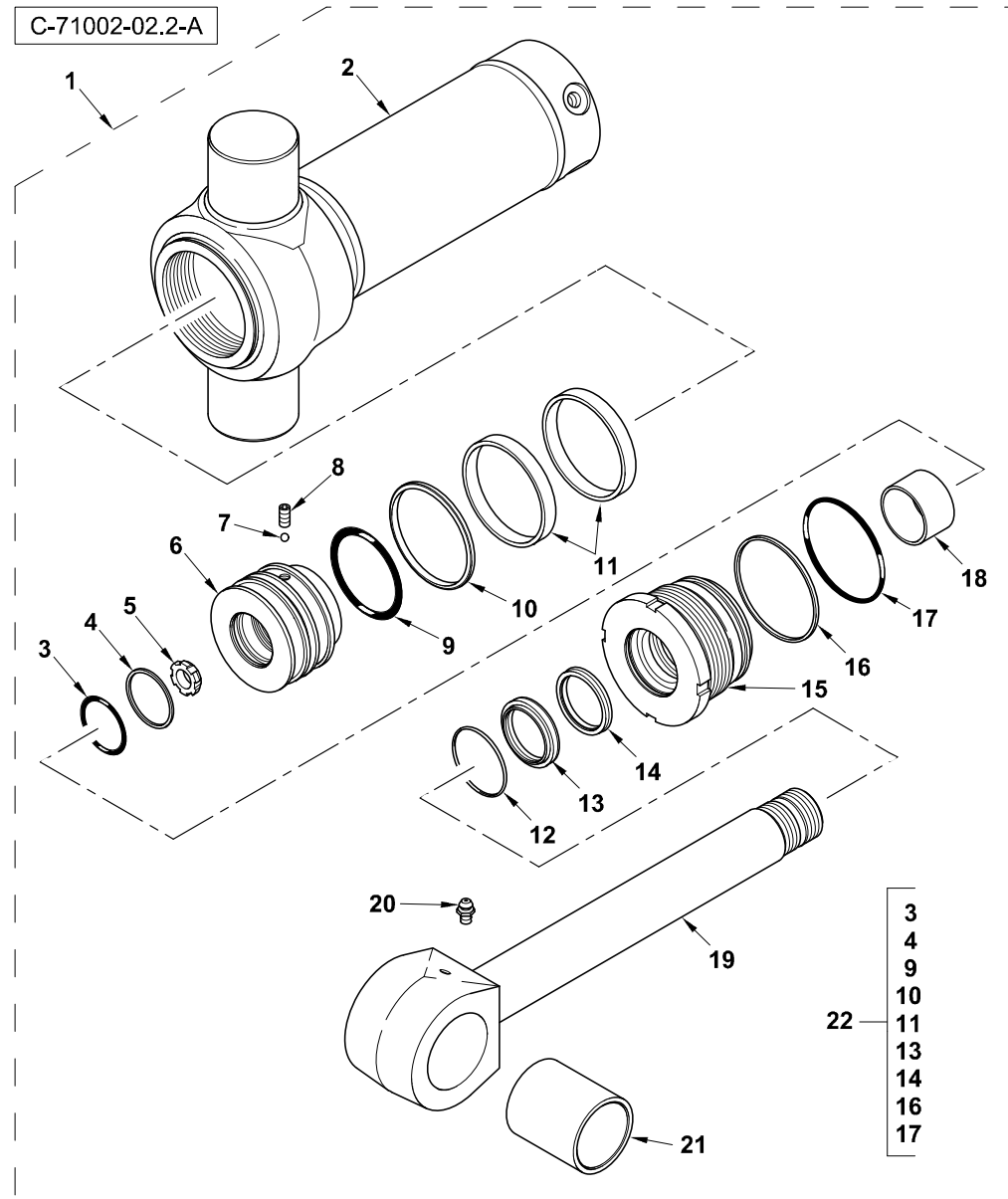


C-71002-02.1-A



Item	Part No.	Qty.	English	French	German	Spanish	Remarks
1	3622124M94	1	Cylinder Slew RH	L´Hie Hydraulique	Zylinder Hydr.	Gato, Conj.	
1	3622137M94	1	Cylinder Slew LH	L´Hie Hydraulique	Zylinder Hydr.	Gato, Conj.	
2	3623363M93	1	Barrel Assy	Cylindre De Vérin	Zylinderrohr	Cilindro De Gato	
2	3623350M93	1	Barrel Assy	Cylindre De Vérin	Zylinderrohr	Cilindro De Gato	
3	3623369M1	1	Plug	Bouchon	Stopfen	Tapón	
4	3186587M1	1	Snap Ring	Anneau D´Arrêt	Sprengring	Anillo De Resorte	
5	3186586M1	1	Ring Cushioning	Anneau	Ring	Aro	
6	3485892M1	1	Guide Ring Piston	Bague D¿Étanchéité	Dichtungsring	Anillo, Estanqueidad	
7	3485245M91	1	Seal Assy Piston	Joint Ass.	Dichtung Kplt	Junta, Conj.	
8	3485258M1	1	Ring Pressure	Joint	Dichtung	Junta	
9	3485892M1	1	Guide Ring Piston	Bague D¿Étanchéité	Dichtungsring	Anillo, Estanqueidad	
10	3402928M1	1	Screw, Socket Head - Piston Locating	Vis Tête Hex	Zylinderschraube	Tornillo	
11	3623361M1	1	Piston	Piston	Kolben	Pistón De Gato	
12	377328X1	1	O-Ring	Joint Torique	O-Ring	Junta De Tipo O	
13	359193X1	1	O-Ring	Joint Torique	O-Ring	Junta De Tipo O	
14	1606735M1	1	Ring Back-Up	Contre Bague	Stützring	ContraJunta	
15	3487207M1	1	O-Ring	Joint Torique	O-Ring	Junta De Tipo O	
16	1608541M1	1	Ring Retaining	Anneau De Retenue	Befestigungsring	Anillo De Retención	
17	3623362M1	1	Bearing Cylinder	Roulement	Lager	Palier De Gato	
18	3491486M1	1	Bush, Piston Rod/Gland	Douille	Büchse	Anillo	
19	3443341M1	1	Ring Buffer	Bague D¿Étanchéité	Dichtungsring	Anillo, Estanqueidad	
20	1606464M1	1	Seal	Joint D´Arbre	Wellendichtring	Junta	
21	1606575M1	1	Wiper Ring	Anneau	Ring	Junta Raspador	
22	3623351M91	1	Piston Rod Assy	Tige De Vérin	Kolbenstange	Vástago Cilindro	
23	#ROD, PISTON	1	Rod, Piston	Rod, Piston	Rod, Piston	Rod, Piston	Ref. 22
24	3623360M1	2	Bush, Hydr. Cylinder	Douille	Buechse	Anillo	
25	13811X	1	Grease Nipple	Nipple De Graissage	Schmiernippel	Engrasador	
26	3623368M91	1	Kit Seal	Jeu Etancheite	Dichtringsatz	Juego De Juntas	

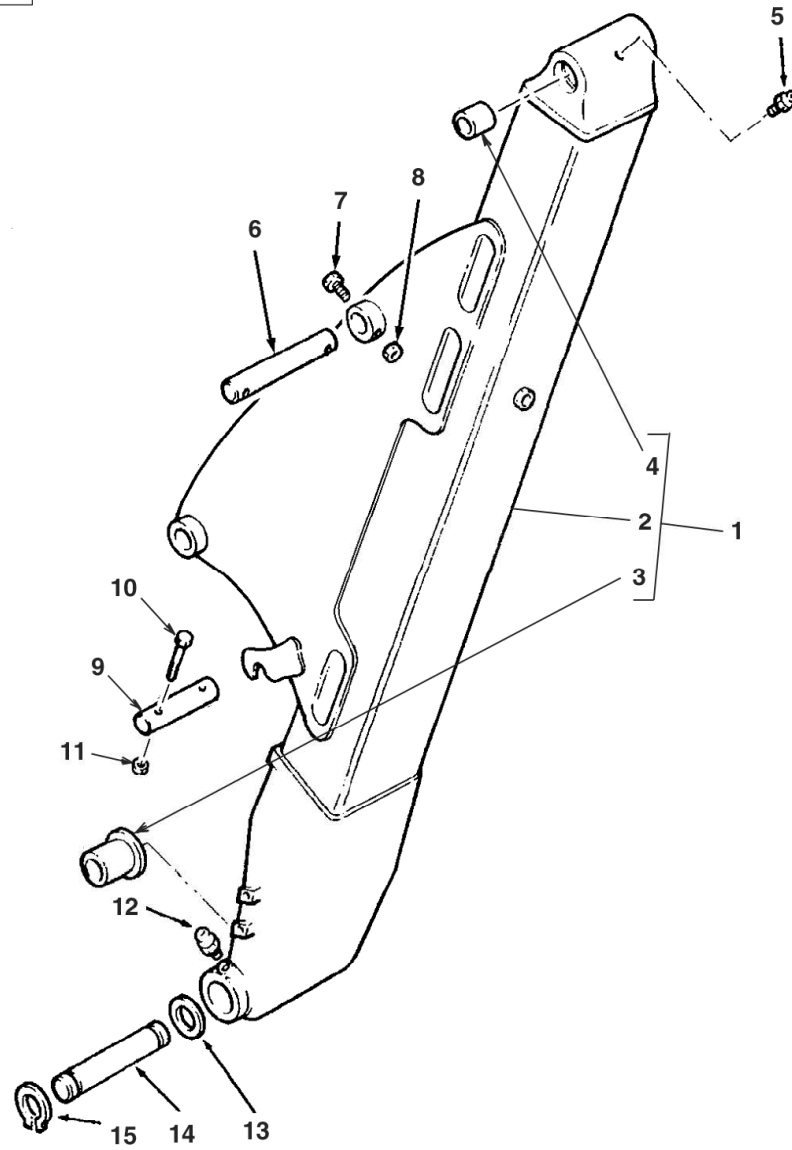




Item	Part No.	Qty.	English	French	German	Spanish	Remarks
1	6111073M91GY03	2	Cylinder Slew	Cylindre	Zylinder	Cilindro	
2	6195201M91GY03	1	Tube - S/A (Terex Grey)	Tube - S/A (Terex Grey)	Tube - S/A (Terex Grey)	Tube - S/A (Terex Grey)	
3	6195193M1	1	O-Ring	O-Ring	O-Ring	O-Ring	
4	6194549M1	1	Ring - Back Up	Contre Bague	Stutzring	Contrajunta	
5	6195179M1	1	Ring - Cushioning	Ring - Cushioning	Ring - Cushioning	Ring - Cushioning	
6	6195196M1	1	Piston	Piston	Piston	Piston	
7	6195182M1	1	Ball - Steel Ch. Alloy	Ball - Steel Ch. Alloy	Ball - Steel Ch. Alloy	Ball - Steel Ch. Alloy	
8	6195199M1	1	Screw - Set	Screw - Set	Screw - Set	Screw - Set	
9	6195186M1	1	O-Ring	O-Ring	O-Ring	O-Ring	
10	6194635M1	1	Seal - Piston	Joint Étanchéité	Dichtring	Junta	
11	6194634M1	1	Bearing - Piston	Coussinet	Lager	Teniendo - Pistón	
12	6194603M1	1	Ring - Snap	Fermeoir	Sprengring	Anillo De Resorte	
13	6194611M1	1	Wiper	Essuyeur	Wischer	Raspador, Escobilla	
14	6195194M1	1	Seal - Rod	Seal - Rod	Seal - Rod	Seal - Rod	
15	6195197M1	1	Cover - Head End	Cover - Head End	Cover - Head End	Cover - Head End	
16	6194641M1	1	Ring - Back Up	Contre Bague	Stutzring	Contrajunta	
17	6195189M1	1	O-Ring	O-Ring	O-Ring	O-Ring	
18	6195195M1	1	Bush - Bimetal	Bush - Bimetal	Bush - Bimetal	Bush - Bimetal	
19	6195200M91	1	Piston Rod - S/A	Piston Rod - S/A	Piston Rod - S/A	Piston Rod - S/A	
20	6194542M1	1	Nipple - Grease	Graisser Coude	Nippel	Manguito, Engrasador	
21	6195198M1	2	Bush	Bush	Bush	Bush	
22	6195202M91	1	Seal Kit	Jeu Etancheite	Dichtringsatz	Juego Retenes	

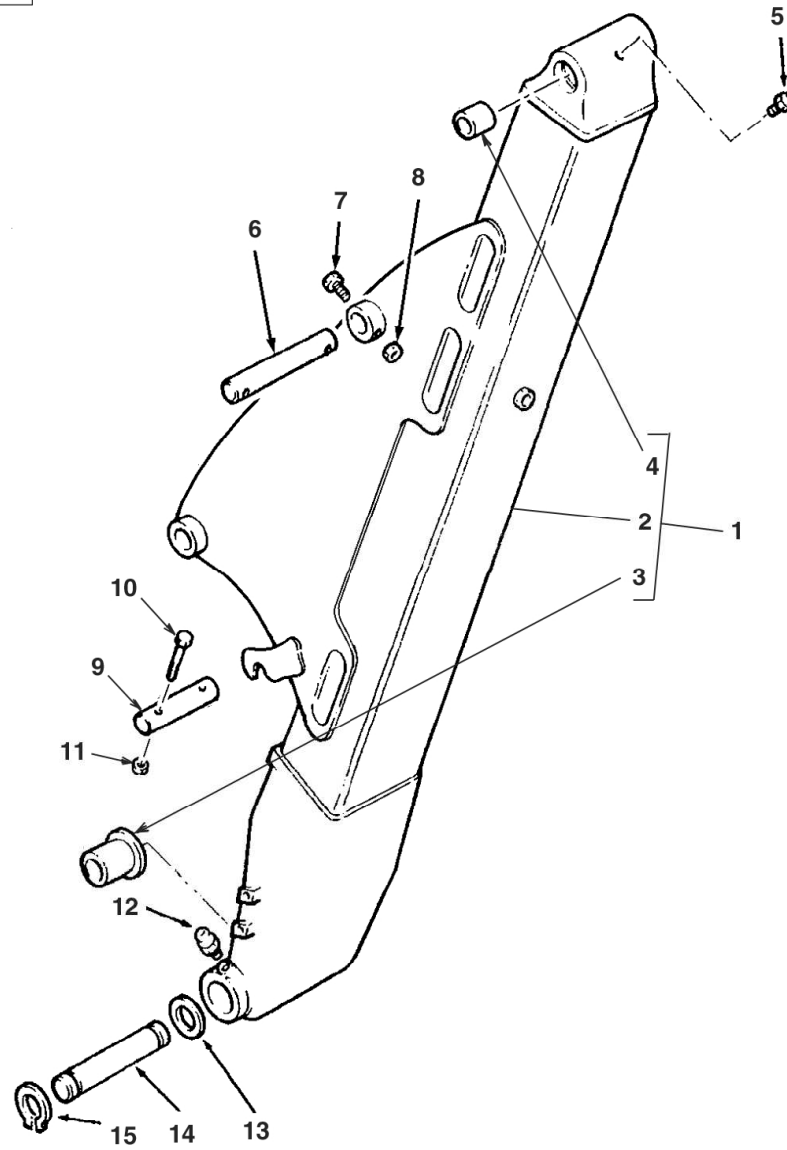


C-72001-01.1-A



Item	Part No.	Qty.	English	French	German	Spanish	Remarks
1	6102873M93	1	Boom 4.5m	Flèche	Ausleger	Pluma	
2	#BOOM	1	Boom	Boom	Boom	Boom	Ref. 1
3	3501015M2	2	Bush, Lower Boom Mounting	Douille	Buechse	Anillo	
4	3500009M3	2	Bush, Boom/Dipper Mounting	Douille	Buechse	Anillo	
5	339608X1	1	Grease Nipple - M10 X 1 (Zinc)	Nipple De Graissage	Schmiernippel	Engrasador	
6	6102877M2	2	Pin Large	Axe	Bolzen	Pasador	
7	3501289M1	2	Bolt M10-110 Z5s	Boulon	Sechskantschraube	Tornillo	
8	1440329X1	2	Nut, Hex. - Nyloc, M10	Ecrou Blocage	Flachmutter M10	Tuerca De Retención	
9	3522697M2	1	Pin, 45mm X 200 - Boom Ram/Pivot Post	Axe	Bolzen	Pasador	
10	1442487X1	1	Bolt M10-130 Z5s	Boulon	Schraube	Tornillo	
11	1440329X1	1	Nut, Hex. - Nyloc, M10	Ecrou Blocage	Flachmutter M10	Tuerca De Retención	
12	339608X1	1	Grease Nipple - M10 X 1 (Zinc)	Nipple De Graissage	Schmiernippel	Engrasador	
13	3519378M1	2	Washer 2.00-2.75 Zn	Rondelle	Scheibe	Arandela	
14	3522698M2	1	Pin Boom Pivot	Axe	Bolzen	Pasador	
15	391129X1	2	Circlip - External - 50mm	Segment D'Arrêt	Sicherungsring	Anillo De Resorte	

C-72002-01.1-A



Item	Part No.	Qty.	English	French	German	Spanish	Remarks
1	6102875M93	1	Boom Assy 4.9m	Flèche	Ausleger	Pluma	
2	#BOOM	1	Boom	Boom	Boom	Boom	Ref. 1
3	3501015M2	2	Bush, Lower Boom Mounting	Douille	Buechse	Anillo	
4	3500009M3	2	Bush, Boom/Dipper Mounting	Douille	Buechse	Anillo	
5	339608X1	1	Grease Nipple - M10 X 1 (Zinc)	Nipple De Graissage	Schmiernippel	Engrasador	
6	6102877M2	2	Pin Large	Axe	Bolzen	Pasador	
7	3501289M1	2	Bolt M10-110 Z5s	Boulon	Sechskantschraube	Tornillo	
8	1440329X1	2	Nut, Hex. - Nyloc, M10	Ecrou Blocage	Flachmutter M10	Tuerca De Retención	
9	3522697M2	1	Pin, 45mm X 200 - Boom Ram/Pivot Post	Axe	Bolzen	Pasador	
10	1442487X1	1	Bolt M10-130 Z5s	Boulon	Schraube	Tornillo	
11	1440329X1	1	Nut, Hex. - Nyloc, M10	Ecrou Blocage	Flachmutter M10	Tuerca De Retención	
12	339608X1	1	Grease Nipple - M10 X 1 (Zinc)	Nipple De Graissage	Schmiernippel	Engrasador	
13	3519378M1	2	Washer 2.00-2.75 Zn	Rondelle	Scheibe	Arandela	
14	3522698M2	1	Pin Boom Pivot	Axe	Bolzen	Pasador	
15	391129X1	2	Circlip - External - 50mm	Segment D'Arrêt	Sicherungsring	Anillo De Resorte	



Not Illustrated

Non Illustrée

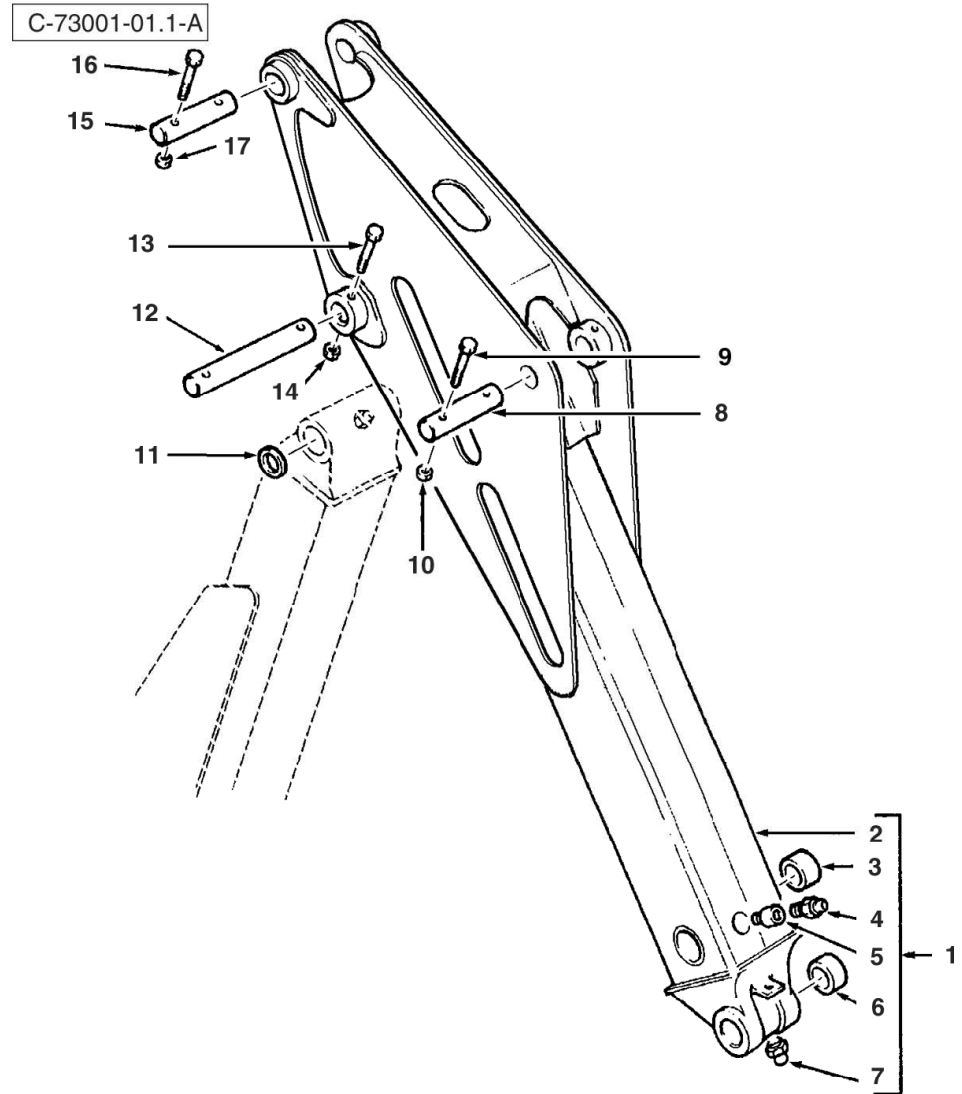
Nicht Abgebildet

Non Illustrato

No Ilustrado

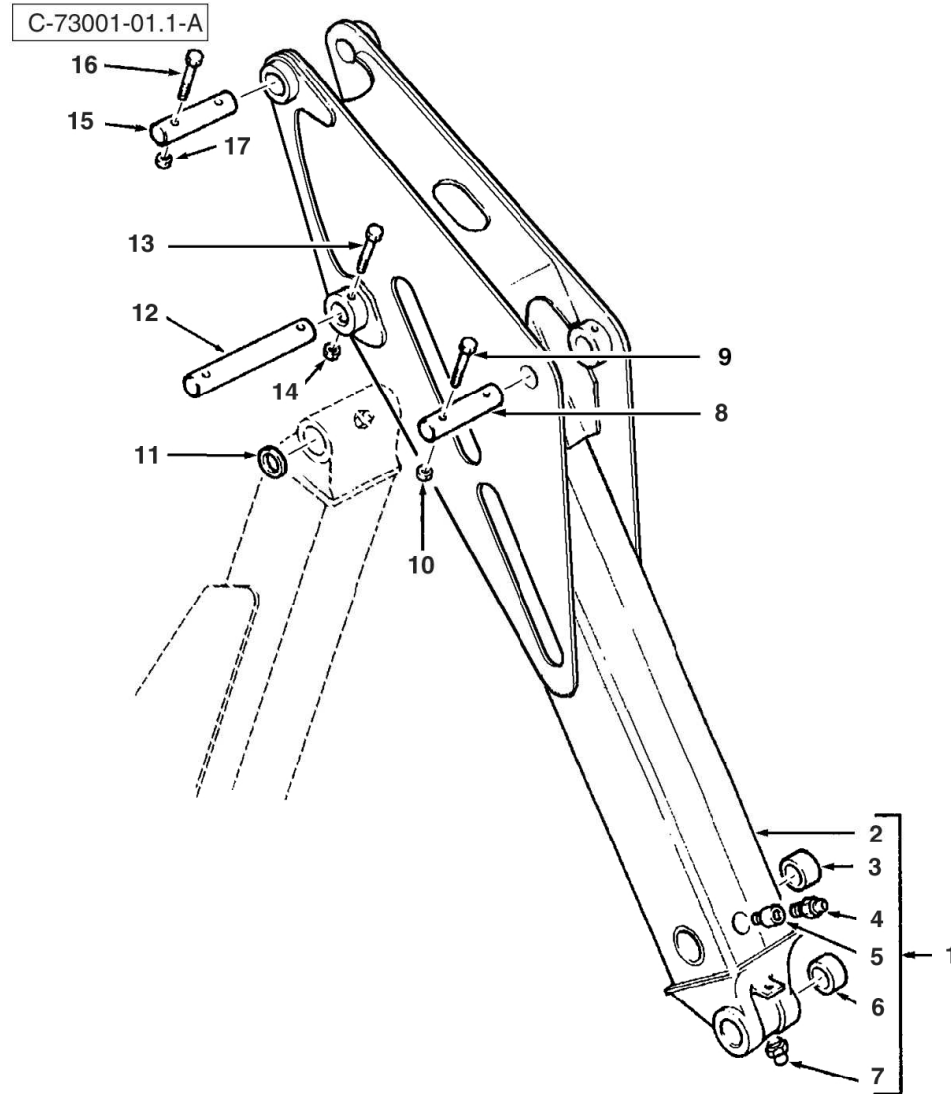
Item	Part No.	Qty.	English	French	German	Spanish	Remarks
-------------	-----------------	-------------	----------------	---------------	---------------	----------------	----------------





Item	Part No.	Qty.	English	French	German	Spanish	Remarks
1	6100677M93	1	Dipper - Standard Ferrec End	Bras De Pelle	Löffelstiel	Balancín, Conj.	
2	#DIPPER	1	Dipper	Dipper	Dipper	Dipper	Ref. 1
3	3500009M3	2	Bush, Boom/Dipper Mounting	Douille	Buechse	Anillo	
4	339608X1	1	Grease Nipple - M10 X 1 (Zinc)	Nipple De Graissage	Schmiernippel	Engrasador	
5	3504012M1	1	Adaptor - Grease Nipple	Adaptateur	Reduziernippel	Adaptador	
6	3500009M3	2	Bush, Boom/Dipper Mounting	Douille	Buechse	Anillo	
7	339608X1	1	Grease Nipple - M10 X 1 (Zinc)	Nipple De Graissage	Schmiernippel	Engrasador	
8	3522694M2	1	Pin Dippr Lift Ram Top	Axe	Bolzen	Pasador	
9	3501289M1	1	Bolt M10-110 Z5s	Boulon	Sechskantschraube	Tornillo	
10	1440329X1	1	Nut, Hex. - Nyloc, M10	Ecrou Blocage	Flachmutter M10	Tuerca De Retención	
11	3501027M1	2	Washer M44-65-5 R	Rondelle	Scheibe	Arandela	
12	3522693M2	1	Pin Dipper/Boom Pivot	Axe	Bolzen	Pasador	
13	3501289M1	2	Bolt M10-110 Z5s	Boulon	Sechskantschraube	Tornillo	
14	1440329X1	2	Nut, Hex. - Nyloc, M10	Ecrou Blocage	Flachmutter M10	Tuerca De Retención	
15	3522693M2	1	Pin Dipper/Boom Pivot	Axe	Bolzen	Pasador	
16	3501289M1	2	Bolt M10-110 Z5s	Boulon	Sechskantschraube	Tornillo	
17	1440329X1	2	Nut, Hex. - Nyloc, M10	Ecrou Blocage	Flachmutter M10	Tuerca De Retención	

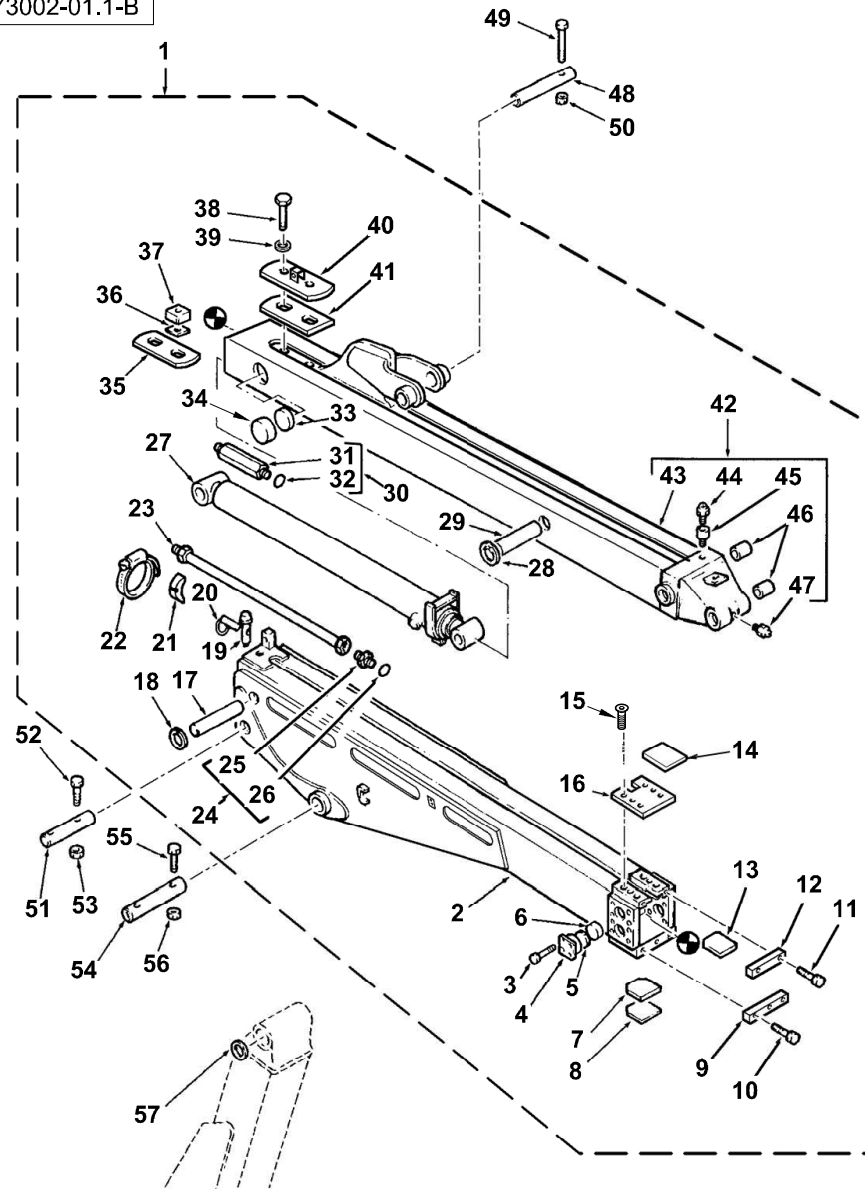




Item	Part No.	Qty.	English	French	German	Spanish	Remarks
1	6100677M93	1	Dipper - Standard Ferrec End	Bras De Pelle	Löffelstiel	Balancín, Conj.	
2	#DIPPER	1	Dipper	Dipper	Dipper	Dipper	Ref. 1
3	3500009M3	2	Bush, Boom/Dipper Mounting	Douille	Buechse	Anillo	
4	339608X1	1	Grease Nipple - M10 X 1 (Zinc)	Nipple De Graissage	Schmiernippel	Engrasador	
5	3504012M1	1	Adaptor - Grease Nipple	Adaptateur	Reduziernippel	Adaptador	
6	3500009M3	2	Bush, Boom/Dipper Mounting	Douille	Buechse	Anillo	
7	339608X1	1	Grease Nipple - M10 X 1 (Zinc)	Nipple De Graissage	Schmiernippel	Engrasador	
8	3522694M2	1	Pin Dippr Lift Ram Top	Axe	Bolzen	Pasador	
9	3501289M1	1	Bolt M10-110 Z5s	Boulon	Sechskantschraube	Tornillo	
10	1440329X1	1	Nut, Hex. - Nyloc, M10	Ecrou Blocage	Flachmutter M10	Tuerca De Retención	
11	3501027M1	2	Washer M44-65-5 R	Rondelle	Scheibe	Arandela	
12	3522693M2	1	Pin Dipper/Boom Pivot	Axe	Bolzen	Pasador	
13	3501289M1	2	Bolt M10-110 Z5s	Boulon	Sechskantschraube	Tornillo	
14	1440329X1	2	Nut, Hex. - Nyloc, M10	Ecrou Blocage	Flachmutter M10	Tuerca De Retención	
15	3522693M2	1	Pin Dipper/Boom Pivot	Axe	Bolzen	Pasador	
16	3501289M1	2	Bolt M10-110 Z5s	Boulon	Sechskantschraube	Tornillo	
17	1440329X1	2	Nut, Hex. - Nyloc, M10	Ecrou Blocage	Flachmutter M10	Tuerca De Retención	



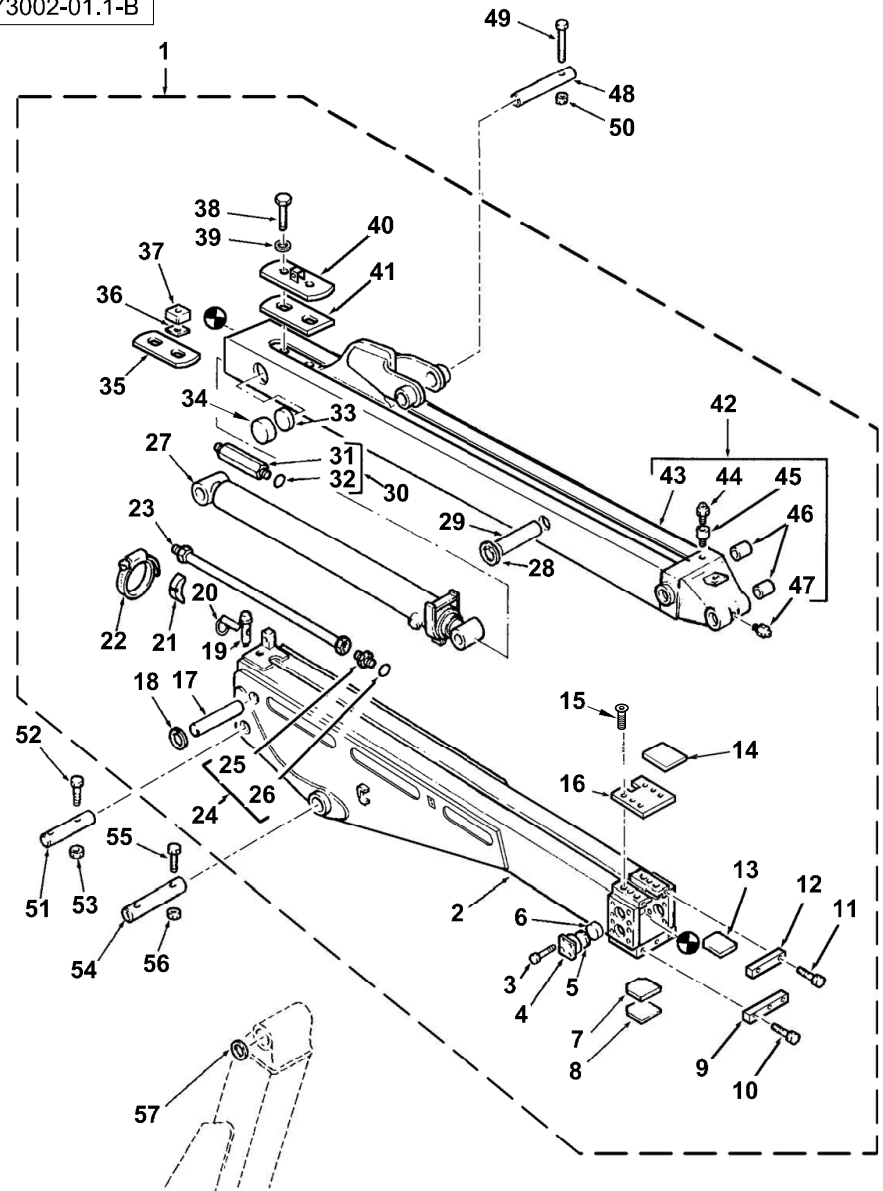
C-73002-01.1-B



Item	Part No.	Qty.	English	French	German	Spanish	Remarks
1	6109586M91	1	Extendable Dipper 4.75 (Fermec)	Ensemble De Balancier	Löffelarm Kpl.	Balancín, Conj.	
2	6100743M96	1	Housing W/A - Ext. Dipper	Carter	Gehäuse	Cárter, Conj.	
3	3009492X1	16	Bolt - Hex. M10 X 25	Boulon M10 X 25	Schraube M10 X 25	Tornillo	
4	6106121M1	4	Casting-Wear Pad Housing	Carter	Gehäuse	Cárter	
5	3502476M1	0	Shim W/Pad(As Req'd) Xd	Cale	Ausgleichsscheibe	Calce	
5	3510645M1	0	Shim As Required Xd	Cale	Ausgleichsscheibe	Calce	
6	3502475M2	4	Wear Pad - Extending Dipper	Patin D'Usure	Verschleißkissen	Patín De Desgaste	
7	3501658M2	1	Pad-Collar Wear	Patin D'Usure	Verschleißkissen	Patín De Desgaste	
8	3502939M1	0	Shim As Required X1	Cale	Ausgleichsscheibe	Calce	
8	3502938M1	0	Shim As Required X1	Cale	Ausgleichsscheibe	Calce	
8	3502940M1	0	Shim, 1mm - Extending Dipper	Cale	Ausgleichsscheibe	Calce	
8	3510862M1	0	Shim As Required Xd	Cale	Ausgleichsscheibe	Calce	
9	6106164M1	1	Plate, Lower Scraper - Ext. Dipper	Plaque	Platte	Placa	
10	6007797M1	3	Screw M12 X 30	Vis	Schraube	Tornillo	
11	6007797M1	2	Screw M12 X 30	Vis	Schraube	Tornillo	
12	6102971M1	1	Bar-Top Wear Pad Retainer	Dispositif De Retenue	Befestigungsteil	Fijacion	
13	3501658M2	1	Pad-Collar Wear	Patin D'Usure	Verschleißkissen	Patín De Desgaste	
14	6108692M1	4	Decal - Operators Instruction Book	Adhésif	Aufkleber	Adhesivo	
15	3009464X1	6	Screw : M12 X 35 - ISO 10.9 (Zinc)	Vis - M12 X 35	Schraube - M12 X 35	Tornillo	
16	6111887M1	1	Plate	Plaque	Platte	Placa	
17	3501624M1	1	Pin 31.7 X 195mm	Axe	Bolzen	Pasador	
18	355973X1	2	Ring Snap	Segment D'Arrêt	Sicherungsring	Anillo De Resorte	
19	6108900M1	1	Pin, Transport Lock - Extending Dipper	Goupille	Bolzen	Pasador	
20	810285M92	1	Linch Pin & Ring	Goupille D'Arrêt	Klappstecker	Pasador De Parada	
21	D142787	2	Saddle (See 142787d)	Selle	Sattel	Bloque De Caucho	
22	3517728M1	2	Clip Jubilee 80-100	Bride Pour Tutaux	Schlauchschelle	Clip	
23	6100599M91	1	Tube Assy	Ensemble Tube	Rohr Kpl	Conjunto De Tubería	
24	835013M91	1	Connector 7/8 Jic	Raccord	Schraubanschluss	Conexión, Conj.	
25	#UNION	1	Union	Union	Union	Union	Ref. 24
26	835024M1	1	Ring O - Boa	Joint Torique	O Ring	Junta De Tipo O	



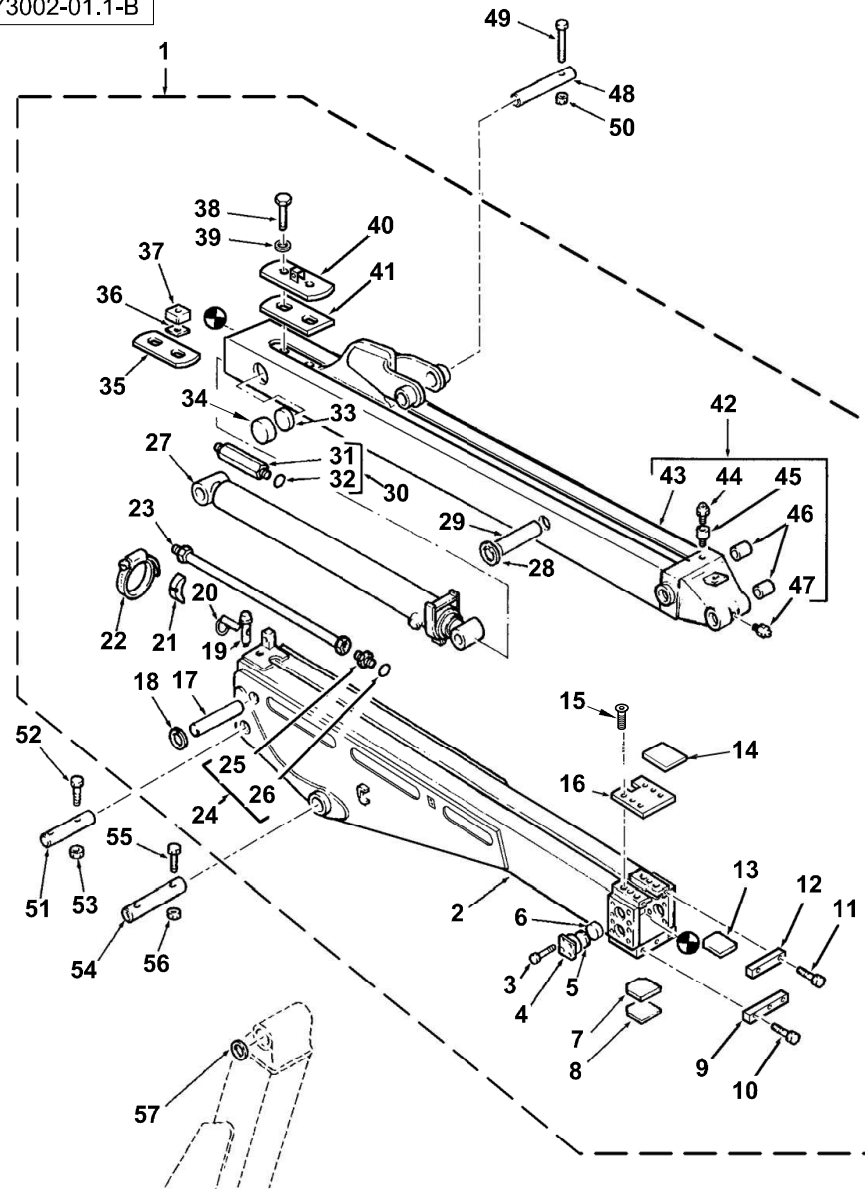
C-73002-01.1-B



Item	Part No.	Qty.	English	French	German	Spanish	Remarks
27	5000127M91	1	Cylinder Extendable Dipper	L´Hie Hydraulique	Zylinder Hydr.	Gato, Conj.	73002c02.1 1
28	355973X1	2	Ring Snap	Segment D´Arrêt	Sicherungsring	Anillo De Resorte	
29	3501625M1	1	Pin Cyl Rod End X1	Axe	Bolzen	Pasador	
30	6100603M91	1	Connector Long	Borne	Doppelnippel	Unión	
31	#UNION	1	Union	Union	Union	Union	Ref. 30
32	835024M1	1	Ring O - Boa	Joint Torique	O Ring	Junta De Tipo O	
33	3510644M1	0	Shim As Required X1	Cale	Ausgleichsscheibe	Calce	
33	3502477M1	0	Shim-W/Pad(As Reqd)Xd	Cale	Ausgleichsscheibe	Calce	
34	3502473M2	2	Wear Pad, Inner - Ext. Dipper	Patin D¿Usure	Verschleißkissen	Patín De Desgaste	Torque Figures
35	6102559M1	1	Wear Pad Lower	Patin D¿Usure	Verschleißkissen	Patín De Desgaste	
36	3502975M2	2	Shim 2.00mm X1	Cale	Ausgleichsscheibe	Calce	Bottom
36	3502976M2	2	Shim 3.00mm X1	Cale	Ausgleichsscheibe	Calce	
36	3501975M2	2	Shim 1.00mm Xd X1	Cale	Ausgleichsscheibe	Calce	Top
37	3501655M2	2	Pad Spacer Xd	Entretoise	Distanzstück	Traviesa	
38	3517491M1	2	Bolt M24-90 10.9	Goupille	Sechskantschraube	Tornillo	
39	896-11024	2	Washer-Harden-M24	Rondelle - M24	Scheibe - M24	Arandela	
40	6102519M91	1	Cover Plate Assy	Plaque	Platte	Placa	
41	6102518M1	1	Wear Pad Upper	Patin D¿Usure	Verschleißkissen	Patín De Desgaste	
42	3504158M98	1	Extension Assy-Fermecc	Ensemble De Rallonge	Verlängerung Kpl.	Extensión, Conj.	
43	#BODY	1	Body	Body	Body	Body	Ref. 42
44	339608X1	1	Grease Nipple - M10 X 1 (Zinc)	Nipple De Graissage	Schmiernippel	Engrasador	
45	3504012M1	1	Adaptor - Grease Nipple	Adaptateur	Reduziernippel	Adaptador	
46	3500009M3	4	Bush, Boom/Dipper Mounting	Douille	Buechse	Anillo	
47	339608X1	1	Grease Nipple - M10 X 1 (Zinc)	Nipple De Graissage	Schmiernippel	Engrasador	
48	3522720M2	1	Pin Dgr Bkt Ram Extbl	Goupille	Bolzen	Pasador	
49	3501289M1	1	Bolt M10-110 Z5s	Boulon	Sechskantschraube	Tornillo	
50	1440329X1	1	Nut, Hex. - Nyloc, M10	Ecrou Blocage	Flachmutter M10	Tuerca De Retención	
51	3522693M2	1	Pin Dipper/Boom Pivot	Axe	Bolzen	Pasador	
52	3501289M1	2	Bolt M10-110 Z5s	Boulon	Sechskantschraube	Tornillo	
53	1440329X1	2	Nut, Hex. - Nyloc, M10	Ecrou Blocage	Flachmutter M10	Tuerca De Retención	

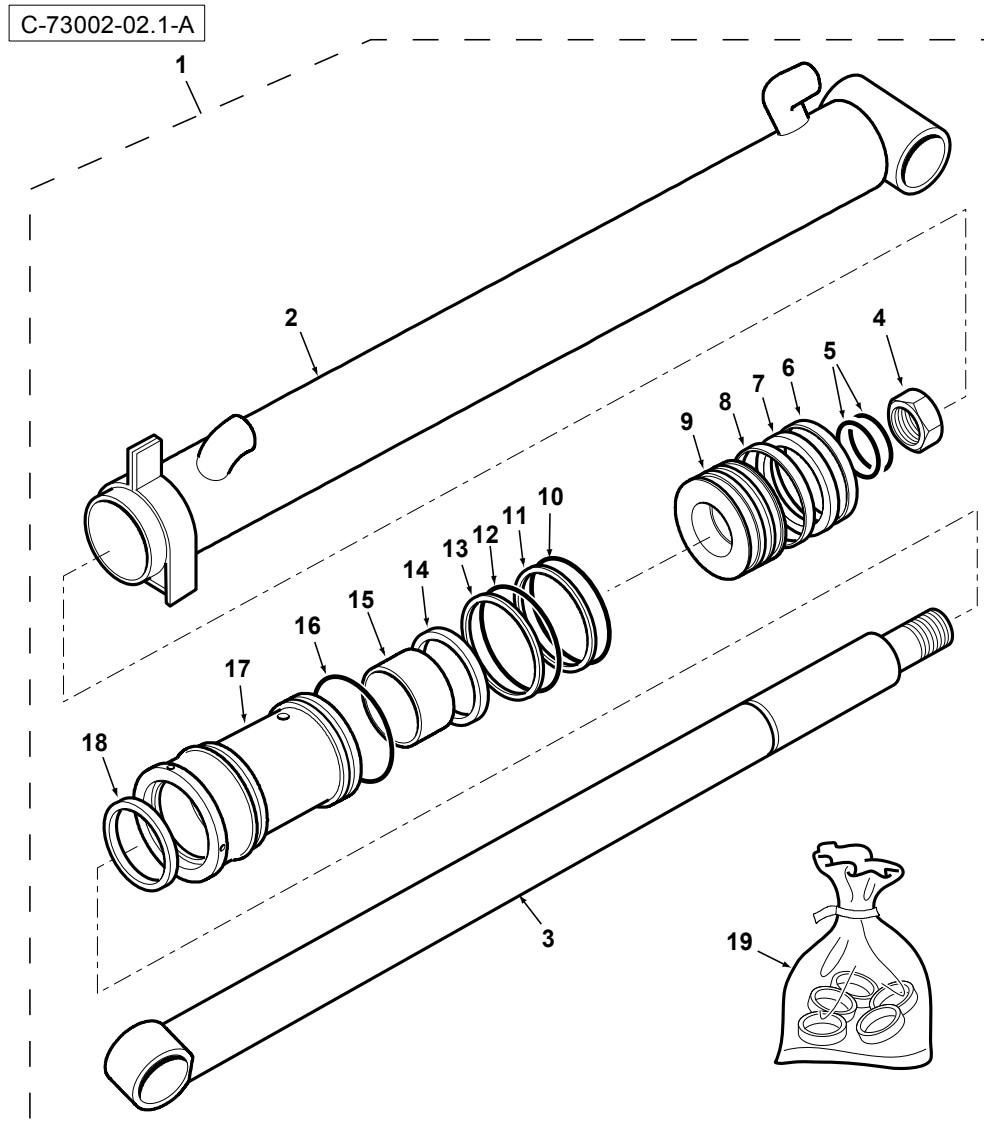


C-73002-01.1-B



Item	Part No.	Qty.	English	French	German	Spanish	Remarks
54	3522693M2	1	Pin Dipper/Boom Pivot	Axe	Bolzen	Pasador	
55	3501289M1	2	Bolt M10-110 Z5s	Boulon	Sechskantschraube	Tornillo	
56	1440329X1	2	Nut, Hex. - Nyloc, M10	Ecrou Blocage	Flachmutter M10	Tuerca De Retención	
57	3501027M1	2	Washer M44-65-5 R	Rondelle	Scheibe	Arandela	

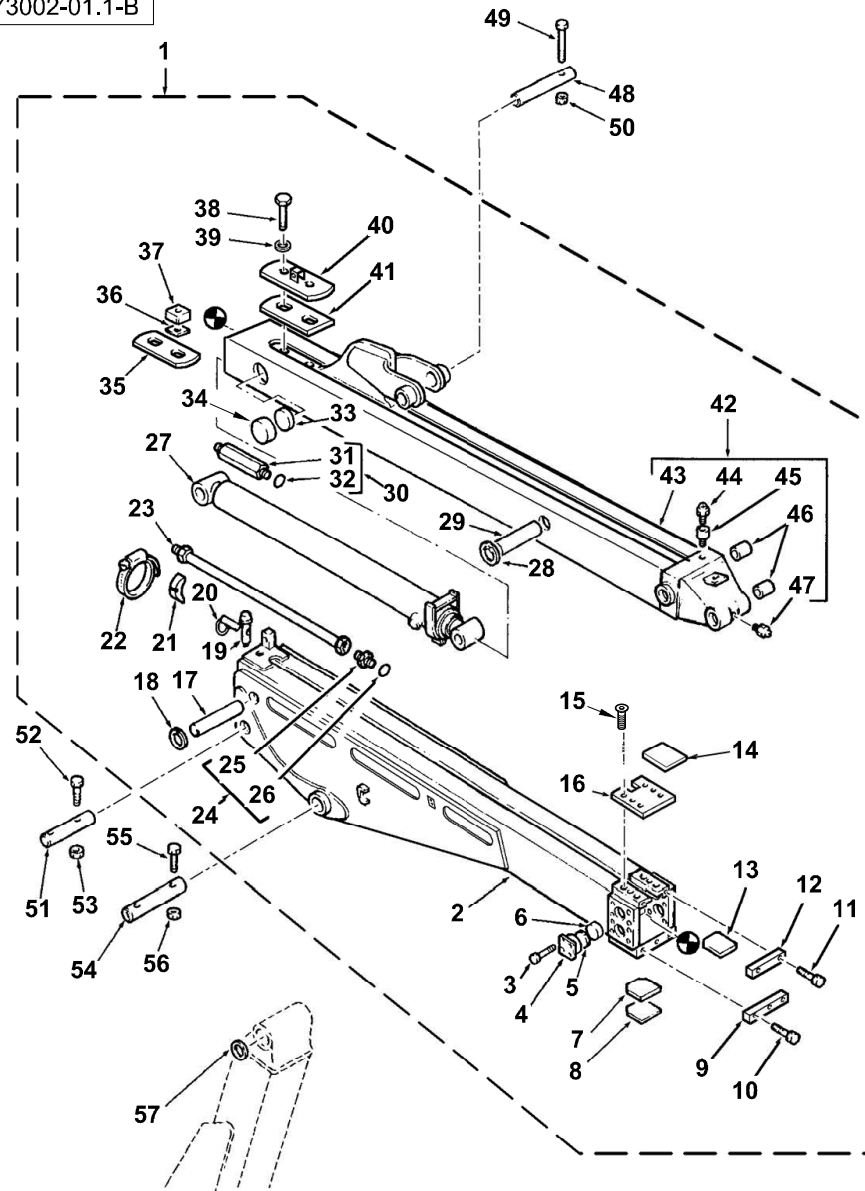




Item	Part No.	Qty.	English	French	German	Spanish	Remarks
1	5000127M91	1	Cylinder Extendable Dipper	L´Hie Hydraulique	Zylinder Hydr.	Gato, Conj.	73002c01.1 28
2	5003920M91	1	Barrel Assy	Barrel Assy	Barrel Assy	Barrel Assy	
3	5005266M91	1	Piston Rod Assy	Tige De Vérin	Kolbenstange	Pistón De Gato	
4	1607689M1	1	Lock Nut	Ecrou	Kontermutter	Tuerca De Retención	
5	1748324M1	2	O Ring	Joint Torique	O Ring	Junta De Tipo O	
6	3487078M1	1	Ring - Piston Guide	Anneau	Ring	Aro	
7	3443573M2	1	Seal Piston	Joint	Dichtung	Junta	
8	3487078M1	1	Ring - Piston Guide	Anneau	Ring	Aro	
9	5003929M1	1	Piston	Piston	Kolben	Pistón	
10	1442891X1	1	O-Ring	Joint Torique	O-Ring	Junta De Tipo O	
11	5001306M1	1	Ring, Back-Up	Contre Bague	Stützring	ContraJunta	
12	1441120X1	1	O-Ring	Joint Torique	O-Ring	Junta De Tipo O	
13	1881527M1	1	Ring Backup	Anneau	Ring	Aro	
14	3485976M1	1	Seal-40*55*10	Joint D´Arbre	Wellendichtring	Junta	
15	5001605M1	1	Bearing	Roulement	Lager	Cojinete	
16	3487585M1	1	O Ring	Joint Torique	O Ring	Junta De Tipo O	
17	5004084M91	1	Bearing Assy	Roulement	Radiallager	Cojinete	
18	1605446M1	1	Wiper Ring-40*50*7*10	Racleur	Wischer	Raspador, Escobilla	
19	5005362M91	0	Kit, Seal - Ext. Dipper Cylinder	Jeu Étanchéité	Dichtringsatz	Juego De Juntas	

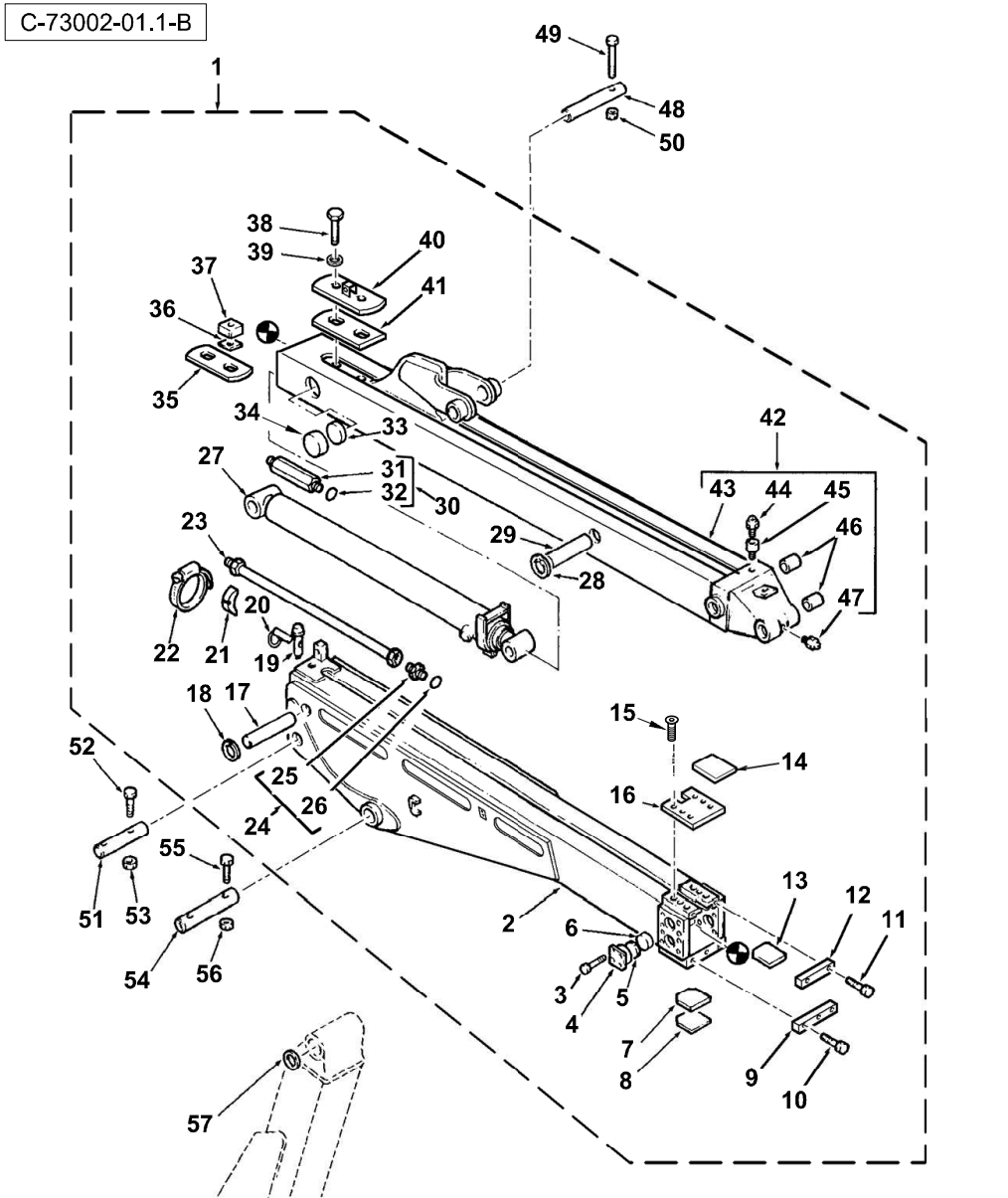


C-73002-01.1-B



Item	Part No.	Qty.	English	French	German	Spanish	Remarks
1	6109586M91	1	Extendable Dipper 4.75 (Fermec)	Ensemble De Balancier	Löffelarm Kpl.	Balancín, Conj.	
2	6100743M96	1	Housing W/A - Ext. Dipper	Carter	Gehäuse	Cárter, Conj.	
3	3009492X1	16	Bolt - Hex. M10 X 25	Boulon M10 X 25	Schraube M10 X 25	Tornillo	
4	6106121M1	4	Casting-Wear Pad Housing	Carter	Gehäuse	Cárter	
5	3502476M1	0	Shim W/Pad(As Req'd) Xd	Cale	Ausgleichsscheibe	Calce	
5	3510645M1	0	Shim As Required Xd	Cale	Ausgleichsscheibe	Calce	
6	3502475M2	4	Wear Pad - Extending Dipper	Patin D'Usure	Verschleißkissen	Patín De Desgaste	
7	3501658M2	1	Pad-Collar Wear	Patin D'Usure	Verschleißkissen	Patín De Desgaste	
8	3502939M1	0	Shim As Required X1	Cale	Ausgleichsscheibe	Calce	
8	3502938M1	0	Shim As Required X1	Cale	Ausgleichsscheibe	Calce	
8	3502940M1	0	Shim, 1mm - Extending Dipper	Cale	Ausgleichsscheibe	Calce	
8	3510862M1	0	Shim As Required Xd	Cale	Ausgleichsscheibe	Calce	
9	6106164M1	1	Plate, Lower Scraper - Ext. Dipper	Plaque	Platte	Placa	
10	6007797M1	3	Screw M12 X 30	Vis	Schraube	Tornillo	
11	6007797M1	2	Screw M12 X 30	Vis	Schraube	Tornillo	
12	6102971M1	1	Bar-Top Wear Pad Retainer	Dispositif De Retenue	Befestigungsteil	Fijacion	
13	3501658M2	1	Pad-Collar Wear	Patin D'Usure	Verschleißkissen	Patín De Desgaste	
14	6108692M1	4	Decal - Operators Instruction Book	Adhésif	Aufkleber	Adhesivo	
15	3009464X1	6	Screw : M12 X 35 - ISO 10.9 (Zinc)	Vis - M12 X 35	Schraube - M12 X 35	Tornillo	
16	6111887M1	1	Plate	Plaque	Platte	Placa	
17	3501624M1	1	Pin 31.7 X 195mm	Axe	Bolzen	Pasador	
18	355973X1	2	Ring Snap	Segment D'Arrêt	Sicherungsring	Anillo De Resorte	
19	6108900M1	1	Pin, Transport Lock - Extending Dipper	Goupille	Bolzen	Pasador	
20	810285M92	1	Linch Pin & Ring	Goupille D'Arrêt	Klappstecker	Pasador De Parada	
21	D142787	2	Saddle (See 142787d)	Selle	Sattel	Bloque De Caucho	
22	3517728M1	2	Clip Jubilee 80-100	Bride Pour Tutaux	Schlauchschelle	Clip	
23	6100599M91	1	Tube Assy	Ensemble Tube	Rohr Kpl	Conjunto De Tubería	
24	835013M91	1	Connector 7/8 Jic	Raccord	Schraubanschluss	Conexión, Conj.	
25	#UNION	1	Union	Union	Union	Union	Ref. 24
26	835024M1	1	Ring O - Boa	Joint Torique	O Ring	Junta De Tipo O	

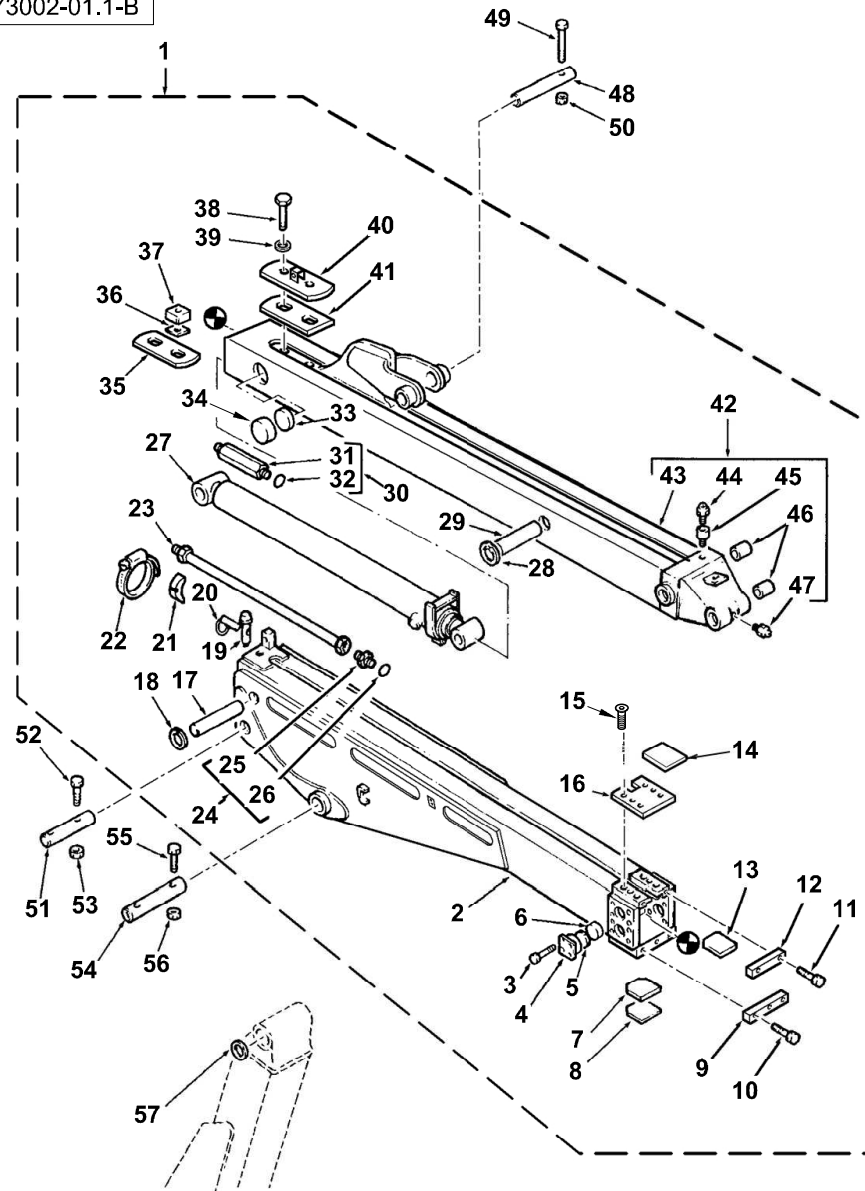




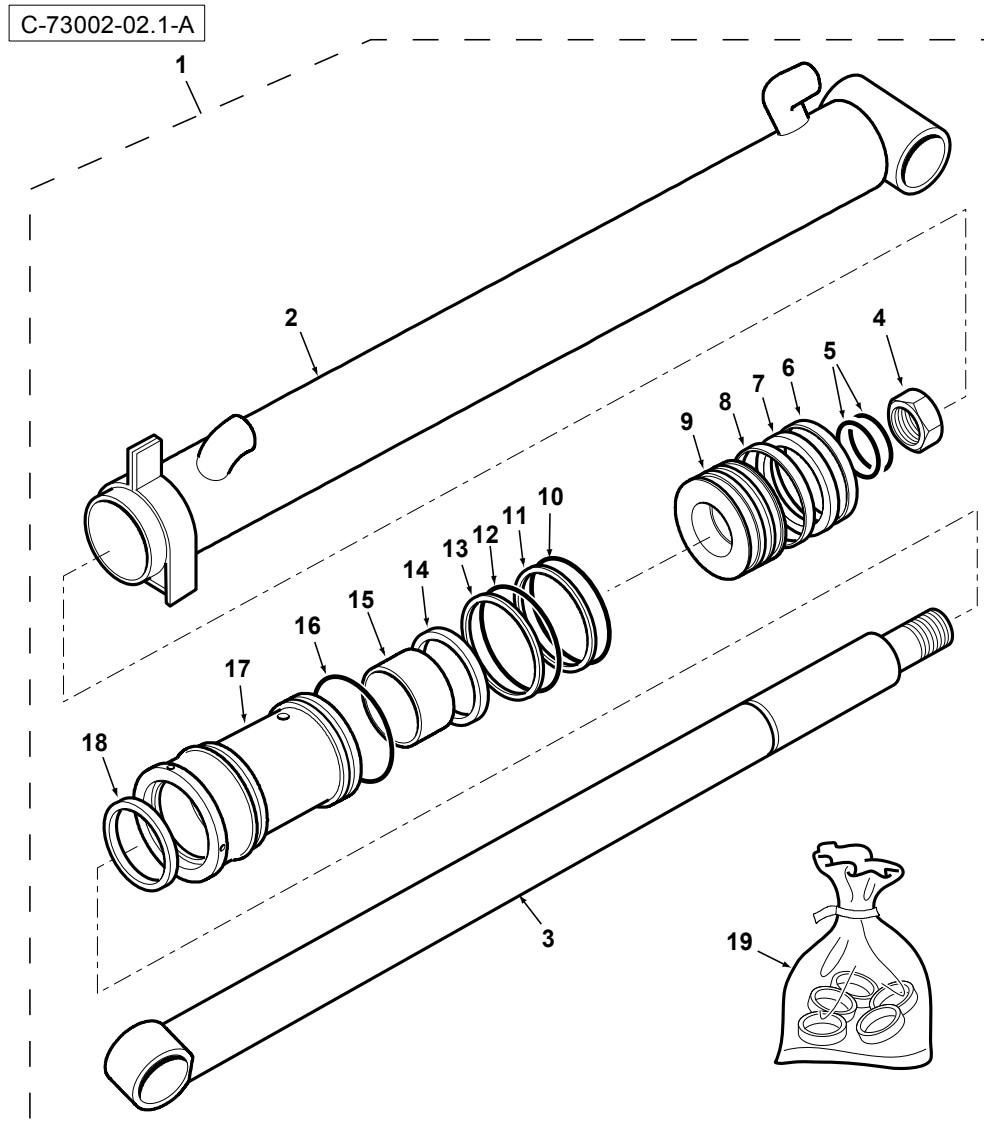
Item	Part No.	Qty.	English	French	German	Spanish	Remarks
27	5000127M91	1	Cylinder Extendable Dipper	L´Hie Hydraulique	Zylinder Hydr.	Gato, Conj.	73002c02.1 1
28	355973X1	2	Ring Snap	Segment D´Arrêt	Sicherungsring	Anillo De Resorte	
29	3501625M1	1	Pin Cyl Rod End X1	Axe	Bolzen	Pasador	
30	6100603M91	1	Connector Long	Borne	Doppelnippel	Unión	
31	#UNION	1	Union	Union	Union	Union	Ref. 30
32	835024M1	1	Ring O - Boa	Joint Torique	O Ring	Junta De Tipo O	
33	3510644M1	0	Shim As Required X1	Cale	Ausgleichsscheibe	Calce	
33	3502477M1	0	Shim-W/Pad(As Reqd)Xd	Cale	Ausgleichsscheibe	Calce	
34	3502473M2	2	Wear Pad, Inner - Ext. Dipper	Patin D¿Usure	Verschleißkissen	Patín De Desgaste	Torque Figures
35	6102559M1	1	Wear Pad Lower	Patin D¿Usure	Verschleißkissen	Patín De Desgaste	
36	3502975M2	2	Shim 2.00mm X1	Cale	Ausgleichsscheibe	Calce	Bottom
36	3502976M2	2	Shim 3.00mm X1	Cale	Ausgleichsscheibe	Calce	
36	3501975M2	2	Shim 1.00mm Xd X1	Cale	Ausgleichsscheibe	Calce	Top
37	3501655M2	2	Pad Spacer Xd	Entretoise	Distanzstück	Traviesa	
38	3517491M1	2	Bolt M24-90 10.9	Goupille	Sechskantschraube	Tornillo	
39	896-11024	2	Washer-Harden-M24	Rondelle - M24	Scheibe - M24	Arandela	
40	6102519M91	1	Cover Plate Assy	Plaque	Platte	Placa	
41	6102518M1	1	Wear Pad Upper	Patin D¿Usure	Verschleißkissen	Patín De Desgaste	
42	3504158M98	1	Extension Assy-Fermecc	Ensemble De Rallonge	Verlängerung Kpl.	Extensión, Conj.	
43	#BODY	1	Body	Body	Body	Body	Ref. 42
44	339608X1	1	Grease Nipple - M10 X 1 (Zinc)	Nipple De Graissage	Schmiernippel	Engrasador	
45	3504012M1	1	Adaptor - Grease Nipple	Adaptateur	Reduziernippel	Adaptador	
46	3500009M3	4	Bush, Boom/Dipper Mounting	Douille	Buechse	Anillo	
47	339608X1	1	Grease Nipple - M10 X 1 (Zinc)	Nipple De Graissage	Schmiernippel	Engrasador	
48	3522720M2	1	Pin Dgr Bkt Ram Extbl	Goupille	Bolzen	Pasador	
49	3501289M1	1	Bolt M10-110 Z5s	Boulon	Sechskantschraube	Tornillo	
50	1440329X1	1	Nut, Hex. - Nyloc, M10	Ecrou Blocage	Flachmutter M10	Tuerca De Retención	
51	3522693M2	1	Pin Dipper/Boom Pivot	Axe	Bolzen	Pasador	
52	3501289M1	2	Bolt M10-110 Z5s	Boulon	Sechskantschraube	Tornillo	
53	1440329X1	2	Nut, Hex. - Nyloc, M10	Ecrou Blocage	Flachmutter M10	Tuerca De Retención	



C-73002-01.1-B



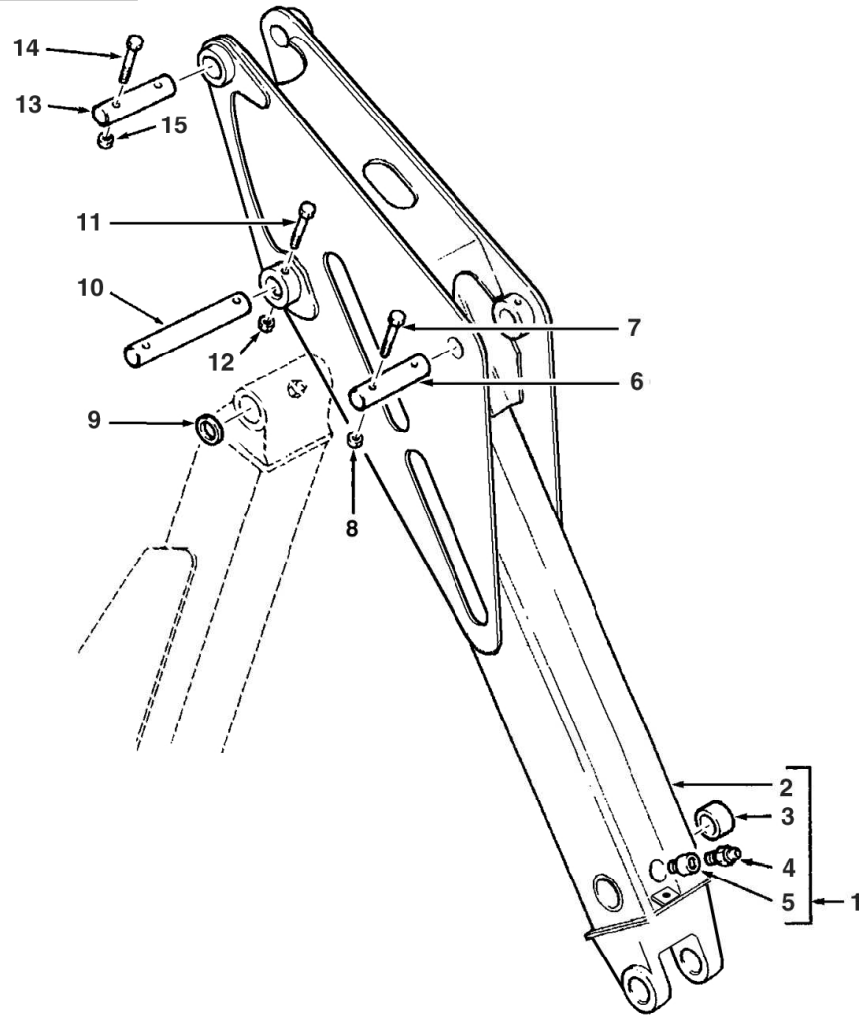
Item	Part No.	Qty.	English	French	German	Spanish	Remarks
54	3522693M2	1	Pin Dipper/Boom Pivot	Axe	Bolzen	Pasador	
55	3501289M1	2	Bolt M10-110 Z5s	Boulon	Sechskantschraube	Tornillo	
56	1440329X1	2	Nut, Hex. - Nyloc, M10	Ecrou Blocage	Flachmutter M10	Tuerca De Retención	
57	3501027M1	2	Washer M44-65-5 R	Rondelle	Scheibe	Arandela	



Item	Part No.	Qty.	English	French	German	Spanish	Remarks
1	5000127M91	1	Cylinder Extendable Dipper	L´Hie Hydraulique	Zylinder Hydr.	Gato, Conj.	73002c01.1 28
2	5003920M91	1	Barrel Assy	Barrel Assy	Barrel Assy	Barrel Assy	
3	5005266M91	1	Piston Rod Assy	Tige De Vérin	Kolbenstange	Pistón De Gato	
4	1607689M1	1	Lock Nut	Ecrou	Kontermutter	Tuerca De Retención	
5	1748324M1	2	O Ring	Joint Torique	O Ring	Junta De Tipo O	
6	3487078M1	1	Ring - Piston Guide	Anneau	Ring	Aro	
7	3443573M2	1	Seal Piston	Joint	Dichtung	Junta	
8	3487078M1	1	Ring - Piston Guide	Anneau	Ring	Aro	
9	5003929M1	1	Piston	Piston	Kolben	Pistón	
10	1442891X1	1	O-Ring	Joint Torique	O-Ring	Junta De Tipo O	
11	5001306M1	1	Ring, Back-Up	Contre Bague	Stützring	ContraJunta	
12	1441120X1	1	O-Ring	Joint Torique	O-Ring	Junta De Tipo O	
13	1881527M1	1	Ring Backup	Anneau	Ring	Aro	
14	3485976M1	1	Seal-40*55*10	Joint D´Arbre	Wellendichtring	Junta	
15	5001605M1	1	Bearing	Roulement	Lager	Cojinete	
16	3487585M1	1	O Ring	Joint Torique	O Ring	Junta De Tipo O	
17	5004084M91	1	Bearing Assy	Roulement	Radiallager	Cojinete	
18	1605446M1	1	Wiper Ring-40*50*7*10	Racleur	Wischer	Raspador, Escobilla	
19	5005362M91	0	Kit, Seal - Ext. Dipper Cylinder	Jeu Étanchéité	Dichtringsatz	Juego De Juntas	

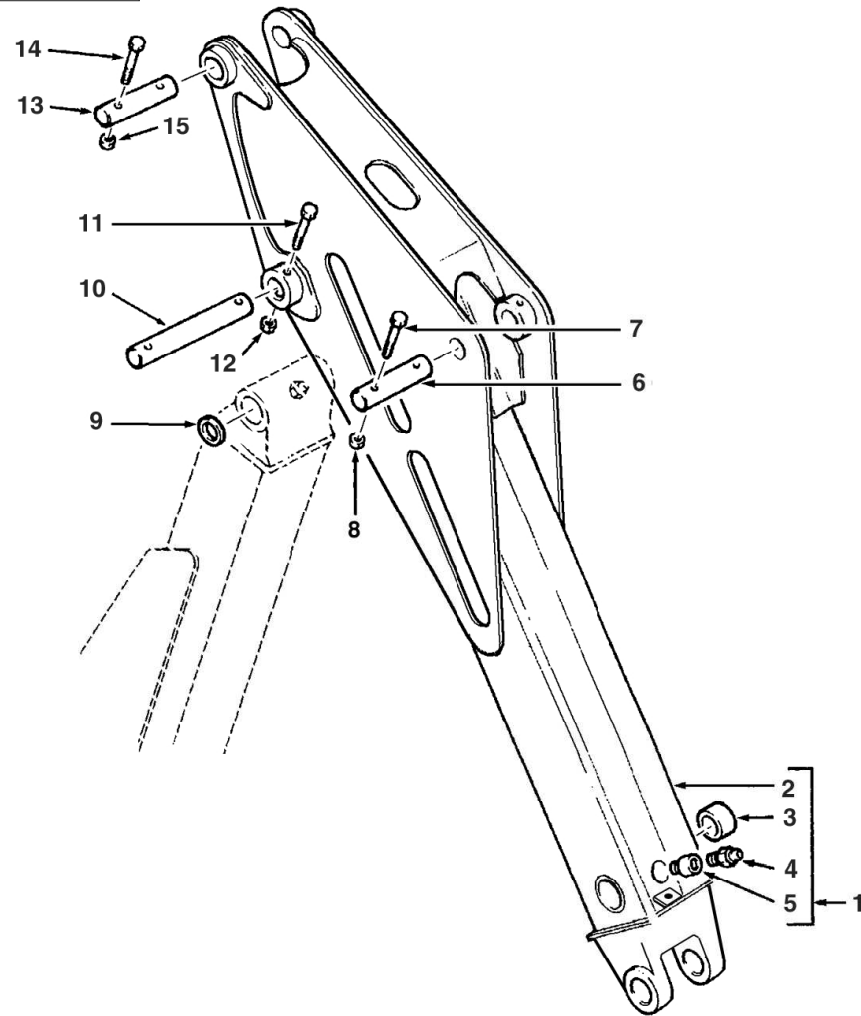


C-73003-01.1-A



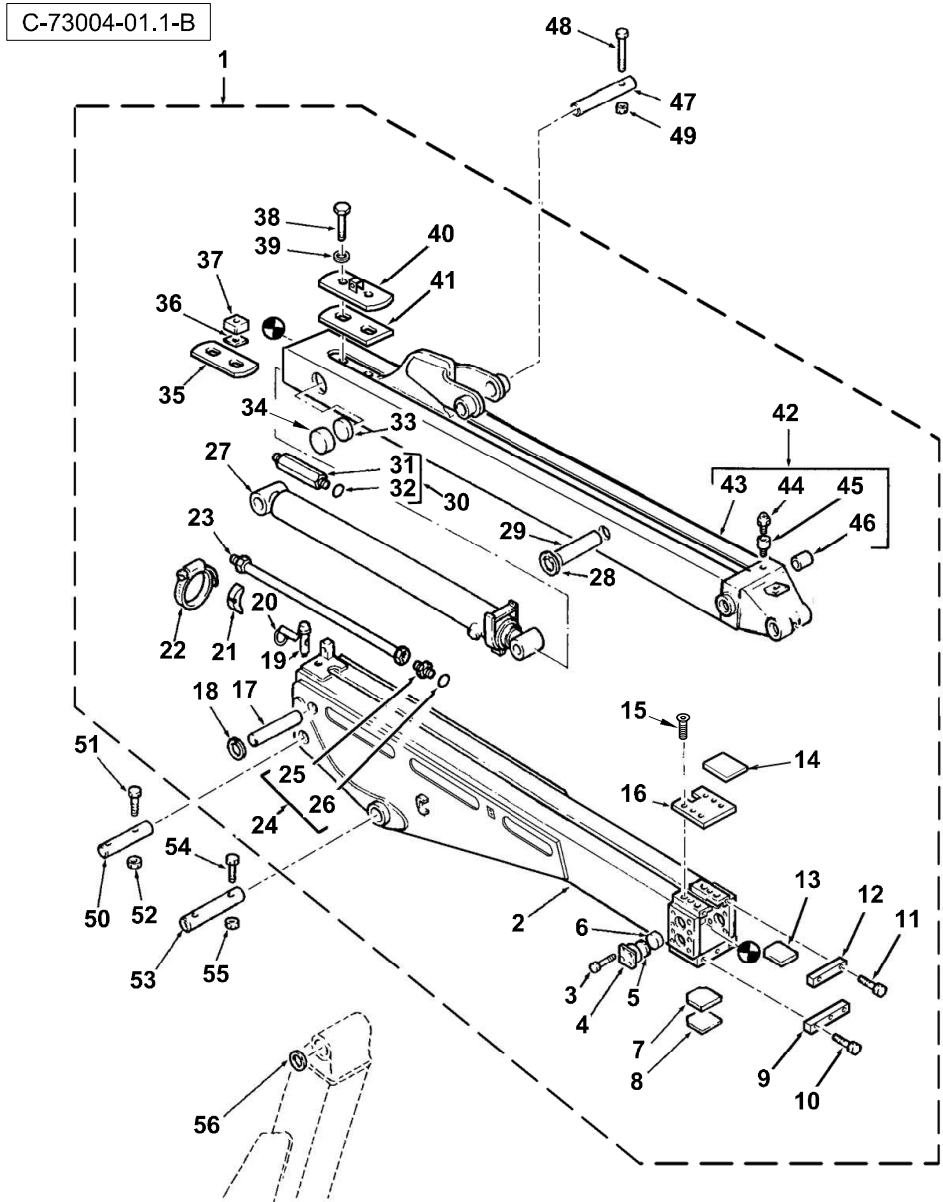
Item	Part No.	Qty.	English	French	German	Spanish	Remarks
1	6100818M93	1	Standard Dipper W/A - Case	Ensemble De Balancier	Löffelarm Kpl.	Balancín, Conj.	
2	#DIPPER	1	Dipper	Dipper	Dipper	Dipper	Ref. 1
3	3500009M3	2	Bush, Boom/Dipper Mounting	Douille	Buechse	Anillo	
4	339608X1	1	Grease Nipple - M10 X 1 (Zinc)	Nipple De Graissage	Schmiernippel	Engrasador	
5	3504012M1	1	Adaptor - Grease Nipple	Adaptateur	Reduziernippel	Adaptador	
6	3522694M2	1	Pin Dippr Lift Ram Top	Axe	Bolzen	Pasador	
7	3501289M1	1	Bolt M10-110 Z5s	Boulon	Sechskantschraube	Tornillo	
8	1440329X1	1	Nut, Hex. - Nyloc, M10	Ecrou Blocage	Flachmutter M10	Tuerca De Retención	
9	3501027M1	2	Washer M44-65-5 R	Rondelle	Scheibe	Arandela	
10	3522693M2	1	Pin Dipper/Boom Pivot	Axe	Bolzen	Pasador	
11	3501289M1	2	Bolt M10-110 Z5s	Boulon	Sechskantschraube	Tornillo	
12	1440329X1	2	Nut, Hex. - Nyloc, M10	Ecrou Blocage	Flachmutter M10	Tuerca De Retención	
13	3522693M2	1	Pin Dipper/Boom Pivot	Axe	Bolzen	Pasador	
14	3501289M1	2	Bolt M10-110 Z5s	Boulon	Sechskantschraube	Tornillo	
15	1440329X1	2	Nut, Hex. - Nyloc, M10	Ecrou Blocage	Flachmutter M10	Tuerca De Retención	

C-73003-01.1-A



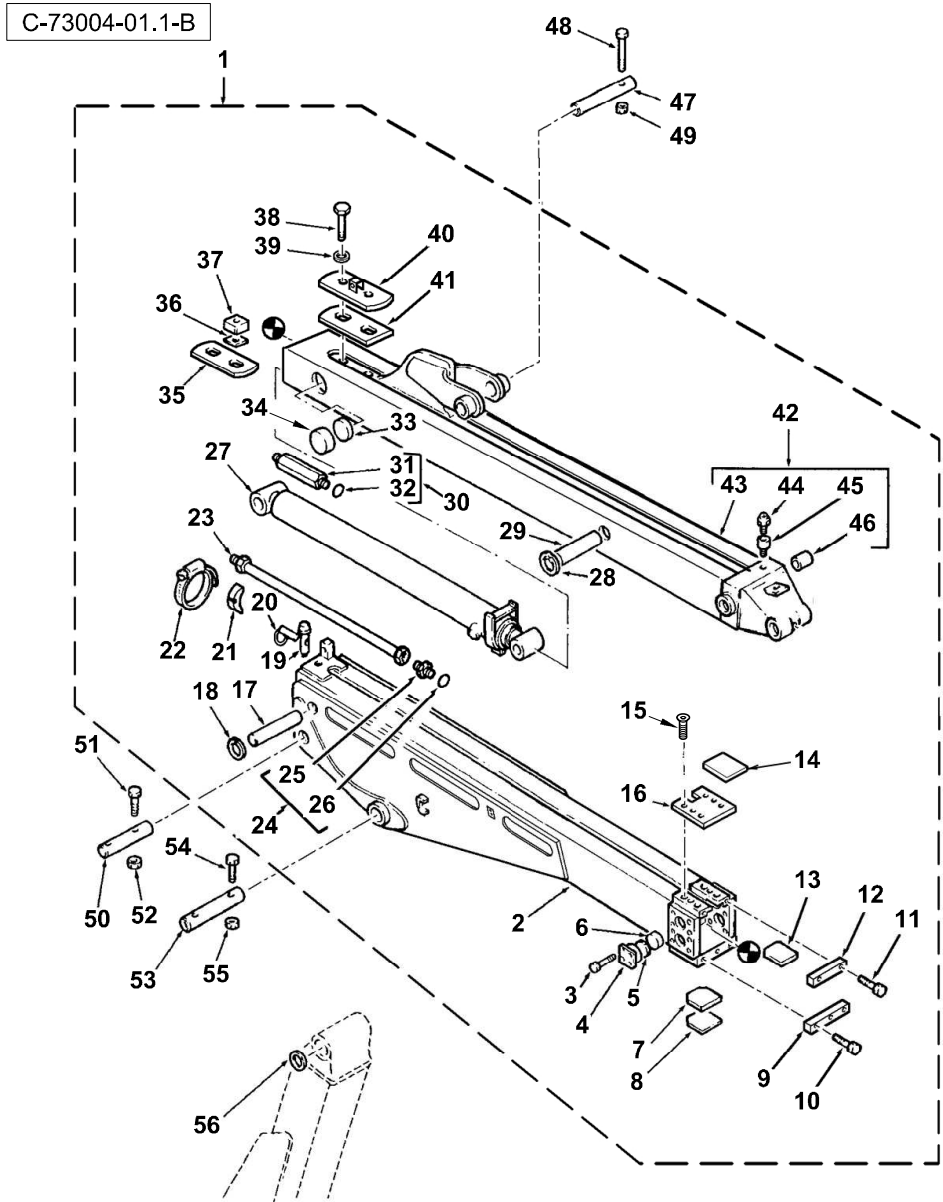
Item	Part No.	Qty.	English	French	German	Spanish	Remarks
1	6100818M93	1	Standard Dipper W/A - Case	Ensemble De Balancier	Löffelarm Kpl.	Balancín, Conj.	
2	#DIPPER	1	Dipper	Dipper	Dipper	Dipper	Ref. 1
3	3500009M3	2	Bush, Boom/Dipper Mounting	Douille	Buechse	Anillo	
4	339608X1	1	Grease Nipple - M10 X 1 (Zinc)	Nipple De Graissage	Schmiernippel	Engrasador	
5	3504012M1	1	Adaptor - Grease Nipple	Adaptateur	Reduziernippel	Adaptador	
6	3522694M2	1	Pin Dippr Lift Ram Top	Axe	Bolzen	Pasador	
7	3501289M1	1	Bolt M10-110 Z5s	Boulon	Sechskantschraube	Tornillo	
8	1440329X1	1	Nut, Hex. - Nyloc, M10	Ecrou Blocage	Flachmutter M10	Tuerca De Retención	
9	3501027M1	2	Washer M44-65-5 R	Rondelle	Scheibe	Arandela	
10	3522693M2	1	Pin Dipper/Boom Pivot	Axe	Bolzen	Pasador	
11	3501289M1	2	Bolt M10-110 Z5s	Boulon	Sechskantschraube	Tornillo	
12	1440329X1	2	Nut, Hex. - Nyloc, M10	Ecrou Blocage	Flachmutter M10	Tuerca De Retención	
13	3522693M2	1	Pin Dipper/Boom Pivot	Axe	Bolzen	Pasador	
14	3501289M1	2	Bolt M10-110 Z5s	Boulon	Sechskantschraube	Tornillo	
15	1440329X1	2	Nut, Hex. - Nyloc, M10	Ecrou Blocage	Flachmutter M10	Tuerca De Retención	





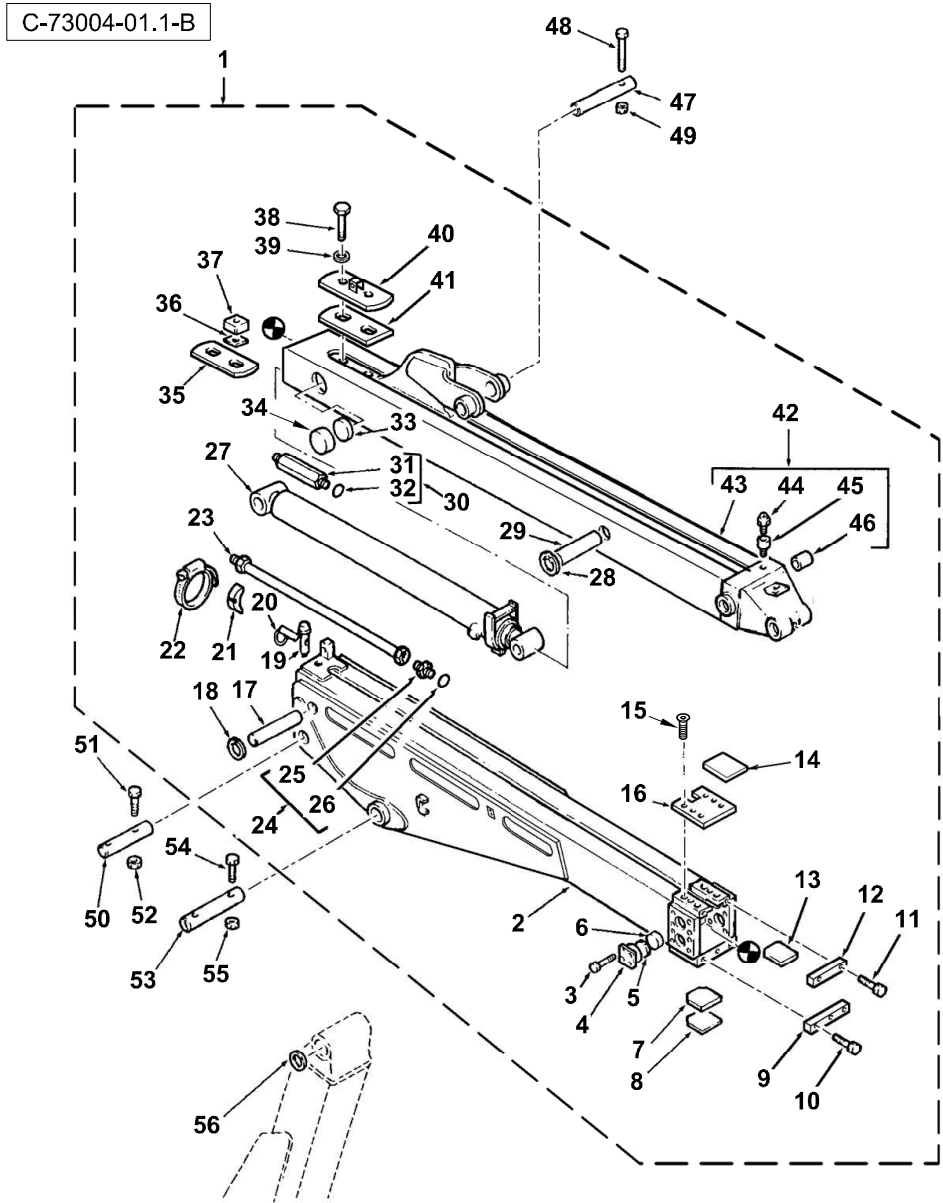
Item	Part No.	Qty.	English	French	German	Spanish	Remarks
1	6109587M91	1	Ext Dipper 4.75 (Case End)	Ensemble De Balancier	Löffelarm Kpl.	Balancín, Conj.	
2	6100743M96	1	Housing W/A - Ext. Dipper	Carter	Gehäuse	Cárter, Conj.	
3	3009492X1	16	Bolt - Hex. M10 X 25	Boulon M10 X 25	Schraube M10 X 25	Tornillo	
4	6106121M1	4	Casting-Wear Pad Housing	Carter	Gehäuse	Cárter	
5	3502476M1	0	Shim W/Pad(As Req'd) Xd	Cale	Ausgleichsscheibe	Calce	
5	3510645M1	0	Shim As Required Xd	Cale	Ausgleichsscheibe	Calce	
6	3502475M2	4	Wear Pad - Extending Dipper	Patin D'Usure	Verschleißkissen	Patín De Desgaste	
7	3501658M2	1	Pad-Collar Wear	Patin D'Usure	Verschleißkissen	Patín De Desgaste	
8	3510862M1	0	Shim As Required Xd	Cale	Ausgleichsscheibe	Calce	
8	3502940M1	0	Shim, 1mm - Extending Dipper	Cale	Ausgleichsscheibe	Calce	
8	3502938M1	0	Shim As Required X1	Cale	Ausgleichsscheibe	Calce	
8	3502939M1	0	Shim As Required X1	Cale	Ausgleichsscheibe	Calce	
9	6106164M1	1	Plate, Lower Scraper - Ext. Dipper	Plaque	Platte	Placa	
10	6007797M1	5	Screw M12 X 30	Vis	Schraube	Tornillo	
12	6102971M1	1	Bar-Top Wear Pad Retainer	Dispositif De Retenue	Befestigungsteil	Fijacion	
13	3501658M2	1	Pad-Collar Wear	Patin D'Usure	Verschleißkissen	Patín De Desgaste	
14	6108692M1	4	Decal - Operators Instruction Book	Adhésif	Aufkleber	Adhesivo	
15	3009464X1	6	Screw : M12 X 35 - ISO 10.9 (Zinc)	Vis - M12 X 35	Schraube - M12 X 35	Tornillo	
16	6111887M1	1	Plate	Plaque	Platte	Placa	
17	3501624M1	1	Pin 31.7 X 195mm	Axe	Bolzen	Pasador	
18	355973X1	2	Ring Snap	Segment D'Arrêt	Sicherungsring	Anillo De Resorte	
19	6108900M1	1	Pin, Transport Lock - Extending Dipper	Goupille	Bolzen	Pasador	
20	810285M92	1	Linch Pin & Ring	Goupille D'Arrêt	Klappstecker	Pasador De Parada	
21	D142787	2	Saddle (See 142787d)	Selle	Sattel	Bloque De Caucho	
22	3517728M1	2	Clip Jubilee 80-100	Bride Pour Tutaux	Schlauchschelle	Clip	
23	6100599M91	1	Tube Assy	Ensemble Tube	Rohr Kpl	Conjunto De Tubería	
24	835013M91	1	Connector 7/8 Jic	Raccord	Schraubanschluss	Conexión, Conj.	
25	#UNION	1	Union	Union	Union	Union	Ref. 24
26	835024M1	1	Ring O - Boa	Joint Torique	O Ring	Junta De Tipo O	
27	5000127M91	1	Cylinder Extendable Dipper	L' Hie Hydraulique	Zylinder Hydr.	Gato, Conj.	73004c02.1 1





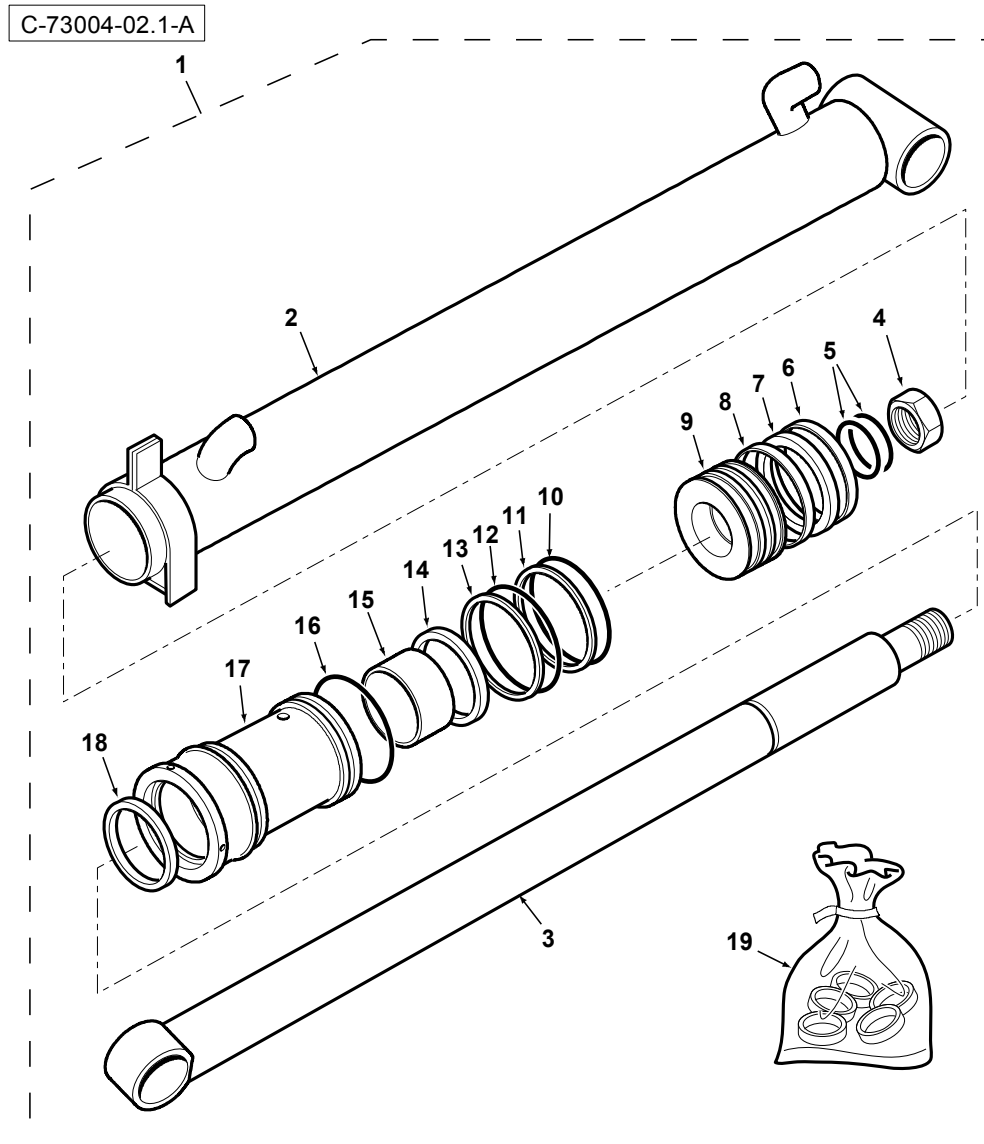
Item	Part No.	Qty.	English	French	German	Spanish	Remarks
28	355973X1	2	Ring Snap	Segment D'Arrêt	Sicherungsring	Anillo De Resorte	
29	3501625M1	1	Pin Cyl Rod End X1	Axe	Bolzen	Pasador	
30	6100603M91	1	Connector Long	Borne	Doppelnippel	Unión	
31	#UNION	1	Union	Union	Union	Union	Ref. 30
32	835024M1	1	Ring O - Boa	Joint Torique	O Ring	Junta De Tipo O	
33	3502477M1	0	Shim-W/Pad(As Reqd)Xd	Cale	Ausgleichsscheibe	Calce	
33	3510644M1	0	Shim As Required X1	Cale	Ausgleichsscheibe	Calce	
34	3502473M2	2	Wear Pad, Inner - Ext. Dipper	Patin D&Ussure	Verschleißkissen	Patín De Desgaste	
35	6102559M1	1	Wear Pad Lower	Patin D&Ussure	Verschleißkissen	Patín De Desgaste	Torque Figures
36	3502976M2	2	Shim 3.00mm X1	Cale	Ausgleichsscheibe	Calce	Bottom
36	3501975M2	2	Shim 1.00mm Xd X1	Cale	Ausgleichsscheibe	Calce	
36	3502975M2	2	Shim 2.00mm X1	Cale	Ausgleichsscheibe	Calce	Top
37	3501655M2	2	Pad Spacer Xd	Entretoise	Distanzstück	Traviesa	
38	3517491M1	2	Bolt M24-90 10.9	Goupille	Sechskantschraube	Tornillo	
39	896-11024	2	Washer-Harden-M24	Rondelle - M24	Scheibe - M24	Arandela	
40	6102519M91	1	Cover Plate Assy	Plaque	Platte	Placa	
41	6102518M1	1	Wear Pad Upper	Patin D&Ussure	Verschleißkissen	Patín De Desgaste	
42	6100303M93	1	Dipper Extension - Inner, Case End	Ensemble De Rallonge	Verlängerung Kpl.	Extensión, Conj.	
43	#BODY	1	Body	Body	Body	Body	Ref. 42
44	339608X1	1	Grease Nipple - M10 X 1 (Zinc)	Nipple De Graissage	Schmiernippel	Engrasador	
45	3504012M1	1	Adaptor - Grease Nipple	Adaptateur	Reduziernippel	Adaptador	
46	3500009M3	2	Bush, Boom/Dipper Mounting	Douille	Buechse	Anillo	
47	3522720M2	1	Pin Dgr Bkt Ram Extbl	Goupille	Bolzen	Pasador	
48	3501289M1	1	Bolt M10-110 Z5s	Boulon	Sechskantschraube	Tornillo	
49	1440329X1	1	Nut, Hex. - Nyloc, M10	Ecrou Blocage	Flachmutter M10	Tuerca De Retención	
50	3522693M2	1	Pin Dipper/Boom Pivot	Axe	Bolzen	Pasador	
51	3501289M1	2	Bolt M10-110 Z5s	Boulon	Sechskantschraube	Tornillo	
52	1440329X1	2	Nut, Hex. - Nyloc, M10	Ecrou Blocage	Flachmutter M10	Tuerca De Retención	
53	3522693M2	1	Pin Dipper/Boom Pivot	Axe	Bolzen	Pasador	
54	3501289M1	2	Bolt M10-110 Z5s	Boulon	Sechskantschraube	Tornillo	





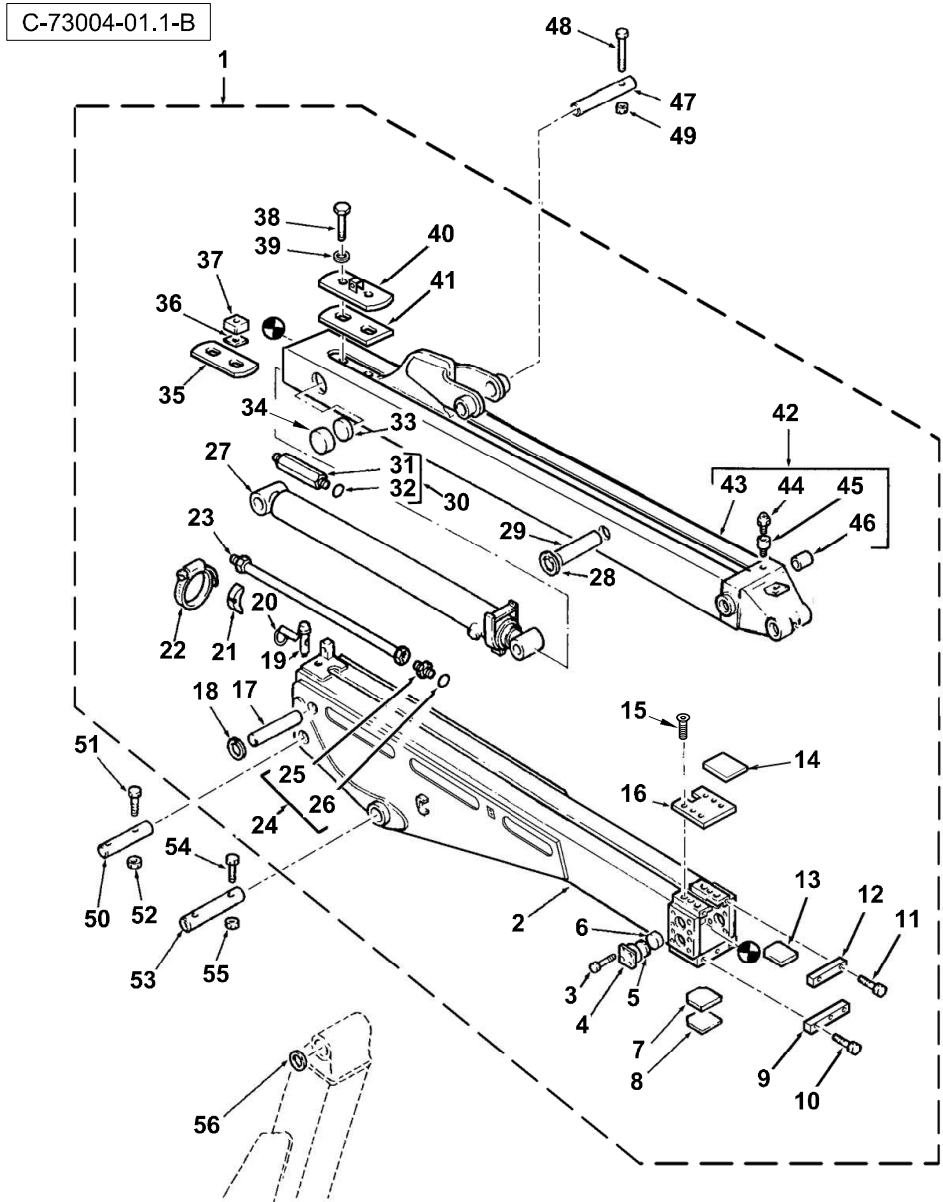
Item	Part No.	Qty.	English	French	German	Spanish	Remarks
55	1440329X1	2	Nut, Hex. - Nyloc, M10	Ecrou Blocage	Flachmutter M10	Tuerca De Retención	
56	3501027M1	2	Washer M44-65-5 R	Rondelle	Scheibe	Arandela	





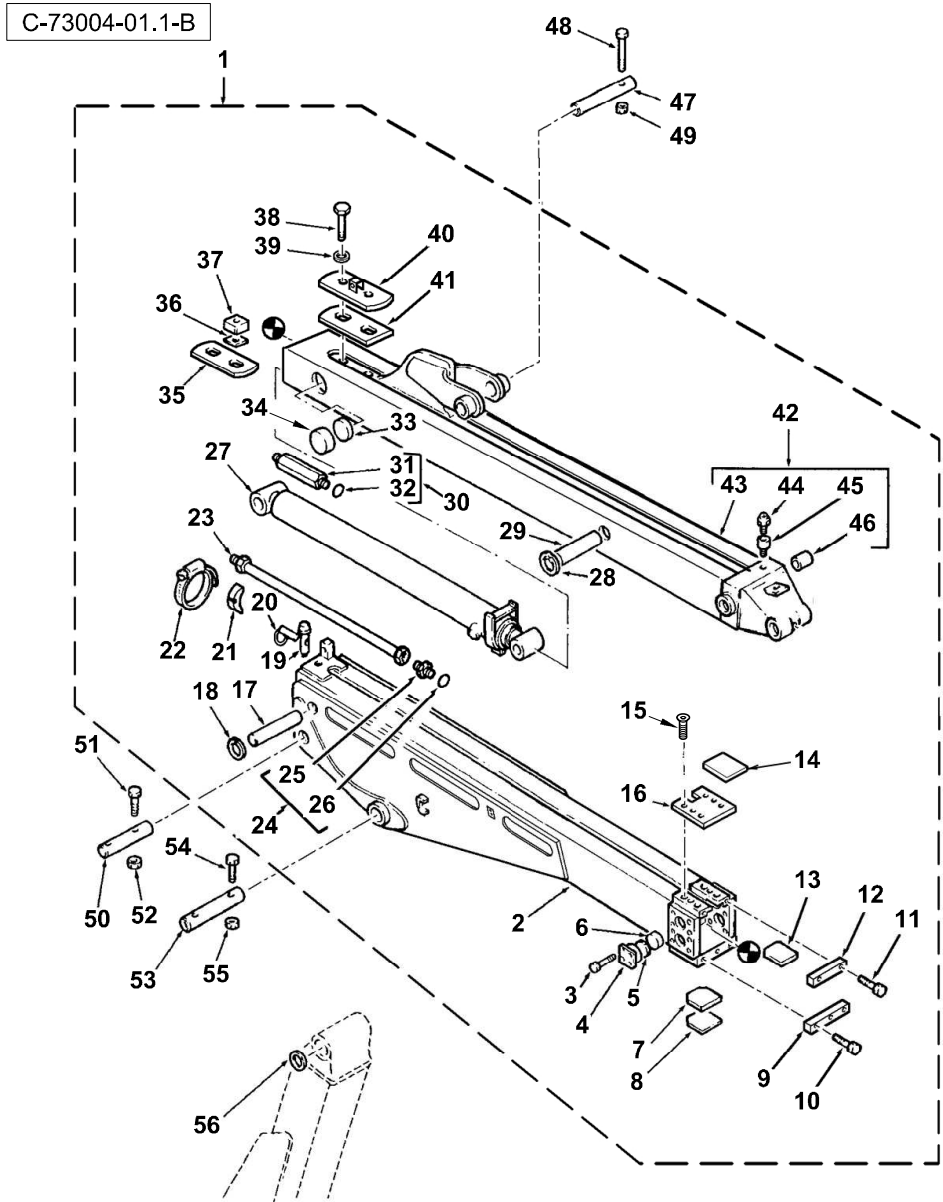
Item	Part No.	Qty.	English	French	German	Spanish	Remarks
1	5000127M91	1	Cylinder Extendable Dipper	L´Hie Hydraulique	Zylinder Hydr.	Gato, Conj.	73004c01.1 28
2	5003920M91	1	Barrel Assy	Barrel Assy	Barrel Assy	Barrel Assy	
3	5005266M91	1	Piston Rod Assy	Tige De Vérin	Kolbenstange	Pistón De Gato	
4	1607689M1	1	Lock Nut	Ecrou	Kontermutter	Tuerca De Retención	
5	1748324M1	2	O Ring	Joint Torique	O Ring	Junta De Tipo O	
6	3487078M1	1	Ring - Piston Guide	Anneau	Ring	Aro	
7	3443573M2	1	Seal Piston	Joint	Dichtung	Junta	
8	3487078M1	1	Ring - Piston Guide	Anneau	Ring	Aro	
9	5003929M1	1	Piston	Piston	Kolben	Pistón	
10	1442891X1	1	O-Ring	Joint Torique	O-Ring	Junta De Tipo O	
11	5001306M1	1	Ring, Back-Up	Contre Bague	Stützring	ContraJunta	
12	1441120X1	1	O-Ring	Joint Torique	O-Ring	Junta De Tipo O	
13	1881527M1	1	Ring Backup	Anneau	Ring	Aro	
14	3485976M1	1	Seal-40*55*10	Joint D´Arbre	Wellendichtring	Junta	
15	5001605M1	1	Bearing	Roulement	Lager	Cojinete	
16	3487585M1	1	O Ring	Joint Torique	O Ring	Junta De Tipo O	
17	5004084M91	1	Bearing Assy	Roulement	Radiallager	Cojinete	
18	1605446M1	1	Wiper Ring-40*50*7*10	Racleur	Wischer	Raspador, Escobilla	
19	5005362M91	0	Kit, Seal - Ext. Dipper Cylinder	Jeu Étanchéité	Dichtringsatz	Juego De Juntas	





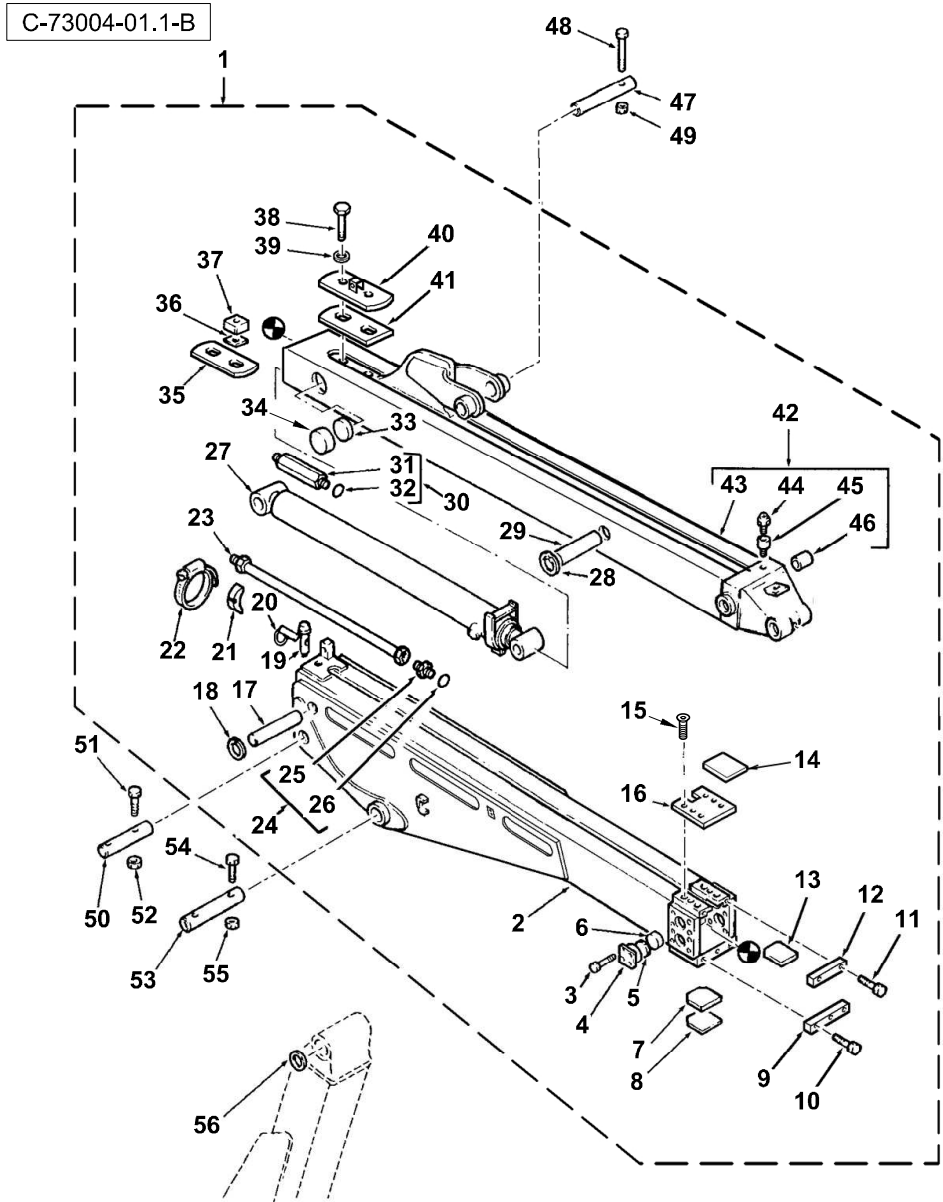
Item	Part No.	Qty.	English	French	German	Spanish	Remarks
1	6109587M91	1	Ext Dipper 4.75 (Case End)	Ensemble De Balancier	Löffelarm Kpl.	Balancín, Conj.	
2	6100743M96	1	Housing W/A - Ext. Dipper	Carter	Gehäuse	Cárter, Conj.	
3	3009492X1	16	Bolt - Hex. M10 X 25	Boulon M10 X 25	Schraube M10 X 25	Tornillo	
4	6106121M1	4	Casting-Wear Pad Housing	Carter	Gehäuse	Cárter	
5	3502476M1	0	Shim W/Pad(As Req'd) Xd	Cale	Ausgleichsscheibe	Calce	
5	3510645M1	0	Shim As Required Xd	Cale	Ausgleichsscheibe	Calce	
6	3502475M2	4	Wear Pad - Extending Dipper	Patin D'Usure	Verschleißkissen	Patín De Desgaste	
7	3501658M2	1	Pad-Collar Wear	Patin D'Usure	Verschleißkissen	Patín De Desgaste	
8	3510862M1	0	Shim As Required Xd	Cale	Ausgleichsscheibe	Calce	
8	3502940M1	0	Shim, 1mm - Extending Dipper	Cale	Ausgleichsscheibe	Calce	
8	3502938M1	0	Shim As Required X1	Cale	Ausgleichsscheibe	Calce	
8	3502939M1	0	Shim As Required X1	Cale	Ausgleichsscheibe	Calce	
9	6106164M1	1	Plate, Lower Scraper - Ext. Dipper	Plaque	Platte	Placa	
10	6007797M1	5	Screw M12 X 30	Vis	Schraube	Tornillo	
12	6102971M1	1	Bar-Top Wear Pad Retainer	Dispositif De Retenue	Befestigungsteil	Fijacion	
13	3501658M2	1	Pad-Collar Wear	Patin D'Usure	Verschleißkissen	Patín De Desgaste	
14	6108692M1	4	Decal - Operators Instruction Book	Adhésif	Aufkleber	Adhesivo	
15	3009464X1	6	Screw : M12 X 35 - ISO 10.9 (Zinc)	Vis - M12 X 35	Schraube - M12 X 35	Tornillo	
16	6111887M1	1	Plate	Plaque	Platte	Placa	
17	3501624M1	1	Pin 31.7 X 195mm	Axe	Bolzen	Pasador	
18	355973X1	2	Ring Snap	Segment D'Arrêt	Sicherungsring	Anillo De Resorte	
19	6108900M1	1	Pin, Transport Lock - Extending Dipper	Goupille	Bolzen	Pasador	
20	810285M92	1	Linch Pin & Ring	Goupille D'Arrêt	Klappstecker	Pasador De Parada	
21	D142787	2	Saddle (See 142787d)	Selle	Sattel	Bloque De Caucho	
22	3517728M1	2	Clip Jubilee 80-100	Bride Pour Tutaux	Schlauchschelle	Clip	
23	6100599M91	1	Tube Assy	Ensemble Tube	Rohr Kpl	Conjunto De Tubería	
24	835013M91	1	Connector 7/8 Jic	Raccord	Schraubanschluss	Conexión, Conj.	
25	#UNION	1	Union	Union	Union	Union	Ref. 24
26	835024M1	1	Ring O - Boa	Joint Torique	O Ring	Junta De Tipo O	
27	5000127M91	1	Cylinder Extendable Dipper	L' Hie Hydraulique	Zylinder Hydr.	Gato, Conj.	73004c02.1 1





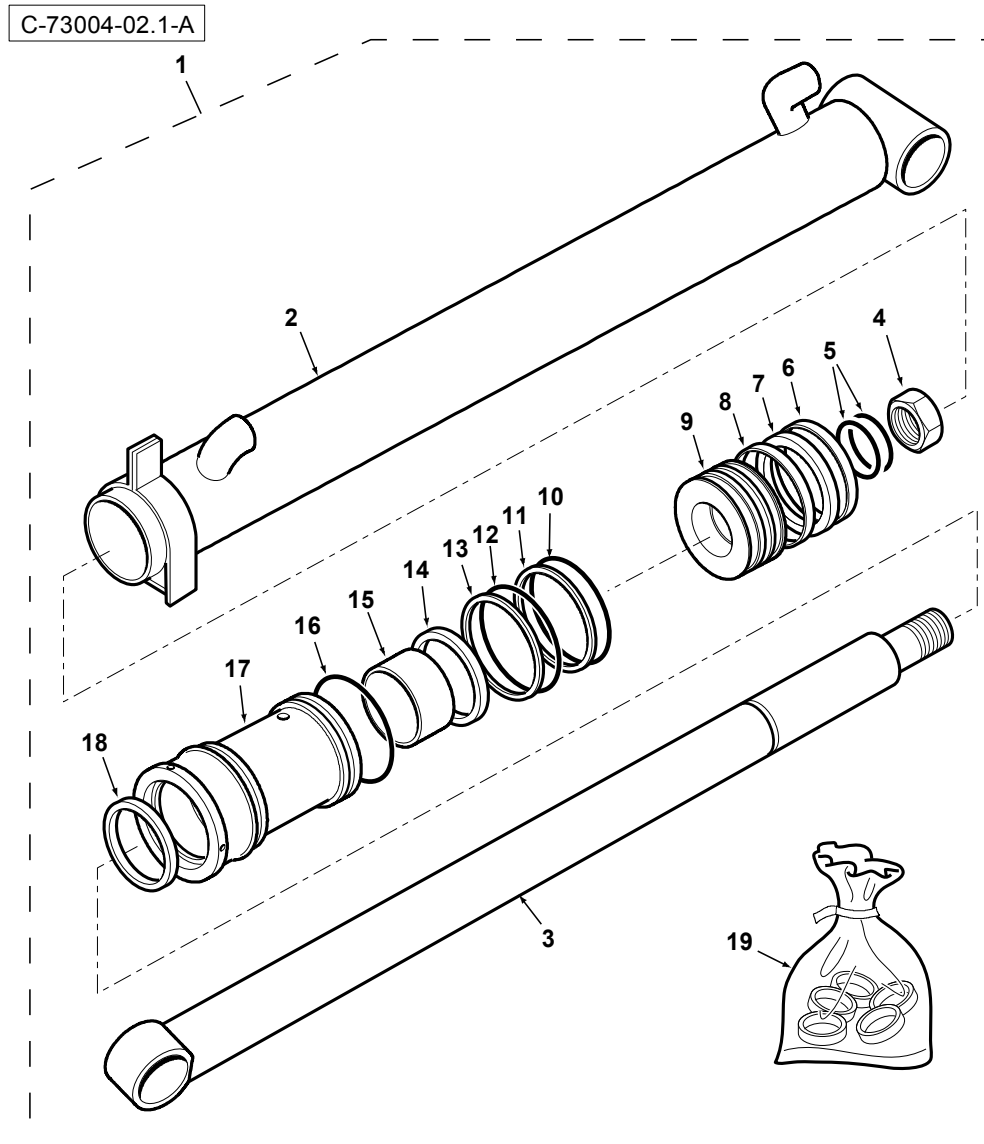
Item	Part No.	Qty.	English	French	German	Spanish	Remarks
28	355973X1	2	Ring Snap	Segment D'Arrêt	Sicherungsring	Anillo De Resorte	
29	3501625M1	1	Pin Cyl Rod End X1	Axe	Bolzen	Pasador	
30	6100603M91	1	Connector Long	Borne	Doppelnippel	Unión	
31	#UNION	1	Union	Union	Union	Union	Ref. 30
32	835024M1	1	Ring O - Boa	Joint Torique	O Ring	Junta De Tipo O	
33	3502477M1	0	Shim-W/Pad(As Reqd)Xd	Cale	Ausgleichsscheibe	Calce	
33	3510644M1	0	Shim As Required X1	Cale	Ausgleichsscheibe	Calce	
34	3502473M2	2	Wear Pad, Inner - Ext. Dipper	Patin D&Ushare	Verschleißkissen	Patín De Desgaste	
35	6102559M1	1	Wear Pad Lower	Patin D&Ushare	Verschleißkissen	Patín De Desgaste	Torque Figures
36	3502976M2	2	Shim 3.00mm X1	Cale	Ausgleichsscheibe	Calce	Bottom
36	3501975M2	2	Shim 1.00mm Xd X1	Cale	Ausgleichsscheibe	Calce	
36	3502975M2	2	Shim 2.00mm X1	Cale	Ausgleichsscheibe	Calce	Top
37	3501655M2	2	Pad Spacer Xd	Entretoise	Distanzstück	Traviesa	
38	3517491M1	2	Bolt M24-90 10.9	Goupille	Sechskantschraube	Tornillo	
39	896-11024	2	Washer-Harden-M24	Rondelle - M24	Scheibe - M24	Arandela	
40	6102519M91	1	Cover Plate Assy	Plaque	Platte	Placa	
41	6102518M1	1	Wear Pad Upper	Patin D&Ushare	Verschleißkissen	Patín De Desgaste	
42	6100303M93	1	Dipper Extension - Inner, Case End	Ensemble De Rallonge	Verlängerung Kpl.	Extensión, Conj.	
43	#BODY	1	Body	Body	Body	Body	Ref. 42
44	339608X1	1	Grease Nipple - M10 X 1 (Zinc)	Nipple De Graissage	Schmiernippel	Engrasador	
45	3504012M1	1	Adaptor - Grease Nipple	Adaptateur	Reduziernippel	Adaptador	
46	3500009M3	2	Bush, Boom/Dipper Mounting	Douille	Buechse	Anillo	
47	3522720M2	1	Pin Dgr Bkt Ram Extbl	Goupille	Bolzen	Pasador	
48	3501289M1	1	Bolt M10-110 Z5s	Boulon	Sechskantschraube	Tornillo	
49	1440329X1	1	Nut, Hex. - Nyloc, M10	Ecrou Blocage	Flachmutter M10	Tuerca De Retención	
50	3522693M2	1	Pin Dipper/Boom Pivot	Axe	Bolzen	Pasador	
51	3501289M1	2	Bolt M10-110 Z5s	Boulon	Sechskantschraube	Tornillo	
52	1440329X1	2	Nut, Hex. - Nyloc, M10	Ecrou Blocage	Flachmutter M10	Tuerca De Retención	
53	3522693M2	1	Pin Dipper/Boom Pivot	Axe	Bolzen	Pasador	
54	3501289M1	2	Bolt M10-110 Z5s	Boulon	Sechskantschraube	Tornillo	





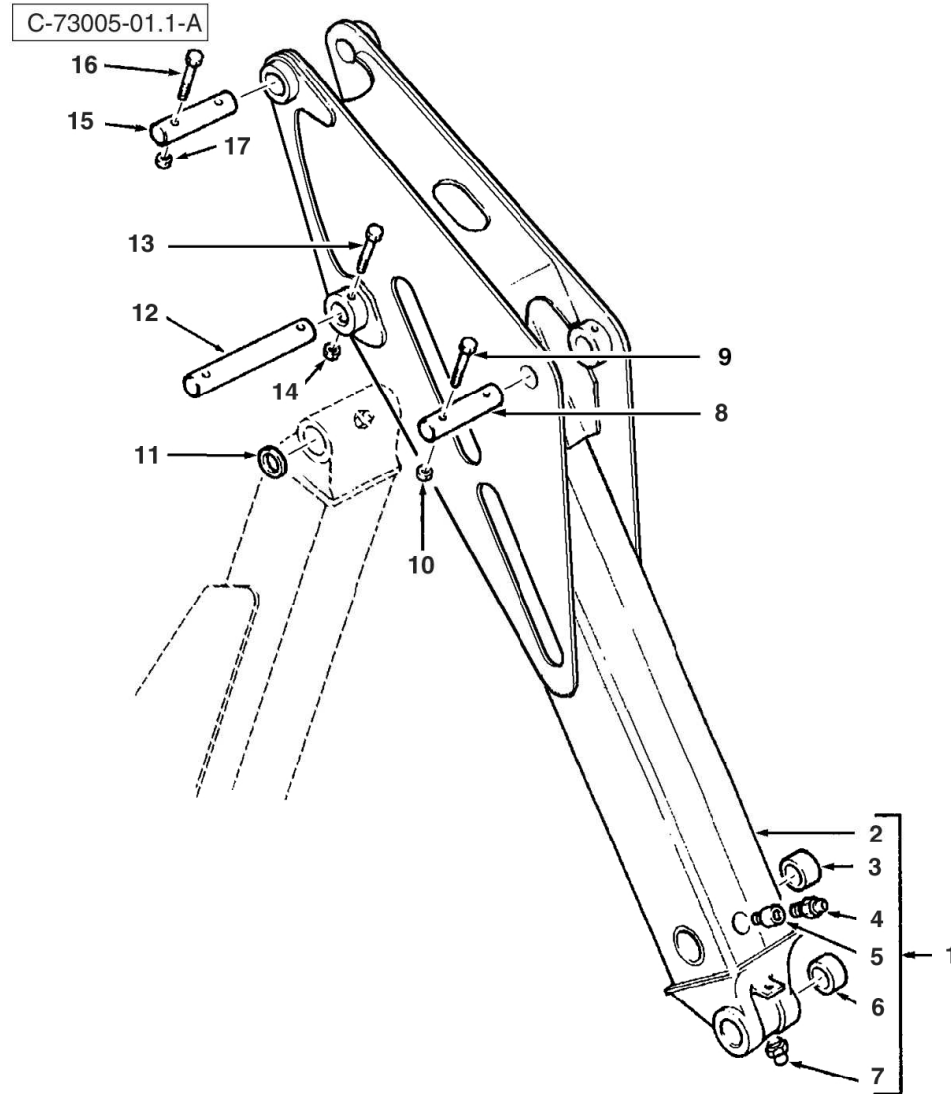
Item	Part No.	Qty.	English	French	German	Spanish	Remarks
55	1440329X1	2	Nut, Hex. - Nyloc, M10	Ecrou Blocage	Flachmutter M10	Tuerca De Retención	
56	3501027M1	2	Washer M44-65-5 R	Rondelle	Scheibe	Arandela	



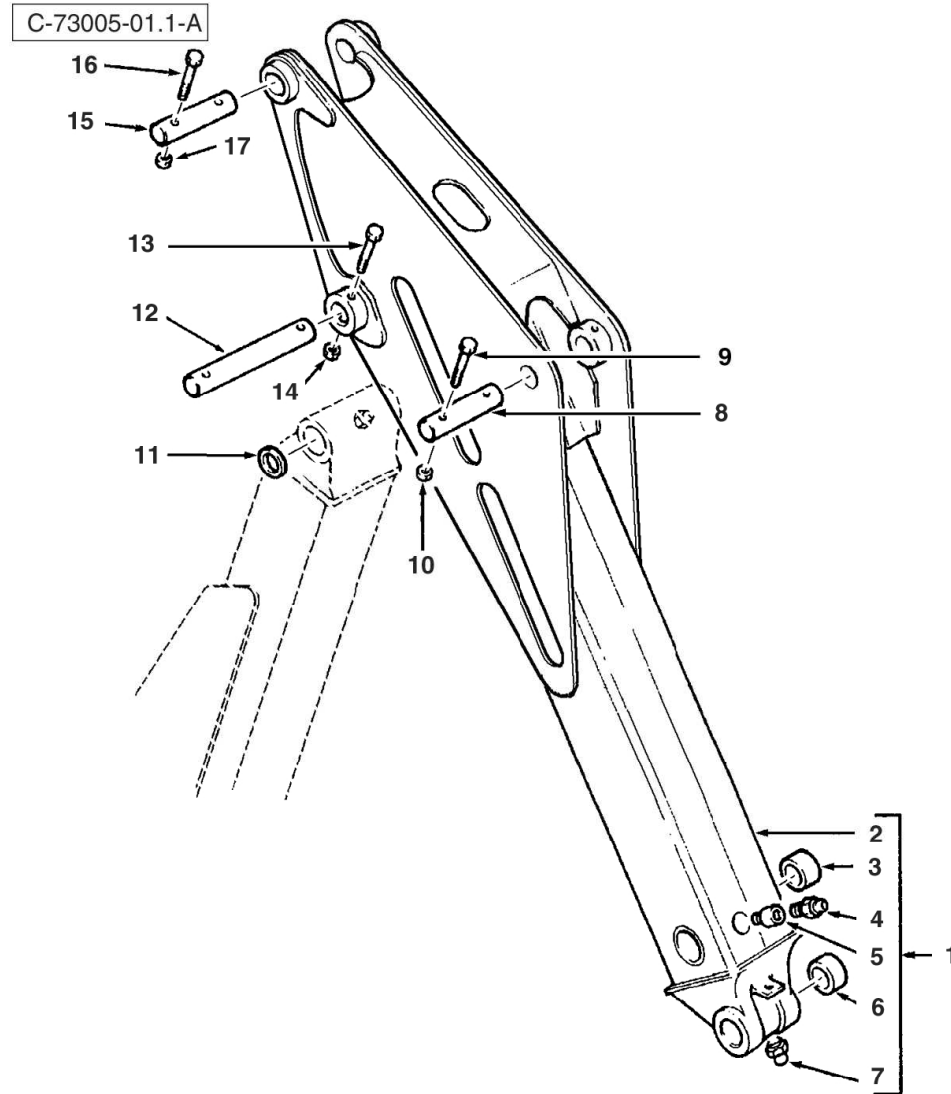


Item	Part No.	Qty.	English	French	German	Spanish	Remarks
1	5000127M91	1	Cylinder Extendable Dipper	L´Hie Hydraulique	Zylinder Hydr.	Gato, Conj.	73004c01.1 28
2	5003920M91	1	Barrel Assy	Barrel Assy	Barrel Assy	Barrel Assy	
3	5005266M91	1	Piston Rod Assy	Tige De Vérin	Kolbenstange	Pistón De Gato	
4	1607689M1	1	Lock Nut	Ecrou	Kontermutter	Tuerca De Retención	
5	1748324M1	2	O Ring	Joint Torique	O Ring	Junta De Tipo O	
6	3487078M1	1	Ring - Piston Guide	Anneau	Ring	Aro	
7	3443573M2	1	Seal Piston	Joint	Dichtung	Junta	
8	3487078M1	1	Ring - Piston Guide	Anneau	Ring	Aro	
9	5003929M1	1	Piston	Piston	Kolben	Pistón	
10	1442891X1	1	O-Ring	Joint Torique	O-Ring	Junta De Tipo O	
11	5001306M1	1	Ring, Back-Up	Contre Bague	Stützring	ContraJunta	
12	1441120X1	1	O-Ring	Joint Torique	O-Ring	Junta De Tipo O	
13	1881527M1	1	Ring Backup	Anneau	Ring	Aro	
14	3485976M1	1	Seal-40*55*10	Joint D´Arbre	Wellendichtring	Junta	
15	5001605M1	1	Bearing	Roulement	Lager	Cojinete	
16	3487585M1	1	O Ring	Joint Torique	O Ring	Junta De Tipo O	
17	5004084M91	1	Bearing Assy	Roulement	Radiallager	Cojinete	
18	1605446M1	1	Wiper Ring-40*50*7*10	Racleur	Wischer	Raspador, Escobilla	
19	5005362M91	0	Kit, Seal - Ext. Dipper Cylinder	Jeu Étanchéité	Dichtringsatz	Juego De Juntas	





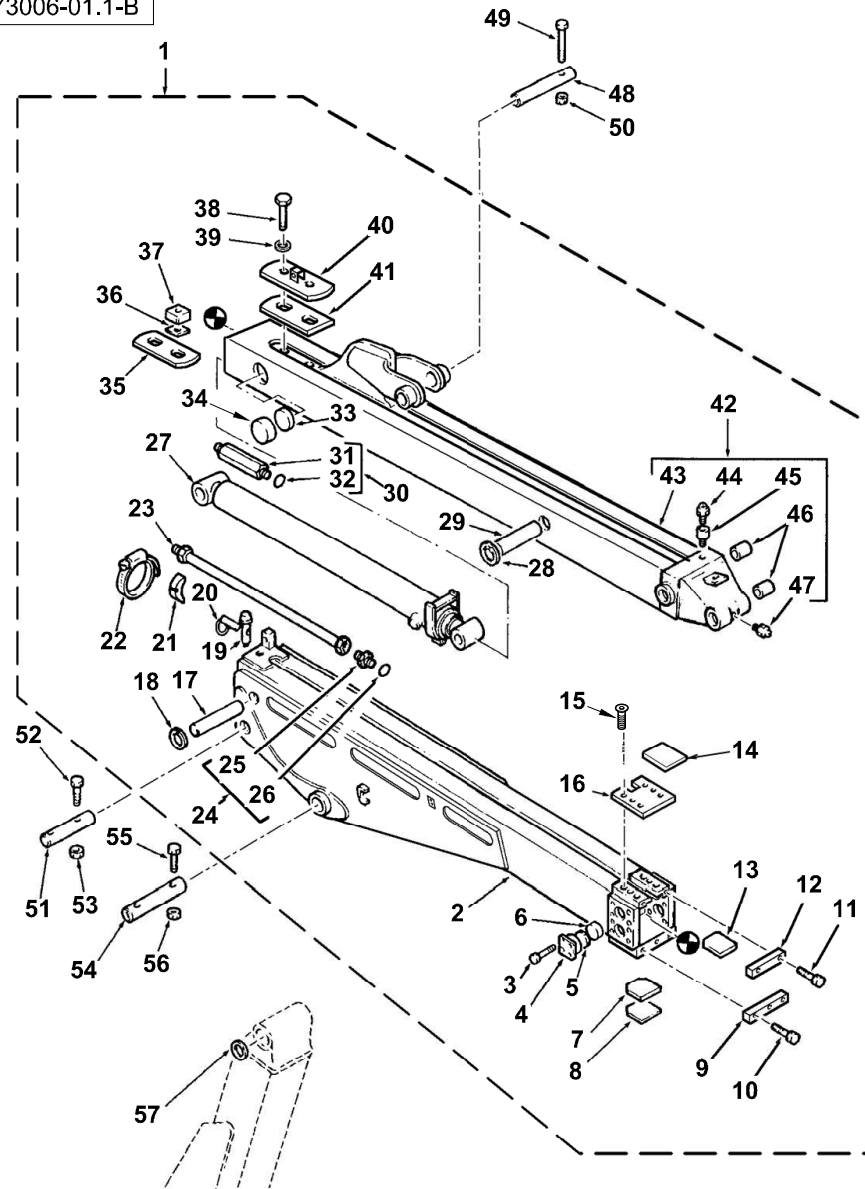
Item	Part No.	Qty.	English	French	German	Spanish	Remarks
1	6108840M91	1	Dipper - Standard -Jcb End	Ensemble De Balancier	Löffelarm Kpl.	Balancín, Conj.	
2	#DIPPER	1	Dipper	Dipper	Dipper	Dipper	Ref. 1
3	3500009M3	2	Bush, Boom/Dipper Mounting	Douille	Buechse	Anillo	
4	339608X1	1	Grease Nipple - M10 X 1 (Zinc)	Nipple De Graissage	Schmiernippel	Engrasador	
5	3504012M1	1	Adaptor - Grease Nipple	Adaptateur	Reduziernippel	Adaptador	
6	3500009M3	2	Bush, Boom/Dipper Mounting	Douille	Buechse	Anillo	
7	339608X1	1	Grease Nipple - M10 X 1 (Zinc)	Nipple De Graissage	Schmiernippel	Engrasador	
8	3522694M2	1	Pin Dippr Lift Ram Top	Axe	Bolzen	Pasador	
9	3501289M1	1	Bolt M10-110 Z5s	Boulon	Sechskantschraube	Tornillo	
10	1440329X1	1	Nut, Hex. - Nyloc, M10	Ecrou Blocage	Flachmutter M10	Tuerca De Retención	
11	3501027M1	2	Washer M44-65-5 R	Rondelle	Scheibe	Arandela	
12	3522693M2	1	Pin Dipper/Boom Pivot	Axe	Bolzen	Pasador	
13	3501289M1	2	Bolt M10-110 Z5s	Boulon	Sechskantschraube	Tornillo	
14	1440329X1	2	Nut, Hex. - Nyloc, M10	Ecrou Blocage	Flachmutter M10	Tuerca De Retención	
15	3522693M2	1	Pin Dipper/Boom Pivot	Axe	Bolzen	Pasador	
16	3501289M1	2	Bolt M10-110 Z5s	Boulon	Sechskantschraube	Tornillo	
17	1440329X1	2	Nut, Hex. - Nyloc, M10	Ecrou Blocage	Flachmutter M10	Tuerca De Retención	



Item	Part No.	Qty.	English	French	German	Spanish	Remarks
1	6108840M91	1	Dipper - Standard -Jcb End	Ensemble De Balancier	Löffelarm Kpl.	Balancín, Conj.	
2	#DIPPER	1	Dipper	Dipper	Dipper	Dipper	Ref. 1
3	3500009M3	2	Bush, Boom/Dipper Mounting	Douille	Buechse	Anillo	
4	339608X1	1	Grease Nipple - M10 X 1 (Zinc)	Nipple De Graissage	Schmiernippel	Engrasador	
5	3504012M1	1	Adaptor - Grease Nipple	Adaptateur	Reduziernippel	Adaptador	
6	3500009M3	2	Bush, Boom/Dipper Mounting	Douille	Buechse	Anillo	
7	339608X1	1	Grease Nipple - M10 X 1 (Zinc)	Nipple De Graissage	Schmiernippel	Engrasador	
8	3522694M2	1	Pin Dippr Lift Ram Top	Axe	Bolzen	Pasador	
9	3501289M1	1	Bolt M10-110 Z5s	Boulon	Sechskantschraube	Tornillo	
10	1440329X1	1	Nut, Hex. - Nyloc, M10	Ecrou Blocage	Flachmutter M10	Tuerca De Retención	
11	3501027M1	2	Washer M44-65-5 R	Rondelle	Scheibe	Arandela	
12	3522693M2	1	Pin Dipper/Boom Pivot	Axe	Bolzen	Pasador	
13	3501289M1	2	Bolt M10-110 Z5s	Boulon	Sechskantschraube	Tornillo	
14	1440329X1	2	Nut, Hex. - Nyloc, M10	Ecrou Blocage	Flachmutter M10	Tuerca De Retención	
15	3522693M2	1	Pin Dipper/Boom Pivot	Axe	Bolzen	Pasador	
16	3501289M1	2	Bolt M10-110 Z5s	Boulon	Sechskantschraube	Tornillo	
17	1440329X1	2	Nut, Hex. - Nyloc, M10	Ecrou Blocage	Flachmutter M10	Tuerca De Retención	

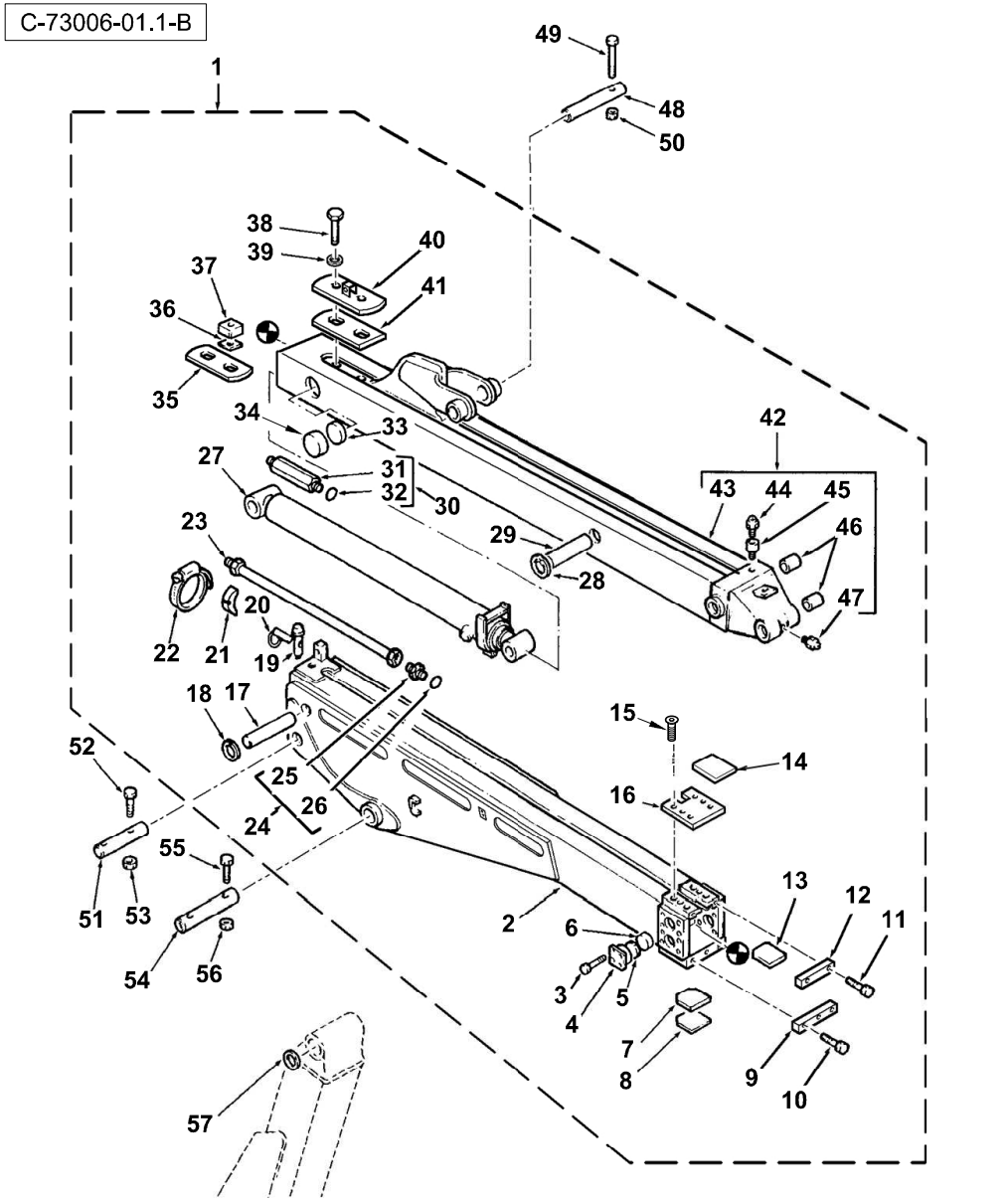


C-73006-01.1-B



Item	Part No.	Qty.	English	French	German	Spanish	Remarks
1	6108790M92	1	Ext Dipper 4.75 (Jcb End)	Ensemble De Balancier	Löffelarm Kpl.	Balancín, Conj.	
2	6100743M96	1	Housing W/A - Ext. Dipper	Carter	Gehäuse	Cárter, Conj.	
3	3009492X1	16	Bolt - Hex. M10 X 25	Boulon M10 X 25	Schraube M10 X 25	Tornillo	
4	6106121M1	4	Casting-Wear Pad Housing	Carter	Gehäuse	Cárter	
5	3502476M1	0	Shim W/Pad(As Req'd) Xd	Cale	Ausgleichsscheibe	Calce	
5	3510645M1	0	Shim As Required Xd	Cale	Ausgleichsscheibe	Calce	
6	3502475M2	4	Wear Pad - Extending Dipper	Patin D'Usure	Verschleißkissen	Patín De Desgaste	
7	3501658M2	1	Pad-Collar Wear	Patin D'Usure	Verschleißkissen	Patín De Desgaste	
8	3502938M1	0	Shim As Required X1	Cale	Ausgleichsscheibe	Calce	
8	3502939M1	0	Shim As Required X1	Cale	Ausgleichsscheibe	Calce	
8	3502940M1	0	Shim, 1mm - Extending Dipper	Cale	Ausgleichsscheibe	Calce	
8	3510862M1	0	Shim As Required Xd	Cale	Ausgleichsscheibe	Calce	
9	6106164M1	1	Plate, Lower Scraper - Ext. Dipper	Plaque	Platte	Placa	
10	6007797M1	5	Screw M12 X 30	Vis	Schraube	Tornillo	
12	6102971M1	1	Bar-Top Wear Pad Retainer	Dispositif De Retenue	Befestigungsteil	Fijacion	
13	3501658M2	1	Pad-Collar Wear	Patin D'Usure	Verschleißkissen	Patín De Desgaste	
14	6108692M1	4	Decal - Operators Instruction Book	Adhésif	Aufkleber	Adhesivo	
15	3009464X1	6	Screw : M12 X 35 - ISO 10.9 (Zinc)	Vis - M12 X 35	Schraube - M12 X 35	Tornillo	
16	6111887M1	1	Plate	Plaque	Platte	Placa	
17	3501624M1	1	Pin 31.7 X 195mm	Axe	Bolzen	Pasador	
18	355973X1	2	Ring Snap	Segment D'Arrêt	Sicherungsring	Anillo De Resorte	
19	6108900M1	1	Pin, Transport Lock - Extending Dipper	Goupille	Bolzen	Pasador	
20	810285M92	1	Linch Pin & Ring	Goupille D'Arrêt	Klappstecker	Pasador De Parada	
21	D142787	2	Saddle (See 142787d)	Selle	Sattel	Bloque De Caucho	
22	3517728M1	2	Clip Jubilee 80-100	Bride Pour Tutaux	Schlauchschelle	Clip	
23	6100599M91	1	Tube Assy	Ensemble Tube	Rohr Kpl	Conjunto De Tubería	
24	835013M91	1	Connector 7/8 Jic	Raccord	Schraubanschluss	Conexión, Conj.	
25	#UNION	1	Union	Union	Union	Union	Ref. 24
26	835024M1	1	Ring O - Boa	Joint Torique	O Ring	Junta De Tipo O	
27	5000127M91	1	Cylinder Extendable Dipper	L'Hie Hydraulique	Zylinder Hydr.	Gato, Conj.	73006c02.1 1

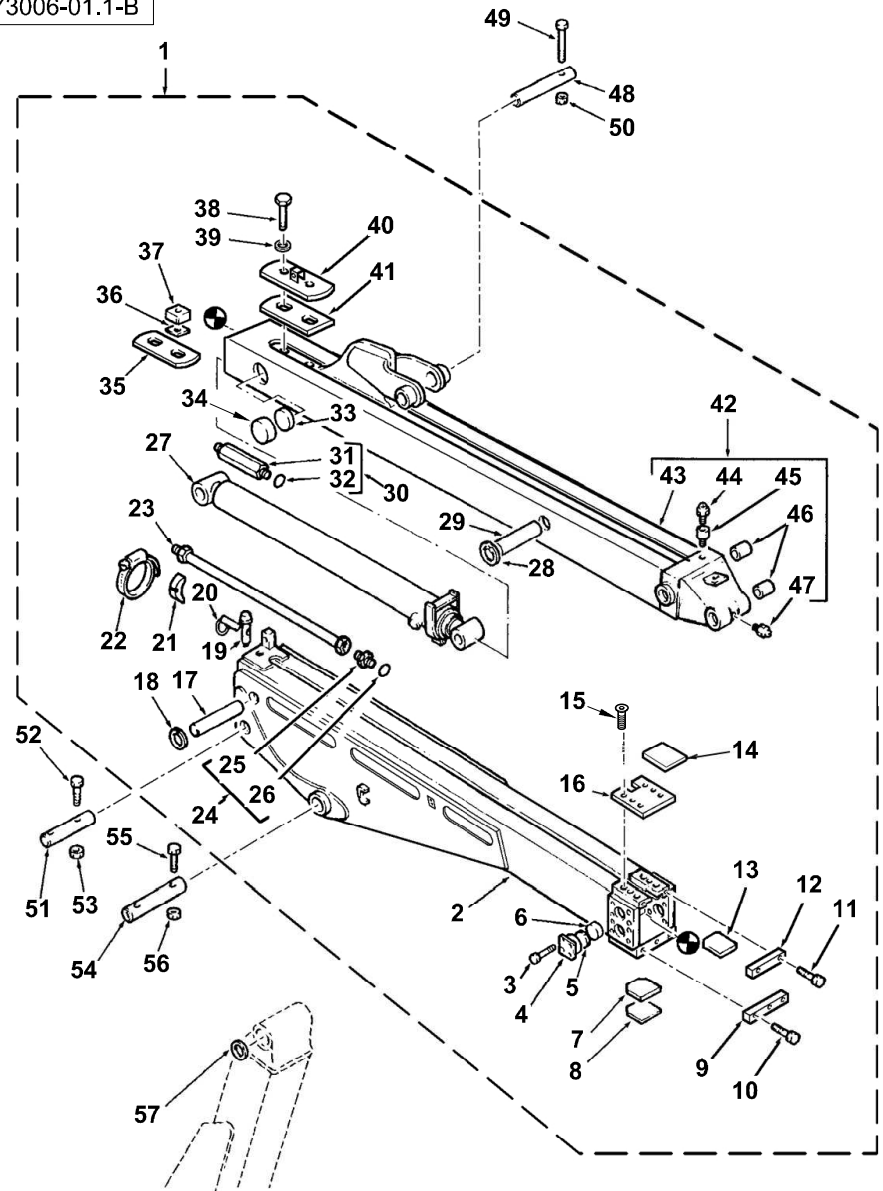




Item	Part No.	Qty.	English	French	German	Spanish	Remarks
28	355973X1	2	Ring Snap	Segment D'Arrêt	Sicherungsring	Anillo De Resorte	
29	3501625M1	1	Pin Cyl Rod End X1	Axe	Bolzen	Pasador	
30	6100603M91	1	Connector Long	Borne	Doppelnippel	Unión	
31	#UNION	1	Union	Union	Union	Union	Ref. 30
32	835024M1	1	Ring O - Boa	Joint Torique	O Ring	Junta De Tipo O	
33	3502477M1	0	Shim-W/Pad(As Reqd)Xd	Cale	Ausgleichsscheibe	Calce	
33	3510644M1	0	Shim As Required X1	Cale	Ausgleichsscheibe	Calce	
34	3502473M2	2	Wear Pad, Inner - Ext. Dipper	Patin D&Ushare	Verschleißkissen	Patín De Desgaste	
35	6102559M1	1	Wear Pad Lower	Patin D&Ushare	Verschleißkissen	Patín De Desgaste	Torque Figures
36	3502976M2	2	Shim 3.00mm X1	Cale	Ausgleichsscheibe	Calce	Bottom
36	3502975M2	2	Shim 2.00mm X1	Cale	Ausgleichsscheibe	Calce	Top
36	3501975M2	2	Shim 1.00mm Xd X1	Cale	Ausgleichsscheibe	Calce	
37	3501655M2	2	Pad Spacer Xd	Entretoise	Distanzstück	Traviesa	
38	3517491M1	2	Bolt M24-90 10.9	Goupille	Sechskantschraube	Tornillo	
39	896-11024	2	Washer-Harden-M24	Rondelle - M24	Scheibe - M24	Arandela	
40	6102519M91	1	Cover Plate Assy	Plaque	Platte	Placa	
41	6102518M1	1	Wear Pad Upper	Patin D&Ushare	Verschleißkissen	Patín De Desgaste	
42	6108789M91	1	Dipper Tele Exdip Jcb	Ensemble De Rallonge	Verlängerung Kpl.	Extensión, Conj.	
43	#BODY	1	Body	Body	Body	Body	Ref. 42
44	339608X1	1	Grease Nipple - M10 X 1 (Zinc)	Nipple De Graissage	Schmiernippel	Engrasador	
45	3504012M1	1	Adaptor - Grease Nipple	Adaptateur	Reduziernippel	Adaptador	
46	6106532M1	2	Bush-Dipper	Douille	Büchse	Anillo	
47	339608X1	1	Grease Nipple - M10 X 1 (Zinc)	Nipple De Graissage	Schmiernippel	Engrasador	
48	3522720M2	1	Pin Dgr Bkt Ram Extbl	Goupille	Bolzen	Pasador	
49	3501289M1	1	Bolt M10-110 Z5s	Boulon	Sechskantschraube	Tornillo	
50	1440329X1	1	Nut, Hex. - Nyloc, M10	Ecrou Blocage	Flachmutter M10	Tuerca De Retención	
51	3522693M2	1	Pin Dipper/Boom Pivot	Axe	Bolzen	Pasador	
52	3501289M1	2	Bolt M10-110 Z5s	Boulon	Sechskantschraube	Tornillo	
53	1440329X1	2	Nut, Hex. - Nyloc, M10	Ecrou Blocage	Flachmutter M10	Tuerca De Retención	
54	3522693M2	1	Pin Dipper/Boom Pivot	Axe	Bolzen	Pasador	

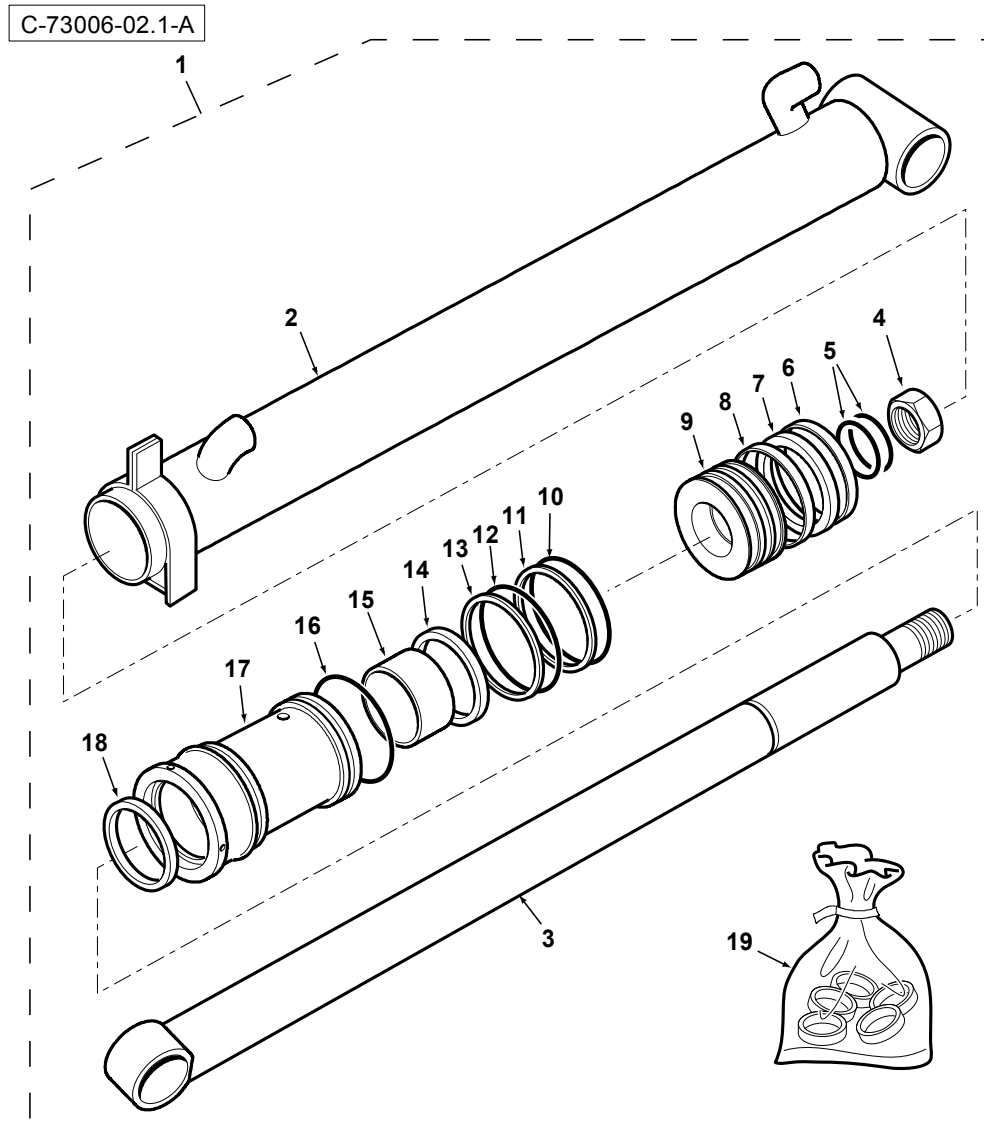


C-73006-01.1-B



Item	Part No.	Qty.	English	French	German	Spanish	Remarks
55	3501289M1	2	Bolt M10-110 Z5s	Boulon	Sechskantschraube	Tornillo	
56	1440329X1	2	Nut, Hex. - Nyloc, M10	Ecrou Blocage	Flachmutter M10	Tuerca De Retención	
57	3501027M1	2	Washer M44-65-5 R	Rondelle	Scheibe	Arandela	

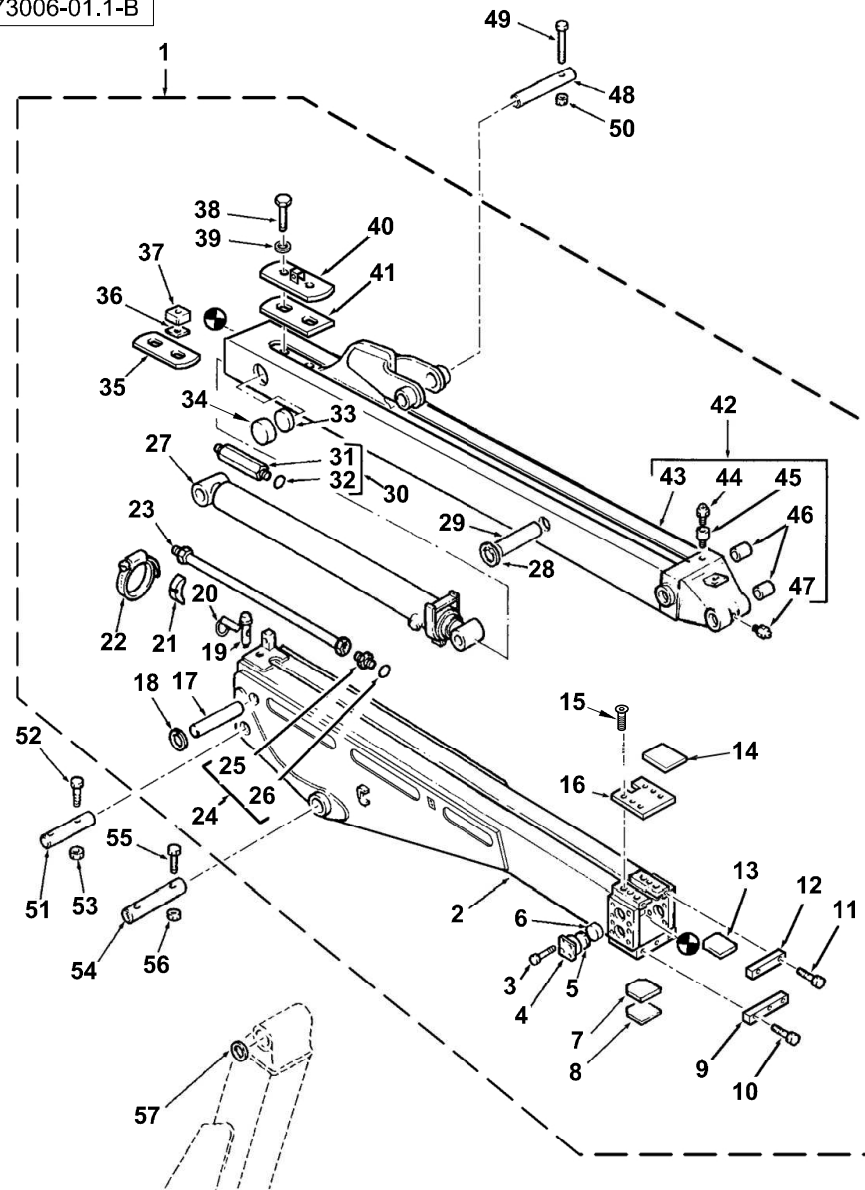




Item	Part No.	Qty.	English	French	German	Spanish	Remarks
1	5000127M91	1	Cylinder Extendable Dipper	L´Hie Hydraulique	Zylinder Hydr.	Gato, Conj.	73006c01.1 28
2	5003920M91	1	Barrel Assy	Barrel Assy	Barrel Assy	Barrel Assy	
3	5005266M91	1	Piston Rod Assy	Tige De Vérin	Kolbenstange	Pistón De Gato	
4	1607689M1	1	Lock Nut	Ecrou	Kontermutter	Tuerca De Retención	
5	1748324M1	2	O Ring	Joint Torique	O Ring	Junta De Tipo O	
6	3487078M1	1	Ring - Piston Guide	Anneau	Ring	Aro	
7	3443573M2	1	Seal Piston	Joint	Dichtung	Junta	
8	3487078M1	1	Ring - Piston Guide	Anneau	Ring	Aro	
9	5003929M1	1	Piston	Piston	Kolben	Pistón	
10	1442891X1	1	O-Ring	Joint Torique	O-Ring	Junta De Tipo O	
11	5001306M1	1	Ring, Back-Up	Contre Bague	Stützring	ContraJunta	
12	1441120X1	1	O-Ring	Joint Torique	O-Ring	Junta De Tipo O	
13	1881527M1	1	Ring Backup	Anneau	Ring	Aro	
14	3485976M1	1	Seal-40*55*10	Joint D´Arbre	Wellendichtring	Junta	
15	5001605M1	1	Bearing	Roulement	Lager	Cojinete	
16	3487585M1	1	O Ring	Joint Torique	O Ring	Junta De Tipo O	
17	5004084M91	1	Bearing Assy	Roulement	Radiallager	Cojinete	
18	1605446M1	1	Wiper Ring-40*50*7*10	Racleur	Wischer	Raspador, Escobilla	
19	5005362M91	0	Kit, Seal - Ext. Dipper Cylinder	Jeu Étanchéité	Dichtringsatz	Juego De Juntas	



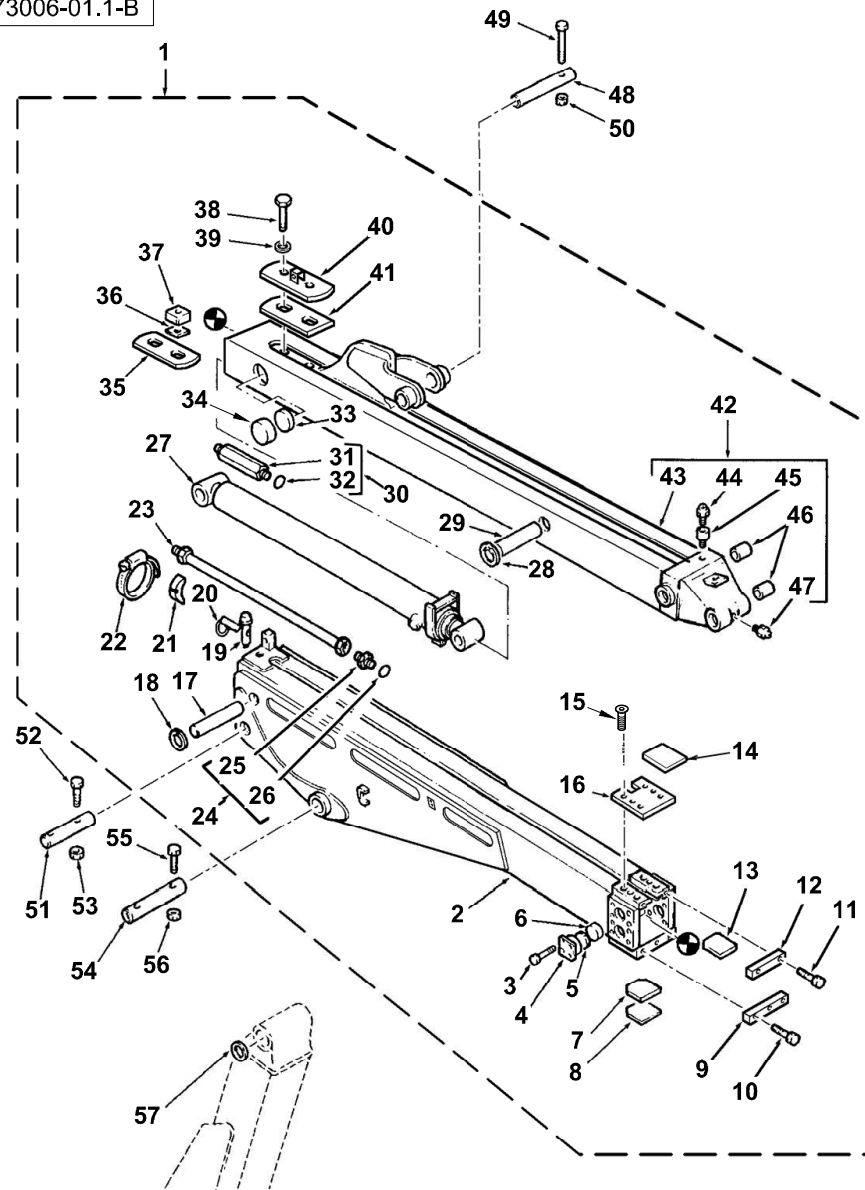
C-73006-01.1-B



Item	Part No.	Qty.	English	French	German	Spanish	Remarks
1	6108790M92	1	Ext Dipper 4.75 (Jcb End)	Ensemble De Balancier	Löffelarm Kpl.	Balancín, Conj.	
2	6100743M96	1	Housing W/A - Ext. Dipper	Carter	Gehäuse	Cárter, Conj.	
3	3009492X1	16	Bolt - Hex. M10 X 25	Boulon M10 X 25	Schraube M10 X 25	Tornillo	
4	6106121M1	4	Casting-Wear Pad Housing	Carter	Gehäuse	Cárter	
5	3502476M1	0	Shim W/Pad(As Req'd) Xd	Cale	Ausgleichsscheibe	Calce	
5	3510645M1	0	Shim As Required Xd	Cale	Ausgleichsscheibe	Calce	
6	3502475M2	4	Wear Pad - Extending Dipper	Patin D'Usure	Verschleißkissen	Patín De Desgaste	
7	3501658M2	1	Pad-Collar Wear	Patin D'Usure	Verschleißkissen	Patín De Desgaste	
8	3502938M1	0	Shim As Required X1	Cale	Ausgleichsscheibe	Calce	
8	3502939M1	0	Shim As Required X1	Cale	Ausgleichsscheibe	Calce	
8	3502940M1	0	Shim, 1mm - Extending Dipper	Cale	Ausgleichsscheibe	Calce	
8	3510862M1	0	Shim As Required Xd	Cale	Ausgleichsscheibe	Calce	
9	6106164M1	1	Plate, Lower Scraper - Ext. Dipper	Plaque	Platte	Placa	
10	6007797M1	5	Screw M12 X 30	Vis	Schraube	Tornillo	
12	6102971M1	1	Bar-Top Wear Pad Retainer	Dispositif De Retenue	Befestigungsteil	Fijacion	
13	3501658M2	1	Pad-Collar Wear	Patin D'Usure	Verschleißkissen	Patín De Desgaste	
14	6108692M1	4	Decal - Operators Instruction Book	Adhésif	Aufkleber	Adhesivo	
15	3009464X1	6	Screw : M12 X 35 - ISO 10.9 (Zinc)	Vis - M12 X 35	Schraube - M12 X 35	Tornillo	
16	6111887M1	1	Plate	Plaque	Platte	Placa	
17	3501624M1	1	Pin 31.7 X 195mm	Axe	Bolzen	Pasador	
18	355973X1	2	Ring Snap	Segment D'Arrêt	Sicherungsring	Anillo De Resorte	
19	6108900M1	1	Pin, Transport Lock - Extending Dipper	Goupille	Bolzen	Pasador	
20	810285M92	1	Linch Pin & Ring	Goupille D'Arrêt	Klappstecker	Pasador De Parada	
21	D142787	2	Saddle (See 142787d)	Selle	Sattel	Bloque De Caucho	
22	3517728M1	2	Clip Jubilee 80-100	Bride Pour Tutaux	Schlauchschelle	Clip	
23	6100599M91	1	Tube Assy	Ensemble Tube	Rohr Kpl	Conjunto De Tubería	
24	835013M91	1	Connector 7/8 Jic	Raccord	Schraubanschluss	Conexión, Conj.	
25	#UNION	1	Union	Union	Union	Union	Ref. 24
26	835024M1	1	Ring O - Boa	Joint Torique	O Ring	Junta De Tipo O	
27	5000127M91	1	Cylinder Extendable Dipper	L' Hie Hydraulique	Zylinder Hydr.	Gato, Conj.	73006c02.1 1



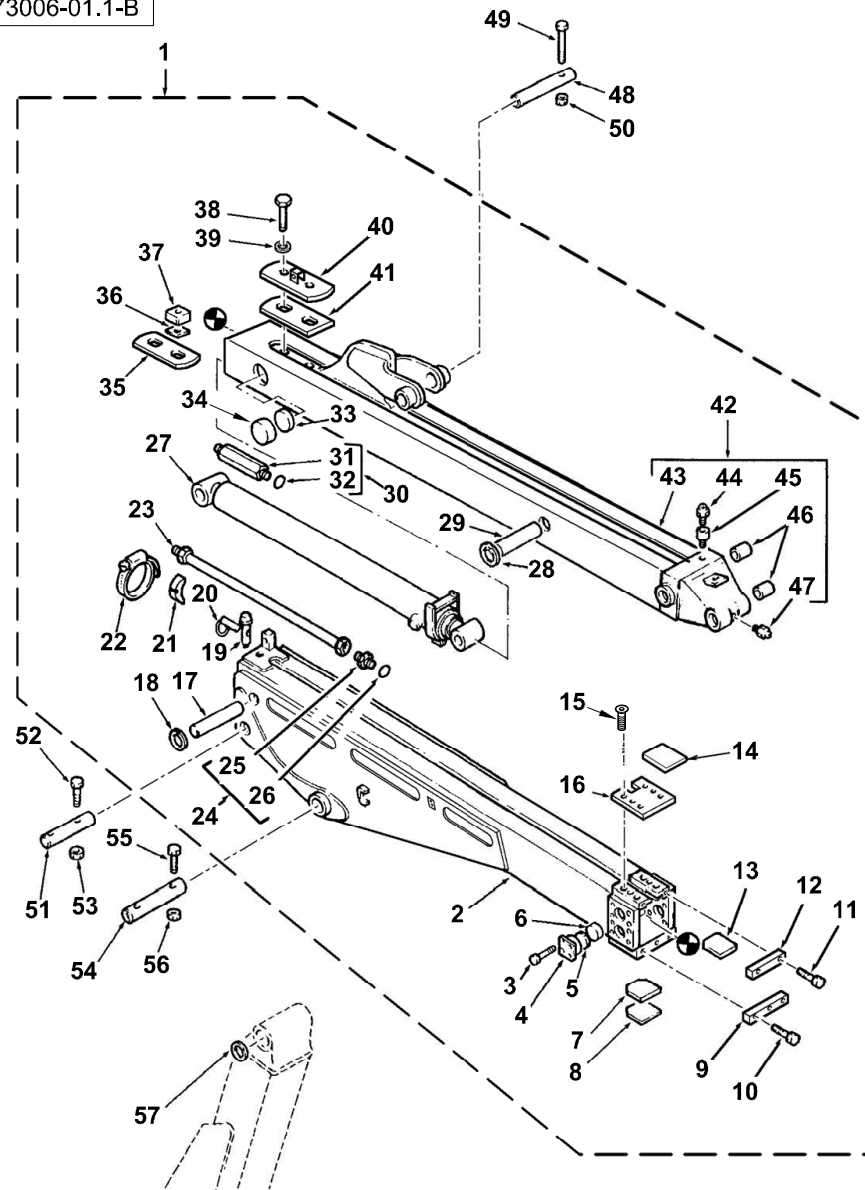
C-73006-01.1-B



Item	Part No.	Qty.	English	French	German	Spanish	Remarks
28	355973X1	2	Ring Snap	Segment D´Arrêt	Sicherungsring	Anillo De Resorte	
29	3501625M1	1	Pin Cyl Rod End X1	Axe	Bolzen	Pasador	
30	6100603M91	1	Connector Long	Borne	Doppelnippel	Unión	
31	#UNION	1	Union	Union	Union	Union	Ref. 30
32	835024M1	1	Ring O - Boa	Joint Torique	O Ring	Junta De Tipo O	
33	3502477M1	0	Shim-W/Pad(As Reqd)Xd	Cale	Ausgleichsscheibe	Calce	
33	3510644M1	0	Shim As Required X1	Cale	Ausgleichsscheibe	Calce	
34	3502473M2	2	Wear Pad, Inner - Ext. Dipper	Patin D&Ushare	Verschleißkissen	Patín De Desgaste	
35	6102559M1	1	Wear Pad Lower	Patin D&Ushare	Verschleißkissen	Patín De Desgaste	Torque Figures
36	3502976M2	2	Shim 3.00mm X1	Cale	Ausgleichsscheibe	Calce	Bottom
36	3502975M2	2	Shim 2.00mm X1	Cale	Ausgleichsscheibe	Calce	Top
36	3501975M2	2	Shim 1.00mm Xd X1	Cale	Ausgleichsscheibe	Calce	
37	3501655M2	2	Pad Spacer Xd	Entretoise	Distanzstück	Traviesa	
38	3517491M1	2	Bolt M24-90 10.9	Goupille	Sechskantschraube	Tornillo	
39	896-11024	2	Washer-Harden-M24	Rondelle - M24	Scheibe - M24	Arandela	
40	6102519M91	1	Cover Plate Assy	Plaque	Platte	Placa	
41	6102518M1	1	Wear Pad Upper	Patin D&Ushare	Verschleißkissen	Patín De Desgaste	
42	6108789M91	1	Dipper Tele Exdip Jcb	Ensemble De Rallonge	Verlängerung Kpl.	Extensión, Conj.	
43	#BODY	1	Body	Body	Body	Body	Ref. 42
44	339608X1	1	Grease Nipple - M10 X 1 (Zinc)	Nipple De Graissage	Schmiernippel	Engrasador	
45	3504012M1	1	Adaptor - Grease Nipple	Adaptateur	Reduziernippel	Adaptador	
46	6106532M1	2	Bush-Dipper	Douille	Büchse	Anillo	
47	339608X1	1	Grease Nipple - M10 X 1 (Zinc)	Nipple De Graissage	Schmiernippel	Engrasador	
48	3522720M2	1	Pin Dgr Bkt Ram Extbl	Goupille	Bolzen	Pasador	
49	3501289M1	1	Bolt M10-110 Z5s	Boulon	Sechskantschraube	Tornillo	
50	1440329X1	1	Nut, Hex. - Nyloc, M10	Ecrou Blocage	Flachmutter M10	Tuerca De Retención	
51	3522693M2	1	Pin Dipper/Boom Pivot	Axe	Bolzen	Pasador	
52	3501289M1	2	Bolt M10-110 Z5s	Boulon	Sechskantschraube	Tornillo	
53	1440329X1	2	Nut, Hex. - Nyloc, M10	Ecrou Blocage	Flachmutter M10	Tuerca De Retención	
54	3522693M2	1	Pin Dipper/Boom Pivot	Axe	Bolzen	Pasador	

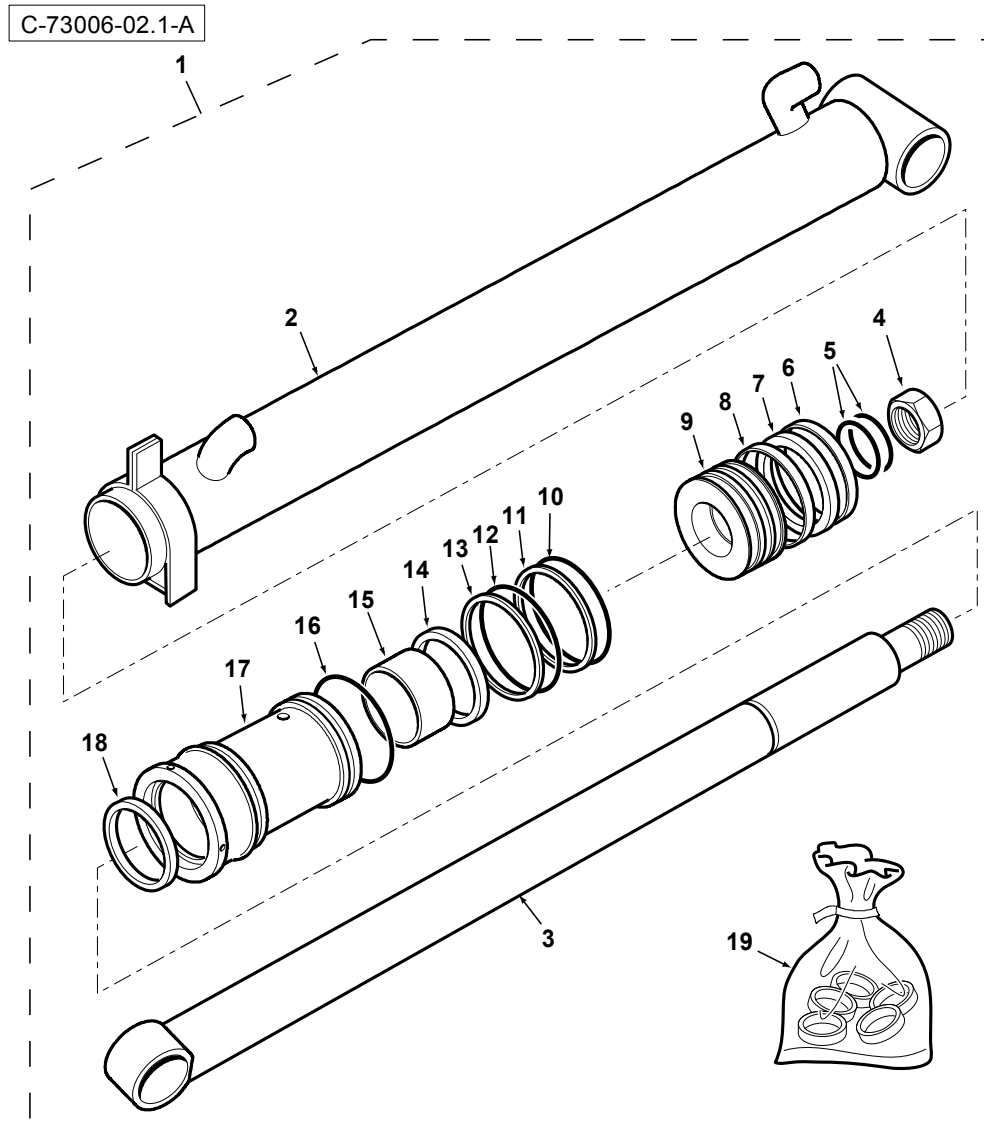


C-73006-01.1-B



Item	Part No.	Qty.	English	French	German	Spanish	Remarks
55	3501289M1	2	Bolt M10-110 Z5s	Boulon	Sechskantschraube	Tornillo	
56	1440329X1	2	Nut, Hex. - Nyloc, M10	Ecrou Blocage	Flachmutter M10	Tuerca De Retención	
57	3501027M1	2	Washer M44-65-5 R	Rondelle	Scheibe	Arandela	

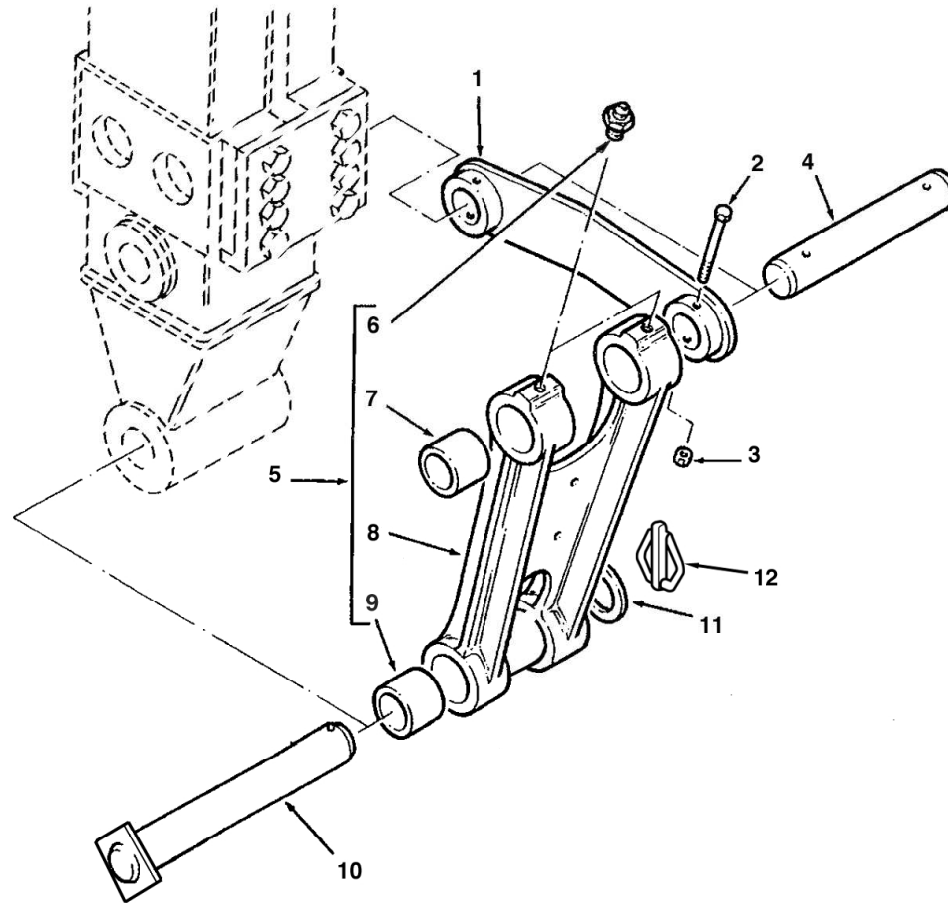




Item	Part No.	Qty.	English	French	German	Spanish	Remarks
1	5000127M91	1	Cylinder Extendable Dipper	L´Hie Hydraulique	Zylinder Hydr.	Gato, Conj.	73006c01.1 28
2	5003920M91	1	Barrel Assy	Barrel Assy	Barrel Assy	Barrel Assy	
3	5005266M91	1	Piston Rod Assy	Tige De Vérin	Kolbenstange	Pistón De Gato	
4	1607689M1	1	Lock Nut	Ecrou	Kontermutter	Tuerca De Retención	
5	1748324M1	2	O Ring	Joint Torique	O Ring	Junta De Tipo O	
6	3487078M1	1	Ring - Piston Guide	Anneau	Ring	Aro	
7	3443573M2	1	Seal Piston	Joint	Dichtung	Junta	
8	3487078M1	1	Ring - Piston Guide	Anneau	Ring	Aro	
9	5003929M1	1	Piston	Piston	Kolben	Pistón	
10	1442891X1	1	O-Ring	Joint Torique	O-Ring	Junta De Tipo O	
11	5001306M1	1	Ring, Back-Up	Contre Bague	Stützring	ContraJunta	
12	1441120X1	1	O-Ring	Joint Torique	O-Ring	Junta De Tipo O	
13	1881527M1	1	Ring Backup	Anneau	Ring	Aro	
14	3485976M1	1	Seal-40*55*10	Joint D´Arbre	Wellendichtring	Junta	
15	5001605M1	1	Bearing	Roulement	Lager	Cojinete	
16	3487585M1	1	O Ring	Joint Torique	O Ring	Junta De Tipo O	
17	5004084M91	1	Bearing Assy	Roulement	Radiallager	Cojinete	
18	1605446M1	1	Wiper Ring-40*50*7*10	Racleur	Wischer	Raspador, Escobilla	
19	5005362M91	0	Kit, Seal - Ext. Dipper Cylinder	Jeu Étanchéité	Dichtringsatz	Juego De Juntas	

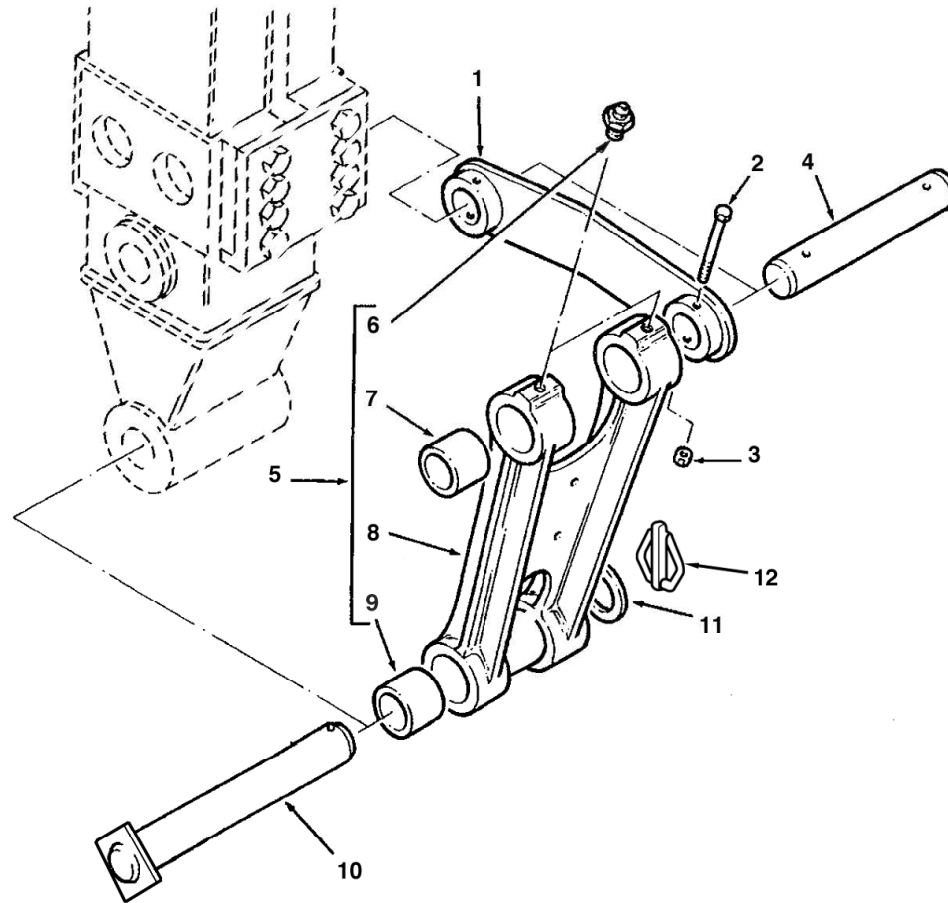


C-74001-01.1-A



Item	Part No.	Qty.	English	French	German	Spanish	Remarks
1	3500023M91	2	Link Pivot Dgr	Maillon Ass.	Gelenkstange Kplt	Eslabón, Conj.	
2	1441106X1	4	Bolt M10 X 100 - Zinc (Iso 10.9)	Boulon	Bolzen	Tornillo	
3	1440329X1	4	Nut, Hex. - Nyloc, M10	Ecrou Blocage	Flachmutter M10	Tuerca De Retención	
4	3522696M2	2	Pin 307 Dgr Links	Goupille	Bolzen	Pasador	
5	3522442M92	1	H Link Assy	Ensemble De Maillon	Gelenkstange Kpl.	Eslabón, Conj.	
6	339608X1	3	Grease Nipple - M10 X 1 (Zinc)	Nipple De Graissage	Schmiernippel	Engrasador	
7	3500009M3	2	Bush, Boom/Dipper Mounting	Douille	Buechse	Anillo	
8	#LINK	1	Link	Link	Link	Link	Ref. 5
9	3500009M3	2	Bush, Boom/Dipper Mounting	Douille	Buechse	Anillo	
10	3516519M94	2	Pin & Plate 45-322,5	Axe	Bolzen	Pasador	
11	3501790M1	2	Washer M46-65-5 Z	Rondelle	Scheibe	Arandela	
12	3516522M91	2	Pin Safety Linch	Goupille D'Arrêt	Klappstecker	Pasador De Parada	

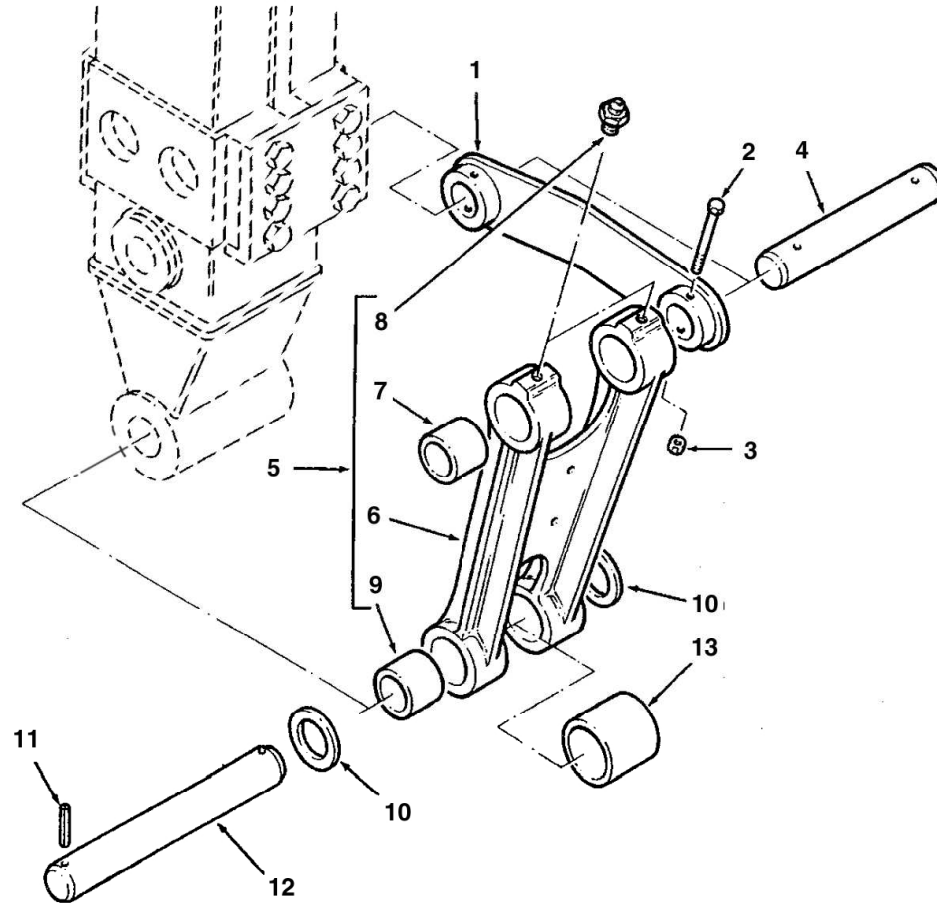
C-74001-01.1-A



Item	Part No.	Qty.	English	French	German	Spanish	Remarks
1	3500023M91	2	Link Pivot Dgr	Maillon Ass.	Gelenkstange Kplt	Eslabón, Conj.	
2	1441106X1	4	Bolt M10 X 100 - Zinc (Iso 10.9)	Boulon	Bolzen	Tornillo	
3	1440329X1	4	Nut, Hex. - Nyloc, M10	Ecrou Blocage	Flachmutter M10	Tuerca De Retención	
4	3522696M2	2	Pin 307 Dgr Links	Goupille	Bolzen	Pasador	
5	3522442M92	1	H Link Assy	Ensemble De Maillon	Gelenkstange Kpl.	Eslabón, Conj.	
6	339608X1	3	Grease Nipple - M10 X 1 (Zinc)	Nipple De Graissage	Schmiernippel	Engrasador	
7	3500009M3	2	Bush, Boom/Dipper Mounting	Douille	Buechse	Anillo	
8	#LINK	1	Link	Link	Link	Link	Ref. 5
9	3500009M3	2	Bush, Boom/Dipper Mounting	Douille	Buechse	Anillo	
10	3516519M94	2	Pin & Plate 45-322,5	Axe	Bolzen	Pasador	
11	3501790M1	2	Washer M46-65-5 Z	Rondelle	Scheibe	Arandela	
12	3516522M91	2	Pin Safety Linch	Goupille D'Arrêt	Klappstecker	Pasador De Parada	



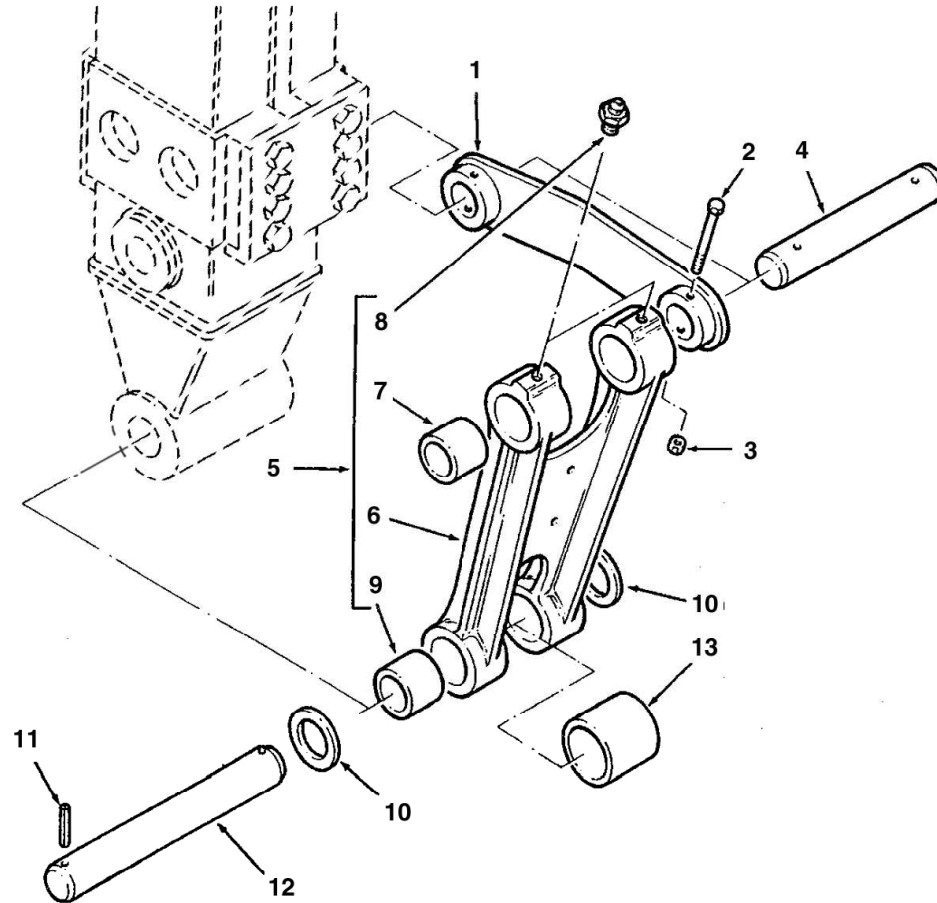
C-74002-01.1-A



Item	Part No.	Qty.	English	French	German	Spanish	Remarks
1	3500023M91	2	Link Pivot Dgr	Maillon Ass.	Gelenkstange Kplt	Eslabón, Conj.	
2	1441106X1	4	Bolt M10 X 100 - Zinc (Iso 10.9)	Boulon	Bolzen	Tornillo	
3	1440329X1	4	Nut, Hex. - Nyloc, M10	Ecrou Blocage	Flachmutter M10	Tuerca De Retención	
4	3522696M2	2	Pin 307 Dgr Links	Goupille	Bolzen	Pasador	
5	3508449M92	1	Link H Bucket	Maillon	Gelenkstange	Eslabón, Conj.	
6	#LINK	1	Link	Link	Link	Link	Ref.5
7	3500009M3	2	Bush, Boom/Dipper Mounting	Douille	Buechse	Anillo	
8	339608X1	4	Grease Nipple - M10 X 1 (Zinc)	Nipple De Graissage	Schmiernippel	Engrasador	
9	6106532M1	2	Bush-Dipper	Douille	Büchse	Anillo	
10	3501790M1	4	Washer M46-65-5 Z	Rondelle	Scheibe	Arandela	
11	375096X1	4	Pin Cotter 10-76	Goupille D´Arrêt	Klappstecker	Pasador De Parada	
12	6106549M1	2	Pin - Bucket Link	Axe	Bolzen	Pasador	
13	3508456M1	1	Spacer	Entretoise	Distanzstück	Traviesa	



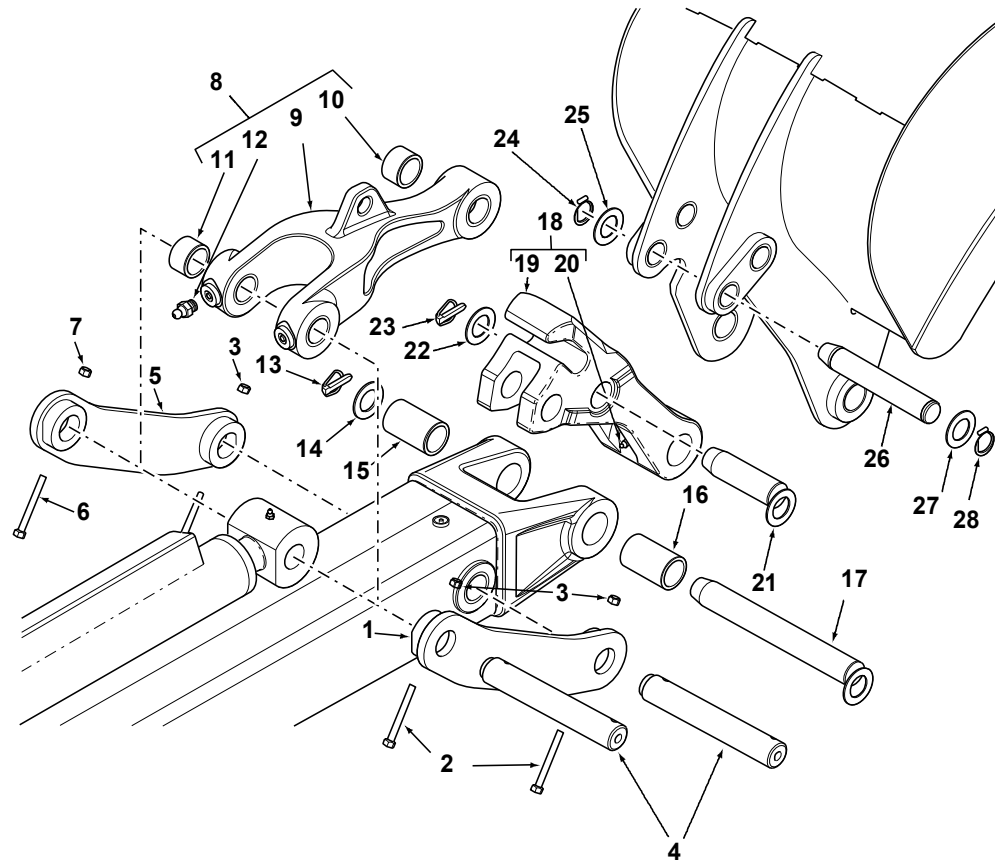
C-74002-01.1-A



Item	Part No.	Qty.	English	French	German	Spanish	Remarks
1	3500023M91	2	Link Pivot Dgr	Maillon Ass.	Gelenkstange Kplt	Eslabón, Conj.	
2	1441106X1	4	Bolt M10 X 100 - Zinc (Iso 10.9)	Boulon	Bolzen	Tornillo	
3	1440329X1	4	Nut, Hex. - Nyloc, M10	Ecrou Blocage	Flachmutter M10	Tuerca De Retención	
4	3522696M2	2	Pin 307 Dgr Links	Goupille	Bolzen	Pasador	
5	3508449M92	1	Link H Bucket	Maillon	Gelenkstange	Eslabón, Conj.	
6	#LINK	1	Link	Link	Link	Link	Ref.5
7	3500009M3	2	Bush, Boom/Dipper Mounting	Douille	Buechse	Anillo	
8	339608X1	4	Grease Nipple - M10 X 1 (Zinc)	Nipple De Graissage	Schmiernippel	Engrasador	
9	6106532M1	2	Bush-Dipper	Douille	Büchse	Anillo	
10	3501790M1	4	Washer M46-65-5 Z	Rondelle	Scheibe	Arandela	
11	375096X1	4	Pin Cotter 10-76	Goupille D´Arrêt	Klappstecker	Pasador De Parada	
12	6106549M1	2	Pin - Bucket Link	Axe	Bolzen	Pasador	
13	3508456M1	1	Spacer	Entretoise	Distanzstück	Traviesa	



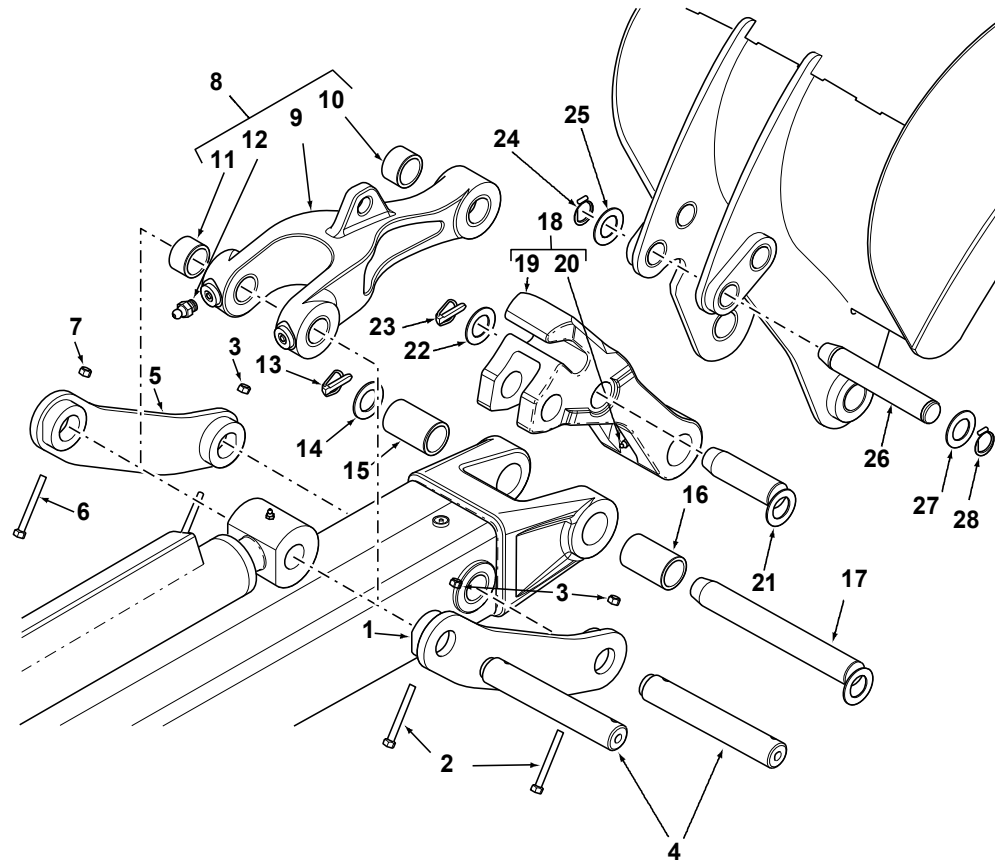
C-74003-01.1-A



Item	Part No.	Qty.	English	French	German	Spanish	Remarks
1	6100171M91W01	1	Link-"Case" Digger Bucket (Terex White)	Maillon	Glied	Eslabón, Conj.	
1	6100171M91Y02	1	Link-Case Digger Bucket (Benford Yellow)	Ensemble De Maillon	Gelenkstange Kpl.	Eslabón, Conj.	
2	1441106X1	2	Bolt M10 X 100 - Zinc (Iso 10.9)	Boulon	Bolzen	Tornillo	
3	1440329X1	2	Nut, Hex. - Nyloc, M10	Ecrou Blocage	Flachmutter M10	Tuerca De Retención	
4	3522696M2	2	Pin 307 Dgr Links	Goupille	Bolzen	Pasador	
5	6100171M91W01	1	Link-"Case" Digger Bucket (Terex White)	Maillon	Glied	Eslabón, Conj.	
5	6100171M91Y02	1	Link-Case Digger Bucket (Benford Yellow)	Ensemble De Maillon	Gelenkstange Kpl.	Eslabón, Conj.	
6	1441106X1	2	Bolt M10 X 100 - Zinc (Iso 10.9)	Boulon	Bolzen	Tornillo	
7	1440329X1	2	Nut, Hex. - Nyloc, M10	Ecrou Blocage	Flachmutter M10	Tuerca De Retención	
8	6100167M92	1	Link Assy. - Case Buckets	Ensemble De Maillon	Gelenkstange Kpl.	Eslabón, Conj.	
9	#LINK	1	Link	Link	Link	Link	Ref. 8
10	D127172	1	Bush - Case Bucket Linkage	Douille	Büchse	Anillo	
11	3500009M3	2	Bush, Boom/Dipper Mounting	Douille	Buechse	Anillo	
12	339608X1	3	Grease Nipple - M10 X 1 (Zinc)	Nipple De Graissage	Schmiernippel	Engrasador	
13	392181R1	1	Linch Pin & Ring - Case Bucket Linkage	Goupille D´Arrêt	Klappstecker	Pasador De Parada	
14	3501790M1	1	Washer M46-65-5 Z	Rondelle	Scheibe	Arandela	
15	D127168	1	Bushing - Case Bucket Linkage	Bague	Büchse	Anillo	
16	D127168	1	Bushing - Case Bucket Linkage	Bague	Büchse	Anillo	
17	D140655	1	Pin Assy. - 44mm X 349mm, Case Bkt. Link	Goupille Ass	Bolzen Kplt	Pasador, Conj.	
18	6101312M91	1	Coupler Assy - Case Digger Buckets	Maillon De Raccord	Verschlussglied	Eslabón De Conexión	
19	#LINK	1	Link	Link	Link	Link	Ref. 18
20	219-1	1	Grease Fitting - Case Bucket Linkage	Graisse Mtge	Anschlverschrbg	Engrasador	
21	D140653	1	Pin Assy. - 44mm X 152mm, Case Bkt. Link	Goupille Ass.	Bolzen Kplt	Pasador, Conj.	
22	3501790M1	1	Washer M46-65-5 Z	Rondelle	Scheibe	Arandela	
23	392181R1	1	Linch Pin & Ring - Case Bucket Linkage	Goupille D´Arrêt	Klappstecker	Pasador De Parada	
24	D25279	1	Circlip- Case Digger Bucket Linkage	Code Accessoire	Zubehör Code	Código Accesorio	
25	D143324	1	Washer - Case Digger Bucket Linkage	Rondelle	Scheibe	Arandela	
26	D37614	1	Pin, 1.5" X 9.68" - Case Digger Link	Goupille	Bolzen	Pasador	
27	D143324	2	Washer - Case Digger Bucket Linkage	Rondelle	Scheibe	Arandela	
28	D25279	2	Circlip- Case Digger Bucket Linkage	Code Accessoire	Zubehör Code	Código Accesorio	



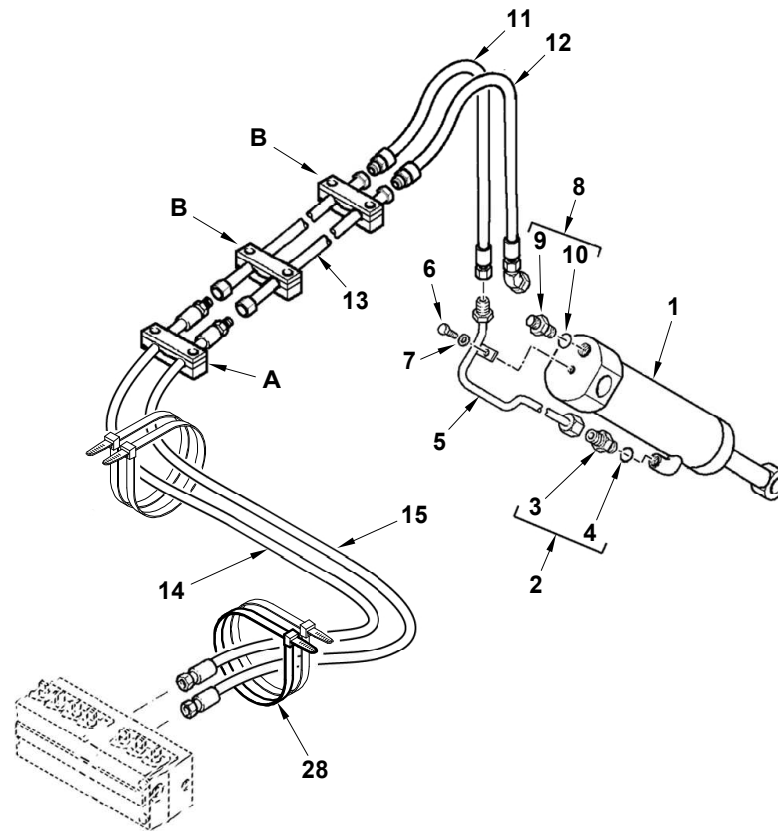
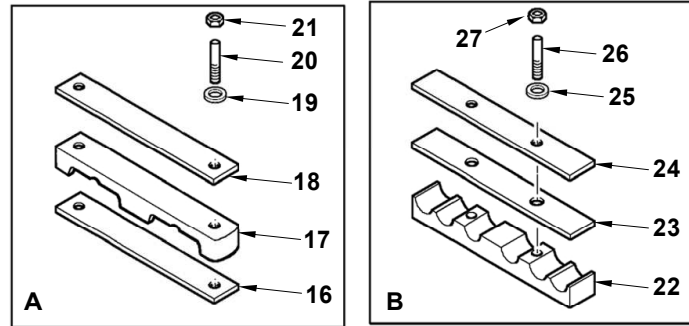
C-74003-01.1-A



Item	Part No.	Qty.	English	French	German	Spanish	Remarks
1	6100171M91W01	1	Link-"Case" Digger Bucket (Terex White)	Maillon	Glied	Eslabón, Conj.	
1	6100171M91Y02	1	Link-Case Digger Bucket (Benford Yellow)	Ensemble De Maillon	Gelenkstange Kpl.	Eslabón, Conj.	
2	1441106X1	2	Bolt M10 X 100 - Zinc (Iso 10.9)	Boulon	Bolzen	Tornillo	
3	1440329X1	2	Nut, Hex. - Nyloc, M10	Ecrou Blocage	Flachmutter M10	Tuerca De Retención	
4	3522696M2	2	Pin 307 Dgr Links	Goupille	Bolzen	Pasador	
5	6100171M91W01	1	Link-"Case" Digger Bucket (Terex White)	Maillon	Glied	Eslabón, Conj.	
5	6100171M91Y02	1	Link-Case Digger Bucket (Benford Yellow)	Ensemble De Maillon	Gelenkstange Kpl.	Eslabón, Conj.	
6	1441106X1	2	Bolt M10 X 100 - Zinc (Iso 10.9)	Boulon	Bolzen	Tornillo	
7	1440329X1	2	Nut, Hex. - Nyloc, M10	Ecrou Blocage	Flachmutter M10	Tuerca De Retención	
8	6100167M92	1	Link Assy. - Case Buckets	Ensemble De Maillon	Gelenkstange Kpl.	Eslabón, Conj.	
9	#LINK	1	Link	Link	Link	Link	Ref. 8
10	D127172	1	Bush - Case Bucket Linkage	Douille	Büchse	Anillo	
11	3500009M3	2	Bush, Boom/Dipper Mounting	Douille	Buechse	Anillo	
12	339608X1	3	Grease Nipple - M10 X 1 (Zinc)	Nipple De Graissage	Schmiernippel	Engrasador	
13	392181R1	1	Linch Pin & Ring - Case Bucket Linkage	Goupille D´Arrêt	Klappstecker	Pasador De Parada	
14	3501790M1	1	Washer M46-65-5 Z	Rondelle	Scheibe	Arandela	
15	D127168	1	Bushing - Case Bucket Linkage	Bague	Büchse	Anillo	
16	D127168	1	Bushing - Case Bucket Linkage	Bague	Büchse	Anillo	
17	D140655	1	Pin Assy. - 44mm X 349mm, Case Bkt. Link	Goupille Ass	Bolzen Kplt	Pasador, Conj.	
18	6101312M91	1	Coupler Assy - Case Digger Buckets	Maillon De Raccord	Verschlussglied	Eslabón De Conexión	
19	#LINK	1	Link	Link	Link	Link	Ref. 18
20	219-1	1	Grease Fitting - Case Bucket Linkage	Graisse Mtge	Anschlverschrbg	Engrasador	
21	D140653	1	Pin Assy. - 44mm X 152mm, Case Bkt. Link	Goupille Ass.	Bolzen Kplt	Pasador, Conj.	
22	3501790M1	1	Washer M46-65-5 Z	Rondelle	Scheibe	Arandela	
23	392181R1	1	Linch Pin & Ring - Case Bucket Linkage	Goupille D´Arrêt	Klappstecker	Pasador De Parada	
24	D25279	1	Circlip- Case Digger Bucket Linkage	Code Accessoire	Zubehör Code	Código Accesorio	
25	D143324	1	Washer - Case Digger Bucket Linkage	Rondelle	Scheibe	Arandela	
26	D37614	1	Pin, 1.5" X 9.68" - Case Digger Link	Goupille	Bolzen	Pasador	
27	D143324	2	Washer - Case Digger Bucket Linkage	Rondelle	Scheibe	Arandela	
28	D25279	2	Circlip- Case Digger Bucket Linkage	Code Accessoire	Zubehör Code	Código Accesorio	



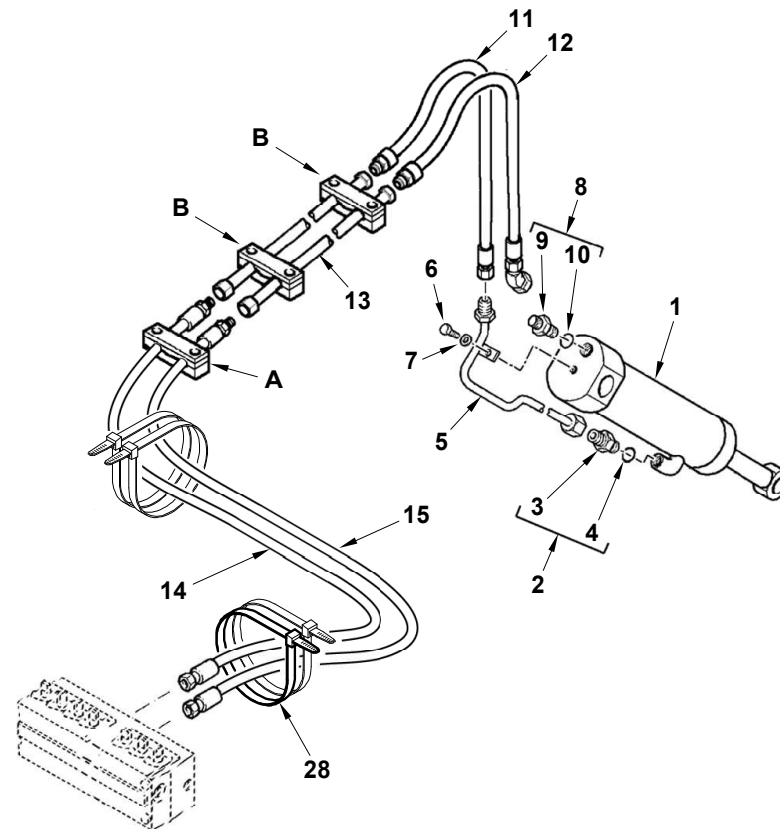
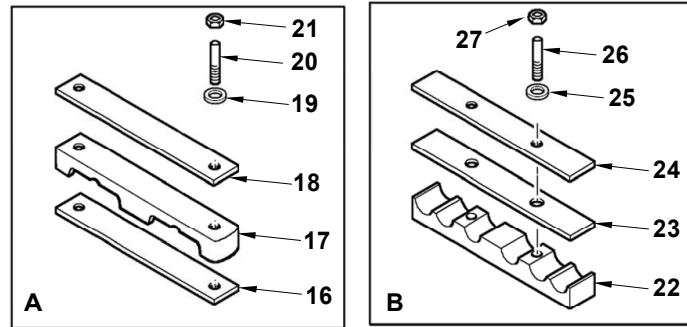
C-76032-01.1-B



Item	Part No.	Qty.	English	French	German	Spanish	Remarks
1	#CYLINDER ASSY	1	Cylinder Assy	Cylinder Assy	Cylinder Assy	Cylinder Assy	[76032c02.1 1] [76032c02.2 1]
2	835013M91	1	Connector 7/8 Jic	Raccord	Schraubanschluss	Conexión, Conj.	
3	#UNION	1	Union	Union	Union	Union	Ref. 2
4	835024M1	1	Ring O - Boa	Joint Torique	O Ring	Junta De Tipo O	
5	6111161M91	1	Tube Assembly - Digger Bucket Cylinder	Tuyauterie	Rohrleitung Kplt	Conjunto De Tubería	Tba Wipro
5	6101540M91	1	Tube Assy Bucket	Tuyauterie	Rohrleitung Kplt	Conjunto De Tubería	Tba Pacoma
6	339123X1	1	Bolt M8-20 Z5f	Boulon M8 X 20	Maschschraube M8	Perno	
7	385361X1	1	Washer M8 Hardened	Rondelle M8	Scheibe M8	Arandela	
8	835013M91	1	Connector 7/8 Jic	Raccord	Schraubanschluss	Conexión, Conj.	
9	#UNION	1	Union	Union	Union	Union	Ref. 8
10	835024M1	1	Ring O - Boa	Joint Torique	O Ring	Junta De Tipo O	
11	6102309M91	1	Hose-Bucket Rod-Std	Flexible Ass.	Schlauch Kplt	Flexible, Conj.	Brown
12	6107024M91	1	Hose-Bucket HD Std	Flexible Ass.	Schlauch Kplt	Flexible, Conj.	White
13	6111137M91	2	Tube Assy - Bkt 4.5m Boom	Ensemble Tube	Rohr Kpl	Conjunto De Tubería	Ec05/328
13	6101771M91	2	Tube-Bucket-4.5m Boom	Tuyauterie	Rohrleitung Kplt	Conjunto De Tubería	Ec05/328
14	6108762M91	1	Hose-Ss Bucket Rod	Flexible Ass.	Schlauch Kplt	Flexible, Conj.	Brown Ec05/328
14	6111141M91	1	Hose Assy - Bucket Rod (Brown S/Shift)	Ensemble Durit	Schlauch Kpl	Flexible, Conj.	Brown Ec05/328
15	6108763M91	1	Hose-Ss Bucket HD	Flexible Ass.	Schlauch Kplt	Flexible, Conj.	White Ec05/328
15	6111142M91	1	Hose Assy - Bucket HD (White S/Shift)	Ensemble Durit	Schlauch Kpl	Flexible, Conj.	White Ec05/328
16	6102128M1	1	Pad-Neoprene	Plaque Antidérapante	Zwischenlage	Cinta Antideslizante	
17	6102122M1	1	Clamp	Collier De Serrage	Klemme	Brida De Fijación	
18	6102130M1	1	Plate-Clamp	Plaque	Platte	Placa	
19	390972X1	2	Washer M8-17-1 Zwl	Rondelle M8	Scheibe - M8	Arandela	
20	3516075M1	2	Stud M8-65 Z5	Goujon	Stehbolzen	Espárrago	
21	394367X1	2	Nut, Hex. - Nyloc, M8	Ecrou Blocage M8	Flachmutter - M8	Tuerca De Retención	
22	6102126M1	2	Clamp	Collier De Serrage	Klemme	Brida De Fijación	
23	6102145M1	2	Pad-Neoprene	Plaque Antidérapante	Zwischenlage	Cinta Antideslizante	
24	6102124M1	2	Plate-Top	Plaque	Platte	Placa	
25	390972X1	4	Washer M8-17-1 Zwl	Rondelle M8	Scheibe - M8	Arandela	
26	6108049M1	4	Stud M8	Goujon	Stehbolzen	Espárrago	

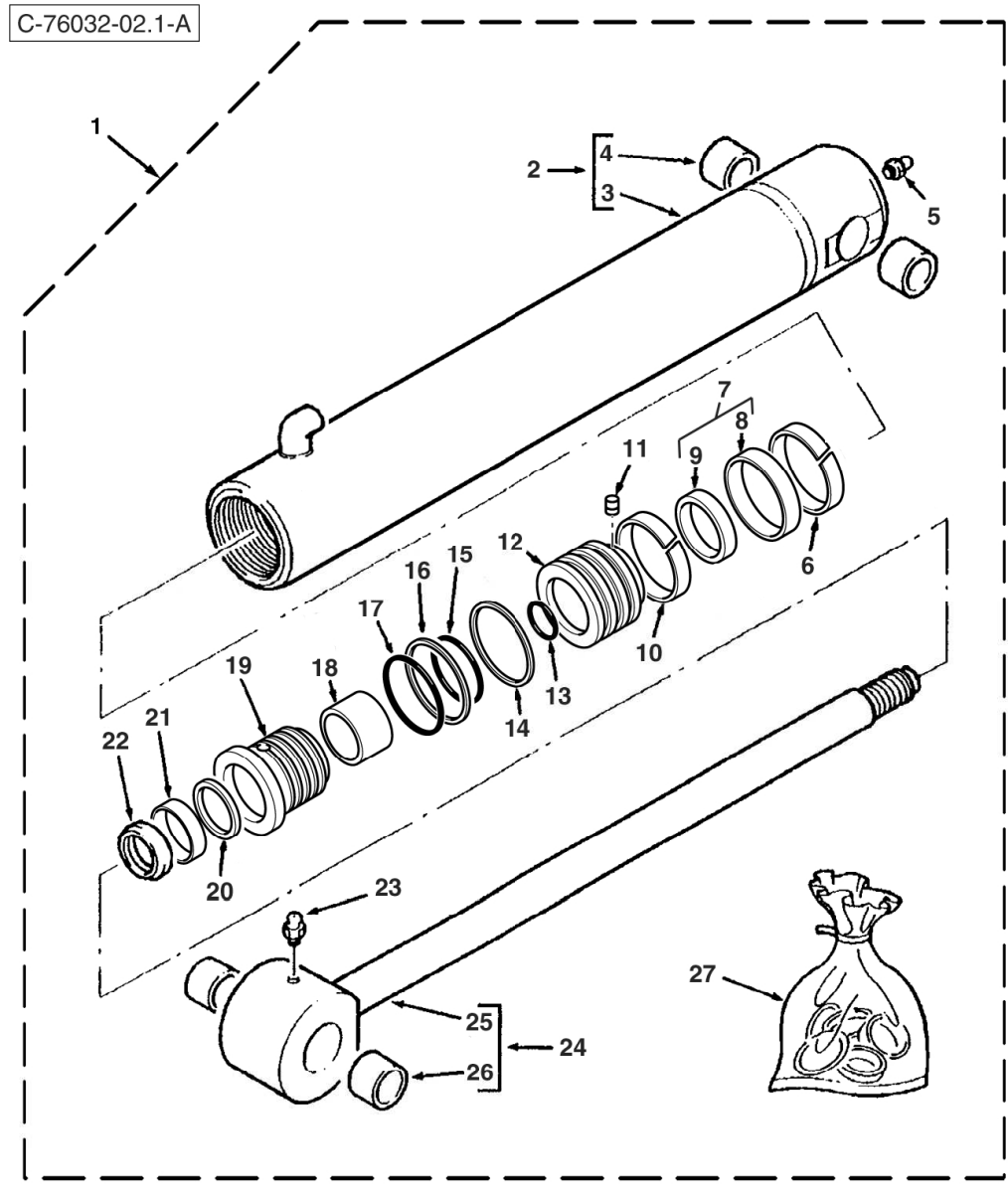


C-76032-01.1-B



Item	Part No.	Qty.	English	French	German	Spanish	Remarks
27	394367X1	4	Nut, Hex. - Nyloc, M8	Ecrou Blocage M8	Flachmutter - M8	Tuerca De Retención	
28	8000-1379	4	Tie Wrap (530 X 13mm)	Bride	Buegel	Banda	

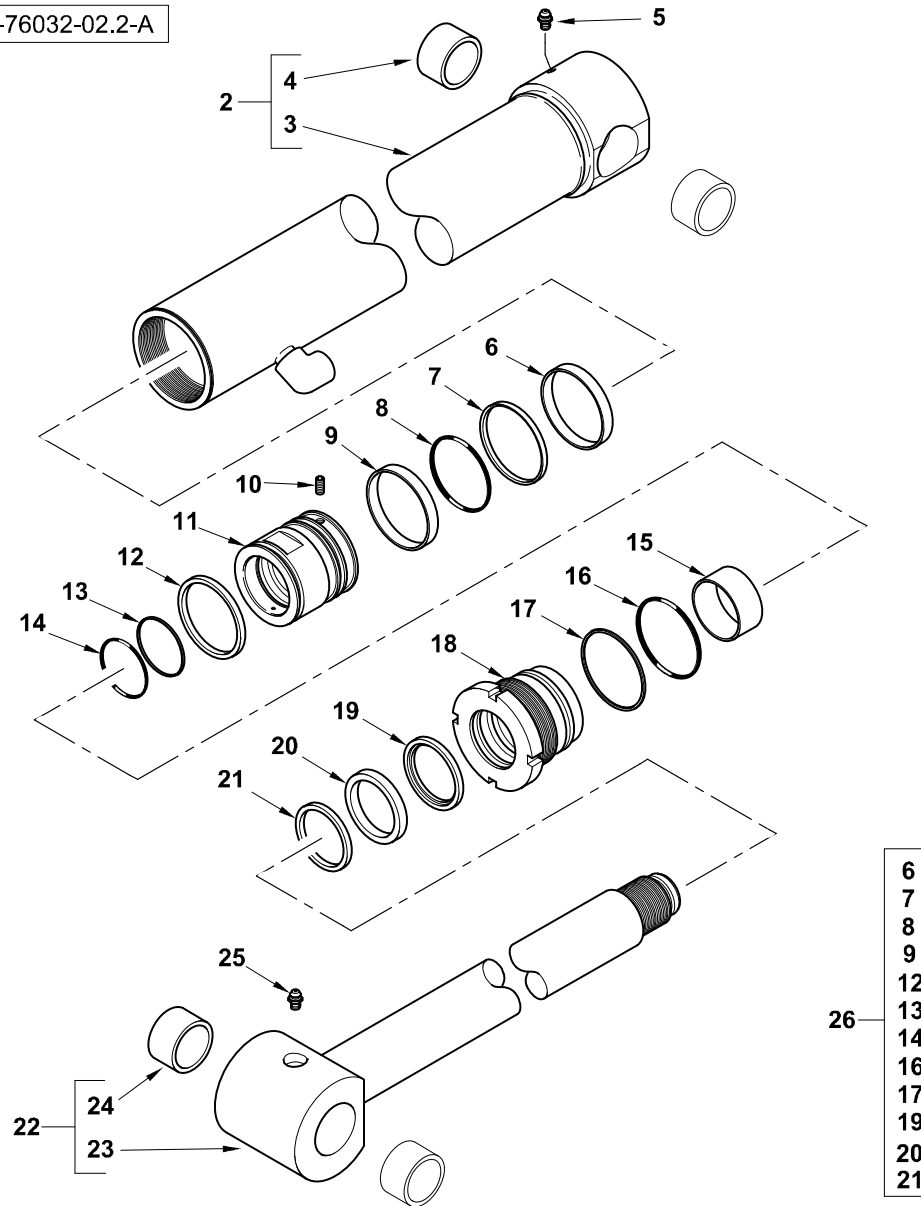




Item	Part No.	Qty.	English	French	German	Spanish	Remarks
1	5000126M91GY02	1	Cylinder Digger Bucket (Benford Grey)	L´Hie Hydraulique	Zylinder Hydr.	Gato, Conj.	Tba [76032c01.1 1]
2	5004008M91	1	Barrel Assy	Cylindre	Zylinder	Cilindro	
3	#TUBE, CYLINDER	1	Tube, Cylinder	Tube, Cylinder	Tube, Cylinder	Tube, Cylinder	Ref. 2
4	#BUSHING	1	Bushing	Douille	Busche	Boccola	
5	339608X1	1	Grease Nipple - M10 X 1 (Zinc)	Nipple De Graissage	Schmiernippel	Engrasador	
6	3485892M1	1	Guide Ring Piston	Bague D´Étanchéité	Dichtungsring	Anillo, Estanqueidad	
7	3485245M91	1	Seal Assy Piston	Joint Ass.	Dichtung Kplt	Junta, Conj.	
8	#SEAL	1	Seal	Joint Étanchéité	Dichtring	Retén	Ref. 7
9	#RING	1	Ring	Anneau	Ring	Aro	Ref. 7
10	3485892M1	1	Guide Ring Piston	Bague D´Étanchéité	Dichtungsring	Anillo, Estanqueidad	
11	3402928M1	1	Screw, Socket Head - Piston Locating	Vis Tête Hex	Zylinderschraube	Tornillo	
12	3623372M1	1	Piston	Piston	Kolben	Pistón	
13	359186X1	1	O-Ring	Joint Torique	O-Ring	Junta De Tipo O	
14	3623061M1	1	Ring Piston	Segment De Piston	Kolbenring	Segmento De Pistón	
15	359193X1	1	O-Ring	Joint Torique	O-Ring	Junta De Tipo O	
16	1606735M1	1	Ring Back-Up	Contre Bague	Stützring	ContraJunta	
17	3487207M1	1	O-Ring	Joint Torique	O-Ring	Junta De Tipo O	
18	3484615M1	1	Guide Ring	Anneau	Ring	Aro	
19	3623371M1	1	Gland - Bucket Cylinder	Presse Étoupe	Stopfbuchse	Cojinete	
20	3484055M1	1	Ring Buffer	Anneau	Ring	Aro	
21	3485185M1	1	Seal	Joint D´Arbre	Wellendichtring	Junta	
22	3487015M1	1	Wiper Ring	Anneau	Ring	Aro	
23	339608X1	1	Grease Nipple - M10 X 1 (Zinc)	Nipple De Graissage	Schmiernippel	Engrasador	
24	5004012M91	1	Piston Rod Assy - Nla	Tige De Vérin	Kolbenstange	Vástago Cilindro	
25	#ROD, PISTON	1	Rod, Piston	Rod, Piston	Rod, Piston	Rod, Piston	Ref. 24
26	#BUSHING	1	Bushing	Douille	Busche	Boccola	
27	3623373M91	1	Kit Seal	Jeu Etancheite	Dichtringsatz	Juego De Juntas	

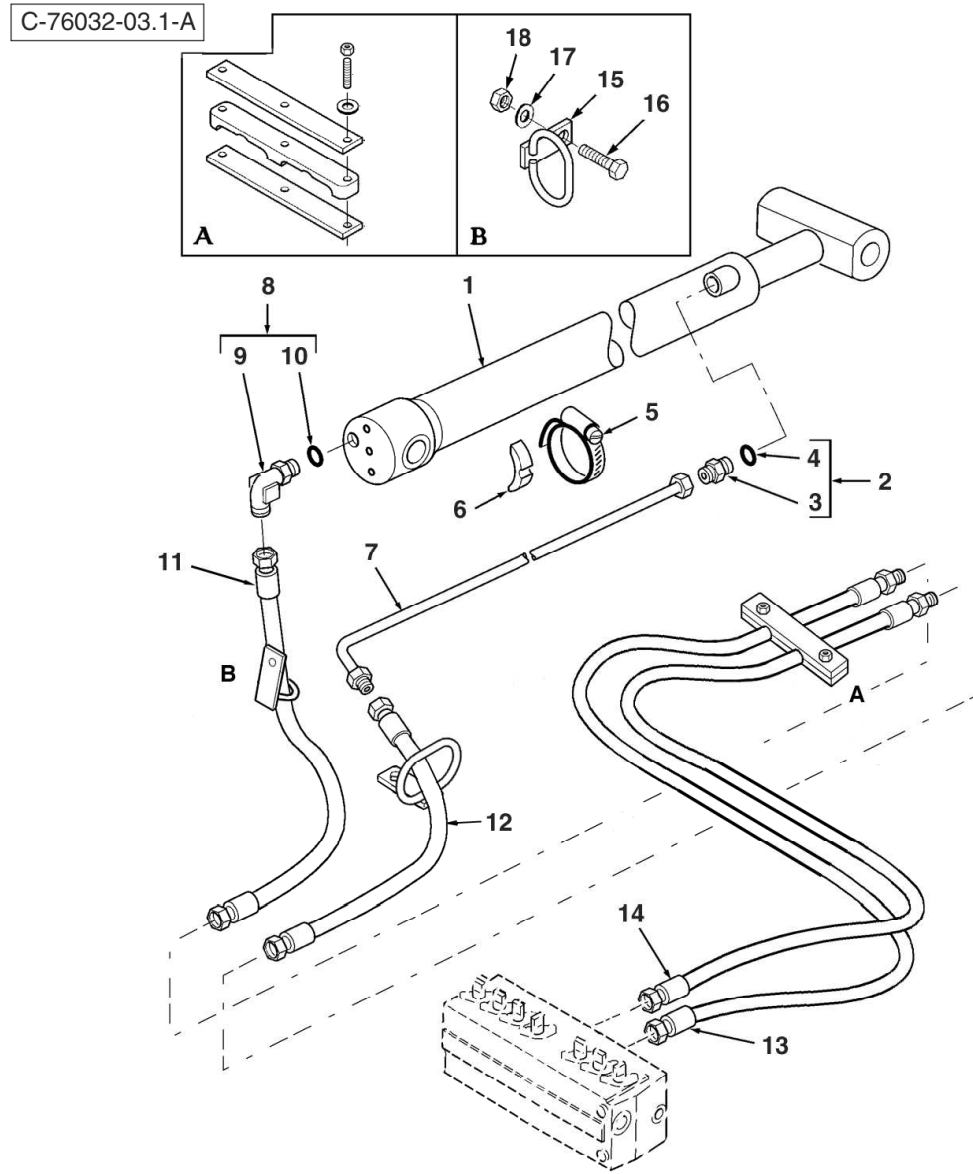


C-76032-02.2-A



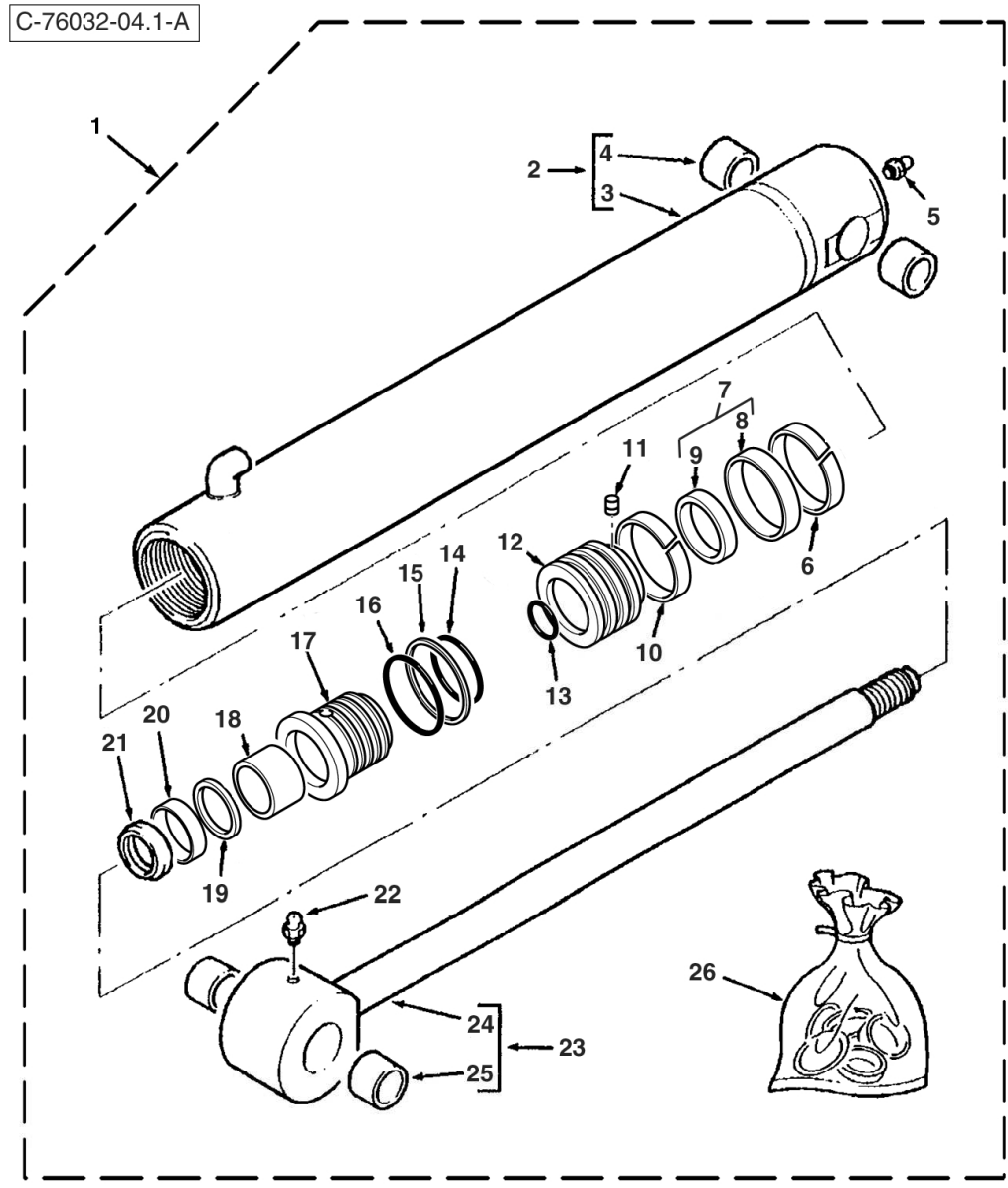
Item	Part No.	Qty.	English	French	German	Spanish	Remarks
1	6111070M91GY03	1	Cylinder- Digger Bucket	Cylindre	Zylinder	Gato, Conj.	Tba [76032c01.1 1]
2	6194629M91	1	Barrel - Cylinder	Corps Cylindre	Zylindergehäuse	Tubo	
3	#TUBE	1	Tube	Tube	Tube	Tube	Ref. 2
4	6194562M1	2	Bush	Douille	Büchse	Casquillo	
5	6194542M1	1	Nipple - Grease	Graisseur Coude	Nippel	Manguito, Engrasador	
6	6194634M1	1	Bearing - Piston	Coussinet	Lager	Teniendo - Pistón	
7	6194635M1	1	Seal - Piston	Joint Étanchéité	Dichtring	Junta	
8	6194636M1	1	O Ring (Std)	Joint Torique	O Ring	Junta De Tipo O	
9	6194634M1	1	Bearing - Piston	Coussinet	Lager	Teniendo - Pistón	
10	6194633M1	1	Set Screw - Hex Socket	Vis Tete Hex	Zylinderschraube	Tornillo De Ajuste	
11	6194631M1	1	Piston	Piston	Kolben	Pistón	
12	6194637M1	1	Ring - Piston	Segment Piston	Kolbenring	Segmento De Pistón	
13	6194625M1	1	Ring - Back Up	Contre Bague	Stutzring	ContraJunta	
14	6194624M1	1	O Ring (Std)	Joint Torique	O Ring	Junta De Tipo O	
15	6194541M1	1	Bush - Bimetal	Douille	Büchse	Juego De Anillos	
16	6194640M1	1	O Ring (Std)	Joint Torique	O Ring	Junta De Tipo O	
17	6194641M1	1	Ring - Back Up	Contre Bague	Stutzring	ContraJunta	
18	6194632M1	1	End Cover - Head	Couvercle	Deckel	Tapa	
19	6194638M1	1	Seal - Rod (Primary)	Joint Étanchéité	Dichtring	Junta	
20	6194639M1	1	Seal- Rod (Secondary)	Joint Étanchéité	Dichtring	Junta	
21	6194554M1	1	Wiper	Essuyeur	Wischer	Raspador, Escobilla	
22	6194630M91	1	Rod - Piston	Bielle De Piston	Pleuelstange	Rod - Pistón	
23	#ROD	1	Rod	Rod	Rod	Rod	Ref. 22
24	6194562M1	2	Bush	Douille	Büchse	Casquillo	
25	6194542M1	1	Nipple - Grease	Graisseur Coude	Nippel	Manguito, Engrasador	
26	6194642M91	0	Seal Kit	Jeu Etancheite	Dichtringsatz	Juego De Juntas	





Item	Part No.	Qty.	English	French	German	Spanish	Remarks
1	#CYLINDER ASSY	1	Cylinder Assy	Cylinder Assy	Cylinder Assy	Cylinder Assy	76032c04.1 1 76032c04.2 1
2	835013M91	1	Connector 7/8 Jic	Raccord	Schraubanschluss	Conexión, Conj.	
3	#UNION	1	Union	Union	Union	Union	Ref. 2
4	835024M1	1	Ring O - Boa	Joint Torique	O Ring	Junta De Tipo O	
5	3517733M1	1	Clamp Hose 130-150	Collier De Serrage	Schlauchbinder	Argolla De Cierre	
6	D142787	1	Saddle (See 142787d)	Selle	Sattel	Bloque De Caucho	
7	6111162M91	1	Tube Assembly - Dipper Cylinder	Tuyauterie	Rohrleitung Kplt	Conjunto De Tubería	Tba Wipro
7	6100976M92	1	Tube Assy. - Dipperstick Cylinder	Tuyauterie	Rohrleitung Kplt	Conjunto De Tubería	Tba Pacoma
8	6101624M91	1	Elbow 90deg-Long	Coude À 90°	Winkelstück	Codo, 90°	
9	#ELBOW	1	Elbow	Elbow	Elbow	Elbow	Ref. 8
10	835024M1	1	Ring O - Boa	Joint Torique	O Ring	Junta De Tipo O	
11	6101738M91	1	Hose-Dipper Head	Flexible Ass.	Schlauch Kplt	Flexible, Conj.	Yellow
12	6101737M91	1	Hose-Dipper Rod	Flexible Ass.	Schlauch Kplt	Flexible, Conj.	Red
13	6108767M91	1	Hose-Ss Dipper HD	Flexible Ass.	Schlauch Kplt	Flexible, Conj.	Yellow
14	6108766M91	1	Hose-Ss Dipper Rod	Flexible Ass.	Schlauch Kplt	Flexible, Conj.	Red
15	6101491M92	2	Hose Hoop Assy	Ensemble De Support	Haltevorrichtung Kpl.	Apoyadero, Conj.	
16	339761X1	2	Bolt M8-25 Z5f	Goupille	Bolzen M8 X 25	Tornillo	
17	390972X1	2	Washer M8-17-1 Zwel	Rondelle M8	Scheibe - M8	Arandela	
18	394367X1	2	Nut, Hex. - Nyloc, M8	Ecrou Blocage M8	Flachmutter - M8	Tuerca De Retención	

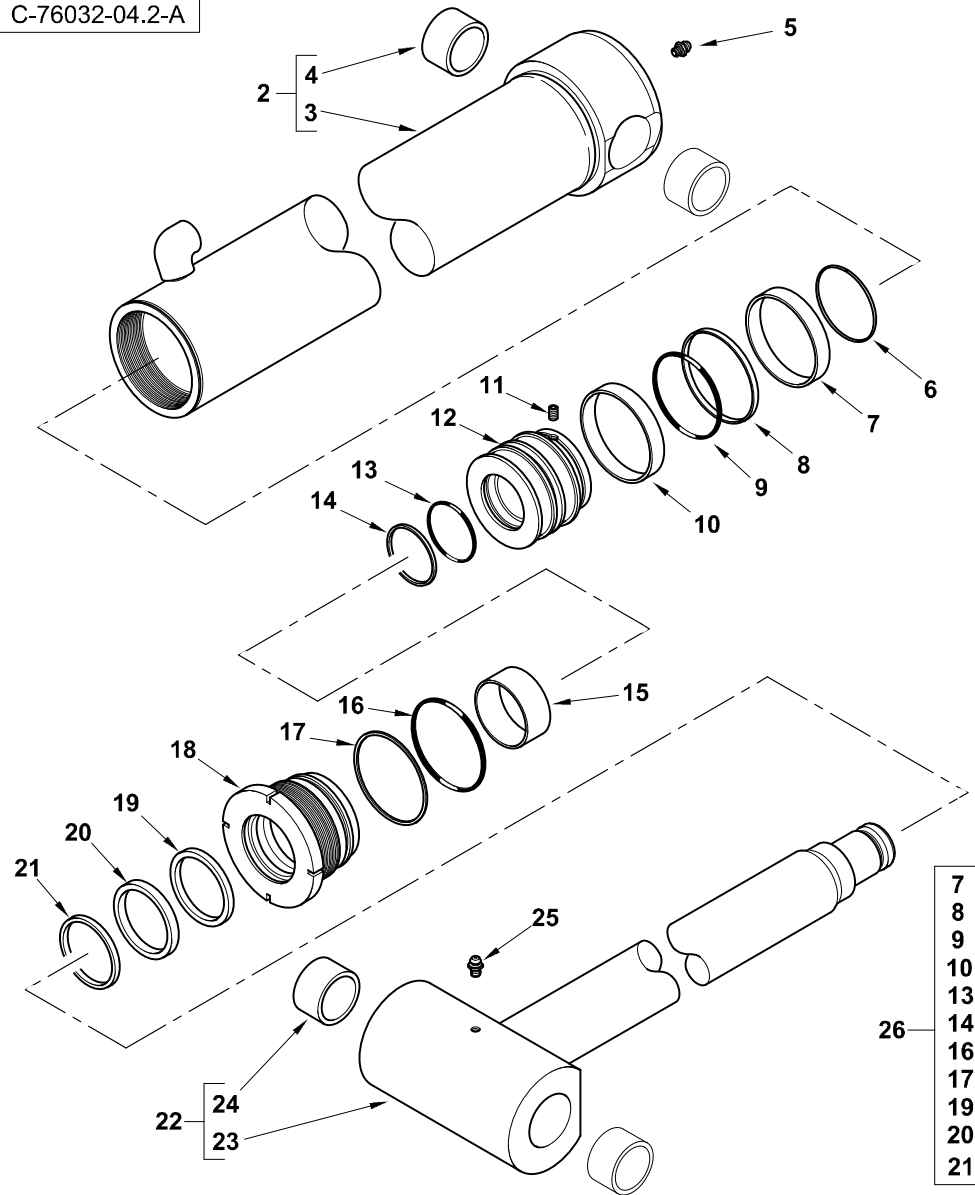




Item	Part No.	Qty.	English	French	German	Spanish	Remarks
1	5000124M91GY02	1	Cylinder Dipperstick (Benford Grey)	L´Hie Hydraulique	Zylinder Hydr.	Gato, Conj.	Tba [76032c03.1 1]
2	5003982M91	1	Barrel Assy. - Dipper Cylinder	Corps Cylindre	Zylindergehäuse	Cilindro	
3	#TUBE, CYLINDER	1	Tube, Cylinder	Tube, Cylinder	Tube, Cylinder	Tube, Cylinder	Ref. 2
4	3484843M1	1	Bush, Hydr. Cylinders	Douille	Buechse	Casquillo	
5	339608X1	1	Grease Nipple - M10 X 1 (Zinc)	Nipple De Graissage	Schmiernippel	Engrasador	
6	3485891M1	1	Guide Ring Piston	Anneau	Ring	Aro	
7	3485247M91	1	Seal Piston	Joint	Dichtung	Junta, Conj.	
8	#SEAL	1	Seal	Joint Étanchéité	Dichtring	Retén	Ref. 7
9	#RING	1	Ring	Anneau	Ring	Aro	Ref. 7
10	3485891M1	1	Guide Ring Piston	Anneau	Ring	Aro	
11	3402928M1	1	Screw, Socket Head - Piston Locating	Vis Tête Hex	Zylinderschraube	Tornillo	
12	5003989M1	1	Piston	Piston	Kolben	Pistón	
13	3007182X1	1	O-Ring	Joint Torique	O-Ring	Junta De Tipo O	
14	359196X1	1	O Ring	Joint Torique	O Ring	Junta De Tipo O	
15	378545X1	1	Ring - Backup	Contre Bague	Stutzring	Aro	
16	3487908M1	1	O Ring, Hydr. Cylinder	Joint Torique	O Ring	Junta De Tipo O	
17	5003988M1	1	Bearing Cylinder	Roulement	Lager	Cojinete	
18	3623193M1	1	Guide Ring	Anneau	Ring	Aro	
19	3443388M1	1	Ring - Back Up	Anneau	Ring	Aro	
20	3443472M1	1	Seal	Joint D´Arbre	Wellendichtring	Junta	
21	3403385M1	1	Wiper Ring	Joint De Racleur	Abstreifdichtung	Junta Raspador	
22	339608X1	1	Grease Nipple - M10 X 1 (Zinc)	Nipple De Graissage	Schmiernippel	Engrasador	
23	5003985M91	1	Piston Rod Assy	Tige De Vérin	Kolbenstange	Vástago Cilindro	
24	#ROD, PISTON	1	Rod, Piston	Rod, Piston	Rod, Piston	Rod, Piston	Ref. 23
25	3484843M1	1	Bush, Hydr. Cylinders	Douille	Buechse	Casquillo	
26	5004401M91	1	Kit Seal	Jeu Étanchéité	Dichtringsatz	Juego De Juntas	



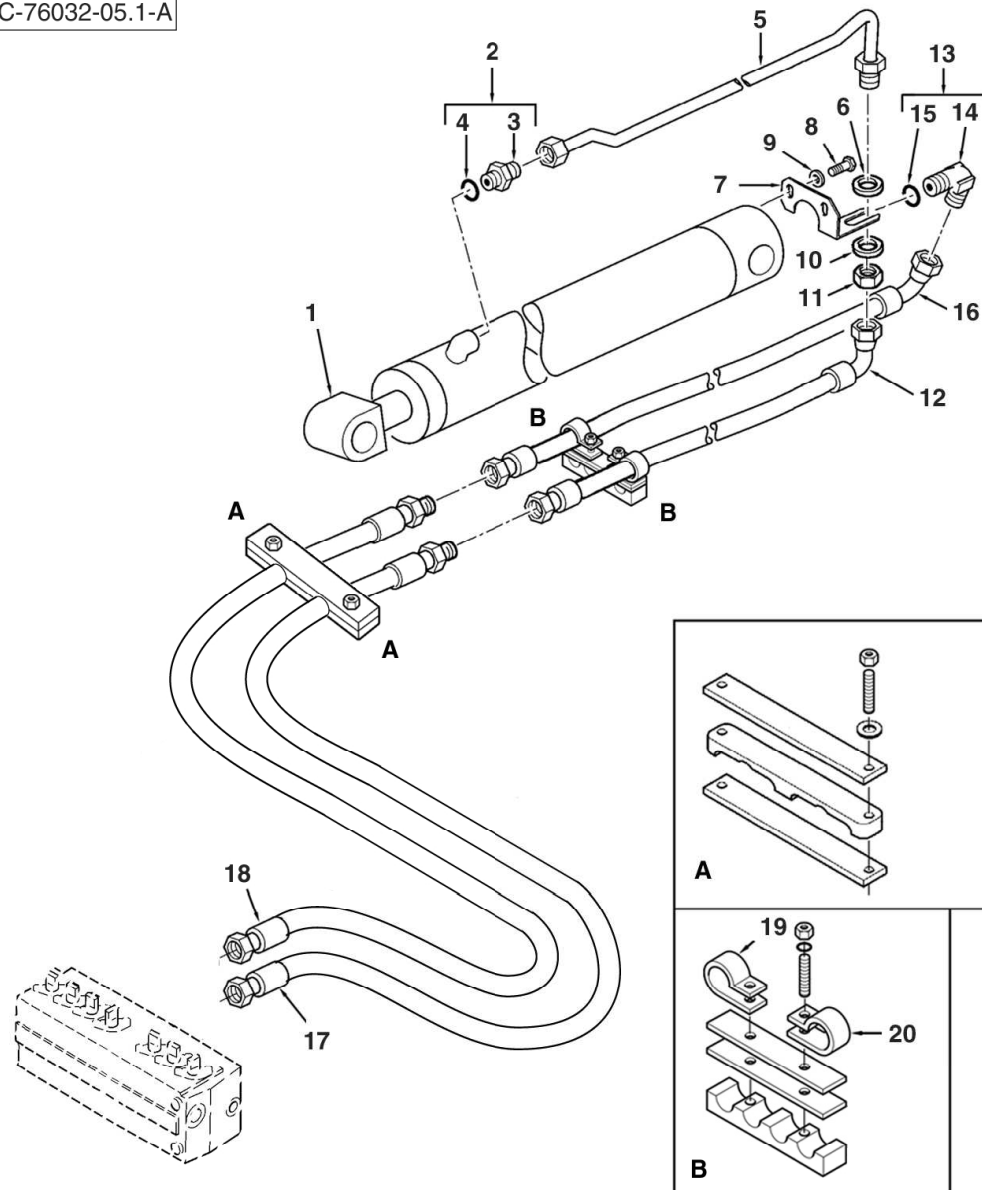
C-76032-04.2-A



Item	Part No.	Qty.	English	French	German	Spanish	Remarks
1	6111069M91GY03	1	Cylinder - Dipperstick	Cylindre	Zylinder	Gato, Conj.	Tba [76032c03.1 1]
2	6194615M91	1	Barrel - Cylinder	Corps Cylindre	Zylindergehäuse	Conjunto De Tubería	
3	#TUBE	1	Tube	Tube	Tube	Tube	Ref. 2
4	6194562M1	2	Bush	Douille	Büchse	Casquillo	
5	6194542M1	1	Nipple - Grease	Graisseur Coude	Nippel	Manguito, Engrasador	
6	6194620M1	1	Ring - Snap	Fermeoir	Sprengring	Anillo De Resorte	
7	6194621M1	1	Bearing - Piston	Coussinet	Lager	Teniendo - Pistón	
8	6194622M1	1	Seal - Piston	Joint Étanchéité	Dichtring	Junta	
9	6194623M1	1	O Ring (Std)	Joint Torique	O Ring	Junta De Tipo O	
10	6194621M1	1	Bearing - Piston	Coussinet	Lager	Teniendo - Pistón	
11	6194619M1	1	Set Screw	Vis	Schraube	Tornillo De Ajuste	
12	6194617M1	1	Piston	Piston	Kolben	Pistón	
13	6194624M1	1	O Ring (Std)	Joint Torique	O Ring	Junta De Tipo O	
14	6194625M1	1	Ring - Back Up	Contre Bague	Stutzring	ContraJunta	
15	6194565M1	1	Bush - Bimetal	Douille	Büchse	Juego De Anillos	
16	6194626M1	1	O Ring (Std)	Joint Torique	O Ring	Junta De Tipo O	
17	6194627M1	1	Ring - Back Up	Contre Bague	Stutzring	ContraJunta	
18	6194618M1	1	End Cover - Head	Couvercle	Deckel	Tapa	
19	6194575M1	1	Seal - Rod (Primary)	Joint Étanchéité	Dichtring	Junta	
20	6194576M1	1	Seal- Rod (Secondary)	Joint Étanchéité	Dichtring	Junta	
21	6194573M1	1	Wiper	Essuyeur	Wischer	Raspador, Escobilla	
22	6194616M91	1	Rod - Piston	Bielle De Piston	Pleuelstange	Rod - Pistón	
23	#ROD	1	Rod	Rod	Rod	Rod	Ref. 22
24	6194562M1	2	Bush	Douille	Büchse	Casquillo	
25	6194542M1	1	Nipple - Grease	Graisseur Coude	Nippel	Manguito, Engrasador	
26	6194628M91	0	Seal Kit	Jeu Etancheite	Dichtringsatz	Juego De Juntas	

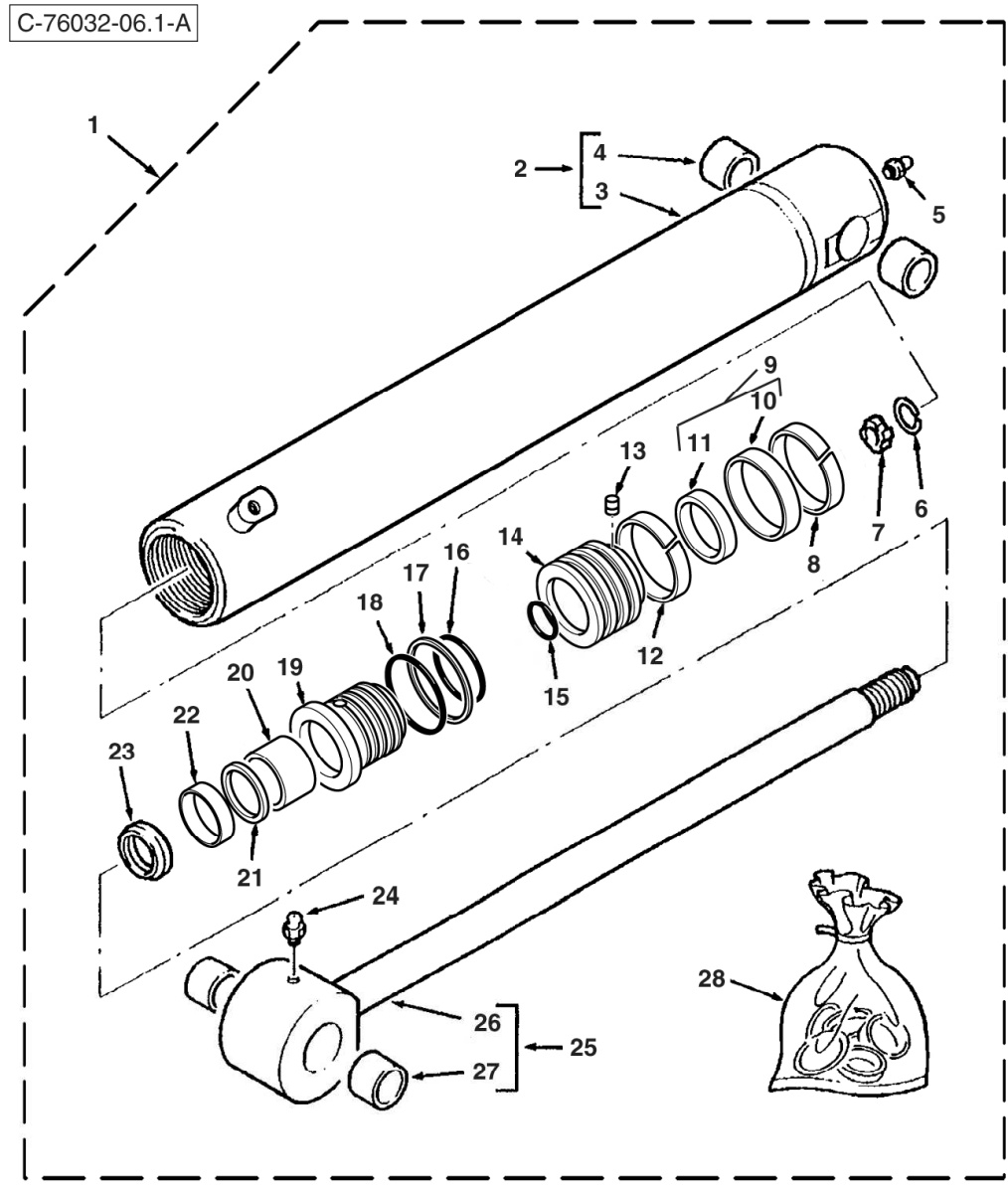


C-76032-05.1-A



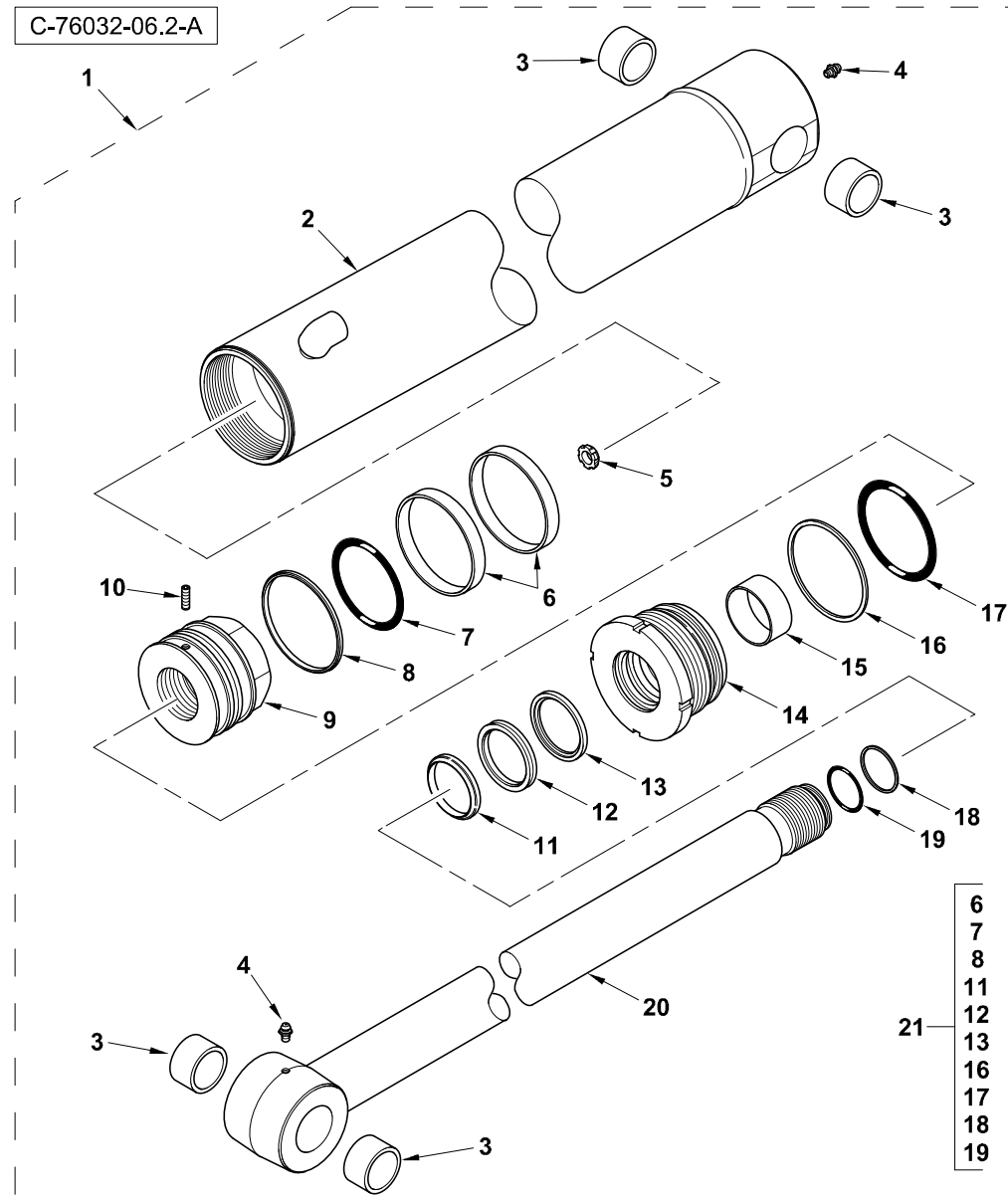
Item	Part No.	Qty.	English	French	German	Spanish	Remarks
1	6111078M91GY03	1	Cylinder Boom 4.5	Cylindre 4.5m	Zylinder 4.5m	Cilindro 4.5m	Wipro
1	5000122M91	1	Cylinder 4.5m B00m - Hi Spec	L' Hie Hydraulique	Zylinder Hydr.	Gato, Conj.	Pacoma
2	835013M91	1	Connector 7/8 Jic	Raccord	Schraubanschluss	Conexión, Conj.	
3	#UNION	1	Union	Union	Union	Union	Ref. 2
4	835024M1	1	Ring O - Boa	Joint Torique	O Ring	Junta De Tipo O	
5	6111166M91	1	Tube Assembly - Boom Cylinder 4.5m	Tuyauterie	Rohrleitung Kplt	Conjunto De Tubería	Wipro
5	6100855M91	1	Tube-Cylinder-4.5 Boom	Tuyauterie	Rohrleitung Kplt	Conjunto De Tubería	Pacoma
6	353763X1	1	Washer	Rondelle	Scheibe	Arandela	
7	6100883M1	1	Bracket-Cylinder-Boom	Patte Fixation	Halter	Pata De Fijación	
8	339228X1	2	Bolt, Hex. - M8 X 12 (Coarse)	Boulon M8 X 12	Maschschraube M8	Tornillo	
9	339374X1	2	Washer M8 -21-2 Z	Rondelle Frein - M8	Federring - M8	Arandela De Freno	
10	353763X1	1	Washer	Rondelle	Scheibe	Arandela	
11	355574X1	1	Nut, Hex. - 7/8" Unf, Lock	Ecrou 7/8" Unf	Mutter 7/8" Unf	Tuerca	
12	6101735M92	1	Hose-Boom Cyl Rod	Flexible Ass.	Schlauch Kplt	Flexible, Conj.	Orange
13	835007M91	1	Elbow 90 Degree Adjust	Coude 90°	Kniestück 90°	Codo, 90°	
14	#ELBOW	1	Elbow	Elbow	Elbow	Elbow	Ref. 13
15	835024M1	1	Ring O - Boa	Joint Torique	O Ring	Junta De Tipo O	
16	6101736M92	1	Hose, "Blue" - Boom Cylinder Feed	Flexible	Schlauch	Flexible, Conj.	Blue
17	6108761M91	1	Hose-Ss Boom Rod	Flexible Ass.	Schlauch Kplt	Flexible, Conj.	Orange
18	6108760M91	1	Hose-Ss Boom HD	Flexible Ass.	Schlauch Kplt	Flexible, Conj.	Blue
19	515-23270	1	Clip-Coated P	Clip	Klips	Clip	
20	515-23206	1	P Clip Bsr081hs	Bride Pour Tutaux	Schlauchschelle	Abrazadera De Manguera	





Item	Part No.	Qty.	English	French	German	Spanish	Remarks
1	5000122M91	1	Cylinder 4.5m B00m - Hi Spec	L´Hie Hydraulique	Zylinder Hydr.	Gato, Conj.	76032c05.1 1
2	5003912M91	1	Barrel Assy	Cylindre	Zylinder	Cilindro	
3	#TUBE, CYLINDER	1	Tube, Cylinder	Tube, Cylinder	Tube, Cylinder	Tube, Cylinder	Ref. 2
4	#BUSHING	2	Bushing	Douille	Busche	Boccola	
5	339608X1	1	Grease Nipple - M10 X 1 (Zinc)	Nipple De Graissage	Schmiernippel	Engrasador	
6	1609899M1	1	Snap Ring	Anneau D´Arrêt	Sprengring	Anillo De Resorte	
7	1609328M1	1	Ring Cushioning	Anneau	Ring	Aro	
8	3403852M1	2	Ring, Guide - Piston	Anneau	Ring	Aro	
9	3485213M91	1	Seal Piston	Joint	Dichtung	Junta, Conj.	
10	#SEAL	1	Seal	Joint Étanchéité	Dichtring	Retén	Ref. 9
11	#SEAL	1	Seal	Joint Étanchéité	Dichtring	Retén	Ref. 9
13	3402928M1	1	Screw, Socket Head - Piston Locating	Vis Tête Hex	Zylinderschraube	Tornillo	
14	3484189M1	1	Piston	Piston	Kolben	Pistón	
15	3007182X1	1	O-Ring	Joint Torique	O-Ring	Junta De Tipo O	
16	359203X1	1	O-Ring	Joint Torique	O-Ring	Junta De Tipo O	
17	367120X1	1	Back-Up Ring	Contre Bague	Stützring	Aro	
18	3487909M1	1	O-Ring	Joint Torique	O-Ring	Junta De Tipo O	
19	3623202M1	1	Bearing	Roulement	Lager	Cojinete	
20	3623193M1	1	Guide Ring	Anneau	Ring	Aro	
21	3443388M1	1	Ring - Back Up	Anneau	Ring	Aro	
22	3443472M1	1	Seal	Joint D´Arbre	Wellendichtring	Junta	
23	3403385M1	1	Wiper Ring	Joint De Racleur	Abstreifdichtung	Junta Raspador	
24	339608X1	1	Grease Nipple - M10 X 1 (Zinc)	Nipple De Graissage	Schmiernippel	Engrasador	
25	3441629M91	1	Piston Rod Assy	Tige De Vérin	Kolbenstange	Vástago Cilindro	
26	#ROD, PISTON	1	Rod, Piston	Rod, Piston	Rod, Piston	Rod, Piston	Ref. 25
27	3484843M1	1	Bush, Hydr. Cylinders	Douille	Buechse	Casquillo	

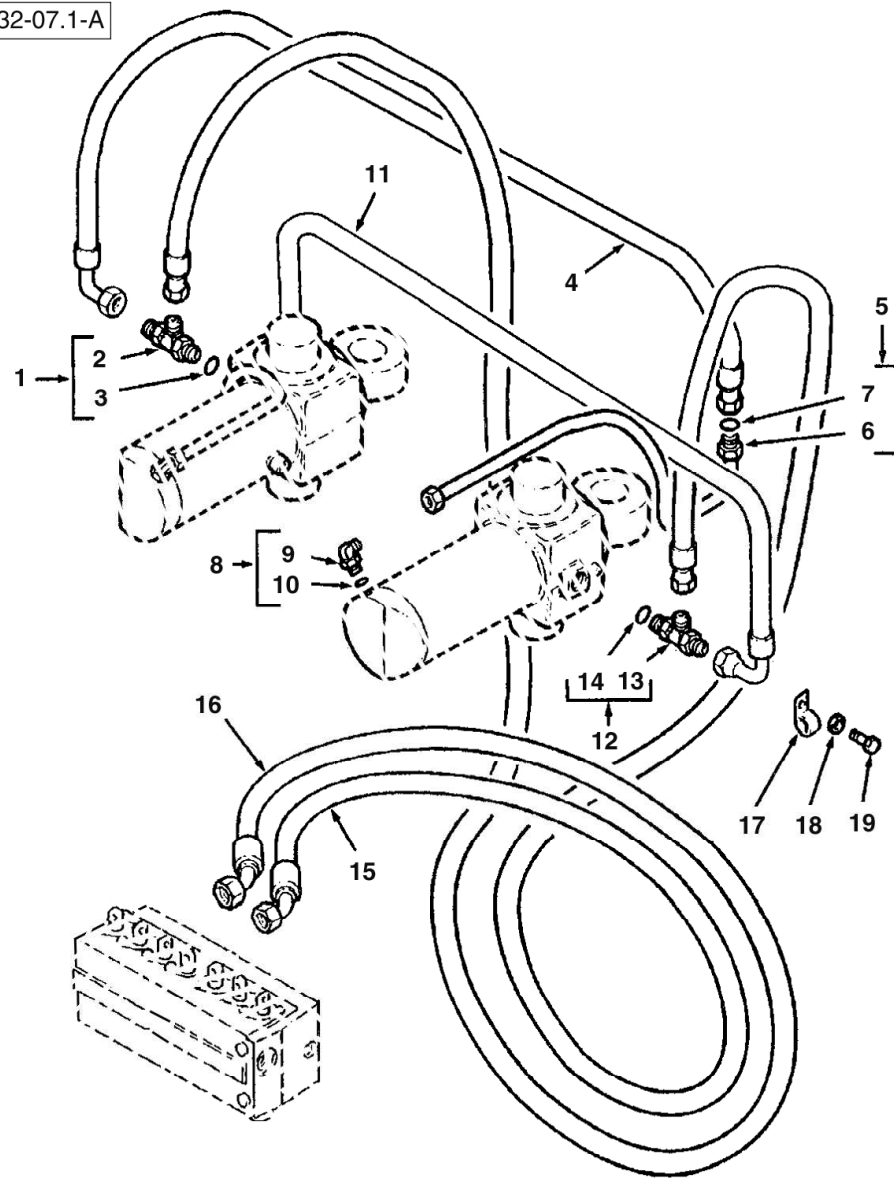




Item	Part No.	Qty.	English	French	German	Spanish	Remarks
1	6111078M91GY03	1	Cylinder Boom 4.5	Cylindre 4.5m	Zylinder 4.5m	Cilindro 4.5m	
2	6195249M91GY03	1	Tube - S/A (Terex Grey)	Tube - S/A (Terex Grey)	Tube - S/A (Terex Grey)	Tube - S/A (Terex Grey)	
3	6195253M1	4	Bush	Douille	Buchse	Casquillo	
4	6195255M1	2	Grease Nipple	Grease Nipple	Grease Nipple	Grease Nipple	
5	6195235M1	1	Ring - Cushion	Ring - Cushion	Ring - Cushion	Ring - Cushion	
6	6195259M1	2	Bearing - Piston	Bearing - Piston	Bearing - Piston	Bearing - Piston	
7	6195258M1	1	O - Ring	O - Ring	O - Ring	O - Ring	
8	6195257M1	1	Seal - Piston	Seal - Piston	Seal - Piston	Seal - Piston	
9	6195251M1	1	Piston	Piston	Piston	Piston	
10	6195254M1	1	Set Screw - Hex. Socket	Set Screw - Hex. Socket	Set Screw - Hex. Socket	Set Screw - Hex. Socket	
11	6194573M1	1	Wiper	Essuyeur	Wischer	Raspador, Escobilla	
12	6195262M1	1	Seal - Rod (Secondary)	Seal - Rod (Secondary)	Seal - Rod (Secondary)	Seal - Rod (Secondary)	
13	6194575M1	1	Seal - Rod (Primary)	Joint Étanchéité	Dichtring	Junta	
14	6195252M1	1	Cover - H.E.	Cover - H.E.	Cover - H.E.	Cover - H.E.	
15	6195256M1	1	Bush - Bimetal	Bush - Bimetal	Bush - Bimetal	Bush - Bimetal	
16	6195261M1	1	Ring - Back Up	Ring - Back Up	Ring - Back Up	Ring - Back Up	
17	6195260M1	1	O - Ring	O - Ring	O - Ring	O - Ring	
18	6194570M1	1	Ring - Back Up	Contre Bague	Stutzring	ContraJunta	
19	6195247M1	1	O - Ring	O - Ring	O - Ring	O - Ring	
20	6195250M91	1	Piston Rod - S/A	Piston Rod - S/A	Piston Rod - S/A	Piston Rod - S/A	
21	6195263M91	1	Seal Kit	Jeu Etancheite	Dichtringsatz	Juego Retenes	



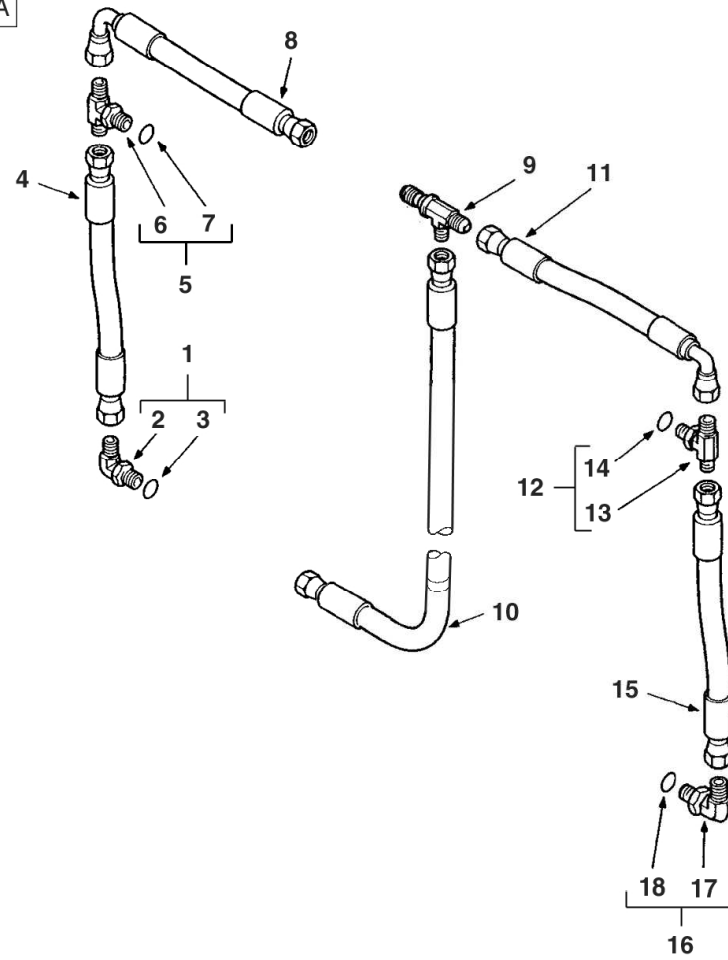
C-76032-07.1-A



Item	Part No.	Qty.	English	French	German	Spanish	Remarks
1	358728X91	1	Tee	Te	T-Stück	Te	
2	#TEE	1	Tee	Tee	Tee	Tee	Ref. 1
3	831497M1	1	O-Ring	Joint Torique	O-Ring	Junta De Tipo O	
4	6100716M91	1	Hose Slew Trsfr	Flexible Ass.	Schlauch Kplt	Flexible, Conj.	
5	6111175M92	1	Tube Assy Slew	Ensemble Tube	Rohr Kpl	Conj.De Tubo	RH Wipro
5	6111174M92	1	Tube Assy Slew	Ensemble Tube	Rohr Kpl	Conj. De Tubo	LH Wipro
5	6100587M91	1	Tube Slew Trsf LH	Tuyauterie	Rohrleitung Kplt	Conjunto De Tubería	Pacoma
5	6100589M91	1	Tube Slew Trsf RH	Tuyauterie	Rohrleitung Kplt	Conjunto De Tubería	Pacoma
6	#TUBE	1	Tube	Tube	Tube	Tube	Ref. 5
7	394923X1	1	O Ring	Joint Torique	O Ring	Junta De Tipo O	
8	357197X91	2	Elbow & O Ring	Coude	Kniestück, 90°	Codo, 90°	
9	#ELBOW	1	Elbow	Elbow	Elbow	Elbow	Ref. 8
10	831452M1	1	O Ring (Pack Of 10)	Joint Torique	O Ring	Junta De Tipo O	
11	6100716M91	1	Hose Slew Trsfr	Flexible Ass.	Schlauch Kplt	Flexible, Conj.	
12	358728X91	1	Tee	Te	T-Stück	Te	
13	#TEE	1	Tee	Tee	Tee	Tee	Ref. 12
14	831497M1	1	O-Ring	Joint Torique	O-Ring	Junta De Tipo O	
15	6107456M91	1	Hose-Iso Ss LH Swing	Flexible Ass.	Schlauch Kplt	Flexible, Conj.	
16	6107455M91	1	Hose-Iso Ss RH Swing	Flexible Ass.	Schlauch Kplt	Flexible, Conj.	
17	3517114M2	2	P - Clip	Collier De Fixation	Befestigungsschelle	Argolla De Fijación	
18	385361X1	2	Washer M8 Hardened	Rondelle M8	Scheibe M8	Arandela	
19	339228X1	2	Bolt, Hex. - M8 X 12 (Coarse)	Boulon M8 X 12	Maschschraube M8	Tornillo	



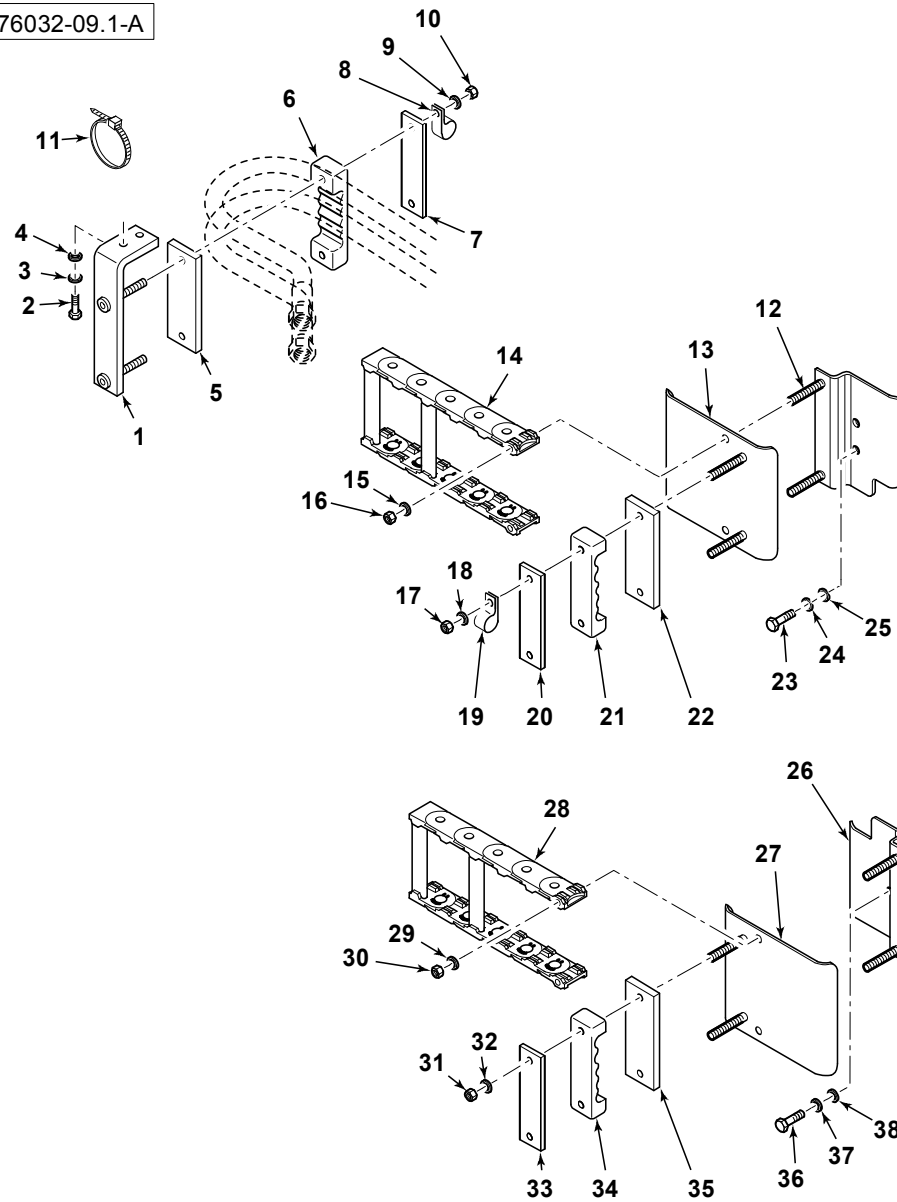
C-76032-08.1-A



Item	Part No.	Qty.	English	French	German	Spanish	Remarks
1	358761X91	1	Elbow 90 Deg	Coude, 90	Kniestück, 90	Codo, 90°	
2	#ELBOW	1	Elbow	Elbow	Elbow	Elbow	Ref. 1
3	831496M1	1	O-Ring	Joint Torique	O-Ring	Junta De Tipo O	
4	3521882M94	1	Hose-Clamp Elbow/Tee	Flexible Ass.	Schlauch Kplt	Flexible, Conj.	
5	358827X91	1	Tee 1/2 Sae 1/2 Jic	Te	T-Stück	Te	
6	#TEE	1	Tee	Tee	Tee	Tee	Ref. 5
7	831496M1	1	O-Ring	Joint Torique	O-Ring	Junta De Tipo O	
8	3521878M93	1	Hose Sleeved	Flexible Ass.	Schlauch Kplt	Flexible, Conj.	
9	356558X1	1	Tee 7/16 Male	Te	T-Stück	Te	
10	6110207M91	1	Hose Assembly - Clamp	Ensemble De Flexible	Schlauch Kpl.	Flexible, Conj.	
11	3521878M93	1	Hose Sleeved	Flexible Ass.	Schlauch Kplt	Flexible, Conj.	
12	358827X91	1	Tee 1/2 Sae 1/2 Jic	Te	T-Stück	Te	
13	#TEE	1	Tee	Tee	Tee	Tee	Ref. 12
14	831496M1	1	O-Ring	Joint Torique	O-Ring	Junta De Tipo O	
15	3521882M94	1	Hose-Clamp Elbow/Tee	Flexible Ass.	Schlauch Kplt	Flexible, Conj.	
16	358761X91	1	Elbow 90 Deg	Coude, 90	Kniestück, 90	Codo, 90°	
17	#ELBOW	1	Elbow	Elbow	Elbow	Elbow	Ref. 16
18	831496M1	1	O-Ring	Joint Torique	O-Ring	Junta De Tipo O	



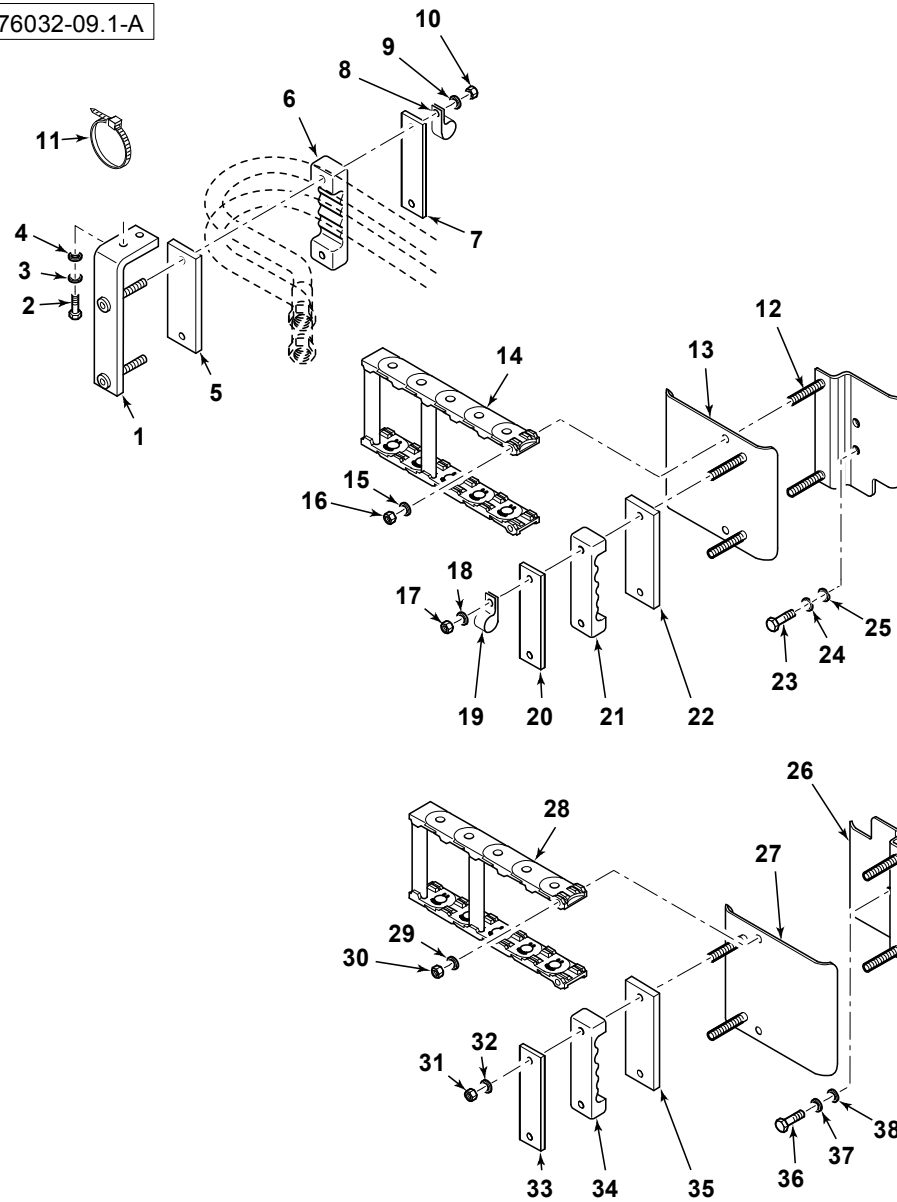
C-76032-09.1-A



Item	Part No.	Qty.	English	French	German	Spanish	Remarks
1	6107934M91	2	Bracket-Clamp	Patte Fixation	Halter	Brida De Fijación	
2	339761X1	4	Bolt M8-25 Z5f	Goupille	Bolzen M8 X 25	Tornillo	
3	390972X1	4	Washer M8-17-1 Zwel	Rondelle M8	Scheibe - M8	Arandela	
4	339374X1	4	Washer M8 -21-2 Z	Rondelle Frein - M8	Federring - M8	Arandela De Freno	
5	6102197M1	2	Pad-Neoprene	Plaque De Caoutchouc	Gummiplatte	Placa, Caucho	
6	6101859M1	1	Clamp-Rh Hose	Collier De Serrage	Schlauchbinder	Argolla De Cierre	
6	6101216M1	1	Clamp-Lh Hose	Collier De Serrage	Schlauchbinder	Argolla De Cierre	
7	6101215M1	2	Plate - Clamp	Plaque	Platte	Placa	
8	515-22159	1	Clip-Coated P	Collier De Serrage	Klemme	Argolla De Fijación	
9	390972X1	4	Washer M8-17-1 Zwel	Rondelle M8	Scheibe - M8	Arandela	
10	394367X1	4	Nut, Hex. - Nyloc, M8	Ecrou Blocage M8	Flachmutter - M8	Tuerca De Retención	
11	1862425M1	1	Tie 385mm T50I	Attache Cable	Kabelbinder	Enlace De Cable	
12	6102307M91	1	Bracket-Rh-W/Assy	Patte Fixation	Halter	Brida De Fijación	
13	6101424M91	1	Plate, Support - Digger Hoses	Ensemble De Plaque	Platte Kpl.	Placa, Conj.	
14	6102199M92	1	Hose Guide - Plastic Chain	Chaîne	Kette	Cadena	
15	390971X1	2	Washer M6-12-1 Zwel	Rondelle - M6	Scheibe - M6	Arandela	
16	1441500X1	2	Nut M6 Z5 Nyloc	Ecrou	Flachmutter M6	Tuerca De Retención	
17	394367X1	2	Nut, Hex. - Nyloc, M8	Ecrou Blocage M8	Flachmutter - M8	Tuerca De Retención	
18	390972X1	2	Washer M8-17-1 Zwel	Rondelle M8	Scheibe - M8	Arandela	
19	515-22159	1	Clip-Coated P	Collier De Serrage	Klemme	Argolla De Fijación	
20	6101215M1	1	Plate - Clamp	Plaque	Platte	Placa	
21	6101859M1	1	Clamp-Rh Hose	Collier De Serrage	Schlauchbinder	Argolla De Cierre	
22	6102197M1	1	Pad-Neoprene	Plaque De Caoutchouc	Gummiplatte	Placa, Caucho	
23	3009492X1	2	Bolt - Hex. M10 X 25	Boulon M10 X 25	Schraube M10 X 25	Tornillo	
24	339376X1	2	Washer M10-18-2 Zsp	Rondelle Frein	Federring	Arandela De Freno	
25	390734X1	2	Washer M10-21-2 Z	Rondelle - M10	Unterlegscheibe	Arandela	
26	6102308M91	1	Bracket-Lh-W/Assy	Patte Fixation	Halter	Brida De Fijación	
27	6101424M91	1	Plate, Support - Digger Hoses	Ensemble De Plaque	Platte Kpl.	Placa, Conj.	
28	6102199M92	1	Hose Guide - Plastic Chain	Chaîne	Kette	Cadena	
29	390971X1	2	Washer M6-12-1 Zwel	Rondelle - M6	Scheibe - M6	Arandela	



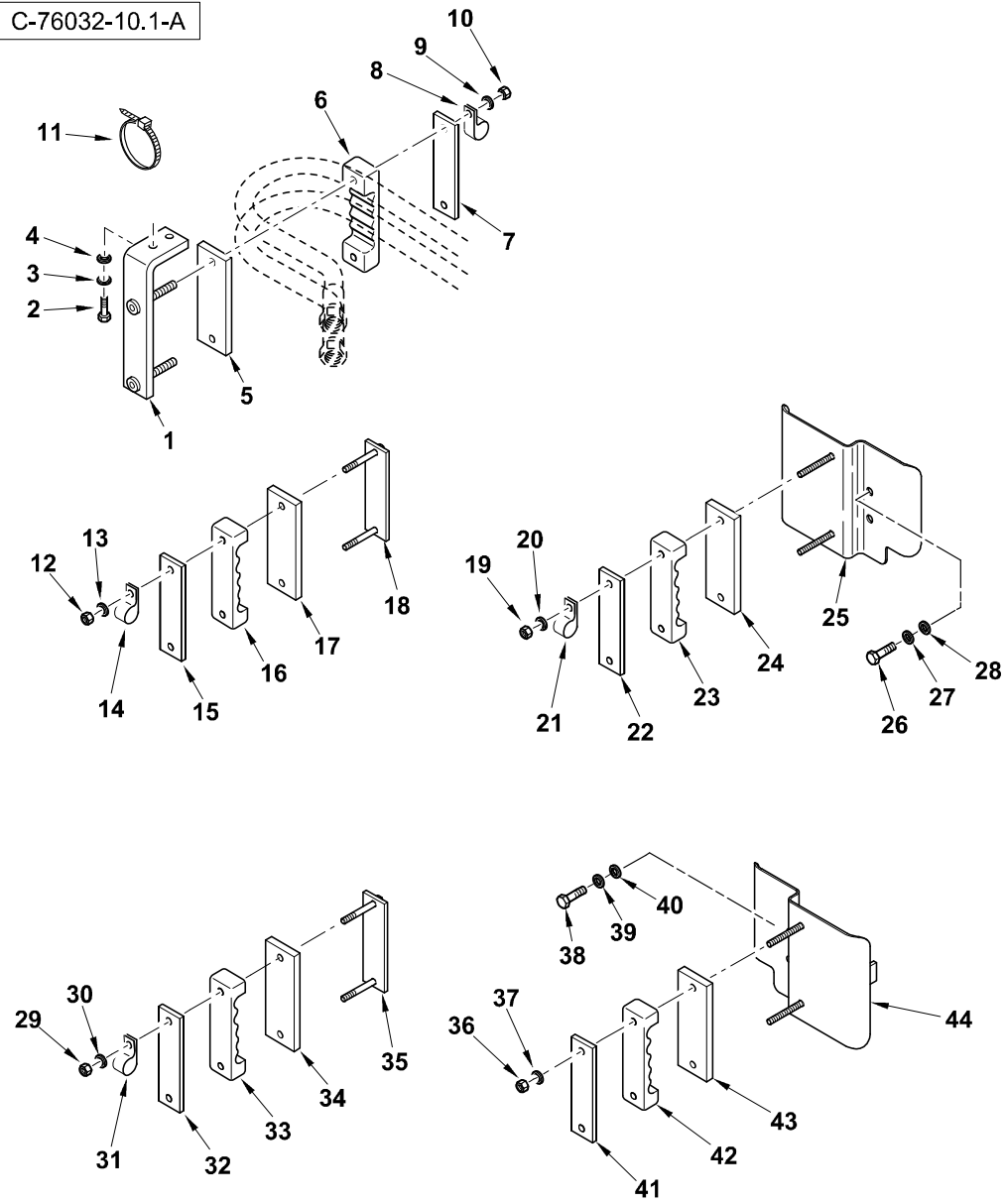
C-76032-09.1-A



Item	Part No.	Qty.	English	French	German	Spanish	Remarks
30	1441500X1	2	Nut M6 Z5 Nyloc	Ecrou	Flachmutter M6	Tuerca De Retención	
31	394367X1	2	Nut, Hex. - Nyloc, M8	Ecrou Blocage M8	Flachmutter - M8	Tuerca De Retención	
32	390972X1	2	Washer M8-17-1 Zwl	Rondelle M8	Scheibe - M8	Arandela	
33	6101215M1	1	Plate - Clamp	Plaque	Platte	Placa	
34	6101216M1	1	Clamp-Lh Hose	Collier De Serrage	Schlauchbinder	Argolla De Cierre	
35	6102197M1	1	Pad-Neoprene	Plaque De Caoutchouc	Gummiplatte	Placa, Caucho	
36	3009492X1	2	Bolt - Hex. M10 X 25	Boulon M10 X 25	Schraube M10 X 25	Tornillo	
37	339376X1	2	Washer M10-18-2 Zsp	Rondelle Frein	Federring	Arandela De Freno	
38	390734X1	2	Washer M10-21-2 Z	Rondelle - M10	Unterlegscheibe	Arandela	



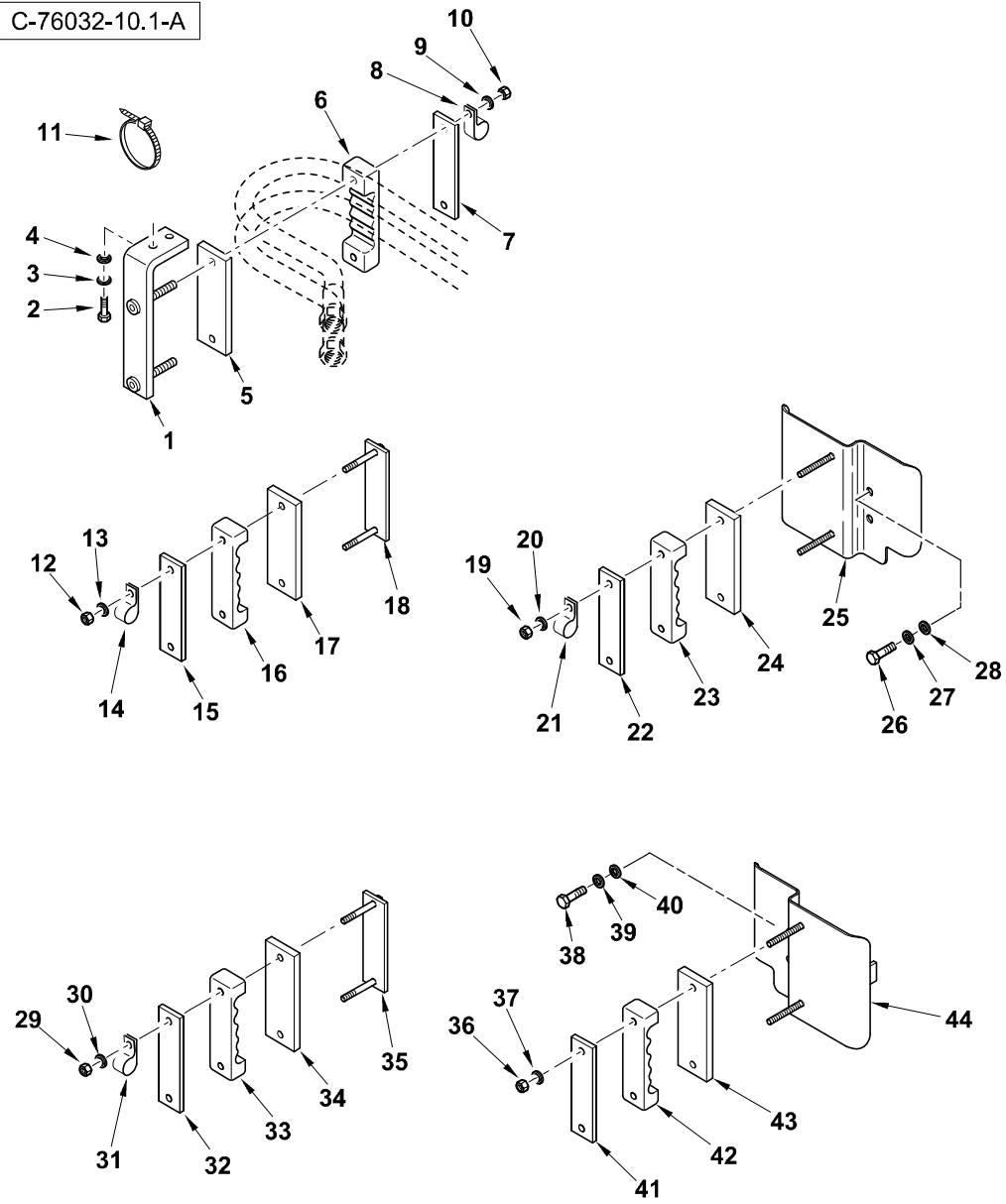
C-76032-10.1-A



Item	Part No.	Qty.	English	French	German	Spanish	Remarks
1	6107934M91	2	Bracket-Clamp	Patte Fixation	Halter	Brida De Fijación	
2	339761X1	4	Bolt M8-25 Z5f	Goupille	Bolzen M8 X 25	Tornillo	
3	390972X1	4	Washer M8-17-1 Zwl	Rondelle M8	Scheibe - M8	Arandela	
4	339374X1	4	Washer M8 -21-2 Z	Rondelle Frein - M8	Federring - M8	Arandela De Freno	
5	6102197M1	2	Pad-Neoprene	Plaque De Caoutchouc	Gummiplatte	Placa, Caucho	
6	6101859M1	1	Clamp-Rh Hose	Collier De Serrage	Schlauchbinder	Argolla De Cierre	
6	6101216M1	1	Clamp-Lh Hose	Collier De Serrage	Schlauchbinder	Argolla De Cierre	
7	6101215M1	2	Plate - Clamp	Plaque	Platte	Placa	
8	515-22159	1	Clip-Coated P	Collier De Serrage	Klemme	Argolla De Fijación	
9	390972X1	4	Washer M8-17-1 Zwl	Rondelle M8	Scheibe - M8	Arandela	
10	394367X1	4	Nut, Hex. - Nyloc, M8	Ecrou Blocage M8	Flachmutter - M8	Tuerca De Retención	
11	1862425M1	1	Tie 385mm T50I	Attache Cable	Kabelbinder	Enlace De Cable	
12	394367X1	2	Nut, Hex. - Nyloc, M8	Ecrou Blocage M8	Flachmutter - M8	Tuerca De Retención	
13	390972X1	2	Washer M8-17-1 Zwl	Rondelle M8	Scheibe - M8	Arandela	
14	515-22159	1	Clip-Coated P	Collier De Serrage	Klemme	Argolla De Fijación	
15	6101215M1	1	Plate - Clamp	Plaque	Platte	Placa	
16	6101859M1	1	Clamp-Rh Hose	Collier De Serrage	Schlauchbinder	Argolla De Cierre	
17	6102197M1	1	Pad-Neoprene	Plaque De Caoutchouc	Gummiplatte	Placa, Caucho	
18	6111437M91	1	Clamp - Hose Plate Assy.	Collier	Halteschelle	Placa, Conj.	
19	394367X1	2	Nut, Hex. - Nyloc, M8	Ecrou Blocage M8	Flachmutter - M8	Tuerca De Retención	
20	390972X1	2	Washer M8-17-1 Zwl	Rondelle M8	Scheibe - M8	Arandela	
21	515-22159	1	Clip-Coated P	Collier De Serrage	Klemme	Argolla De Fijación	
22	6101215M1	1	Plate - Clamp	Plaque	Platte	Placa	
23	6101859M1	1	Clamp-Rh Hose	Collier De Serrage	Schlauchbinder	Argolla De Cierre	
24	6102197M1	1	Pad-Neoprene	Plaque De Caoutchouc	Gummiplatte	Placa, Caucho	
25	6111548M91	1	Bracket- Hose Clamp RH W/A	Support Fixation	Haltearm	Cuchara, Conj.	
26	3009492X1	2	Bolt - Hex. M10 X 25	Boulon M10 X 25	Schraube M10 X 25	Tornillo	
27	339376X1	2	Washer M10-18-2 Zsp	Rondelle Frein	Federring	Arandela De Freno	
28	390734X1	2	Washer M10-21-2 Z	Rondelle - M10	Unterlegscheibe	Arandela	
29	394367X1	2	Nut, Hex. - Nyloc, M8	Ecrou Blocage M8	Flachmutter - M8	Tuerca De Retención	



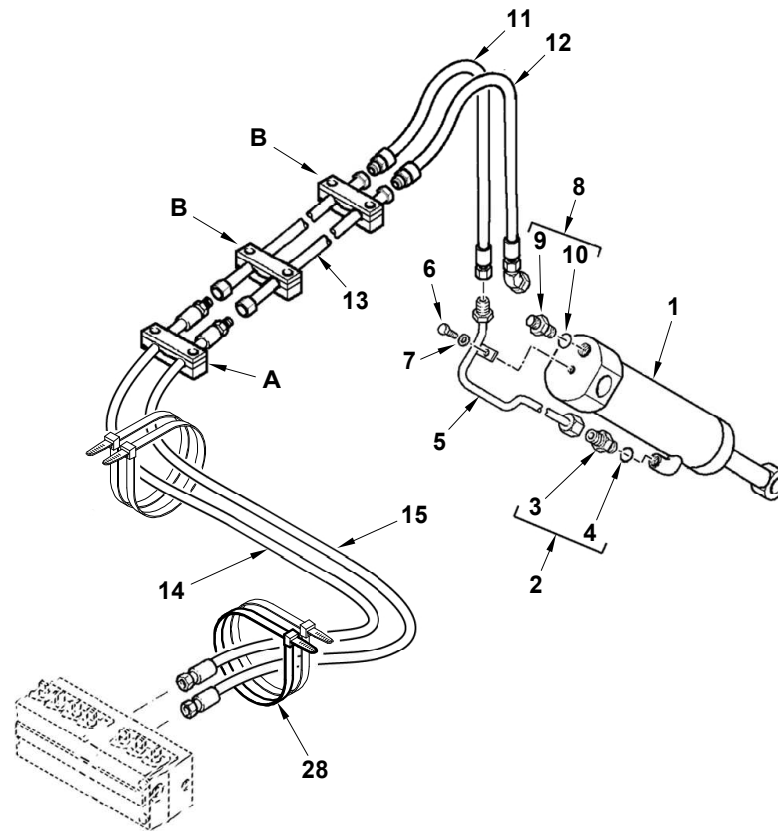
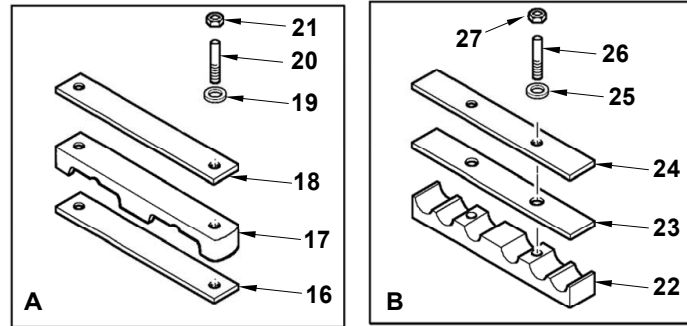
C-76032-10.1-A



Item	Part No.	Qty.	English	French	German	Spanish	Remarks
30	390972X1	2	Washer M8-17-1 Zwel	Rondelle M8	Scheibe - M8	Arandela	
31	515-22159	1	Clip-Coated P	Collier De Serrage	Klemme	Argolla De Fijación	
32	6101215M1	1	Plate - Clamp	Plaque	Platte	Placa	
33	6101216M1	1	Clamp-Lh Hose	Collier De Serrage	Schlauchbinder	Argolla De Cierre	
34	6102197M1	1	Pad-Neoprene	Plaque De Caoutchouc	Gummiplatte	Placa, Caucho	
35	6111437M91	1	Clamp - Hose Plate Assy.	Collier	Halteschelle	Placa, Conj.	
36	394367X1	2	Nut, Hex. - Nyloc, M8	Ecrou Blocage M8	Flachmutter - M8	Tuerca De Retención	
37	390972X1	2	Washer M8-17-1 Zwel	Rondelle M8	Scheibe - M8	Arandela	
38	3009492X1	2	Bolt - Hex. M10 X 25	Boulon M10 X 25	Schraube M10 X 25	Tornillo	
39	339376X1	2	Washer M10-18-2 Zsp	Rondelle Frein	Federring	Arandela De Freno	
40	390734X1	2	Washer M10-21-2 Z	Rondelle - M10	Unterlegscheibe	Arandela	
41	6101215M1	1	Plate - Clamp	Plaque	Platte	Placa	
42	6101216M1	1	Clamp-Lh Hose	Collier De Serrage	Schlauchbinder	Argolla De Cierre	
43	6102197M1	1	Pad-Neoprene	Plaque De Caoutchouc	Gummiplatte	Placa, Caucho	
44	6111551M91	1	Bracket- Hose Clamp LH W/A	Support Fixation	Haltearm	Cuchara, Conj.	



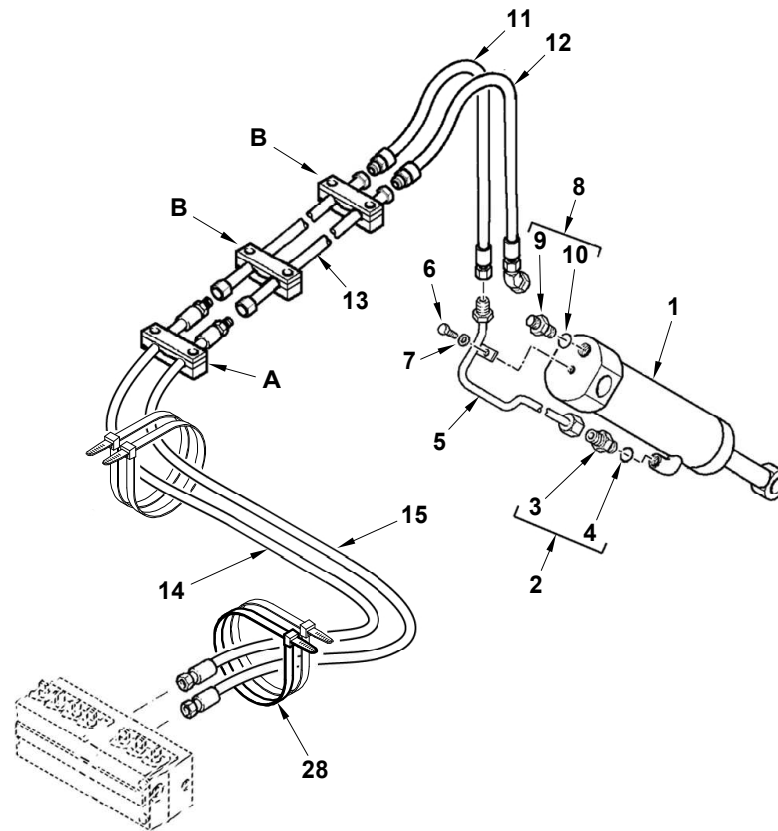
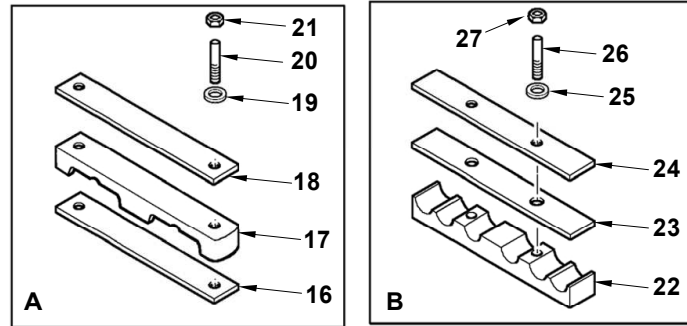
C-76033-01.1-B



Item	Part No.	Qty.	English	French	German	Spanish	Remarks
1	#CYLINDER ASSY	1	Cylinder Assy	Cylinder Assy	Cylinder Assy	Cylinder Assy	[76033c02.1 1] [76033c02.2 1]
2	835013M91	1	Connector 7/8 Jic	Raccord	Schraubanschluss	Conexión, Conj.	
3	#UNION	1	Union	Union	Union	Union	Ref. 2
4	835024M1	1	Ring O - Boa	Joint Torique	O Ring	Junta De Tipo O	
5	6111161M91	1	Tube Assembly - Digger Bucket Cylinder	Tuyauterie	Rohrleitung Kplt	Conjunto De Tubería	Tba Wipro
5	6101540M91	1	Tube Assy Bucket	Tuyauterie	Rohrleitung Kplt	Conjunto De Tubería	Tba Pacoma
6	339123X1	1	Bolt M8-20 Z5f	Boulon M8 X 20	Maschschraube M8	Perno	
7	385361X1	1	Washer M8 Hardened	Rondelle M8	Scheibe M8	Arandela	
8	835013M91	1	Connector 7/8 Jic	Raccord	Schraubanschluss	Conexión, Conj.	
9	#UNION	1	Union	Union	Union	Union	Ref. 8
10	835024M1	1	Ring O - Boa	Joint Torique	O Ring	Junta De Tipo O	
11	#HOSE ASSY	1	Hose Assy	Hose Assy	Hose Assy	Hose Assy	Brown
12	#HOSE ASSY	1	Hose Assy	Hose Assy	Hose Assy	Hose Assy	White
13	6111137M91	2	Tube Assy - Bkt 4.5m Boom	Ensemble Tube	Rohr Kpl	Conjunto De Tubería	Ec05/328
13	6101771M91	2	Tube-Bucket-4.5m Boom	Tuyauterie	Rohrleitung Kplt	Conjunto De Tubería	Ec05/328
14	6111141M91	1	Hose Assy - Bucket Rod (Brown S/Shift)	Ensemble Durit	Schlauch Kpl	Flexible, Conj.	Brown Ec05/328
14	6108762M91	1	Hose-Ss Bucket Rod	Flexible Ass.	Schlauch Kplt	Flexible, Conj.	Brown Ec05/328
15	6111142M91	1	Hose Assy - Bucket HD (White S/Shift)	Ensemble Durit	Schlauch Kpl	Flexible, Conj.	White Ec05/328
15	6108763M91	1	Hose-Ss Bucket HD	Flexible Ass.	Schlauch Kplt	Flexible, Conj.	White Ec05/328
16	6102128M1	1	Pad-Neoprene	Plaque Antidérapante	Zwischenlage	Cinta Antideslizante	
17	6102122M1	1	Clamp	Collier De Serrage	Klemme	Brida De Fijación	
18	6102130M1	1	Plate-Clamp	Plaque	Platte	Placa	
19	390972X1	2	Washer M8-17-1 Zwl	Rondelle M8	Scheibe - M8	Arandela	
20	3516075M1	2	Stud M8-65 Z5	Goujon	Stehbolzen	Espárrago	
21	394367X1	2	Nut, Hex. - Nyloc, M8	Ecrou Blocage M8	Flachmutter - M8	Tuerca De Retención	
22	6102126M1	2	Clamp	Collier De Serrage	Klemme	Brida De Fijación	
23	6102145M1	2	Pad-Neoprene	Plaque Antidérapante	Zwischenlage	Cinta Antideslizante	
24	6102124M1	2	Plate-Top	Plaque	Platte	Placa	
25	390972X1	4	Washer M8-17-1 Zwl	Rondelle M8	Scheibe - M8	Arandela	
26	6108049M1	4	Stud M8	Goujon	Stehbolzen	Espárrago	

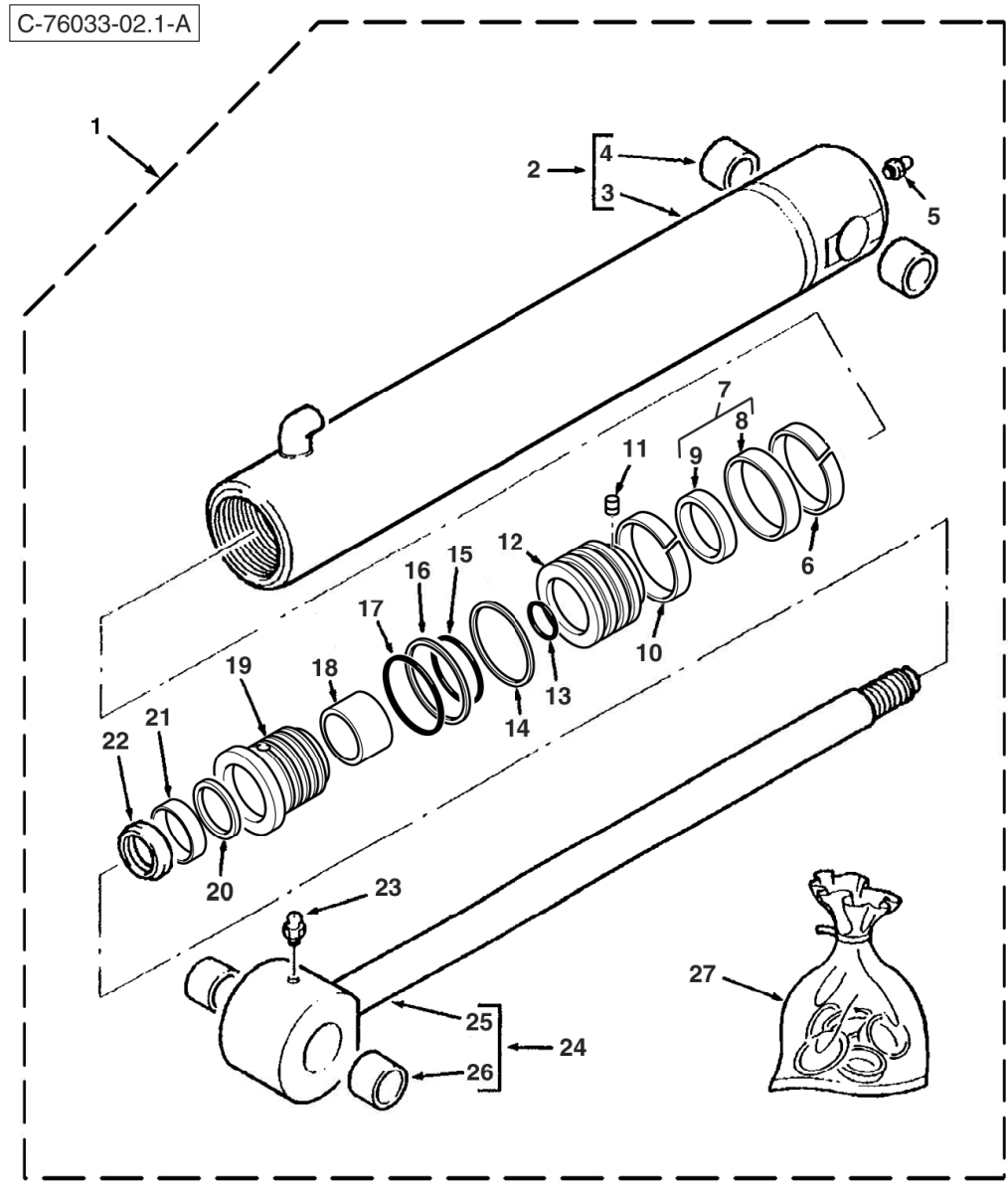


C-76033-01.1-B



Item	Part No.	Qty.	English	French	German	Spanish	Remarks
27	394367X1	4	Nut, Hex. - Nyloc, M8	Ecrou Blocage M8	Flachmutter - M8	Tuerca De Retención	
28	8000-1379	4	Tie Wrap (530 X 13mm)	Bride	Buegel	Banda	

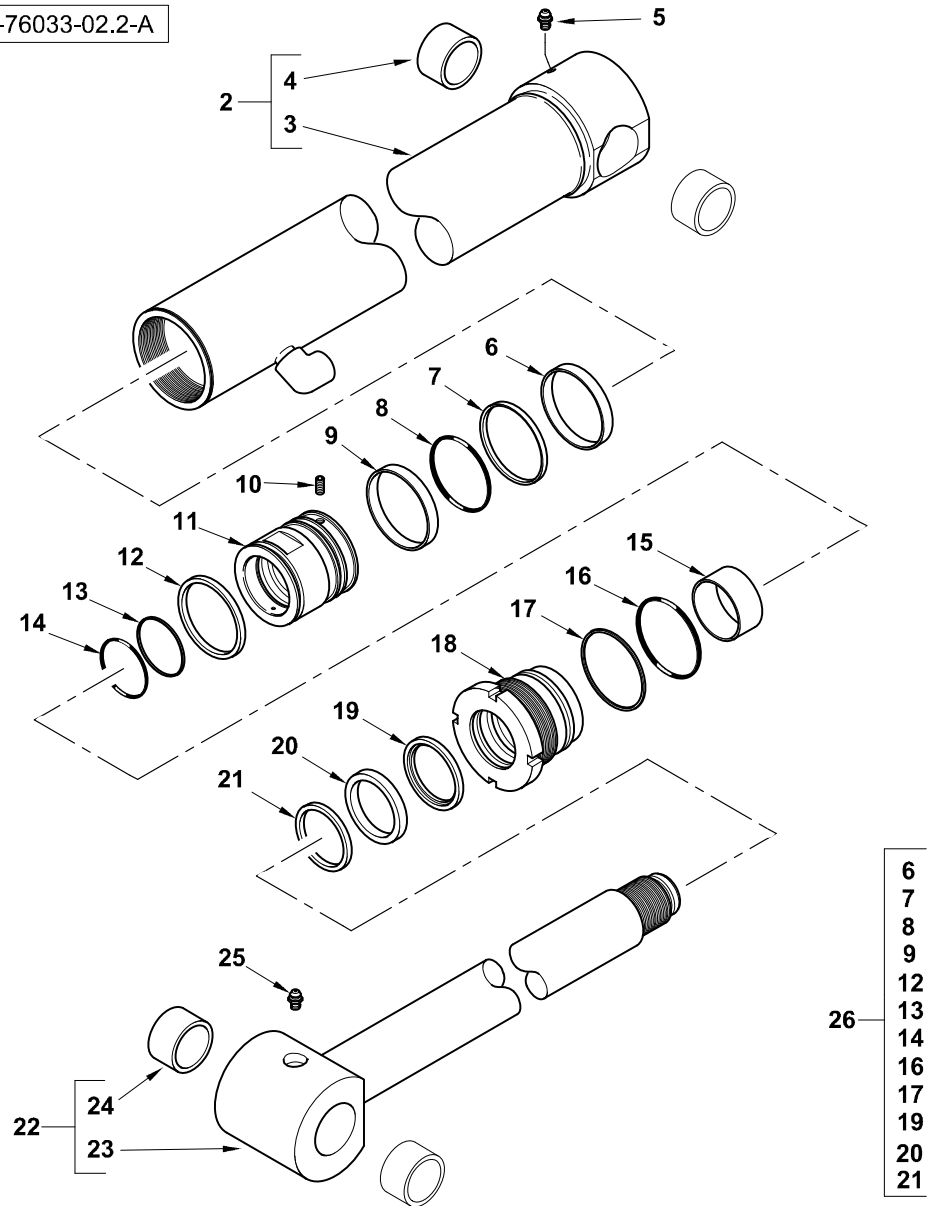




Item	Part No.	Qty.	English	French	German	Spanish	Remarks
1	5000126M91GY02	1	Cylinder Digger Bucket (Benford Grey)	L´Hie Hydraulique	Zylinder Hydr.	Gato, Conj.	Tba [76033c01.1 1]
2	5004008M91	1	Barrel Assy	Cylindre	Zylinder	Cilindro	
3	#TUBE, CYLINDER	1	Tube, Cylinder	Tube, Cylinder	Tube, Cylinder	Tube, Cylinder	Ref. 2
4	#BUSHING	1	Bushing	Douille	Busche	Boccola	
5	339608X1	1	Grease Nipple - M10 X 1 (Zinc)	Nipple De Graissage	Schmiernippel	Engrasador	
6	3485892M1	1	Guide Ring Piston	Bague D´Étanchéité	Dichtungsring	Anillo, Estanqueidad	
7	3485245M91	1	Seal Assy Piston	Joint Ass.	Dichtung Kplt	Junta, Conj.	
8	#SEAL	1	Seal	Joint Étanchéité	Dichtring	Retén	Ref. 7
9	#RING	1	Ring	Anneau	Ring	Aro	Ref. 7
10	3485892M1	1	Guide Ring Piston	Bague D´Étanchéité	Dichtungsring	Anillo, Estanqueidad	
11	3402928M1	1	Screw, Socket Head - Piston Locating	Vis Tête Hex	Zylinderschraube	Tornillo	
12	3623372M1	1	Piston	Piston	Kolben	Pistón	
13	359186X1	1	O-Ring	Joint Torique	O-Ring	Junta De Tipo O	
14	3623061M1	1	Ring Piston	Segment De Piston	Kolbenring	Segmento De Pistón	
15	359193X1	1	O-Ring	Joint Torique	O-Ring	Junta De Tipo O	
16	1606735M1	1	Ring Back-Up	Contre Bague	Stützring	ContraJunta	
17	3487207M1	1	O-Ring	Joint Torique	O-Ring	Junta De Tipo O	
18	3484615M1	1	Guide Ring	Anneau	Ring	Aro	
19	3623371M1	1	Gland - Bucket Cylinder	Presse Étoupe	Stopfbuchse	Cojinete	
20	3484055M1	1	Ring Buffer	Anneau	Ring	Aro	
21	3485185M1	1	Seal	Joint D´Arbre	Wellendichtring	Junta	
22	3487015M1	1	Wiper Ring	Anneau	Ring	Aro	
23	339608X1	1	Grease Nipple - M10 X 1 (Zinc)	Nipple De Graissage	Schmiernippel	Engrasador	
24	5004012M91	1	Piston Rod Assy - Nla	Tige De Vérin	Kolbenstange	Vástago Cilindro	
25	#ROD, PISTON	1	Rod, Piston	Rod, Piston	Rod, Piston	Rod, Piston	Ref. 24
26	#BUSHING	1	Bushing	Douille	Busche	Boccola	
27	3623373M91	1	Kit Seal	Jeu Etancheite	Dichtringsatz	Juego De Juntas	

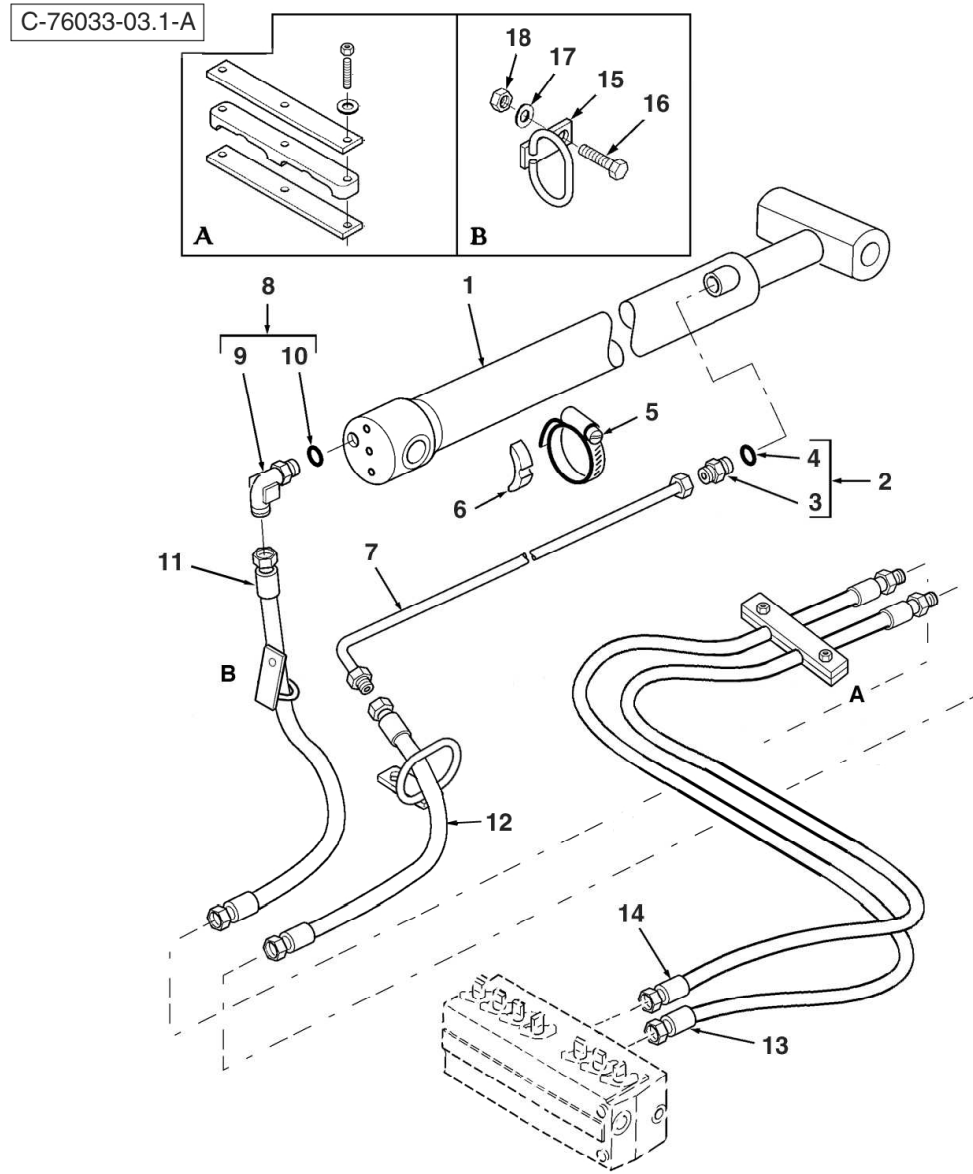


C-76033-02.2-A



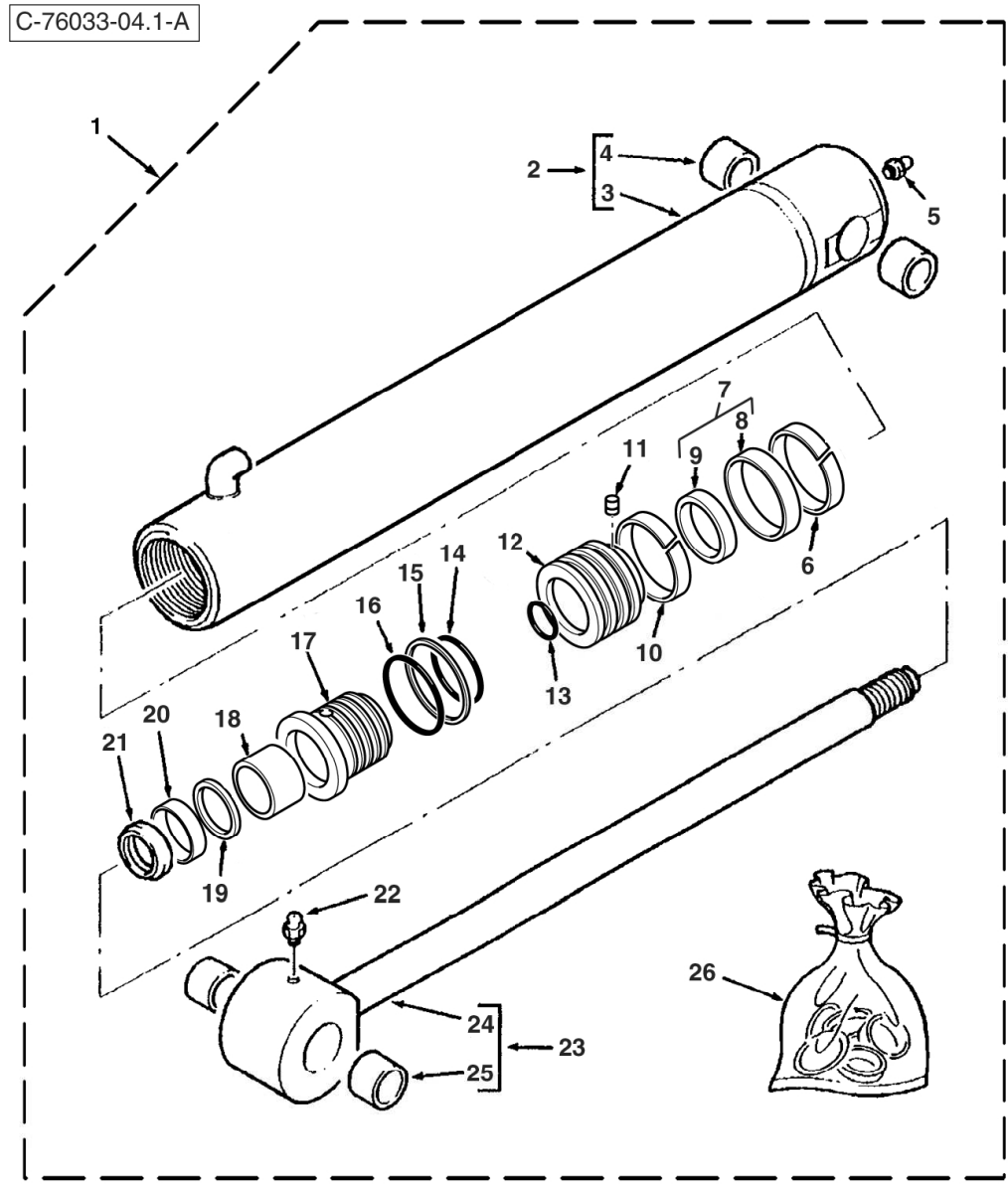
Item	Part No.	Qty.	English	French	German	Spanish	Remarks
1	6111070M91GY03	1	Cylinder- Digger Bucket	Cylindre	Zylinder	Gato, Conj.	Tba [76033c01.1 1]
2	6194629M91	1	Barrel - Cylinder	Corps Cylindre	Zylindergehäuse	Tubo	
3	#TUBE	1	Tube	Tube	Tube	Tube	Ref. 2
4	6194562M1	2	Bush	Douille	Büchse	Casquillo	
5	6194542M1	1	Nipple - Grease	Graisseur Coude	Nippel	Manguito, Engrasador	
6	6194634M1	1	Bearing - Piston	Coussinet	Lager	Teniendo - Pistón	
7	6194635M1	1	Seal - Piston	Joint Étanchéité	Dichtring	Junta	
8	6194636M1	1	O Ring (Std)	Joint Torique	O Ring	Junta De Tipo O	
9	6194634M1	1	Bearing - Piston	Coussinet	Lager	Teniendo - Pistón	
10	6194633M1	1	Set Screw - Hex Socket	Vis Tete Hex	Zylinderschraube	Tornillo De Ajuste	
11	6194631M1	1	Piston	Piston	Kolben	Pistón	
12	6194637M1	1	Ring - Piston	Segment Piston	Kolbenring	Segmento De Pistón	
13	6194625M1	1	Ring - Back Up	Contre Bague	Stutzring	ContraJunta	
14	6194624M1	1	O Ring (Std)	Joint Torique	O Ring	Junta De Tipo O	
15	6194541M1	1	Bush - Bimetal	Douille	Büchse	Juego De Anillos	
16	6194640M1	1	O Ring (Std)	Joint Torique	O Ring	Junta De Tipo O	
17	6194641M1	1	Ring - Back Up	Contre Bague	Stutzring	ContraJunta	
18	6194632M1	1	End Cover - Head	Couvercle	Deckel	Tapa	
19	6194638M1	1	Seal - Rod (Primary)	Joint Étanchéité	Dichtring	Junta	
20	6194639M1	1	Seal- Rod (Secondary)	Joint Étanchéité	Dichtring	Junta	
21	6194554M1	1	Wiper	Essuyeur	Wischer	Raspador, Escobilla	
22	6194630M91	1	Rod - Piston	Bielle De Piston	Pleuelstange	Rod - Pistón	
23	#ROD	1	Rod	Rod	Rod	Rod	Ref. 22
24	6194562M1	2	Bush	Douille	Büchse	Casquillo	
25	6194542M1	1	Nipple - Grease	Graisseur Coude	Nippel	Manguito, Engrasador	
26	6194642M91	0	Seal Kit	Jeu Etancheite	Dichtringsatz	Juego De Juntas	





Item	Part No.	Qty.	English	French	German	Spanish	Remarks
1	#CYLINDER ASSY	1	Cylinder Assy	Cylinder Assy	Cylinder Assy	Cylinder Assy	76033c04.1 1 76033c04.2 1
2	835013M91	1	Connector 7/8 Jic	Raccord	Schraubanschluss	Conexión, Conj.	
3	#UNION	1	Union	Union	Union	Union	Ref. 2
4	835024M1	1	Ring O - Boa	Joint Torique	O Ring	Junta De Tipo O	
5	3517733M1	1	Clamp Hose 130-150	Collier De Serrage	Schlauchbinder	Argolla De Cierre	
6	D142787	1	Saddle (See 142787d)	Selle	Sattel	Bloque De Caucho	
7	6111162M91	1	Tube Assembly - Dipper Cylinder	Tuyauterie	Rohrleitung Kplt	Conjunto De Tubería	Tba Wipro
7	6100976M92	1	Tube Assy. - Dipperstick Cylinder	Tuyauterie	Rohrleitung Kplt	Conjunto De Tubería	Tba Pacoma
8	6101624M91	1	Elbow 90deg-Long	Coude À 90°	Winkelstuck	Codo, 90°	
9	#ELBOW	1	Elbow	Elbow	Elbow	Elbow	Ref. 8
10	835024M1	1	Ring O - Boa	Joint Torique	O Ring	Junta De Tipo O	
11	6101738M91	1	Hose-Dipper Head	Flexible Ass.	Schlauch Kplt	Flexible, Conj.	Yellow
12	6101737M91	1	Hose-Dipper Rod	Flexible Ass.	Schlauch Kplt	Flexible, Conj.	Red
13	6108767M91	1	Hose-Ss Dipper HD	Flexible Ass.	Schlauch Kplt	Flexible, Conj.	Yellow
14	6108766M91	1	Hose-Ss Dipper Rod	Flexible Ass.	Schlauch Kplt	Flexible, Conj.	Red
15	6101491M92	2	Hose Hoop Assy	Ensemble De Support	Haltevorrichtung Kpl.	Apoyadero, Conj.	
16	339761X1	2	Bolt M8-25 Z5f	Goupille	Bolzen M8 X 25	Tornillo	
17	390972X1	2	Washer M8-17-1 Zwel	Rondelle M8	Scheibe - M8	Arandela	
18	394367X1	2	Nut, Hex. - Nyloc, M8	Ecrou Blocage M8	Flachmutter - M8	Tuerca De Retención	

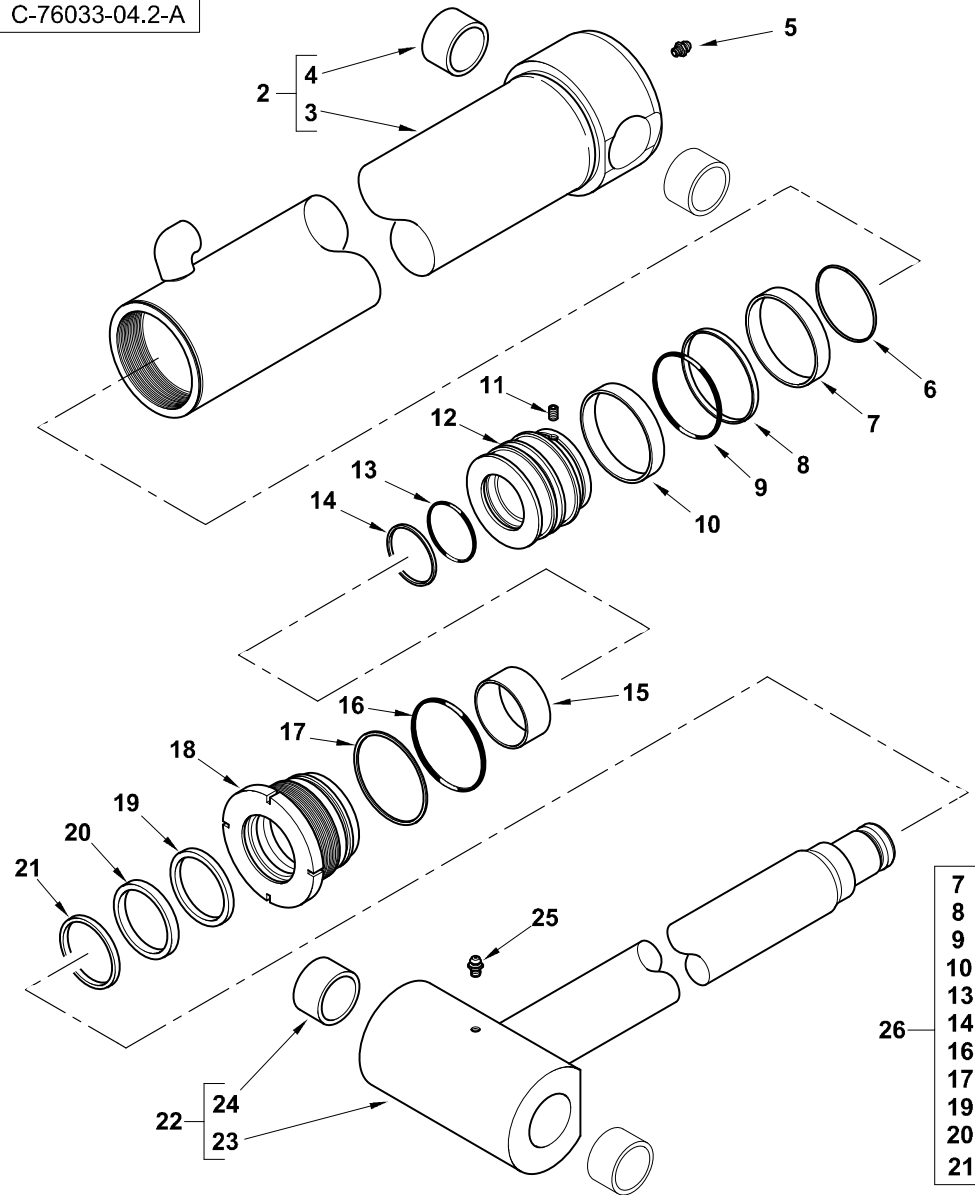




Item	Part No.	Qty.	English	French	German	Spanish	Remarks
1	5000124M91GY02	1	Cylinder Dipperstick (Benford Grey)	L´Hie Hydraulique	Zylinder Hydr.	Gato, Conj.	Tba [76033c03.1 1]
2	5003982M91	1	Barrel Assy. - Dipper Cylinder	Corps Cylindre	Zylindergehäuse	Cilindro	
3	#TUBE, CYLINDER	1	Tube, Cylinder	Tube, Cylindre	Tube, Cylinder	Tube, Cylinder	Ref. 2
4	3484843M1	1	Bush, Hydr. Cylinders	Douille	Buechse	Casquillo	
5	339608X1	1	Grease Nipple - M10 X 1 (Zinc)	Nipple De Graissage	Schmiernippel	Engrasador	
6	3485891M1	1	Guide Ring Piston	Anneau	Ring	Aro	
7	3485247M91	1	Seal Piston	Joint	Dichtung	Junta, Conj.	
8	#SEAL	1	Seal	Joint Étanchéité	Dichtring	Retén	Ref. 7
9	#RING	1	Ring	Anneau	Ring	Aro	Ref. 7
10	3485891M1	1	Guide Ring Piston	Anneau	Ring	Aro	
11	3402928M1	1	Screw, Socket Head - Piston Locating	Vis Tête Hex	Zylinderschraube	Tornillo	
12	5003989M1	1	Piston	Piston	Kolben	Pistón	
13	3007182X1	1	O-Ring	Joint Torique	O-Ring	Junta De Tipo O	
14	359196X1	1	O Ring	Joint Torique	O Ring	Junta De Tipo O	
15	378545X1	1	Ring - Backup	Contre Bague	Stutzring	Aro	
16	3487908M1	1	O Ring, Hydr. Cylinder	Joint Torique	O Ring	Junta De Tipo O	
17	5003988M1	1	Bearing Cylinder	Roulement	Lager	Cojinete	
18	3623193M1	1	Guide Ring	Anneau	Ring	Aro	
19	3443388M1	1	Ring - Back Up	Anneau	Ring	Aro	
20	3443472M1	1	Seal	Joint D´Arbre	Wellendichtring	Junta	
21	3403385M1	1	Wiper Ring	Joint De Racleur	Abstreifdichtung	Junta Raspador	
22	339608X1	1	Grease Nipple - M10 X 1 (Zinc)	Nipple De Graissage	Schmiernippel	Engrasador	
23	5003985M91	1	Piston Rod Assy	Tige De Vérin	Kolbenstange	Vástago Cilindro	
24	#ROD, PISTON	1	Rod, Piston	Rod, Piston	Rod, Piston	Rod, Piston	Ref. 23
25	3484843M1	1	Bush, Hydr. Cylinders	Douille	Buechse	Casquillo	
26	5004401M91	1	Kit Seal	Jeu Étanchéité	Dichtringsatz	Juego De Juntas	



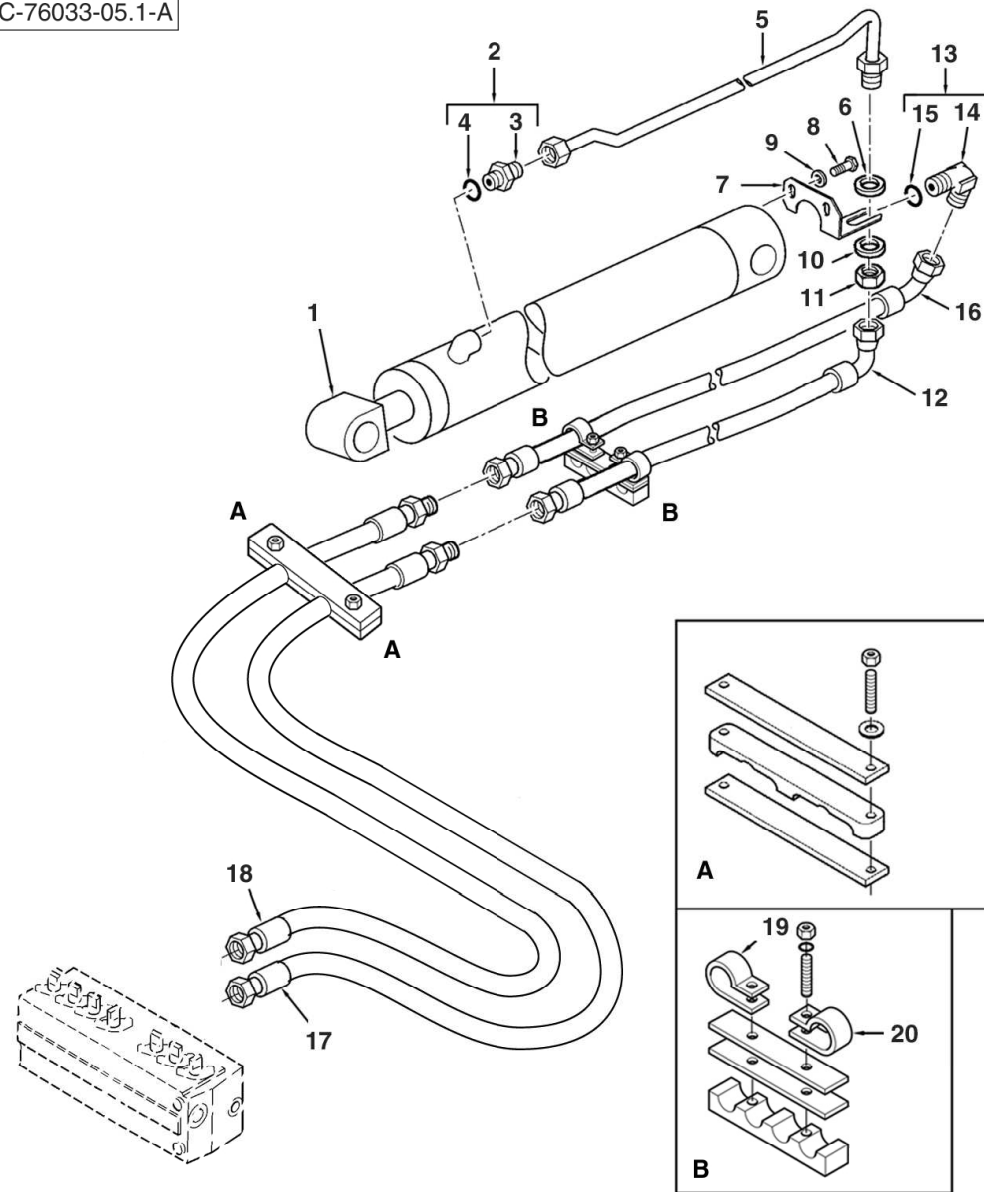
C-76033-04.2-A



Item	Part No.	Qty.	English	French	German	Spanish	Remarks
1	6111069M91GY03	1	Cylinder - Dipperstick	Cylindre	Zylinder	Gato, Conj.	Tba [76033c03.1 1]
2	6194615M91	1	Barrel - Cylinder	Corps Cylindre	Zylindergehäuse	Conjunto De Tubería	
3	#TUBE	1	Tube	Tube	Tube	Tube	Ref. 2
4	6194562M1	2	Bush	Douille	Büchse	Casquillo	
5	6194542M1	1	Nipple - Grease	Graisseur Coude	Nippel	Manguito, Engrasador	
6	6194620M1	1	Ring - Snap	Fermeoir	Sprengring	Anillo De Resorte	
7	6194621M1	1	Bearing - Piston	Coussinet	Lager	Teniendo - Pistón	
8	6194622M1	1	Seal - Piston	Joint Étanchéité	Dichtring	Junta	
9	6194623M1	1	O Ring (Std)	Joint Torique	O Ring	Junta De Tipo O	
10	6194621M1	1	Bearing - Piston	Coussinet	Lager	Teniendo - Pistón	
11	6194619M1	1	Set Screw	Vis	Schraube	Tornillo De Ajuste	
12	6194617M1	1	Piston	Piston	Kolben	Pistón	
13	6194624M1	1	O Ring (Std)	Joint Torique	O Ring	Junta De Tipo O	
14	6194625M1	1	Ring - Back Up	Contre Bague	Stutzring	ContraJunta	
15	6194565M1	1	Bush - Bimetal	Douille	Büchse	Juego De Anillos	
16	6194626M1	1	O Ring (Std)	Joint Torique	O Ring	Junta De Tipo O	
17	6194627M1	1	Ring - Back Up	Contre Bague	Stutzring	ContraJunta	
18	6194618M1	1	End Cover - Head	Couvercle	Deckel	Tapa	
19	6194575M1	1	Seal - Rod (Primary)	Joint Étanchéité	Dichtring	Junta	
20	6194576M1	1	Seal- Rod (Secondary)	Joint Étanchéité	Dichtring	Junta	
21	6194573M1	1	Wiper	Essuyeur	Wischer	Raspador, Escobilla	
22	6194616M91	1	Rod - Piston	Bielle De Piston	Pleuelstange	Rod - Pistón	
23	#ROD	1	Rod	Rod	Rod	Rod	Ref. 22
24	6194562M1	2	Bush	Douille	Büchse	Casquillo	
25	6194542M1	1	Nipple - Grease	Graisseur Coude	Nippel	Manguito, Engrasador	
26	6194628M91	0	Seal Kit	Jeu Etancheite	Dichtringsatz	Juego De Juntas	

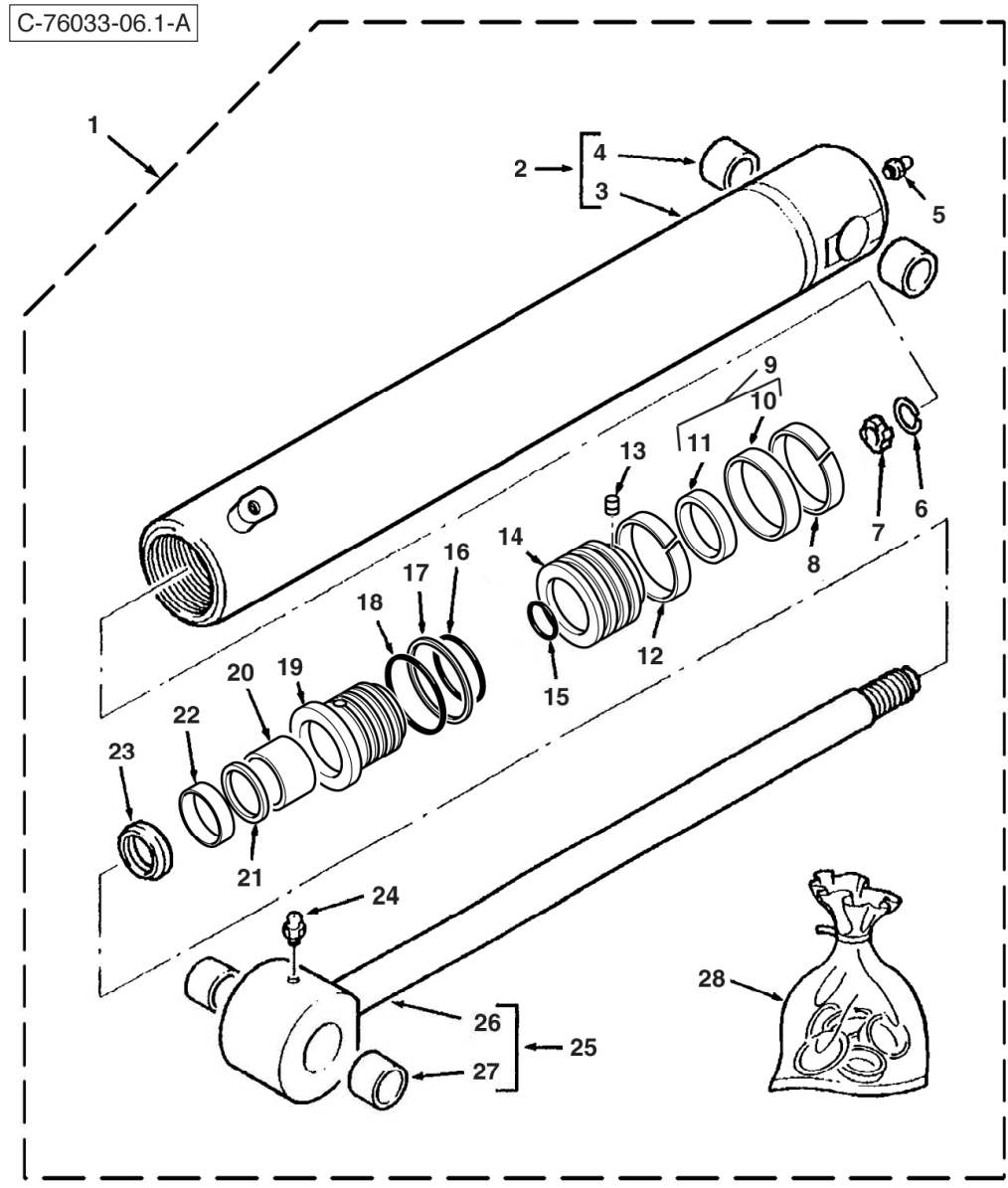


C-76033-05.1-A



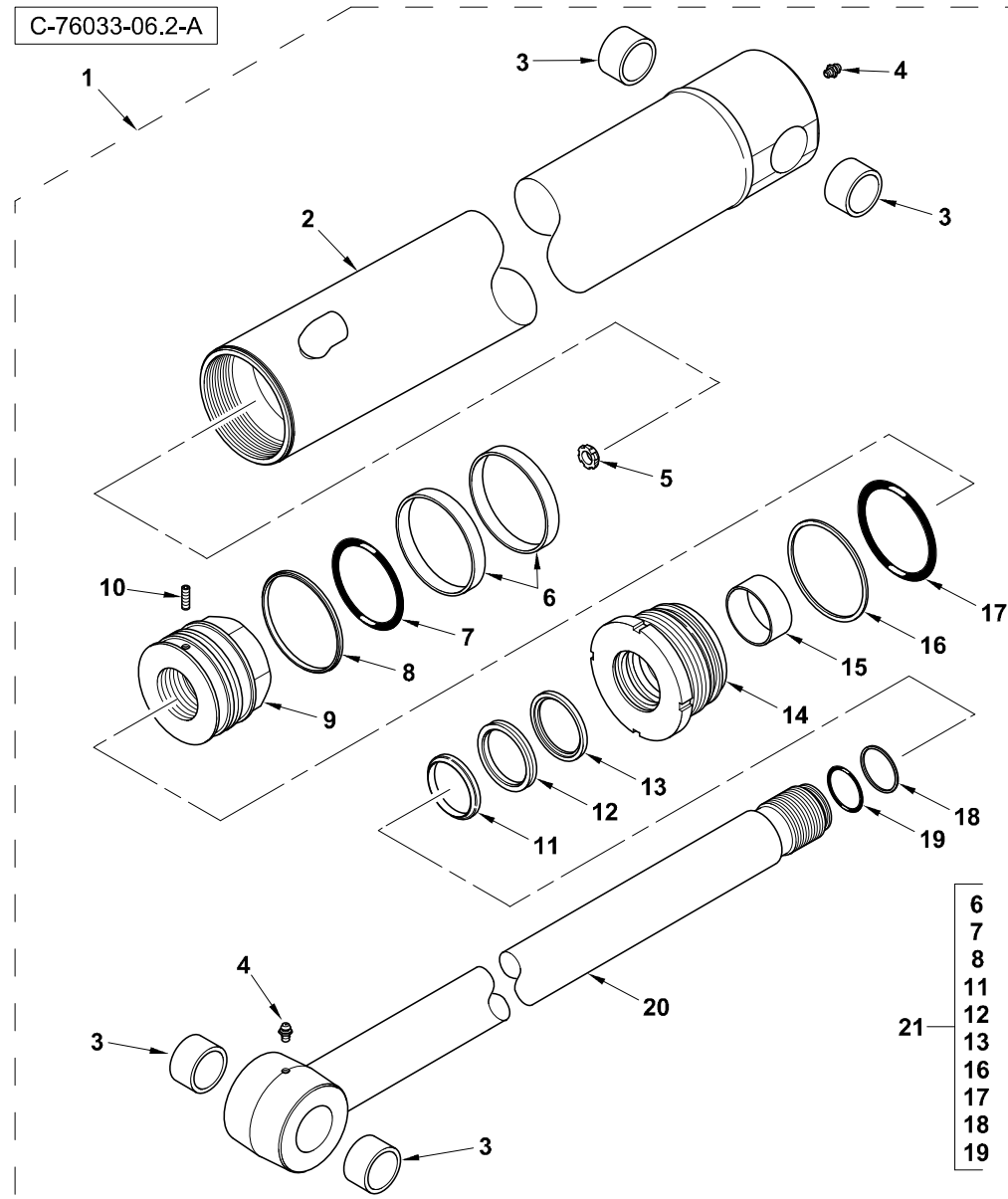
Item	Part No.	Qty.	English	French	German	Spanish	Remarks
1	6111078M91GY03	1	Cylinder Boom 4.5	Cylindre 4.5m	Zylinder 4.5m	Cilindro 4.5m	Wipro
1	5000122M91	1	Cylinder 4.5m B00m - Hi Spec	L' Hie Hydraulique	Zylinder Hydr.	Gato, Conj.	Pacoma
2	835013M91	1	Connector 7/8 Jic	Raccord	Schraubanschluss	Conexión, Conj.	
3	#UNION	1	Union	Union	Union	Union	Ref. 2
4	835024M1	1	Ring O - Boa	Joint Torique	O Ring	Junta De Tipo O	
5	6111166M91	1	Tube Assembly - Boom Cylinder 4.5m	Tuyauterie	Rohrleitung Kplt	Conjunto De Tubería	Wipro
5	6100855M91	1	Tube-Cylinder-4.5 Boom	Tuyauterie	Rohrleitung Kplt	Conjunto De Tubería	Pacoma
6	353763X1	1	Washer	Rondelle	Scheibe	Arandela	
7	6100883M1	1	Bracket-Cylinder-Boom	Patte Fixation	Halter	Pata De Fijación	
8	339228X1	2	Bolt, Hex. - M8 X 12 (Coarse)	Boulon M8 X 12	Maschschraube M8	Tornillo	
9	339374X1	2	Washer M8 -21-2 Z	Rondelle Frein - M8	Federring - M8	Arandela De Freno	
10	353763X1	1	Washer	Rondelle	Scheibe	Arandela	
11	355574X1	1	Nut, Hex. - 7/8" Unf, Lock	Ecrou 7/8" Unf	Mutter 7/8" Unf	Tuerca	
12	6101735M92	1	Hose-Boom Cyl Rod	Flexible Ass.	Schlauch Kplt	Flexible, Conj.	Orange
13	835007M91	1	Elbow 90 Degree Adjust	Coude 90°	Kniestück 90°	Codo, 90°	
14	#ELBOW	1	Elbow	Elbow	Elbow	Elbow	Ref. 13
15	835024M1	1	Ring O - Boa	Joint Torique	O Ring	Junta De Tipo O	
16	6101736M92	1	Hose, "Blue" - Boom Cylinder Feed	Flexible	Schlauch	Flexible, Conj.	Blue
17	6108761M91	1	Hose-Ss Boom Rod	Flexible Ass.	Schlauch Kplt	Flexible, Conj.	Orange
18	6108760M91	1	Hose-Ss Boom HD	Flexible Ass.	Schlauch Kplt	Flexible, Conj.	Blue
19	515-23270	1	Clip-Coated P	Clip	Klips	Clip	
20	515-23206	1	P Clip Bsr081hs	Bride Pour Tutaux	Schlauchschelle	Abrazadera De Manguera	





Item	Part No.	Qty.	English	French	German	Spanish	Remarks
1	5000122M91	1	Cylinder 4.5m B00m - Hi Spec	L´Hie Hydraulique	Zylinder Hydr.	Gato, Conj.	76033c05.1 1
2	5003912M91	1	Barrel Assy	Cylindre	Zylinder	Cilindro	
3	#TUBE, CYLINDER	1	Tube, Cylinder	Tube, Cylinder	Tube, Cylinder	Tube, Cylinder	Ref. 2
4	#BUSHING	2	Bushing	Douille	Busche	Boccola	
5	339608X1	1	Grease Nipple - M10 X 1 (Zinc)	Nipple De Graissage	Schmiernippel	Engrasador	
6	1609899M1	1	Snap Ring	Anneau D´Arrêt	Sprengring	Anillo De Resorte	
7	1609328M1	1	Ring Cushioning	Anneau	Ring	Aro	
8	3403852M1	2	Ring, Guide - Piston	Anneau	Ring	Aro	
9	3485213M91	1	Seal Piston	Joint	Dichtung	Junta, Conj.	
10	#SEAL	1	Seal	Joint Étanchéité	Dichtring	Retén	Ref. 9
11	#SEAL	1	Seal	Joint Étanchéité	Dichtring	Retén	Ref. 9
13	3402928M1	1	Screw, Socket Head - Piston Locating	Vis Tête Hex	Zylinderschraube	Tornillo	
14	3484189M1	1	Piston	Piston	Kolben	Pistón	
15	3007182X1	1	O-Ring	Joint Torique	O-Ring	Junta De Tipo O	
16	359203X1	1	O-Ring	Joint Torique	O-Ring	Junta De Tipo O	
17	367120X1	1	Back-Up Ring	Contre Bague	Stützring	Aro	
18	3487909M1	1	O-Ring	Joint Torique	O-Ring	Junta De Tipo O	
19	3623202M1	1	Bearing	Roulement	Lager	Cojinete	
20	3623193M1	1	Guide Ring	Anneau	Ring	Aro	
21	3443388M1	1	Ring - Back Up	Anneau	Ring	Aro	
22	3443472M1	1	Seal	Joint D´Arbre	Wellendichtring	Junta	
23	3403385M1	1	Wiper Ring	Joint De Racleur	Abstreifdichtung	Junta Raspador	
24	339608X1	1	Grease Nipple - M10 X 1 (Zinc)	Nipple De Graissage	Schmiernippel	Engrasador	
25	3441629M91	1	Piston Rod Assy	Tige De Vérin	Kolbenstange	Vástago Cilindro	
26	#ROD, PISTON	1	Rod, Piston	Rod, Piston	Rod, Piston	Rod, Piston	Ref. 25
27	3484843M1	1	Bush, Hydr. Cylinders	Douille	Buechse	Casquillo	

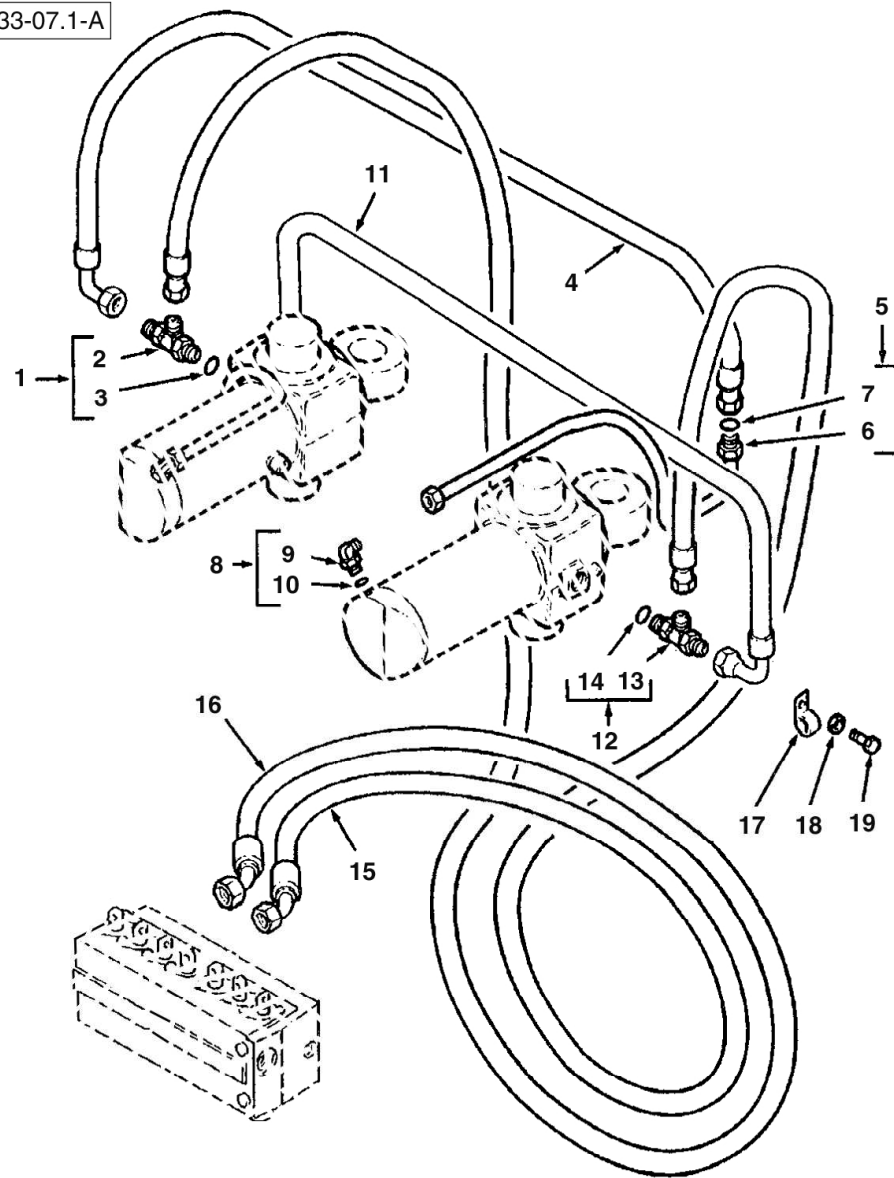




Item	Part No.	Qty.	English	French	German	Spanish	Remarks
1	6111078M91GY03	1	Cylinder Boom 4.5	Cylindre 4.5m	Zylinder 4.5m	Cilindro 4.5m	
2	6195249M91GY03	1	Tube - S/A (Terex Grey)	Tube - S/A (Terex Grey)	Tube - S/A (Terex Grey)	Tube - S/A (Terex Grey)	
3	6195253M1	4	Bush	Douille	Buchse	Casquillo	
4	6195255M1	2	Grease Nipple	Grease Nipple	Grease Nipple	Grease Nipple	
5	6195235M1	1	Ring - Cushion	Ring - Cushion	Ring - Cushion	Ring - Cushion	
6	6195259M1	2	Bearing - Piston	Bearing - Piston	Bearing - Piston	Bearing - Piston	
7	6195258M1	1	O - Ring	O - Ring	O - Ring	O - Ring	
8	6195257M1	1	Seal - Piston	Seal - Piston	Seal - Piston	Seal - Piston	
9	6195251M1	1	Piston	Piston	Piston	Piston	
10	6195254M1	1	Set Screw - Hex. Socket	Set Screw - Hex. Socket	Set Screw - Hex. Socket	Set Screw - Hex. Socket	
11	6194573M1	1	Wiper	Essuyeur	Wischer	Raspador, Escobilla	
12	6195262M1	1	Seal - Rod (Secondary)	Seal - Rod (Secondary)	Seal - Rod (Secondary)	Seal - Rod (Secondary)	
13	6194575M1	1	Seal - Rod (Primary)	Joint Étanchéité	Dichtring	Junta	
14	6195252M1	1	Cover - H.E.	Cover - H.E.	Cover - H.E.	Cover - H.E.	
15	6195256M1	1	Bush - Bimetal	Bush - Bimetal	Bush - Bimetal	Bush - Bimetal	
16	6195261M1	1	Ring - Back Up	Ring - Back Up	Ring - Back Up	Ring - Back Up	
17	6195260M1	1	O - Ring	O - Ring	O - Ring	O - Ring	
18	6194570M1	1	Ring - Back Up	Contre Bague	Stutzring	ContraJunta	
19	6195247M1	1	O - Ring	O - Ring	O - Ring	O - Ring	
20	6195250M91	1	Piston Rod - S/A	Piston Rod - S/A	Piston Rod - S/A	Piston Rod - S/A	
21	6195263M91	1	Seal Kit	Jeu Etancheite	Dichtringsatz	Juego Retenes	



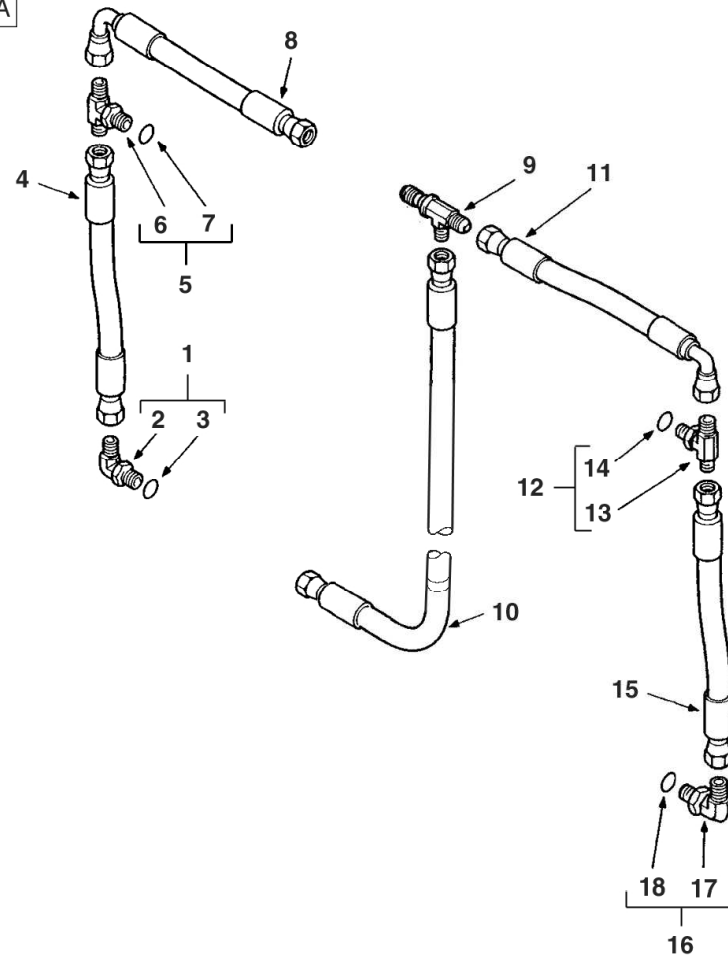
C-76033-07.1-A



Item	Part No.	Qty.	English	French	German	Spanish	Remarks
1	358728X91	1	Tee	Te	T-Stück	Te	
2	#TEE	1	Tee	Tee	Tee	Tee	Ref. 1
3	831497M1	1	O-Ring	Joint Torique	O-Ring	Junta De Tipo O	
4	6100716M91	1	Hose Slew Trsfr	Flexible Ass.	Schlauch Kplt	Flexible, Conj.	
5	6111175M92	1	Tube Assy Slew	Ensemble Tube	Rohr Kpl	Conj.De Tubo	RH Wipro
5	6111174M92	1	Tube Assy Slew	Ensemble Tube	Rohr Kpl	Conj. De Tubo	LH Wipro
5	6100587M91	1	Tube Slew Trsf LH	Tuyauterie	Rohrleitung Kplt	Conjunto De Tubería	Pacoma
5	6100589M91	1	Tube Slew Trsf RH	Tuyauterie	Rohrleitung Kplt	Conjunto De Tubería	Pacoma
6	#TUBE	1	Tube	Tube	Tube	Tube	Ref. 5
7	394923X1	1	O Ring	Joint Torique	O Ring	Junta De Tipo O	
8	357197X91	2	Elbow & O Ring	Coude	Kniestück, 90°	Codo, 90°	
9	#ELBOW	1	Elbow	Elbow	Elbow	Elbow	Ref. 8
10	831452M1	1	O Ring (Pack Of 10)	Joint Torique	O Ring	Junta De Tipo O	
11	6100716M91	1	Hose Slew Trsfr	Flexible Ass.	Schlauch Kplt	Flexible, Conj.	
12	358728X91	1	Tee	Te	T-Stück	Te	
13	#TEE	1	Tee	Tee	Tee	Tee	Ref. 12
14	831497M1	1	O-Ring	Joint Torique	O-Ring	Junta De Tipo O	
15	6107456M91	1	Hose-Iso Ss LH Swing	Flexible Ass.	Schlauch Kplt	Flexible, Conj.	
16	6107455M91	1	Hose-Iso Ss RH Swing	Flexible Ass.	Schlauch Kplt	Flexible, Conj.	
17	3517114M2	2	P - Clip	Collier De Fixation	Befestigungsschelle	Argolla De Fijación	
18	385361X1	2	Washer M8 Hardened	Rondelle M8	Scheibe M8	Arandela	
19	339228X1	2	Bolt, Hex. - M8 X 12 (Coarse)	Boulon M8 X 12	Maschschraube M8	Tornillo	



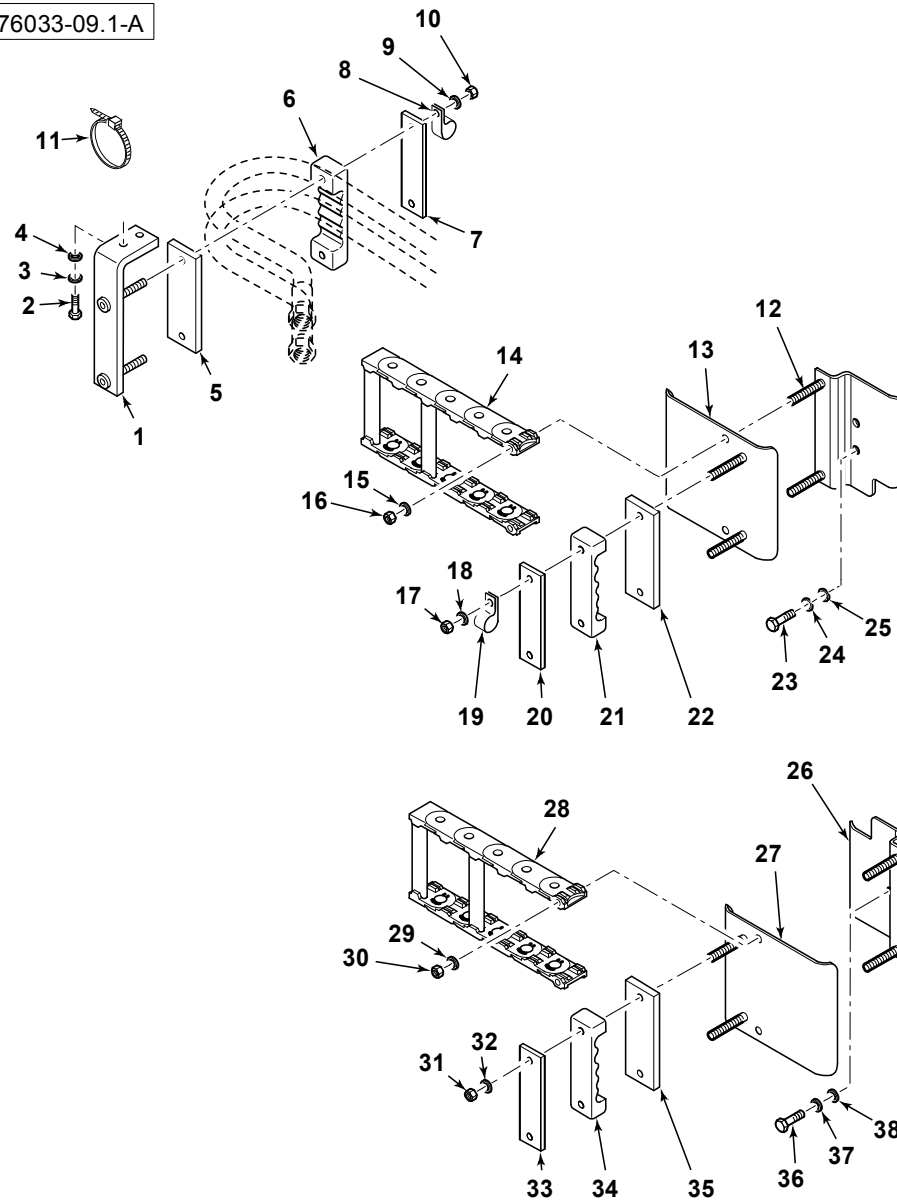
C-76033-08.1-A



Item	Part No.	Qty.	English	French	German	Spanish	Remarks
1	358761X91	1	Elbow 90 Deg	Coude, 90	Kniestück, 90	Codo, 90°	
2	#ELBOW	1	Elbow	Elbow	Elbow	Elbow	Ref. 1
3	831496M1	1	O-Ring	Joint Torique	O-Ring	Junta De Tipo O	
4	3521882M94	1	Hose-Clamp Elbow/Tee	Flexible Ass.	Schlauch Kplt	Flexible, Conj.	
5	358827X91	1	Tee 1/2 Sae 1/2 Jic	Te	T-Stück	Te	
6	#TEE	1	Tee	Tee	Tee	Tee	Ref. 5
7	831496M1	1	O-Ring	Joint Torique	O-Ring	Junta De Tipo O	
8	3521878M93	1	Hose Sleeved	Flexible Ass.	Schlauch Kplt	Flexible, Conj.	
9	356558X1	1	Tee 7/16 Male	Te	T-Stück	Te	
10	6110207M91	1	Hose Assembly - Clamp	Ensemble De Flexible	Schlauch Kpl.	Flexible, Conj.	
11	3521878M93	1	Hose Sleeved	Flexible Ass.	Schlauch Kplt	Flexible, Conj.	
12	358827X91	1	Tee 1/2 Sae 1/2 Jic	Te	T-Stück	Te	
13	#TEE	1	Tee	Tee	Tee	Tee	Ref. 12
14	831496M1	1	O-Ring	Joint Torique	O-Ring	Junta De Tipo O	
15	3521882M94	1	Hose-Clamp Elbow/Tee	Flexible Ass.	Schlauch Kplt	Flexible, Conj.	
16	358761X91	1	Elbow 90 Deg	Coude, 90	Kniestück, 90	Codo, 90°	
17	#ELBOW	1	Elbow	Elbow	Elbow	Elbow	Ref. 16
18	831496M1	1	O-Ring	Joint Torique	O-Ring	Junta De Tipo O	



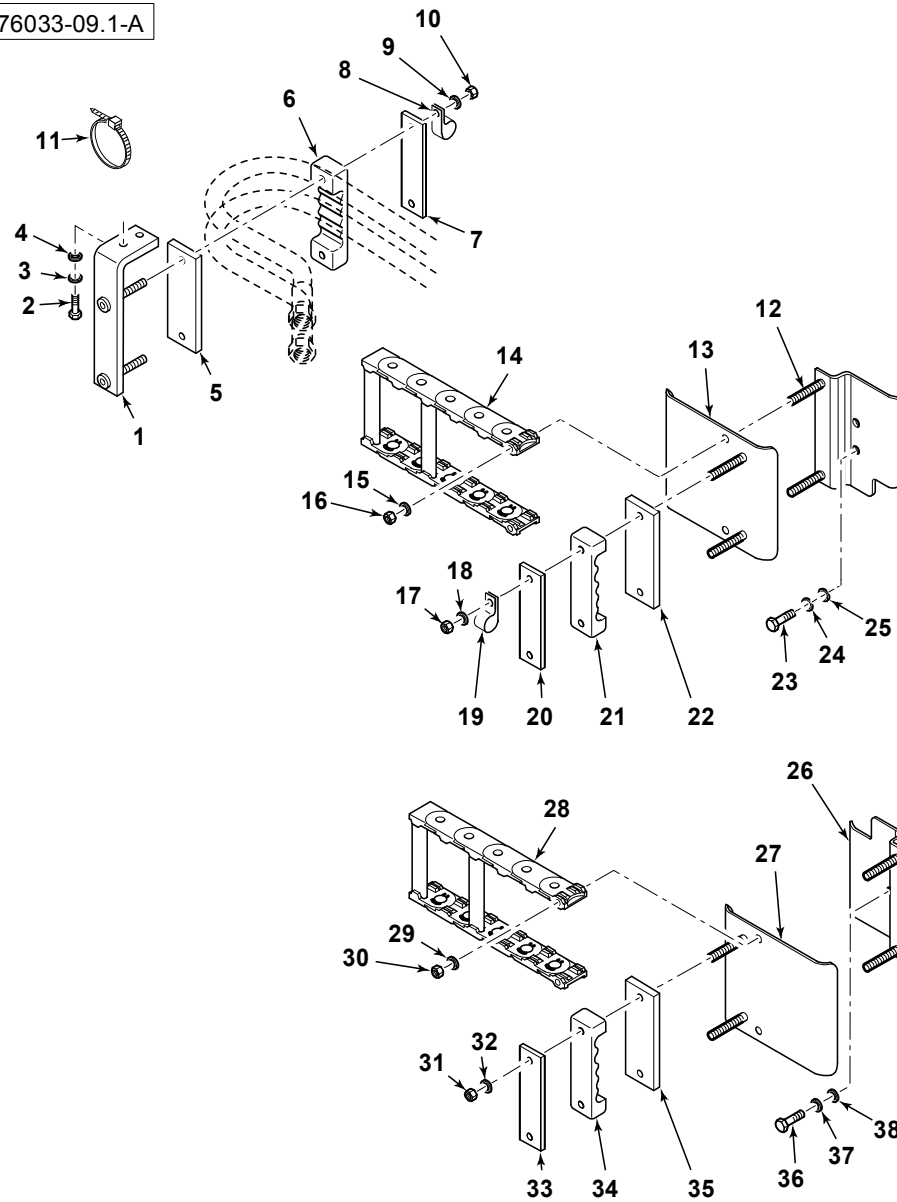
C-76033-09.1-A



Item	Part No.	Qty.	English	French	German	Spanish	Remarks
1	6107934M91	2	Bracket-Clamp	Patte Fixation	Halter	Brida De Fijación	
2	339761X1	4	Bolt M8-25 Z5f	Goupille	Bolzen M8 X 25	Tornillo	
3	390972X1	4	Washer M8-17-1 Zwel	Rondelle M8	Scheibe - M8	Arandela	
4	339374X1	4	Washer M8 -21-2 Z	Rondelle Frein - M8	Federring - M8	Arandela De Freno	
5	6102197M1	2	Pad-Neoprene	Plaque De Caoutchouc	Gummiplatte	Placa, Caucho	
6	6101859M1	1	Clamp-Rh Hose	Collier De Serrage	Schlauchbinder	Argolla De Cierre	
6	6101216M1	1	Clamp-Lh Hose	Collier De Serrage	Schlauchbinder	Argolla De Cierre	
7	6101215M1	2	Plate - Clamp	Plaque	Platte	Placa	
8	515-22159	1	Clip-Coated P	Collier De Serrage	Klemme	Argolla De Fijación	
9	390972X1	4	Washer M8-17-1 Zwel	Rondelle M8	Scheibe - M8	Arandela	
10	394367X1	4	Nut, Hex. - Nyloc, M8	Ecrou Blocage M8	Flachmutter - M8	Tuerca De Retención	
11	1862425M1	1	Tie 385mm T50I	Attache Cable	Kabelbinder	Enlace De Cable	
12	6102307M91	1	Bracket-Rh-W/Assy	Patte Fixation	Halter	Brida De Fijación	
13	6101424M91	1	Plate, Support - Digger Hoses	Ensemble De Plaque	Platte Kpl.	Placa, Conj.	
14	6102199M92	1	Hose Guide - Plastic Chain	Chaîne	Kette	Cadena	
15	390971X1	2	Washer M6-12-1 Zwel	Rondelle - M6	Scheibe - M6	Arandela	
16	1441500X1	2	Nut M6 Z5 Nyloc	Ecrou	Flachmutter M6	Tuerca De Retención	
17	394367X1	2	Nut, Hex. - Nyloc, M8	Ecrou Blocage M8	Flachmutter - M8	Tuerca De Retención	
18	390972X1	2	Washer M8-17-1 Zwel	Rondelle M8	Scheibe - M8	Arandela	
19	515-22159	1	Clip-Coated P	Collier De Serrage	Klemme	Argolla De Fijación	
20	6101215M1	1	Plate - Clamp	Plaque	Platte	Placa	
21	6101859M1	1	Clamp-Rh Hose	Collier De Serrage	Schlauchbinder	Argolla De Cierre	
22	6102197M1	1	Pad-Neoprene	Plaque De Caoutchouc	Gummiplatte	Placa, Caucho	
23	3009492X1	2	Bolt - Hex. M10 X 25	Boulon M10 X 25	Schraube M10 X 25	Tornillo	
24	339376X1	2	Washer M10-18-2 Zsp	Rondelle Frein	Federring	Arandela De Freno	
25	390734X1	2	Washer M10-21-2 Z	Rondelle - M10	Unterlegscheibe	Arandela	
26	6102308M91	1	Bracket-Lh-W/Assy	Patte Fixation	Halter	Brida De Fijación	
27	6101424M91	1	Plate, Support - Digger Hoses	Ensemble De Plaque	Platte Kpl.	Placa, Conj.	
28	6102199M92	1	Hose Guide - Plastic Chain	Chaîne	Kette	Cadena	
29	390971X1	2	Washer M6-12-1 Zwel	Rondelle - M6	Scheibe - M6	Arandela	

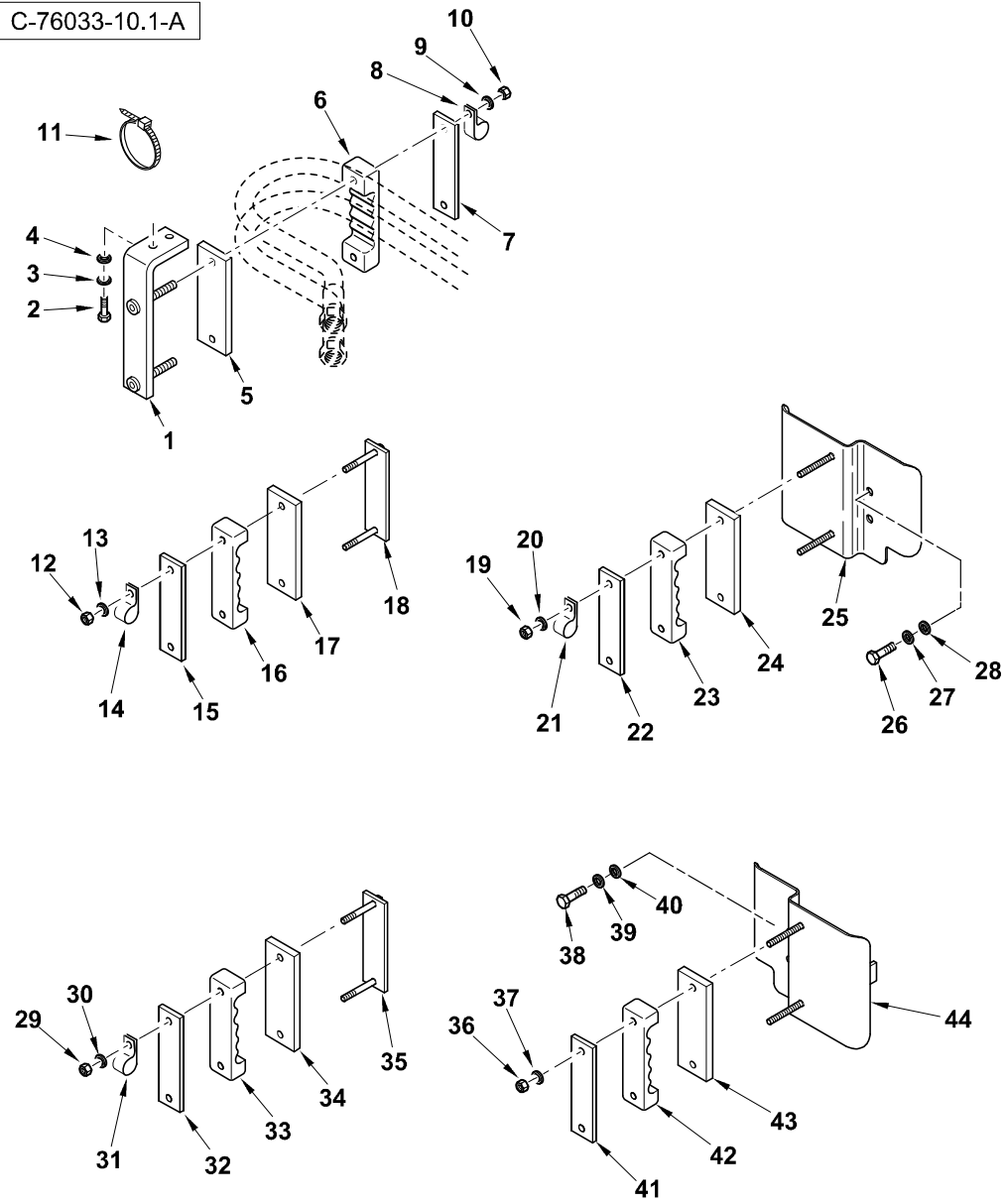


C-76033-09.1-A



Item	Part No.	Qty.	English	French	German	Spanish	Remarks
30	1441500X1	2	Nut M6 Z5 Nyloc	Ecrou	Flachmutter M6	Tuerca De Retención	
31	394367X1	2	Nut, Hex. - Nyloc, M8	Ecrou Blocage M8	Flachmutter - M8	Tuerca De Retención	
32	390972X1	2	Washer M8-17-1 Zwl	Rondelle M8	Scheibe - M8	Arandela	
33	6101215M1	1	Plate - Clamp	Plaque	Platte	Placa	
34	6101216M1	1	Clamp-Lh Hose	Collier De Serrage	Schlauchbinder	Argolla De Cierre	
35	6102197M1	1	Pad-Neoprene	Plaque De Caoutchouc	Gummiplatte	Placa, Caucho	
36	3009492X1	2	Bolt - Hex. M10 X 25	Boulon M10 X 25	Schraube M10 X 25	Tornillo	
37	339376X1	2	Washer M10-18-2 Zsp	Rondelle Frein	Federring	Arandela De Freno	
38	390734X1	2	Washer M10-21-2 Z	Rondelle - M10	Unterlegscheibe	Arandela	

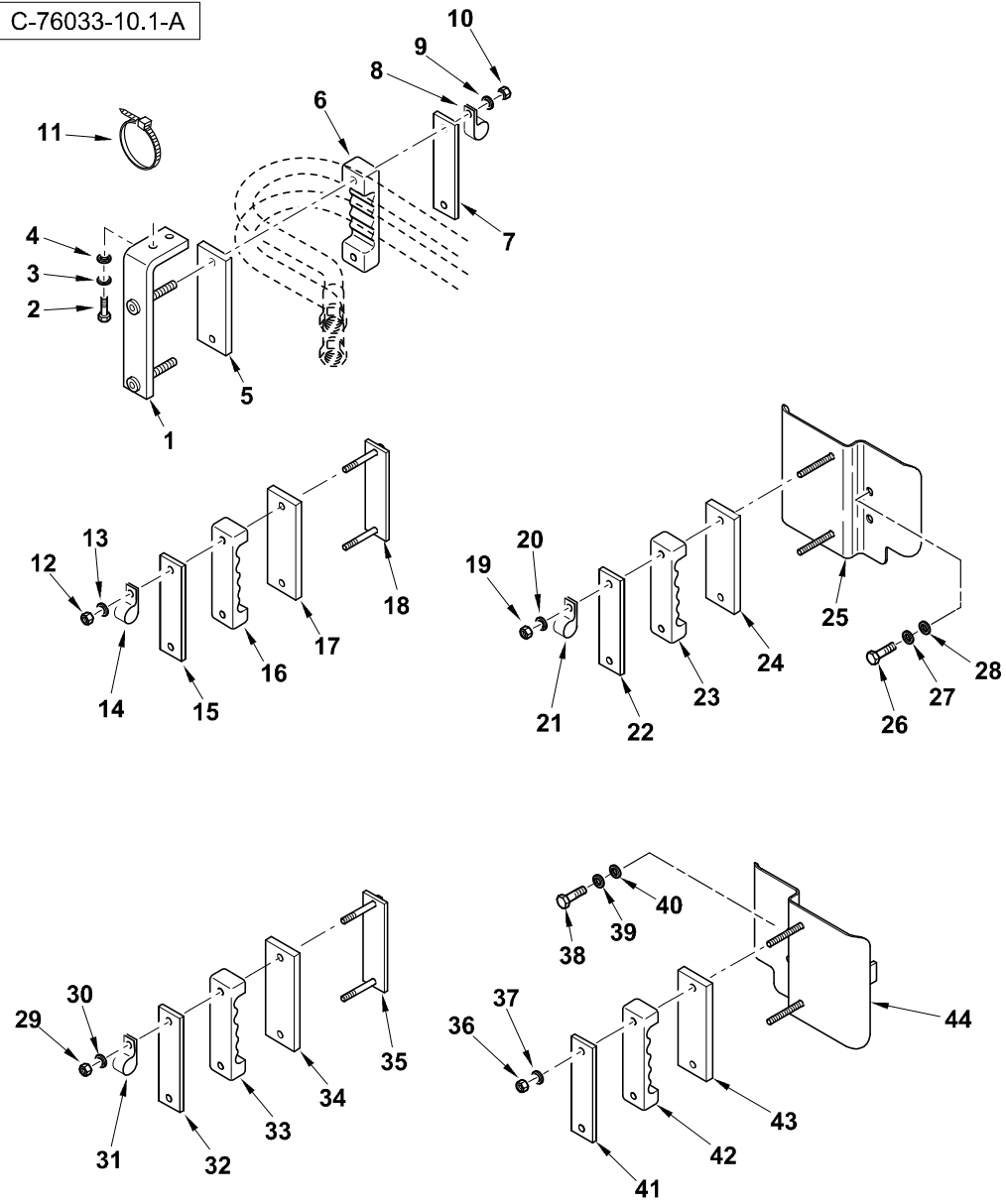
C-76033-10.1-A



Item	Part No.	Qty.	English	French	German	Spanish	Remarks
1	6107934M91	2	Bracket-Clamp	Patte Fixation	Halter	Brida De Fijación	
2	339761X1	4	Bolt M8-25 Z5f	Goupille	Bolzen M8 X 25	Tornillo	
3	390972X1	4	Washer M8-17-1 Zwl	Rondelle M8	Scheibe - M8	Arandela	
4	339374X1	4	Washer M8 -21-2 Z	Rondelle Frein - M8	Federring - M8	Arandela De Freno	
5	6102197M1	2	Pad-Neoprene	Plaque De Caoutchouc	Gummiplatte	Placa, Caucho	
6	6101859M1	1	Clamp-Rh Hose	Collier De Serrage	Schlauchbinder	Argolla De Cierre	
6	6101216M1	1	Clamp-Lh Hose	Collier De Serrage	Schlauchbinder	Argolla De Cierre	
7	6101215M1	2	Plate - Clamp	Plaque	Platte	Placa	
8	515-22159	1	Clip-Coated P	Collier De Serrage	Klemme	Argolla De Fijación	
9	390972X1	4	Washer M8-17-1 Zwl	Rondelle M8	Scheibe - M8	Arandela	
10	394367X1	4	Nut, Hex. - Nyloc, M8	Ecrou Blocage M8	Flachmutter - M8	Tuerca De Retención	
11	1862425M1	1	Tie 385mm T50I	Attache Cable	Kabelbinder	Enlace De Cable	
12	394367X1	2	Nut, Hex. - Nyloc, M8	Ecrou Blocage M8	Flachmutter - M8	Tuerca De Retención	
13	390972X1	2	Washer M8-17-1 Zwl	Rondelle M8	Scheibe - M8	Arandela	
14	515-22159	1	Clip-Coated P	Collier De Serrage	Klemme	Argolla De Fijación	
15	6101215M1	1	Plate - Clamp	Plaque	Platte	Placa	
16	6101859M1	1	Clamp-Rh Hose	Collier De Serrage	Schlauchbinder	Argolla De Cierre	
17	6102197M1	1	Pad-Neoprene	Plaque De Caoutchouc	Gummiplatte	Placa, Caucho	
18	6111437M91	1	Clamp - Hose Plate Assy.	Collier	Halteschelle	Placa, Conj.	
19	394367X1	2	Nut, Hex. - Nyloc, M8	Ecrou Blocage M8	Flachmutter - M8	Tuerca De Retención	
20	390972X1	2	Washer M8-17-1 Zwl	Rondelle M8	Scheibe - M8	Arandela	
21	515-22159	1	Clip-Coated P	Collier De Serrage	Klemme	Argolla De Fijación	
22	6101215M1	1	Plate - Clamp	Plaque	Platte	Placa	
23	6101859M1	1	Clamp-Rh Hose	Collier De Serrage	Schlauchbinder	Argolla De Cierre	
24	6102197M1	1	Pad-Neoprene	Plaque De Caoutchouc	Gummiplatte	Placa, Caucho	
25	6111548M91	1	Bracket- Hose Clamp RH W/A	Support Fixation	Haltearm	Cuchara, Conj.	
26	3009492X1	2	Bolt - Hex. M10 X 25	Boulon M10 X 25	Schraube M10 X 25	Tornillo	
27	339376X1	2	Washer M10-18-2 Zsp	Rondelle Frein	Federring	Arandela De Freno	
28	390734X1	2	Washer M10-21-2 Z	Rondelle - M10	Unterlegscheibe	Arandela	
29	394367X1	2	Nut, Hex. - Nyloc, M8	Ecrou Blocage M8	Flachmutter - M8	Tuerca De Retención	



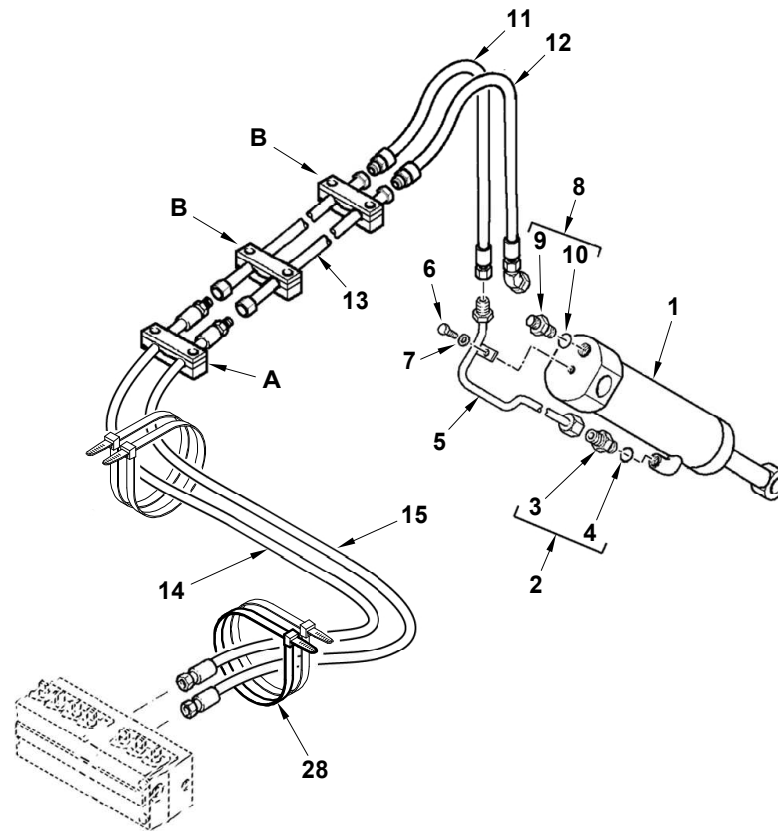
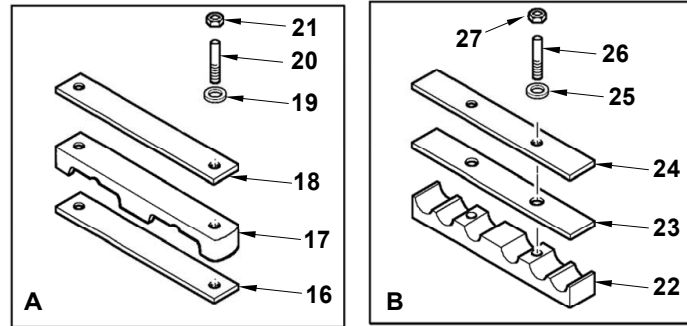
C-76033-10.1-A



Item	Part No.	Qty.	English	French	German	Spanish	Remarks
30	390972X1	2	Washer M8-17-1 Zwl	Rondelle M8	Scheibe - M8	Arandela	
31	515-22159	1	Clip-Coated P	Collier De Serrage	Klemme	Argolla De Fijación	
32	6101215M1	1	Plate - Clamp	Plaque	Platte	Placa	
33	6101216M1	1	Clamp-Lh Hose	Collier De Serrage	Schlauchbinder	Argolla De Cierre	
34	6102197M1	1	Pad-Neoprene	Plaque De Caoutchouc	Gummiplatte	Placa, Caucho	
35	6111437M91	1	Clamp - Hose Plate Assy.	Collier	Halteschelle	Placa, Conj.	
36	394367X1	2	Nut, Hex. - Nyloc, M8	Ecrou Blocage M8	Flachmutter - M8	Tuerca De Retención	
37	390972X1	2	Washer M8-17-1 Zwl	Rondelle M8	Scheibe - M8	Arandela	
38	3009492X1	2	Bolt - Hex. M10 X 25	Boulon M10 X 25	Schraube M10 X 25	Tornillo	
39	339376X1	2	Washer M10-18-2 Zsp	Rondelle Frein	Federring	Arandela De Freno	
40	390734X1	2	Washer M10-21-2 Z	Rondelle - M10	Unterlegscheibe	Arandela	
41	6101215M1	1	Plate - Clamp	Plaque	Platte	Placa	
42	6101216M1	1	Clamp-Lh Hose	Collier De Serrage	Schlauchbinder	Argolla De Cierre	
43	6102197M1	1	Pad-Neoprene	Plaque De Caoutchouc	Gummiplatte	Placa, Caucho	
44	6111551M91	1	Bracket- Hose Clamp LH W/A	Support Fixation	Haltearm	Cuchara, Conj.	



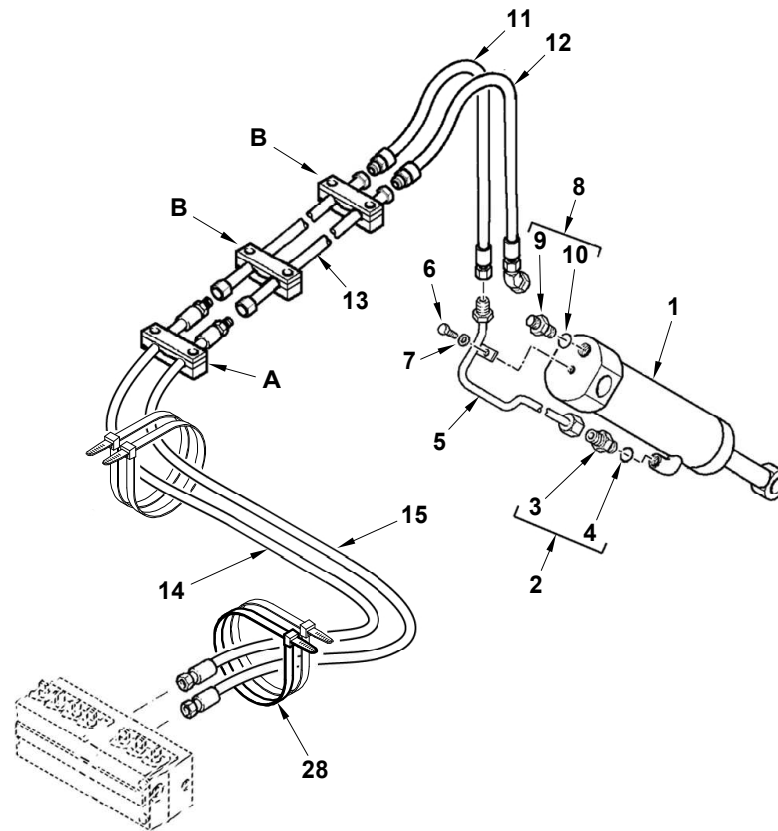
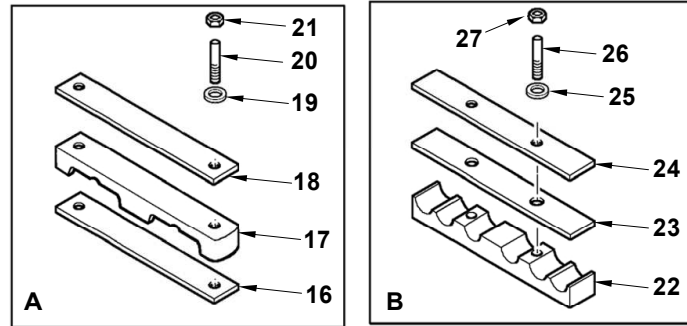
C-76036-01.1-B



Item	Part No.	Qty.	English	French	German	Spanish	Remarks
1	#CYLINDER ASSY	1	Cylinder Assy	Cylinder Assy	Cylinder Assy	Cylinder Assy	76036c02.1 1 76036c02.2 1
2	835013M91	1	Connector 7/8 Jic	Raccord	Schraubanschluss	Conexión, Conj.	
3	#UNION	1	Union	Union	Union	Union	Ref. 2
4	835024M1	1	Ring O - Boa	Joint Torique	O Ring	Junta De Tipo O	
5	6101540M91	1	Tube Assy Bucket	Tuyauterie	Rohrleitung Kplt	Conjunto De Tubería	Tba Pacoma
5	6111161M91	1	Tube Assembly - Digger Bucket Cylinder	Tuyauterie	Rohrleitung Kplt	Conjunto De Tubería	Tba Wipro
6	339123X1	1	Bolt M8-20 Z5f	Boulon M8 X 20	Maschschraube M8	Perno	
7	385361X1	1	Washer M8 Hardened	Rondelle M8	Scheibe M8	Arandela	
8	835013M91	1	Connector 7/8 Jic	Raccord	Schraubanschluss	Conexión, Conj.	
9	#UNION	1	Union	Union	Union	Union	Ref. 8
10	835024M1	1	Ring O - Boa	Joint Torique	O Ring	Junta De Tipo O	
11	6102309M91	1	Hose-Bucket Rod-Std	Flexible Ass.	Schlauch Kplt	Flexible, Conj.	Brown
12	6107024M91	1	Hose-Bucket HD Std	Flexible Ass.	Schlauch Kplt	Flexible, Conj.	White
13	6111137M91	2	Tube Assy - Bkt 4.5m Boom	Ensemble Tube	Rohr Kpl	Conjunto De Tubería	Ec05/328
13	6101771M91	2	Tube-Bucket-4.5m Boom	Tuyauterie	Rohrleitung Kplt	Conjunto De Tubería	Ec05/328
14	6108762M91	1	Hose-Ss Bucket Rod	Flexible Ass.	Schlauch Kplt	Flexible, Conj.	Brown Ec05/328
14	6111141M91	1	Hose Assy - Bucket Rod (Brown S/Shift)	Ensemble Durit	Schlauch Kpl	Flexible, Conj.	Brown Ec05/328
15	6108763M91	1	Hose-Ss Bucket HD	Flexible Ass.	Schlauch Kplt	Flexible, Conj.	White Ec05/328
15	6111142M91	1	Hose Assy - Bucket HD (White S/Shift)	Ensemble Durit	Schlauch Kpl	Flexible, Conj.	White Ec05/328
16	6102128M1	1	Pad-Neoprene	Plaque Antidérapante	Zwischenlage	Cinta Antideslizante	
17	6102122M1	1	Clamp	Collier De Serrage	Klemme	Brida De Fijación	
18	6102130M1	1	Plate-Clamp	Plaque	Platte	Placa	
19	390972X1	2	Washer M8-17-1 Zwl	Rondelle M8	Scheibe - M8	Arandela	
20	3516075M1	2	Stud M8-65 Z5	Goujon	Stehbolzen	Espárrago	
21	394367X1	2	Nut, Hex. - Nyloc, M8	Ecrou Blocage M8	Flachmutter - M8	Tuerca De Retención	
22	6102126M1	2	Clamp	Collier De Serrage	Klemme	Brida De Fijación	
23	6102145M1	2	Pad-Neoprene	Plaque Antidérapante	Zwischenlage	Cinta Antideslizante	
24	6102124M1	2	Plate-Top	Plaque	Platte	Placa	
25	390972X1	4	Washer M8-17-1 Zwl	Rondelle M8	Scheibe - M8	Arandela	
26	6108049M1	4	Stud M8	Goujon	Stehbolzen	Espárrago	

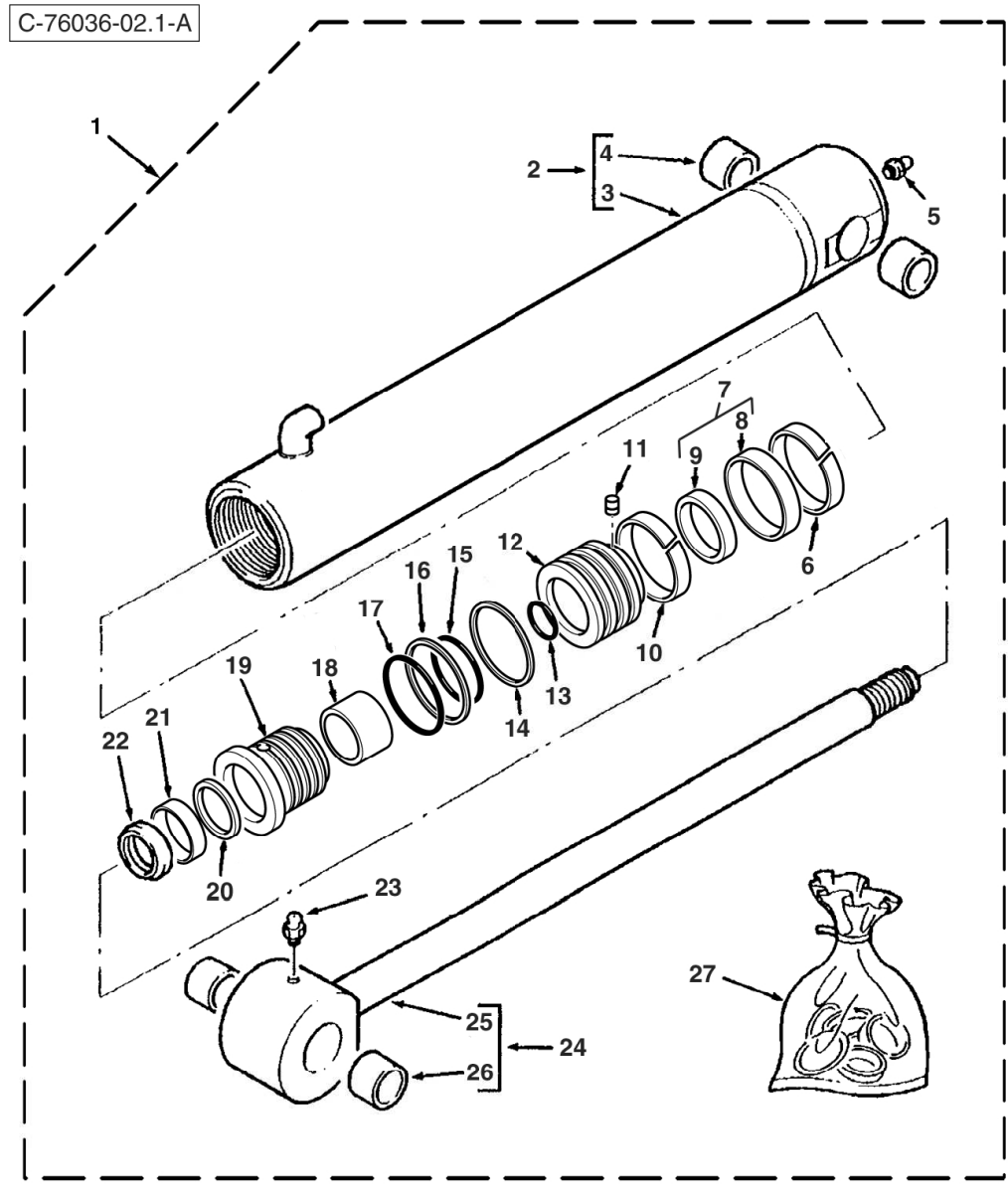


C-76036-01.1-B



Item	Part No.	Qty.	English	French	German	Spanish	Remarks
27	394367X1	4	Nut, Hex. - Nyloc, M8	Ecrou Blocage M8	Flachmutter - M8	Tuerca De Retención	
28	8000-1379	4	Tie Wrap (530 X 13mm)	Bride	Buegel	Banda	

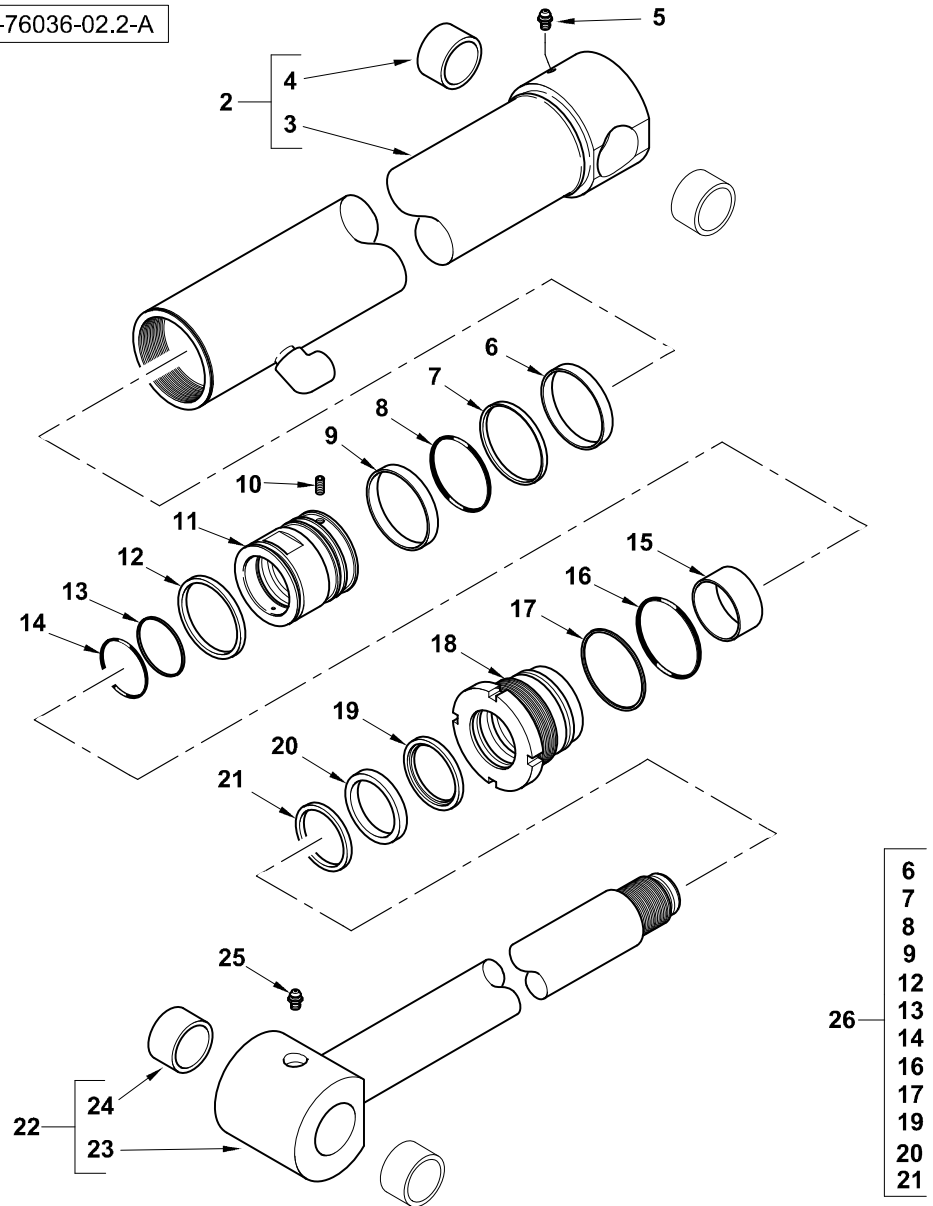




Item	Part No.	Qty.	English	French	German	Spanish	Remarks
1	5000126M91GY02	1	Cylinder Digger Bucket (Benford Grey)	L´Hie Hydraulique	Zylinder Hydr.	Gato, Conj.	Tba [76036c01.1 1]
2	5004008M91	1	Barrel Assy	Cylindre	Zylinder	Cilindro	
3	#TUBE, CYLINDER	1	Tube, Cylinder	Tube, Cylinder	Tube, Cylinder	Tube, Cylinder	Ref. 2
4	#BUSHING	1	Bushing	Douille	Busche	Boccola	
5	339608X1	1	Grease Nipple - M10 X 1 (Zinc)	Nipple De Graissage	Schmiernippel	Engrasador	
6	3485892M1	1	Guide Ring Piston	Bague D´Étanchéité	Dichtungsring	Anillo, Estanqueidad	
7	3485245M91	1	Seal Assy Piston	Joint Ass.	Dichtung Kplt	Junta, Conj.	
8	#SEAL	1	Seal	Joint Étanchéité	Dichtring	Retén	Ref. 7
9	#RING	1	Ring	Anneau	Ring	Aro	Ref. 7
10	3485892M1	1	Guide Ring Piston	Bague D´Étanchéité	Dichtungsring	Anillo, Estanqueidad	
11	3402928M1	1	Screw, Socket Head - Piston Locating	Vis Tête Hex	Zylinderschraube	Tornillo	
12	3623372M1	1	Piston	Piston	Kolben	Pistón	
13	359186X1	1	O-Ring	Joint Torique	O-Ring	Junta De Tipo O	
14	3623061M1	1	Ring Piston	Segment De Piston	Kolbenring	Segmento De Pistón	
15	359193X1	1	O-Ring	Joint Torique	O-Ring	Junta De Tipo O	
16	1606735M1	1	Ring Back-Up	Contre Bague	Stützring	ContraJunta	
17	3487207M1	1	O-Ring	Joint Torique	O-Ring	Junta De Tipo O	
18	3484615M1	1	Guide Ring	Anneau	Ring	Aro	
19	3623371M1	1	Gland - Bucket Cylinder	Presse Étoupe	Stopfbuchse	Cojinete	
20	3484055M1	1	Ring Buffer	Anneau	Ring	Aro	
21	3485185M1	1	Seal	Joint D´Arbre	Wellendichtring	Junta	
22	3487015M1	1	Wiper Ring	Anneau	Ring	Aro	
23	339608X1	1	Grease Nipple - M10 X 1 (Zinc)	Nipple De Graissage	Schmiernippel	Engrasador	
24	5004012M91	1	Piston Rod Assy - Nla	Tige De Vérin	Kolbenstange	Vástago Cilindro	
25	#ROD, PISTON	1	Rod, Piston	Rod, Piston	Rod, Piston	Rod, Piston	Ref. 24
26	#BUSHING	1	Bushing	Douille	Busche	Boccola	
27	3623373M91	1	Kit Seal	Jeu Etancheite	Dichtringsatz	Juego De Juntas	

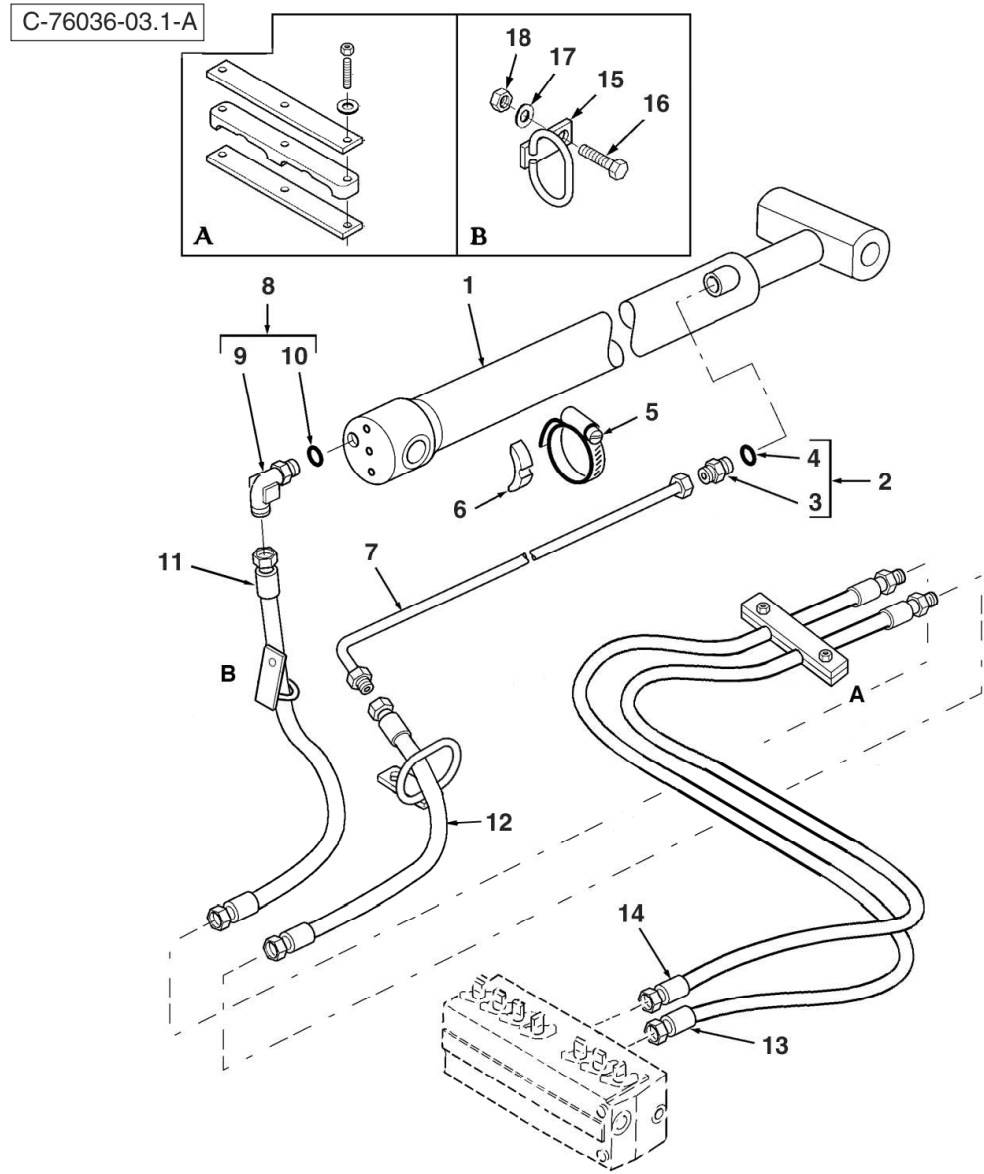


C-76036-02.2-A



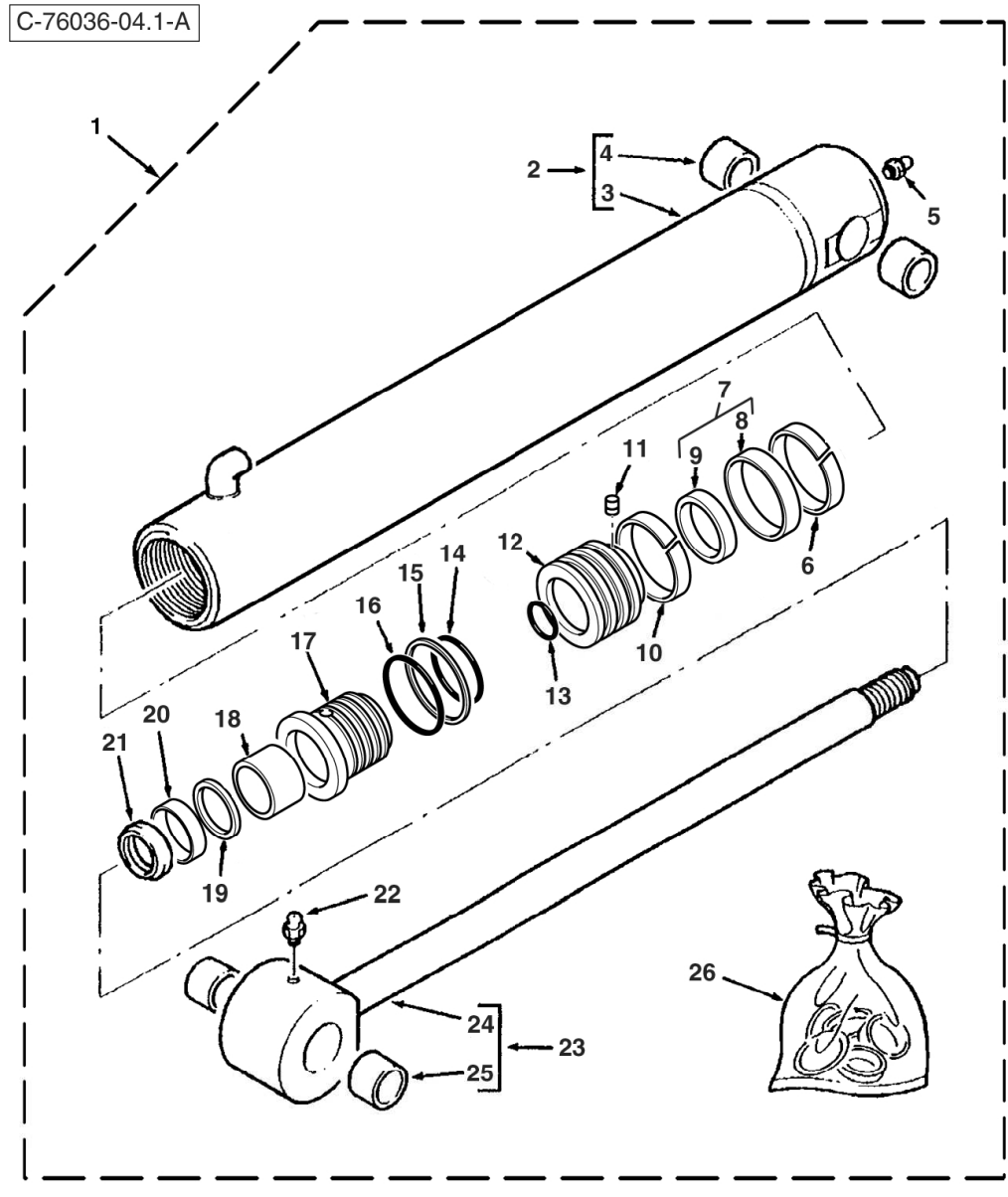
Item	Part No.	Qty.	English	French	German	Spanish	Remarks
1	6111070M91GY03	1	Cylinder- Digger Bucket	Cylindre	Zylinder	Gato, Conj.	Tba [76036c01.1 1]
2	6194629M91	1	Barrel - Cylinder	Corps Cylindre	Zylindergehäuse	Tubo	
3	#TUBE	1	Tube	Tube	Tube	Tube	Ref. 2
4	6194562M1	2	Bush	Douille	Büchse	Casquillo	
5	6194542M1	1	Nipple - Grease	Graisseur Coude	Nippel	Manguito, Engrasador	
6	6194634M1	1	Bearing - Piston	Coussinet	Lager	Teniendo - Pistón	
7	6194635M1	1	Seal - Piston	Joint Étanchéité	Dichtring	Junta	
8	6194636M1	1	O Ring (Std)	Joint Torique	O Ring	Junta De Tipo O	
9	6194634M1	1	Bearing - Piston	Coussinet	Lager	Teniendo - Pistón	
10	6194633M1	1	Set Screw - Hex Socket	Vis Tete Hex	Zylinderschraube	Tornillo De Ajuste	
11	6194631M1	1	Piston	Piston	Kolben	Pistón	
12	6194637M1	1	Ring - Piston	Segment Piston	Kolbenring	Segmento De Pistón	
13	6194625M1	1	Ring - Back Up	Contre Bague	Stutzring	ContraJunta	
14	6194624M1	1	O Ring (Std)	Joint Torique	O Ring	Junta De Tipo O	
15	6194541M1	1	Bush - Bimetal	Douille	Büchse	Juego De Anillos	
16	6194640M1	1	O Ring (Std)	Joint Torique	O Ring	Junta De Tipo O	
17	6194641M1	1	Ring - Back Up	Contre Bague	Stutzring	ContraJunta	
18	6194632M1	1	End Cover - Head	Couvercle	Deckel	Tapa	
19	6194638M1	1	Seal - Rod (Primary)	Joint Étanchéité	Dichtring	Junta	
20	6194639M1	1	Seal- Rod (Secondary)	Joint Étanchéité	Dichtring	Junta	
21	6194554M1	1	Wiper	Essuyeur	Wischer	Raspador, Escobilla	
22	6194630M91	1	Rod - Piston	Bielle De Piston	Pleuelstange	Rod - Pistón	
23	#ROD	1	Rod	Rod	Rod	Rod	Ref. 22
24	6194562M1	2	Bush	Douille	Büchse	Casquillo	
25	6194542M1	1	Nipple - Grease	Graisseur Coude	Nippel	Manguito, Engrasador	
26	6194642M91	0	Seal Kit	Jeu Etancheite	Dichtringsatz	Juego De Juntas	





Item	Part No.	Qty.	English	French	German	Spanish	Remarks
1	#CYLINDER ASSY	1	Cylinder Assy	Cylinder Assy	Cylinder Assy	Cylinder Assy	76036c04.1 1 76036c04.2 1
2	835013M91	1	Connector 7/8 Jic	Raccord	Schraubanschluss	Conexión, Conj.	
3	#UNION	1	Union	Union	Union	Union	Ref. 2
4	835024M1	1	Ring O - Boa	Joint Torique	O Ring	Junta De Tipo O	
5	3517733M1	1	Clamp Hose 130-150	Collier De Serrage	Schlauchbinder	Argolla De Cierre	
6	D142787	1	Saddle (See 142787d)	Selle	Sattel	Bloque De Caucho	
7	#TUBE ASSY	1	Tube Assy	Tube Assy	Tube Assy	Tube Assy	
8	#ELBOW	1	Elbow	Elbow	Elbow	Elbow	
9	#ELBOW	1	Elbow	Elbow	Elbow	Elbow	Ref. 8
10	#O-RING	1	O-Ring	Joint Torique	O-Ring	Junta Tórica	
11	6101738M91	1	Hose-Dipper Head	Flexible Ass.	Schlauch Kplt	Flexible, Conj.	Yellow
12	6101737M91	1	Hose-Dipper Rod	Flexible Ass.	Schlauch Kplt	Flexible, Conj.	Red
13	6108767M91	1	Hose-Ss Dipper HD	Flexible Ass.	Schlauch Kplt	Flexible, Conj.	Yellow
14	6108766M91	1	Hose-Ss Dipper Rod	Flexible Ass.	Schlauch Kplt	Flexible, Conj.	Red
15	6101491M92	2	Hose Hoop Assy	Ensemble De Support	Haltevorrichtung Kpl.	Apoyadero, Conj.	
16	339761X1	2	Bolt M8-25 Z5f	Goupille	Bolzen M8 X 25	Tornillo	
17	390972X1	2	Washer M8-17-1 Zwel	Rondelle M8	Scheibe - M8	Arandela	
18	394367X1	2	Nut, Hex. - Nyloc, M8	Ecrou Blocage M8	Flachmutter - M8	Tuerca De Retención	

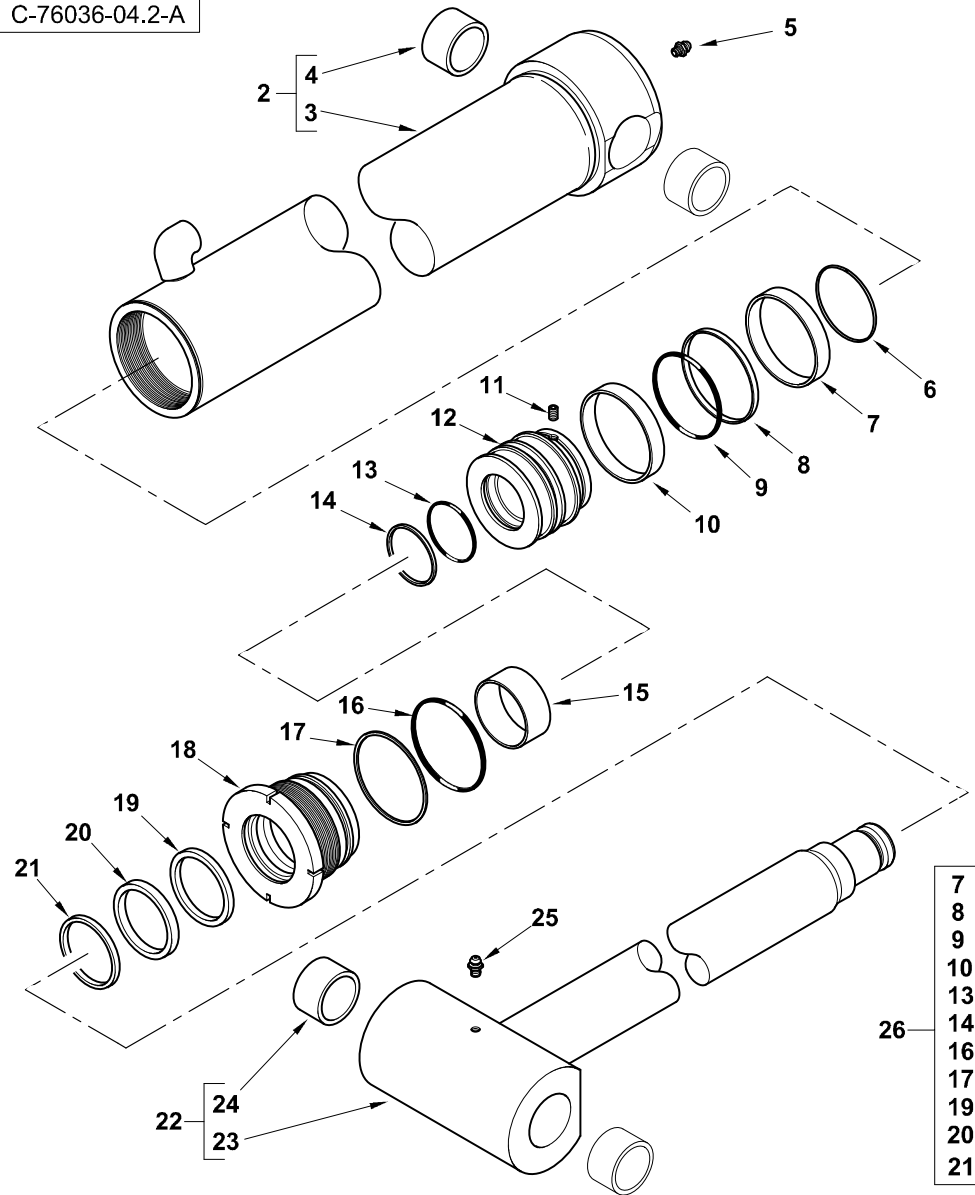




Item	Part No.	Qty.	English	French	German	Spanish	Remarks
1	5000124M91GY02	1	Cylinder Dipperstick (Benford Grey)	L' Hie Hydraulique	Zylinder Hydr.	Gato, Conj.	Tba [76036c03.1 1]
2	5003982M91	1	Barrel Assy. - Dipper Cylinder	Corps Cylindre	Zylindergehäuse	Cilindro	
3	#TUBE, CYLINDER	1	Tube, Cylinder	Tube, Cylindre	Tube, Cylinder	Tube, Cylinder	Ref. 2
4	3484843M1	1	Bush, Hydr. Cylinders	Douille	Buechse	Casquillo	
5	339608X1	1	Grease Nipple - M10 X 1 (Zinc)	Nipple De Graissage	Schmiernippel	Engrasador	
6	3485891M1	1	Guide Ring Piston	Anneau	Ring	Aro	
7	3485247M91	1	Seal Piston	Joint	Dichtung	Junta, Conj.	
8	#SEAL	1	Seal	Joint Étanchéité	Dichtring	Retén	Ref. 7
9	#RING	1	Ring	Anneau	Ring	Aro	Ref. 7
10	3485891M1	1	Guide Ring Piston	Anneau	Ring	Aro	
11	3402928M1	1	Screw, Socket Head - Piston Locating	Vis Tête Hex	Zylinderschraube	Tornillo	
12	5003989M1	1	Piston	Piston	Kolben	Pistón	
13	3007182X1	1	O-Ring	Joint Torique	O-Ring	Junta De Tipo O	
14	359196X1	1	O Ring	Joint Torique	O Ring	Junta De Tipo O	
15	378545X1	1	Ring - Backup	Contre Bague	Stutzring	Aro	
16	3487908M1	1	O Ring, Hydr. Cylinder	Joint Torique	O Ring	Junta De Tipo O	
17	5003988M1	1	Bearing Cylinder	Roulement	Lager	Cojinete	
18	3623193M1	1	Guide Ring	Anneau	Ring	Aro	
19	3443388M1	1	Ring - Back Up	Anneau	Ring	Aro	
20	3443472M1	1	Seal	Joint D' Arbre	Wellendichtring	Junta	
21	3403385M1	1	Wiper Ring	Joint De Racleur	Abstreifdichtung	Junta Raspador	
22	339608X1	1	Grease Nipple - M10 X 1 (Zinc)	Nipple De Graissage	Schmiernippel	Engrasador	
23	5003985M91	1	Piston Rod Assy	Tige De Vérin	Kolbenstange	Vástago Cilindro	
24	#ROD, PISTON	1	Rod, Piston	Rod, Piston	Rod, Piston	Rod, Piston	Ref. 23
25	3484843M1	1	Bush, Hydr. Cylinders	Douille	Buechse	Casquillo	
26	5004401M91	1	Kit Seal	Jeu Étanchéité	Dichtringsatz	Juego De Juntas	



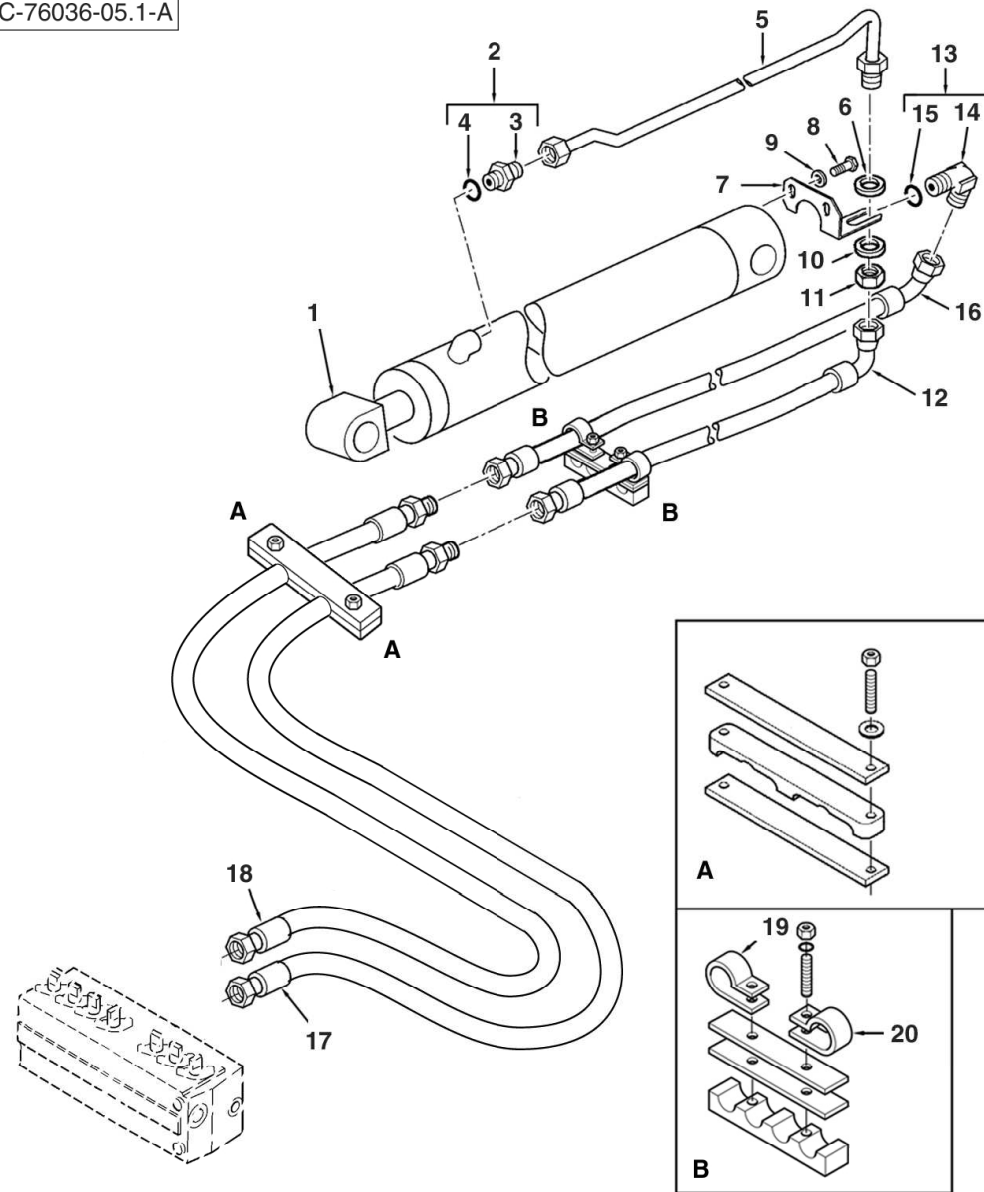
C-76036-04.2-A



Item	Part No.	Qty.	English	French	German	Spanish	Remarks
1	6111069M91GY03	1	Cylinder - Dipperstick	Cylindre	Zylinder	Gato, Conj.	Tba [76036c03.1 1]
2	6194615M91	1	Barrel - Cylinder	Corps Cylindre	Zylindergehäuse	Conjunto De Tubería	
3	#TUBE	1	Tube	Tube	Tube	Tube	Ref. 2
4	6194562M1	2	Bush	Douille	Büchse	Casquillo	
5	6194542M1	1	Nipple - Grease	Graisseur Coude	Nippel	Manguito, Engrasador	
6	6194620M1	1	Ring - Snap	Fermeoir	Sprengring	Anillo De Resorte	
7	6194621M1	1	Bearing - Piston	Coussinet	Lager	Teniendo - Pistón	
8	6194622M1	1	Seal - Piston	Joint Étanchéité	Dichtring	Junta	
9	6194623M1	1	O Ring (Std)	Joint Torique	O Ring	Junta De Tipo O	
10	6194621M1	1	Bearing - Piston	Coussinet	Lager	Teniendo - Pistón	
11	6194619M1	1	Set Screw	Vis	Schraube	Tornillo De Ajuste	
12	6194617M1	1	Piston	Piston	Kolben	Pistón	
13	6194624M1	1	O Ring (Std)	Joint Torique	O Ring	Junta De Tipo O	
14	6194625M1	1	Ring - Back Up	Contre Bague	Stutzring	ContraJunta	
15	6194565M1	1	Bush - Bimetal	Douille	Büchse	Juego De Anillos	
16	6194626M1	1	O Ring (Std)	Joint Torique	O Ring	Junta De Tipo O	
17	6194627M1	1	Ring - Back Up	Contre Bague	Stutzring	ContraJunta	
18	6194618M1	1	End Cover - Head	Couvercle	Deckel	Tapa	
19	6194575M1	1	Seal - Rod (Primary)	Joint Étanchéité	Dichtring	Junta	
20	6194576M1	1	Seal- Rod (Secondary)	Joint Étanchéité	Dichtring	Junta	
21	6194573M1	1	Wiper	Essuyeur	Wischer	Raspador, Escobilla	
22	6194616M91	1	Rod - Piston	Bielle De Piston	Pleuelstange	Rod - Pistón	
23	#ROD	1	Rod	Rod	Rod	Rod	Ref. 22
24	6194562M1	2	Bush	Douille	Büchse	Casquillo	
25	6194542M1	1	Nipple - Grease	Graisseur Coude	Nippel	Manguito, Engrasador	
26	6194628M91	0	Seal Kit	Jeu Etancheite	Dichtringsatz	Juego De Juntas	

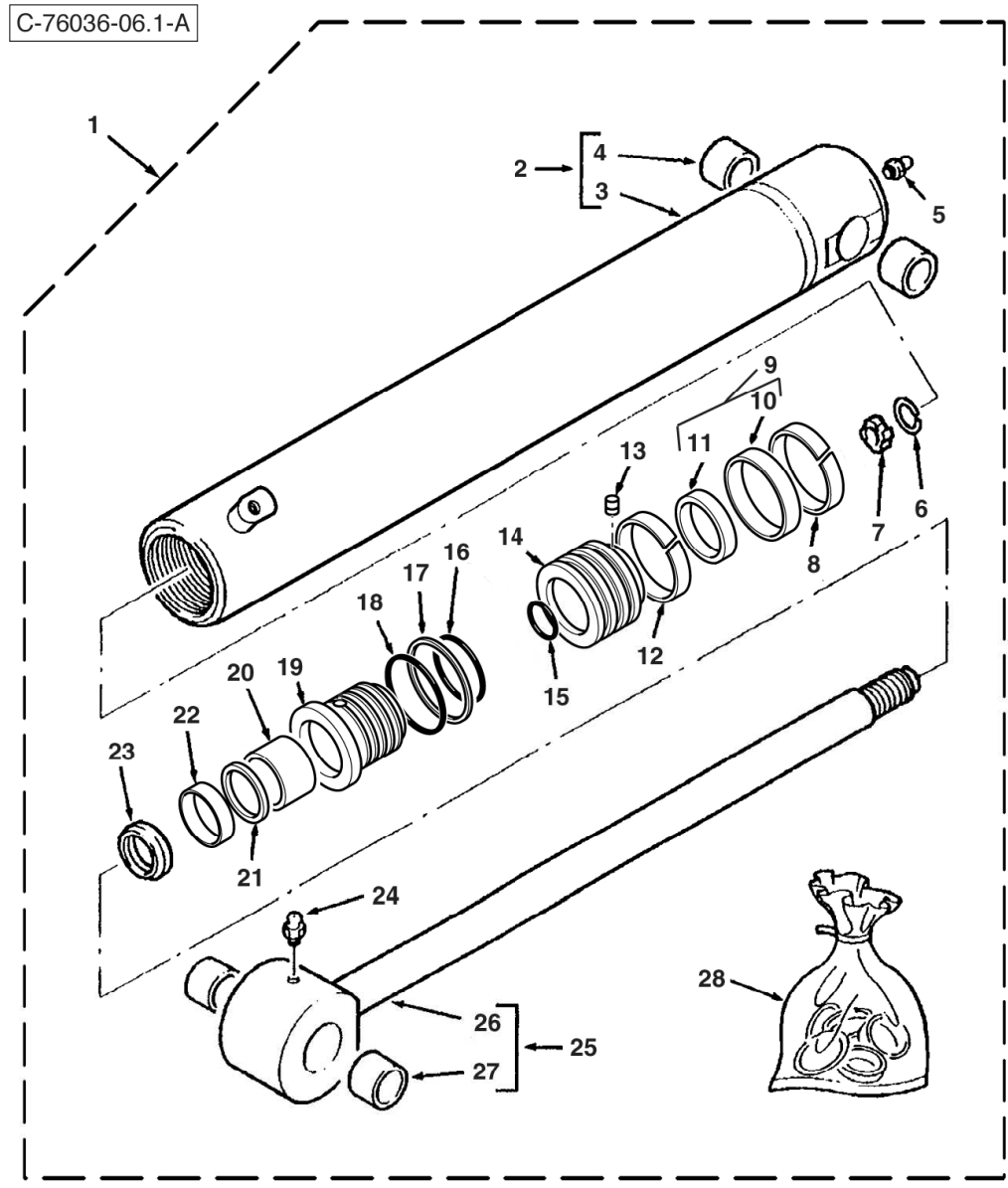


C-76036-05.1-A



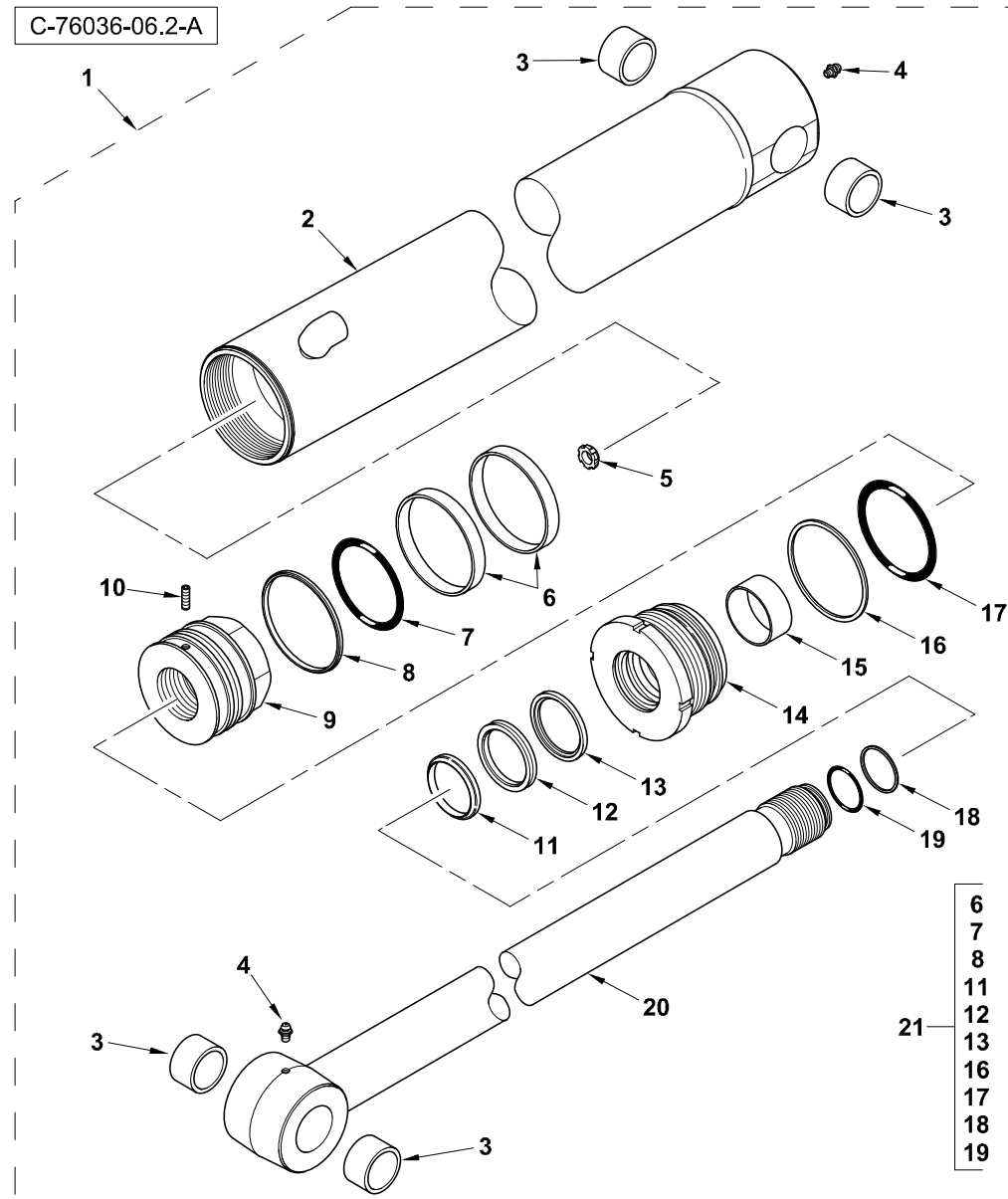
Item	Part No.	Qty.	English	French	German	Spanish	Remarks
1	5000122M91	1	Cylinder 4.5m B00m - Hi Spec	L'Hie Hydraulique	Zylinder Hydr.	Gato, Conj.	Pacoma
1	6111078M91GY03	1	Cylinder Boom 4.5	Cylindre 4.5m	Zylinder 4.5m	Cilindro 4.5m	Wipro
2	835013M91	1	Connector 7/8 Jic	Raccord	Schraubanschluss	Conexión, Conj.	
3	#UNION	1	Union	Union	Union	Union	Ref. 2
4	835024M1	1	Ring O - Boa	Joint Torique	O Ring	Junta De Tipo O	
5	6111165M92	1	Tube Assy - Boom Cyl. 4.5 (Hose Burst)	Tuyauterie	Rohrleitung Kplt	Conjunto De Tubería	Wipro
5	6101956M92	1	Tube Assy - Boom Cyl. 4.5 (Hose Burst)	Tuyauterie	Rohrleitung Kplt	Conjunto De Tubería	Pacoma
6	#WASHER	1	Washer	Rondelle	Unterlegscheibe	Arandela	
7	#BRACKET	1	Bracket	Bracket	Bracket	Bracket	
8	339228X1	2	Bolt, Hex. - M8 X 12 (Coarse)	Boulon M8 X 12	Maschschraube M8	Tornillo	
9	339374X1	2	Washer M8 -21-2 Z	Rondelle Frein - M8	Federring - M8	Arandela De Freno	
10	#WASHER	1	Washer	Rondelle	Unterlegscheibe	Arandela	
11	#NUT	1	Nut	Ecrou	Mutter	Tuerca	
12	#HOSE ASSY	1	Hose Assy	Hose Assy	Hose Assy	Hose Assy	Orange
13	#ELBOW	1	Elbow	Elbow	Elbow	Elbow	
14	#ELBOW	1	Elbow	Elbow	Elbow	Elbow	Ref. 13
15	#O-RING	1	O-Ring	Joint Torique	O-Ring	Junta Tórica	
16	6101736M92	1	Hose, "Blue" - Boom Cylinder Feed	Flexible	Schlauch	Flexible, Conj.	Blue
17	6108761M91	1	Hose-Ss Boom Rod	Flexible Ass.	Schlauch Kplt	Flexible, Conj.	Orange
18	6108760M91	1	Hose-Ss Boom HD	Flexible Ass.	Schlauch Kplt	Flexible, Conj.	Blue
19	515-23270	1	Clip-Coated P	Clip	Klips	Clip	
20	515-23206	1	P Clip Bsr081hs	Bride Pour Tutaux	Schlauchschelle	Abrazadera De Manguera	





Item	Part No.	Qty.	English	French	German	Spanish	Remarks
1	5000122M91	1	Cylinder 4.5m B00m - Hi Spec	L´Hie Hydraulique	Zylinder Hydr.	Gato, Conj.	76036c05.1 1
2	5003912M91	1	Barrel Assy	Cylindre	Zylinder	Cilindro	
3	#TUBE, CYLINDER	1	Tube, Cylinder	Tube, Cylinder	Tube, Cylinder	Tube, Cylinder	Ref. 2
4	#BUSHING	2	Bushing	Douille	Busche	Boccola	
5	339608X1	1	Grease Nipple - M10 X 1 (Zinc)	Nipple De Graissage	Schmiernippel	Engrasador	
6	1609899M1	1	Snap Ring	Anneau D´Arrêt	Sprengring	Anillo De Resorte	
7	1609328M1	1	Ring Cushioning	Anneau	Ring	Aro	
8	3403852M1	2	Ring, Guide - Piston	Anneau	Ring	Aro	
9	3485213M91	1	Seal Piston	Joint	Dichtung	Junta, Conj.	
10	#SEAL	1	Seal	Joint Étanchéité	Dichtring	Retén	Ref. 9
11	#SEAL	1	Seal	Joint Étanchéité	Dichtring	Retén	Ref. 9
13	3402928M1	1	Screw, Socket Head - Piston Locating	Vis Tête Hex	Zylinderschraube	Tornillo	
14	3484189M1	1	Piston	Piston	Kolben	Pistón	
15	3007182X1	1	O-Ring	Joint Torique	O-Ring	Junta De Tipo O	
16	359203X1	1	O-Ring	Joint Torique	O-Ring	Junta De Tipo O	
17	367120X1	1	Back-Up Ring	Contre Bague	Stützring	Aro	
18	3487909M1	1	O-Ring	Joint Torique	O-Ring	Junta De Tipo O	
19	3623202M1	1	Bearing	Roulement	Lager	Cojinete	
20	3623193M1	1	Guide Ring	Anneau	Ring	Aro	
21	3443388M1	1	Ring - Back Up	Anneau	Ring	Aro	
22	3443472M1	1	Seal	Joint D´Arbre	Wellendichtring	Junta	
23	3403385M1	1	Wiper Ring	Joint De Racleur	Abstreifdichtung	Junta Raspador	
24	339608X1	1	Grease Nipple - M10 X 1 (Zinc)	Nipple De Graissage	Schmiernippel	Engrasador	
25	3441629M91	1	Piston Rod Assy	Tige De Vérin	Kolbenstange	Vástago Cilindro	
26	#ROD, PISTON	1	Rod, Piston	Rod, Piston	Rod, Piston	Rod, Piston	Ref. 25
27	3484843M1	1	Bush, Hydr. Cylinders	Douille	Buechse	Casquillo	

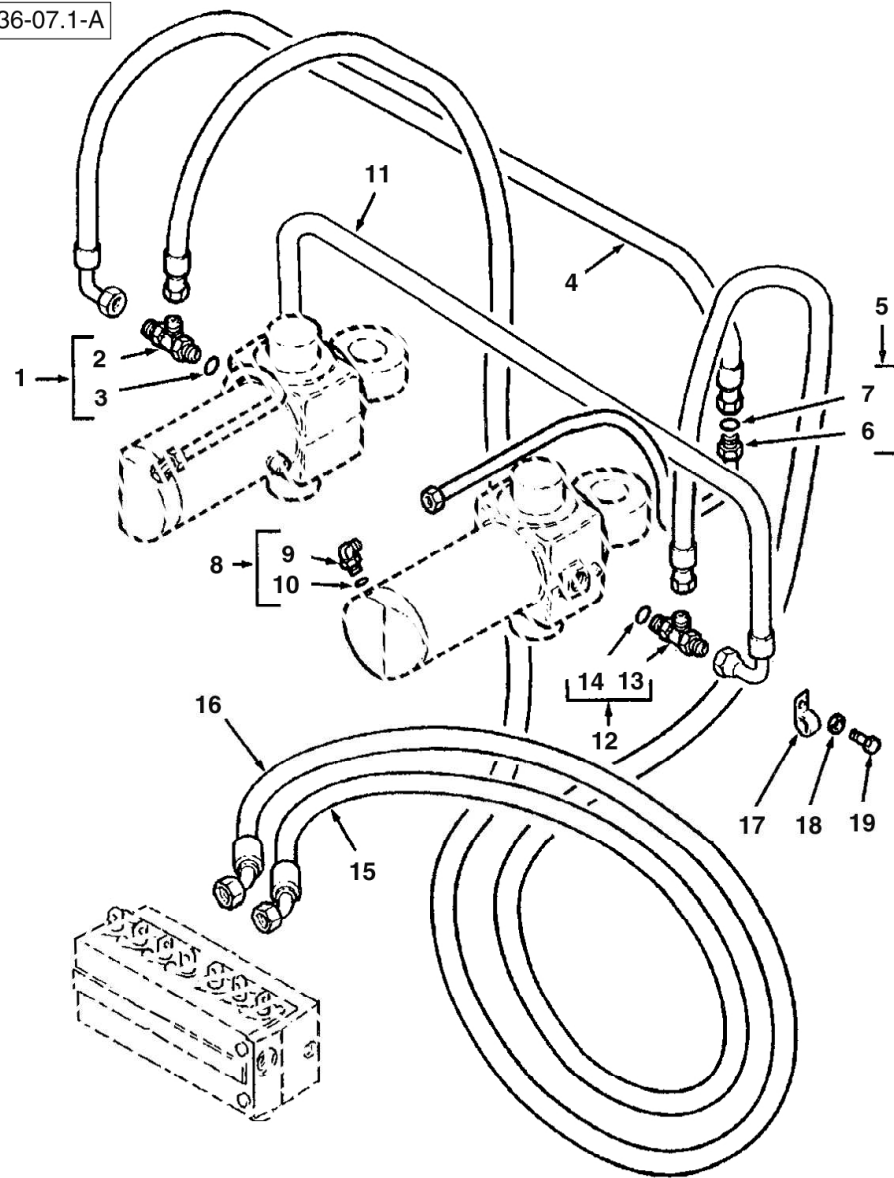




Item	Part No.	Qty.	English	French	German	Spanish	Remarks
1	6111078M91GY03	1	Cylinder Boom 4.5	Cylindre 4.5m	Zylinder 4.5m	Cilindro 4.5m	
2	6195249M91GY03	1	Tube - S/A (Terex Grey)	Tube - S/A (Terex Grey)	Tube - S/A (Terex Grey)	Tube - S/A (Terex Grey)	
3	6195253M1	4	Bush	Douille	Buchse	Casquillo	
4	6195255M1	2	Grease Nipple	Grease Nipple	Grease Nipple	Grease Nipple	
5	6195235M1	1	Ring - Cushion	Ring - Cushion	Ring - Cushion	Ring - Cushion	
6	6195259M1	2	Bearing - Piston	Bearing - Piston	Bearing - Piston	Bearing - Piston	
7	6195258M1	1	O - Ring	O - Ring	O - Ring	O - Ring	
8	6195257M1	1	Seal - Piston	Seal - Piston	Seal - Piston	Seal - Piston	
9	6195251M1	1	Piston	Piston	Piston	Piston	
10	6195254M1	1	Set Screw - Hex. Socket	Set Screw - Hex. Socket	Set Screw - Hex. Socket	Set Screw - Hex. Socket	
11	6194573M1	1	Wiper	Essuyeur	Wischer	Raspador, Escobilla	
12	6195262M1	1	Seal - Rod (Secondary)	Seal - Rod (Secondary)	Seal - Rod (Secondary)	Seal - Rod (Secondary)	
13	6194575M1	1	Seal - Rod (Primary)	Joint Étanchéité	Dichtring	Junta	
14	6195252M1	1	Cover - H.E.	Cover - H.E.	Cover - H.E.	Cover - H.E.	
15	6195256M1	1	Bush - Bimetal	Bush - Bimetal	Bush - Bimetal	Bush - Bimetal	
16	6195261M1	1	Ring - Back Up	Ring - Back Up	Ring - Back Up	Ring - Back Up	
17	6195260M1	1	O - Ring	O - Ring	O - Ring	O - Ring	
18	6194570M1	1	Ring - Back Up	Contre Bague	Stutzring	ContraJunta	
19	6195247M1	1	O - Ring	O - Ring	O - Ring	O - Ring	
20	6195250M91	1	Piston Rod - S/A	Piston Rod - S/A	Piston Rod - S/A	Piston Rod - S/A	
21	6195263M91	1	Seal Kit	Jeu Etancheite	Dichtringsatz	Juego Retenes	



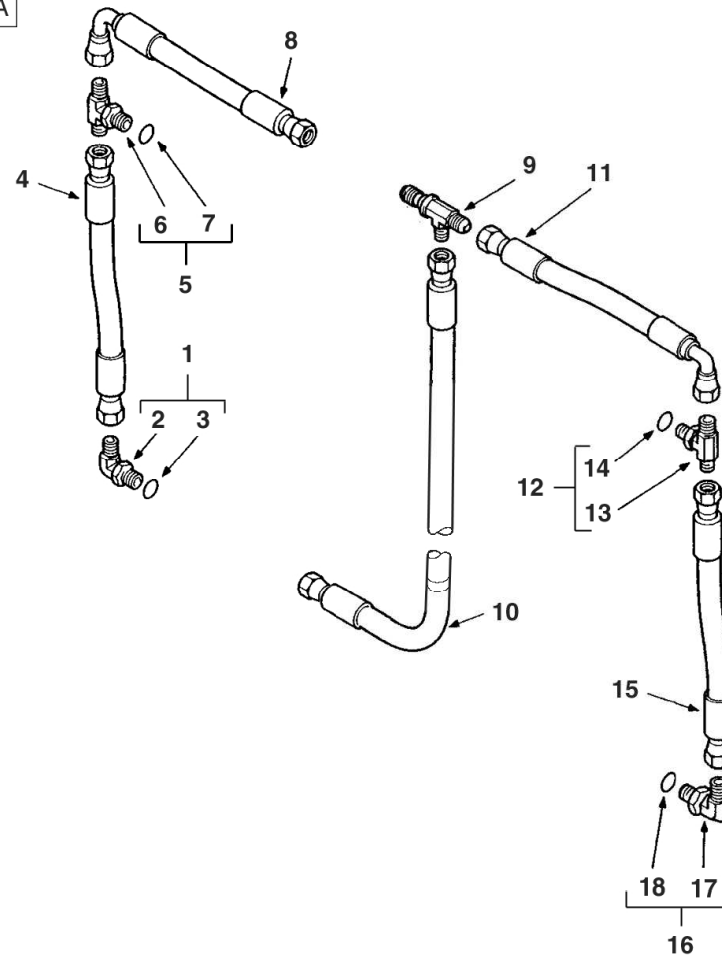
C-76036-07.1-A



Item	Part No.	Qty.	English	French	German	Spanish	Remarks
1	358728X91	1	Tee	Te	T-Stück	Te	
2	#TEE	1	Tee	Tee	Tee	Tee	Ref. 1
3	831497M1	1	O-Ring	Joint Torique	O-Ring	Junta De Tipo O	
4	6100716M91	1	Hose Slew Trsfr	Flexible Ass.	Schlauch Kplt	Flexible, Conj.	
5	6111174M92	1	Tube Assy Slew	Ensemble Tube	Rohr Kpl	Conj. De Tubo	LH Wipro
5	6100589M91	1	Tube Slew Trsf RH	Tuyauterie	Rohrleitung Kplt	Conjunto De Tubería	Pacoma
5	6100587M91	1	Tube Slew Trsf LH	Tuyauterie	Rohrleitung Kplt	Conjunto De Tubería	Pacoma
5	6111175M92	1	Tube Assy Slew	Ensemble Tube	Rohr Kpl	Conj.De Tubo	RH Wipro
6	#TUBE	1	Tube	Tube	Tube	Tube	Ref. 5
7	394923X1	1	O Ring	Joint Torique	O Ring	Junta De Tipo O	
8	357197X91	2	Elbow & O Ring	Coude	Kniestück, 90°	Codo, 90°	
9	#ELBOW	1	Elbow	Elbow	Elbow	Elbow	Ref. 8
10	831452M1	1	O Ring (Pack Of 10)	Joint Torique	O Ring	Junta De Tipo O	
11	6100716M91	1	Hose Slew Trsfr	Flexible Ass.	Schlauch Kplt	Flexible, Conj.	
12	358728X91	1	Tee	Te	T-Stück	Te	
13	#TEE	1	Tee	Tee	Tee	Tee	Ref. 12
14	831497M1	1	O-Ring	Joint Torique	O-Ring	Junta De Tipo O	
15	6107456M91	1	Hose-Iso Ss LH Swing	Flexible Ass.	Schlauch Kplt	Flexible, Conj.	
16	6107455M91	1	Hose-Iso Ss RH Swing	Flexible Ass.	Schlauch Kplt	Flexible, Conj.	
17	3517114M2	2	P - Clip	Collier De Fixation	Befestigungsschelle	Argolla De Fijación	
18	385361X1	2	Washer M8 Hardened	Rondelle M8	Scheibe M8	Arandela	
19	339228X1	2	Bolt, Hex. - M8 X 12 (Coarse)	Boulon M8 X 12	Maschschraube M8	Tornillo	



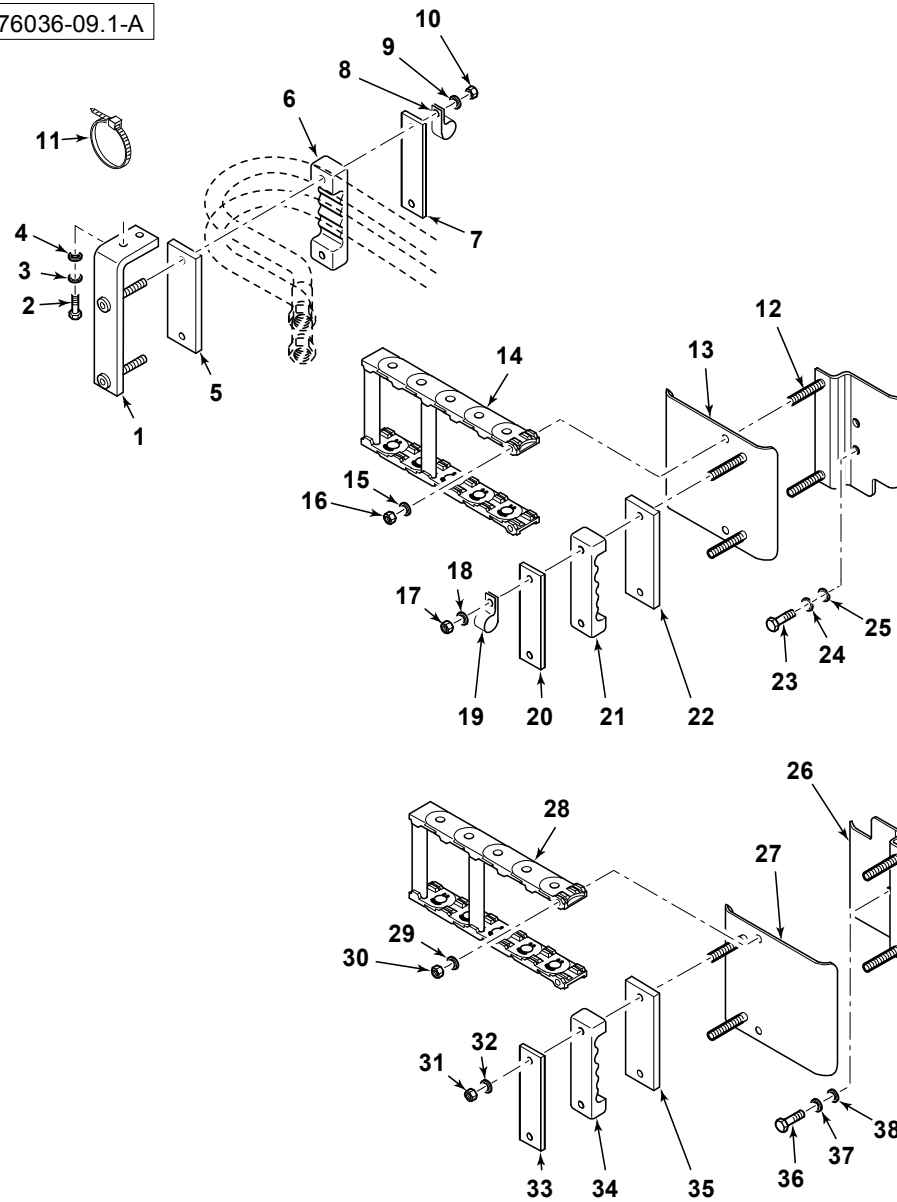
C-76036-08.1-A



Item	Part No.	Qty.	English	French	German	Spanish	Remarks
1	358761X91	1	Elbow 90 Deg	Coude, 90	Kniestück, 90	Codo, 90°	
2	#ELBOW	1	Elbow	Elbow	Elbow	Elbow	Ref. 1
3	831496M1	1	O-Ring	Joint Torique	O-Ring	Junta De Tipo O	
4	3521882M94	1	Hose-Clamp Elbow/Tee	Flexible Ass.	Schlauch Kplt	Flexible, Conj.	
5	358827X91	1	Tee 1/2 Sae 1/2 Jic	Te	T-Stück	Te	
6	#TEE	1	Tee	Tee	Tee	Tee	Ref. 5
7	831496M1	1	O-Ring	Joint Torique	O-Ring	Junta De Tipo O	
8	3521878M93	1	Hose Sleeved	Flexible Ass.	Schlauch Kplt	Flexible, Conj.	
9	356558X1	1	Tee 7/16 Male	Te	T-Stück	Te	
10	6110207M91	1	Hose Assembly - Clamp	Ensemble De Flexible	Schlauch Kpl.	Flexible, Conj.	
11	3521878M93	1	Hose Sleeved	Flexible Ass.	Schlauch Kplt	Flexible, Conj.	
12	358827X91	1	Tee 1/2 Sae 1/2 Jic	Te	T-Stück	Te	
13	#TEE	1	Tee	Tee	Tee	Tee	Ref. 12
14	831496M1	1	O-Ring	Joint Torique	O-Ring	Junta De Tipo O	
15	3521882M94	1	Hose-Clamp Elbow/Tee	Flexible Ass.	Schlauch Kplt	Flexible, Conj.	
16	358761X91	1	Elbow 90 Deg	Coude, 90	Kniestück, 90	Codo, 90°	
17	#ELBOW	1	Elbow	Elbow	Elbow	Elbow	Ref. 16
18	831496M1	1	O-Ring	Joint Torique	O-Ring	Junta De Tipo O	

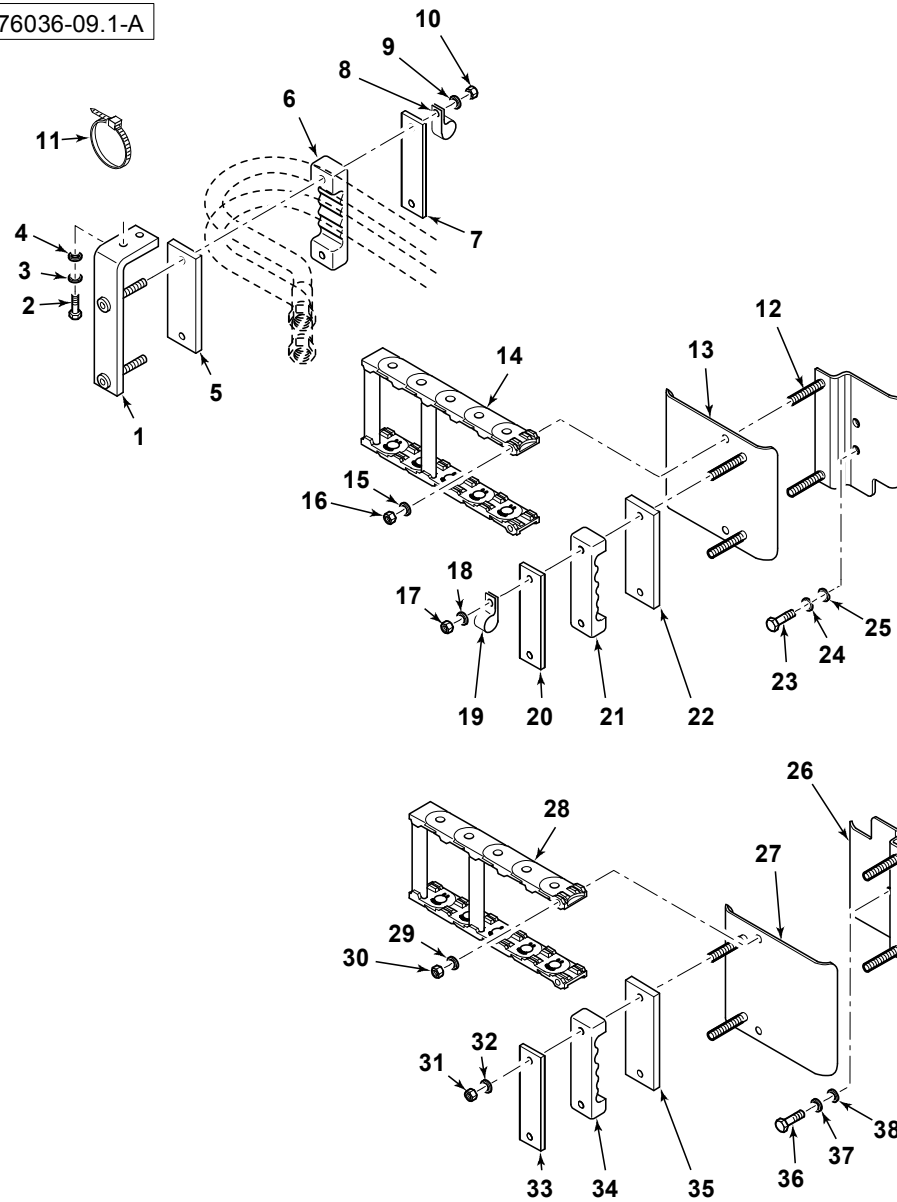


C-76036-09.1-A



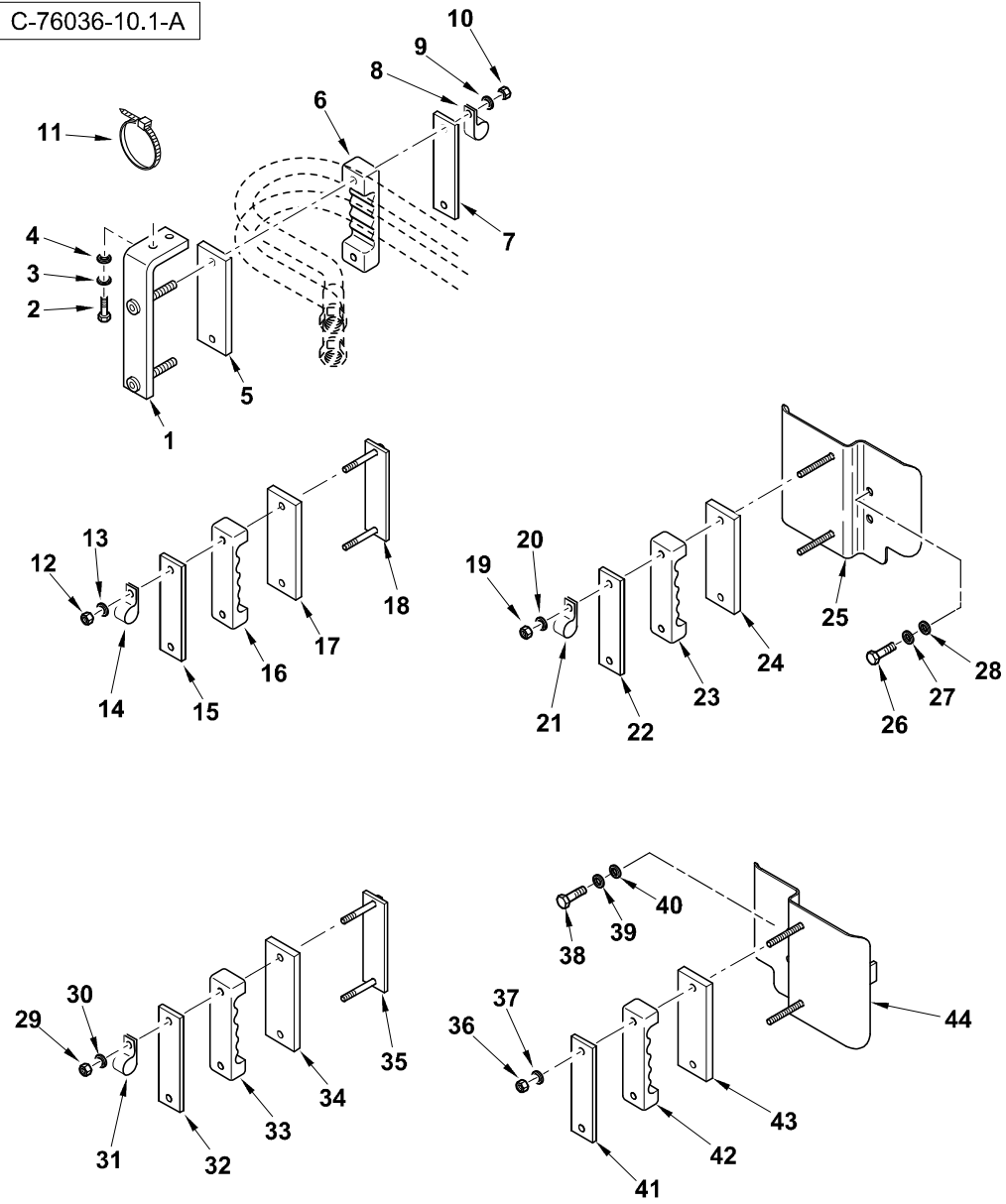
Item	Part No.	Qty.	English	French	German	Spanish	Remarks
1	6107934M91	2	Bracket-Clamp	Patte Fixation	Halter	Brida De Fijación	
2	339761X1	4	Bolt M8-25 Z5f	Goupille	Bolzen M8 X 25	Tornillo	
3	390972X1	4	Washer M8-17-1 Zwel	Rondelle M8	Scheibe - M8	Arandela	
4	339374X1	4	Washer M8 -21-2 Z	Rondelle Frein - M8	Federring - M8	Arandela De Freno	
5	6102197M1	2	Pad-Neoprene	Plaque De Caoutchouc	Gummiplatte	Placa, Caucho	
6	6101859M1	1	Clamp-Rh Hose	Collier De Serrage	Schlauchbinder	Argolla De Cierre	
6	6101216M1	1	Clamp-Lh Hose	Collier De Serrage	Schlauchbinder	Argolla De Cierre	
7	6101215M1	2	Plate - Clamp	Plaque	Platte	Placa	
8	515-22159	1	Clip-Coated P	Collier De Serrage	Klemme	Argolla De Fijación	
9	390972X1	4	Washer M8-17-1 Zwel	Rondelle M8	Scheibe - M8	Arandela	
10	394367X1	4	Nut, Hex. - Nyloc, M8	Ecrou Blocage M8	Flachmutter - M8	Tuerca De Retención	
11	1862425M1	1	Tie 385mm T50I	Attache Cable	Kabelbinder	Enlace De Cable	
12	6102307M91	1	Bracket-Rh-W/Assy	Patte Fixation	Halter	Brida De Fijación	
13	6101424M91	1	Plate, Support - Digger Hoses	Ensemble De Plaque	Platte Kpl.	Placa, Conj.	
14	6102199M92	1	Hose Guide - Plastic Chain	Chaîne	Kette	Cadena	
15	390971X1	2	Washer M6-12-1 Zwel	Rondelle - M6	Scheibe - M6	Arandela	
16	1441500X1	2	Nut M6 Z5 Nyloc	Ecrou	Flachmutter M6	Tuerca De Retención	
17	394367X1	2	Nut, Hex. - Nyloc, M8	Ecrou Blocage M8	Flachmutter - M8	Tuerca De Retención	
18	390972X1	2	Washer M8-17-1 Zwel	Rondelle M8	Scheibe - M8	Arandela	
19	515-22159	1	Clip-Coated P	Collier De Serrage	Klemme	Argolla De Fijación	
20	6101215M1	1	Plate - Clamp	Plaque	Platte	Placa	
21	6101859M1	1	Clamp-Rh Hose	Collier De Serrage	Schlauchbinder	Argolla De Cierre	
22	6102197M1	1	Pad-Neoprene	Plaque De Caoutchouc	Gummiplatte	Placa, Caucho	
23	3009492X1	2	Bolt - Hex. M10 X 25	Boulon M10 X 25	Schraube M10 X 25	Tornillo	
24	339376X1	2	Washer M10-18-2 Zsp	Rondelle Frein	Federring	Arandela De Freno	
25	390734X1	2	Washer M10-21-2 Z	Rondelle - M10	Unterlegscheibe	Arandela	
26	6102308M91	1	Bracket-Lh-W/Assy	Patte Fixation	Halter	Brida De Fijación	
27	6101424M91	1	Plate, Support - Digger Hoses	Ensemble De Plaque	Platte Kpl.	Placa, Conj.	
28	6102199M92	1	Hose Guide - Plastic Chain	Chaîne	Kette	Cadena	
29	390971X1	2	Washer M6-12-1 Zwel	Rondelle - M6	Scheibe - M6	Arandela	

C-76036-09.1-A



Item	Part No.	Qty.	English	French	German	Spanish	Remarks
30	1441500X1	2	Nut M6 Z5 Nyloc	Ecrou	Flachmutter M6	Tuerca De Retención	
31	394367X1	2	Nut, Hex. - Nyloc, M8	Ecrou Blocage M8	Flachmutter - M8	Tuerca De Retención	
32	390972X1	2	Washer M8-17-1 Zwl	Rondelle M8	Scheibe - M8	Arandela	
33	6101215M1	1	Plate - Clamp	Plaque	Platte	Placa	
34	6101216M1	1	Clamp-Lh Hose	Collier De Serrage	Schlauchbinder	Argolla De Cierre	
35	6102197M1	1	Pad-Neoprene	Plaque De Caoutchouc	Gummiplatte	Placa, Caucho	
36	3009492X1	2	Bolt - Hex. M10 X 25	Boulon M10 X 25	Schraube M10 X 25	Tornillo	
37	339376X1	2	Washer M10-18-2 Zsp	Rondelle Frein	Federring	Arandela De Freno	
38	390734X1	2	Washer M10-21-2 Z	Rondelle - M10	Unterlegscheibe	Arandela	

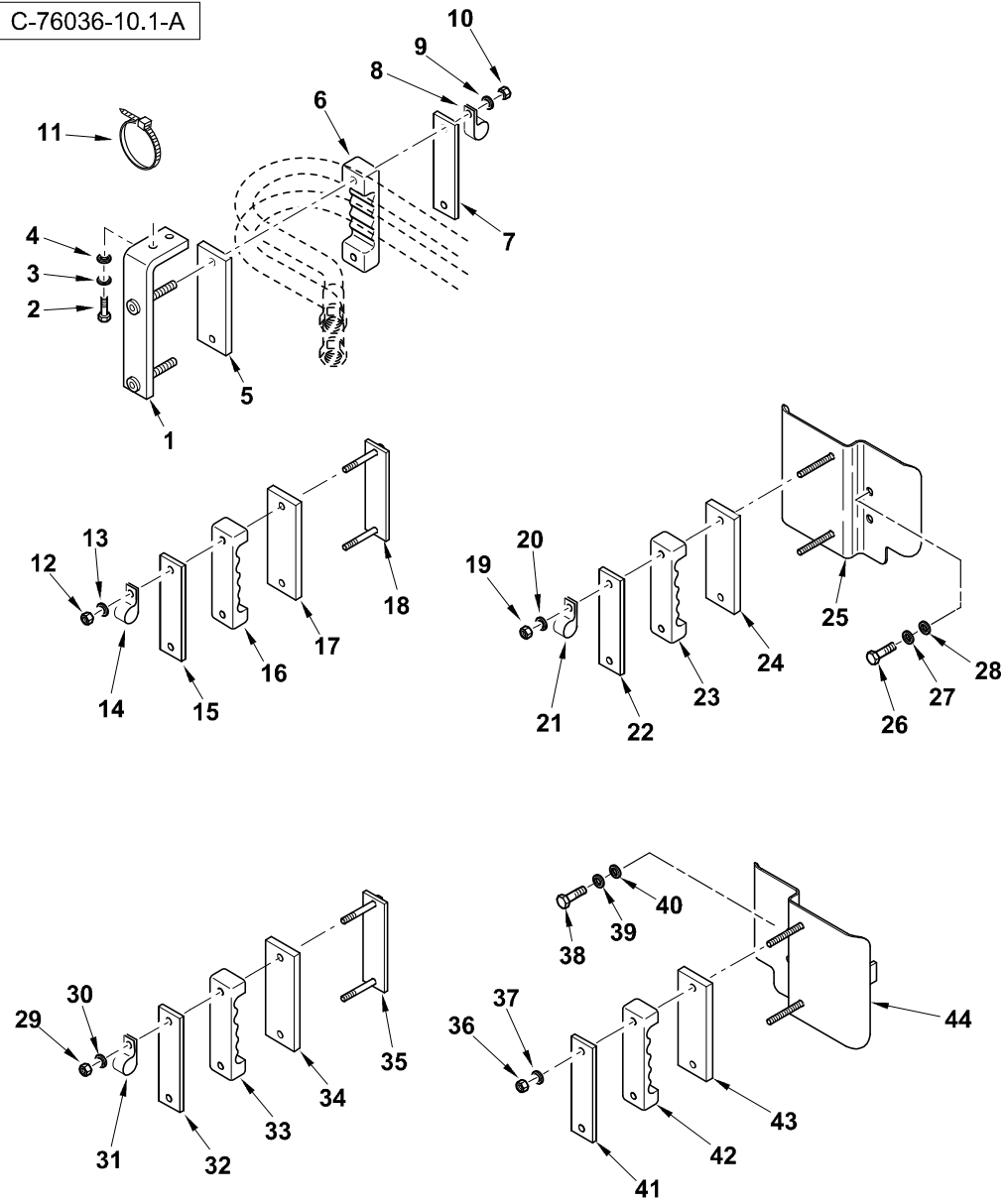
C-76036-10.1-A



Item	Part No.	Qty.	English	French	German	Spanish	Remarks
1	6107934M91	2	Bracket-Clamp	Patte Fixation	Halter	Brida De Fijación	
2	339761X1	4	Bolt M8-25 Z5f	Goupille	Bolzen M8 X 25	Tornillo	
3	390972X1	4	Washer M8-17-1 Zwl	Rondelle M8	Scheibe - M8	Arandela	
4	339374X1	4	Washer M8 -21-2 Z	Rondelle Frein - M8	Federring - M8	Arandela De Freno	
5	6102197M1	2	Pad-Neoprene	Plaque De Caoutchouc	Gummiplatte	Placa, Caucho	
6	6101859M1	1	Clamp-Rh Hose	Collier De Serrage	Schlauchbinder	Argolla De Cierre	
6	6101216M1	1	Clamp-Lh Hose	Collier De Serrage	Schlauchbinder	Argolla De Cierre	
7	6101215M1	2	Plate - Clamp	Plaque	Platte	Placa	
8	515-22159	1	Clip-Coated P	Collier De Serrage	Klemme	Argolla De Fijación	
9	390972X1	4	Washer M8-17-1 Zwl	Rondelle M8	Scheibe - M8	Arandela	
10	394367X1	4	Nut, Hex. - Nyloc, M8	Ecrou Blocage M8	Flachmutter - M8	Tuerca De Retención	
11	1862425M1	1	Tie 385mm T50I	Attache Cable	Kabelbinder	Enlace De Cable	
12	394367X1	2	Nut, Hex. - Nyloc, M8	Ecrou Blocage M8	Flachmutter - M8	Tuerca De Retención	
13	390972X1	2	Washer M8-17-1 Zwl	Rondelle M8	Scheibe - M8	Arandela	
14	515-22159	1	Clip-Coated P	Collier De Serrage	Klemme	Argolla De Fijación	
15	6101215M1	1	Plate - Clamp	Plaque	Platte	Placa	
16	6101859M1	1	Clamp-Rh Hose	Collier De Serrage	Schlauchbinder	Argolla De Cierre	
17	6102197M1	1	Pad-Neoprene	Plaque De Caoutchouc	Gummiplatte	Placa, Caucho	
18	6111437M91	1	Clamp - Hose Plate Assy.	Collier	Halteschelle	Placa, Conj.	
19	394367X1	2	Nut, Hex. - Nyloc, M8	Ecrou Blocage M8	Flachmutter - M8	Tuerca De Retención	
20	390972X1	2	Washer M8-17-1 Zwl	Rondelle M8	Scheibe - M8	Arandela	
21	515-22159	1	Clip-Coated P	Collier De Serrage	Klemme	Argolla De Fijación	
22	6101215M1	1	Plate - Clamp	Plaque	Platte	Placa	
23	6101859M1	1	Clamp-Rh Hose	Collier De Serrage	Schlauchbinder	Argolla De Cierre	
24	6102197M1	1	Pad-Neoprene	Plaque De Caoutchouc	Gummiplatte	Placa, Caucho	
25	6111548M91	1	Bracket- Hose Clamp RH W/A	Support Fixation	Haltearm	Cuchara, Conj.	
26	3009492X1	2	Bolt - Hex. M10 X 25	Boulon M10 X 25	Schraube M10 X 25	Tornillo	
27	339376X1	2	Washer M10-18-2 Zsp	Rondelle Frein	Federring	Arandela De Freno	
28	390734X1	2	Washer M10-21-2 Z	Rondelle - M10	Unterlegscheibe	Arandela	
29	394367X1	2	Nut, Hex. - Nyloc, M8	Ecrou Blocage M8	Flachmutter - M8	Tuerca De Retención	

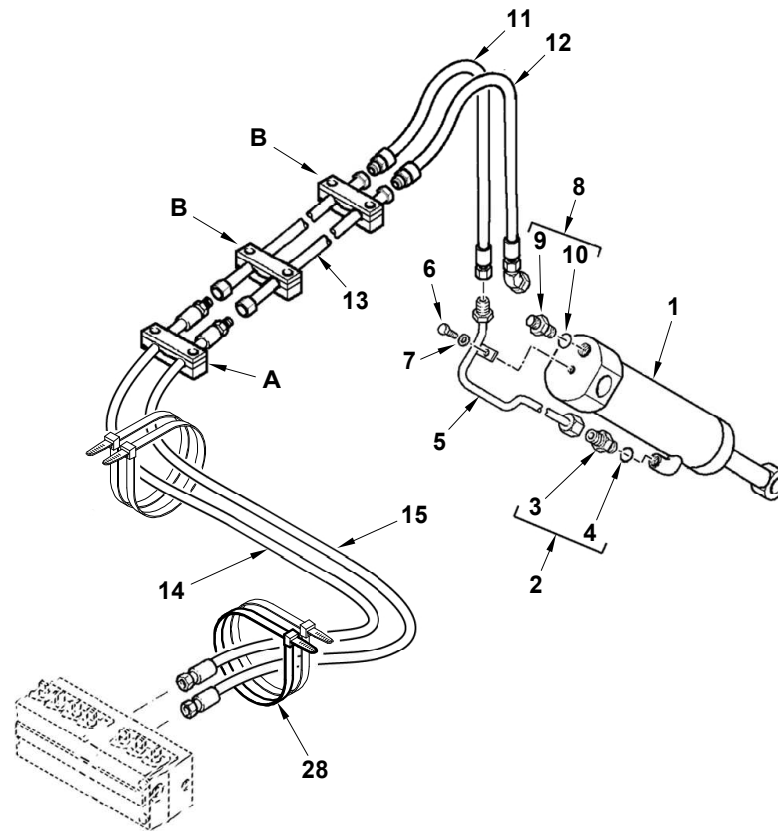
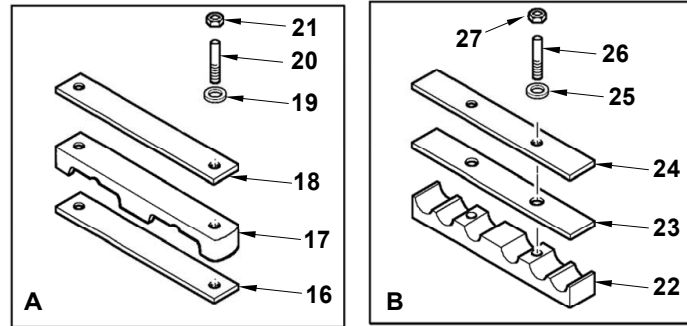


C-76036-10.1-A



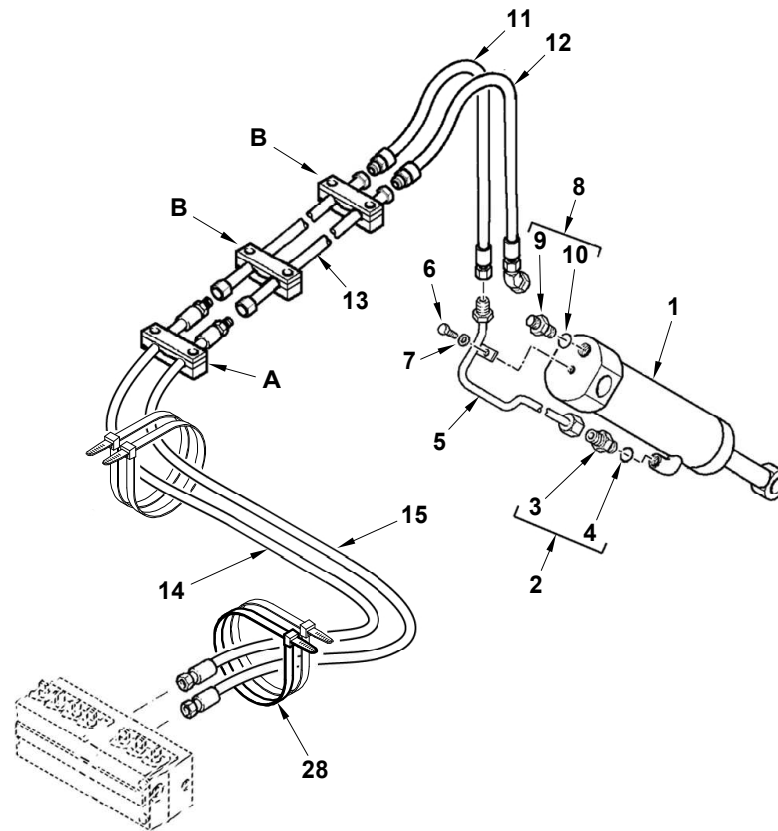
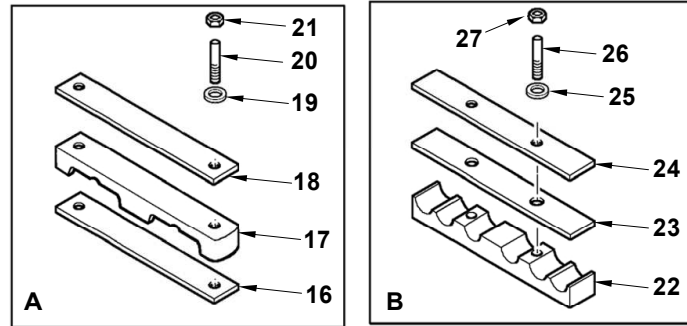
Item	Part No.	Qty.	English	French	German	Spanish	Remarks
30	390972X1	2	Washer M8-17-1 Zwl	Rondelle M8	Scheibe - M8	Arandela	
31	515-22159	1	Clip-Coated P	Collier De Serrage	Klemme	Argolla De Fijación	
32	6101215M1	1	Plate - Clamp	Plaque	Platte	Placa	
33	6101216M1	1	Clamp-Lh Hose	Collier De Serrage	Schlauchbinder	Argolla De Cierre	
34	6102197M1	1	Pad-Neoprene	Plaque De Caoutchouc	Gummiplatte	Placa, Caucho	
35	6111437M91	1	Clamp - Hose Plate Assy.	Collier	Halteschelle	Placa, Conj.	
36	394367X1	2	Nut, Hex. - Nyloc, M8	Ecrou Blocage M8	Flachmutter - M8	Tuerca De Retención	
37	390972X1	2	Washer M8-17-1 Zwl	Rondelle M8	Scheibe - M8	Arandela	
38	3009492X1	2	Bolt - Hex. M10 X 25	Boulon M10 X 25	Schraube M10 X 25	Tornillo	
39	339376X1	2	Washer M10-18-2 Zsp	Rondelle Frein	Federring	Arandela De Freno	
40	390734X1	2	Washer M10-21-2 Z	Rondelle - M10	Unterlegscheibe	Arandela	
41	6101215M1	1	Plate - Clamp	Plaque	Platte	Placa	
42	6101216M1	1	Clamp-Lh Hose	Collier De Serrage	Schlauchbinder	Argolla De Cierre	
43	6102197M1	1	Pad-Neoprene	Plaque De Caoutchouc	Gummiplatte	Placa, Caucho	
44	6111551M91	1	Bracket- Hose Clamp LH W/A	Support Fixation	Haltearm	Cuchara, Conj.	

C-76037-01.1-B



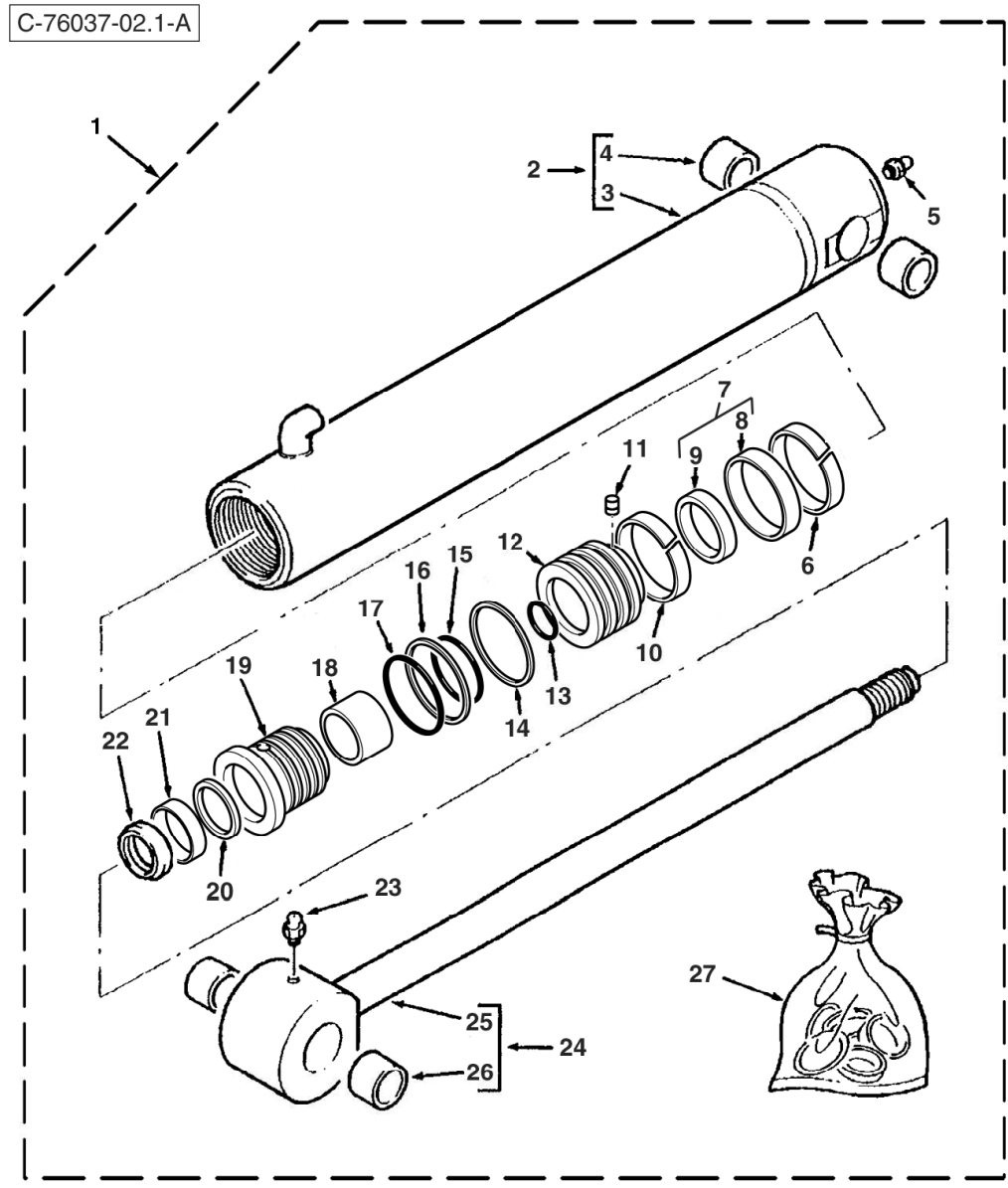
Item	Part No.	Qty.	English	French	German	Spanish	Remarks
1	#CYLINDER ASSY	1	Cylinder Assy	Cylinder Assy	Cylinder Assy	Cylinder Assy	76037c02.1 1 76037c02.2 1
2	835013M91	1	Connector 7/8 Jic	Raccord	Schraubanschluss	Conexión, Conj.	
3	#UNION	1	Union	Union	Union	Union	Ref. 2
4	835024M1	1	Ring O - Boa	Joint Torique	O Ring	Junta De Tipo O	
5	6111161M91	1	Tube Assembly - Digger Bucket Cylinder	Tuyauterie	Rohrleitung Kplt	Conjunto De Tubería	Tba Wipro
5	6101540M91	1	Tube Assy Bucket	Tuyauterie	Rohrleitung Kplt	Conjunto De Tubería	Tba Pacoma
6	339123X1	1	Bolt M8-20 Z5f	Boulon M8 X 20	Maschschraube M8	Perno	
7	385361X1	1	Washer M8 Hardened	Rondelle M8	Scheibe M8	Arandela	
8	835013M91	1	Connector 7/8 Jic	Raccord	Schraubanschluss	Conexión, Conj.	
9	#UNION	1	Union	Union	Union	Union	Ref. 8
10	835024M1	1	Ring O - Boa	Joint Torique	O Ring	Junta De Tipo O	
11	#HOSE ASSY	1	Hose Assy	Hose Assy	Hose Assy	Hose Assy	Brown
12	#HOSE ASSY	1	Hose Assy	Hose Assy	Hose Assy	Hose Assy	White
13	6111137M91	2	Tube Assy - Bkt 4.5m Boom	Ensemble Tube	Rohr Kpl	Conjunto De Tubería	Ec05/328
13	6101771M91	2	Tube-Bucket-4.5m Boom	Tuyauterie	Rohrleitung Kplt	Conjunto De Tubería	Ec05/328
14	6111141M91	1	Hose Assy - Bucket Rod (Brown S/Shift)	Ensemble Durit	Schlauch Kplt	Flexible, Conj.	Brown Ec05/328
14	6108762M91	1	Hose-Ss Bucket Rod	Flexible Ass.	Schlauch Kplt	Flexible, Conj.	Brown Ec05/328
15	6111142M91	1	Hose Assy - Bucket HD (White S/Shift)	Ensemble Durit	Schlauch Kplt	Flexible, Conj.	White Ec05/328
15	6108763M91	1	Hose-Ss Bucket HD	Flexible Ass.	Schlauch Kplt	Flexible, Conj.	White Ec05/328
16	6102128M1	1	Pad-Neoprene	Plaque Antidérapante	Zwischenlage	Cinta Antideslizante	
17	6102122M1	1	Clamp	Collier De Serrage	Klemme	Brida De Fijación	
18	6102130M1	1	Plate-Clamp	Plaque	Platte	Placa	
19	390972X1	2	Washer M8-17-1 Zwl	Rondelle M8	Scheibe - M8	Arandela	
20	3516075M1	2	Stud M8-65 Z5	Goujon	Stehbolzen	Espárrago	
21	394367X1	2	Nut, Hex. - Nyloc, M8	Ecrou Blocage M8	Flachmutter - M8	Tuerca De Retención	
22	6102126M1	2	Clamp	Collier De Serrage	Klemme	Brida De Fijación	
23	6102145M1	2	Pad-Neoprene	Plaque Antidérapante	Zwischenlage	Cinta Antideslizante	
24	6102124M1	2	Plate-Top	Plaque	Platte	Placa	
25	390972X1	4	Washer M8-17-1 Zwl	Rondelle M8	Scheibe - M8	Arandela	
26	6108049M1	4	Stud M8	Goujon	Stehbolzen	Espárrago	

C-76037-01.1-B



Item	Part No.	Qty.	English	French	German	Spanish	Remarks
27	394367X1	4	Nut, Hex. - Nyloc, M8	Ecrou Blocage M8	Flachmutter - M8	Tuerca De Retención	
28	8000-1379	4	Tie Wrap (530 X 13mm)	Bride	Buegel	Banda	

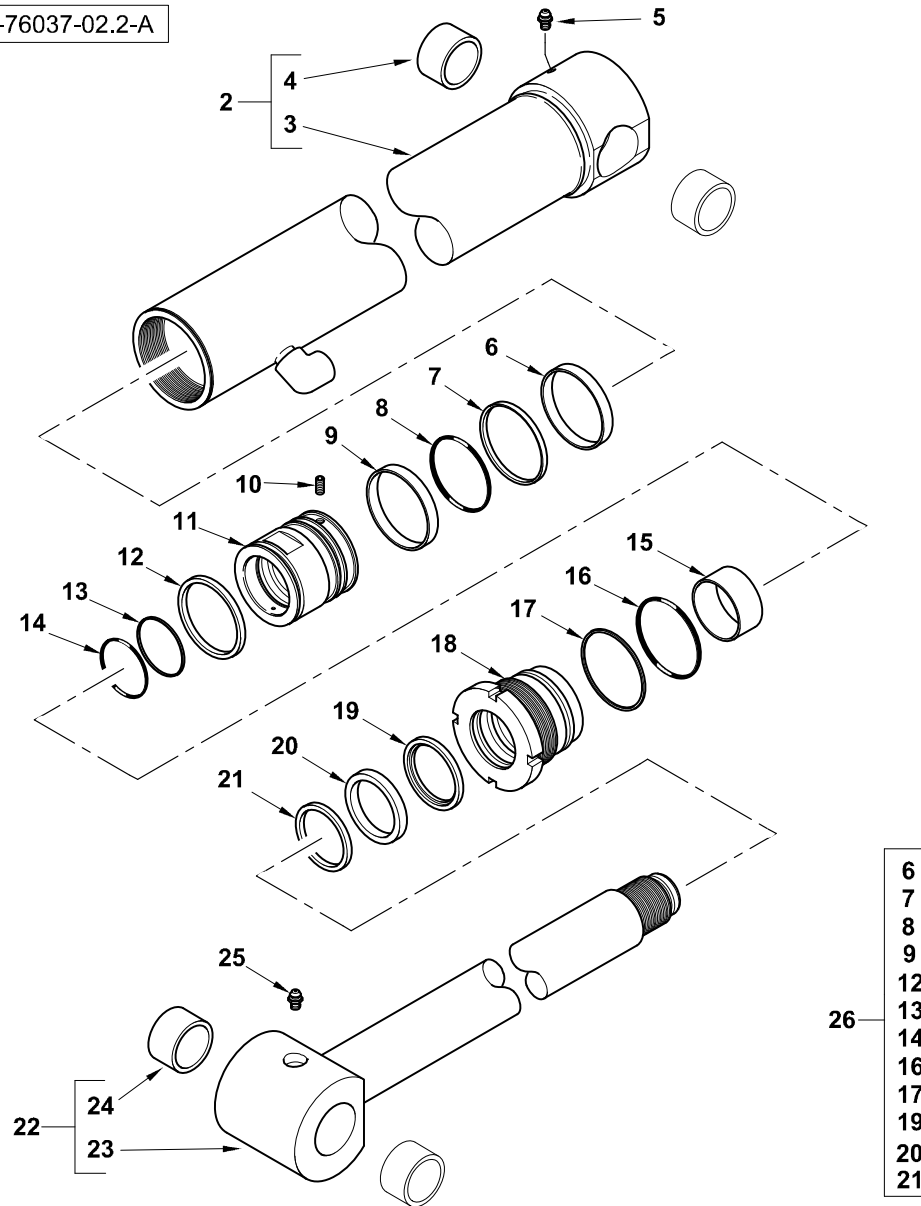




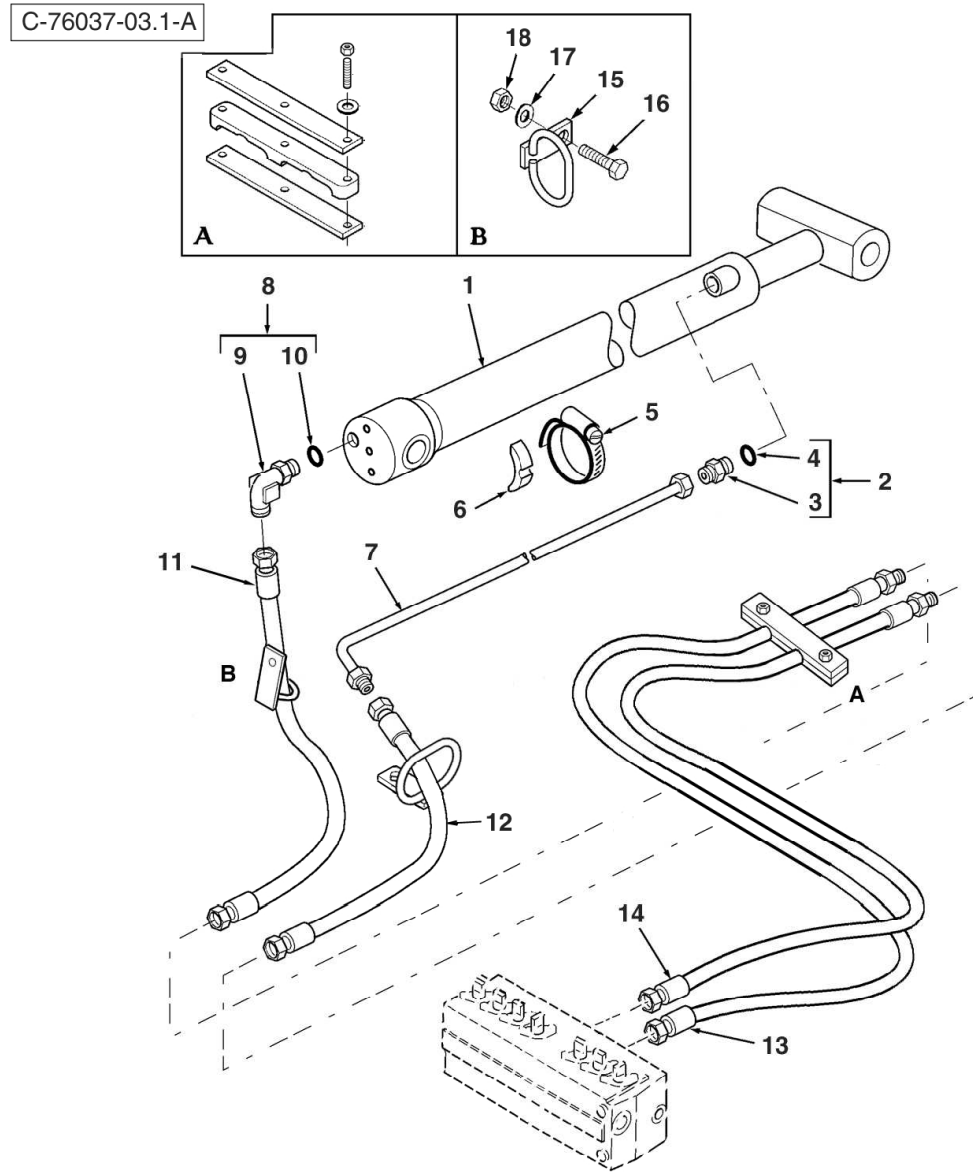
Item	Part No.	Qty.	English	French	German	Spanish	Remarks
1	5000126M91GY02	1	Cylinder Digger Bucket (Benford Grey)	L´Hie Hydraulique	Zylinder Hydr.	Gato, Conj.	Tba [76037c01.1 1]
2	5004008M91	1	Barrel Assy	Cylindre	Zylinder	Cilindro	
3	#TUBE, CYLINDER	1	Tube, Cylinder	Tube, Cylinder	Tube, Cylinder	Tube, Cylinder	Ref. 2
4	#BUSHING	1	Bushing	Douille	Busche	Boccola	
5	339608X1	1	Grease Nipple - M10 X 1 (Zinc)	Nipple De Graissage	Schmiernippel	Engrasador	
6	3485892M1	1	Guide Ring Piston	Bague D´Étanchéité	Dichtungsring	Anillo, Estanqueidad	
7	3485245M91	1	Seal Assy Piston	Joint Ass.	Dichtung Kplt	Junta, Conj.	
8	#SEAL	1	Seal	Joint Étanchéité	Dichtring	Retén	Ref. 7
9	#RING	1	Ring	Anneau	Ring	Aro	Ref. 7
10	3485892M1	1	Guide Ring Piston	Bague D´Étanchéité	Dichtungsring	Anillo, Estanqueidad	
11	3402928M1	1	Screw, Socket Head - Piston Locating	Vis Tête Hex	Zylinderschraube	Tornillo	
12	3623372M1	1	Piston	Piston	Kolben	Pistón	
13	359186X1	1	O-Ring	Joint Torique	O-Ring	Junta De Tipo O	
14	3623061M1	1	Ring Piston	Segment De Piston	Kolbenring	Segmento De Pistón	
15	359193X1	1	O-Ring	Joint Torique	O-Ring	Junta De Tipo O	
16	1606735M1	1	Ring Back-Up	Contre Bague	Stützring	ContraJunta	
17	3487207M1	1	O-Ring	Joint Torique	O-Ring	Junta De Tipo O	
18	3484615M1	1	Guide Ring	Anneau	Ring	Aro	
19	3623371M1	1	Gland - Bucket Cylinder	Presse Étoupe	Stopfbuchse	Cojinete	
20	3484055M1	1	Ring Buffer	Anneau	Ring	Aro	
21	3485185M1	1	Seal	Joint D´Arbre	Wellendichtring	Junta	
22	3487015M1	1	Wiper Ring	Anneau	Ring	Aro	
23	339608X1	1	Grease Nipple - M10 X 1 (Zinc)	Nipple De Graissage	Schmiernippel	Engrasador	
24	5004012M91	1	Piston Rod Assy - Nla	Tige De Vérin	Kolbenstange	Vástago Cilindro	
25	#ROD, PISTON	1	Rod, Piston	Rod, Piston	Rod, Piston	Rod, Piston	Ref. 24
26	#BUSHING	1	Bushing	Douille	Busche	Boccola	
27	3623373M91	1	Kit Seal	Jeu Etancheite	Dichtringsatz	Juego De Juntas	



C-76037-02.2-A

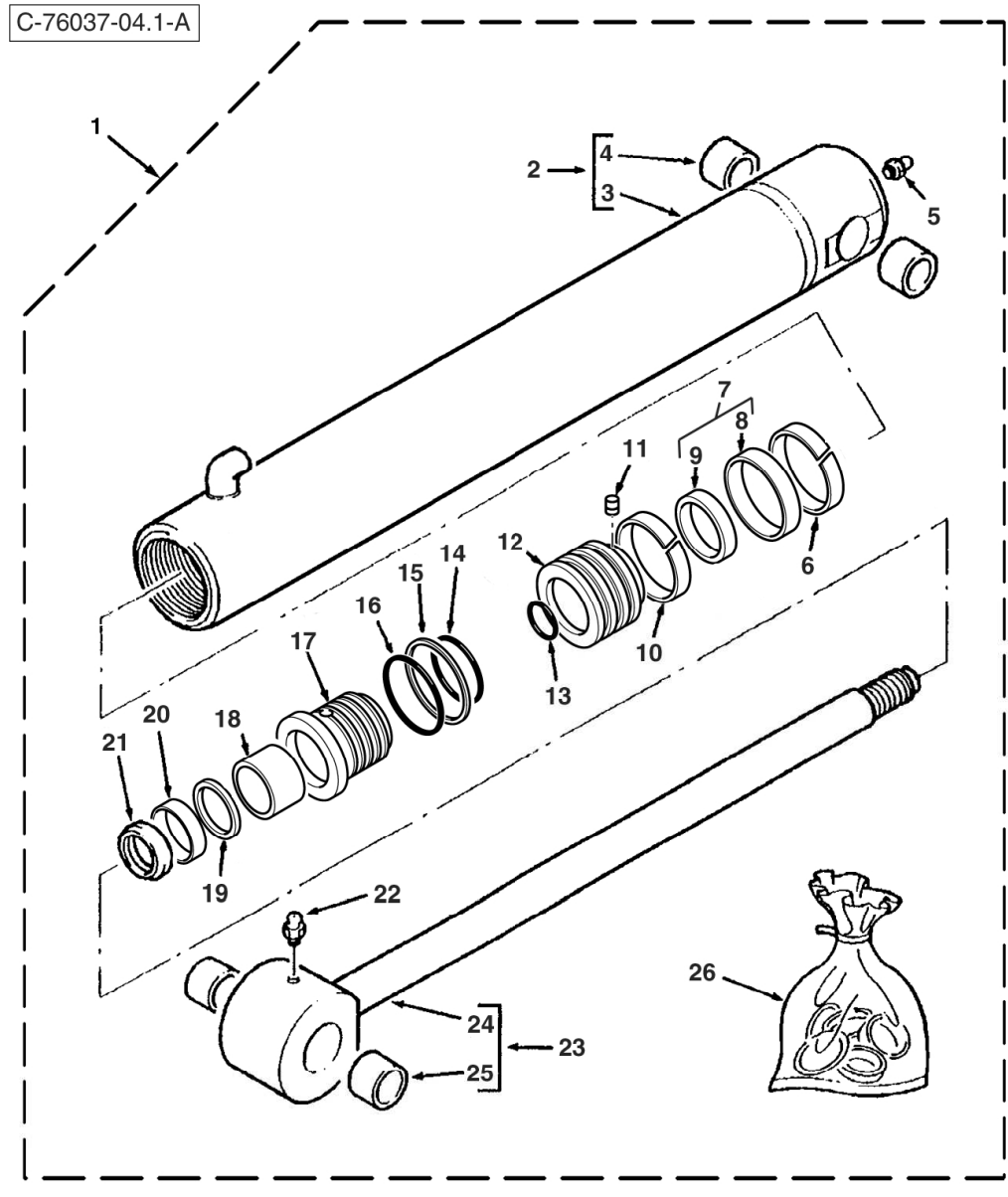


Item	Part No.	Qty.	English	French	German	Spanish	Remarks
1	6111070M91GY03	1	Cylinder- Digger Bucket	Cylindre	Zylinder	Gato, Conj.	Tba [76037c01.1 1]
2	6194629M91	1	Barrel - Cylinder	Corps Cylindre	Zylindergehäuse	Tubo	
3	#TUBE	1	Tube	Tube	Tube	Tube	Ref. 2
4	6194562M1	2	Bush	Douille	Büchse	Casquillo	
5	6194542M1	1	Nipple - Grease	Graisseur Coude	Nippel	Manguito, Engrasador	
6	6194634M1	1	Bearing - Piston	Coussinet	Lager	Teniendo - Pistón	
7	6194635M1	1	Seal - Piston	Joint Étanchéité	Dichtring	Junta	
8	6194636M1	1	O Ring (Std)	Joint Torique	O Ring	Junta De Tipo O	
9	6194634M1	1	Bearing - Piston	Coussinet	Lager	Teniendo - Pistón	
10	6194633M1	1	Set Screw - Hex Socket	Vis Tete Hex	Zylinderschraube	Tornillo De Ajuste	
11	6194631M1	1	Piston	Piston	Kolben	Pistón	
12	6194637M1	1	Ring - Piston	Segment Piston	Kolbenring	Segmento De Pistón	
13	6194625M1	1	Ring - Back Up	Contre Bague	Stutzring	ContraJunta	
14	6194624M1	1	O Ring (Std)	Joint Torique	O Ring	Junta De Tipo O	
15	6194541M1	1	Bush - Bimetal	Douille	Büchse	Juego De Anillos	
16	6194640M1	1	O Ring (Std)	Joint Torique	O Ring	Junta De Tipo O	
17	6194641M1	1	Ring - Back Up	Contre Bague	Stutzring	ContraJunta	
18	6194632M1	1	End Cover - Head	Couvercle	Deckel	Tapa	
19	6194638M1	1	Seal - Rod (Primary)	Joint Étanchéité	Dichtring	Junta	
20	6194639M1	1	Seal- Rod (Secondary)	Joint Étanchéité	Dichtring	Junta	
21	6194554M1	1	Wiper	Essuyeur	Wischer	Raspador, Escobilla	
22	6194630M91	1	Rod - Piston	Bielle De Piston	Pleuelstange	Rod - Pistón	
23	#ROD	1	Rod	Rod	Rod	Rod	Ref. 22
24	6194562M1	2	Bush	Douille	Büchse	Casquillo	
25	6194542M1	1	Nipple - Grease	Graisseur Coude	Nippel	Manguito, Engrasador	
26	6194642M91	0	Seal Kit	Jeu Etancheite	Dichtringsatz	Juego De Juntas	



Item	Part No.	Qty.	English	French	German	Spanish	Remarks
1	#CYLINDER ASSY	1	Cylinder Assy	Cylinder Assy	Cylinder Assy	Cylinder Assy	76037c04.1 1 76037c04.2 1
2	835013M91	1	Connector 7/8 Jic	Raccord	Schraubanschluss	Conexión, Conj.	
3	#UNION	1	Union	Union	Union	Union	Ref. 2
4	835024M1	1	Ring O - Boa	Joint Torique	O Ring	Junta De Tipo O	
5	3517733M1	1	Clamp Hose 130-150	Collier De Serrage	Schlauchbinder	Argolla De Cierre	
6	D142787	1	Saddle (See 142787d)	Selle	Sattel	Bloque De Caucho	
7	#TUBE ASSY	1	Tube Assy	Tube Assy	Tube Assy	Tube Assy	
8	#ELBOW	1	Elbow	Elbow	Elbow	Elbow	
9	#ELBOW	1	Elbow	Elbow	Elbow	Elbow	Ref. 8
10	#O-RING	1	O-Ring	Joint Torique	O-Ring	Junta Tórica	
11	6101738M91	1	Hose-Dipper Head	Flexible Ass.	Schlauch Kplt	Flexible, Conj.	Yellow
12	6101737M91	1	Hose-Dipper Rod	Flexible Ass.	Schlauch Kplt	Flexible, Conj.	Red
13	6108767M91	1	Hose-Ss Dipper HD	Flexible Ass.	Schlauch Kplt	Flexible, Conj.	Yellow
14	6108766M91	1	Hose-Ss Dipper Rod	Flexible Ass.	Schlauch Kplt	Flexible, Conj.	Red
15	6101491M92	2	Hose Hoop Assy	Ensemble De Support	Haltevorrichtung Kpl.	Apoyadero, Conj.	
16	339761X1	2	Bolt M8-25 Z5f	Goupille	Bolzen M8 X 25	Tornillo	
17	390972X1	2	Washer M8-17-1 Zwel	Rondelle M8	Scheibe - M8	Arandela	
18	394367X1	2	Nut, Hex. - Nyloc, M8	Ecrou Blocage M8	Flachmutter - M8	Tuerca De Retención	

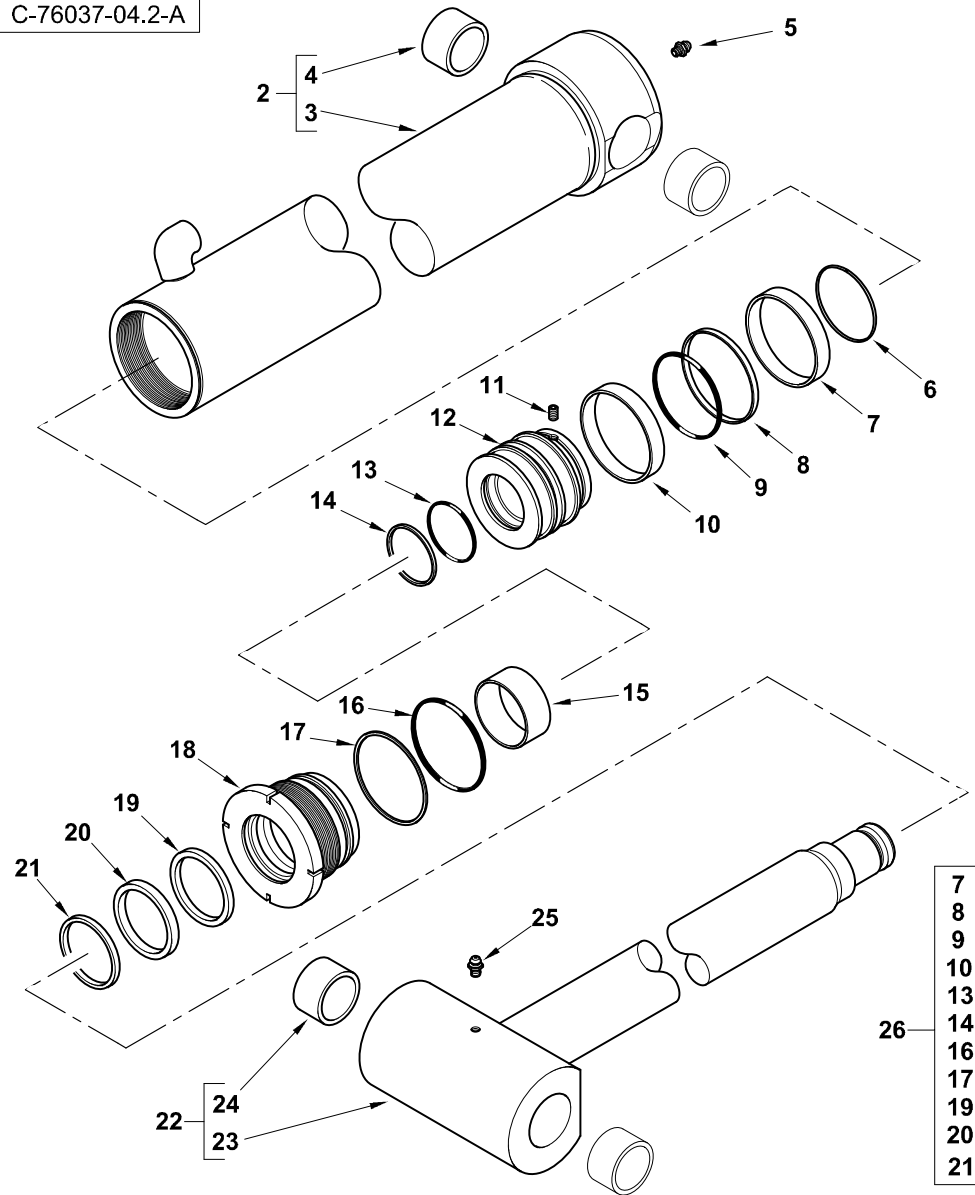




Item	Part No.	Qty.	English	French	German	Spanish	Remarks
1	5000124M91GY02	1	Cylinder Dipperstick (Benford Grey)	L´Hie Hydraulique	Zylinder Hydr.	Gato, Conj.	Tba [76037c03.1 1]
2	5003982M91	1	Barrel Assy. - Dipper Cylinder	Corps Cylindre	Zylindergehäuse	Cilindro	
3	#TUBE, CYLINDER	1	Tube, Cylinder	Tube, Cylindre	Tube, Cylinder	Tube, Cylinder	Ref. 2
4	3484843M1	1	Bush, Hydr. Cylinders	Douille	Buechse	Casquillo	
5	339608X1	1	Grease Nipple - M10 X 1 (Zinc)	Nipple De Graissage	Schmiernippel	Engrasador	
6	3485891M1	1	Guide Ring Piston	Anneau	Ring	Aro	
7	3485247M91	1	Seal Piston	Joint	Dichtung	Junta, Conj.	
8	#SEAL	1	Seal	Joint Étanchéité	Dichtring	Retén	Ref. 7
9	#RING	1	Ring	Anneau	Ring	Aro	Ref. 7
10	3485891M1	1	Guide Ring Piston	Anneau	Ring	Aro	
11	3402928M1	1	Screw, Socket Head - Piston Locating	Vis Tête Hex	Zylinderschraube	Tornillo	
12	5003989M1	1	Piston	Piston	Kolben	Pistón	
13	3007182X1	1	O-Ring	Joint Torique	O-Ring	Junta De Tipo O	
14	359196X1	1	O Ring	Joint Torique	O Ring	Junta De Tipo O	
15	378545X1	1	Ring - Backup	Contre Bague	Stutzring	Aro	
16	3487908M1	1	O Ring, Hydr. Cylinder	Joint Torique	O Ring	Junta De Tipo O	
17	5003988M1	1	Bearing Cylinder	Roulement	Lager	Cojinete	
18	3623193M1	1	Guide Ring	Anneau	Ring	Aro	
19	3443388M1	1	Ring - Back Up	Anneau	Ring	Aro	
20	3443472M1	1	Seal	Joint D´Arbre	Wellendichtring	Junta	
21	3403385M1	1	Wiper Ring	Joint De Racleur	Abstreifdichtung	Junta Raspador	
22	339608X1	1	Grease Nipple - M10 X 1 (Zinc)	Nipple De Graissage	Schmiernippel	Engrasador	
23	5003985M91	1	Piston Rod Assy	Tige De Vérin	Kolbenstange	Vástago Cilindro	
24	#ROD, PISTON	1	Rod, Piston	Rod, Piston	Rod, Piston	Rod, Piston	Ref. 23
25	3484843M1	1	Bush, Hydr. Cylinders	Douille	Buechse	Casquillo	
26	5004401M91	1	Kit Seal	Jeu Étanchéité	Dichtringsatz	Juego De Juntas	



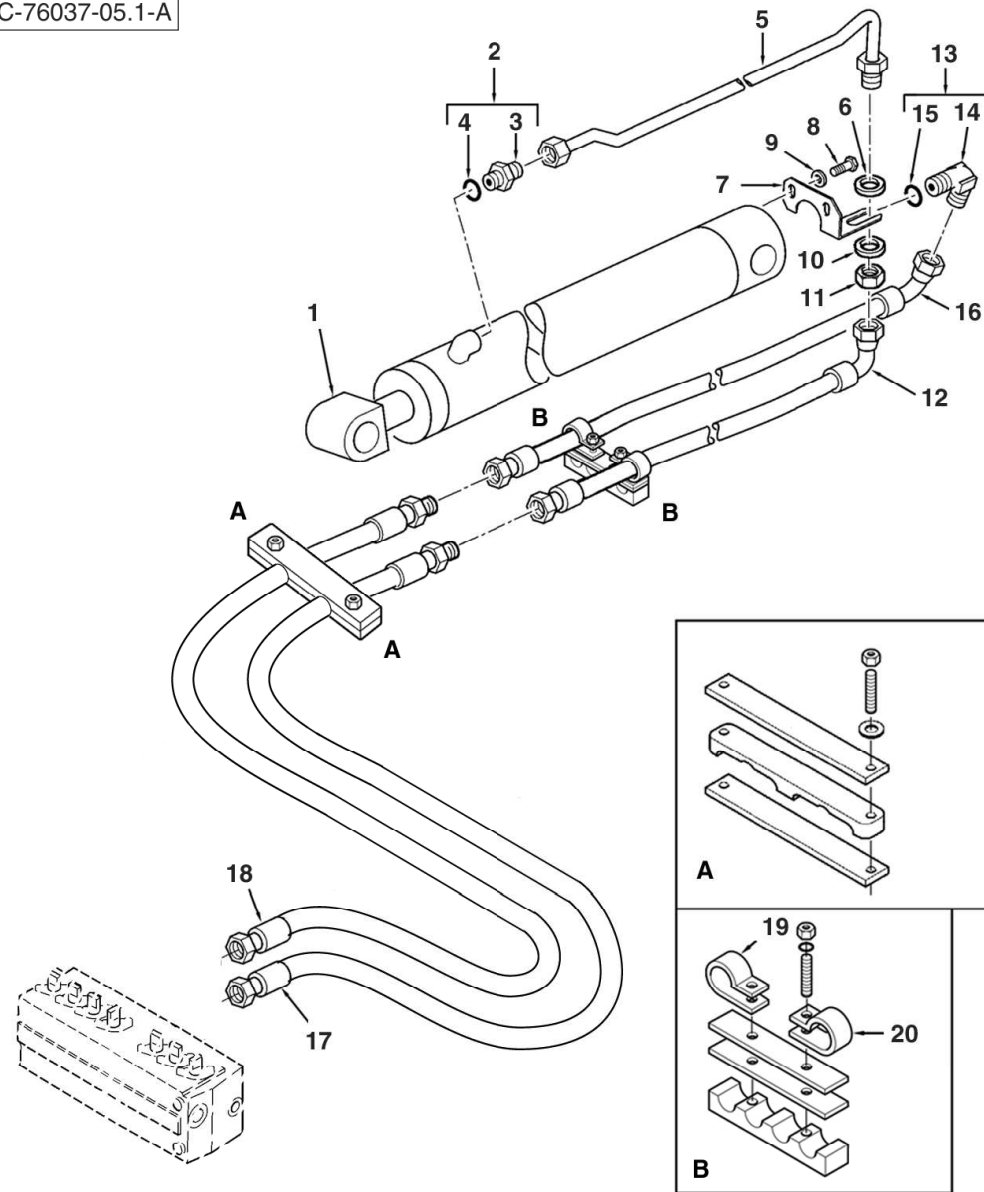
C-76037-04.2-A



Item	Part No.	Qty.	English	French	German	Spanish	Remarks
1	6111069M91GY03	1	Cylinder - Dipperstick	Cylindre	Zylinder	Gato, Conj.	Tba [76037c03.1 1]
2	6194615M91	1	Barrel - Cylinder	Corps Cylindre	Zylindergehäuse	Conjunto De Tubería	
3	#TUBE	1	Tube	Tube	Tube	Tube	Ref. 2
4	6194562M1	2	Bush	Douille	Büchse	Casquillo	
5	6194542M1	1	Nipple - Grease	Graisseur Coude	Nippel	Manguito, Engrasador	
6	6194620M1	1	Ring - Snap	Fermeoir	Sprengring	Anillo De Resorte	
7	6194621M1	1	Bearing - Piston	Coussinet	Lager	Teniendo - Pistón	
8	6194622M1	1	Seal - Piston	Joint Étanchéité	Dichtring	Junta	
9	6194623M1	1	O Ring (Std)	Joint Torique	O Ring	Junta De Tipo O	
10	6194621M1	1	Bearing - Piston	Coussinet	Lager	Teniendo - Pistón	
11	6194619M1	1	Set Screw	Vis	Schraube	Tornillo De Ajuste	
12	6194617M1	1	Piston	Piston	Kolben	Pistón	
13	6194624M1	1	O Ring (Std)	Joint Torique	O Ring	Junta De Tipo O	
14	6194625M1	1	Ring - Back Up	Contre Bague	Stutzring	ContraJunta	
15	6194565M1	1	Bush - Bimetal	Douille	Büchse	Juego De Anillos	
16	6194626M1	1	O Ring (Std)	Joint Torique	O Ring	Junta De Tipo O	
17	6194627M1	1	Ring - Back Up	Contre Bague	Stutzring	ContraJunta	
18	6194618M1	1	End Cover - Head	Couvercle	Deckel	Tapa	
19	6194575M1	1	Seal - Rod (Primary)	Joint Étanchéité	Dichtring	Junta	
20	6194576M1	1	Seal- Rod (Secondary)	Joint Étanchéité	Dichtring	Junta	
21	6194573M1	1	Wiper	Essuyeur	Wischer	Raspador, Escobilla	
22	6194616M91	1	Rod - Piston	Bielle De Piston	Pleuelstange	Rod - Pistón	
23	#ROD	1	Rod	Rod	Rod	Rod	Ref. 22
24	6194562M1	2	Bush	Douille	Büchse	Casquillo	
25	6194542M1	1	Nipple - Grease	Graisseur Coude	Nippel	Manguito, Engrasador	
26	6194628M91	0	Seal Kit	Jeu Etancheite	Dichtringsatz	Juego De Juntas	

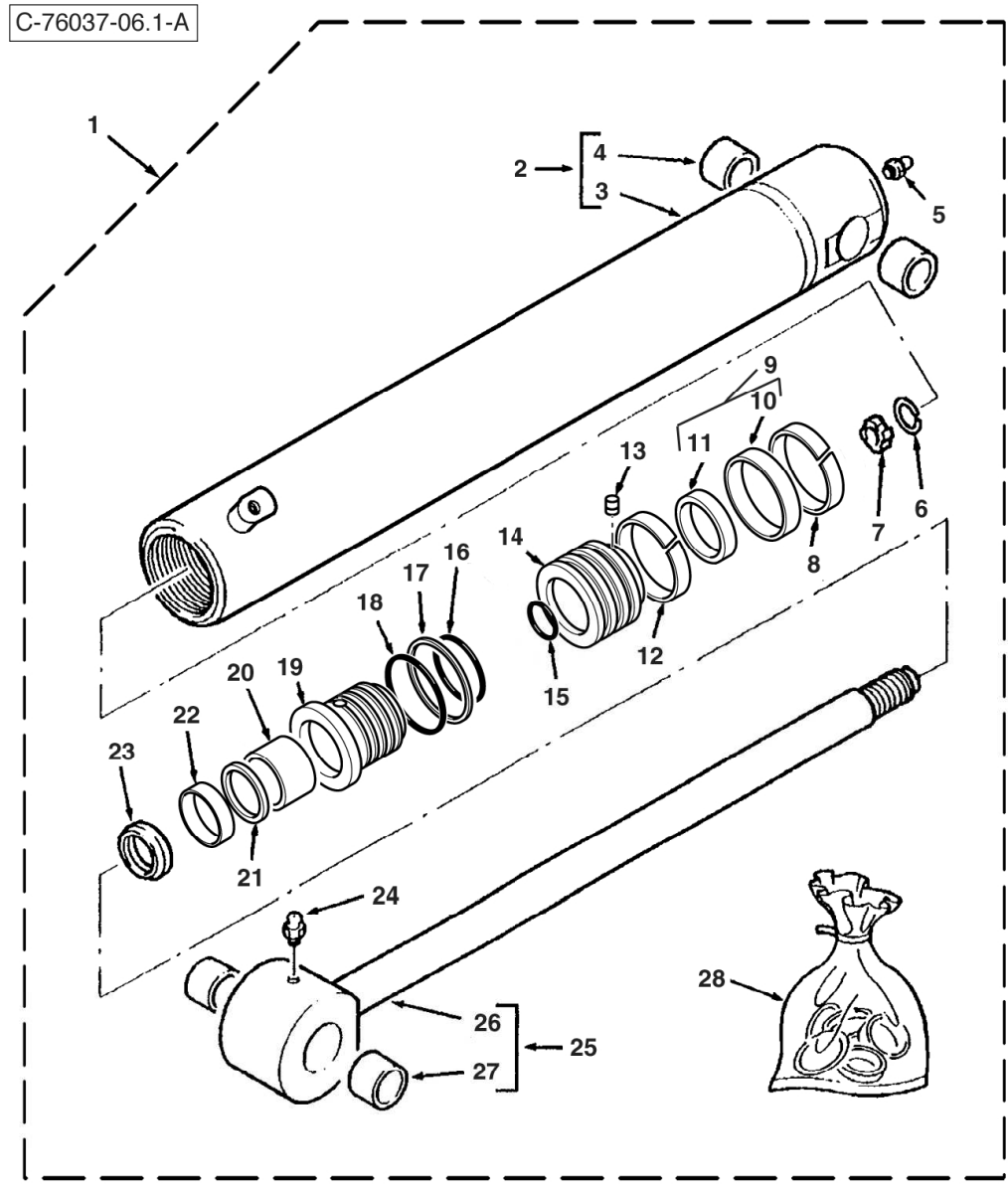


C-76037-05.1-A



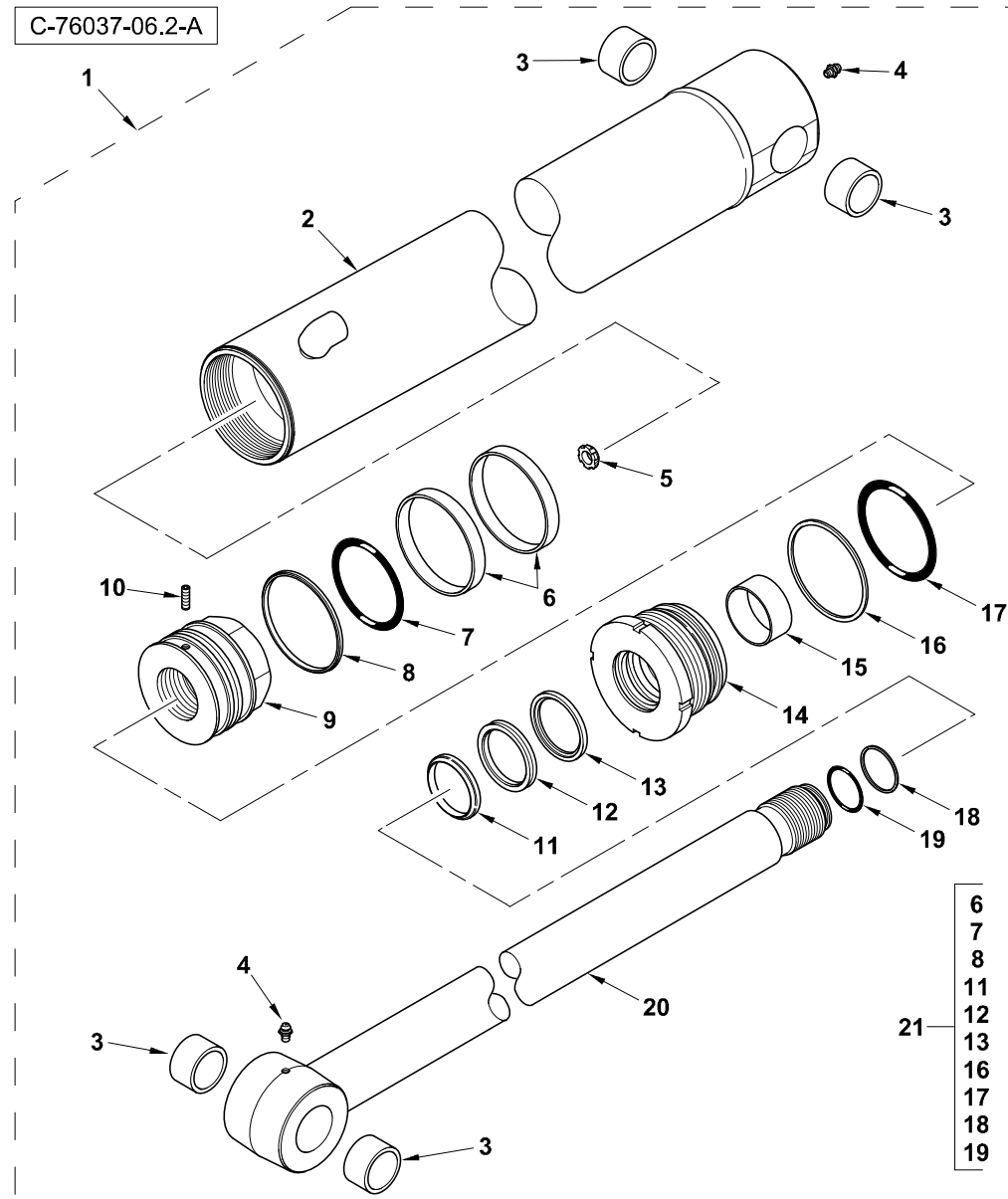
Item	Part No.	Qty.	English	French	German	Spanish	Remarks
1	6111078M91GY03	1	Cylinder Boom 4.5	Cylindre 4.5m	Zylinder 4.5m	Cilindro 4.5m	Wipro
1	5000122M91	1	Cylinder 4.5m B00m - Hi Spec	L´Hie Hydraulique	Zylinder Hydr.	Gato, Conj.	Pacoma
2	835013M91	1	Connector 7/8 Jic	Raccord	Schraubanschluss	Conexión, Conj.	
3	#UNION	1	Union	Union	Union	Union	Ref. 2
4	835024M1	1	Ring O - Boa	Joint Torique	O Ring	Junta De Tipo O	
5	6111165M92	1	Tube Assy - Boom Cyl. 4.5 (Hose Burst)	Tuyauterie	Rohrleitung Kplt	Conjunto De Tubería	Wipro
5	6101956M92	1	Tube Assy - Boom Cyl. 4.5 (Hose Burst)	Tuyauterie	Rohrleitung Kplt	Conjunto De Tubería	Pacoma
6	#WASHER	1	Washer	Rondelle	Unterlegscheibe	Arandela	
7	#BRACKET	1	Bracket	Bracket	Bracket	Bracket	
8	339228X1	2	Bolt, Hex. - M8 X 12 (Coarse)	Boulon M8 X 12	Maschschraube M8	Tornillo	
9	339374X1	2	Washer M8 -21-2 Z	Rondelle Frein - M8	Federring - M8	Arandela De Freno	
10	#WASHER	1	Washer	Rondelle	Unterlegscheibe	Arandela	
11	#NUT	1	Nut	Ecrou	Mutter	Tuerca	
12	#HOSE ASSY	1	Hose Assy	Hose Assy	Hose Assy	Hose Assy	Orange
13	#ELBOW	1	Elbow	Elbow	Elbow	Elbow	
14	#ELBOW	1	Elbow	Elbow	Elbow	Elbow	Ref. 13
15	#O-RING	1	O-Ring	Joint Torique	O-Ring	Junta Tórica	
16	6101736M92	1	Hose, "Blue" - Boom Cylinder Feed	Flexible	Schlauch	Flexible, Conj.	Blue
17	6108761M91	1	Hose-Ss Boom Rod	Flexible Ass.	Schlauch Kplt	Flexible, Conj.	Orange
18	6108760M91	1	Hose-Ss Boom HD	Flexible Ass.	Schlauch Kplt	Flexible, Conj.	Blue
19	515-23270	1	Clip-Coated P	Clip	Klips	Clip	
20	515-23206	1	P Clip Bsr081hs	Bride Pour Tutaux	Schlauchschelle	Abrazadera De Manguera	





Item	Part No.	Qty.	English	French	German	Spanish	Remarks
1	5000122M91	1	Cylinder 4.5m B00m - Hi Spec	L´Hie Hydraulique	Zylinder Hydr.	Gato, Conj.	76037c05.1 1
2	5003912M91	1	Barrel Assy	Cylindre	Zylinder	Cilindro	
3	#TUBE, CYLINDER	1	Tube, Cylinder	Tube, Cylinder	Tube, Cylinder	Tube, Cylinder	Ref. 2
4	#BUSHING	2	Bushing	Douille	Busche	Boccola	
5	339608X1	1	Grease Nipple - M10 X 1 (Zinc)	Nipple De Graissage	Schmiernippel	Engrasador	
6	1609899M1	1	Snap Ring	Anneau D´Arrêt	Sprengring	Anillo De Resorte	
7	1609328M1	1	Ring Cushioning	Anneau	Ring	Aro	
8	3403852M1	2	Ring, Guide - Piston	Anneau	Ring	Aro	
9	3485213M91	1	Seal Piston	Joint	Dichtung	Junta, Conj.	
10	#SEAL	1	Seal	Joint Étanchéité	Dichtring	Retén	Ref. 9
11	#SEAL	1	Seal	Joint Étanchéité	Dichtring	Retén	Ref. 9
13	3402928M1	1	Screw, Socket Head - Piston Locating	Vis Tête Hex	Zylinderschraube	Tornillo	
14	3484189M1	1	Piston	Piston	Kolben	Pistón	
15	3007182X1	1	O-Ring	Joint Torique	O-Ring	Junta De Tipo O	
16	359203X1	1	O-Ring	Joint Torique	O-Ring	Junta De Tipo O	
17	367120X1	1	Back-Up Ring	Contre Bague	Stützring	Aro	
18	3487909M1	1	O-Ring	Joint Torique	O-Ring	Junta De Tipo O	
19	3623202M1	1	Bearing	Roulement	Lager	Cojinete	
20	3623193M1	1	Guide Ring	Anneau	Ring	Aro	
21	3443388M1	1	Ring - Back Up	Anneau	Ring	Aro	
22	3443472M1	1	Seal	Joint D´Arbre	Wellendichtring	Junta	
23	3403385M1	1	Wiper Ring	Joint De Racleur	Abstreifdichtung	Junta Raspador	
24	339608X1	1	Grease Nipple - M10 X 1 (Zinc)	Nipple De Graissage	Schmiernippel	Engrasador	
25	3441629M91	1	Piston Rod Assy	Tige De Vérin	Kolbenstange	Vástago Cilindro	
26	#ROD, PISTON	1	Rod, Piston	Rod, Piston	Rod, Piston	Rod, Piston	Ref. 25
27	3484843M1	1	Bush, Hydr. Cylinders	Douille	Buechse	Casquillo	

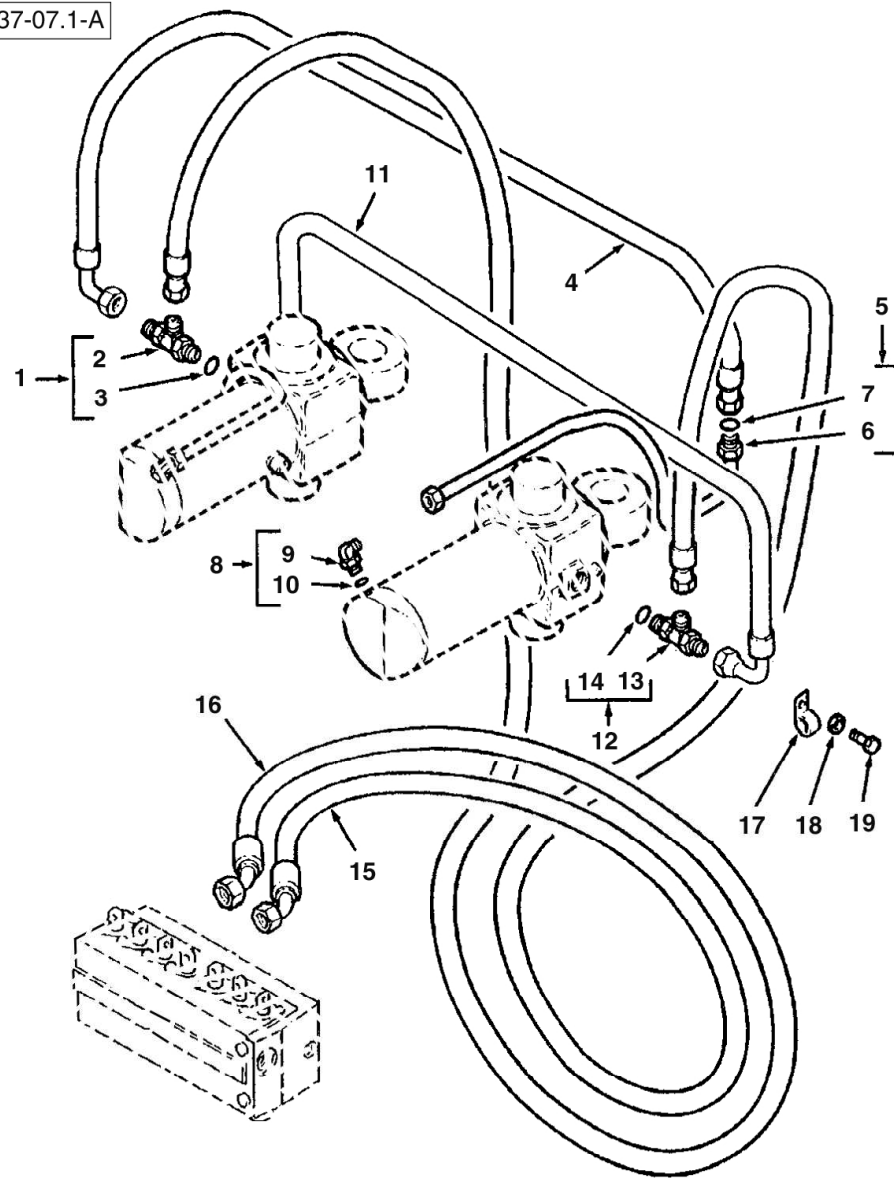




Item	Part No.	Qty.	English	French	German	Spanish	Remarks
1	6111078M91GY03	1	Cylinder Boom 4.5	Cylindre 4.5m	Zylinder 4.5m	Cilindro 4.5m	
2	6195249M91GY03	1	Tube - S/A (Terex Grey)	Tube - S/A (Terex Grey)	Tube - S/A (Terex Grey)	Tube - S/A (Terex Grey)	
3	6195253M1	4	Bush	Douille	Buchse	Casquillo	
4	6195255M1	2	Grease Nipple	Grease Nipple	Grease Nipple	Grease Nipple	
5	6195235M1	1	Ring - Cushion	Ring - Cushion	Ring - Cushion	Ring - Cushion	
6	6195259M1	2	Bearing - Piston	Bearing - Piston	Bearing - Piston	Bearing - Piston	
7	6195258M1	1	O - Ring	O - Ring	O - Ring	O - Ring	
8	6195257M1	1	Seal - Piston	Seal - Piston	Seal - Piston	Seal - Piston	
9	6195251M1	1	Piston	Piston	Piston	Piston	
10	6195254M1	1	Set Screw - Hex. Socket	Set Screw - Hex. Socket	Set Screw - Hex. Socket	Set Screw - Hex. Socket	
11	6194573M1	1	Wiper	Essuyeur	Wischer	Raspador, Escobilla	
12	6195262M1	1	Seal - Rod (Secondary)	Seal - Rod (Secondary)	Seal - Rod (Secondary)	Seal - Rod (Secondary)	
13	6194575M1	1	Seal - Rod (Primary)	Joint Étanchéité	Dichtring	Junta	
14	6195252M1	1	Cover - H.E.	Cover - H.E.	Cover - H.E.	Cover - H.E.	
15	6195256M1	1	Bush - Bimetal	Bush - Bimetal	Bush - Bimetal	Bush - Bimetal	
16	6195261M1	1	Ring - Back Up	Ring - Back Up	Ring - Back Up	Ring - Back Up	
17	6195260M1	1	O - Ring	O - Ring	O - Ring	O - Ring	
18	6194570M1	1	Ring - Back Up	Contre Bague	Stutzring	ContraJunta	
19	6195247M1	1	O - Ring	O - Ring	O - Ring	O - Ring	
20	6195250M91	1	Piston Rod - S/A	Piston Rod - S/A	Piston Rod - S/A	Piston Rod - S/A	
21	6195263M91	1	Seal Kit	Jeu Etancheite	Dichtringsatz	Juego Retenes	



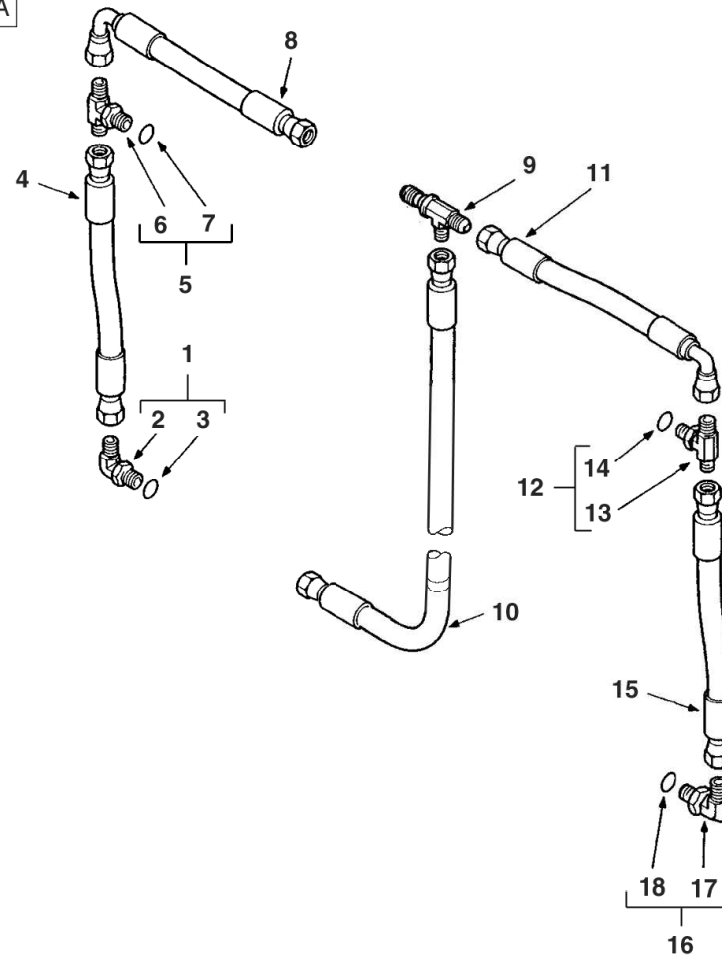
C-76037-07.1-A



Item	Part No.	Qty.	English	French	German	Spanish	Remarks
1	358728X91	1	Tee	Te	T-Stück	Te	
2	#TEE	1	Tee	Tee	Tee	Tee	Ref. 1
3	831497M1	1	O-Ring	Joint Torique	O-Ring	Junta De Tipo O	
4	6100716M91	1	Hose Slew Trsfr	Flexible Ass.	Schlauch Kplt	Flexible, Conj.	
5	6111175M92	1	Tube Assy Slew	Ensemble Tube	Rohr Kpl	Conj.De Tubo	RH Wipro
5	6100589M91	1	Tube Slew Trsf RH	Tuyauterie	Rohrleitung Kplt	Conjunto De Tubería	Pacoma
5	6100587M91	1	Tube Slew Trsf LH	Tuyauterie	Rohrleitung Kplt	Conjunto De Tubería	Pacoma
5	6111174M92	1	Tube Assy Slew	Ensemble Tube	Rohr Kpl	Conj. De Tubo	LH Wipro
6	#TUBE	1	Tube	Tube	Tube	Tube	Ref. 5
7	394923X1	1	O Ring	Joint Torique	O Ring	Junta De Tipo O	
8	357197X91	2	Elbow & O Ring	Coude	Kniestück, 90°	Codo, 90°	
9	#ELBOW	1	Elbow	Elbow	Elbow	Elbow	Ref. 8
10	831452M1	1	O Ring (Pack Of 10)	Joint Torique	O Ring	Junta De Tipo O	
11	6100716M91	1	Hose Slew Trsfr	Flexible Ass.	Schlauch Kplt	Flexible, Conj.	
12	358728X91	1	Tee	Te	T-Stück	Te	
13	#TEE	1	Tee	Tee	Tee	Tee	Ref. 12
14	831497M1	1	O-Ring	Joint Torique	O-Ring	Junta De Tipo O	
15	6107456M91	1	Hose-Iso Ss LH Swing	Flexible Ass.	Schlauch Kplt	Flexible, Conj.	
16	6107455M91	1	Hose-Iso Ss RH Swing	Flexible Ass.	Schlauch Kplt	Flexible, Conj.	
17	3517114M2	2	P - Clip	Collier De Fixation	Befestigungsschelle	Argolla De Fijación	
18	385361X1	2	Washer M8 Hardened	Rondelle M8	Scheibe M8	Arandela	
19	339228X1	2	Bolt, Hex. - M8 X 12 (Coarse)	Boulon M8 X 12	Maschschraube M8	Tornillo	



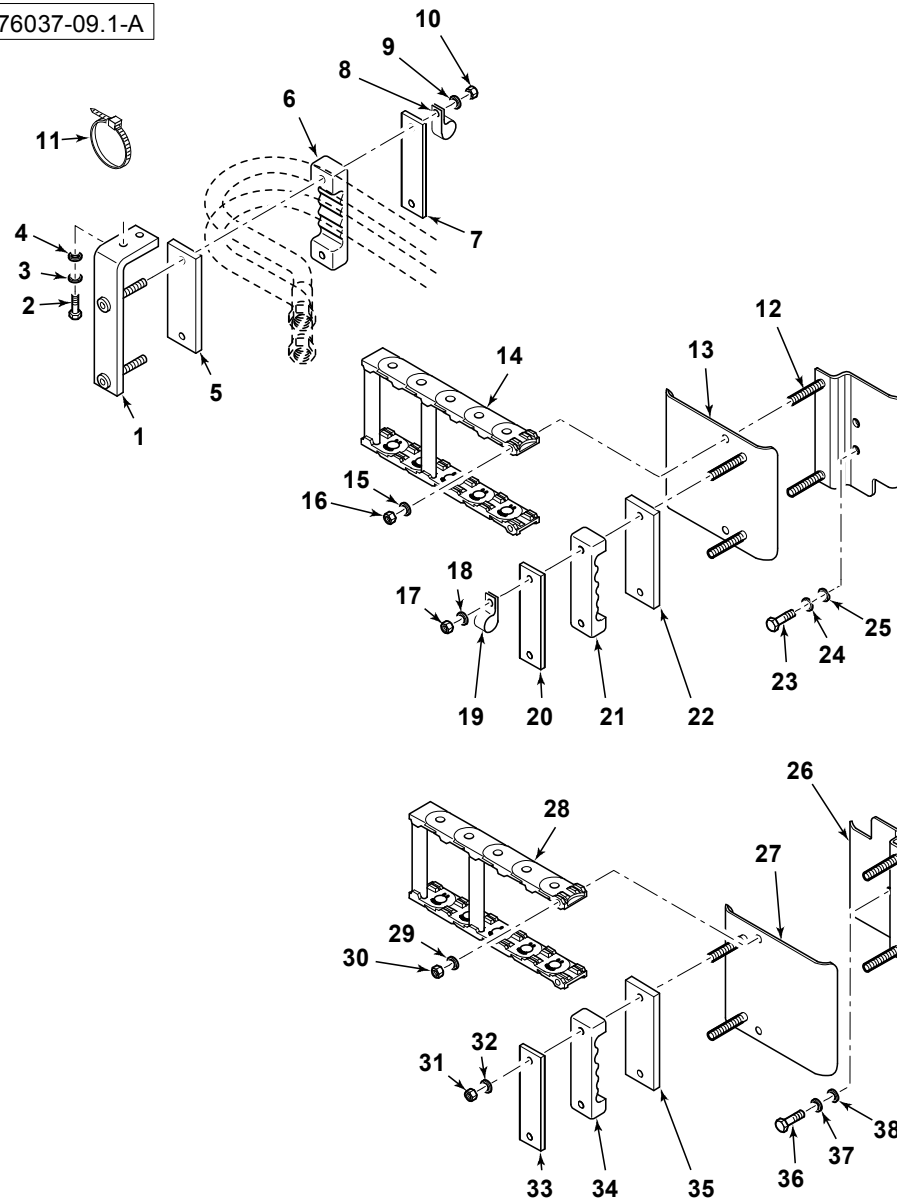
C-76037-08.1-A



Item	Part No.	Qty.	English	French	German	Spanish	Remarks
1	358761X91	1	Elbow 90 Deg	Coude, 90	Kniestück, 90	Codo, 90°	
2	#ELBOW	1	Elbow	Elbow	Elbow	Elbow	Ref. 1
3	831496M1	1	O-Ring	Joint Torique	O-Ring	Junta De Tipo O	
4	3521882M94	1	Hose-Clamp Elbow/Tee	Flexible Ass.	Schlauch Kplt	Flexible, Conj.	
5	358827X91	1	Tee 1/2 Sae 1/2 Jic	Te	T-Stück	Te	
6	#TEE	1	Tee	Tee	Tee	Tee	Ref. 5
7	831496M1	1	O-Ring	Joint Torique	O-Ring	Junta De Tipo O	
8	3521878M93	1	Hose Sleeved	Flexible Ass.	Schlauch Kplt	Flexible, Conj.	
9	356558X1	1	Tee 7/16 Male	Te	T-Stück	Te	
10	6110207M91	1	Hose Assembly - Clamp	Ensemble De Flexible	Schlauch Kpl.	Flexible, Conj.	
11	3521878M93	1	Hose Sleeved	Flexible Ass.	Schlauch Kplt	Flexible, Conj.	
12	358827X91	1	Tee 1/2 Sae 1/2 Jic	Te	T-Stück	Te	
13	#TEE	1	Tee	Tee	Tee	Tee	Ref. 12
14	831496M1	1	O-Ring	Joint Torique	O-Ring	Junta De Tipo O	
15	3521882M94	1	Hose-Clamp Elbow/Tee	Flexible Ass.	Schlauch Kplt	Flexible, Conj.	
16	358761X91	1	Elbow 90 Deg	Coude, 90	Kniestück, 90	Codo, 90°	
17	#ELBOW	1	Elbow	Elbow	Elbow	Elbow	Ref. 16
18	831496M1	1	O-Ring	Joint Torique	O-Ring	Junta De Tipo O	



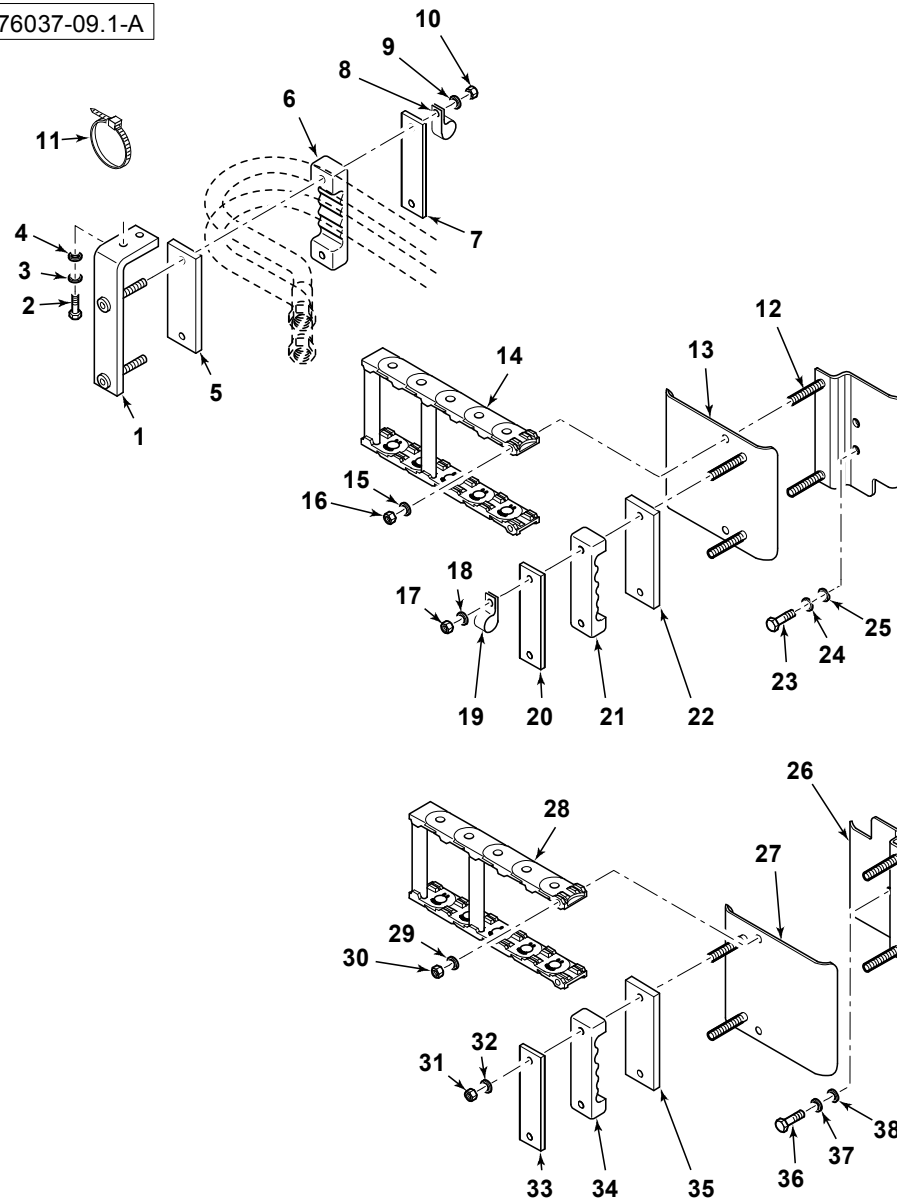
C-76037-09.1-A



Item	Part No.	Qty.	English	French	German	Spanish	Remarks
1	6107934M91	2	Bracket-Clamp	Patte Fixation	Halter	Brida De Fijación	
2	339761X1	4	Bolt M8-25 Z5f	Goupille	Bolzen M8 X 25	Tornillo	
3	390972X1	4	Washer M8-17-1 Zwel	Rondelle M8	Scheibe - M8	Arandela	
4	339374X1	4	Washer M8 -21-2 Z	Rondelle Frein - M8	Federring - M8	Arandela De Freno	
5	6102197M1	2	Pad-Neoprene	Plaque De Caoutchouc	Gummiplatte	Placa, Caucho	
6	6101859M1	1	Clamp-Rh Hose	Collier De Serrage	Schlauchbinder	Argolla De Cierre	
6	6101216M1	1	Clamp-Lh Hose	Collier De Serrage	Schlauchbinder	Argolla De Cierre	
7	6101215M1	2	Plate - Clamp	Plaque	Platte	Placa	
8	515-22159	1	Clip-Coated P	Collier De Serrage	Klemme	Argolla De Fijación	
9	390972X1	4	Washer M8-17-1 Zwel	Rondelle M8	Scheibe - M8	Arandela	
10	394367X1	4	Nut, Hex. - Nyloc, M8	Ecrou Blocage M8	Flachmutter - M8	Tuerca De Retención	
11	1862425M1	1	Tie 385mm T50I	Attache Cable	Kabelbinder	Enlace De Cable	
12	6102307M91	1	Bracket-Rh-W/Assy	Patte Fixation	Halter	Brida De Fijación	
13	6101424M91	1	Plate, Support - Digger Hoses	Ensemble De Plaque	Platte Kpl.	Placa, Conj.	
14	6102199M92	1	Hose Guide - Plastic Chain	Chaîne	Kette	Cadena	
15	390971X1	2	Washer M6-12-1 Zwel	Rondelle - M6	Scheibe - M6	Arandela	
16	1441500X1	2	Nut M6 Z5 Nyloc	Ecrou	Flachmutter M6	Tuerca De Retención	
17	394367X1	2	Nut, Hex. - Nyloc, M8	Ecrou Blocage M8	Flachmutter - M8	Tuerca De Retención	
18	390972X1	2	Washer M8-17-1 Zwel	Rondelle M8	Scheibe - M8	Arandela	
19	515-22159	1	Clip-Coated P	Collier De Serrage	Klemme	Argolla De Fijación	
20	6101215M1	1	Plate - Clamp	Plaque	Platte	Placa	
21	6101859M1	1	Clamp-Rh Hose	Collier De Serrage	Schlauchbinder	Argolla De Cierre	
22	6102197M1	1	Pad-Neoprene	Plaque De Caoutchouc	Gummiplatte	Placa, Caucho	
23	3009492X1	2	Bolt - Hex. M10 X 25	Boulon M10 X 25	Schraube M10 X 25	Tornillo	
24	339376X1	2	Washer M10-18-2 Zsp	Rondelle Frein	Federring	Arandela De Freno	
25	390734X1	2	Washer M10-21-2 Z	Rondelle - M10	Unterlegscheibe	Arandela	
26	6102308M91	1	Bracket-Lh-W/Assy	Patte Fixation	Halter	Brida De Fijación	
27	6101424M91	1	Plate, Support - Digger Hoses	Ensemble De Plaque	Platte Kpl.	Placa, Conj.	
28	6102199M92	1	Hose Guide - Plastic Chain	Chaîne	Kette	Cadena	
29	390971X1	2	Washer M6-12-1 Zwel	Rondelle - M6	Scheibe - M6	Arandela	

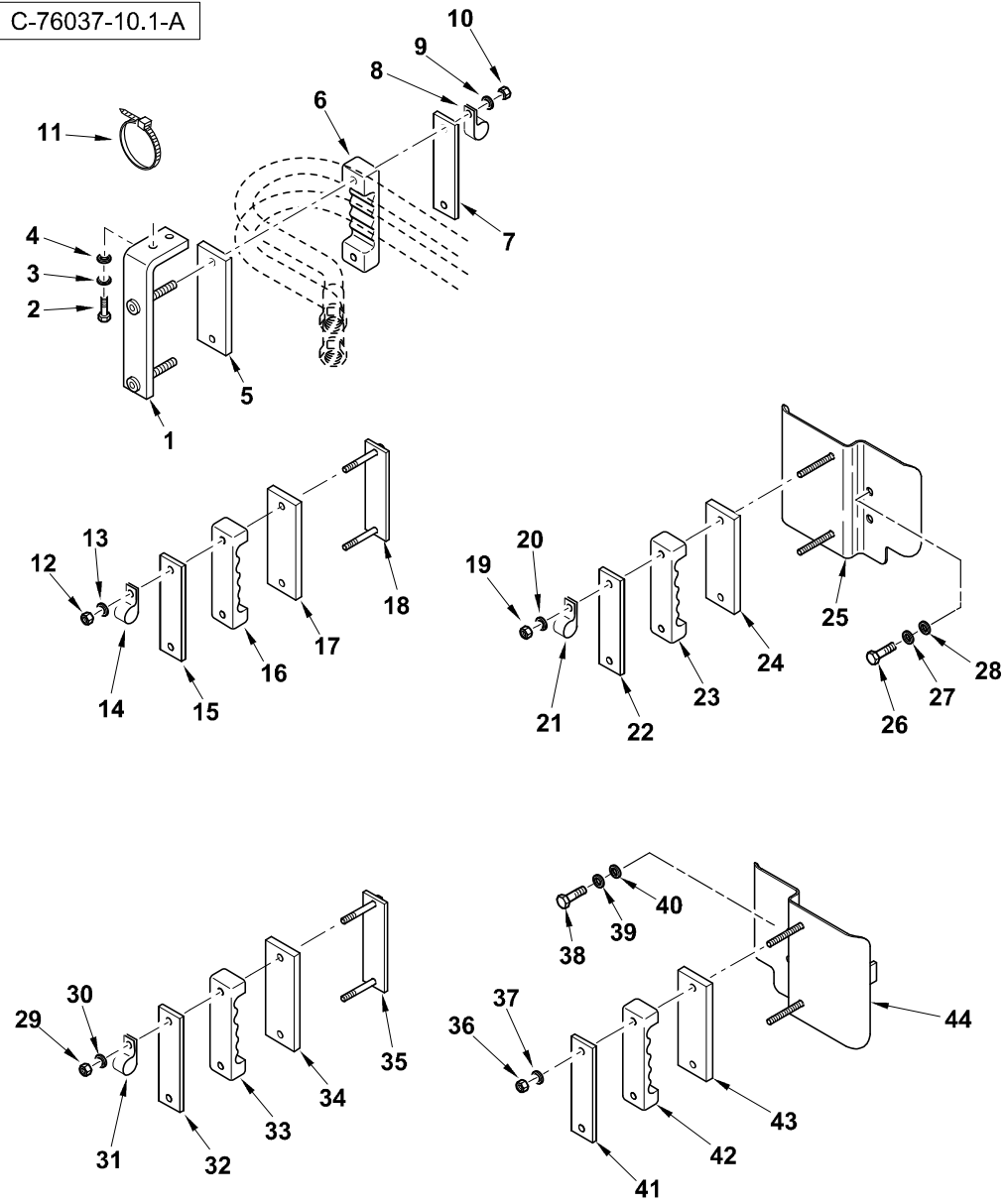


C-76037-09.1-A



Item	Part No.	Qty.	English	French	German	Spanish	Remarks
30	1441500X1	2	Nut M6 Z5 Nyloc	Ecrou	Flachmutter M6	Tuerca De Retención	
31	394367X1	2	Nut, Hex. - Nyloc, M8	Ecrou Blocage M8	Flachmutter - M8	Tuerca De Retención	
32	390972X1	2	Washer M8-17-1 Zwl	Rondelle M8	Scheibe - M8	Arandela	
33	6101215M1	1	Plate - Clamp	Plaque	Platte	Placa	
34	6101216M1	1	Clamp-Lh Hose	Collier De Serrage	Schlauchbinder	Argolla De Cierre	
35	6102197M1	1	Pad-Neoprene	Plaque De Caoutchouc	Gummiplatte	Placa, Caucho	
36	3009492X1	2	Bolt - Hex. M10 X 25	Boulon M10 X 25	Schraube M10 X 25	Tornillo	
37	339376X1	2	Washer M10-18-2 Zsp	Rondelle Frein	Federring	Arandela De Freno	
38	390734X1	2	Washer M10-21-2 Z	Rondelle - M10	Unterlegscheibe	Arandela	

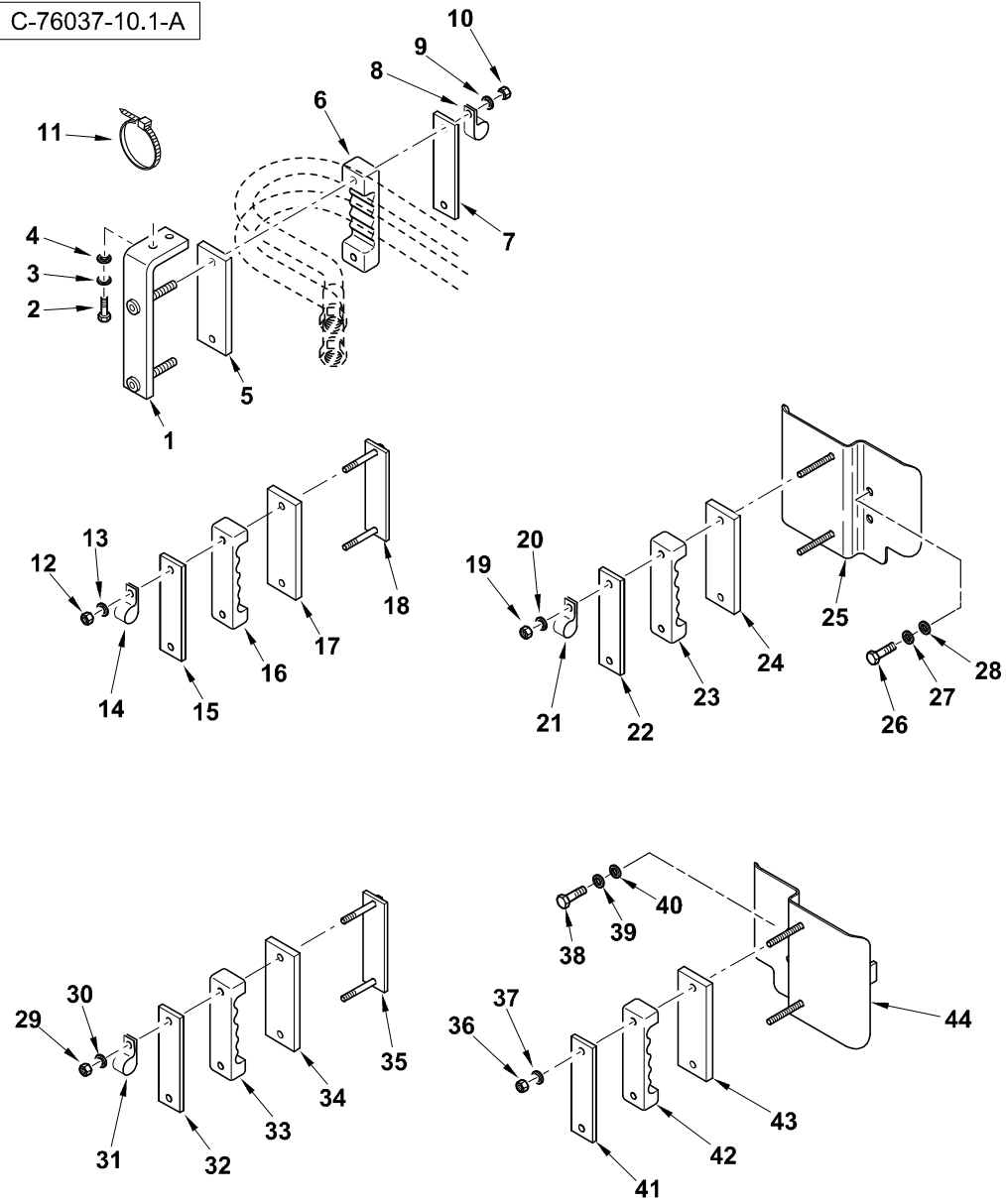
C-76037-10.1-A



Item	Part No.	Qty.	English	French	German	Spanish	Remarks
1	6107934M91	2	Bracket-Clamp	Patte Fixation	Halter	Brida De Fijación	
2	339761X1	4	Bolt M8-25 Z5f	Goupille	Bolzen M8 X 25	Tornillo	
3	390972X1	4	Washer M8-17-1 Zwl	Rondelle M8	Scheibe - M8	Arandela	
4	339374X1	4	Washer M8 -21-2 Z	Rondelle Frein - M8	Federring - M8	Arandela De Freno	
5	6102197M1	2	Pad-Neoprene	Plaque De Caoutchouc	Gummiplatte	Placa, Caucho	
6	6101859M1	1	Clamp-Rh Hose	Collier De Serrage	Schlauchbinder	Argolla De Cierre	
6	6101216M1	1	Clamp-Lh Hose	Collier De Serrage	Schlauchbinder	Argolla De Cierre	
7	6101215M1	2	Plate - Clamp	Plaque	Platte	Placa	
8	515-22159	1	Clip-Coated P	Collier De Serrage	Klemme	Argolla De Fijación	
9	390972X1	4	Washer M8-17-1 Zwl	Rondelle M8	Scheibe - M8	Arandela	
10	394367X1	4	Nut, Hex. - Nyloc, M8	Ecrou Blocage M8	Flachmutter - M8	Tuerca De Retención	
11	1862425M1	1	Tie 385mm T50I	Attache Cable	Kabelbinder	Enlace De Cable	
12	394367X1	2	Nut, Hex. - Nyloc, M8	Ecrou Blocage M8	Flachmutter - M8	Tuerca De Retención	
13	390972X1	2	Washer M8-17-1 Zwl	Rondelle M8	Scheibe - M8	Arandela	
14	515-22159	1	Clip-Coated P	Collier De Serrage	Klemme	Argolla De Fijación	
15	6101215M1	1	Plate - Clamp	Plaque	Platte	Placa	
16	6101859M1	1	Clamp-Rh Hose	Collier De Serrage	Schlauchbinder	Argolla De Cierre	
17	6102197M1	1	Pad-Neoprene	Plaque De Caoutchouc	Gummiplatte	Placa, Caucho	
18	6111437M91	1	Clamp - Hose Plate Assy.	Collier	Halteschelle	Placa, Conj.	
19	394367X1	2	Nut, Hex. - Nyloc, M8	Ecrou Blocage M8	Flachmutter - M8	Tuerca De Retención	
20	390972X1	2	Washer M8-17-1 Zwl	Rondelle M8	Scheibe - M8	Arandela	
21	515-22159	1	Clip-Coated P	Collier De Serrage	Klemme	Argolla De Fijación	
22	6101215M1	1	Plate - Clamp	Plaque	Platte	Placa	
23	6101859M1	1	Clamp-Rh Hose	Collier De Serrage	Schlauchbinder	Argolla De Cierre	
24	6102197M1	1	Pad-Neoprene	Plaque De Caoutchouc	Gummiplatte	Placa, Caucho	
25	6111548M91	1	Bracket- Hose Clamp RH W/A	Support Fixation	Haltearm	Cuchara, Conj.	
26	3009492X1	2	Bolt - Hex. M10 X 25	Boulon M10 X 25	Schraube M10 X 25	Tornillo	
27	339376X1	2	Washer M10-18-2 Zsp	Rondelle Frein	Federring	Arandela De Freno	
28	390734X1	2	Washer M10-21-2 Z	Rondelle - M10	Unterlegscheibe	Arandela	
29	394367X1	2	Nut, Hex. - Nyloc, M8	Ecrou Blocage M8	Flachmutter - M8	Tuerca De Retención	

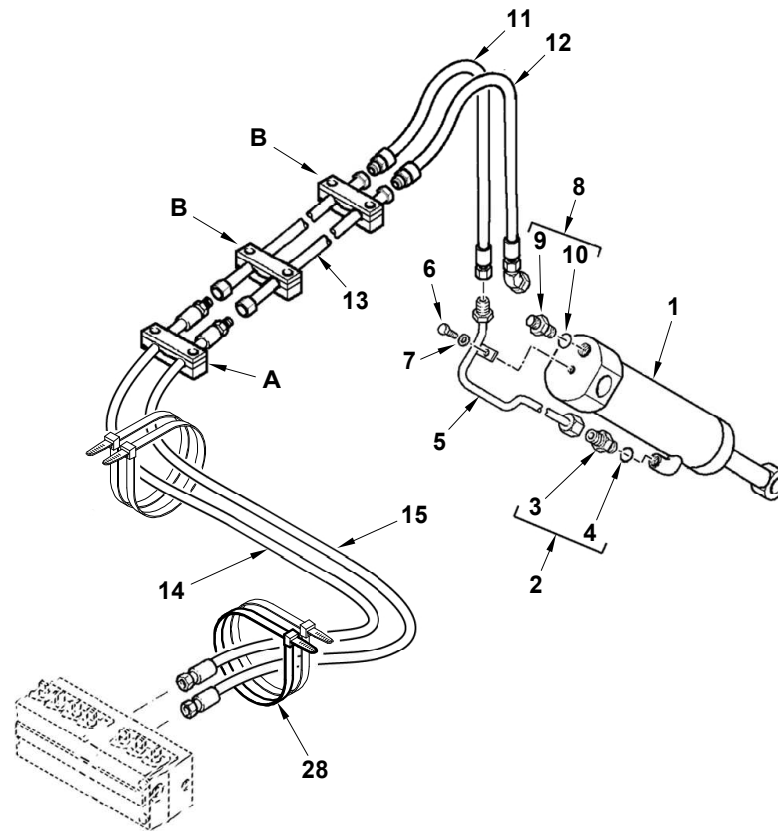
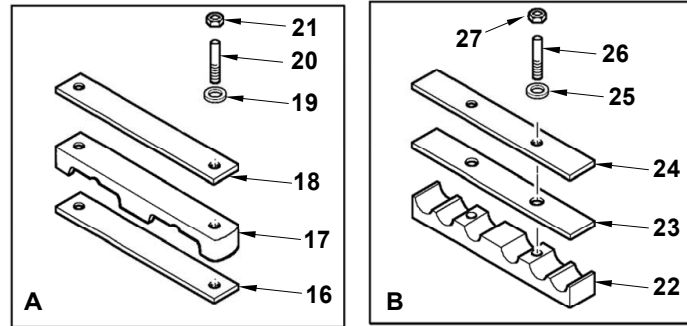


C-76037-10.1-A



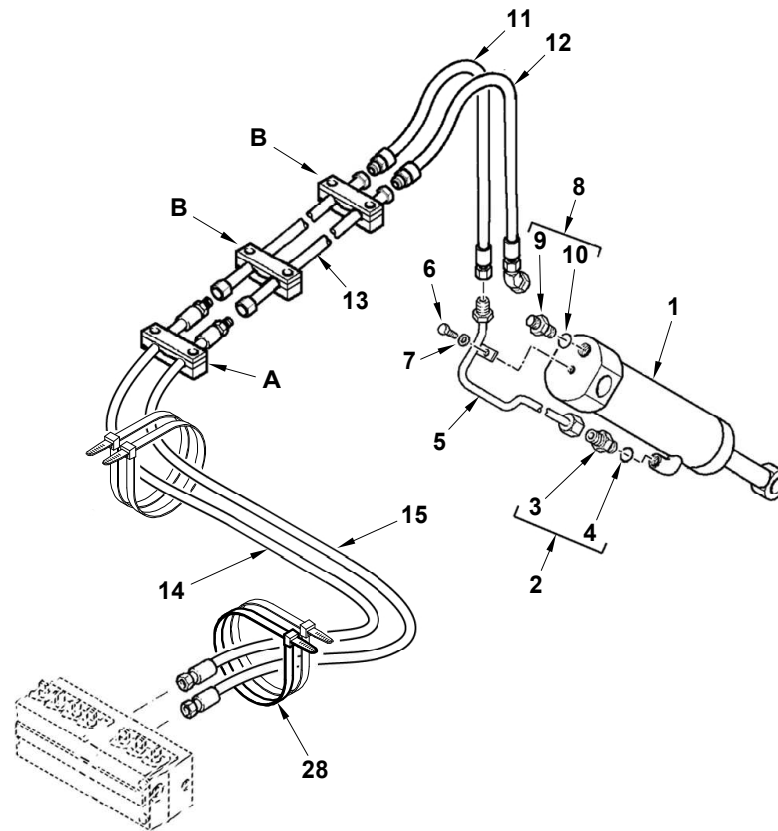
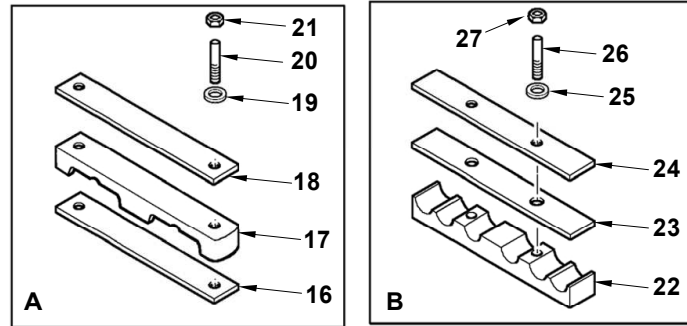
Item	Part No.	Qty.	English	French	German	Spanish	Remarks
30	390972X1	2	Washer M8-17-1 Zwl	Rondelle M8	Scheibe - M8	Arandela	
31	515-22159	1	Clip-Coated P	Collier De Serrage	Klemme	Argolla De Fijación	
32	6101215M1	1	Plate - Clamp	Plaque	Platte	Placa	
33	6101216M1	1	Clamp-Lh Hose	Collier De Serrage	Schlauchbinder	Argolla De Cierre	
34	6102197M1	1	Pad-Neoprene	Plaque De Caoutchouc	Gummiplatte	Placa, Caucho	
35	6111437M91	1	Clamp - Hose Plate Assy.	Collier	Halteschelle	Placa, Conj.	
36	394367X1	2	Nut, Hex. - Nyloc, M8	Ecrou Blocage M8	Flachmutter - M8	Tuerca De Retención	
37	390972X1	2	Washer M8-17-1 Zwl	Rondelle M8	Scheibe - M8	Arandela	
38	3009492X1	2	Bolt - Hex. M10 X 25	Boulon M10 X 25	Schraube M10 X 25	Tornillo	
39	339376X1	2	Washer M10-18-2 Zsp	Rondelle Frein	Federring	Arandela De Freno	
40	390734X1	2	Washer M10-21-2 Z	Rondelle - M10	Unterlegscheibe	Arandela	
41	6101215M1	1	Plate - Clamp	Plaque	Platte	Placa	
42	6101216M1	1	Clamp-Lh Hose	Collier De Serrage	Schlauchbinder	Argolla De Cierre	
43	6102197M1	1	Pad-Neoprene	Plaque De Caoutchouc	Gummiplatte	Placa, Caucho	
44	6111551M91	1	Bracket- Hose Clamp LH W/A	Support Fixation	Haltearm	Cuchara, Conj.	

C-76040-01.1-B



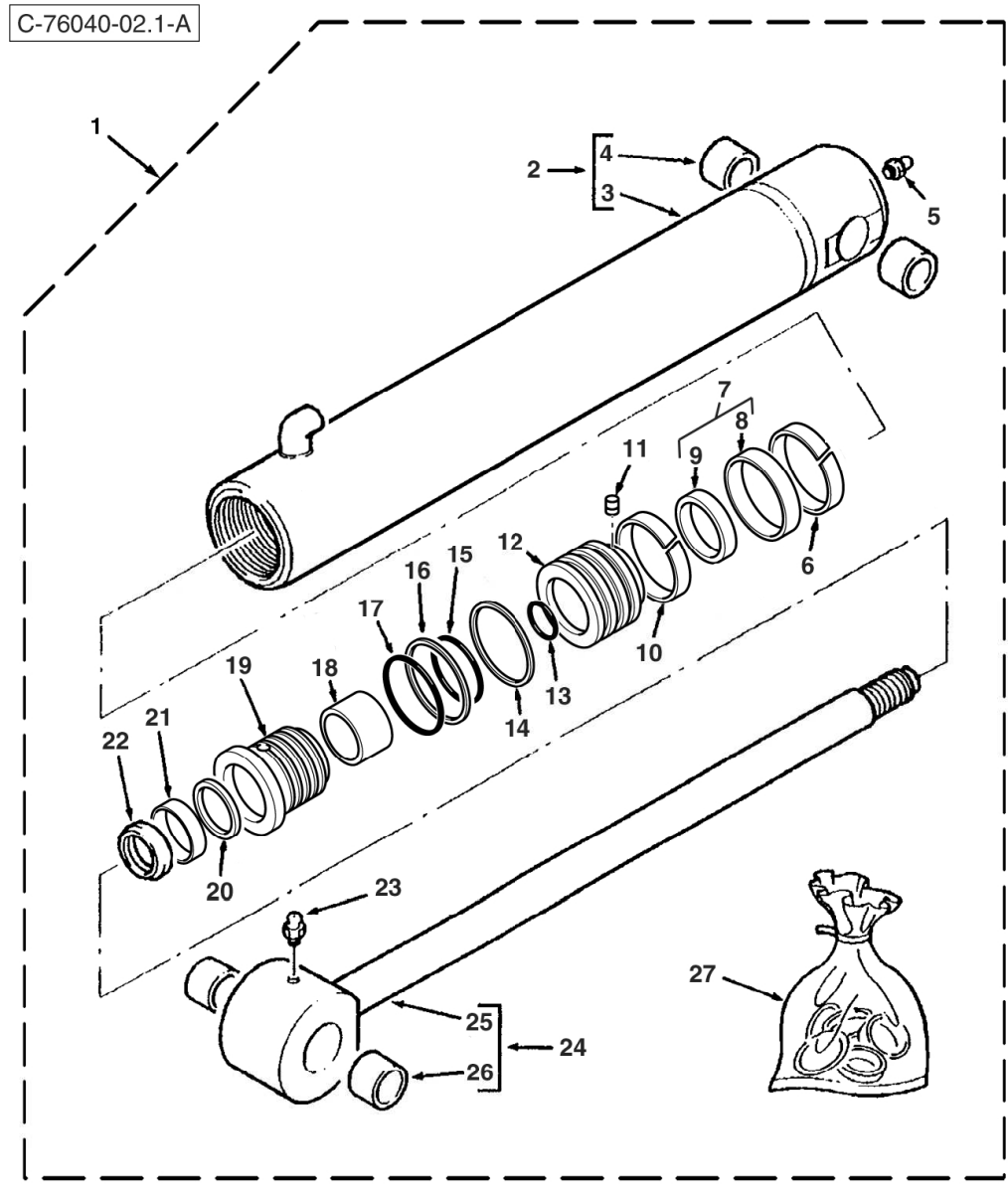
Item	Part No.	Qty.	English	French	German	Spanish	Remarks
1	#CYLINDER ASSY	1	Cylinder Assy	Cylinder Assy	Cylinder Assy	Cylinder Assy	76040c02.1 1 76040c02.2 1
2	835013M91	1	Connector 7/8 Jic	Raccord	Schraubanschluss	Conexión, Conj.	
3	#UNION	1	Union	Union	Union	Union	Ref. 2
4	835024M1	1	Ring O - Boa	Joint Torique	O Ring	Junta De Tipo O	
5	6111161M91	1	Tube Assembly - Digger Bucket Cylinder	Tuyauterie	Rohrleitung Kplt	Conjunto De Tubería	Tba Wipro
5	6101540M91	1	Tube Assy Bucket	Tuyauterie	Rohrleitung Kplt	Conjunto De Tubería	Tba Pacoma
6	339123X1	1	Bolt M8-20 Z5f	Boulon M8 X 20	Maschschraube M8	Perno	
7	385361X1	1	Washer M8 Hardened	Rondelle M8	Scheibe M8	Arandela	
8	835013M91	1	Connector 7/8 Jic	Raccord	Schraubanschluss	Conexión, Conj.	
9	#UNION	1	Union	Union	Union	Union	Ref. 8
10	835024M1	1	Ring O - Boa	Joint Torique	O Ring	Junta De Tipo O	
11	6102309M91	1	Hose-Bucket Rod-Std	Flexible Ass.	Schlauch Kplt	Flexible, Conj.	Brown
12	6107024M91	1	Hose-Bucket HD Std	Flexible Ass.	Schlauch Kplt	Flexible, Conj.	White
13	6101771M91	2	Tube-Bucket-4.5m Boom	Tuyauterie	Rohrleitung Kplt	Conjunto De Tubería	Ec05/328
13	6111137M91	2	Tube Assy - Bkt 4.5m Boom	Ensemble Tube	Rohr Kpl	Conjunto De Tubería	Ec05/328
14	6102945M91	1	Hose-Bucket Rod-Brown	Flexible Ass.	Schlauch Kplt	Flexible, Conj.	Brown Ec05/328
14	6111143M91	1	Hose Assy - Bucket Rod (Brown C/Mount)	Ensemble Durit	Schlauch Kpl	Flexible, Conj.	Brown Ec05/328
15	6111144M91	1	Hose Assy- Bucket HD (White Centremount)	Ensemble Durit	Schlauch Kpl	Flexible, Conj.	White Ec05/328
15	6102942M91	1	Hose-Bucket Head-White	Flexible Ass.	Schlauch Kplt	Flexible, Conj.	White Ec05/328
16	6102128M1	1	Pad-Neoprene	Plaque Antidérapante	Zwischenlage	Cinta Antideslizante	
17	6102122M1	1	Clamp	Collier De Serrage	Klemme	Brida De Fijación	
18	6102130M1	1	Plate-Clamp	Plaque	Platte	Placa	
19	390972X1	2	Washer M8-17-1 Zwl	Rondelle M8	Scheibe - M8	Arandela	
20	3516075M1	2	Stud M8-65 Z5	Goujon	Stehbolzen	Espárrago	
21	394367X1	2	Nut, Hex. - Nyloc, M8	Ecrou Blocage M8	Flachmutter - M8	Tuerca De Retención	
22	6102126M1	2	Clamp	Collier De Serrage	Klemme	Brida De Fijación	
23	6102145M1	2	Pad-Neoprene	Plaque Antidérapante	Zwischenlage	Cinta Antideslizante	
24	6102124M1	2	Plate-Top	Plaque	Platte	Placa	
25	390972X1	4	Washer M8-17-1 Zwl	Rondelle M8	Scheibe - M8	Arandela	
26	6108049M1	4	Stud M8	Goujon	Stehbolzen	Espárrago	

C-76040-01.1-B



Item	Part No.	Qty.	English	French	German	Spanish	Remarks
27	394367X1	4	Nut, Hex. - Nyloc, M8	Ecrou Blocage M8	Flachmutter - M8	Tuerca De Retención	
28	8000-1379	4	Tie Wrap (530 X 13mm)	Bride	Buegel	Banda	

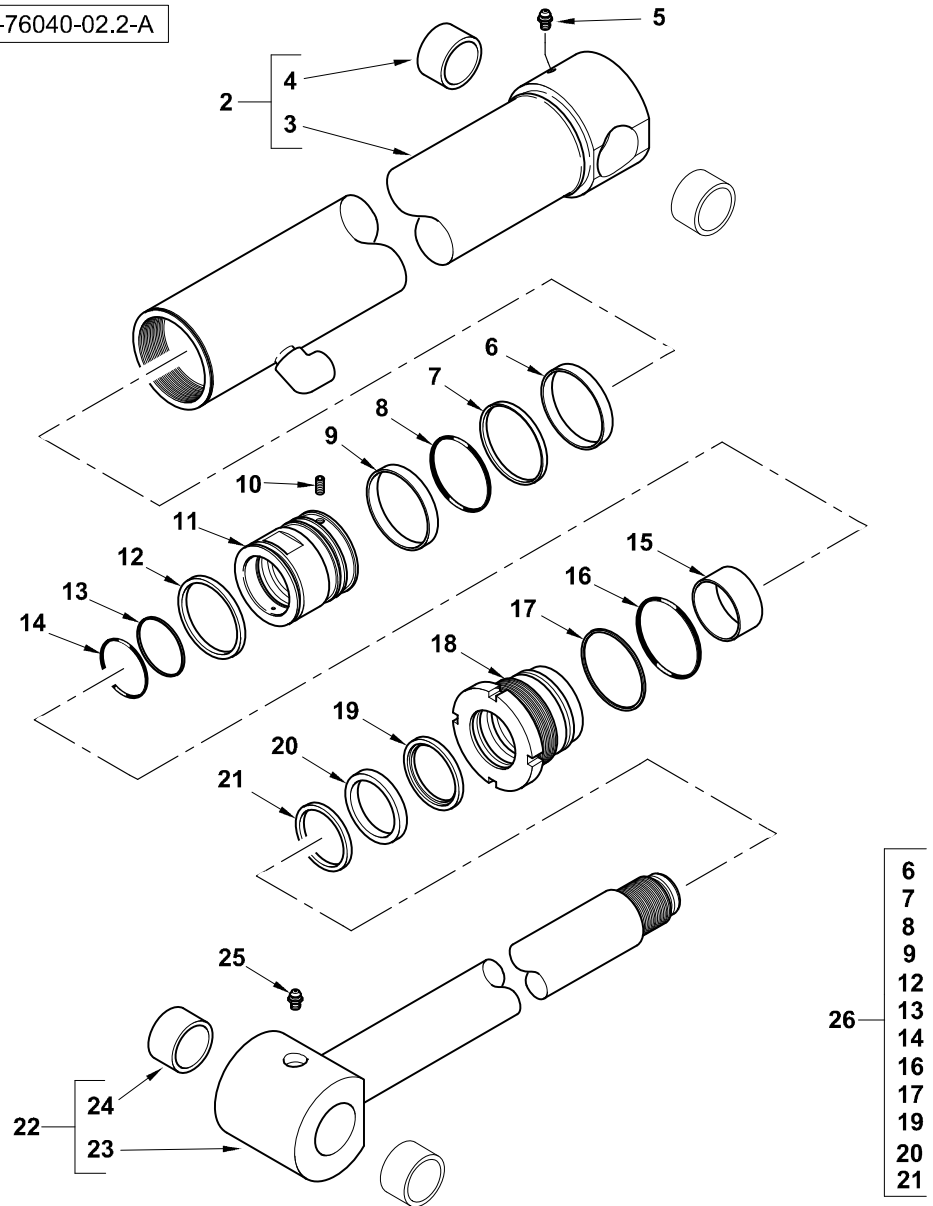




Item	Part No.	Qty.	English	French	German	Spanish	Remarks
1	5000126M91GY02	1	Cylinder Digger Bucket (Benford Grey)	L´Hie Hydraulique	Zylinder Hydr.	Gato, Conj.	Tba [76040c01.1 1]
2	5004008M91	1	Barrel Assy	Cylindre	Zylinder	Cilindro	
3	#TUBE, CYLINDER	1	Tube, Cylinder	Tube, Cylinder	Tube, Cylinder	Tube, Cylinder	Ref. 2
4	#BUSHING	1	Bushing	Douille	Busche	Boccola	
5	339608X1	1	Grease Nipple - M10 X 1 (Zinc)	Nipple De Graissage	Schmiernippel	Engrasador	
6	3485892M1	1	Guide Ring Piston	Bague D´Étanchéité	Dichtungsring	Anillo, Estanqueidad	
7	3485245M91	1	Seal Assy Piston	Joint Ass.	Dichtung Kplt	Junta, Conj.	
8	#SEAL	1	Seal	Joint Étanchéité	Dichtring	Retén	Ref. 7
9	#RING	1	Ring	Anneau	Ring	Aro	Ref. 7
10	3485892M1	1	Guide Ring Piston	Bague D´Étanchéité	Dichtungsring	Anillo, Estanqueidad	
11	3402928M1	1	Screw, Socket Head - Piston Locating	Vis Tête Hex	Zylinderschraube	Tornillo	
12	3623372M1	1	Piston	Piston	Kolben	Pistón	
13	359186X1	1	O-Ring	Joint Torique	O-Ring	Junta De Tipo O	
14	3623061M1	1	Ring Piston	Segment De Piston	Kolbenring	Segmento De Pistón	
15	359193X1	1	O-Ring	Joint Torique	O-Ring	Junta De Tipo O	
16	1606735M1	1	Ring Back-Up	Contre Bague	Stützring	ContraJunta	
17	3487207M1	1	O-Ring	Joint Torique	O-Ring	Junta De Tipo O	
18	3484615M1	1	Guide Ring	Anneau	Ring	Aro	
19	3623371M1	1	Gland - Bucket Cylinder	Presse Étoupe	Stopfbuchse	Cojinete	
20	3484055M1	1	Ring Buffer	Anneau	Ring	Aro	
21	3485185M1	1	Seal	Joint D´Arbre	Wellendichtring	Junta	
22	3487015M1	1	Wiper Ring	Anneau	Ring	Aro	
23	339608X1	1	Grease Nipple - M10 X 1 (Zinc)	Nipple De Graissage	Schmiernippel	Engrasador	
24	5004012M91	1	Piston Rod Assy - Nla	Tige De Vérin	Kolbenstange	Vástago Cilindro	
25	#ROD, PISTON	1	Rod, Piston	Rod, Piston	Rod, Piston	Rod, Piston	Ref. 24
26	#BUSHING	1	Bushing	Douille	Busche	Boccola	
27	3623373M91	1	Kit Seal	Jeu Etancheite	Dichtringsatz	Juego De Juntas	

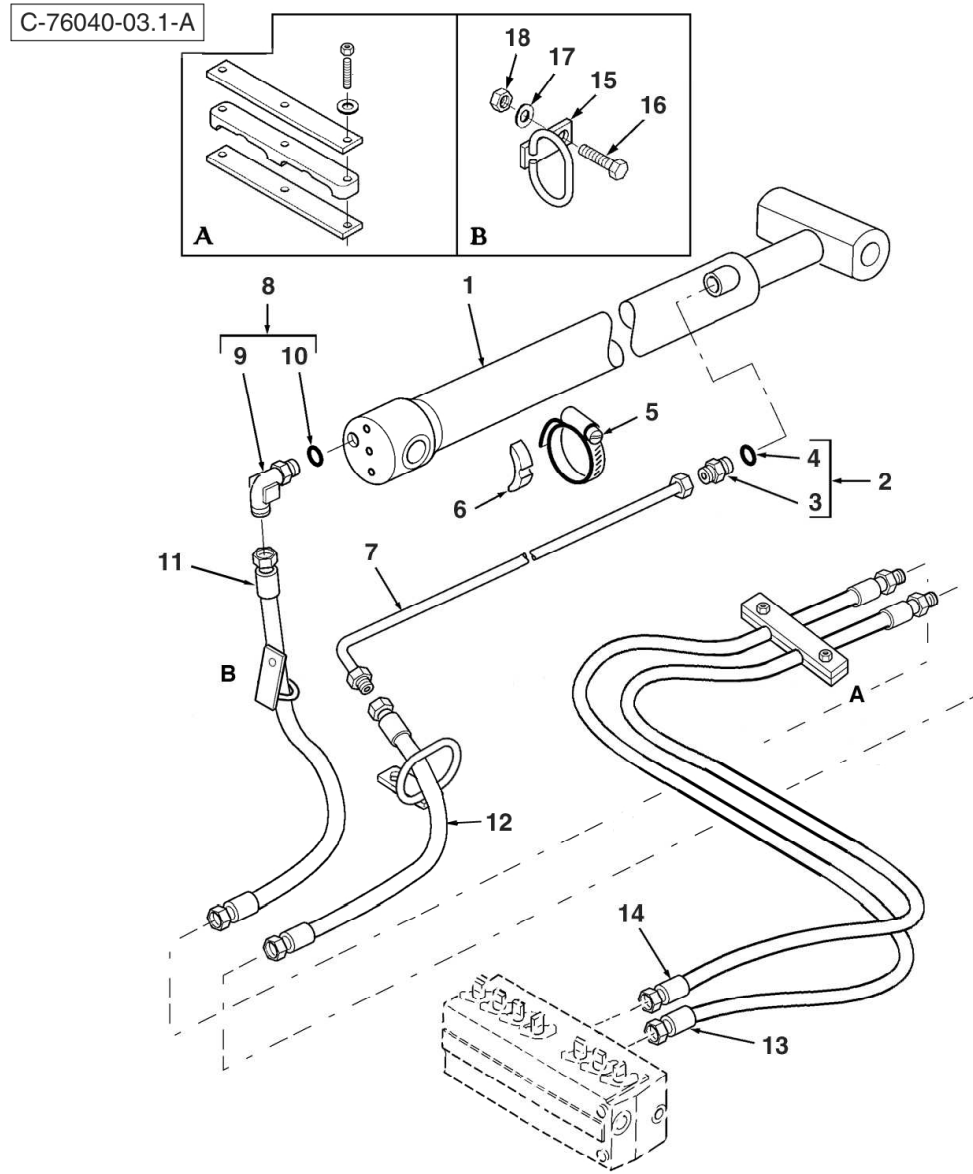


C-76040-02.2-A



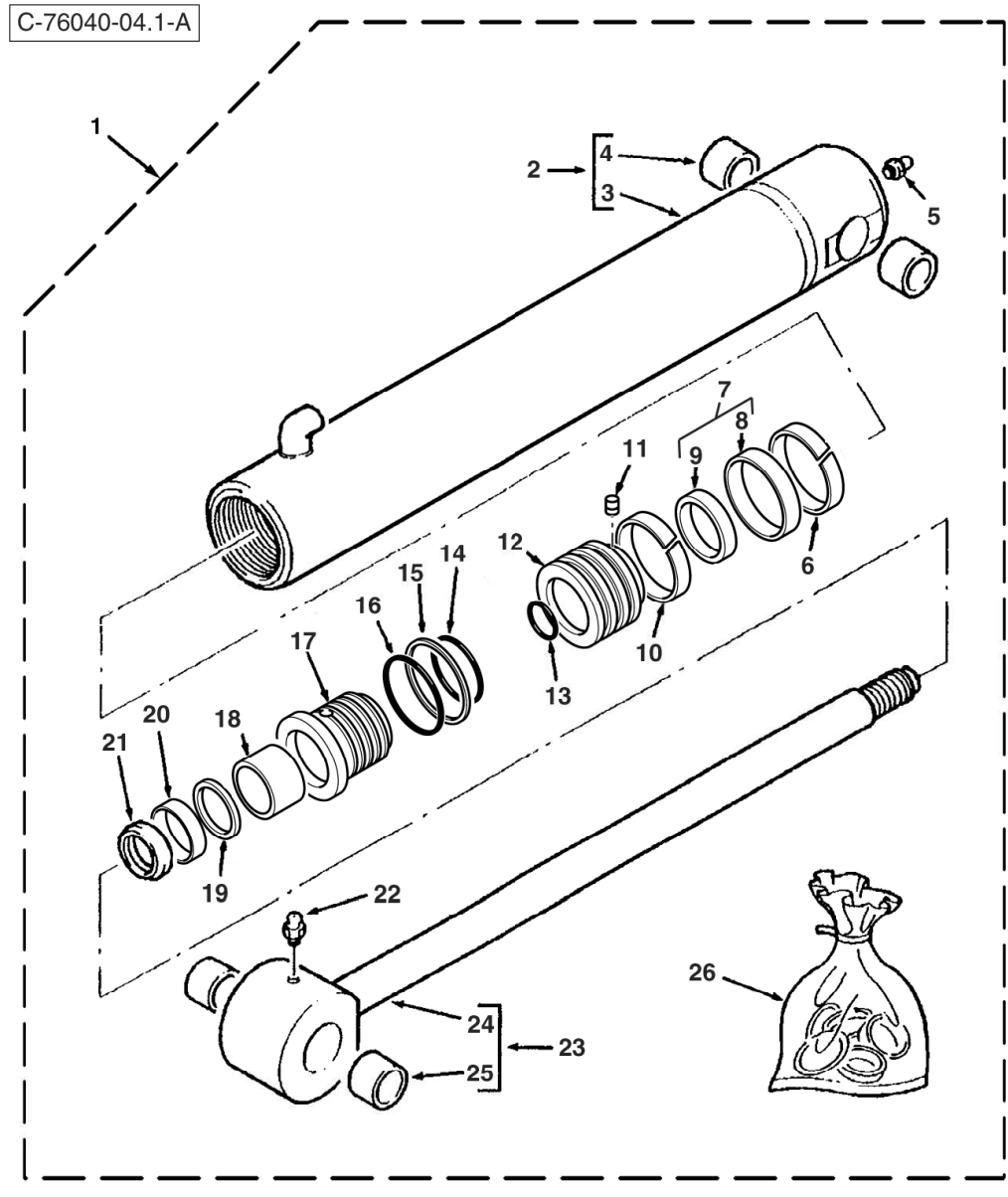
Item	Part No.	Qty.	English	French	German	Spanish	Remarks
1	6111070M91GY03	1	Cylinder- Digger Bucket	Cylindre	Zylinder	Gato, Conj.	Tba [76040c01.1 1]
2	6194629M91	1	Barrel - Cylinder	Corps Cylindre	Zylindergehäuse	Tubo	
3	#TUBE	1	Tube	Tube	Tube	Tube	Ref. 2
4	6194562M1	2	Bush	Douille	Büchse	Casquillo	
5	6194542M1	1	Nipple - Grease	Graisseur Coude	Nippel	Manguito, Engrasador	
6	6194634M1	1	Bearing - Piston	Coussinet	Lager	Teniendo - Pistón	
7	6194635M1	1	Seal - Piston	Joint Étanchéité	Dichtring	Junta	
8	6194636M1	1	O Ring (Std)	Joint Torique	O Ring	Junta De Tipo O	
9	6194634M1	1	Bearing - Piston	Coussinet	Lager	Teniendo - Pistón	
10	6194633M1	1	Set Screw - Hex Socket	Vis Tete Hex	Zylinderschraube	Tornillo De Ajuste	
11	6194631M1	1	Piston	Piston	Kolben	Pistón	
12	6194637M1	1	Ring - Piston	Segment Piston	Kolbenring	Segmento De Pistón	
13	6194625M1	1	Ring - Back Up	Contre Bague	Stutzring	ContraJunta	
14	6194624M1	1	O Ring (Std)	Joint Torique	O Ring	Junta De Tipo O	
15	6194541M1	1	Bush - Bimetal	Douille	Büchse	Juego De Anillos	
16	6194640M1	1	O Ring (Std)	Joint Torique	O Ring	Junta De Tipo O	
17	6194641M1	1	Ring - Back Up	Contre Bague	Stutzring	ContraJunta	
18	6194632M1	1	End Cover - Head	Couvercle	Deckel	Tapa	
19	6194638M1	1	Seal - Rod (Primary)	Joint Étanchéité	Dichtring	Junta	
20	6194639M1	1	Seal- Rod (Secondary)	Joint Étanchéité	Dichtring	Junta	
21	6194554M1	1	Wiper	Essuyeur	Wischer	Raspador, Escobilla	
22	6194630M91	1	Rod - Piston	Bielle De Piston	Pleuelstange	Rod - Pistón	
23	#ROD	1	Rod	Rod	Rod	Rod	Ref. 22
24	6194562M1	2	Bush	Douille	Büchse	Casquillo	
25	6194542M1	1	Nipple - Grease	Graisseur Coude	Nippel	Manguito, Engrasador	
26	6194642M91	0	Seal Kit	Jeu Etancheite	Dichtringsatz	Juego De Juntas	





Item	Part No.	Qty.	English	French	German	Spanish	Remarks
1	#CYLINDER ASSY	1	Cylinder Assy	Cylinder Assy	Cylinder Assy	Cylinder Assy	76040c04.1 1 76040c04.2 1
2	835013M91	1	Connector 7/8 Jic	Raccord	Schraubanschluss	Conexión, Conj.	
3	#UNION	1	Union	Union	Union	Union	Ref. 2
4	835024M1	1	Ring O - Boa	Joint Torique	O Ring	Junta De Tipo O	
5	3517733M1	1	Clamp Hose 130-150	Collier De Serrage	Schlauchbinder	Argolla De Cierre	
6	D142787	1	Saddle (See 142787d)	Selle	Sattel	Bloque De Caucho	
7	6111162M91	1	Tube Assembly - Dipper Cylinder	Tuyauterie	Rohrleitung Kplt	Conjunto De Tubería	Tba Wipro
7	6100976M92	1	Tube Assy. - Dipperstick Cylinder	Tuyauterie	Rohrleitung Kplt	Conjunto De Tubería	Tba Pacoma
8	6101624M91	1	Elbow 90deg-Long	Coude À 90°	Winkelstuck	Codo, 90°	
9	#ELBOW	1	Elbow	Elbow	Elbow	Elbow	Ref. 8
10	835024M1	1	Ring O - Boa	Joint Torique	O Ring	Junta De Tipo O	
11	6101738M91	1	Hose-Dipper Head	Flexible Ass.	Schlauch Kplt	Flexible, Conj.	Yellow
12	6101737M91	1	Hose-Dipper Rod	Flexible Ass.	Schlauch Kplt	Flexible, Conj.	Red
13	6102941M91	1	Hose-Dipper Head-Yellow	Flexible Ass.	Schlauch Kplt	Flexible, Conj.	Yellow
14	6102944M91	1	Hose-Dipper Rod	Flexible Ass.	Schlauch Kplt	Flexible, Conj.	Red
15	6101491M92	2	Hose Hoop Assy	Ensemble De Support	Haltevorrichtung Kpl.	Apoyadero, Conj.	
16	339761X1	2	Bolt M8-25 Z5f	Goupille	Bolzen M8 X 25	Tornillo	
17	390972X1	2	Washer M8-17-1 Zwel	Rondelle M8	Scheibe - M8	Arandela	
18	394367X1	2	Nut, Hex. - Nyloc, M8	Ecrou Blocage M8	Flachmutter - M8	Tuerca De Retención	

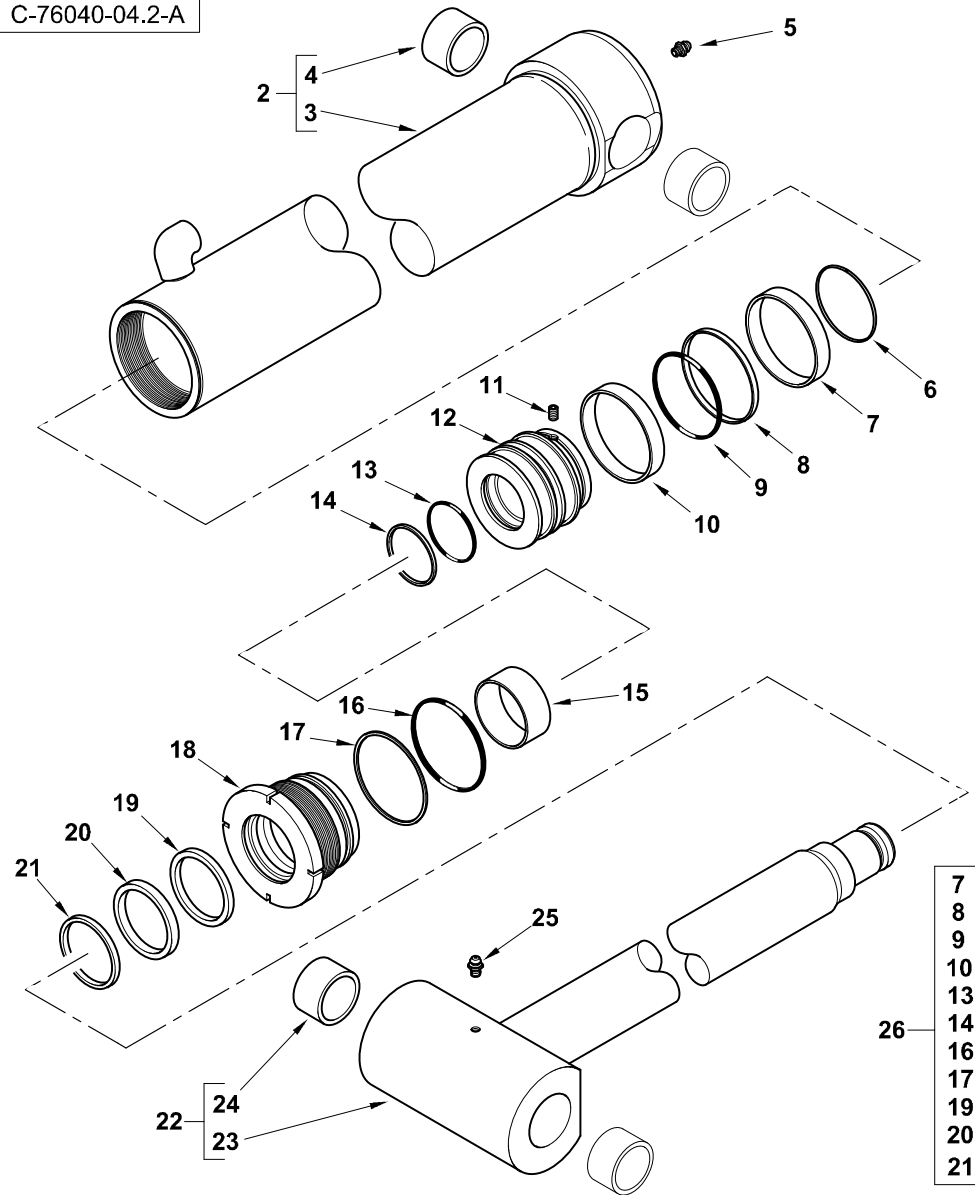




Item	Part No.	Qty.	English	French	German	Spanish	Remarks
1	5000124M91GY02	1	Cylinder Dipperstick (Benford Grey)	L´Hie Hydraulique	Zylinder Hydr.	Gato, Conj.	Tba [76040c03.1 1]
2	5003982M91	1	Barrel Assy. - Dipper Cylinder	Corps Cylindre	Zylindergehäuse	Cilindro	
3	#TUBE, CYLINDER	1	Tube, Cylinder	Tube, Cylindre	Tube, Cylinder	Tube, Cylinder	Ref. 2
4	3484843M1	1	Bush, Hydr. Cylinders	Douille	Buechse	Casquillo	
5	339608X1	1	Grease Nipple - M10 X 1 (Zinc)	Nipple De Graissage	Schmiernippel	Engrasador	
6	3485891M1	1	Guide Ring Piston	Anneau	Ring	Aro	
7	3485247M91	1	Seal Piston	Joint	Dichtung	Junta, Conj.	
8	#SEAL	1	Seal	Joint Étanchéité	Dichtring	Retén	Ref. 7
9	#RING	1	Ring	Anneau	Ring	Aro	Ref. 7
10	3485891M1	1	Guide Ring Piston	Anneau	Ring	Aro	
11	3402928M1	1	Screw, Socket Head - Piston Locating	Vis Tête Hex	Zylinderschraube	Tornillo	
12	5003989M1	1	Piston	Piston	Kolben	Pistón	
13	3007182X1	1	O-Ring	Joint Torique	O-Ring	Junta De Tipo O	
14	359196X1	1	O Ring	Joint Torique	O Ring	Junta De Tipo O	
15	378545X1	1	Ring - Backup	Contre Bague	Stutzring	Aro	
16	3487908M1	1	O Ring, Hydr. Cylinder	Joint Torique	O Ring	Junta De Tipo O	
17	5003988M1	1	Bearing Cylinder	Roulement	Lager	Cojinete	
18	3623193M1	1	Guide Ring	Anneau	Ring	Aro	
19	3443388M1	1	Ring - Back Up	Anneau	Ring	Aro	
20	3443472M1	1	Seal	Joint D´Arbre	Wellendichtring	Junta	
21	3403385M1	1	Wiper Ring	Joint De Racleur	Abstreifdichtung	Junta Raspador	
22	339608X1	1	Grease Nipple - M10 X 1 (Zinc)	Nipple De Graissage	Schmiernippel	Engrasador	
23	5003985M91	1	Piston Rod Assy	Tige De Vérin	Kolbenstange	Vástago Cilindro	
24	#ROD, PISTON	1	Rod, Piston	Rod, Piston	Rod, Piston	Rod, Piston	Ref. 23
25	3484843M1	1	Bush, Hydr. Cylinders	Douille	Buechse	Casquillo	
26	5004401M91	1	Kit Seal	Jeu Étanchéité	Dichtringsatz	Juego De Juntas	



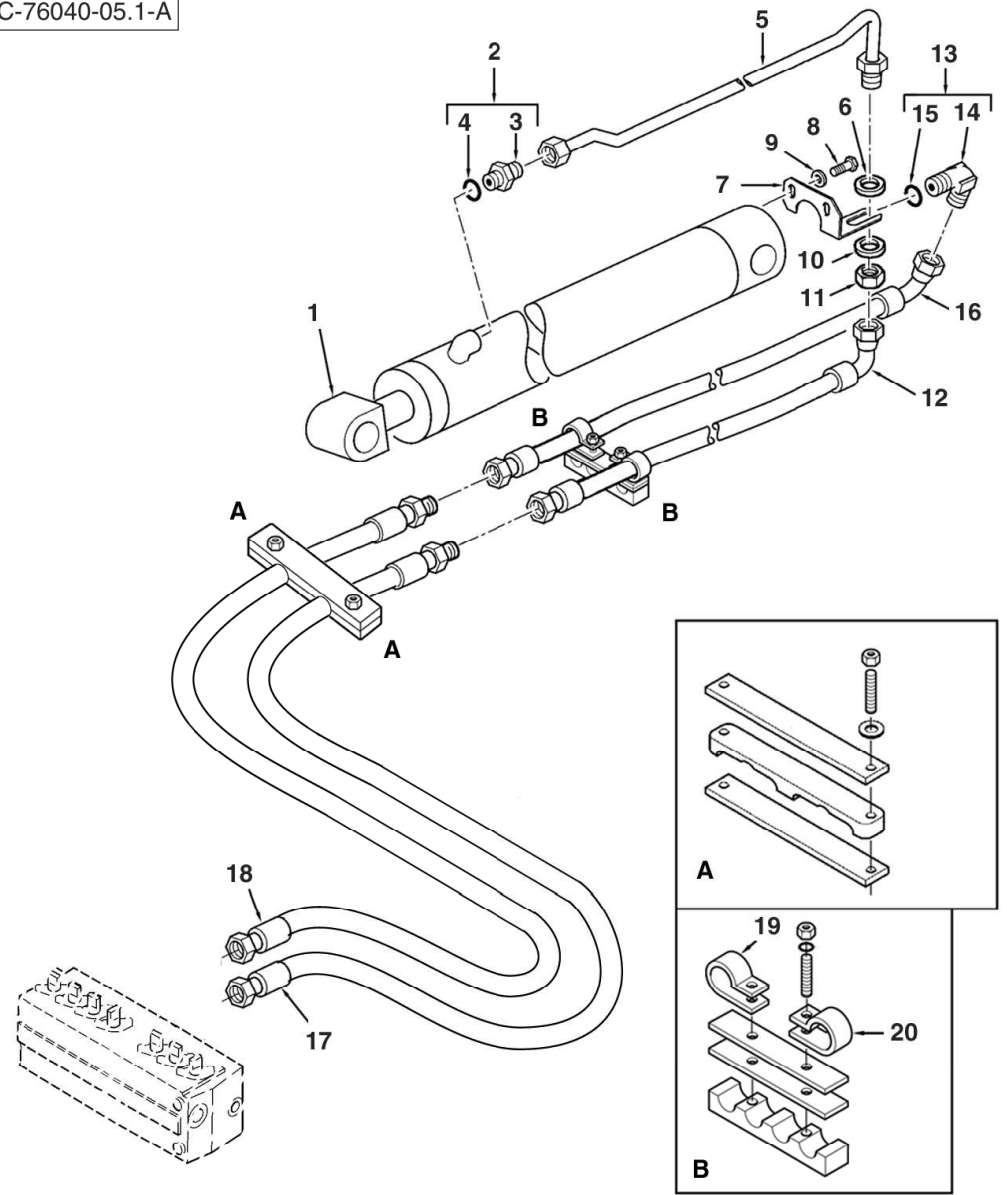
C-76040-04.2-A



Item	Part No.	Qty.	English	French	German	Spanish	Remarks
1	6111069M91GY03	1	Cylinder - Dipperstick	Cylindre	Zylinder	Gato, Conj.	Tba [76040c03.1 1]
2	6194615M91	1	Barrel - Cylinder	Corps Cylindre	Zylindergehäuse	Conjunto De Tubería	
3	#TUBE	1	Tube	Tube	Tube	Tube	Ref. 2
4	6194562M1	2	Bush	Douille	Büchse	Casquillo	
5	6194542M1	1	Nipple - Grease	Graisseur Coude	Nippel	Manguito, Engrasador	
6	6194620M1	1	Ring - Snap	Fermeoir	Sprengring	Anillo De Resorte	
7	6194621M1	1	Bearing - Piston	Coussinet	Lager	Teniendo - Pistón	
8	6194622M1	1	Seal - Piston	Joint Étanchéité	Dichtring	Junta	
9	6194623M1	1	O Ring (Std)	Joint Torique	O Ring	Junta De Tipo O	
10	6194621M1	1	Bearing - Piston	Coussinet	Lager	Teniendo - Pistón	
11	6194619M1	1	Set Screw	Vis	Schraube	Tornillo De Ajuste	
12	6194617M1	1	Piston	Piston	Kolben	Pistón	
13	6194624M1	1	O Ring (Std)	Joint Torique	O Ring	Junta De Tipo O	
14	6194625M1	1	Ring - Back Up	Contre Bague	Stutzring	ContraJunta	
15	6194565M1	1	Bush - Bimetal	Douille	Büchse	Juego De Anillos	
16	6194626M1	1	O Ring (Std)	Joint Torique	O Ring	Junta De Tipo O	
17	6194627M1	1	Ring - Back Up	Contre Bague	Stutzring	ContraJunta	
18	6194618M1	1	End Cover - Head	Couvercle	Deckel	Tapa	
19	6194575M1	1	Seal - Rod (Primary)	Joint Étanchéité	Dichtring	Junta	
20	6194576M1	1	Seal- Rod (Secondary)	Joint Étanchéité	Dichtring	Junta	
21	6194573M1	1	Wiper	Essuyeur	Wischer	Raspador, Escobilla	
22	6194616M91	1	Rod - Piston	Bielle De Piston	Pleuelstange	Rod - Pistón	
23	#ROD	1	Rod	Rod	Rod	Rod	Ref. 22
24	6194562M1	2	Bush	Douille	Büchse	Casquillo	
25	6194542M1	1	Nipple - Grease	Graisseur Coude	Nippel	Manguito, Engrasador	
26	6194628M91	0	Seal Kit	Jeu Etancheite	Dichtringsatz	Juego De Juntas	

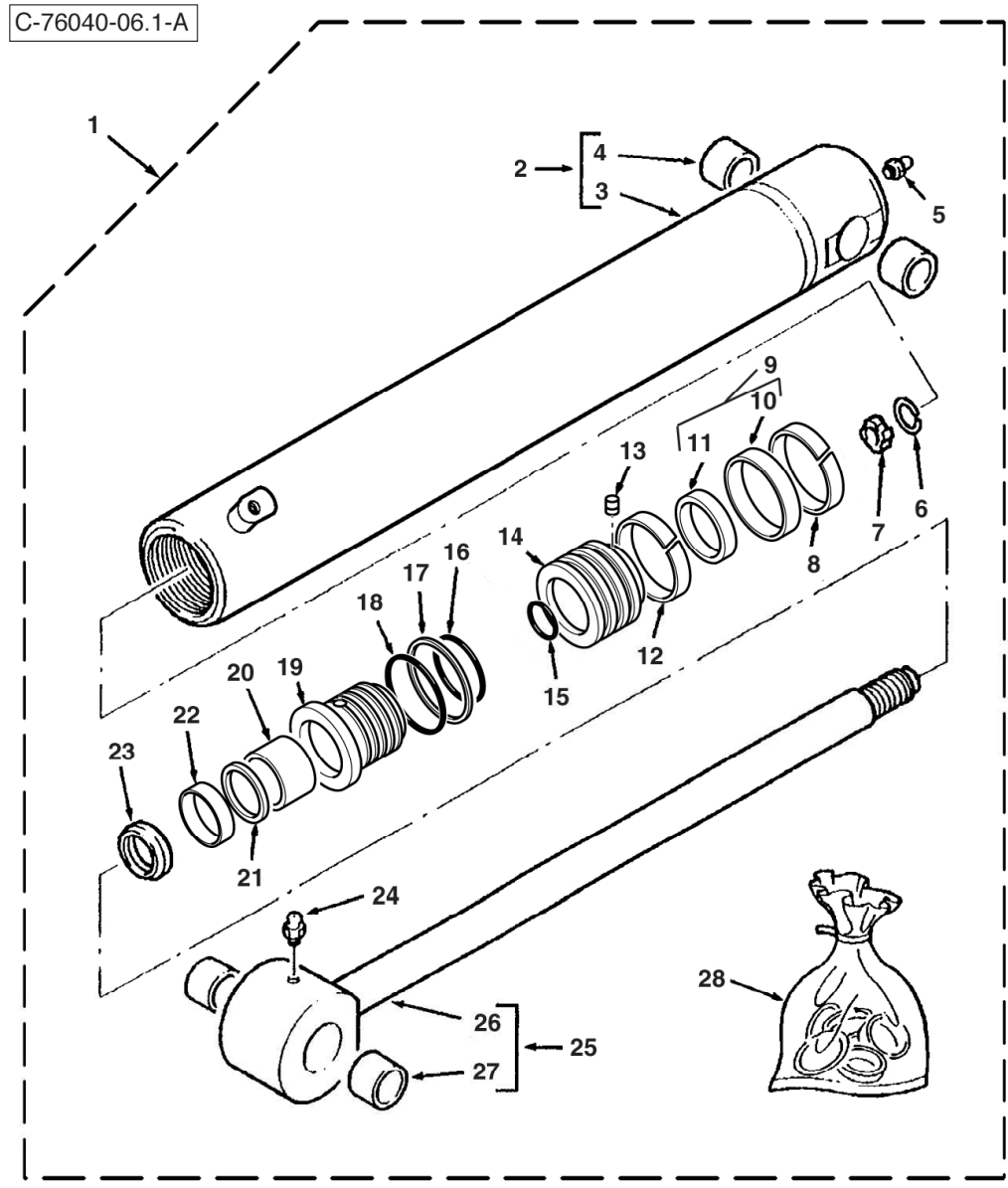


C-76040-05.1-A



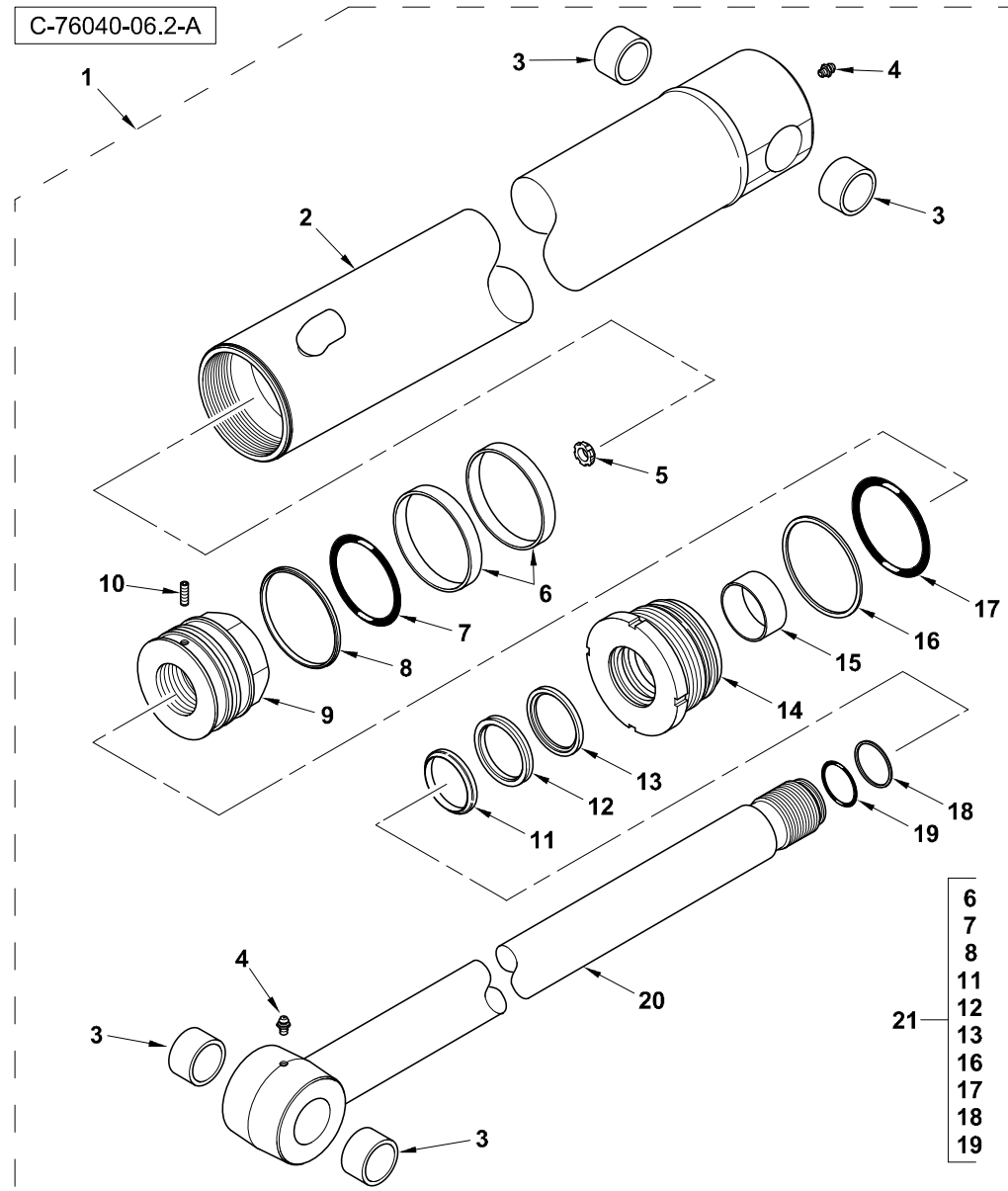
Item	Part No.	Qty.	English	French	German	Spanish	Remarks
1	6111078M91GY03	1	Cylinder Boom 4.5	Cylindre 4.5m	Zylinder 4.5m	Cilindro 4.5m	Wipro
1	5000122M91	1	Cylinder 4.5m B00m - Hi Spec	L' Hie Hydraulique	Zylinder Hydr.	Gato, Conj.	Pacoma
2	835013M91	1	Connector 7/8 Jic	Raccord	Schraubanschluss	Conexión, Conj.	
3	#UNION	1	Union	Union	Union	Union	Ref. 2
4	835024M1	1	Ring O - Boa	Joint Torique	O Ring	Junta De Tipo O	
5	6100855M91	1	Tube-Cylinder-4.5 Boom	Tuyauterie	Rohrleitung Kplt	Conjunto De Tubería	Pacoma
5	6111166M91	1	Tube Assembly - Boom Cylinder 4.5m	Tuyauterie	Rohrleitung Kplt	Conjunto De Tubería	Wipro
6	353763X1	1	Washer	Rondelle	Scheibe	Arandela	
7	6100883M1	1	Bracket-Cylinder-Boom	Patte Fixation	Halter	Pata De Fijación	
8	339228X1	2	Bolt, Hex. - M8 X 12 (Coarse)	Boulon M8 X 12	Maschschraube M8	Tornillo	
9	339374X1	2	Washer M8 -21-2 Z	Rondelle Frein - M8	Federring - M8	Arandela De Freno	
10	353763X1	1	Washer	Rondelle	Scheibe	Arandela	
11	355574X1	1	Nut, Hex. - 7/8" Unf, Lock	Ecrou 7/8" Unf	Mutter 7/8" Unf	Tuerca	
12	6101735M92	1	Hose-Boom Cyl Rod	Flexible Ass.	Schlauch Kplt	Flexible, Conj.	Orange
13	835007M91	1	Elbow 90 Degree Adjust	Coude 90°	Kniestück 90°	Codo, 90°	
14	#ELBOW	1	Elbow	Elbow	Elbow	Elbow	Ref. 13
15	835024M1	1	Ring O - Boa	Joint Torique	O Ring	Junta De Tipo O	
16	6101736M92	1	Hose, "Blue" - Boom Cylinder Feed	Flexible	Schlauch	Flexible, Conj.	Blue
17	6102943M91	1	Hose-Boom Rod-Orange	Flexible Ass.	Schlauch Kplt	Flexible, Conj.	Orange
18	6102940M91	1	Hose-Boom Head-Blue	Flexible Ass.	Schlauch Kplt	Flexible, Conj.	Blue
19	515-23270	1	Clip-Coated P	Clip	Klips	Clip	
20	515-23206	1	P Clip Bsr081hs	Bride Pour Tutaux	Schlauchschelle	Abrazadera De Manguera	





Item	Part No.	Qty.	English	French	German	Spanish	Remarks
1	5000122M91	1	Cylinder 4.5m B00m - Hi Spec	L´Hie Hydraulique	Zylinder Hydr.	Gato, Conj.	76040c05.1 1
2	5003912M91	1	Barrel Assy	Cylindre	Zylinder	Cilindro	
3	#TUBE, CYLINDER	1	Tube, Cylinder	Tube, Cylinder	Tube, Cylinder	Tube, Cylinder	Ref. 2
4	#BUSHING	2	Bushing	Douille	Busche	Boccola	
5	339608X1	1	Grease Nipple - M10 X 1 (Zinc)	Nipple De Graissage	Schmiernippel	Engrasador	
6	1609899M1	1	Snap Ring	Anneau D´Arrêt	Sprengring	Anillo De Resorte	
7	1609328M1	1	Ring Cushioning	Anneau	Ring	Aro	
8	3403852M1	1	Ring, Guide - Piston	Anneau	Ring	Aro	
9	3485213M91	1	Seal Piston	Joint	Dichtung	Junta, Conj.	
10	#SEAL	1	Seal	Joint Étanchéité	Dichtring	Retén	Ref. 9
11	#SEAL	1	Seal	Joint Étanchéité	Dichtring	Retén	Ref. 9
12	3403852M1	1	Ring, Guide - Piston	Anneau	Ring	Aro	
13	3402928M1	1	Screw, Socket Head - Piston Locating	Vis Tête Hex	Zylinderschraube	Tornillo	
14	3484189M1	1	Piston	Piston	Kolben	Pistón	
15	3007182X1	1	O-Ring	Joint Torique	O-Ring	Junta De Tipo O	
16	359203X1	1	O-Ring	Joint Torique	O-Ring	Junta De Tipo O	
17	367120X1	1	Back-Up Ring	Contre Bague	Stützring	Aro	
18	3487909M1	1	O-Ring	Joint Torique	O-Ring	Junta De Tipo O	
19	3623202M1	1	Bearing	Roulement	Lager	Cojinete	
20	3623193M1	1	Guide Ring	Anneau	Ring	Aro	
21	3443388M1	1	Ring - Back Up	Anneau	Ring	Aro	
22	3443472M1	1	Seal	Joint D´Arbre	Wellendichtring	Junta	
23	3403385M1	1	Wiper Ring	Joint De Racleur	Abstreifdichtung	Junta Raspador	
24	339608X1	1	Grease Nipple - M10 X 1 (Zinc)	Nipple De Graissage	Schmiernippel	Engrasador	
25	3441629M91	1	Piston Rod Assy	Tige De Vérin	Kolbenstange	Vástago Cilindro	
26	#ROD, PISTON	1	Rod, Piston	Rod, Piston	Rod, Piston	Rod, Piston	Ref. 25
27	3484843M1	1	Bush, Hydr. Cylinders	Douille	Buechse	Casquillo	
28	3623589M91	1	Kit, Seal - Hydraulic Cylinder	Jeu Etancheite	Dichtringsatz	Juego De Juntas	

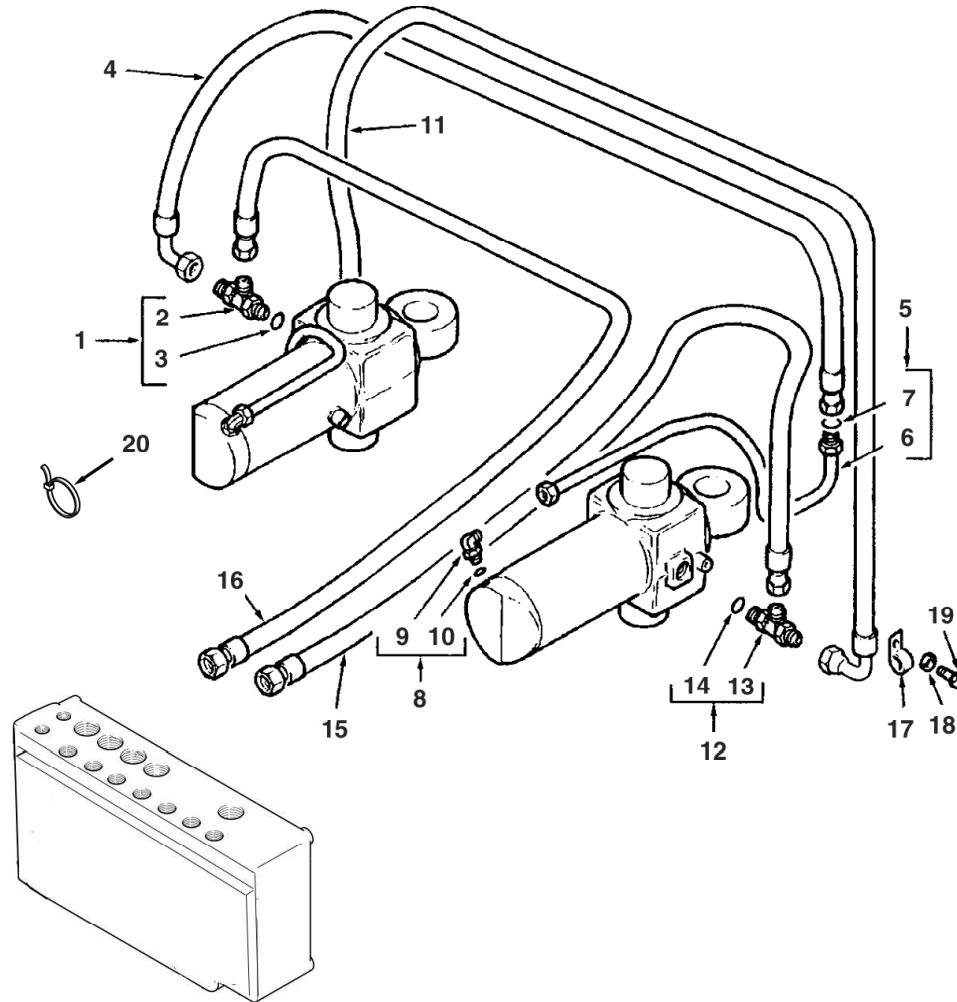




Item	Part No.	Qty.	English	French	German	Spanish	Remarks
1	6111078M91GY03	1	Cylinder Boom 4.5	Cylindre 4.5m	Zylinder 4.5m	Cilindro 4.5m	
2	6195249M91GY03	1	Tube - S/A (Terex Grey)	Tube - S/A (Terex Grey)	Tube - S/A (Terex Grey)	Tube - S/A (Terex Grey)	
3	6195253M1	4	Bush	Douille	Buchse	Casquillo	
4	6195255M1	2	Grease Nipple	Grease Nipple	Grease Nipple	Grease Nipple	
5	6195235M1	1	Ring - Cushion	Ring - Cushion	Ring - Cushion	Ring - Cushion	
6	6195259M1	2	Bearing - Piston	Bearing - Piston	Bearing - Piston	Bearing - Piston	
7	6195258M1	1	O - Ring	O - Ring	O - Ring	O - Ring	
8	6195257M1	1	Seal - Piston	Seal - Piston	Seal - Piston	Seal - Piston	
9	6195251M1	1	Piston	Piston	Piston	Piston	
10	6195254M1	1	Set Screw - Hex. Socket	Set Screw - Hex. Socket	Set Screw - Hex. Socket	Set Screw - Hex. Socket	
11	6194573M1	1	Wiper	Essuyeur	Wischer	Raspador, Escobilla	
12	6195262M1	1	Seal - Rod (Secondary)	Seal - Rod (Secondary)	Seal - Rod (Secondary)	Seal - Rod (Secondary)	
13	6194575M1	1	Seal - Rod (Primary)	Joint Étanchéité	Dichtring	Junta	
14	6195252M1	1	Cover - H.E.	Cover - H.E.	Cover - H.E.	Cover - H.E.	
15	6195256M1	1	Bush - Bimetal	Bush - Bimetal	Bush - Bimetal	Bush - Bimetal	
16	6195261M1	1	Ring - Back Up	Ring - Back Up	Ring - Back Up	Ring - Back Up	
17	6195260M1	1	O - Ring	O - Ring	O - Ring	O - Ring	
18	6194570M1	1	Ring - Back Up	Contre Bague	Stutzring	ContraJunta	
19	6195247M1	1	O - Ring	O - Ring	O - Ring	O - Ring	
20	6195250M91	1	Piston Rod - S/A	Piston Rod - S/A	Piston Rod - S/A	Piston Rod - S/A	
21	6195263M91	1	Seal Kit	Jeu Etancheite	Dichtringsatz	Juego Retenes	



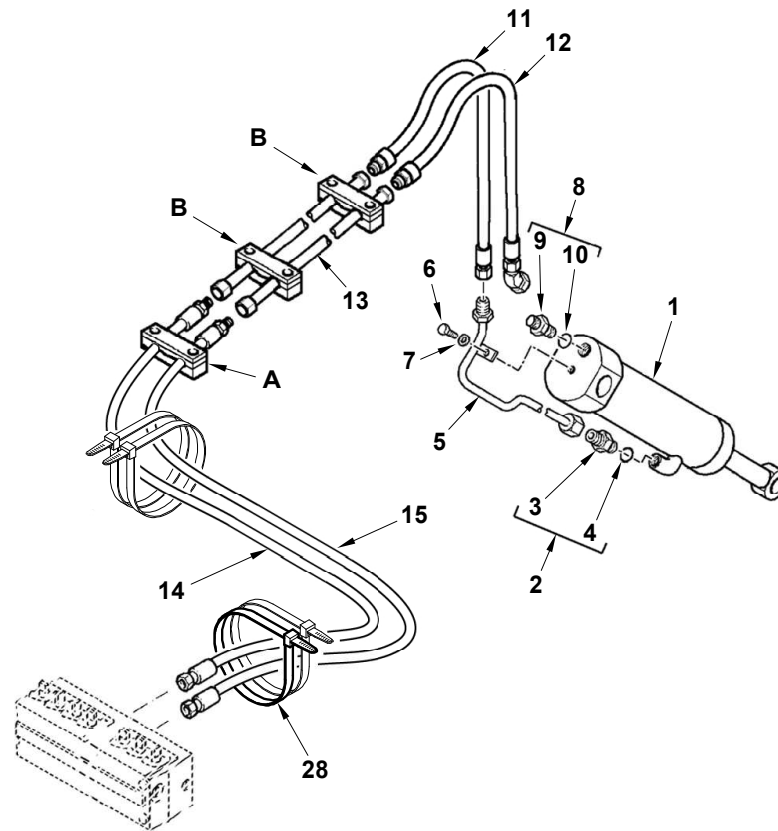
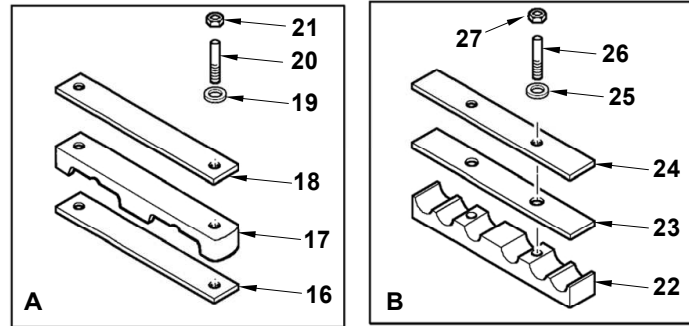
C-76040-07.1-A



Item	Part No.	Qty.	English	French	German	Spanish	Remarks
1	358728X91	1	Tee	Te	T-Stück	Te	
2	#TEE	1	Tee	Tee	Tee	Tee	Ref. 1
3	831497M1	1	O-Ring	Joint Torique	O-Ring	Junta De Tipo O	
4	6100716M91	1	Hose Slew Trsfr	Flexible Ass.	Schlauch Kplt	Flexible, Conj.	
5	6111175M92	1	Tube Assy Slew	Ensemble Tube	Rohr Kpl	Conj.De Tubo	RH Wipro
5	6111174M92	1	Tube Assy Slew	Ensemble Tube	Rohr Kpl	Conj. De Tubo	LH Wipro
5	6100587M91	1	Tube Slew Trsf LH	Tuyauterie	Rohrleitung Kplt	Conjunto De Tubería	Pacoma
5	6100589M91	1	Tube Slew Trsf RH	Tuyauterie	Rohrleitung Kplt	Conjunto De Tubería	Pacoma
6	#TUBE	1	Tube	Tube	Tube	Tube	Ref. 5
7	394923X1	1	O Ring	Joint Torique	O Ring	Junta De Tipo O	
8	357197X91	2	Elbow & O Ring	Coude	Kniestück, 90°	Codo, 90°	
9	#ELBOW	1	Elbow	Elbow	Elbow	Elbow	Ref. 8
10	831452M1	1	O Ring (Pack Of 10)	Joint Torique	O Ring	Junta De Tipo O	
11	6100716M91	1	Hose Slew Trsfr	Flexible Ass.	Schlauch Kplt	Flexible, Conj.	
12	358728X91	1	Tee	Te	T-Stück	Te	
13	#TEE	1	Tee	Tee	Tee	Tee	Ref. 12
14	831497M1	1	O-Ring	Joint Torique	O-Ring	Junta De Tipo O	
15	6100715M92	1	Hose-Digger-Green	Flexible Ass.	Schlauch Kplt	Flexible, Conj.	Purple
16	6101866M93	1	Hose-Digger-Green	Flexible Ass.	Schlauch Kplt	Flexible, Conj.	Green
17	3517114M2	2	P - Clip	Collier De Fixation	Befestigungsschelle	Argolla De Fijación	
18	385361X1	2	Washer M8 Hardened	Rondelle M8	Scheibe M8	Arandela	
19	339228X1	2	Bolt, Hex. - M8 X 12 (Coarse)	Boulon M8 X 12	Maschschraube M8	Tornillo	
20	1862425M1	1	Tie 385mm T50I	Attache Cable	Kabelbinder	Enlace De Cable	

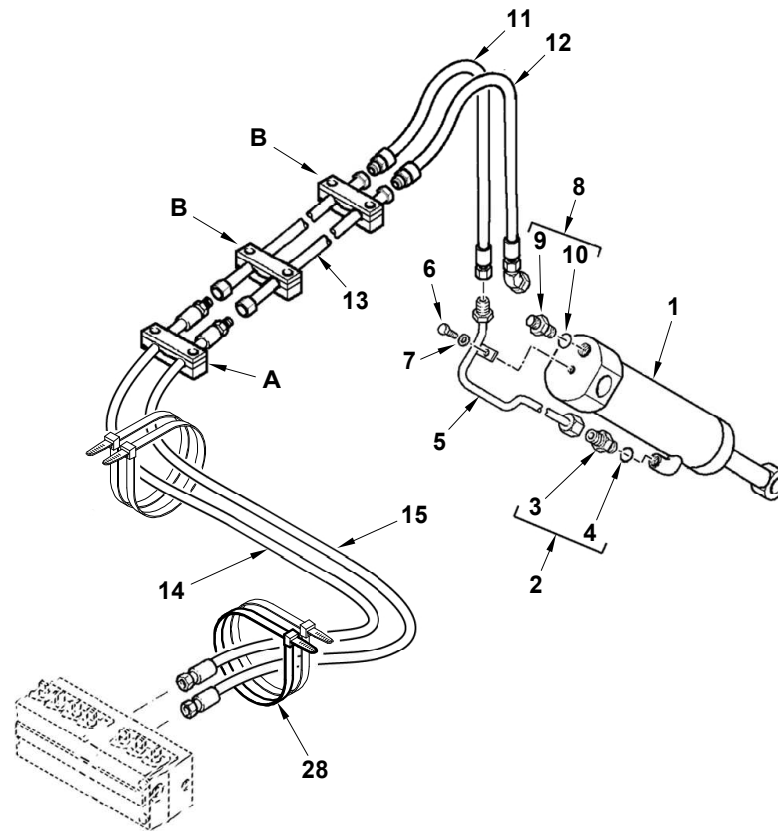
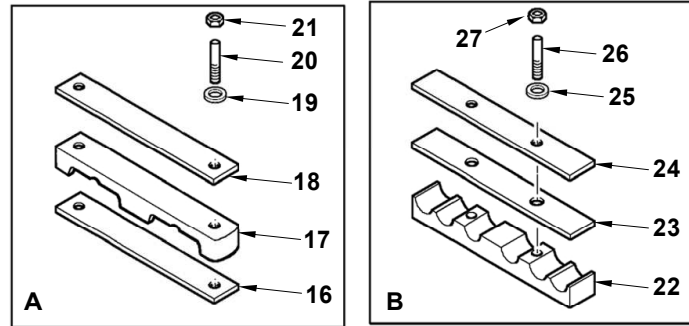


C-76041-01.1-B



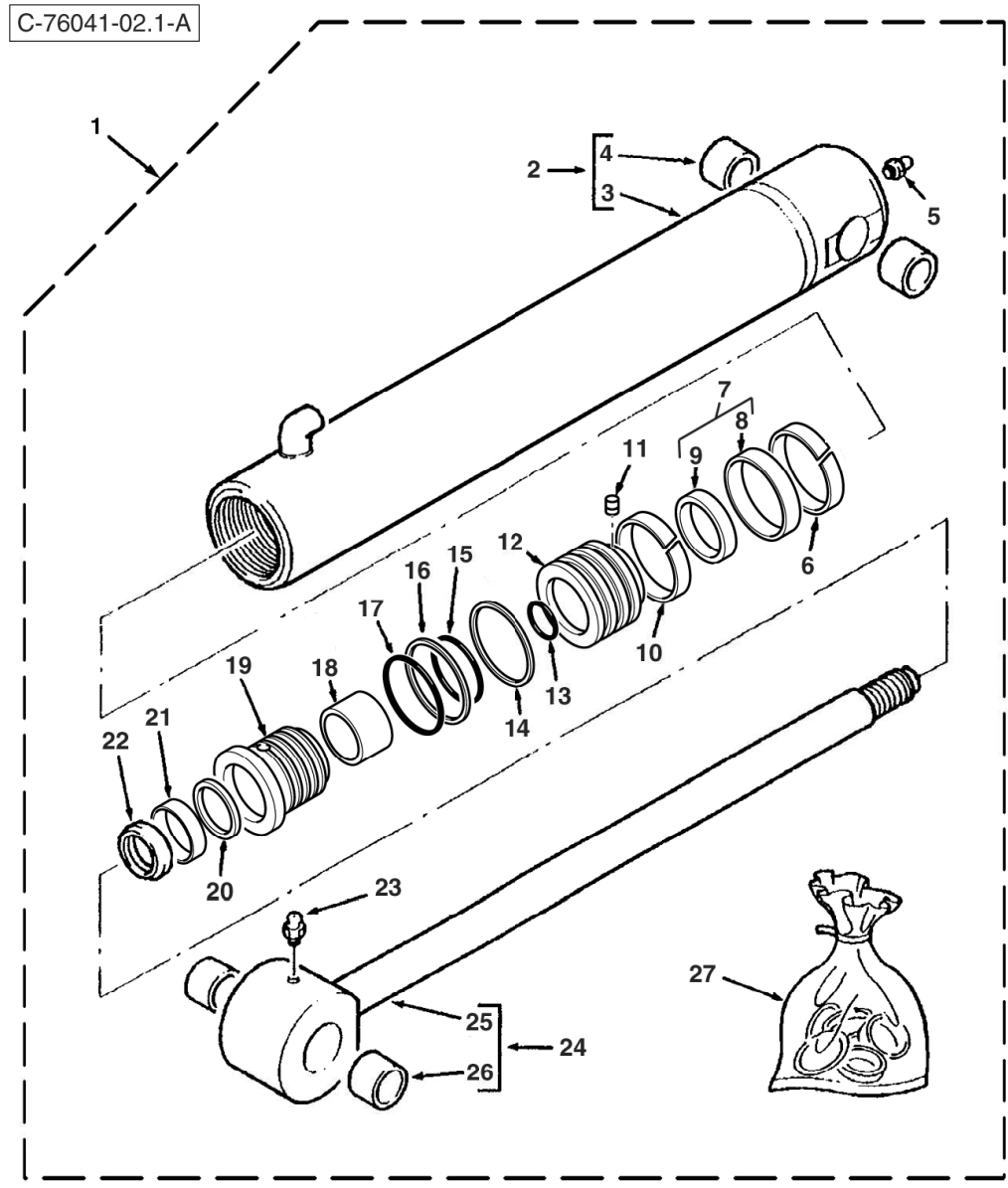
Item	Part No.	Qty.	English	French	German	Spanish	Remarks
1	#CYLINDER ASSY	1	Cylinder Assy	Cylinder Assy	Cylinder Assy	Cylinder Assy	76041c02.1 1 76041c02.2 1
2	835013M91	1	Connector 7/8 Jic	Raccord	Schraubanschluss	Conexión, Conj.	
3	#UNION	1	Union	Union	Union	Union	Ref. 2
4	835024M1	1	Ring O - Boa	Joint Torique	O Ring	Junta De Tipo O	
5	6101540M91	1	Tube Assy Bucket	Tuyauterie	Rohrleitung Kplt	Conjunto De Tubería	Tba Pacoma
5	6111161M91	1	Tube Assembly - Digger Bucket Cylinder	Tuyauterie	Rohrleitung Kplt	Conjunto De Tubería	Tba Wipro
6	339123X1	1	Bolt M8-20 Z5f	Boulon M8 X 20	Maschschraube M8	Perno	
7	385361X1	1	Washer M8 Hardened	Rondelle M8	Scheibe M8	Arandela	
8	835010M91	1	Elbow 45 Adj 7/8unf	Coude 135°	Winkelstück	Codo, 45°	
9	#ELBOW	1	Elbow	Elbow	Elbow	Elbow	Ref. 8
10	835024M1	1	Ring O - Boa	Joint Torique	O Ring	Junta De Tipo O	
11	#HOSE ASSY	1	Hose Assy	Hose Assy	Hose Assy	Hose Assy	Brown
12	#HOSE ASSY	1	Hose Assy	Hose Assy	Hose Assy	Hose Assy	White
13	6111137M91	2	Tube Assy - Bkt 4.5m Boom	Ensemble Tube	Rohr Kpl	Conjunto De Tubería	Ec05/328
13	6101771M91	2	Tube-Bucket-4.5m Boom	Tuyauterie	Rohrleitung Kplt	Conjunto De Tubería	Ec05/328
14	6102945M91	1	Hose-Bucket Rod-Brown	Flexible Ass.	Schlauch Kplt	Flexible, Conj.	Brown Ec05/328
14	6111143M91	1	Hose Assy - Bucket Rod (Brown C/Mount)	Ensemble Durit	Schlauch Kpl	Flexible, Conj.	Brown Ec05/328
15	6102942M91	1	Hose-Bucket Head-White	Flexible Ass.	Schlauch Kplt	Flexible, Conj.	White Ec05/328
15	6111144M91	1	Hose Assy- Bucket HD (White Centremount)	Ensemble Durit	Schlauch Kpl	Flexible, Conj.	White Ec05/328
16	6102128M1	1	Pad-Neoprene	Plaque Antidérapante	Zwischenlage	Cinta Antideslizante	
17	6102122M1	1	Clamp	Collier De Serrage	Klemme	Brida De Fijación	
18	6102130M1	1	Plate-Clamp	Plaque	Platte	Placa	
19	390972X1	2	Washer M8-17-1 Zwl	Rondelle M8	Scheibe - M8	Arandela	
20	3516075M1	2	Stud M8-65 Z5	Goujon	Stehbolzen	Espárrago	
21	394367X1	2	Nut, Hex. - Nyloc, M8	Ecrou Blocage M8	Flachmutter - M8	Tuerca De Retención	
22	6102126M1	2	Clamp	Collier De Serrage	Klemme	Brida De Fijación	
23	6102145M1	2	Pad-Neoprene	Plaque Antidérapante	Zwischenlage	Cinta Antideslizante	
24	6102124M1	2	Plate-Top	Plaque	Platte	Placa	
25	390972X1	4	Washer M8-17-1 Zwl	Rondelle M8	Scheibe - M8	Arandela	
26	6108049M1	4	Stud M8	Goujon	Stehbolzen	Espárrago	

C-76041-01.1-B



Item	Part No.	Qty.	English	French	German	Spanish	Remarks
27	394367X1	4	Nut, Hex. - Nyloc, M8	Ecrou Blocage M8	Flachmutter - M8	Tuerca De Retención	
28	8000-1379	4	Tie Wrap (530 X 13mm)	Bride	Buegel	Banda	

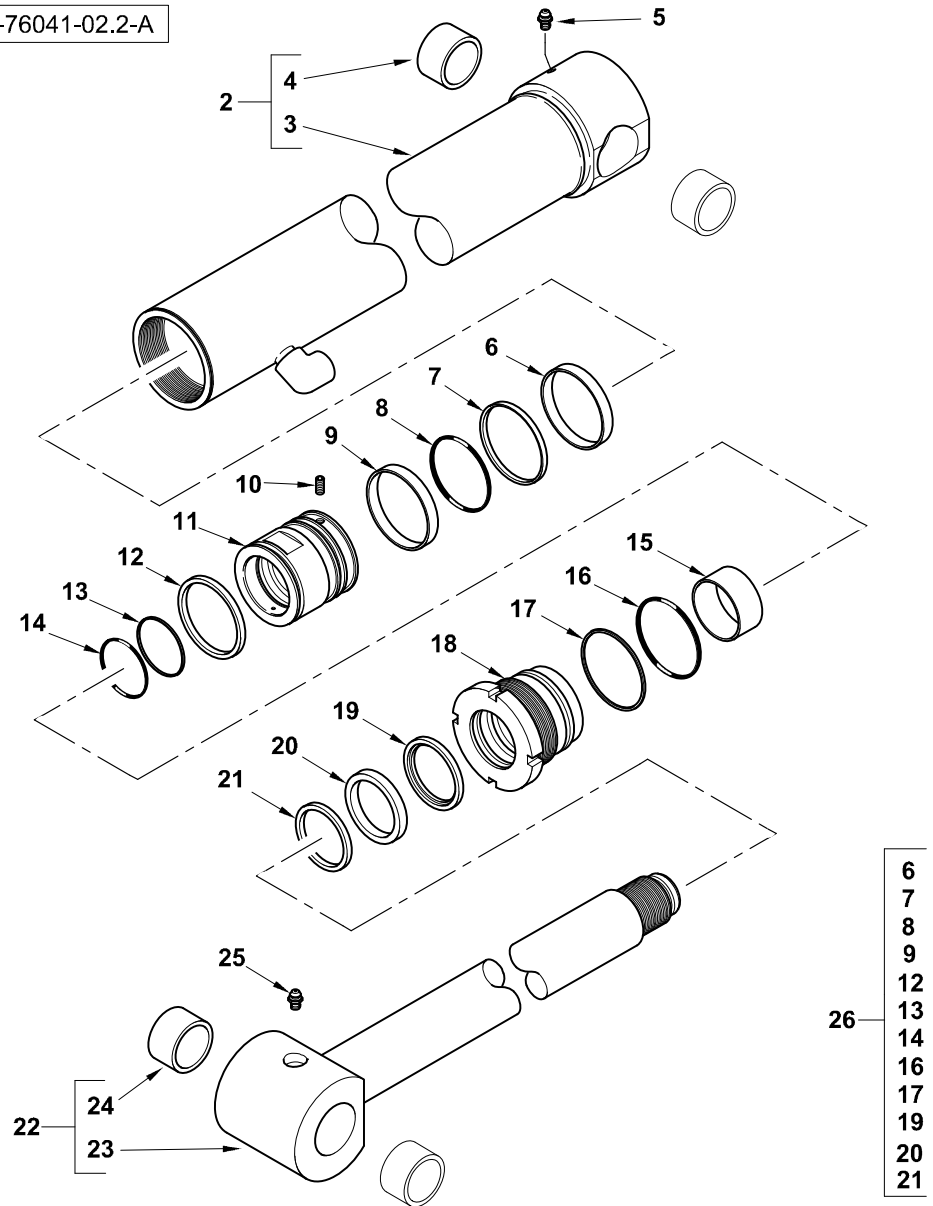




Item	Part No.	Qty.	English	French	German	Spanish	Remarks
1	5000126M91GY02	1	Cylinder Digger Bucket (Benford Grey)	L´Hie Hydraulique	Zylinder Hydr.	Gato, Conj.	Tba [76041c01.1 1]
2	5004008M91	1	Barrel Assy	Cylindre	Zylinder	Cilindro	
3	#TUBE, CYLINDER	1	Tube, Cylinder	Tube, Cylinder	Tube, Cylinder	Tube, Cylinder	Ref. 2
4	#BUSHING	1	Bushing	Douille	Busche	Boccola	
5	339608X1	1	Grease Nipple - M10 X 1 (Zinc)	Nipple De Graissage	Schmiernippel	Engrasador	
6	3485892M1	1	Guide Ring Piston	Bague D´Étanchéité	Dichtungsring	Anillo, Estanqueidad	
7	3485245M91	1	Seal Assy Piston	Joint Ass.	Dichtung Kplt	Junta, Conj.	
8	#SEAL	1	Seal	Joint Étanchéité	Dichtring	Retén	Ref. 7
9	#RING	1	Ring	Anneau	Ring	Aro	Ref. 7
10	3485892M1	1	Guide Ring Piston	Bague D´Étanchéité	Dichtungsring	Anillo, Estanqueidad	
11	3402928M1	1	Screw, Socket Head - Piston Locating	Vis Tête Hex	Zylinderschraube	Tornillo	
12	3623372M1	1	Piston	Piston	Kolben	Pistón	
13	359186X1	1	O-Ring	Joint Torique	O-Ring	Junta De Tipo O	
14	3623061M1	1	Ring Piston	Segment De Piston	Kolbenring	Segmento De Pistón	
15	359193X1	1	O-Ring	Joint Torique	O-Ring	Junta De Tipo O	
16	1606735M1	1	Ring Back-Up	Contre Bague	Stützring	ContraJunta	
17	3487207M1	1	O-Ring	Joint Torique	O-Ring	Junta De Tipo O	
18	3484615M1	1	Guide Ring	Anneau	Ring	Aro	
19	3623371M1	1	Gland - Bucket Cylinder	Presse Étoupe	Stopfbuchse	Cojinete	
20	3484055M1	1	Ring Buffer	Anneau	Ring	Aro	
21	3485185M1	1	Seal	Joint D´Arbre	Wellendichtring	Junta	
22	3487015M1	1	Wiper Ring	Anneau	Ring	Aro	
23	339608X1	1	Grease Nipple - M10 X 1 (Zinc)	Nipple De Graissage	Schmiernippel	Engrasador	
24	5004012M91	1	Piston Rod Assy - Nla	Tige De Vérin	Kolbenstange	Vástago Cilindro	
25	#ROD, PISTON	1	Rod, Piston	Rod, Piston	Rod, Piston	Rod, Piston	Ref. 24
26	#BUSHING	1	Bushing	Douille	Busche	Boccola	
27	3623373M91	1	Kit Seal	Jeu Etancheite	Dichtringsatz	Juego De Juntas	

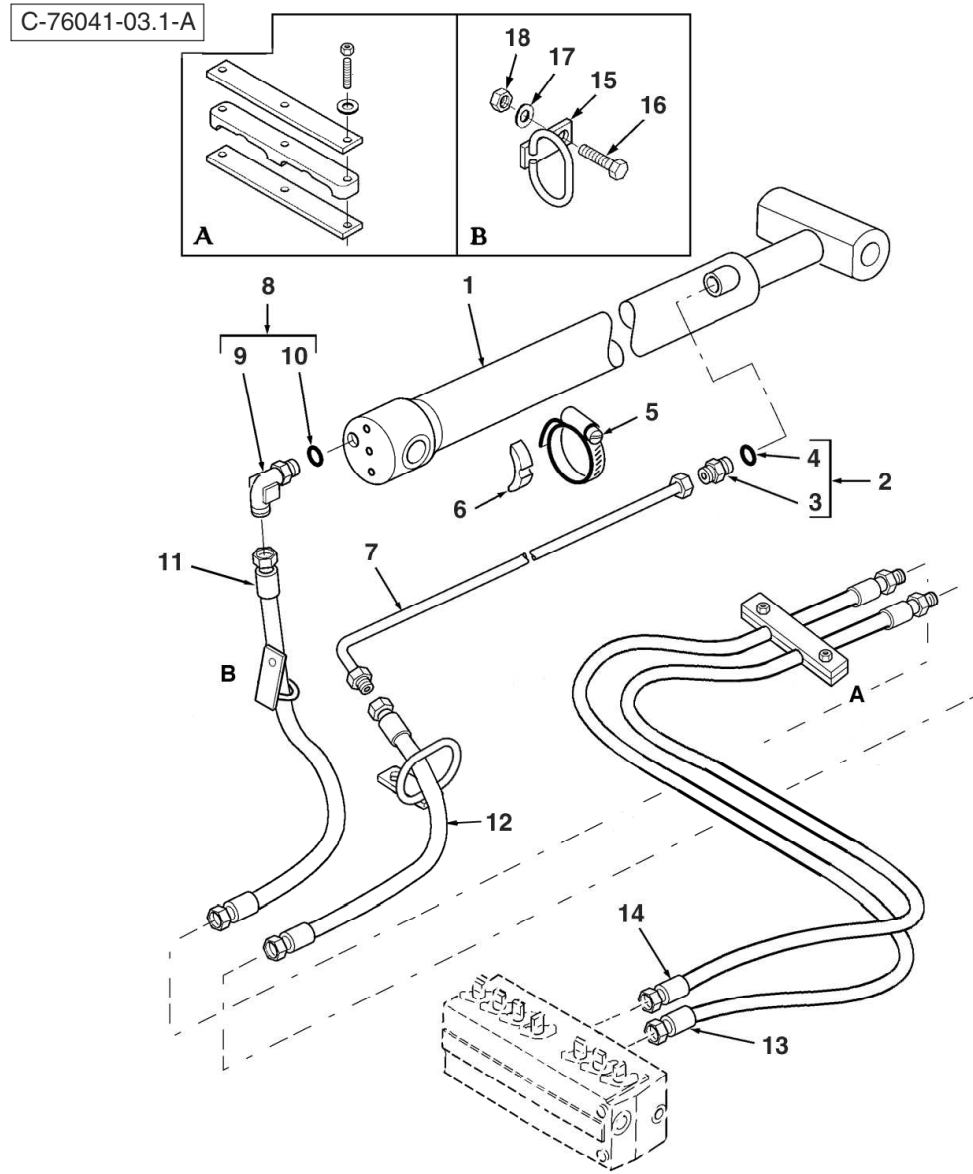


C-76041-02.2-A



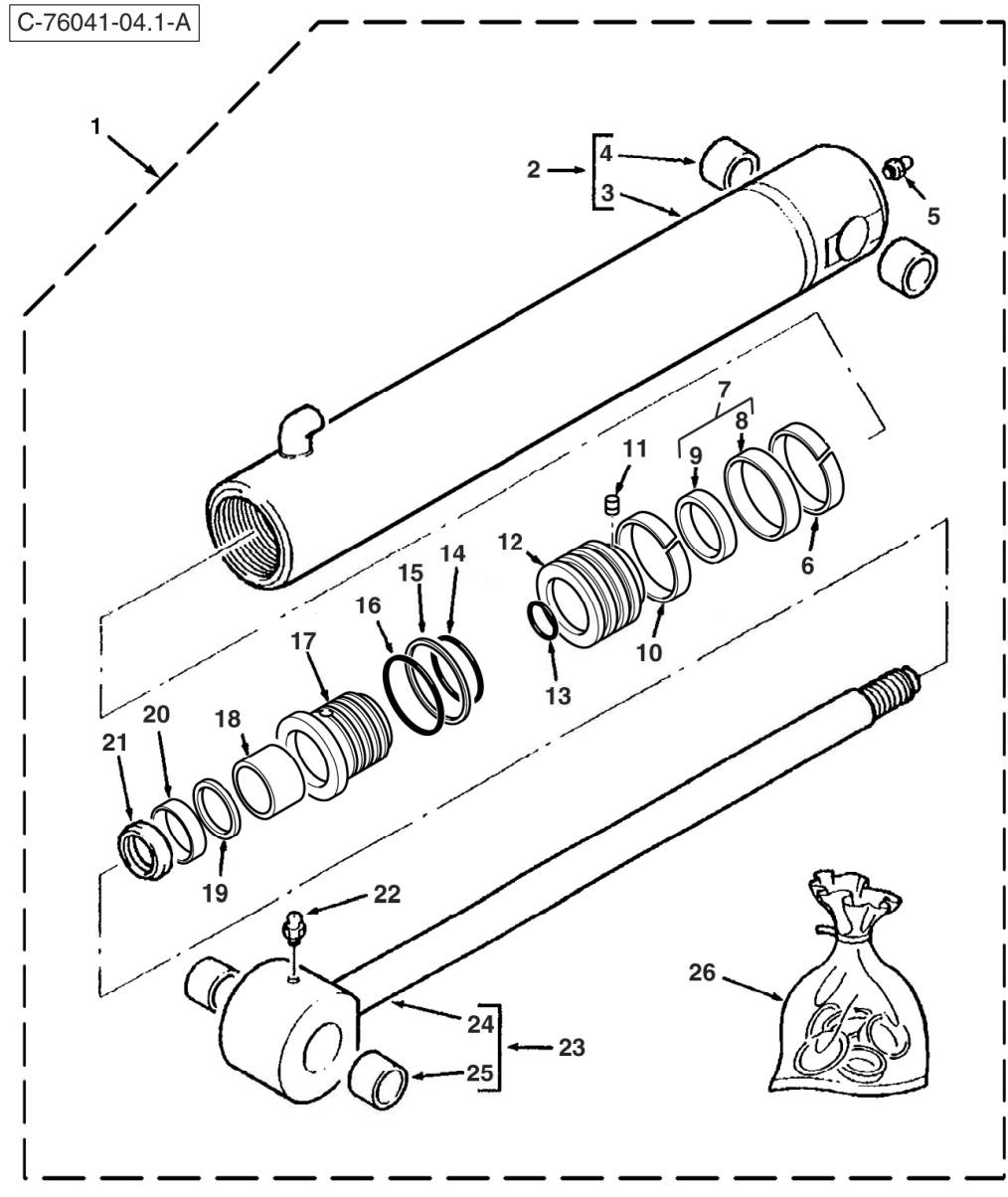
Item	Part No.	Qty.	English	French	German	Spanish	Remarks
1	6111070M91GY03	1	Cylinder- Digger Bucket	Cylindre	Zylinder	Gato, Conj.	Tba [76041c01.1 1]
2	6194629M91	1	Barrel - Cylinder	Corps Cylindre	Zylindergehäuse	Tubo	
3	#TUBE	1	Tube	Tube	Tube	Tube	Ref. 2
4	6194562M1	2	Bush	Douille	Büchse	Casquillo	
5	6194542M1	1	Nipple - Grease	Graisseur Coude	Nippel	Manguito, Engrasador	
6	6194634M1	1	Bearing - Piston	Coussinet	Lager	Teniendo - Pistón	
7	6194635M1	1	Seal - Piston	Joint Étanchéité	Dichtring	Junta	
8	6194636M1	1	O Ring (Std)	Joint Torique	O Ring	Junta De Tipo O	
9	6194634M1	1	Bearing - Piston	Coussinet	Lager	Teniendo - Pistón	
10	6194633M1	1	Set Screw - Hex Socket	Vis Tete Hex	Zylinderschraube	Tornillo De Ajuste	
11	6194631M1	1	Piston	Piston	Kolben	Pistón	
12	6194637M1	1	Ring - Piston	Segment Piston	Kolbenring	Segmento De Pistón	
13	6194625M1	1	Ring - Back Up	Contre Bague	Stutzring	ContraJunta	
14	6194624M1	1	O Ring (Std)	Joint Torique	O Ring	Junta De Tipo O	
15	6194541M1	1	Bush - Bimetal	Douille	Büchse	Juego De Anillos	
16	6194640M1	1	O Ring (Std)	Joint Torique	O Ring	Junta De Tipo O	
17	6194641M1	1	Ring - Back Up	Contre Bague	Stutzring	ContraJunta	
18	6194632M1	1	End Cover - Head	Couvercle	Deckel	Tapa	
19	6194638M1	1	Seal - Rod (Primary)	Joint Étanchéité	Dichtring	Junta	
20	6194639M1	1	Seal- Rod (Secondary)	Joint Étanchéité	Dichtring	Junta	
21	6194554M1	1	Wiper	Essuyeur	Wischer	Raspador, Escobilla	
22	6194630M91	1	Rod - Piston	Bielle De Piston	Pleuelstange	Rod - Pistón	
23	#ROD	1	Rod	Rod	Rod	Rod	Ref. 22
24	6194562M1	2	Bush	Douille	Büchse	Casquillo	
25	6194542M1	1	Nipple - Grease	Graisseur Coude	Nippel	Manguito, Engrasador	
26	6194642M91	0	Seal Kit	Jeu Etancheite	Dichtringsatz	Juego De Juntas	





Item	Part No.	Qty.	English	French	German	Spanish	Remarks
1	#CYLINDER ASSY	1	Cylinder Assy	Cylinder Assy	Cylinder Assy	Cylinder Assy	76041c04.1 1 76041c04.2 1
2	835013M91	1	Connector 7/8 Jic	Raccord	Schraubanschluss	Conexión, Conj.	
3	#UNION	1	Union	Union	Union	Union	Ref. 2
4	835024M1	1	Ring O - Boa	Joint Torique	O Ring	Junta De Tipo O	
5	3517733M1	1	Clamp Hose 130-150	Collier De Serrage	Schlauchbinder	Argolla De Cierre	
6	D142787	1	Saddle (See 142787d)	Selle	Sattel	Bloque De Caucho	
7	6100976M92	1	Tube Assy. - Dipperstick Cylinder	Tuyauterie	Rohrleitung Kplt	Conjunto De Tubería	Tba Pacoma
7	6111162M91	1	Tube Assembly - Dipper Cylinder	Tuyauterie	Rohrleitung Kplt	Conjunto De Tubería	Tba Wipro
8	6101624M91	1	Elbow 90deg-Long	Coude À 90°	Winkelstuck	Codo, 90°	
9	#ELBOW	1	Elbow	Elbow	Elbow	Elbow	Ref. 8
10	835024M1	1	Ring O - Boa	Joint Torique	O Ring	Junta De Tipo O	
11	6101738M91	1	Hose-Dipper Head	Flexible Ass.	Schlauch Kplt	Flexible, Conj.	Yellow
12	6101737M91	1	Hose-Dipper Rod	Flexible Ass.	Schlauch Kplt	Flexible, Conj.	Red
13	6102941M91	1	Hose-Dipper Head-Yellow	Flexible Ass.	Schlauch Kplt	Flexible, Conj.	Yellow
14	6102944M91	1	Hose-Dipper Rod	Flexible Ass.	Schlauch Kplt	Flexible, Conj.	Red
15	6101491M92	2	Hose Hoop Assy	Ensemble De Support	Haltevorrichtung Kpl.	Apoyadero, Conj.	
16	339761X1	2	Bolt M8-25 Z5f	Goupille	Bolzen M8 X 25	Tornillo	
17	390972X1	2	Washer M8-17-1 Zwel	Rondelle M8	Scheibe - M8	Arandela	
18	394367X1	2	Nut, Hex. - Nyloc, M8	Ecrou Blocage M8	Flachmutter - M8	Tuerca De Retención	

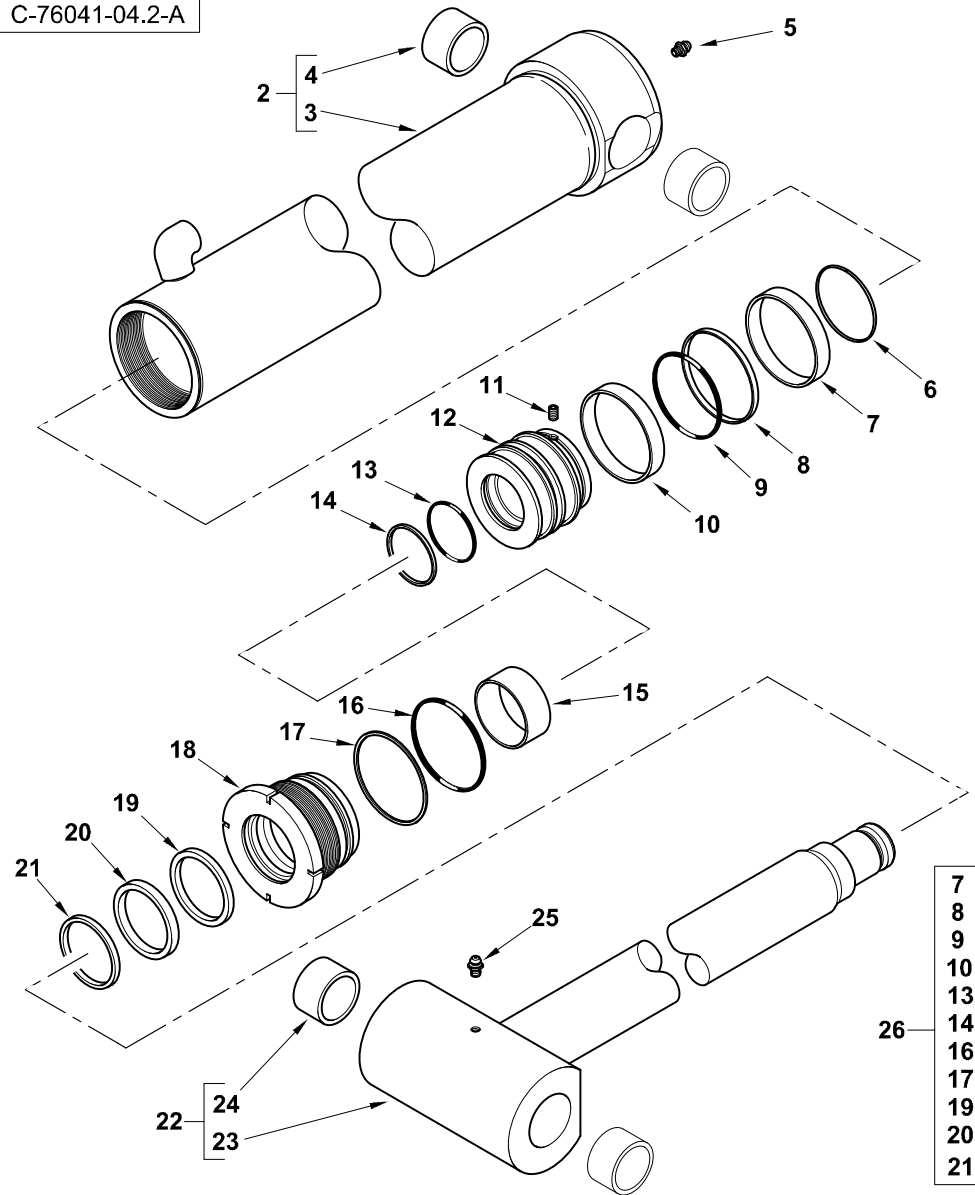




Item	Part No.	Qty.	English	French	German	Spanish	Remarks
1	5000124M91GY02	1	Cylinder Dipperstick (Benford Grey)	L´Hie Hydraulique	Zylinder Hydr.	Gato, Conj.	Tba [76041c03.1 1]
2	5003982M91	1	Barrel Assy. - Dipper Cylinder	Corps Cylindre	Zylindergehäuse	Cilindro	
3	#TUBE, CYLINDER	1	Tube, Cylinder	Tube, Cylinder	Tube, Cylinder	Tube, Cylinder	Ref. 2
4	3484843M1	1	Bush, Hydr. Cylinders	Douille	Buechse	Casquillo	
5	339608X1	1	Grease Nipple - M10 X 1 (Zinc)	Nipple De Graissage	Schmiernippel	Engrasador	
6	3485891M1	1	Guide Ring Piston	Anneau	Ring	Aro	
7	3485247M91	1	Seal Piston	Joint	Dichtung	Junta, Conj.	
8	#SEAL	1	Seal	Joint Étanchéité	Dichtring	Retén	Ref. 7
9	#RING	1	Ring	Anneau	Ring	Aro	Ref. 7
10	3485891M1	1	Guide Ring Piston	Anneau	Ring	Aro	
11	3402928M1	1	Screw, Socket Head - Piston Locating	Vis Tête Hex	Zylinderschraube	Tornillo	
12	5003989M1	1	Piston	Piston	Kolben	Pistón	
13	3007182X1	1	O-Ring	Joint Torique	O-Ring	Junta De Tipo O	
14	359196X1	1	O Ring	Joint Torique	O Ring	Junta De Tipo O	
15	378545X1	1	Ring - Backup	Contre Bague	Stutzring	Aro	
16	3487908M1	1	O Ring, Hydr. Cylinder	Joint Torique	O Ring	Junta De Tipo O	
17	5003988M1	1	Bearing Cylinder	Roulement	Lager	Cojinete	
18	3623193M1	1	Guide Ring	Anneau	Ring	Aro	
19	3443388M1	1	Ring - Back Up	Anneau	Ring	Aro	
20	3443472M1	1	Seal	Joint D´Arbre	Wellendichtring	Junta	
21	3403385M1	1	Wiper Ring	Joint De Racleur	Abstreifdichtung	Junta Raspador	
22	339608X1	1	Grease Nipple - M10 X 1 (Zinc)	Nipple De Graissage	Schmiernippel	Engrasador	
23	5003985M91	1	Piston Rod Assy	Tige De Vérin	Kolbenstange	Vástago Cilindro	
24	#ROD, PISTON	1	Rod, Piston	Rod, Piston	Rod, Piston	Rod, Piston	Ref. 23
25	3484843M1	1	Bush, Hydr. Cylinders	Douille	Buechse	Casquillo	
26	5004401M91	1	Kit Seal	Jeu Étanchéité	Dichtringsatz	Juego De Juntas	



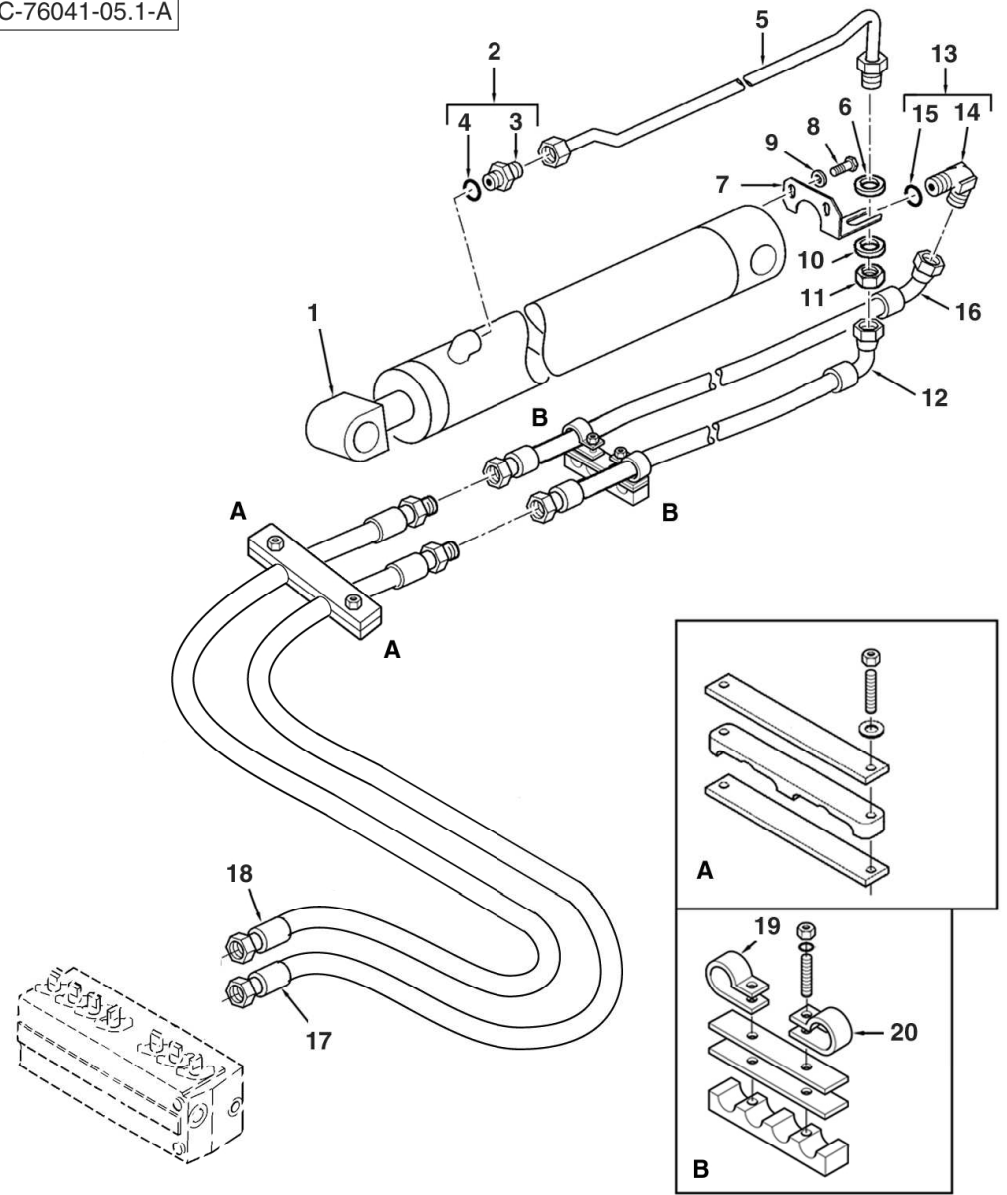
C-76041-04.2-A



Item	Part No.	Qty.	English	French	German	Spanish	Remarks
1	6111069M91GY03	1	Cylinder - Dipperstick	Cylindre	Zylinder	Gato, Conj.	Tba [76041c03.1 1]
2	6194615M91	1	Barrel - Cylinder	Corps Cylindre	Zylindergehäuse	Conjunto De Tubería	
3	#TUBE	1	Tube	Tube	Tube	Tube	Ref. 2
4	6194562M1	2	Bush	Douille	Büchse	Casquillo	
5	6194542M1	1	Nipple - Grease	Graisseur Coude	Nippel	Manguito, Engrasador	
6	6194620M1	1	Ring - Snap	Fermeoir	Sprengring	Anillo De Resorte	
7	6194621M1	1	Bearing - Piston	Coussinet	Lager	Teniendo - Pistón	
8	6194622M1	1	Seal - Piston	Joint Étanchéité	Dichtring	Junta	
9	6194623M1	1	O Ring (Std)	Joint Torique	O Ring	Junta De Tipo O	
10	6194621M1	1	Bearing - Piston	Coussinet	Lager	Teniendo - Pistón	
11	6194619M1	1	Set Screw	Vis	Schraube	Tornillo De Ajuste	
12	6194617M1	1	Piston	Piston	Kolben	Pistón	
13	6194624M1	1	O Ring (Std)	Joint Torique	O Ring	Junta De Tipo O	
14	6194625M1	1	Ring - Back Up	Contre Bague	Stutzring	ContraJunta	
15	6194565M1	1	Bush - Bimetal	Douille	Büchse	Juego De Anillos	
16	6194626M1	1	O Ring (Std)	Joint Torique	O Ring	Junta De Tipo O	
17	6194627M1	1	Ring - Back Up	Contre Bague	Stutzring	ContraJunta	
18	6194618M1	1	End Cover - Head	Couvercle	Deckel	Tapa	
19	6194575M1	1	Seal - Rod (Primary)	Joint Étanchéité	Dichtring	Junta	
20	6194576M1	1	Seal- Rod (Secondary)	Joint Étanchéité	Dichtring	Junta	
21	6194573M1	1	Wiper	Essuyeur	Wischer	Raspador, Escobilla	
22	6194616M91	1	Rod - Piston	Bielle De Piston	Pleuelstange	Rod - Pistón	
23	#ROD	1	Rod	Rod	Rod	Rod	Ref. 22
24	6194562M1	2	Bush	Douille	Büchse	Casquillo	
25	6194542M1	1	Nipple - Grease	Graisseur Coude	Nippel	Manguito, Engrasador	
26	6194628M91	0	Seal Kit	Jeu Etancheite	Dichtringsatz	Juego De Juntas	

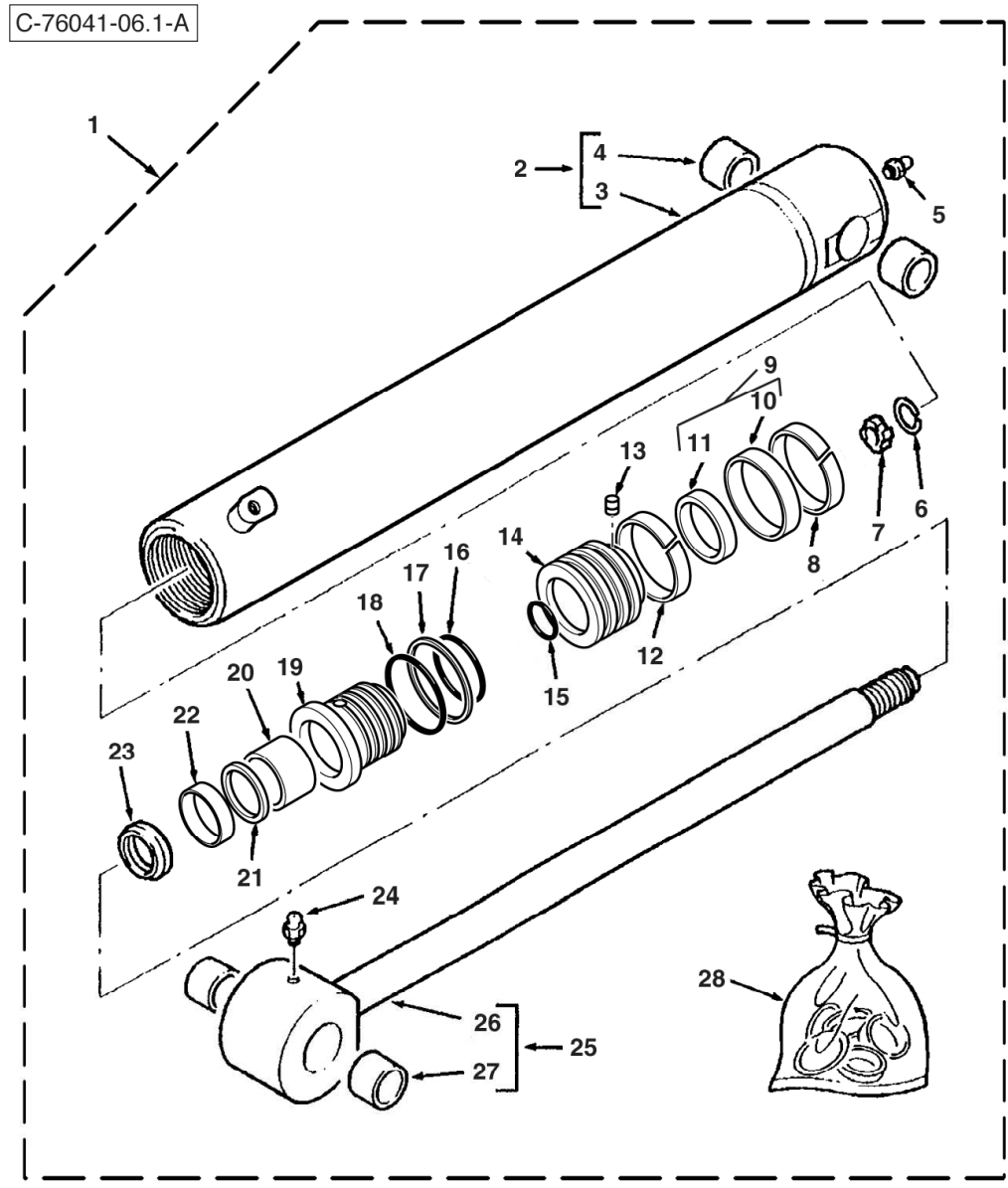


C-76041-05.1-A



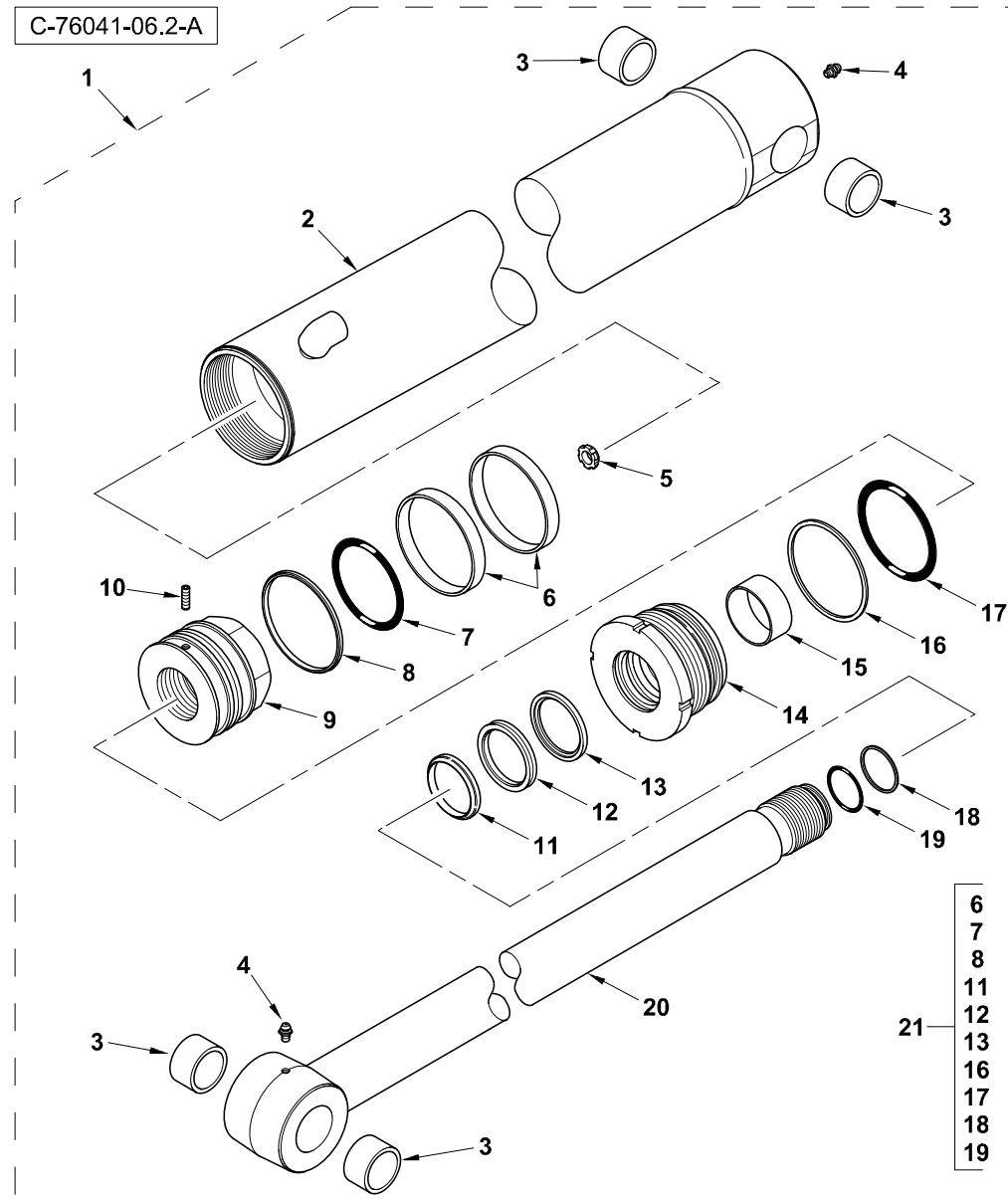
Item	Part No.	Qty.	English	French	German	Spanish	Remarks
1	6111078M91GY03	1	Cylinder Boom 4.5	Cylindre 4.5m	Zylinder 4.5m	Cilindro 4.5m	Wipro
1	5000122M91	1	Cylinder 4.5m B00m - Hi Spec	L' Hie Hydraulique	Zylinder Hydr.	Gato, Conj.	Pacoma
2	835013M91	1	Connector 7/8 Jic	Raccord	Schraubanschluss	Conexión, Conj.	
3	#UNION	1	Union	Union	Union	Union	Ref. 2
4	835024M1	1	Ring O - Boa	Joint Torique	O Ring	Junta De Tipo O	
5	6100855M91	1	Tube-Cylinder-4.5 Boom	Tuyauterie	Rohrleitung Kplt	Conjunto De Tubería	Pacoma
5	6111166M91	1	Tube Assembly - Boom Cylinder 4.5m	Tuyauterie	Rohrleitung Kplt	Conjunto De Tubería	Wipro
6	353763X1	1	Washer	Rondelle	Scheibe	Arandela	
7	6100883M1	1	Bracket-Cylinder-Boom	Patte Fixation	Halter	Pata De Fijación	
8	339228X1	2	Bolt, Hex. - M8 X 12 (Coarse)	Boulon M8 X 12	Maschschraube M8	Tornillo	
9	339374X1	2	Washer M8 -21-2 Z	Rondelle Frein - M8	Federring - M8	Arandela De Freno	
10	353763X1	1	Washer	Rondelle	Scheibe	Arandela	
11	355574X1	1	Nut, Hex. - 7/8" Unf, Lock	Ecrou 7/8" Unf	Mutter 7/8" Unf	Tuerca	
12	6101735M92	1	Hose-Boom Cyl Rod	Flexible Ass.	Schlauch Kplt	Flexible, Conj.	Orange
13	835007M91	1	Elbow 90 Degree Adjust	Coude 90°	Kniestück 90°	Codo, 90°	
14	#ELBOW	1	Elbow	Elbow	Elbow	Elbow	Ref. 13
15	835024M1	1	Ring O - Boa	Joint Torique	O Ring	Junta De Tipo O	
16	6101736M92	1	Hose, "Blue" - Boom Cylinder Feed	Flexible	Schlauch	Flexible, Conj.	Blue
17	6102943M91	1	Hose-Boom Rod-Orange	Flexible Ass.	Schlauch Kplt	Flexible, Conj.	Orange
18	6102940M91	1	Hose-Boom Head-Blue	Flexible Ass.	Schlauch Kplt	Flexible, Conj.	Blue
19	515-23270	1	Clip-Coated P	Clip	Klips	Clip	
20	515-23206	1	P Clip Bsr081hs	Bride Pour Tutaux	Schlauchschelle	Abrazadera De Manguera	





Item	Part No.	Qty.	English	French	German	Spanish	Remarks
1	5000122M91	1	Cylinder 4.5m B00m - Hi Spec	L´Hie Hydraulique	Zylinder Hydr.	Gato, Conj.	76041c05.1 1
2	5003912M91	1	Barrel Assy	Cylindre	Zylinder	Cilindro	
3	#TUBE, CYLINDER	1	Tube, Cylinder	Tube, Cylinder	Tube, Cylinder	Tube, Cylinder	Ref. 2
4	#BUSHING	2	Bushing	Douille	Busche	Boccola	
5	339608X1	1	Grease Nipple - M10 X 1 (Zinc)	Nipple De Graissage	Schmiernippel	Engrasador	
6	1609899M1	1	Snap Ring	Anneau D´Arrêt	Sprengring	Anillo De Resorte	
7	1609328M1	1	Ring Cushioning	Anneau	Ring	Aro	
8	3403852M1	1	Ring, Guide - Piston	Anneau	Ring	Aro	
9	3485213M91	1	Seal Piston	Joint	Dichtung	Junta, Conj.	
10	#SEAL	1	Seal	Joint Étanchéité	Dichtring	Retén	Ref. 9
11	#SEAL	1	Seal	Joint Étanchéité	Dichtring	Retén	Ref. 9
12	3403852M1	1	Ring, Guide - Piston	Anneau	Ring	Aro	
13	3402928M1	1	Screw, Socket Head - Piston Locating	Vis Tête Hex	Zylinderschraube	Tornillo	
14	3484189M1	1	Piston	Piston	Kolben	Pistón	
15	3007182X1	1	O-Ring	Joint Torique	O-Ring	Junta De Tipo O	
16	359203X1	1	O-Ring	Joint Torique	O-Ring	Junta De Tipo O	
17	367120X1	1	Back-Up Ring	Contre Bague	Stützring	Aro	
18	3487909M1	1	O-Ring	Joint Torique	O-Ring	Junta De Tipo O	
19	3623202M1	1	Bearing	Roulement	Lager	Cojinete	
20	3623193M1	1	Guide Ring	Anneau	Ring	Aro	
21	3443388M1	1	Ring - Back Up	Anneau	Ring	Aro	
22	3443472M1	1	Seal	Joint D´Arbre	Wellendichtring	Junta	
23	3403385M1	1	Wiper Ring	Joint De Racleur	Abstreifdichtung	Junta Raspador	
24	339608X1	1	Grease Nipple - M10 X 1 (Zinc)	Nipple De Graissage	Schmiernippel	Engrasador	
25	3441629M91	1	Piston Rod Assy	Tige De Vérin	Kolbenstange	Vástago Cilindro	
26	#ROD, PISTON	1	Rod, Piston	Rod, Piston	Rod, Piston	Rod, Piston	Ref. 25
27	3484843M1	1	Bush, Hydr. Cylinders	Douille	Buechse	Casquillo	
28	3623589M91	1	Kit, Seal - Hydraulic Cylinder	Jeu Etancheite	Dichtringsatz	Juego De Juntas	

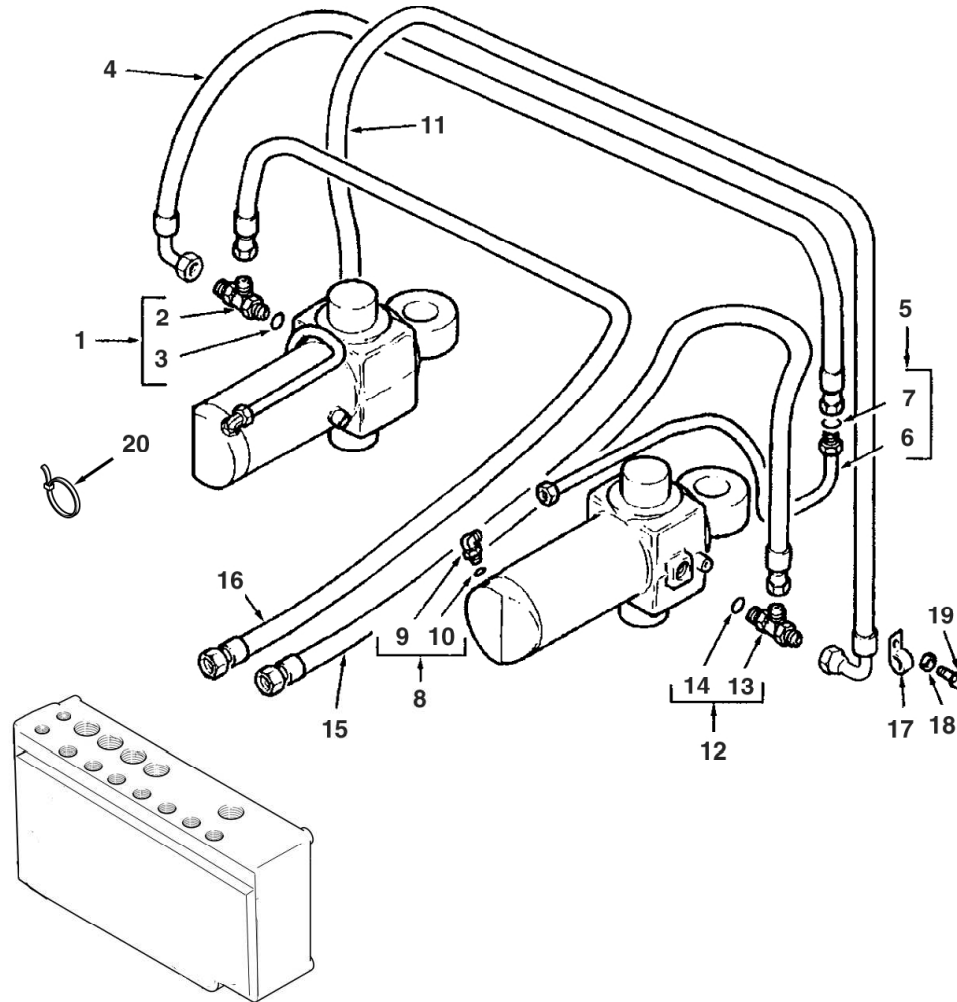




Item	Part No.	Qty.	English	French	German	Spanish	Remarks
1	6111078M91GY03	1	Cylinder Boom 4.5	Cylindre 4.5m	Zylinder 4.5m	Cilindro 4.5m	
2	6195249M91GY03	1	Tube - S/A (Terex Grey)	Tube - S/A (Terex Grey)	Tube - S/A (Terex Grey)	Tube - S/A (Terex Grey)	
3	6195253M1	4	Bush	Douille	Buchse	Casquillo	
4	6195255M1	2	Grease Nipple	Grease Nipple	Grease Nipple	Grease Nipple	
5	6195235M1	1	Ring - Cushion	Ring - Cushion	Ring - Cushion	Ring - Cushion	
6	6195259M1	2	Bearing - Piston	Bearing - Piston	Bearing - Piston	Bearing - Piston	
7	6195258M1	1	O - Ring	O - Ring	O - Ring	O - Ring	
8	6195257M1	1	Seal - Piston	Seal - Piston	Seal - Piston	Seal - Piston	
9	6195251M1	1	Piston	Piston	Piston	Piston	
10	6195254M1	1	Set Screw - Hex. Socket	Set Screw - Hex. Socket	Set Screw - Hex. Socket	Set Screw - Hex. Socket	
11	6194573M1	1	Wiper	Essuyeur	Wischer	Raspador, Escobilla	
12	6195262M1	1	Seal - Rod (Secondary)	Seal - Rod (Secondary)	Seal - Rod (Secondary)	Seal - Rod (Secondary)	
13	6194575M1	1	Seal - Rod (Primary)	Joint Étanchéité	Dichtring	Junta	
14	6195252M1	1	Cover - H.E.	Cover - H.E.	Cover - H.E.	Cover - H.E.	
15	6195256M1	1	Bush - Bimetal	Bush - Bimetal	Bush - Bimetal	Bush - Bimetal	
16	6195261M1	1	Ring - Back Up	Ring - Back Up	Ring - Back Up	Ring - Back Up	
17	6195260M1	1	O - Ring	O - Ring	O - Ring	O - Ring	
18	6194570M1	1	Ring - Back Up	Contre Bague	Stutzring	ContraJunta	
19	6195247M1	1	O - Ring	O - Ring	O - Ring	O - Ring	
20	6195250M91	1	Piston Rod - S/A	Piston Rod - S/A	Piston Rod - S/A	Piston Rod - S/A	
21	6195263M91	1	Seal Kit	Jeu Etancheite	Dichtringsatz	Juego Retenes	



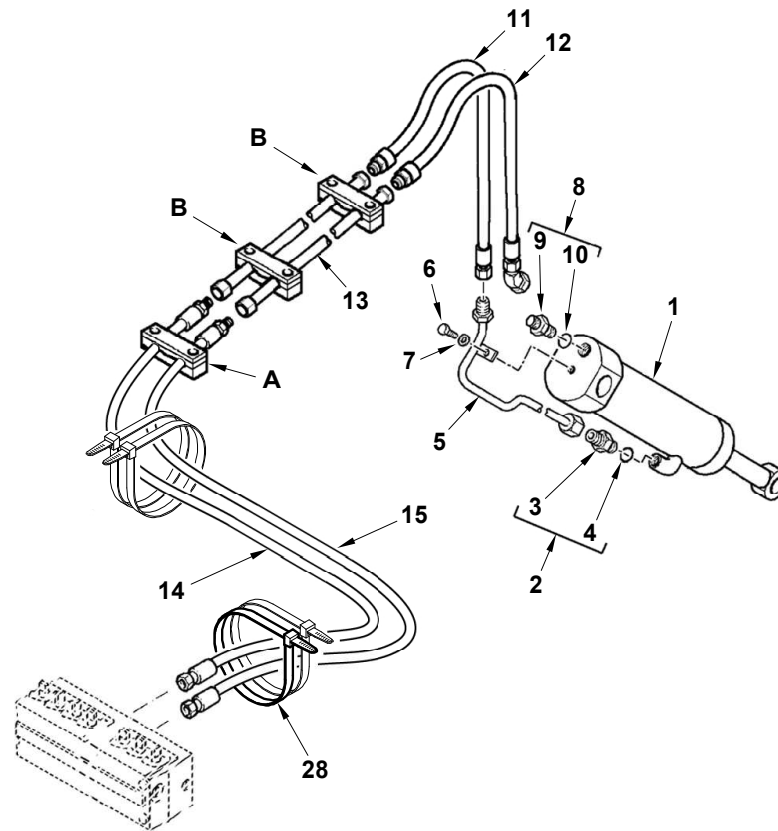
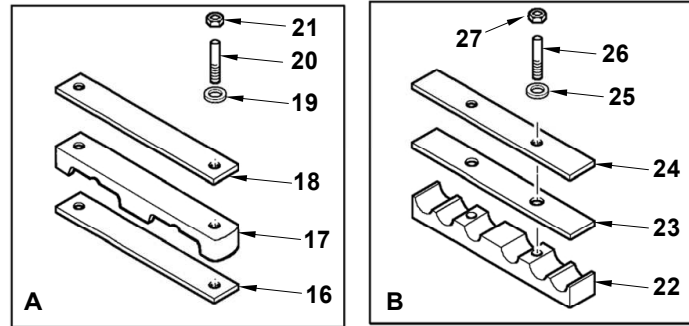
C-76041-07.1-A



Item	Part No.	Qty.	English	French	German	Spanish	Remarks
1	358728X91	1	Tee	Te	T-Stück	Te	
2	#TEE	1	Tee	Tee	Tee	Tee	Ref. 1
3	831497M1	1	O-Ring	Joint Torique	O-Ring	Junta De Tipo O	
4	6100716M91	1	Hose Slew Trsfr	Flexible Ass.	Schlauch Kplt	Flexible, Conj.	
5	6100589M91	1	Tube Slew Trsf RH	Tuyauterie	Rohrleitung Kplt	Conjunto De Tubería	Pacoma
5	6111175M92	1	Tube Assy Slew	Ensemble Tube	Rohr Kpl	Conj.De Tubo	RH Wipro
5	6100587M91	1	Tube Slew Trsf LH	Tuyauterie	Rohrleitung Kplt	Conjunto De Tubería	Pacoma
5	6111174M92	1	Tube Assy Slew	Ensemble Tube	Rohr Kpl	Conj. De Tubo	LH Wipro
6	#TUBE	1	Tube	Tube	Tube	Tube	Ref. 5
7	394923X1	1	O Ring	Joint Torique	O Ring	Junta De Tipo O	
8	357197X91	2	Elbow & O Ring	Coude	Kniestück, 90°	Codo, 90°	
9	#ELBOW	1	Elbow	Elbow	Elbow	Elbow	Ref. 8
10	831452M1	1	O Ring (Pack Of 10)	Joint Torique	O Ring	Junta De Tipo O	
11	6100716M91	1	Hose Slew Trsfr	Flexible Ass.	Schlauch Kplt	Flexible, Conj.	
12	358728X91	1	Tee	Te	T-Stück	Te	
13	#TEE	1	Tee	Tee	Tee	Tee	Ref. 12
14	831497M1	1	O-Ring	Joint Torique	O-Ring	Junta De Tipo O	
15	6100715M92	1	Hose-Digger-Green	Flexible Ass.	Schlauch Kplt	Flexible, Conj.	Purple
16	6101866M93	1	Hose-Digger-Green	Flexible Ass.	Schlauch Kplt	Flexible, Conj.	Green
17	3517114M2	2	P - Clip	Collier De Fixation	Befestigungsschelle	Argolla De Fijación	
18	385361X1	2	Washer M8 Hardened	Rondelle M8	Scheibe M8	Arandela	
19	339228X1	2	Bolt, Hex. - M8 X 12 (Coarse)	Boulon M8 X 12	Maschschraube M8	Tornillo	
20	1862425M1	1	Tie 385mm T50I	Attache Cable	Kabelbinder	Enlace De Cable	



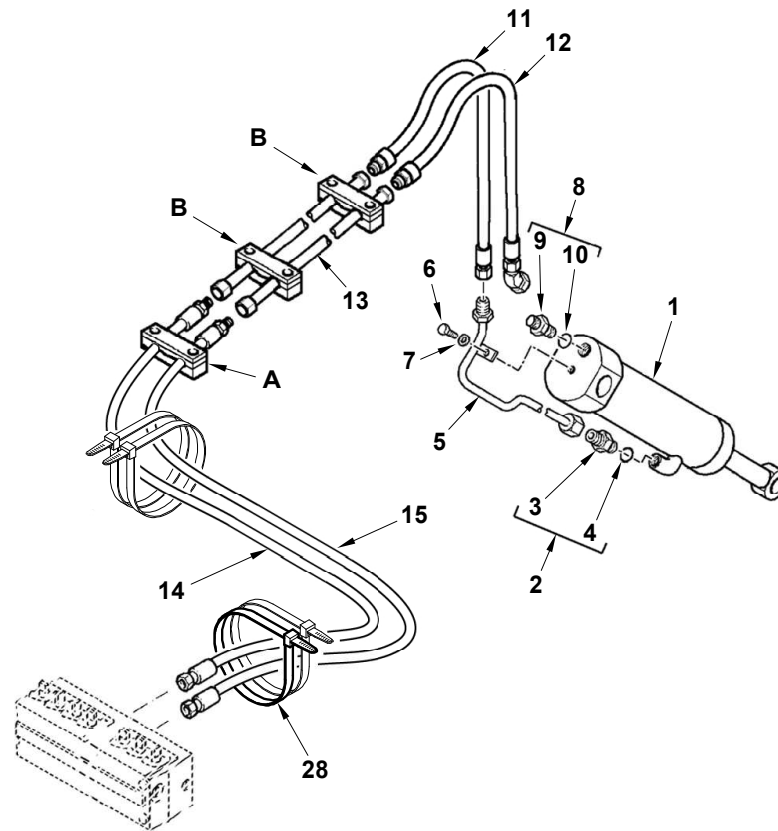
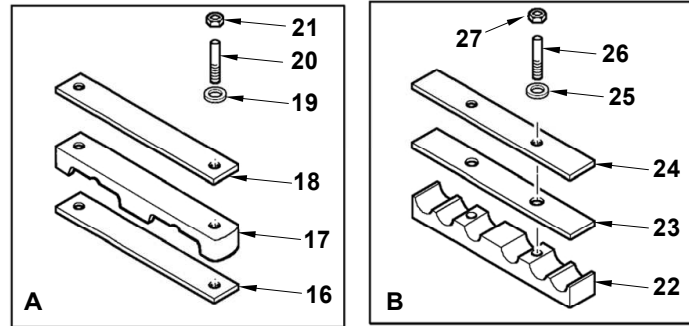
C-76042-01.1-B



Item	Part No.	Qty.	English	French	German	Spanish	Remarks
1	#CYLINDER ASSY	1	Cylinder Assy	Cylinder Assy	Cylinder Assy	Cylinder Assy	76042c02.1 1 76042c02.2 1
2	835013M91	1	Connector 7/8 Jic	Raccord	Schraubanschluss	Conexión, Conj.	
3	#UNION	1	Union	Union	Union	Union	Ref. 2
4	835024M1	1	Ring O - Boa	Joint Torique	O Ring	Junta De Tipo O	
5	6111161M91	1	Tube Assembly - Digger Bucket Cylinder	Tuyauterie	Rohrleitung Kplt	Conjunto De Tubería	Tba Wipro
5	6101540M91	1	Tube Assy Bucket	Tuyauterie	Rohrleitung Kplt	Conjunto De Tubería	Tba Pacoma
6	339123X1	1	Bolt M8-20 Z5f	Boulon M8 X 20	Maschschraube M8	Perno	
7	385361X1	1	Washer M8 Hardened	Rondelle M8	Scheibe M8	Arandela	
8	835013M91	1	Connector 7/8 Jic	Raccord	Schraubanschluss	Conexión, Conj.	
9	#UNION	1	Union	Union	Union	Union	Ref. 8
10	835024M1	1	Ring O - Boa	Joint Torique	O Ring	Junta De Tipo O	
11	6102309M91	1	Hose-Bucket Rod-Std	Flexible Ass.	Schlauch Kplt	Flexible, Conj.	Brown
12	6107024M91	1	Hose-Bucket HD Std	Flexible Ass.	Schlauch Kplt	Flexible, Conj.	White
13	6111139M91	2	Tube Assy - Bkt 4.9m Boom	Ensemble Tube	Rohr Kpl	Conjunto De Tubería	Ec05/328
13	6101431M91	2	Tube-4.9 Boom Bucket	Tuyauterie	Rohrleitung Kplt	Conjunto De Tubería	Ec05/328
14	6102945M91	1	Hose-Bucket Rod-Brown	Flexible Ass.	Schlauch Kplt	Flexible, Conj.	Brown Ec05/328
14	6111143M91	1	Hose Assy - Bucket Rod (Brown C/Mount)	Ensemble Durit	Schlauch Kpl	Flexible, Conj.	Brown Ec05/328
15	6111144M91	1	Hose Assy- Bucket HD (White Centremount)	Ensemble Durit	Schlauch Kpl	Flexible, Conj.	White Ec05/328
15	6102942M91	1	Hose-Bucket Head-White	Flexible Ass.	Schlauch Kplt	Flexible, Conj.	White Ec05/328
16	6102128M1	1	Pad-Neoprene	Plaque Antidérapante	Zwischenlage	Cinta Antideslizante	
17	6102122M1	1	Clamp	Collier De Serrage	Klemme	Brida De Fijación	
18	6102130M1	1	Plate-Clamp	Plaque	Platte	Placa	
19	390972X1	2	Washer M8-17-1 Zwl	Rondelle M8	Scheibe - M8	Arandela	
20	3516075M1	2	Stud M8-65 Z5	Goujon	Stehbolzen	Espárrago	
21	394367X1	2	Nut, Hex. - Nyloc, M8	Ecrou Blocage M8	Flachmutter - M8	Tuerca De Retención	
22	6102126M1	2	Clamp	Collier De Serrage	Klemme	Brida De Fijación	
23	6102145M1	2	Pad-Neoprene	Plaque Antidérapante	Zwischenlage	Cinta Antideslizante	
24	6102124M1	2	Plate-Top	Plaque	Platte	Placa	
25	390972X1	4	Washer M8-17-1 Zwl	Rondelle M8	Scheibe - M8	Arandela	
26	6108049M1	4	Stud M8	Goujon	Stehbolzen	Espárrago	

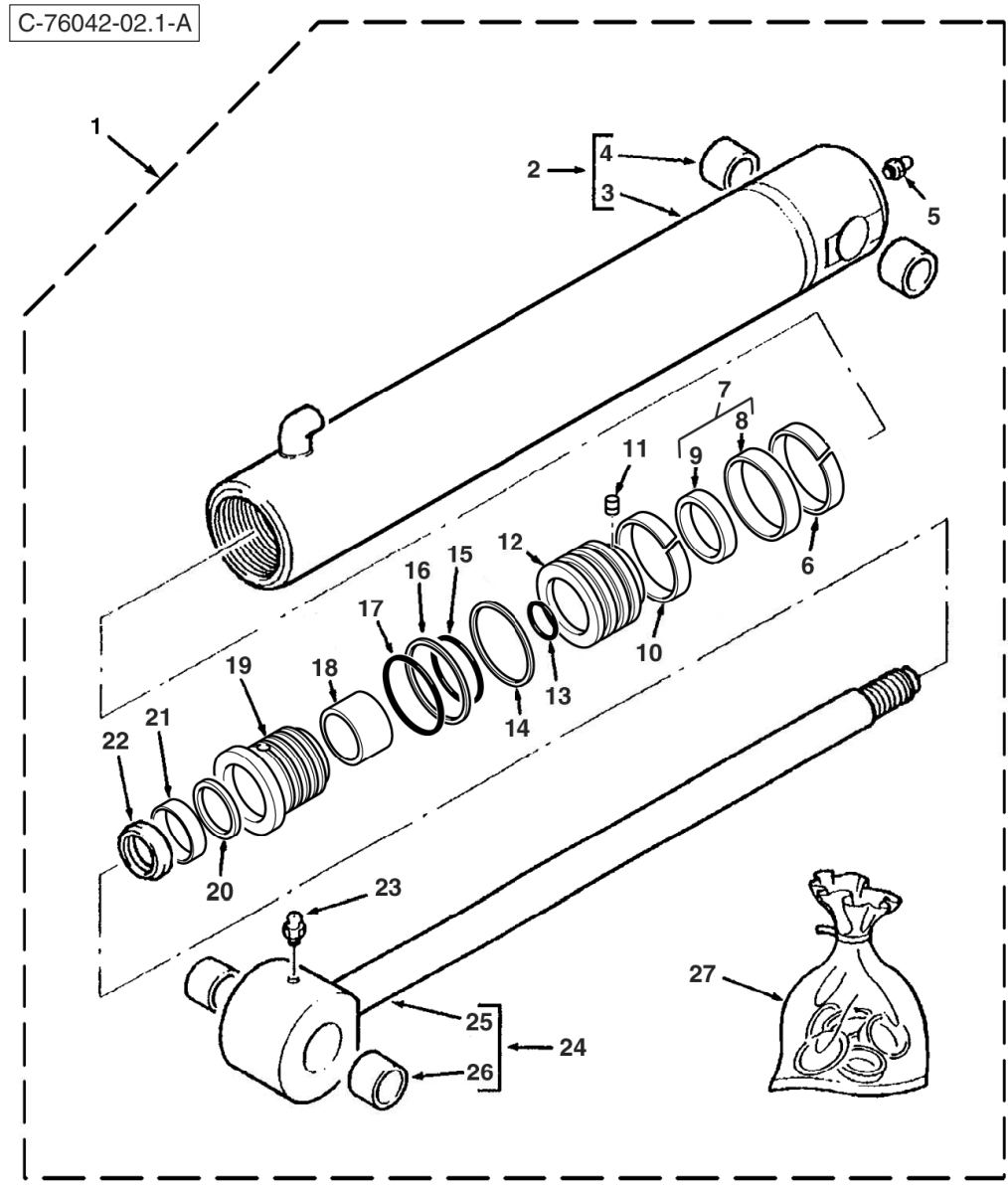


C-76042-01.1-B



Item	Part No.	Qty.	English	French	German	Spanish	Remarks
27	394367X1	4	Nut, Hex. - Nyloc, M8	Ecrou Blocage M8	Flachmutter - M8	Tuerca De Retención	
28	8000-1379	4	Tie Wrap (530 X 13mm)	Bride	Buegel	Banda	

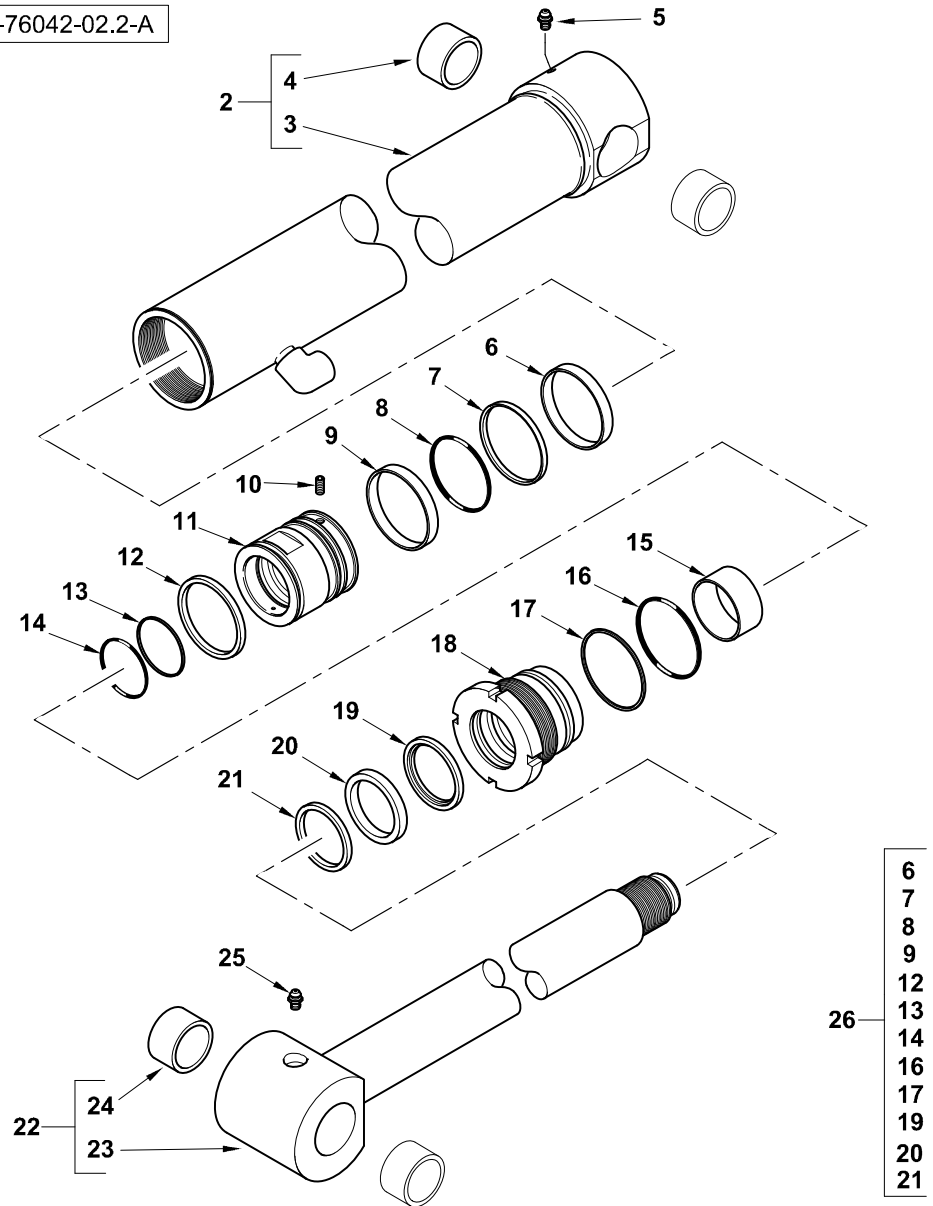




Item	Part No.	Qty.	English	French	German	Spanish	Remarks
1	5000126M91GY02	1	Cylinder Digger Bucket (Benford Grey)	L´Hie Hydraulique	Zylinder Hydr.	Gato, Conj.	Tba [76042c01.1 1]
2	5004008M91	1	Barrel Assy	Cylindre	Zylinder	Cilindro	
3	#TUBE, CYLINDER	1	Tube, Cylinder	Tube, Cylinder	Tube, Cylinder	Tube, Cylinder	Ref. 2
4	#BUSHING	1	Bushing	Douille	Busche	Boccola	
5	339608X1	1	Grease Nipple - M10 X 1 (Zinc)	Nipple De Graissage	Schmiernippel	Engrasador	
6	3485892M1	1	Guide Ring Piston	Bague D´Étanchéité	Dichtungsring	Anillo, Estanqueidad	
7	3485245M91	1	Seal Assy Piston	Joint Ass.	Dichtung Kplt	Junta, Conj.	
8	#SEAL	1	Seal	Joint Étanchéité	Dichtring	Retén	Ref. 7
9	#RING	1	Ring	Anneau	Ring	Aro	Ref. 7
10	3485892M1	1	Guide Ring Piston	Bague D´Étanchéité	Dichtungsring	Anillo, Estanqueidad	
11	3402928M1	1	Screw, Socket Head - Piston Locating	Vis Tête Hex	Zylinderschraube	Tornillo	
12	3623372M1	1	Piston	Piston	Kolben	Pistón	
13	359186X1	1	O-Ring	Joint Torique	O-Ring	Junta De Tipo O	
14	3623061M1	1	Ring Piston	Segment De Piston	Kolbenring	Segmento De Pistón	
15	359193X1	1	O-Ring	Joint Torique	O-Ring	Junta De Tipo O	
16	1606735M1	1	Ring Back-Up	Contre Bague	Stützring	ContraJunta	
17	3487207M1	1	O-Ring	Joint Torique	O-Ring	Junta De Tipo O	
18	3484615M1	1	Guide Ring	Anneau	Ring	Aro	
19	3623371M1	1	Gland - Bucket Cylinder	Presse Étoupe	Stopfbuchse	Cojinete	
20	3484055M1	1	Ring Buffer	Anneau	Ring	Aro	
21	3485185M1	1	Seal	Joint D´Arbre	Wellendichtring	Junta	
22	3487015M1	1	Wiper Ring	Anneau	Ring	Aro	
23	339608X1	1	Grease Nipple - M10 X 1 (Zinc)	Nipple De Graissage	Schmiernippel	Engrasador	
24	5004012M91	1	Piston Rod Assy - Nla	Tige De Vérin	Kolbenstange	Vástago Cilindro	
25	#ROD, PISTON	1	Rod, Piston	Rod, Piston	Rod, Piston	Rod, Piston	Ref. 24
26	#BUSHING	1	Bushing	Douille	Busche	Boccola	
27	3623373M91	1	Kit Seal	Jeu Etancheite	Dichtringsatz	Juego De Juntas	

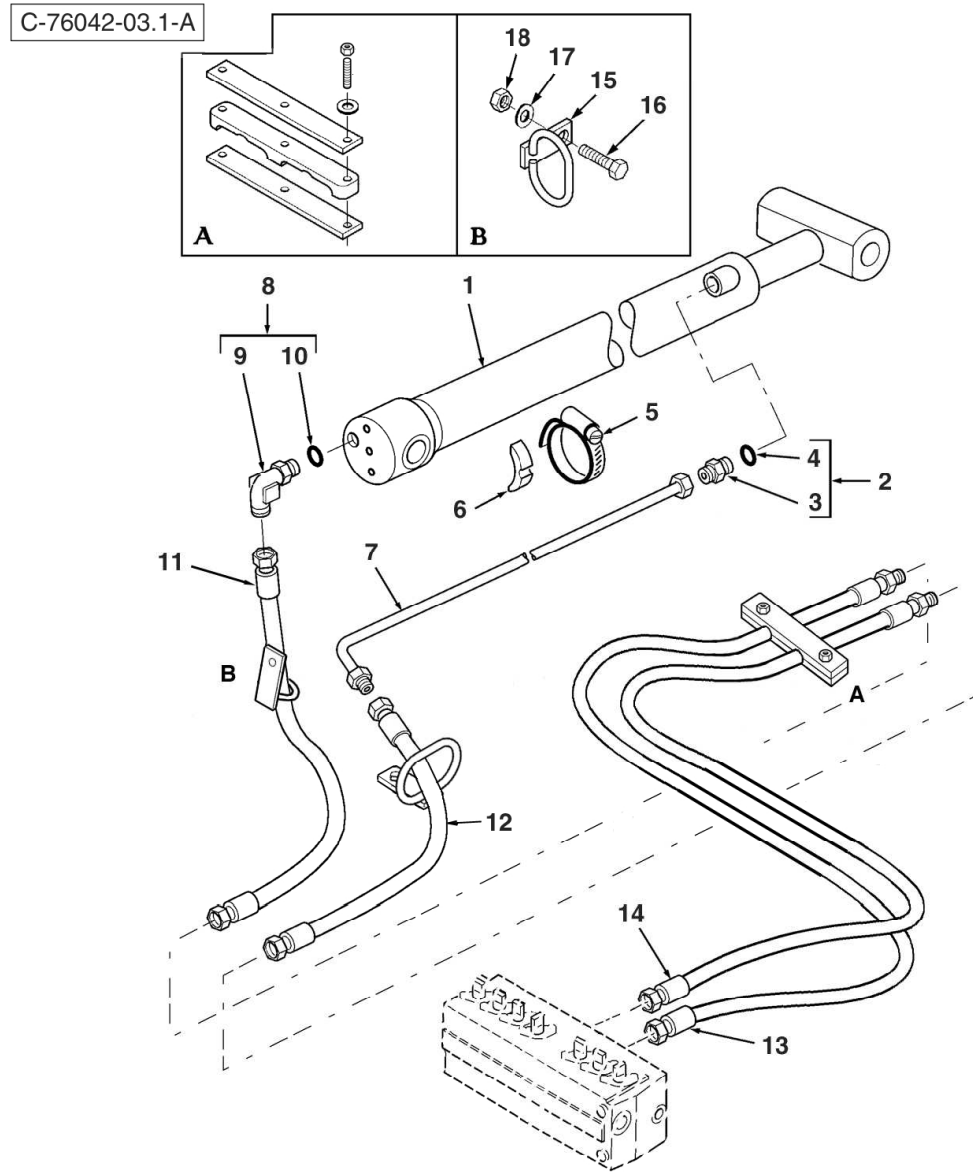


C-76042-02.2-A



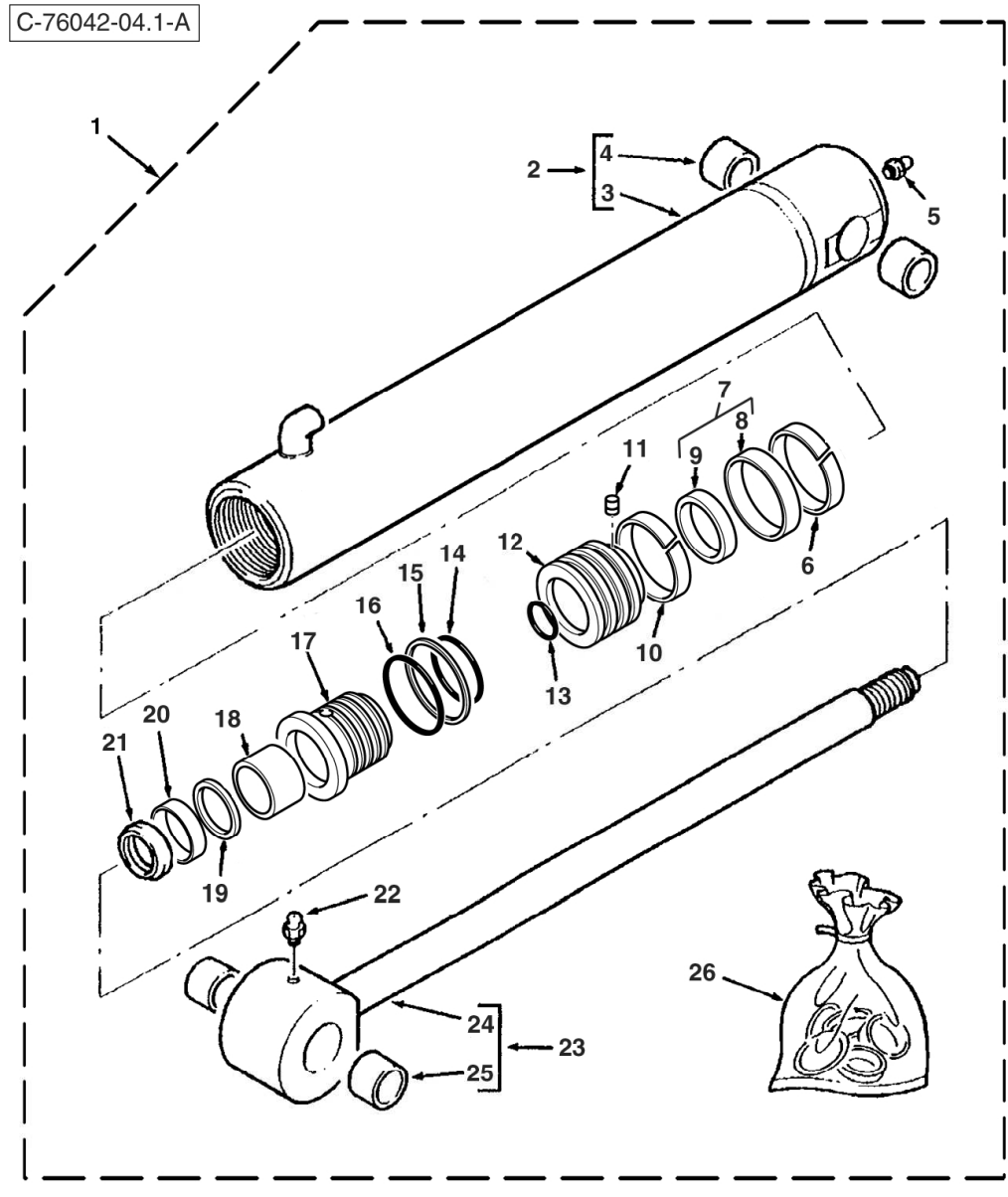
Item	Part No.	Qty.	English	French	German	Spanish	Remarks
1	6111070M91GY03	1	Cylinder- Digger Bucket	Cylindre	Zylinder	Gato, Conj.	Tba [76042c01.1 1]
2	6194629M91	1	Barrel - Cylinder	Corps Cylindre	Zylindergehäuse	Tubo	
3	#TUBE	1	Tube	Tube	Tube	Tube	Ref. 2
4	6194562M1	2	Bush	Douille	Büchse	Casquillo	
5	6194542M1	1	Nipple - Grease	Graisseur Coude	Nippel	Manguito, Engrasador	
6	6194634M1	1	Bearing - Piston	Coussinet	Lager	Teniendo - Pistón	
7	6194635M1	1	Seal - Piston	Joint Étanchéité	Dichtring	Junta	
8	6194636M1	1	O Ring (Std)	Joint Torique	O Ring	Junta De Tipo O	
9	6194634M1	1	Bearing - Piston	Coussinet	Lager	Teniendo - Pistón	
10	6194633M1	1	Set Screw - Hex Socket	Vis Tete Hex	Zylinderschraube	Tornillo De Ajuste	
11	6194631M1	1	Piston	Piston	Kolben	Pistón	
12	6194637M1	1	Ring - Piston	Segment Piston	Kolbenring	Segmento De Pistón	
13	6194625M1	1	Ring - Back Up	Contre Bague	Stutzring	ContraJunta	
14	6194624M1	1	O Ring (Std)	Joint Torique	O Ring	Junta De Tipo O	
15	6194541M1	1	Bush - Bimetal	Douille	Büchse	Juego De Anillos	
16	6194640M1	1	O Ring (Std)	Joint Torique	O Ring	Junta De Tipo O	
17	6194641M1	1	Ring - Back Up	Contre Bague	Stutzring	ContraJunta	
18	6194632M1	1	End Cover - Head	Couvercle	Deckel	Tapa	
19	6194638M1	1	Seal - Rod (Primary)	Joint Étanchéité	Dichtring	Junta	
20	6194639M1	1	Seal- Rod (Secondary)	Joint Étanchéité	Dichtring	Junta	
21	6194554M1	1	Wiper	Essuyeur	Wischer	Raspador, Escobilla	
22	6194630M91	1	Rod - Piston	Bielle De Piston	Pleuelstange	Rod - Pistón	
23	#ROD	1	Rod	Rod	Rod	Rod	Ref. 22
24	6194562M1	2	Bush	Douille	Büchse	Casquillo	
25	6194542M1	1	Nipple - Grease	Graisseur Coude	Nippel	Manguito, Engrasador	
26	6194642M91	0	Seal Kit	Jeu Etancheite	Dichtringsatz	Juego De Juntas	





Item	Part No.	Qty.	English	French	German	Spanish	Remarks
1	#CYLINDER ASSY	1	Cylinder Assy	Cylinder Assy	Cylinder Assy	Cylinder Assy	76042c04.1 1 76042c04.2 1
2	835013M91	1	Connector 7/8 Jic	Raccord	Schraubanschluss	Conexión, Conj.	
3	#UNION	1	Union	Union	Union	Union	Ref. 2
4	835024M1	1	Ring O - Boa	Joint Torique	O Ring	Junta De Tipo O	
5	3517733M1	1	Clamp Hose 130-150	Collier De Serrage	Schlauchbinder	Argolla De Cierre	
6	D142787	1	Saddle (See 142787d)	Selle	Sattel	Bloque De Caucho	
7	6111162M91	1	Tube Assembly - Dipper Cylinder	Tuyauterie	Rohrleitung Kplt	Conjunto De Tubería	Tba Wipro
7	6100976M92	1	Tube Assy. - Dipperstick Cylinder	Tuyauterie	Rohrleitung Kplt	Conjunto De Tubería	Tba Pacoma
8	6101624M91	1	Elbow 90deg-Long	Coude À 90°	Winkelstuck	Codo, 90°	
9	#ELBOW	1	Elbow	Elbow	Elbow	Elbow	Ref. 8
10	835024M1	1	Ring O - Boa	Joint Torique	O Ring	Junta De Tipo O	
11	6101738M91	1	Hose-Dipper Head	Flexible Ass.	Schlauch Kplt	Flexible, Conj.	Yellow
12	6101737M91	1	Hose-Dipper Rod	Flexible Ass.	Schlauch Kplt	Flexible, Conj.	Red
13	6102941M91	1	Hose-Dipper Head-Yellow	Flexible Ass.	Schlauch Kplt	Flexible, Conj.	Yellow
14	6102944M91	1	Hose-Dipper Rod	Flexible Ass.	Schlauch Kplt	Flexible, Conj.	Red
15	6101491M92	2	Hose Hoop Assy	Ensemble De Support	Haltevorrichtung Kpl.	Apoyadero, Conj.	
16	339761X1	2	Bolt M8-25 Z5f	Goupille	Bolzen M8 X 25	Tornillo	
17	390972X1	2	Washer M8-17-1 Zwl	Rondelle M8	Scheibe - M8	Arandela	
18	394367X1	2	Nut, Hex. - Nyloc, M8	Ecrou Blocage M8	Flachmutter - M8	Tuerca De Retención	

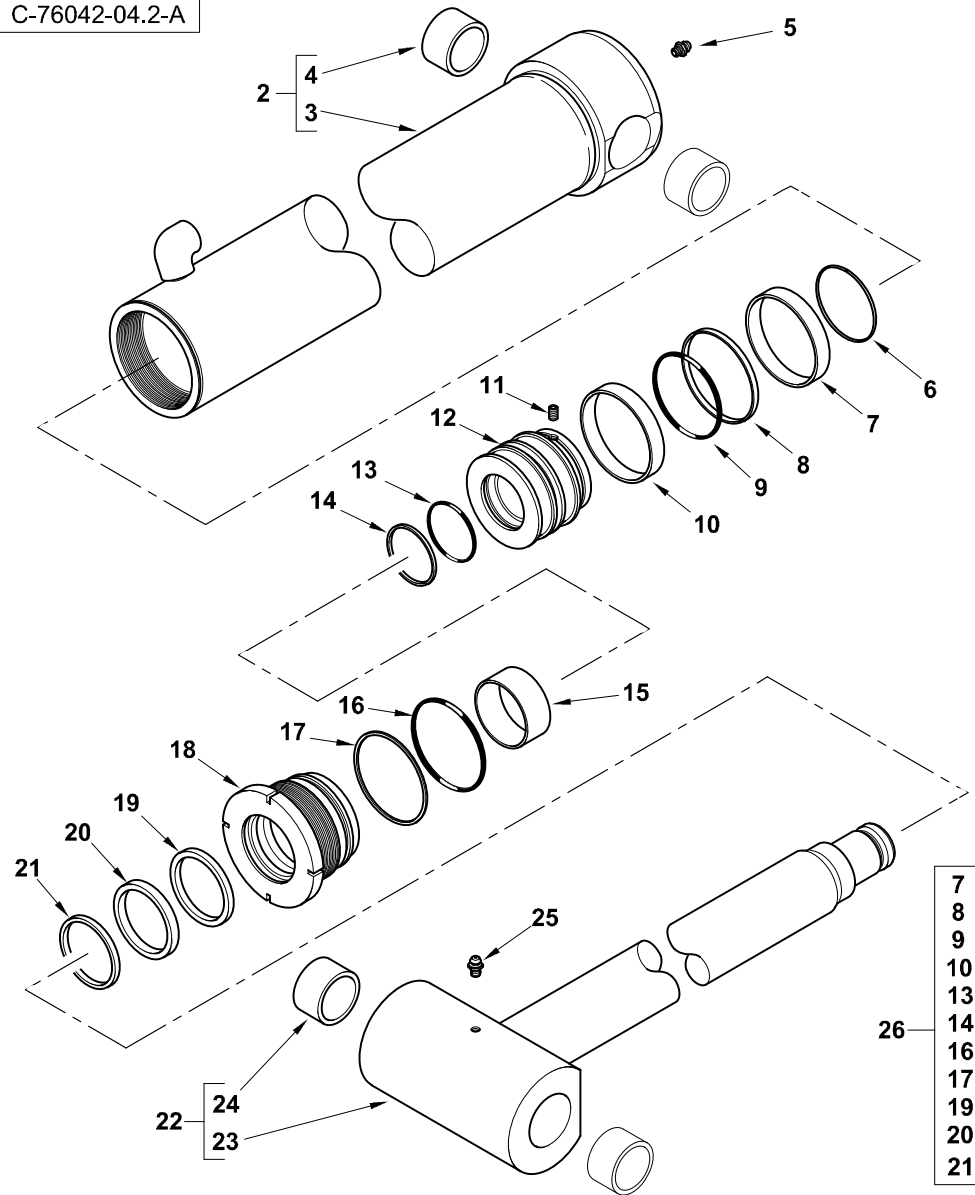




Item	Part No.	Qty.	English	French	German	Spanish	Remarks
1	5000124M91GY02	1	Cylinder Dipperstick (Benford Grey)	L´Hie Hydraulique	Zylinder Hydr.	Gato, Conj.	76042c03.1 1 [76042c03.1 1]
2	5003982M91	1	Barrel Assy. - Dipper Cylinder	Corps Cylindre	Zylindergehause	Cilindro	
3	#TUBE, CYLINDER	1	Tube, Cylinder	Tube, Cylindre	Tube, Cylinder	Tube, Cylinder	Ref. 2
4	3484843M1	1	Bush, Hydr. Cylinders	Douille	Buechse	Casquillo	
5	339608X1	1	Grease Nipple - M10 X 1 (Zinc)	Nipple De Graissage	Schmiernippel	Engrasador	
6	3485891M1	1	Guide Ring Piston	Anneau	Ring	Aro	
7	3485247M91	1	Seal Piston	Joint	Dichtung	Junta, Conj.	
8	#SEAL	1	Seal	Joint Étanchéité	Dichtring	Retén	Ref. 7
9	#RING	1	Ring	Anneau	Ring	Aro	Ref. 7
10	3485891M1	1	Guide Ring Piston	Anneau	Ring	Aro	
11	3402928M1	1	Screw, Socket Head - Piston Locating	Vis Tête Hex	Zylinderschraube	Tornillo	
12	5003989M1	1	Piston	Piston	Kolben	Pistón	
13	3007182X1	1	O-Ring	Joint Torique	O-Ring	Junta De Tipo O	
14	359196X1	1	O Ring	Joint Torique	O Ring	Junta De Tipo O	
15	378545X1	1	Ring - Backup	Contre Bague	Stutzring	Aro	
16	3487908M1	1	O Ring, Hydr. Cylinder	Joint Torique	O Ring	Junta De Tipo O	
17	5003988M1	1	Bearing Cylinder	Roulement	Lager	Cojinete	
18	3623193M1	1	Guide Ring	Anneau	Ring	Aro	
19	3443388M1	1	Ring - Back Up	Anneau	Ring	Aro	
20	3443472M1	1	Seal	Joint D´Arbre	Wellendichtring	Junta	
21	3403385M1	1	Wiper Ring	Joint De Racleur	Abstreifdichtung	Junta Raspador	
22	339608X1	1	Grease Nipple - M10 X 1 (Zinc)	Nipple De Graissage	Schmiernippel	Engrasador	
23	5003985M91	1	Piston Rod Assy	Tige De Vérin	Kolbenstange	Vástago Cilindro	
24	#ROD, PISTON	1	Rod, Piston	Rod, Piston	Rod, Piston	Rod, Piston	Ref. 23
25	3484843M1	1	Bush, Hydr. Cylinders	Douille	Buechse	Casquillo	
26	5004401M91	1	Kit Seal	Jeu Étanchéité	Dichtringsatz	Juego De Juntas	



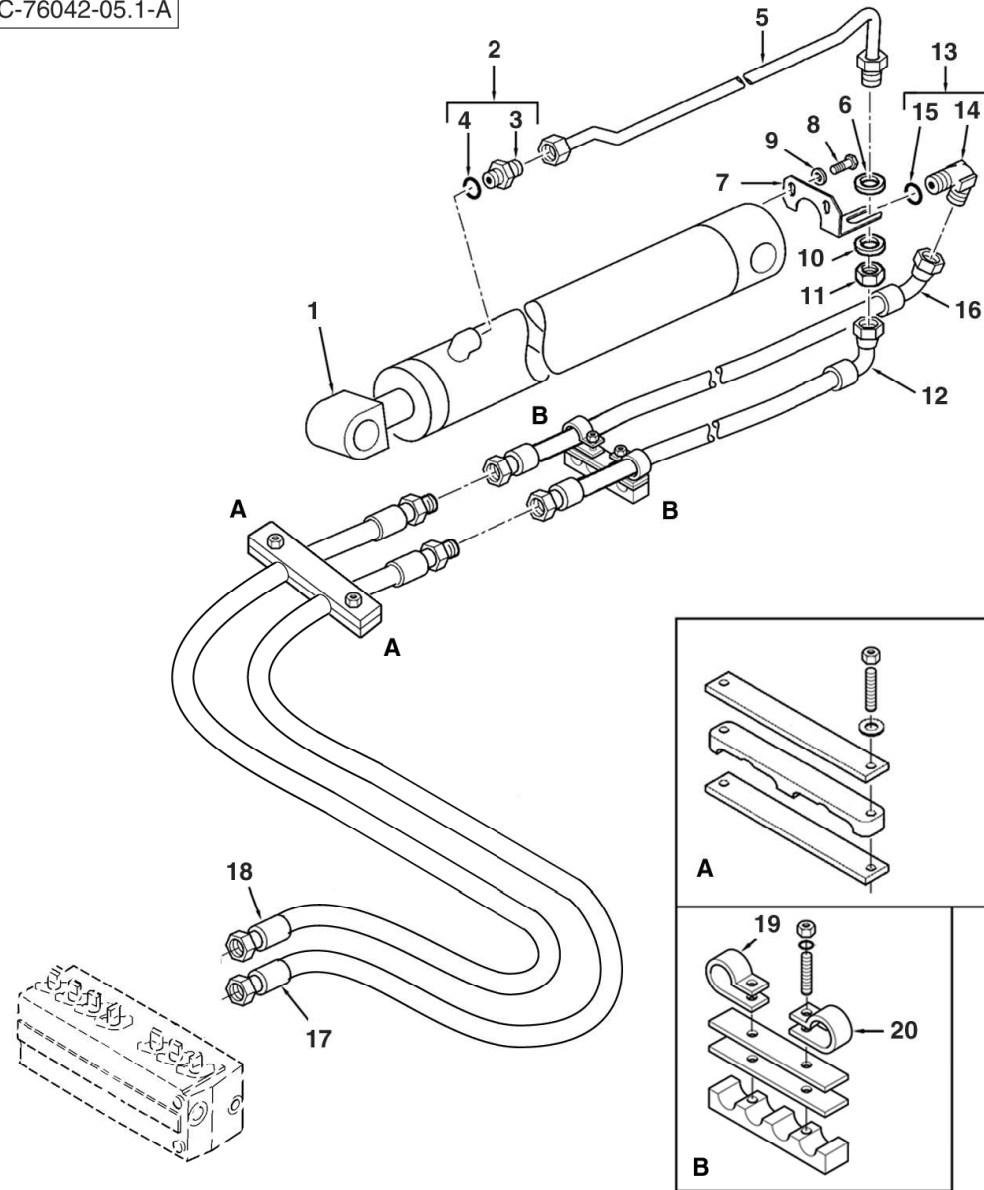
C-76042-04.2-A



Item	Part No.	Qty.	English	French	German	Spanish	Remarks
1	6111069M91GY03	1	Cylinder - Dipperstick	Cylindre	Zylinder	Gato, Conj.	Tba [76042c03.1 1]
2	6194615M91	1	Barrel - Cylinder	Corps Cylindre	Zylindergehäuse	Conjunto De Tubería	
3	#TUBE	1	Tube	Tube	Tube	Tube	Ref. 2
4	6194562M1	2	Bush	Douille	Büchse	Casquillo	
5	6194542M1	1	Nipple - Grease	Graisseur Coude	Nippel	Manguito, Engrasador	
6	6194620M1	1	Ring - Snap	Fermeoir	Sprengring	Anillo De Resorte	
7	6194621M1	1	Bearing - Piston	Coussinet	Lager	Teniendo - Pistón	
8	6194622M1	1	Seal - Piston	Joint Étanchéité	Dichtring	Junta	
9	6194623M1	1	O Ring (Std)	Joint Torique	O Ring	Junta De Tipo O	
10	6194621M1	1	Bearing - Piston	Coussinet	Lager	Teniendo - Pistón	
11	6194619M1	1	Set Screw	Vis	Schraube	Tornillo De Ajuste	
12	6194617M1	1	Piston	Piston	Kolben	Pistón	
13	6194624M1	1	O Ring (Std)	Joint Torique	O Ring	Junta De Tipo O	
14	6194625M1	1	Ring - Back Up	Contre Bague	Stutzring	ContraJunta	
15	6194565M1	1	Bush - Bimetal	Douille	Büchse	Juego De Anillos	
16	6194626M1	1	O Ring (Std)	Joint Torique	O Ring	Junta De Tipo O	
17	6194627M1	1	Ring - Back Up	Contre Bague	Stutzring	ContraJunta	
18	6194618M1	1	End Cover - Head	Couvercle	Deckel	Tapa	
19	6194575M1	1	Seal - Rod (Primary)	Joint Étanchéité	Dichtring	Junta	
20	6194576M1	1	Seal- Rod (Secondary)	Joint Étanchéité	Dichtring	Junta	
21	6194573M1	1	Wiper	Essuyeur	Wischer	Raspador, Escobilla	
22	6194616M91	1	Rod - Piston	Bielle De Piston	Pleuelstange	Rod - Pistón	
23	#ROD	1	Rod	Rod	Rod	Rod	Ref. 22
24	6194562M1	2	Bush	Douille	Büchse	Casquillo	
25	6194542M1	1	Nipple - Grease	Graisseur Coude	Nippel	Manguito, Engrasador	
26	6194628M91	0	Seal Kit	Jeu Etancheite	Dichtringsatz	Juego De Juntas	

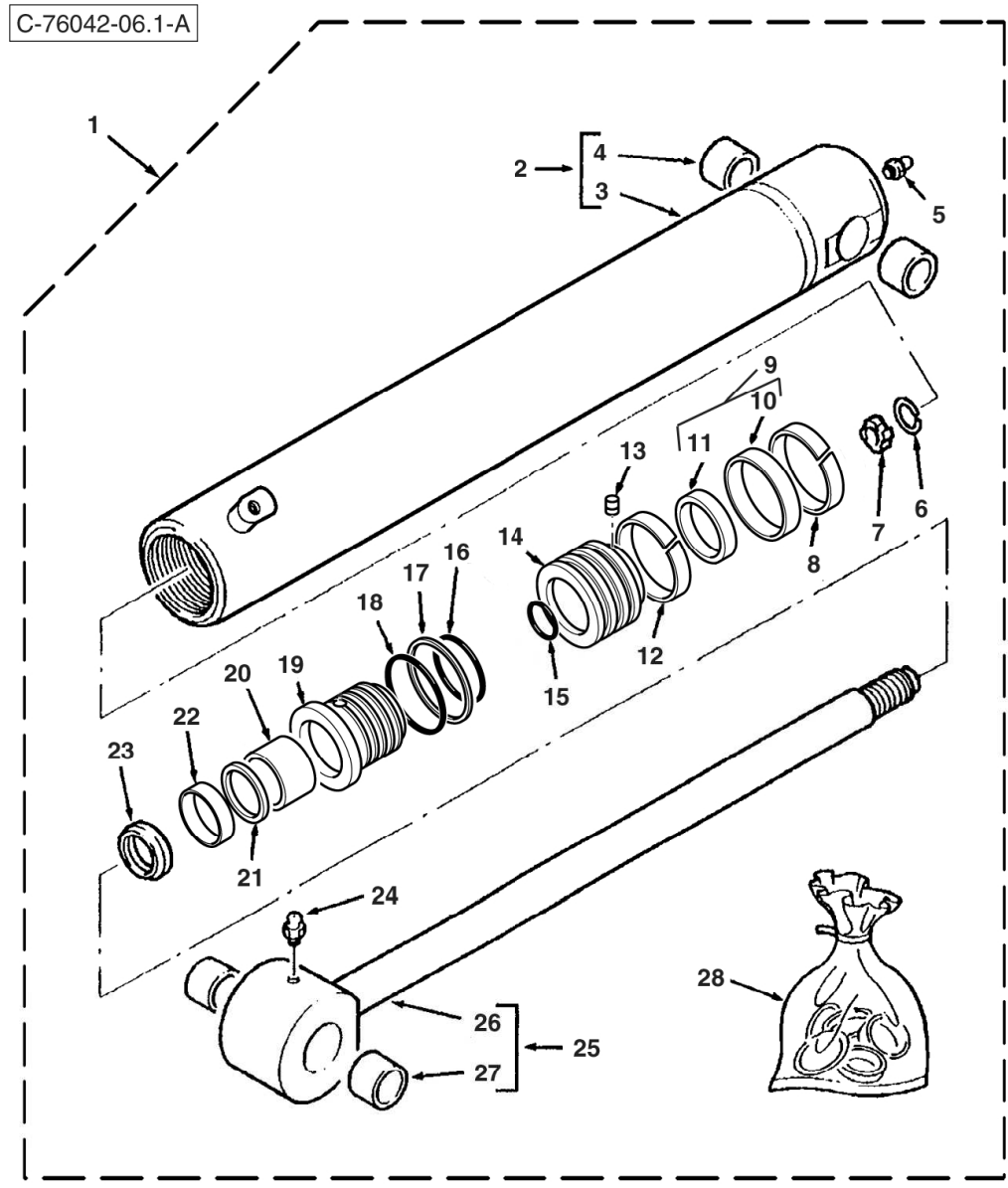


C-76042-05.1-A



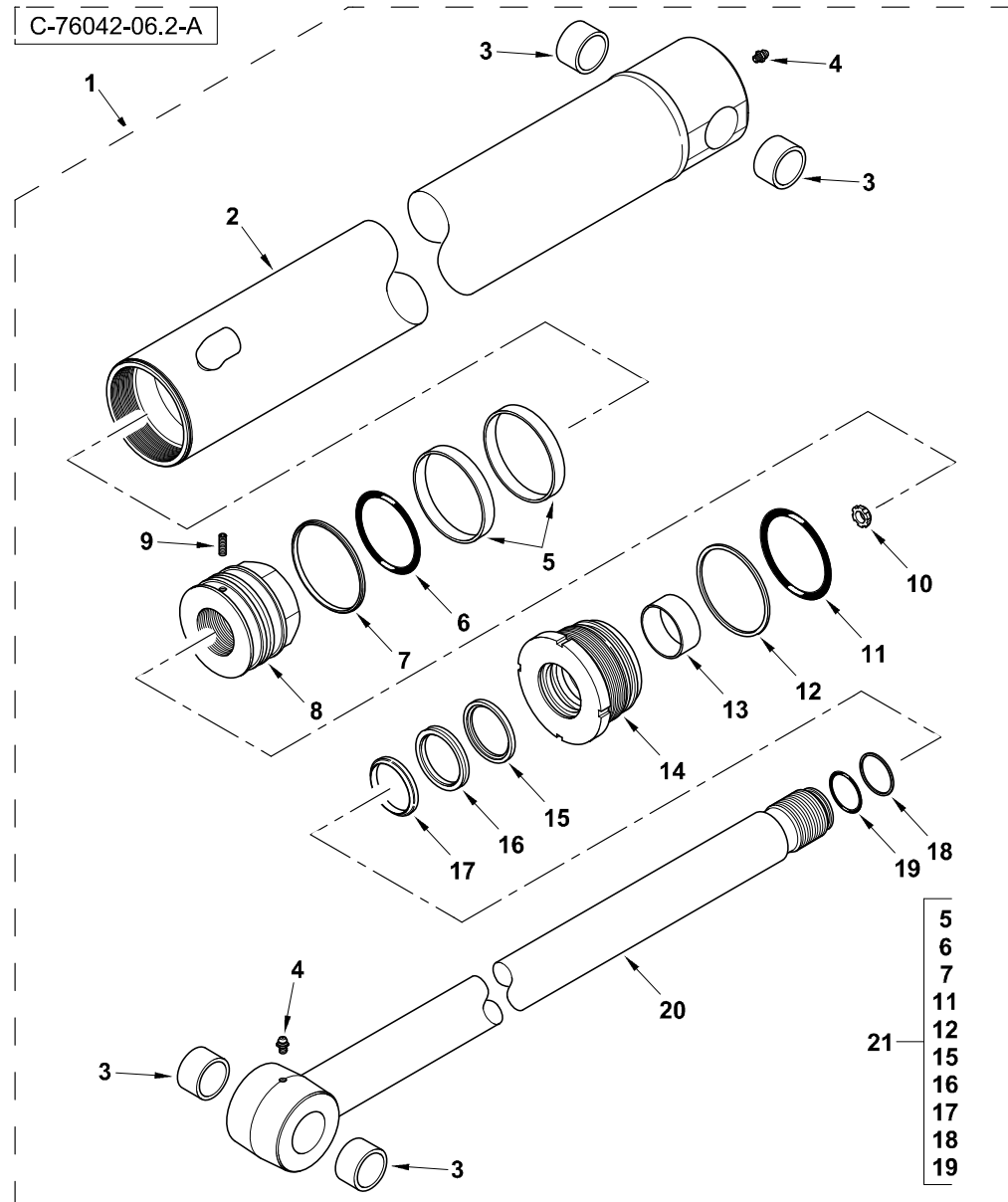
Item	Part No.	Qty.	English	French	German	Spanish	Remarks
1	6111079M91GY03	1	Cylinder Boom 4.9	Cylinder Boom 4.9	Cylinder Boom 4.9	Cylinder Boom 4.9	Wipro
1	5000123M91	1	Cylinder 4.9m Boom - High Spec.	L' Hie Hydraulique	Zylinder Hydr.	Gato, Conj.	Pacoma
2	835013M91	1	Connector 7/8 Jic	Raccord	Schraubanschluss	Conexión, Conj.	
3	#UNION	1	Union	Union	Union	Union	Ref. 2
4	835024M1	1	Ring O - Boa	Joint Torique	O Ring	Junta De Tipo O	
5	6111164M91	1	Tube Assy Boom Cylinder (4.9)	Tuyauterie	Rohrleitung Kpl.	Conjunto De Tubería	Wipro
5	6100993M91	1	Tube-Cylinder-Boom-4.9	Tuyauterie	Rohrleitung Kplt	Conjunto De Tubería	Pacoma
6	353763X1	1	Washer	Rondelle	Scheibe	Arandela	
7	6100883M1	1	Bracket-Cylinder-Boom	Patte Fixation	Halter	Pata De Fijación	
8	339228X1	2	Bolt, Hex. - M8 X 12 (Coarse)	Boulon M8 X 12	Maschschraube M8	Tornillo	
9	339374X1	2	Washer M8 -21-2 Z	Rondelle Frein - M8	Federring - M8	Arandela De Freno	
10	353763X1	1	Washer	Rondelle	Scheibe	Arandela	
11	355574X1	1	Nut, Hex. - 7/8" Unf, Lock	Ecrou 7/8" Unf	Mutter 7/8" Unf	Tuerca	
12	6101735M92	1	Hose-Boom Cyl Rod	Flexible Ass.	Schlauch Kplt	Flexible, Conj.	Orange
13	835007M91	1	Elbow 90 Degree Adjust	Coude 90°	Kniestück 90°	Codo, 90°	
14	#ELBOW	1	Elbow	Elbow	Elbow	Elbow	Ref. 13
15	835024M1	1	Ring O - Boa	Joint Torique	O Ring	Junta De Tipo O	
16	6101736M92	1	Hose, "Blue" - Boom Cylinder Feed	Flexible	Schlauch	Flexible, Conj.	Blue
17	6102943M91	1	Hose-Boom Rod-Orange	Flexible Ass.	Schlauch Kplt	Flexible, Conj.	Orange
18	6102940M91	1	Hose-Boom Head-Blue	Flexible Ass.	Schlauch Kplt	Flexible, Conj.	Blue
19	515-23270	1	Clip-Coated P	Clip	Klips	Clip	
20	515-23206	1	P Clip Bsr081hs	Bride Pour Tutaux	Schlauchschelle	Abrazadera De Manguera	





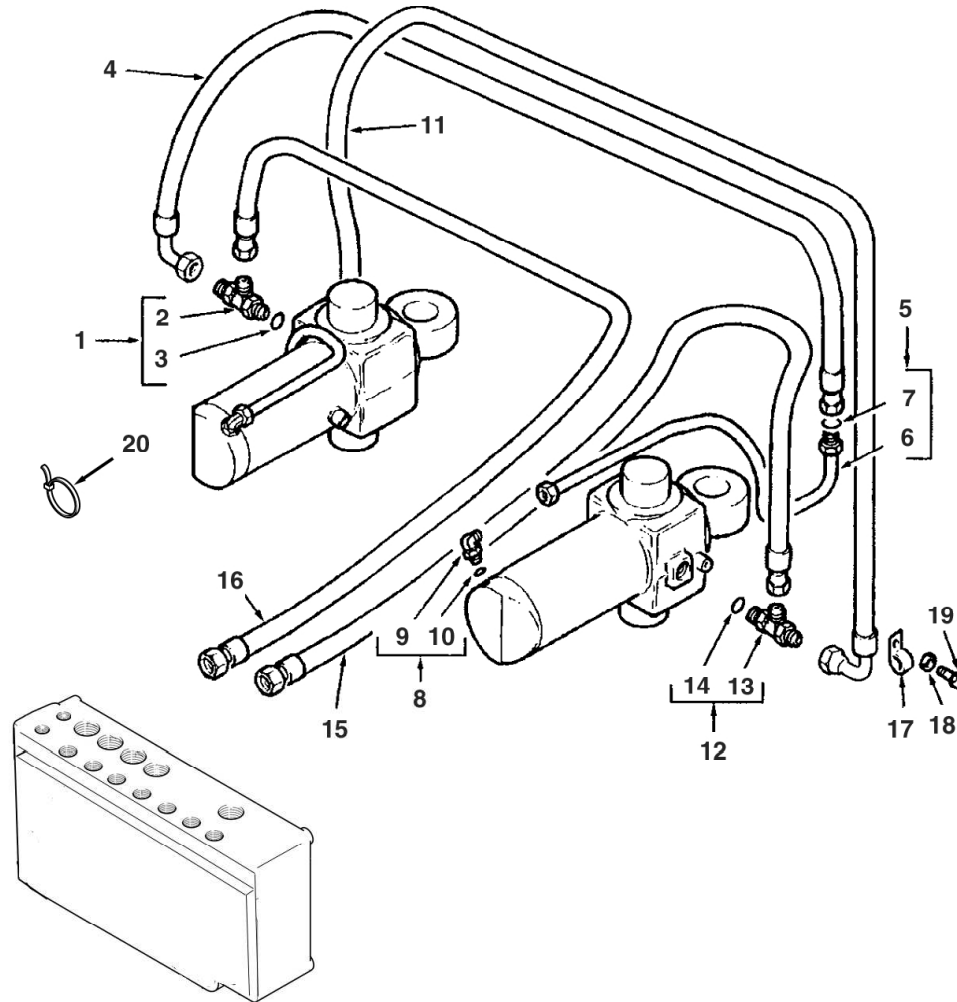
Item	Part No.	Qty.	English	French	German	Spanish	Remarks
1	5000123M91	1	Cylinder 4.9m Boom - High Spec.	L´Hie Hydraulique	Zylinder Hydr.	Gato, Conj.	76042c05.1 1
2	5003993M91	1	Barrel Assy	Cylindre	Zylinder	Cilindro	
3	#TUBE, CYLINDER	1	Tube, Cylinder	Tube, Cylinder	Tube, Cylinder	Tube, Cylinder	Ref. 2
4	#BUSHING	2	Bushing	Douille	Busche	Boccola	
5	339608X1	1	Grease Nipple - M10 X 1 (Zinc)	Nipple De Graissage	Schmiernippel	Engrasador	
6	1609899M1	1	Snap Ring	Anneau D´Arrêt	Sprengring	Anillo De Resorte	
7	1609328M1	1	Ring Cushioning	Anneau	Ring	Aro	
8	3403852M1	1	Ring, Guide - Piston	Anneau	Ring	Aro	
9	3485213M91	1	Seal Piston	Joint	Dichtung	Junta, Conj.	
10	#SEAL	1	Seal	Joint Étanchéité	Dichtring	Retén	Ref. 9
11	#SEAL	1	Seal	Joint Étanchéité	Dichtring	Retén	Ref. 9
12	3403852M1	1	Ring, Guide - Piston	Anneau	Ring	Aro	
13	3402928M1	1	Screw, Socket Head - Piston Locating	Vis Tête Hex	Zylinderschraube	Tornillo	
14	3484189M1	1	Piston	Piston	Kolben	Pistón	
15	3007182X1	1	O-Ring	Joint Torique	O-Ring	Junta De Tipo O	
16	359203X1	1	O-Ring	Joint Torique	O-Ring	Junta De Tipo O	
17	367120X1	1	Back-Up Ring	Contre Bague	Stützring	Aro	
18	3487909M1	1	O-Ring	Joint Torique	O-Ring	Junta De Tipo O	
19	3623202M1	1	Bearing	Roulement	Lager	Cojinete	
20	3623193M1	1	Guide Ring	Anneau	Ring	Aro	
21	3443388M1	1	Ring - Back Up	Anneau	Ring	Aro	
22	3443472M1	1	Seal	Joint D´Arbre	Wellendichtring	Junta	
23	3403385M1	1	Wiper Ring	Joint De Racleur	Abstreifdichtung	Junta Raspador	
24	339608X1	1	Grease Nipple - M10 X 1 (Zinc)	Nipple De Graissage	Schmiernippel	Engrasador	
25	3441722M91	1	Piston Rod Assy	Tige De Vérin	Kolbenstange	Vástago Cilindro	
26	#ROD, PISTON	1	Rod, Piston	Rod, Piston	Rod, Piston	Rod, Piston	Ref. 25
27	3484843M1	1	Bush, Hydr. Cylinders	Douille	Buechse	Casquillo	
28	3623589M91	1	Kit, Seal - Hydraulic Cylinder	Jeu Etancheite	Dichtringsatz	Juego De Juntas	





Item	Part No.	Qty.	English	French	German	Spanish	Remarks
1	6111079M91GY03	1	Cylinder Boom 4.9	Cylinder Boom 4.9	Cylinder Boom 4.9	Cylinder Boom 4.9	
2	6195264M91GY03	1	Tube - S/A (Terex Grey)	Tube - S/A (Terex Grey)	Tube - S/A (Terex Grey)	Tube - S/A (Terex Grey)	
3	6195253M1	4	Bush	Douille	Buchse	Casquillo	
4	6194542M1	2	Nipple - Grease	Graisseur Coude	Nippel	Manguito, Engrasador	
5	6195259M1	2	Bearing - Piston	Bearing - Piston	Bearing - Piston	Bearing - Piston	
6	6195258M1	1	O - Ring	O - Ring	O - Ring	O - Ring	
7	6195257M1	1	Seal - Piston	Seal - Piston	Seal - Piston	Seal - Piston	
8	6195251M1	1	Piston	Piston	Piston	Piston	
9	6195236M1	1	Set Screw - Hex Socket	Set Screw - Hex Socket	Set Screw - Hex Socket	Set Screw - Hex Socket	
10	6195235M1	1	Ring - Cushion	Ring - Cushion	Ring - Cushion	Ring - Cushion	
11	6195260M1	1	O - Ring	O - Ring	O - Ring	O - Ring	
12	6195261M1	1	Ring - Back Up	Ring - Back Up	Ring - Back Up	Ring - Back Up	
13	6195256M1	1	Bush - Bimetal	Bush - Bimetal	Bush - Bimetal	Bush - Bimetal	
14	6195252M1	1	Cover - H.E.	Cover - H.E.	Cover - H.E.	Cover - H.E.	
15	6194575M1	1	Seal - Rod (Primary)	Joint Étanchéité	Dichtring	Junta	
16	6195262M1	1	Seal - Rod (Secondary)	Seal - Rod (Secondary)	Seal - Rod (Secondary)	Seal - Rod (Secondary)	
17	6194573M1	1	Wiper	Essuyeur	Wischer	Raspador, Escobilla	
18	6194570M1	1	Ring - Back Up	Contre Bague	Stutzring	Contra junta	
19	6195247M1	1	O - Ring	O - Ring	O - Ring	O - Ring	
20	6195265M91	1	Piston Rod - S/A	Piston Rod - S/A	Piston Rod - S/A	Piston Rod - S/A	
21	6195263M91	1	Seal Kit	Jeu Etancheite	Dichtringsatz	Juego Retenes	

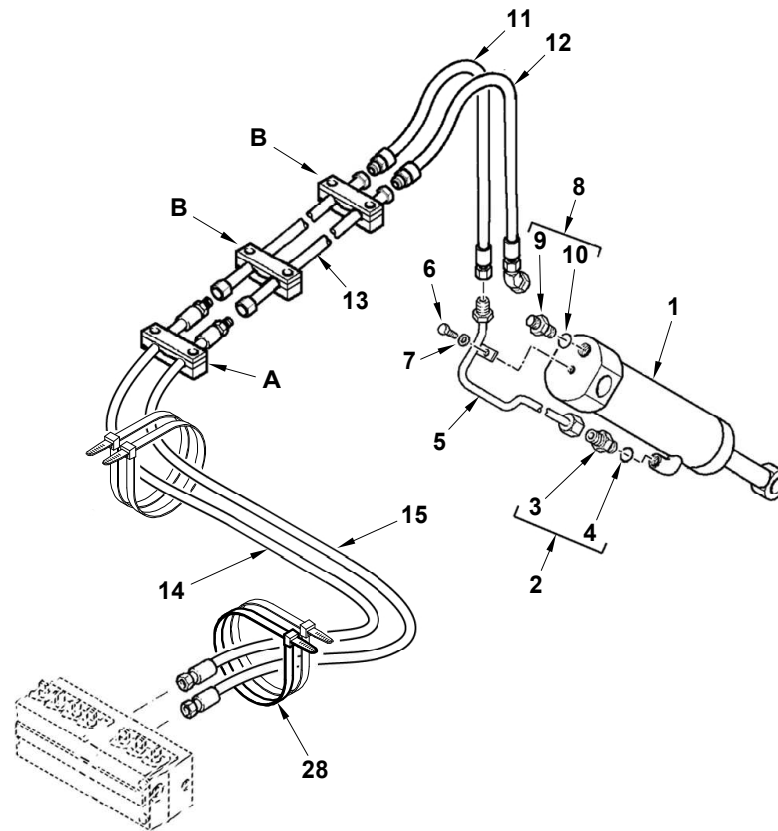
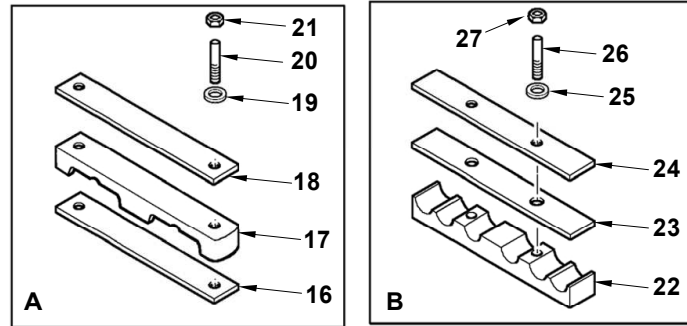
C-76042-07.1-A



Item	Part No.	Qty.	English	French	German	Spanish	Remarks
1	358728X91	1	Tee	Te	T-Stück	Te	
2	#TEE	1	Tee	Tee	Tee	Tee	Ref. 1
3	831497M1	1	O-Ring	Joint Torique	O-Ring	Junta De Tipo O	
4	6100716M91	1	Hose Slew Trsfr	Flexible Ass.	Schlauch Kplt	Flexible, Conj.	
5	6111174M92	1	Tube Assy Slew	Ensemble Tube	Rohr Kpl	Conj. De Tubo	LH Wipro
5	6100589M91	1	Tube Slew Trsf RH	Tuyauterie	Rohrleitung Kplt	Conjunto De Tubería	Pacoma
5	6100587M91	1	Tube Slew Trsf LH	Tuyauterie	Rohrleitung Kplt	Conjunto De Tubería	Pacoma
5	6111175M92	1	Tube Assy Slew	Ensemble Tube	Rohr Kpl	Conj.De Tubo	RH Wipro
6	#TUBE	1	Tube	Tube	Tube	Tube	Ref. 5
7	394923X1	1	O Ring	Joint Torique	O Ring	Junta De Tipo O	
8	357197X91	2	Elbow & O Ring	Coude	Kniestück, 90°	Codo, 90°	
9	#ELBOW	1	Elbow	Elbow	Elbow	Elbow	Ref. 8
10	831452M1	1	O Ring (Pack Of 10)	Joint Torique	O Ring	Junta De Tipo O	
11	6100716M91	1	Hose Slew Trsfr	Flexible Ass.	Schlauch Kplt	Flexible, Conj.	
12	358728X91	1	Tee	Te	T-Stück	Te	
13	#TEE	1	Tee	Tee	Tee	Tee	Ref. 12
14	831497M1	1	O-Ring	Joint Torique	O-Ring	Junta De Tipo O	
15	6100715M92	1	Hose-Digger-Green	Flexible Ass.	Schlauch Kplt	Flexible, Conj.	Purple
16	6101866M93	1	Hose-Digger-Green	Flexible Ass.	Schlauch Kplt	Flexible, Conj.	Green
17	3517114M2	2	P - Clip	Collier De Fixation	Befestigungsschelle	Argolla De Fijación	
18	385361X1	2	Washer M8 Hardened	Rondelle M8	Scheibe M8	Arandela	
19	339228X1	2	Bolt, Hex. - M8 X 12 (Coarse)	Boulon M8 X 12	Maschschraube M8	Tornillo	
20	1862425M1	1	Tie 385mm T50I	Attache Cable	Kabelbinder	Enlace De Cable	



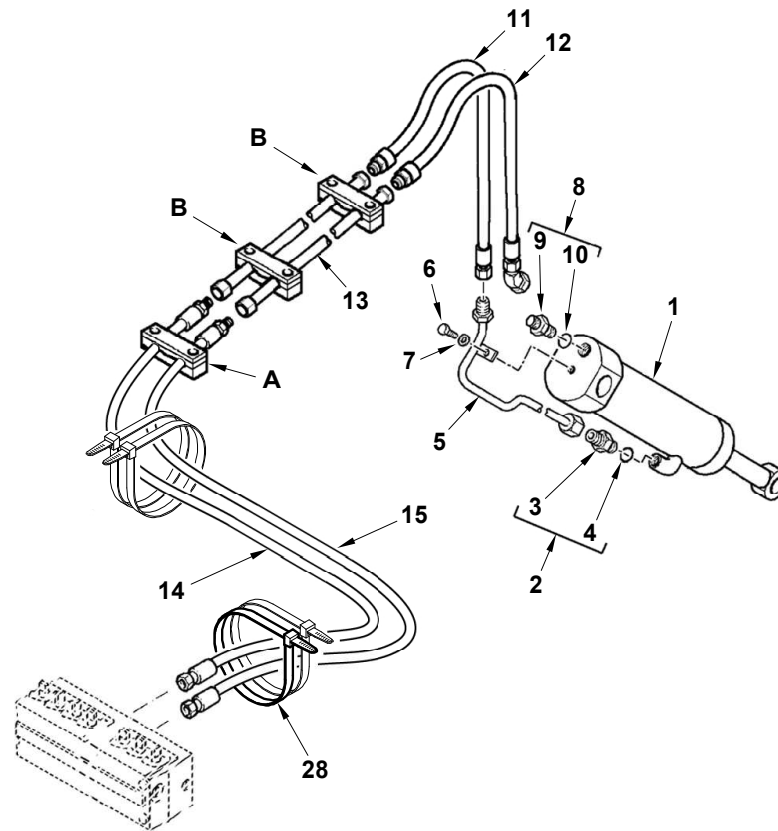
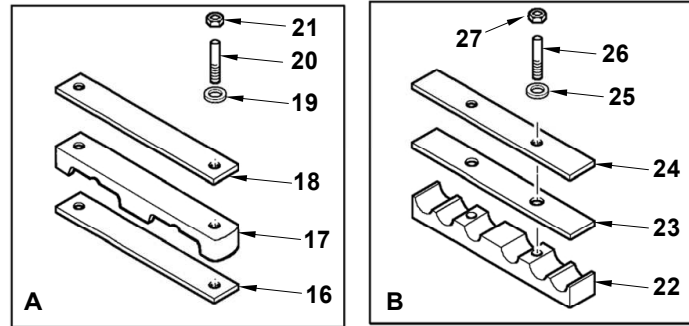
C-76043-01.1-B



Item	Part No.	Qty.	English	French	German	Spanish	Remarks
1	#CYLINDER ASSY	1	Cylinder Assy	Cylinder Assy	Cylinder Assy	Cylinder Assy	76043c02.1 1 76043c02.2 1
2	835013M91	1	Connector 7/8 Jic	Raccord	Schraubanschluss	Conexión, Conj.	
3	#UNION	1	Union	Union	Union	Union	Ref. 2
4	835024M1	1	Ring O - Boa	Joint Torique	O Ring	Junta De Tipo O	
5	6101540M91	1	Tube Assy Bucket	Tuyauterie	Rohrleitung Kplt	Conjunto De Tubería	Tba Pacoma
5	6111161M91	1	Tube Assembly - Digger Bucket Cylinder	Tuyauterie	Rohrleitung Kplt	Conjunto De Tubería	Tba Wipro
6	339123X1	1	Bolt M8-20 Z5f	Boulon M8 X 20	Maschschraube M8	Perno	
7	385361X1	1	Washer M8 Hardened	Rondelle M8	Scheibe M8	Arandela	
8	835010M91	1	Elbow 45 Adj 7/8unf	Coude 135°	Winkelstück	Codo, 45°	
9	#ELBOW	1	Elbow	Elbow	Elbow	Elbow	Ref. 8
10	835024M1	1	Ring O - Boa	Joint Torique	O Ring	Junta De Tipo O	
11	#HOSE ASSY	1	Hose Assy	Hose Assy	Hose Assy	Hose Assy	Brown
12	#HOSE ASSY	1	Hose Assy	Hose Assy	Hose Assy	Hose Assy	White
13	6101431M91	2	Tube-4.9 Boom Bucket	Tuyauterie	Rohrleitung Kplt	Conjunto De Tubería	Ec05/328
13	6111139M91	2	Tube Assy - Bkt 4.9m Boom	Ensemble Tube	Rohr Kpl	Conjunto De Tubería	Ec05/328
14	6111143M91	1	Hose Assy - Bucket Rod (Brown C/Mount)	Ensemble Durit	Schlauch Kpl	Flexible, Conj.	Brown Ec05/328
14	6102945M91	1	Hose-Bucket Rod-Brown	Flexible Ass.	Schlauch Kplt	Flexible, Conj.	Brown Ec05/328
15	6111144M91	1	Hose Assy- Bucket HD (White Centremount)	Ensemble Durit	Schlauch Kpl	Flexible, Conj.	White Ec05/328
15	6102942M91	1	Hose-Bucket Head-White	Flexible Ass.	Schlauch Kplt	Flexible, Conj.	White Ec05/328
16	6102128M1	1	Pad-Neoprene	Plaque Antidérapante	Zwischenlage	Cinta Antideslizante	
17	6102122M1	1	Clamp	Collier De Serrage	Klemme	Brida De Fijación	
18	6102130M1	1	Plate-Clamp	Plaque	Platte	Placa	
19	390972X1	2	Washer M8-17-1 Zwel	Rondelle M8	Scheibe - M8	Arandela	
20	3516075M1	2	Stud M8-65 Z5	Goujon	Stehbolzen	Espárrago	
21	394367X1	2	Nut, Hex. - Nyloc, M8	Ecrou Blocage M8	Flachmutter - M8	Tuerca De Retención	
22	6102126M1	2	Clamp	Collier De Serrage	Klemme	Brida De Fijación	
23	6102145M1	2	Pad-Neoprene	Plaque Antidérapante	Zwischenlage	Cinta Antideslizante	
24	6102124M1	2	Plate-Top	Plaque	Platte	Placa	
25	390972X1	4	Washer M8-17-1 Zwel	Rondelle M8	Scheibe - M8	Arandela	
26	6108049M1	4	Stud M8	Goujon	Stehbolzen	Espárrago	

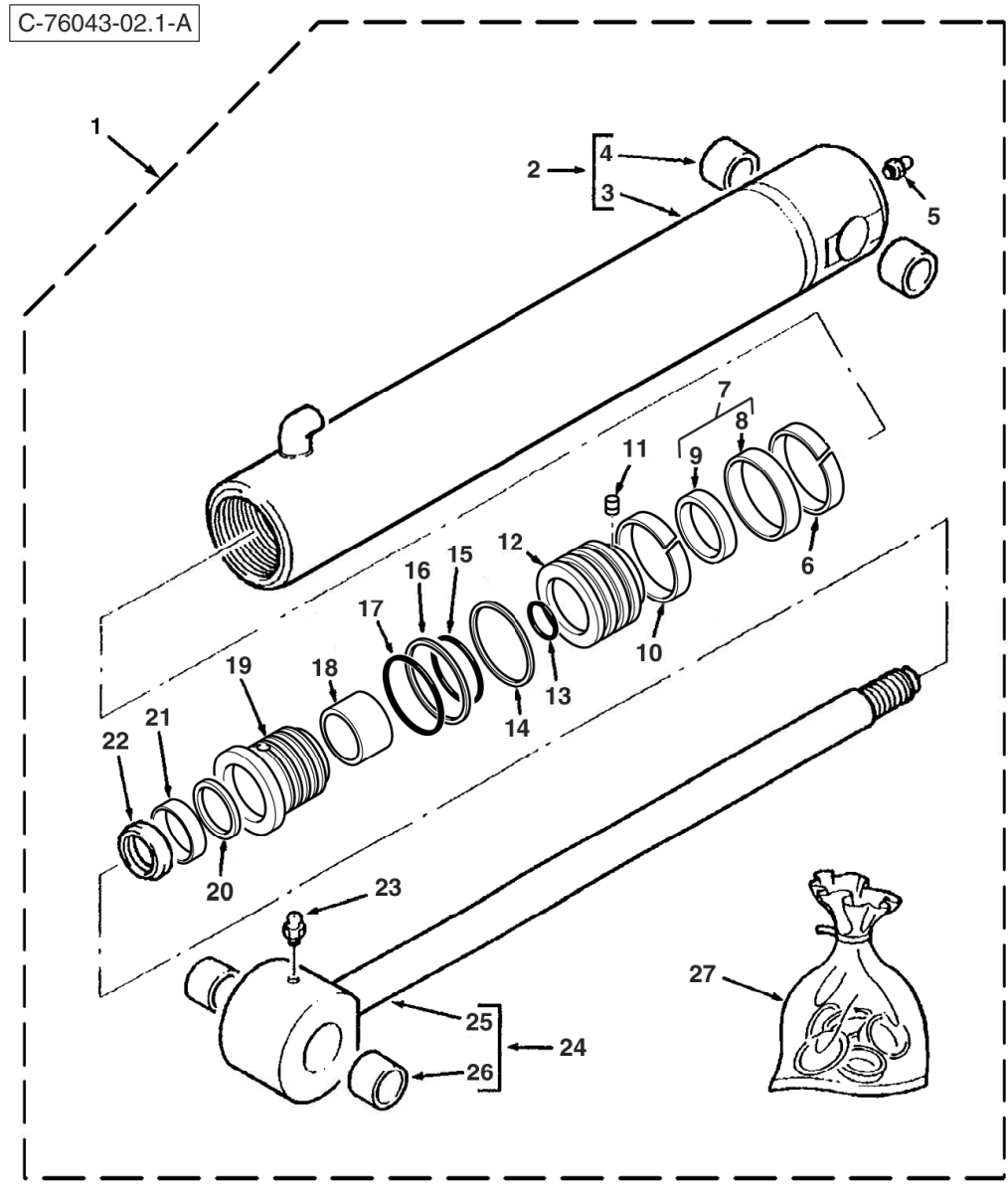


C-76043-01.1-B



Item	Part No.	Qty.	English	French	German	Spanish	Remarks
27	394367X1	4	Nut, Hex. - Nyloc, M8	Ecrou Blocage M8	Flachmutter - M8	Tuerca De Retención	
28	8000-1379	4	Tie Wrap (530 X 13mm)	Bride	Buegel	Banda	

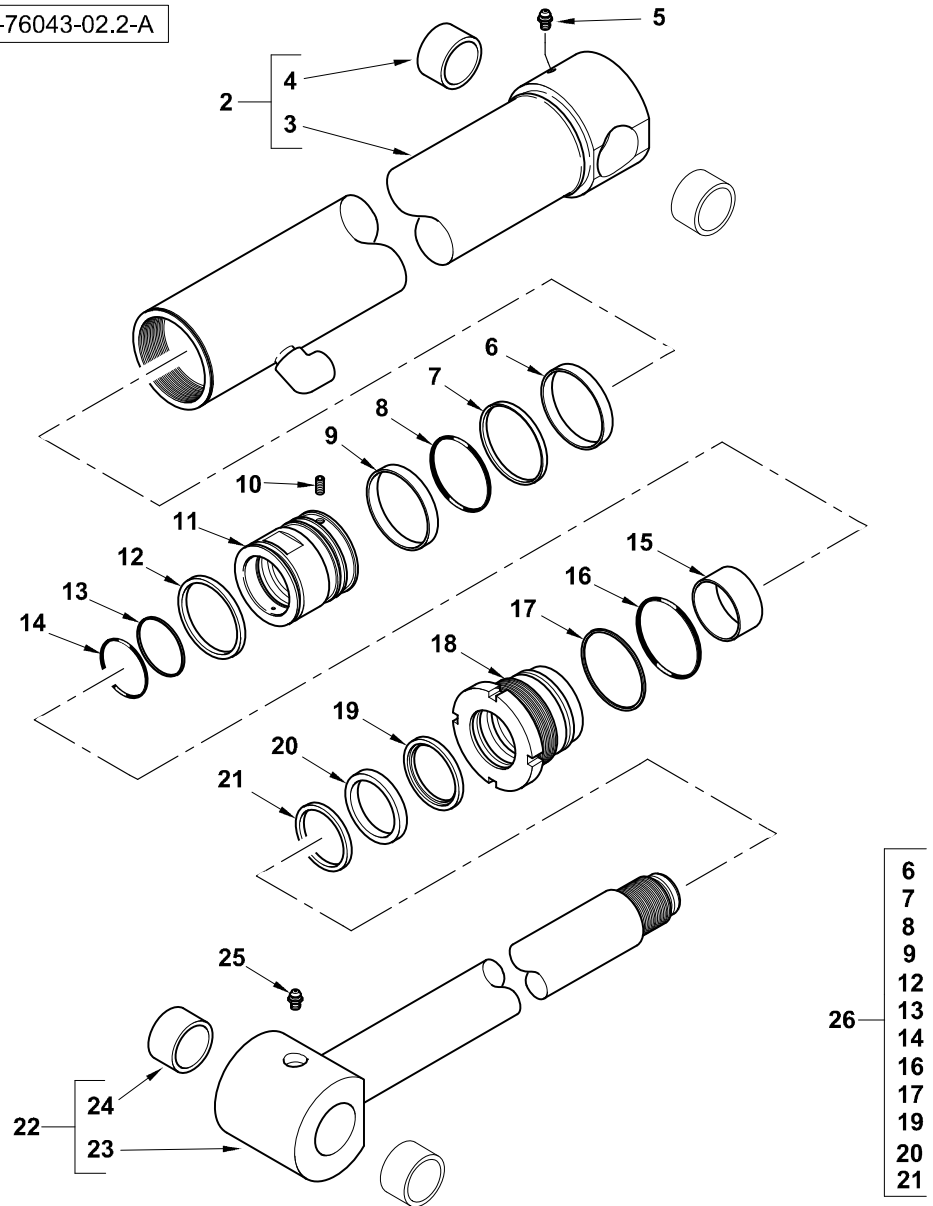




Item	Part No.	Qty.	English	French	German	Spanish	Remarks
1	5000126M91GY02	1	Cylinder Digger Bucket (Benford Grey)	L´Hie Hydraulique	Zylinder Hydr.	Gato, Conj.	Tba [76043c01.1 1]
2	5004008M91	1	Barrel Assy	Cylindre	Zylinder	Cilindro	
3	#TUBE, CYLINDER	1	Tube, Cylinder	Tube, Cylinder	Tube, Cylinder	Tube, Cylinder	Ref. 2
4	#BUSHING	1	Bushing	Douille	Busche	Boccola	
5	339608X1	1	Grease Nipple - M10 X 1 (Zinc)	Nipple De Graissage	Schmiernippel	Engrasador	
6	3485892M1	1	Guide Ring Piston	Bague D´Étanchéité	Dichtungsring	Anillo, Estanqueidad	
7	3485245M91	1	Seal Assy Piston	Joint Ass.	Dichtung Kplt	Junta, Conj.	
8	#SEAL	1	Seal	Joint Étanchéité	Dichtring	Retén	Ref. 7
9	#RING	1	Ring	Anneau	Ring	Aro	Ref. 7
10	3485892M1	1	Guide Ring Piston	Bague D´Étanchéité	Dichtungsring	Anillo, Estanqueidad	
11	3402928M1	1	Screw, Socket Head - Piston Locating	Vis Tête Hex	Zylinderschraube	Tornillo	
12	3623372M1	1	Piston	Piston	Kolben	Pistón	
13	359186X1	1	O-Ring	Joint Torique	O-Ring	Junta De Tipo O	
14	3623061M1	1	Ring Piston	Segment De Piston	Kolbenring	Segmento De Pistón	
15	359193X1	1	O-Ring	Joint Torique	O-Ring	Junta De Tipo O	
16	1606735M1	1	Ring Back-Up	Contre Bague	Stützring	ContraJunta	
17	3487207M1	1	O-Ring	Joint Torique	O-Ring	Junta De Tipo O	
18	3484615M1	1	Guide Ring	Anneau	Ring	Aro	
19	3623371M1	1	Gland - Bucket Cylinder	Presse Étoupe	Stopfbuchse	Cojinete	
20	3484055M1	1	Ring Buffer	Anneau	Ring	Aro	
21	3485185M1	1	Seal	Joint D´Arbre	Wellendichtring	Junta	
22	3487015M1	1	Wiper Ring	Anneau	Ring	Aro	
23	339608X1	1	Grease Nipple - M10 X 1 (Zinc)	Nipple De Graissage	Schmiernippel	Engrasador	
24	5004012M91	1	Piston Rod Assy - Nla	Tige De Vérin	Kolbenstange	Vástago Cilindro	
25	#ROD, PISTON	1	Rod, Piston	Rod, Piston	Rod, Piston	Rod, Piston	Ref. 24
26	#BUSHING	1	Bushing	Douille	Busche	Boccola	
27	3623373M91	1	Kit Seal	Jeu Etancheite	Dichtringsatz	Juego De Juntas	

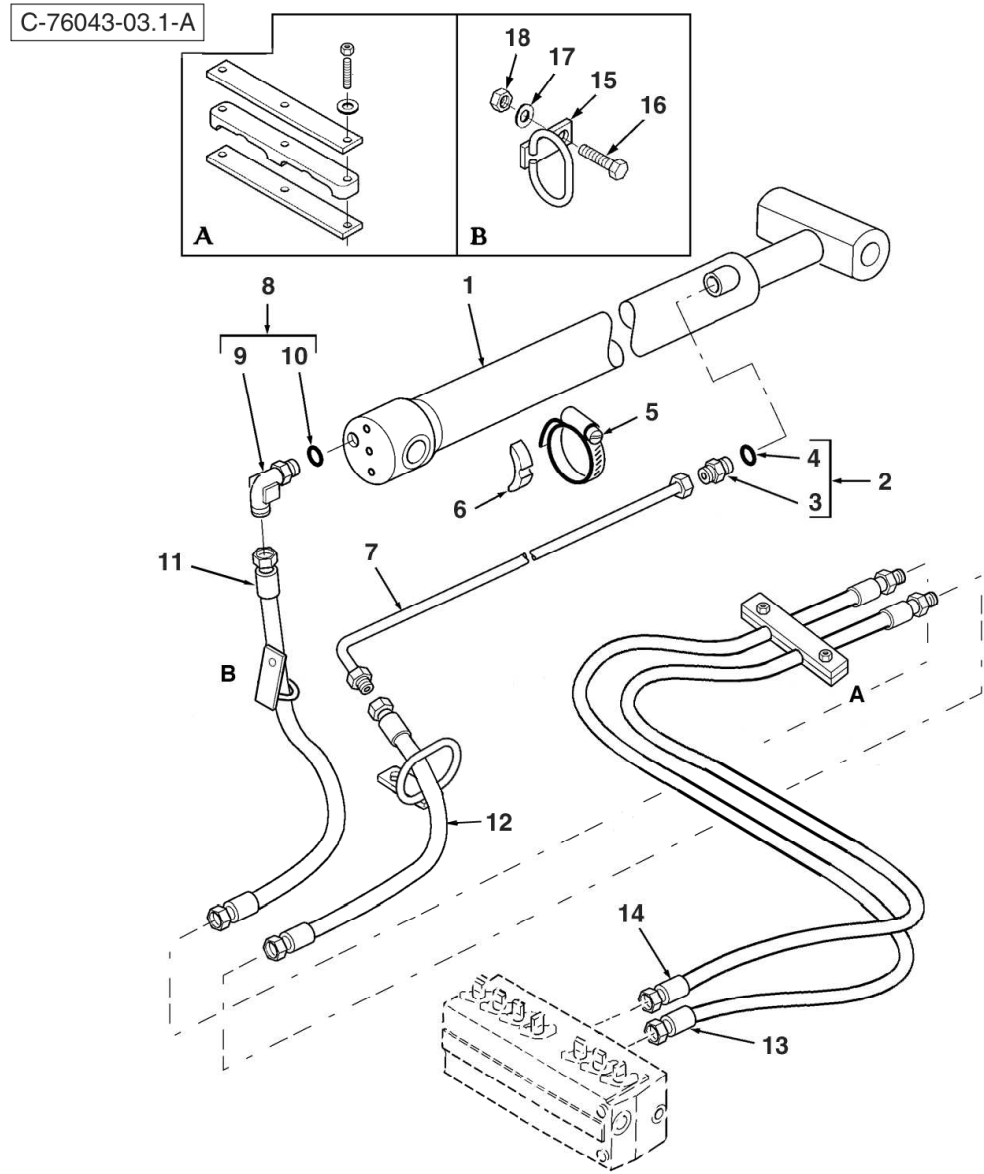


C-76043-02.2-A



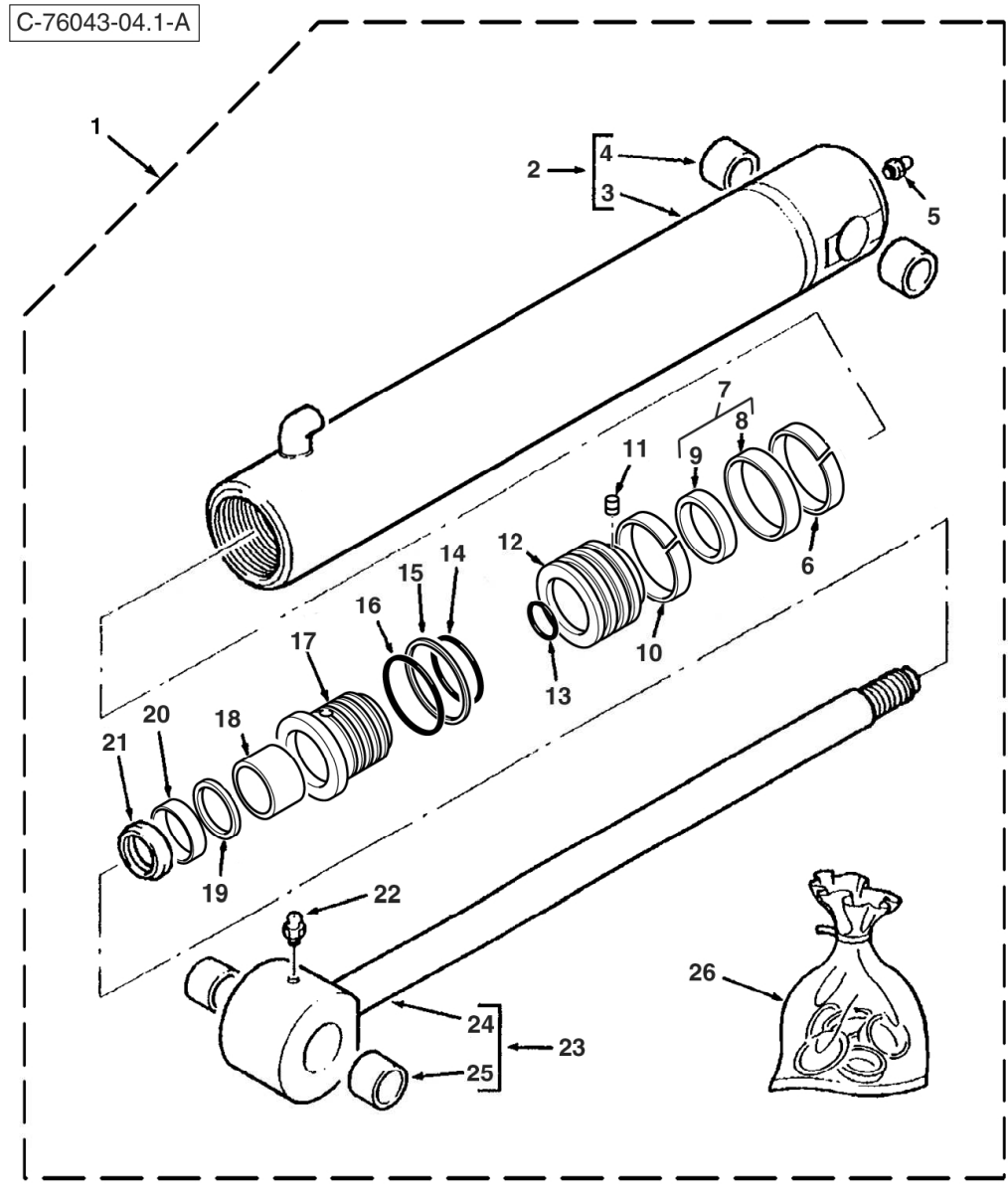
Item	Part No.	Qty.	English	French	German	Spanish	Remarks
1	6111070M91GY03	1	Cylinder- Digger Bucket	Cylindre	Zylinder	Gato, Conj.	Tba [76043c01.1 1]
2	6194629M91	1	Barrel - Cylinder	Corps Cylindre	Zylindergehäuse	Tubo	
3	#TUBE	1	Tube	Tube	Tube	Tube	Ref. 2
4	6194562M1	2	Bush	Douille	Büchse	Casquillo	
5	6194542M1	1	Nipple - Grease	Graisseur Coude	Nippel	Manguito, Engrasador	
6	6194634M1	1	Bearing - Piston	Coussinet	Lager	Teniendo - Pistón	
7	6194635M1	1	Seal - Piston	Joint Étanchéité	Dichtring	Junta	
8	6194636M1	1	O Ring (Std)	Joint Torique	O Ring	Junta De Tipo O	
9	6194634M1	1	Bearing - Piston	Coussinet	Lager	Teniendo - Pistón	
10	6194633M1	1	Set Screw - Hex Socket	Vis Tete Hex	Zylinderschraube	Tornillo De Ajuste	
11	6194631M1	1	Piston	Piston	Kolben	Pistón	
12	6194637M1	1	Ring - Piston	Segment Piston	Kolbenring	Segmento De Pistón	
13	6194625M1	1	Ring - Back Up	Contre Bague	Stutzring	ContraJunta	
14	6194624M1	1	O Ring (Std)	Joint Torique	O Ring	Junta De Tipo O	
15	6194541M1	1	Bush - Bimetal	Douille	Büchse	Juego De Anillos	
16	6194640M1	1	O Ring (Std)	Joint Torique	O Ring	Junta De Tipo O	
17	6194641M1	1	Ring - Back Up	Contre Bague	Stutzring	ContraJunta	
18	6194632M1	1	End Cover - Head	Couvercle	Deckel	Tapa	
19	6194638M1	1	Seal - Rod (Primary)	Joint Étanchéité	Dichtring	Junta	
20	6194639M1	1	Seal- Rod (Secondary)	Joint Étanchéité	Dichtring	Junta	
21	6194554M1	1	Wiper	Essuyeur	Wischer	Raspador, Escobilla	
22	6194630M91	1	Rod - Piston	Bielle De Piston	Pleuelstange	Rod - Pistón	
23	#ROD	1	Rod	Rod	Rod	Rod	Ref. 22
24	6194562M1	2	Bush	Douille	Büchse	Casquillo	
25	6194542M1	1	Nipple - Grease	Graisseur Coude	Nippel	Manguito, Engrasador	
26	6194642M91	0	Seal Kit	Jeu Etancheite	Dichtringsatz	Juego De Juntas	





Item	Part No.	Qty.	English	French	German	Spanish	Remarks
1	#CYLINDER ASSY	1	Cylinder Assy	Cylinder Assy	Cylinder Assy	Cylinder Assy	76043c04.1 1 76043c04.2 1
2	835013M91	1	Connector 7/8 Jic	Raccord	Schraubanschluss	Conexión, Conj.	
3	#UNION	1	Union	Union	Union	Union	Ref. 2
4	835024M1	1	Ring O - Boa	Joint Torique	O Ring	Junta De Tipo O	
5	3517733M1	1	Clamp Hose 130-150	Collier De Serrage	Schlauchbinder	Argolla De Cierre	
6	D142787	1	Saddle (See 142787d)	Selle	Sattel	Bloque De Caucho	
7	6111162M91	1	Tube Assembly - Dipper Cylinder	Tuyauterie	Rohrleitung Kplt	Conjunto De Tubería	Tba Wipro
7	6100976M92	1	Tube Assy. - Dipperstick Cylinder	Tuyauterie	Rohrleitung Kplt	Conjunto De Tubería	Tba Pacoma
8	6101624M91	1	Elbow 90deg-Long	Coude À 90°	Winkelstuck	Codo, 90°	
9	#ELBOW	1	Elbow	Elbow	Elbow	Elbow	Ref. 8
10	835024M1	1	Ring O - Boa	Joint Torique	O Ring	Junta De Tipo O	
11	6101738M91	1	Hose-Dipper Head	Flexible Ass.	Schlauch Kplt	Flexible, Conj.	Yellow
12	6101737M91	1	Hose-Dipper Rod	Flexible Ass.	Schlauch Kplt	Flexible, Conj.	Red
13	6102941M91	1	Hose-Dipper Head-Yellow	Flexible Ass.	Schlauch Kplt	Flexible, Conj.	Yellow
14	6102944M91	1	Hose-Dipper Rod	Flexible Ass.	Schlauch Kplt	Flexible, Conj.	Red
15	6101491M92	2	Hose Hoop Assy	Ensemble De Support	Haltevorrichtung Kpl.	Apoyadero, Conj.	
16	339761X1	2	Bolt M8-25 Z5f	Goupille	Bolzen M8 X 25	Tornillo	
17	390972X1	2	Washer M8-17-1 Zwel	Rondelle M8	Scheibe - M8	Arandela	
18	394367X1	2	Nut, Hex. - Nyloc, M8	Ecrou Blocage M8	Flachmutter - M8	Tuerca De Retención	

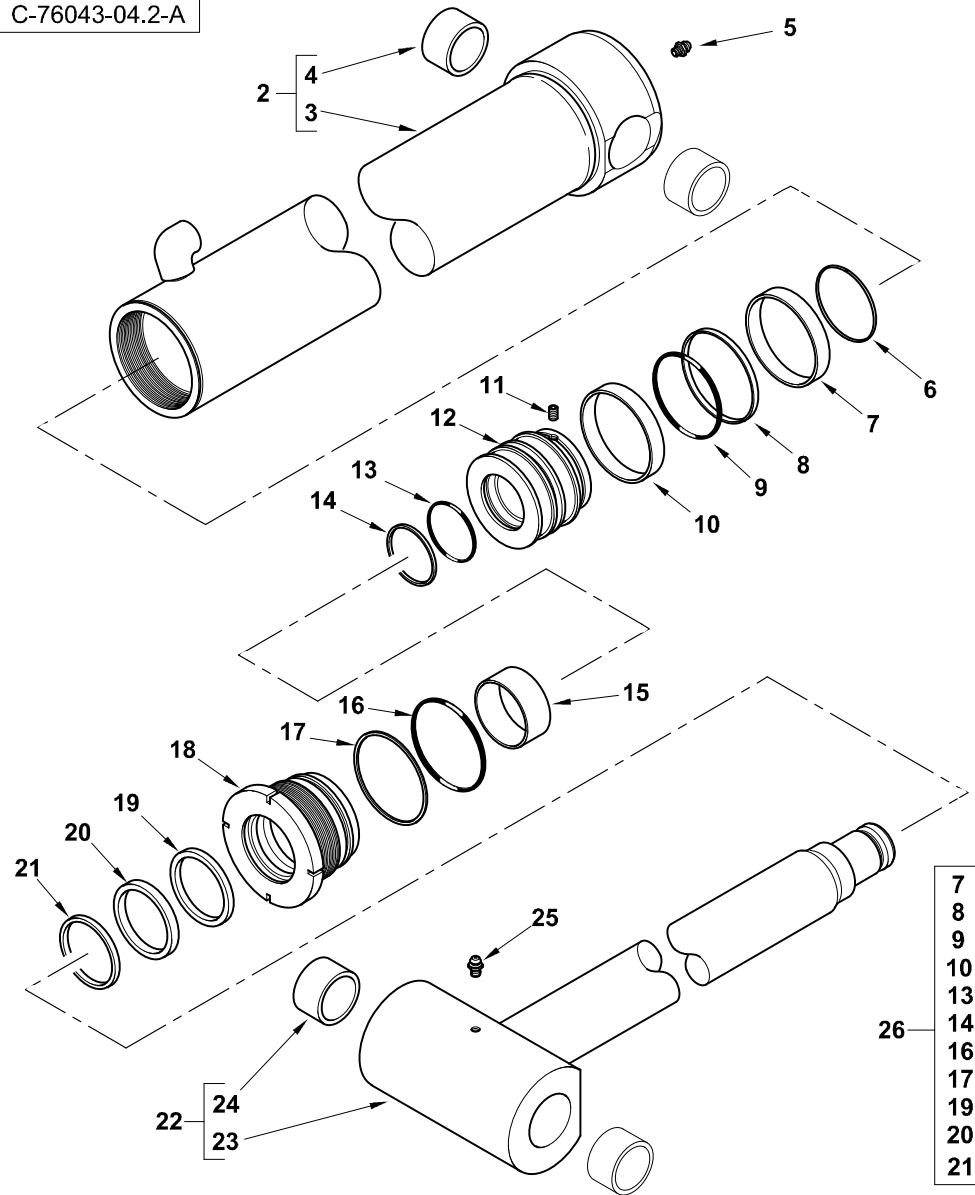




Item	Part No.	Qty.	English	French	German	Spanish	Remarks
1	5000124M91GY02	1	Cylinder Dipperstick (Benford Grey)	L´Hie Hydraulique	Zylinder Hydr.	Gato, Conj.	Tba [76043c03.1 1]
2	5003982M91	1	Barrel Assy. - Dipper Cylinder	Corps Cylindre	Zylindergehäuse	Cilindro	
3	#TUBE, CYLINDER	1	Tube, Cylinder	Tube, Cylindre	Tube, Cylinder	Tube, Cylinder	Ref. 2
4	3484843M1	1	Bush, Hydr. Cylinders	Douille	Buechse	Casquillo	
5	339608X1	1	Grease Nipple - M10 X 1 (Zinc)	Nipple De Graissage	Schmiernippel	Engrasador	
6	3485891M1	1	Guide Ring Piston	Anneau	Ring	Aro	
7	3485247M91	1	Seal Piston	Joint	Dichtung	Junta, Conj.	
8	#SEAL	1	Seal	Joint Étanchéité	Dichtring	Retén	Ref. 7
9	#RING	1	Ring	Anneau	Ring	Aro	Ref. 7
10	3485891M1	1	Guide Ring Piston	Anneau	Ring	Aro	
11	3402928M1	1	Screw, Socket Head - Piston Locating	Vis Tête Hex	Zylinderschraube	Tornillo	
12	5003989M1	1	Piston	Piston	Kolben	Pistón	
13	3007182X1	1	O-Ring	Joint Torique	O-Ring	Junta De Tipo O	
14	359196X1	1	O Ring	Joint Torique	O Ring	Junta De Tipo O	
15	378545X1	1	Ring - Backup	Contre Bague	Stutzring	Aro	
16	3487908M1	1	O Ring, Hydr. Cylinder	Joint Torique	O Ring	Junta De Tipo O	
17	5003988M1	1	Bearing Cylinder	Roulement	Lager	Cojinete	
18	3623193M1	1	Guide Ring	Anneau	Ring	Aro	
19	3443388M1	1	Ring - Back Up	Anneau	Ring	Aro	
20	3443472M1	1	Seal	Joint D´Arbre	Wellendichtring	Junta	
21	3403385M1	1	Wiper Ring	Joint De Racleur	Abstreifdichtung	Junta Raspador	
22	339608X1	1	Grease Nipple - M10 X 1 (Zinc)	Nipple De Graissage	Schmiernippel	Engrasador	
23	5003985M91	1	Piston Rod Assy	Tige De Vérin	Kolbenstange	Vástago Cilindro	
24	#ROD, PISTON	1	Rod, Piston	Rod, Piston	Rod, Piston	Rod, Piston	Ref. 23
25	3484843M1	1	Bush, Hydr. Cylinders	Douille	Buechse	Casquillo	
26	5004401M91	1	Kit Seal	Jeu Étanchéité	Dichtringsatz	Juego De Juntas	



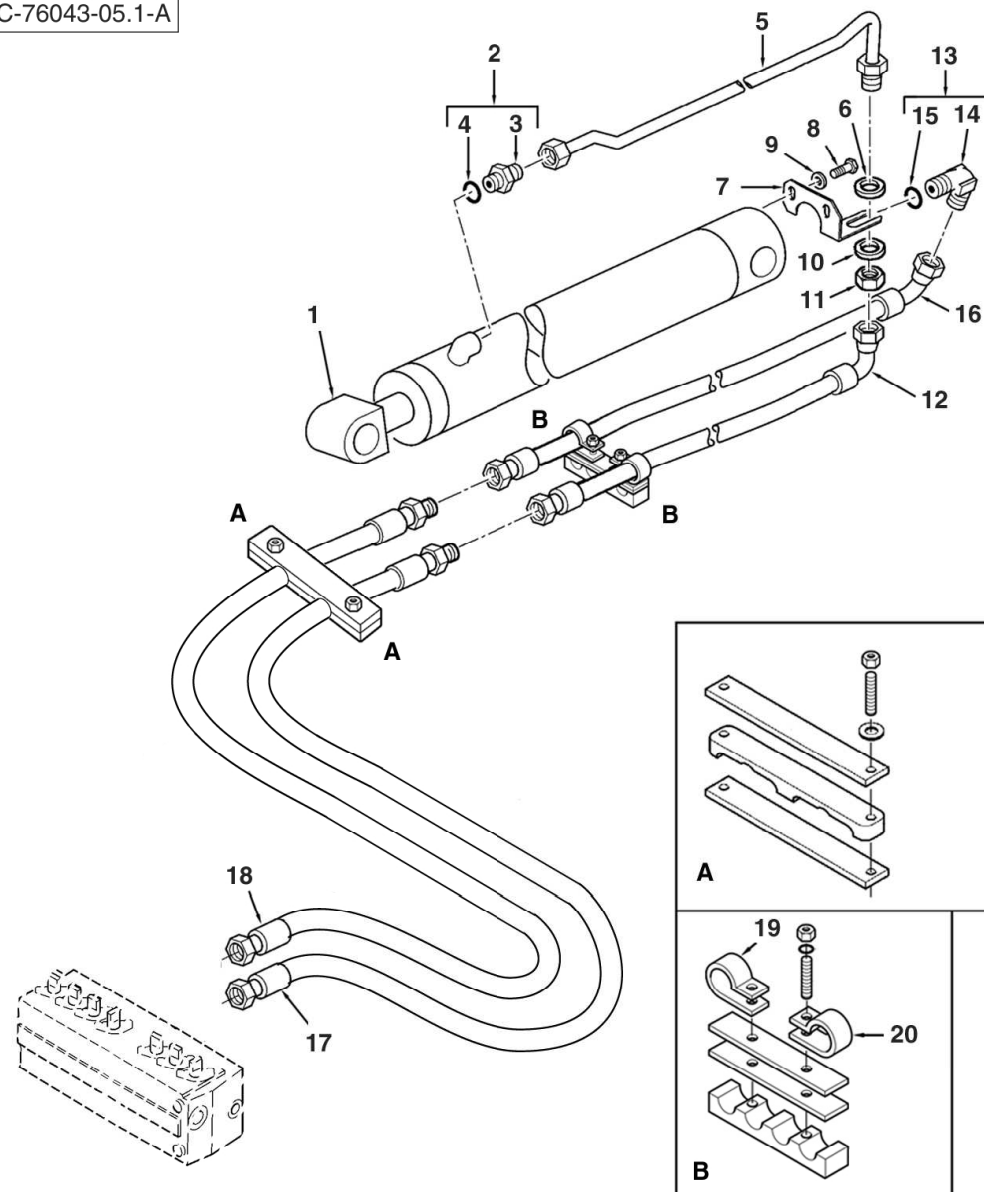
C-76043-04.2-A



Item	Part No.	Qty.	English	French	German	Spanish	Remarks
1	6111069M91GY03	1	Cylinder - Dipperstick	Cylindre	Zylinder	Gato, Conj.	Tba [76043c03.1 1]
2	6194615M91	1	Barrel - Cylinder	Corps Cylindre	Zylindergehäuse	Conjunto De Tubería	
3	#TUBE	1	Tube	Tube	Tube	Tube	Ref. 2
4	6194562M1	2	Bush	Douille	Büchse	Casquillo	
5	6194542M1	1	Nipple - Grease	Graisseur Coude	Nippel	Manguito, Engrasador	
6	6194620M1	1	Ring - Snap	Fermeoir	Sprengring	Anillo De Resorte	
7	6194621M1	1	Bearing - Piston	Coussinet	Lager	Teniendo - Pistón	
8	6194622M1	1	Seal - Piston	Joint Étanchéité	Dichtring	Junta	
9	6194623M1	1	O Ring (Std)	Joint Torique	O Ring	Junta De Tipo O	
10	6194621M1	1	Bearing - Piston	Coussinet	Lager	Teniendo - Pistón	
11	6194619M1	1	Set Screw	Vis	Schraube	Tornillo De Ajuste	
12	6194617M1	1	Piston	Piston	Kolben	Pistón	
13	6194624M1	1	O Ring (Std)	Joint Torique	O Ring	Junta De Tipo O	
14	6194625M1	1	Ring - Back Up	Contre Bague	Stutzring	ContraJunta	
15	6194565M1	1	Bush - Bimetal	Douille	Büchse	Juego De Anillos	
16	6194626M1	1	O Ring (Std)	Joint Torique	O Ring	Junta De Tipo O	
17	6194627M1	1	Ring - Back Up	Contre Bague	Stutzring	ContraJunta	
18	6194618M1	1	End Cover - Head	Couvercle	Deckel	Tapa	
19	6194575M1	1	Seal - Rod (Primary)	Joint Étanchéité	Dichtring	Junta	
20	6194576M1	1	Seal- Rod (Secondary)	Joint Étanchéité	Dichtring	Junta	
21	6194573M1	1	Wiper	Essuyeur	Wischer	Raspador, Escobilla	
22	6194616M91	1	Rod - Piston	Bielle De Piston	Pleuelstange	Rod - Pistón	
23	#ROD	1	Rod	Rod	Rod	Rod	Ref. 22
24	6194562M1	2	Bush	Douille	Büchse	Casquillo	
25	6194542M1	1	Nipple - Grease	Graisseur Coude	Nippel	Manguito, Engrasador	
26	6194628M91	0	Seal Kit	Jeu Etancheite	Dichtringsatz	Juego De Juntas	

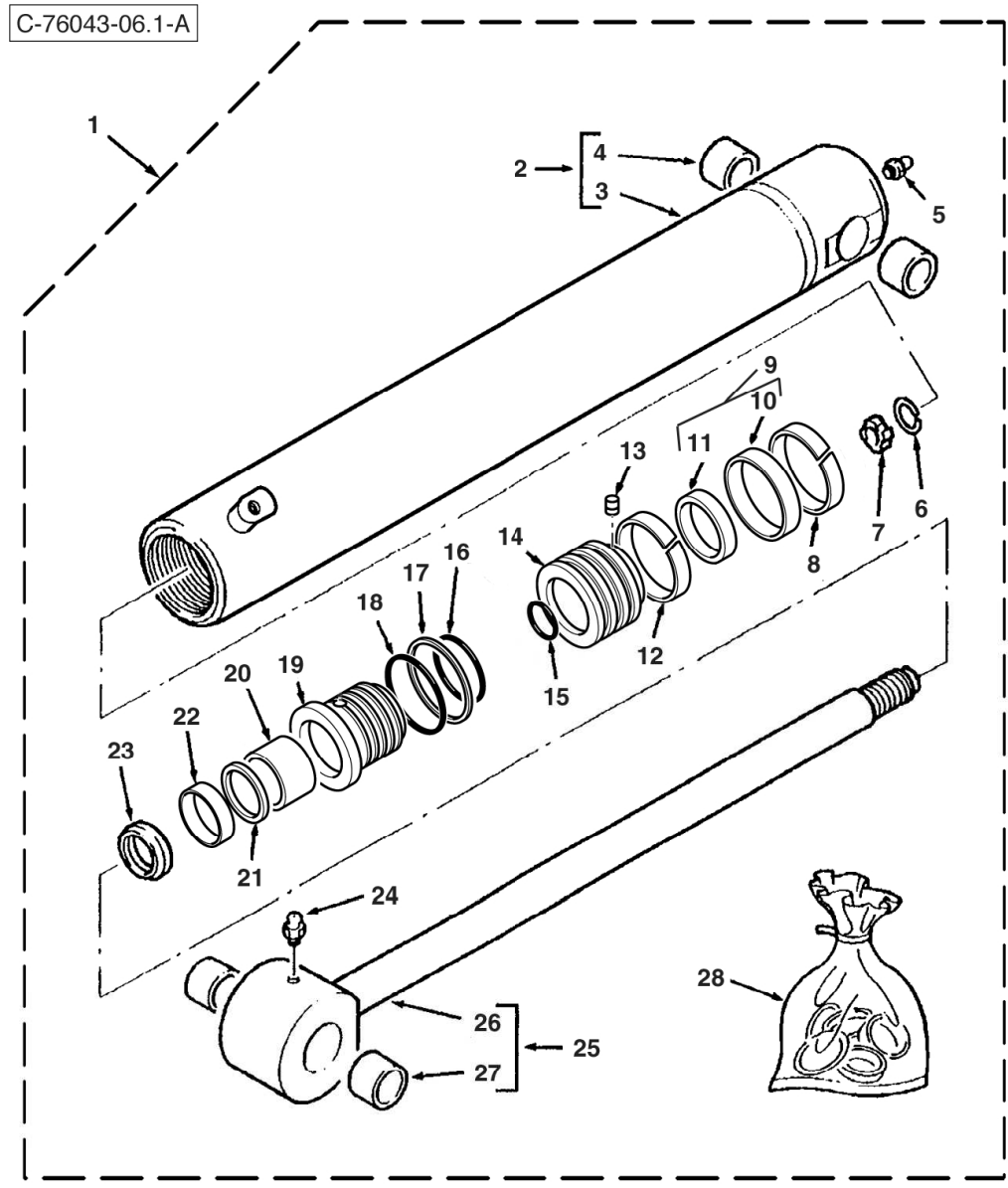


C-76043-05.1-A



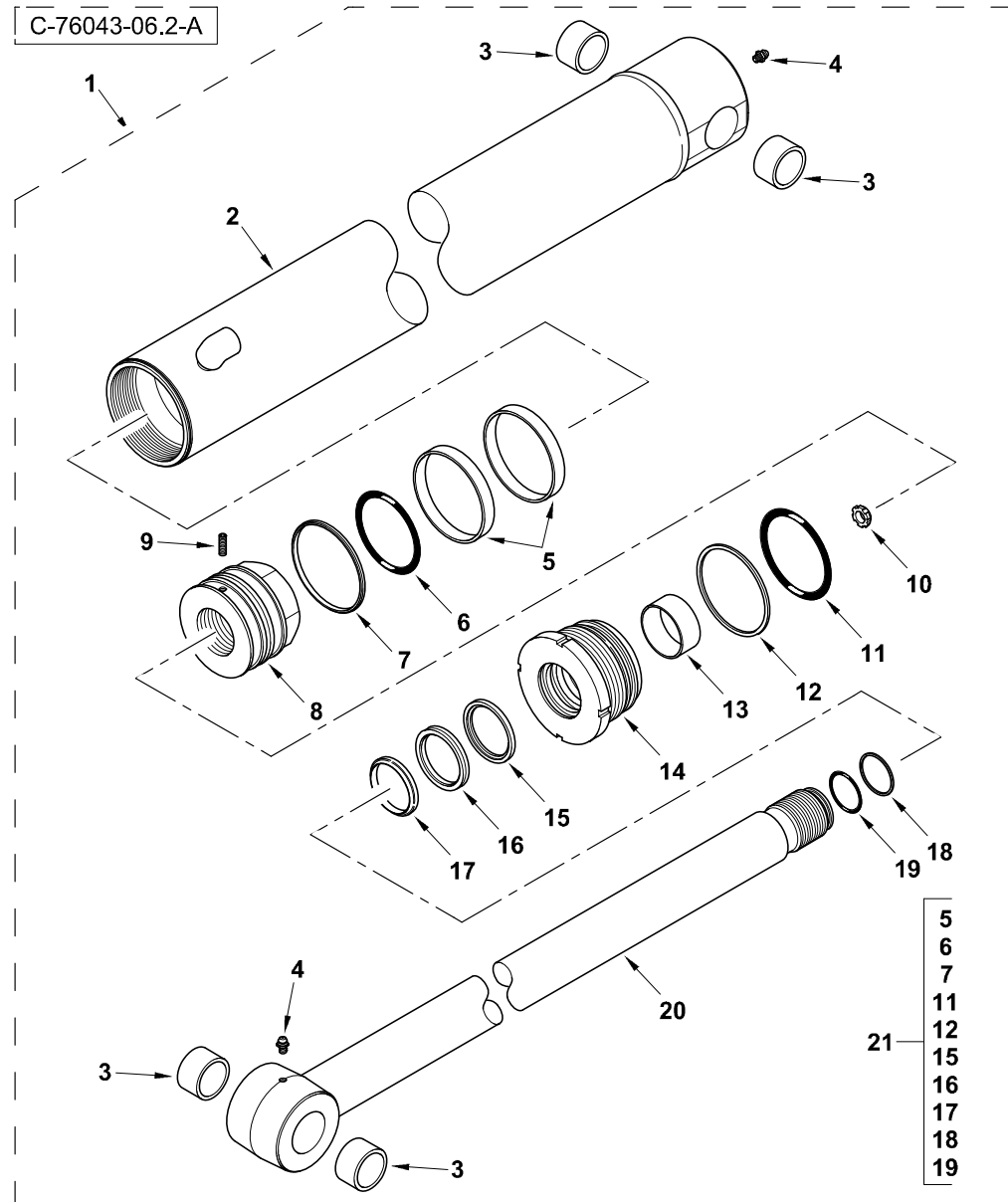
Item	Part No.	Qty.	English	French	German	Spanish	Remarks
1	6111079M91GY03	1	Cylinder Boom 4.9	Cylinder Boom 4.9	Cylinder Boom 4.9	Cylinder Boom 4.9	Wipro
1	5000123M91	1	Cylinder 4.9m Boom - High Spec.	L' Hie Hydraulique	Zylinder Hydr.	Gato, Conj.	Pacoma
2	835013M91	1	Connector 7/8 Jic	Raccord	Schraubanschluss	Conexión, Conj.	
3	#UNION	1	Union	Union	Union	Union	Ref. 2
4	835024M1	1	Ring O - Boa	Joint Torique	O Ring	Junta De Tipo O	
5	6111164M91	1	Tube Assy Boom Cylinder (4.9)	Tuyauterie	Rohrleitung Kpl.	Conjunto De Tubería	Wipro
5	6100993M91	1	Tube-Cylinder-Boom-4.9	Tuyauterie	Rohrleitung Kplt	Conjunto De Tubería	Pacoma
6	353763X1	1	Washer	Rondelle	Scheibe	Arandela	
7	6100883M1	1	Bracket-Cylinder-Boom	Patte Fixation	Halter	Pata De Fijación	
8	339228X1	2	Bolt, Hex. - M8 X 12 (Coarse)	Boulon M8 X 12	Maschschraube M8	Tornillo	
9	339374X1	2	Washer M8 -21-2 Z	Rondelle Frein - M8	Federring - M8	Arandela De Freno	
10	353763X1	1	Washer	Rondelle	Scheibe	Arandela	
11	355574X1	1	Nut, Hex. - 7/8" Unf, Lock	Ecrou 7/8" Unf	Mutter 7/8" Unf	Tuerca	
12	6101735M92	1	Hose-Boom Cyl Rod	Flexible Ass.	Schlauch Kplt	Flexible, Conj.	Orange
13	835007M91	1	Elbow 90 Degree Adjust	Coude 90°	Kniestück 90°	Codo, 90°	
14	#ELBOW	1	Elbow	Elbow	Elbow	Elbow	Ref. 13
15	835024M1	1	Ring O - Boa	Joint Torique	O Ring	Junta De Tipo O	
16	6101736M92	1	Hose, "Blue" - Boom Cylinder Feed	Flexible	Schlauch	Flexible, Conj.	Blue
17	6102943M91	1	Hose-Boom Rod-Orange	Flexible Ass.	Schlauch Kplt	Flexible, Conj.	Orange
18	6102940M91	1	Hose-Boom Head-Blue	Flexible Ass.	Schlauch Kplt	Flexible, Conj.	Blue
19	515-23270	1	Clip-Coated P	Clip	Klips	Clip	
20	515-23206	1	P Clip Bsr081hs	Bride Pour Tutaux	Schlauchschelle	Abrazadera De Manguera	





Item	Part No.	Qty.	English	French	German	Spanish	Remarks
1	5000123M91	1	Cylinder 4.9m Boom - High Spec.	L´Hie Hydraulique	Zylinder Hydr.	Gato, Conj.	76043c05.1 1
2	5003993M91	1	Barrel Assy	Cylindre	Zylinder	Cilindro	
3	#TUBE, CYLINDER	1	Tube, Cylinder	Tube, Cylinder	Tube, Cylinder	Tube, Cylinder	Ref. 2
4	#BUSHING	2	Bushing	Douille	Busche	Boccola	
5	339608X1	1	Grease Nipple - M10 X 1 (Zinc)	Nipple De Graissage	Schmiernippel	Engrasador	
6	1609899M1	1	Snap Ring	Anneau D´Arrêt	Sprengring	Anillo De Resorte	
7	1609328M1	1	Ring Cushioning	Anneau	Ring	Aro	
8	3403852M1	1	Ring, Guide - Piston	Anneau	Ring	Aro	
9	3485213M91	1	Seal Piston	Joint	Dichtung	Junta, Conj.	
10	#SEAL	1	Seal	Joint Étanchéité	Dichtring	Retén	Ref. 9
11	#SEAL	1	Seal	Joint Étanchéité	Dichtring	Retén	Ref. 9
12	3403852M1	1	Ring, Guide - Piston	Anneau	Ring	Aro	
13	3402928M1	1	Screw, Socket Head - Piston Locating	Vis Tête Hex	Zylinderschraube	Tornillo	
14	3484189M1	1	Piston	Piston	Kolben	Pistón	
15	3007182X1	1	O-Ring	Joint Torique	O-Ring	Junta De Tipo O	
16	359203X1	1	O-Ring	Joint Torique	O-Ring	Junta De Tipo O	
17	367120X1	1	Back-Up Ring	Contre Bague	Stützring	Aro	
18	3487909M1	1	O-Ring	Joint Torique	O-Ring	Junta De Tipo O	
19	3623202M1	1	Bearing	Roulement	Lager	Cojinete	
20	3623193M1	1	Guide Ring	Anneau	Ring	Aro	
21	3443388M1	1	Ring - Back Up	Anneau	Ring	Aro	
22	3443472M1	1	Seal	Joint D´Arbre	Wellendichtring	Junta	
23	3403385M1	1	Wiper Ring	Joint De Racleur	Abstreifdichtung	Junta Raspador	
24	339608X1	1	Grease Nipple - M10 X 1 (Zinc)	Nipple De Graissage	Schmiernippel	Engrasador	
25	3441722M91	1	Piston Rod Assy	Tige De Vérin	Kolbenstange	Vástago Cilindro	
26	#ROD, PISTON	1	Rod, Piston	Rod, Piston	Rod, Piston	Rod, Piston	Ref. 25
27	3484843M1	1	Bush, Hydr. Cylinders	Douille	Buechse	Casquillo	
28	3623589M91	1	Kit, Seal - Hydraulic Cylinder	Jeu Etancheite	Dichtringsatz	Juego De Juntas	

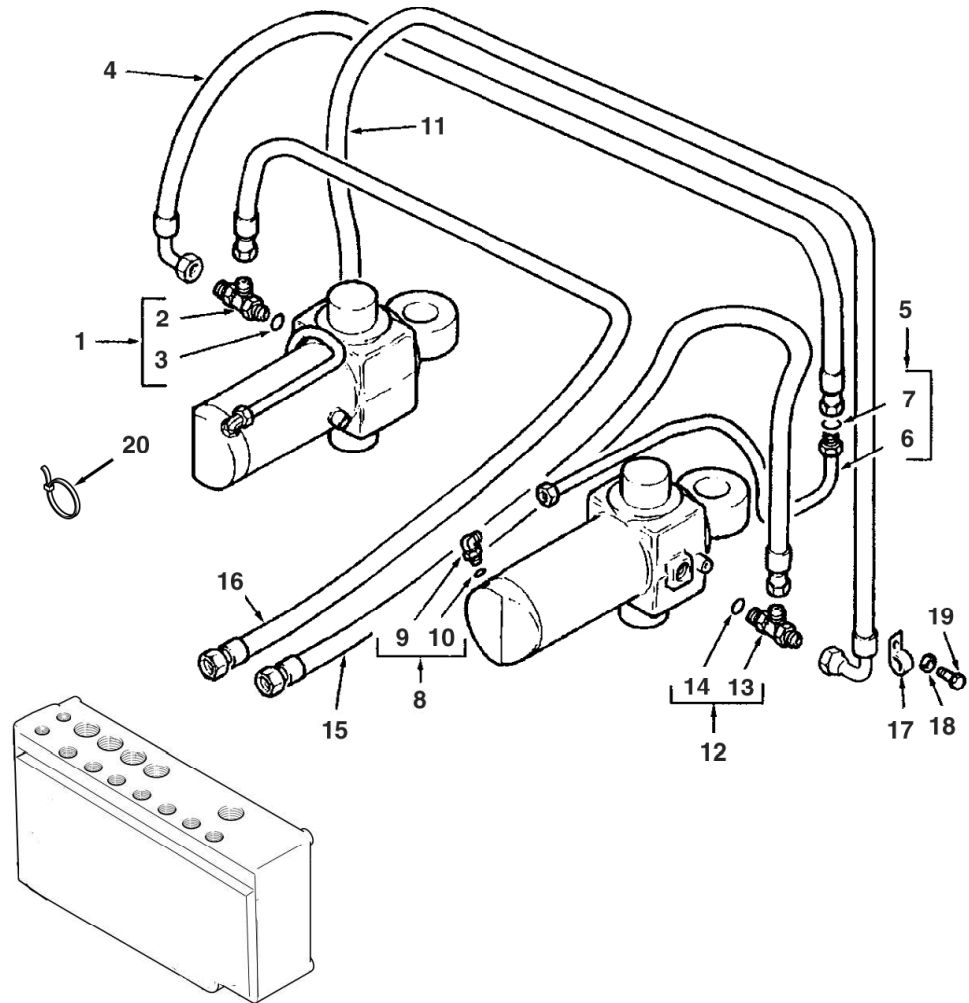




Item	Part No.	Qty.	English	French	German	Spanish	Remarks
1	6111079M91GY03	1	Cylinder Boom 4.9	Cylinder Boom 4.9	Cylinder Boom 4.9	Cylinder Boom 4.9	
2	6195264M91GY03	1	Tube - S/A (Terex Grey)	Tube - S/A (Terex Grey)	Tube - S/A (Terex Grey)	Tube - S/A (Terex Grey)	
3	6195253M1	4	Bush	Douille	Buchse	Casquillo	
4	6194542M1	2	Nipple - Grease	Graisseur Coude	Nippel	Manguito, Engrasador	
5	6195259M1	2	Bearing - Piston	Bearing - Piston	Bearing - Piston	Bearing - Piston	
6	6195258M1	1	O - Ring	O - Ring	O - Ring	O - Ring	
7	6195257M1	1	Seal - Piston	Seal - Piston	Seal - Piston	Seal - Piston	
8	6195251M1	1	Piston	Piston	Piston	Piston	
9	6195236M1	1	Set Screw - Hex Socket	Set Screw - Hex Socket	Set Screw - Hex Socket	Set Screw - Hex Socket	
10	6195235M1	1	Ring - Cushion	Ring - Cushion	Ring - Cushion	Ring - Cushion	
11	6195260M1	1	O - Ring	O - Ring	O - Ring	O - Ring	
12	6195261M1	1	Ring - Back Up	Ring - Back Up	Ring - Back Up	Ring - Back Up	
13	6195256M1	1	Bush - Bimetal	Bush - Bimetal	Bush - Bimetal	Bush - Bimetal	
14	6195252M1	1	Cover - H.E.	Cover - H.E.	Cover - H.E.	Cover - H.E.	
15	6194575M1	1	Seal - Rod (Primary)	Joint Étanchéité	Dichtring	Junta	
16	6195262M1	1	Seal - Rod (Secondary)	Seal - Rod (Secondary)	Seal - Rod (Secondary)	Seal - Rod (Secondary)	
17	6194573M1	1	Wiper	Essuyeur	Wischer	Raspador, Escobilla	
18	6194570M1	1	Ring - Back Up	Contre Bague	Stutzring	Contra junta	
19	6195247M1	1	O - Ring	O - Ring	O - Ring	O - Ring	
20	6195265M91	1	Piston Rod - S/A	Piston Rod - S/A	Piston Rod - S/A	Piston Rod - S/A	
21	6195263M91	1	Seal Kit	Jeu Etancheite	Dichtringsatz	Juego Retenes	



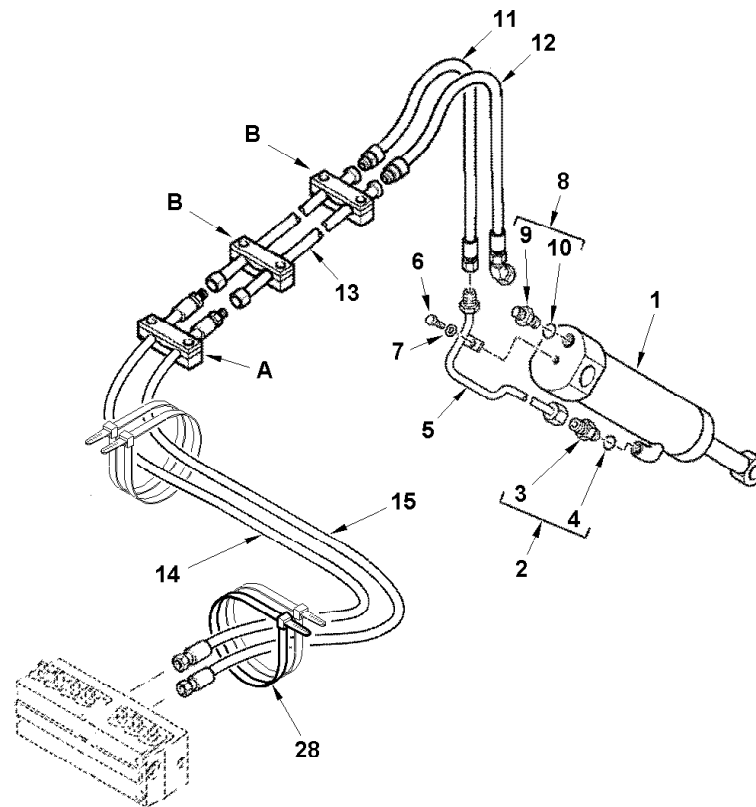
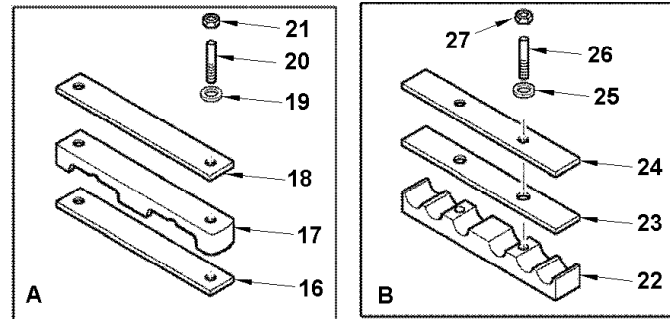
C-76043-07.1-A



Item	Part No.	Qty.	English	French	German	Spanish	Remarks
1	358728X91	1	Tee	Te	T-Stück	Te	
2	#TEE	1	Tee	Tee	Tee	Tee	Ref. 1
3	831497M1	1	O-Ring	Joint Torique	O-Ring	Junta De Tipo O	
4	6100716M91	1	Hose Slew Trsfr	Flexible Ass.	Schlauch Kplt	Flexible, Conj.	
5	6111175M92	1	Tube Assy Slew	Ensemble Tube	Rohr Kpl	Conj.De Tubo	RH Wipro
5	6100589M91	1	Tube Slew Trsf RH	Tuyauterie	Rohrleitung Kplt	Conjunto De Tubería	Pacoma
5	6100587M91	1	Tube Slew Trsf LH	Tuyauterie	Rohrleitung Kplt	Conjunto De Tubería	Pacoma
5	6111174M92	1	Tube Assy Slew	Ensemble Tube	Rohr Kpl	Conj. De Tubo	LH Wipro
6	#TUBE	1	Tube	Tube	Tube	Tube	Ref. 5
7	394923X1	1	O Ring	Joint Torique	O Ring	Junta De Tipo O	
8	357197X91	2	Elbow & O Ring	Coude	Kniestück, 90°	Codo, 90°	
9	#ELBOW	1	Elbow	Elbow	Elbow	Elbow	Ref. 8
10	831452M1	1	O Ring (Pack Of 10)	Joint Torique	O Ring	Junta De Tipo O	
11	6100716M91	1	Hose Slew Trsfr	Flexible Ass.	Schlauch Kplt	Flexible, Conj.	
12	358728X91	1	Tee	Te	T-Stück	Te	
13	#TEE	1	Tee	Tee	Tee	Tee	Ref. 12
14	831497M1	1	O-Ring	Joint Torique	O-Ring	Junta De Tipo O	
15	6100715M92	1	Hose-Digger-Green	Flexible Ass.	Schlauch Kplt	Flexible, Conj.	Purple
16	6101866M93	1	Hose-Digger-Green	Flexible Ass.	Schlauch Kplt	Flexible, Conj.	Green
17	3517114M2	2	P - Clip	Collier De Fixation	Befestigungsschelle	Argolla De Fijación	
18	385361X1	2	Washer M8 Hardened	Rondelle M8	Scheibe M8	Arandela	
19	339228X1	2	Bolt, Hex. - M8 X 12 (Coarse)	Boulon M8 X 12	Maschschraube M8	Tornillo	
20	1862425M1	1	Tie 385mm T50I	Attache Cable	Kabelbinder	Enlace De Cable	



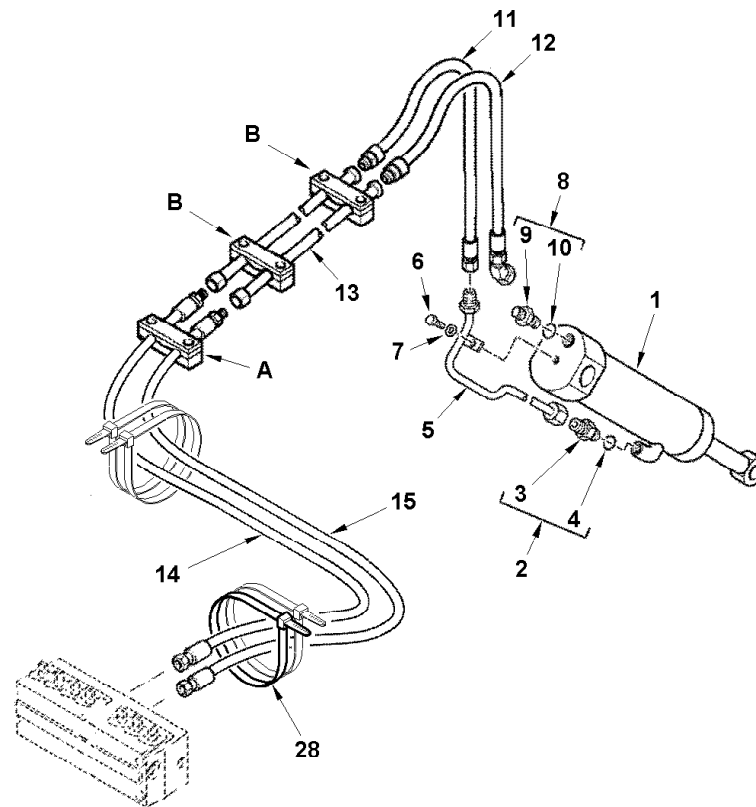
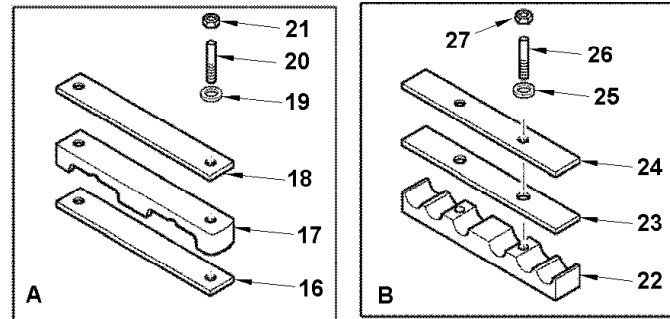
C-76046-01.1-B



Item	Part No.	Qty.	English	French	German	Spanish	Remarks
1	#CYLINDER ASSY	1	Cylinder Assy	Cylinder Assy	Cylinder Assy	Cylinder Assy	76046c02.1 1 76046c02.2 1
2	835013M91	1	Connector 7/8 Jic	Raccord	Schraubanschluss	Conexión, Conj.	
3	#UNION	1	Union	Union	Union	Union	Ref. 2
4	835024M1	1	Ring O - Boa	Joint Torique	O Ring	Junta De Tipo O	
5	6111161M91	1	Tube Assembly - Digger Bucket Cylinder	Tuyauterie	Rohrleitung Kplt	Conjunto De Tubería	Tba Wipro
5	6101540M91	1	Tube Assy Bucket	Tuyauterie	Rohrleitung Kplt	Conjunto De Tubería	Tba Pacoma
6	339123X1	1	Bolt M8-20 Z5f	Boulon M8 X 20	Maschschraube M8	Perno	
7	385361X1	1	Washer M8 Hardened	Rondelle M8	Scheibe M8	Arandela	
8	835013M91	1	Connector 7/8 Jic	Raccord	Schraubanschluss	Conexión, Conj.	
9	#UNION	1	Union	Union	Union	Union	Ref. 8
10	835024M1	1	Ring O - Boa	Joint Torique	O Ring	Junta De Tipo O	
11	6102309M91	1	Hose-Bucket Rod-Std	Flexible Ass.	Schlauch Kplt	Flexible, Conj.	Brown
12	6107024M91	1	Hose-Bucket HD Std	Flexible Ass.	Schlauch Kplt	Flexible, Conj.	White
13	6101771M91	2	Tube-Bucket-4.5m Boom	Tuyauterie	Rohrleitung Kplt	Conjunto De Tubería	Ec05/328
13	6111137M91	2	Tube Assy - Bkt 4.5m Boom	Ensemble Tube	Rohr Kpl	Conjunto De Tubería	Ec05/328
14	6111143M91	1	Hose Assy - Bucket Rod (Brown C/Mount)	Ensemble Durit	Schlauch Kpl	Flexible, Conj.	Brown Ec05/328
14	6102945M91	1	Hose-Bucket Rod-Brown	Flexible Ass.	Schlauch Kplt	Flexible, Conj.	Brown Ec05/328
15	6102942M91	1	Hose-Bucket Head-White	Flexible Ass.	Schlauch Kplt	Flexible, Conj.	White Ec05/328
15	6111144M91	1	Hose Assy- Bucket HD (White Centremount)	Ensemble Durit	Schlauch Kpl	Flexible, Conj.	White Ec05/328
16	6102128M1	1	Pad-Neoprene	Plaque Antidérapante	Zwischenlage	Cinta Antideslizante	
17	6102122M1	1	Clamp	Collier De Serrage	Klemme	Brida De Fijación	
18	6102130M1	1	Plate-Clamp	Plaque	Platte	Placa	
19	390972X1	2	Washer M8-17-1 Zwl	Rondelle M8	Scheibe - M8	Arandela	
20	3516075M1	2	Stud M8-65 Z5	Goujon	Stehbolzen	Espárrago	
21	394367X1	2	Nut, Hex. - Nyloc, M8	Ecrou Blocage M8	Flachmutter - M8	Tuerca De Retención	
22	6102126M1	2	Clamp	Collier De Serrage	Klemme	Brida De Fijación	
23	6102145M1	2	Pad-Neoprene	Plaque Antidérapante	Zwischenlage	Cinta Antideslizante	
24	6102124M1	2	Plate-Top	Plaque	Platte	Placa	
25	390972X1	4	Washer M8-17-1 Zwl	Rondelle M8	Scheibe - M8	Arandela	
26	6108049M1	4	Stud M8	Goujon	Stehbolzen	Espárrago	

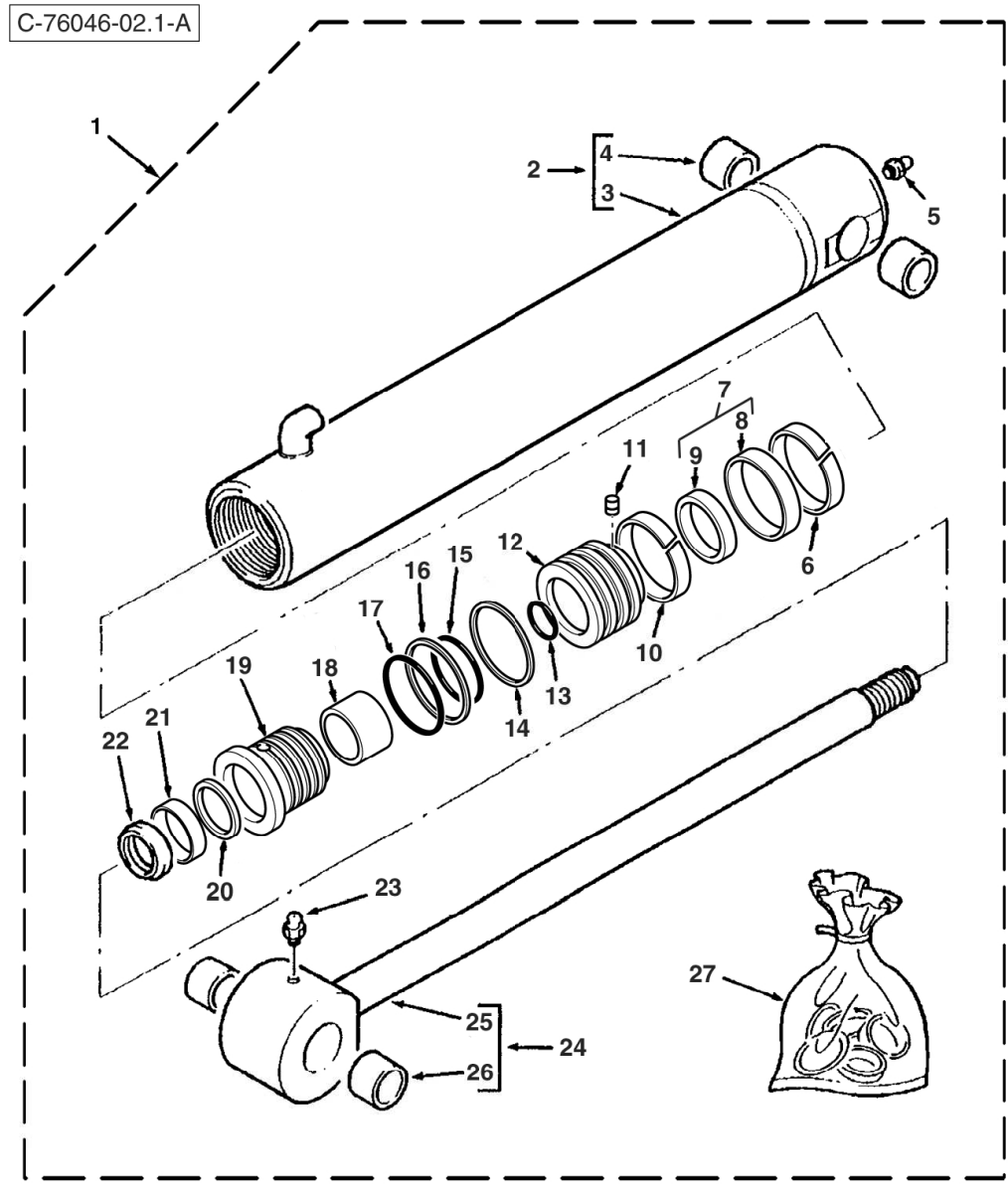


C-76046-01.1-B



Item	Part No.	Qty.	English	French	German	Spanish	Remarks
27	394367X1	4	Nut, Hex. - Nyloc, M8	Ecrou Blocage M8	Flachmutter - M8	Tuerca De Retención	
28	8000-1379	4	Tie Wrap (530 X 13mm)	Bride	Buegel	Banda	

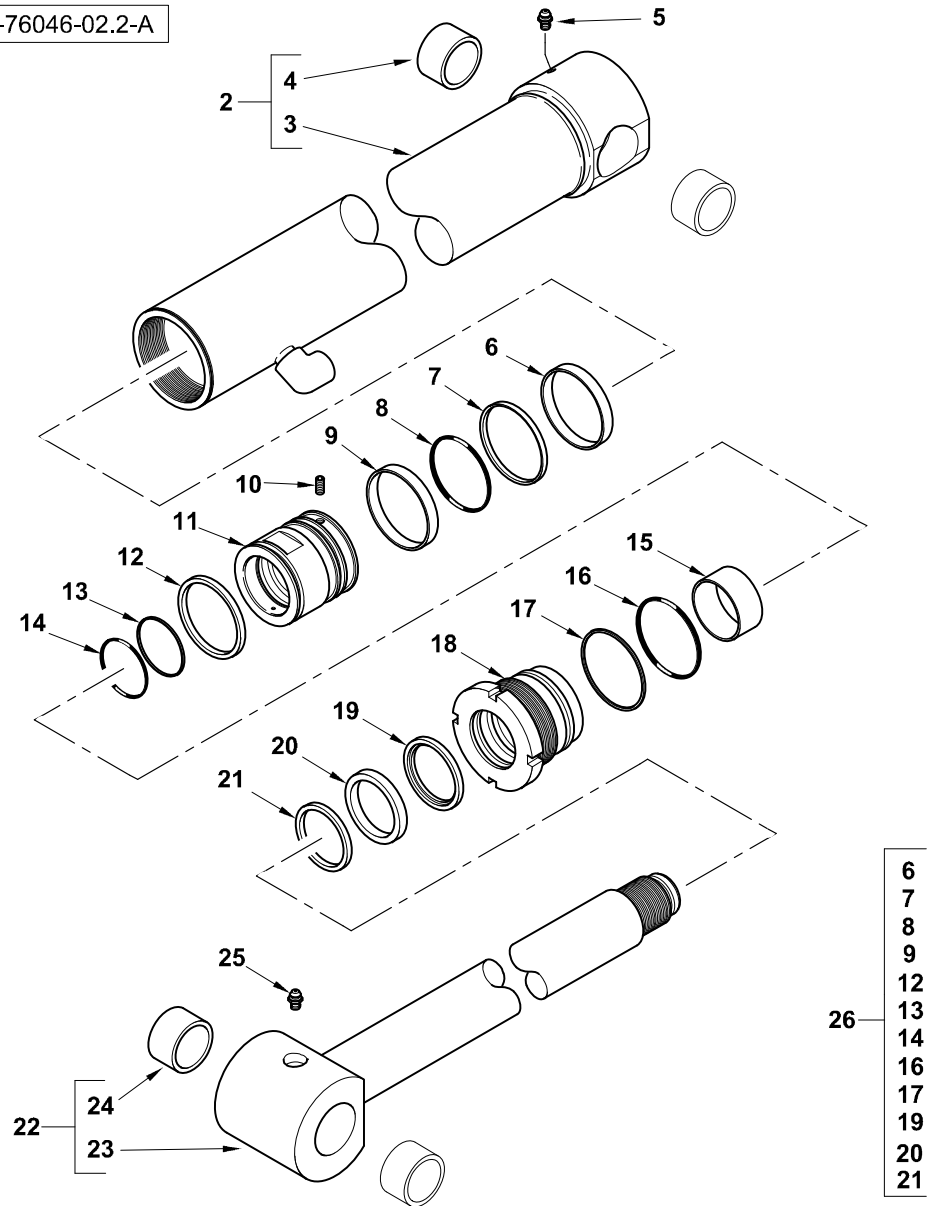




Item	Part No.	Qty.	English	French	German	Spanish	Remarks
1	5000126M91GY02	1	Cylinder Digger Bucket (Benford Grey)	L´Hie Hydraulique	Zylinder Hydr.	Gato, Conj.	Tba [76046c01.1 1]
2	5004008M91	1	Barrel Assy	Cylindre	Zylinder	Cilindro	
3	#TUBE, CYLINDER	1	Tube, Cylinder	Tube, Cylinder	Tube, Cylinder	Tube, Cylinder	Ref. 2
4	#BUSHING	1	Bushing	Douille	Busche	Boccola	
5	339608X1	1	Grease Nipple - M10 X 1 (Zinc)	Nipple De Graissage	Schmiernippel	Engrasador	
6	3485892M1	1	Guide Ring Piston	Bague D´Étanchéité	Dichtungsring	Anillo, Estanqueidad	
7	3485245M91	1	Seal Assy Piston	Joint Ass.	Dichtung Kplt	Junta, Conj.	
8	#SEAL	1	Seal	Joint Étanchéité	Dichtring	Retén	Ref. 7
9	#RING	1	Ring	Anneau	Ring	Aro	Ref. 7
10	3485892M1	1	Guide Ring Piston	Bague D´Étanchéité	Dichtungsring	Anillo, Estanqueidad	
11	3402928M1	1	Screw, Socket Head - Piston Locating	Vis Tête Hex	Zylinderschraube	Tornillo	
12	3623372M1	1	Piston	Piston	Kolben	Pistón	
13	359186X1	1	O-Ring	Joint Torique	O-Ring	Junta De Tipo O	
14	3623061M1	1	Ring Piston	Segment De Piston	Kolbenring	Segmento De Pistón	
15	359193X1	1	O-Ring	Joint Torique	O-Ring	Junta De Tipo O	
16	1606735M1	1	Ring Back-Up	Contre Bague	Stützring	ContraJunta	
17	3487207M1	1	O-Ring	Joint Torique	O-Ring	Junta De Tipo O	
18	3484615M1	1	Guide Ring	Anneau	Ring	Aro	
19	3623371M1	1	Gland - Bucket Cylinder	Presse Étoupe	Stopfbuchse	Cojinete	
20	3484055M1	1	Ring Buffer	Anneau	Ring	Aro	
21	3485185M1	1	Seal	Joint D´Arbre	Wellendichtring	Junta	
22	3487015M1	1	Wiper Ring	Anneau	Ring	Aro	
23	339608X1	1	Grease Nipple - M10 X 1 (Zinc)	Nipple De Graissage	Schmiernippel	Engrasador	
24	5004012M91	1	Piston Rod Assy - Nla	Tige De Vérin	Kolbenstange	Vástago Cilindro	
25	#ROD, PISTON	1	Rod, Piston	Rod, Piston	Rod, Piston	Rod, Piston	Ref. 24
26	#BUSHING	1	Bushing	Douille	Busche	Boccola	
27	3623373M91	1	Kit Seal	Jeu Etancheite	Dichtringsatz	Juego De Juntas	

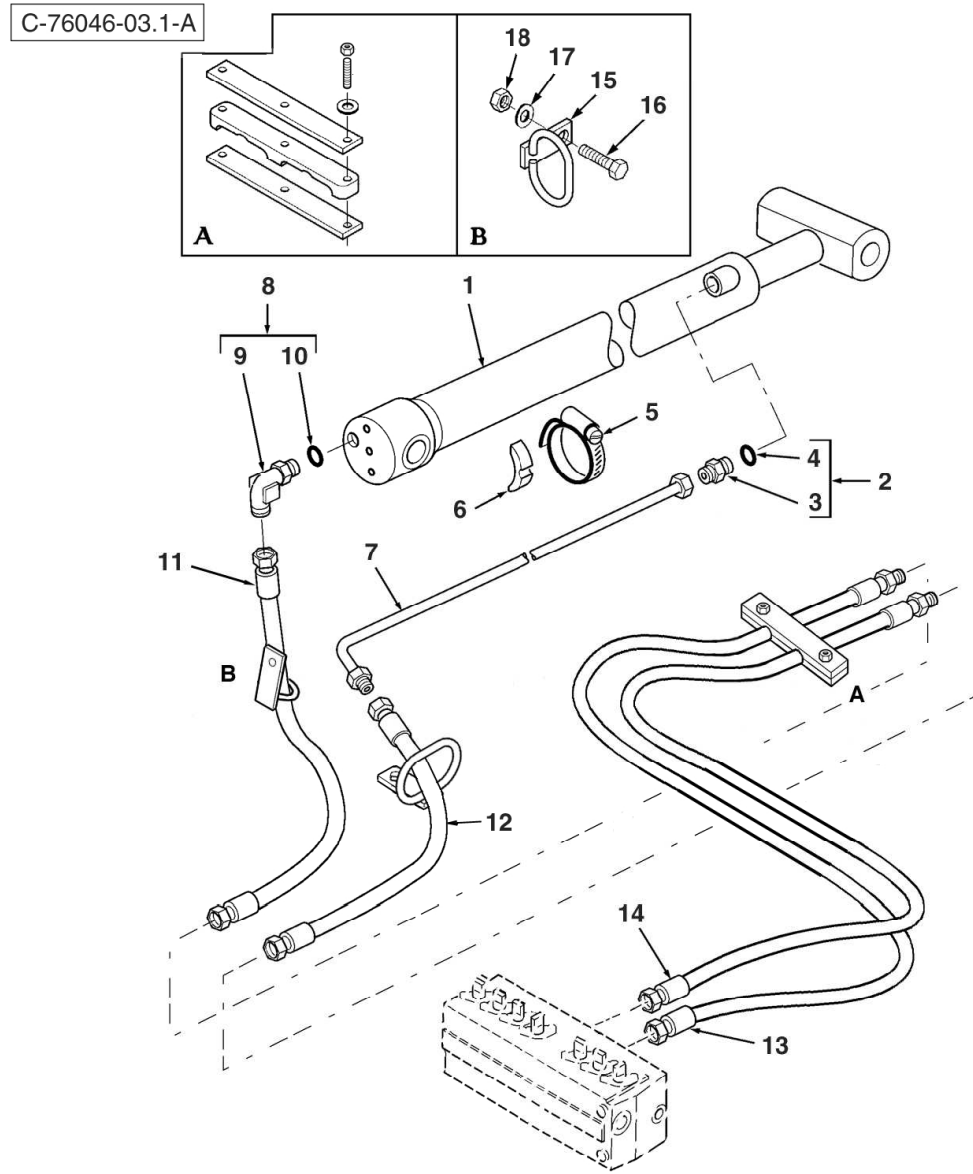


C-76046-02.2-A



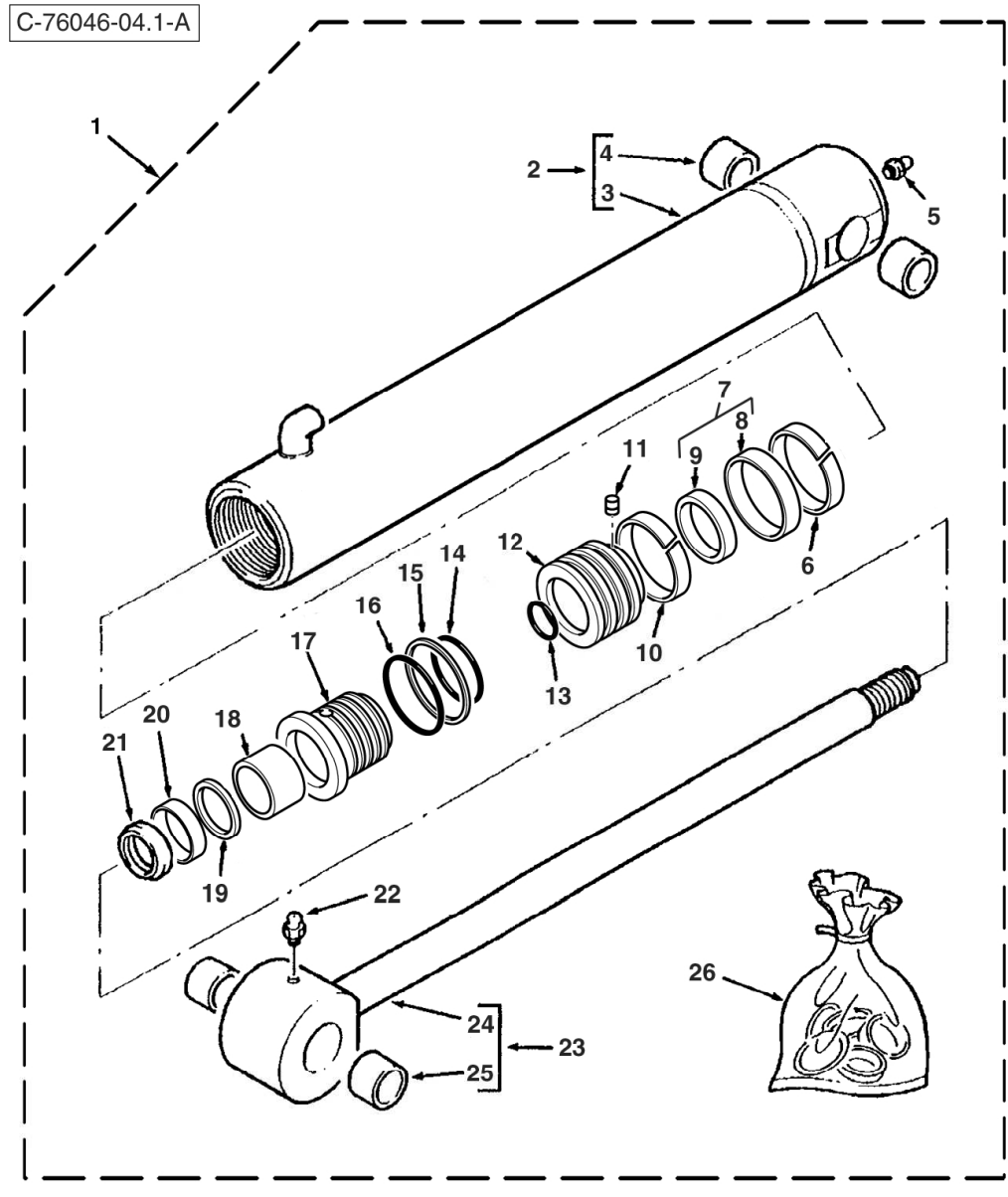
Item	Part No.	Qty.	English	French	German	Spanish	Remarks
1	6111070M91GY03	1	Cylinder- Digger Bucket	Cylindre	Zylinder	Gato, Conj.	Tba [76046c01.1 1]
2	6194629M91	1	Barrel - Cylinder	Corps Cylindre	Zylindergehäuse	Tubo	
3	#TUBE	1	Tube	Tube	Tube	Tube	Ref. 2
4	6194562M1	2	Bush	Douille	Büchse	Casquillo	
5	6194542M1	1	Nipple - Grease	Graisseur Coude	Nippel	Manguito, Engrasador	
6	6194634M1	1	Bearing - Piston	Coussinet	Lager	Teniendo - Pistón	
7	6194635M1	1	Seal - Piston	Joint Étanchéité	Dichtring	Junta	
8	6194636M1	1	O Ring (Std)	Joint Torique	O Ring	Junta De Tipo O	
9	6194634M1	1	Bearing - Piston	Coussinet	Lager	Teniendo - Pistón	
10	6194633M1	1	Set Screw - Hex Socket	Vis Tete Hex	Zylinderschraube	Tornillo De Ajuste	
11	6194631M1	1	Piston	Piston	Kolben	Pistón	
12	6194637M1	1	Ring - Piston	Segment Piston	Kolbenring	Segmento De Pistón	
13	6194625M1	1	Ring - Back Up	Contre Bague	Stutzring	ContraJunta	
14	6194624M1	1	O Ring (Std)	Joint Torique	O Ring	Junta De Tipo O	
15	6194541M1	1	Bush - Bimetal	Douille	Büchse	Juego De Anillos	
16	6194640M1	1	O Ring (Std)	Joint Torique	O Ring	Junta De Tipo O	
17	6194641M1	1	Ring - Back Up	Contre Bague	Stutzring	ContraJunta	
18	6194632M1	1	End Cover - Head	Couvercle	Deckel	Tapa	
19	6194638M1	1	Seal - Rod (Primary)	Joint Étanchéité	Dichtring	Junta	
20	6194639M1	1	Seal- Rod (Secondary)	Joint Étanchéité	Dichtring	Junta	
21	6194554M1	1	Wiper	Essuyeur	Wischer	Raspador, Escobilla	
22	6194630M91	1	Rod - Piston	Bielle De Piston	Pleuelstange	Rod - Pistón	
23	#ROD	1	Rod	Rod	Rod	Rod	Ref. 22
24	6194562M1	2	Bush	Douille	Büchse	Casquillo	
25	6194542M1	1	Nipple - Grease	Graisseur Coude	Nippel	Manguito, Engrasador	
26	6194642M91	0	Seal Kit	Jeu Etancheite	Dichtringsatz	Juego De Juntas	





Item	Part No.	Qty.	English	French	German	Spanish	Remarks
1	#CYLINDER ASSY	1	Cylinder Assy	Cylinder Assy	Cylinder Assy	Cylinder Assy	76046c04.1 1 76046c04.2 1
2	835013M91	1	Connector 7/8 Jic	Raccord	Schraubanschluss	Conexión, Conj.	
3	#UNION	1	Union	Union	Union	Union	Ref. 2
4	835024M1	1	Ring O - Boa	Joint Torique	O Ring	Junta De Tipo O	
5	3517733M1	1	Clamp Hose 130-150	Collier De Serrage	Schlauchbinder	Argolla De Cierre	
6	D142787	1	Saddle (See 142787d)	Selle	Sattel	Bloque De Caucho	
7	#TUBE ASSY	1	Tube Assy	Tube Assy	Tube Assy	Tube Assy	
8	#ELBOW	1	Elbow	Elbow	Elbow	Elbow	
9	#ELBOW	1	Elbow	Elbow	Elbow	Elbow	Ref. 8
10	#O-RING	1	O-Ring	Joint Torique	O-Ring	Junta Tórica	
11	6101738M91	1	Hose-Dipper Head	Flexible Ass.	Schlauch Kplt	Flexible, Conj.	Yellow
12	6101737M91	1	Hose-Dipper Rod	Flexible Ass.	Schlauch Kplt	Flexible, Conj.	Red
13	6102941M91	1	Hose-Dipper Head-Yellow	Flexible Ass.	Schlauch Kplt	Flexible, Conj.	Yellow
14	6102944M91	1	Hose-Dipper Rod	Flexible Ass.	Schlauch Kplt	Flexible, Conj.	Red
15	6101491M92	2	Hose Hoop Assy	Ensemble De Support	Haltevorrichtung Kpl.	Apoyadero, Conj.	
16	339761X1	2	Bolt M8-25 Z5f	Goupille	Bolzen M8 X 25	Tornillo	
17	390972X1	2	Washer M8-17-1 Zwl	Rondelle M8	Scheibe - M8	Arandela	
18	394367X1	2	Nut, Hex. - Nyloc, M8	Ecrou Blocage M8	Flachmutter - M8	Tuerca De Retención	

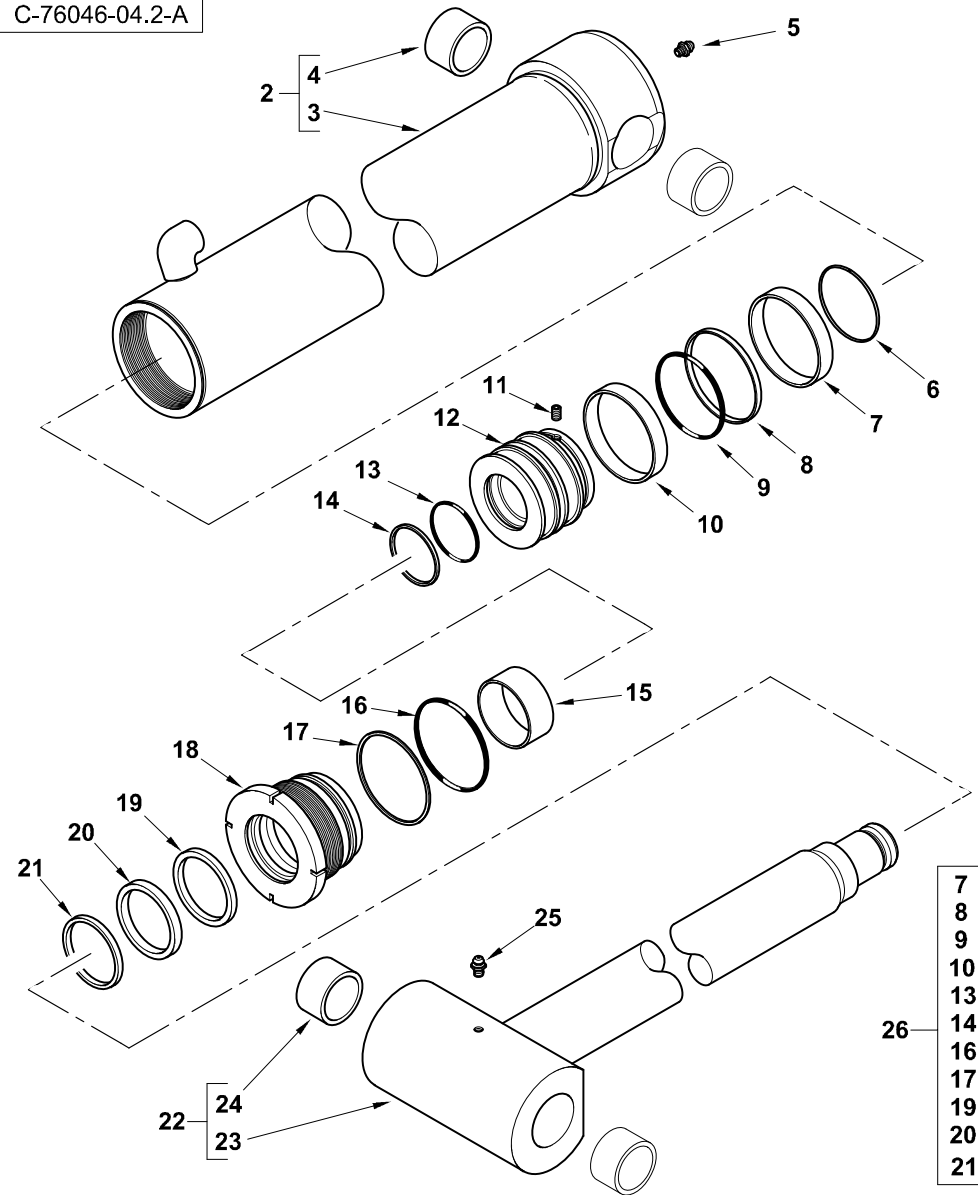




Item	Part No.	Qty.	English	French	German	Spanish	Remarks
1	5000124M91GY02	1	Cylinder Dipperstick (Benford Grey)	L´Hie Hydraulique	Zylinder Hydr.	Gato, Conj.	Tba [76046c03.1 1]
2	5003982M91	1	Barrel Assy. - Dipper Cylinder	Corps Cylindre	Zylindergehäuse	Cilindro	
3	#TUBE, CYLINDER	1	Tube, Cylinder	Tube, Cylinder	Tube, Cylinder	Tube, Cylinder	Ref. 2
4	3484843M1	1	Bush, Hydr. Cylinders	Douille	Buechse	Casquillo	
5	339608X1	1	Grease Nipple - M10 X 1 (Zinc)	Nipple De Graissage	Schmiernippel	Engrasador	
6	3485891M1	1	Guide Ring Piston	Anneau	Ring	Aro	
7	3485247M91	1	Seal Piston	Joint	Dichtung	Junta, Conj.	
8	#SEAL	1	Seal	Joint Étanchéité	Dichtring	Retén	Ref. 7
9	#RING	1	Ring	Anneau	Ring	Aro	Ref. 7
10	3485891M1	1	Guide Ring Piston	Anneau	Ring	Aro	
11	3402928M1	1	Screw, Socket Head - Piston Locating	Vis Tête Hex	Zylinderschraube	Tornillo	
12	5003989M1	1	Piston	Piston	Kolben	Pistón	
13	3007182X1	1	O-Ring	Joint Torique	O-Ring	Junta De Tipo O	
14	359196X1	1	O Ring	Joint Torique	O Ring	Junta De Tipo O	
15	378545X1	1	Ring - Backup	Contre Bague	Stutzring	Aro	
16	3487908M1	1	O Ring, Hydr. Cylinder	Joint Torique	O Ring	Junta De Tipo O	
17	5003988M1	1	Bearing Cylinder	Roulement	Lager	Cojinete	
18	3623193M1	1	Guide Ring	Anneau	Ring	Aro	
19	3443388M1	1	Ring - Back Up	Anneau	Ring	Aro	
20	3443472M1	1	Seal	Joint D´Arbre	Wellendichtring	Junta	
21	3403385M1	1	Wiper Ring	Joint De Racleur	Abstreifdichtung	Junta Raspador	
22	339608X1	1	Grease Nipple - M10 X 1 (Zinc)	Nipple De Graissage	Schmiernippel	Engrasador	
23	5003985M91	1	Piston Rod Assy	Tige De Vérin	Kolbenstange	Vástago Cilindro	
24	#ROD, PISTON	1	Rod, Piston	Rod, Piston	Rod, Piston	Rod, Piston	Ref. 23
25	3484843M1	1	Bush, Hydr. Cylinders	Douille	Buechse	Casquillo	
26	5004401M91	1	Kit Seal	Jeu Étanchéité	Dichtringsatz	Juego De Juntas	



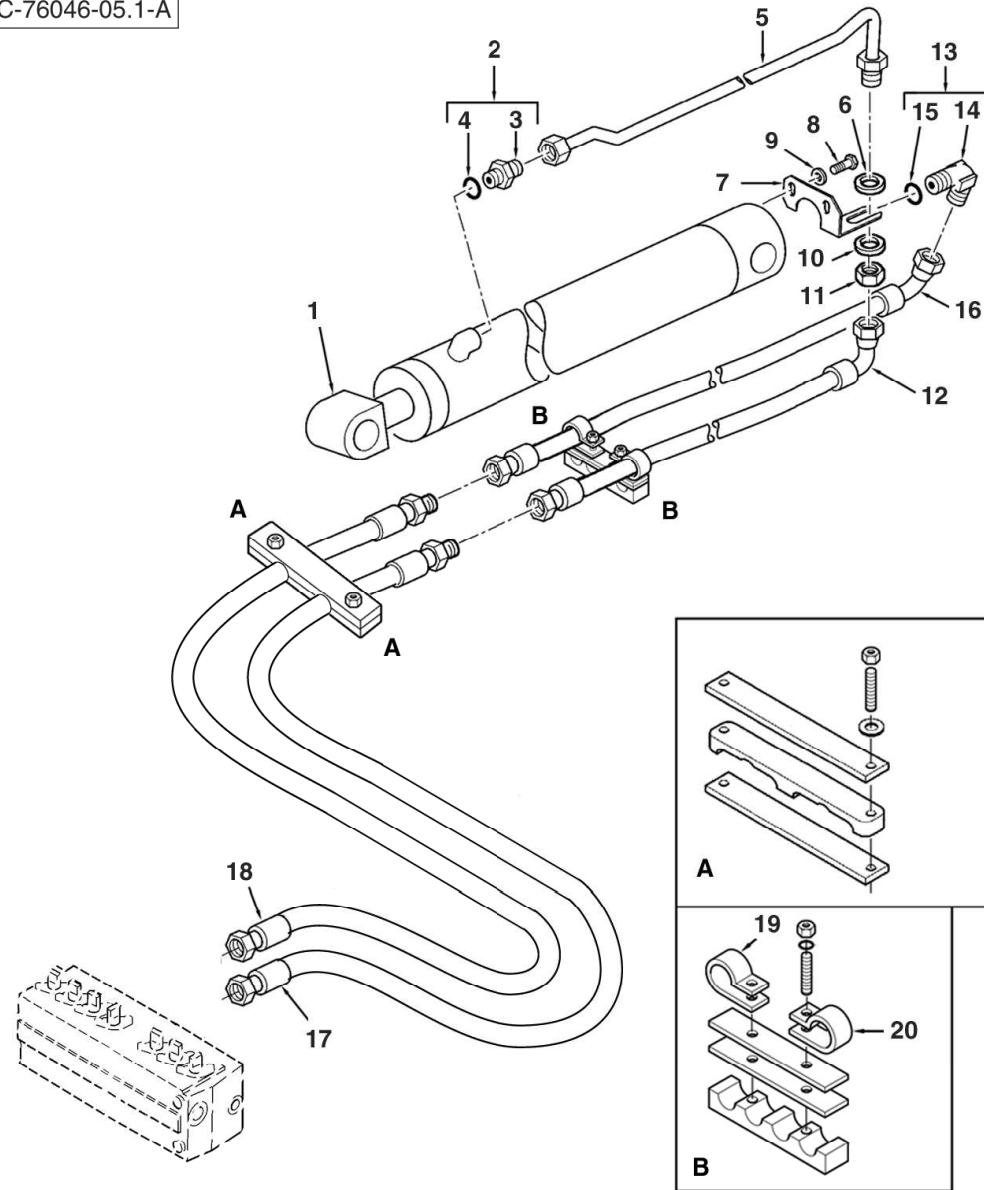
C-76046-04.2-A



Item	Part No.	Qty.	English	French	German	Spanish	Remarks
1	6111069M91GY03	1	Cylinder - Dipperstick	Cylindre	Zylinder	Gato, Conj.	Tba [76046c03.1 1]
2	6194615M91	1	Barrel - Cylinder	Corps Cylindre	Zylindergehäuse	Conjunto De Tubería	
3	#TUBE	1	Tube	Tube	Tube	Tube	Ref. 2
4	6194562M1	2	Bush	Douille	Büchse	Casquillo	
5	6194542M1	1	Nipple - Grease	Graisseur Coude	Nippel	Manguito, Engrasador	
6	6194620M1	1	Ring - Snap	Fermeoir	Sprengring	Anillo De Resorte	
7	6194621M1	1	Bearing - Piston	Coussinet	Lager	Teniendo - Pistón	
8	6194622M1	1	Seal - Piston	Joint Étanchéité	Dichtring	Junta	
9	6194623M1	1	O Ring (Std)	Joint Torique	O Ring	Junta De Tipo O	
10	6194621M1	1	Bearing - Piston	Coussinet	Lager	Teniendo - Pistón	
11	6194619M1	1	Set Screw	Vis	Schraube	Tornillo De Ajuste	
12	6194617M1	1	Piston	Piston	Kolben	Pistón	
13	6194624M1	1	O Ring (Std)	Joint Torique	O Ring	Junta De Tipo O	
14	6194625M1	1	Ring - Back Up	Contre Bague	Stutzring	ContraJunta	
15	6194565M1	1	Bush - Bimetal	Douille	Büchse	Juego De Anillos	
16	6194626M1	1	O Ring (Std)	Joint Torique	O Ring	Junta De Tipo O	
17	6194627M1	1	Ring - Back Up	Contre Bague	Stutzring	ContraJunta	
18	6194618M1	1	End Cover - Head	Couvercle	Deckel	Tapa	
19	6194575M1	1	Seal - Rod (Primary)	Joint Étanchéité	Dichtring	Junta	
20	6194576M1	1	Seal- Rod (Secondary)	Joint Étanchéité	Dichtring	Junta	
21	6194573M1	1	Wiper	Essuyeur	Wischer	Raspador, Escobilla	
22	6194616M91	1	Rod - Piston	Bielle De Piston	Pleuelstange	Rod - Pistón	
23	#ROD	1	Rod	Rod	Rod	Rod	Ref. 22
24	6194562M1	2	Bush	Douille	Büchse	Casquillo	
25	6194542M1	1	Nipple - Grease	Graisseur Coude	Nippel	Manguito, Engrasador	
26	6194628M91	0	Seal Kit	Jeu Etancheite	Dichtringsatz	Juego De Juntas	

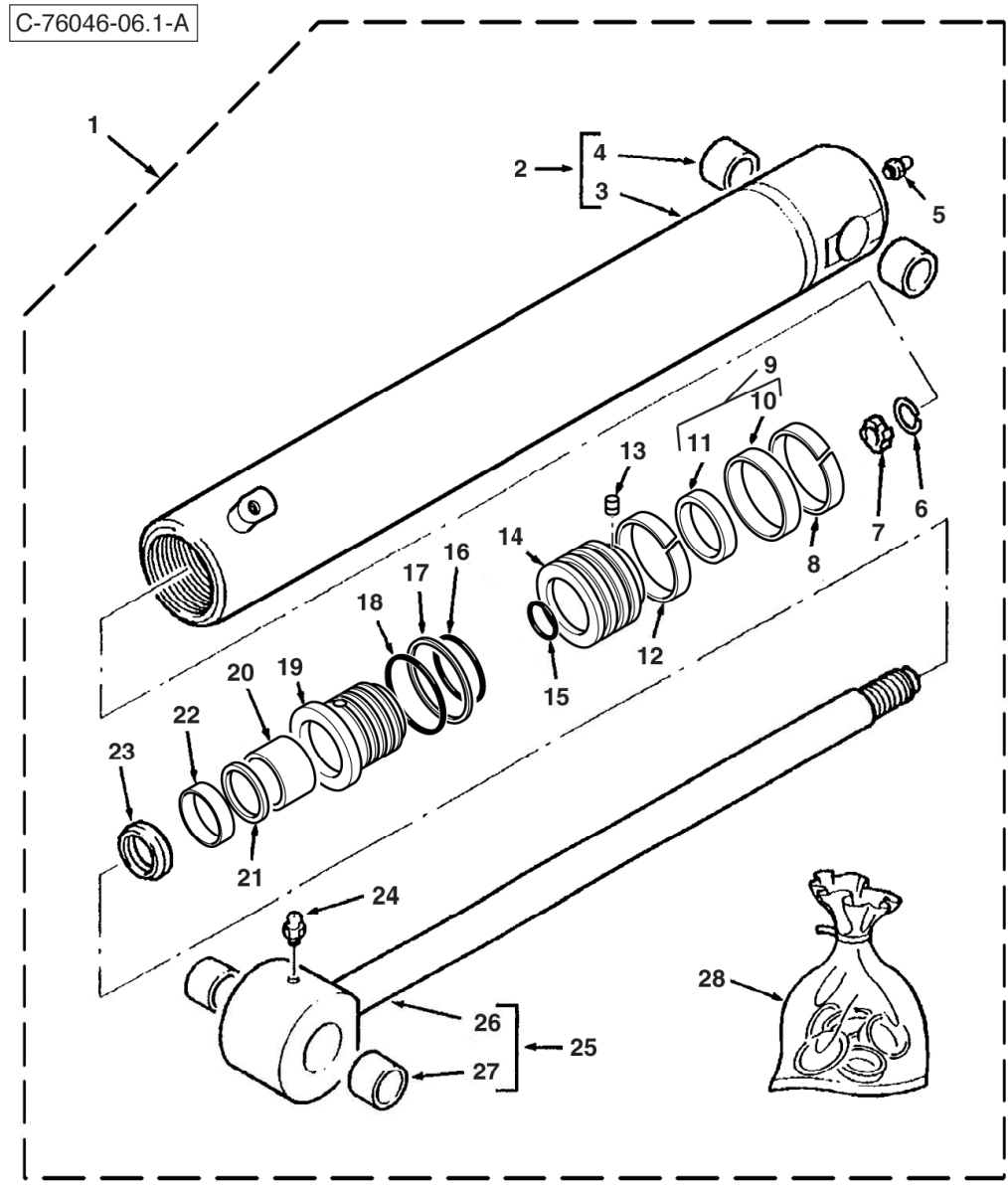


C-76046-05.1-A



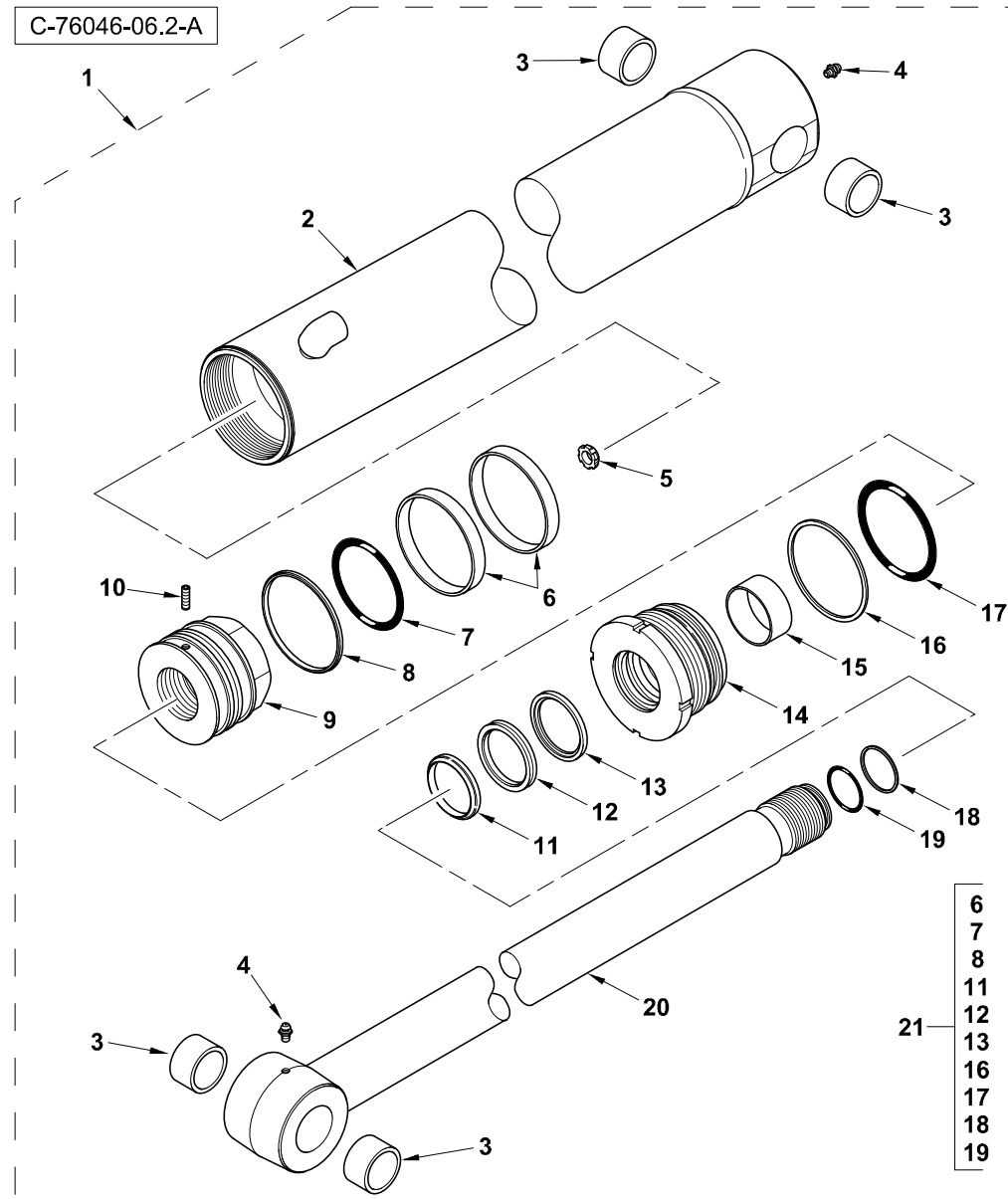
Item	Part No.	Qty.	English	French	German	Spanish	Remarks
1	6111078M91GY03	1	Cylinder Boom 4.5	Cylindre 4.5m	Zylinder 4.5m	Cilindro 4.5m	Wipro
1	5000122M91	1	Cylinder 4.5m B00m - Hi Spec	L' Hie Hydraulique	Zylinder Hydr.	Gato, Conj.	Pacoma
2	835013M91	1	Connector 7/8 Jic	Raccord	Schraubanschluss	Conexión, Conj.	
3	#UNION	1	Union	Union	Union	Union	Ref. 2
4	835024M1	1	Ring O - Boa	Joint Torique	O Ring	Junta De Tipo O	
5	6101956M92	1	Tube Assy - Boom Cyl. 4.5 (Hose Burst)	Tuyauterie	Rohrleitung Kplt	Conjunto De Tubería	Pacoma
5	6111165M92	1	Tube Assy - Boom Cyl. 4.5 (Hose Burst)	Tuyauterie	Rohrleitung Kplt	Conjunto De Tubería	Wipro
6	#WASHER	1	Washer	Rondelle	Unterlegscheibe	Arandela	
7	#BRACKET	1	Bracket	Bracket	Bracket	Bracket	
8	339228X1	2	Bolt, Hex. - M8 X 12 (Coarse)	Boulon M8 X 12	Maschschraube M8	Tornillo	
9	339374X1	2	Washer M8 -21-2 Z	Rondelle Frein - M8	Federring - M8	Arandela De Freno	
10	#WASHER	1	Washer	Rondelle	Unterlegscheibe	Arandela	
11	#NUT	1	Nut	Ecrou	Mutter	Tuerca	
12	#HOSE ASSY	1	Hose Assy	Hose Assy	Hose Assy	Hose Assy	Orange
13	#ELBOW	1	Elbow	Elbow	Elbow	Elbow	
14	#ELBOW	1	Elbow	Elbow	Elbow	Elbow	Ref. 13
15	#O-RING	1	O-Ring	Joint Torique	O-Ring	Junta Tórica	
16	6101736M92	1	Hose, "Blue" - Boom Cylinder Feed	Flexible	Schlauch	Flexible, Conj.	Blue
17	6102943M91	1	Hose-Boom Rod-Orange	Flexible Ass.	Schlauch Kplt	Flexible, Conj.	Orange
18	6102940M91	1	Hose-Boom Head-Blue	Flexible Ass.	Schlauch Kplt	Flexible, Conj.	Blue
19	515-23270	1	Clip-Coated P	Clip	Klips	Clip	
20	515-23206	1	P Clip Bsr081hs	Bride Pour Tutaux	Schlauchschelle	Abrazadera De Manguera	





Item	Part No.	Qty.	English	French	German	Spanish	Remarks
1	5000122M91	1	Cylinder 4.5m B00m - Hi Spec	L´Hie Hydraulique	Zylinder Hydr.	Gato, Conj.	76046c05.1 1
2	5003912M91	1	Barrel Assy	Cylindre	Zylinder	Cilindro	
3	#TUBE, CYLINDER	1	Tube, Cylinder	Tube, Cylinder	Tube, Cylinder	Tube, Cylinder	Ref. 2
4	#BUSHING	2	Bushing	Douille	Busche	Boccola	
5	339608X1	1	Grease Nipple - M10 X 1 (Zinc)	Nipple De Graissage	Schmiernippel	Engrasador	
6	1609899M1	1	Snap Ring	Anneau D´Arrêt	Sprengring	Anillo De Resorte	
7	1609328M1	1	Ring Cushioning	Anneau	Ring	Aro	
8	3403852M1	1	Ring, Guide - Piston	Anneau	Ring	Aro	
9	3485213M91	1	Seal Piston	Joint	Dichtung	Junta, Conj.	
10	#SEAL	1	Seal	Joint Étanchéité	Dichtring	Retén	Ref. 9
11	#SEAL	1	Seal	Joint Étanchéité	Dichtring	Retén	Ref. 9
12	3403852M1	1	Ring, Guide - Piston	Anneau	Ring	Aro	
13	3402928M1	1	Screw, Socket Head - Piston Locating	Vis Tête Hex	Zylinderschraube	Tornillo	
14	3484189M1	1	Piston	Piston	Kolben	Pistón	
15	3007182X1	1	O-Ring	Joint Torique	O-Ring	Junta De Tipo O	
16	359203X1	1	O-Ring	Joint Torique	O-Ring	Junta De Tipo O	
17	367120X1	1	Back-Up Ring	Contre Bague	Stützring	Aro	
18	3487909M1	1	O-Ring	Joint Torique	O-Ring	Junta De Tipo O	
19	3623202M1	1	Bearing	Roulement	Lager	Cojinete	
20	3623193M1	1	Guide Ring	Anneau	Ring	Aro	
21	3443388M1	1	Ring - Back Up	Anneau	Ring	Aro	
22	3443472M1	1	Seal	Joint D´Arbre	Wellendichtring	Junta	
23	3403385M1	1	Wiper Ring	Joint De Racleur	Abstreifdichtung	Junta Raspador	
24	339608X1	1	Grease Nipple - M10 X 1 (Zinc)	Nipple De Graissage	Schmiernippel	Engrasador	
25	3441629M91	1	Piston Rod Assy	Tige De Vérin	Kolbenstange	Vástago Cilindro	
26	#ROD, PISTON	1	Rod, Piston	Rod, Piston	Rod, Piston	Rod, Piston	Ref. 25
27	3484843M1	1	Bush, Hydr. Cylinders	Douille	Buechse	Casquillo	
28	3623589M91	1	Kit, Seal - Hydraulic Cylinder	Jeu Etancheite	Dichtringsatz	Juego De Juntas	

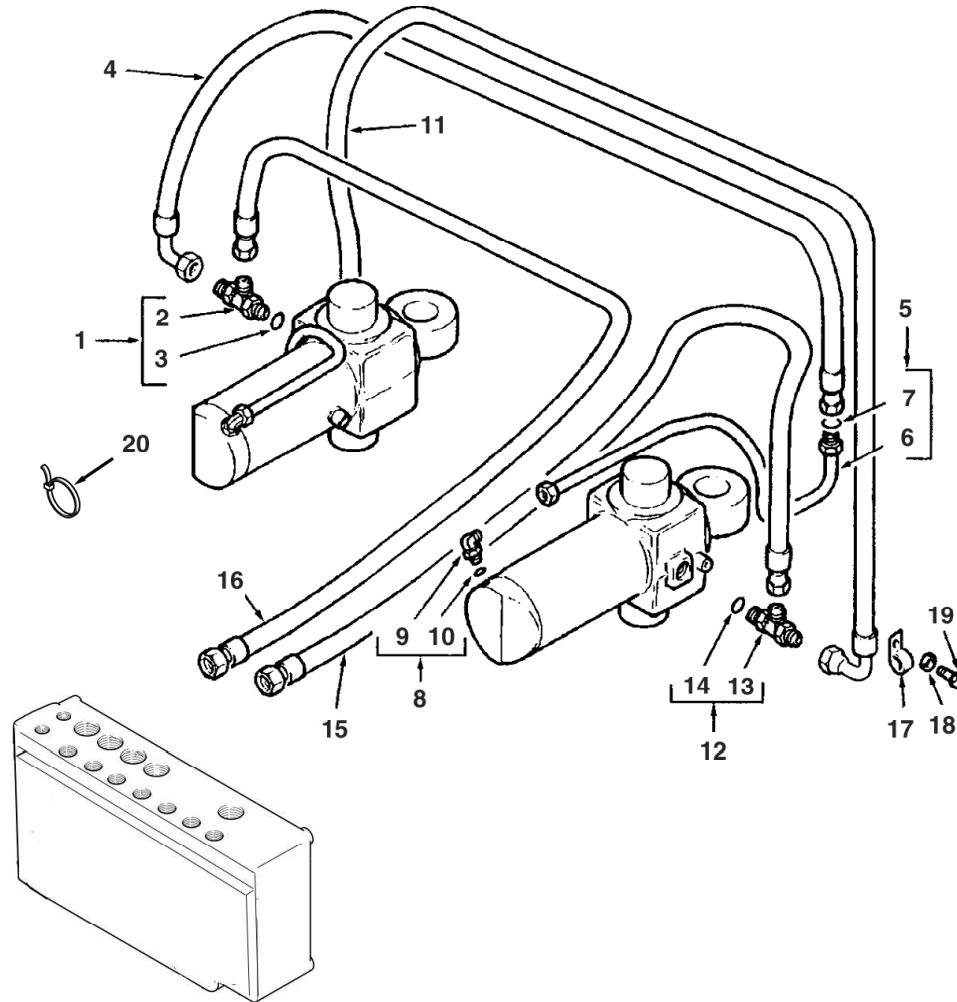




Item	Part No.	Qty.	English	French	German	Spanish	Remarks
1	6111078M91GY03	1	Cylinder Boom 4.5	Cylindre 4.5m	Zylinder 4.5m	Cilindro 4.5m	
2	6195249M91GY03	1	Tube - S/A (Terex Grey)	Tube - S/A (Terex Grey)	Tube - S/A (Terex Grey)	Tube - S/A (Terex Grey)	
3	6195253M1	4	Bush	Douille	Buchse	Casquillo	
4	6195255M1	2	Grease Nipple	Grease Nipple	Grease Nipple	Grease Nipple	
5	6195235M1	1	Ring - Cushion	Ring - Cushion	Ring - Cushion	Ring - Cushion	
6	6195259M1	2	Bearing - Piston	Bearing - Piston	Bearing - Piston	Bearing - Piston	
7	6195258M1	1	O - Ring	O - Ring	O - Ring	O - Ring	
8	6195257M1	1	Seal - Piston	Seal - Piston	Seal - Piston	Seal - Piston	
9	6195251M1	1	Piston	Piston	Piston	Piston	
10	6195254M1	1	Set Screw - Hex. Socket	Set Screw - Hex. Socket	Set Screw - Hex. Socket	Set Screw - Hex. Socket	
11	6194573M1	1	Wiper	Essuyeur	Wischer	Raspador, Escobilla	
12	6195262M1	1	Seal - Rod (Secondary)	Seal - Rod (Secondary)	Seal - Rod (Secondary)	Seal - Rod (Secondary)	
13	6194575M1	1	Seal - Rod (Primary)	Joint Étanchéité	Dichtring	Junta	
14	6195252M1	1	Cover - H.E.	Cover - H.E.	Cover - H.E.	Cover - H.E.	
15	6195256M1	1	Bush - Bimetal	Bush - Bimetal	Bush - Bimetal	Bush - Bimetal	
16	6195261M1	1	Ring - Back Up	Ring - Back Up	Ring - Back Up	Ring - Back Up	
17	6195260M1	1	O - Ring	O - Ring	O - Ring	O - Ring	
18	6194570M1	1	Ring - Back Up	Contre Bague	Stutzring	ContraJunta	
19	6195247M1	1	O - Ring	O - Ring	O - Ring	O - Ring	
20	6195250M91	1	Piston Rod - S/A	Piston Rod - S/A	Piston Rod - S/A	Piston Rod - S/A	
21	6195263M91	1	Seal Kit	Jeu Etancheite	Dichtringsatz	Juego Retenes	



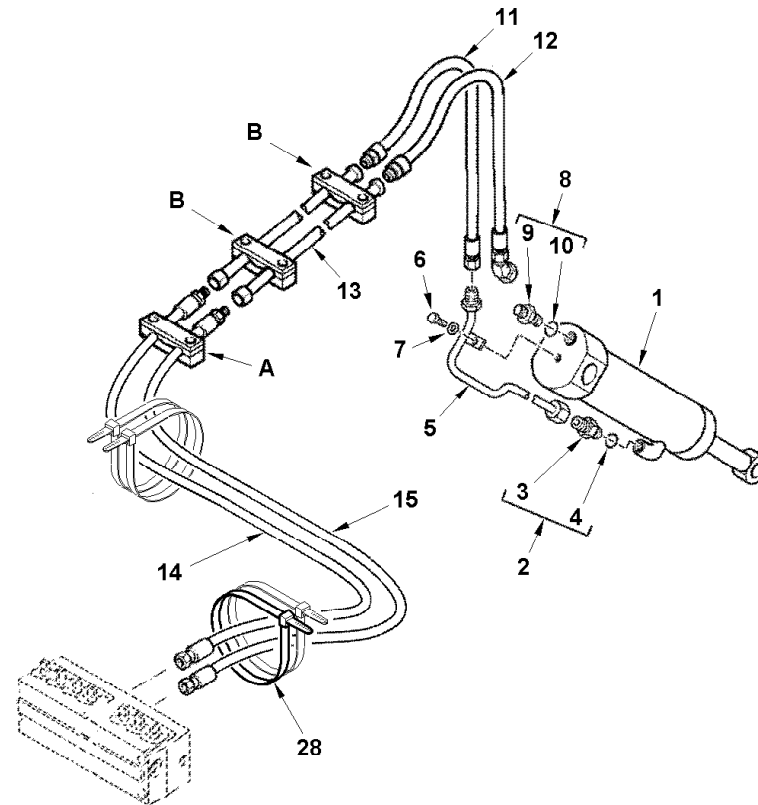
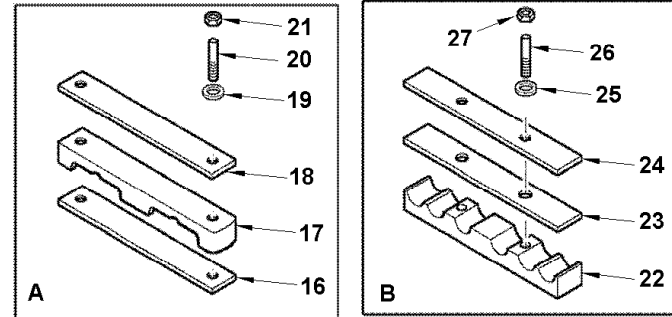
C-76046-07.1-A



Item	Part No.	Qty.	English	French	German	Spanish	Remarks
1	358728X91	1	Tee	Te	T-Stück	Te	
2	#TEE	1	Tee	Tee	Tee	Tee	Ref. 1
3	831497M1	1	O-Ring	Joint Torique	O-Ring	Junta De Tipo O	
4	6100716M91	1	Hose Slew Trsfr	Flexible Ass.	Schlauch Kplt	Flexible, Conj.	
5	6111175M92	1	Tube Assy Slew	Ensemble Tube	Rohr Kpl	Conj.De Tubo	RH Wipro
5	6100589M91	1	Tube Slew Trsf RH	Tuyauterie	Rohrleitung Kplt	Conjunto De Tubería	Pacoma
5	6100587M91	1	Tube Slew Trsf LH	Tuyauterie	Rohrleitung Kplt	Conjunto De Tubería	Pacoma
5	6111174M92	1	Tube Assy Slew	Ensemble Tube	Rohr Kpl	Conj. De Tubo	LH Wipro
6	#TUBE	1	Tube	Tube	Tube	Tube	Ref. 5
7	394923X1	1	O Ring	Joint Torique	O Ring	Junta De Tipo O	
8	357197X91	2	Elbow & O Ring	Coude	Kniestück, 90°	Codo, 90°	
9	#ELBOW	1	Elbow	Elbow	Elbow	Elbow	Ref. 8
10	831452M1	1	O Ring (Pack Of 10)	Joint Torique	O Ring	Junta De Tipo O	
11	6100716M91	1	Hose Slew Trsfr	Flexible Ass.	Schlauch Kplt	Flexible, Conj.	
12	358728X91	1	Tee	Te	T-Stück	Te	
13	#TEE	1	Tee	Tee	Tee	Tee	Ref. 12
14	831497M1	1	O-Ring	Joint Torique	O-Ring	Junta De Tipo O	
15	6100715M92	1	Hose-Digger-Green	Flexible Ass.	Schlauch Kplt	Flexible, Conj.	Purple
16	6101866M93	1	Hose-Digger-Green	Flexible Ass.	Schlauch Kplt	Flexible, Conj.	Green
17	3517114M2	2	P - Clip	Collier De Fixation	Befestigungsschelle	Argolla De Fijación	
18	385361X1	2	Washer M8 Hardened	Rondelle M8	Scheibe M8	Arandela	
19	339228X1	2	Bolt, Hex. - M8 X 12 (Coarse)	Boulon M8 X 12	Maschschraube M8	Tornillo	
20	1862425M1	1	Tie 385mm T50I	Attache Cable	Kabelbinder	Enlace De Cable	

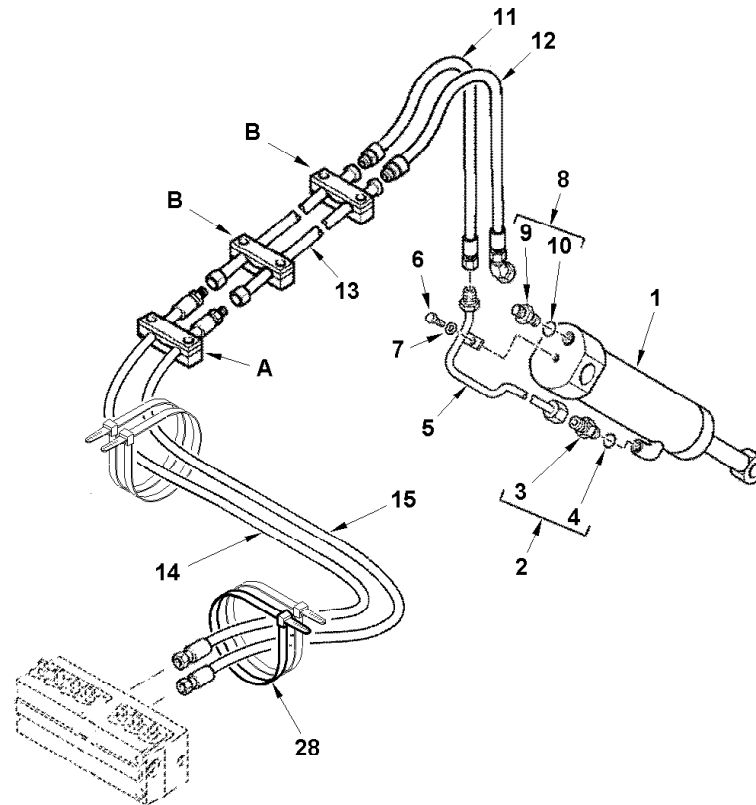
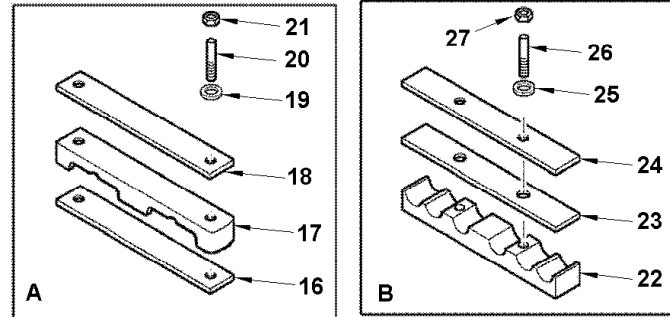


C-76047-01.1-B



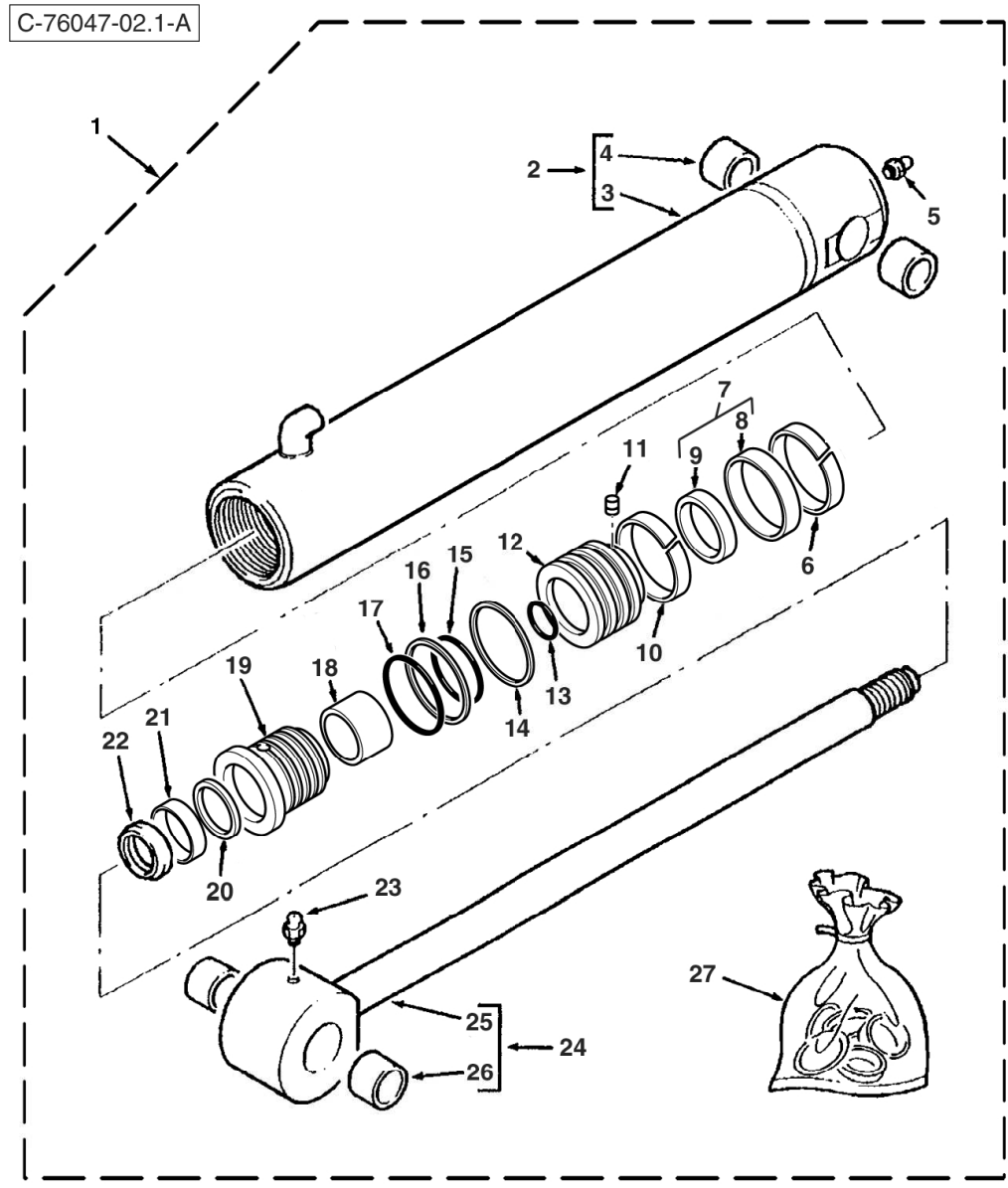
Item	Part No.	Qty.	English	French	German	Spanish	Remarks
1	#CYLINDER ASSY	1	Cylinder Assy	Cylinder Assy	Cylinder Assy	Cylinder Assy	76047c02.1 1 76047c02.2 1
2	835013M91	1	Connector 7/8 Jic	Raccord	Schraubanschluss	Conexión, Conj.	
3	#UNION	1	Union	Union	Union	Union	Ref. 2
4	835024M1	1	Ring O - Boa	Joint Torique	O Ring	Junta De Tipo O	
5	6101540M91	1	Tube Assy Bucket	Tuyauterie	Rohrleitung Kplt	Conjunto De Tubería	Tba Pacoma
5	6111161M91	1	Tube Assembly - Digger Bucket Cylinder	Tuyauterie	Rohrleitung Kplt	Conjunto De Tubería	Tba Wipro
6	339123X1	1	Bolt M8-20 Z5f	Boulon M8 X 20	Maschschraube M8	Perno	
7	385361X1	1	Washer M8 Hardened	Rondelle M8	Scheibe M8	Arandela	
8	835010M91	1	Elbow 45 Adj 7/8unf	Coude 135°	Winkelstück	Codo, 45°	
9	#ELBOW	1	Elbow	Elbow	Elbow	Elbow	Ref. 8
10	835024M1	1	Ring O - Boa	Joint Torique	O Ring	Junta De Tipo O	
11	#HOSE ASSY	1	Hose Assy	Hose Assy	Hose Assy	Hose Assy	Brown
12	#HOSE ASSY	1	Hose Assy	Hose Assy	Hose Assy	Hose Assy	White
13	6101771M91	2	Tube-Bucket-4.5m Boom	Tuyauterie	Rohrleitung Kplt	Conjunto De Tubería	Ec05/328
13	6111137M91	2	Tube Assy - Bkt 4.5m Boom	Ensemble Tube	Rohr Kpl	Conjunto De Tubería	Ec05/328
14	6111143M91	1	Hose Assy - Bucket Rod (Brown C/Mount)	Ensemble Durit	Schlauch Kpl	Flexible, Conj.	Brown Ec05/328
14	6102945M91	1	Hose-Bucket Rod-Brown	Flexible Ass.	Schlauch Kplt	Flexible, Conj.	Brown Ec05/328
15	6111144M91	1	Hose Assy- Bucket HD (White Centremount)	Ensemble Durit	Schlauch Kpl	Flexible, Conj.	White Ec05/328
15	6102942M91	1	Hose-Bucket Head-White	Flexible Ass.	Schlauch Kplt	Flexible, Conj.	White Ec05/328
16	6102128M1	1	Pad-Neoprene	Plaque Antidérapante	Zwischenlage	Cinta Antideslizante	
17	6102122M1	1	Clamp	Collier De Serrage	Klemme	Brida De Fijación	
18	6102130M1	1	Plate-Clamp	Plaque	Platte	Placa	
19	390972X1	2	Washer M8-17-1 Zwl	Rondelle M8	Scheibe - M8	Arandela	
20	3516075M1	2	Stud M8-65 Z5	Goujon	Stehbolzen	Espárrago	
21	394367X1	2	Nut, Hex. - Nyloc, M8	Ecrou Blocage M8	Flachmutter - M8	Tuerca De Retención	
22	6102126M1	2	Clamp	Collier De Serrage	Klemme	Brida De Fijación	
23	6102145M1	2	Pad-Neoprene	Plaque Antidérapante	Zwischenlage	Cinta Antideslizante	
24	6102124M1	2	Plate-Top	Plaque	Platte	Placa	
25	390972X1	4	Washer M8-17-1 Zwl	Rondelle M8	Scheibe - M8	Arandela	
26	6108049M1	4	Stud M8	Goujon	Stehbolzen	Espárrago	

C-76047-01.1-B



Item	Part No.	Qty.	English	French	German	Spanish	Remarks
27	394367X1	4	Nut, Hex. - Nyloc, M8	Ecrou Blocage M8	Flachmutter - M8	Tuerca De Retención	
28	8000-1379	4	Tie Wrap (530 X 13mm)	Bride	Buegel	Banda	

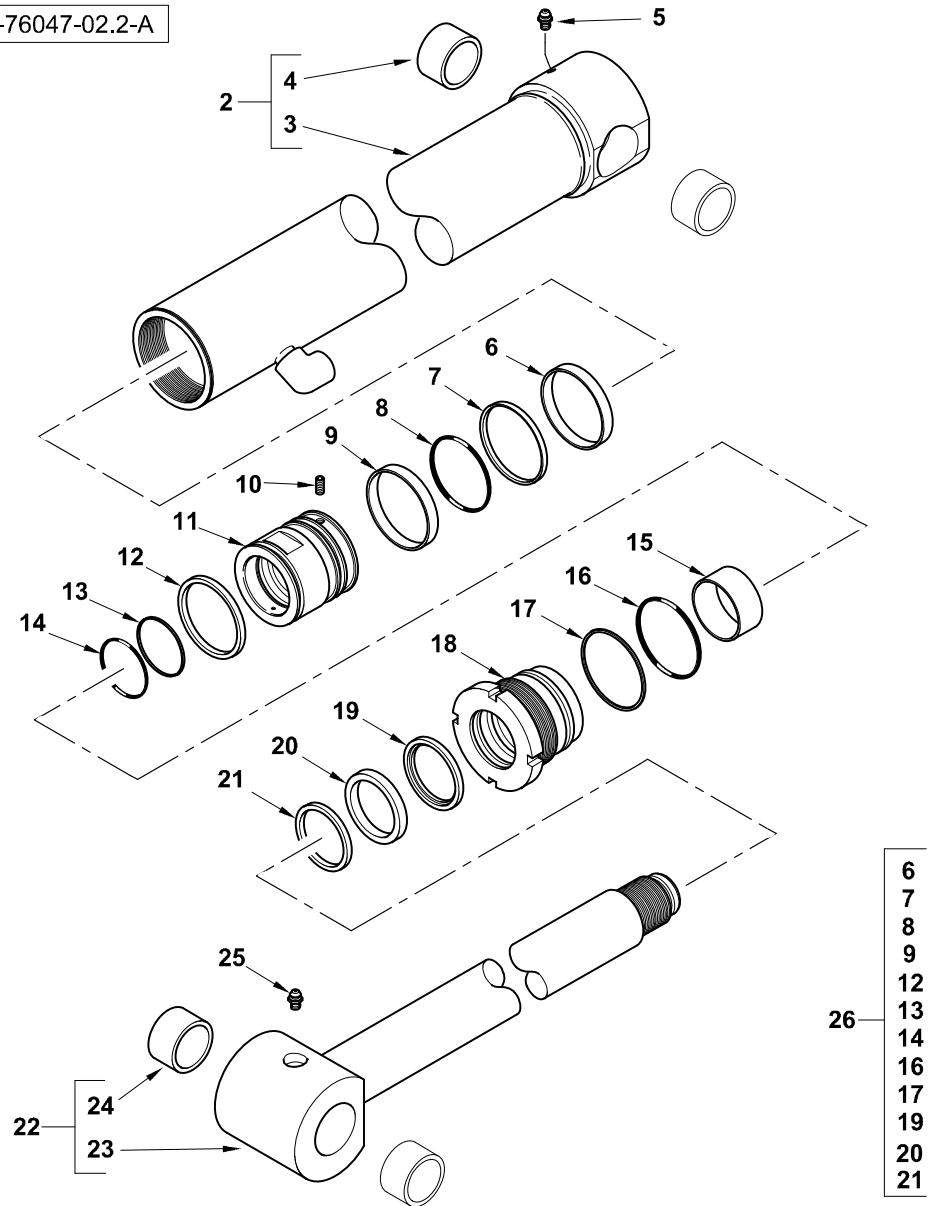




Item	Part No.	Qty.	English	French	German	Spanish	Remarks
1	5000126M91GY02	1	Cylinder Digger Bucket (Benford Grey)	L´Hie Hydraulique	Zylinder Hydr.	Gato, Conj.	Tba [76047c01.1 1]
2	5004008M91	1	Barrel Assy	Cylindre	Zylinder	Cilindro	
3	#TUBE, CYLINDER	1	Tube, Cylinder	Tube, Cylinder	Tube, Cylinder	Tube, Cylinder	Ref. 2
4	#BUSHING	1	Bushing	Douille	Busche	Boccola	
5	339608X1	1	Grease Nipple - M10 X 1 (Zinc)	Nipple De Graissage	Schmiernippel	Engrasador	
6	3485892M1	1	Guide Ring Piston	Bague D´Étanchéité	Dichtungsring	Anillo, Estanqueidad	
7	3485245M91	1	Seal Assy Piston	Joint Ass.	Dichtung Kplt	Junta, Conj.	
8	#SEAL	1	Seal	Joint Étanchéité	Dichtring	Retén	Ref. 7
9	#RING	1	Ring	Anneau	Ring	Aro	Ref. 7
10	3485892M1	1	Guide Ring Piston	Bague D´Étanchéité	Dichtungsring	Anillo, Estanqueidad	
11	3402928M1	1	Screw, Socket Head - Piston Locating	Vis Tête Hex	Zylinderschraube	Tornillo	
12	3623372M1	1	Piston	Piston	Kolben	Pistón	
13	359186X1	1	O-Ring	Joint Torique	O-Ring	Junta De Tipo O	
14	3623061M1	1	Ring Piston	Segment De Piston	Kolbenring	Segmento De Pistón	
15	359193X1	1	O-Ring	Joint Torique	O-Ring	Junta De Tipo O	
16	1606735M1	1	Ring Back-Up	Contre Bague	Stützring	ContraJunta	
17	3487207M1	1	O-Ring	Joint Torique	O-Ring	Junta De Tipo O	
18	3484615M1	1	Guide Ring	Anneau	Ring	Aro	
19	3623371M1	1	Gland - Bucket Cylinder	Presse Étoupe	Stopfbuchse	Cojinete	
20	3484055M1	1	Ring Buffer	Anneau	Ring	Aro	
21	3485185M1	1	Seal	Joint D´Arbre	Wellendichtring	Junta	
22	3487015M1	1	Wiper Ring	Anneau	Ring	Aro	
23	339608X1	1	Grease Nipple - M10 X 1 (Zinc)	Nipple De Graissage	Schmiernippel	Engrasador	
24	5004012M91	1	Piston Rod Assy - Nla	Tige De Vérin	Kolbenstange	Vástago Cilindro	
25	#ROD, PISTON	1	Rod, Piston	Rod, Piston	Rod, Piston	Rod, Piston	Ref. 24
26	#BUSHING	1	Bushing	Douille	Busche	Boccola	
27	3623373M91	1	Kit Seal	Jeu Etancheite	Dichtringsatz	Juego De Juntas	

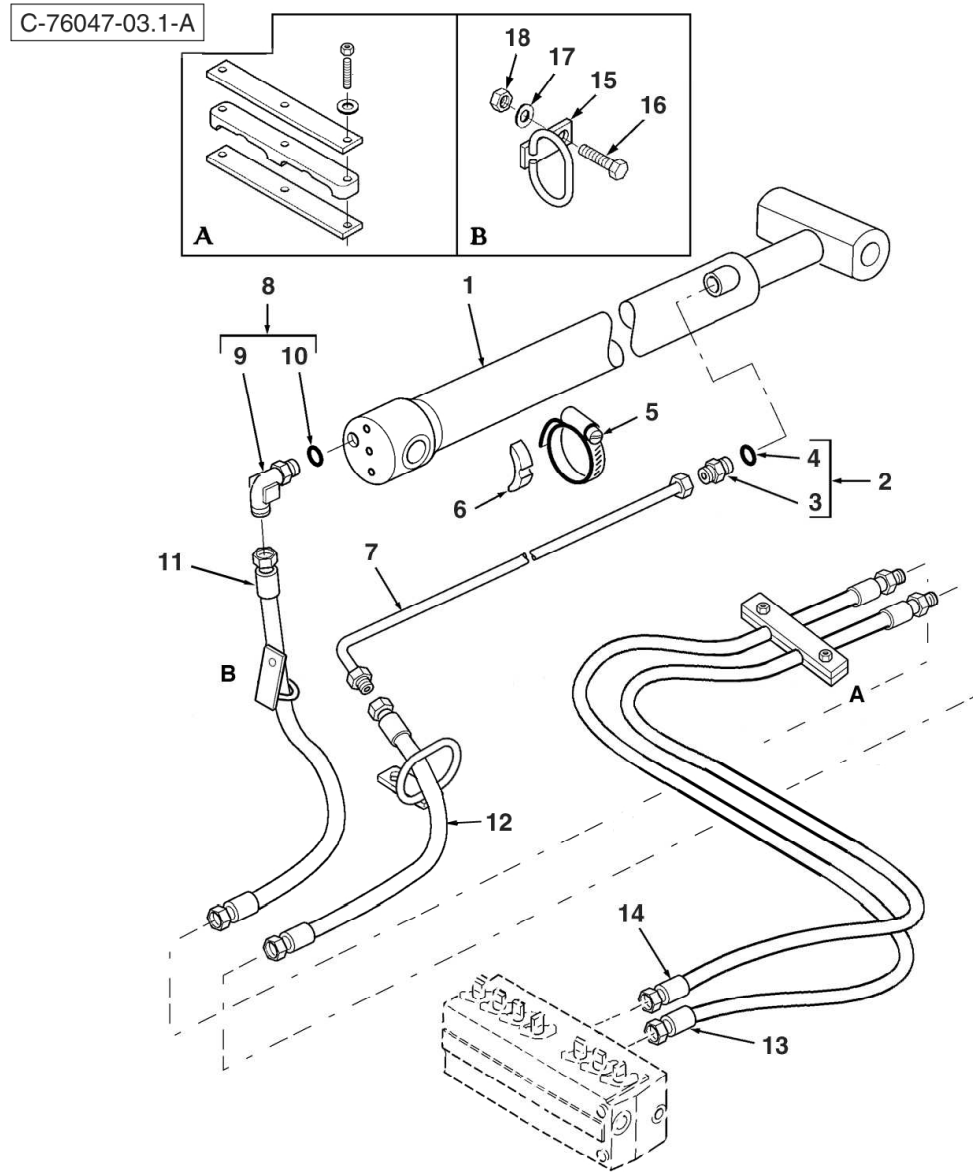


C-76047-02.2-A



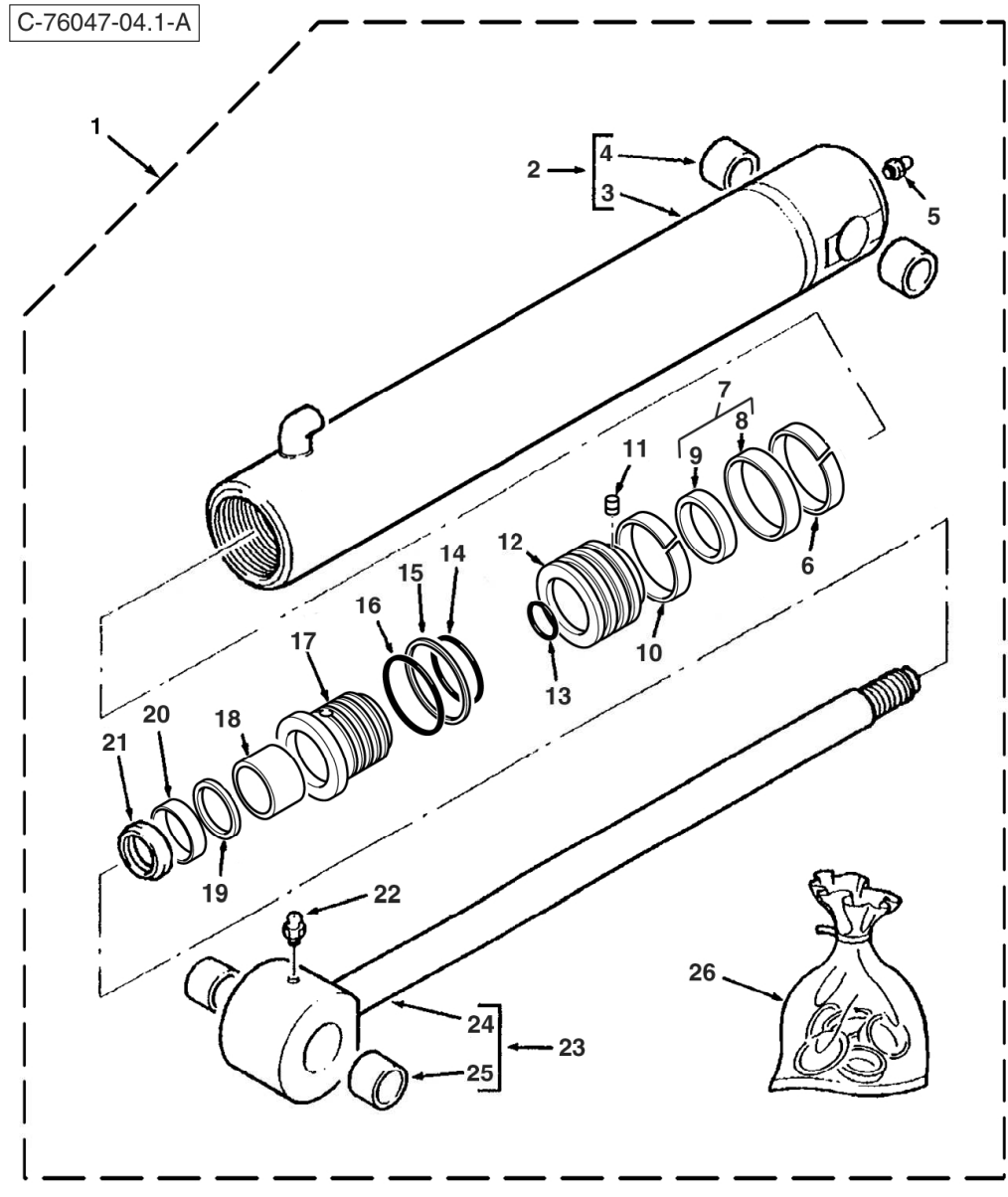
Item	Part No.	Qty.	English	French	German	Spanish	Remarks
1	6111070M91GY03	1	Cylinder- Digger Bucket	Cylindre	Zylinder	Gato, Conj.	Tba [76047c01.1 1]
2	6194629M91	1	Barrel - Cylinder	Corps Cylindre	Zylindergehäuse	Tubo	
3	#TUBE	1	Tube	Tube	Tube	Tube	Ref. 2
4	6194562M1	2	Bush	Douille	Büchse	Casquillo	
5	6194542M1	1	Nipple - Grease	Graisseur Coude	Nippel	Manguito, Engrasador	
6	6194634M1	1	Bearing - Piston	Coussinet	Lager	Teniendo - Pistón	
7	6194635M1	1	Seal - Piston	Joint Étanchéité	Dichtring	Junta	
8	6194636M1	1	O Ring (Std)	Joint Torique	O Ring	Junta De Tipo O	
9	6194634M1	1	Bearing - Piston	Coussinet	Lager	Teniendo - Pistón	
10	6194633M1	1	Set Screw - Hex Socket	Vis Tete Hex	Zylinderschraube	Tornillo De Ajuste	
11	6194631M1	1	Piston	Piston	Kolben	Pistón	
12	6194637M1	1	Ring - Piston	Segment Piston	Kolbenring	Segmento De Pistón	
13	6194625M1	1	Ring - Back Up	Contre Bague	Stutzring	ContraJunta	
14	6194624M1	1	O Ring (Std)	Joint Torique	O Ring	Junta De Tipo O	
15	6194541M1	1	Bush - Bimetal	Douille	Büchse	Juego De Anillos	
16	6194640M1	1	O Ring (Std)	Joint Torique	O Ring	Junta De Tipo O	
17	6194641M1	1	Ring - Back Up	Contre Bague	Stutzring	ContraJunta	
18	6194632M1	1	End Cover - Head	Couvercle	Deckel	Tapa	
19	6194638M1	1	Seal - Rod (Primary)	Joint Étanchéité	Dichtring	Junta	
20	6194639M1	1	Seal- Rod (Secondary)	Joint Étanchéité	Dichtring	Junta	
21	6194554M1	1	Wiper	Essuyeur	Wischer	Raspador, Escobilla	
22	6194630M91	1	Rod - Piston	Bielle De Piston	Pleuelstange	Rod - Pistón	
23	#ROD	1	Rod	Rod	Rod	Rod	Ref. 22
24	6194562M1	2	Bush	Douille	Büchse	Casquillo	
25	6194542M1	1	Nipple - Grease	Graisseur Coude	Nippel	Manguito, Engrasador	
26	6194642M91	0	Seal Kit	Jeu Etancheite	Dichtringsatz	Juego De Juntas	





Item	Part No.	Qty.	English	French	German	Spanish	Remarks
1	#CYLINDER ASSY	1	Cylinder Assy	Cylinder Assy	Cylinder Assy	Cylinder Assy	76047c04.1 1 76047c04.2 1
2	835013M91	1	Connector 7/8 Jic	Raccord	Schraubanschluss	Conexión, Conj.	
3	#UNION	1	Union	Union	Union	Union	Ref. 2
4	835024M1	1	Ring O - Boa	Joint Torique	O Ring	Junta De Tipo O	
5	3517733M1	1	Clamp Hose 130-150	Collier De Serrage	Schlauchbinder	Argolla De Cierre	
6	D142787	1	Saddle (See 142787d)	Selle	Sattel	Bloque De Caucho	
7	#TUBE ASSY	1	Tube Assy	Tube Assy	Tube Assy	Tube Assy	
8	#ELBOW	1	Elbow	Elbow	Elbow	Elbow	
9	#ELBOW	1	Elbow	Elbow	Elbow	Elbow	Ref. 8
10	#O-RING	1	O-Ring	Joint Torique	O-Ring	Junta Tórica	
11	6101738M91	1	Hose-Dipper Head	Flexible Ass.	Schlauch Kplt	Flexible, Conj.	Yellow
12	6101737M91	1	Hose-Dipper Rod	Flexible Ass.	Schlauch Kplt	Flexible, Conj.	Red
13	6102941M91	1	Hose-Dipper Head-Yellow	Flexible Ass.	Schlauch Kplt	Flexible, Conj.	Yellow
14	6102944M91	1	Hose-Dipper Rod	Flexible Ass.	Schlauch Kplt	Flexible, Conj.	Red
15	6101491M92	2	Hose Hoop Assy	Ensemble De Support	Haltevorrichtung Kpl.	Apoyadero, Conj.	
16	339761X1	2	Bolt M8-25 Z5f	Goupille	Bolzen M8 X 25	Tornillo	
17	390972X1	2	Washer M8-17-1 Zwl	Rondelle M8	Scheibe - M8	Arandela	
18	394367X1	2	Nut, Hex. - Nyloc, M8	Ecrou Blocage M8	Flachmutter - M8	Tuerca De Retención	

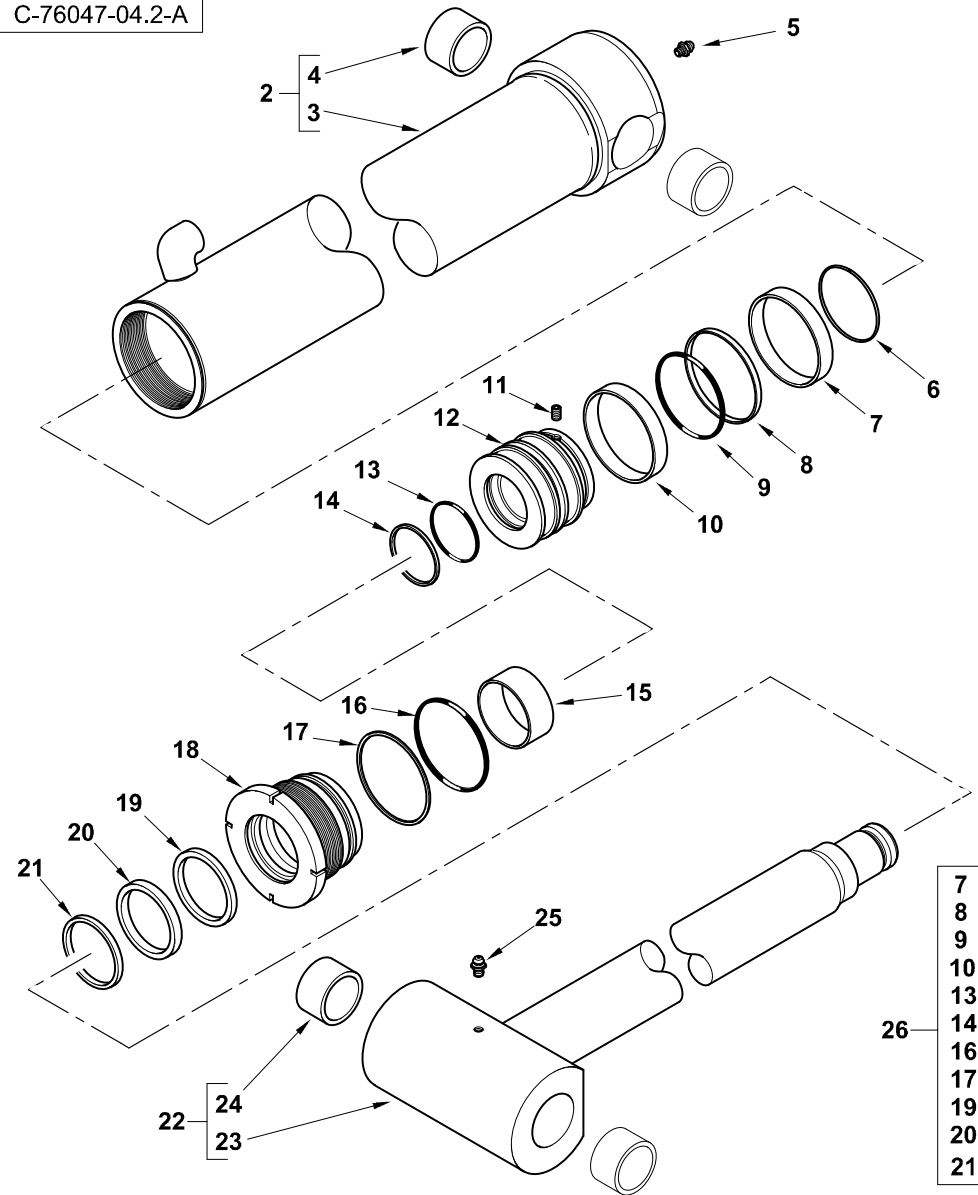




Item	Part No.	Qty.	English	French	German	Spanish	Remarks
1	5000124M91GY02	1	Cylinder Dipperstick (Benford Grey)	L' Hie Hydraulique	Zylinder Hydr.	Gato, Conj.	Tba [76047c03.1 1]
2	5003982M91	1	Barrel Assy. - Dipper Cylinder	Corps Cylindre	Zylindergehäuse	Cilindro	
3	#TUBE, CYLINDER	1	Tube, Cylinder	Tube, Cylindre	Tube, Cylinder	Tube, Cylinder	Ref. 2
4	3484843M1	1	Bush, Hydr. Cylinders	Douille	Buechse	Casquillo	
5	339608X1	1	Grease Nipple - M10 X 1 (Zinc)	Nipple De Graissage	Schmiernippel	Engrasador	
6	3485891M1	1	Guide Ring Piston	Anneau	Ring	Aro	
7	3485247M91	1	Seal Piston	Joint	Dichtung	Junta, Conj.	
8	#SEAL	1	Seal	Joint Étanchéité	Dichtring	Retén	Ref. 7
9	#RING	1	Ring	Anneau	Ring	Aro	Ref. 7
10	3485891M1	1	Guide Ring Piston	Anneau	Ring	Aro	
11	3402928M1	1	Screw, Socket Head - Piston Locating	Vis Tête Hex	Zylinderschraube	Tornillo	
12	5003989M1	1	Piston	Piston	Kolben	Pistón	
13	3007182X1	1	O-Ring	Joint Torique	O-Ring	Junta De Tipo O	
14	359196X1	1	O Ring	Joint Torique	O Ring	Junta De Tipo O	
15	378545X1	1	Ring - Backup	Contre Bague	Stutzring	Aro	
16	3487908M1	1	O Ring, Hydr. Cylinder	Joint Torique	O Ring	Junta De Tipo O	
17	5003988M1	1	Bearing Cylinder	Roulement	Lager	Cojinete	
18	3623193M1	1	Guide Ring	Anneau	Ring	Aro	
19	3443388M1	1	Ring - Back Up	Anneau	Ring	Aro	
20	3443472M1	1	Seal	Joint D' Arbre	Wellendichtring	Junta	
21	3403385M1	1	Wiper Ring	Joint De Racleur	Abstreifdichtung	Junta Raspador	
22	339608X1	1	Grease Nipple - M10 X 1 (Zinc)	Nipple De Graissage	Schmiernippel	Engrasador	
23	5003985M91	1	Piston Rod Assy	Tige De Vérin	Kolbenstange	Vástago Cilindro	
24	#ROD, PISTON	1	Rod, Piston	Rod, Piston	Rod, Piston	Rod, Piston	Ref. 23
25	3484843M1	1	Bush, Hydr. Cylinders	Douille	Buechse	Casquillo	
26	5004401M91	1	Kit Seal	Jeu Étanchéité	Dichtringsatz	Juego De Juntas	



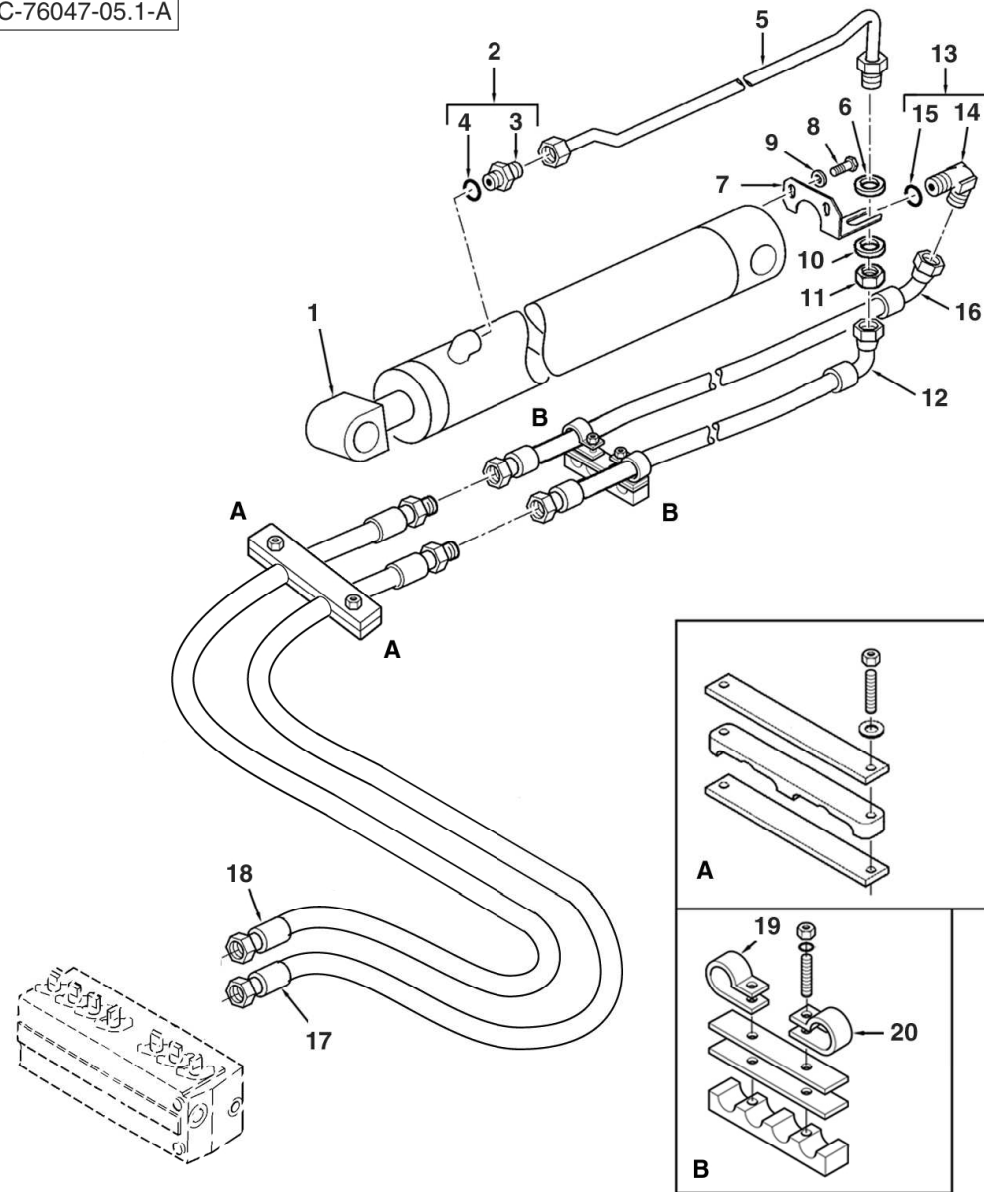
C-76047-04.2-A



Item	Part No.	Qty.	English	French	German	Spanish	Remarks
1	6111069M91GY03	1	Cylinder - Dipperstick	Cylindre	Zylinder	Gato, Conj.	Tba [76047c03.1 1]
2	6194615M91	1	Barrel - Cylinder	Corps Cylindre	Zylindergehäuse	Conjunto De Tubería	
3	#TUBE	1	Tube	Tube	Tube	Tube	Ref. 2
4	6194562M1	2	Bush	Douille	Büchse	Casquillo	
5	6194542M1	1	Nipple - Grease	Graisseur Coude	Nippel	Manguito, Engrasador	
6	6194620M1	1	Ring - Snap	Fermeoir	Sprengring	Anillo De Resorte	
7	6194621M1	1	Bearing - Piston	Coussinet	Lager	Teniendo - Pistón	
8	6194622M1	1	Seal - Piston	Joint Étanchéité	Dichtring	Junta	
9	6194623M1	1	O Ring (Std)	Joint Torique	O Ring	Junta De Tipo O	
10	6194621M1	1	Bearing - Piston	Coussinet	Lager	Teniendo - Pistón	
11	6194619M1	1	Set Screw	Vis	Schraube	Tornillo De Ajuste	
12	6194617M1	1	Piston	Piston	Kolben	Pistón	
13	6194624M1	1	O Ring (Std)	Joint Torique	O Ring	Junta De Tipo O	
14	6194625M1	1	Ring - Back Up	Contre Bague	Stutzring	ContraJunta	
15	6194565M1	1	Bush - Bimetal	Douille	Büchse	Juego De Anillos	
16	6194626M1	1	O Ring (Std)	Joint Torique	O Ring	Junta De Tipo O	
17	6194627M1	1	Ring - Back Up	Contre Bague	Stutzring	ContraJunta	
18	6194618M1	1	End Cover - Head	Couvercle	Deckel	Tapa	
19	6194575M1	1	Seal - Rod (Primary)	Joint Étanchéité	Dichtring	Junta	
20	6194576M1	1	Seal- Rod (Secondary)	Joint Étanchéité	Dichtring	Junta	
21	6194573M1	1	Wiper	Essuyeur	Wischer	Raspador, Escobilla	
22	6194616M91	1	Rod - Piston	Bielle De Piston	Pleuelstange	Rod - Pistón	
23	#ROD	1	Rod	Rod	Rod	Rod	Ref. 22
24	6194562M1	2	Bush	Douille	Büchse	Casquillo	
25	6194542M1	1	Nipple - Grease	Graisseur Coude	Nippel	Manguito, Engrasador	
26	6194628M91	0	Seal Kit	Jeu Etancheite	Dichtringsatz	Juego De Juntas	

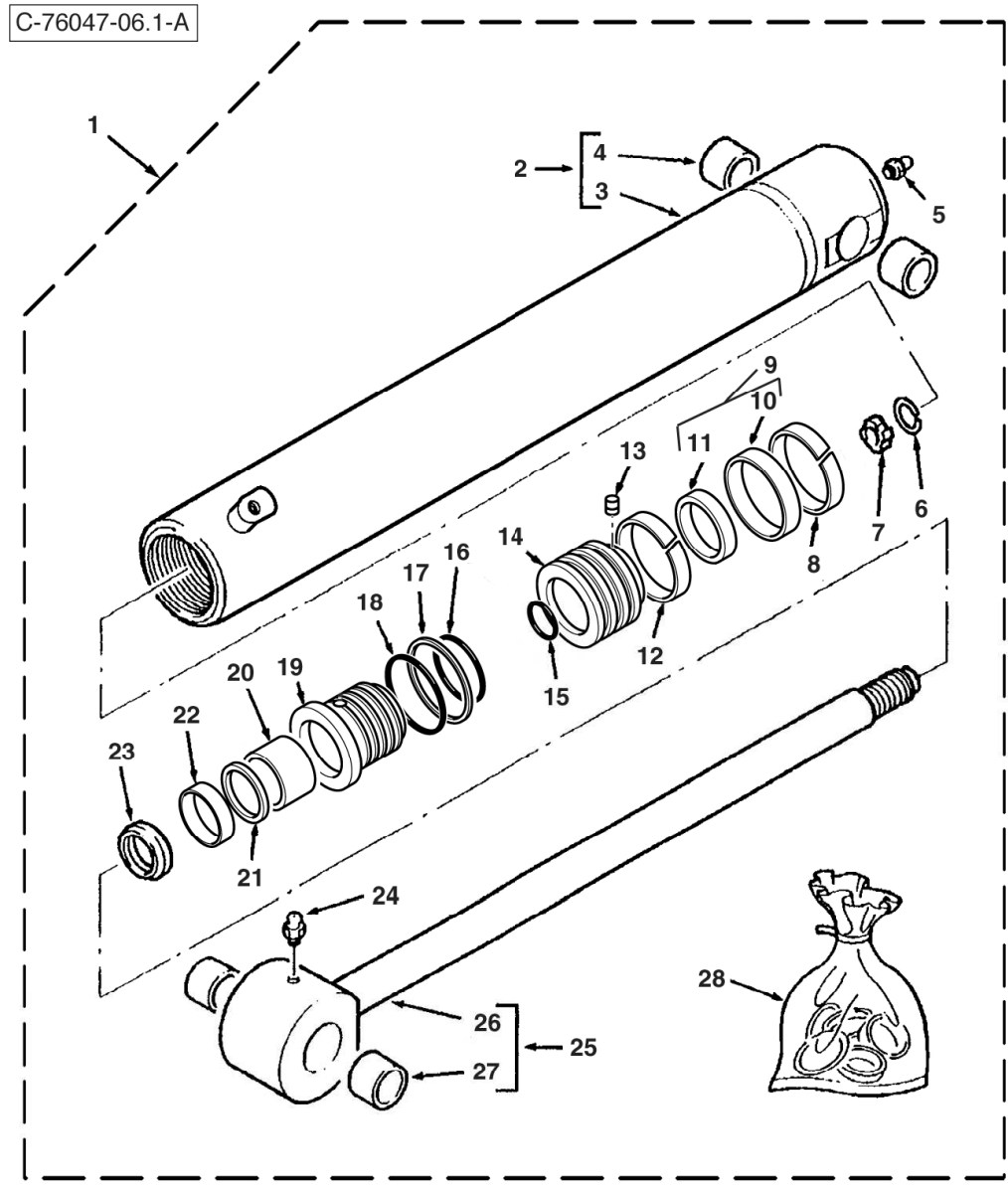


C-76047-05.1-A



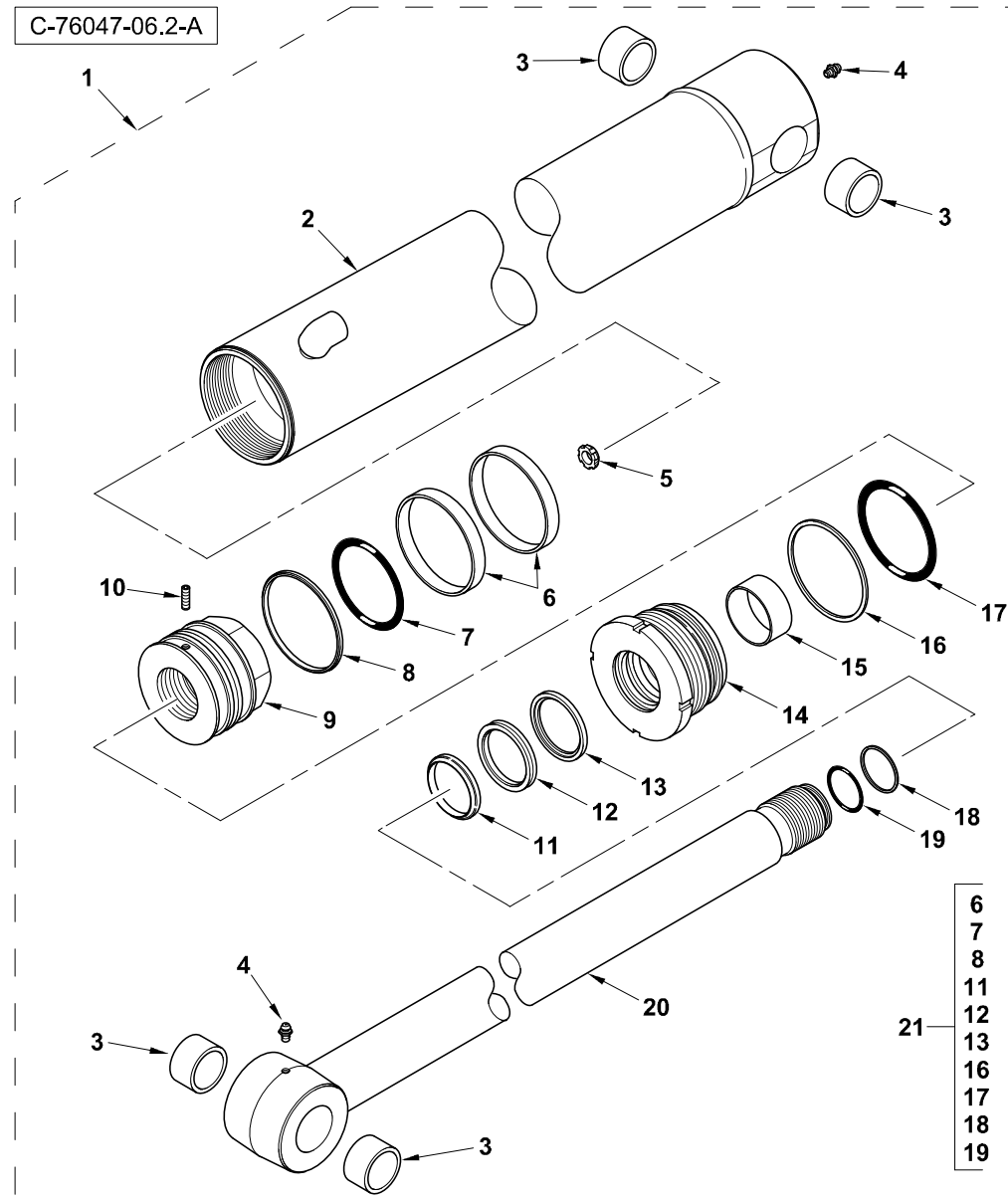
Item	Part No.	Qty.	English	French	German	Spanish	Remarks
1	5000122M91	1	Cylinder 4.5m B00m - Hi Spec	L'Hie Hydraulique	Zylinder Hydr.	Gato, Conj.	Pacoma
1	6111078M91GY03	1	Cylinder Boom 4.5	Cylindre 4.5m	Zylinder 4.5m	Cilindro 4.5m	Wipro
2	835013M91	1	Connector 7/8 Jic	Raccord	Schraubanschluss	Conexión, Conj.	
3	#UNION	1	Union	Union	Union	Union	Ref. 2
4	835024M1	1	Ring O - Boa	Joint Torique	O Ring	Junta De Tipo O	
5	6101956M92	1	Tube Assy - Boom Cyl. 4.5 (Hose Burst)	Tuyauterie	Rohrleitung Kplt	Conjunto De Tubería	Pacoma
5	6111165M92	1	Tube Assy - Boom Cyl. 4.5 (Hose Burst)	Tuyauterie	Rohrleitung Kplt	Conjunto De Tubería	Wipro
6	#WASHER	1	Washer	Rondelle	Unterlegscheibe	Arandela	
7	#BRACKET	1	Bracket	Bracket	Bracket	Bracket	
8	339228X1	2	Bolt, Hex. - M8 X 12 (Coarse)	Boulon M8 X 12	Maschschraube M8	Tornillo	
9	339374X1	2	Washer M8 -21-2 Z	Rondelle Frein - M8	Federring - M8	Arandela De Freno	
10	#WASHER	1	Washer	Rondelle	Unterlegscheibe	Arandela	
11	#NUT	1	Nut	Ecrou	Mutter	Tuerca	
12	#HOSE ASSY	1	Hose Assy	Hose Assy	Hose Assy	Hose Assy	Orange
13	#ELBOW	1	Elbow	Elbow	Elbow	Elbow	
14	#ELBOW	1	Elbow	Elbow	Elbow	Elbow	Ref. 13
15	#O-RING	1	O-Ring	Joint Torique	O-Ring	Junta Tórica	
16	6101736M92	1	Hose, "Blue" - Boom Cylinder Feed	Flexible	Schlauch	Flexible, Conj.	Blue
17	6102943M91	1	Hose-Boom Rod-Orange	Flexible Ass.	Schlauch Kplt	Flexible, Conj.	Orange
18	6102940M91	1	Hose-Boom Head-Blue	Flexible Ass.	Schlauch Kplt	Flexible, Conj.	Blue
19	515-23270	1	Clip-Coated P	Clip	Klips	Clip	
20	515-23206	1	P Clip Bsr081hs	Bride Pour Tutaux	Schlauchschelle	Abrazadera De Manguera	





Item	Part No.	Qty.	English	French	German	Spanish	Remarks
1	5000122M91	1	Cylinder 4.5m B00m - Hi Spec	L´Hie Hydraulique	Zylinder Hydr.	Gato, Conj.	76047c05.1 1
2	5003912M91	1	Barrel Assy	Cylindre	Zylinder	Cilindro	
3	#TUBE, CYLINDER	1	Tube, Cylinder	Tube, Cylinder	Tube, Cylinder	Tube, Cylinder	Ref. 2
4	#BUSHING	2	Bushing	Douille	Busche	Boccola	
5	339608X1	1	Grease Nipple - M10 X 1 (Zinc)	Nipple De Graissage	Schmiernippel	Engrasador	
6	1609899M1	1	Snap Ring	Anneau D´Arrêt	Sprengring	Anillo De Resorte	
7	1609328M1	1	Ring Cushioning	Anneau	Ring	Aro	
8	3403852M1	1	Ring, Guide - Piston	Anneau	Ring	Aro	
9	3485213M91	1	Seal Piston	Joint	Dichtung	Junta, Conj.	
10	#SEAL	1	Seal	Joint Étanchéité	Dichtring	Retén	Ref. 9
11	#SEAL	1	Seal	Joint Étanchéité	Dichtring	Retén	Ref. 9
12	3403852M1	1	Ring, Guide - Piston	Anneau	Ring	Aro	
13	3402928M1	1	Screw, Socket Head - Piston Locating	Vis Tête Hex	Zylinderschraube	Tornillo	
14	3484189M1	1	Piston	Piston	Kolben	Pistón	
15	3007182X1	1	O-Ring	Joint Torique	O-Ring	Junta De Tipo O	
16	359203X1	1	O-Ring	Joint Torique	O-Ring	Junta De Tipo O	
17	367120X1	1	Back-Up Ring	Contre Bague	Stützring	Aro	
18	3487909M1	1	O-Ring	Joint Torique	O-Ring	Junta De Tipo O	
19	3623202M1	1	Bearing	Roulement	Lager	Cojinete	
20	3623193M1	1	Guide Ring	Anneau	Ring	Aro	
21	3443388M1	1	Ring - Back Up	Anneau	Ring	Aro	
22	3443472M1	1	Seal	Joint D´Arbre	Wellendichtring	Junta	
23	3403385M1	1	Wiper Ring	Joint De Racleur	Abstreifdichtung	Junta Raspador	
24	339608X1	1	Grease Nipple - M10 X 1 (Zinc)	Nipple De Graissage	Schmiernippel	Engrasador	
25	3441629M91	1	Piston Rod Assy	Tige De Vérin	Kolbenstange	Vástago Cilindro	
26	#ROD, PISTON	1	Rod, Piston	Rod, Piston	Rod, Piston	Rod, Piston	Ref. 25
27	3484843M1	1	Bush, Hydr. Cylinders	Douille	Buechse	Casquillo	
28	3623589M91	1	Kit, Seal - Hydraulic Cylinder	Jeu Etancheite	Dichtringsatz	Juego De Juntas	

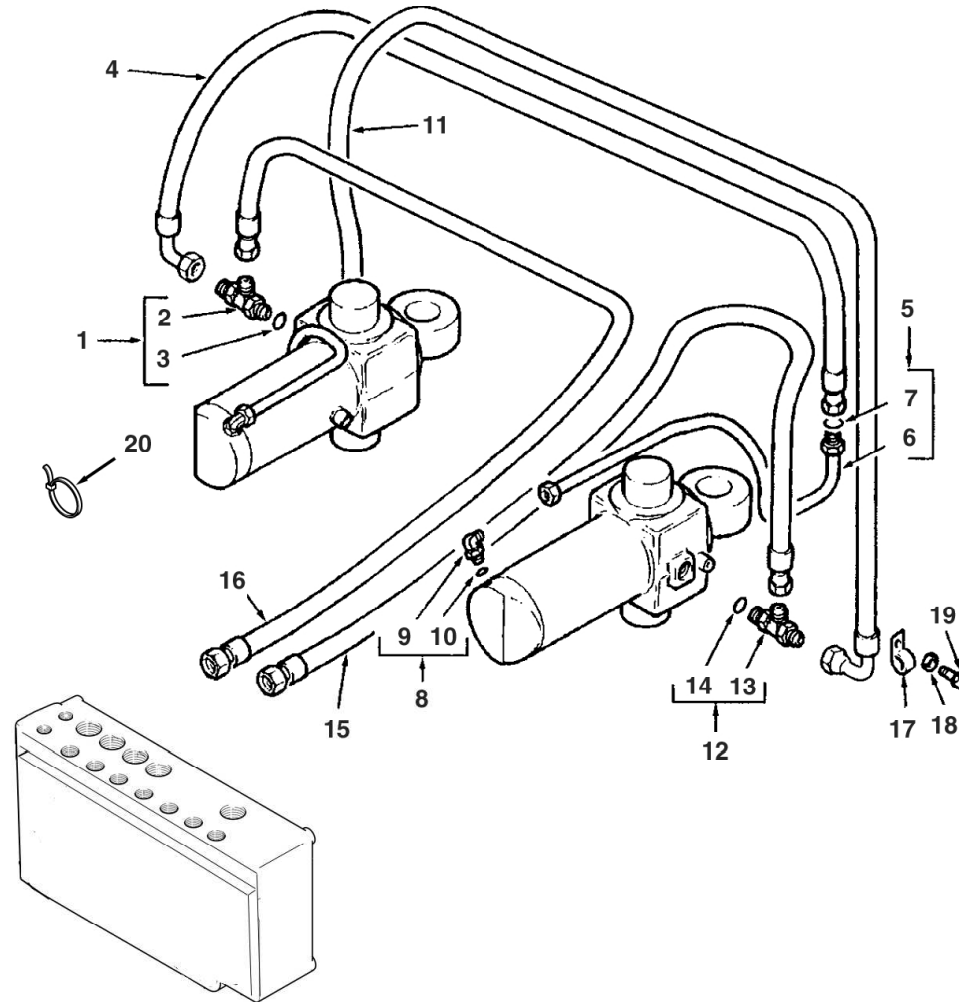




Item	Part No.	Qty.	English	French	German	Spanish	Remarks
1	6111078M91GY03	1	Cylinder Boom 4.5	Cylindre 4.5m	Zylinder 4.5m	Cilindro 4.5m	
2	6195249M91GY03	1	Tube - S/A (Terex Grey)	Tube - S/A (Terex Grey)	Tube - S/A (Terex Grey)	Tube - S/A (Terex Grey)	
3	6195253M1	4	Bush	Douille	Buchse	Casquillo	
4	6195255M1	2	Grease Nipple	Grease Nipple	Grease Nipple	Grease Nipple	
5	6195235M1	1	Ring - Cushion	Ring - Cushion	Ring - Cushion	Ring - Cushion	
6	6195259M1	2	Bearing - Piston	Bearing - Piston	Bearing - Piston	Bearing - Piston	
7	6195258M1	1	O - Ring	O - Ring	O - Ring	O - Ring	
8	6195257M1	1	Seal - Piston	Seal - Piston	Seal - Piston	Seal - Piston	
9	6195251M1	1	Piston	Piston	Piston	Piston	
10	6195254M1	1	Set Screw - Hex. Socket	Set Screw - Hex. Socket	Set Screw - Hex. Socket	Set Screw - Hex. Socket	
11	6194573M1	1	Wiper	Essuyeur	Wischer	Raspador, Escobilla	
12	6195262M1	1	Seal - Rod (Secondary)	Seal - Rod (Secondary)	Seal - Rod (Secondary)	Seal - Rod (Secondary)	
13	6194575M1	1	Seal - Rod (Primary)	Joint Étanchéité	Dichtring	Junta	
14	6195252M1	1	Cover - H.E.	Cover - H.E.	Cover - H.E.	Cover - H.E.	
15	6195256M1	1	Bush - Bimetal	Bush - Bimetal	Bush - Bimetal	Bush - Bimetal	
16	6195261M1	1	Ring - Back Up	Ring - Back Up	Ring - Back Up	Ring - Back Up	
17	6195260M1	1	O - Ring	O - Ring	O - Ring	O - Ring	
18	6194570M1	1	Ring - Back Up	Contre Bague	Stutzring	ContraJunta	
19	6195247M1	1	O - Ring	O - Ring	O - Ring	O - Ring	
20	6195250M91	1	Piston Rod - S/A	Piston Rod - S/A	Piston Rod - S/A	Piston Rod - S/A	
21	6195263M91	1	Seal Kit	Jeu Etancheite	Dichtringsatz	Juego Retenes	



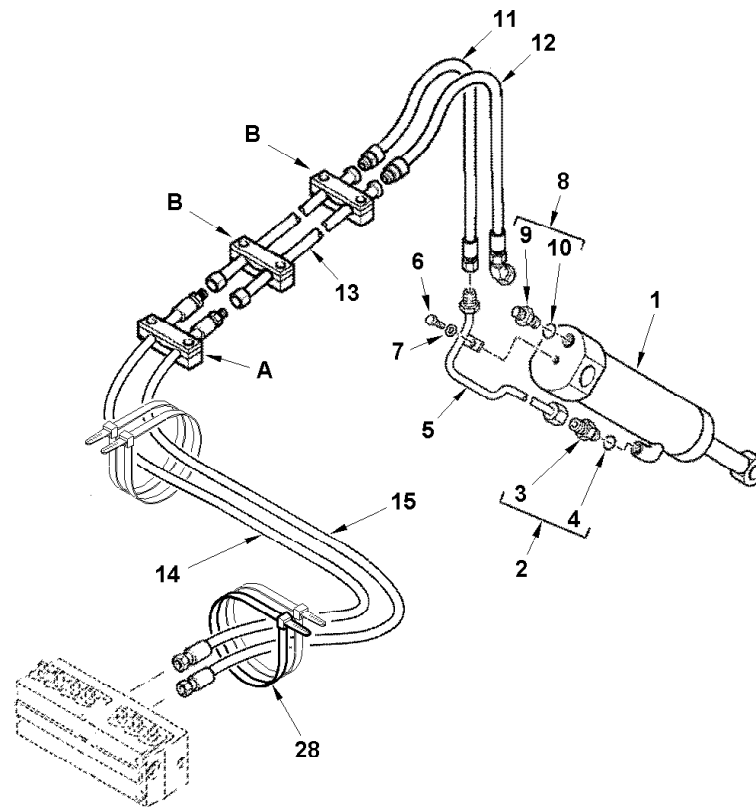
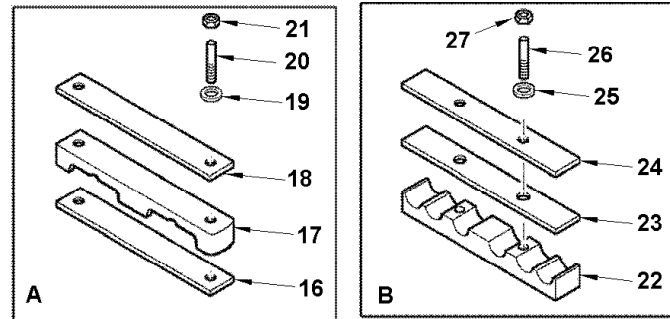
C-76047-07.1-A



Item	Part No.	Qty.	English	French	German	Spanish	Remarks
1	358728X91	1	Tee	Te	T-Stück	Te	
2	#TEE	1	Tee	Tee	Tee	Tee	Ref. 1
3	831497M1	1	O-Ring	Joint Torique	O-Ring	Junta De Tipo O	
4	6100716M91	1	Hose Slew Trsfr	Flexible Ass.	Schlauch Kplt	Flexible, Conj.	
5	6111175M92	1	Tube Assy Slew	Ensemble Tube	Rohr Kpl	Conj.De Tubo	RH Wipro
5	6100589M91	1	Tube Slew Trsf RH	Tuyauterie	Rohrleitung Kplt	Conjunto De Tubería	Pacoma
5	6100587M91	1	Tube Slew Trsf LH	Tuyauterie	Rohrleitung Kplt	Conjunto De Tubería	Pacoma
5	6111174M92	1	Tube Assy Slew	Ensemble Tube	Rohr Kpl	Conj. De Tubo	LH Wipro
6	#TUBE	1	Tube	Tube	Tube	Tube	Ref. 5
7	394923X1	1	O Ring	Joint Torique	O Ring	Junta De Tipo O	
8	357197X91	2	Elbow & O Ring	Coude	Kniestück, 90°	Codo, 90°	
9	#ELBOW	1	Elbow	Elbow	Elbow	Elbow	Ref. 8
10	831452M1	1	O Ring (Pack Of 10)	Joint Torique	O Ring	Junta De Tipo O	
11	6100716M91	1	Hose Slew Trsfr	Flexible Ass.	Schlauch Kplt	Flexible, Conj.	
12	358728X91	1	Tee	Te	T-Stück	Te	
13	#TEE	1	Tee	Tee	Tee	Tee	Ref. 12
14	831497M1	1	O-Ring	Joint Torique	O-Ring	Junta De Tipo O	
15	6100715M92	1	Hose-Digger-Green	Flexible Ass.	Schlauch Kplt	Flexible, Conj.	Purple
16	6101866M93	1	Hose-Digger-Green	Flexible Ass.	Schlauch Kplt	Flexible, Conj.	Green
17	3517114M2	2	P - Clip	Collier De Fixation	Befestigungsschelle	Argolla De Fijación	
18	385361X1	2	Washer M8 Hardened	Rondelle M8	Scheibe M8	Arandela	
19	339228X1	2	Bolt, Hex. - M8 X 12 (Coarse)	Boulon M8 X 12	Maschschraube M8	Tornillo	
20	1862425M1	1	Tie 385mm T50I	Attache Cable	Kabelbinder	Enlace De Cable	

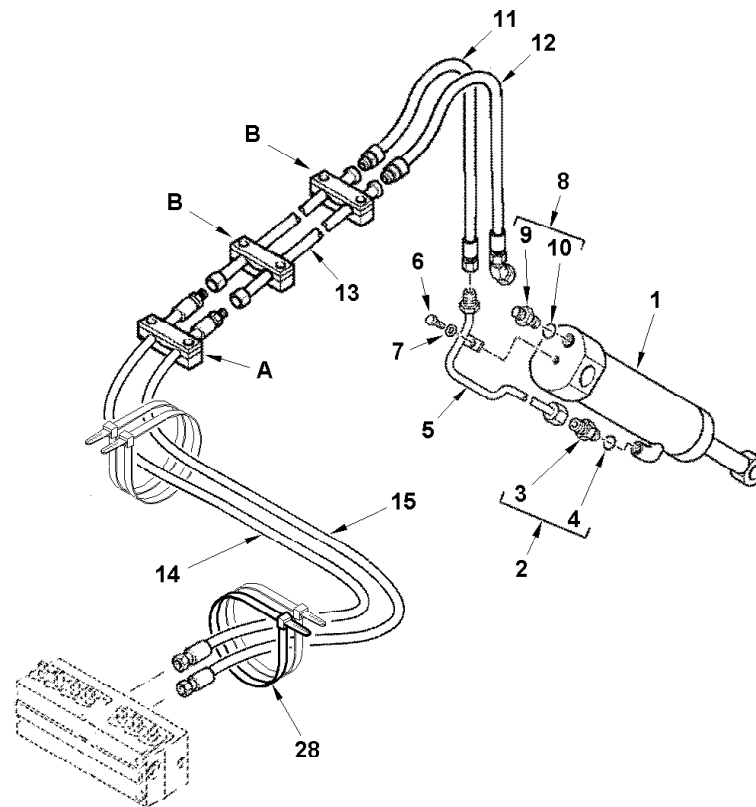
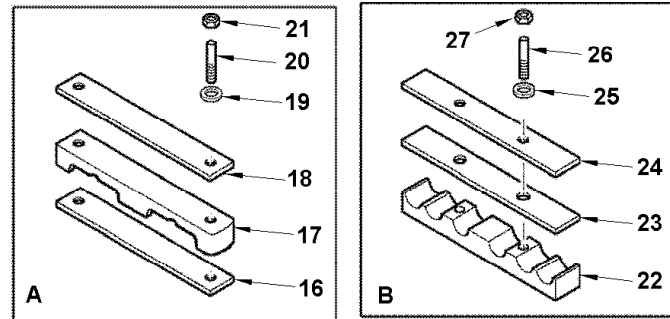


C-76048-01.1-B



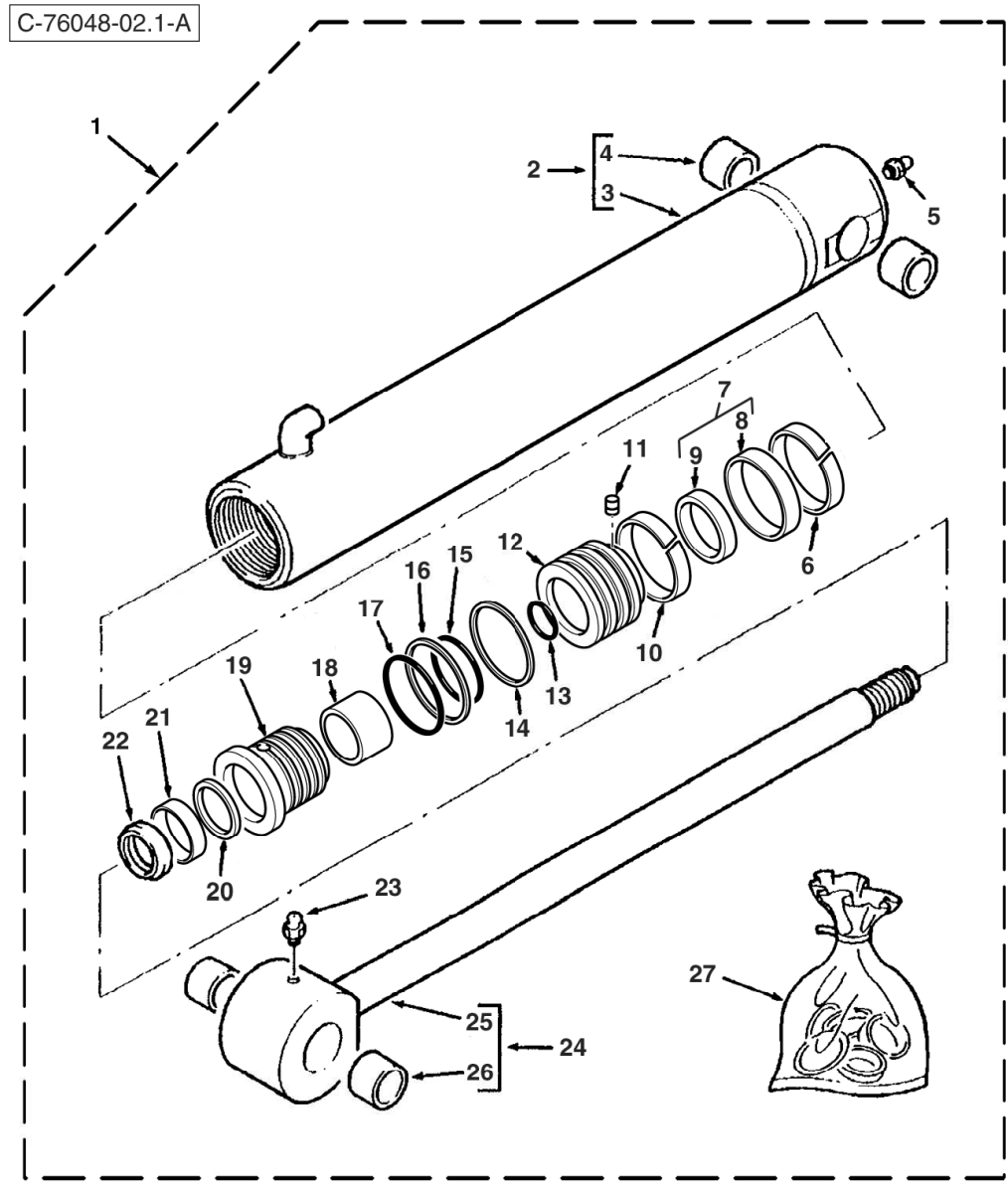
Item	Part No.	Qty.	English	French	German	Spanish	Remarks
1	#CYLINDER ASSY	1	Cylinder Assy	Cylinder Assy	Cylinder Assy	Cylinder Assy	76048c02.1 1 76048c02.2 1
2	835013M91	1	Connector 7/8 Jic	Raccord	Schraubanschluss	Conexión, Conj.	
3	#UNION	1	Union	Union	Union	Union	Ref. 2
4	835024M1	1	Ring O - Boa	Joint Torique	O Ring	Junta De Tipo O	
5	6101540M91	1	Tube Assy Bucket	Tuyauterie	Rohrleitung Kplt	Conjunto De Tubería	Tba Pacoma
5	6111161M91	1	Tube Assembly - Digger Bucket Cylinder	Tuyauterie	Rohrleitung Kplt	Conjunto De Tubería	Tba Wipro
6	339123X1	1	Bolt M8-20 Z5f	Boulon M8 X 20	Maschschraube M8	Perno	
7	385361X1	1	Washer M8 Hardened	Rondelle M8	Scheibe M8	Arandela	
8	835013M91	1	Connector 7/8 Jic	Raccord	Schraubanschluss	Conexión, Conj.	
9	#UNION	1	Union	Union	Union	Union	Ref. 8
10	835024M1	1	Ring O - Boa	Joint Torique	O Ring	Junta De Tipo O	
11	6102309M91	1	Hose-Bucket Rod-Std	Flexible Ass.	Schlauch Kplt	Flexible, Conj.	Brown
12	6107024M91	1	Hose-Bucket HD Std	Flexible Ass.	Schlauch Kplt	Flexible, Conj.	White
13	6101431M91	2	Tube-4.9 Boom Bucket	Tuyauterie	Rohrleitung Kplt	Conjunto De Tubería	Ec05/328
13	6111139M91	2	Tube Assy - Bkt 4.9m Boom	Ensemble Tube	Rohr Kpl	Conjunto De Tubería	Ec05/328
14	6111143M91	1	Hose Assy - Bucket Rod (Brown C/Mount)	Ensemble Durit	Schlauch Kpl	Flexible, Conj.	Brown Ec05/328
14	6102945M91	1	Hose-Bucket Rod-Brown	Flexible Ass.	Schlauch Kplt	Flexible, Conj.	Brown Ec05/328
15	6111144M91	1	Hose Assy- Bucket HD (White Centremount)	Ensemble Durit	Schlauch Kpl	Flexible, Conj.	White Ec05/328
15	6102942M91	1	Hose-Bucket Head-White	Flexible Ass.	Schlauch Kplt	Flexible, Conj.	White Ec05/328
16	6102128M1	1	Pad-Neoprene	Plaque Antidérapante	Zwischenlage	Cinta Antideslizante	
17	6102122M1	1	Clamp	Collier De Serrage	Klemme	Brida De Fijación	
18	6102130M1	1	Plate-Clamp	Plaque	Platte	Placa	
19	390972X1	2	Washer M8-17-1 Zwl	Rondelle M8	Scheibe - M8	Arandela	
20	3516075M1	2	Stud M8-65 Z5	Goujon	Stehbolzen	Espárrago	
21	394367X1	2	Nut, Hex. - Nyloc, M8	Ecrou Blocage M8	Flachmutter - M8	Tuerca De Retención	
22	6102126M1	2	Clamp	Collier De Serrage	Klemme	Brida De Fijación	
23	6102145M1	2	Pad-Neoprene	Plaque Antidérapante	Zwischenlage	Cinta Antideslizante	
24	6102124M1	2	Plate-Top	Plaque	Platte	Placa	
25	390972X1	4	Washer M8-17-1 Zwl	Rondelle M8	Scheibe - M8	Arandela	
26	6108049M1	4	Stud M8	Goujon	Stehbolzen	Espárrago	

C-76048-01.1-B



Item	Part No.	Qty.	English	French	German	Spanish	Remarks
27	394367X1	4	Nut, Hex. - Nyloc, M8	Ecrou Blocage M8	Flachmutter - M8	Tuerca De Retención	
28	8000-1379	4	Tie Wrap (530 X 13mm)	Bride	Buegel	Banda	

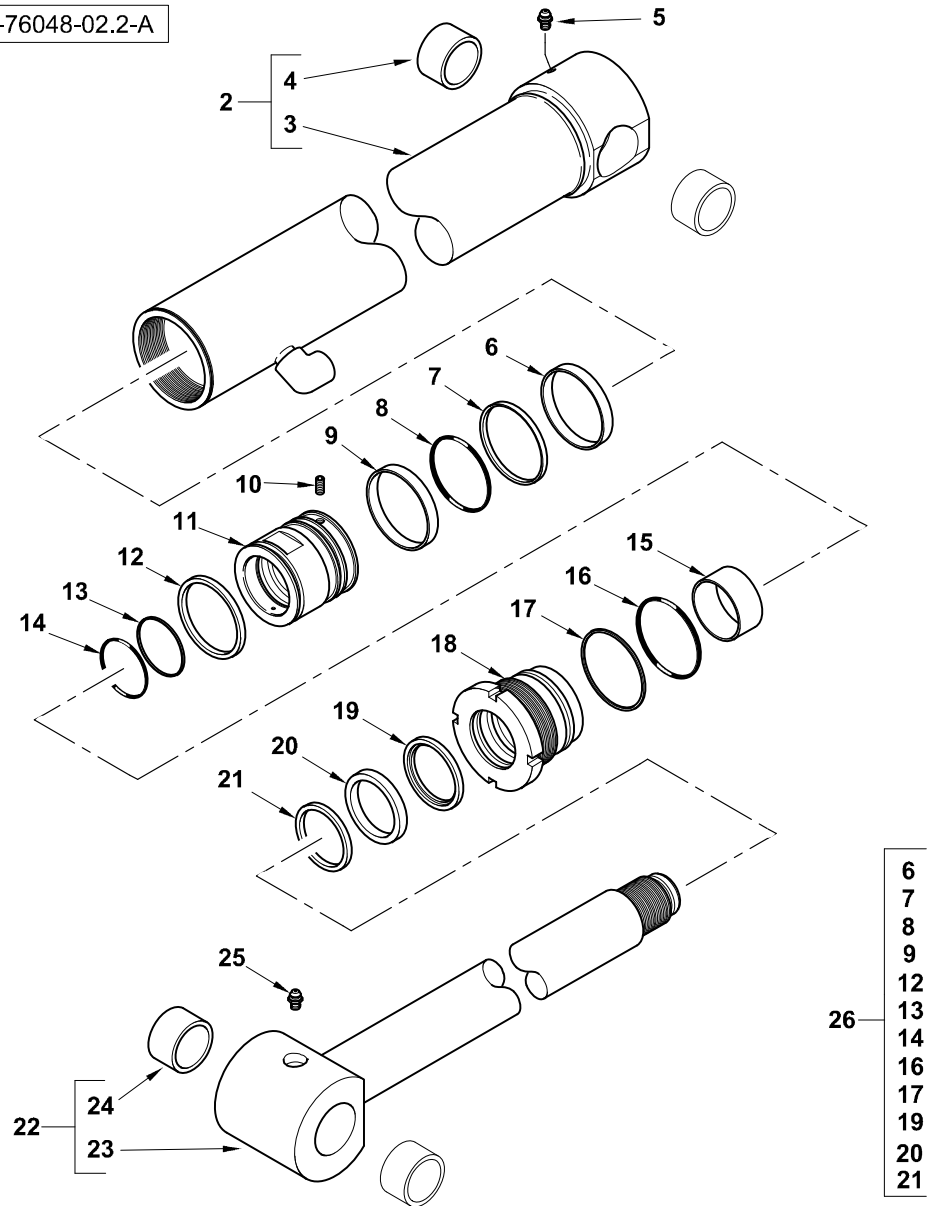




Item	Part No.	Qty.	English	French	German	Spanish	Remarks
1	5000126M91GY02	1	Cylinder Digger Bucket (Benford Grey)	L´Hie Hydraulique	Zylinder Hydr.	Gato, Conj.	Tba [76048c01.1 1]
2	5004008M91	1	Barrel Assy	Cylindre	Zylinder	Cilindro	
3	#TUBE, CYLINDER	1	Tube, Cylinder	Tube, Cylinder	Tube, Cylinder	Tube, Cylinder	Ref. 2
4	#BUSHING	1	Bushing	Douille	Busche	Boccola	
5	339608X1	1	Grease Nipple - M10 X 1 (Zinc)	Nipple De Graissage	Schmiernippel	Engrasador	
6	3485892M1	1	Guide Ring Piston	Bague D´Étanchéité	Dichtungsring	Anillo, Estanqueidad	
7	3485245M91	1	Seal Assy Piston	Joint Ass.	Dichtung Kplt	Junta, Conj.	
8	#SEAL	1	Seal	Joint Étanchéité	Dichtring	Retén	Ref. 7
9	#RING	1	Ring	Anneau	Ring	Aro	Ref. 7
10	3485892M1	1	Guide Ring Piston	Bague D´Étanchéité	Dichtungsring	Anillo, Estanqueidad	
11	3402928M1	1	Screw, Socket Head - Piston Locating	Vis Tête Hex	Zylinderschraube	Tornillo	
12	3623372M1	1	Piston	Piston	Kolben	Pistón	
13	359186X1	1	O-Ring	Joint Torique	O-Ring	Junta De Tipo O	
14	3623061M1	1	Ring Piston	Segment De Piston	Kolbenring	Segmento De Pistón	
15	359193X1	1	O-Ring	Joint Torique	O-Ring	Junta De Tipo O	
16	1606735M1	1	Ring Back-Up	Contre Bague	Stützring	ContraJunta	
17	3487207M1	1	O-Ring	Joint Torique	O-Ring	Junta De Tipo O	
18	3484615M1	1	Guide Ring	Anneau	Ring	Aro	
19	3623371M1	1	Gland - Bucket Cylinder	Presse Étoupe	Stopfbuchse	Cojinete	
20	3484055M1	1	Ring Buffer	Anneau	Ring	Aro	
21	3485185M1	1	Seal	Joint D´Arbre	Wellendichtring	Junta	
22	3487015M1	1	Wiper Ring	Anneau	Ring	Aro	
23	339608X1	1	Grease Nipple - M10 X 1 (Zinc)	Nipple De Graissage	Schmiernippel	Engrasador	
24	5004012M91	1	Piston Rod Assy - Nla	Tige De Vérin	Kolbenstange	Vástago Cilindro	
25	#ROD, PISTON	1	Rod, Piston	Rod, Piston	Rod, Piston	Rod, Piston	Ref. 24
26	#BUSHING	1	Bushing	Douille	Busche	Boccola	
27	3623373M91	1	Kit Seal	Jeu Etancheite	Dichtringsatz	Juego De Juntas	

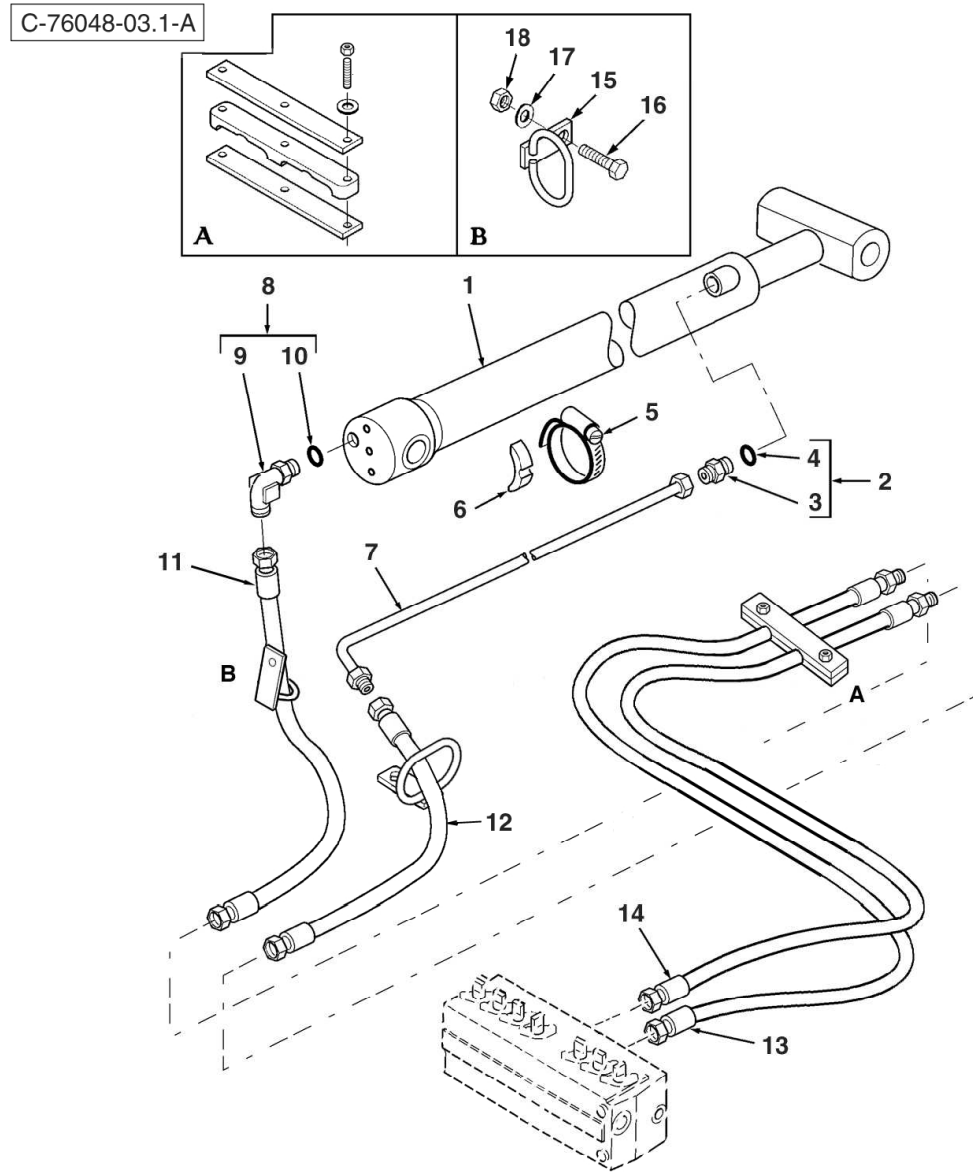


C-76048-02.2-A



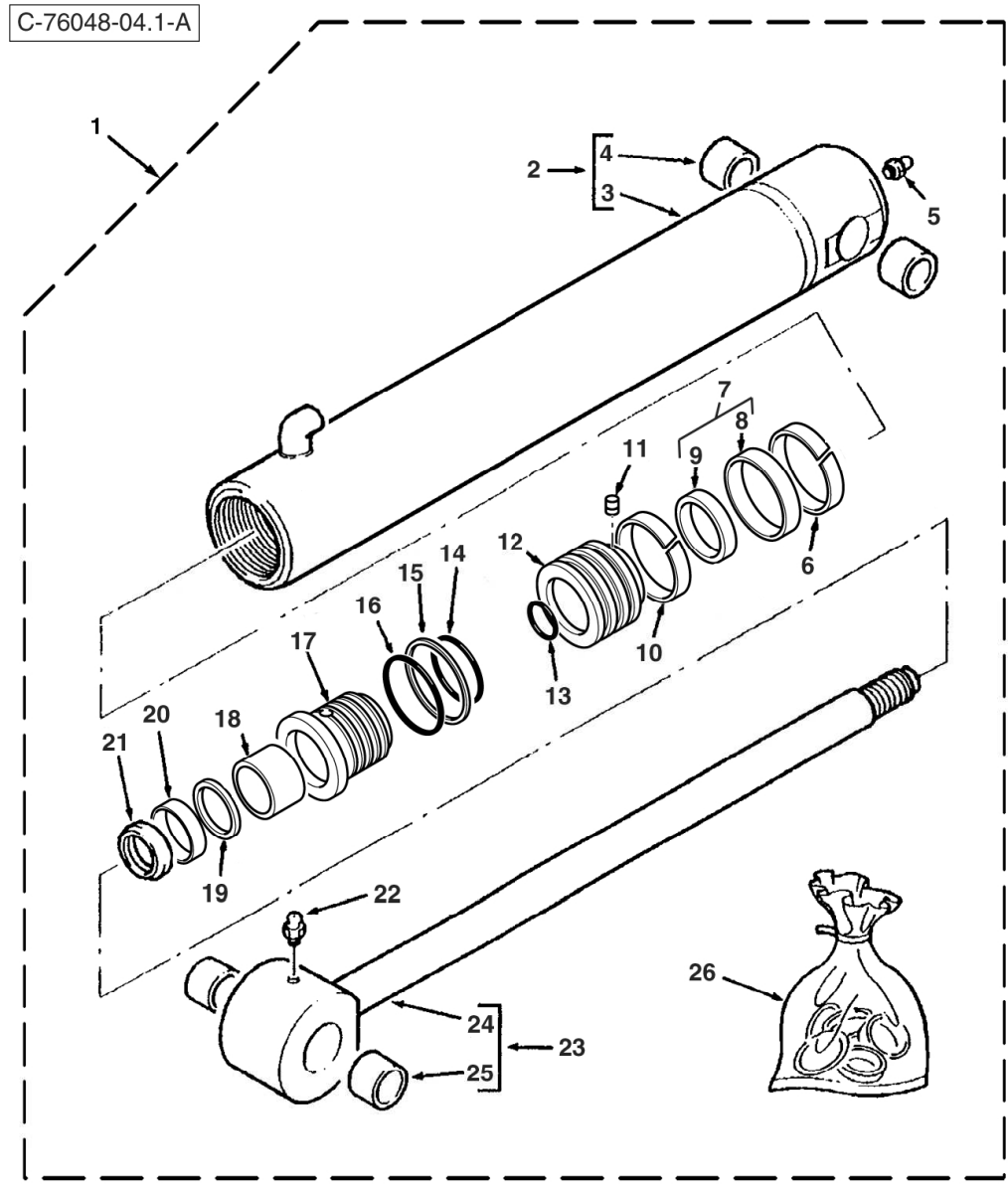
Item	Part No.	Qty.	English	French	German	Spanish	Remarks
1	6111070M91GY03	1	Cylinder- Digger Bucket	Cylindre	Zylinder	Gato, Conj.	Tba [76048c01.1 1]
2	6194629M91	1	Barrel - Cylinder	Corps Cylindre	Zylindergehäuse	Tubo	
3	#TUBE	1	Tube	Tube	Tube	Tube	Ref. 2
4	6194562M1	2	Bush	Douille	Büchse	Casquillo	
5	6194542M1	1	Nipple - Grease	Graisseur Coude	Nippel	Manguito, Engrasador	
6	6194634M1	1	Bearing - Piston	Coussinet	Lager	Teniendo - Pistón	
7	6194635M1	1	Seal - Piston	Joint Étanchéité	Dichtring	Junta	
8	6194636M1	1	O Ring (Std)	Joint Torique	O Ring	Junta De Tipo O	
9	6194634M1	1	Bearing - Piston	Coussinet	Lager	Teniendo - Pistón	
10	6194633M1	1	Set Screw - Hex Socket	Vis Tete Hex	Zylinderschraube	Tornillo De Ajuste	
11	6194631M1	1	Piston	Piston	Kolben	Pistón	
12	6194637M1	1	Ring - Piston	Segment Piston	Kolbenring	Segmento De Pistón	
13	6194625M1	1	Ring - Back Up	Contre Bague	Stutzring	ContraJunta	
14	6194624M1	1	O Ring (Std)	Joint Torique	O Ring	Junta De Tipo O	
15	6194541M1	1	Bush - Bimetal	Douille	Büchse	Juego De Anillos	
16	6194640M1	1	O Ring (Std)	Joint Torique	O Ring	Junta De Tipo O	
17	6194641M1	1	Ring - Back Up	Contre Bague	Stutzring	ContraJunta	
18	6194632M1	1	End Cover - Head	Couvercle	Deckel	Tapa	
19	6194638M1	1	Seal - Rod (Primary)	Joint Étanchéité	Dichtring	Junta	
20	6194639M1	1	Seal- Rod (Secondary)	Joint Étanchéité	Dichtring	Junta	
21	6194554M1	1	Wiper	Essuyeur	Wischer	Raspador, Escobilla	
22	6194630M91	1	Rod - Piston	Bielle De Piston	Pleuelstange	Rod - Pistón	
23	#ROD	1	Rod	Rod	Rod	Rod	Ref. 22
24	6194562M1	2	Bush	Douille	Büchse	Casquillo	
25	6194542M1	1	Nipple - Grease	Graisseur Coude	Nippel	Manguito, Engrasador	
26	6194642M91	0	Seal Kit	Jeu Etancheite	Dichtringsatz	Juego De Juntas	





Item	Part No.	Qty.	English	French	German	Spanish	Remarks
1	#CYLINDER ASSY	1	Cylinder Assy	Cylinder Assy	Cylinder Assy	Cylinder Assy	76048c04.1 1 76048c04.2 1
2	835013M91	1	Connector 7/8 Jic	Raccord	Schraubanschluss	Conexión, Conj.	
3	#UNION	1	Union	Union	Union	Union	Ref. 2
4	835024M1	1	Ring O - Boa	Joint Torique	O Ring	Junta De Tipo O	
5	3517733M1	1	Clamp Hose 130-150	Collier De Serrage	Schlauchbinder	Argolla De Cierre	
6	D142787	1	Saddle (See 142787d)	Selle	Sattel	Bloque De Caucho	
7	#TUBE ASSY	1	Tube Assy	Tube Assy	Tube Assy	Tube Assy	
8	#ELBOW	1	Elbow	Elbow	Elbow	Elbow	
9	#ELBOW	1	Elbow	Elbow	Elbow	Elbow	Ref. 8
10	#O-RING	1	O-Ring	Joint Torique	O-Ring	Junta Tórica	
11	6101738M91	1	Hose-Dipper Head	Flexible Ass.	Schlauch Kplt	Flexible, Conj.	Yellow
12	6101737M91	1	Hose-Dipper Rod	Flexible Ass.	Schlauch Kplt	Flexible, Conj.	Red
13	6102941M91	1	Hose-Dipper Head-Yellow	Flexible Ass.	Schlauch Kplt	Flexible, Conj.	Yellow
14	6102944M91	1	Hose-Dipper Rod	Flexible Ass.	Schlauch Kplt	Flexible, Conj.	Red
15	6101491M92	2	Hose Hoop Assy	Ensemble De Support	Haltevorrichtung Kpl.	Apoyadero, Conj.	
16	339761X1	2	Bolt M8-25 Z5f	Goupille	Bolzen M8 X 25	Tornillo	
17	390972X1	2	Washer M8-17-1 Zwl	Rondelle M8	Scheibe - M8	Arandela	
18	394367X1	2	Nut, Hex. - Nyloc, M8	Ecrou Blocage M8	Flachmutter - M8	Tuerca De Retención	

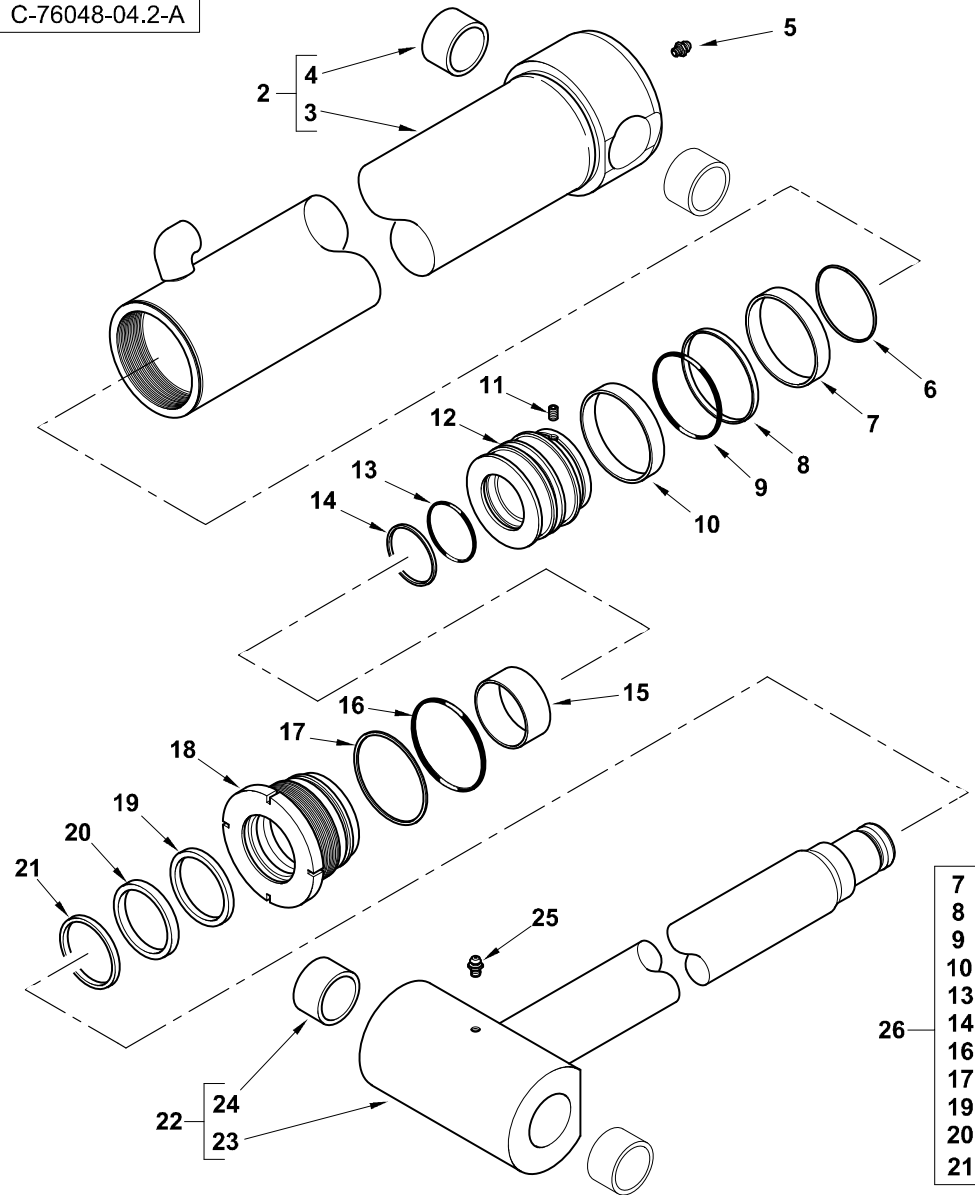




Item	Part No.	Qty.	English	French	German	Spanish	Remarks
1	5000124M91GY02	1	Cylinder Dipperstick (Benford Grey)	L´Hie Hydraulique	Zylinder Hydr.	Gato, Conj.	Tba [76048c03.1 1]
2	5003982M91	1	Barrel Assy. - Dipper Cylinder	Corps Cylindre	Zylindergehäuse	Cilindro	
3	#TUBE, CYLINDER	1	Tube, Cylinder	Tube, Cylindre	Tube, Cylinder	Tube, Cylinder	Ref. 2
4	3484843M1	1	Bush, Hydr. Cylinders	Douille	Buechse	Casquillo	
5	339608X1	1	Grease Nipple - M10 X 1 (Zinc)	Nipple De Graissage	Schmiernippel	Engrasador	
6	3485891M1	1	Guide Ring Piston	Anneau	Ring	Aro	
7	3485247M91	1	Seal Piston	Joint	Dichtung	Junta, Conj.	
8	#SEAL	1	Seal	Joint Étanchéité	Dichtring	Retén	Ref. 7
9	#RING	1	Ring	Anneau	Ring	Aro	Ref. 7
10	3485891M1	1	Guide Ring Piston	Anneau	Ring	Aro	
11	3402928M1	1	Screw, Socket Head - Piston Locating	Vis Tête Hex	Zylinderschraube	Tornillo	
12	5003989M1	1	Piston	Piston	Kolben	Pistón	
13	3007182X1	1	O-Ring	Joint Torique	O-Ring	Junta De Tipo O	
14	359196X1	1	O Ring	Joint Torique	O Ring	Junta De Tipo O	
15	378545X1	1	Ring - Backup	Contre Bague	Stutzring	Aro	
16	3487908M1	1	O Ring, Hydr. Cylinder	Joint Torique	O Ring	Junta De Tipo O	
17	5003988M1	1	Bearing Cylinder	Roulement	Lager	Cojinete	
18	3623193M1	1	Guide Ring	Anneau	Ring	Aro	
19	3443388M1	1	Ring - Back Up	Anneau	Ring	Aro	
20	3443472M1	1	Seal	Joint D´Arbre	Wellendichtring	Junta	
21	3403385M1	1	Wiper Ring	Joint De Racleur	Abstreifdichtung	Junta Raspador	
22	339608X1	1	Grease Nipple - M10 X 1 (Zinc)	Nipple De Graissage	Schmiernippel	Engrasador	
23	5003985M91	1	Piston Rod Assy	Tige De Vérin	Kolbenstange	Vástago Cilindro	
24	#ROD, PISTON	1	Rod, Piston	Rod, Piston	Rod, Piston	Rod, Piston	Ref. 23
25	3484843M1	1	Bush, Hydr. Cylinders	Douille	Buechse	Casquillo	
26	5004401M91	1	Kit Seal	Jeu Étanchéité	Dichtringsatz	Juego De Juntas	



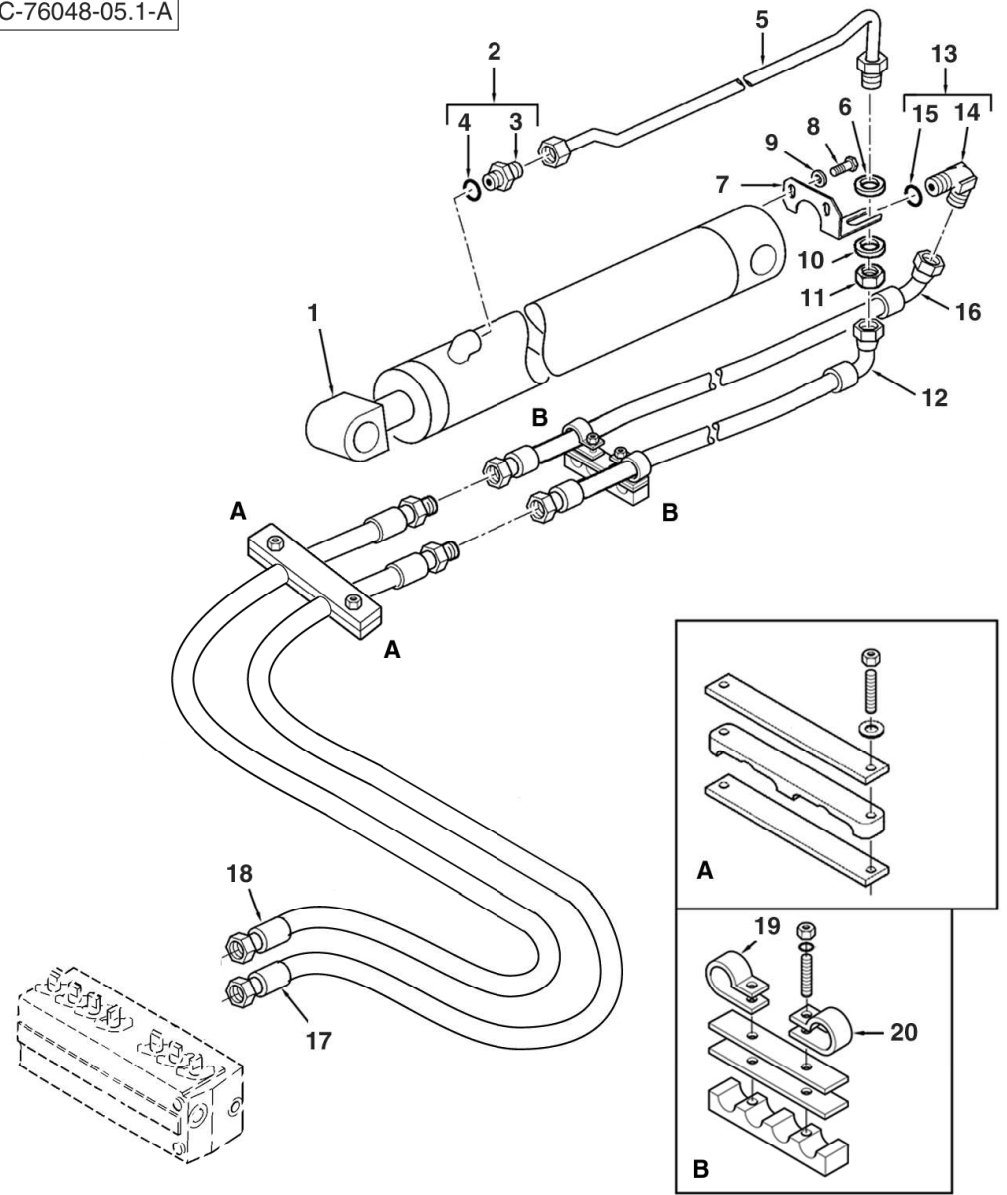
C-76048-04.2-A



Item	Part No.	Qty.	English	French	German	Spanish	Remarks
1	6111069M91GY03	1	Cylinder - Dipperstick	Cylindre	Zylinder	Gato, Conj.	Tba [76048c03.1 1]
2	6194615M91	1	Barrel - Cylinder	Corps Cylindre	Zylindergehäuse	Conjunto De Tubería	
3	#TUBE	1	Tube	Tube	Tube	Tube	Ref. 2
4	6194562M1	2	Bush	Douille	Büchse	Casquillo	
5	6194542M1	1	Nipple - Grease	Graisseur Coude	Nippel	Manguito, Engrasador	
6	6194620M1	1	Ring - Snap	Fermeoir	Sprengring	Anillo De Resorte	
7	6194621M1	1	Bearing - Piston	Coussinet	Lager	Teniendo - Pistón	
8	6194622M1	1	Seal - Piston	Joint Étanchéité	Dichtring	Junta	
9	6194623M1	1	O Ring (Std)	Joint Torique	O Ring	Junta De Tipo O	
10	6194621M1	1	Bearing - Piston	Coussinet	Lager	Teniendo - Pistón	
11	6194619M1	1	Set Screw	Vis	Schraube	Tornillo De Ajuste	
12	6194617M1	1	Piston	Piston	Kolben	Pistón	
13	6194624M1	1	O Ring (Std)	Joint Torique	O Ring	Junta De Tipo O	
14	6194625M1	1	Ring - Back Up	Contre Bague	Stutzring	ContraJunta	
15	6194565M1	1	Bush - Bimetal	Douille	Büchse	Juego De Anillos	
16	6194626M1	1	O Ring (Std)	Joint Torique	O Ring	Junta De Tipo O	
17	6194627M1	1	Ring - Back Up	Contre Bague	Stutzring	ContraJunta	
18	6194618M1	1	End Cover - Head	Couvercle	Deckel	Tapa	
19	6194575M1	1	Seal - Rod (Primary)	Joint Étanchéité	Dichtring	Junta	
20	6194576M1	1	Seal- Rod (Secondary)	Joint Étanchéité	Dichtring	Junta	
21	6194573M1	1	Wiper	Essuyeur	Wischer	Raspador, Escobilla	
22	6194616M91	1	Rod - Piston	Bielle De Piston	Pleuelstange	Rod - Pistón	
23	#ROD	1	Rod	Rod	Rod	Rod	Ref. 22
24	6194562M1	2	Bush	Douille	Büchse	Casquillo	
25	6194542M1	1	Nipple - Grease	Graisseur Coude	Nippel	Manguito, Engrasador	
26	6194628M91	0	Seal Kit	Jeu Etancheite	Dichtringsatz	Juego De Juntas	

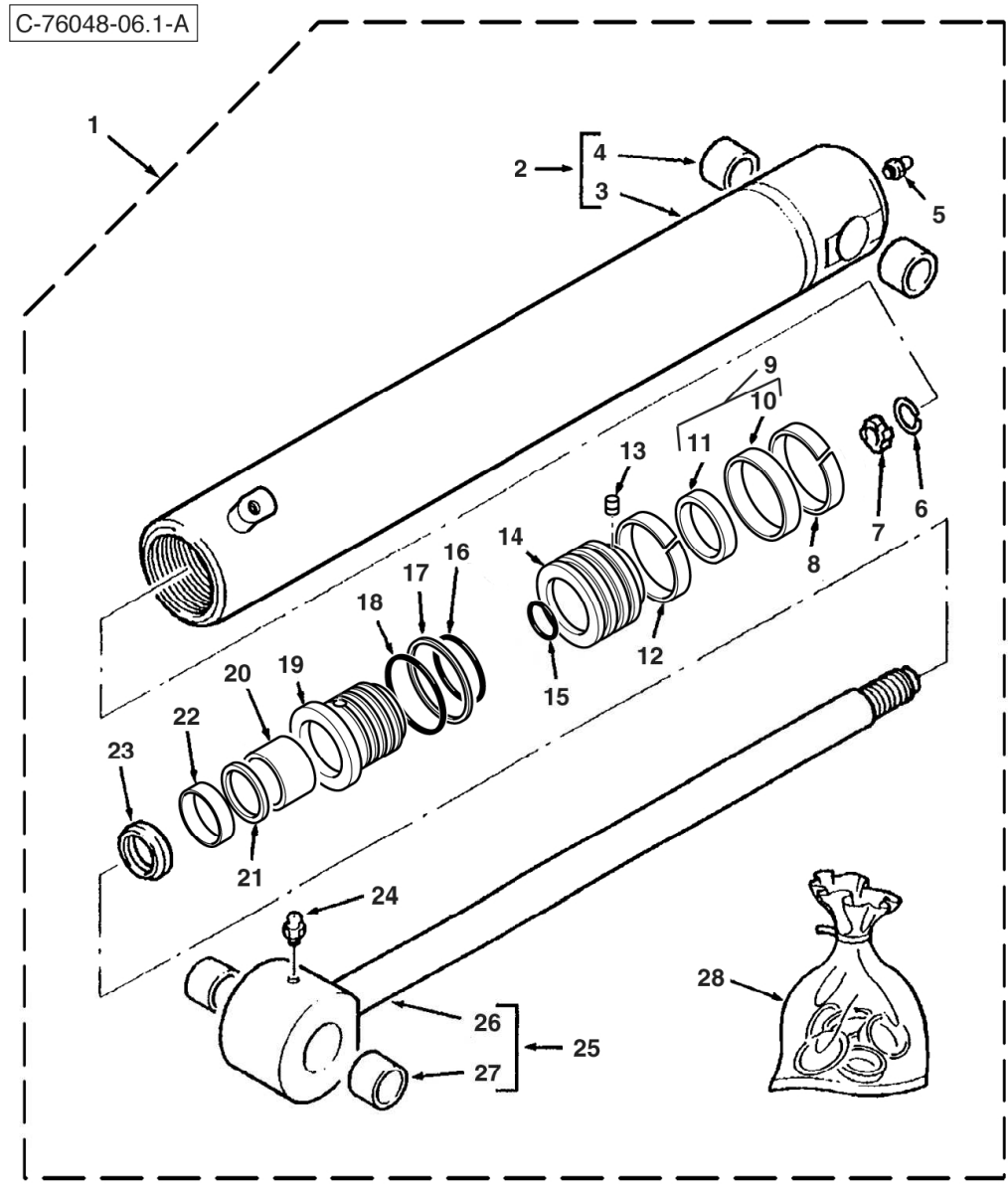


C-76048-05.1-A



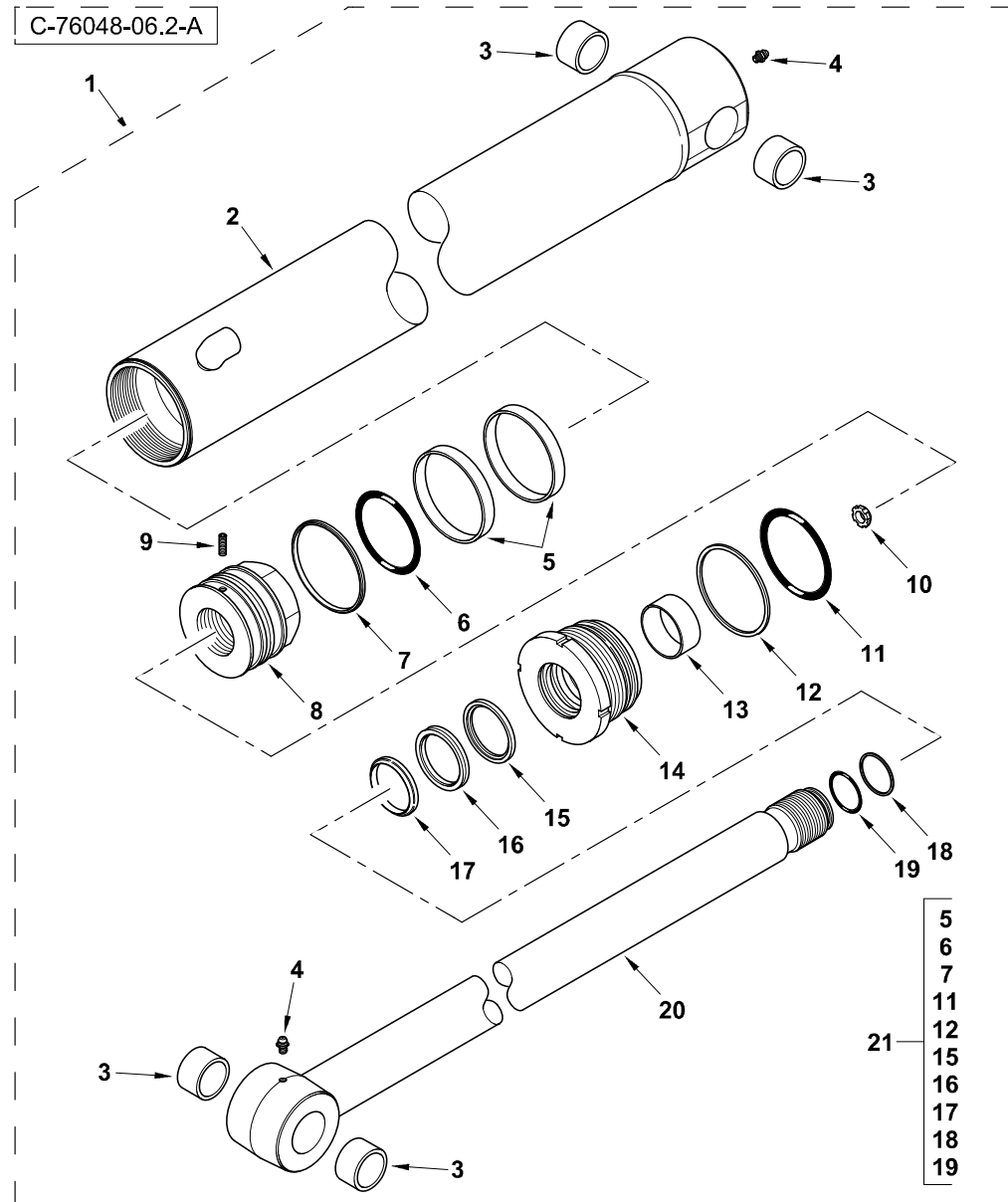
Item	Part No.	Qty.	English	French	German	Spanish	Remarks
1	5000123M91	1	Cylinder 4.9m Boom - High Spec.	L'Hie Hydraulique	Zylinder Hydr.	Gato, Conj.	Pacoma
1	6111079M91GY03	1	Cylinder Boom 4.9	Cylinder Boom 4.9	Cylinder Boom 4.9	Cylinder Boom 4.9	Wipro
2	835013M91	1	Connector 7/8 Jic	Raccord	Schraubanschluss	Conexión, Conj.	
3	#UNION	1	Union	Union	Union	Union	Ref. 2
4	835024M1	1	Ring O - Boa	Joint Torique	O Ring	Junta De Tipo O	
5	6111163M91	1	Tube Assy Boom Cylinder 4.9 Hb	Tuyauterie	Rohrleitung Kpl.	Conjunto De Tubería	Wipro
5	6102472M91	1	Tube-4.9 Boom Cyl Hose Burst	Tuyo	Leitung, Kpl.	Conjunto De Tubería	Pacoma
6	#WASHER	1	Washer	Rondelle	Unterlegscheibe	Arandela	
7	#BRACKET	1	Bracket	Bracket	Bracket	Bracket	
8	339228X1	2	Bolt, Hex. - M8 X 12 (Coarse)	Boulon M8 X 12	Maschschraube M8	Tornillo	
9	339374X1	2	Washer M8 -21-2 Z	Rondelle Frein - M8	Federring - M8	Arandela De Freno	
10	#WASHER	1	Washer	Rondelle	Unterlegscheibe	Arandela	
11	#NUT	1	Nut	Ecrou	Mutter	Tuerca	
12	#HOSE ASSY	1	Hose Assy	Hose Assy	Hose Assy	Hose Assy	Orange
13	#ELBOW	1	Elbow	Elbow	Elbow	Elbow	
14	#ELBOW	1	Elbow	Elbow	Elbow	Elbow	Ref. 13
15	#O-RING	1	O-Ring	Joint Torique	O-Ring	Junta Tórica	
16	6101736M92	1	Hose, "Blue" - Boom Cylinder Feed	Flexible	Schlauch	Flexible, Conj.	Blue
17	6102943M91	1	Hose-Boom Rod-Orange	Flexible Ass.	Schlauch Kplt	Flexible, Conj.	Orange
18	6102940M91	1	Hose-Boom Head-Blue	Flexible Ass.	Schlauch Kplt	Flexible, Conj.	Blue
19	515-23270	1	Clip-Coated P	Clip	Klips	Clip	
20	515-23206	1	P Clip Bsr081hs	Bride Pour Tutaux	Schlauchschelle	Abrazadera De Manguera	





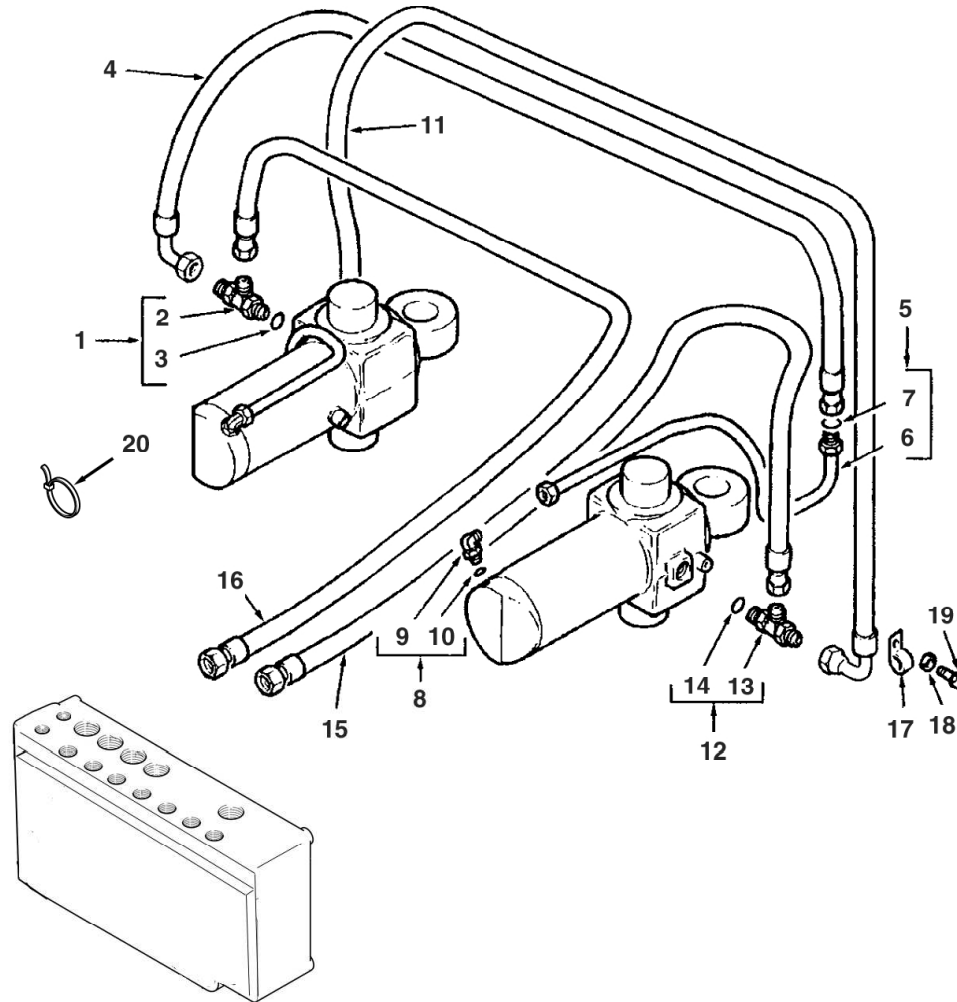
Item	Part No.	Qty.	English	French	German	Spanish	Remarks
1	5000123M91	1	Cylinder 4.9m Boom - High Spec.	L´Hie Hydraulique	Zylinder Hydr.	Gato, Conj.	76048c05.1 1
2	5003993M91	1	Barrel Assy	Cylindre	Zylinder	Cilindro	
3	#TUBE, CYLINDER	1	Tube, Cylinder	Tube, Cylinder	Tube, Cylinder	Tube, Cylinder	Ref. 2
4	#BUSHING	2	Bushing	Douille	Busche	Boccola	
5	339608X1	1	Grease Nipple - M10 X 1 (Zinc)	Nipple De Graissage	Schmiernippel	Engrasador	
6	1609899M1	1	Snap Ring	Anneau D´Arrêt	Sprengring	Anillo De Resorte	
7	1609328M1	1	Ring Cushioning	Anneau	Ring	Aro	
8	3403852M1	1	Ring, Guide - Piston	Anneau	Ring	Aro	
9	3485213M91	1	Seal Piston	Joint	Dichtung	Junta, Conj.	
10	#SEAL	1	Seal	Joint Étanchéité	Dichtring	Retén	Ref. 9
11	#SEAL	1	Seal	Joint Étanchéité	Dichtring	Retén	Ref. 9
12	3403852M1	1	Ring, Guide - Piston	Anneau	Ring	Aro	
13	3402928M1	1	Screw, Socket Head - Piston Locating	Vis Tête Hex	Zylinderschraube	Tornillo	
14	3484189M1	1	Piston	Piston	Kolben	Pistón	
15	3007182X1	1	O-Ring	Joint Torique	O-Ring	Junta De Tipo O	
16	359203X1	1	O-Ring	Joint Torique	O-Ring	Junta De Tipo O	
17	367120X1	1	Back-Up Ring	Contre Bague	Stützring	Aro	
18	3487909M1	1	O-Ring	Joint Torique	O-Ring	Junta De Tipo O	
19	3623202M1	1	Bearing	Roulement	Lager	Cojinete	
20	3623193M1	1	Guide Ring	Anneau	Ring	Aro	
21	3443388M1	1	Ring - Back Up	Anneau	Ring	Aro	
22	3443472M1	1	Seal	Joint D´Arbre	Wellendichtring	Junta	
23	3403385M1	1	Wiper Ring	Joint De Racleur	Abstreifdichtung	Junta Raspador	
24	339608X1	1	Grease Nipple - M10 X 1 (Zinc)	Nipple De Graissage	Schmiernippel	Engrasador	
25	3441722M91	1	Piston Rod Assy	Tige De Vérin	Kolbenstange	Vástago Cilindro	
26	#ROD, PISTON	1	Rod, Piston	Rod, Piston	Rod, Piston	Rod, Piston	Ref. 25
27	3484843M1	1	Bush, Hydr. Cylinders	Douille	Buechse	Casquillo	
28	3623589M91	1	Kit, Seal - Hydraulic Cylinder	Jeu Etancheite	Dichtringsatz	Juego De Juntas	





Item	Part No.	Qty.	English	French	German	Spanish	Remarks
1	6111079M91GY03	1	Cylinder Boom 4.9	Cylinder Boom 4.9	Cylinder Boom 4.9	Cylinder Boom 4.9	
2	6195264M91GY03	1	Tube - S/A (Terex Grey)	Tube - S/A (Terex Grey)	Tube - S/A (Terex Grey)	Tube - S/A (Terex Grey)	
3	6195253M1	4	Bush	Douille	Buchse	Casquillo	
4	6194542M1	2	Nipple - Grease	Graisseur Coude	Nippel	Manguito, Engrasador	
5	6195259M1	2	Bearing - Piston	Bearing - Piston	Bearing - Piston	Bearing - Piston	
6	6195258M1	1	O - Ring	O - Ring	O - Ring	O - Ring	
7	6195257M1	1	Seal - Piston	Seal - Piston	Seal - Piston	Seal - Piston	
8	6195251M1	1	Piston	Piston	Piston	Piston	
9	6195236M1	1	Set Screw - Hex Socket	Set Screw - Hex Socket	Set Screw - Hex Socket	Set Screw - Hex Socket	
10	6195235M1	1	Ring - Cushion	Ring - Cushion	Ring - Cushion	Ring - Cushion	
11	6195260M1	1	O - Ring	O - Ring	O - Ring	O - Ring	
12	6195261M1	1	Ring - Back Up	Ring - Back Up	Ring - Back Up	Ring - Back Up	
13	6195256M1	1	Bush - Bimetal	Bush - Bimetal	Bush - Bimetal	Bush - Bimetal	
14	6195252M1	1	Cover - H.E.	Cover - H.E.	Cover - H.E.	Cover - H.E.	
15	6194575M1	1	Seal - Rod (Primary)	Joint Étanchéité	Dichtring	Junta	
16	6195262M1	1	Seal - Rod (Secondary)	Seal - Rod (Secondary)	Seal - Rod (Secondary)	Seal - Rod (Secondary)	
17	6194573M1	1	Wiper	Essuyeur	Wischer	Raspador, Escobilla	
18	6194570M1	1	Ring - Back Up	Contre Bague	Stutzring	Contra junta	
19	6195247M1	1	O - Ring	O - Ring	O - Ring	O - Ring	
20	6195265M91	1	Piston Rod - S/A	Piston Rod - S/A	Piston Rod - S/A	Piston Rod - S/A	
21	6195263M91	1	Seal Kit	Jeu Etancheite	Dichtringsatz	Juego Retenes	

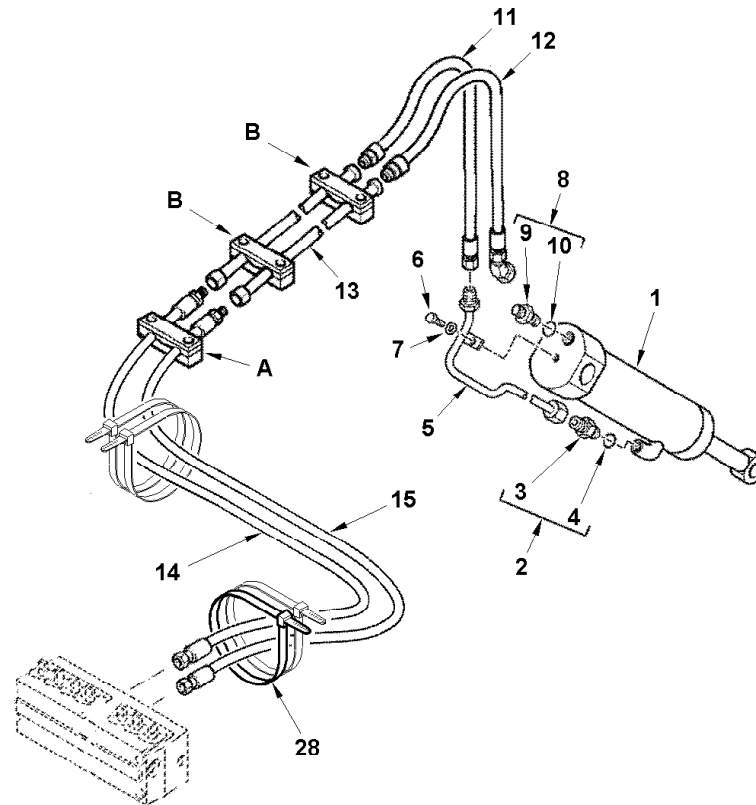
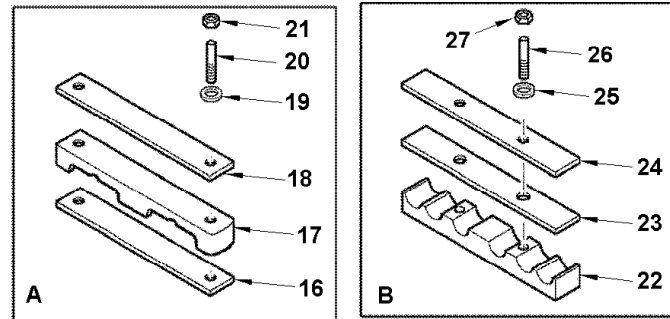
C-76048-07.1-A



Item	Part No.	Qty.	English	French	German	Spanish	Remarks
1	358728X91	1	Tee	Te	T-Stück	Te	
2	#TEE	1	Tee	Tee	Tee	Tee	Ref. 1
3	831497M1	1	O-Ring	Joint Torique	O-Ring	Junta De Tipo O	
4	6100716M91	1	Hose Slew Trsf	Flexible Ass.	Schlauch Kplt	Flexible, Conj.	
5	6111175M92	1	Tube Assy Slew	Ensemble Tube	Rohr Kpl	Conj.De Tubo	RH Wipro
5	6111174M92	1	Tube Assy Slew	Ensemble Tube	Rohr Kpl	Conj. De Tubo	LH Wipro
5	6100587M91	1	Tube Slew Trsf LH	Tuyauterie	Rohrleitung Kplt	Conjunto De Tubería	Pacoma
5	6100589M91	1	Tube Slew Trsf RH	Tuyauterie	Rohrleitung Kplt	Conjunto De Tubería	Pacoma
6	#TUBE	1	Tube	Tube	Tube	Tube	Ref. 5
7	394923X1	1	O Ring	Joint Torique	O Ring	Junta De Tipo O	
8	357197X91	2	Elbow & O Ring	Coude	Kniestück, 90°	Codo, 90°	
9	#ELBOW	1	Elbow	Elbow	Elbow	Elbow	Ref. 8
10	831452M1	1	O Ring (Pack Of 10)	Joint Torique	O Ring	Junta De Tipo O	
11	6100716M91	1	Hose Slew Trsf	Flexible Ass.	Schlauch Kplt	Flexible, Conj.	
12	358728X91	1	Tee	Te	T-Stück	Te	
13	#TEE	1	Tee	Tee	Tee	Tee	Ref. 12
14	831497M1	1	O-Ring	Joint Torique	O-Ring	Junta De Tipo O	
15	6100715M92	1	Hose-Digger-Green	Flexible Ass.	Schlauch Kplt	Flexible, Conj.	Purple
16	6101866M93	1	Hose-Digger-Green	Flexible Ass.	Schlauch Kplt	Flexible, Conj.	Green
17	3517114M2	2	P - Clip	Collier De Fixation	Befestigungsschelle	Argolla De Fijación	
18	385361X1	2	Washer M8 Hardened	Rondelle M8	Scheibe M8	Arandela	
19	339228X1	2	Bolt, Hex. - M8 X 12 (Coarse)	Boulon M8 X 12	Maschschraube M8	Tornillo	
20	1862425M1	1	Tie 385mm T50I	Attache Cable	Kabelbinder	Enlace De Cable	



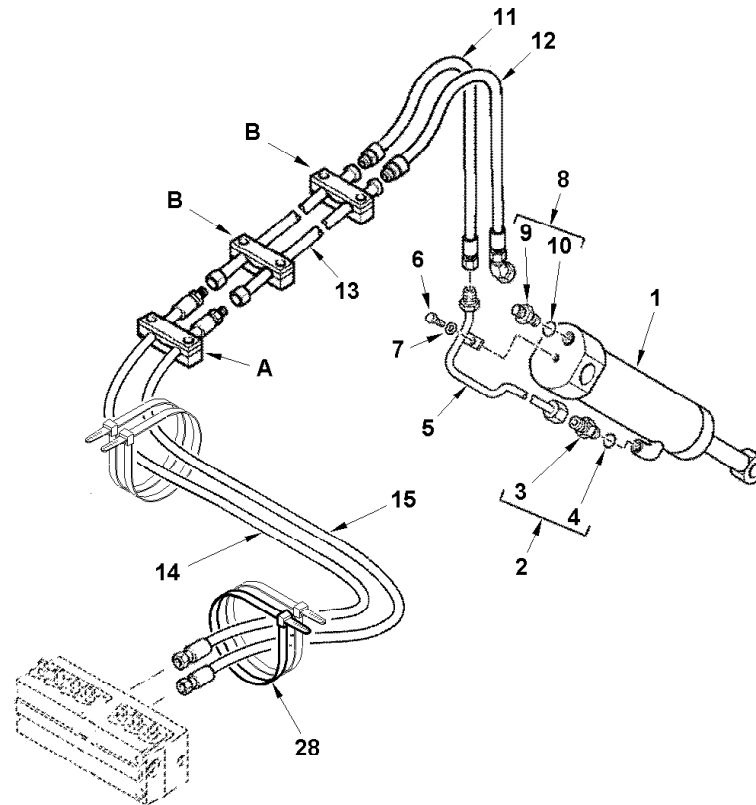
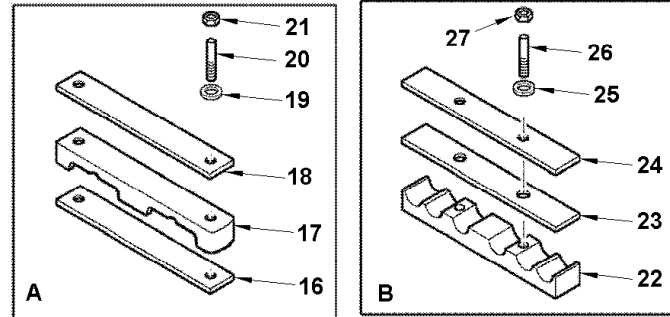
C-76049-01.1-B



Item	Part No.	Qty.	English	French	German	Spanish	Remarks
1	#CYLINDER ASSY	1	Cylinder Assy	Cylinder Assy	Cylinder Assy	Cylinder Assy	76049c02.1 1 76049c02.2 1
2	835013M91	1	Connector 7/8 Jic	Raccord	Schraubanschluss	Conexión, Conj.	
3	#UNION	1	Union	Union	Union	Union	Ref. 2
4	835024M1	1	Ring O - Boa	Joint Torique	O Ring	Junta De Tipo O	
5	6101540M91	1	Tube Assy Bucket	Tuyauterie	Rohrleitung Kplt	Conjunto De Tubería	Tba Pacoma
5	6111161M91	1	Tube Assembly - Digger Bucket Cylinder	Tuyauterie	Rohrleitung Kplt	Conjunto De Tubería	Tba Wipro
6	339123X1	1	Bolt M8-20 Z5f	Boulon M8 X 20	Maschschraube M8	Perno	
7	385361X1	1	Washer M8 Hardened	Rondelle M8	Scheibe M8	Arandela	
8	835010M91	1	Elbow 45 Adj 7/8unf	Coude 135°	Winkelstück	Codo, 45°	
9	#ELBOW	1	Elbow	Elbow	Elbow	Elbow	Ref. 8
10	835024M1	1	Ring O - Boa	Joint Torique	O Ring	Junta De Tipo O	
11	#HOSE ASSY	1	Hose Assy	Hose Assy	Hose Assy	Hose Assy	Brown
12	#HOSE ASSY	1	Hose Assy	Hose Assy	Hose Assy	Hose Assy	White
13	6101431M91	2	Tube-4.9 Boom Bucket	Tuyauterie	Rohrleitung Kplt	Conjunto De Tubería	Ec05/328
13	6111139M91	2	Tube Assy - Bkt 4.9m Boom	Ensemble Tube	Rohr Kpl	Conjunto De Tubería	Ec05/328
14	6111143M91	1	Hose Assy - Bucket Rod (Brown C/Mount)	Ensemble Durit	Schlauch Kpl	Flexible, Conj.	Brown Ec05/328
14	6102945M91	1	Hose-Bucket Rod-Brown	Flexible Ass.	Schlauch Kplt	Flexible, Conj.	Brown Ec05/328
15	6102942M91	1	Hose-Bucket Head-White	Flexible Ass.	Schlauch Kplt	Flexible, Conj.	White Ec05/328
15	6111144M91	1	Hose Assy- Bucket HD (White Centremount)	Ensemble Durit	Schlauch Kpl	Flexible, Conj.	White Ec05/328
16	6102128M1	1	Pad-Neoprene	Plaque Antidérapante	Zwischenlage	Cinta Antideslizante	
17	6102122M1	1	Clamp	Collier De Serrage	Klemme	Brida De Fijación	
18	6102130M1	1	Plate-Clamp	Plaque	Platte	Placa	
19	390972X1	2	Washer M8-17-1 Zwel	Rondelle M8	Scheibe - M8	Arandela	
20	3516075M1	2	Stud M8-65 Z5	Goujon	Stehbolzen	Espárrago	
21	394367X1	2	Nut, Hex. - Nyloc, M8	Ecrou Blocage M8	Flachmutter - M8	Tuerca De Retención	
22	6102126M1	2	Clamp	Collier De Serrage	Klemme	Brida De Fijación	
23	6102145M1	2	Pad-Neoprene	Plaque Antidérapante	Zwischenlage	Cinta Antideslizante	
24	6102124M1	2	Plate-Top	Plaque	Platte	Placa	
25	390972X1	4	Washer M8-17-1 Zwel	Rondelle M8	Scheibe - M8	Arandela	
26	6108049M1	4	Stud M8	Goujon	Stehbolzen	Espárrago	

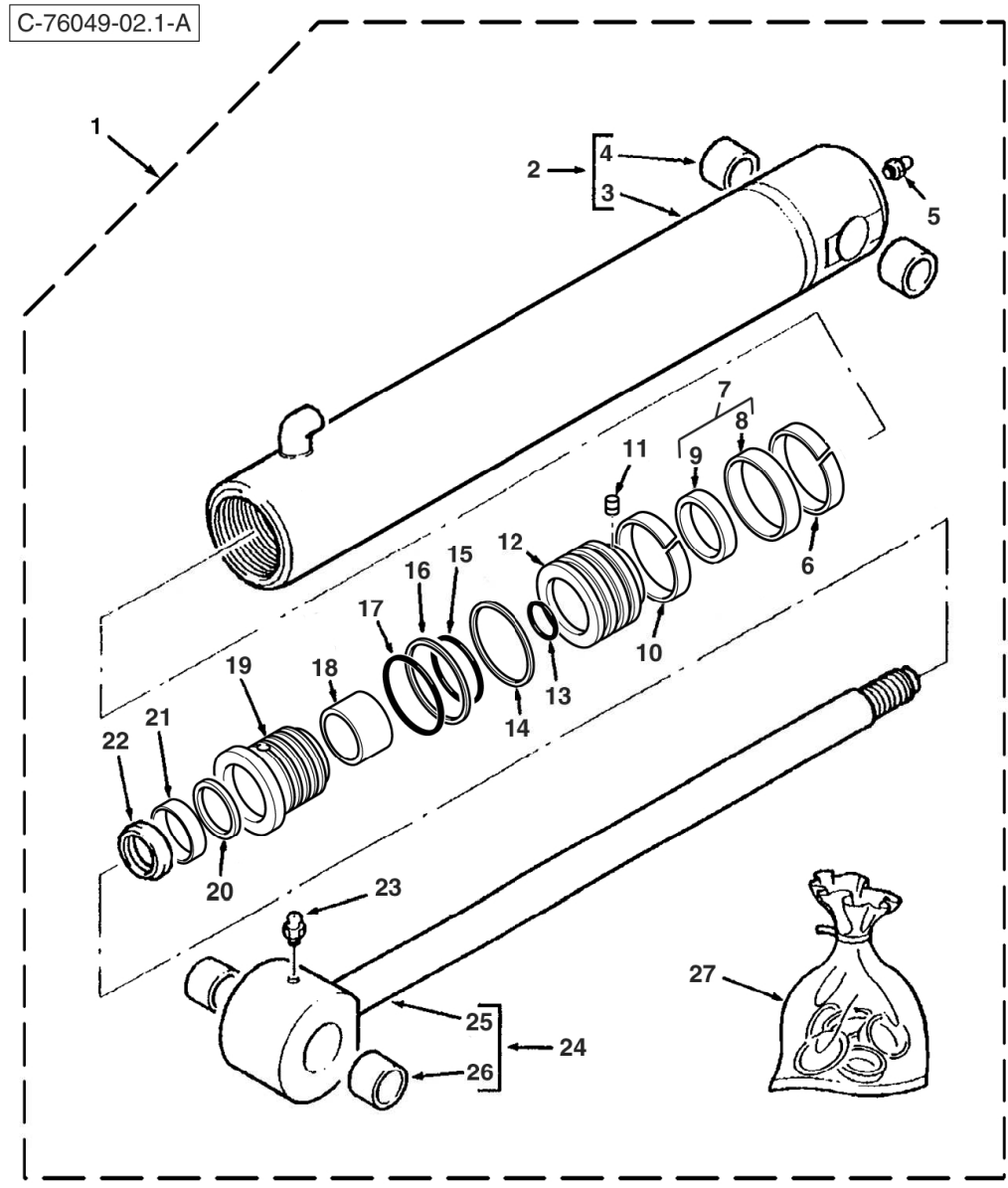


C-76049-01.1-B



Item	Part No.	Qty.	English	French	German	Spanish	Remarks
27	394367X1	4	Nut, Hex. - Nyloc, M8	Ecrou Blocage M8	Flachmutter - M8	Tuerca De Retención	
28	8000-1379	4	Tie Wrap (530 X 13mm)	Bride	Buegel	Banda	

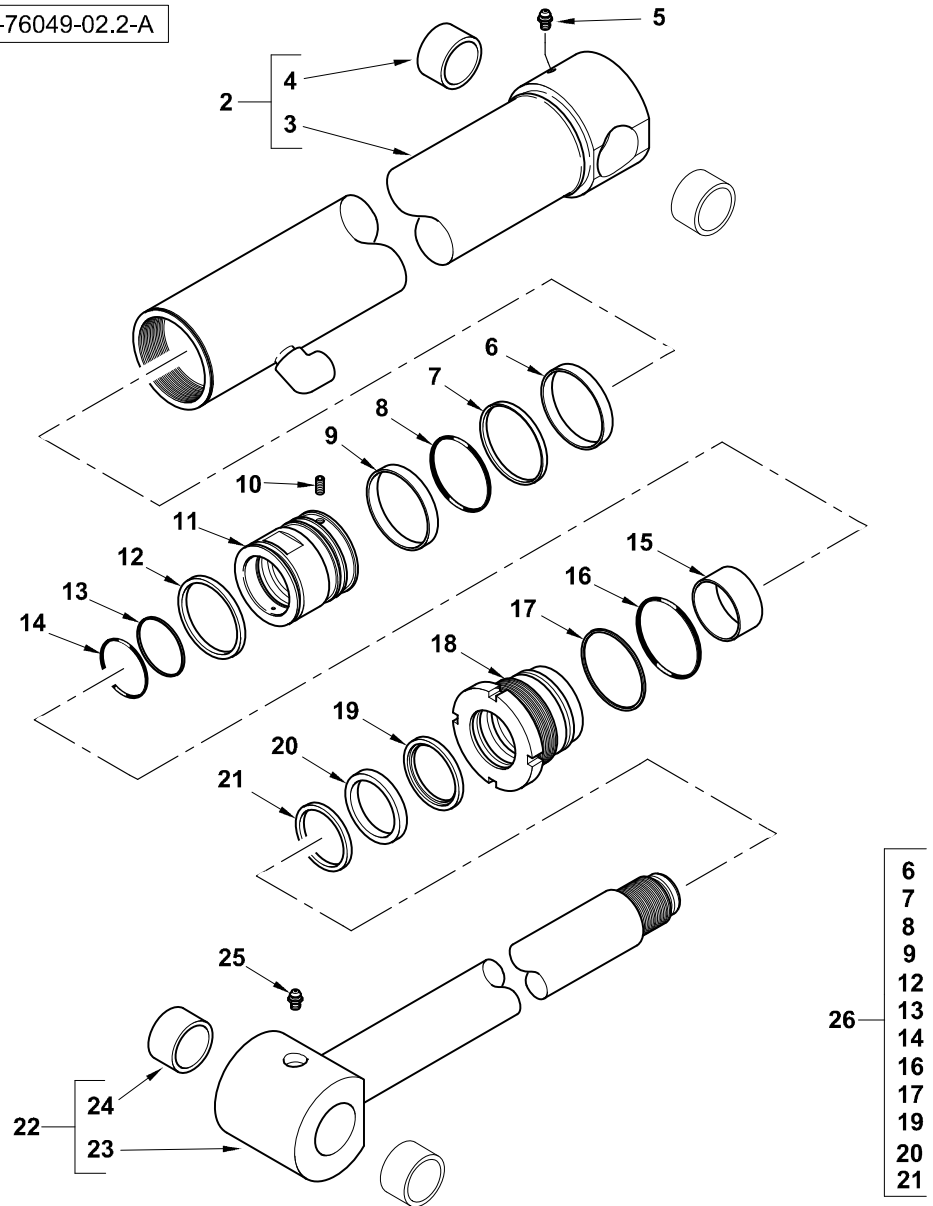




Item	Part No.	Qty.	English	French	German	Spanish	Remarks
1	5000126M91GY02	1	Cylinder Digger Bucket (Benford Grey)	L´Hie Hydraulique	Zylinder Hydr.	Gato, Conj.	Tba [76049c01.1 1]
2	5004008M91	1	Barrel Assy	Cylindre	Zylinder	Cilindro	
3	#TUBE, CYLINDER	1	Tube, Cylinder	Tube, Cylinder	Tube, Cylinder	Tube, Cylinder	Ref. 2
4	#BUSHING	1	Bushing	Douille	Busche	Boccola	
5	339608X1	1	Grease Nipple - M10 X 1 (Zinc)	Nipple De Graissage	Schmiernippel	Engrasador	
6	3485892M1	1	Guide Ring Piston	Bague D´Étanchéité	Dichtungsring	Anillo, Estanqueidad	
7	3485245M91	1	Seal Assy Piston	Joint Ass.	Dichtung Kplt	Junta, Conj.	
8	#SEAL	1	Seal	Joint Étanchéité	Dichtring	Retén	Ref. 7
9	#RING	1	Ring	Anneau	Ring	Aro	Ref. 7
10	3485892M1	1	Guide Ring Piston	Bague D´Étanchéité	Dichtungsring	Anillo, Estanqueidad	
11	3402928M1	1	Screw, Socket Head - Piston Locating	Vis Tête Hex	Zylinderschraube	Tornillo	
12	3623372M1	1	Piston	Piston	Kolben	Pistón	
13	359186X1	1	O-Ring	Joint Torique	O-Ring	Junta De Tipo O	
14	3623061M1	1	Ring Piston	Segment De Piston	Kolbenring	Segmento De Pistón	
15	359193X1	1	O-Ring	Joint Torique	O-Ring	Junta De Tipo O	
16	1606735M1	1	Ring Back-Up	Contre Bague	Stützring	ContraJunta	
17	3487207M1	1	O-Ring	Joint Torique	O-Ring	Junta De Tipo O	
18	3484615M1	1	Guide Ring	Anneau	Ring	Aro	
19	3623371M1	1	Gland - Bucket Cylinder	Presse Étoupe	Stopfbuchse	Cojinete	
20	3484055M1	1	Ring Buffer	Anneau	Ring	Aro	
21	3485185M1	1	Seal	Joint D´Arbre	Wellendichtring	Junta	
22	3487015M1	1	Wiper Ring	Anneau	Ring	Aro	
23	339608X1	1	Grease Nipple - M10 X 1 (Zinc)	Nipple De Graissage	Schmiernippel	Engrasador	
24	5004012M91	1	Piston Rod Assy - Nla	Tige De Vérin	Kolbenstange	Vástago Cilindro	
25	#ROD, PISTON	1	Rod, Piston	Rod, Piston	Rod, Piston	Rod, Piston	Ref. 24
26	#BUSHING	1	Bushing	Douille	Busche	Boccola	
27	3623373M91	1	Kit Seal	Jeu Etancheite	Dichtringsatz	Juego De Juntas	

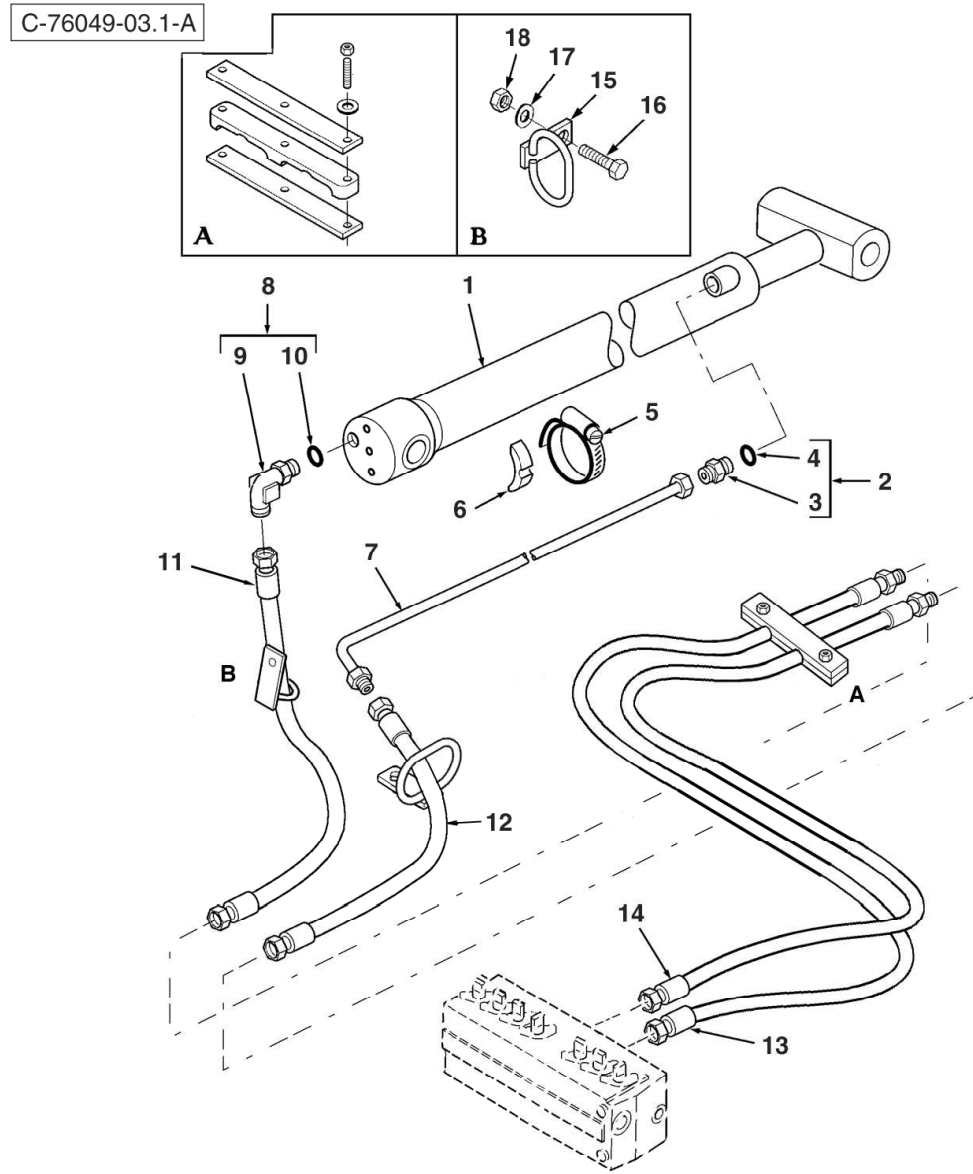


C-76049-02.2-A



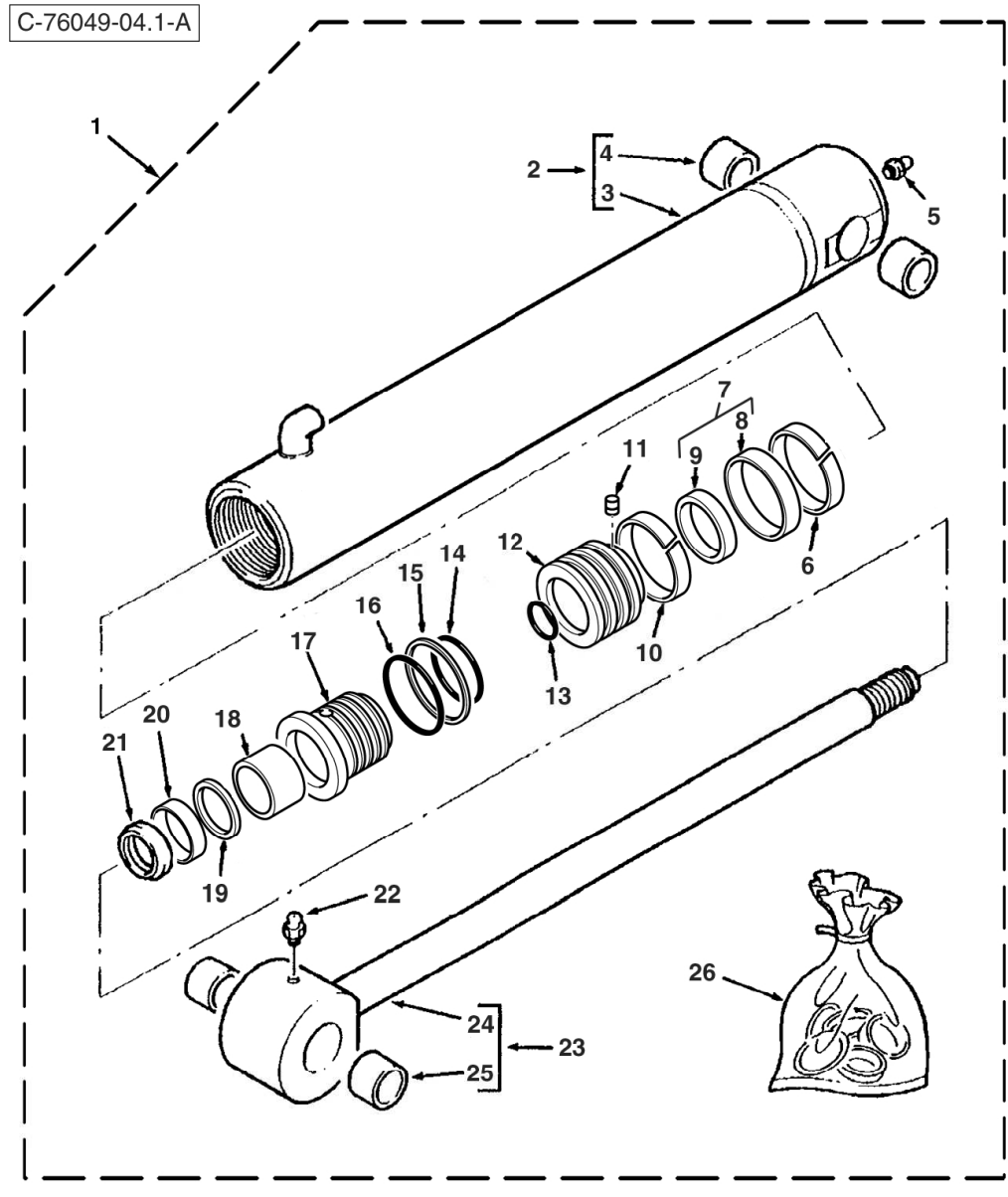
Item	Part No.	Qty.	English	French	German	Spanish	Remarks
1	6111070M91GY03	1	Cylinder- Digger Bucket	Cylindre	Zylinder	Gato, Conj.	Tba [76049c01.1 1]
2	6194629M91	1	Barrel - Cylinder	Corps Cylindre	Zylindergehäuse	Tubo	
3	#TUBE	1	Tube	Tube	Tube	Tube	Ref. 2
4	6194562M1	2	Bush	Douille	Büchse	Casquillo	
5	6194542M1	1	Nipple - Grease	Graisseur Coude	Nippel	Manguito, Engrasador	
6	6194634M1	1	Bearing - Piston	Coussinet	Lager	Teniendo - Pistón	
7	6194635M1	1	Seal - Piston	Joint Étanchéité	Dichtring	Junta	
8	6194636M1	1	O Ring (Std)	Joint Torique	O Ring	Junta De Tipo O	
9	6194634M1	1	Bearing - Piston	Coussinet	Lager	Teniendo - Pistón	
10	6194633M1	1	Set Screw - Hex Socket	Vis Tete Hex	Zylinderschraube	Tornillo De Ajuste	
11	6194631M1	1	Piston	Piston	Kolben	Pistón	
12	6194637M1	1	Ring - Piston	Segment Piston	Kolbenring	Segmento De Pistón	
13	6194625M1	1	Ring - Back Up	Contre Bague	Stutzring	ContraJunta	
14	6194624M1	1	O Ring (Std)	Joint Torique	O Ring	Junta De Tipo O	
15	6194541M1	1	Bush - Bimetal	Douille	Büchse	Juego De Anillos	
16	6194640M1	1	O Ring (Std)	Joint Torique	O Ring	Junta De Tipo O	
17	6194641M1	1	Ring - Back Up	Contre Bague	Stutzring	ContraJunta	
18	6194632M1	1	End Cover - Head	Couvercle	Deckel	Tapa	
19	6194638M1	1	Seal - Rod (Primary)	Joint Étanchéité	Dichtring	Junta	
20	6194639M1	1	Seal- Rod (Secondary)	Joint Étanchéité	Dichtring	Junta	
21	6194554M1	1	Wiper	Essuyeur	Wischer	Raspador, Escobilla	
22	6194630M91	1	Rod - Piston	Bielle De Piston	Pleuelstange	Rod - Pistón	
23	#ROD	1	Rod	Rod	Rod	Rod	Ref. 22
24	6194562M1	2	Bush	Douille	Büchse	Casquillo	
25	6194542M1	1	Nipple - Grease	Graisseur Coude	Nippel	Manguito, Engrasador	
26	6194642M91	0	Seal Kit	Jeu Etancheite	Dichtringsatz	Juego De Juntas	





Item	Part No.	Qty.	English	French	German	Spanish	Remarks
1	#CYLINDER ASSY	1	Cylinder Assy	Cylinder Assy	Cylinder Assy	Cylinder Assy	76049c04.1 1 76049c04.2 1
2	835013M91	1	Connector 7/8 Jic	Raccord	Schraubanschluss	Conexión, Conj.	
3	#UNION	1	Union	Union	Union	Union	Ref. 2
4	835024M1	1	Ring O - Boa	Joint Torique	O Ring	Junta De Tipo O	
5	3517733M1	1	Clamp Hose 130-150	Collier De Serrage	Schlauchbinder	Argolla De Cierre	
6	D142787	1	Saddle (See 142787d)	Selle	Sattel	Bloque De Caucho	
7	#TUBE ASSY	1	Tube Assy	Tube Assy	Tube Assy	Tube Assy	
8	#ELBOW	1	Elbow	Elbow	Elbow	Elbow	
9	#ELBOW	1	Elbow	Elbow	Elbow	Elbow	Ref. 8
10	#O-RING	1	O-Ring	Joint Torique	O-Ring	Junta Tórica	
11	6101738M91	1	Hose-Dipper Head	Flexible Ass.	Schlauch Kplt	Flexible, Conj.	Yellow
12	6101737M91	1	Hose-Dipper Rod	Flexible Ass.	Schlauch Kplt	Flexible, Conj.	Red
13	6102941M91	1	Hose-Dipper Head-Yellow	Flexible Ass.	Schlauch Kplt	Flexible, Conj.	Yellow
14	6102944M91	1	Hose-Dipper Rod	Flexible Ass.	Schlauch Kplt	Flexible, Conj.	Red
15	6101491M92	2	Hose Hoop Assy	Ensemble De Support	Haltevorrichtung Kpl.	Apoyadero, Conj.	
16	339761X1	2	Bolt M8-25 Z5f	Goupille	Bolzen M8 X 25	Tornillo	
17	390972X1	2	Washer M8-17-1 Zwl	Rondelle M8	Scheibe - M8	Arandela	
18	394367X1	2	Nut, Hex. - Nyloc, M8	Ecrou Blocage M8	Flachmutter - M8	Tuerca De Retención	

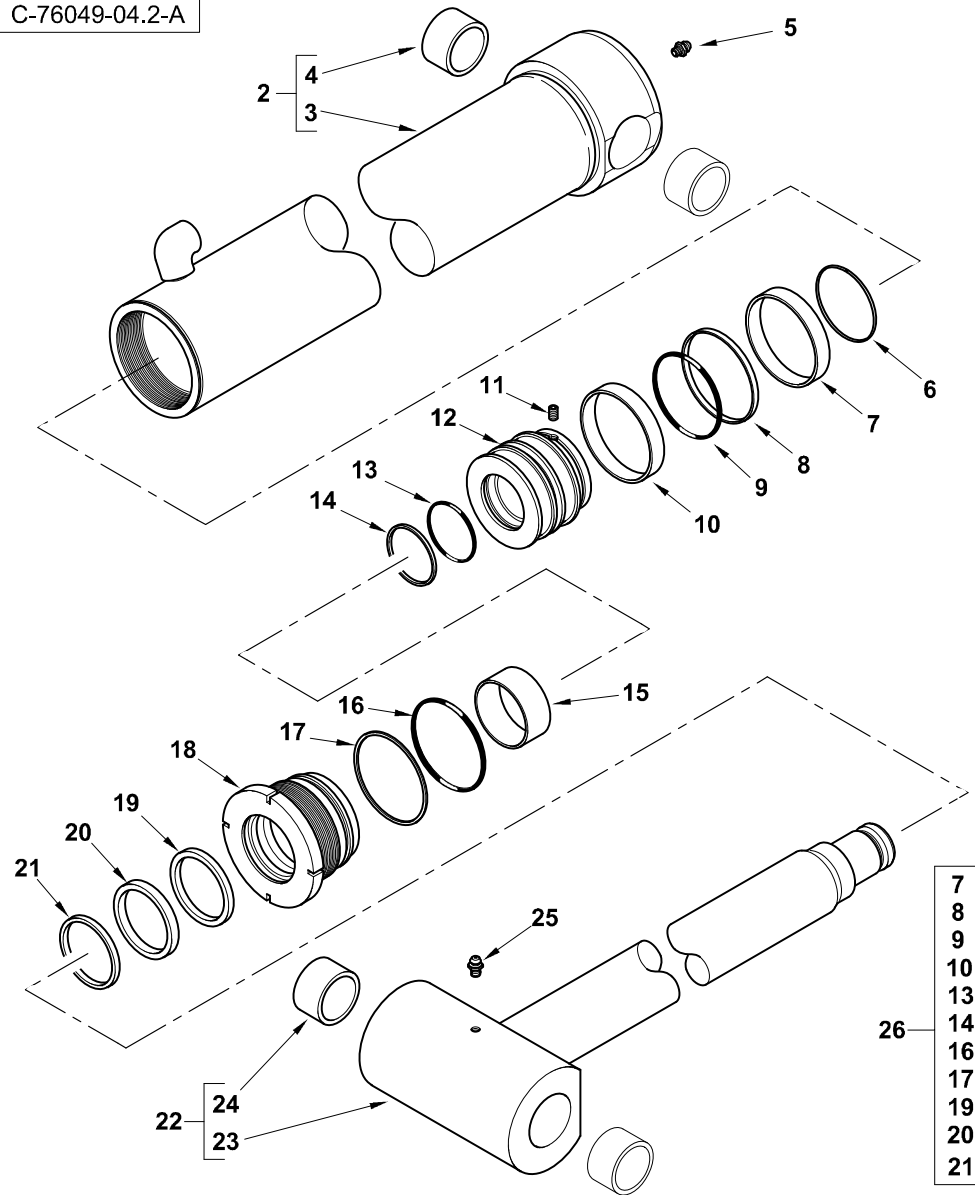




Item	Part No.	Qty.	English	French	German	Spanish	Remarks
1	5000124M91GY02	1	Cylinder Dipperstick (Benford Grey)	L´Hie Hydraulique	Zylinder Hydr.	Gato, Conj.	Tba [76049c03.1 1]
2	5003982M91	1	Barrel Assy. - Dipper Cylinder	Corps Cylindre	Zylindergehause	Cilindro	
3	#TUBE, CYLINDER	1	Tube, Cylinder	Tube, Cylinder	Tube, Cylinder	Tube, Cylinder	Ref. 2
4	3484843M1	1	Bush, Hydr. Cylinders	Douille	Buechse	Casquillo	
5	339608X1	1	Grease Nipple - M10 X 1 (Zinc)	Nipple De Graissage	Schmiernippel	Engrasador	
6	3485891M1	1	Guide Ring Piston	Anneau	Ring	Aro	
7	3485247M91	1	Seal Piston	Joint	Dichtung	Junta, Conj.	
8	#SEAL	1	Seal	Joint Étanchéité	Dichtring	Retén	Ref. 7
9	#RING	1	Ring	Anneau	Ring	Aro	Ref. 7
10	3485891M1	1	Guide Ring Piston	Anneau	Ring	Aro	
11	3402928M1	1	Screw, Socket Head - Piston Locating	Vis Tête Hex	Zylinderschraube	Tornillo	
12	5003989M1	1	Piston	Piston	Kolben	Pistón	
13	3007182X1	1	O-Ring	Joint Torique	O-Ring	Junta De Tipo O	
14	359196X1	1	O Ring	Joint Torique	O Ring	Junta De Tipo O	
15	378545X1	1	Ring - Backup	Contre Bague	Stutzring	Aro	
16	3487908M1	1	O Ring, Hydr. Cylinder	Joint Torique	O Ring	Junta De Tipo O	
17	5003988M1	1	Bearing Cylinder	Roulement	Lager	Cojinete	
18	3623193M1	1	Guide Ring	Anneau	Ring	Aro	
19	3443388M1	1	Ring - Back Up	Anneau	Ring	Aro	
20	3443472M1	1	Seal	Joint D´Arbre	Wellendichtring	Junta	
21	3403385M1	1	Wiper Ring	Joint De Racleur	Abstreifdichtung	Junta Raspador	
22	339608X1	1	Grease Nipple - M10 X 1 (Zinc)	Nipple De Graissage	Schmiernippel	Engrasador	
23	5003985M91	1	Piston Rod Assy	Tige De Vérin	Kolbenstange	Vástago Cilindro	
24	#ROD, PISTON	1	Rod, Piston	Rod, Piston	Rod, Piston	Rod, Piston	Ref. 23
25	3484843M1	1	Bush, Hydr. Cylinders	Douille	Buechse	Casquillo	
26	5004401M91	1	Kit Seal	Jeu Étanchéité	Dichtringsatz	Juego De Juntas	



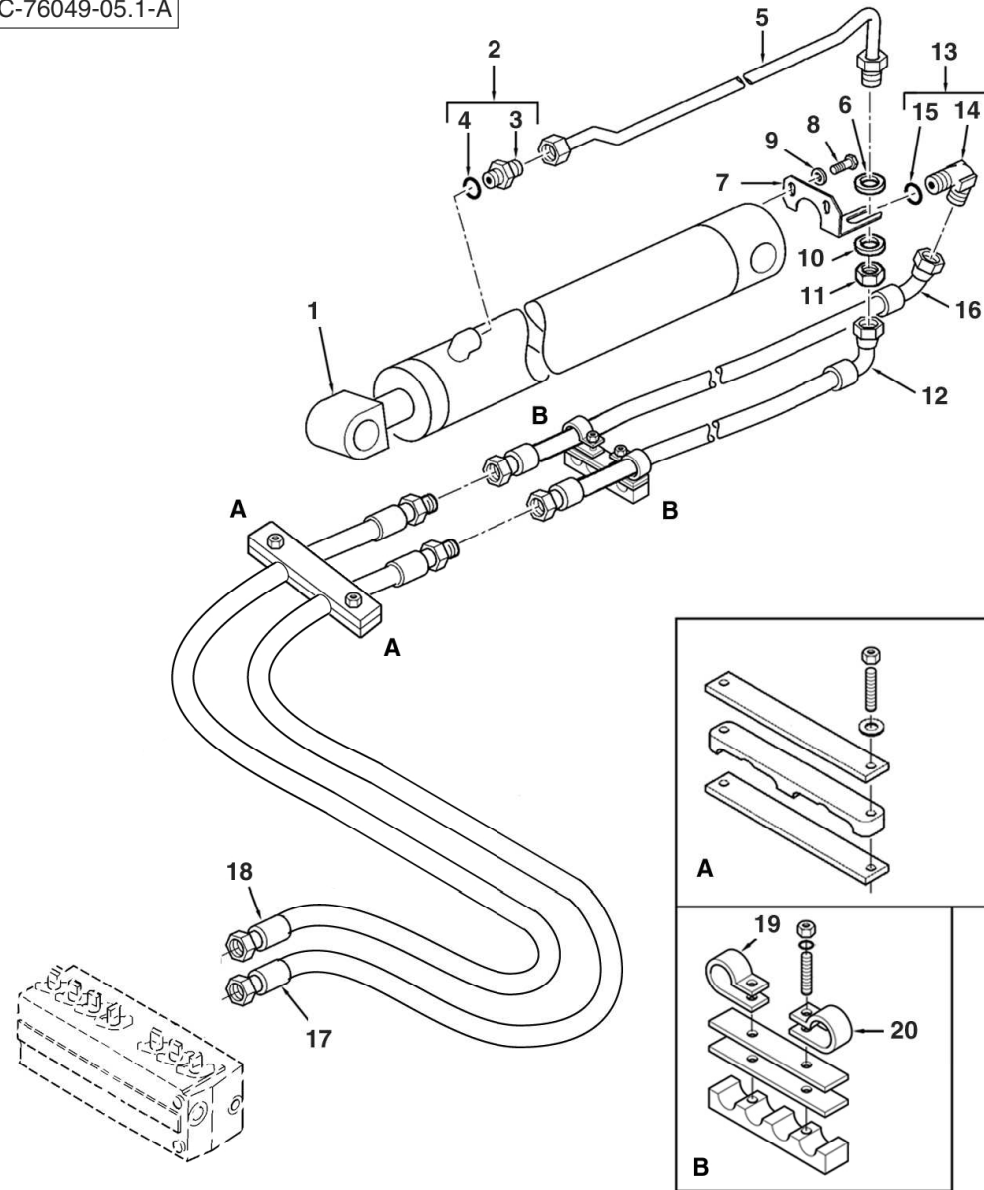
C-76049-04.2-A



Item	Part No.	Qty.	English	French	German	Spanish	Remarks
1	6111069M91GY03	1	Cylinder - Dipperstick	Cylindre	Zylinder	Gato, Conj.	Tba [76049c03.1 1]
2	6194615M91	1	Barrel - Cylinder	Corps Cylindre	Zylindergehäuse	Conjunto De Tubería	
3	#TUBE	1	Tube	Tube	Tube	Tube	Ref. 2
4	6194562M1	2	Bush	Douille	Büchse	Casquillo	
5	6194542M1	1	Nipple - Grease	Graisseur Coude	Nippel	Manguito, Engrasador	
6	6194620M1	1	Ring - Snap	Fermeoir	Sprengring	Anillo De Resorte	
7	6194621M1	1	Bearing - Piston	Coussinet	Lager	Teniendo - Pistón	
8	6194622M1	1	Seal - Piston	Joint Étanchéité	Dichtring	Junta	
9	6194623M1	1	O Ring (Std)	Joint Torique	O Ring	Junta De Tipo O	
10	6194621M1	1	Bearing - Piston	Coussinet	Lager	Teniendo - Pistón	
11	6194619M1	1	Set Screw	Vis	Schraube	Tornillo De Ajuste	
12	6194617M1	1	Piston	Piston	Kolben	Pistón	
13	6194624M1	1	O Ring (Std)	Joint Torique	O Ring	Junta De Tipo O	
14	6194625M1	1	Ring - Back Up	Contre Bague	Stutzring	ContraJunta	
15	6194565M1	1	Bush - Bimetal	Douille	Büchse	Juego De Anillos	
16	6194626M1	1	O Ring (Std)	Joint Torique	O Ring	Junta De Tipo O	
17	6194627M1	1	Ring - Back Up	Contre Bague	Stutzring	ContraJunta	
18	6194618M1	1	End Cover - Head	Couvercle	Deckel	Tapa	
19	6194575M1	1	Seal - Rod (Primary)	Joint Étanchéité	Dichtring	Junta	
20	6194576M1	1	Seal- Rod (Secondary)	Joint Étanchéité	Dichtring	Junta	
21	6194573M1	1	Wiper	Essuyeur	Wischer	Raspador, Escobilla	
22	6194616M91	1	Rod - Piston	Bielle De Piston	Pleuelstange	Rod - Pistón	
23	#ROD	1	Rod	Rod	Rod	Rod	Ref. 22
24	6194562M1	2	Bush	Douille	Büchse	Casquillo	
25	6194542M1	1	Nipple - Grease	Graisseur Coude	Nippel	Manguito, Engrasador	
26	6194628M91	0	Seal Kit	Jeu Etancheite	Dichtringsatz	Juego De Juntas	

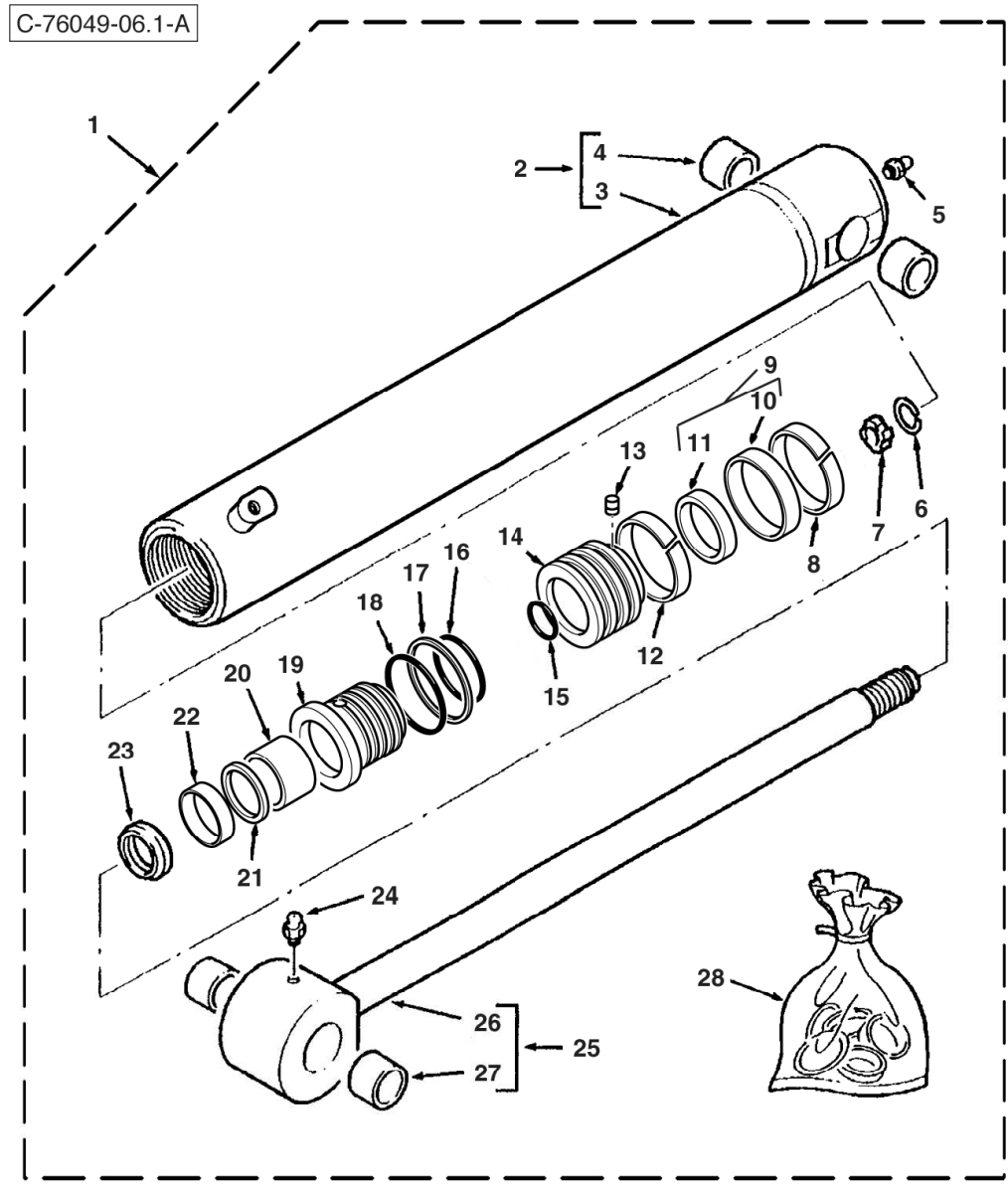


C-76049-05.1-A



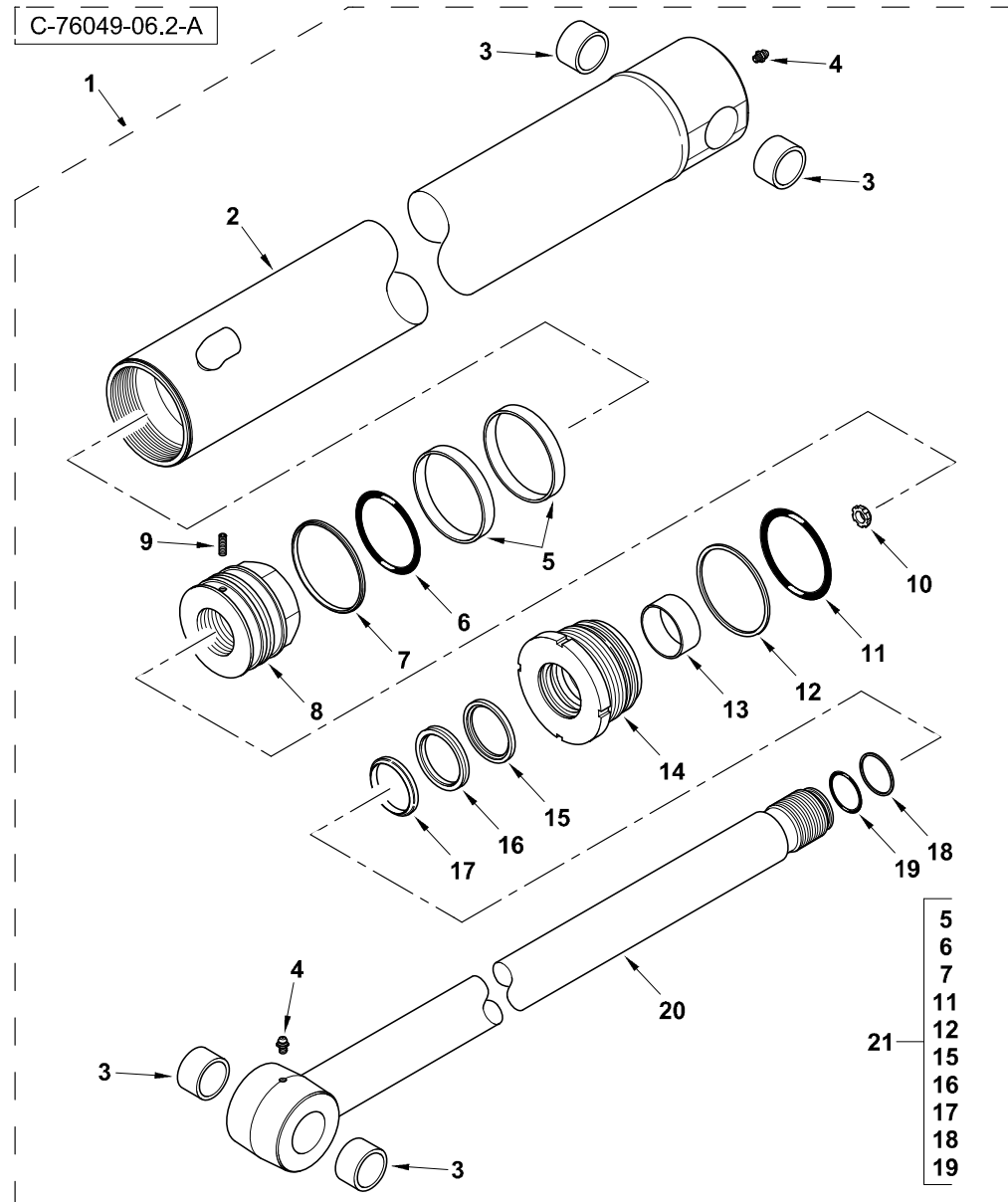
Item	Part No.	Qty.	English	French	German	Spanish	Remarks
1	6111079M91GY03	1	Cylinder Boom 4.9	Cylinder Boom 4.9	Cylinder Boom 4.9	Cylinder Boom 4.9	Wipro
1	5000123M91	1	Cylinder 4.9m Boom - High Spec.	L' Hie Hydraulique	Zylinder Hydr.	Gato, Conj.	Pacoma
2	835013M91	1	Connector 7/8 Jic	Raccord	Schraubanschluss	Conexión, Conj.	
3	#UNION	1	Union	Union	Union	Union	Ref. 2
4	835024M1	1	Ring O - Boa	Joint Torique	O Ring	Junta De Tipo O	
5	6102472M91	1	Tube-4.9 Boom Cyl Hose Burst	Tuyo	Leitung, Kpl.	Conjunto De Tubería	Pacoma
5	6111163M91	1	Tube Assy Boom Cylinder 4.9 Hb	Tuyauterie	Rohrleitung Kpl.	Conjunto De Tubería	Wipro
6	#WASHER	1	Washer	Rondelle	Unterlegscheibe	Arandela	
7	#BRACKET	1	Bracket	Bracket	Bracket	Bracket	
8	339228X1	2	Bolt, Hex. - M8 X 12 (Coarse)	Boulon M8 X 12	Maschschraube M8	Tornillo	
9	339374X1	2	Washer M8 -21-2 Z	Rondelle Frein - M8	Federring - M8	Arandela De Freno	
10	#WASHER	1	Washer	Rondelle	Unterlegscheibe	Arandela	
11	#NUT	1	Nut	Ecrou	Mutter	Tuerca	
12	#HOSE ASSY	1	Hose Assy	Hose Assy	Hose Assy	Hose Assy	Orange
13	#ELBOW	1	Elbow	Elbow	Elbow	Elbow	
14	#ELBOW	1	Elbow	Elbow	Elbow	Elbow	Ref. 13
15	#O-RING	1	O-Ring	Joint Torique	O-Ring	Junta Tórica	
16	6101736M92	1	Hose, "Blue" - Boom Cylinder Feed	Flexible	Schlauch	Flexible, Conj.	Blue
17	6102943M91	1	Hose-Boom Rod-Orange	Flexible Ass.	Schlauch Kplt	Flexible, Conj.	Orange
18	6102940M91	1	Hose-Boom Head-Blue	Flexible Ass.	Schlauch Kplt	Flexible, Conj.	Blue
19	515-23270	1	Clip-Coated P	Clip	Klips	Clip	
20	515-23206	1	P Clip Bsr081hs	Bride Pour Tutaux	Schlauchschelle	Abrazadera De Manguera	





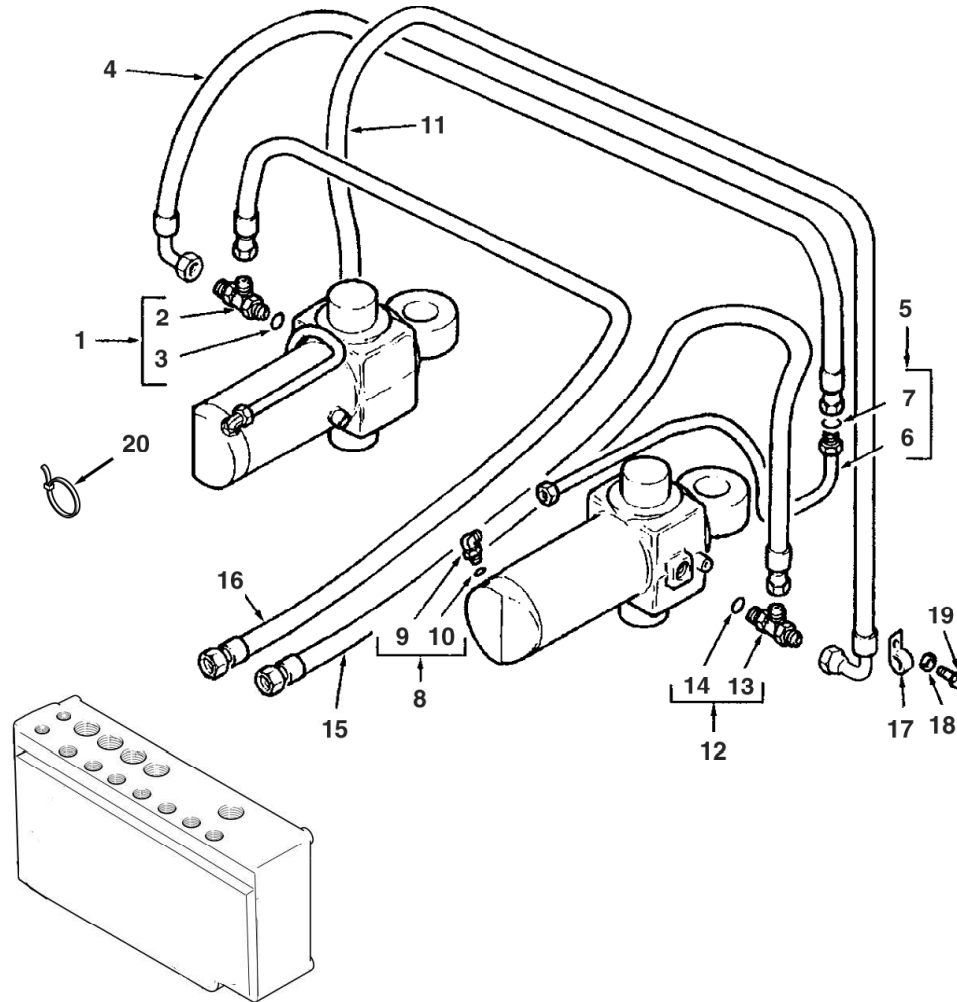
Item	Part No.	Qty.	English	French	German	Spanish	Remarks
1	5000123M91	1	Cylinder 4.9m Boom - High Spec.	L'Hie Hydraulique	Zylinder Hydr.	Gato, Conj.	76049c05.1 1
2	5003993M91	1	Barrel Assy	Cylindre	Zylinder	Cilindro	
3	#TUBE, CYLINDER	1	Tube, Cylinder	Tube, Cylinder	Tube, Cylinder	Tube, Cylinder	Ref. 2
4	#BUSHING	2	Bushing	Douille	Busche	Boccola	
5	339608X1	1	Grease Nipple - M10 X 1 (Zinc)	Nipple De Graissage	Schmiernippel	Engrasador	
6	1609899M1	1	Snap Ring	Anneau D'Arrêt	Sprengring	Anillo De Resorte	
7	1609328M1	1	Ring Cushioning	Anneau	Ring	Aro	
8	3403852M1	1	Ring, Guide - Piston	Anneau	Ring	Aro	
9	3485213M91	1	Seal Piston	Joint	Dichtung	Junta, Conj.	
10	#SEAL	1	Seal	Joint Étanchéité	Dichtring	Retén	Ref. 9
11	#SEAL	1	Seal	Joint Étanchéité	Dichtring	Retén	Ref. 9
12	3403852M1	1	Ring, Guide - Piston	Anneau	Ring	Aro	
13	3402928M1	1	Screw, Socket Head - Piston Locating	Vis Tête Hex	Zylinderschraube	Tornillo	
14	3484189M1	1	Piston	Piston	Kolben	Pistón	
15	3007182X1	1	O-Ring	Joint Torique	O-Ring	Junta De Tipo O	
16	359203X1	1	O-Ring	Joint Torique	O-Ring	Junta De Tipo O	
17	367120X1	1	Back-Up Ring	Contre Bague	Stützring	Aro	
18	3487909M1	1	O-Ring	Joint Torique	O-Ring	Junta De Tipo O	
19	3623202M1	1	Bearing	Roulement	Lager	Cojinete	
20	3623193M1	1	Guide Ring	Anneau	Ring	Aro	
21	3443388M1	1	Ring - Back Up	Anneau	Ring	Aro	
22	3443472M1	1	Seal	Joint D'Arbre	Wellendichtring	Junta	
23	3403385M1	1	Wiper Ring	Joint De Racleur	Abstreifdichtung	Junta Raspador	
24	339608X1	1	Grease Nipple - M10 X 1 (Zinc)	Nipple De Graissage	Schmiernippel	Engrasador	
25	3441722M91	1	Piston Rod Assy	Tige De Vérin	Kolbenstange	Vástago Cilindro	
26	#ROD, PISTON	1	Rod, Piston	Rod, Piston	Rod, Piston	Rod, Piston	Ref. 25
27	3484843M1	1	Bush, Hydr. Cylinders	Douille	Buechse	Casquillo	
28	3623589M91	1	Kit, Seal - Hydraulic Cylinder	Jeu Etancheite	Dichtringsatz	Juego De Juntas	





Item	Part No.	Qty.	English	French	German	Spanish	Remarks
1	6111079M91GY03	1	Cylinder Boom 4.9	Cylinder Boom 4.9	Cylinder Boom 4.9	Cylinder Boom 4.9	
2	6195264M91GY03	1	Tube - S/A (Terex Grey)	Tube - S/A (Terex Grey)	Tube - S/A (Terex Grey)	Tube - S/A (Terex Grey)	
3	6195253M1	4	Bush	Douille	Buchse	Casquillo	
4	6194542M1	2	Nipple - Grease	Graisseur Coude	Nippel	Manguito, Engrasador	
5	6195259M1	2	Bearing - Piston	Bearing - Piston	Bearing - Piston	Bearing - Piston	
6	6195258M1	1	O - Ring	O - Ring	O - Ring	O - Ring	
7	6195257M1	1	Seal - Piston	Seal - Piston	Seal - Piston	Seal - Piston	
8	6195251M1	1	Piston	Piston	Piston	Piston	
9	6195236M1	1	Set Screw - Hex Socket	Set Screw - Hex Socket	Set Screw - Hex Socket	Set Screw - Hex Socket	
10	6195235M1	1	Ring - Cushion	Ring - Cushion	Ring - Cushion	Ring - Cushion	
11	6195260M1	1	O - Ring	O - Ring	O - Ring	O - Ring	
12	6195261M1	1	Ring - Back Up	Ring - Back Up	Ring - Back Up	Ring - Back Up	
13	6195256M1	1	Bush - Bimetal	Bush - Bimetal	Bush - Bimetal	Bush - Bimetal	
14	6195252M1	1	Cover - H.E.	Cover - H.E.	Cover - H.E.	Cover - H.E.	
15	6194575M1	1	Seal - Rod (Primary)	Joint Étanchéité	Dichtring	Junta	
16	6195262M1	1	Seal - Rod (Secondary)	Seal - Rod (Secondary)	Seal - Rod (Secondary)	Seal - Rod (Secondary)	
17	6194573M1	1	Wiper	Essuyeur	Wischer	Raspador, Escobilla	
18	6194570M1	1	Ring - Back Up	Contre Bague	Stutzring	ContraJunta	
19	6195247M1	1	O - Ring	O - Ring	O - Ring	O - Ring	
20	6195265M91	1	Piston Rod - S/A	Piston Rod - S/A	Piston Rod - S/A	Piston Rod - S/A	
21	6195263M91	1	Seal Kit	Jeu Etancheite	Dichtringsatz	Juego Retenes	

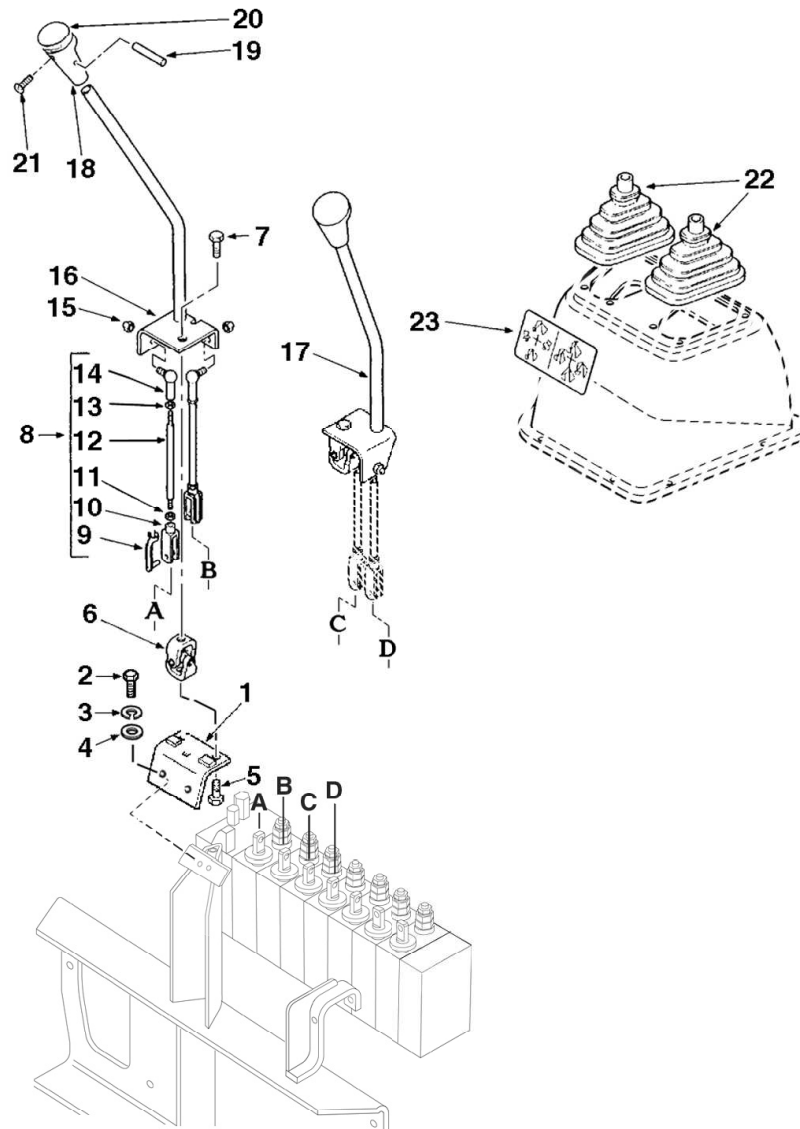
C-76049-07.1-A



Item	Part No.	Qty.	English	French	German	Spanish	Remarks
1	358728X91	1	Tee	Te	T-Stück	Te	
2	#TEE	1	Tee	Tee	Tee	Tee	Ref. 1
3	831497M1	1	O-Ring	Joint Torique	O-Ring	Junta De Tipo O	
4	6100716M91	1	Hose Slew Trsfr	Flexible Ass.	Schlauch Kplt	Flexible, Conj.	
5	6111174M92	1	Tube Assy Slew	Ensemble Tube	Rohr Kpl	Conj. De Tubo	LH Wipro
5	6100589M91	1	Tube Slew Trsf RH	Tuyauterie	Rohrleitung Kplt	Conjunto De Tubería	Pacoma
5	6100587M91	1	Tube Slew Trsf LH	Tuyauterie	Rohrleitung Kplt	Conjunto De Tubería	Pacoma
5	6111175M92	1	Tube Assy Slew	Ensemble Tube	Rohr Kpl	Conj.De Tubo	RH Wipro
6	#TUBE	1	Tube	Tube	Tube	Tube	Ref. 5
7	394923X1	1	O Ring	Joint Torique	O Ring	Junta De Tipo O	
8	357197X91	2	Elbow & O Ring	Coude	Kniestück, 90°	Codo, 90°	
9	#ELBOW	1	Elbow	Elbow	Elbow	Elbow	Ref. 8
10	831452M1	1	O Ring (Pack Of 10)	Joint Torique	O Ring	Junta De Tipo O	
11	6100716M91	1	Hose Slew Trsfr	Flexible Ass.	Schlauch Kplt	Flexible, Conj.	
12	358728X91	1	Tee	Te	T-Stück	Te	
13	#TEE	1	Tee	Tee	Tee	Tee	Ref. 12
14	831497M1	1	O-Ring	Joint Torique	O-Ring	Junta De Tipo O	
15	6100715M92	1	Hose-Digger-Green	Flexible Ass.	Schlauch Kplt	Flexible, Conj.	Purple
16	6101866M93	1	Hose-Digger-Green	Flexible Ass.	Schlauch Kplt	Flexible, Conj.	Green
17	3517114M2	2	P - Clip	Collier De Fixation	Befestigungsschelle	Argolla De Fijación	
18	385361X1	2	Washer M8 Hardened	Rondelle M8	Scheibe M8	Arandela	
19	339228X1	2	Bolt, Hex. - M8 X 12 (Coarse)	Boulon M8 X 12	Maschschraube M8	Tornillo	
20	1862425M1	1	Tie 385mm T50I	Attache Cable	Kabelbinder	Enlace De Cable	



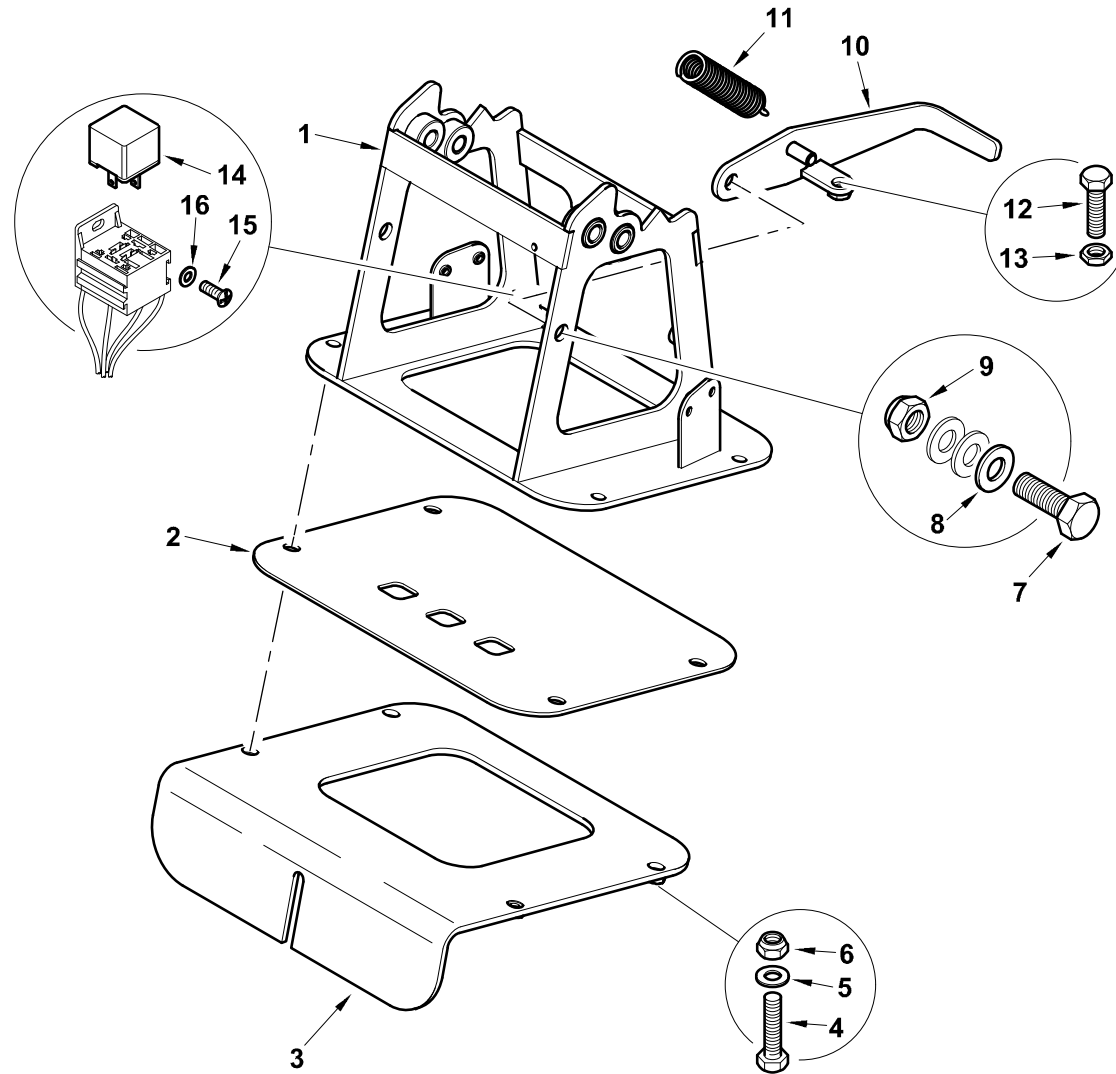
C-77001-01.1-A



Item	Part No.	Qty.	English	French	German	Spanish	Remarks
1	6106682M91	1	Bracket Digger Controls	Patte Fixation	Halter	Apoyadero, Conj.	
2	339124X1	3	Bolt M8-16 Z5f	Goupille	Maschschrb Metr - M8	Tornillo	
3	339374X1	3	Washer M8 -21-2 Z	Rondelle Frein - M8	Federring - M8	Arandela De Freno	
4	390972X1	3	Washer M8-17-1 Zwel	Rondelle M8	Scheibe - M8	Arandela	
5	354742X1	2	Bolt 1/2"Unf X 5/8"	Goupille	Bolzen	Perno	
6	3521075M91	2	Joint Universal	Cardan	Kardangelenk	Cardán	
7	354742X1	2	Bolt 1/2"Unf X 5/8"	Goupille	Bolzen	Perno	
8	6106905M91	4	Rod-Digger Control	Tringlerie	Gestänge	Tirantes, Conj.	
9	3520666M1	1	Pin W/ Spring Clip	Axe De Chape	Gabelstift	Eje De Brida	
10	3519590M1	1	Clevis LH Thread	Chape	Gabelverbindung	Brida	
11	3519650M1	1	Nut, Hex - M8, L/H Thread	Ecrou	Mutter	Tuerca	
12	#ROD	1	Rod	Rod	Rod	Rod	Ref. 8
13	339169X1	1	Nut, Hex. - M8, Coarse	Ecrou Métrique	Mutter Metrisch	Tuerca	
14	3517518M1	1	Ball Joint M8	Rotule	Kugelgelenk	Rotula	
15	394367X1	4	Nut, Hex. - Nyloc, M8	Ecrou Blocage M8	Flachmutter - M8	Tuerca De Retención	
16	6107130M91	1	Lever-Rh Digg.Control	Levier Ass.	Hebel Kplt	Palanca, Conj.	
17	6107131M91	1	Lever-Lh Digg.Control	Levier Ass.	Hebel Kplt	Palanca, Conj.	
18	3522621M5	2	Base Control Knob	Poignée De Levier	Griff	Empuñ. Palanca	
19	3019531X1	2	Pin - Roll	Goupille Elastique	Spannhulse	Pasador Elástico	
20	3522669M3	2	Knob Top Digg Cnt (Y)	Chapeau	Kappe	Sombbrero	
21	3516886M1	4	Screw C/Sk 1/4 Lng	Vis	Schraube	Tornillo	
22	6109905M1	2	Gaiter - Digger (Black)	Souf•et	Kofferraum	Fuelle	
23	6101890M1	1	Decal-Std.Digger Control	Adhésif	Aufkleber	Adhesivo	



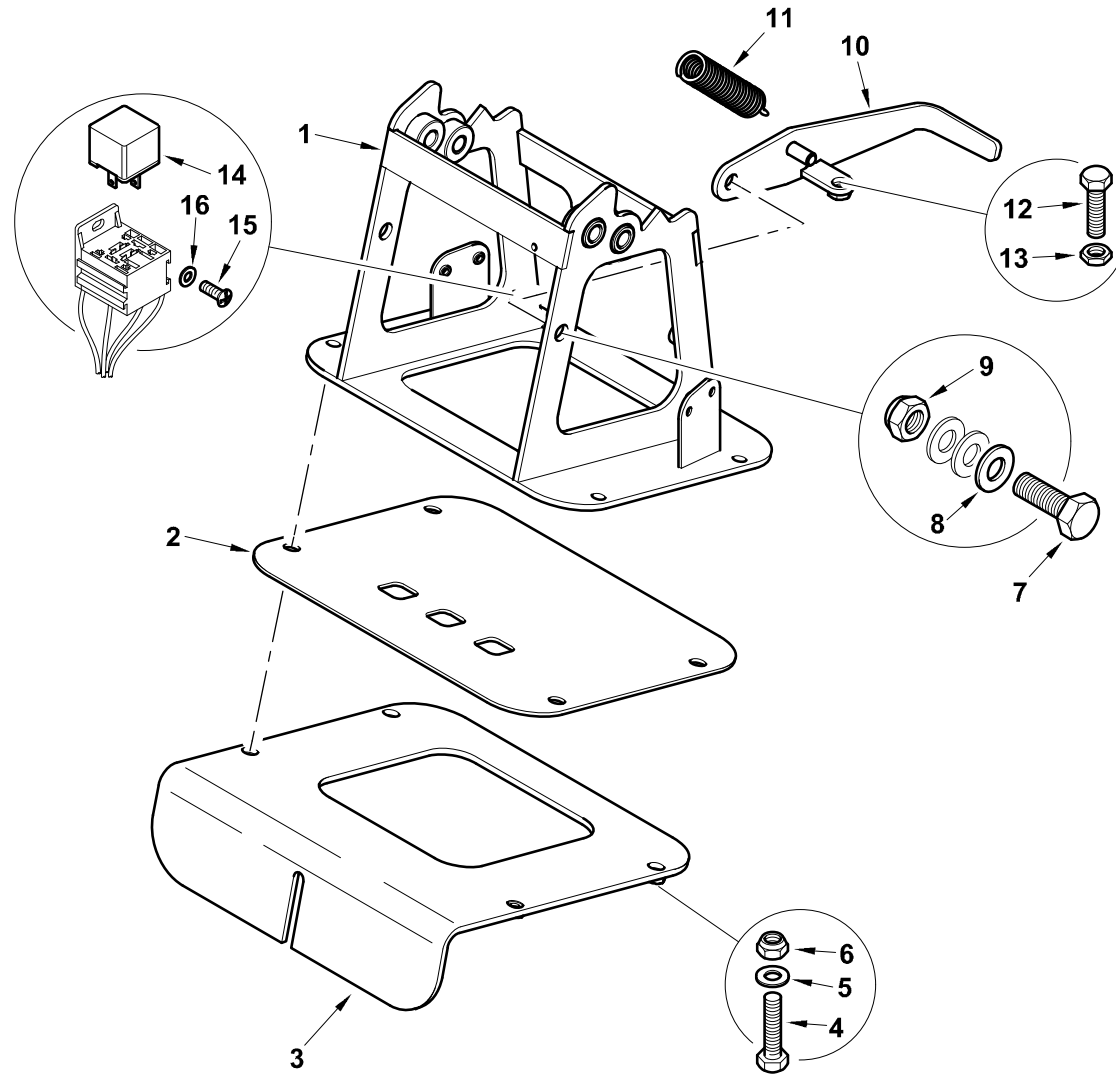
C-77007-01.1-A



Item	Part No.	Qty.	English	French	German	Spanish	Remarks
1	6106682M91	1	Bracket Digger Controls	Patte Fixation	Halter	Apoyadero, Conj.	
2	339124X1	3	Bolt M8-16 Z5f	Goupille	Maschschrb Metr - M8	Tornillo	
3	339374X1	3	Washer M8 -21-2 Z	Rondelle Frein - M8	Federring - M8	Arandela De Freno	
4	390972X1	3	Washer M8-17-1 Zwel	Rondelle M8	Scheibe - M8	Arandela	
5	354742X1	2	Bolt 1/2"Unf X 5/8"	Goupille	Bolzen	Perno	
6	3521075M91	2	Joint Universal	Cardan	Kardangelenk	Cardán	
7	354742X1	2	Bolt 1/2"Unf X 5/8"	Goupille	Bolzen	Perno	
8	6106905M91	2	Rod-Digger Control	Tringlerie	Gestänge	Tirantes, Conj.	
9	3520666M1	1	Pin W/ Spring Clip	Axe De Chape	Gabelstift	Eje De Brida	
10	3519590M1	1	Clevis LH Thread	Chape	Gabelverbindung	Brida	
11	3519650M1	1	Nut, Hex - M8, L/H Thread	Ecrou	Mutter	Tuerca	
12	#ROD	1	Rod	Rod	Rod	Rod	Ref. 8
13	339169X1	1	Nut, Hex. - M8, Coarse	Ecrou Métrique	Mutter Metrisch	Tuerca	
14	3517518M1	1	Ball Joint M8	Rotule	Kugelgelenk	Rotula	
15	394367X1	2	Nut, Hex. - Nyloc, M8	Ecrou Blocage M8	Flachmutter - M8	Tuerca De Retención	
16	6107371M91	2	Rod Assy. - ISO Digger Controls	Tringlerie	Gestänge	Tirantes, Conj.	
17	3520666M1	1	Pin W/ Spring Clip	Axe De Chape	Gabelstift	Eje De Brida	
18	3519590M1	1	Clevis LH Thread	Chape	Gabelverbindung	Brida	
19	3519650M1	1	Nut, Hex - M8, L/H Thread	Ecrou	Mutter	Tuerca	
20	#ROD	1	Rod	Rod	Rod	Rod	Ref. 16
21	339169X1	1	Nut, Hex. - M8, Coarse	Ecrou Métrique	Mutter Metrisch	Tuerca	
22	3517518M1	1	Ball Joint M8	Rotule	Kugelgelenk	Rotula	
23	394367X1	2	Nut, Hex. - Nyloc, M8	Ecrou Blocage M8	Flachmutter - M8	Tuerca De Retención	
24	6107130M91	1	Lever-Rh Digg.Control	Levier Ass.	Hebel Kplt	Palanca, Conj.	
25	6107131M91	1	Lever-Lh Digg.Control	Levier Ass.	Hebel Kplt	Palanca, Conj.	
26	3522621M5	2	Base Control Knob	Poignée De Levier	Griff	Empuñ. Palanca	
27	3019531X1	2	Pin - Roll	Goupille Elastique	Spannhulse	Pasador Elástico	
28	3522669M3	2	Knob Top Digg Cnt (Y)	Chapeau	Kappe	Sombbrero	
29	3516886M1	4	Screw C/Sk 1/4 Lng	Vis	Schraube	Tornillo	
30	6109905M1	2	Gaiter - Digger (Black)	Souf•et	Kofferraum	Fuelle	

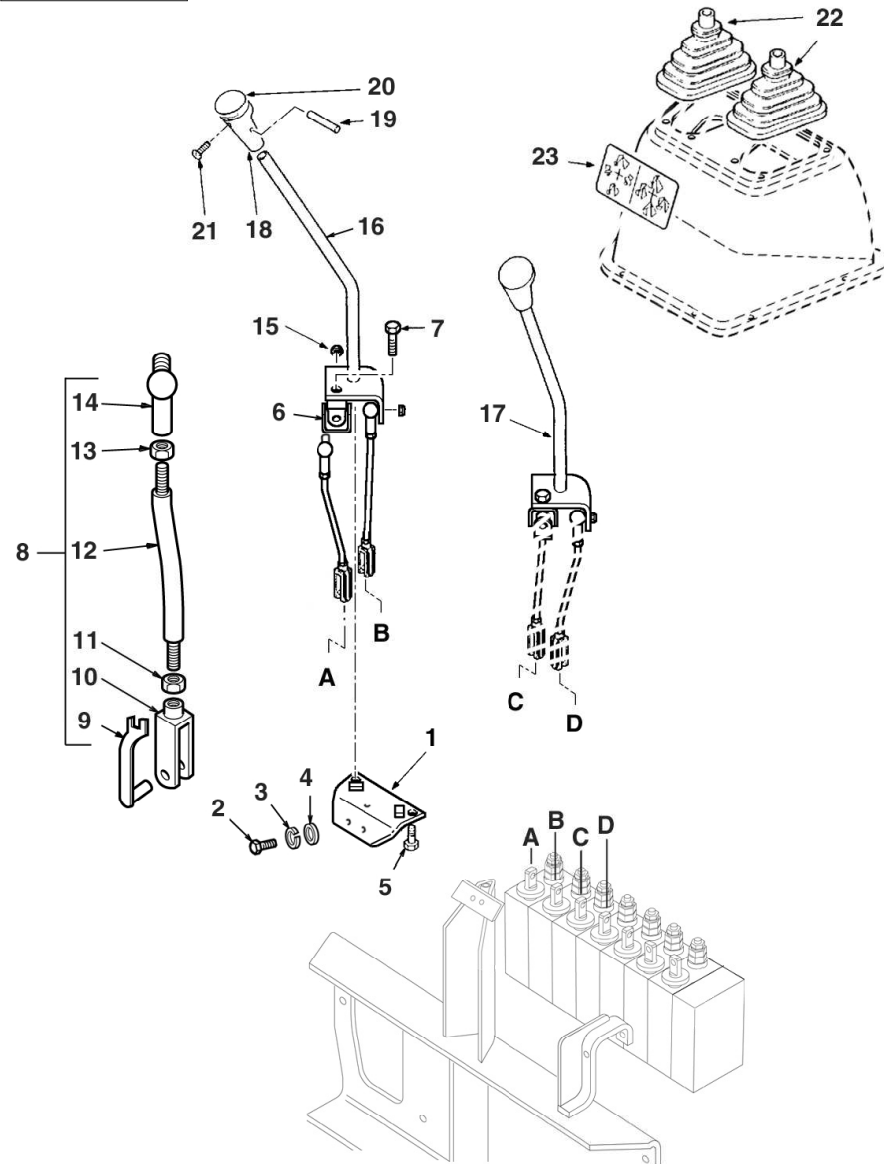


C-77007-01.1-A



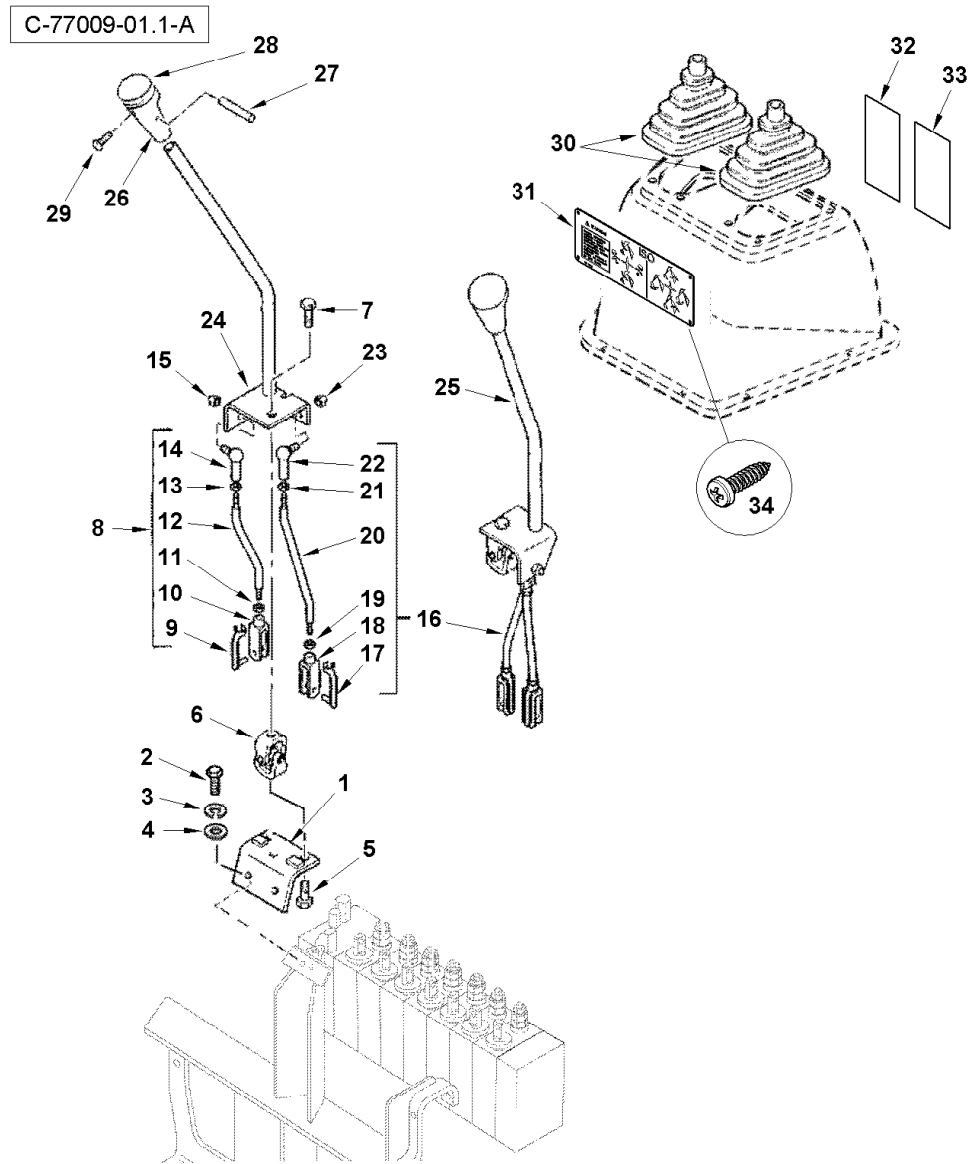
Item	Part No.	Qty.	English	French	German	Spanish	Remarks
31	6101895M1	1	Decal, ISO Digger Controls	Adhésif	Aufkleber	Adhesivo	

C-77003-01.1-A



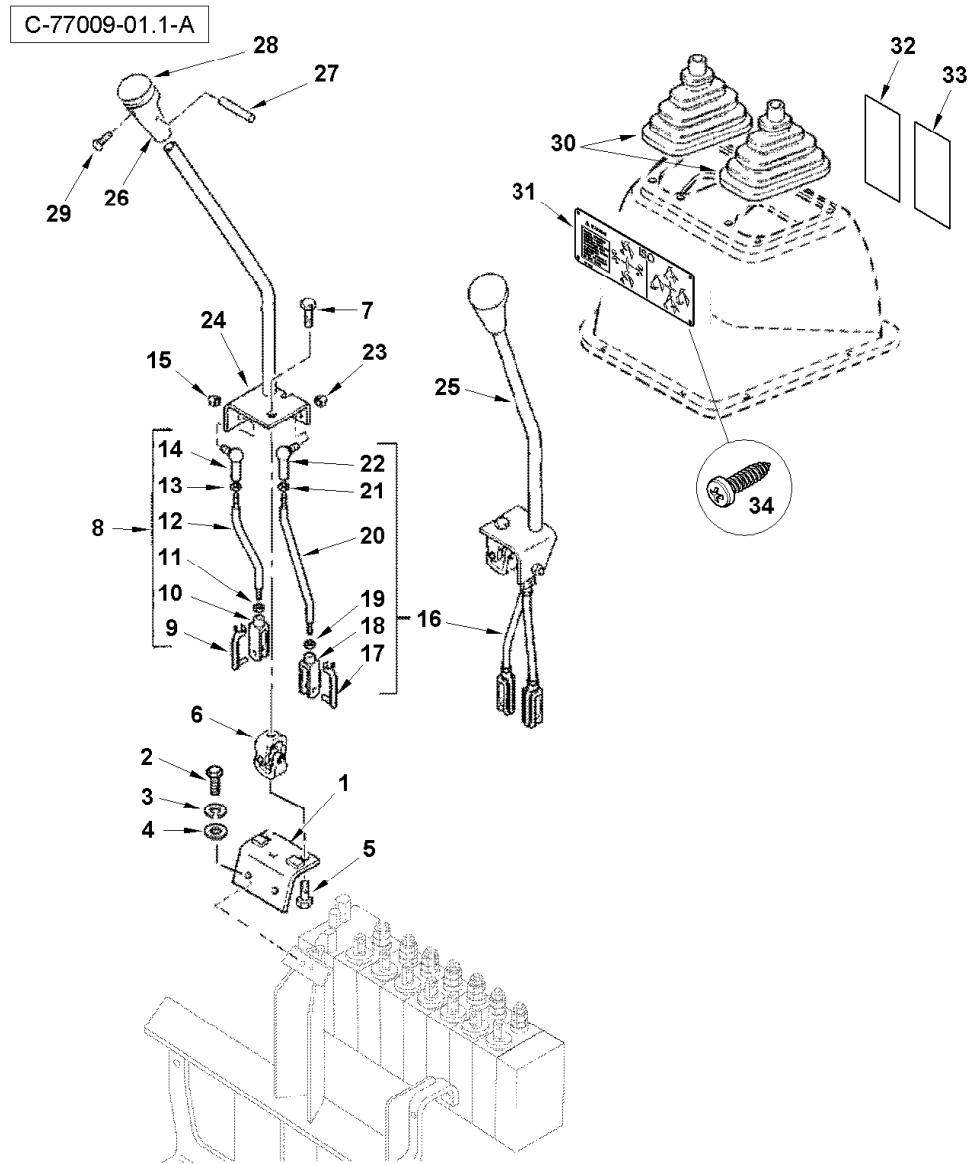
Item	Part No.	Qty.	English	French	German	Spanish	Remarks
1	6106958M91	1	Bracket - X (Jcb) Pattern Digger Control	Patte Fixation	Haltearm	Pata De Fijación	
2	339124X1	3	Bolt M8-16 Z5f	Goupille	Maschschrb Metr - M8	Tornillo	
3	339374X1	3	Washer M8 -21-2 Z	Rondelle Frein - M8	Federring - M8	Arandela De Freno	
4	390972X1	3	Washer M8-17-1 Zwel	Rondelle M8	Scheibe - M8	Arandela	
5	354742X1	2	Bolt 1/2"Unf X 5/8"	Goupille	Bolzen	Perno	
6	3521075M91	2	Joint Universal	Cardan	Kardangelenk	Cardán	
7	354742X1	2	Bolt 1/2"Unf X 5/8"	Goupille	Bolzen	Perno	
8	6106905M91	4	Rod-Digger Control	Tringlerie	Gestänge	Tirantes, Conj.	
9	3520666M1	1	Pin W/ Spring Clip	Axe De Chape	Gabelstift	Eje De Brida	
10	3519590M1	1	Clevis LH Thread	Chape	Gabelverbindung	Brida	
11	3519650M1	1	Nut, Hex - M8, L/H Thread	Ecrou	Mutter	Tuerca	
12	#ROD	1	Rod	Rod	Rod	Rod	Ref. 8
13	339169X1	1	Nut, Hex. - M8, Coarse	Ecrou Métrique	Mutter Metrisch	Tuerca	
14	3517518M1	1	Ball Joint M8	Rotule	Kugelgelenk	Rotula	
15	394367X1	4	Nut, Hex. - Nyloc, M8	Ecrou Blocage M8	Flachmutter - M8	Tuerca De Retención	
16	6107172M91	1	Lever Assy. RH 0 X (Jcb) Digger Controls	Ensemble Levier	Hebel Kplt	Palanca, Conj.	
17	6107173M91	1	Lever Assy. LH - X (Jcb) Digger Controls	Ensemble Levier	Hebel	Palanca, Conj.	
18	3522621M5	2	Base Control Knob	Poignée De Levier	Griff	Empuñ. Palanca	
19	3019531X1	2	Pin - Roll	Goupille Elastique	Spannhulse	Pasador Elástico	
20	3522669M3	2	Knob Top Digg Cnt (Y)	Chapeau	Kappe	Sombbrero	
21	3516886M1	4	Screw C/Sk 1/4 Lng	Vis	Schraube	Tornillo	
22	6109905M1	2	Gaiter - Digger (Black)	Souf•et	Kofferraum	Fuelle	
23	6101894M1	1	Decal - X (Jcb) Digger Controls	Adhésif	Aufkleber	Adhesivo	





Item	Part No.	Qty.	English	French	German	Spanish	Remarks
1	6106682M91	1	Bracket Digger Controls	Patte Fixation	Halter	Apoyadero, Conj.	
2	339124X1	3	Bolt M8-16 Z5f	Goupille	Maschschrb Metr - M8	Tornillo	
3	339374X1	3	Washer M8 -21-2 Z	Rondelle Frein - M8	Federring - M8	Arandela De Freno	
4	390972X1	3	Washer M8-17-1 Zwel	Rondelle M8	Scheibe - M8	Arandela	
5	354742X1	2	Bolt 1/2"Unf X 5/8"	Goupille	Bolzen	Perno	
6	3521075M91	2	Joint Universal	Cardan	Kardangelenk	Cardán	
7	354742X1	2	Bolt 1/2"Unf X 5/8"	Goupille	Bolzen	Perno	
8	6106905M91	2	Rod-Digger Control	Tringlerie	Gestänge	Tirantes, Conj.	
9	3520666M1	1	Pin W/ Spring Clip	Axe De Chape	Gabelstift	Eje De Brida	
10	3519590M1	1	Clevis LH Thread	Chape	Gabelverbindung	Brida	
11	3519650M1	1	Nut, Hex - M8, L/H Thread	Ecrou	Mutter	Tuerca	
12	#ROD	1	Rod	Rod	Rod	Rod	Ref. 8
13	339169X1	1	Nut, Hex. - M8, Coarse	Ecrou Métrique	Mutter Metrisch	Tuerca	
14	3517518M1	1	Ball Joint M8	Rotule	Kugelgelenk	Rotula	
15	394367X1	2	Nut, Hex. - Nyloc, M8	Ecrou Blocage M8	Flachmutter - M8	Tuerca De Retención	
16	6107371M91	2	Rod Assy. - ISO Digger Controls	Tringlerie	Gestänge	Tirantes, Conj.	
17	3520666M1	1	Pin W/ Spring Clip	Axe De Chape	Gabelstift	Eje De Brida	
18	3519590M1	1	Clevis LH Thread	Chape	Gabelverbindung	Brida	
19	3519650M1	1	Nut, Hex - M8, L/H Thread	Ecrou	Mutter	Tuerca	
20	#ROD	1	Rod	Rod	Rod	Rod	Ref. 16
21	339169X1	1	Nut, Hex. - M8, Coarse	Ecrou Métrique	Mutter Metrisch	Tuerca	
22	3517518M1	1	Ball Joint M8	Rotule	Kugelgelenk	Rotula	
23	394367X1	2	Nut, Hex. - Nyloc, M8	Ecrou Blocage M8	Flachmutter - M8	Tuerca De Retención	
24	6107130M91	1	Lever-Rh Digg.Control	Levier Ass.	Hebel Kplt	Palanca, Conj.	
25	6107131M91	1	Lever-Lh Digg.Control	Levier Ass.	Hebel Kplt	Palanca, Conj.	
26	3522621M5	2	Base Control Knob	Poignée De Levier	Griff	Empuñ. Palanca	
27	3019531X1	2	Pin - Roll	Goupille Elastique	Spannhulse	Pasador Elástico	
28	3522669M3	2	Knob Top Digg Cnt (Y)	Chapeau	Kappe	Sombbrero	
29	3516886M1	4	Screw C/Sk 1/4 Lng	Vis	Schraube	Tornillo	
30	6109905M1	2	Gaiter - Digger (Black)	Souf•et	Kofferraum	Fuelle	

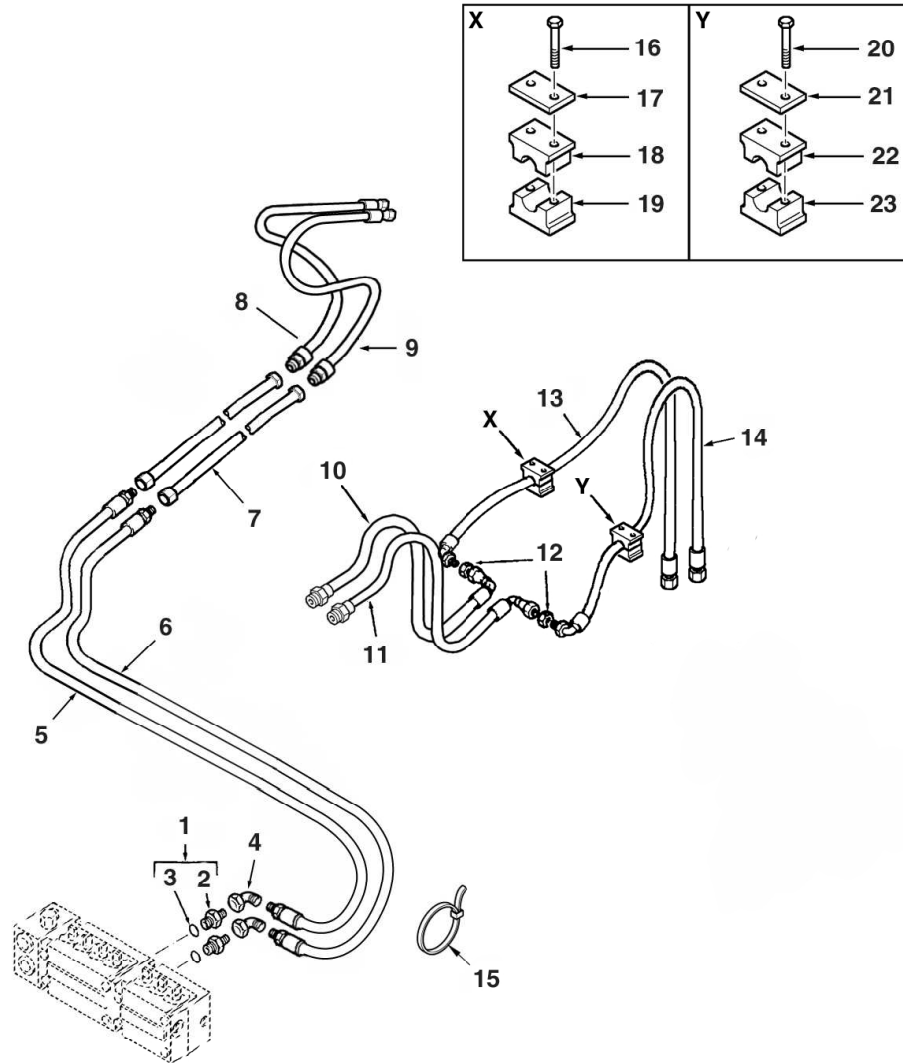




Item	Part No.	Qty.	English	French	German	Spanish	Remarks
31	6111103M1	1	Decal - Reversible Digger Controls	Decalcomanie	Aufkleber	Adhesivo	
32	6111107M1	1	Decal - Rod Con•guration	Decalcomanie	Aufkleber	Adhesivo	
33	6111108M1	1	Decal - Rod Con•guration	Decalcomanie	Aufkleber	Adhesivo	
34	3007920X1	4	Screw Pan Hd.M6 X 12	Vis	Schraube	Tornillo	



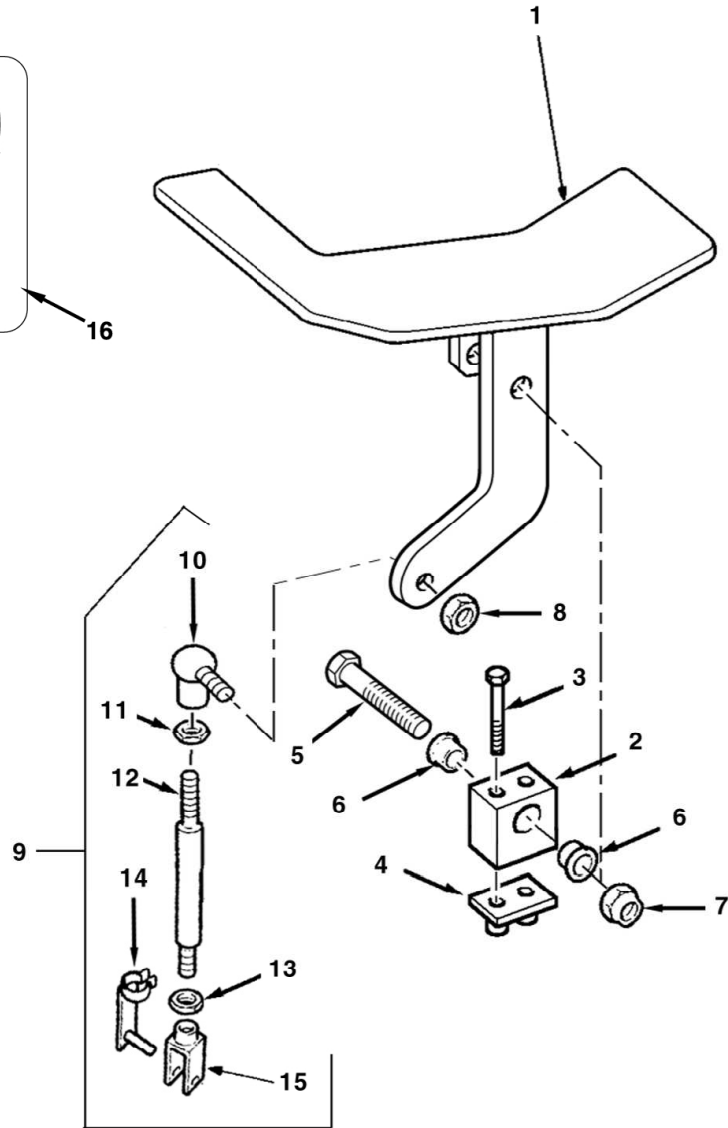
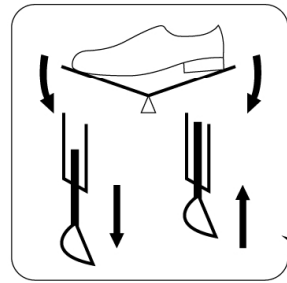
C-78010-01.1-A



Item	Part No.	Qty.	English	French	German	Spanish	Remarks
1	365715X91	2	Connector, Hydr.-Straight, 1 1/16 X 7/8	Borne	Doppelnippel	Conexión, Conj.	
2	#CONNECTOR	1	Connector	Connector	Connector	Connector	Ref. 1
3	835025M1	1	Ring O	Joint Torique	O Ring	Junta De Tipo O	
4	373784X1	2	Elbow 45deg	Coude, 45	Kniestück, 45	Codo	
5	6108764M91	1	Hose Assy Dark Green	Flexible Ass.	Schlauch Kplt	Flexible, Conj.	
6	6108765M91	1	Hose Assy - "Black"	Flexible Ass.	Schlauch Kplt	Flexible, Conj.	
7	6101773M91	2	Tube-Ex'hoe 4.5 Boom	Tuyo	Leitung, Kplt.	Conjunto De Tubería	
8	6101741M91	1	Hose-Extendahoe Head	Flexible	Schlauch	Flexible, Conj.	Dark Green
9	6101757M91	1	Hose-Extendahoe Rod	Flexible	Schlauch	Flexible, Conj.	Black
10	6101739M91	1	Hose-Bucket Rod	Flexible	Schlauch	Flexible, Conj.	Brown
11	6101740M91	1	Hose-Bucket Head	Flexible	Schlauch	Flexible, Conj.	White
12	355574X1	2	Nut, Hex. - 7/8" Unf, Lock	Ecrou 7/8" Unf	Mutter 7/8" Unf	Tuerca	
13	6101007M91	1	Hose-Cylinder-Bucket	Flexible Ass.	Schlauch Kplt	Flexible, Conj.	Brown
14	6101008M91	1	Hose-Cylinder-Bucket	Flexible	Schlauch	Flexible, Conj.	White
15	1664405M1	2	Tie Mm T50s	Attache Cable	Kabelbinder	Enlace De Cable	
16	339229X1	2	Bolt M6-40 Z5s Lk	Boulon M6 X 40	Schraube M6 X 40	Tornillo	
17	1462583M1	1	Plate-Clamp	Plaque	Platte	Placa	
18	6102170M1	1	Clamp-Tube	Collier De Serrage	Klemme	Brida De Fijación	
19	6102170M1	1	Clamp-Tube	Collier De Serrage	Klemme	Brida De Fijación	
20	339229X1	2	Bolt M6-40 Z5s Lk	Boulon M6 X 40	Schraube M6 X 40	Tornillo	
21	1462583M1	1	Plate-Clamp	Plaque	Platte	Placa	
22	6102788M1	1	Fixing Bracket	Patte Fixation	Halter	Brida De Fijación	
23	6102788M1	1	Fixing Bracket	Patte Fixation	Halter	Brida De Fijación	



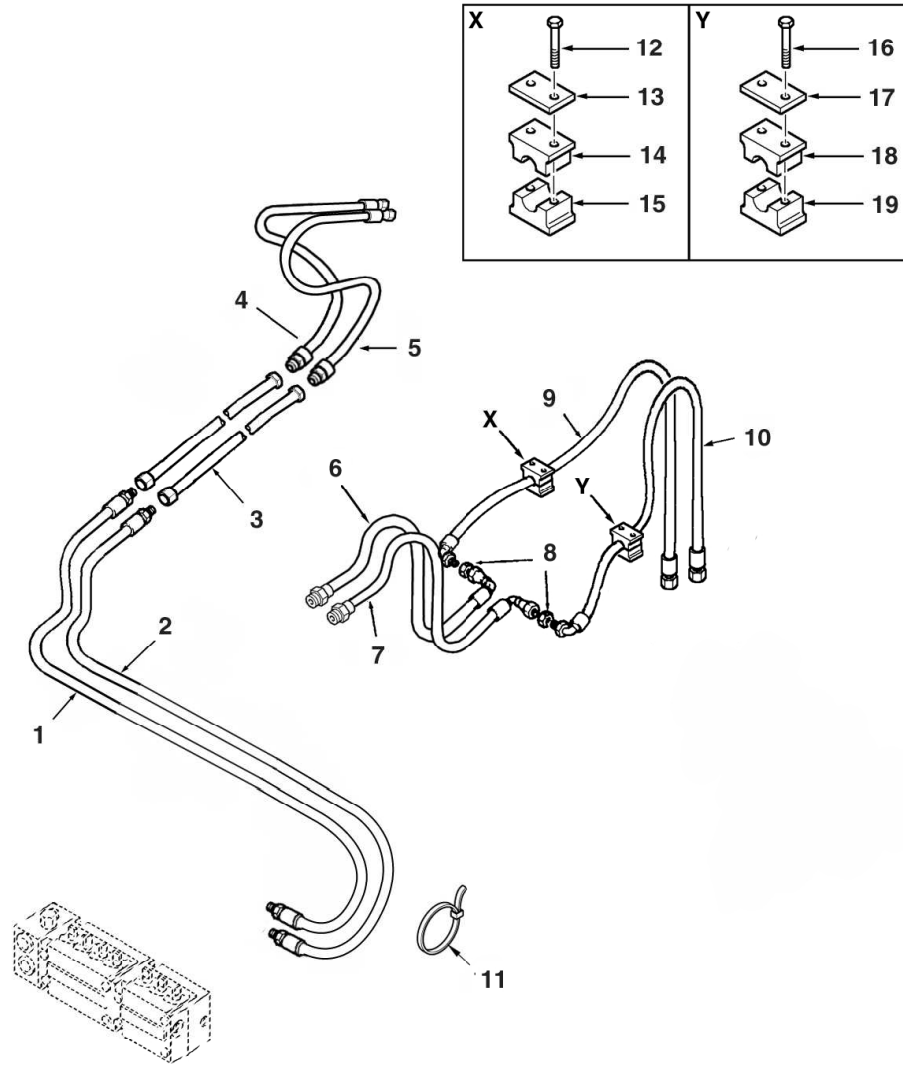
C-78010-02.1-B



Item	Part No.	Qty.	English	French	German	Spanish	Remarks
1	6106874M91	1	Pedal-Ext.Hoe	Ensemble De Pédale	Pedal	Pedal, Conj.	
2	6106734M1	1	Block-Nylon Pivot	Bloc Pivot	Drehzapfen	Pivote	
3	3001758X1	2	Screw M6-50 Sz8 Hex	Goupille	Bolzen M6 X 50	Tornillo	
4	3519538M1	1	Plate Base	Plaque De Base	Grundplatte	Placa De Base	
5	339679X1	1	Bolt M10x60	Vis	Schraube	Perno	
6	6106866M1	2	Bush-Ext. Hoe	Douille	Büchse	Anillo	
7	1440329X1	1	Nut, Hex. - Nyloc, M10	Ecrou Blocage	Flachmutter M10	Tuerca De Retención	
8	394367X1	1	Nut, Hex. - Nyloc, M8	Ecrou Blocage M8	Flachmutter - M8	Tuerca De Retención	
9	6106724M92	1	Rod-Exthoe	Tringlerie	Gestänge	Tirantes, Conj.	
10	3517518M1	1	Ball Joint M8	Rotule	Kugelgelenk	Rotula	
11	339169X1	1	Nut, Hex. - M8, Coarse	Ecrou Métrique	Mutter Metrisch	Tuerca	
12	#ROD	1	Rod	Rod	Rod	Rod	Ref. 9
13	3519650M1	1	Nut, Hex - M8, L/H Thread	Ecrou	Mutter	Tuerca	
14	3520666M1	1	Pin W/ Spring Clip	Axe De Chape	Gabelstift	Eje De Brida	
15	3519590M1	1	Clevis LH Thread	Chape	Gabelverbindung	Brida	
16	6101865M2	1	Decal - Extendahoe	Adhésif	Aufkleber	Adhesivo	



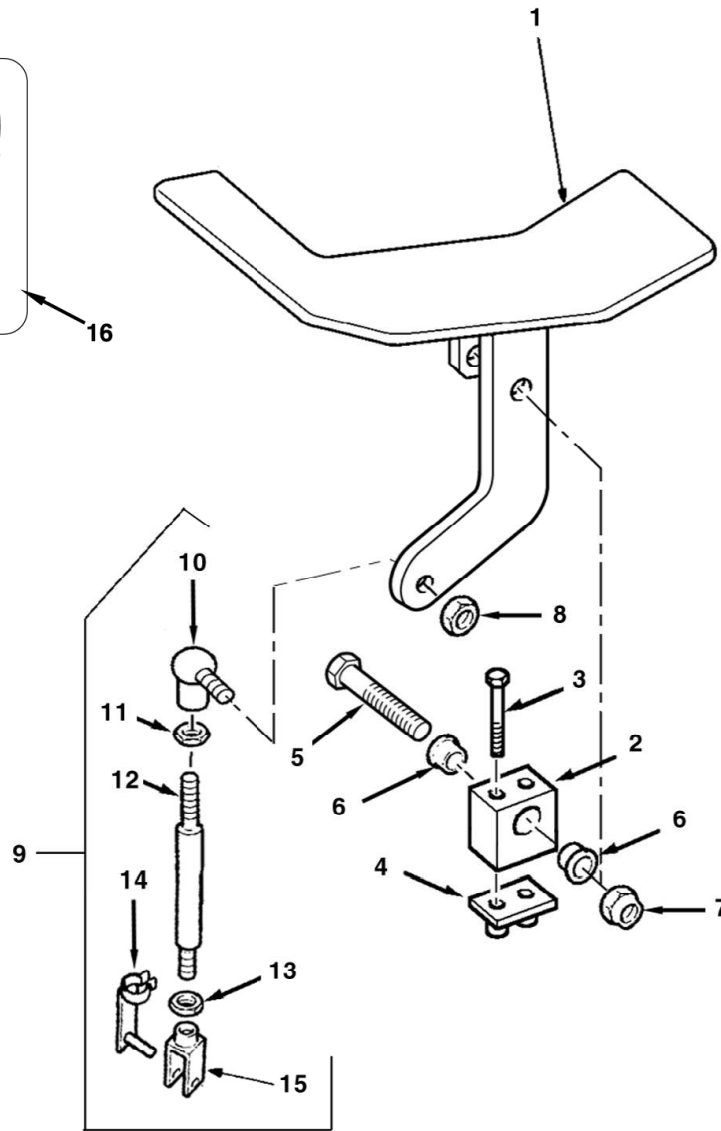
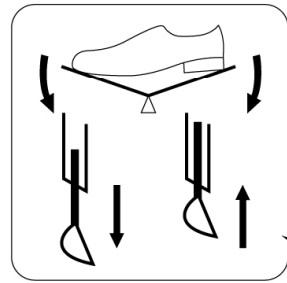
C-78011-01.1-A



Item	Part No.	Qty.	English	French	German	Spanish	Remarks
1	6108764M91	1	Hose Assy Dark Green	Flexible Ass.	Schlauch Kplt	Flexible, Conj.	
2	6108765M91	1	Hose Assy - "Black"	Flexible Ass.	Schlauch Kplt	Flexible, Conj.	
3	6101773M91	2	Tube-Ex'hoe 4.5 Boom	Tuyo	Leitung, Kpl.	Conjunto De Tubería	
4	6101741M91	1	Hose-Extendahoe Head	Flexible	Schlauch	Flexible, Conj.	Dark Green
5	6101757M91	1	Hose-Extendahoe Rod	Flexible	Schlauch	Flexible, Conj.	Black
6	6101739M91	1	Hose-Bucket Rod	Flexible	Schlauch	Flexible, Conj.	Brown
7	6101740M91	1	Hose-Bucket Head	Flexible	Schlauch	Flexible, Conj.	White
8	355574X1	2	Nut, Hex. - 7/8" Unf, Lock	Ecrou 7/8" Unf	Mutter 7/8" Unf	Tuerca	
9	6101007M91	1	Hose-Cylinder-Bucket	Flexible Ass.	Schlauch Kplt	Flexible, Conj.	Brown
10	6101008M91	1	Hose-Cylinder-Bucket	Flexible	Schlauch	Flexible, Conj.	White
11	1664405M1	0	Tie Mm T50s	Attache Cable	Kabelbinder	Enlace De Cable	
12	339229X1	2	Bolt M6-40 Z5s Lk	Boulon M6 X 40	Schraube M6 X 40	Tornillo	
13	1462583M1	1	Plate-Clamp	Plaque	Platte	Placa	
14	6102170M1	1	Clamp-Tube	Collier De Serrage	Klemme	Brida De Fijación	
15	6102170M1	1	Clamp-Tube	Collier De Serrage	Klemme	Brida De Fijación	
16	339229X1	2	Bolt M6-40 Z5s Lk	Boulon M6 X 40	Schraube M6 X 40	Tornillo	
17	1462583M1	1	Plate-Clamp	Plaque	Platte	Placa	
18	6102788M1	1	Fixing Bracket	Patte Fixation	Halter	Brida De Fijación	
19	6102788M1	1	Fixing Bracket	Patte Fixation	Halter	Brida De Fijación	



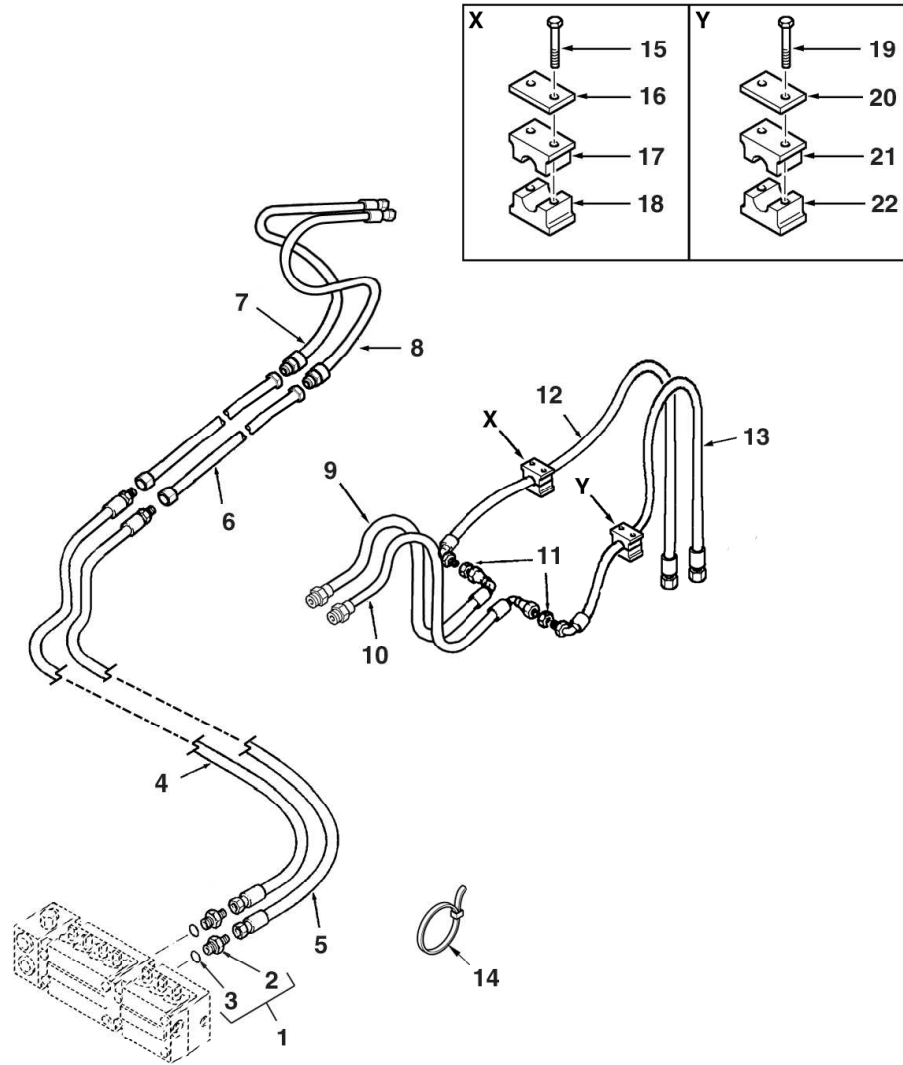
C-78011-02.1-B



Item	Part No.	Qty.	English	French	German	Spanish	Remarks
1	6106874M91	1	Pedal-Ext.Hoe	Ensemble De Pédale	Pedal	Pedal, Conj.	
2	6106734M1	1	Block-Nylon Pivot	Bloc Pivot	Drehzapfen	Pivote	
3	3001758X1	2	Screw M6-50 Sz8 Hex	Goupille	Bolzen M6 X 50	Tornillo	
4	3519538M1	1	Plate Base	Plaque De Base	Grundplatte	Placa De Base	
5	339679X1	1	Bolt M10x60	Vis	Schraube	Perno	
6	6106866M1	2	Bush-Ext. Hoe	Douille	Büchse	Anillo	
7	1440329X1	1	Nut, Hex. - Nyloc, M10	Ecrou Blocage	Flachmutter M10	Tuerca De Retención	
8	394367X1	1	Nut, Hex. - Nyloc, M8	Ecrou Blocage M8	Flachmutter - M8	Tuerca De Retención	
9	6106724M92	1	Rod-Exthoe	Tringlerie	Gestänge	Tirantes, Conj.	
10	3517518M1	1	Ball Joint M8	Rotule	Kugelgelenk	Rotula	
11	339169X1	1	Nut, Hex. - M8, Coarse	Ecrou Métrique	Mutter Metrisch	Tuerca	
12	#ROD	1	Rod	Rod	Rod	Rod	Ref.9
13	3519650M1	1	Nut, Hex - M8, L/H Thread	Ecrou	Mutter	Tuerca	
14	3520666M1	1	Pin W/ Spring Clip	Axe De Chape	Gabelstift	Eje De Brida	
15	3519590M1	1	Clevis LH Thread	Chape	Gabelverbindung	Brida	
16	6101865M2	1	Decal - Extendahoe	Adhésif	Aufkleber	Adhesivo	

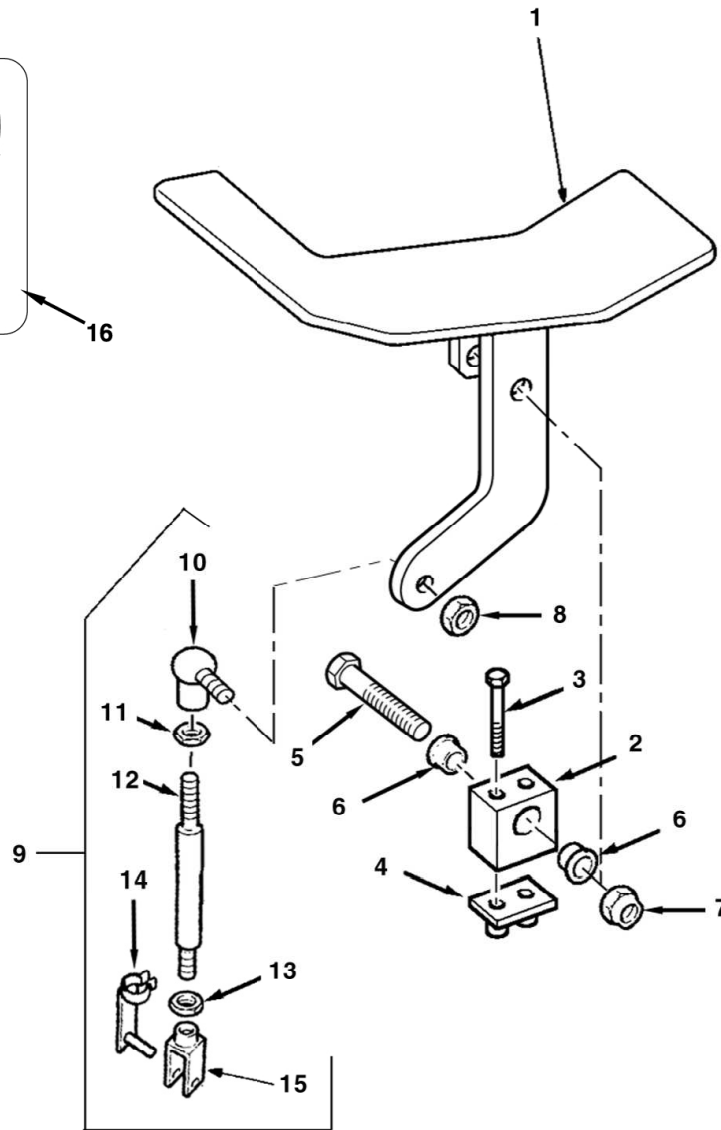
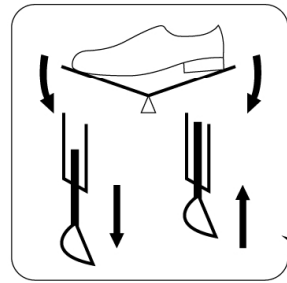


C-78012-01.1-A



Item	Part No.	Qty.	English	French	German	Spanish	Remarks
1	365715X91	2	Connector, Hydr.-Straight, 1 1/16 X 7/8	Borne	Doppelnippel	Conexión, Conj.	
2	#CONNECTOR	1	Connector	Connector	Connector	Connector	Ref. 1
3	835025M1	1	Ring O	Joint Torique	O Ring	Junta De Tipo O	
4	6107464M93	1	Hose Cm Extendahoe	Flexible Ass.	Schlauch Kplt	Flexible, Conj.	Dark Green
5	6107465M92	1	Hose-Cm Extendahoe	Flexible	Schlauch	Flexible, Conj.	Black
6	6101773M91	2	Tube-Ex'hoe 4.5 Boom	Tuyo	Leitung, Kpl.	Conjunto De Tubería	
7	6101741M91	1	Hose-Extendahoe Head	Flexible	Schlauch	Flexible, Conj.	Dark Green
8	6101757M91	1	Hose-Extendahoe Rod	Flexible	Schlauch	Flexible, Conj.	Black
9	6101739M91	1	Hose-Bucket Rod	Flexible	Schlauch	Flexible, Conj.	Brown
10	6101740M91	1	Hose-Bucket Head	Flexible	Schlauch	Flexible, Conj.	White
11	355574X1	2	Nut, Hex. - 7/8" Unf, Lock	Ecrou 7/8" Unf	Mutter 7/8" Unf	Tuerca	
12	6101007M91	1	Hose-Cylinder-Bucket	Flexible Ass.	Schlauch Kplt	Flexible, Conj.	Brown
13	6101008M91	1	Hose-Cylinder-Bucket	Flexible	Schlauch	Flexible, Conj.	White
14	1664405M1	2	Tie Mm T50s	Attache Cable	Kabelbinder	Enlace De Cable	
15	339229X1	2	Bolt M6-40 Z5s Lk	Boulon M6 X 40	Schraube M6 X 40	Tornillo	
16	1462583M1	1	Plate-Clamp	Plaque	Platte	Placa	
17	6102170M1	1	Clamp-Tube	Collier De Serrage	Klemme	Brida De Fijación	
18	6102170M1	1	Clamp-Tube	Collier De Serrage	Klemme	Brida De Fijación	
19	339229X1	2	Bolt M6-40 Z5s Lk	Boulon M6 X 40	Schraube M6 X 40	Tornillo	
20	1462583M1	1	Plate-Clamp	Plaque	Platte	Placa	
21	6102788M1	1	Fixing Bracket	Patte Fixation	Halter	Brida De Fijación	
22	6102788M1	1	Fixing Bracket	Patte Fixation	Halter	Brida De Fijación	

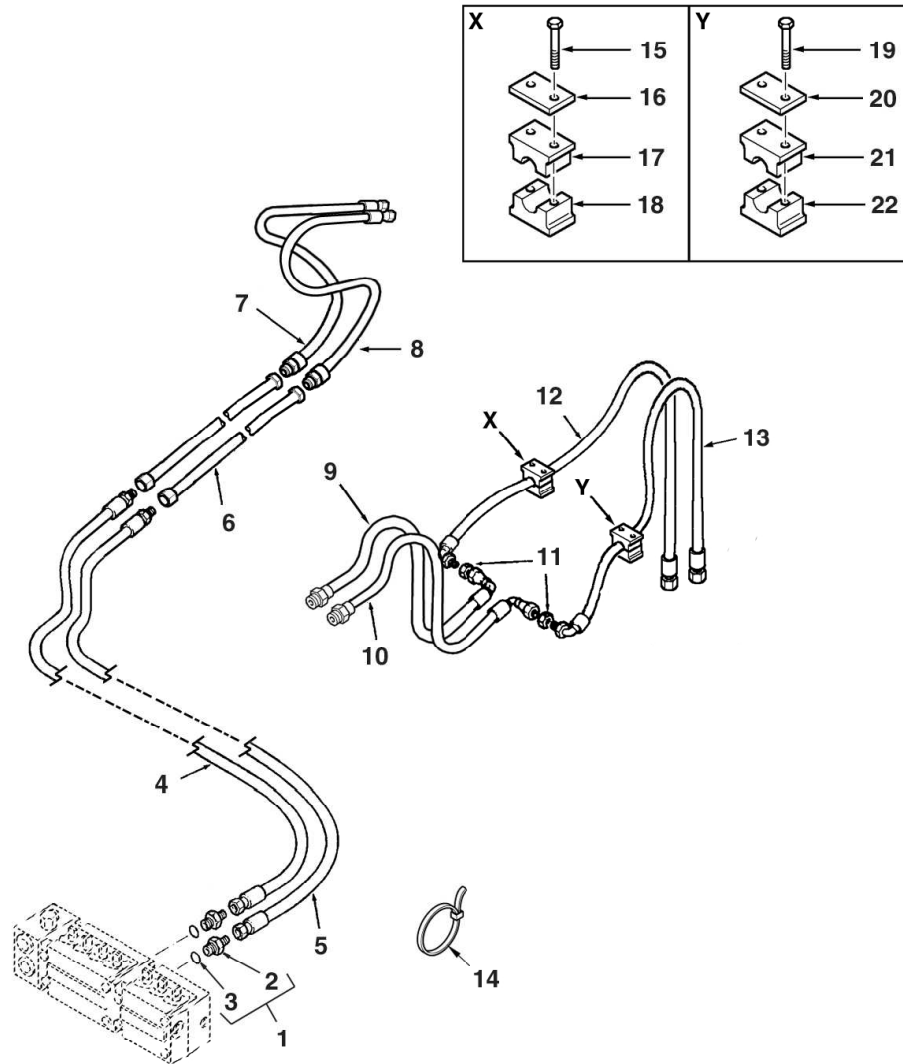
C-78012-02.1-B



Item	Part No.	Qty.	English	French	German	Spanish	Remarks
1	6106874M91	1	Pedal-Ext.Hoe	Ensemble De Pédale	Pedal	Pedal, Conj.	
2	6106734M1	1	Block-Nylon Pivot	Bloc Pivot	Drehzapfen	Pivote	
3	3001758X1	2	Screw M6-50 Sz8 Hex	Goupille	Bolzen M6 X 50	Tornillo	
4	3519538M1	1	Plate Base	Plaque De Base	Grundplatte	Placa De Base	
5	339679X1	1	Bolt M10x60	Vis	Schraube	Perno	
6	6106866M1	2	Bush-Ext. Hoe	Douille	Büchse	Anillo	
7	1440329X1	1	Nut, Hex. - Nyloc, M10	Ecrou Blocage	Flachmutter M10	Tuerca De Retención	
8	394367X1	1	Nut, Hex. - Nyloc, M8	Ecrou Blocage M8	Flachmutter - M8	Tuerca De Retención	
9	6106724M92	1	Rod-Exthoe	Tringlerie	Gestänge	Tirantes, Conj.	
10	3517518M1	1	Ball Joint M8	Rotule	Kugelgelenk	Rotula	
11	339169X1	1	Nut, Hex. - M8, Coarse	Ecrou Métrique	Mutter Metrisch	Tuerca	
12	#ROD	1	Rod	Rod	Rod	Rod	Ref. 9
13	3519650M1	1	Nut, Hex - M8, L/H Thread	Ecrou	Mutter	Tuerca	
14	3520666M1	1	Pin W/ Spring Clip	Axe De Chape	Gabelstift	Eje De Brida	
15	3519590M1	1	Clevis LH Thread	Chape	Gabelverbindung	Brida	
16	6101865M2	1	Decal - Extendahoe	Adhésif	Aufkleber	Adhesivo	



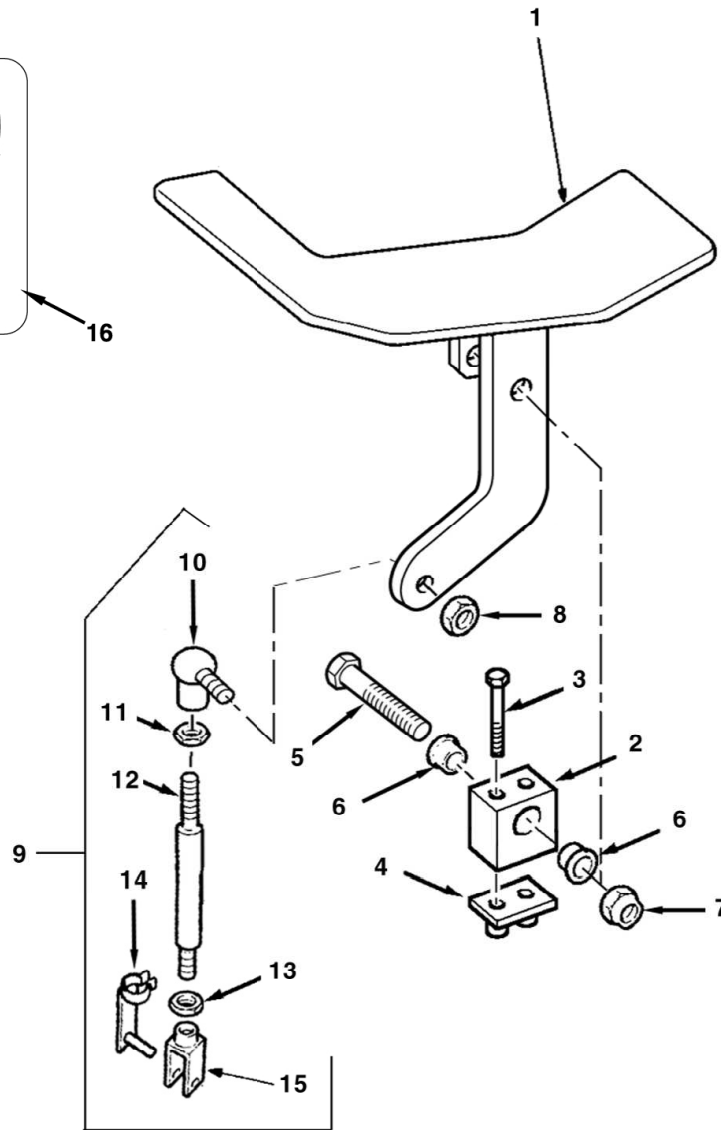
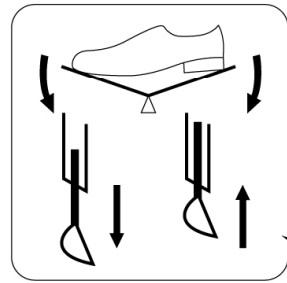
C-78013-01.1-A



Item	Part No.	Qty.	English	French	German	Spanish	Remarks
1	365715X91	2	Connector, Hydr.-Straight, 1 1/16 X 7/8	Borne	Doppelnippel	Conexión, Conj.	
2	#CONNECTOR	1	Connector	Connector	Connector	Connector	Ref. 1
3	835025M1	1	Ring O	Joint Torique	O Ring	Junta De Tipo O	
4	6107464M93	1	Hose Cm Extendahoe	Flexible Ass.	Schlauch Kplt	Flexible, Conj.	Dark Green
5	6107465M92	1	Hose-Cm Extendahoe	Flexible	Schlauch	Flexible, Conj.	Black
6	6101734M91	2	Tube-Ex Hoe 4.9 Cm Boom	Tuyo	Leitung, Kpl.	Conjunto De Tubería	
7	6101741M91	1	Hose-Extendahoe Head	Flexible	Schlauch	Flexible, Conj.	Dark Green
8	6101757M91	1	Hose-Extendahoe Rod	Flexible	Schlauch	Flexible, Conj.	Black
9	6101739M91	1	Hose-Bucket Rod	Flexible	Schlauch	Flexible, Conj.	Brown
10	6101740M91	1	Hose-Bucket Head	Flexible	Schlauch	Flexible, Conj.	White
11	355574X1	2	Nut, Hex. - 7/8" Unf, Lock	Ecrou 7/8" Unf	Mutter 7/8" Unf	Tuerca	
12	6101007M91	1	Hose-Cylinder-Bucket	Flexible Ass.	Schlauch Kplt	Flexible, Conj.	Brown
13	6101008M91	1	Hose-Cylinder-Bucket	Flexible	Schlauch	Flexible, Conj.	White
14	1664405M1	2	Tie Mm T50s	Attache Cable	Kabelbinder	Enlace De Cable	
15	339229X1	2	Bolt M6-40 Z5s Lk	Boulon M6 X 40	Schraube M6 X 40	Tornillo	
16	1462583M1	1	Plate-Clamp	Plaque	Platte	Placa	
17	6102170M1	1	Clamp-Tube	Collier De Serrage	Klemme	Brida De Fijación	
18	6102170M1	1	Clamp-Tube	Collier De Serrage	Klemme	Brida De Fijación	
19	339229X1	2	Bolt M6-40 Z5s Lk	Boulon M6 X 40	Schraube M6 X 40	Tornillo	
20	1462583M1	1	Plate-Clamp	Plaque	Platte	Placa	
21	6102788M1	1	Fixing Bracket	Patte Fixation	Halter	Brida De Fijación	
22	6102788M1	1	Fixing Bracket	Patte Fixation	Halter	Brida De Fijación	

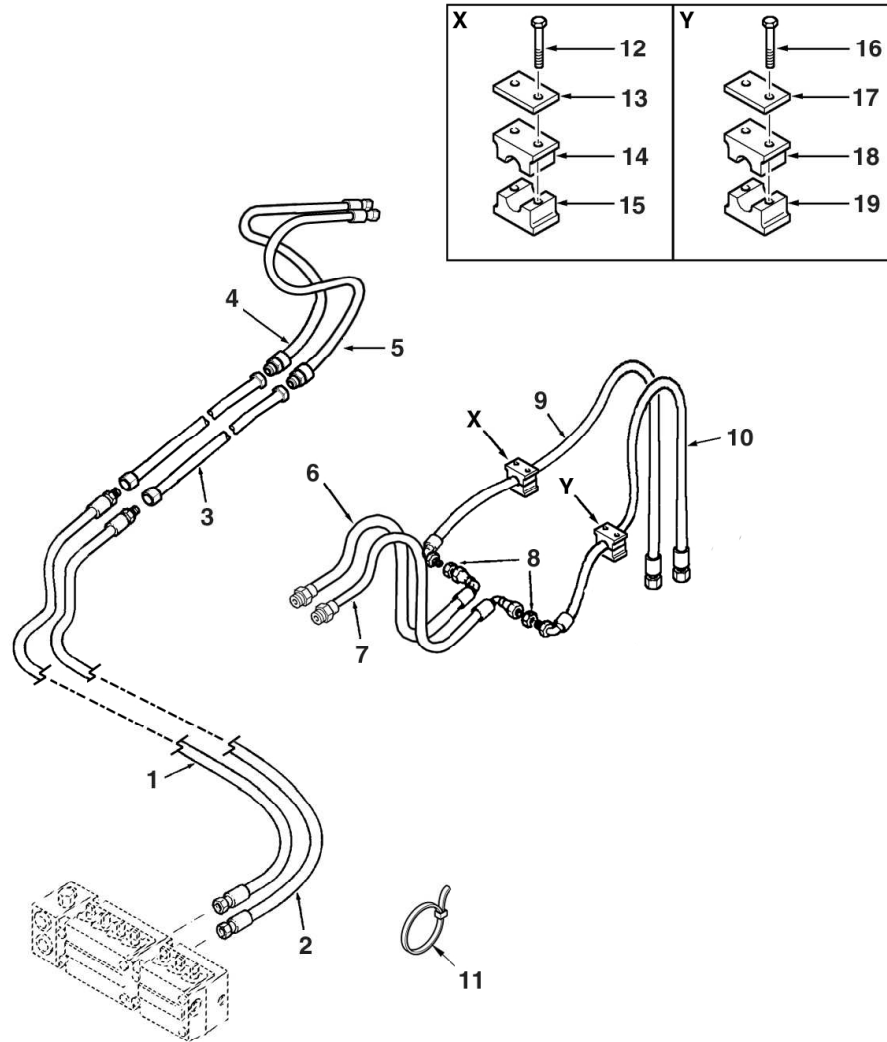


C-78013-02.1-B



Item	Part No.	Qty.	English	French	German	Spanish	Remarks
1	6106874M91	1	Pedal-Ext.Hoe	Ensemble De Pédale	Pedal	Pedal, Conj.	
2	6106734M1	1	Block-Nylon Pivot	Bloc Pivot	Drehzapfen	Pivote	
3	3001758X1	2	Screw M6-50 Sz8 Hex	Goupille	Bolzen M6 X 50	Tornillo	
4	3519538M1	1	Plate Base	Plaque De Base	Grundplatte	Placa De Base	
5	339679X1	1	Bolt M10x60	Vis	Schraube	Perno	
6	6106866M1	2	Bush-Ext. Hoe	Douille	Büchse	Anillo	
7	1440329X1	1	Nut, Hex. - Nyloc, M10	Ecrou Blocage	Flachmutter M10	Tuerca De Retención	
8	394367X1	1	Nut, Hex. - Nyloc, M8	Ecrou Blocage M8	Flachmutter - M8	Tuerca De Retención	
9	6106724M92	1	Rod-Exthoe	Tringlerie	Gestänge	Tirantes, Conj.	
10	3517518M1	1	Ball Joint M8	Rotule	Kugelgelenk	Rotula	
11	339169X1	1	Nut, Hex. - M8, Coarse	Ecrou Métrique	Mutter Metrisch	Tuerca	
12	#ROD	1	Rod	Rod	Rod	Rod	Ref. 9
13	3519650M1	1	Nut, Hex - M8, L/H Thread	Ecrou	Mutter	Tuerca	
14	3520666M1	1	Pin W/ Spring Clip	Axe De Chape	Gabelstift	Eje De Brida	
15	3519590M1	1	Clevis LH Thread	Chape	Gabelverbindung	Brida	
16	6101865M2	1	Decal - Extendahoe	Adhésif	Aufkleber	Adhesivo	

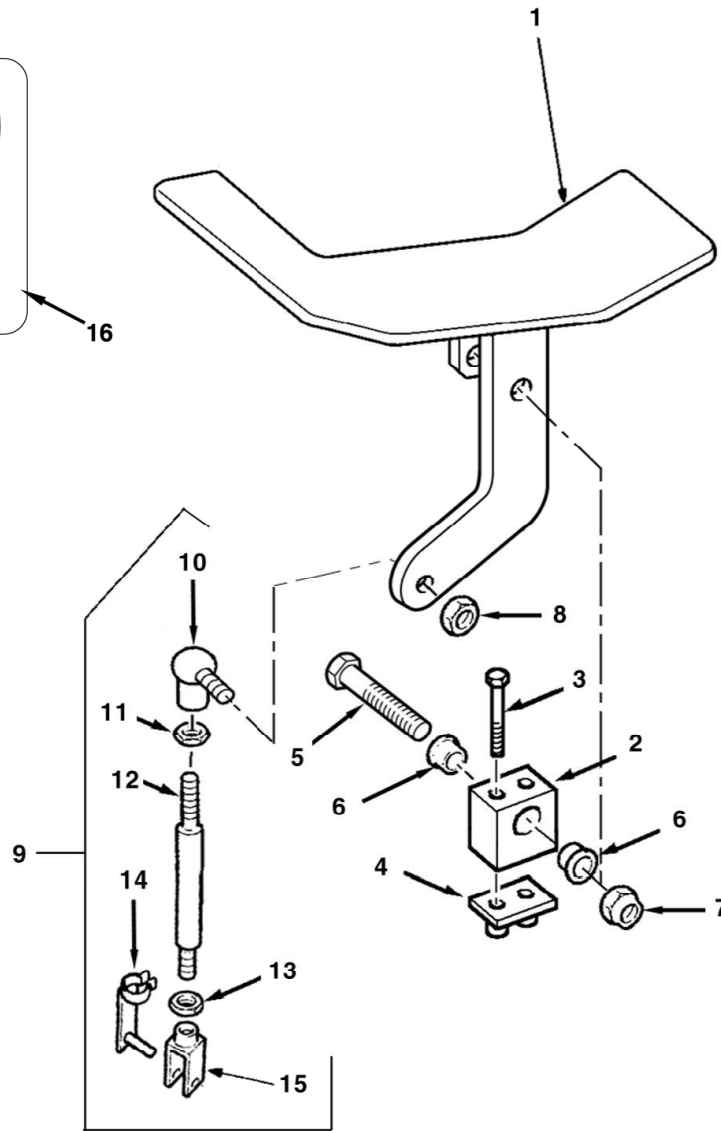
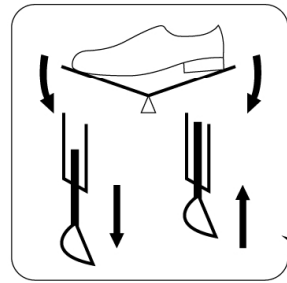
C-78014-01.1-A



Item	Part No.	Qty.	English	French	German	Spanish	Remarks
1	6107464M93	1	Hose Cm Extendahoe	Flexible Ass.	Schlauch Kplt	Flexible, Conj.	Dark Green
2	6107465M92	1	Hose-Cm Extendahoe	Flexible	Schlauch	Flexible, Conj.	Black
3	6101773M91	2	Tube-Ex'hoe 4.5 Boom	Tuyo	Leitung, Kpl.	Conjunto De Tubería	
4	6101741M91	1	Hose-Extendahoe Head	Flexible	Schlauch	Flexible, Conj.	Dark Green
5	6101757M91	1	Hose-Extendahoe Rod	Flexible	Schlauch	Flexible, Conj.	Black
6	6101739M91	1	Hose-Bucket Rod	Flexible	Schlauch	Flexible, Conj.	Brown
7	6101740M91	1	Hose-Bucket Head	Flexible	Schlauch	Flexible, Conj.	White
8	355574X1	2	Nut, Hex. - 7/8" Unf, Lock	Ecrou 7/8" Unf	Mutter 7/8" Unf	Tuerca	
9	6101007M91	1	Hose-Cylinder-Bucket	Flexible Ass.	Schlauch Kplt	Flexible, Conj.	Brown
10	6101008M91	1	Hose-Cylinder-Bucket	Flexible	Schlauch	Flexible, Conj.	White
11	1664405M1	2	Tie Mm T50s	Attache Cable	Kabelbinder	Enlace De Cable	
12	339229X1	2	Bolt M6-40 Z5s Lk	Boulon M6 X 40	Schraube M6 X 40	Tornillo	
13	1462583M1	1	Plate-Clamp	Plaque	Platte	Placa	
14	6102170M1	1	Clamp-Tube	Collier De Serrage	Klemme	Brida De Fijación	
15	6102170M1	1	Clamp-Tube	Collier De Serrage	Klemme	Brida De Fijación	
16	339229X1	2	Bolt M6-40 Z5s Lk	Boulon M6 X 40	Schraube M6 X 40	Tornillo	
17	1462583M1	1	Plate-Clamp	Plaque	Platte	Placa	
18	6102788M1	1	Fixing Bracket	Patte Fixation	Halter	Brida De Fijación	
19	6102788M1	1	Fixing Bracket	Patte Fixation	Halter	Brida De Fijación	



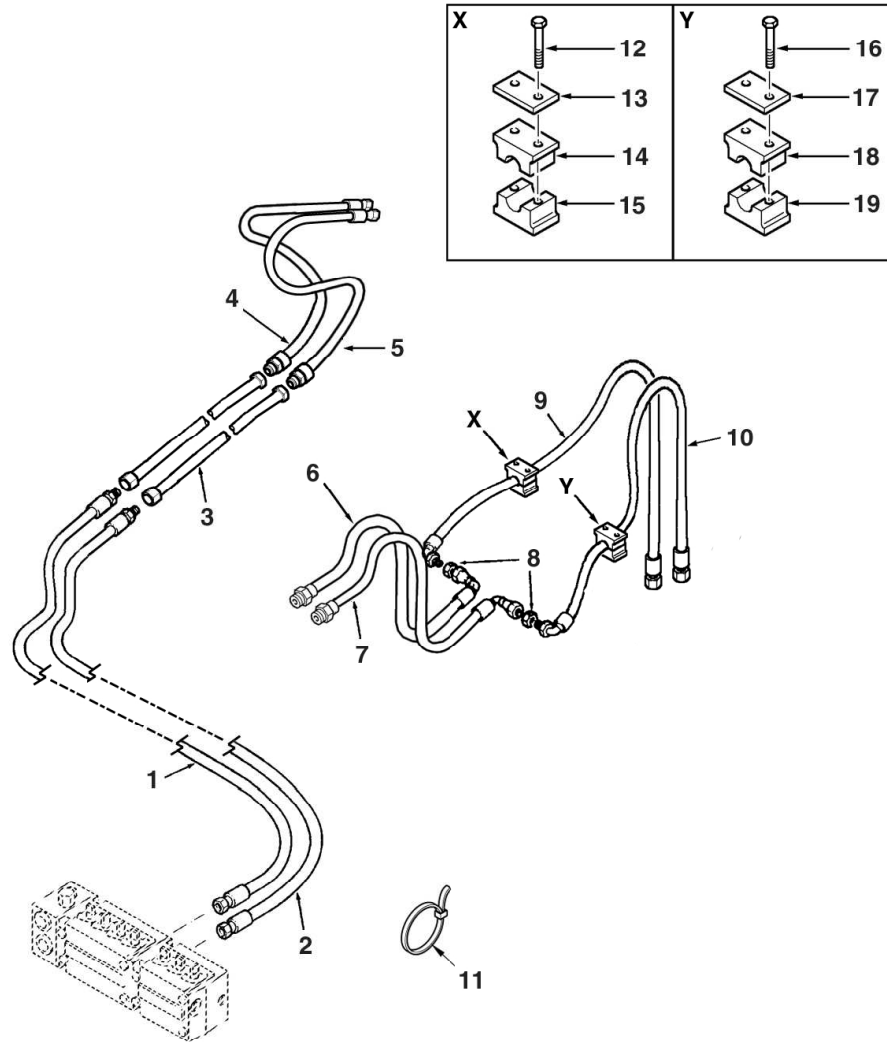
C-78014-02.1-B



Item	Part No.	Qty.	English	French	German	Spanish	Remarks
1	6106874M91	1	Pedal-Ext.Hoe	Ensemble De Pédale	Pedal	Pedal, Conj.	
2	6106734M1	1	Block-Nylon Pivot	Bloc Pivot	Drehzapfen	Pivote	
3	3001758X1	2	Screw M6-50 Sz8 Hex	Goupille	Bolzen M6 X 50	Tornillo	
4	3519538M1	1	Plate Base	Plaque De Base	Grundplatte	Placa De Base	
5	339679X1	1	Bolt M10x60	Vis	Schraube	Perno	
6	6106866M1	2	Bush-Ext. Hoe	Douille	Büchse	Anillo	
7	1440329X1	1	Nut, Hex. - Nyloc, M10	Ecrou Blocage	Flachmutter M10	Tuerca De Retención	
8	394367X1	1	Nut, Hex. - Nyloc, M8	Ecrou Blocage M8	Flachmutter - M8	Tuerca De Retención	
9	6106724M92	1	Rod-Exthoe	Tringlerie	Gestänge	Tirantes, Conj.	
10	3517518M1	1	Ball Joint M8	Rotule	Kugelgelenk	Rotula	
11	339169X1	1	Nut, Hex. - M8, Coarse	Ecrou Métrique	Mutter Metrisch	Tuerca	
12	#ROD	1	Rod	Rod	Rod	Rod	Ref. 9
13	3519650M1	1	Nut, Hex - M8, L/H Thread	Ecrou	Mutter	Tuerca	
14	3520666M1	1	Pin W/ Spring Clip	Axe De Chape	Gabelstift	Eje De Brida	
15	3519590M1	1	Clevis LH Thread	Chape	Gabelverbindung	Brida	
16	6101865M2	1	Decal - Extendahoe	Adhésif	Aufkleber	Adhesivo	



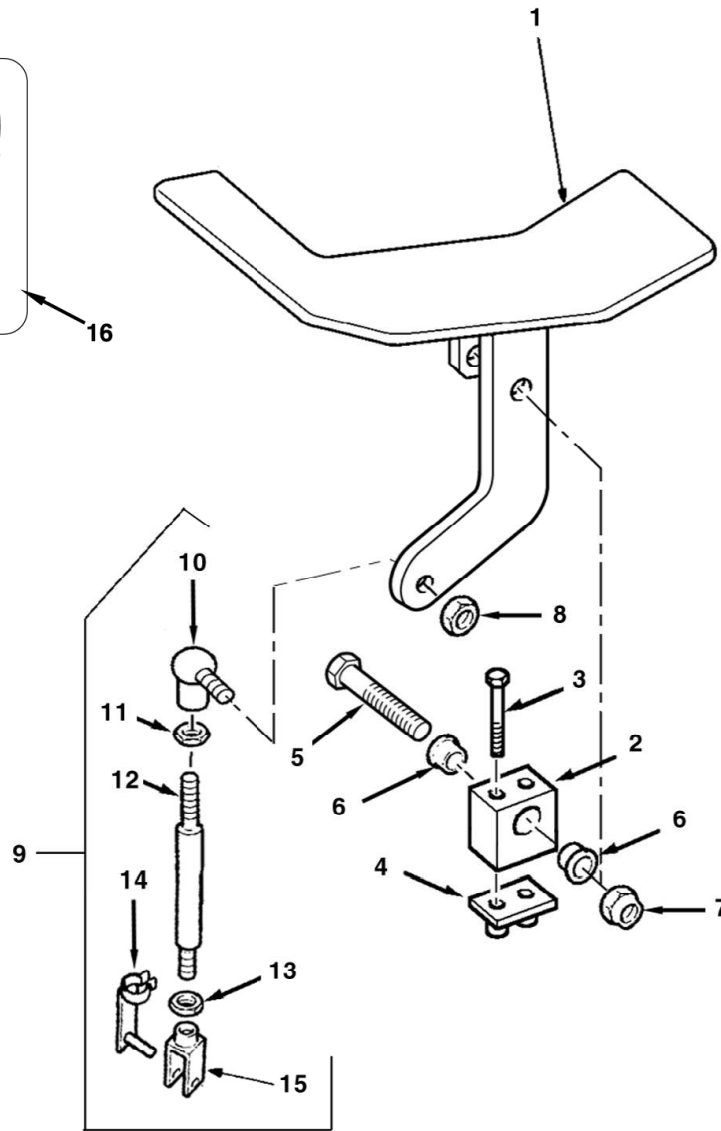
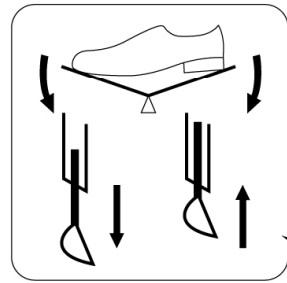
C-78015-01.1-A



Item	Part No.	Qty.	English	French	German	Spanish	Remarks
1	6107464M93	1	Hose Cm Extendahoe	Flexible Ass.	Schlauch Kplt	Flexible, Conj.	Dark Green
2	6107465M92	1	Hose-Cm Extendahoe	Flexible	Schlauch	Flexible, Conj.	Black
3	6101734M91	2	Tube-Ex Hoe 4.9 Cm Boom	Tuyo	Leitung, Kplt.	Conjunto De Tubería	
4	6101741M91	1	Hose-Extendahoe Head	Flexible	Schlauch	Flexible, Conj.	Dark Green
5	6101757M91	1	Hose-Extendahoe Rod	Flexible	Schlauch	Flexible, Conj.	Black
6	6101739M91	1	Hose-Bucket Rod	Flexible	Schlauch	Flexible, Conj.	Brown
7	6101740M91	1	Hose-Bucket Head	Flexible	Schlauch	Flexible, Conj.	White
8	355574X1	2	Nut, Hex. - 7/8" Unf, Lock	Ecrou 7/8" Unf	Mutter 7/8" Unf	Tuerca	
9	6101007M91	1	Hose-Cylinder-Bucket	Flexible Ass.	Schlauch Kplt	Flexible, Conj.	Brown
10	6101008M91	1	Hose-Cylinder-Bucket	Flexible	Schlauch	Flexible, Conj.	White
11	1664405M1	2	Tie Mm T50s	Attache Cable	Kabelbinder	Enlace De Cable	
12	339229X1	2	Bolt M6-40 Z5s Lk	Boulon M6 X 40	Schraube M6 X 40	Tornillo	
13	1462583M1	1	Plate-Clamp	Plaque	Platte	Placa	
14	6102170M1	1	Clamp-Tube	Collier De Serrage	Klemme	Brida De Fijación	
15	6102170M1	1	Clamp-Tube	Collier De Serrage	Klemme	Brida De Fijación	
16	339229X1	2	Bolt M6-40 Z5s Lk	Boulon M6 X 40	Schraube M6 X 40	Tornillo	
17	1462583M1	1	Plate-Clamp	Plaque	Platte	Placa	
18	6102788M1	1	Fixing Bracket	Patte Fixation	Halter	Brida De Fijación	
19	6102788M1	1	Fixing Bracket	Patte Fixation	Halter	Brida De Fijación	

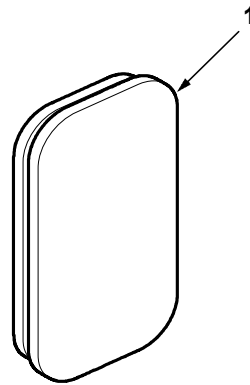


C-78015-02.1-B



Item	Part No.	Qty.	English	French	German	Spanish	Remarks
1	6106874M91	1	Pedal-Ext.Hoe	Ensemble De Pédale	Pedal	Pedal, Conj.	
2	6106734M1	1	Block-Nylon Pivot	Bloc Pivot	Drehzapfen	Pivote	
3	3001758X1	2	Screw M6-50 Sz8 Hex	Goupille	Bolzen M6 X 50	Tornillo	
4	3519538M1	1	Plate Base	Plaque De Base	Grundplatte	Placa De Base	
5	339679X1	1	Bolt M10x60	Vis	Schraube	Perno	
6	6106866M1	2	Bush-Ext. Hoe	Douille	Büchse	Anillo	
7	1440329X1	1	Nut, Hex. - Nyloc, M10	Ecrou Blocage	Flachmutter M10	Tuerca De Retención	
8	394367X1	1	Nut, Hex. - Nyloc, M8	Ecrou Blocage M8	Flachmutter - M8	Tuerca De Retención	
9	6106724M92	1	Rod-Exthoe	Tringlerie	Gestänge	Tirantes, Conj.	
10	3517518M1	1	Ball Joint M8	Rotule	Kugelgelenk	Rotula	
11	339169X1	1	Nut, Hex. - M8, Coarse	Ecrou Métrique	Mutter Metrisch	Tuerca	
12	#ROD	1	Rod	Rod	Rod	Rod	Ref. 9
13	3519650M1	1	Nut, Hex - M8, L/H Thread	Ecrou	Mutter	Tuerca	
14	3520666M1	1	Pin W/ Spring Clip	Axe De Chape	Gabelstift	Eje De Brida	
15	3519590M1	1	Clevis LH Thread	Chape	Gabelverbindung	Brida	
16	6101865M2	1	Decal - Extendahoe	Adhésif	Aufkleber	Adhesivo	

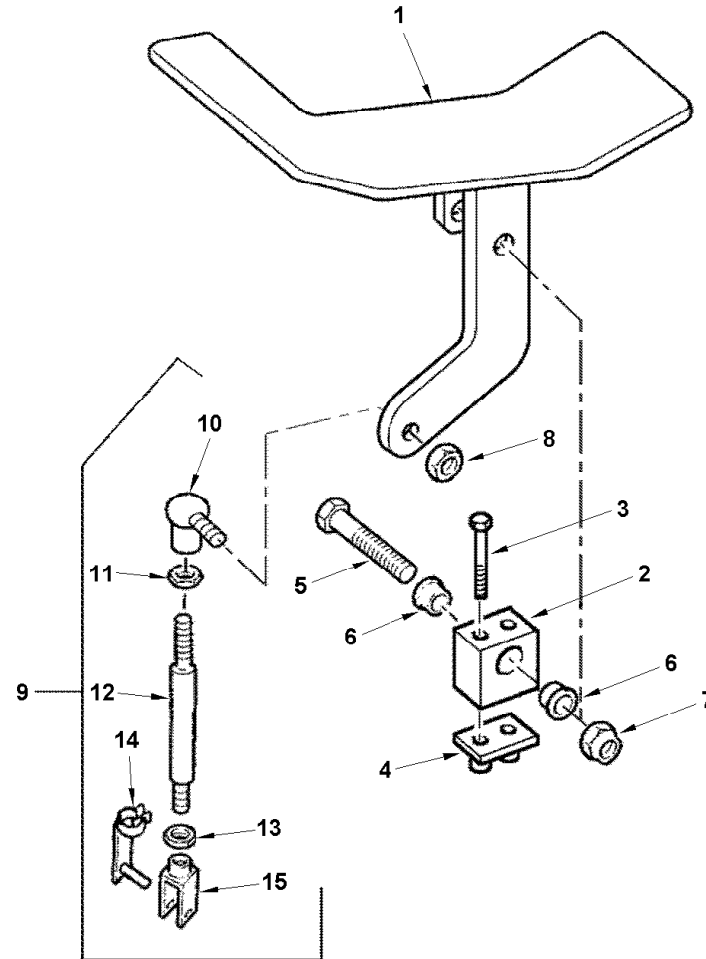
C-78016-01.1-A



Item	Part No.	Qty.	English	French	German	Spanish	Remarks
1	6110317M1	1	Bung - Rear Mat	Bonde	Spund	Casquillo	



C-78017-01.1-A



Item	Part No.	Qty.	English	French	German	Spanish	Remarks
1	6106874M91	1	Pedal-Ext.Hoe	Ensemble De Pédale	Pedal	Pedal, Conj.	
2	6106734M1	1	Block-Nylon Pivot	Bloc Pivot	Drehzapfen	Pivote	
3	3001758X1	2	Screw M6-50 Sz8 Hex	Goupille	Bolzen M6 X 50	Tornillo	
4	3519538M1	1	Plate Base	Plaque De Base	Grundplatte	Placa De Base	
5	339679X1	1	Bolt M10x60	Vis	Schraube	Perno	
6	6106866M1	2	Bush-Ext. Hoe	Douille	Büchse	Anillo	
7	1440329X1	1	Nut, Hex. - Nyloc, M10	Ecrou Blocage	Flachmutter M10	Tuerca De Retención	
8	394367X1	1	Nut, Hex. - Nyloc, M8	Ecrou Blocage M8	Flachmutter - M8	Tuerca De Retención	
9	6106724M92	1	Rod-Exthoe	Tringlerie	Gestänge	Tirantes, Conj.	
10	3517518M1	1	Ball Joint M8	Rotule	Kugelgelenk	Rotula	
11	339169X1	1	Nut, Hex. - M8, Coarse	Ecrou Métrique	Mutter Metrisch	Tuerca	
12	#ROD	1	Rod	Rod	Rod	Rod	Ref. 9
13	3519650M1	1	Nut, Hex - M8, L/H Thread	Ecrou	Mutter	Tuerca	
14	3520666M1	1	Pin W/ Spring Clip	Axe De Chape	Gabelstift	Eje De Brida	
15	3519590M1	1	Clevis LH Thread	Chape	Gabelverbindung	Brida	



Not Illustrated

Non Illustrée

Nicht Abgebildet

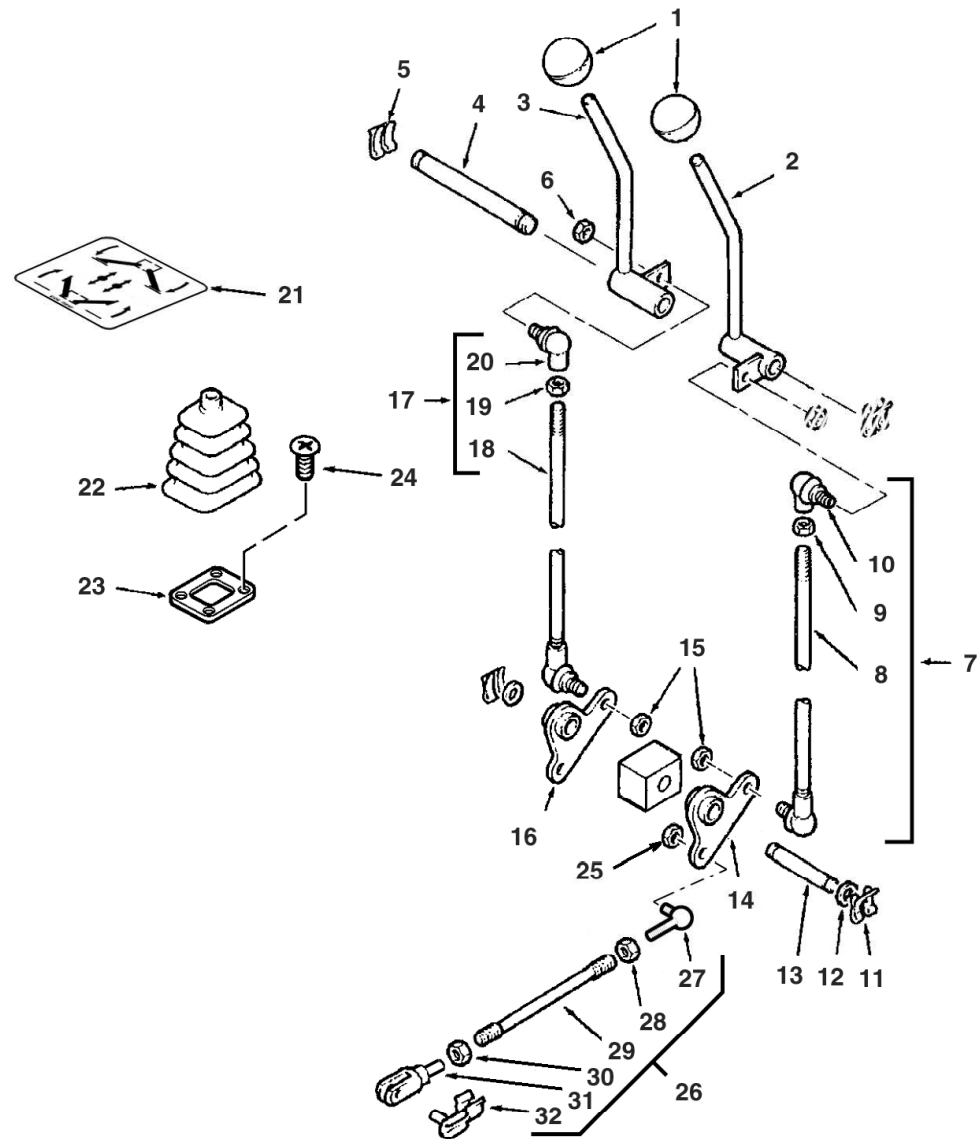
Non Illustrato

No Ilustrado

Item	Part No.	Qty.	English	French	German	Spanish	Remarks
-------------	-----------------	-------------	----------------	---------------	---------------	----------------	----------------



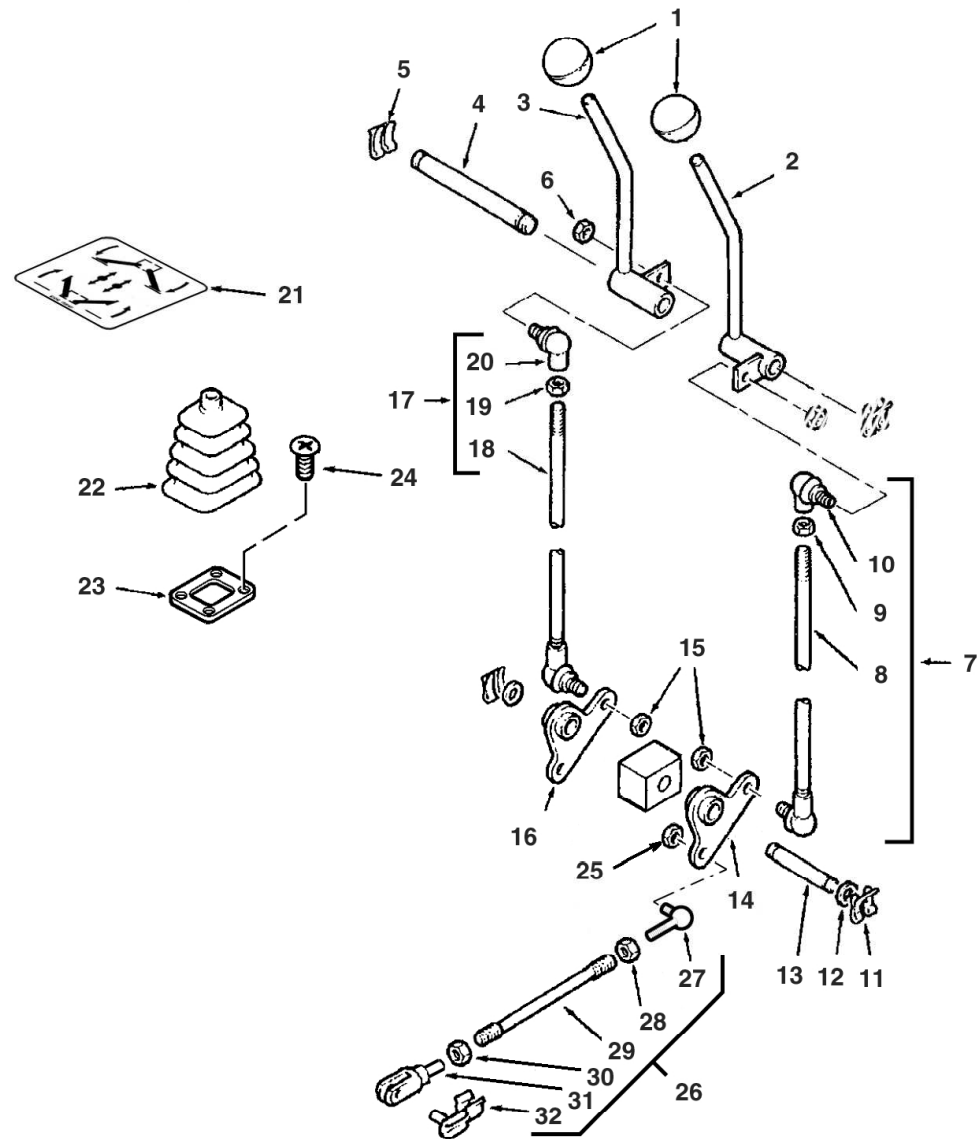
C-79001-01.1-A



Item	Part No.	Qty.	English	French	German	Spanish	Remarks
1	3517899M1	2	Knob Yellow Screw On	Boule	Knauf	Bola	
2	6100825M93	1	Handle - Stabiliser Control LH	Poignee	Handgriff	Palanca De Mando	
3	6100826M93	1	Handle - Stabiliser Control RH	Poignee	Handgriff	Palanca De Mando	
4	3521567M2	1	Shaft 122mm	Arbre	Welle	Pasador	
5	3521460M1	2	Fastener Safety M12	Agrafe	Befestigungsvorr.	Clip	
6	394367X1	2	Nut, Hex. - Nyloc, M8	Ecrou Blocage M8	Flachmutter - M8	Tuerca De Retención	
7	6100874M91	1	Rod Assy Stabiliser	Ensemble Tringlerie	Gestänge	Tirantes, Conj.	
8	#ROD	1	Rod	Rod	Rod	Rod	Ref. 7
9	392309X1	1	Nut M8 Thin	Ecrou	Mutter	Tuerca	
10	3520655M1	1	Ball-Joint	Rotule	Kugelgelenk	Rotula	
11	3521461M1	2	Fastener Safety M10	Circlip Ressort	Klemmfeder	Clip	
12	390734X1	2	Washer M10-21-2 Z	Rondelle - M10	Unterlegscheibe	Arandela	
13	6108468M1	1	Pin-Stab Lever	Axe	Bolzen	Pasador	
14	6107713M1	1	Pivot-Stab Control	Pivot	Wellenzapfen	Pivote	
15	394367X1	2	Nut, Hex. - Nyloc, M8	Ecrou Blocage M8	Flachmutter - M8	Tuerca De Retención	
16	6107713M1	1	Pivot-Stab Control	Pivot	Wellenzapfen	Pivote	
17	6100873M91	1	Rod Assy Stabiliser	Ensemble Tringlerie	Gestänge	Tirantes, Conj.	
18	#ROD	1	Rod	Rod	Rod	Rod	Ref. 17
19	392309X1	1	Nut M8 Thin	Ecrou	Mutter	Tuerca	
20	3520655M1	1	Ball-Joint	Rotule	Kugelgelenk	Rotula	
21	6106157M1	1	Decal-Ss Stab Control	Adhésif	Aufkleber	Adhesivo	
22	6109925M1	2	Gaiter - Stab Lever (Black)	Manchette	Manschette	Fuelle	
23	6101343M2	2	Plate-Gaiter Retaining	Plaque Manchette	Platte	Placa	
24	3521303M3	8	Fastener, Plastic - Gear Lever Gaiter	Agrafe	Halteklammer	Eganche	
25	339169X1	2	Nut, Hex. - M8, Coarse	Ecrou Métrique	Mutter Metrisch	Tuerca	
26	6106905M91	2	Rod-Digger Control	Tringlerie	Gestänge	Tirantes, Conj.	
27	3517518M1	1	Ball Joint M8	Rotule	Kugelgelenk	Rotula	
28	339169X1	1	Nut, Hex. - M8, Coarse	Ecrou Métrique	Mutter Metrisch	Tuerca	
29	#ROD	1	Rod	Rod	Rod	Rod	Ref. 26
30	3519650M1	1	Nut, Hex - M8, L/H Thread	Ecrou	Mutter	Tuerca	



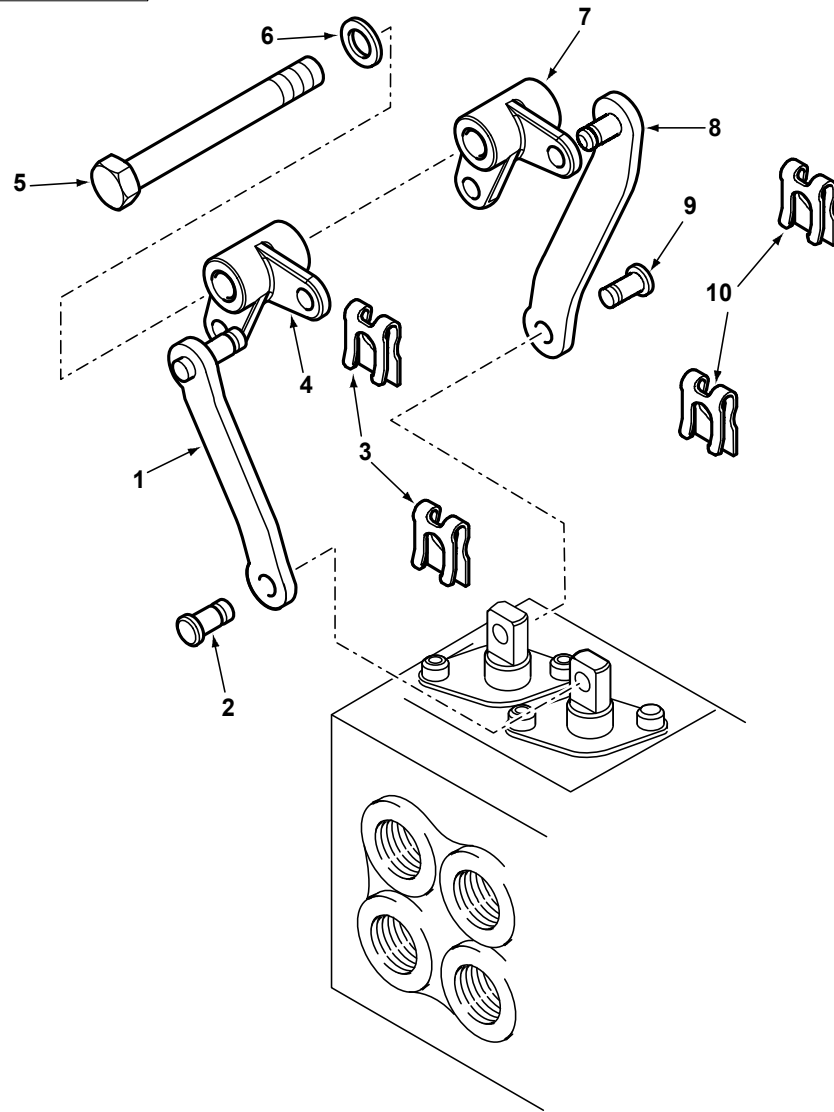
C-79001-01.1-A



Item	Part No.	Qty.	English	French	German	Spanish	Remarks
31	3519590M1	1	Clevis LH Thread	Chape	Gabelverbindung	Brida	
32	3520666M1	1	Pin W/ Spring Clip	Axe De Chape	Gabelstift	Eje De Brida	



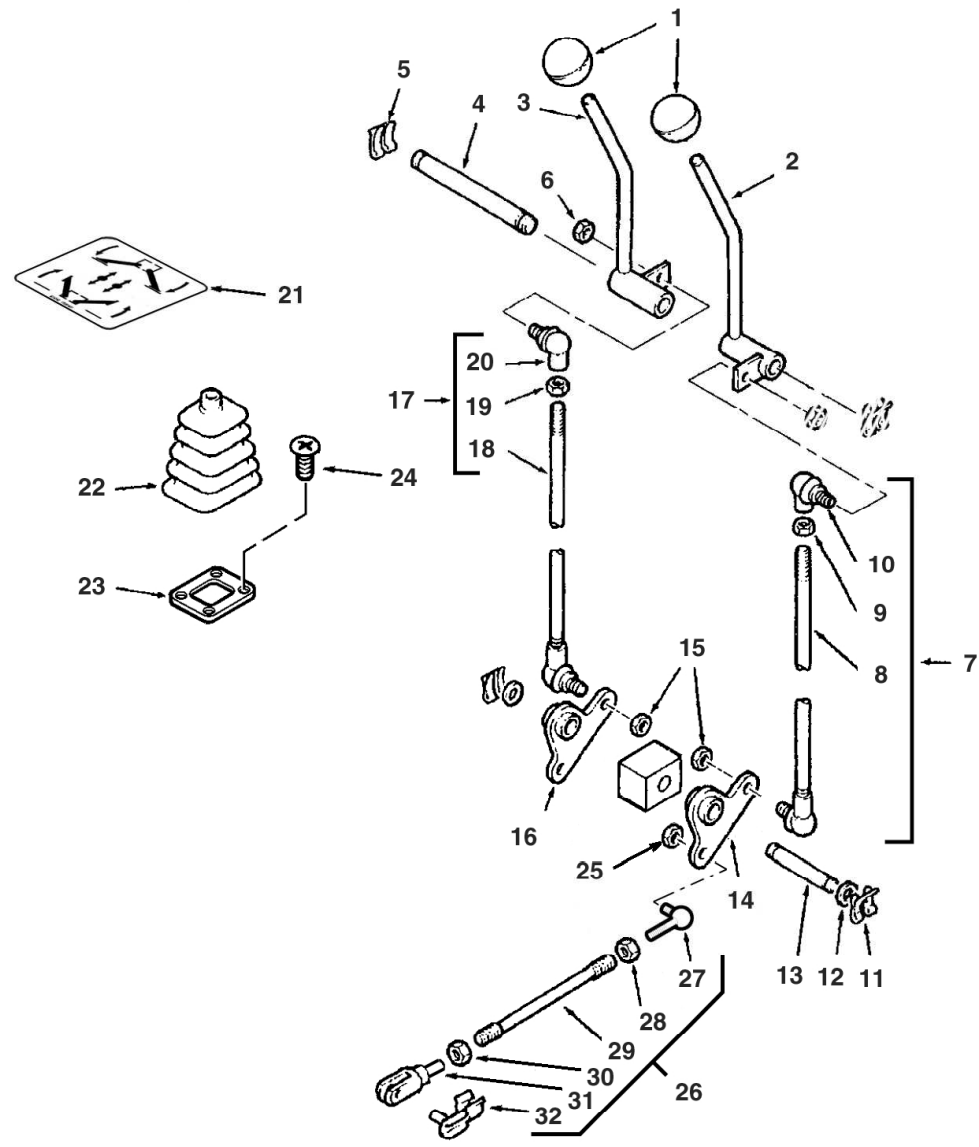
C-79001-02.1-A



Item	Part No.	Qty.	English	French	German	Spanish	Remarks
1	6106626M92	1	Link-Stab	Maillon Ass.	Gelenkstange Kplt	Eslabón, Conj.	
2	6102816M1	1	Pin-Clevis	Axe De Chape	Gabelstift	Eje De Brida	
3	3516322M1	2	Clip, Spring - No.8	Clip	Klips	Clip	
4	6108530M1	1	Pivot-Stab Controls	Ensemble De Levier	Hebel Kpl.	Palanca, Conj.	
5	3009518X1	1	Bolt - M12 X 110lg	Goupille	Bolzen M12 X 110	Perno	
6	339369X1	1	Washer M12-22-2 Zsp	Rondelle Frein	Federring - M12	Arandela De Freno	
7	6108530M1	1	Pivot-Stab Controls	Ensemble De Levier	Hebel Kpl.	Palanca, Conj.	
8	6106626M92	1	Link-Stab	Maillon Ass.	Gelenkstange Kplt	Eslabón, Conj.	
9	6102816M1	1	Pin-Clevis	Axe De Chape	Gabelstift	Eje De Brida	
10	3516322M1	2	Clip, Spring - No.8	Clip	Klips	Clip	



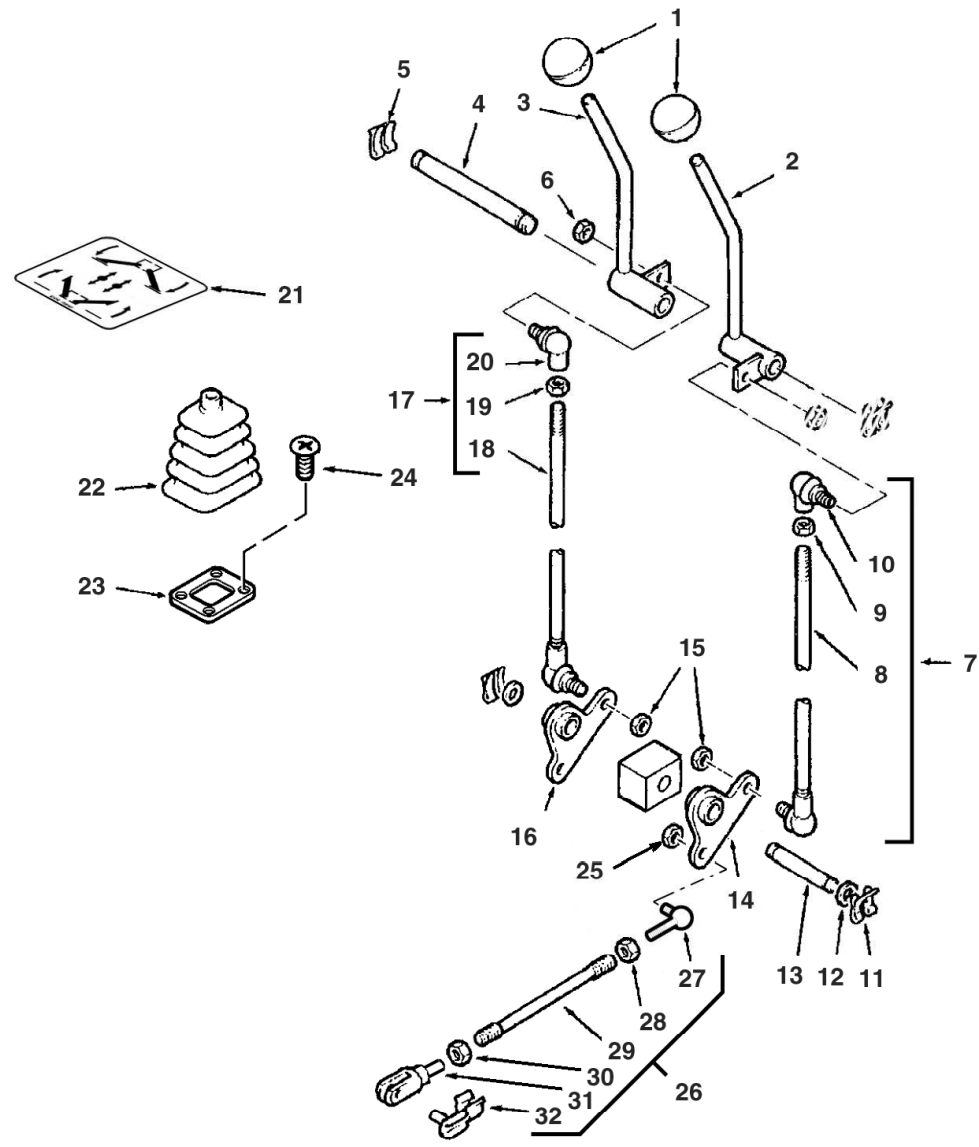
C-79002-01.1-A



Item	Part No.	Qty.	English	French	German	Spanish	Remarks
1	3517899M1	2	Knob Yellow Screw On	Boule	Knauf	Bola	
2	6100825M93	1	Handle - Stabiliser Control LH	Poignee	Handgriff	Palanca De Mando	
3	6100826M93	1	Handle - Stabiliser Control RH	Poignee	Handgriff	Palanca De Mando	
4	3521567M2	1	Shaft 122mm	Arbre	Welle	Pasador	
5	3521460M1	2	Fastener Safety M12	Agrafe	Befestigungsvorr.	Clip	
6	394367X1	2	Nut, Hex. - Nyloc, M8	Ecrou Blocage M8	Flachmutter - M8	Tuerca De Retención	
7	6100874M91	1	Rod Assy Stabiliser	Ensemble Tringlerie	Gestänge	Tirantes, Conj.	
8	#ROD	1	Rod	Rod	Rod	Rod	Ref. 7
9	392309X1	1	Nut M8 Thin	Ecrou	Mutter	Tuerca	
10	3520655M1	1	Ball-Joint	Rotule	Kugelgelenk	Rotula	
11	3521461M1	2	Fastener Safety M10	Circlip Ressort	Klemmfeder	Clip	
12	390734X1	2	Washer M10-21-2 Z	Rondelle - M10	Unterlegscheibe	Arandela	
13	6108468M1	1	Pin-Stab Lever	Axe	Bolzen	Pasador	
14	6107713M1	1	Pivot-Stab Control	Pivot	Wellenzapfen	Pivote	
15	394367X1	2	Nut, Hex. - Nyloc, M8	Ecrou Blocage M8	Flachmutter - M8	Tuerca De Retención	
16	6107713M1	1	Pivot-Stab Control	Pivot	Wellenzapfen	Pivote	
17	6100873M91	1	Rod Assy Stabiliser	Ensemble Tringlerie	Gestänge	Tirantes, Conj.	
18	#ROD	1	Rod	Rod	Rod	Rod	Ref. 17
19	392309X1	1	Nut M8 Thin	Ecrou	Mutter	Tuerca	
20	3520655M1	1	Ball-Joint	Rotule	Kugelgelenk	Rotula	
21	6106158M1	1	Decal-Cm Stab Control	Adhésif	Aufkleber	Adhesivo	
22	6109925M1	2	Gaiter - Stab Lever (Black)	Manchette	Manschette	Fuelle	
23	6101343M2	2	Plate-Gaiter Retaining	Plaque Manchette	Platte	Placa	
24	3521303M3	8	Fastener, Plastic - Gear Lever Gaiter	Agrafe	Halteklammer	Eganche	
25	339169X1	2	Nut, Hex. - M8, Coarse	Ecrou Métrique	Mutter Metrisch	Tuerca	
26	6106905M91	2	Rod-Digger Control	Tringlerie	Gestänge	Tirantes, Conj.	
27	3517518M1	1	Ball Joint M8	Rotule	Kugelgelenk	Rotula	
28	339169X1	1	Nut, Hex. - M8, Coarse	Ecrou Métrique	Mutter Metrisch	Tuerca	
29	#ROD	1	Rod	Rod	Rod	Rod	Ref. 26
30	3519650M1	1	Nut, Hex - M8, L/H Thread	Ecrou	Mutter	Tuerca	

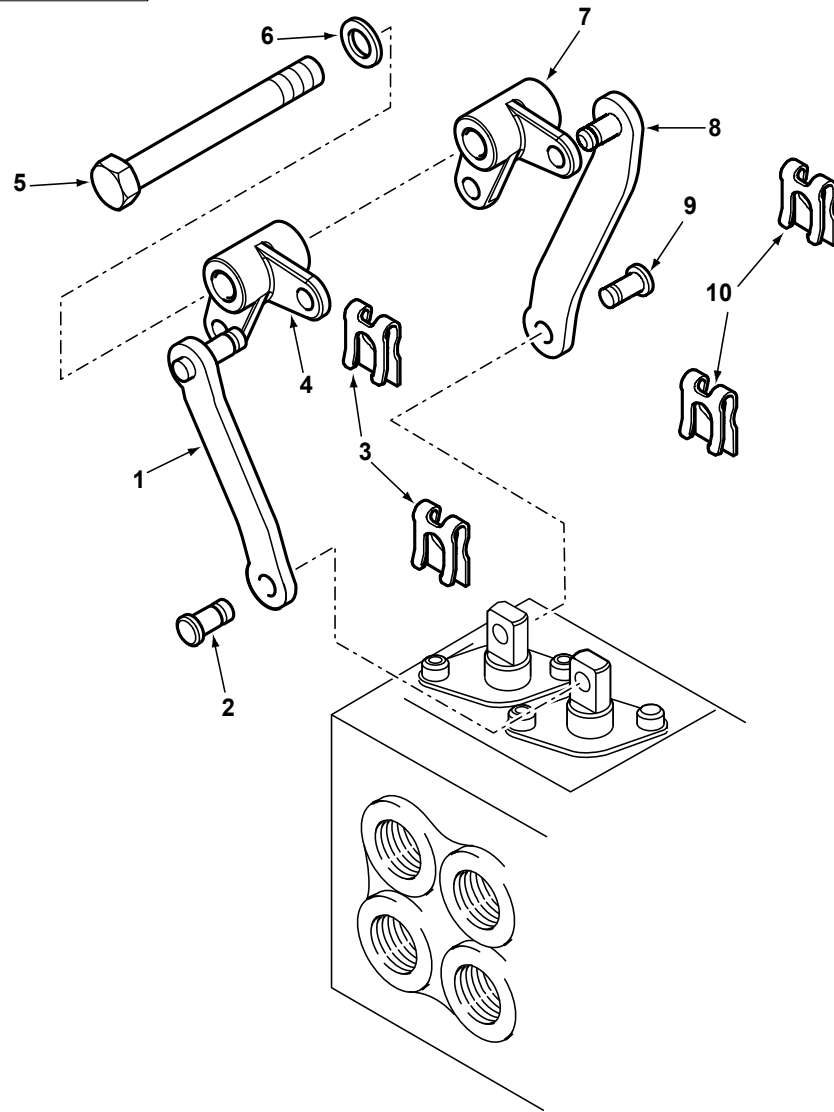


C-79002-01.1-A



Item	Part No.	Qty.	English	French	German	Spanish	Remarks
31	3519590M1	1	Clevis LH Thread	Chape	Gabelverbindung	Brida	
32	3520666M1	1	Pin W/ Spring Clip	Axe De Chape	Gabelstift	Eje De Brida	

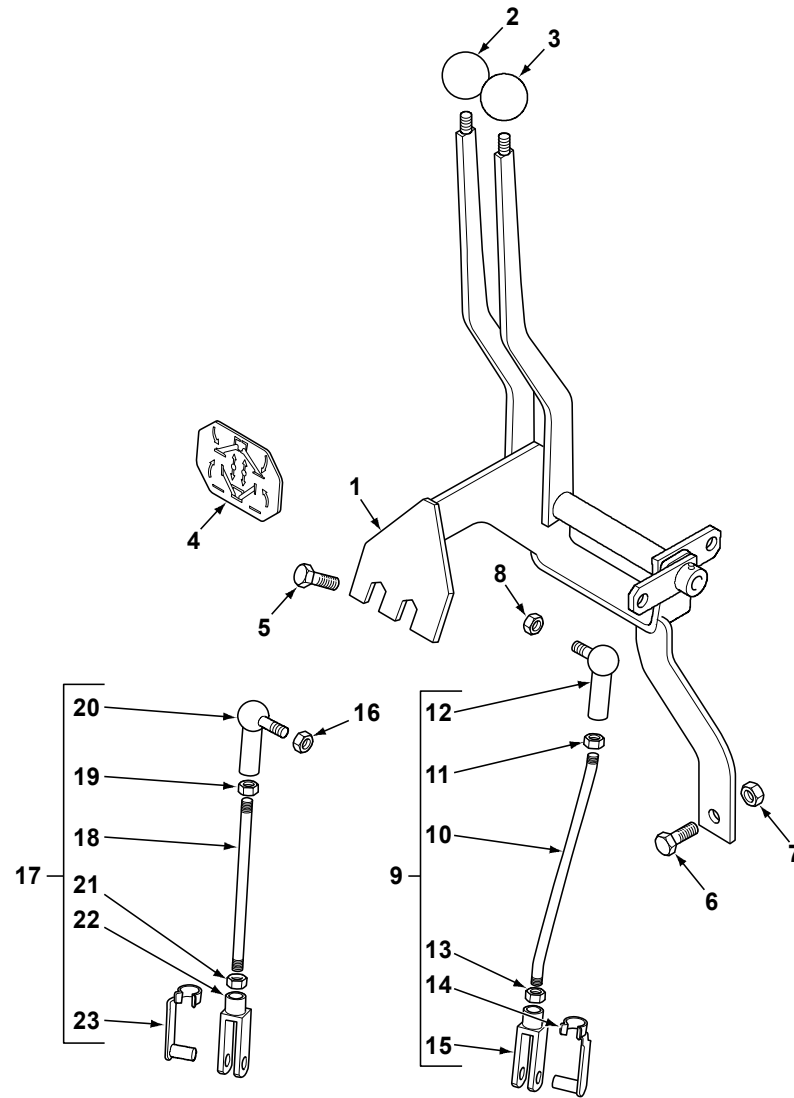
C-79002-02.1-A



Item	Part No.	Qty.	English	French	German	Spanish	Remarks
1	6106626M92	1	Link-Stab	Maillon Ass.	Gelenkstange Kplt	Eslabón, Conj.	
2	6102816M1	1	Pin-Clevis	Axe De Chape	Gabelstift	Eje De Brida	
3	3516322M1	2	Clip, Spring - No.8	Clip	Klips	Clip	
4	6108530M1	1	Pivot-Stab Controls	Ensemble De Levier	Hebel Kpl.	Palanca, Conj.	
5	3009518X1	1	Bolt - M12 X 110lg	Goupille	Bolzen M12 X 110	Perno	
6	339369X1	1	Washer M12-22-2 Zsp	Rondelle Frein	Federring - M12	Arandela De Freno	
7	6108530M1	1	Pivot-Stab Controls	Ensemble De Levier	Hebel Kpl.	Palanca, Conj.	
8	6106626M92	1	Link-Stab	Maillon Ass.	Gelenkstange Kplt	Eslabón, Conj.	
9	6102816M1	1	Pin-Clevis	Axe De Chape	Gabelstift	Eje De Brida	
10	3516322M1	2	Clip, Spring - No.8	Clip	Klips	Clip	



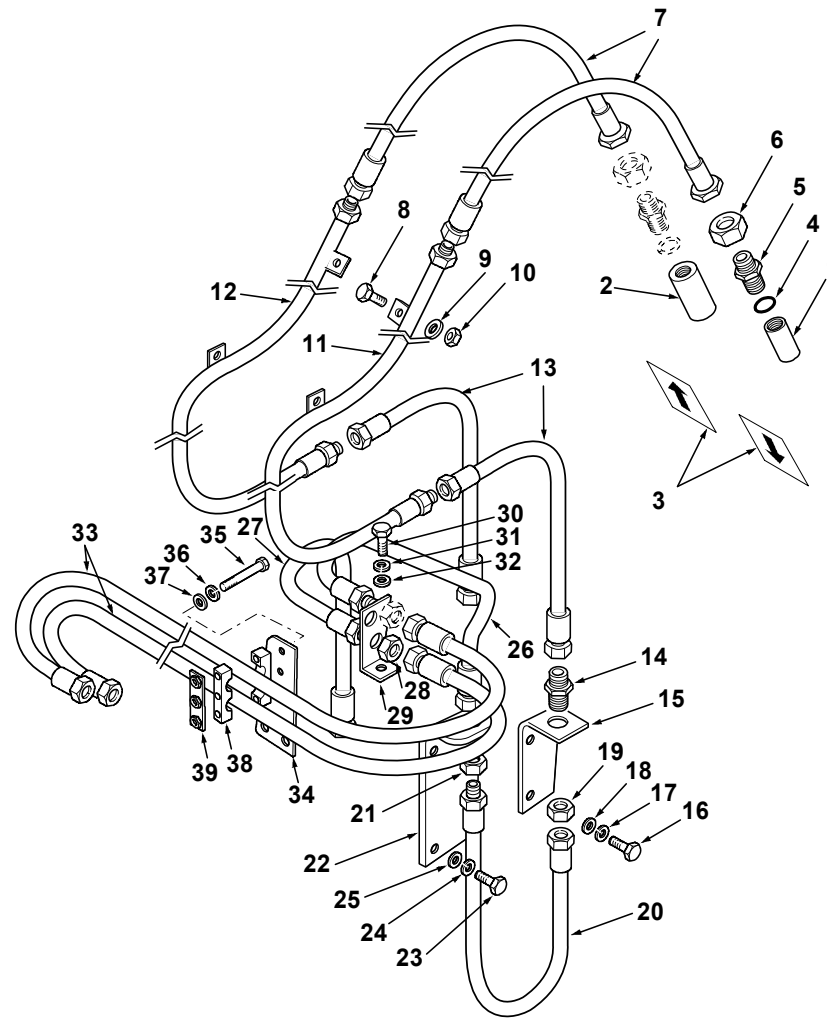
C-79003-01.1-A



Item	Part No.	Qty.	English	French	German	Spanish	Remarks
1	6109033M94	1	Bracket And Lever Assembly	Ensemble Levier	Halter Kpl	Palanca, Conj.	
2	3517899M1	1	Knob Yellow Screw On	Boule	Knauf	Bola	
3	3517899M1	1	Knob Yellow Screw On	Boule	Knauf	Bola	
4	6106158M1	1	Decal-Cm Stab Control	Adhésif	Aufkleber	Adhesivo	
5	339761X1	2	Bolt M8-25 Z5f	Goupille	Bolzen M8 X 25	Tornillo	
6	3009493X1	1	Bolt M10-30 Z5c	Boulon M10 X 30	Maschschraube M10	Perno	
7	1440329X1	1	Nut, Hex. - Nyloc, M10	Ecrou Blocage	Flachmutter M10	Tuerca De Retención	
8	394367X1	1	Nut, Hex. - Nyloc, M8	Ecrou Blocage M8	Flachmutter - M8	Tuerca De Retención	
9	6108430M92	1	Rod-Stab	Tringlerie	Gestänge	Tirantes, Conj.	
10	#ROD	1	Rod	Rod	Rod	Rod	Ref. 9
11	339169X1	1	Nut, Hex. - M8, Coarse	Ecrou Métrique	Mutter Metrisch	Tuerca	
12	3517518M1	1	Ball Joint M8	Rotule	Kugelgelenk	Rotula	
13	3519650M1	1	Nut, Hex - M8, L/H Thread	Ecrou	Mutter	Tuerca	
14	3520666M1	1	Pin W/ Spring Clip	Axe De Chape	Gabelstift	Eje De Brida	
15	3520666M1	1	Pin W/ Spring Clip	Axe De Chape	Gabelstift	Eje De Brida	
16	394367X1	1	Nut, Hex. - Nyloc, M8	Ecrou Blocage M8	Flachmutter - M8	Tuerca De Retención	
17	6108429M91	1	Rod Assy Stabiliser	Tringlerie	Gestänge	Tirantes, Conj.	
18	#ROD	1	Rod	Rod	Rod	Rod	Ref. 17
19	339169X1	1	Nut, Hex. - M8, Coarse	Ecrou Métrique	Mutter Metrisch	Tuerca	
20	3517518M1	1	Ball Joint M8	Rotule	Kugelgelenk	Rotula	
21	3519650M1	1	Nut, Hex - M8, L/H Thread	Ecrou	Mutter	Tuerca	
22	3519590M1	1	Clevis LH Thread	Chape	Gabelverbindung	Brida	
23	3520666M1	1	Pin W/ Spring Clip	Axe De Chape	Gabelstift	Eje De Brida	



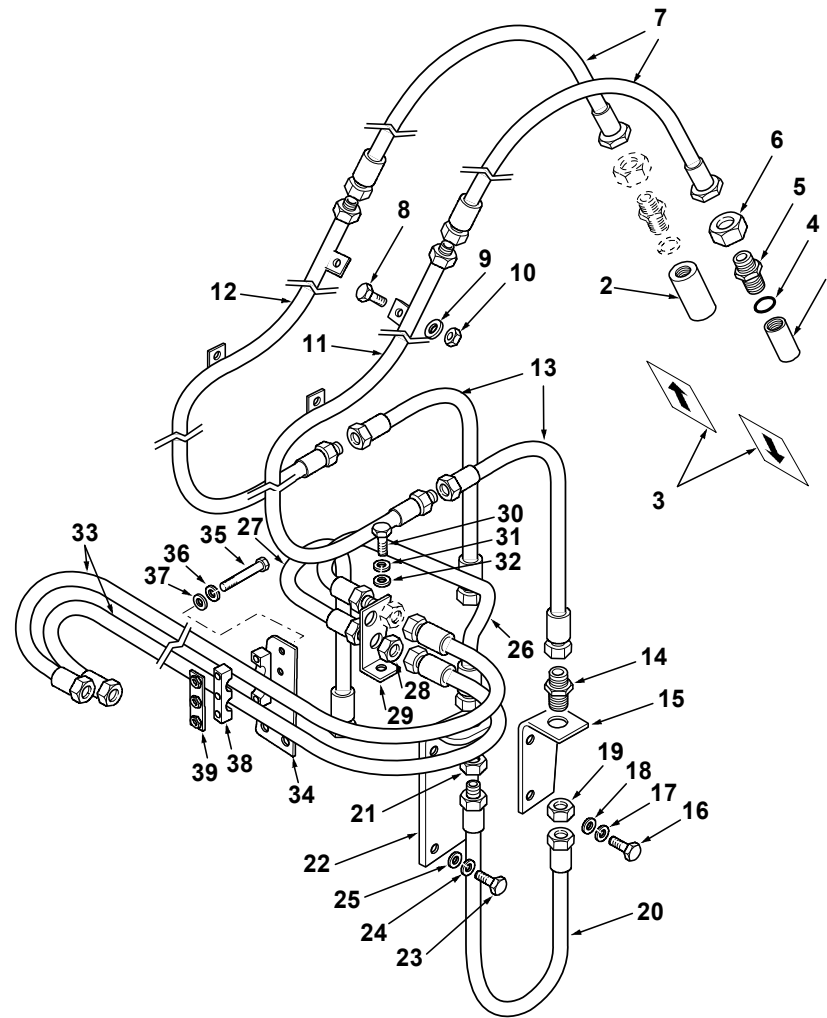
C-80001-01.1-A



Item	Part No.	Qty.	English	French	German	Spanish	Remarks
1	3516796M91	1	Coupling Male Q/Rel	Coupleur Male	Kuppist Innen	Acoplador Rápido	
2	3516795M91	1	Coupling Female Q/Rel	Coupleur Femelle	Kuppist Aussen	Acoplamiento Rápido	
3	6106080M1	2	Decal-Arrow	Adhésif	Aufkleber	Adhesivo	
4	835025M1	2	Ring O	Joint Torique	O Ring	Junta De Tipo O	
5	356269X1	2	Connector, Straight - Hydraulic	Passe-Cloison	Doppelnippel	Pasatabiques	
6	355575X1	2	Nut 1 1/16-12 Bkhd Loc	Ecrou Blocage	Flachmutter	Tuerca De Retención	
7	6106190M91	2	Hose-Aux Dipper	Flexible Ass.	Schlauch Kpl	Flexible, Conj.	
8	339761X1	4	Bolt M8-25 Z5f	Goupille	Bolzen M8 X 25	Tornillo	
9	390972X1	4	Washer M8-17-1 Zwl	Rondelle M8	Scheibe - M8	Arandela	
10	394367X1	4	Nut, Hex. - Nyloc, M8	Ecrou Blocage M8	Flachmutter - M8	Tuerca De Retención	
11	6106186M92	1	Tube-Aux Boom 4.5 LH	Ensemble Tube	Rohr Kpl	Conjunto De Tubería	
12	6106188M92	1	Tube-Aux Boom 4.5 RH	Ensemble Tube	Rohr Kpl	Conjunto De Tubería	
13	6106185M91	2	Hose-Aux Hyd Boom Ss	Flexible Ass.	Schlauch Kpl	Flexible, Conj.	
14	356269X1	2	Connector, Straight - Hydraulic	Passe-Cloison	Doppelnippel	Pasatabiques	
15	6101964M1	1	Bracket-Lh	Patte Fixation	Haltearm	Pata De Fijación	
15	6101965M1	1	Bracket-Rh	Patte Fixation	Haltearm	Pata De Fijación	
16	339123X1	4	Bolt M8-20 Z5f	Boulon M8 X 20	Maschschraube M8	Perno	
17	339374X1	4	Washer M8 -21-2 Z	Rondelle Frein - M8	Federring - M8	Arandela De Freno	
18	390972X1	4	Washer M8-17-1 Zwl	Rondelle M8	Scheibe - M8	Arandela	
19	355575X1	2	Nut 1 1/16-12 Bkhd Loc	Ecrou Blocage	Flachmutter	Tuerca De Retención	
20	6101899M91	2	Hose Assy.	Flexible Ass.	Schlauch Kpl	Flexible, Conj.	
21	355575X1	2	Nut 1 1/16-12 Bkhd Loc	Ecrou Blocage	Flachmutter	Tuerca De Retención	
22	6101459M91	2	Bracket-Hammer-W/Assy	Patte Fixation	Halter	Pata De Fijación	
23	339123X1	4	Bolt M8-20 Z5f	Boulon M8 X 20	Maschschraube M8	Perno	
24	339374X1	4	Washer M8 -21-2 Z	Rondelle Frein - M8	Federring - M8	Arandela De Freno	
25	390972X1	4	Washer M8-17-1 Zwl	Rondelle M8	Scheibe - M8	Arandela	
26	6101461M92	1	Tube-Upper-Hammer	Tuyauterie	Rohr Kpl	Conjunto De Tubería	
27	6101463M92	1	Tube-Lower-Hammer	Tuyauterie	Rohr Kpl	Conjunto De Tubería	
28	355575X1	2	Nut 1 1/16-12 Bkhd Loc	Ecrou Blocage	Flachmutter	Tuerca De Retención	
29	6101466M3	1	Bracket-Hammer Support	Patte Fixation	Haltearm	Pata De Fijación	

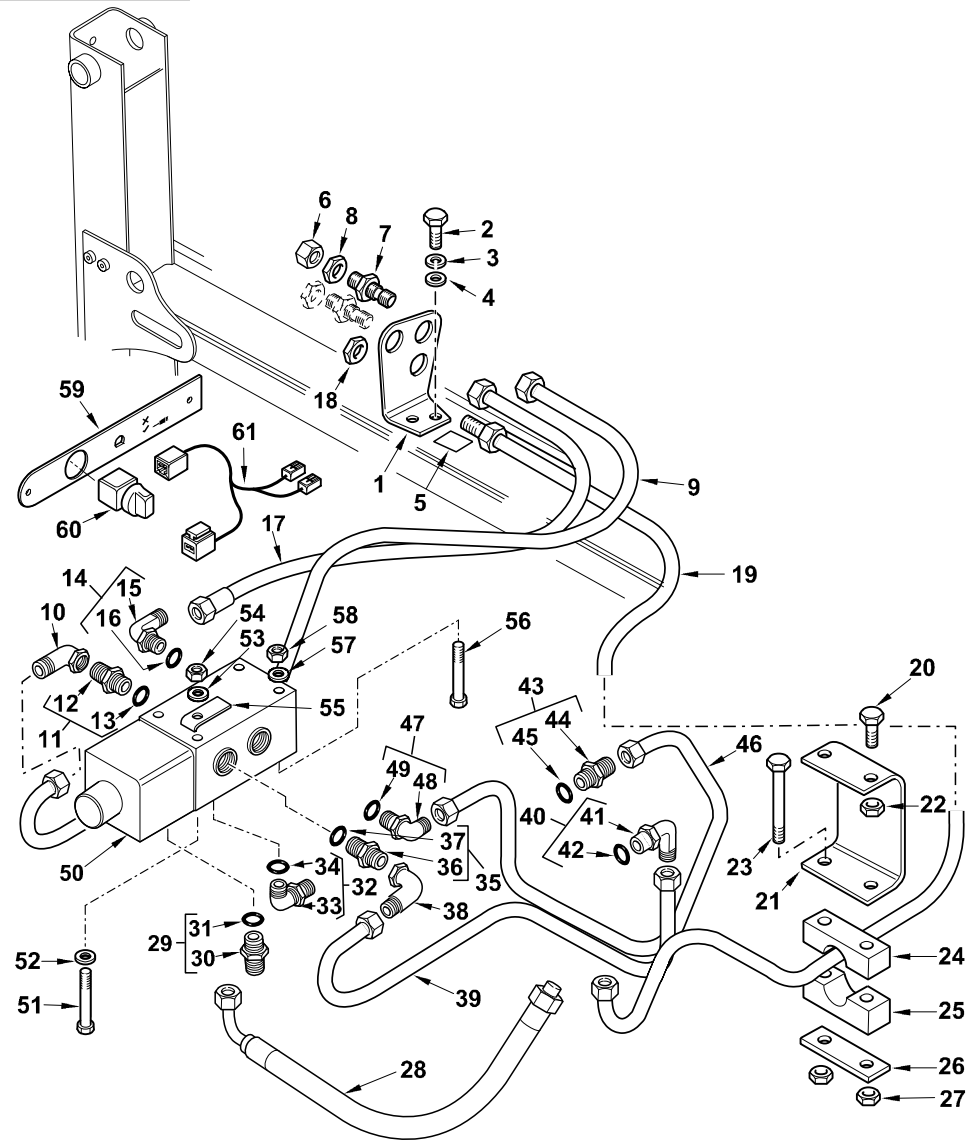


C-80001-01.1-A



Item	Part No.	Qty.	English	French	German	Spanish	Remarks
30	3009493X1	1	Bolt M10-30 Z5c	Boulon M10 X 30	Maschschraube M10	Perno	
31	339376X1	1	Washer M10-18-2 Zsp	Rondelle Frein	Federring	Arandela De Freno	
32	390734X1	1	Washer M10-21-2 Z	Rondelle - M10	Unterlegscheibe	Arandela	
33	6101898M91	2	Hose-Aux Hyd.	Flexible Ass.	Schlauch Kpl	Flexible, Conj.	
34	6102026M2GY02	1	Plate - Mounting	Plaque	Platte	Placa	
35	339891X1	3	Bolt M8-80 Z5s	Boulon M8 X 80	Maschschraube M8	Tornillo	
36	339374X1	3	Washer M8 -21-2 Z	Rondelle Frein - M8	Federring - M8	Arandela De Freno	
37	390972X1	3	Washer M8-17-1 Zwel	Rondelle M8	Scheibe - M8	Arandela	
38	3522055M3	2	Clamp Ret Hose	Collier De Serrage	Halteschelle	Brida De Fijación	
39	6102132M92	1	Plate - Clamp W/Assy	Platine	Klemmplatte	Placa, Conj.	

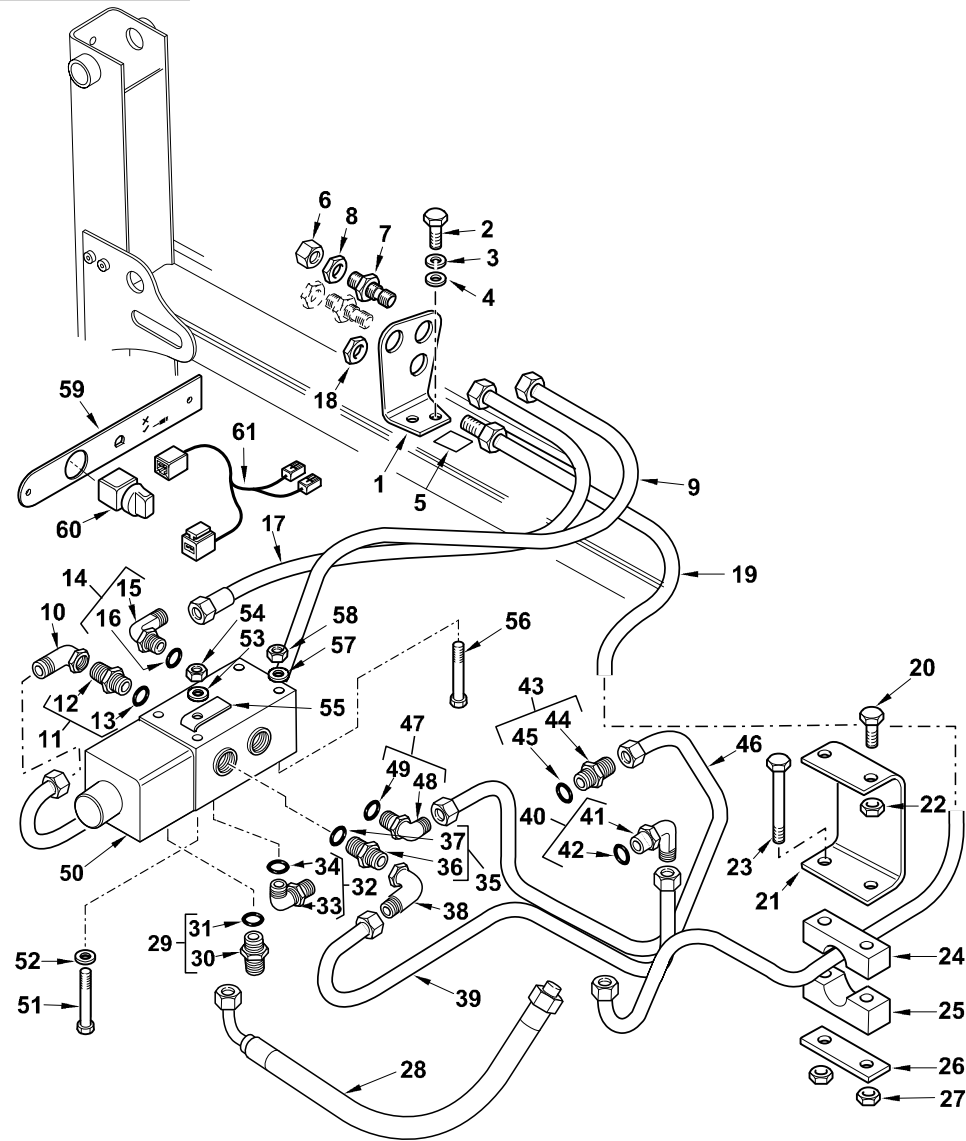
C-80001-02.1-C



Item	Part No.	Qty.	English	French	German	Spanish	Remarks
1	6109873M1	1	Bracket	Patte Fixation	Haltearm	Pata De Fijación	
2	3009491X1	2	Bolt M10 X 20	Boulon	Maschschraube M10	Tornillo	
3	339376X1	2	Washer M10-18-2 Zsp	Rondelle Frein	Federring	Arandela De Freno	
4	390734X1	2	Washer M10-21-2 Z	Rondelle - M10	Unterlegscheibe	Arandela	
5	6109756M1	1	Decal-Auxiliary Hyds	Adhésif	Aufkleber	Adhesivo	
6	355782X1	1	Cap	Capuchon	Kappe	Obturador	
7	356269X1	2	Connector, Straight - Hydraulic	Passe-Cloison	Doppelnippel	Pasatabiques	
8	355575X1	2	Nut 1 1/16-12 Bkhd Loc	Ecrou Blocage	Flachmutter	Tuerca De Retención	
9	6109746M92	1	Tube Assembly	Tuyauterie	Rohr Kpl	Conjunto De Tubería	
10	366462X1	1	Elbow Swivel	Coude À 90°	Winkelstück	Codo, 90°	
11	835057M91	1	Connector B1510m-12-12	Raccord	Schraubanschluss	Conexión, Conj.	
12	#CONNECTOR	1	Connector	Connector	Connector	Connector	Ref. 11
13	835025M1	1	Ring O	Joint Torique	O Ring	Junta De Tipo O	
14	358764X91	1	Elbow 90 Deg	Coude 90°	Knierstück, 90°	Codo, 90°	
15	#ELBOW	1	Elbow	Elbow	Elbow	Elbow	Ref. 14
16	835025M1	1	Ring O	Joint Torique	O Ring	Junta De Tipo O	
17	6107408M93	1	Tube-Aux Hyd Ham Feed	Tuyauterie	Rohr Kpl	Conjunto De Tubería	
18	355575X1	1	Nut 1 1/16-12 Bkhd Loc	Ecrou Blocage	Flachmutter	Tuerca De Retención	
19	6109846M91	1	Tube Assy - Aux Hyds Return Ss	Tuyauterie	Rohr Kpl	Conjunto De Tubería	
20	339666X1	2	Bolt M6-20 Z5f	Boulon M6 X 20	Maschschraube Metr M	Tornillo	
21	6109926M1	1	Bracket - Aux Hydraulics Return Tube	Patte Fixation	Haltearm	Pata De Fijación	
22	1441500X1	2	Nut M6 Z5 Nyloc	Ecrou	Flachmutter M6	Tuerca De Retención	
23	1440922X1	2	Bolt M6-60 (Hammer)	Goupille	Bolzen M6 X 60	Tornillo	
24	3520340M3	1	Clamp Tube	Collier De Serrage	Halteschelle	Argolla De Cierre	
25	6102788M1	1	Fixing Bracket	Patte Fixation	Halter	Brida De Fijación	
26	1462583M1	1	Plate-Clamp	Plaque	Platte	Placa	
27	1441500X1	2	Nut M6 Z5 Nyloc	Ecrou	Flachmutter M6	Tuerca De Retención	
28	6108513M91	1	Hose Assy	Flexible Ass.	Schlauch Kplt	Flexible, Conj.	
29	365715X91	1	Connector, Hydr.-Straight, 1 1/16 X 7/8	Borne	Doppelnippel	Conexión, Conj.	
30	#CONNECTOR	1	Connector	Connector	Connector	Connector	Ref. 29



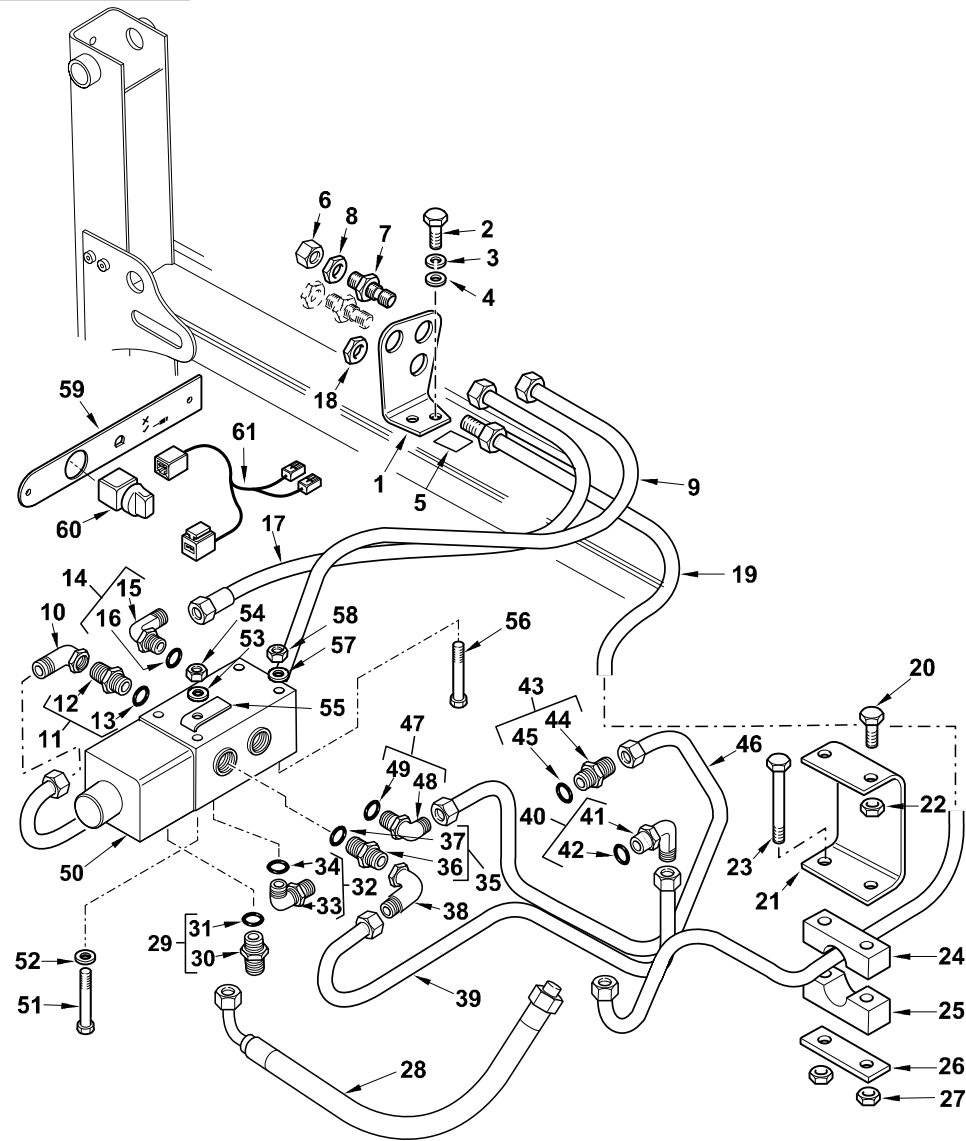
C-80001-02.1-C



Item	Part No.	Qty.	English	French	German	Spanish	Remarks
31	835025M1	1	Ring O	Joint Torique	O Ring	Junta De Tipo O	
32	368113X91	1	Connector (Cran'g Vlv)	Equerre	Winkelstuck	Codo, 90°	
33	#ELBOW	1	Elbow	Elbow	Elbow	Elbow	Ref. 32
34	835025M1	1	Ring O	Joint Torique	O Ring	Junta De Tipo O	
35	835057M91	1	Connector B1510m-12-12	Raccord	Schraubanschluss	Conexión, Conj.	
36	#CONNECTOR	1	Connector	Connector	Connector	Connector	Ref. 36
37	835025M1	1	Ring O	Joint Torique	O Ring	Junta De Tipo O	
38	366462X1	1	Elbow Swivel	Coude À 90°	Winkelstuck	Codo, 90°	
39	6109622M91	1	Tube Assy - Aux Hydraulics	Tuyauterie	Rohrleitung Kplt	Conjunto De Tubería	
40	358764X91	1	Elbow 90 Deg	Coude 90°	Kniestück, 90°	Codo, 90°	
41	#ELBOW	1	Elbow	Elbow	Elbow	Elbow	Ref. 40
42	835025M1	1	Ring O	Joint Torique	O Ring	Junta De Tipo O	
43	835057M91	1	Connector B1510m-12-12	Raccord	Schraubanschluss	Conexión, Conj.	
44	#CONNECTOR	1	Connector	Connector	Connector	Connector	Ref. 43
45	835025M1	1	Ring O	Joint Torique	O Ring	Junta De Tipo O	
46	6109620M91	1	Tube Assy - Aux Hydraulics	Tuyauterie	Rohr Kpl	Conjunto De Tubería	
47	358764X91	1	Elbow 90 Deg	Coude 90°	Kniestück, 90°	Codo, 90°	
48	#ELBOW	1	Elbow	Elbow	Elbow	Elbow	Ref. 47
49	835025M1	1	Ring O	Joint Torique	O Ring	Junta De Tipo O	
50	6111538M91	1	Valve - Changeover	Soupape	Ventil	Válvula De Prioridad	Ec06/091
50	6108292M91	1	Valve-Changeover	Soupape De Priorité	Vorrangventil	Válvula De Prioridad	Ec06/091
51	3019894X1	3	Bolt M6 X 100	Goupille	Bolzen M6 X 100	Tornillo	Ec06/091
51	3004715X1	2	Capscrew - M8 X 60 ISO 10.9 (Zinc)	Vis Bouchon M8 X 60	Hutschraube M8 X 60	Tornillo	Ec06/091
52	3019571X1	3	Washer, Large - M6, Hardened	Rondelle	Unterlegscheibe	Arandela	Ec06/091
53	390972X1	2	Washer M8-17-1 Zwl	Rondelle M8	Scheibe - M8	Arandela	Ec06/091
53	390971X1	3	Washer M6-12-1 Zwl	Rondelle - M6	Scheibe - M6	Arandela	Ec06/091
54	394367X1	2	Nut, Hex. - Nyloc, M8	Ecrou Blocage M8	Flachmutter - M8	Tuerca De Retención	Ec06/091
54	1441500X1	3	Nut M6 Z5 Nyloc	Ecrou	Flachmutter M6	Tuerca De Retención	Ec06/091
55	6108445M1	1	Plate-Mtg Lug	Patte De Fixation	Anschweislasche	Pata De Fijación	Ec06/091
56	3001758X1	1	Screw M6-50 Sz8 Hex	Goupille	Bolzen M6 X 50	Tornillo	Ec06/091



C-80001-02.1-C

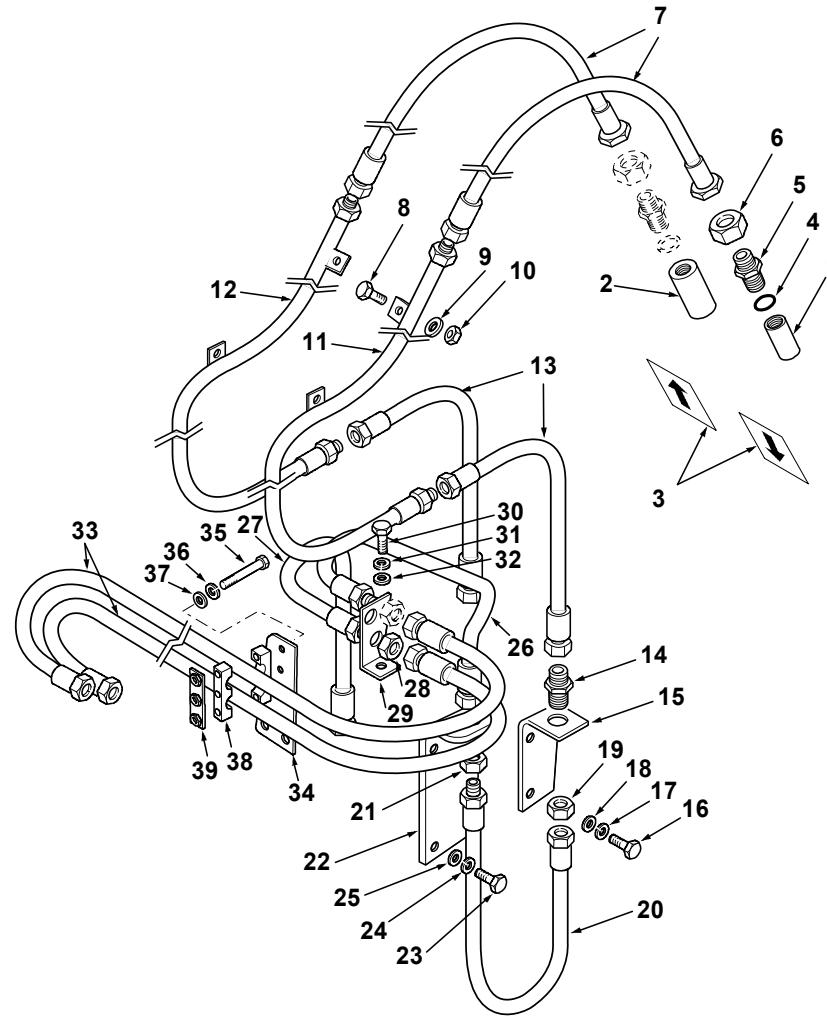


Item	Part No.	Qty.	English	French	German	Spanish	Remarks
57	390971X1	2	Washer M6-12-1 Zwl	Rondelle - M6	Scheibe - M6	Arandela	Ec06/091
58	1441500X1	1	Nut M6 Z5 Nyloc	Ecrou	Flachmutter M6	Tuerca De Retención	Ec06/091
59	6107176M2	1	Plate-Switch	Plaque	Platte	Placa	
60	6107165M91	1	Switch Assy Hammer	Commutateur Ass.	Schalter	Conmutador, Conj.	
61	6107467M92	1	Harness-Hammer ISO Valve	Faisceau Ass.	Kabelbaum	Haz, Conj.	

Item	Part No.	Qty.	English	French	German	Spanish	Remarks
1	3516796M91	1	Coupling Male Q/Rel	Coupleur Male	Kuppist Innen	Acoplador Rápido	
2	3516795M91	1	Coupling Female Q/Rel	Coupleur Femelle	Kuppist Aussen	Acoplamiento Rápido	
3	6106080M1	2	Decal-Arrow	Adhésif	Aufkleber	Adhesivo	
4	835025M1	2	Ring O	Joint Torique	O Ring	Junta De Tipo O	
5	356269X1	2	Connector, Straight - Hydraulic	Passe-Cloison	Doppelnippel	Pasatabiques	
6	355575X1	2	Nut 1 1/16-12 Bkhd Loc	Ecrou Blocage	Flachmutter	Tuerca De Retención	
7	6106190M91	2	Hose-Aux Dipper	Flexible Ass.	Schlauch Kpl	Flexible, Conj.	
8	339761X1	4	Bolt M8-25 Z5f	Goupille	Bolzen M8 X 25	Tornillo	
9	390972X1	4	Washer M8-17-1 Zwl	Rondelle M8	Scheibe - M8	Arandela	
10	394367X1	4	Nut, Hex. - Nyloc, M8	Ecrou Blocage M8	Flachmutter - M8	Tuerca De Retención	
11	6106186M92	1	Tube-Aux Boom 4.5 LH	Ensemble Tube	Rohr Kpl	Conjunto De Tubería	
12	6106188M92	1	Tube-Aux Boom 4.5 RH	Ensemble Tube	Rohr Kpl	Conjunto De Tubería	
13	6106185M91	2	Hose-Aux Hyd Boom Ss	Flexible Ass.	Schlauch Kpl	Flexible, Conj.	
14	356269X1	2	Connector, Straight - Hydraulic	Passe-Cloison	Doppelnippel	Pasatabiques	
15	6101965M1	1	Bracket-Rh	Patte Fixation	Haltearm	Pata De Fijación	
15	6101964M1	1	Bracket-Lh	Patte Fixation	Haltearm	Pata De Fijación	
16	339123X1	4	Bolt M8-20 Z5f	Boulon M8 X 20	Maschschraube M8	Perno	
17	339374X1	4	Washer M8 -21-2 Z	Rondelle Frein - M8	Federring - M8	Arandela De Freno	
18	390972X1	4	Washer M8-17-1 Zwl	Rondelle M8	Scheibe - M8	Arandela	
19	355575X1	2	Nut 1 1/16-12 Bkhd Loc	Ecrou Blocage	Flachmutter	Tuerca De Retención	
20	6101899M91	2	Hose Assy.	Flexible Ass.	Schlauch Kpl	Flexible, Conj.	
21	355575X1	2	Nut 1 1/16-12 Bkhd Loc	Ecrou Blocage	Flachmutter	Tuerca De Retención	
22	6101459M91	2	Bracket-Hammer-W/Assy	Patte Fixation	Halter	Pata De Fijación	
23	339123X1	4	Bolt M8-20 Z5f	Boulon M8 X 20	Maschschraube M8	Perno	
24	339374X1	4	Washer M8 -21-2 Z	Rondelle Frein - M8	Federring - M8	Arandela De Freno	
25	390972X1	4	Washer M8-17-1 Zwl	Rondelle M8	Scheibe - M8	Arandela	
26	6101461M92	1	Tube-Upper-Hammer	Tuyauterie	Rohr Kpl	Conjunto De Tubería	
27	6101463M92	1	Tube-Lower-Hammer	Tuyauterie	Rohr Kpl	Conjunto De Tubería	
28	355575X1	2	Nut 1 1/16-12 Bkhd Loc	Ecrou Blocage	Flachmutter	Tuerca De Retención	
29	6101466M3	1	Bracket-Hammer Support	Patte Fixation	Haltearm	Pata De Fijación	

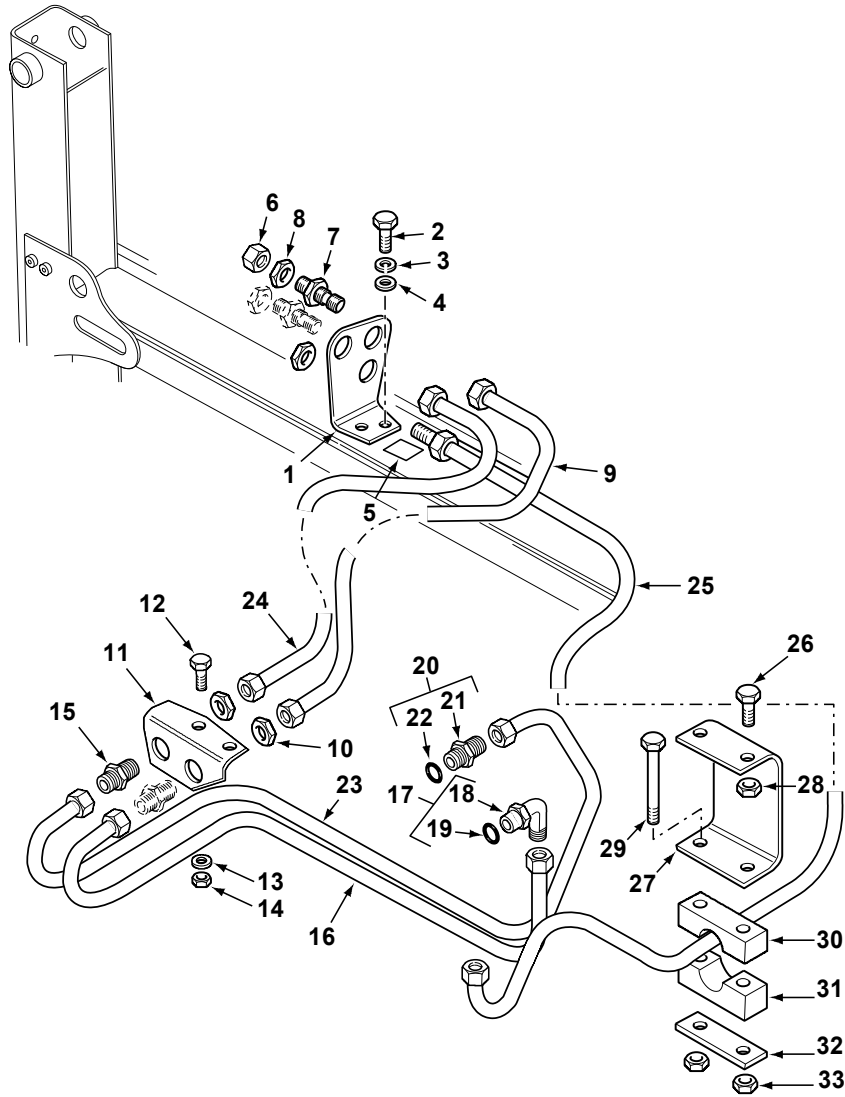


C-80004-01.1-A



Item	Part No.	Qty.	English	French	German	Spanish	Remarks
30	3009493X1	1	Bolt M10-30 Z5c	Boulon M10 X 30	Maschschraube M10	Perno	
31	339376X1	1	Washer M10-18-2 Zsp	Rondelle Frein	Federring	Arandela De Freno	
32	390734X1	1	Washer M10-21-2 Z	Rondelle - M10	Unterlegscheibe	Arandela	
33	6101898M91	2	Hose-Aux Hyd.	Flexible Ass.	Schlauch Kpl	Flexible, Conj.	
34	6102026M2GY02	1	Plate - Mounting	Plaque	Platte	Placa	
35	339891X1	3	Bolt M8-80 Z5s	Boulon M8 X 80	Maschschraube M8	Tornillo	
36	339374X1	3	Washer M8 -21-2 Z	Rondelle Frein - M8	Federring - M8	Arandela De Freno	
37	390972X1	3	Washer M8-17-1 Zwel	Rondelle M8	Scheibe - M8	Arandela	
38	3522055M3	2	Clamp Ret Hose	Collier De Serrage	Halteschelle	Brida De Fijación	
39	6102132M92	1	Plate - Clamp W/Assy	Platine	Klemmplatte	Placa, Conj.	

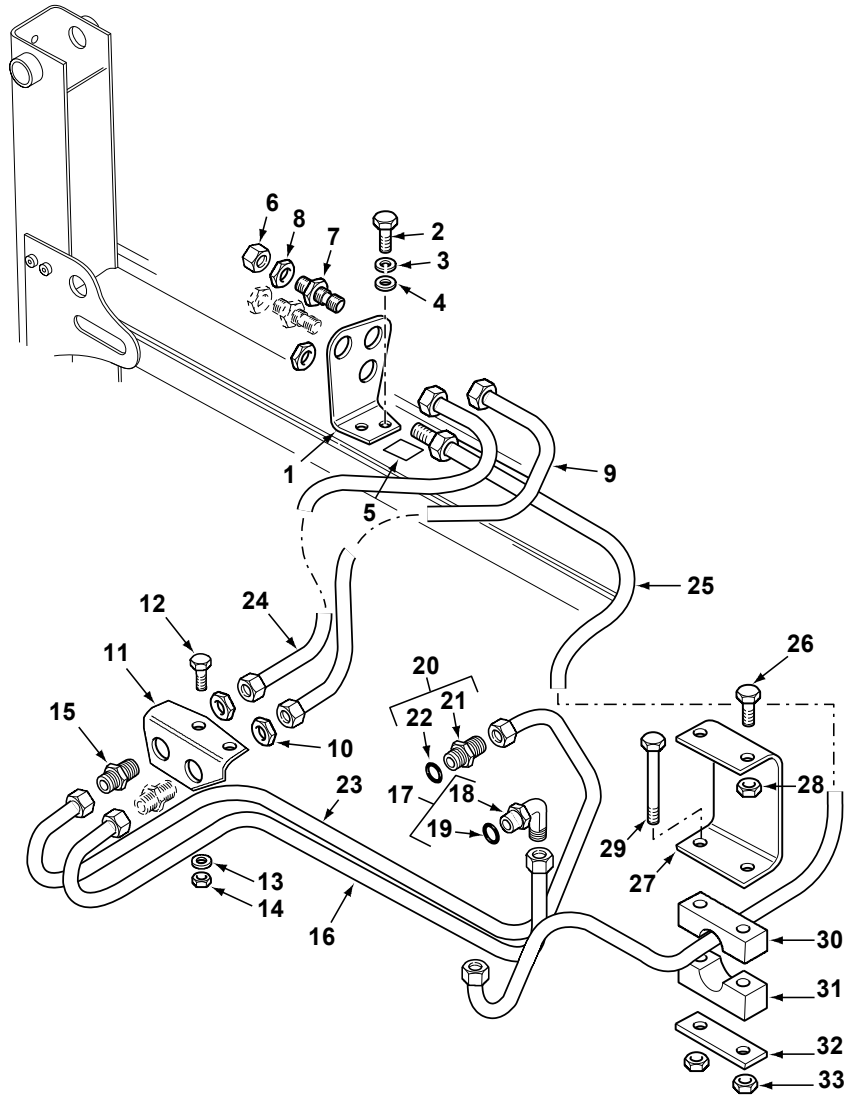
C-80004-02.1-A



Item	Part No.	Qty.	English	French	German	Spanish	Remarks
1	6109873M1	1	Bracket	Patte Fixation	Haltearm	Pata De Fijación	
2	3009491X1	2	Bolt M10 X 20	Boulon	Maschschraube M10	Tornillo	
3	339376X1	2	Washer M10-18-2 Zsp	Rondelle Frein	Federring	Arandela De Freno	
4	390734X1	2	Washer M10-21-2 Z	Rondelle - M10	Unterlegscheibe	Arandela	
5	6109756M1	1	Decal-Auxiliary Hyds	Adhésif	Aufkleber	Adhesivo	
6	355782X1	1	Cap	Capuchon	Kappe	Obturador	
7	356269X1	2	Connector, Straight - Hydraulic	Passe-Cloison	Doppelnippel	Pasatabiques	
8	355575X1	2	Nut 1 1/16-12 Bkhd Loc	Ecrou Blocage	Flachmutter	Tuerca De Retención	
9	6110029M92	1	Tube Assembly - Auxiliary Hydraulics	Tuyauterie	Rohr Kpl	Conjunto De Tubería	
10	355575X1	2	Nut 1 1/16-12 Bkhd Loc	Ecrou Blocage	Flachmutter	Tuerca De Retención	
11	6110076M1	1	Bracket - Aux Hydraulics Cm	Patte Fixation	Haltearm	Pata De Fijación	
12	339804X1	2	Bolt, Hex, - M6 X 25	Goupille	Maschschrb Metr - M6	Tornillo	
13	390971X1	2	Washer M6-12-1 Zwl	Rondelle - M6	Scheibe - M6	Arandela	
14	1441500X1	2	Nut M6 Z5 Nyloc	Ecrou	Flachmutter M6	Tuerca De Retención	
15	356269X1	2	Connector, Straight - Hydraulic	Passe-Cloison	Doppelnippel	Pasatabiques	
16	6110031M91	1	Tube- Aux Hyds - Std Dipper	Tuyauterie	Rohr Kpl	Conjunto De Tubería	
17	358764X91	1	Elbow 90 Deg	Coude 90°	Kniestück, 90°	Codo, 90°	
18	#ELBOW	1	Elbow	Elbow	Elbow	Elbow	Ref. 17
19	835025M1	1	Ring O	Joint Torique	O Ring	Junta De Tipo O	
20	835057M91	1	Connector B1510m-12-12	Raccord	Schraubanschluss	Conexión, Conj.	
21	#CONNECTOR	1	Connector	Connector	Connector	Connector	Ref. 20
22	835025M1	1	Ring O	Joint Torique	O Ring	Junta De Tipo O	
23	6110077M91	1	Tube Assy - Aux Hydraulics Cm	Tuyauterie	Rohr Kpl	Conjunto De Tubería	
24	6107408M93	1	Tube-Aux Hyd Ham Feed	Tuyauterie	Rohr Kpl	Conjunto De Tubería	
25	6109846M91	1	Tube Assy - Aux Hyds Return Ss	Tuyauterie	Rohr Kpl	Conjunto De Tubería	
26	339666X1	2	Bolt M6-20 Z5f	Boulon M6 X 20	Maschschraube Metr M	Tornillo	
27	6109926M1	1	Bracket - Aux Hydraulics Return Tube	Patte Fixation	Haltearm	Pata De Fijación	
28	1441500X1	2	Nut M6 Z5 Nyloc	Ecrou	Flachmutter M6	Tuerca De Retención	
29	1440922X1	2	Bolt M6-60 (Hammer)	Goupille	Bolzen M6 X 60	Tornillo	
30	3520340M3	1	Clamp Tube	Collier De Serrage	Halteschelle	Argolla De Cierre	



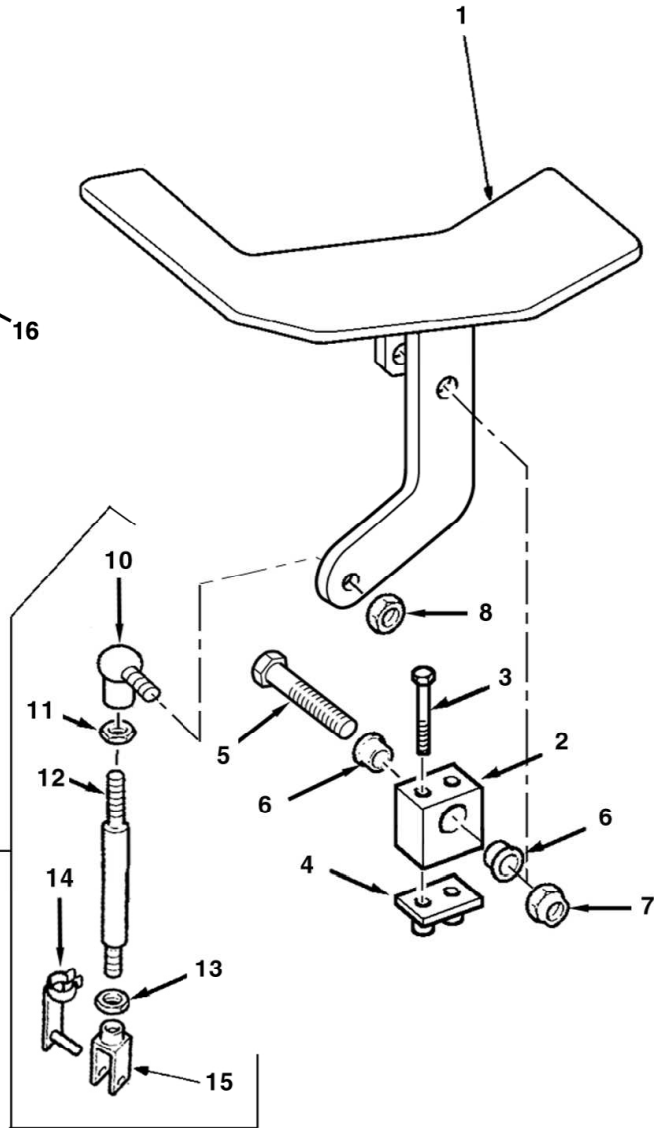
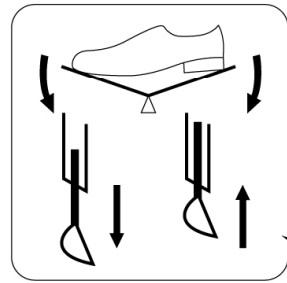
C-80004-02.1-A



Item	Part No.	Qty.	English	French	German	Spanish	Remarks
31	6102788M1	1	Fixing Bracket	Patte Fixation	Halter	Brida De Fijación	
32	1462583M1	1	Plate-Clamp	Plaque	Platte	Placa	
33	1441500X1	2	Nut M6 Z5 Nyloc	Ecrou	Flachmutter M6	Tuerca De Retención	



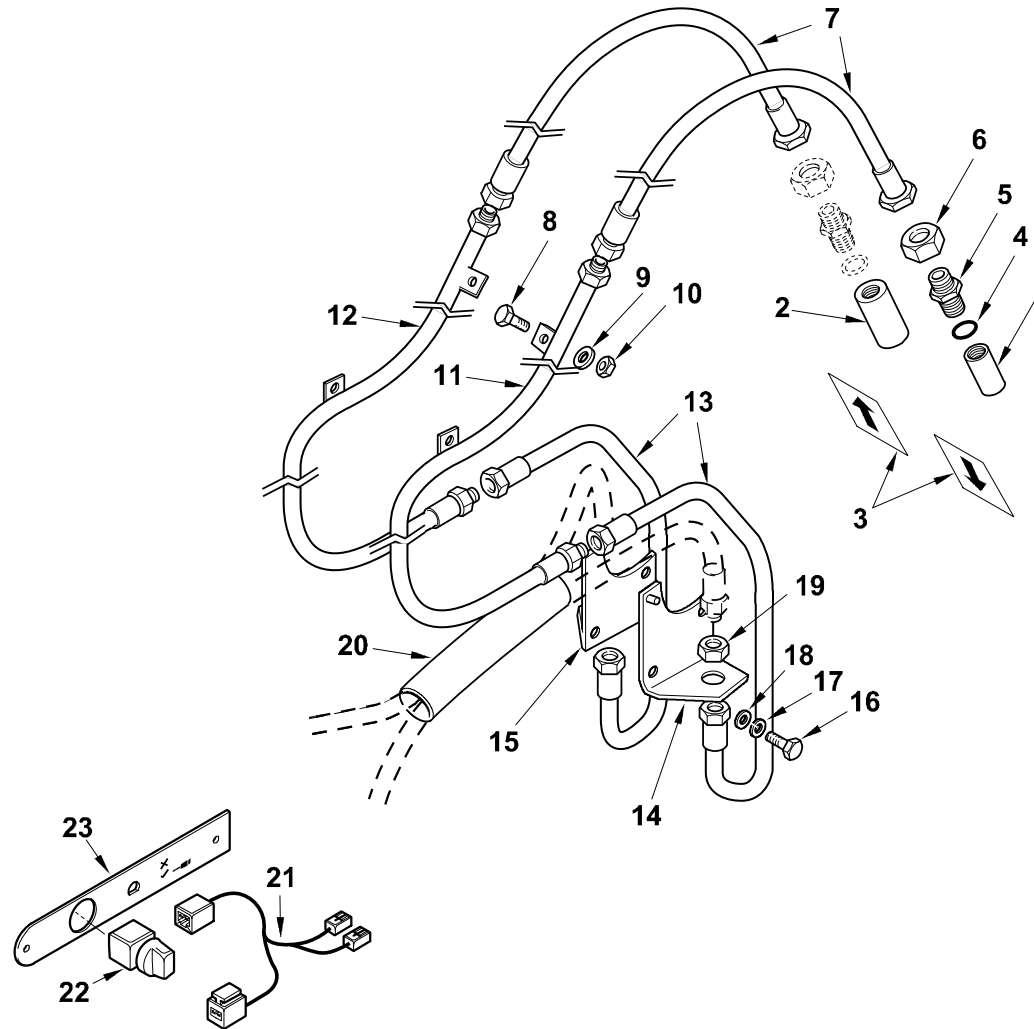
C-80004-03.1-B



Item	Part No.	Qty.	English	French	German	Spanish	Remarks
1	6106874M91	1	Pedal-Ext.Hoe	Ensemble De Pédale	Pedal	Pedal, Conj.	
2	6106734M1	1	Block-Nylon Pivot	Bloc Pivot	Drehzapfen	Pivote	
3	3001758X1	2	Screw M6-50 Sz8 Hex	Goupille	Bolzen M6 X 50	Tornillo	
4	3519538M1	1	Plate Base	Plaque De Base	Grundplatte	Placa De Base	
5	339679X1	1	Bolt M10x60	Vis	Schraube	Perno	
6	6106866M1	2	Bush-Ext. Hoe	Douille	Büchse	Anillo	
7	1440329X1	1	Nut, Hex. - Nyloc, M10	Ecrou Blocage	Flachmutter M10	Tuerca De Retención	
8	394367X1	1	Nut, Hex. - Nyloc, M8	Ecrou Blocage M8	Flachmutter - M8	Tuerca De Retención	
9	6106724M92	1	Rod-Exthoe	Tringlerie	Gestänge	Tirantes, Conj.	
10	3517518M1	1	Ball Joint M8	Rotule	Kugelgelenk	Rotula	
11	339169X1	1	Nut, Hex. - M8, Coarse	Ecrou Métrique	Mutter Metrisch	Tuerca	
12	#ROD	1	Rod	Rod	Rod	Rod	Ref.9
13	3519650M1	1	Nut, Hex - M8, L/H Thread	Ecrou	Mutter	Tuerca	
14	3520666M1	1	Pin W/ Spring Clip	Axe De Chape	Gabelstift	Eje De Brida	
15	3519590M1	1	Clevis LH Thread	Chape	Gabelverbindung	Brida	
16	6101865M2	1	Decal - Extendahoe	Adhésif	Aufkleber	Adhesivo	



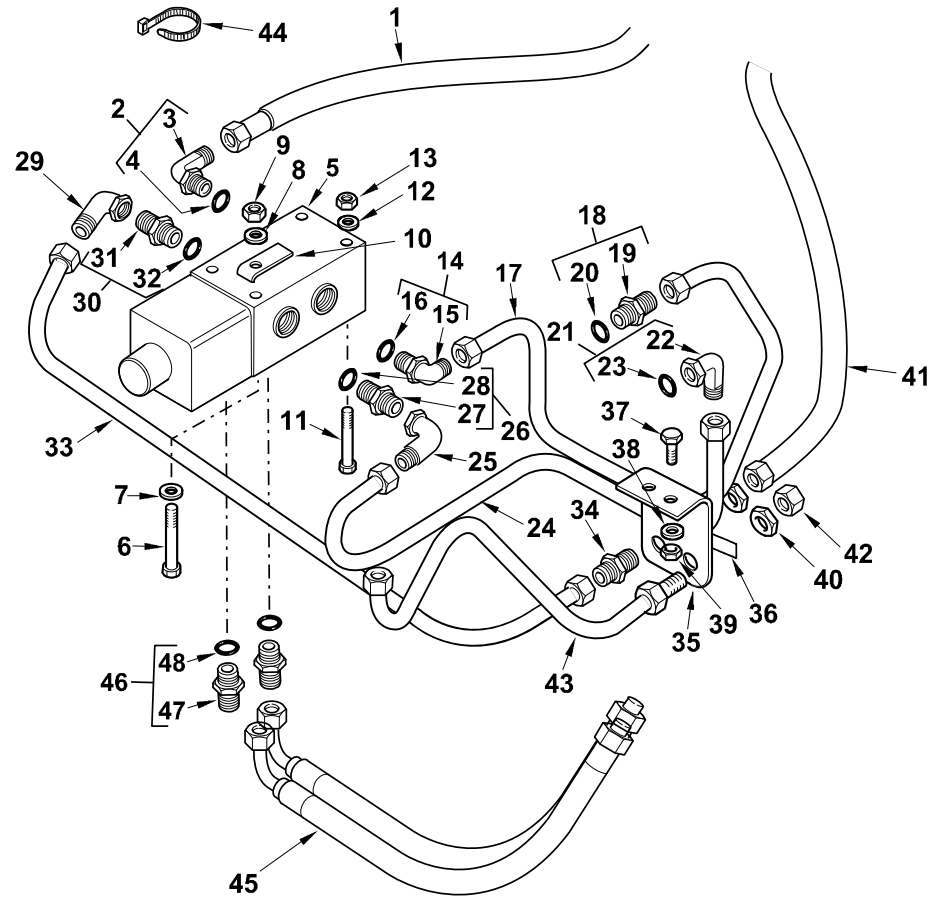
C-80005-01.1-B



Item	Part No.	Qty.	English	French	German	Spanish	Remarks
1	3516796M91	1	Coupling Male Q/Rel	Coupleur Male	Kuppist Innen	Acoplador Rápido	
2	3516795M91	1	Coupling Female Q/Rel	Coupleur Femelle	Kuppist Aussen	Acoplamiento Rápido	
3	6106080M1	2	Decal-Arrow	Adhésif	Aufkleber	Adhesivo	
4	835025M1	2	Ring O	Joint Torique	O Ring	Junta De Tipo O	
5	356269X1	2	Connector, Straight - Hydraulic	Passe-Cloison	Doppelnippel	Pasatabiques	
6	355575X1	2	Nut 1 1/16-12 Bkhd Loc	Ecrou Blocage	Flachmutter	Tuerca De Retención	
7	6106190M91	2	Hose-Aux Dipper	Flexible Ass.	Schlauch Kpl	Flexible, Conj.	
8	339761X1	4	Bolt M8-25 Z5f	Goupille	Bolzen M8 X 25	Tornillo	
9	390972X1	4	Washer M8-17-1 Zwl	Rondelle M8	Scheibe - M8	Arandela	
10	394367X1	4	Nut, Hex. - Nyloc, M8	Ecrou Blocage M8	Flachmutter - M8	Tuerca De Retención	
11	6106186M92	1	Tube-Aux Boom 4.5 LH	Ensemble Tube	Rohr Kpl	Conjunto De Tubería	
12	6106188M92	1	Tube-Aux Boom 4.5 RH	Ensemble Tube	Rohr Kpl	Conjunto De Tubería	
13	6106746M91	2	Hose Assy.	Flexible Ass.	Schlauch Kpl	Flexible, Conj.	
14	3517380M93	1	Bracket-Aux Hyd	Patte Fixation	Halter	Cuchara, Conj.	
15	3517379M2	1	Bracket - Hose RH (Plain) - Nla	Support Fixation	Haltearm	Soporte	
16	339123X1	4	Bolt M8-20 Z5f	Boulon M8 X 20	Maschschraube M8	Perno	
17	339374X1	4	Washer M8 -21-2 Z	Rondelle Frein - M8	Federring - M8	Arandela De Freno	
18	390972X1	4	Washer M8-17-1 Zwl	Rondelle M8	Scheibe - M8	Arandela	
19	355575X1	2	Nut 1 1/16-12 Bkhd Loc	Ecrou Blocage	Flachmutter	Tuerca De Retención	
20	6106082M1	1	Hose-Sleeve	Chemise	Büchse	Camisa	
21	6107467M92	1	Harness-Hammer ISO Valve	Faisceau Ass.	Kabelbaum	Haz, Conj.	
22	6107165M91	1	Switch Assy Hammer	Commutateur Ass.	Schalter	Conmutador, Conj.	
23	6107176M2	1	Plate-Switch	Plaque	Platte	Placa	



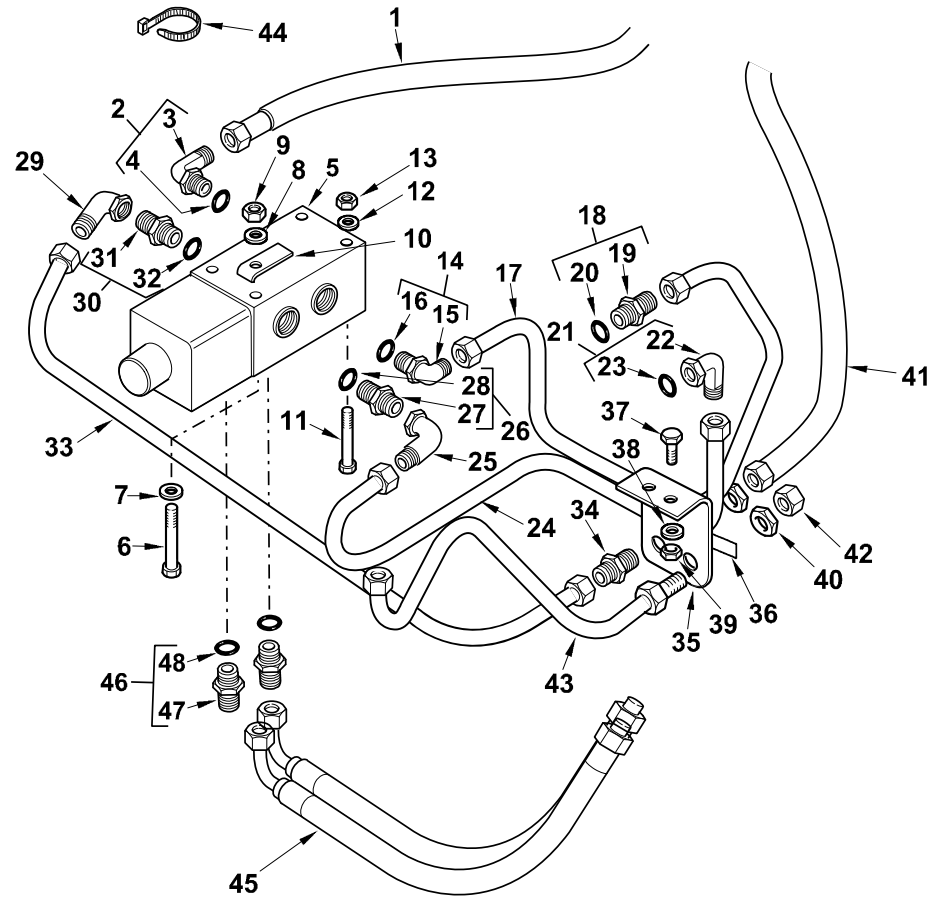
C-80005-02.1-B



Item	Part No.	Qty.	English	French	German	Spanish	Remarks
1	6107468M92	1	Hose Assy. - Aux. Hydrs., Centremount	Flexible Ass.	Schlauch Kpl	Flexible, Conj.	
2	358764X91	1	Elbow 90 Deg	Coude 90°	Kniestück, 90°	Codo, 90°	
3	#ELBOW	1	Elbow	Elbow	Elbow	Elbow	Ref. 2
4	835025M1	1	Ring O	Joint Torique	O Ring	Junta De Tipo O	
5	6108292M91	1	Valve-Changeover	Soupape De Priorité	Vorrangventil	Válvula De Prioridad	Ecn06/091
5	6111538M91	1	Valve - Changeover	Soupape	Ventil	Válvula De Prioridad	Ecn06/091
6	3019894X1	3	Bolt M6 X 100	Goupille	Bolzen M6 X 100	Tornillo	Ecn06/091
6	3004715X1	2	Capscrew - M8 X 60 ISO 10.9 (Zinc)	Vis Bouchon M8 X 60	Hutschraube M8 X 60	Tornillo	Ecn06/091
7	391038X1	3	Washer M6 - Large Zinc Hardened	Rondelle	Scheibe	Arandela	Ecn06/091
8	390972X1	2	Washer M8-17-1 Zwl	Rondelle M8	Scheibe - M8	Arandela	Ecn06/091
8	390971X1	3	Washer M6-12-1 Zwl	Rondelle - M6	Scheibe - M6	Arandela	Ecn06/091
9	394367X1	2	Nut, Hex. - Nyloc, M8	Ecrou Blocage M8	Flachmutter - M8	Tuerca De Retención	Ecn06/091
9	1441500X1	3	Nut M6 Z5 Nyloc	Ecrou	Flachmutter M6	Tuerca De Retención	Ecn06/091
10	6108445M1	1	Plate-Mtg Lug	Patte De Fixation	Anschweislasche	Pata De Fijación	Ecn06/091
11	3001758X1	1	Screw M6-50 Sz8 Hex	Goupille	Bolzen M6 X 50	Tornillo	Ecn06/091
12	390971X1	2	Washer M6-12-1 Zwl	Rondelle - M6	Scheibe - M6	Arandela	Ecn06/091
13	1441500X1	1	Nut M6 Z5 Nyloc	Ecrou	Flachmutter M6	Tuerca De Retención	Ecn06/091
14	358764X91	1	Elbow 90 Deg	Coude 90°	Kniestück, 90°	Codo, 90°	
15	#ELBOW	1	Elbow	Elbow	Elbow	Elbow	Ref. 11
16	835025M1	1	Ring O	Joint Torique	O Ring	Junta De Tipo O	
17	6109620M91	1	Tube Assy - Aux Hydraulics	Tuyauterie	Rohr Kpl	Conjunto De Tubería	
18	835057M91	1	Connector B1510m-12-12	Raccord	Schraubanschluss	Conexión, Conj.	
19	#CONNECTOR	1	Connector	Connector	Connector	Connector	Ref. 15
20	835025M1	1	Ring O	Joint Torique	O Ring	Junta De Tipo O	
21	358764X91	1	Elbow 90 Deg	Coude 90°	Kniestück, 90°	Codo, 90°	
22	#ELBOW	1	Elbow	Elbow	Elbow	Elbow	Ref. 18
23	835025M1	1	Ring O	Joint Torique	O Ring	Junta De Tipo O	
24	6109622M91	1	Tube Assy - Aux Hydraulics	Tuyauterie	Rohrleitung Kplt	Conjunto De Tubería	
25	366462X1	1	Elbow Swivel	Coude À 90°	Winkelstuck	Codo, 90°	
26	835057M91	1	Connector B1510m-12-12	Raccord	Schraubanschluss	Conexión, Conj.	



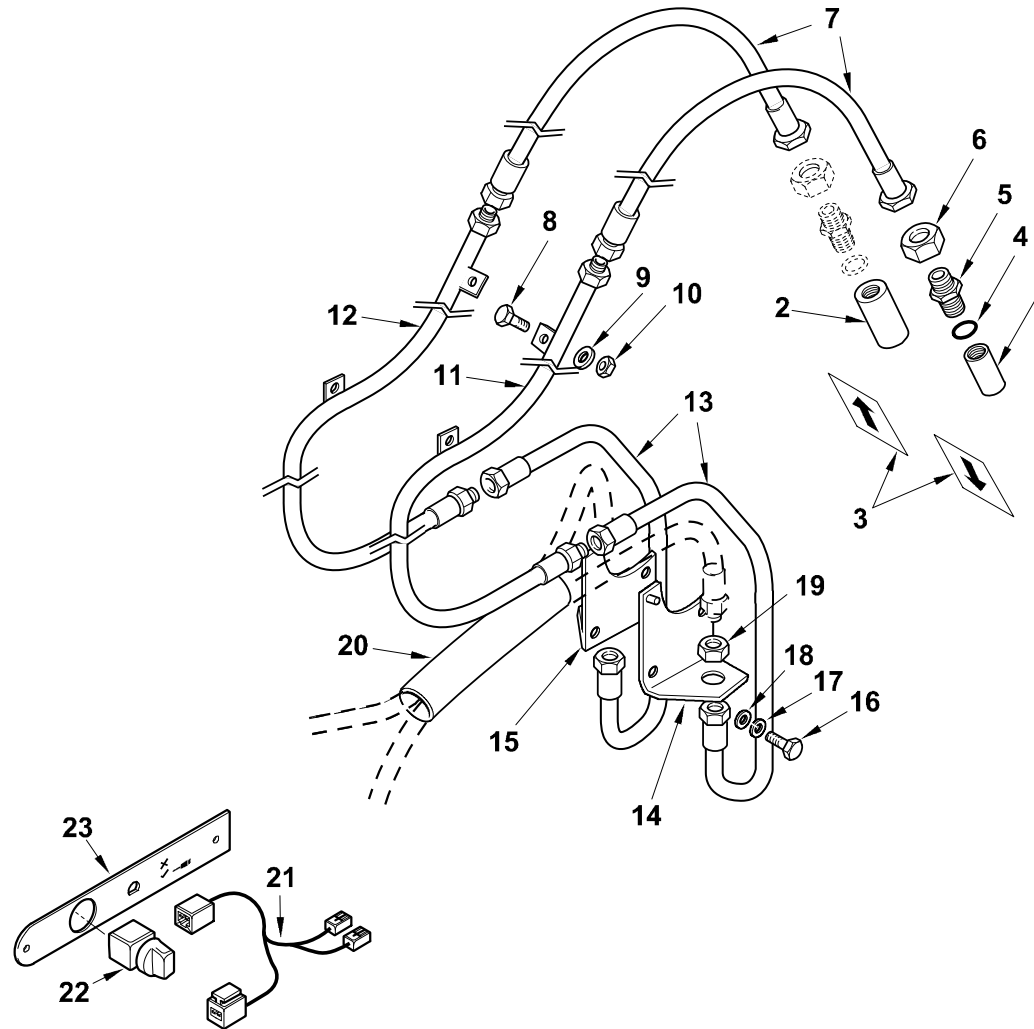
C-80005-02.1-B



Item	Part No.	Qty.	English	French	German	Spanish	Remarks
27	#CONNECTOR	1	Connector	Connector	Connector	Connector	Ref. 23
28	835025M1	1	Ring O	Joint Torique	O Ring	Junta De Tipo O	
29	366462X1	1	Elbow Swivel	Coude À 90°	Winkelstück	Codo, 90°	
30	835057M91	1	Connector B1510m-12-12	Raccord	Schraubanschluss	Conexión, Conj.	
31	#CONNECTOR	1	Connector	Connector	Connector	Connector	Ref. 27
32	835025M1	1	Ring O	Joint Torique	O Ring	Junta De Tipo O	
33	6109766M91	1	Tube Assy	Tuyauterie	Rohr Kpl	Conjunto De Tubería	
34	356269X1	1	Connector, Straight - Hydraulic	Passe-Cloison	Doppelnippel	Pasatabiques	
35	6109769M1	1	Bracket	Patte Fixation	Haltearm	Pata De Fijación	
36	6109770M1	1	Decal-Double Acting Hyds	Adhésif	Aufkleber	Adhesivo	
37	339804X1	2	Bolt, Hex, - M6 X 25	Goupille	Maschschrb Metr - M6	Tornillo	
38	390971X1	2	Washer M6-12-1 Zwl	Rondelle - M6	Scheibe - M6	Arandela	
39	1441500X1	2	Nut M6 Z5 Nyloc	Ecrou	Flachmutter M6	Tuerca De Retención	
40	355575X1	2	Nut 1 1/16-12 Bkhd Loc	Ecrou Blocage	Flachmutter	Tuerca De Retención	
41	6109768M91	1	Hose Assy	Flexible Ass.	Schlauch Kpl	Flexible, Conj.	
42	355782X1	1	Cap	Capuchon	Kappe	Obturador	
43	6110023M91	1	Tube Assy - Aux Hyds Return Cm	Tuyauterie	Rohr Kpl	Conjunto De Tubería	
44	1862425M1	6	Tie 385mm T50I	Attache Cable	Kabelbinder	Enlace De Cable	
45	6109552M91	2	Hose Assy.	Flexible Ass.	Schlauch Kpl	Flexible, Conj.	
46	365715X91	2	Connector, Hydr.-Straight, 1 1/16 X 7/8	Borne	Doppelnippel	Conexión, Conj.	
47	#CONNECTOR	1	Connector	Connector	Connector	Connector	Ref. 43
48	835025M1	1	Ring O	Joint Torique	O Ring	Junta De Tipo O	



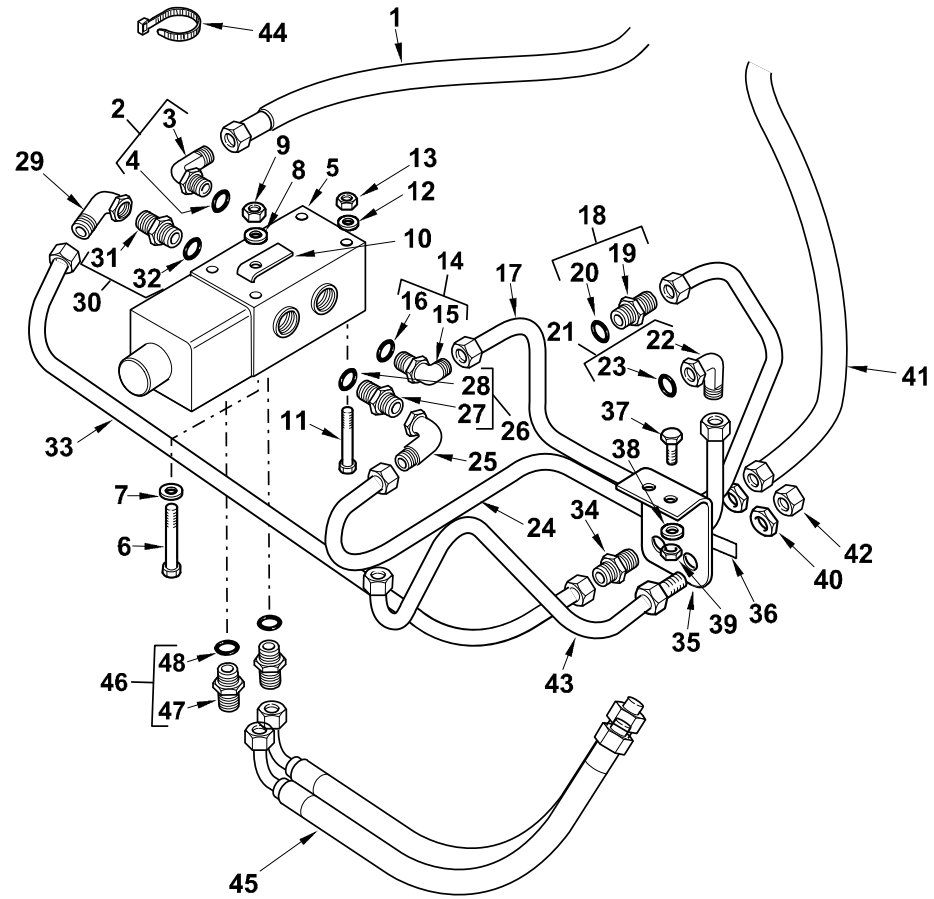
C-80006-01.1-B



Item	Part No.	Qty.	English	French	German	Spanish	Remarks
1	3516796M91	1	Coupling Male Q/Rel	Coupleur Male	Kuppist Innen	Acoplador Rápido	
2	3516795M91	1	Coupling Female Q/Rel	Coupleur Femelle	Kuppist Aussen	Acoplamiento Rápido	
3	6106080M1	2	Decal-Arrow	Adhésif	Aufkleber	Adhesivo	
4	835025M1	2	Ring O	Joint Torique	O Ring	Junta De Tipo O	
5	356269X1	2	Connector, Straight - Hydraulic	Passe-Cloison	Doppelnippel	Pasatabiques	
6	355575X1	2	Nut 1 1/16-12 Bkhd Loc	Ecrou Blocage	Flachmutter	Tuerca De Retención	
7	6106190M91	2	Hose-Aux Dipper	Flexible Ass.	Schlauch Kpl	Flexible, Conj.	
8	339761X1	4	Bolt M8-25 Z5f	Goupille	Bolzen M8 X 25	Tornillo	
9	390972X1	4	Washer M8-17-1 Zwl	Rondelle M8	Scheibe - M8	Arandela	
10	394367X1	4	Nut, Hex. - Nyloc, M8	Ecrou Blocage M8	Flachmutter - M8	Tuerca De Retención	
11	6106234M92	1	Tube Assy - Aux-Boom 4.9 LH	Ensemble Tube	Rohr Kpl	Conjunto De Tubería	
12	6106236M92	1	Tube Assy - Aux-Boom 4.9 RH	Ensemble Tube	Rohr Kpl	Conjunto De Tubería	
13	6106746M91	2	Hose Assy.	Flexible Ass.	Schlauch Kpl	Flexible, Conj.	
14	3517380M93	1	Bracket-Aux Hyd	Patte Fixation	Halter	Cuchara, Conj.	
15	3517379M2	1	Bracket - Hose RH (Plain) - Nla	Support Fixation	Haltearm	Soporte	
16	339123X1	4	Bolt M8-20 Z5f	Boulon M8 X 20	Maschschraube M8	Perno	
17	339374X1	4	Washer M8 -21-2 Z	Rondelle Frein - M8	Federring - M8	Arandela De Freno	
18	390972X1	4	Washer M8-17-1 Zwl	Rondelle M8	Scheibe - M8	Arandela	
19	355575X1	2	Nut 1 1/16-12 Bkhd Loc	Ecrou Blocage	Flachmutter	Tuerca De Retención	
20	6106082M1	1	Hose-Sleeve	Chemise	Büchse	Camisa	
21	6107467M92	1	Harness-Hammer ISO Valve	Faisceau Ass.	Kabelbaum	Haz, Conj.	
22	6107165M91	1	Switch Assy Hammer	Commutateur Ass.	Schalter	Conmutador, Conj.	
23	6107176M2	1	Plate-Switch	Plaque	Platte	Placa	



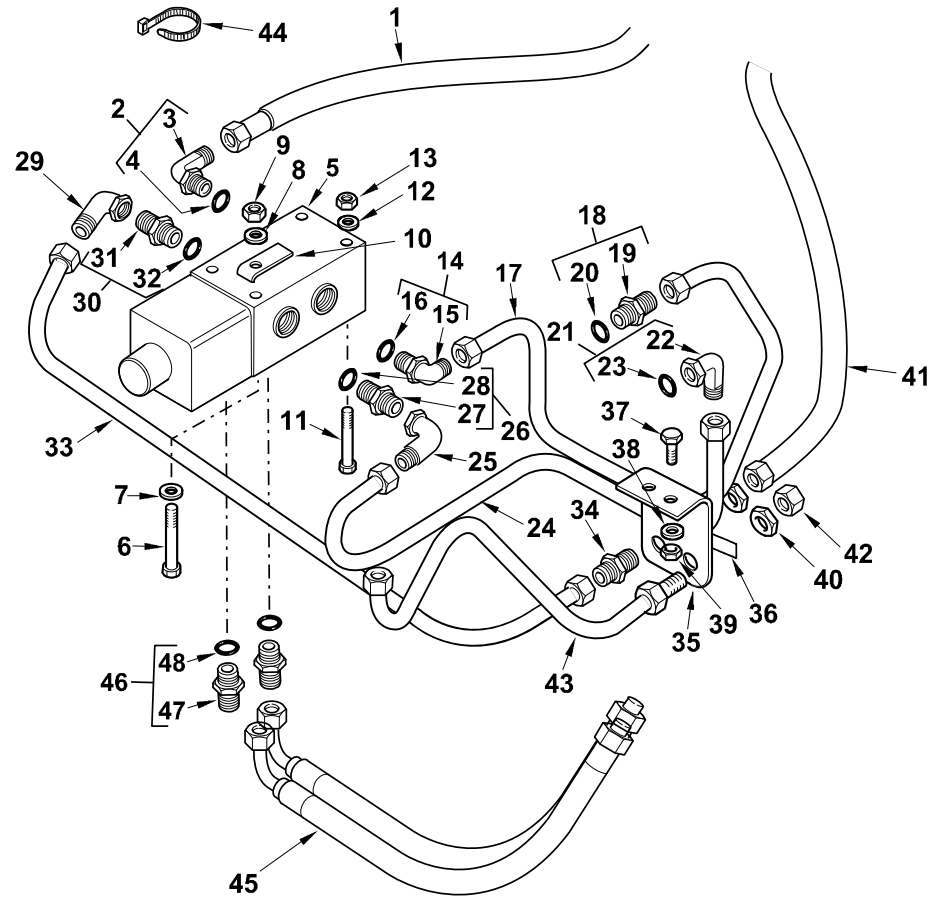
C-80006-02.1-B



Item	Part No.	Qty.	English	French	German	Spanish	Remarks
1	6107468M92	1	Hose Assy. - Aux. Hydrs., Centremount	Flexible Ass.	Schlauch Kpl	Flexible, Conj.	
2	358764X91	1	Elbow 90 Deg	Coude 90°	Kniestück, 90°	Codo, 90°	
3	#ELBOW	1	Elbow	Elbow	Elbow	Elbow	Ref. 2
4	835025M1	1	Ring O	Joint Torique	O Ring	Junta De Tipo O	
5	6111538M91	1	Valve - Changeover	Soupape	Ventil	Válvula De Prioridad	Ecn06/091
5	6108292M91	1	Valve-Changeover	Soupape De Priorité	Vorrangventil	Válvula De Prioridad	Ecn06/091
6	3019894X1	3	Bolt M6 X 100	Goupille	Bolzen M6 X 100	Tornillo	Ecn06/091
6	3004715X1	2	Capscrew - M8 X 60 ISO 10.9 (Zinc)	Vis Bouchon M8 X 60	Hutschraube M8 X 60	Tornillo	Ecn06/091
7	391038X1	3	Washer M6 - Large Zinc Hardened	Rondelle	Scheibe	Arandela	Ecn06/091
8	390972X1	2	Washer M8-17-1 Zwl	Rondelle M8	Scheibe - M8	Arandela	Ecn06/091
8	390971X1	3	Washer M6-12-1 Zwl	Rondelle - M6	Scheibe - M6	Arandela	Ecn06/091
9	394367X1	2	Nut, Hex. - Nyloc, M8	Ecrou Blocage M8	Flachmutter - M8	Tuerca De Retención	Ecn06/091
9	1441500X1	3	Nut M6 Z5 Nyloc	Ecrou	Flachmutter M6	Tuerca De Retención	Ecn06/091
10	6108445M1	1	Plate-Mtg Lug	Patte De Fixation	Anschweislasche	Pata De Fijación	Ecn06/091
11	3001758X1	1	Screw M6-50 Sz8 Hex	Goupille	Bolzen M6 X 50	Tornillo	Ecn06/091
12	390971X1	2	Washer M6-12-1 Zwl	Rondelle - M6	Scheibe - M6	Arandela	Ecn06/091
13	1441500X1	1	Nut M6 Z5 Nyloc	Ecrou	Flachmutter M6	Tuerca De Retención	Ecn06/091
14	358764X91	1	Elbow 90 Deg	Coude 90°	Kniestück, 90°	Codo, 90°	
15	#ELBOW	1	Elbow	Elbow	Elbow	Elbow	Ref. 11
16	835025M1	1	Ring O	Joint Torique	O Ring	Junta De Tipo O	
17	6109620M91	1	Tube Assy - Aux Hydraulics	Tuyauterie	Rohr Kpl	Conjunto De Tubería	
18	835057M91	1	Connector B1510m-12-12	Raccord	Schraubanschluss	Conexión, Conj.	
19	#CONNECTOR	1	Connector	Connector	Connector	Connector	Ref. 15
20	835025M1	1	Ring O	Joint Torique	O Ring	Junta De Tipo O	
21	358764X91	1	Elbow 90 Deg	Coude 90°	Kniestück, 90°	Codo, 90°	
22	#ELBOW	1	Elbow	Elbow	Elbow	Elbow	Ref. 18
23	835025M1	1	Ring O	Joint Torique	O Ring	Junta De Tipo O	
24	6109622M91	1	Tube Assy - Aux Hydraulics	Tuyauterie	Rohrleitung Kplt	Conjunto De Tubería	
25	366462X1	1	Elbow Swivel	Coude À 90°	Winkelstuck	Codo, 90°	
26	835057M91	1	Connector B1510m-12-12	Raccord	Schraubanschluss	Conexión, Conj.	



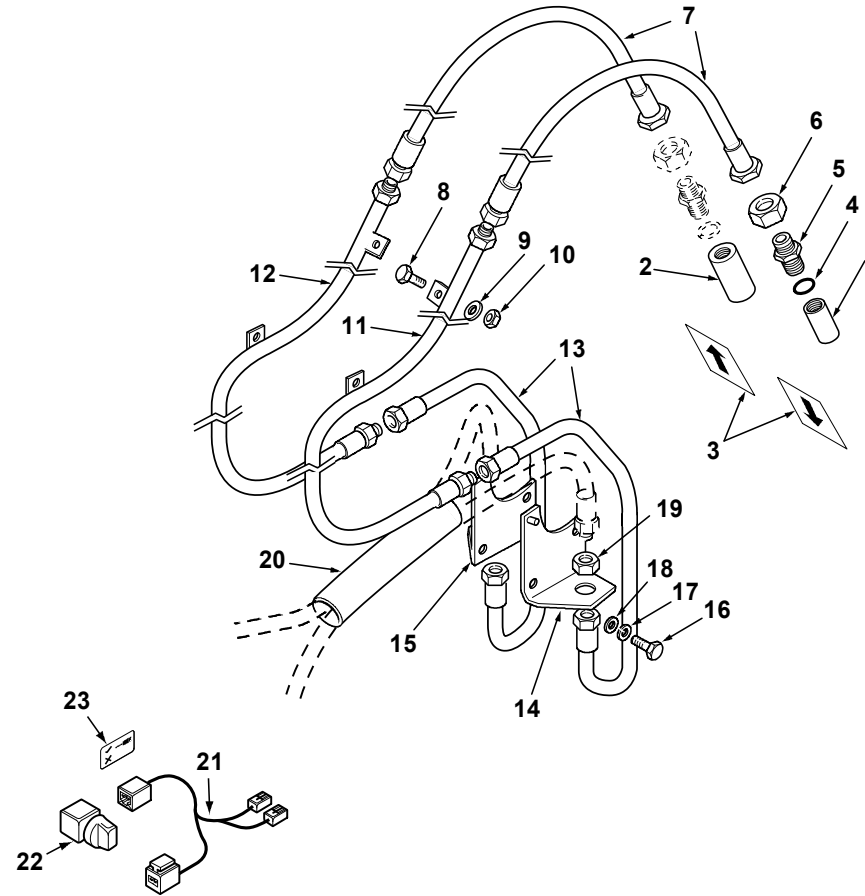
C-80006-02.1-B



Item	Part No.	Qty.	English	French	German	Spanish	Remarks
27	#CONNECTOR	1	Connector	Connector	Connector	Connector	Ref. 23
28	835025M1	1	Ring O	Joint Torique	O Ring	Junta De Tipo O	
29	366462X1	1	Elbow Swivel	Coude À 90°	Winkelstück	Codo, 90°	
30	835057M91	1	Connector B1510m-12-12	Raccord	Schraubanschluss	Conexión, Conj.	
31	#CONNECTOR	1	Connector	Connector	Connector	Connector	Ref. 27
32	835025M1	1	Ring O	Joint Torique	O Ring	Junta De Tipo O	
33	6109766M91	1	Tube Assy	Tuyauterie	Rohr Kpl	Conjunto De Tubería	
34	356269X1	1	Connector, Straight - Hydraulic	Passe-Cloison	Doppelnippel	Pasatabiques	
35	6109769M1	1	Bracket	Patte Fixation	Haltearm	Pata De Fijación	
36	6109770M1	1	Decal-Double Acting Hyds	Adhésif	Aufkleber	Adhesivo	
37	339804X1	2	Bolt, Hex, - M6 X 25	Goupille	Maschschrb Metr - M6	Tornillo	
38	390971X1	2	Washer M6-12-1 Zwl	Rondelle - M6	Scheibe - M6	Arandela	
39	1441500X1	2	Nut M6 Z5 Nyloc	Ecrou	Flachmutter M6	Tuerca De Retención	
40	355575X1	2	Nut 1 1/16-12 Bkhd Loc	Ecrou Blocage	Flachmutter	Tuerca De Retención	
41	6109768M91	1	Hose Assy	Flexible Ass.	Schlauch Kpl	Flexible, Conj.	
42	355782X1	1	Cap	Capuchon	Kappe	Obturador	
43	6110023M91	1	Tube Assy - Aux Hyds Return Cm	Tuyauterie	Rohr Kpl	Conjunto De Tubería	
44	1862425M1	6	Tie 385mm T50l	Attache Cable	Kabelbinder	Enlace De Cable	
45	6109552M91	2	Hose Assy.	Flexible Ass.	Schlauch Kpl	Flexible, Conj.	
46	365715X91	2	Connector, Hydr.-Straight, 1 1/16 X 7/8	Borne	Doppelnippel	Conexión, Conj.	
47	#CONNECTOR	1	Connector	Connector	Connector	Connector	Ref. 43
48	835025M1	1	Ring O	Joint Torique	O Ring	Junta De Tipo O	



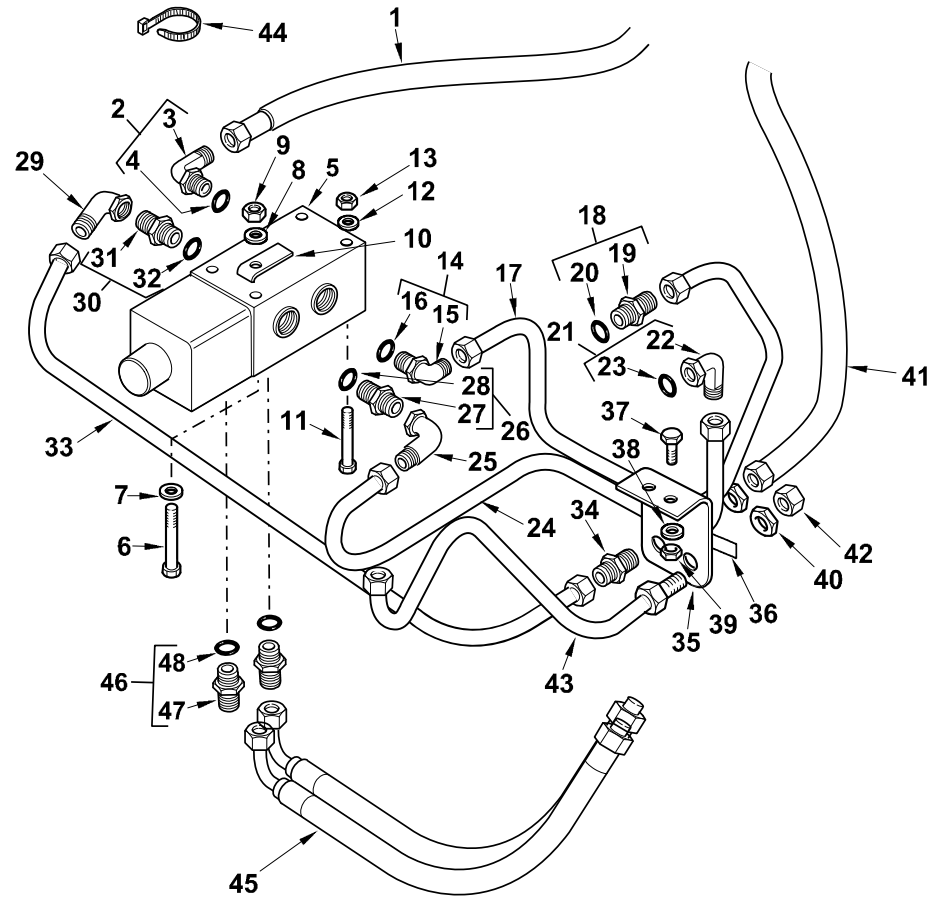
C-80007-01.1-A



Item	Part No.	Qty.	English	French	German	Spanish	Remarks
1	3516796M91	1	Coupling Male Q/Rel	Coupleur Male	Kuppist Innen	Acoplador Rápido	
2	3516795M91	1	Coupling Female Q/Rel	Coupleur Femelle	Kuppist Aussen	Acoplamiento Rápido	
3	6106080M1	2	Decal-Arrow	Adhésif	Aufkleber	Adhesivo	
4	835025M1	2	Ring O	Joint Torique	O Ring	Junta De Tipo O	
5	356269X1	2	Connector, Straight - Hydraulic	Passe-Cloison	Doppelnippel	Pasatabiques	
6	355575X1	2	Nut 1 1/16-12 Bkhd Loc	Ecrou Blocage	Flachmutter	Tuerca De Retención	
7	6106190M91	2	Hose-Aux Dipper	Flexible Ass.	Schlauch Kpl	Flexible, Conj.	
8	339761X1	4	Bolt M8-25 Z5f	Goupille	Bolzen M8 X 25	Tornillo	
9	390972X1	4	Washer M8-17-1 Zwel	Rondelle M8	Scheibe - M8	Arandela	
10	394367X1	4	Nut, Hex. - Nyloc, M8	Ecrou Blocage M8	Flachmutter - M8	Tuerca De Retención	
11	6106186M92	1	Tube-Aux Boom 4.5 LH	Ensemble Tube	Rohr Kpl	Conjunto De Tubería	
12	6106188M92	1	Tube-Aux Boom 4.5 RH	Ensemble Tube	Rohr Kpl	Conjunto De Tubería	
13	6106746M91	2	Hose Assy.	Flexible Ass.	Schlauch Kpl	Flexible, Conj.	
14	3517380M93	1	Bracket-Aux Hyd	Patte Fixation	Halter	Cuchara, Conj.	
15	3517379M2	1	Bracket - Hose RH (Plain) - Nla	Support Fixation	Haltearm	Soporte	
16	339123X1	4	Bolt M8-20 Z5f	Boulon M8 X 20	Maschschraube M8	Perno	
17	339374X1	4	Washer M8 -21-2 Z	Rondelle Frein - M8	Federring - M8	Arandela De Freno	
18	390972X1	4	Washer M8-17-1 Zwel	Rondelle M8	Scheibe - M8	Arandela	
19	355575X1	2	Nut 1 1/16-12 Bkhd Loc	Ecrou Blocage	Flachmutter	Tuerca De Retención	
20	6106082M1	1	Hose-Sleeve	Chemise	Büchse	Camisa	
21	6107467M92	1	Harness-Hammer ISO Valve	Faisceau Ass.	Kabelbaum	Haz, Conj.	
22	6107165M91	1	Switch Assy Hammer	Commutateur Ass.	Schalter	Conmutador, Conj.	
23	6109932M1	1	Decal - Aux Hydraulics	Adhésif	Aufkleber	Adhesivo	



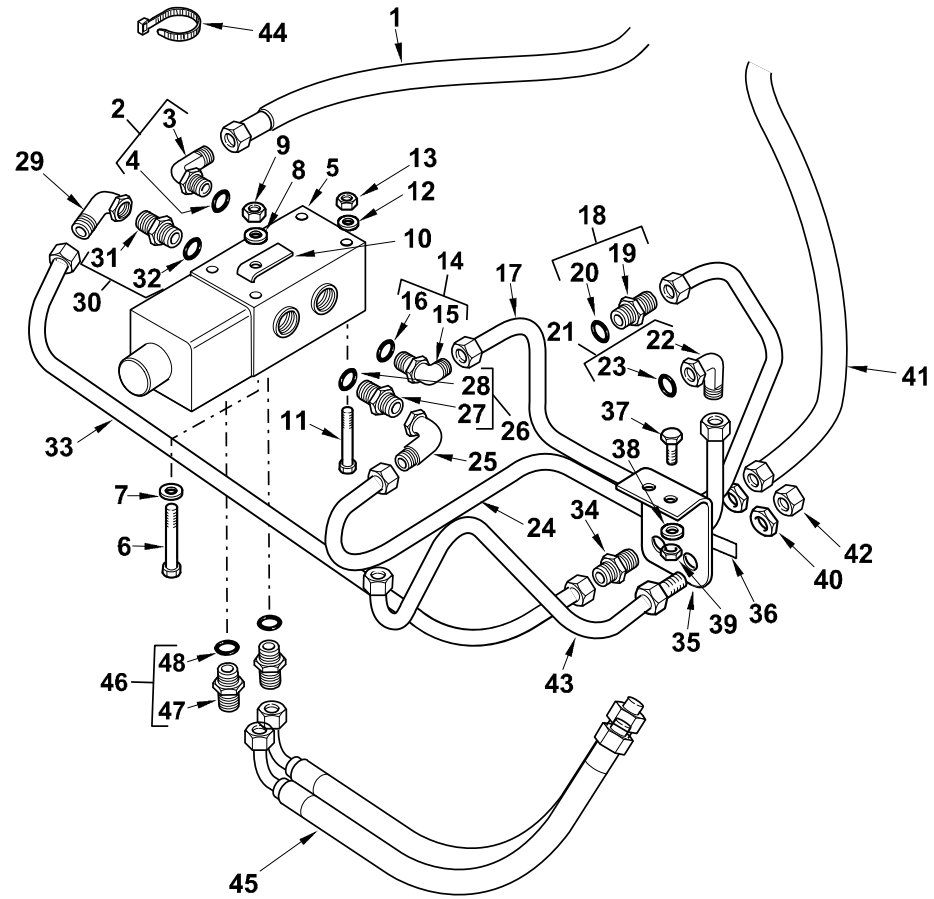
C-80007-02.1-B



Item	Part No.	Qty.	English	French	German	Spanish	Remarks
1	6107468M92	1	Hose Assy. - Aux. Hydrs., Centremount	Flexible Ass.	Schlauch Kpl	Flexible, Conj.	
2	358764X91	1	Elbow 90 Deg	Coude 90°	Kniestück, 90°	Codo, 90°	
3	#ELBOW	1	Elbow	Elbow	Elbow	Elbow	Ref. 2
4	835025M1	1	Ring O	Joint Torique	O Ring	Junta De Tipo O	
5	6111538M91	1	Valve - Changeover	Soupape	Ventil	Válvula De Prioridad	Ecn06/091
5	6108292M91	1	Valve-Changeover	Soupape De Priorité	Vorrangventil	Válvula De Prioridad	Ecn06/091
6	3019894X1	3	Bolt M6 X 100	Goupille	Bolzen M6 X 100	Tornillo	Ecn06/091
6	3004715X1	2	Capscrew - M8 X 60 ISO 10.9 (Zinc)	Vis Bouchon M8 X 60	Hutschraube M8 X 60	Tornillo	Ecn06/091
7	391038X1	3	Washer M6 - Large Zinc Hardened	Rondelle	Scheibe	Arandela	Ecn06/091
8	390972X1	2	Washer M8-17-1 Zwl	Rondelle M8	Scheibe - M8	Arandela	Ecn06/091
8	390971X1	3	Washer M6-12-1 Zwl	Rondelle - M6	Scheibe - M6	Arandela	Ecn06/091
9	394367X1	2	Nut, Hex. - Nyloc, M8	Ecrou Blocage M8	Flachmutter - M8	Tuerca De Retención	Ecn06/091
9	1441500X1	3	Nut M6 Z5 Nyloc	Ecrou	Flachmutter M6	Tuerca De Retención	Ecn06/091
10	6108445M1	1	Plate-Mtg Lug	Patte De Fixation	Anschweislasche	Pata De Fijación	06/091
11	3001758X1	1	Screw M6-50 Sz8 Hex	Goupille	Bolzen M6 X 50	Tornillo	Ecn06/091
12	390971X1	2	Washer M6-12-1 Zwl	Rondelle - M6	Scheibe - M6	Arandela	Ecn06/091
13	1441500X1	1	Nut M6 Z5 Nyloc	Ecrou	Flachmutter M6	Tuerca De Retención	Ecn06/091
14	358764X91	1	Elbow 90 Deg	Coude 90°	Kniestück, 90°	Codo, 90°	
15	#ELBOW	1	Elbow	Elbow	Elbow	Elbow	Ref. 11
16	835025M1	1	Ring O	Joint Torique	O Ring	Junta De Tipo O	
17	6109620M91	1	Tube Assy - Aux Hydraulics	Tuyauterie	Rohr Kpl	Conjunto De Tubería	
18	835057M91	1	Connector B1510m-12-12	Raccord	Schraubanschluss	Conexión, Conj.	
19	#CONNECTOR	1	Connector	Connector	Connector	Connector	Ref. 15
20	835025M1	1	Ring O	Joint Torique	O Ring	Junta De Tipo O	
21	358764X91	1	Elbow 90 Deg	Coude 90°	Kniestück, 90°	Codo, 90°	
22	#ELBOW	1	Elbow	Elbow	Elbow	Elbow	Ref. 18
23	835025M1	1	Ring O	Joint Torique	O Ring	Junta De Tipo O	
24	6109622M91	1	Tube Assy - Aux Hydraulics	Tuyauterie	Rohrleitung Kplt	Conjunto De Tubería	
25	366462X1	1	Elbow Swivel	Coude À 90°	Winkelstuck	Codo, 90°	
26	835057M91	1	Connector B1510m-12-12	Raccord	Schraubanschluss	Conexión, Conj.	



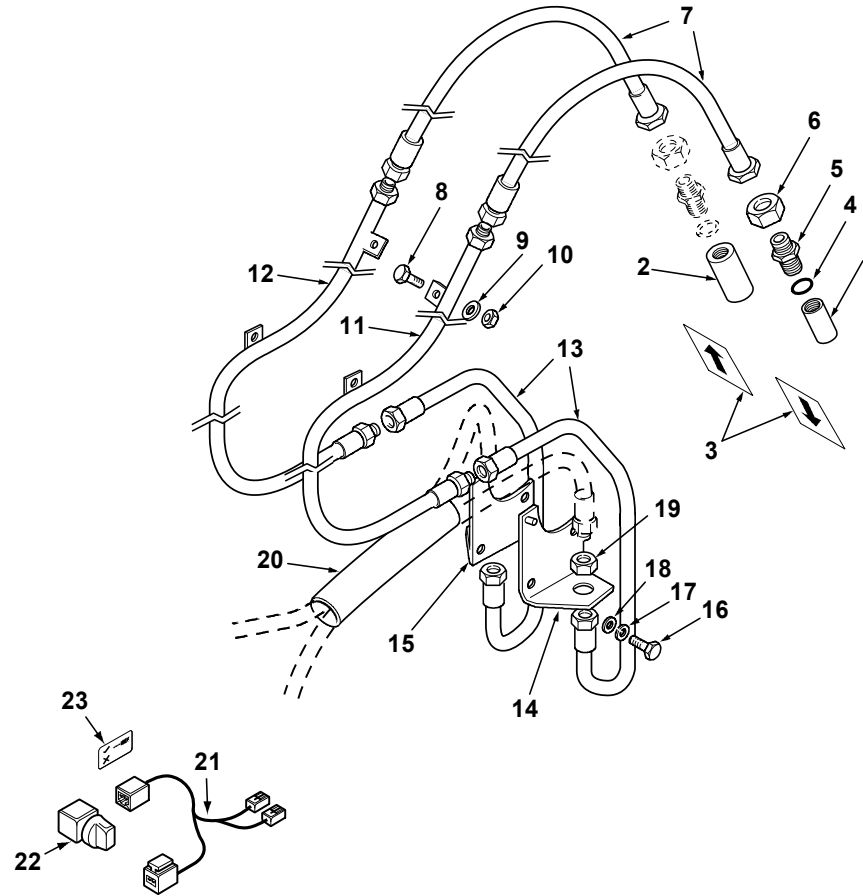
C-80007-02.1-B



Item	Part No.	Qty.	English	French	German	Spanish	Remarks
27	#CONNECTOR	1	Connector	Connector	Connector	Connector	Ref. 23
28	835025M1	1	Ring O	Joint Torique	O Ring	Junta De Tipo O	
29	366462X1	1	Elbow Swivel	Coude À 90°	Winkelstück	Codo, 90°	
30	835057M91	1	Connector B1510m-12-12	Raccord	Schraubanschluss	Conexión, Conj.	
31	#CONNECTOR	1	Connector	Connector	Connector	Connector	Ref. 27
32	835025M1	1	Ring O	Joint Torique	O Ring	Junta De Tipo O	
33	6109766M91	1	Tube Assy	Tuyauterie	Rohr Kpl	Conjunto De Tubería	
34	356269X1	1	Connector, Straight - Hydraulic	Passe-Cloison	Doppelnippel	Pasatabiques	
35	6109769M1	1	Bracket	Patte Fixation	Haltearm	Pata De Fijación	
36	6109770M1	1	Decal-Double Acting Hyds	Adhésif	Aufkleber	Adhesivo	
37	339804X1	2	Bolt, Hex, - M6 X 25	Goupille	Maschschrb Metr - M6	Tornillo	
38	390971X1	2	Washer M6-12-1 Zwl	Rondelle - M6	Scheibe - M6	Arandela	
39	1441500X1	2	Nut M6 Z5 Nyloc	Ecrou	Flachmutter M6	Tuerca De Retención	
40	355575X1	2	Nut 1 1/16-12 Bkhd Loc	Ecrou Blocage	Flachmutter	Tuerca De Retención	
41	6109768M91	1	Hose Assy	Flexible Ass.	Schlauch Kpl	Flexible, Conj.	
42	355782X1	1	Cap	Capuchon	Kappe	Obturador	
43	6110023M91	1	Tube Assy - Aux Hyds Return Cm	Tuyauterie	Rohr Kpl	Conjunto De Tubería	
44	1862425M1	6	Tie 385mm T50I	Attache Cable	Kabelbinder	Enlace De Cable	
45	6109552M91	2	Hose Assy.	Flexible Ass.	Schlauch Kpl	Flexible, Conj.	
46	365715X91	2	Connector, Hydr.-Straight, 1 1/16 X 7/8	Borne	Doppelnippel	Conexión, Conj.	
47	#CONNECTOR	1	Connector	Connector	Connector	Connector	Ref. 43
48	835025M1	1	Ring O	Joint Torique	O Ring	Junta De Tipo O	



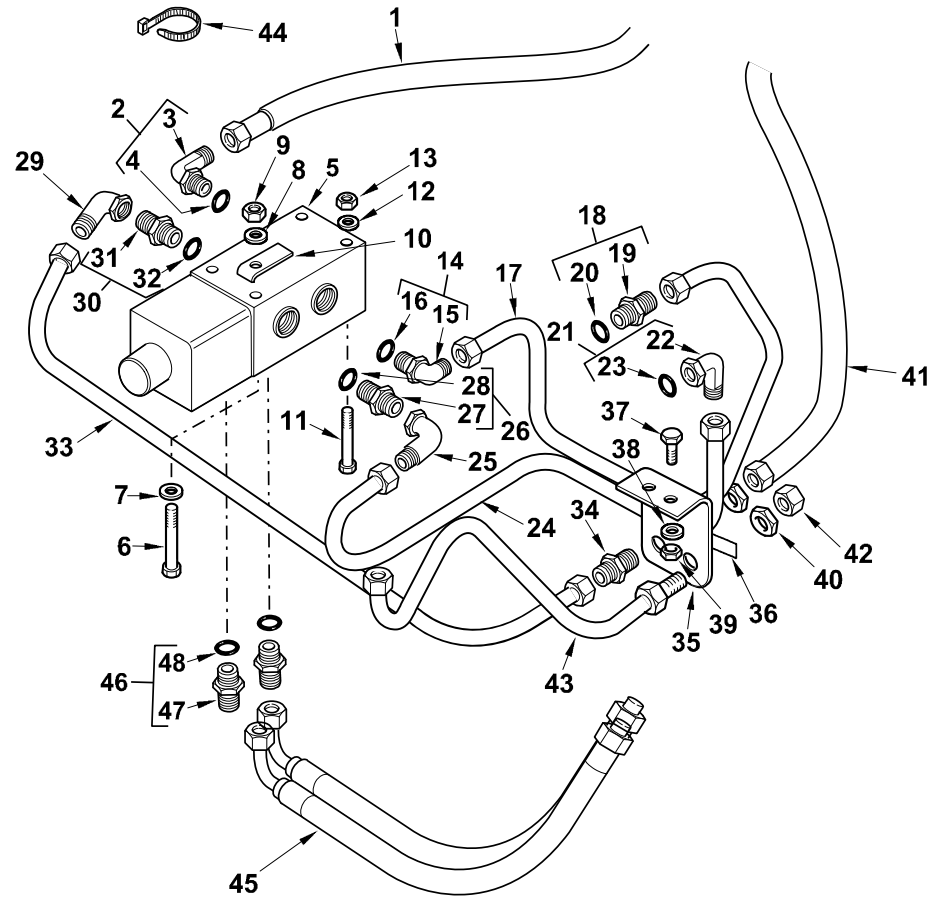
C-80008-01.1-A



Item	Part No.	Qty.	English	French	German	Spanish	Remarks
1	3516796M91	1	Coupling Male Q/Rel	Coupleur Male	Kuppist Innen	Acoplador Rápido	
2	3516795M91	1	Coupling Female Q/Rel	Coupleur Femelle	Kuppist Aussen	Acoplamiento Rápido	
3	6106080M1	2	Decal-Arrow	Adhésif	Aufkleber	Adhesivo	
4	835025M1	2	Ring O	Joint Torique	O Ring	Junta De Tipo O	
5	356269X1	2	Connector, Straight - Hydraulic	Passe-Cloison	Doppelnippel	Pasatabiques	
6	355575X1	2	Nut 1 1/16-12 Bkhd Loc	Ecrou Blocage	Flachmutter	Tuerca De Retención	
7	6106190M91	2	Hose-Aux Dipper	Flexible Ass.	Schlauch Kpl	Flexible, Conj.	
8	339761X1	4	Bolt M8-25 Z5f	Goupille	Bolzen M8 X 25	Tornillo	
9	390972X1	4	Washer M8-17-1 Zwel	Rondelle M8	Scheibe - M8	Arandela	
10	394367X1	4	Nut, Hex. - Nyloc, M8	Ecrou Blocage M8	Flachmutter - M8	Tuerca De Retención	
11	6106234M92	1	Tube Assy - Aux-Boom 4.9 LH	Ensemble Tube	Rohr Kpl	Conjunto De Tubería	
12	6106236M92	1	Tube Assy - Aux-Boom 4.9 RH	Ensemble Tube	Rohr Kpl	Conjunto De Tubería	
13	6106746M91	2	Hose Assy.	Flexible Ass.	Schlauch Kpl	Flexible, Conj.	
14	3517380M93	1	Bracket-Aux Hyd	Patte Fixation	Halter	Cuchara, Conj.	
15	3517379M2	1	Bracket - Hose RH (Plain) - Nla	Support Fixation	Haltearm	Soporte	
16	339123X1	4	Bolt M8-20 Z5f	Boulon M8 X 20	Maschschraube M8	Perno	
17	339374X1	4	Washer M8 -21-2 Z	Rondelle Frein - M8	Federring - M8	Arandela De Freno	
18	390972X1	4	Washer M8-17-1 Zwel	Rondelle M8	Scheibe - M8	Arandela	
19	355575X1	2	Nut 1 1/16-12 Bkhd Loc	Ecrou Blocage	Flachmutter	Tuerca De Retención	
20	6106082M1	1	Hose-Sleeve	Chemise	Büchse	Camisa	
21	6107467M92	1	Harness-Hammer ISO Valve	Faisceau Ass.	Kabelbaum	Haz, Conj.	
22	6107165M91	1	Switch Assy Hammer	Commutateur Ass.	Schalter	Conmutador, Conj.	
23	6109932M1	1	Decal - Aux Hydraulics	Adhésif	Aufkleber	Adhesivo	



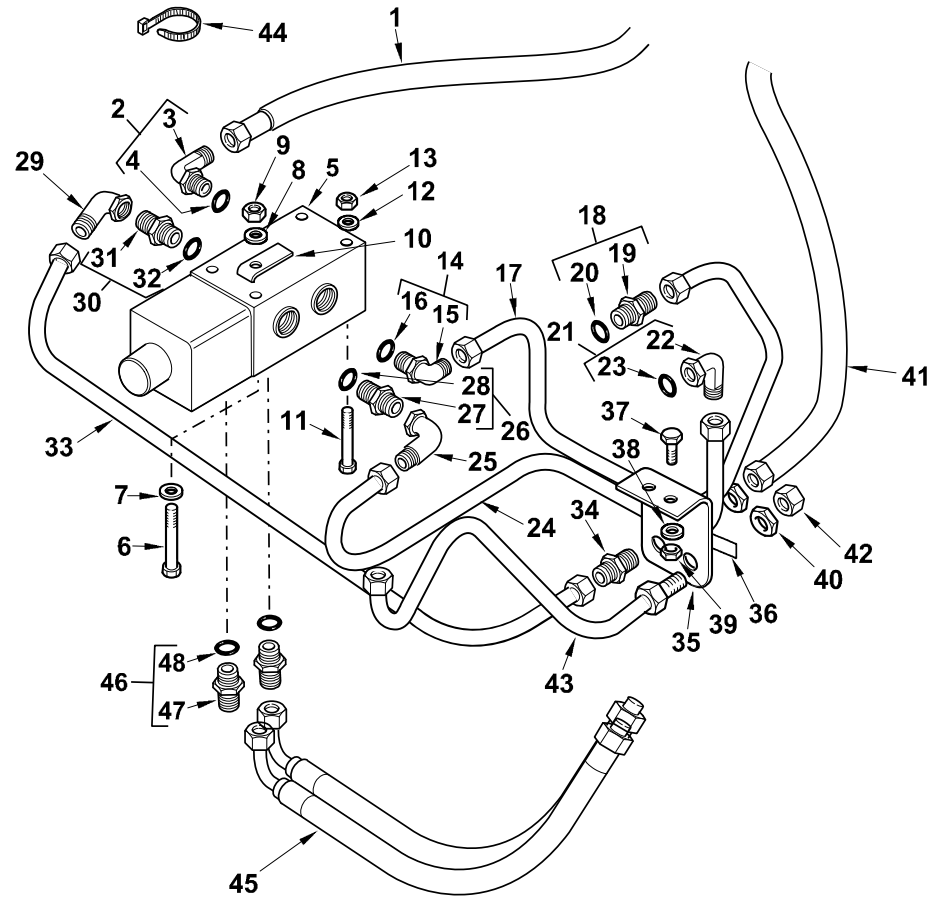
C-80008-02.1-B



Item	Part No.	Qty.	English	French	German	Spanish	Remarks
1	6107468M92	1	Hose Assy. - Aux. Hydrs., Centremount	Flexible Ass.	Schlauch Kpl	Flexible, Conj.	
2	358764X91	1	Elbow 90 Deg	Coude 90°	Kniestück, 90°	Codo, 90°	
3	#ELBOW	1	Elbow	Elbow	Elbow	Elbow	Ref. 2
4	835025M1	1	Ring O	Joint Torique	O Ring	Junta De Tipo O	
5	6108292M91	1	Valve-Changeover	Soupape De Priorité	Vorrangventil	Válvula De Prioridad	Ecn06/091
5	6111538M91	1	Valve - Changeover	Soupape	Ventil	Válvula De Prioridad	Ecn06/091
6	3004715X1	2	Capscrew - M8 X 60 ISO 10.9 (Zinc)	Vis Bouchon M8 X 60	Hutschraube M8 X 60	Tornillo	Ecn06/091
6	3019894X1	3	Bolt M6 X 100	Goupille	Bolzen M6 X 100	Tornillo	Ecn06/091
7	391038X1	3	Washer M6 - Large Zinc Hardened	Rondelle	Scheibe	Arandela	Ecn06/091
8	390972X1	2	Washer M8-17-1 Zwel	Rondelle M8	Scheibe - M8	Arandela	Ecn06/091
8	390971X1	3	Washer M6-12-1 Zwel	Rondelle - M6	Scheibe - M6	Arandela	Ecn06/091
9	394367X1	2	Nut, Hex. - Nyloc, M8	Ecrou Blocage M8	Flachmutter - M8	Tuerca De Retención	Ecn06/091
9	1441500X1	3	Nut M6 Z5 Nyloc	Ecrou	Flachmutter M6	Tuerca De Retención	Ecn06/091
10	6108445M1	1	Plate-Mtg Lug	Patte De Fixation	Anschweislasche	Pata De Fijación	Ecn06/091
11	3001758X1	1	Screw M6-50 Sz8 Hex	Goupille	Bolzen M6 X 50	Tornillo	Ecn06/091
12	390971X1	2	Washer M6-12-1 Zwel	Rondelle - M6	Scheibe - M6	Arandela	Ecn06/091
13	1441500X1	1	Nut M6 Z5 Nyloc	Ecrou	Flachmutter M6	Tuerca De Retención	Ecn06/091
14	358764X91	1	Elbow 90 Deg	Coude 90°	Kniestück, 90°	Codo, 90°	
15	#ELBOW	1	Elbow	Elbow	Elbow	Elbow	Ref. 11
16	835025M1	1	Ring O	Joint Torique	O Ring	Junta De Tipo O	
17	6109620M91	1	Tube Assy - Aux Hydraulics	Tuyauterie	Rohr Kpl	Conjunto De Tubería	
18	835057M91	1	Connector B1510m-12-12	Raccord	Schraubanschluss	Conexión, Conj.	
19	#CONNECTOR	1	Connector	Connector	Connector	Connector	Ref. 15
20	835025M1	1	Ring O	Joint Torique	O Ring	Junta De Tipo O	
21	358764X91	1	Elbow 90 Deg	Coude 90°	Kniestück, 90°	Codo, 90°	
22	#ELBOW	1	Elbow	Elbow	Elbow	Elbow	Ref. 18
23	835025M1	1	Ring O	Joint Torique	O Ring	Junta De Tipo O	
24	6109622M91	1	Tube Assy - Aux Hydraulics	Tuyauterie	Rohrleitung Kplt	Conjunto De Tubería	
25	366462X1	1	Elbow Swivel	Coude À 90°	Winkelstuck	Codo, 90°	
26	835057M91	1	Connector B1510m-12-12	Raccord	Schraubanschluss	Conexión, Conj.	



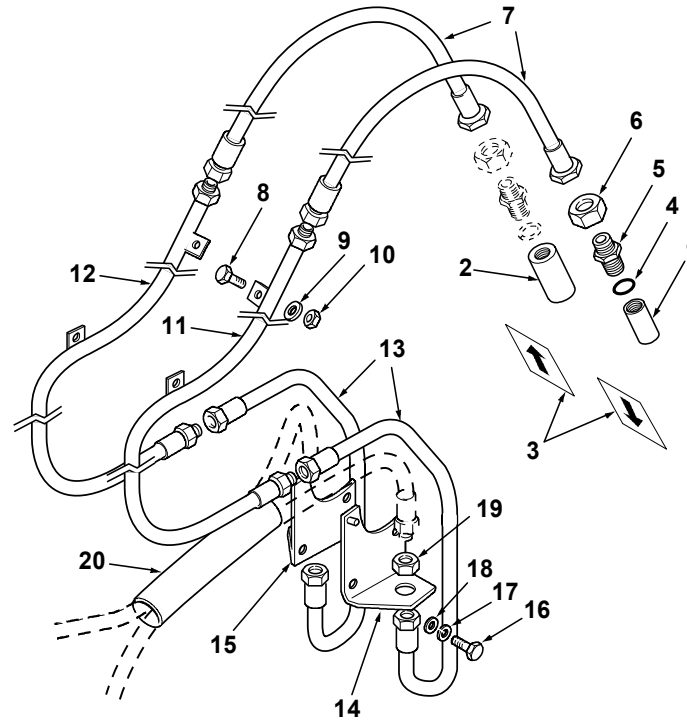
C-80008-02.1-B



Item	Part No.	Qty.	English	French	German	Spanish	Remarks
27	#CONNECTOR	1	Connector	Connector	Connector	Connector	Ref. 23
28	835025M1	1	Ring O	Joint Torique	O Ring	Junta De Tipo O	
29	366462X1	1	Elbow Swivel	Coude À 90°	Winkelstück	Codo, 90°	
30	835057M91	1	Connector B1510m-12-12	Raccord	Schraubanschluss	Conexión, Conj.	
31	#CONNECTOR	1	Connector	Connector	Connector	Connector	Ref. 27
32	835025M1	1	Ring O	Joint Torique	O Ring	Junta De Tipo O	
33	6109766M91	1	Tube Assy	Tuyauterie	Rohr Kpl	Conjunto De Tubería	
34	356269X1	1	Connector, Straight - Hydraulic	Passe-Cloison	Doppelnippel	Pasatabiques	
35	6109769M1	1	Bracket	Patte Fixation	Haltearm	Pata De Fijación	
36	6109770M1	1	Decal-Double Acting Hyds	Adhésif	Aufkleber	Adhesivo	
37	339804X1	2	Bolt, Hex, - M6 X 25	Goupille	Maschschrb Metr - M6	Tornillo	
38	390971X1	2	Washer M6-12-1 Zwel	Rondelle - M6	Scheibe - M6	Arandela	
39	1441500X1	2	Nut M6 Z5 Nyloc	Ecrou	Flachmutter M6	Tuerca De Retención	
40	355575X1	2	Nut 1 1/16-12 Bkhd Loc	Ecrou Blocage	Flachmutter	Tuerca De Retención	
41	6109768M91	1	Hose Assy	Flexible Ass.	Schlauch Kpl	Flexible, Conj.	
42	355782X1	1	Cap	Capuchon	Kappe	Obturador	
43	6110023M91	1	Tube Assy - Aux Hyds Return Cm	Tuyauterie	Rohr Kpl	Conjunto De Tubería	
44	1862425M1	6	Tie 385mm T50I	Attache Cable	Kabelbinder	Enlace De Cable	
45	6109552M91	2	Hose Assy.	Flexible Ass.	Schlauch Kpl	Flexible, Conj.	
46	365715X91	2	Connector, Hydr.-Straight, 1 1/16 X 7/8	Borne	Doppelnippel	Conexión, Conj.	
47	#CONNECTOR	1	Connector	Connector	Connector	Connector	Ref. 43
48	835025M1	1	Ring O	Joint Torique	O Ring	Junta De Tipo O	



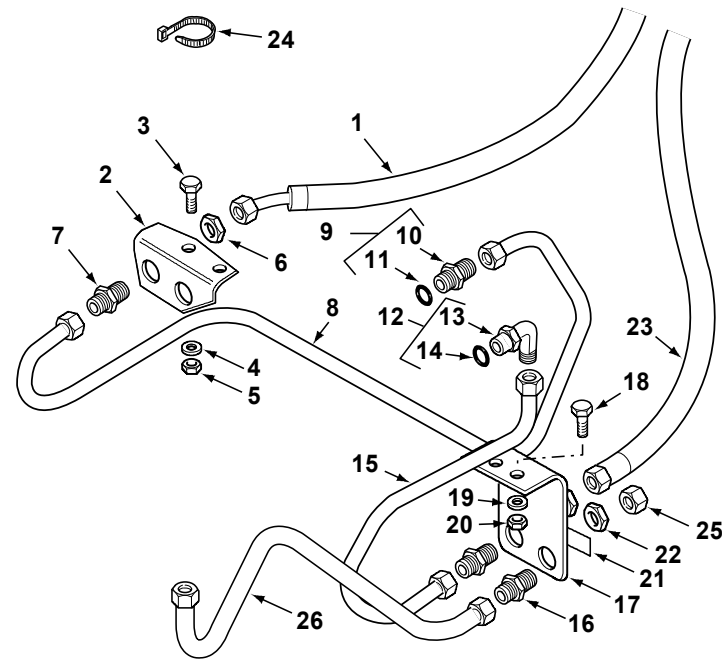
C-80011-01.1-A



Item	Part No.	Qty.	English	French	German	Spanish	Remarks
1	3516796M91	1	Coupling Male Q/Rel	Coupleur Male	Kuppist Innen	Acoplador Rápido	
2	3516795M91	1	Coupling Female Q/Rel	Coupleur Femelle	Kuppist Aussen	Acoplamiento Rápido	
3	6106080M1	2	Decal-Arrow	Adhésif	Aufkleber	Adhesivo	
4	835025M1	2	Ring O	Joint Torique	O Ring	Junta De Tipo O	
5	356269X1	2	Connector, Straight - Hydraulic	Passe-Cloison	Doppelnippel	Pasatabiques	
6	355575X1	2	Nut 1 1/16-12 Bkhd Loc	Ecrou Blocage	Flachmutter	Tuerca De Retención	
7	6106190M91	2	Hose-Aux Dipper	Flexible Ass.	Schlauch Kpl	Flexible, Conj.	
8	339761X1	4	Bolt M8-25 Z5f	Goupille	Bolzen M8 X 25	Tornillo	
9	390972X1	4	Washer M8-17-1 Zwl	Rondelle M8	Scheibe - M8	Arandela	
10	394367X1	4	Nut, Hex. - Nyloc, M8	Ecrou Blocage M8	Flachmutter - M8	Tuerca De Retención	
11	6106186M92	1	Tube-Aux Boom 4.5 LH	Ensemble Tube	Rohr Kpl	Conjunto De Tubería	
12	6106188M92	1	Tube-Aux Boom 4.5 RH	Ensemble Tube	Rohr Kpl	Conjunto De Tubería	
13	6106746M91	2	Hose Assy.	Flexible Ass.	Schlauch Kpl	Flexible, Conj.	
14	3517380M93	1	Bracket-Aux Hyd	Patte Fixation	Halter	Cuchara, Conj.	
15	3517379M2	1	Bracket - Hose RH (Plain) - Nla	Support Fixation	Haltearm	Soporte	
16	339123X1	4	Bolt M8-20 Z5f	Boulon M8 X 20	Maschschraube M8	Perno	
17	339374X1	4	Washer M8 -21-2 Z	Rondelle Frein - M8	Federring - M8	Arandela De Freno	
18	390972X1	4	Washer M8-17-1 Zwl	Rondelle M8	Scheibe - M8	Arandela	
19	355575X1	2	Nut 1 1/16-12 Bkhd Loc	Ecrou Blocage	Flachmutter	Tuerca De Retención	
20	6106082M1	1	Hose-Sleeve	Chemise	Büchse	Camisa	



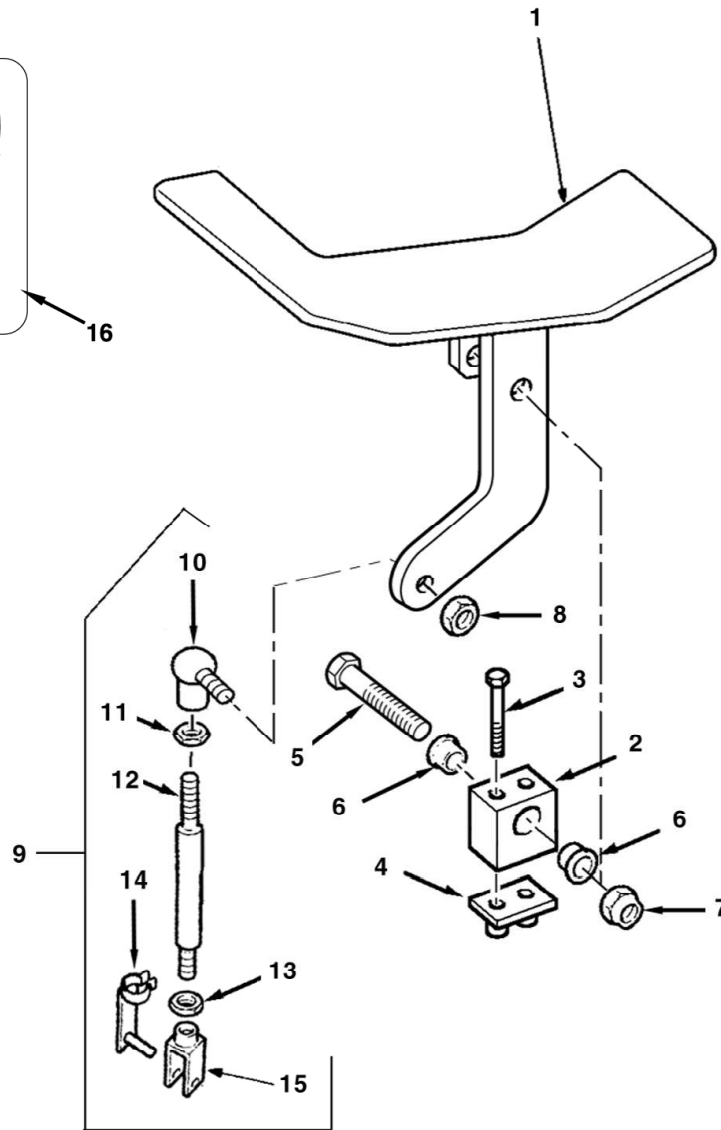
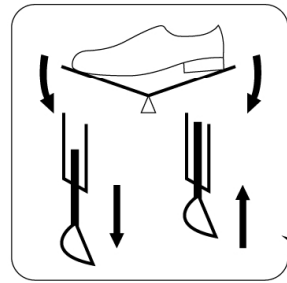
C-80011-02.1-A



Item	Part No.	Qty.	English	French	German	Spanish	Remarks
1	6107468M92	1	Hose Assy. - Aux. Hydrs., Centremount	Flexible Ass.	Schlauch Kpl	Flexible, Conj.	
2	6110076M1	1	Bracket - Aux Hydraulics Cm	Patte Fixation	Haltearm	Pata De Fijación	
3	339804X1	2	Bolt, Hex, - M6 X 25	Goupille	Maschschrb Metr - M6	Tornillo	
4	390971X1	2	Washer M6-12-1 Zwl	Rondelle - M6	Scheibe - M6	Arandela	
5	1441500X1	2	Nut M6 Z5 Nyloc	Ecrou	Flachmutter M6	Tuerca De Retención	
6	355575X1	1	Nut 1 1/16-12 Bkhd Loc	Ecrou Blocage	Flachmutter	Tuerca De Retención	
7	356269X1	1	Connector, Straight - Hydraulic	Passe-Cloison	Doppelnippel	Pasatabiques	
8	6110077M91	1	Tube Assy - Aux Hydraulics Cm	Tuyauterie	Rohr Kpl	Conjunto De Tubería	
9	835057M91	1	Connector B1510m-12-12	Raccord	Schraubanschluss	Conexión, Conj.	
10	#CONNECTOR	1	Connector	Connector	Connector	Connector	Ref. 9
11	835025M1	1	Ring O	Joint Torique	O Ring	Junta De Tipo O	
12	358764X91	1	Elbow 90 Deg	Coude 90°	Kniestück, 90°	Codo, 90°	
13	#ELBOW	1	Elbow	Elbow	Elbow	Elbow	Ref. 12
14	835025M1	1	Ring O	Joint Torique	O Ring	Junta De Tipo O	
15	6110079M91	1	Tube Assy - Aux Hyds Cm	Tuyauterie	Rohrleitung Kplt	Conjunto De Tubería	
16	356269X1	1	Connector, Straight - Hydraulic	Passe-Cloison	Doppelnippel	Pasatabiques	
17	6109769M1	1	Bracket	Patte Fixation	Haltearm	Pata De Fijación	
18	339804X1	2	Bolt, Hex, - M6 X 25	Goupille	Maschschrb Metr - M6	Tornillo	
19	390971X1	2	Washer M6-12-1 Zwl	Rondelle - M6	Scheibe - M6	Arandela	
20	1441500X1	2	Nut M6 Z5 Nyloc	Ecrou	Flachmutter M6	Tuerca De Retención	
21	6109770M1	1	Decal-Double Acting Hyds	Adhésif	Aufkleber	Adhesivo	
22	355575X1	2	Nut 1 1/16-12 Bkhd Loc	Ecrou Blocage	Flachmutter	Tuerca De Retención	
23	6109768M91	1	Hose Assy	Flexible Ass.	Schlauch Kpl	Flexible, Conj.	
24	1862425M1	6	Tie 385mm T50l	Attache Cable	Kabelbinder	Enlace De Cable	
25	355782X1	1	Cap	Capuchon	Kappe	Obturador	
26	6110023M91	1	Tube Assy - Aux Hyds Return Cm	Tuyauterie	Rohr Kpl	Conjunto De Tubería	



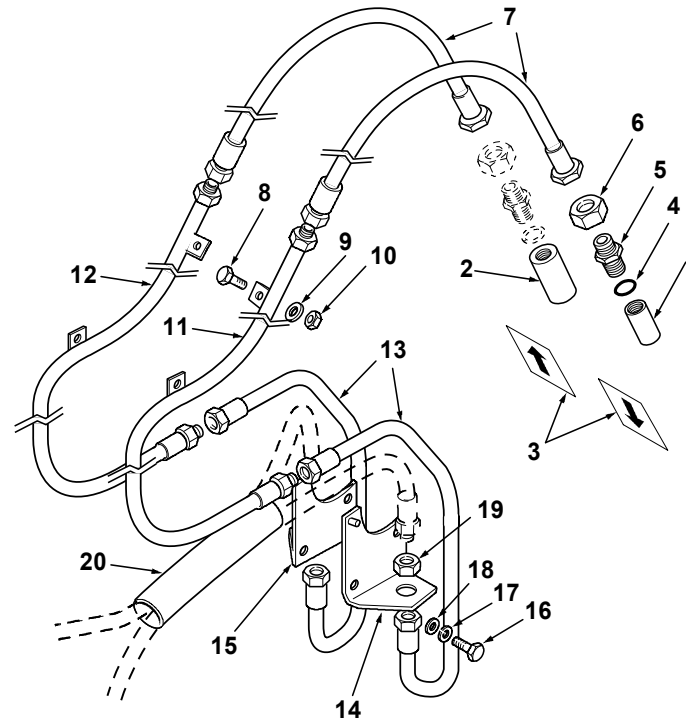
C-80011-03.1-B



Item	Part No.	Qty.	English	French	German	Spanish	Remarks
1	6106874M91	1	Pedal-Ext.Hoe	Ensemble De Pédale	Pedal	Pedal, Conj.	
2	6106734M1	1	Block-Nylon Pivot	Bloc Pivot	Drehzapfen	Pivote	
3	3001758X1	2	Screw M6-50 Sz8 Hex	Goupille	Bolzen M6 X 50	Tornillo	
4	3519538M1	1	Plate Base	Plaque De Base	Grundplatte	Placa De Base	
5	339679X1	1	Bolt M10x60	Vis	Schraube	Perno	
6	6106866M1	2	Bush-Ext. Hoe	Douille	Büchse	Anillo	
7	1440329X1	1	Nut, Hex. - Nyloc, M10	Ecrou Blocage	Flachmutter M10	Tuerca De Retención	
8	394367X1	1	Nut, Hex. - Nyloc, M8	Ecrou Blocage M8	Flachmutter - M8	Tuerca De Retención	
9	6106724M92	1	Rod-Exthoe	Tringlerie	Gestänge	Tirantes, Conj.	
10	3517518M1	1	Ball Joint M8	Rotule	Kugelgelenk	Rotula	
11	339169X1	1	Nut, Hex. - M8, Coarse	Ecrou Métrique	Mutter Metrisch	Tuerca	
12	#ROD	1	Rod	Rod	Rod	Rod	Ref.9
13	3519650M1	1	Nut, Hex - M8, L/H Thread	Ecrou	Mutter	Tuerca	
14	3520666M1	1	Pin W/ Spring Clip	Axe De Chape	Gabelstift	Eje De Brida	
15	3519590M1	1	Clevis LH Thread	Chape	Gabelverbindung	Brida	
16	6101865M2	1	Decal - Extendahoe	Adhésif	Aufkleber	Adhesivo	



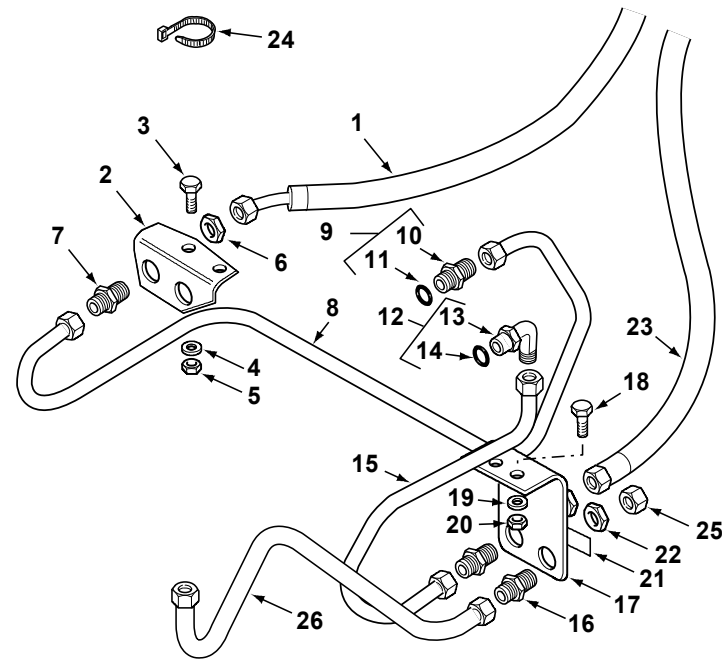
C-80012-01.1-A



Item	Part No.	Qty.	English	French	German	Spanish	Remarks
1	3516796M91	1	Coupling Male Q/Rel	Coupleur Male	Kuppist Innen	Acoplador Rápido	
2	3516795M91	1	Coupling Female Q/Rel	Coupleur Femelle	Kuppist Aussen	Acoplamiento Rápido	
3	6106080M1	2	Decal-Arrow	Adhésif	Aufkleber	Adhesivo	
4	835025M1	2	Ring O	Joint Torique	O Ring	Junta De Tipo O	
5	356269X1	2	Connector, Straight - Hydraulic	Passe-Cloison	Doppelnippel	Pasatabiques	
6	355575X1	2	Nut 1 1/16-12 Bkhd Loc	Ecrou Blocage	Flachmutter	Tuerca De Retención	
7	6106190M91	2	Hose-Aux Dipper	Flexible Ass.	Schlauch Kpl	Flexible, Conj.	
8	339761X1	4	Bolt M8-25 Z5f	Goupille	Bolzen M8 X 25	Tornillo	
9	390972X1	4	Washer M8-17-1 Zwl	Rondelle M8	Scheibe - M8	Arandela	
10	394367X1	4	Nut, Hex. - Nyloc, M8	Ecrou Blocage M8	Flachmutter - M8	Tuerca De Retención	
11	6106234M92	1	Tube Assy - Aux-Boom 4.9 LH	Ensemble Tube	Rohr Kpl	Conjunto De Tubería	
12	6106236M92	1	Tube Assy - Aux-Boom 4.9 RH	Ensemble Tube	Rohr Kpl	Conjunto De Tubería	
13	6106746M91	2	Hose Assy.	Flexible Ass.	Schlauch Kpl	Flexible, Conj.	
14	3517380M93	1	Bracket-Aux Hyd	Patte Fixation	Halter	Cuchara, Conj.	
15	3517379M2	1	Bracket - Hose RH (Plain) - Nla	Support Fixation	Haltearm	Soporte	
16	339123X1	4	Bolt M8-20 Z5f	Boulon M8 X 20	Maschschraube M8	Perno	
17	339374X1	4	Washer M8 -21-2 Z	Rondelle Frein - M8	Federring - M8	Arandela De Freno	
18	390972X1	4	Washer M8-17-1 Zwl	Rondelle M8	Scheibe - M8	Arandela	
19	355575X1	2	Nut 1 1/16-12 Bkhd Loc	Ecrou Blocage	Flachmutter	Tuerca De Retención	
20	6106082M1	1	Hose-Sleeve	Chemise	Büchse	Camisa	



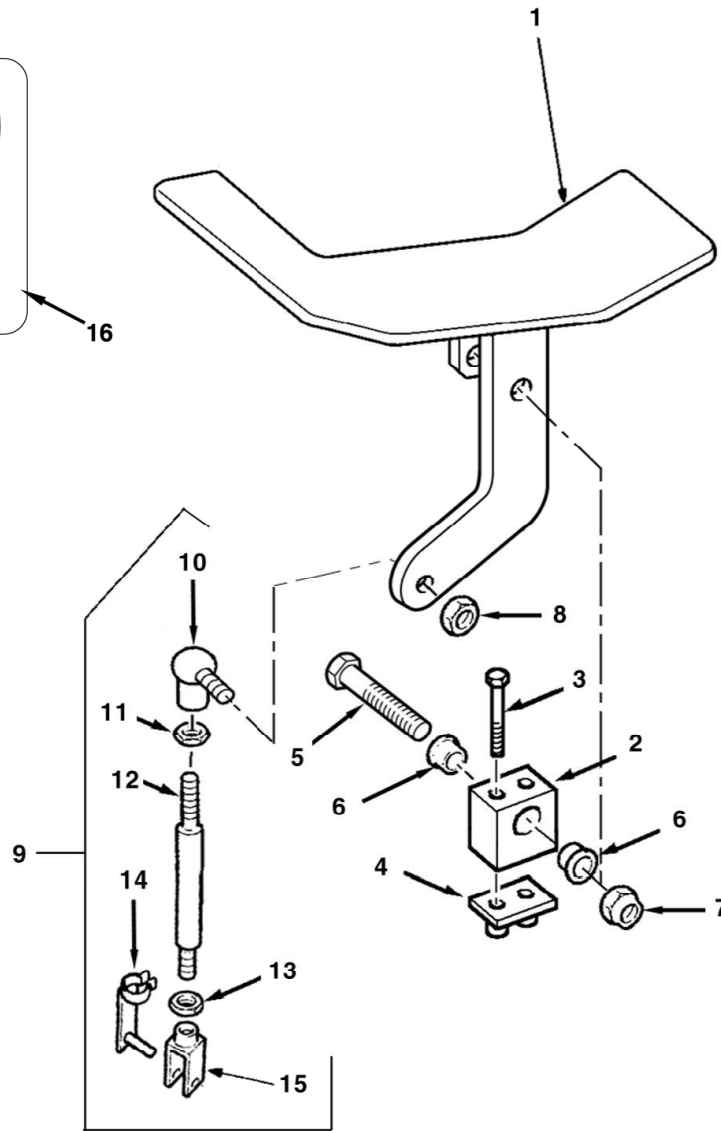
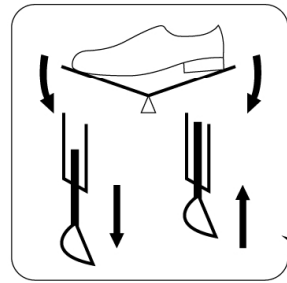
C-80012-02.1-A



Item	Part No.	Qty.	English	French	German	Spanish	Remarks
1	6107468M92	1	Hose Assy. - Aux. Hydrs., Centremount	Flexible Ass.	Schlauch Kpl	Flexible, Conj.	
2	6110076M1	1	Bracket - Aux Hydraulics Cm	Patte Fixation	Haltearm	Pata De Fijación	
3	339804X1	2	Bolt, Hex, - M6 X 25	Goupille	Maschschrb Metr - M6	Tornillo	
4	390971X1	2	Washer M6-12-1 Zwl	Rondelle - M6	Scheibe - M6	Arandela	
5	1441500X1	2	Nut M6 Z5 Nyloc	Ecrou	Flachmutter M6	Tuerca De Retención	
6	355575X1	1	Nut 1 1/16-12 Bkhd Loc	Ecrou Blocage	Flachmutter	Tuerca De Retención	
7	356269X1	1	Connector, Straight - Hydraulic	Passe-Cloison	Doppelnippel	Pasatabiques	
8	6110077M91	1	Tube Assy - Aux Hydraulics Cm	Tuyauterie	Rohr Kpl	Conjunto De Tubería	
9	835057M91	1	Connector B1510m-12-12	Raccord	Schraubanschluss	Conexión, Conj.	
10	#CONNECTOR	1	Connector	Connector	Connector	Connector	Ref. 9
11	835025M1	1	Ring O	Joint Torique	O Ring	Junta De Tipo O	
12	358764X91	1	Elbow 90 Deg	Coude 90°	Kniestück, 90°	Codo, 90°	
13	#ELBOW	1	Elbow	Elbow	Elbow	Elbow	Ref. 12
14	835025M1	1	Ring O	Joint Torique	O Ring	Junta De Tipo O	
15	6110079M91	1	Tube Assy - Aux Hyds Cm	Tuyauterie	Rohrleitung Kplt	Conjunto De Tubería	
16	356269X1	1	Connector, Straight - Hydraulic	Passe-Cloison	Doppelnippel	Pasatabiques	
17	6109769M1	1	Bracket	Patte Fixation	Haltearm	Pata De Fijación	
18	339804X1	2	Bolt, Hex, - M6 X 25	Goupille	Maschschrb Metr - M6	Tornillo	
19	390971X1	2	Washer M6-12-1 Zwl	Rondelle - M6	Scheibe - M6	Arandela	
20	1441500X1	2	Nut M6 Z5 Nyloc	Ecrou	Flachmutter M6	Tuerca De Retención	
21	6109770M1	1	Decal-Double Acting Hyds	Adhésif	Aufkleber	Adhesivo	
22	355575X1	2	Nut 1 1/16-12 Bkhd Loc	Ecrou Blocage	Flachmutter	Tuerca De Retención	
23	6109768M91	1	Hose Assy	Flexible Ass.	Schlauch Kpl	Flexible, Conj.	
24	1862425M1	6	Tie 385mm T50l	Attache Cable	Kabelbinder	Enlace De Cable	
25	355782X1	1	Cap	Capuchon	Kappe	Obturador	
26	6110023M91	1	Tube Assy - Aux Hyds Return Cm	Tuyauterie	Rohr Kpl	Conjunto De Tubería	



C-80012-03.1-B



Item	Part No.	Qty.	English	French	German	Spanish	Remarks
1	6106874M91	1	Pedal-Ext.Hoe	Ensemble De Pédale	Pedal	Pedal, Conj.	
2	6106734M1	1	Block-Nylon Pivot	Bloc Pivot	Drehzapfen	Pivote	
3	3001758X1	2	Screw M6-50 Sz8 Hex	Goupille	Bolzen M6 X 50	Tornillo	
4	3519538M1	1	Plate Base	Plaque De Base	Grundplatte	Placa De Base	
5	339679X1	1	Bolt M10x60	Vis	Schraube	Perno	
6	6106866M1	2	Bush-Ext. Hoe	Douille	Büchse	Anillo	
7	1440329X1	1	Nut, Hex. - Nyloc, M10	Ecrou Blocage	Flachmutter M10	Tuerca De Retención	
8	394367X1	1	Nut, Hex. - Nyloc, M8	Ecrou Blocage M8	Flachmutter - M8	Tuerca De Retención	
9	6106724M92	1	Rod-Exthoe	Tringlerie	Gestänge	Tirantes, Conj.	
10	3517518M1	1	Ball Joint M8	Rotule	Kugelgelenk	Rotula	
11	339169X1	1	Nut, Hex. - M8, Coarse	Ecrou Métrique	Mutter Metrisch	Tuerca	
12	#ROD	1	Rod	Rod	Rod	Rod	Ref.9
13	3519650M1	1	Nut, Hex - M8, L/H Thread	Ecrou	Mutter	Tuerca	
14	3520666M1	1	Pin W/ Spring Clip	Axe De Chape	Gabelstift	Eje De Brida	
15	3519590M1	1	Clevis LH Thread	Chape	Gabelverbindung	Brida	
16	6101865M2	1	Decal - Extendahoe	Adhésif	Aufkleber	Adhesivo	



Not Illustrated

Non Illustrée

Nicht Abgebildet

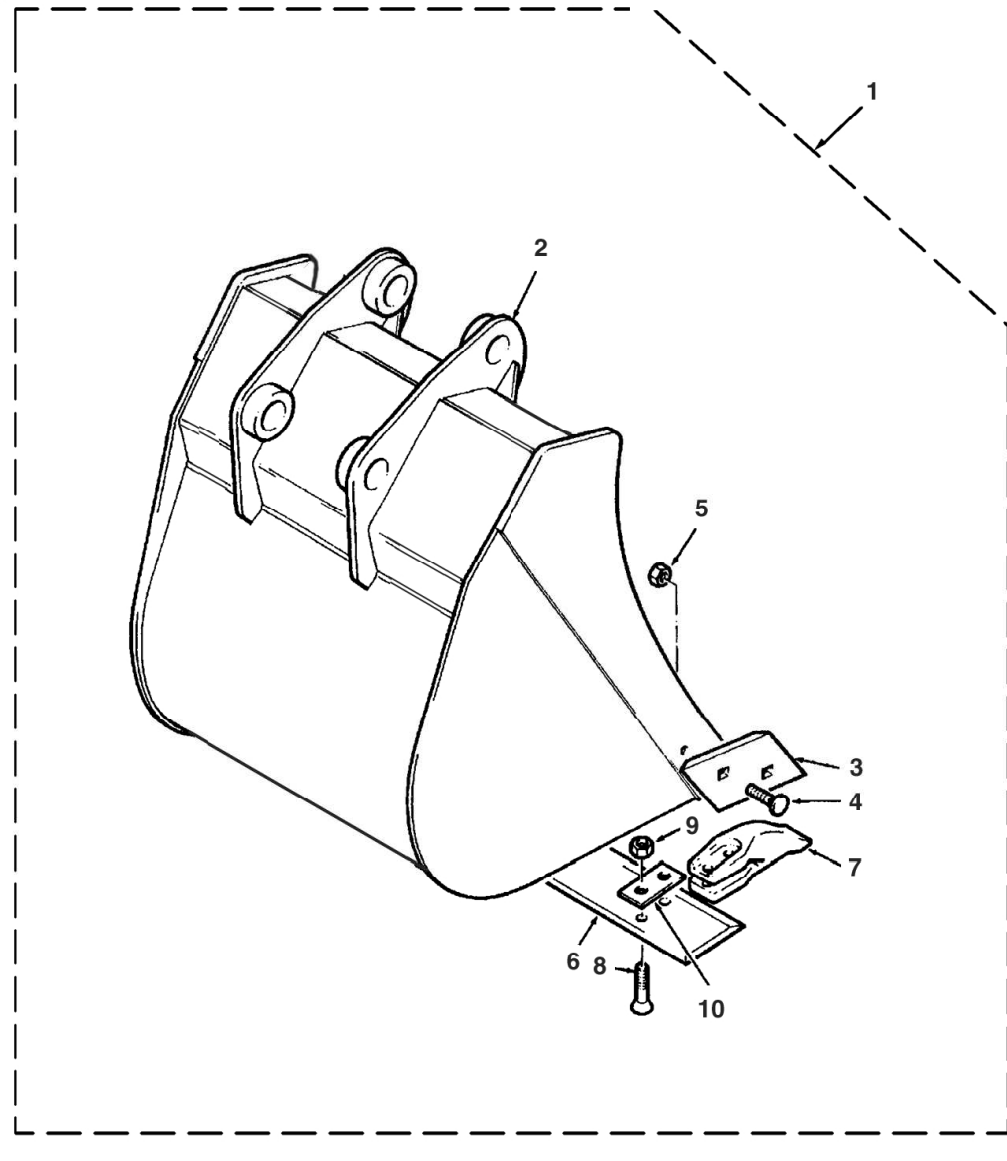
Non Illustrato

No Ilustrado

Item	Part No.	Qty.	English	French	German	Spanish	Remarks
------	----------	------	---------	--------	--------	---------	---------



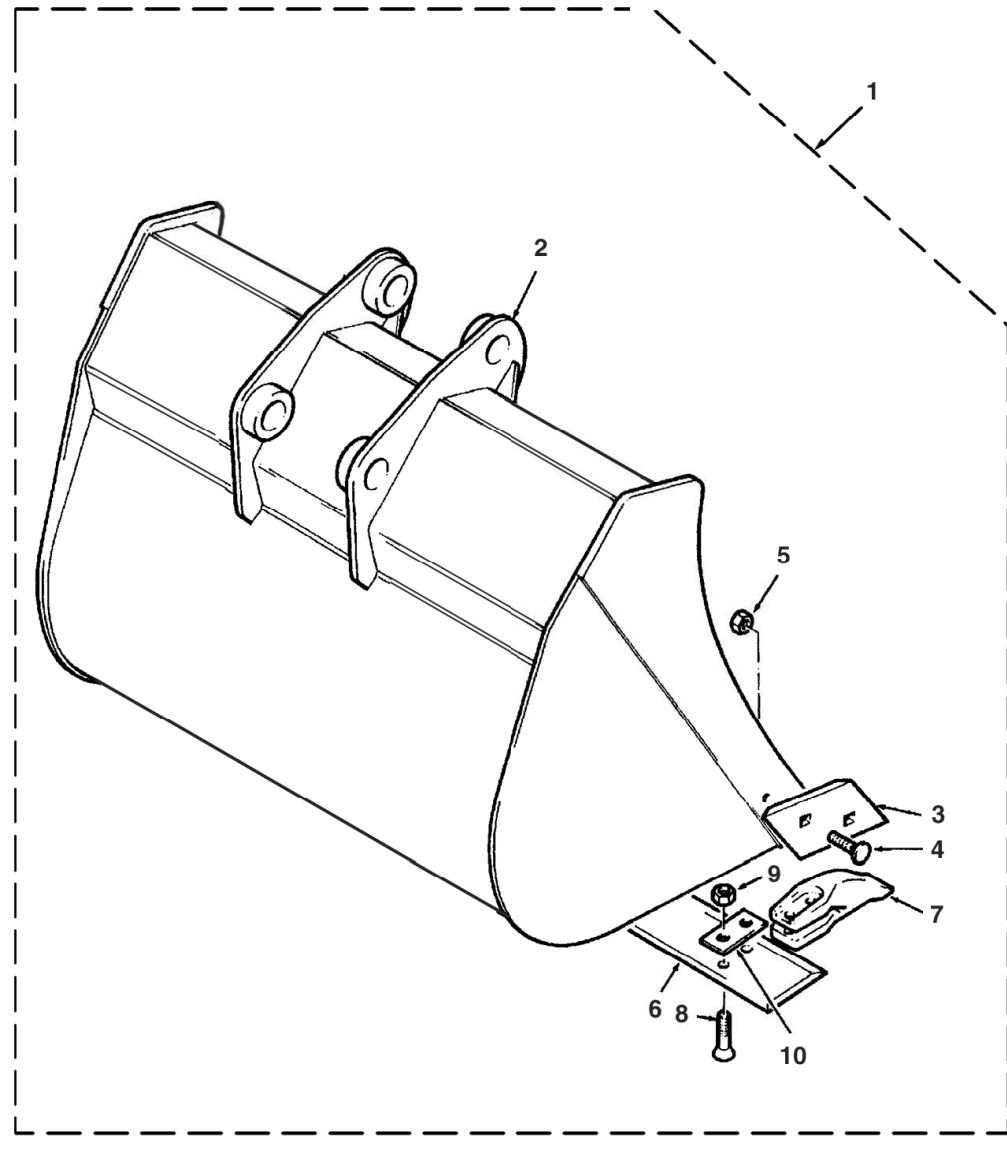
C-75001-01.1-A



Item	Part No.	Qty.	English	French	German	Spanish	Remarks
1	3516453M93	1	Bucket, Digger - 600mm, Standard	Godet	Ladeschaufel	Cuchara, Conj.	
2	#BUCKET	1	Bucket	Bucket	Bucket	Bucket	Ref.1
3	3500531M1	1	Cutter-Lh Side	Lame	Klinge	Cuchilla De Ataque	
3	3500532M1	1	Cutter-Rh Side	Lame	Klinge	Cuchilla De Ataque	
4	353422X1	4	Bolt	Goupille	Bolzen	Perno	
5	353427X1	4	Nut, Hex. - 5/8" Unf	Ecrou 5/8" Unf	Mutter 5/8" Unf	Tuerca	
6	3516479M2	1	Blade Dgr Bucket 600mm	Lame	Klinge	Cuchilla	
7	1462201M3	0	Tooth, Bucket	Dent	Zahn	Diente	
8	353915X1	0	Bolt, Plough - Special, 5/8" Unf X 2.62"	Boulon	Spezialschraube	Perno	
9	353427X1	0	Nut, Hex. - 5/8" Unf	Ecrou 5/8" Unf	Mutter 5/8" Unf	Tuerca	
10	862738M1	0	Shim, Bucket Teeth	Cale	Ausgleichsscheibe	Calce	
10	862739M1	0	Shim, Bucket Teeth	Cale	Ausgleichsscheibe	Calce	



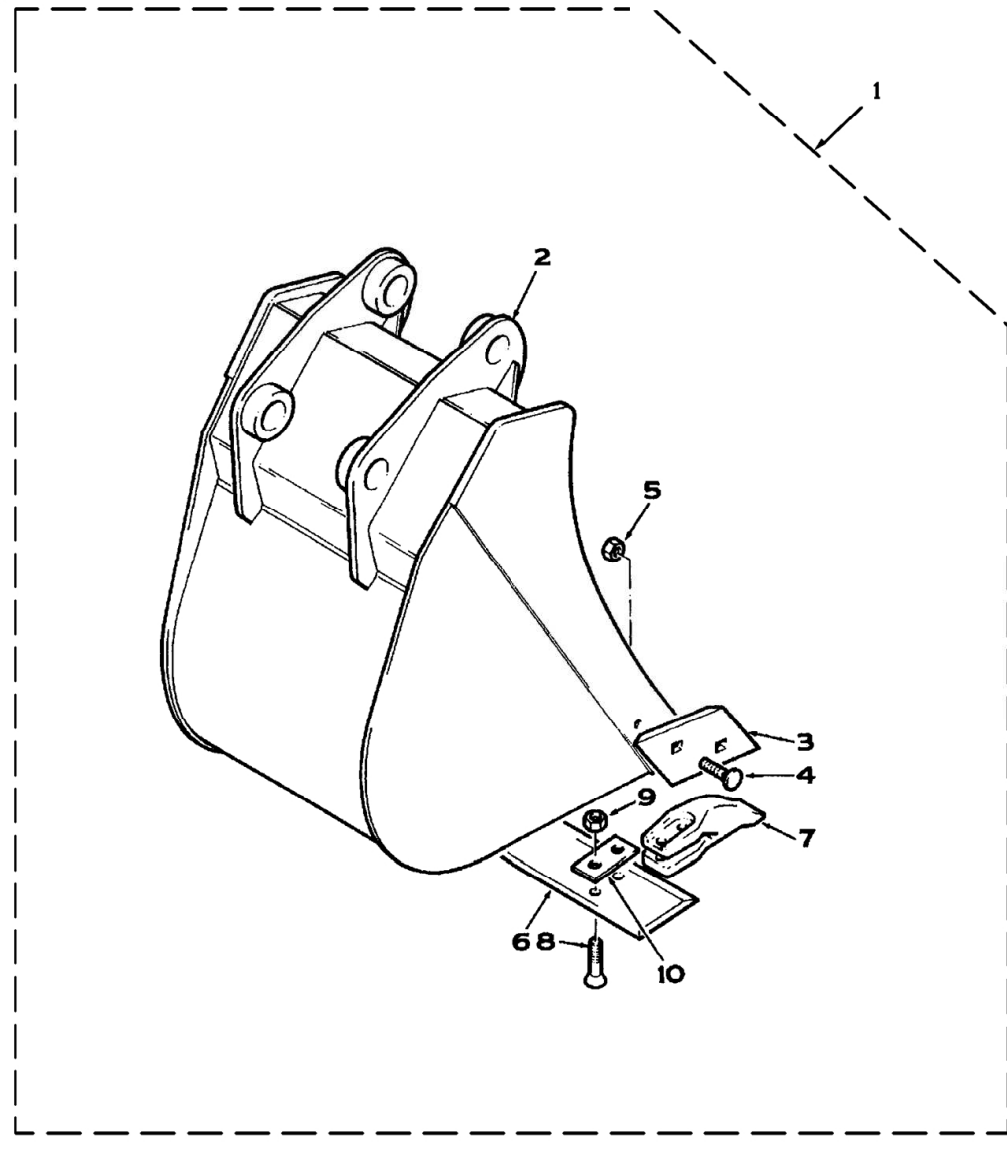
C-75002-01.1-A



Item	Part No.	Qty.	English	French	German	Spanish	Remarks
1	3516457M93	1	Bucket Dgr 900mm (6 Teeth Wide)	Godet	Ladeschaufel	Cuchara, Conj.	
2	#BUCKET	1	Bucket	Bucket	Bucket	Bucket	Ref.1
3	3500531M1	1	Cutter-Lh Side	Lame	Klinge	Cuchilla De Ataque	
3	3500532M1	1	Cutter-Rh Side	Lame	Klinge	Cuchilla De Ataque	
4	353422X1	4	Bolt	Goupille	Bolzen	Perno	
5	353427X1	4	Nut, Hex. - 5/8" Unf	Ecrou 5/8" Unf	Mutter 5/8" Unf	Tuerca	
6	3516477M2	1	Blade Dgr Bucket 900mm	Lame	Klinge	Cuchilla	
7	1462201M3	0	Tooth, Bucket	Dent	Zahn	Diente	
8	353915X1	0	Bolt, Plough - Special, 5/8" Unf X 2.62"	Boulon	Spezialschraube	Perno	
9	353427X1	0	Nut, Hex. - 5/8" Unf	Ecrou 5/8" Unf	Mutter 5/8" Unf	Tuerca	
10	862738M1	0	Shim, Bucket Teeth	Cale	Ausgleichsscheibe	Calce	
10	862739M1	0	Shim, Bucket Teeth	Cale	Ausgleichsscheibe	Calce	



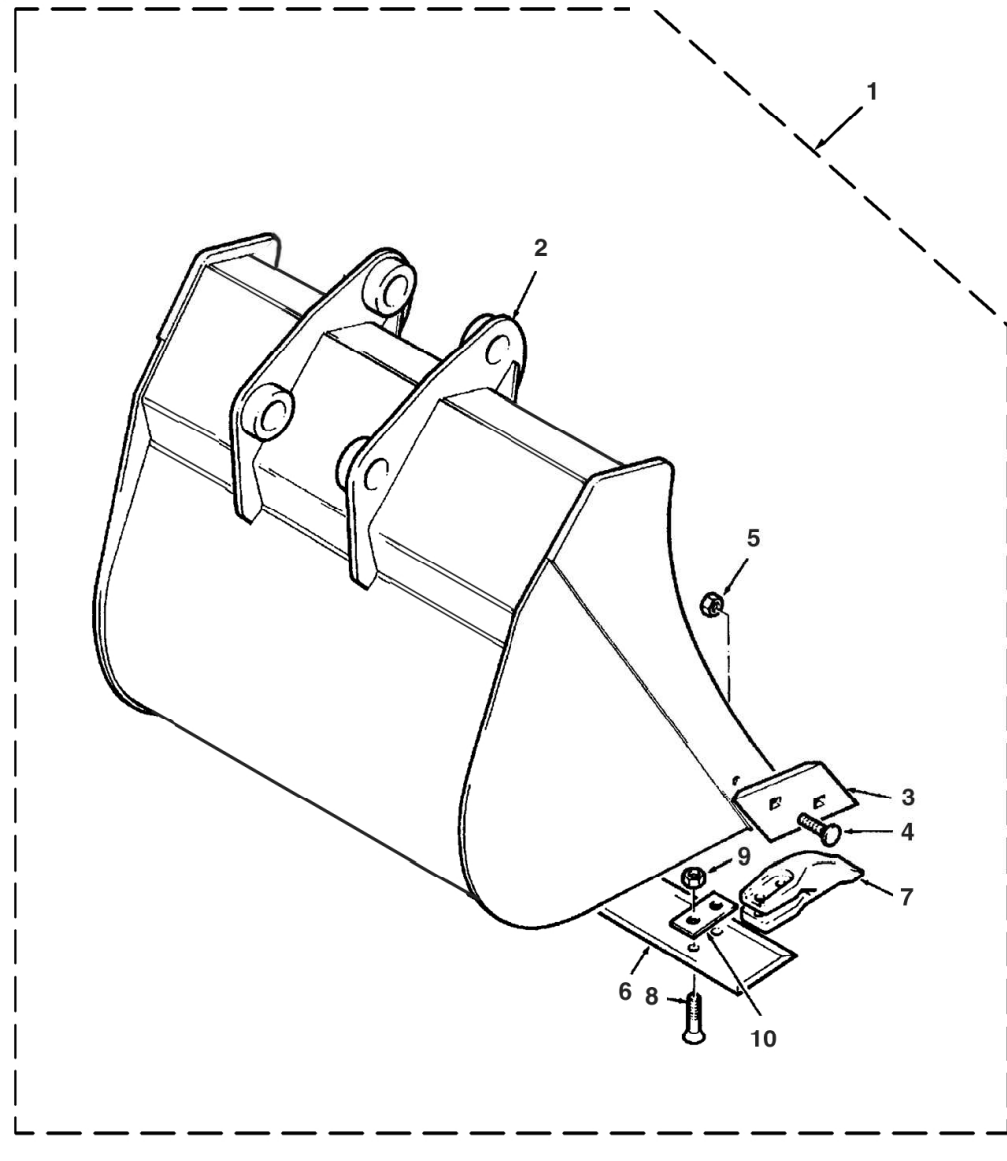
C-75003-01.1-A



Item	Part No.	Qty.	English	French	German	Spanish	Remarks
1	3516451M93	1	Bucket, Digger - 450mm, Standard	Godet	Ladeschaufel	Cuchara, Conj.	
2	#BUCKET	1	Bucket	Bucket	Bucket	Bucket	Ref.1
3	3500531M1	1	Cutter-Lh Side	Lame	Klinge	Cuchilla De Ataque	
3	3500532M1	1	Cutter-Rh Side	Lame	Klinge	Cuchilla De Ataque	
4	353422X1	4	Bolt	Goupille	Bolzen	Perno	
5	353427X1	4	Nut, Hex. - 5/8" Unf	Ecrou 5/8" Unf	Mutter 5/8" Unf	Tuerca	
6	3516480M2	1	Blade Dgr Bucket 450mm	Lame	Klinge	Cuchilla	
7	1462201M3	0	Tooth, Bucket	Dent	Zahn	Diente	
8	353915X1	0	Bolt, Plough - Special, 5/8" Unf X 2.62"	Boulon	Spezialschraube	Perno	
9	353427X1	0	Nut, Hex. - 5/8" Unf	Ecrou 5/8" Unf	Mutter 5/8" Unf	Tuerca	
10	862738M1	0	Shim, Bucket Teeth	Cale	Ausgleichsscheibe	Calce	
10	862739M1	0	Shim, Bucket Teeth	Cale	Ausgleichsscheibe	Calce	



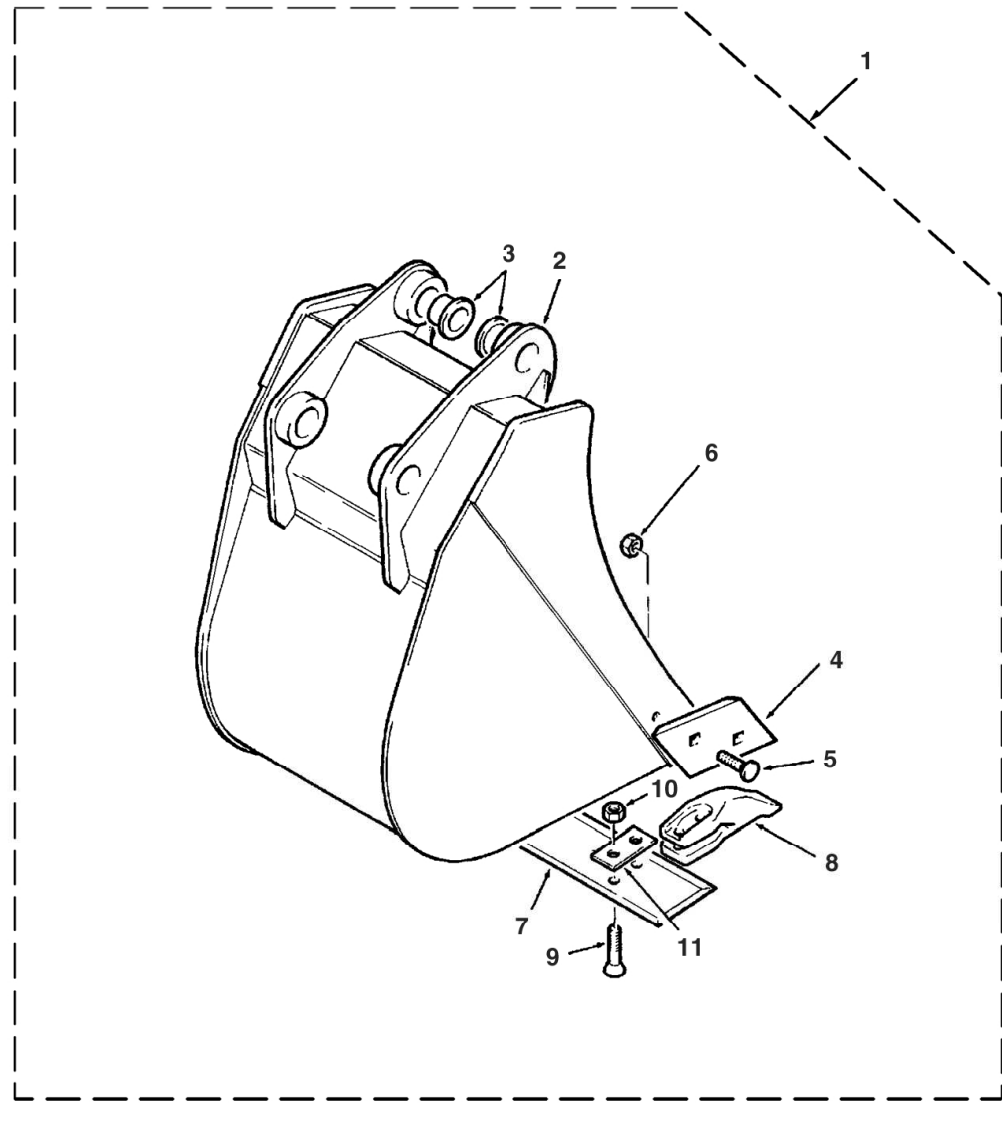
C-75004-01.1-A



Item	Part No.	Qty.	English	French	German	Spanish	Remarks
1	3516455M93	1	Bucket, Digger - 750mm, Standard	Godet	Ladeschaufel	Cuchara, Conj.	
2	#BUCKET	1	Bucket	Bucket	Bucket	Bucket	Ref.1
3	3500531M1	1	Cutter-Lh Side	Lame	Klinge	Cuchilla De Ataque	
3	3500532M1	1	Cutter-Rh Side	Lame	Klinge	Cuchilla De Ataque	
4	353422X1	4	Bolt	Goupille	Bolzen	Perno	
5	353427X1	4	Nut, Hex. - 5/8" Unf	Ecrou 5/8" Unf	Mutter 5/8" Unf	Tuerca	
6	3516478M2	1	Blade Dgr Bucket 750mm	Lame	Klinge	Cuchilla	
7	1462201M3	0	Tooth, Bucket	Dent	Zahn	Diente	
8	353915X1	0	Bolt, Plough - Special, 5/8" Unf X 2.62"	Boulon	Spezialschraube	Perno	
9	353427X1	0	Nut, Hex. - 5/8" Unf	Ecrou 5/8" Unf	Mutter 5/8" Unf	Tuerca	
10	862738M1	0	Shim, Bucket Teeth	Cale	Ausgleichsscheibe	Calce	
10	862739M1	0	Shim, Bucket Teeth	Cale	Ausgleichsscheibe	Calce	



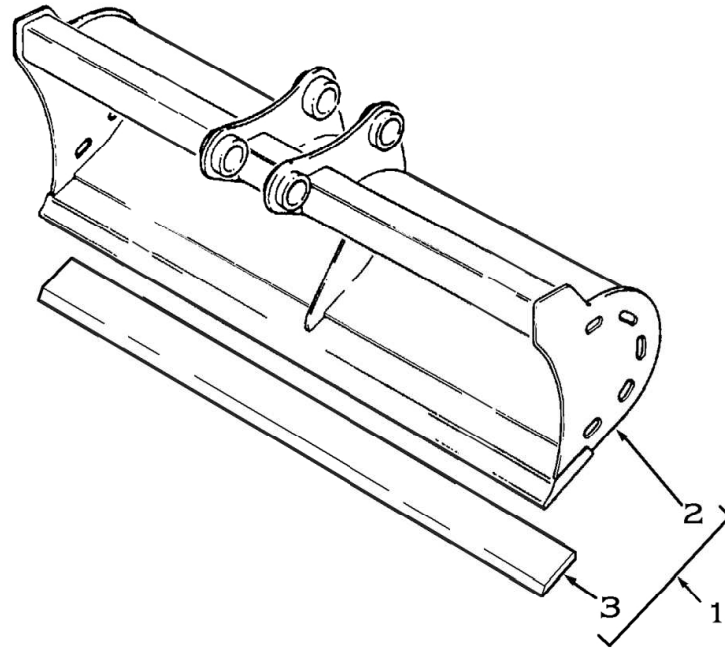
C-75005-01.1-A



Item	Part No.	Qty.	English	French	German	Spanish	Remarks
1	3516492M92	1	Bucket Dgr 305mm (3 Teeth Close)	Godet	Ladeschaufel	Cuchara, Conj.	
2	#BUCKET	1	Bucket	Bucket	Bucket	Bucket	Ref.1
3	3501770M2	2	Bushing Large	Bague	Büchse	Anillo	
4	3500531M1	1	Cutter-Lh Side	Lame	Klinge	Cuchilla De Ataque	
4	3500532M1	1	Cutter-Rh Side	Lame	Klinge	Cuchilla De Ataque	
5	353422X1	4	Bolt	Goupille	Bolzen	Perno	
6	353427X1	4	Nut, Hex. - 5/8" Unf	Ecrou 5/8" Unf	Mutter 5/8" Unf	Tuerca	
7	3516498M1	1	Blade 305mm Bucket	Lame	Klinge	Cuchilla	
8	1462201M3	3	Tooth, Bucket	Dent	Zahn	Diente	
9	353915X1	6	Bolt, Plough - Special, 5/8" Unf X 2.62"	Boulon	Spezialschraube	Perno	
10	353427X1	6	Nut, Hex. - 5/8" Unf	Ecrou 5/8" Unf	Mutter 5/8" Unf	Tuerca	
11	862738M1	0	Shim, Bucket Teeth	Cale	Ausgleichsscheibe	Calce	
11	862739M1	0	Shim, Bucket Teeth	Cale	Ausgleichsscheibe	Calce	

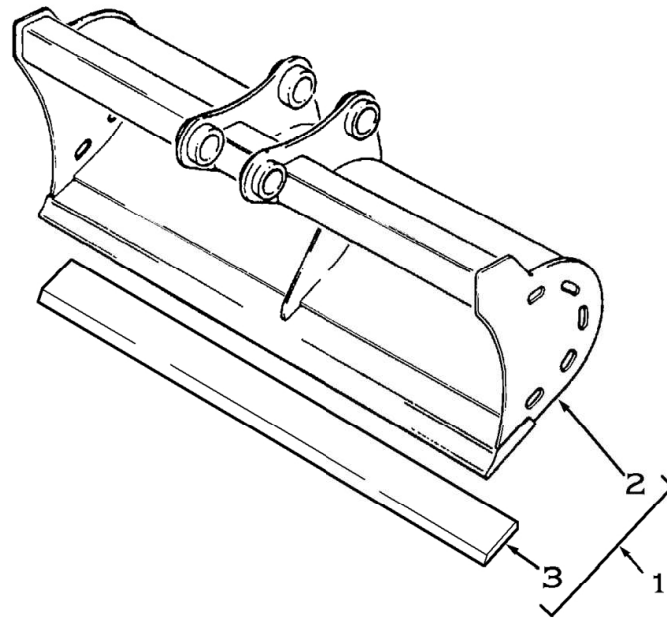


C-75006-01.1-A



Item	Part No.	Qty.	English	French	German	Spanish	Remarks
1	3516000M91	1	Bucket, 1835mm - Ditch Cleaning	Godet	Grabenloffel	Cuchara, Conj.	
2	#BUCKET	1	Bucket	Bucket	Bucket	Bucket	Ref. 1
3	6190734M1	1	Blade, 1835mm - Ditch Cleaning Bucket	Lame	Klinge	Cuchilla	6'.0"

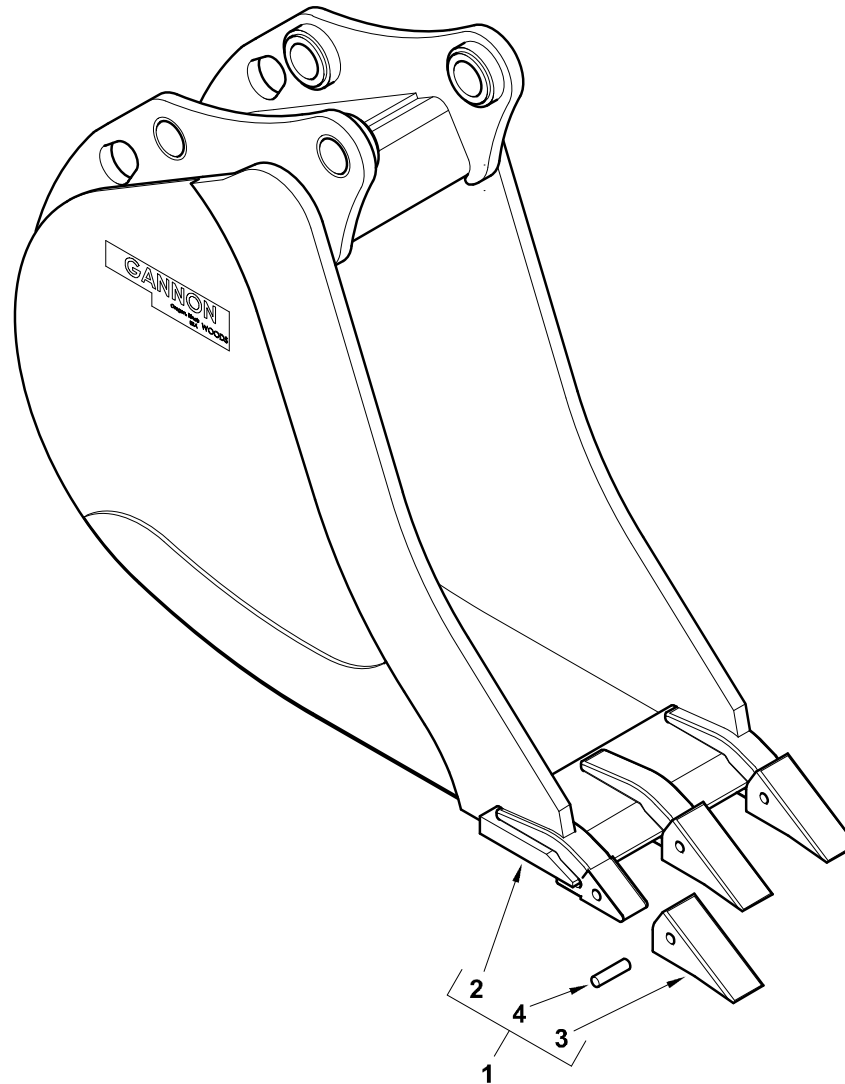
C-75007-01.1-A



Item	Part No.	Qty.	English	French	German	Spanish	Remarks
1	3516001M91	1	Bucket, Digger - 1530mm, Ditch Cleaning	Ensemble De Godet	Grabenloffel	Cuchara, Conj.	
2	#BUCKET	1	Bucket	Bucket	Bucket	Bucket	Ref. 1
3	6190735M1	1	Blade, 1530mm - Ditch Cleaning Bucket	Lame	Klinge	Cuchilla	5'0"



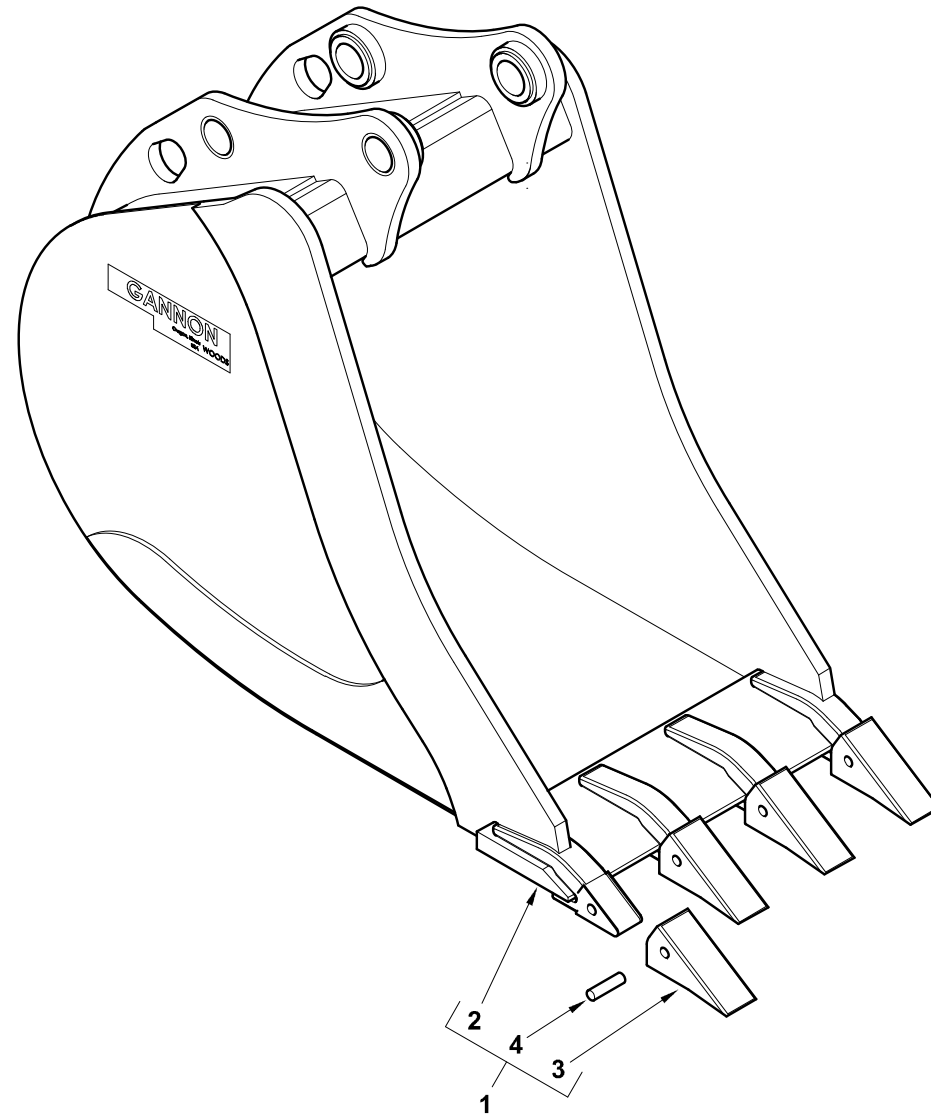
C-75014-01.1-A



Item	Part No.	Qty.	English	French	German	Spanish	Remarks
1	6111925M91	1	Bucket - Digger 12" (Gannon)	Godet De Pelle	Baggerloffel	Cuchara, Conj.	
2	#BUCKET	1	Bucket	Bucket	Bucket	Bucket	Ref. 1
3	#TOOTH	3	Tooth	Tooth	Tooth	Tooth	Ref. 1
4	#PIN	3	Pin	Goupille	Bolzen	Pasador	Ref. 1



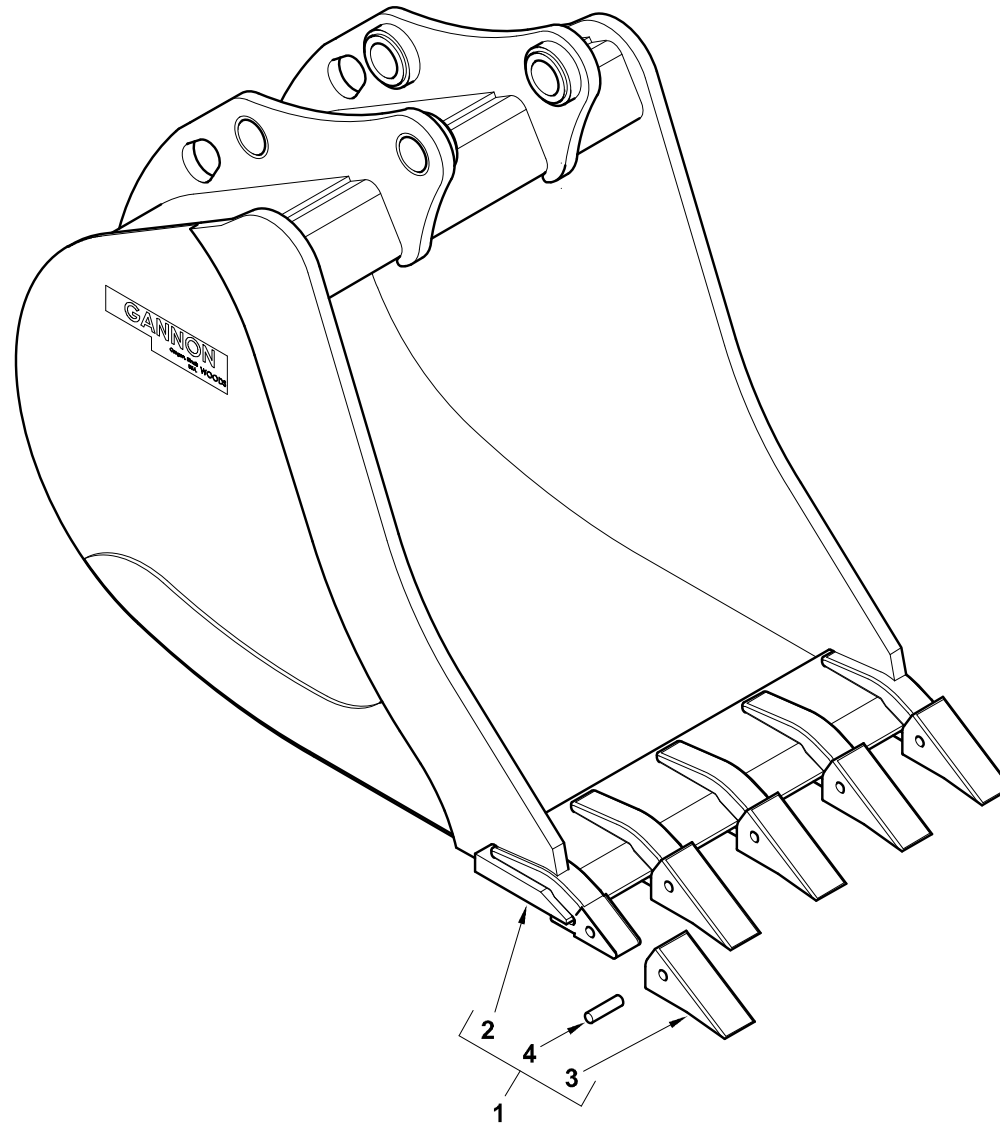
C-75016-01.1-A



Item	Part No.	Qty.	English	French	German	Spanish	Remarks
1	6112241M91	1	Bucket - Digger 18" (Gannon)	Godet De Pelle	Baggerloffel	Cuchara, Conj.	
2	#BUCKET	1	Bucket	Bucket	Bucket	Bucket	Ref. 1
3	#TOOTH	4	Tooth	Tooth	Tooth	Tooth	Ref. 1
4	#PIN	4	Pin	Goupille	Bolzen	Pasador	Ref. 1



C-75015-01.1-A



Item	Part No.	Qty.	English	French	German	Spanish	Remarks
1	6111926M91	1	Bucket - Digger 24" (Gannon)	Godet De Pelle	Baggerloffel	Cuchara, Conj.	
2	#BUCKET	1	Bucket	Bucket	Bucket	Bucket	Ref. 1
3	#TOOTH	5	Tooth	Tooth	Tooth	Tooth	Ref. 1
4	#PIN	5	Pin	Goupille	Bolzen	Pasador	Ref. 1



Not Illustrated

Non Illustrée

Nicht Abgebildet

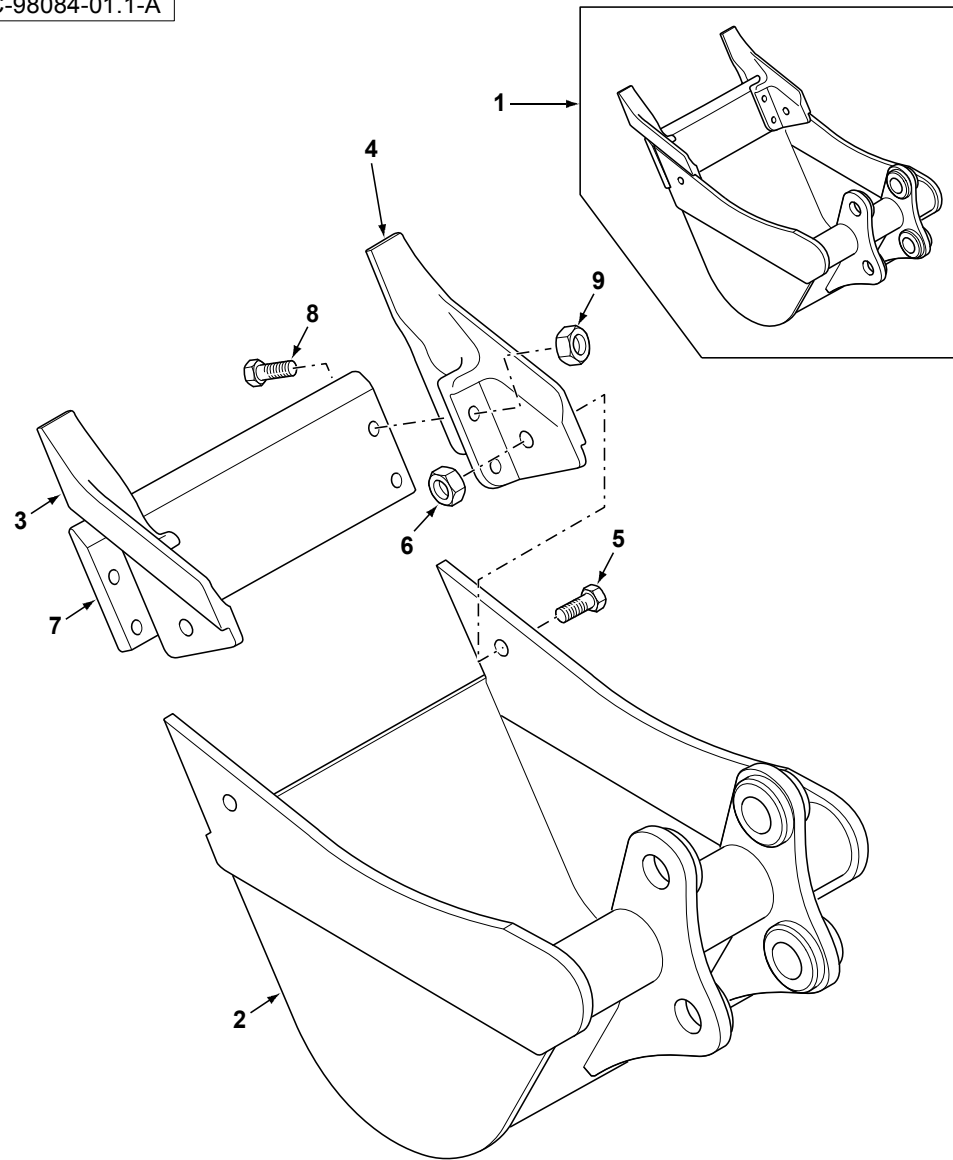
Non Illustrato

No Ilustrado

Item	Part No.	Qty.	English	French	German	Spanish	Remarks
-------------	-----------------	-------------	----------------	---------------	---------------	----------------	----------------



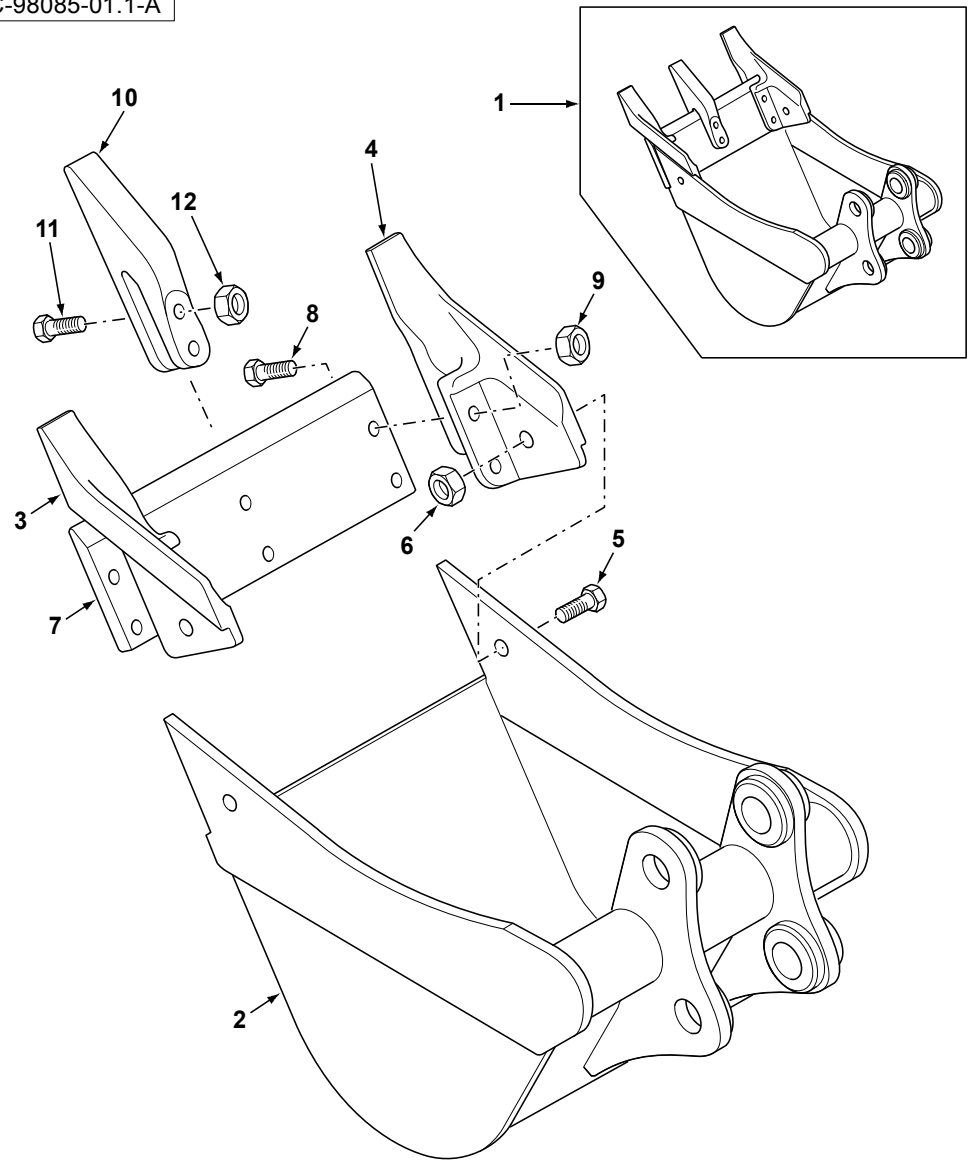
C-98084-01.1-A



Item	Part No.	Qty.	English	French	German	Spanish	Remarks
1	6102393M92	1	Bucket-Premium 300mm-Black	Godet	Ladeschaufel	Cuchara, Conj.	
2	#BUCKET	1	Bucket	Bucket	Bucket	Bucket	Ref. 1
3	6192264M1	1	Tooth & Side Cutter L/H	Lame D'Attaque	Schneidkante	Cuchilla De Ataque	
4	6192265M1	1	Tooth & Side Cutter R/H	Lame D'Attaque	Schneidkante	Cuchilla De Ataque	
5	354710X1	4	Bolt, Hex. - 3/4"Unc X 2"	Goupille	Bolzen	Perno	
6	375100X1	4	Nut - Hex. 3/4" UNC	Ecrou UNC	Mutter UNC	Tuerca	
7	#BLADE	1	Blade	Blade	Blade	Blade	Ref. 1
8	369700X1	4	Bolt, Plough Head - 3/4" UNC X 2.5" Sae5	Boulon	Masch. Schraube	Perno	
9	375100X1	4	Nut - Hex. 3/4" UNC	Ecrou UNC	Mutter UNC	Tuerca	

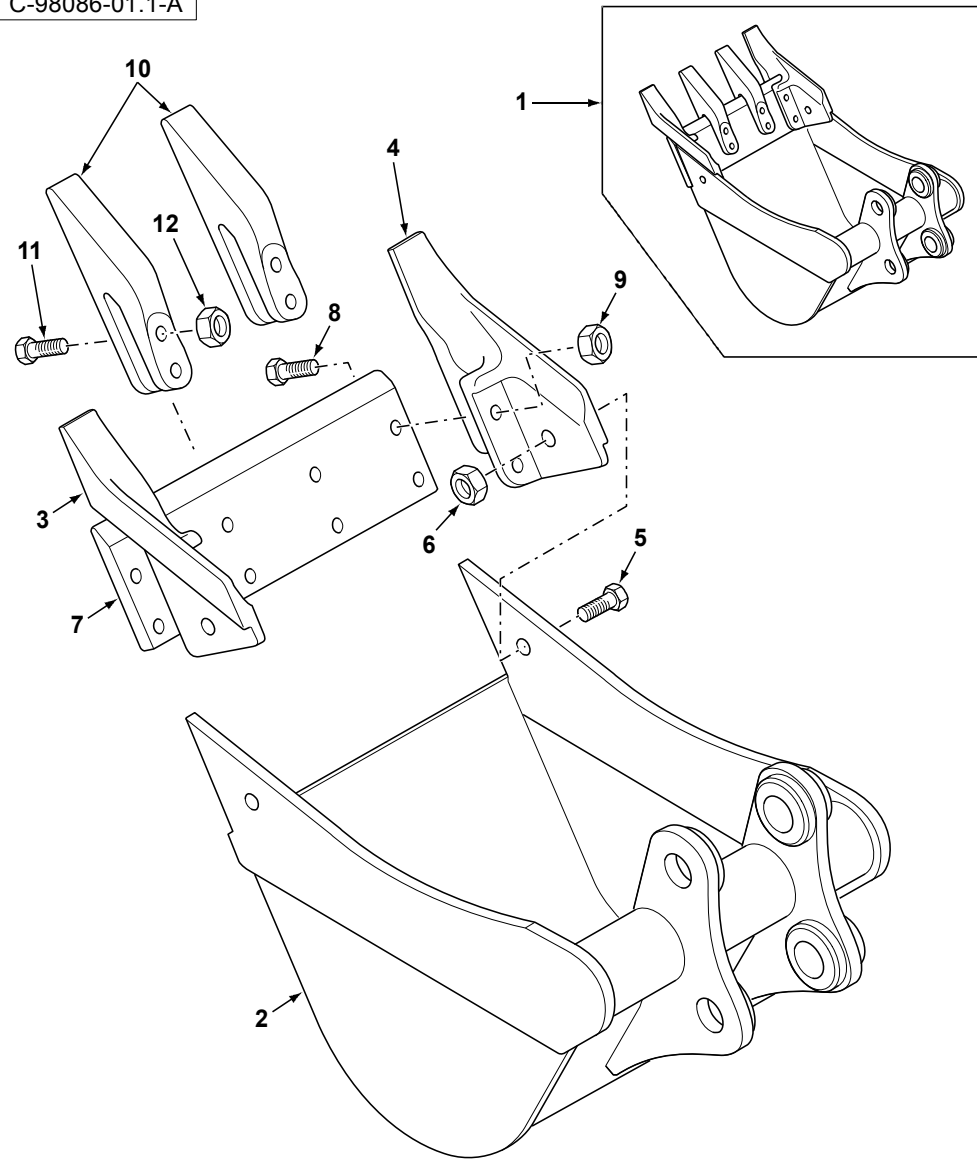


C-98085-01.1-A



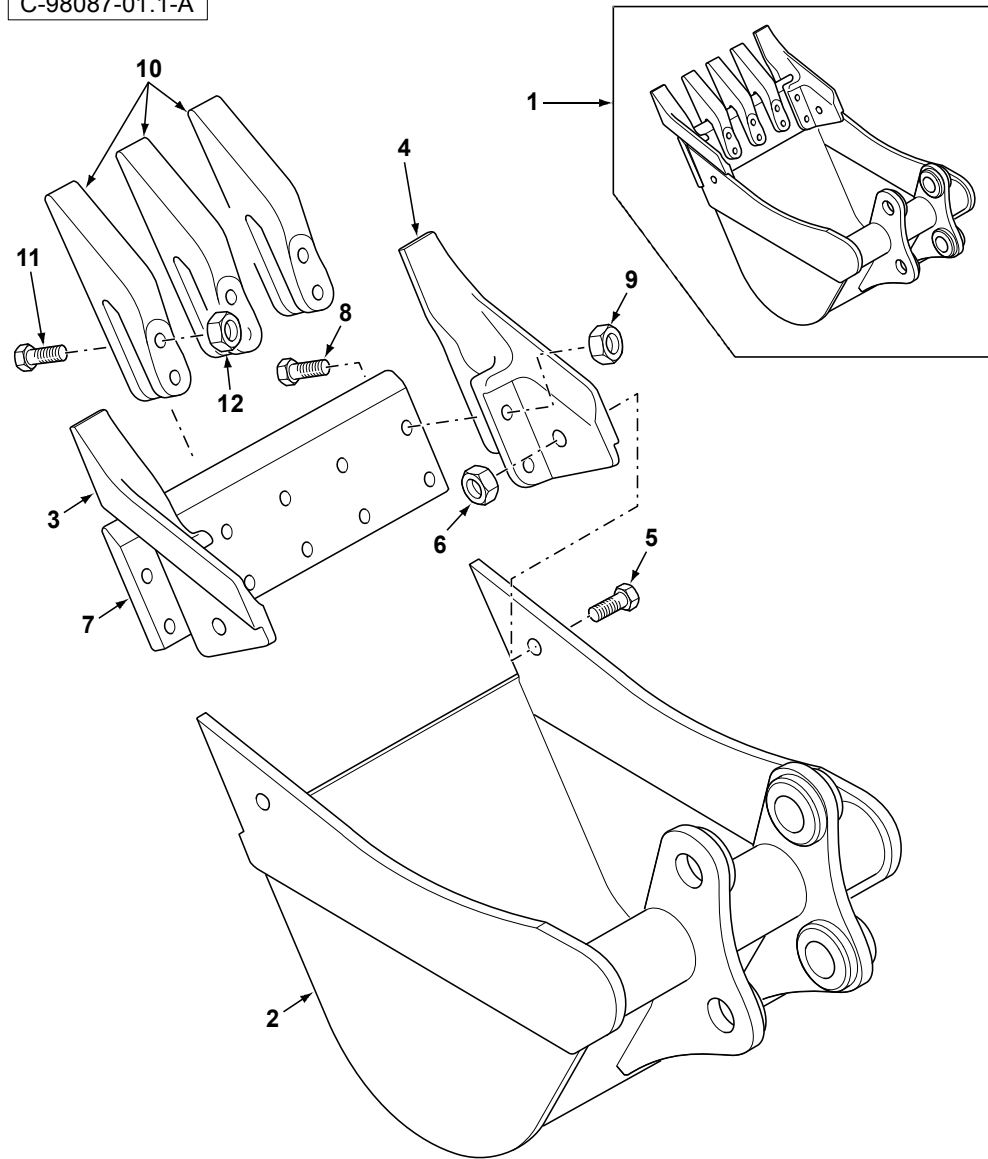
Item	Part No.	Qty.	English	French	German	Spanish	Remarks
1	6102394M92	1	Bucket-Premium 450mm-Black	Godet	Ladeschaufel	Cuchara, Conj.	
2	#BUCKET	1	Bucket	Bucket	Bucket	Bucket	Ref. 1
3	6192264M1	1	Tooth & Side Cutter L/H	Lame D'Attaque	Schneidkante	Cuchilla De Ataque	
4	6192265M1	1	Tooth & Side Cutter R/H	Lame D'Attaque	Schneidkante	Cuchilla De Ataque	
5	354710X1	4	Bolt, Hex. - 3/4"UNC X 2"	Goupille	Bolzen	Perno	
6	375100X1	4	Nut - Hex. 3/4" UNC	Ecrou UNC	Mutter UNC	Tuerca	
7	#BLADE	1	Blade	Blade	Blade	Blade	Ref. 1
8	369700X1	4	Bolt, Plough Head - 3/4" UNC X 2.5" Sae5	Boulon	Masch. Schraube	Perno	
9	375100X1	4	Nut - Hex. 3/4" UNC	Ecrou UNC	Mutter UNC	Tuerca	
10	6192263M1	1	Tooth - Digger Bucket	Dent	Zahn	Diente	
11	369700X1	2	Bolt, Plough Head - 3/4" UNC X 2.5" Sae5	Boulon	Masch. Schraube	Perno	
12	375100X1	2	Nut - Hex. 3/4" UNC	Ecrou UNC	Mutter UNC	Tuerca	

C-98086-01.1-A



Item	Part No.	Qty.	English	French	German	Spanish	Remarks
1	6102395M92	1	Bucket-Premium 600mm-Black	Godet	Ladeschaufel	Cuchara, Conj.	
2	#BUCKET	1	Bucket	Bucket	Bucket	Bucket	Ref. 1
3	6192264M1	1	Tooth & Side Cutter L/H	Lame D'Attaque	Schneidkante	Cuchilla De Ataque	
4	6192265M1	1	Tooth & Side Cutter R/H	Lame D'Attaque	Schneidkante	Cuchilla De Ataque	
5	354710X1	4	Bolt, Hex. - 3/4"UNC X 2"	Goupille	Bolzen	Perno	
6	375100X1	4	Nut - Hex. 3/4" UNC	Ecrou UNC	Mutter UNC	Tuerca	
7	#BLADE	1	Blade	Blade	Blade	Blade	Ref. 1
8	369700X1	4	Bolt, Plough Head - 3/4" UNC X 2.5" Sae5	Boulon	Masch. Schraube	Perno	
9	375100X1	4	Nut - Hex. 3/4" UNC	Ecrou UNC	Mutter UNC	Tuerca	
10	6192263M1	2	Tooth - Digger Bucket	Dent	Zahn	Diente	
11	369700X1	4	Bolt, Plough Head - 3/4" UNC X 2.5" Sae5	Boulon	Masch. Schraube	Perno	
12	375100X1	4	Nut - Hex. 3/4" UNC	Ecrou UNC	Mutter UNC	Tuerca	

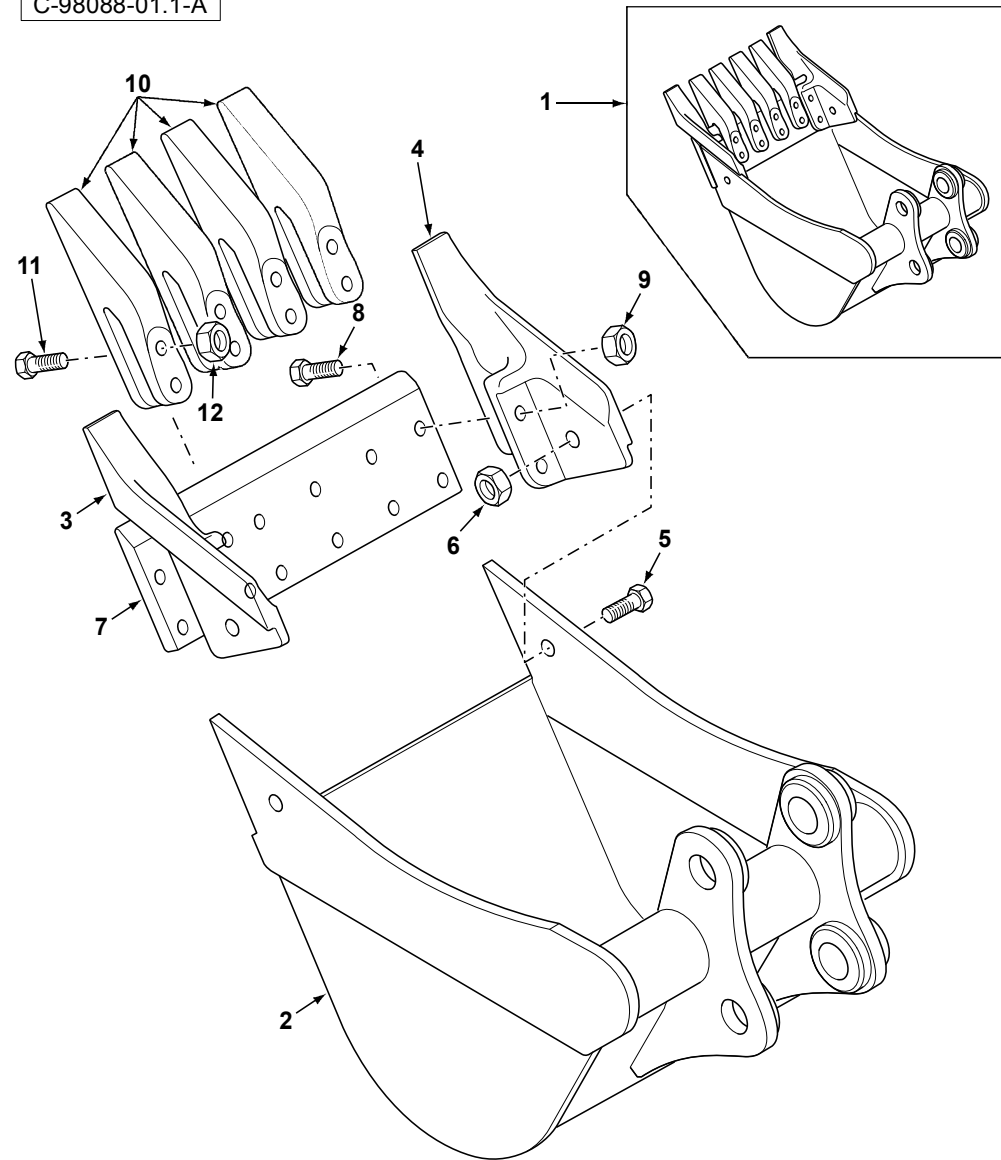
C-98087-01.1-A



Item	Part No.	Qty.	English	French	German	Spanish	Remarks
1	6102396M92	1	Bucket-Premium 750mm-Black	Godet	Ladeschaufel	Cuchara, Conj.	
2	#BUCKET	1	Bucket	Bucket	Bucket	Bucket	Ref. 1
3	6192264M1	1	Tooth & Side Cutter L/H	Lame D'Attaque	Schneidkante	Cuchilla De Ataque	
4	6192265M1	1	Tooth & Side Cutter R/H	Lame D'Attaque	Schneidkante	Cuchilla De Ataque	
5	354710X1	4	Bolt, Hex. - 3/4"Unc X 2"	Goupille	Bolzen	Perno	
6	375100X1	4	Nut - Hex. 3/4" UNC	Ecrou UNC	Mutter UNC	Tuerca	
7	#BLADE	1	Blade	Blade	Blade	Blade	Ref. 1
8	369700X1	4	Bolt, Plough Head - 3/4" UNC X 2.5" Sae5	Boulon	Masch. Schraube	Perno	
9	375100X1	4	Nut - Hex. 3/4" UNC	Ecrou UNC	Mutter UNC	Tuerca	
10	6192263M1	3	Tooth - Digger Bucket	Dent	Zahn	Diente	
11	369700X1	6	Bolt, Plough Head - 3/4" UNC X 2.5" Sae5	Boulon	Masch. Schraube	Perno	
12	375100X1	6	Nut - Hex. 3/4" UNC	Ecrou UNC	Mutter UNC	Tuerca	

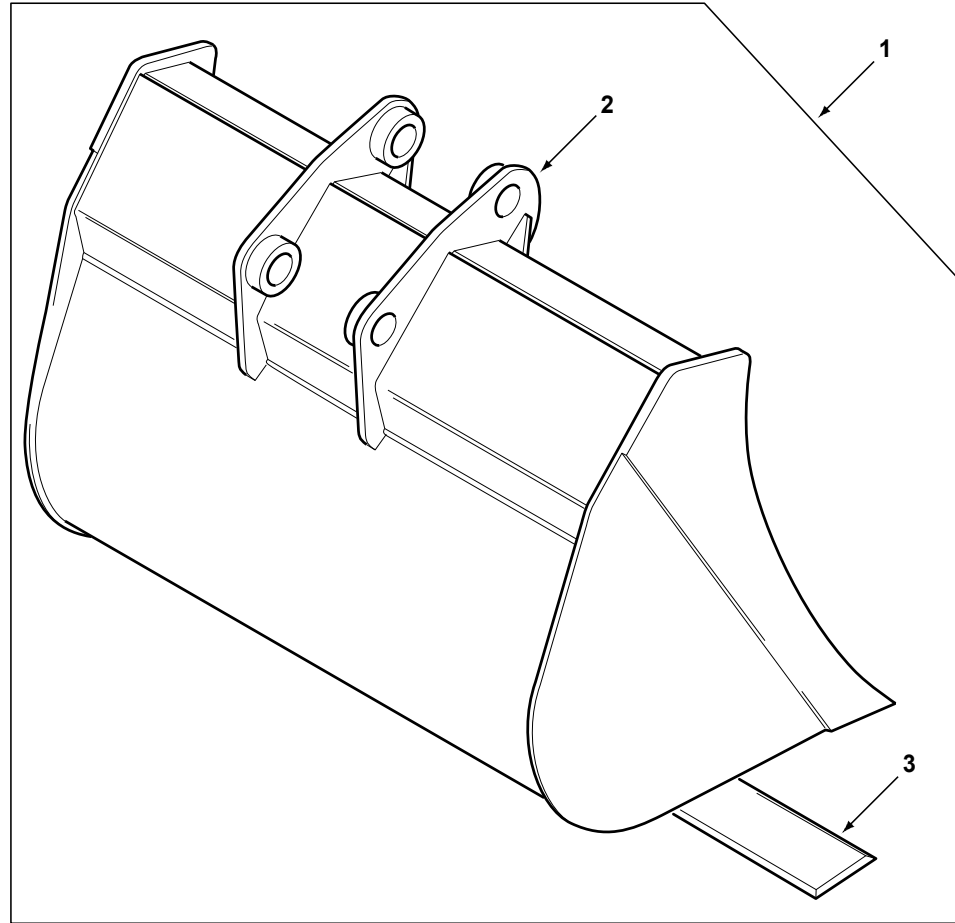


C-98088-01.1-A



Item	Part No.	Qty.	English	French	German	Spanish	Remarks
1	6102397M92	1	Bucket-Premium 900mm-Black	Godet	Ladeschaufel	Cuchara, Conj.	
2	#BUCKET	1	Bucket	Bucket	Bucket	Bucket	Ref. 1
3	6192264M1	1	Tooth & Side Cutter L/H	Lame D'Attaque	Schneidkante	Cuchilla De Ataque	
4	6192265M1	1	Tooth & Side Cutter R/H	Lame D'Attaque	Schneidkante	Cuchilla De Ataque	
5	354710X1	4	Bolt, Hex. - 3/4"Unc X 2"	Goupille	Bolzen	Perno	
6	375100X1	4	Nut - Hex. 3/4" UNC	Ecrou UNC	Mutter UNC	Tuerca	
7	#BLADE	1	Blade	Blade	Blade	Blade	Ref. 1
8	369700X1	4	Bolt, Plough Head - 3/4" UNC X 2.5" Sae5	Boulon	Masch. Schraube	Perno	
9	375100X1	4	Nut - Hex. 3/4" UNC	Ecrou UNC	Mutter UNC	Tuerca	
10	6192263M1	4	Tooth - Digger Bucket	Dent	Zahn	Diente	
11	369700X1	8	Bolt, Plough Head - 3/4" UNC X 2.5" Sae5	Boulon	Masch. Schraube	Perno	
12	375100X1	8	Nut - Hex. 3/4" UNC	Ecrou UNC	Mutter UNC	Tuerca	

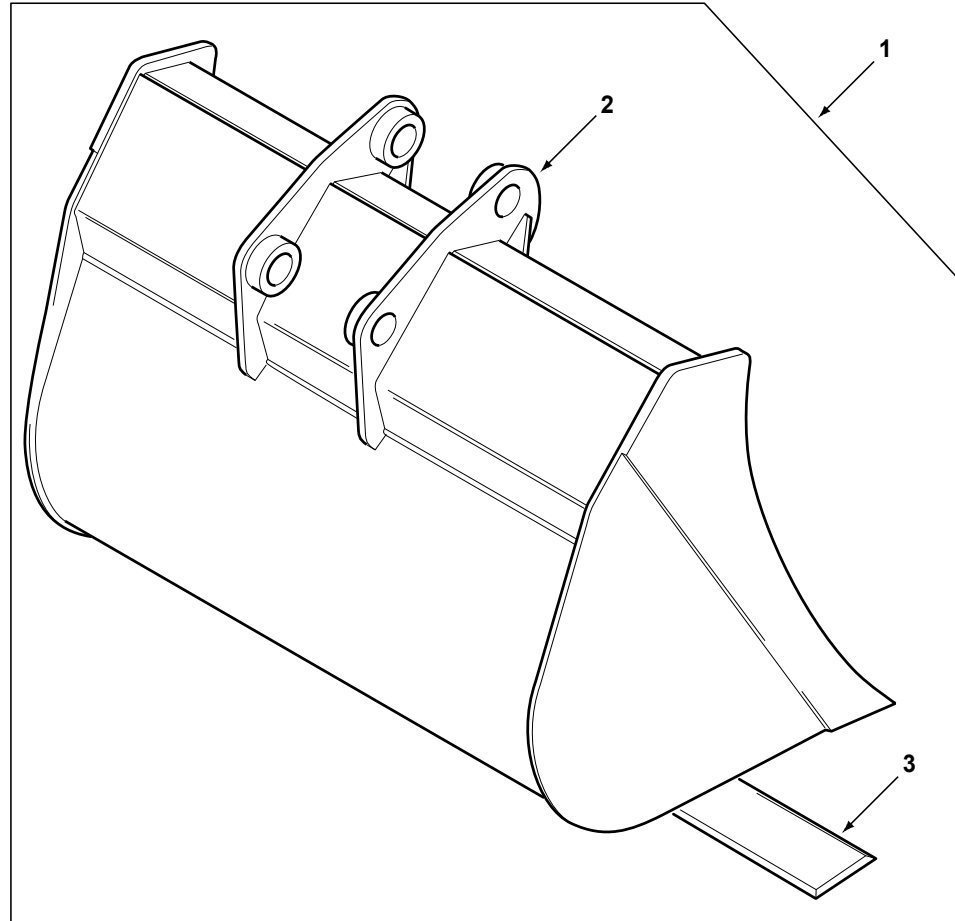
C-98089-01.1-A



Item	Part No.	Qty.	English	French	German	Spanish	Remarks
1	6102398M92	1	Bucket, Digger - 1500mm, Ditch Cleaning	Godet De Fosse	Grabenloffel	Cuchara, Conj.	
2	#BUCKET	1	Bucket	Bucket	Bucket	Bucket	Ref.1
3	#BLADE	1	Blade	Blade	Blade	Blade	Ref.1



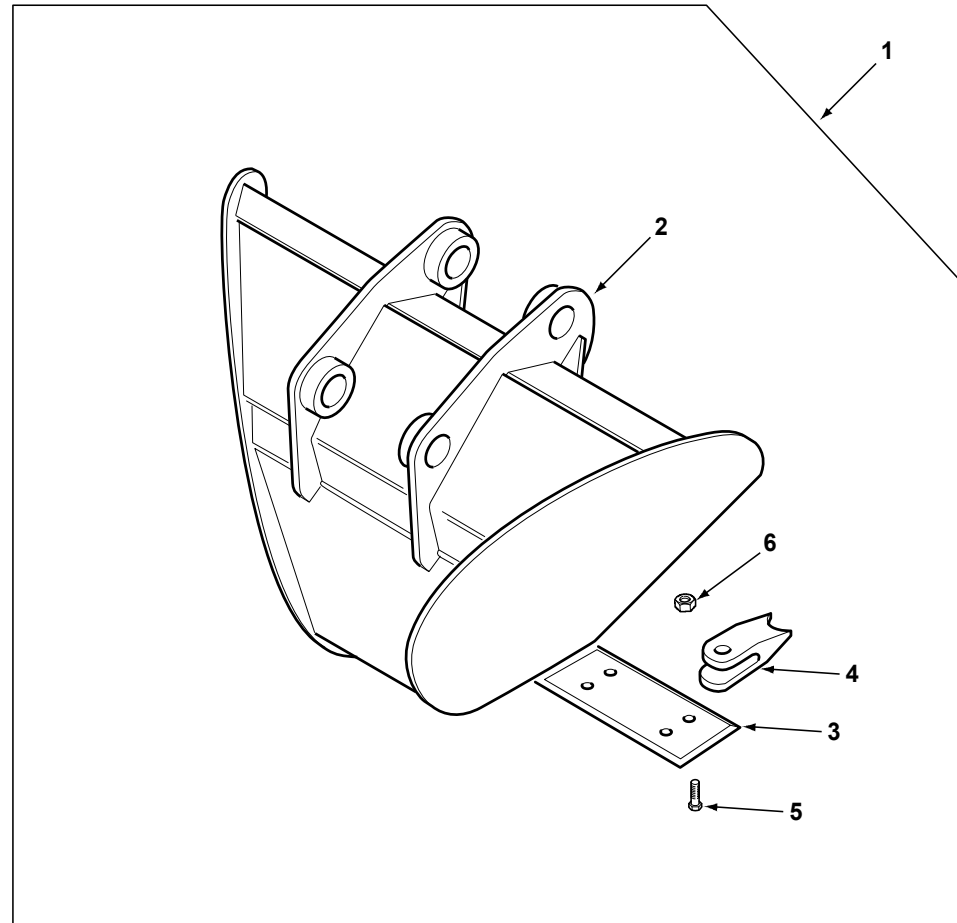
C-98090-01.1-A



Item	Part No.	Qty.	English	French	German	Spanish	Remarks
1	6102399M92	1	Bucket, Digger - 1800mm, Ditch Cleaning	Godet De Fosse	Grabenloffel	Cuchara, Conj.	
2	#BUCKET	1	Bucket	Bucket	Bucket	Bucket	Ref.1
3	#BLADE	1	Blade	Blade	Blade	Blade	Ref.1



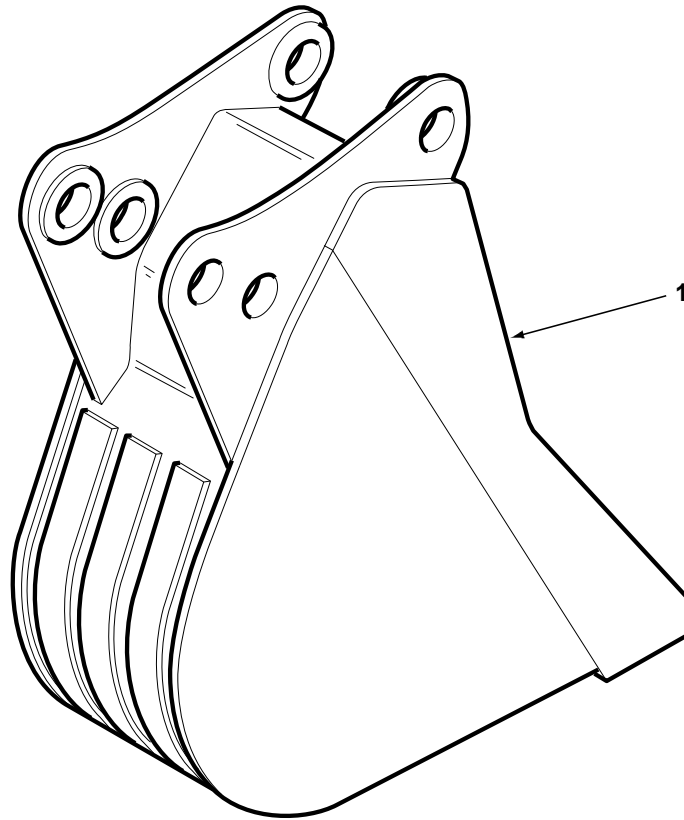
C-98096-01.1-A



Item	Part No.	Qty.	English	French	German	Spanish	Remarks
1	6102405M92	1	Bucket, Ditch Digging - Trapezoidal	Godet De Fosse	Grabenloffel	Cuchara, Conj.	
2	#BUCKET	1	Bucket	Bucket	Bucket	Bucket	
3	#BLADE	1	Blade	Blade	Blade	Blade	
4	6192263M1	2	Tooth - Digger Bucket	Dent	Zahn	Diente	
5	369700X1	4	Bolt, Plough Head - 3/4" UNC X 2.5" Sae5	Boulon	Masch. Schraube	Perno	
6	375100X1	4	Nut - Hex. 3/4" UNC	Ecrou UNC	Mutter UNC	Tuerca	



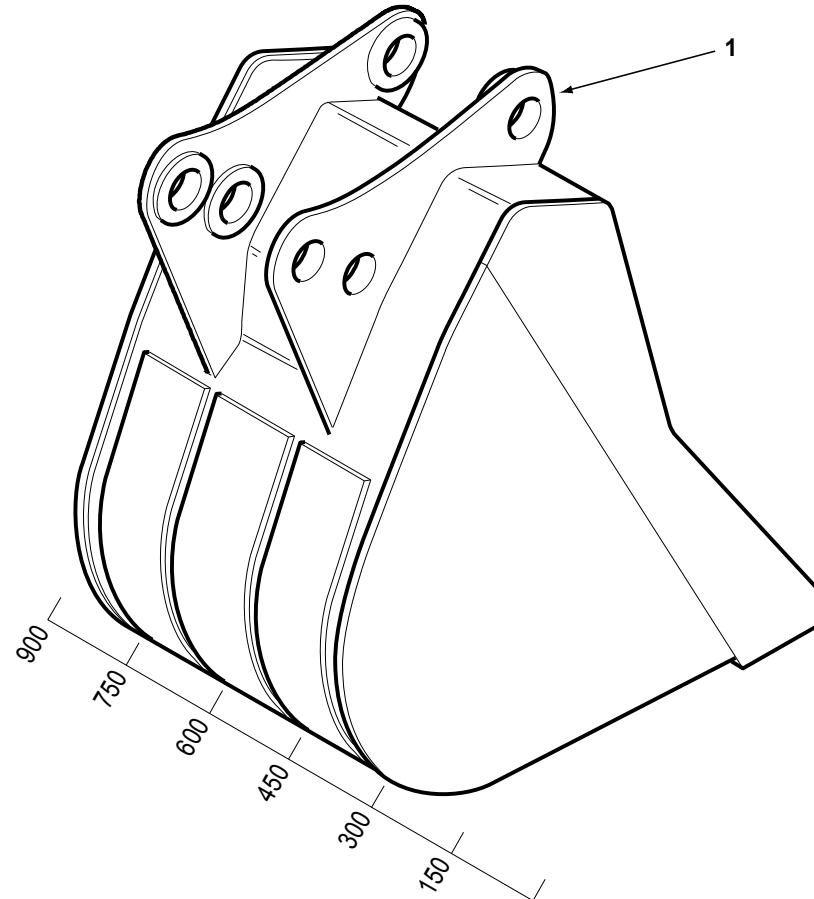
C-98097-01.1-A



Item	Part No.	Qty.	English	French	German	Spanish	Remarks
1	6108097M91	1	Bucket, Digger - 300mm,Jcb, S/Land Q/Att	Godet	Ladeschaufel	Cuchara, Conj.	



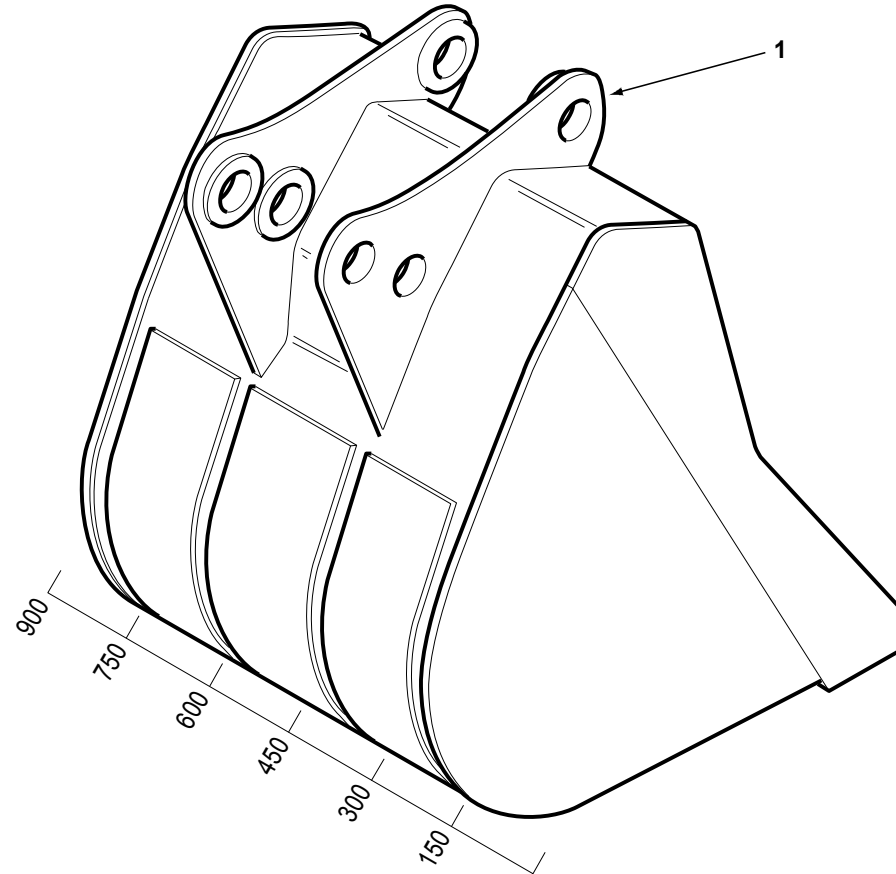
C-98098-01.1-A



Item	Part No.	Qty.	English	French	German	Spanish	Remarks
1	6108098M91	1	Bucket, Digger - Jcb,450mm,S/Land Q/Att	Godet	Ladeschaufel	Cuchara, Conj.	



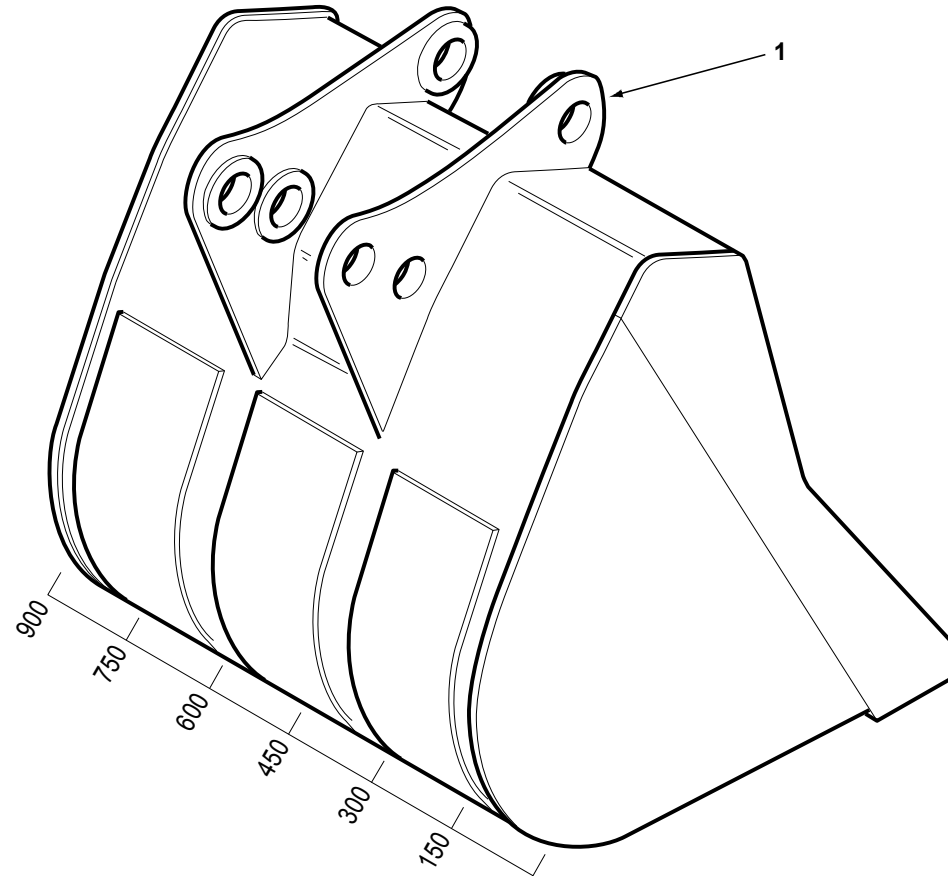
C-98099-01.1-A



Item	Part No.	Qty.	English	French	German	Spanish	Remarks
1	6108099M91	1	Bucket, Digger - 600mm,Jcb,S/Land Q/Att	Godet	Ladeschaufel	Cuchara, Conj.	



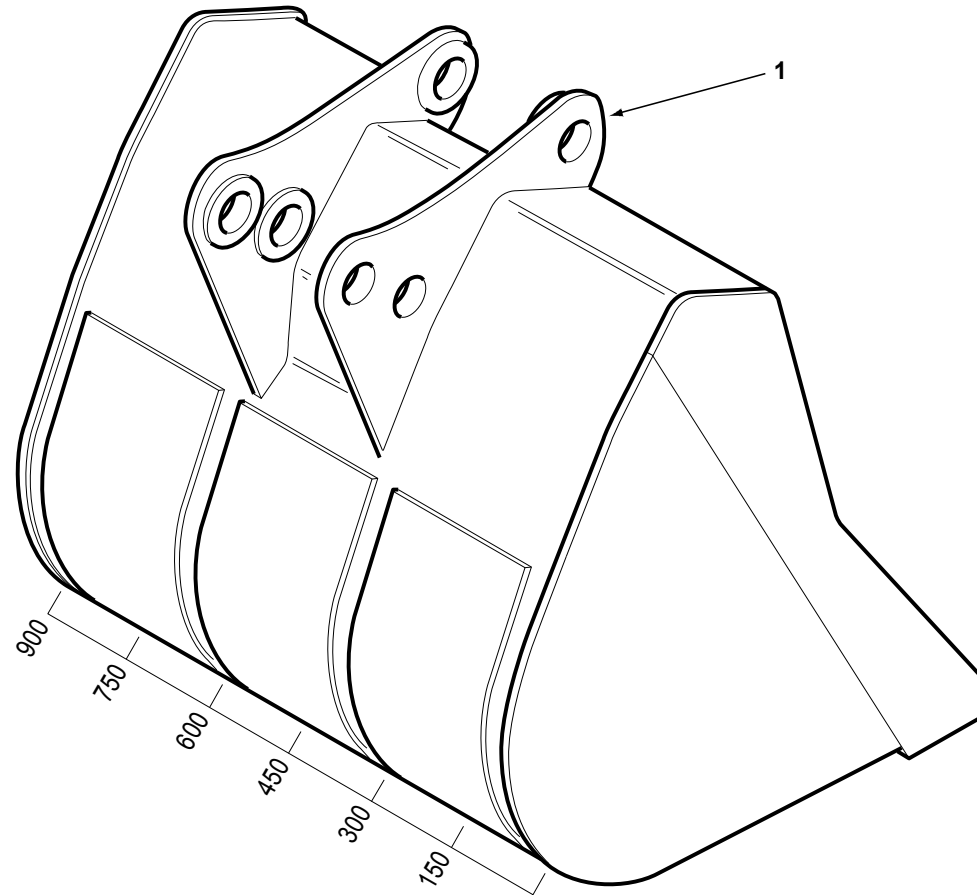
C-98100-01.1-A



Item	Part No.	Qty.	English	French	German	Spanish	Remarks
1	6108100M91	1	Bucket, Digger - 750mm,Jcb,S/Land Q/Att	Godet	Ladeschaufel	Cuchara, Conj.	



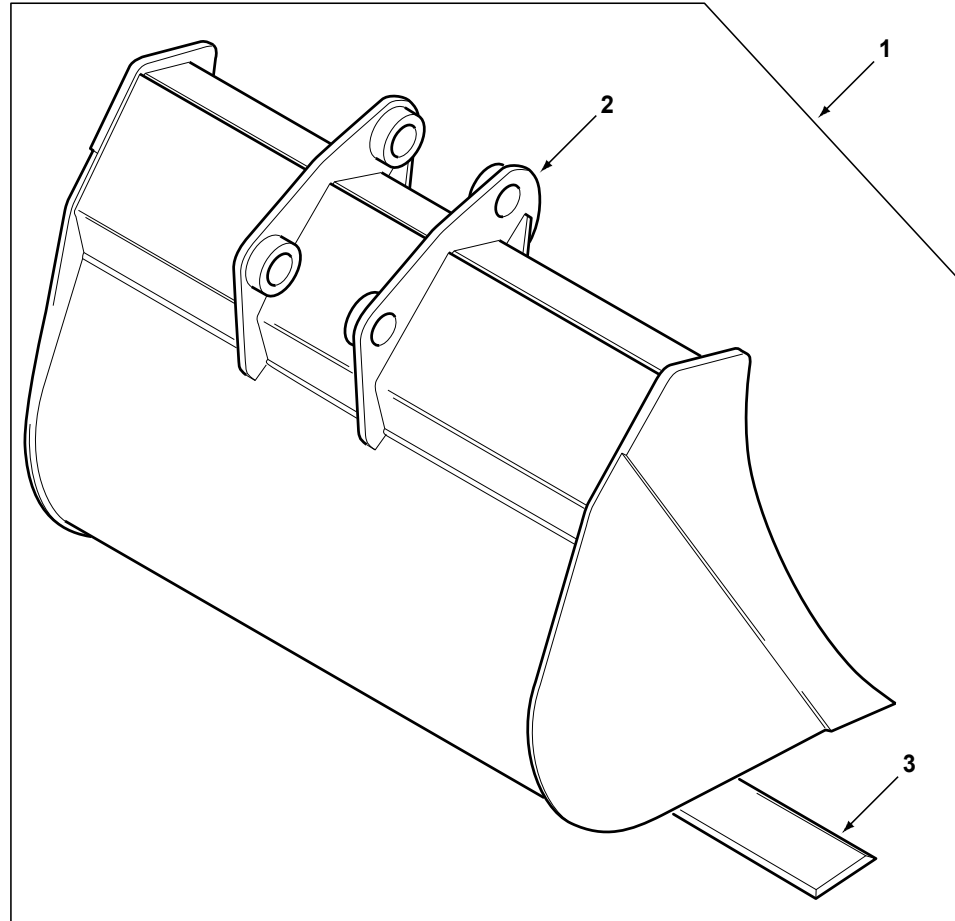
C-98101-01.1-A



Item	Part No.	Qty.	English	French	German	Spanish	Remarks
1	6108101M91	1	Bucket, Digger - 900mm,Jcb, S/Land Q/Att	Godet	Ladeschaufel	Cuchara, Conj.	



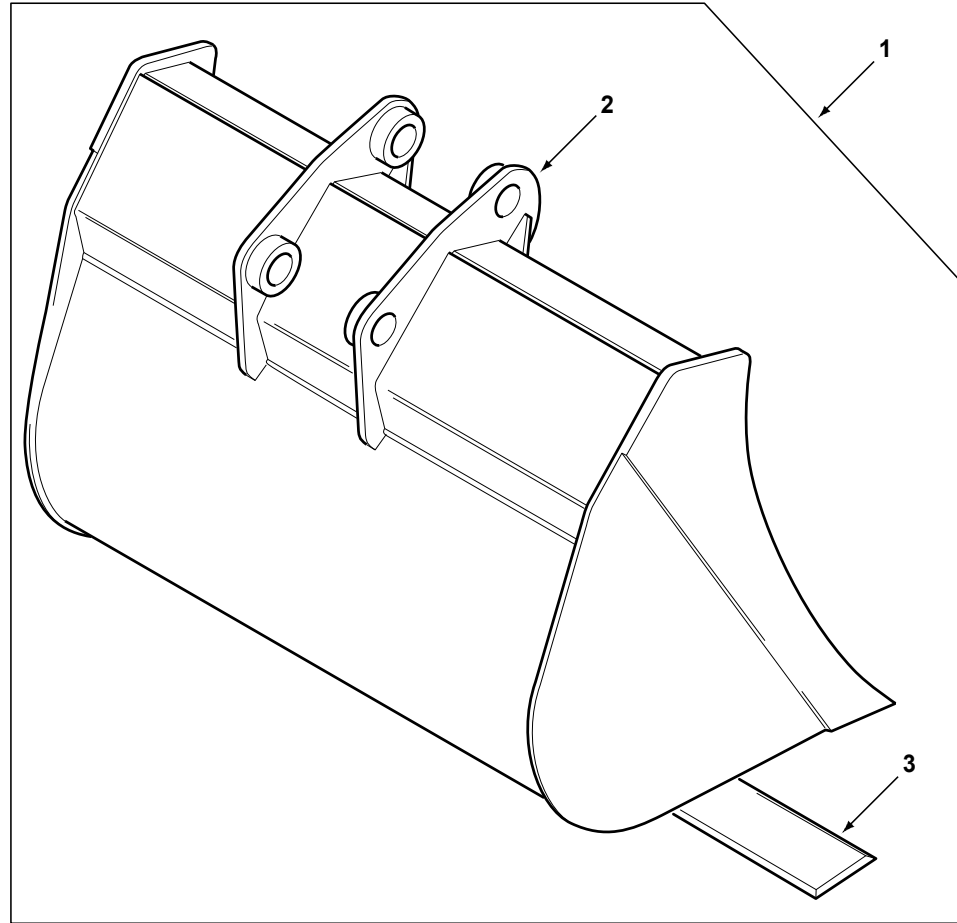
C-98102-01.1-A



Item	Part No.	Qty.	English	French	German	Spanish	Remarks
1	6108102M91	1	Bucket, Digger - 1500mm,Jcb,S/Land Q/Att	Godet	Ladeschaufel	Cuchara, Conj.	
2	#BUCKET	1	Bucket	Bucket	Bucket	Bucket	Ref. 1
3	#BLADE	1	Blade	Blade	Blade	Blade	Ref. 1



C-98103-01.1-A



Item	Part No.	Qty.	English	French	German	Spanish	Remarks
1	6108103M91	1	Bucket, Digger - 1800mm,Jcb,S/Land Q/Att	Godet	Ladeschaufel	Cuchara, Conj.	
2	#BUCKET	1	Bucket	Bucket	Bucket	Bucket	Ref. 1
3	#BLADE	1	Blade	Blade	Blade	Blade	Ref. 1

Not Illustrated

Non Illustrée

Nicht Abgebildet

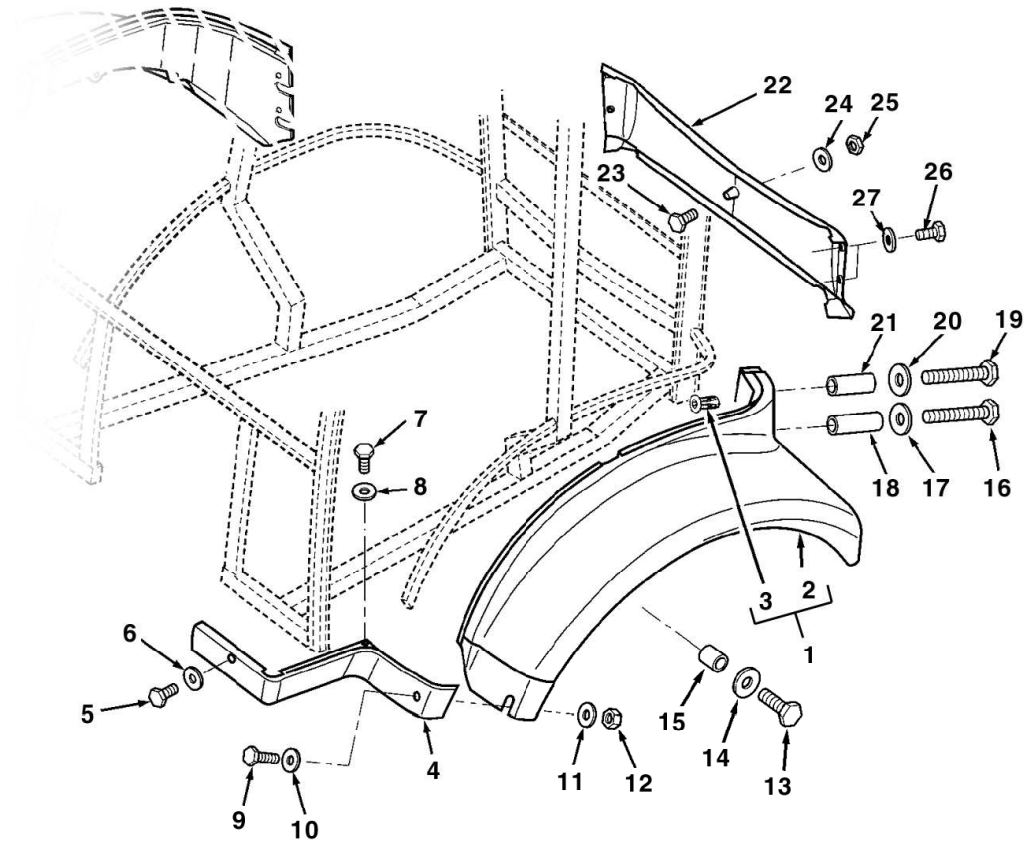
Non Illustrato

No Ilustrado

Item	Part No.	Qty.	English	French	German	Spanish	Remarks
------	----------	------	---------	--------	--------	---------	---------



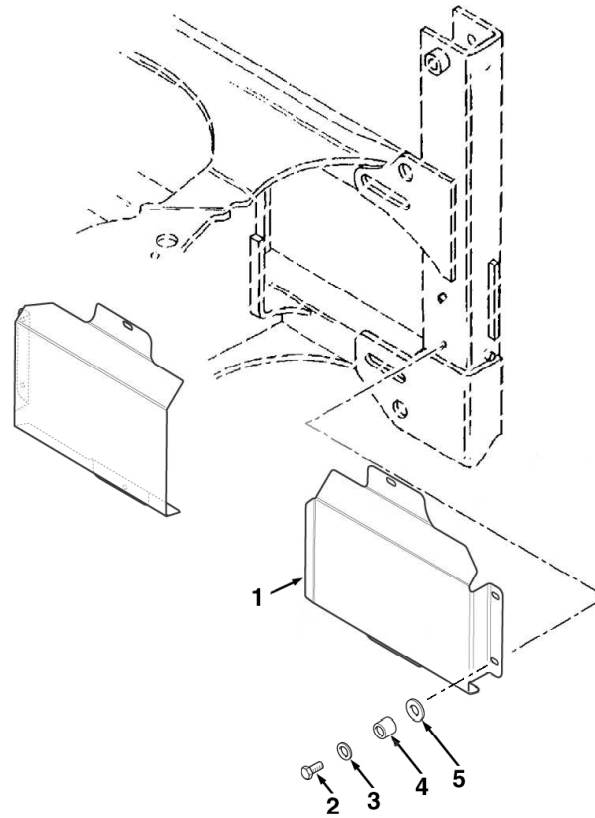
C-83001-01.1-A



Item	Part No.	Qty.	English	French	German	Spanish	Remarks
1	6101780M91	1	Fender	Aile	Flügel	Guardabarros, Conj.	Yellow
1	6101781M91	1	Fender Assy. RH	Ensemble D'Aile	Kot•ügel-Kpl.	Guardabarros, Conj.	Yellow
2	#FENDER	1	Fender	Fender	Fender	Fender	Ref. 1
3	6101246M1	2	Jack Nut M6	Ecrou	Mutter	Tuerca Especial	
4	6099517M1	1	Panel	Panneau	Deckblech	Pieza De Apoyo	Yellow
4	6099516M1	1	Sill Panel LH	Rebord	Schwelle, Trittbrett	Pieza De Apoyo	Yellow
5	840-1620	2	Screw-Pan Head M6x20lg	Vis	Schraube	Tornillo	
6	390971X1	2	Washer M6-12-1 Zwl	Rondelle - M6	Scheibe - M6	Arandela	
7	6108652M1	2	Screw - M6 X 20lg Posi Head.	Vis	Schraube	Tornillo	
8	390972X1	2	Washer M8-17-1 Zwl	Rondelle M8	Scheibe - M8	Arandela	
9	3008229X1	2	Pan Hd.Screw M6 X 30	Vis	Schraube	Tornillo	
10	390971X1	2	Washer M6-12-1 Zwl	Rondelle - M6	Scheibe - M6	Arandela	
11	6102079M1	2	Washer	Rondelle	Scheibe	Arandela	
12	1441500X1	2	Nut M6 Z5 Nyloc	Ecrou	Flachmutter M6	Tuerca De Retención	
13	339009X1	8	Bolt - M8 X 35	Boulon M8 X 35	Maschschraube M8	Tornillo	
14	391039X1	8	Washer M8-24-2 Z	Rondelle M8	Scheibe M8	Arandela	
15	6101730M1	8	Spacer	Entretoise	Distanzstück	Traviesa	July 2007
16	339891X1	2	Bolt M8-80 Z5s	Boulon M8 X 80	Maschschraube M8	Tornillo	
17	391039X1	2	Washer M8-24-2 Z	Rondelle M8	Scheibe M8	Arandela	
18	6101732M2	2	Spacer-Rear Fender	Entretoise	Distanzstück	Traviesa	July 2007
19	339891X1	2	Bolt M8-80 Z5s	Boulon M8 X 80	Maschschraube M8	Tornillo	
20	391039X1	2	Washer M8-24-2 Z	Rondelle M8	Scheibe M8	Arandela	
21	6101731M2	2	Spacer-Rear Fender	Entretoise	Distanzstück	Traviesa	July 2007
22	6099515M1	1	Rear Panel	Panneau	Deckblech	Panel	Yellow
23	339804X1	1	Bolt, Hex, - M6 X 25	Goupille	Maschschrb Metr - M6	Tornillo	
24	391038X1	1	Washer M6 - Large Zinc Hardened	Rondelle	Scheibe	Arandela	
25	1441500X1	1	Nut M6 Z5 Nyloc	Ecrou	Flachmutter M6	Tuerca De Retención	
26	840-1620	4	Screw-Pan Head M6x20lg	Vis	Schraube	Tornillo	
27	391038X1	4	Washer M6 - Large Zinc Hardened	Rondelle	Scheibe	Arandela	



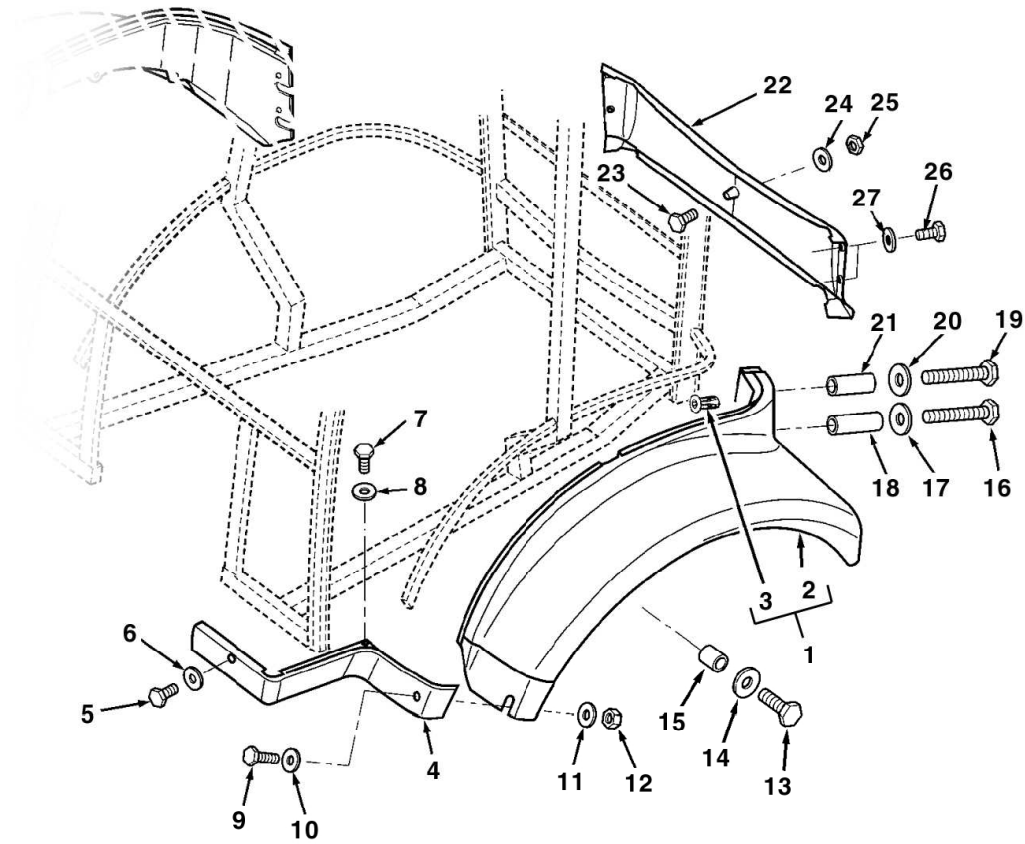
C-83001-02.1-A



Item	Part No.	Qty.	English	French	German	Spanish	Remarks
1	6109661M1	1	Mudguard LH Unpainted	Garde-Boue	Schmutzabweiser	Guardafango	
1	6109662M1	1	Mudguard RH Unpainted	Garde-Boue	Schmutzabweiser	Guardafango	
2	339124X1	8	Bolt M8-16 Z5f	Goupille	Maschschrb Metr - M8	Tornillo	
3	390972X1	8	Washer M8-17-1 Zwl	Rondelle M8	Scheibe - M8	Arandela	
4	6101892M1	8	Spacer-Nylon	Entretoise	Distanzstück	Traviesa	
5	390735X1	8	Washer M12-24-2 Z	Rondelle	Scheibe - M12	Arandela	



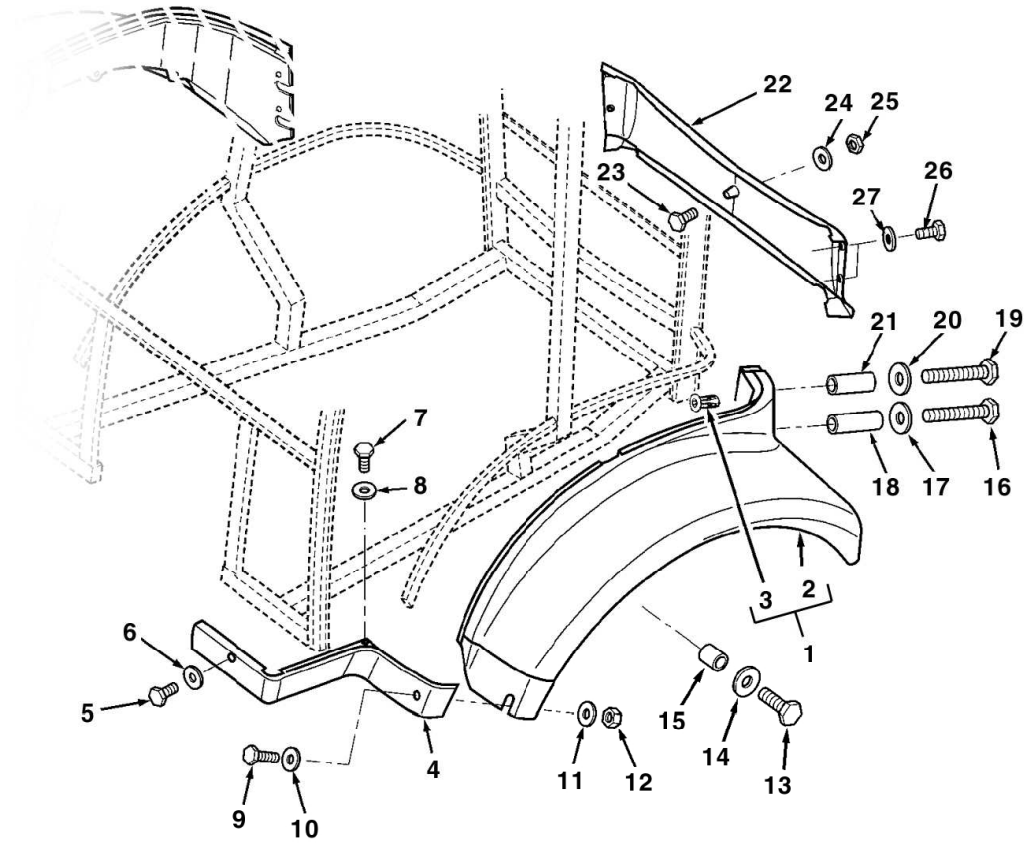
C-83004-01.1-A



Item	Part No.	Qty.	English	French	German	Spanish	Remarks
1	6101780M91	1	Fender	Aile	Flügel	Guardabarros, Conj.	Yellow
1	6101781M91	1	Fender Assy. RH	Ensemble D'Aile	Kot•ügel-Kpl.	Guardabarros, Conj.	Yellow
2	#FENDER	1	Fender	Fender	Fender	Fender	Ref. 1
3	6101246M1	2	Jack Nut M6	Ecrou	Mutter	Tuerca Especial	
4	6099517M1	1	Panel	Panneau	Deckblech	Pieza De Apoyo	Yellow
4	6099516M1	1	Sill Panel LH	Rebord	Schwelle, Trittbrett	Pieza De Apoyo	Yellow
5	840-1620	2	Screw-Pan Head M6x20lg	Vis	Schraube	Tornillo	
6	390971X1	2	Washer M6-12-1 Zwl	Rondelle - M6	Scheibe - M6	Arandela	
7	6108652M1	2	Screw - M6 X 20lg Posi Head.	Vis	Schraube	Tornillo	
8	390972X1	2	Washer M8-17-1 Zwl	Rondelle M8	Scheibe - M8	Arandela	
9	3008229X1	2	Pan Hd.Screw M6 X 30	Vis	Schraube	Tornillo	
10	390971X1	2	Washer M6-12-1 Zwl	Rondelle - M6	Scheibe - M6	Arandela	
11	6102079M1	2	Washer	Rondelle	Scheibe	Arandela	
12	1441500X1	2	Nut M6 Z5 Nylloc	Ecrou	Flachmutter M6	Tuerca De Retención	
13	339009X1	8	Bolt - M8 X 35	Boulon M8 X 35	Maschschraube M8	Tornillo	
14	391039X1	8	Washer M8-24-2 Z	Rondelle M8	Scheibe M8	Arandela	
15	6101730M1	8	Spacer	Entretoise	Distanzstück	Traviesa	July 2007
16	339891X1	2	Bolt M8-80 Z5s	Boulon M8 X 80	Maschschraube M8	Tornillo	
17	391039X1	2	Washer M8-24-2 Z	Rondelle M8	Scheibe M8	Arandela	
18	6101732M2	2	Spacer-Rear Fender	Entretoise	Distanzstück	Traviesa	July 2007
19	339891X1	2	Bolt M8-80 Z5s	Boulon M8 X 80	Maschschraube M8	Tornillo	
20	391039X1	2	Washer M8-24-2 Z	Rondelle M8	Scheibe M8	Arandela	
21	6101731M2	2	Spacer-Rear Fender	Entretoise	Distanzstück	Traviesa	July 2007
22	6099515M1	1	Rear Panel	Panneau	Deckblech	Panel	Yellow
23	339804X1	1	Bolt, Hex, - M6 X 25	Goupille	Maschschrb Metr - M6	Tornillo	
24	391038X1	1	Washer M6 - Large Zinc Hardened	Rondelle	Scheibe	Arandela	
25	1441500X1	1	Nut M6 Z5 Nylloc	Ecrou	Flachmutter M6	Tuerca De Retención	
26	840-1620	4	Screw-Pan Head M6x20lg	Vis	Schraube	Tornillo	
27	391038X1	4	Washer M6 - Large Zinc Hardened	Rondelle	Scheibe	Arandela	



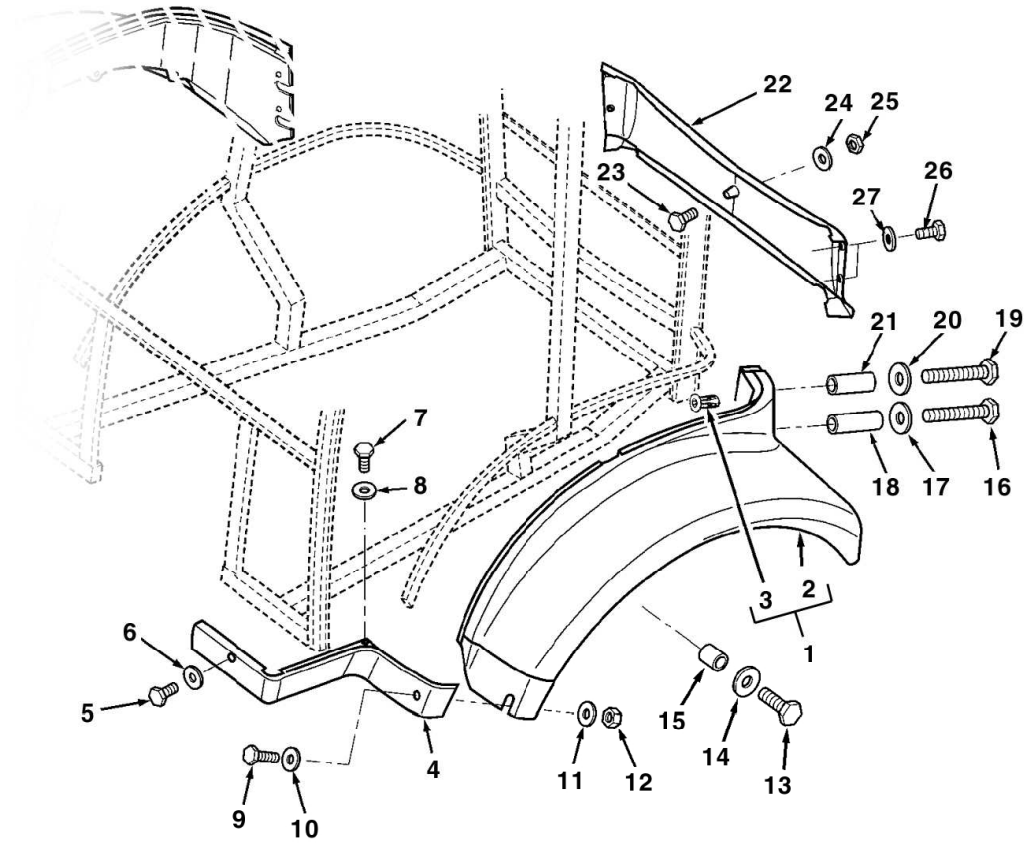
C-83007-01.1-A



Item	Part No.	Qty.	English	French	German	Spanish	Remarks
1	6107970M91	1	Rear Fender LH	Ensemble D&Aile	Kot*ügel-Kpl.	Guardabarros, Conj.	Grey
1	6107968M91	1	Fender Rear RH 2ws Terex	Ensemble D&Aile	Kot*ügel-Kpl.	Guardabarros, Conj.	Grey
2	#FENDER	1	Fender	Fender	Fender	Fender	Ref. 1
3	6101246M1	2	Jack Nut M6	Ecrou	Mutter	Tuerca Especial	
4	6099547M1	1	Panel Sill LH	Rebord	Schwelle, Trittbrett	Pieza De Apoyo	Grey
4	6099548M1	1	Panel-Rh Sill	Rebord	Schwelle, Trittbrett	Pieza De Apoyo	Grey
5	840-1620	2	Screw-Pan Head M6x20lg	Vis	Schraube	Tornillo	
6	390971X1	2	Washer M6-12-1 Zwl	Rondelle - M6	Scheibe - M6	Arandela	
7	6108652M1	2	Screw - M6 X 20lg Posi Head.	Vis	Schraube	Tornillo	
8	390972X1	2	Washer M8-17-1 Zwl	Rondelle M8	Scheibe - M8	Arandela	
9	3008229X1	2	Pan Hd.Screw M6 X 30	Vis	Schraube	Tornillo	
10	390971X1	2	Washer M6-12-1 Zwl	Rondelle - M6	Scheibe - M6	Arandela	
11	6102079M1	2	Washer	Rondelle	Scheibe	Arandela	
12	1441500X1	2	Nut M6 Z5 Nyloc	Ecrou	Flachmutter M6	Tuerca De Retención	
13	339009X1	8	Bolt - M8 X 35	Boulon M8 X 35	Maschschraube M8	Tornillo	
14	391039X1	8	Washer M8-24-2 Z	Rondelle M8	Scheibe M8	Arandela	
15	6101730M1	8	Spacer	Entretoise	Distanzstück	Traviesa	July 2007
16	339891X1	2	Bolt M8-80 Z5s	Boulon M8 X 80	Maschschraube M8	Tornillo	
17	391039X1	2	Washer M8-24-2 Z	Rondelle M8	Scheibe M8	Arandela	
18	6101732M2	2	Spacer-Rear Fender	Entretoise	Distanzstück	Traviesa	July 2007
19	339891X1	2	Bolt M8-80 Z5s	Boulon M8 X 80	Maschschraube M8	Tornillo	
20	391039X1	2	Washer M8-24-2 Z	Rondelle M8	Scheibe M8	Arandela	
21	6101731M2	2	Spacer-Rear Fender	Entretoise	Distanzstück	Traviesa	July 2007
22	6099557M1	1	Rear Panel	Panneau	Deckblech	Panel	Grey
23	339804X1	1	Bolt, Hex, - M6 X 25	Goupille	Maschschrb Metr - M6	Tornillo	
24	391038X1	1	Washer M6 - Large Zinc Hardened	Rondelle	Scheibe	Arandela	
25	1441500X1	1	Nut M6 Z5 Nyloc	Ecrou	Flachmutter M6	Tuerca De Retención	
26	840-1620	4	Screw-Pan Head M6x20lg	Vis	Schraube	Tornillo	
27	391038X1	4	Washer M6 - Large Zinc Hardened	Rondelle	Scheibe	Arandela	



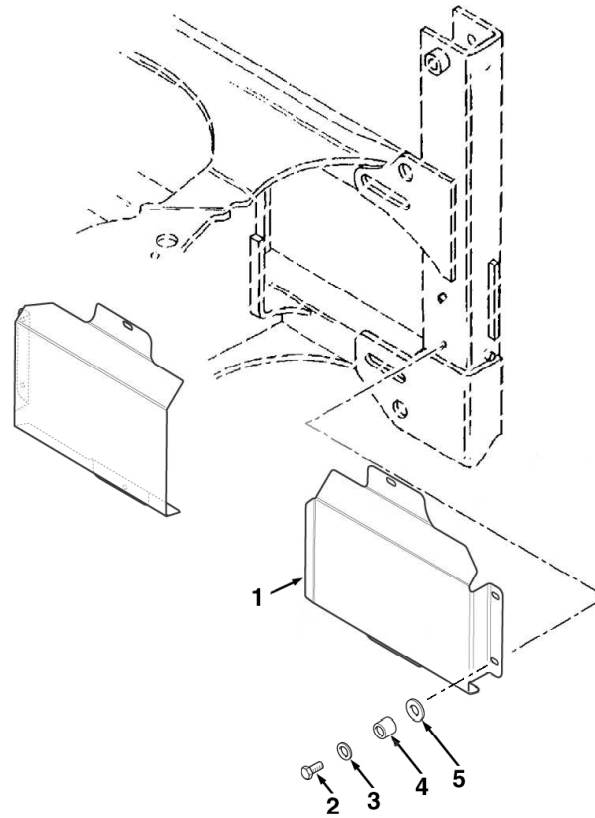
C-83008-01.1-A



Item	Part No.	Qty.	English	French	German	Spanish	Remarks
1	6107970M91	1	Rear Fender LH	Ensemble D&Aile	Kot*ügel-Kpl.	Guardabarros, Conj.	Grey
1	6107968M91	1	Fender Rear RH 2ws Terex	Ensemble D&Aile	Kot*ügel-Kpl.	Guardabarros, Conj.	Grey
2	#FENDER	1	Fender	Fender	Fender	Fender	Ref. 1
3	6101246M1	2	Jack Nut M6	Ecrou	Mutter	Tuerca Especial	
4	6099548M1	1	Panel-Rh Sill	Rebord	Schwelle, Trittbrett	Pieza De Apoyo	Grey
4	6099547M1	1	Panel Sill LH	Rebord	Schwelle, Trittbrett	Pieza De Apoyo	Grey
5	840-1620	2	Screw-Pan Head M6x20lg	Vis	Schraube	Tornillo	
6	390971X1	2	Washer M6-12-1 Zwl	Rondelle - M6	Scheibe - M6	Arandela	
7	6108652M1	2	Screw - M6 X 20lg Posi Head.	Vis	Schraube	Tornillo	
8	390972X1	2	Washer M8-17-1 Zwl	Rondelle M8	Scheibe - M8	Arandela	
9	3008229X1	2	Pan Hd.Screw M6 X 30	Vis	Schraube	Tornillo	
10	390971X1	2	Washer M6-12-1 Zwl	Rondelle - M6	Scheibe - M6	Arandela	
11	6102079M1	2	Washer	Rondelle	Scheibe	Arandela	
12	1441500X1	2	Nut M6 Z5 Nyloc	Ecrou	Flachmutter M6	Tuerca De Retención	
13	339009X1	8	Bolt - M8 X 35	Boulon M8 X 35	Maschschraube M8	Tornillo	
14	391039X1	8	Washer M8-24-2 Z	Rondelle M8	Scheibe M8	Arandela	
15	6101730M1	8	Spacer	Entretoise	Distanzstück	Traviesa	July 2007
16	339891X1	2	Bolt M8-80 Z5s	Boulon M8 X 80	Maschschraube M8	Tornillo	
17	391039X1	2	Washer M8-24-2 Z	Rondelle M8	Scheibe M8	Arandela	
18	6101732M2	2	Spacer-Rear Fender	Entretoise	Distanzstück	Traviesa	July 2007
19	339891X1	2	Bolt M8-80 Z5s	Boulon M8 X 80	Maschschraube M8	Tornillo	
20	391039X1	2	Washer M8-24-2 Z	Rondelle M8	Scheibe M8	Arandela	
21	6101731M2	2	Spacer-Rear Fender	Entretoise	Distanzstück	Traviesa	July 2007
22	6099557M1	1	Rear Panel	Panneau	Deckblech	Panel	Grey
23	339804X1	1	Bolt, Hex, - M6 X 25	Goupille	Maschschrb Metr - M6	Tornillo	
24	391038X1	1	Washer M6 - Large Zinc Hardened	Rondelle	Scheibe	Arandela	
25	1441500X1	1	Nut M6 Z5 Nyloc	Ecrou	Flachmutter M6	Tuerca De Retención	
26	840-1620	4	Screw-Pan Head M6x20lg	Vis	Schraube	Tornillo	
27	391038X1	4	Washer M6 - Large Zinc Hardened	Rondelle	Scheibe	Arandela	



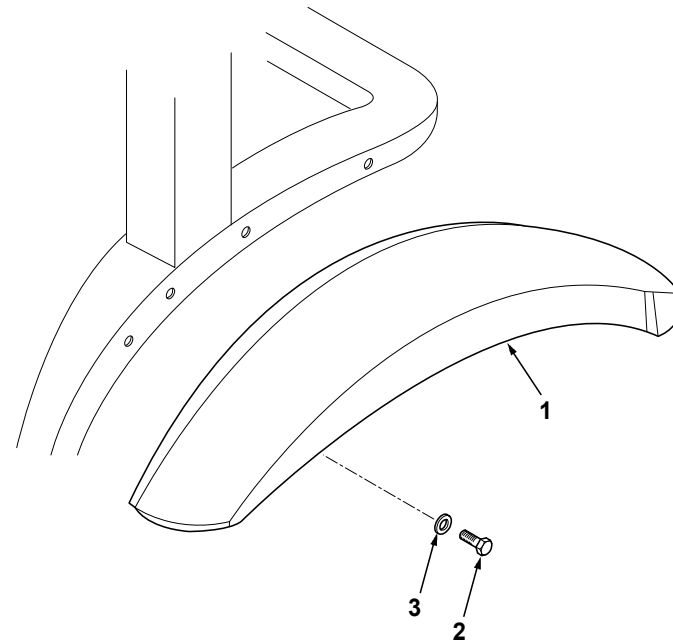
C-83008-02.1-A



Item	Part No.	Qty.	English	French	German	Spanish	Remarks
1	6109661M1	1	Mudguard LH Unpainted	Garde-Boue	Schmutzabweiser	Guardafango	
1	6109662M1	1	Mudguard RH Unpainted	Garde-Boue	Schmutzabweiser	Guardafango	
2	339124X1	8	Bolt M8-16 Z5f	Goupille	Maschschrb Metr - M8	Tornillo	
3	390972X1	8	Washer M8-17-1 Zwl	Rondelle M8	Scheibe - M8	Arandela	
4	6101892M1	8	Spacer-Nylon	Entretoise	Distanzstück	Traviesa	
5	390735X1	8	Washer M12-24-2 Z	Rondelle	Scheibe - M12	Arandela	



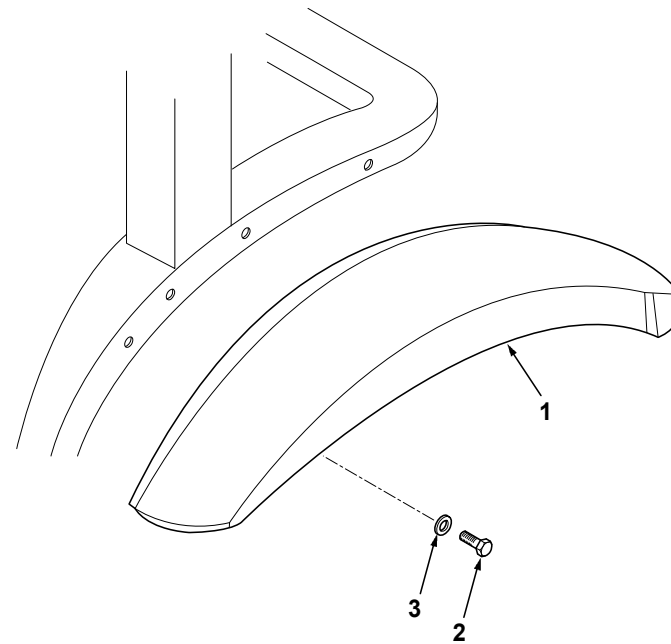
C-83009-01.1-A



Item	Part No.	Qty.	English	French	German	Spanish	Remarks
1	6109035M1	1	R.H. Fender (Narrow)	Aile	Stoßfänger, Kot•ügel	Aleta	
1	6109034M1	1	L.H. Fender (Narrow)	Aile	Stoßfänger, Kot•ügel	Aleta	
2	339124X1	12	Bolt M8-16 Z5f	Goupille	Maschschrb Metr - M8	Tornillo	
3	391039X1	12	Washer M8-24-2 Z	Rondelle M8	Scheibe M8	Arandela	



C-83010-01.1-A



Item	Part No.	Qty.	English	French	German	Spanish	Remarks
1	6109037M1	1	R.H. Fender (Wide)	Aile	Stoßfänger, Kot•ügel	Aleta	
1	6109036M1	1	L.H. Fender (Wide)	Aile	Stoßfänger, Kot•ügel	Aleta	
2	339124X1	12	Bolt M8-16 Z5f	Goupille	Maschschrb Metr - M8	Tornillo	
3	391039X1	12	Washer M8-24-2 Z	Rondelle M8	Scheibe M8	Arandela	

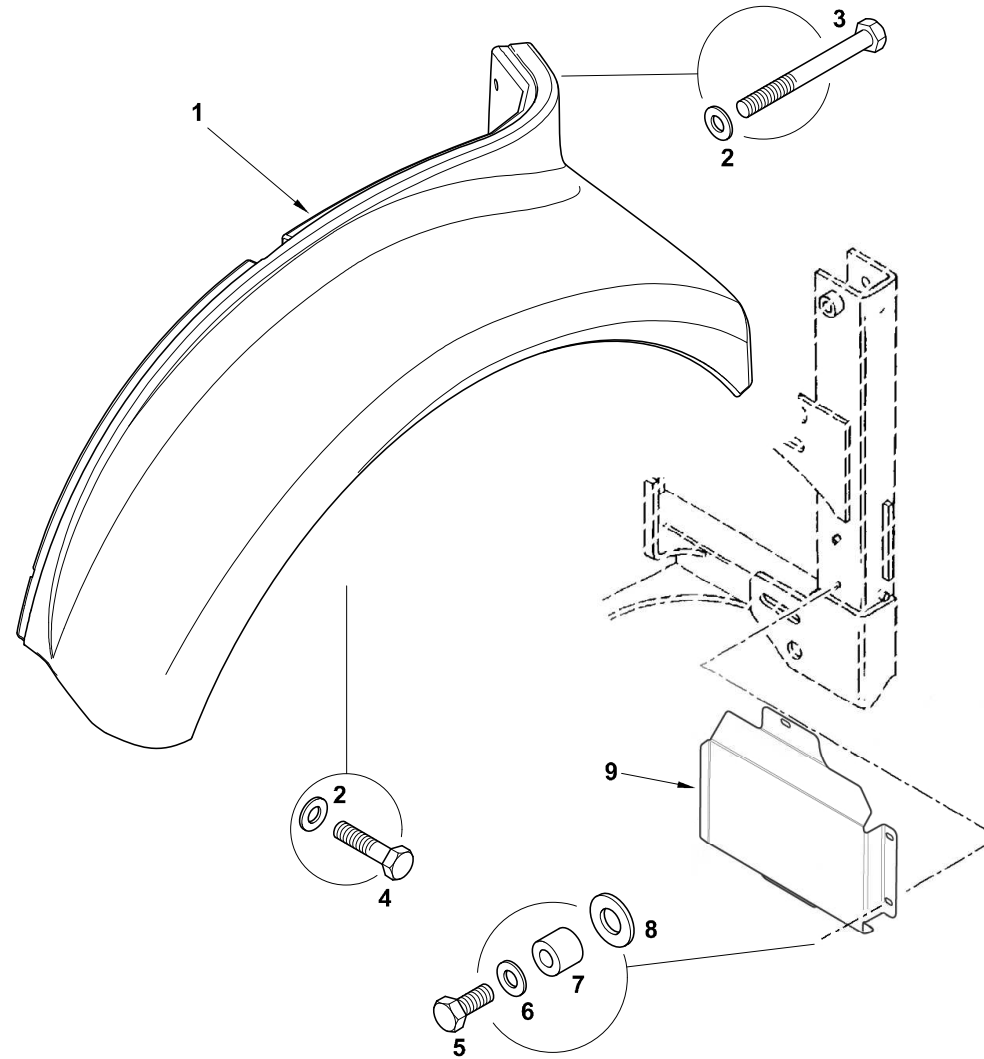


Not Serviced

THIS PAGE INTENTIONALLY LEFT BLANK



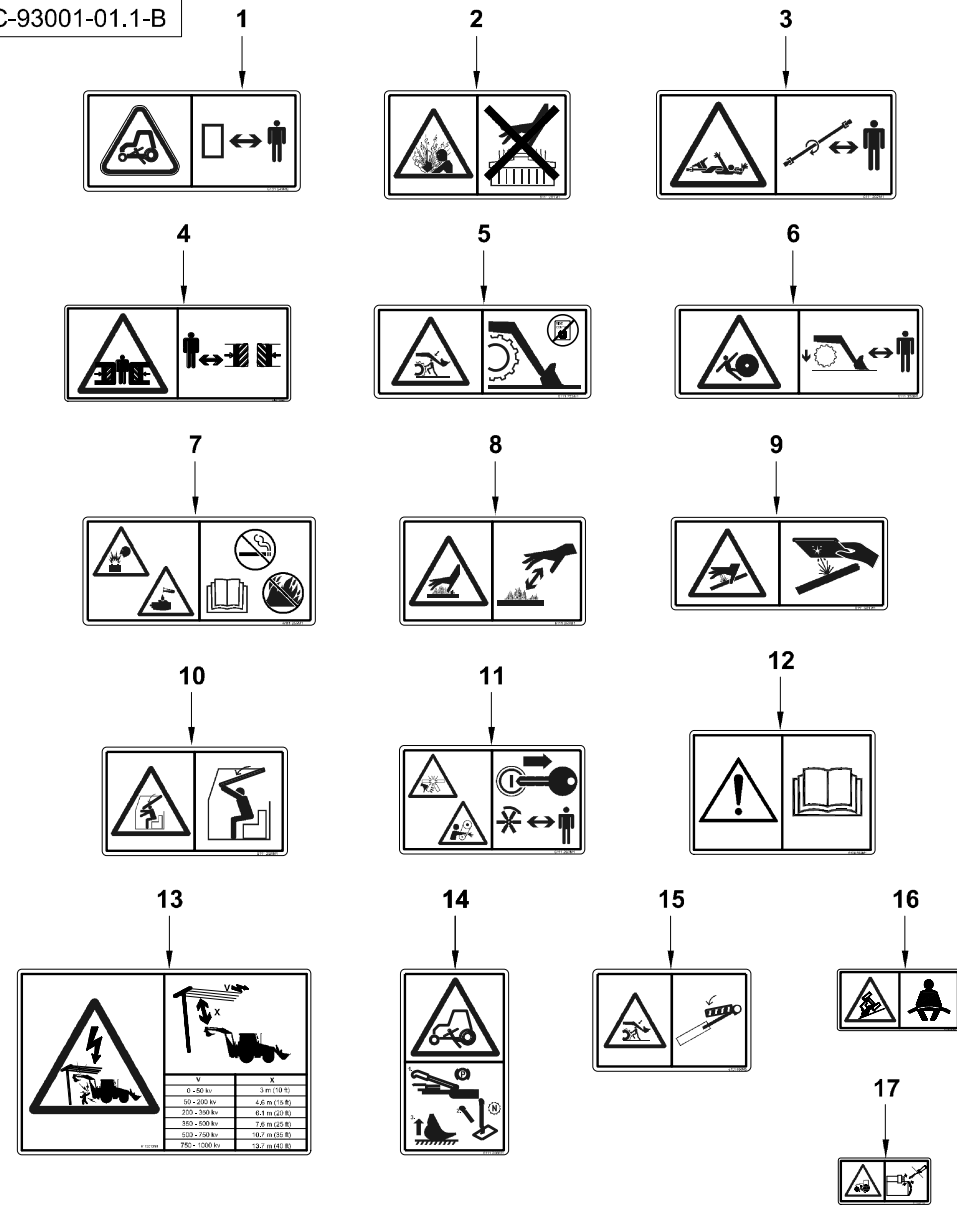
C-83018-01.1-A



Item	Part No.	Qty.	English	French	German	Spanish	Remarks
1	T101154	1	Fender Rear - 2ws - LH - Black	Aile	Kot*ugel	Guardabarros	
1	T101153	1	Fender Rear - 2ws - RH - Black	Aile	Kot*ugel	Guardabarros	
2	391039X1	12	Washer M8-24-2 Z	Rondelle M8	Scheibe M8	Arandela	
3	339891X1	4	Bolt M8-80 Z5s	Boulon M8 X 80	Maschschraube M8	Tornillo	
4	339009X1	8	Bolt - M8 X 35	Boulon M8 X 35	Maschschraube M8	Tornillo	
5	339124X1	8	Bolt M8-16 Z5f	Goupille	Maschschrb Metr - M8	Tornillo	
6	390972X1	8	Washer M8-17-1 Zwel	Rondelle M8	Scheibe - M8	Arandela	
7	6101892M1	8	Spacer-Nylon	Entretoise	Distanzstück	Traviesa	
8	390735X1	8	Washer M12-24-2 Z	Rondelle	Scheibe - M12	Arandela	
9	6109662M1GY03	1	Mudguard Rear RH - (Terex Grey)	Garde-Boue	Schmutzabweiser	Mudguard Rear RH - (Terex Grey)	
9	6109661M1GY03	1	Mudguard Rear LH - (Terex Grey)	Garde-Boue	Schmutzabweiser	Mudguard Rear LH - (Terex Grey)	



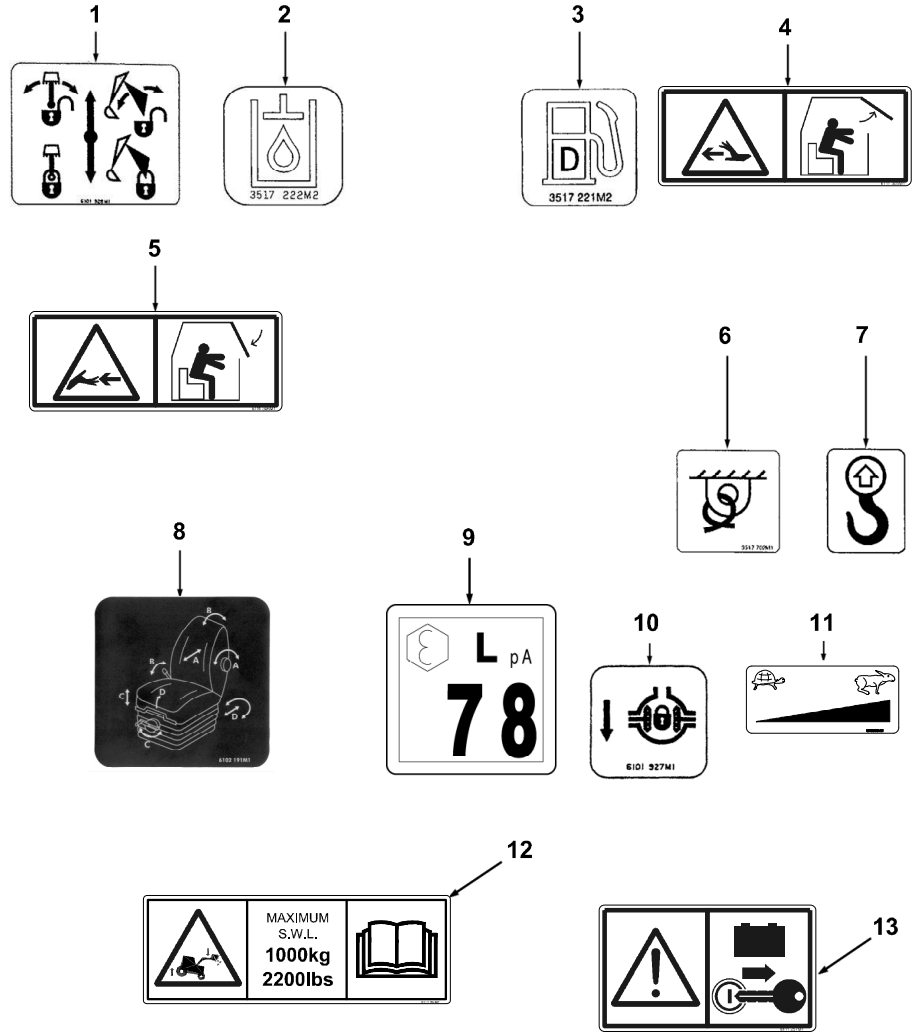
C-93001-01.1-B



Item	Part No.	Qty.	English	French	German	Spanish	Remarks
1	6101949M2	4	Decal Stay A Safe Distance	Adhésif	Aufkleber	Adhesivo	
2	6111261M1	1	Decal - Radiator (Warning)	Adhésif	Aufkleber	Adhesivo	
3	6111262M1	2	Decal - Warning (Rotating Parts)	Adhésif	Aufkleber	Adhesivo	
4	6102056M2	2	Decal - Warning (Avoid Crushing)	Adhésif	Aufkleber	Adhesivo	
5	6111253M2	2	Decal - Avoid Crush	Adhésif	Aufkleber	Adhesivo	
6	6111358M1	2	Decal - Avoid Crush	Adhésif	Aufkleber	Adhesivo	
7	6111255M1	1	Decal - Battery	Adhésif	Aufkleber	Adhesivo	
8	6111259M1	1	Decal - Exhaust (Warning)	Adhésif	Aufkleber	Adhesivo	
9	6111361M1	2	Decal - Injection Skin	Adhésif	Aufkleber	Adhesivo	
10	6111258M1	1	Decal- Support Glass	Adhésif	Aufkleber	Adhesivo	
11	6111260M1	1	Decal- Fan (Warning)	Adhésif	Aufkleber	Adhesivo	
12	6108692M1	1	Decal - Operators Instruction Book	Adhésif	Aufkleber	Adhesivo	
13	6112013M1	1	Decal Electrocutation Hazard ISO	Adhésif	Aufkleber	Adhesivo	
14	6111256M1	1	Decal - Select Neutral	Adhésif	Aufkleber	Adhesivo	
15	6101950M3	2	Decal - Warning (Safety Strut)	Adhésif	Aufkleber	Adhesivo	
16	6101952M3	1	Decal-Avoid Crushing	Adhésif	Aufkleber	Adhesivo	
17	6101951M3	1	Decal - Warning (Start Engine)	Adhésif	Aufkleber	Adhesivo	



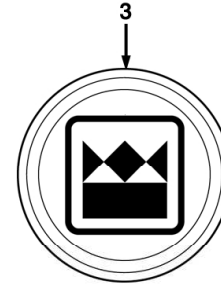
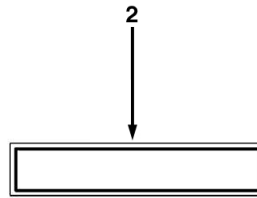
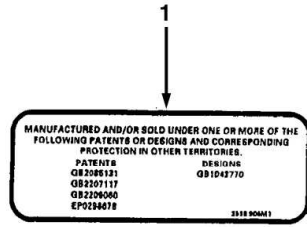
C-93001-02.1-E



Item	Part No.	Qty.	English	French	German	Spanish	Remarks
1	6101928M1	1	Decal-Transport Lock	Adhésif	Aufkleber	Adhesivo	
2	3517222M3	1	Decal - Hydraulic Oil	Adhésif	Aufkleber	Adhesivo	
3	3517221M3	1	Decal - Diesel Fuel	Adhésif	Aufkleber	Adhesivo	
4	6111305M1	1	Decal - Push Window To Open	Adhésif	Aufkleber	Adhesivo	
5	6111306M1	1	Decal - Pull Window To Close	Adhésif	Aufkleber	Adhesivo	
6	3517702M1	4	Decal - Tie Down	Adhésif	Aufkleber	Adhesivo	
7	3517703M1	4	Decal - Lifting	Adhésif	Aufkleber	Adhesivo	
8	6102191M1	1	Decal-Seat Adjustment	Adhésif	Aufkleber	Adhesivo	
9	6009536M1	1	Decal Noise 78	Adhésif	Aufkleber	Adhesivo	
10	6101927M1	1	Decal - Diff Lock	Collant	Aufkleber	Adhesivo	
11	6110668M2	1	Decal Hand Throttle	Decalomanie	Aufkleber	Calcomania	
12	6102194M2	2	Decal - 1000kg Safe Working Load	Adhésif	Aufkleber	Adhesivo	
13	6111257M1	1	Decal - Battery Isolate	Adhésif	Aufkleber	Adhesivo	



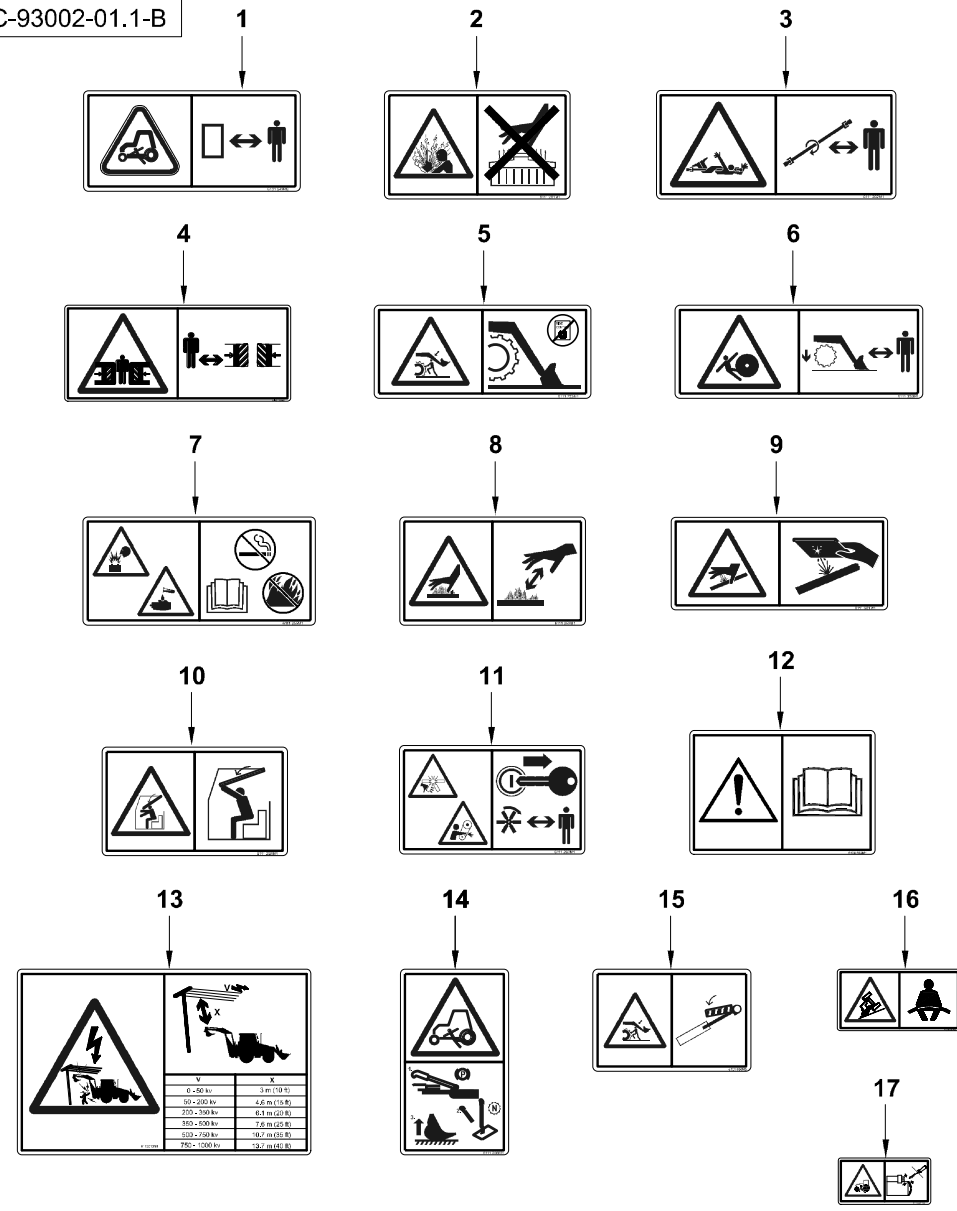
C-93001-03.1-A



Item	Part No.	Qty.	English	French	German	Spanish	Remarks
1	3516906M1	1	Decal Patent	Adhésif	Aufkleber	Adhesivo	
2	3516532M1	1	Decal - Serial Number Border	Adhésif	Aufkleber	Adhesivo	
3	6107927M1	1	Cap Steering Wheel-Terex	Chapeau	Kappe	Sombreroete	



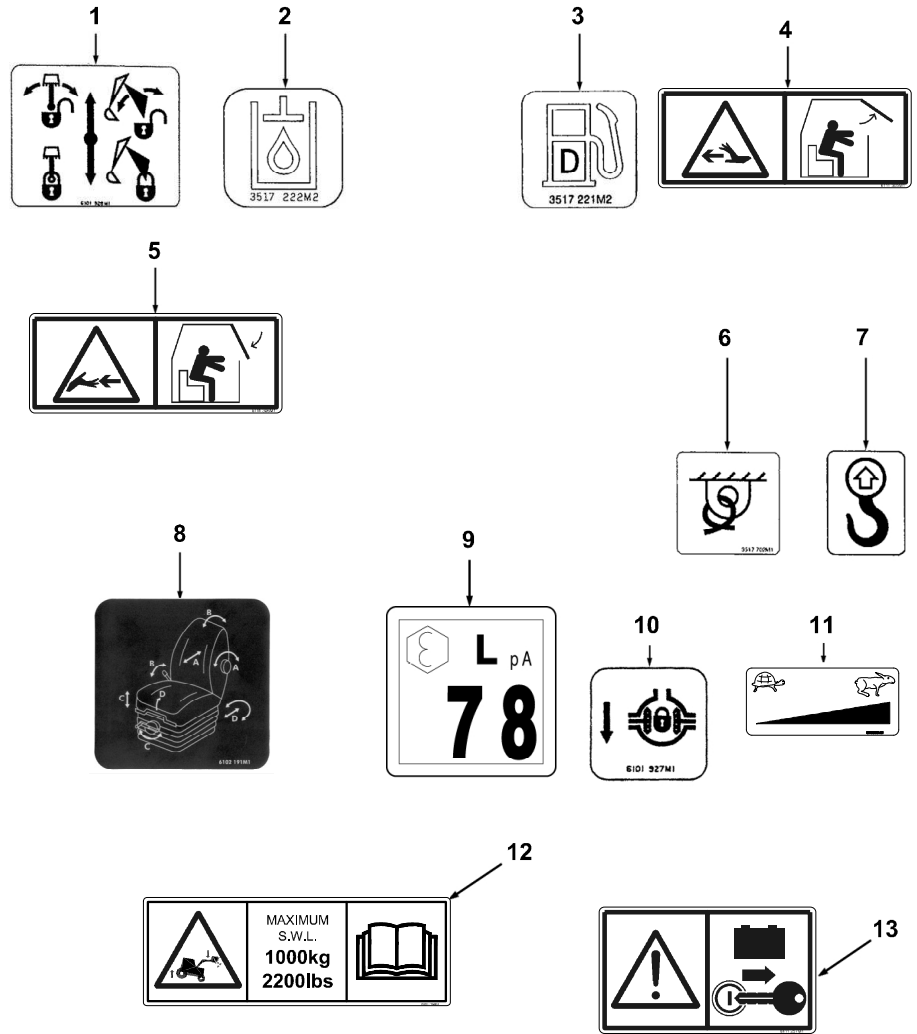
C-93002-01.1-B



Item	Part No.	Qty.	English	French	German	Spanish	Remarks
1	6101949M2	4	Decal Stay A Safe Distance	Adhésif	Aufkleber	Adhesivo	
2	6111261M1	1	Decal - Radiator (Warning)	Adhésif	Aufkleber	Adhesivo	
3	6111262M1	2	Decal - Warning (Rotating Parts)	Adhésif	Aufkleber	Adhesivo	
4	6102056M2	2	Decal - Warning (Avoid Crushing)	Adhésif	Aufkleber	Adhesivo	
5	6111253M2	2	Decal - Avoid Crush	Adhésif	Aufkleber	Adhesivo	
6	6111358M1	2	Decal - Avoid Crush	Adhésif	Aufkleber	Adhesivo	
7	6111255M1	1	Decal - Battery	Adhésif	Aufkleber	Adhesivo	
8	6111259M1	1	Decal - Exhaust (Warning)	Adhésif	Aufkleber	Adhesivo	
9	6111361M1	2	Decal - Injection Skin	Adhésif	Aufkleber	Adhesivo	
10	6111258M1	1	Decal- Support Glass	Adhésif	Aufkleber	Adhesivo	
11	6111260M1	1	Decal- Fan (Warning)	Adhésif	Aufkleber	Adhesivo	
12	6108692M1	1	Decal - Operators Instruction Book	Adhésif	Aufkleber	Adhesivo	
13	6112013M1	1	Decal Electrocutation Hazard ISO	Adhésif	Aufkleber	Adhesivo	
14	6111256M1	1	Decal - Select Neutral	Adhésif	Aufkleber	Adhesivo	
15	6101950M3	2	Decal - Warning (Safety Strut)	Adhésif	Aufkleber	Adhesivo	
16	6101952M3	1	Decal-Avoid Crushing	Adhésif	Aufkleber	Adhesivo	
17	6101951M3	1	Decal - Warning (Start Engine)	Adhésif	Aufkleber	Adhesivo	



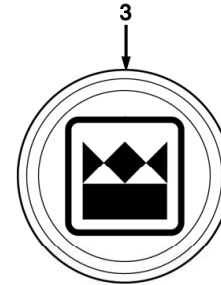
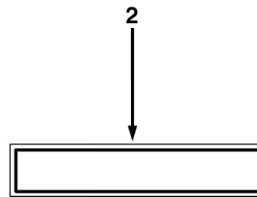
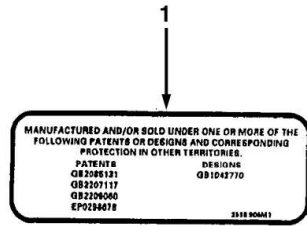
C-93002-02.1-E



Item	Part No.	Qty.	English	French	German	Spanish	Remarks
1	6101928M1	1	Decal-Transport Lock	Adhésif	Aufkleber	Adhesivo	
2	3517222M3	1	Decal - Hydraulic Oil	Adhésif	Aufkleber	Adhesivo	
3	3517221M3	1	Decal - Diesel Fuel	Adhésif	Aufkleber	Adhesivo	
4	6111305M1	1	Decal - Push Window To Open	Adhésif	Aufkleber	Adhesivo	
5	6111306M1	1	Decal - Pull Window To Close	Adhésif	Aufkleber	Adhesivo	
6	3517702M1	4	Decal - Tie Down	Adhésif	Aufkleber	Adhesivo	
7	3517703M1	4	Decal - Lifting	Adhésif	Aufkleber	Adhesivo	
8	6102191M1	1	Decal-Seat Adjustment	Adhésif	Aufkleber	Adhesivo	
9	6009536M1	1	Decal Noise 78	Adhésif	Aufkleber	Adhesivo	
10	6101927M1	1	Decal - Diff Lock	Collant	Aufkleber	Adhesivo	
11	6110668M2	1	Decal Hand Throttle	Decalomanie	Aufkleber	Calcomania	
12	6102194M2	2	Decal - 1000kg Safe Working Load	Adhésif	Aufkleber	Adhesivo	
13	6111257M1	1	Decal - Battery Isolate	Adhésif	Aufkleber	Adhesivo	



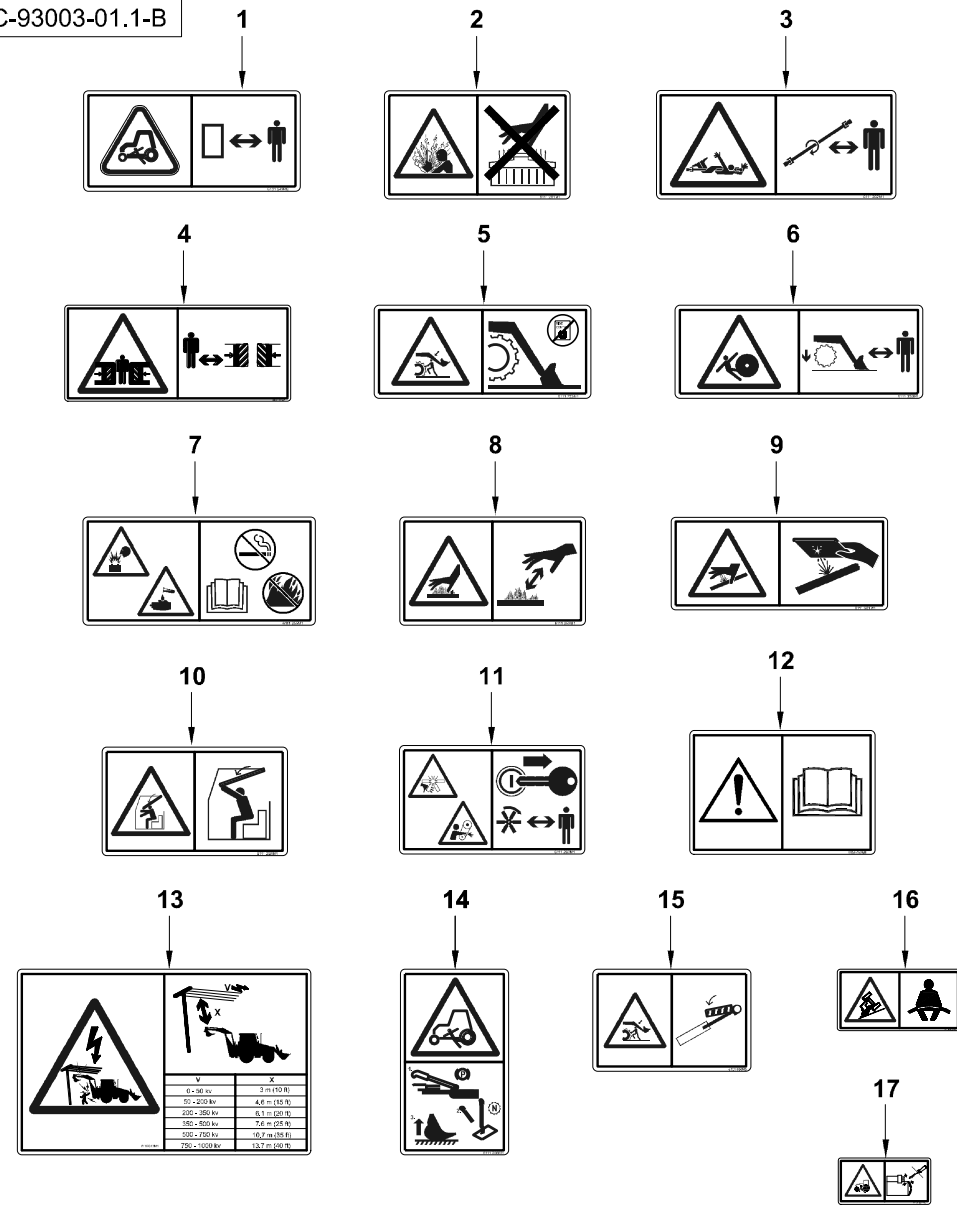
C-93002-03.1-A



Item	Part No.	Qty.	English	French	German	Spanish	Remarks
1	3516906M1	1	Decal Patent	Adhésif	Aufkleber	Adhesivo	
2	3516532M1	1	Decal - Serial Number Border	Adhésif	Aufkleber	Adhesivo	
3	6107927M1	1	Cap Steering Wheel-Terex	Chapeau	Kappe	Sombreroete	



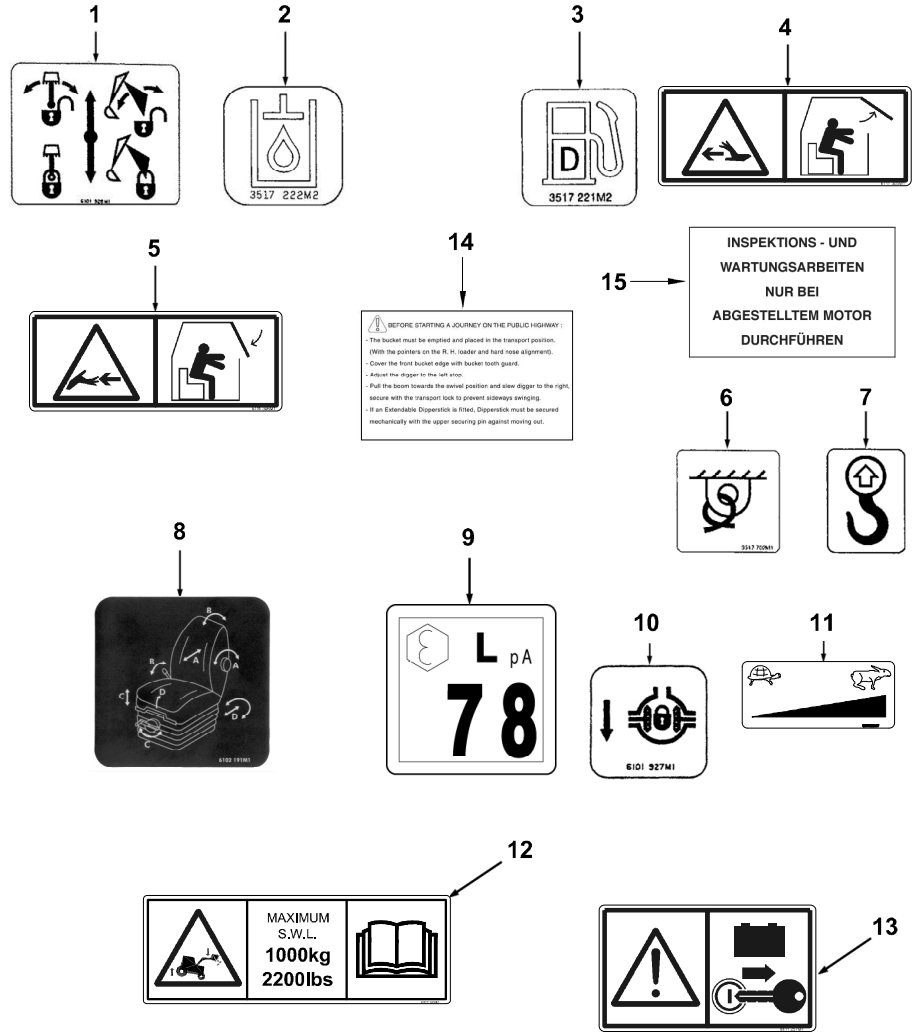
C-93003-01.1-B



Item	Part No.	Qty.	English	French	German	Spanish	Remarks
1	6101949M2	4	Decal Stay A Safe Distance	Adhésif	Aufkleber	Adhesivo	
2	6111261M1	1	Decal - Radiator (Warning)	Adhésif	Aufkleber	Adhesivo	
3	6111262M1	2	Decal - Warning (Rotating Parts)	Adhésif	Aufkleber	Adhesivo	
4	6102056M2	2	Decal - Warning (Avoid Crushing)	Adhésif	Aufkleber	Adhesivo	
5	6111253M2	2	Decal - Avoid Crush	Adhésif	Aufkleber	Adhesivo	
6	6111358M1	2	Decal - Avoid Crush	Adhésif	Aufkleber	Adhesivo	
7	6111255M1	1	Decal - Battery	Adhésif	Aufkleber	Adhesivo	
8	6111259M1	1	Decal - Exhaust (Warning)	Adhésif	Aufkleber	Adhesivo	
9	6111361M1	2	Decal - Injection Skin	Adhésif	Aufkleber	Adhesivo	
10	6111258M1	1	Decal- Support Glass	Adhésif	Aufkleber	Adhesivo	
11	6111260M1	1	Decal- Fan (Warning)	Adhésif	Aufkleber	Adhesivo	
12	6108692M1	1	Decal - Operators Instruction Book	Adhésif	Aufkleber	Adhesivo	
13	6112013M1	1	Decal Electrocutation Hazard ISO	Adhésif	Aufkleber	Adhesivo	
14	6111256M1	1	Decal - Select Neutral	Adhésif	Aufkleber	Adhesivo	
15	6101950M3	2	Decal - Warning (Safety Strut)	Adhésif	Aufkleber	Adhesivo	
16	6101952M3	1	Decal-Avoid Crushing	Adhésif	Aufkleber	Adhesivo	
17	6101951M3	1	Decal - Warning (Start Engine)	Adhésif	Aufkleber	Adhesivo	



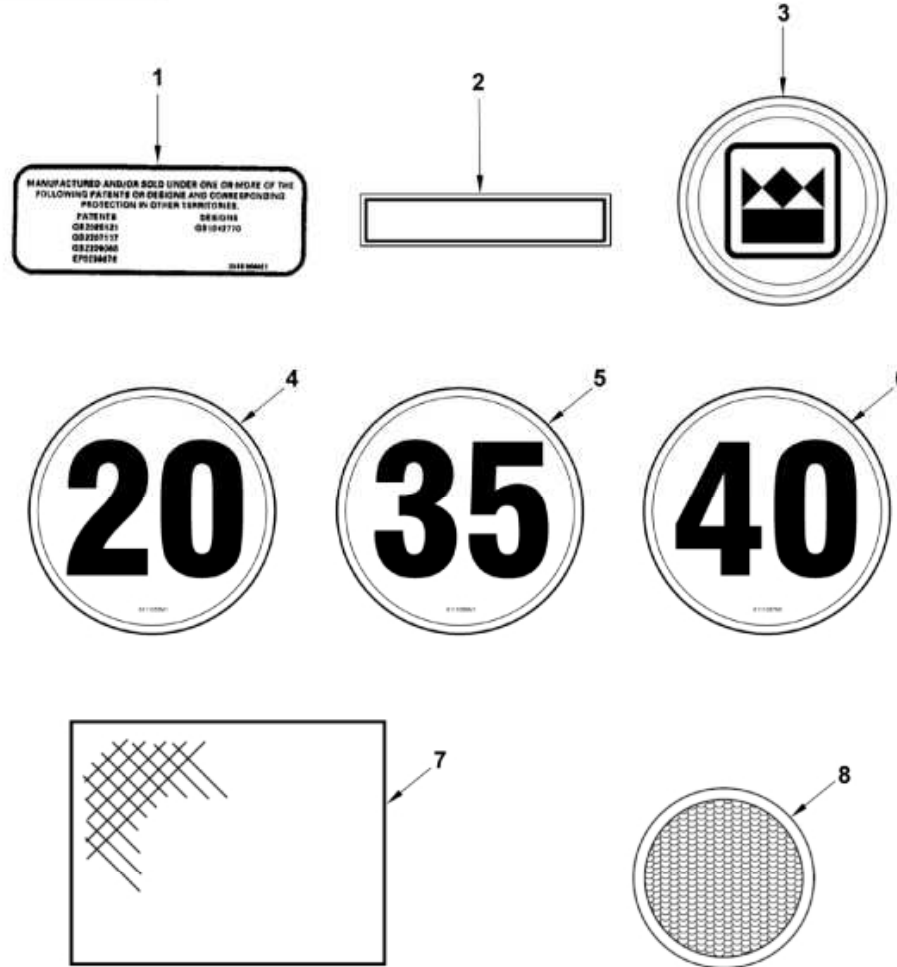
C-93003-02.1-E



Item	Part No.	Qty.	English	French	German	Spanish	Remarks
1	6101928M1	1	Decal-Transport Lock	Adhésif	Aufkleber	Adhesivo	
2	3517222M3	1	Decal - Hydraulic Oil	Adhésif	Aufkleber	Adhesivo	
3	3517221M3	1	Decal - Diesel Fuel	Adhésif	Aufkleber	Adhesivo	
4	6111305M1	1	Decal - Push Window To Open	Adhésif	Aufkleber	Adhesivo	
5	6111306M1	1	Decal - Pull Window To Close	Adhésif	Aufkleber	Adhesivo	
6	3517702M1	4	Decal - Tie Down	Adhésif	Aufkleber	Adhesivo	
7	3517703M1	4	Decal - Lifting	Adhésif	Aufkleber	Adhesivo	
8	6102191M1	1	Decal-Seat Adjustment	Adhésif	Aufkleber	Adhesivo	
9	6009536M1	1	Decal Noise 78	Adhésif	Aufkleber	Adhesivo	
10	6101927M1	1	Decal - Diff Lock	Collant	Aufkleber	Adhesivo	
11	6110668M2	1	Decal Hand Throttle	Decalomanie	Aufkleber	Calcomania	
12	6102194M2	2	Decal - 1000kg Safe Working Load	Adhésif	Aufkleber	Adhesivo	
13	6111257M1	1	Decal - Battery Isolate	Adhésif	Aufkleber	Adhesivo	
14	3516760M1	1	Decal Op Instr Germ	Adhésif	Aufkleber	Adhesivo	
15	1731440M1	1	Decal Warn Maint Ger	Adhésif	Aufkleber	Adhesivo	



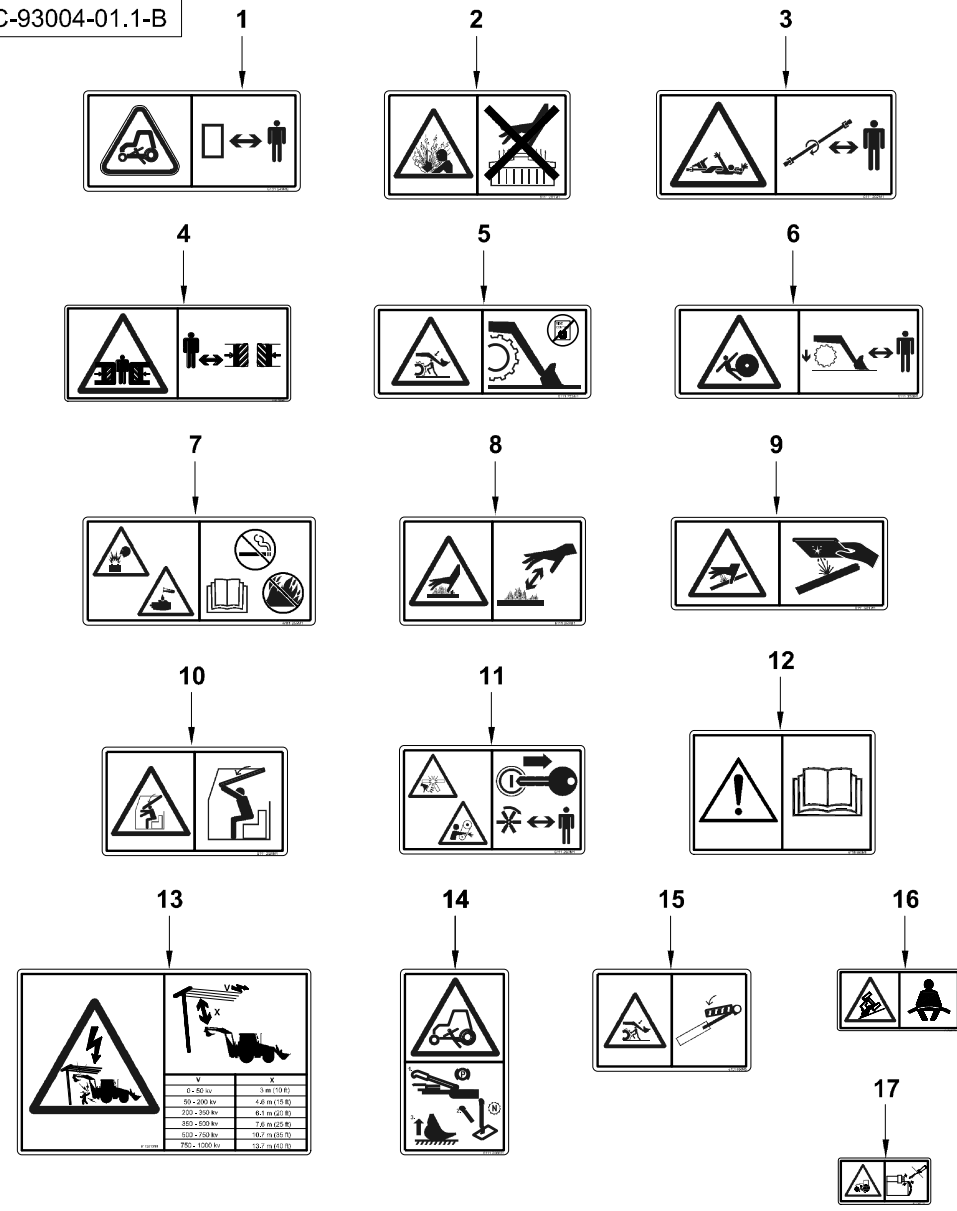
C-93003-03.1-B



Item	Part No.	Qty.	English	French	German	Spanish	Remarks
1	3516906M1	1	Decal Patent	Adhésif	Aufkleber	Adhesivo	
2	3516532M1	1	Decal - Serial Number Border	Adhésif	Aufkleber	Adhesivo	
3	6107927M1	1	Cap Steering Wheel-Terex	Chapeau	Kappe	Sombreroete	
4	6111055M1	3	Speed Decal - 20 Kph	Adhésif	Aufkleber	Calcomanía Velocidad	
5	6111056M1	3	Speed Decal - 35 Kph	Adhésif	Aufkleber	Calcomanía Velocidad	
6	6111057M1	3	Speed Decal - 40 Kph	Adhésif	Aufkleber	Calcomanía Velocidad	
7	1470972M1	1	Pad Anti Slip	Plaque Antidérapante	Zwischenlage	Cinta Antideslizante	
8	1462768M1	6	Re•ector	Catadioptré	Rückstrahler	Re•ector	

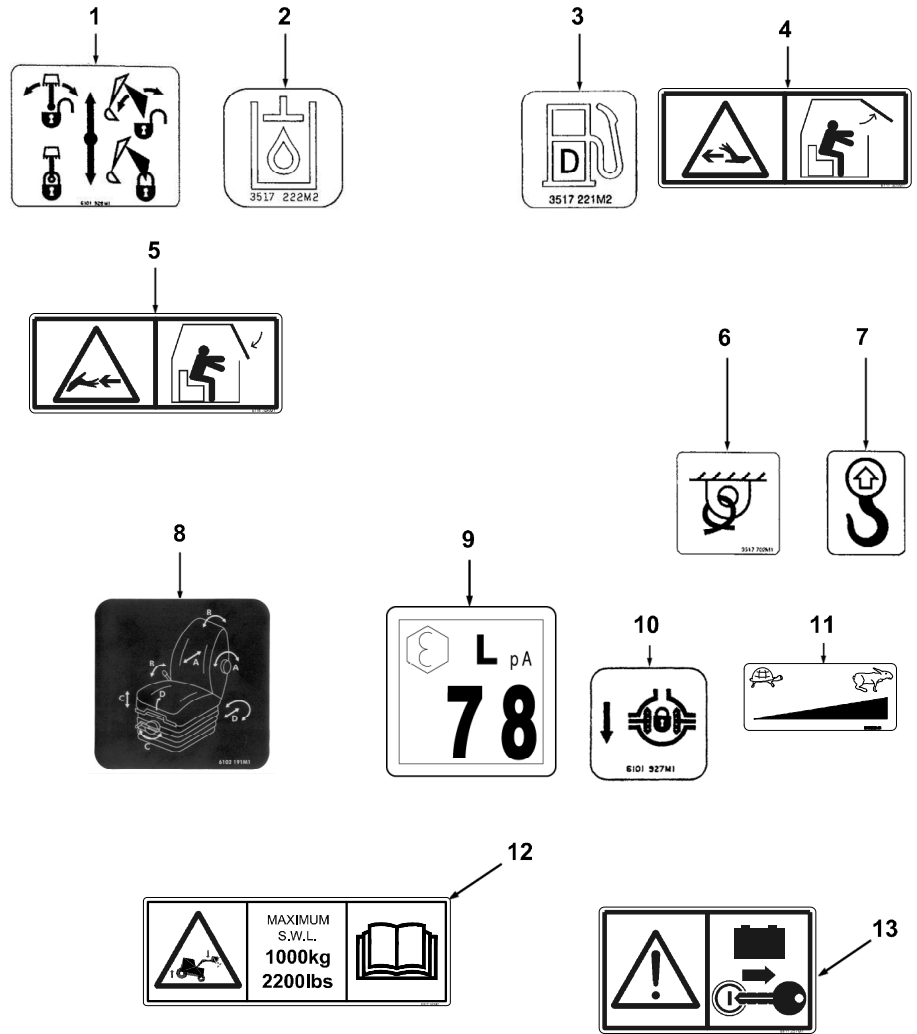


C-93004-01.1-B



Item	Part No.	Qty.	English	French	German	Spanish	Remarks
1	6101949M2	4	Decal Stay A Safe Distance	Adhésif	Aufkleber	Adhesivo	
2	6111261M1	1	Decal - Radiator (Warning)	Adhésif	Aufkleber	Adhesivo	
3	6111262M1	2	Decal - Warning (Rotating Parts)	Adhésif	Aufkleber	Adhesivo	
4	6102056M2	2	Decal - Warning (Avoid Crushing)	Adhésif	Aufkleber	Adhesivo	
5	6111253M2	2	Decal - Avoid Crush	Adhésif	Aufkleber	Adhesivo	
6	6111358M1	2	Decal - Avoid Crush	Adhésif	Aufkleber	Adhesivo	
7	6111255M1	1	Decal - Battery	Adhésif	Aufkleber	Adhesivo	
8	6111259M1	1	Decal - Exhaust (Warning)	Adhésif	Aufkleber	Adhesivo	
9	6111361M1	2	Decal - Injection Skin	Adhésif	Aufkleber	Adhesivo	
10	6111258M1	1	Decal- Support Glass	Adhésif	Aufkleber	Adhesivo	
11	6111260M1	1	Decal- Fan (Warning)	Adhésif	Aufkleber	Adhesivo	
12	6108692M1	1	Decal - Operators Instruction Book	Adhésif	Aufkleber	Adhesivo	
13	6112013M1	1	Decal Electrocutation Hazard ISO	Adhésif	Aufkleber	Adhesivo	
14	6111256M1	1	Decal - Select Neutral	Adhésif	Aufkleber	Adhesivo	
15	6101950M3	2	Decal - Warning (Safety Strut)	Adhésif	Aufkleber	Adhesivo	
16	6101952M3	1	Decal-Avoid Crushing	Adhésif	Aufkleber	Adhesivo	
17	6101951M3	1	Decal - Warning (Start Engine)	Adhésif	Aufkleber	Adhesivo	

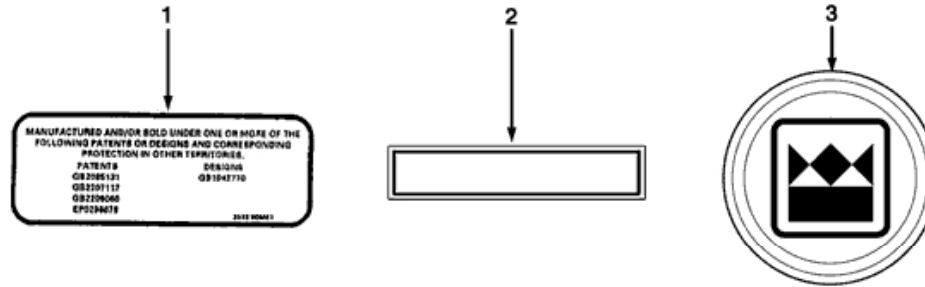
C-93004-02.1-F



Item	Part No.	Qty.	English	French	German	Spanish	Remarks
1	6101928M1	1	Decal-Transport Lock	Adhésif	Aufkleber	Adhesivo	
2	3517222M3	1	Decal - Hydraulic Oil	Adhésif	Aufkleber	Adhesivo	
3	3517221M3	1	Decal - Diesel Fuel	Adhésif	Aufkleber	Adhesivo	
4	6111305M1	1	Decal - Push Window To Open	Adhésif	Aufkleber	Adhesivo	
5	6111306M1	1	Decal - Pull Window To Close	Adhésif	Aufkleber	Adhesivo	
6	3517702M1	4	Decal - Tie Down	Adhésif	Aufkleber	Adhesivo	
7	3517703M1	4	Decal - Lifting	Adhésif	Aufkleber	Adhesivo	
8	6102191M1	1	Decal-Seat Adjustment	Adhésif	Aufkleber	Adhesivo	
9	6009536M1	1	Decal Noise 78	Adhésif	Aufkleber	Adhesivo	
10	6101927M1	1	Decal - Diff Lock	Collant	Aufkleber	Adhesivo	
11	6110668M2	1	Decal Hand Throttle	Decalomanie	Aufkleber	Calcomania	
12	6102194M2	2	Decal - 1000kg Safe Working Load	Adhésif	Aufkleber	Adhesivo	
13	6111257M1	1	Decal - Battery Isolate	Adhésif	Aufkleber	Adhesivo	



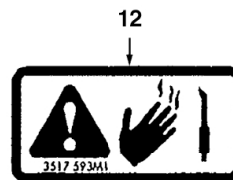
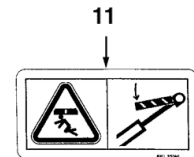
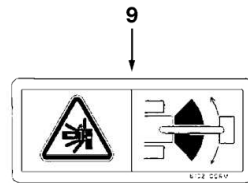
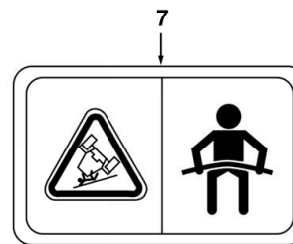
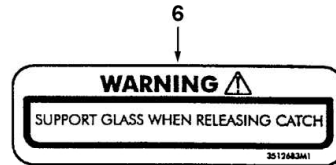
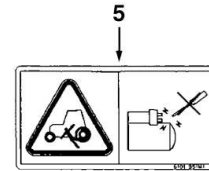
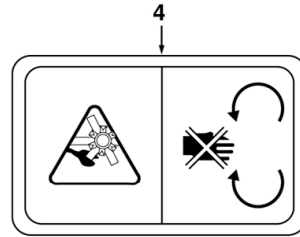
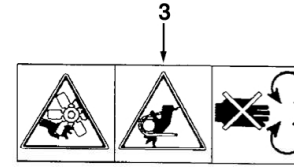
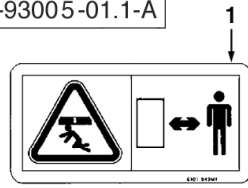
C-93004-03.1-B



Item	Part No.	Qty.	English	French	German	Spanish	Remarks
1	3516906M1	1	Decal Patent	Adhésif	Aufkleber	Adhesivo	
2	3516532M1	1	Decal - Serial Number Border	Adhésif	Aufkleber	Adhesivo	
3	6107927M1	1	Cap Steering Wheel-Terex	Chapeau	Kappe	Sombrerete	
4	6102158M1	1	Decal - Light Absorbtion	Adhésif	Aufkleber	Adhesivo	
5	6110677M1	2	Decal Stabiliser Leg Stripe	Adhésif	Aufkleber	Adhesivo	



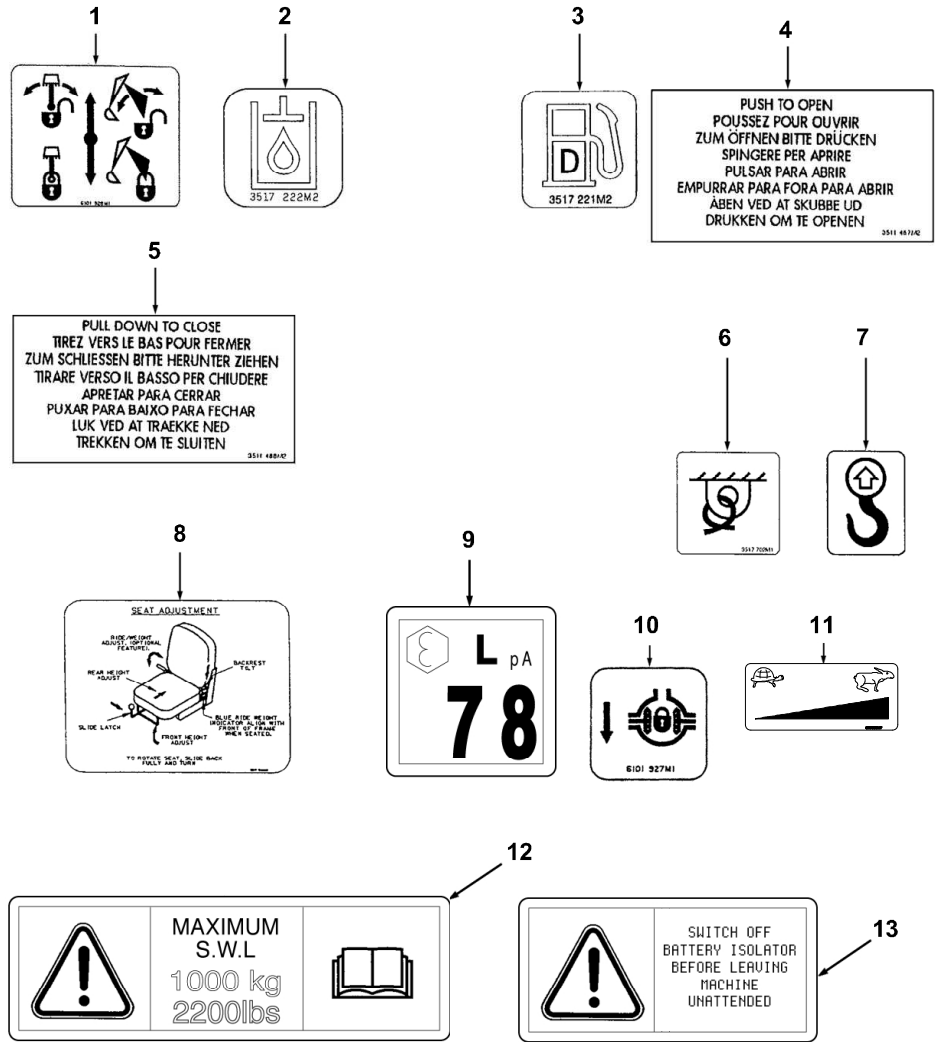
C-93005-01.1-A



Item	Part No.	Qty.	English	French	German	Spanish	Remarks
1	6101949M1	4	Decal-Stay A Safe Distance - Nla	Adhésif	Aufkleber	Adhesivo	
2	6010161M2	1	Decal, Warning - Radiator	Adhésif	Aufkleber	Adhesivo	
3	6010160M2	2	Decal - Fan	Adhésif	Aufkleber	Adhesivo	
4	6010164M1	2	Decal, Warning - Engine Cover	Adhésif	Aufkleber	Adhesivo	
5	6101951M2	1	Decal-Engine Start	Adhésif	Adhésif	Adhesivo	
6	3512689M2	1	Decal Wrng Glass-Spn	Adhésif	Aufkleber	Adhesivo	
7	6101952M2	1	Decal-Avoid Crushing	Adhésif	Aufkleber	Adhesivo	
8	6102187M1	1	Decal - Engage Neutral (Spanish)	Adhésif	Aufkleber	Adhesivo	
9	6102056M1	2	Decal-Avoid Crushing	Adhésif	Aufkleber	Adhesivo	
10	321-6722	1	Decal-Battery	Adhésif	Aufkleber	Adhesivo	
11	6101950M2	1	Decal-Secure Lift Cyl.	Adhésif	Aufkleber	Adhesivo	
12	3517593M1	2	Decal Exhaust Warning	Adhésif	Aufkleber	Adhesivo	

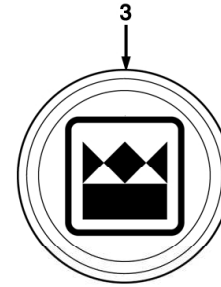
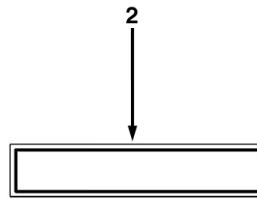
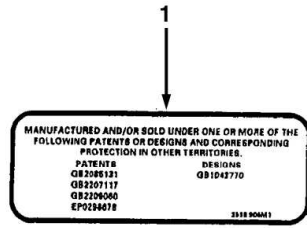


C-93005-02.1-D



Item	Part No.	Qty.	English	French	German	Spanish	Remarks
1	6101928M1	1	Decal-Transport Lock	Adhésif	Aufkleber	Adhesivo	
2	3517222M3	1	Decal - Hydraulic Oil	Adhésif	Aufkleber	Adhesivo	
3	3517221M3	1	Decal - Diesel Fuel	Adhésif	Aufkleber	Adhesivo	
4	3511487M2	1	Decal Push Out Window	Adhésif	Aufkleber	Adhesivo	
5	3511488M2	1	Decal - Pull Down To Close	Adhésif	Aufkleber	Adhesivo	
6	3517702M1	4	Decal - Tie Down	Adhésif	Aufkleber	Adhesivo	
7	3517703M1	4	Decal - Lifting	Adhésif	Aufkleber	Adhesivo	
8	6102191M1	1	Decal-Seat Adjustment	Adhésif	Aufkleber	Adhesivo	
9	6009536M1	1	Decal Noise 78	Adhésif	Aufkleber	Adhesivo	
10	6101927M1	1	Decal - Diff Lock	Collant	Aufkleber	Adhesivo	
11	6110668M2	1	Decal Hand Throttle	Decalomanie	Aufkleber	Calcomania	
12	6102194M1	2	Decal - 1000kg Safe Working Load	Adhésif	Aufkleber	Adhesivo	
13	6108498M1	1	Decal-Battery Isolate Spanish	Adhésif	Aufkleber	Adhesivo	

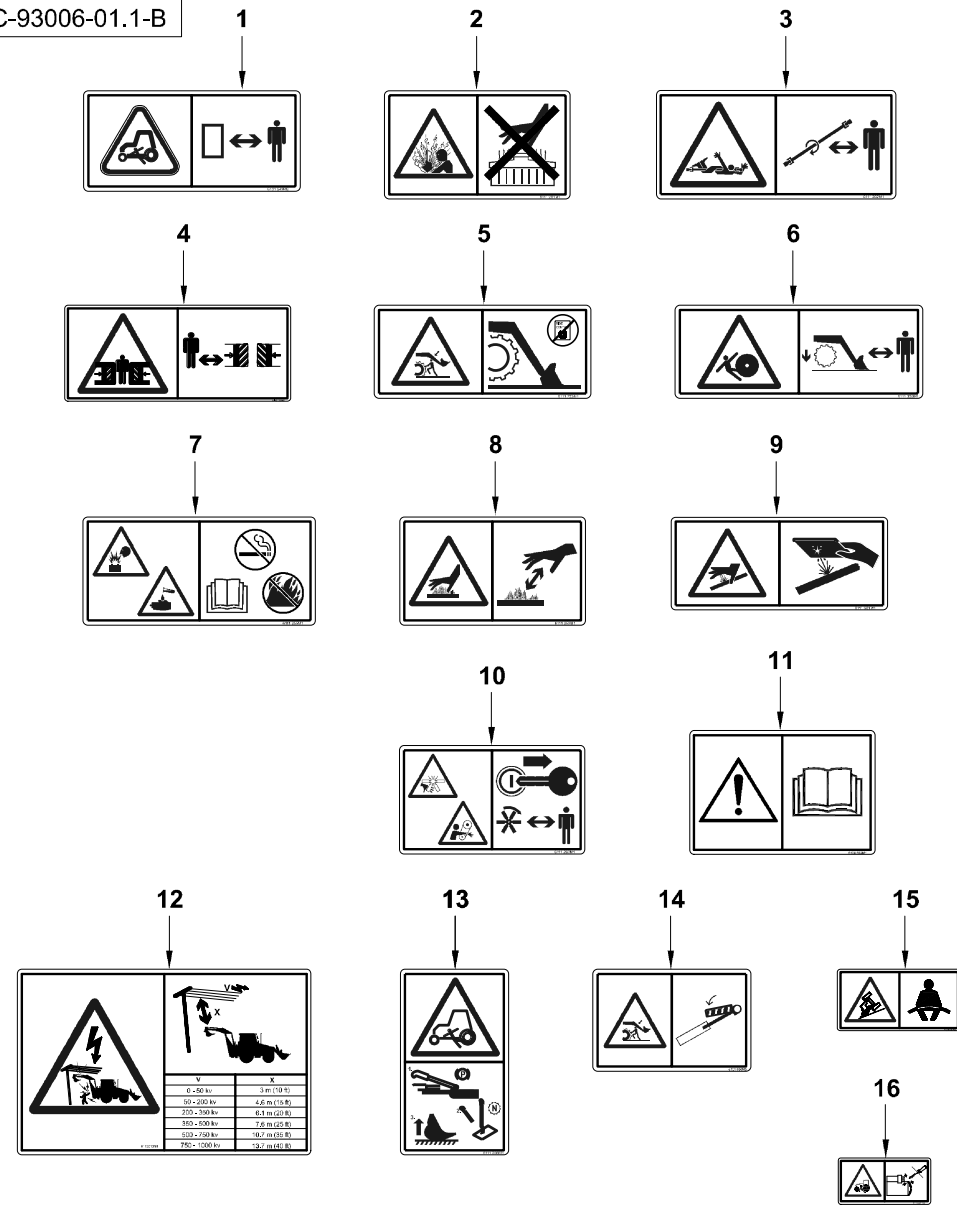
C-93005-03.1-A



Item	Part No.	Qty.	English	French	German	Spanish	Remarks
1	3516906M1	1	Decal Patent	Adhésif	Aufkleber	Adhesivo	
2	3516532M1	1	Decal - Serial Number Border	Adhésif	Aufkleber	Adhesivo	
3	6107927M1	1	Cap Steering Wheel-Terex	Chapeau	Kappe	Sombrerete	



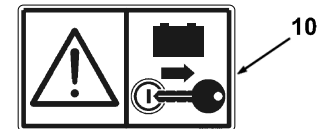
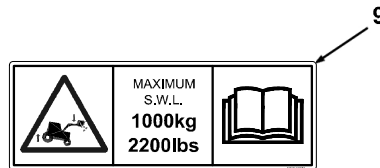
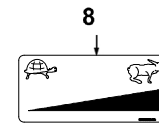
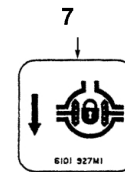
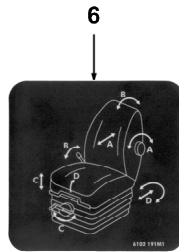
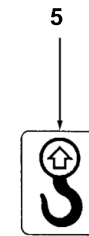
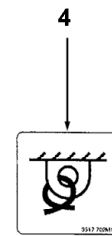
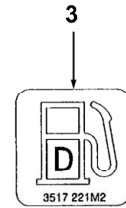
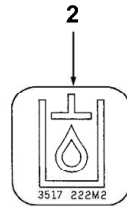
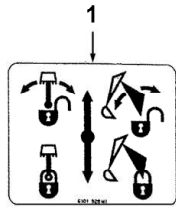
C-93006-01.1-B



Item	Part No.	Qty.	English	French	German	Spanish	Remarks
1	6101949M2	4	Decal Stay A Safe Distance	Adhésif	Aufkleber	Adhesivo	
2	6111261M1	1	Decal - Radiator (Warning)	Adhésif	Aufkleber	Adhesivo	
3	6111262M1	2	Decal - Warning (Rotating Parts)	Adhésif	Aufkleber	Adhesivo	
4	6102056M2	2	Decal - Warning (Avoid Crushing)	Adhésif	Aufkleber	Adhesivo	
5	6111253M2	2	Decal - Avoid Crush	Adhésif	Aufkleber	Adhesivo	
6	6111358M1	2	Decal - Avoid Crush	Adhésif	Aufkleber	Adhesivo	
7	6111255M1	1	Decal - Battery	Adhésif	Aufkleber	Adhesivo	
8	6111259M1	1	Decal - Exhaust (Warning)	Adhésif	Aufkleber	Adhesivo	
9	6111361M1	2	Decal - Injection Skin	Adhésif	Aufkleber	Adhesivo	
10	6111260M1	1	Decal- Fan (Warning)	Adhésif	Aufkleber	Adhesivo	
11	6108692M1	1	Decal - Operators Instruction Book	Adhésif	Aufkleber	Adhesivo	
12	6112013M1	1	Decal Electrocutation Hazard ISO	Adhésif	Aufkleber	Adhesivo	
13	6111256M1	1	Decal - Select Neutral	Adhésif	Aufkleber	Adhesivo	
14	6101950M3	2	Decal - Warning (Safety Strut)	Adhésif	Aufkleber	Adhesivo	
15	6101952M3	1	Decal-Avoid Crushing	Adhésif	Aufkleber	Adhesivo	
16	6101951M3	1	Decal - Warning (Start Engine)	Adhésif	Aufkleber	Adhesivo	



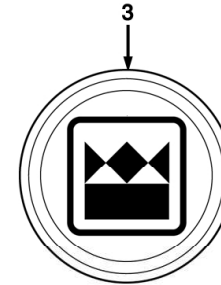
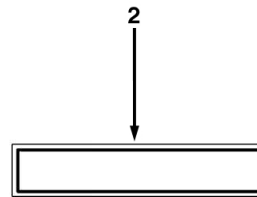
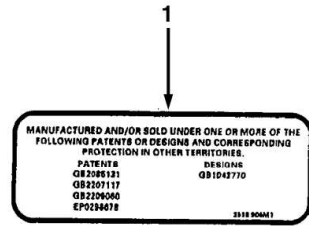
C-93006-02.1-D



Item	Part No.	Qty.	English	French	German	Spanish	Remarks
1	6101928M1	1	Decal-Transport Lock	Adhésif	Aufkleber	Adhesivo	
2	3517222M3	1	Decal - Hydraulic Oil	Adhésif	Aufkleber	Adhesivo	
3	3517221M3	1	Decal - Diesel Fuel	Adhésif	Aufkleber	Adhesivo	
4	3517702M1	4	Decal - Tie Down	Adhésif	Aufkleber	Adhesivo	
5	3517703M1	4	Decal - Lifting	Adhésif	Aufkleber	Adhesivo	
6	6102191M1	1	Decal-Seat Adjustment	Adhésif	Aufkleber	Adhesivo	
7	6101927M1	1	Decal - Diff Lock	Collant	Aufkleber	Adhesivo	
8	6110668M2	1	Decal Hand Throttle	Decalcomanie	Aufkleber	Calcomania	
9	6102194M2	2	Decal - 1000kg Safe Working Load	Adhésif	Aufkleber	Adhesivo	
10	6111257M1	1	Decal - Battery Isolate	Adhésif	Aufkleber	Adhesivo	



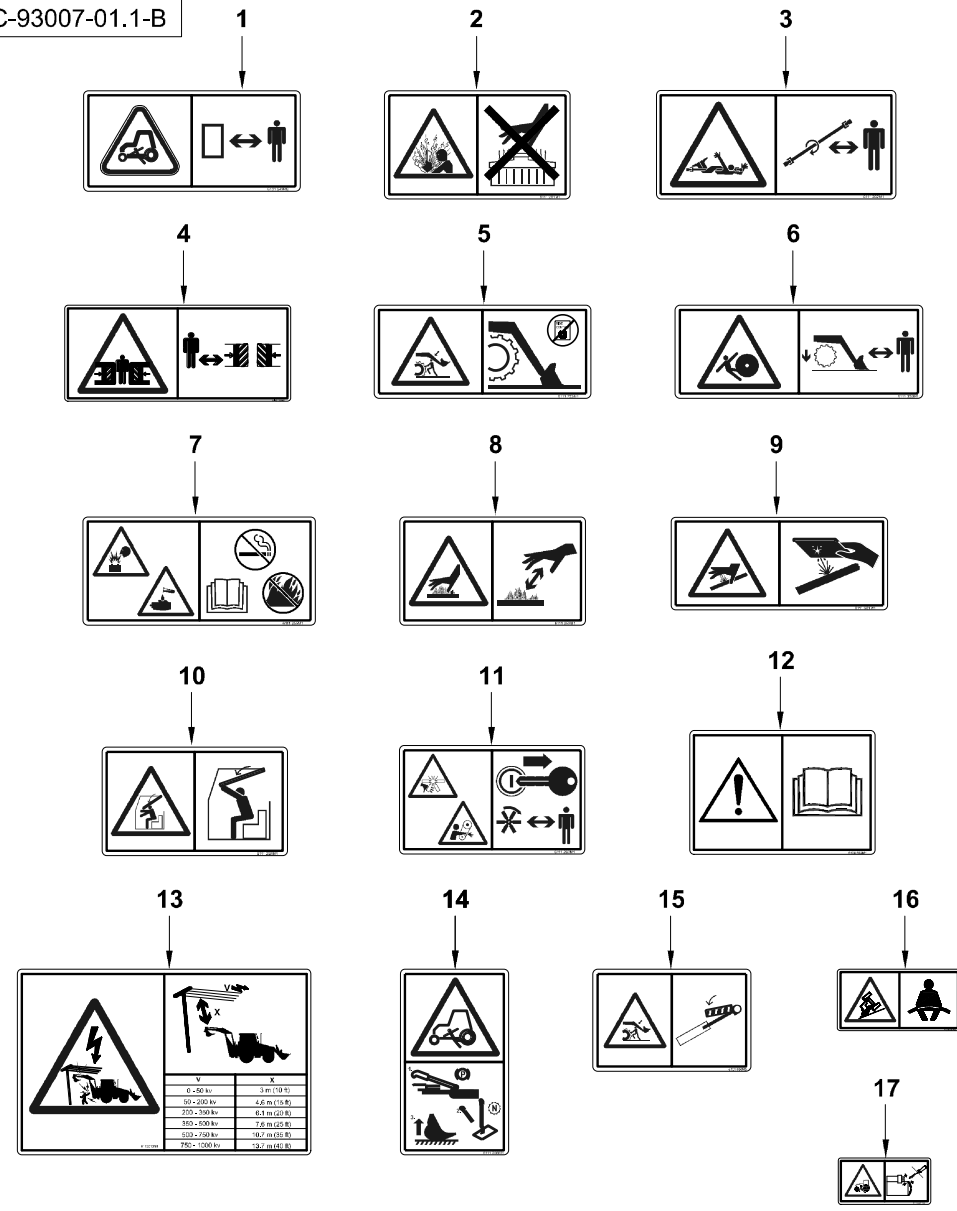
C-93006-03.1-A



Item	Part No.	Qty.	English	French	German	Spanish	Remarks
1	3516906M1	1	Decal Patent	Adhésif	Aufkleber	Adhesivo	
2	3516532M1	1	Decal - Serial Number Border	Adhésif	Aufkleber	Adhesivo	
3	6107927M1	1	Cap Steering Wheel-Terex	Chapeau	Kappe	Sombreroete	



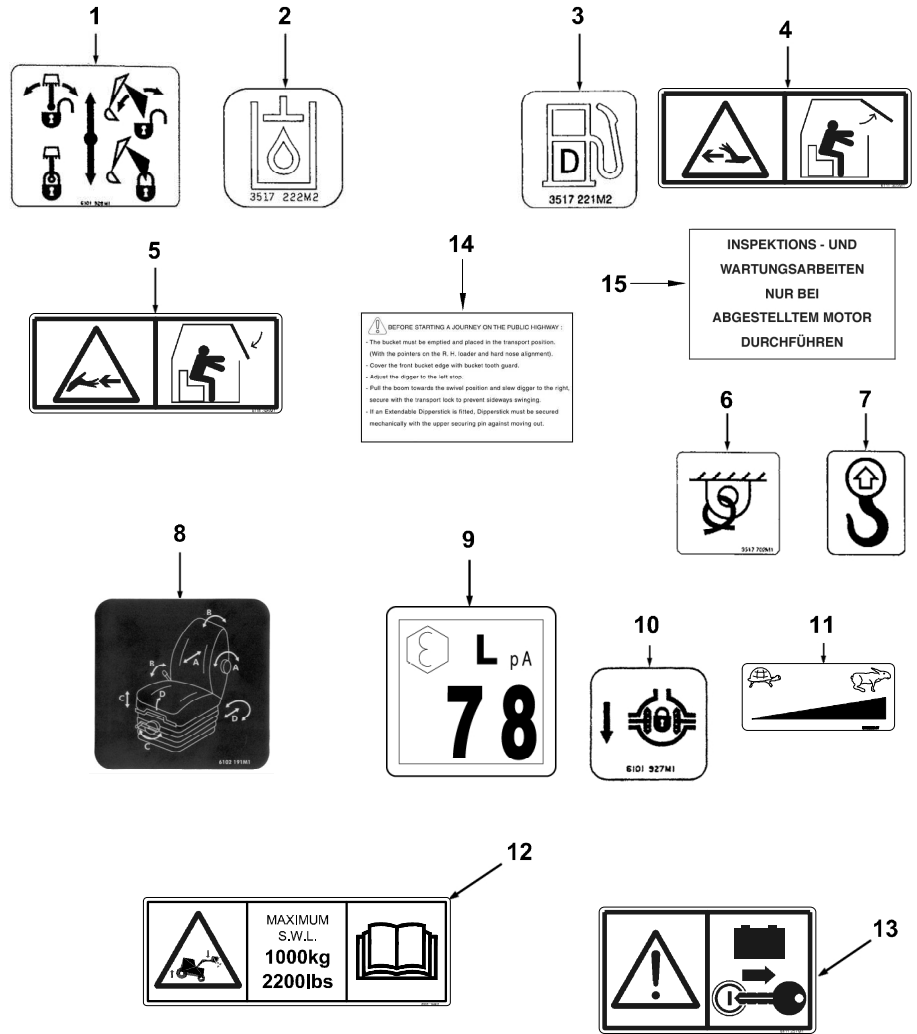
C-93007-01.1-B



Item	Part No.	Qty.	English	French	German	Spanish	Remarks
1	6101949M2	4	Decal Stay A Safe Distance	Adhésif	Aufkleber	Adhesivo	
2	6111261M1	1	Decal - Radiator (Warning)	Adhésif	Aufkleber	Adhesivo	
3	6111262M1	2	Decal - Warning (Rotating Parts)	Adhésif	Aufkleber	Adhesivo	
4	6102056M2	2	Decal - Warning (Avoid Crushing)	Adhésif	Aufkleber	Adhesivo	
5	6111253M2	2	Decal - Avoid Crush	Adhésif	Aufkleber	Adhesivo	
6	6111358M1	2	Decal - Avoid Crush	Adhésif	Aufkleber	Adhesivo	
7	6111255M1	1	Decal - Battery	Adhésif	Aufkleber	Adhesivo	
8	6111259M1	1	Decal - Exhaust (Warning)	Adhésif	Aufkleber	Adhesivo	
9	6111361M1	2	Decal - Injection Skin	Adhésif	Aufkleber	Adhesivo	
10	6111258M1	1	Decal- Support Glass	Adhésif	Aufkleber	Adhesivo	
11	6111260M1	1	Decal- Fan (Warning)	Adhésif	Aufkleber	Adhesivo	
12	6108692M1	1	Decal - Operators Instruction Book	Adhésif	Aufkleber	Adhesivo	
13	6112013M1	1	Decal Electrocutation Hazard ISO	Adhésif	Aufkleber	Adhesivo	
14	6111256M1	1	Decal - Select Neutral	Adhésif	Aufkleber	Adhesivo	
15	6101950M3	2	Decal - Warning (Safety Strut)	Adhésif	Aufkleber	Adhesivo	
16	6101952M3	1	Decal-Avoid Crushing	Adhésif	Aufkleber	Adhesivo	
17	6101951M3	1	Decal - Warning (Start Engine)	Adhésif	Aufkleber	Adhesivo	



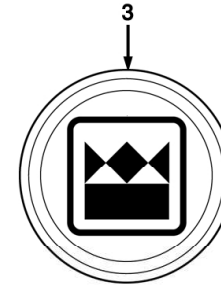
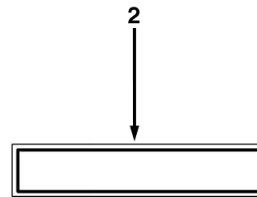
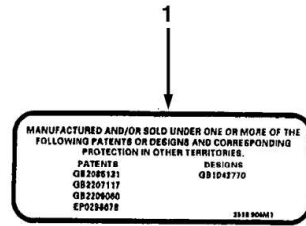
C-93007-02.1-E



Item	Part No.	Qty.	English	French	German	Spanish	Remarks
1	6101928M1	1	Decal-Transport Lock	Adhésif	Aufkleber	Adhesivo	
2	3517222M3	1	Decal - Hydraulic Oil	Adhésif	Aufkleber	Adhesivo	
3	3517221M3	1	Decal - Diesel Fuel	Adhésif	Aufkleber	Adhesivo	
4	6111305M1	1	Decal - Push Window To Open	Adhésif	Aufkleber	Adhesivo	
5	6111306M1	1	Decal - Pull Window To Close	Adhésif	Aufkleber	Adhesivo	
6	3517702M1	4	Decal - Tie Down	Adhésif	Aufkleber	Adhesivo	
7	3517703M1	4	Decal - Lifting	Adhésif	Aufkleber	Adhesivo	
8	6102191M1	1	Decal-Seat Adjustment	Adhésif	Aufkleber	Adhesivo	
9	6009536M1	1	Decal Noise 78	Adhésif	Aufkleber	Adhesivo	
10	6101927M1	1	Decal - Diff Lock	Collant	Aufkleber	Adhesivo	
11	6110668M2	1	Decal Hand Throttle	Decalomanie	Aufkleber	Calcomania	
12	6102194M2	2	Decal - 1000kg Safe Working Load	Adhésif	Aufkleber	Adhesivo	
13	6111257M1	1	Decal - Battery Isolate	Adhésif	Aufkleber	Adhesivo	
14	3516760M1	1	Decal Op Instr Germ	Adhésif	Aufkleber	Adhesivo	
15	1731440M1	1	Decal Warn Maint Ger	Adhésif	Aufkleber	Adhesivo	



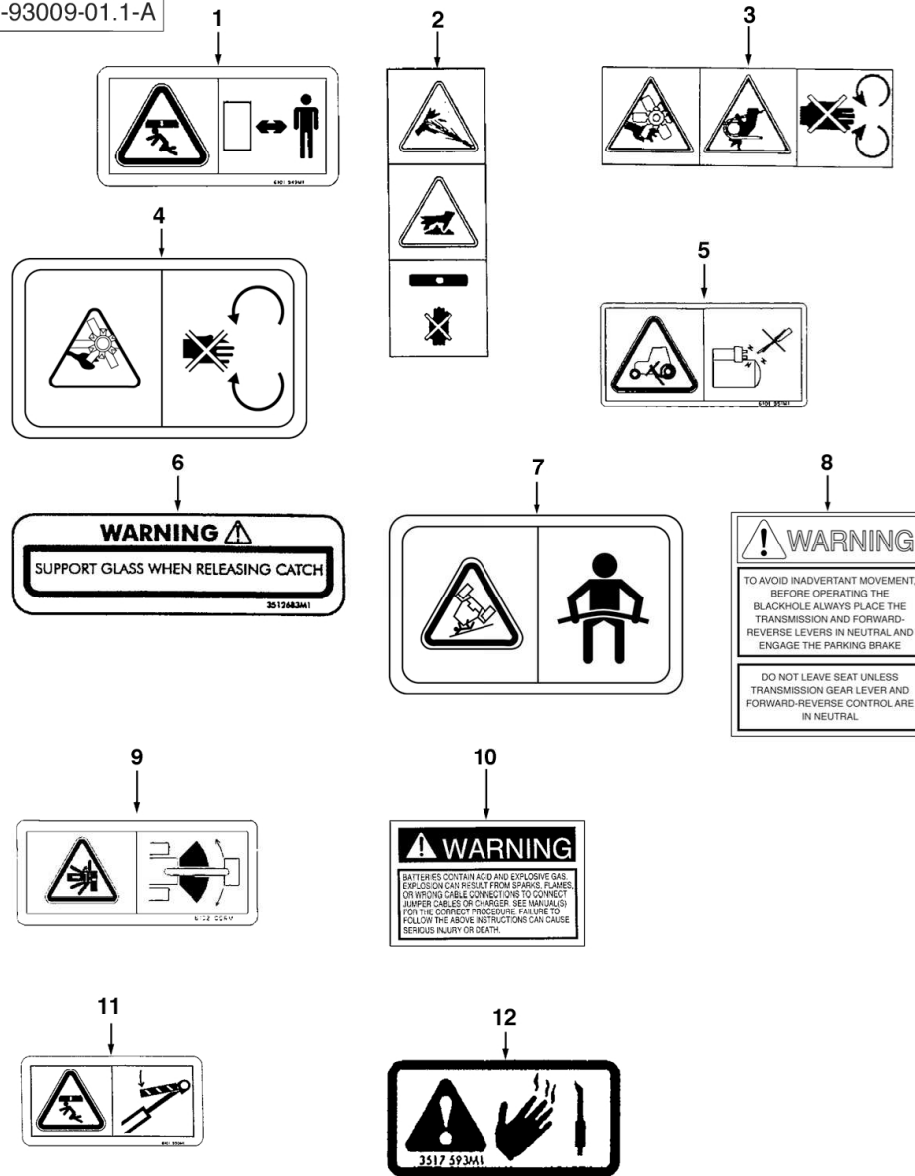
C-93007-03.1-A



Item	Part No.	Qty.	English	French	German	Spanish	Remarks
1	3516906M1	1	Decal Patent	Adhésif	Aufkleber	Adhesivo	
2	3516532M1	1	Decal - Serial Number Border	Adhésif	Aufkleber	Adhesivo	
3	6107927M1	1	Cap Steering Wheel-Terex	Chapeau	Kappe	Sombreroete	

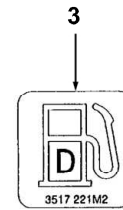
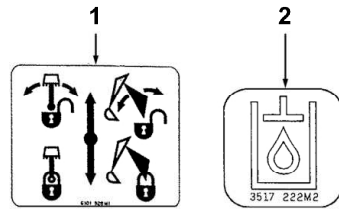


C-93009-01.1-A



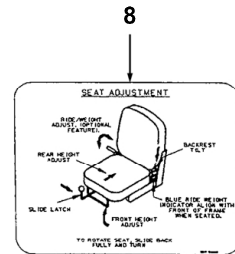
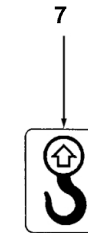
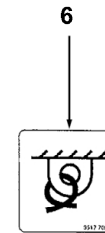
Item	Part No.	Qty.	English	French	German	Spanish	Remarks
1	6101949M1	4	Decal-Stay A Safe Distance - Nla	Adhésif	Aufkleber	Adhesivo	
2	6010161M2	1	Decal, Warning - Radiator	Adhésif	Aufkleber	Adhesivo	
3	6010160M2	2	Decal - Fan	Adhésif	Aufkleber	Adhesivo	
4	6010164M1	2	Decal, Warning - Engine Cover	Adhésif	Aufkleber	Adhesivo	
5	6101951M2	1	Decal-Engine Start	Adhésif	Adhésif	Adhesivo	
6	3517233M1	1	Decal Wrng Glass-Dutch	Adhésif	Aufkleber	Adhesivo	
7	6101952M2	1	Decal-Avoid Crushing	Adhésif	Aufkleber	Adhesivo	
8	6102188M1	1	Decal - Engage Neutral (Dutch)	Adhésif	Aufkleber	Adhesivo	
9	6102056M1	2	Decal-Avoid Crushing	Adhésif	Aufkleber	Adhesivo	
10	229948A1	1	Decal - Battery Warning Dutch	Adhésif	Aufkleber	Adhesivo	
11	6101950M2	1	Decal-Secure Lift Cyl.	Adhésif	Aufkleber	Adhesivo	
12	3517593M1	2	Decal Exhaust Warning	Adhésif	Aufkleber	Adhesivo	

C-93009-02.1-D

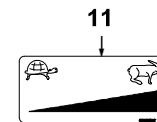
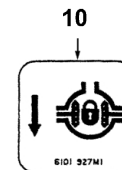




4
 PUSH TO OPEN
 PUSSEZ POUR OUVRIR
 ZUM ÖFFNEN BITTE DRÜCKEN
 SPINGERE PER APRIRE
 PULSAR PARA ABRIR
 EMPURRAR PARA FORA PARA ABRIR
 ÅBEN VED AT SKUBBE UD
 DRUKKEN OM TE OPENEN
 3511 48742


5
 PULL DOWN TO CLOSE
 TIREZ VERS LE BAS POUR FERMER
 ZUM SCHLIESSEN BITTE HERUNTER ZIEHEN
 TIRARE VERSO IL BASSO PER CHIUDERE
 APRETAR PARA CERRAR
 PUXAR PARA BAIXO PARA FECHAR
 LUK VED AT TRÆKKE NED
 TREKKEN OM TE SLUITEN
 3511 48842



9
 L pA
 78



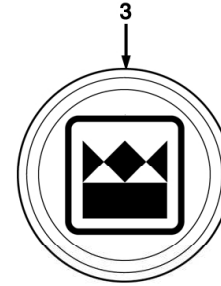
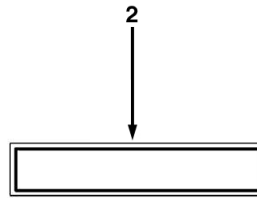
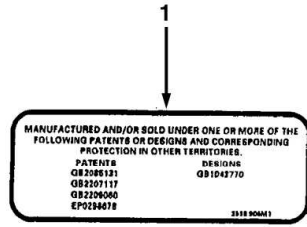
12

 MAXIMUM
 S.W.L
 1000 kg
 2200lbs


13

 SWITCH OFF
 BATTERY ISOLATOR
 BEFORE LEAVING
 MACHINE
 UNATTENDED

Item	Part No.	Qty.	English	French	German	Spanish	Remarks
1	6101928M1	1	Decal-Transport Lock	Adhésif	Aufkleber	Adhesivo	
2	3517222M3	1	Decal - Hydraulic Oil	Adhésif	Aufkleber	Adhesivo	
3	3517221M3	1	Decal - Diesel Fuel	Adhésif	Aufkleber	Adhesivo	
4	3511487M2	1	Decal Push Out Window	Adhésif	Aufkleber	Adhesivo	
5	3511488M2	1	Decal - Pull Down To Close	Adhésif	Aufkleber	Adhesivo	
6	3517702M1	4	Decal - Tie Down	Adhésif	Aufkleber	Adhesivo	
7	3517703M1	4	Decal - Lifting	Adhésif	Aufkleber	Adhesivo	
8	6102191M1	1	Decal-Seat Adjustment	Adhésif	Aufkleber	Adhesivo	
9	6009536M1	1	Decal Noise 78	Adhésif	Aufkleber	Adhesivo	
10	6101927M1	1	Decal - Diff Lock	Collant	Aufkleber	Adhesivo	
11	6110668M2	1	Decal Hand Throttle	Decalcomanie	Aufkleber	Calcomania	
12	6102194M1	2	Decal - 1000kg Safe Working Load	Adhésif	Aufkleber	Adhesivo	
13	6108501M1	1	Decal Battery Isolator(Dutch)	Adhésif	Aufkleber	Adhesivo	



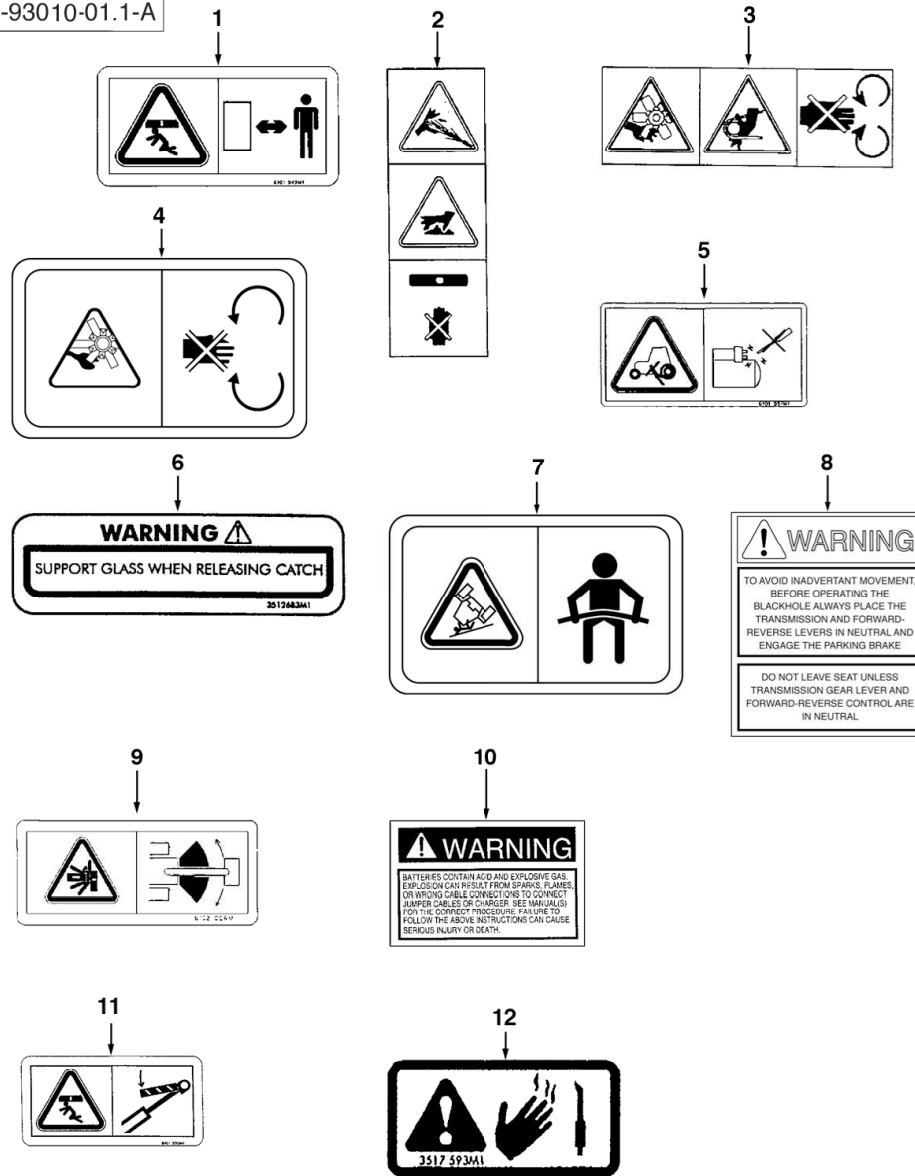
C-93009-03.1-A



Item	Part No.	Qty.	English	French	German	Spanish	Remarks
1	3516906M1	1	Decal Patent	Adhésif	Aufkleber	Adhesivo	
2	3516532M1	1	Decal - Serial Number Border	Adhésif	Aufkleber	Adhesivo	
3	6107927M1	1	Cap Steering Wheel-Terex	Chapeau	Kappe	Sombreroete	

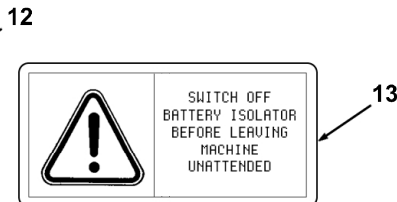
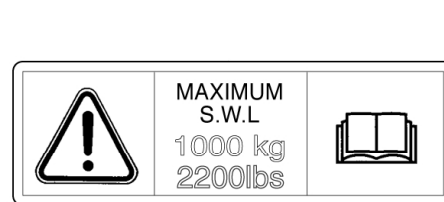
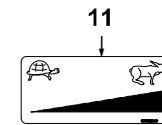
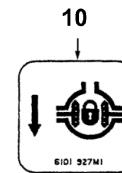
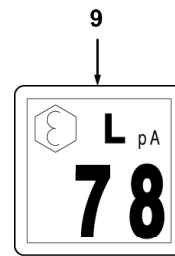
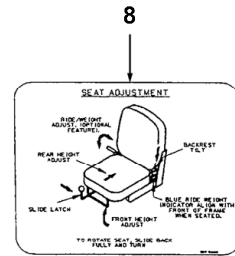
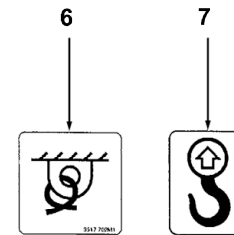
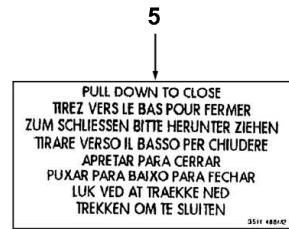
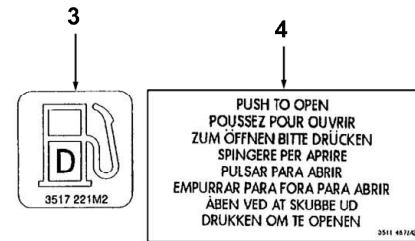
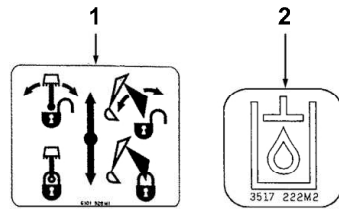


C-93010-01.1-A



Item	Part No.	Qty.	English	French	German	Spanish	Remarks
1	6101949M1	4	Decal-Stay A Safe Distance - Nla	Adhésif	Aufkleber	Adhesivo	
2	6010161M2	1	Decal, Warning - Radiator	Adhésif	Aufkleber	Adhesivo	
3	6010160M2	2	Decal - Fan	Adhésif	Aufkleber	Adhesivo	
4	6010164M1	2	Decal, Warning - Engine Cover	Adhésif	Aufkleber	Adhesivo	
5	6101951M2	1	Decal-Engine Start	Adhésif	Adhésif	Adhesivo	
6	3517234M1	1	Decal Wrng Glass-Danis	Adhésif	Aufkleber	Adhesivo	
7	6101952M2	1	Decal-Avoid Crushing	Adhésif	Aufkleber	Adhesivo	
8	6102189M1	1	Decal - Engage Neutral (Danish)	Adhésif	Aufkleber	Adhesivo	
9	6102056M1	2	Decal-Avoid Crushing	Adhésif	Aufkleber	Adhesivo	
10	321-6754	1	Decal - Battery	Adhésif	Aufkleber	Adhesivo	
11	6101950M2	1	Decal-Secure Lift Cyl.	Adhésif	Aufkleber	Adhesivo	
12	3517593M1	2	Decal Exhaust Warning	Adhésif	Aufkleber	Adhesivo	

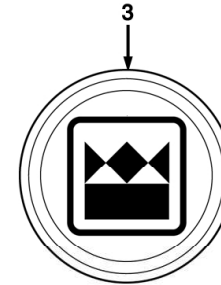
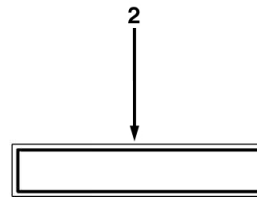
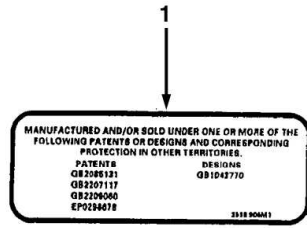
C-93010-02.1-D



Item	Part No.	Qty.	English	French	German	Spanish	Remarks
1	6101928M1	1	Decal-Transport Lock	Adhésif	Aufkleber	Adhesivo	
2	3517222M3	1	Decal - Hydraulic Oil	Adhésif	Aufkleber	Adhesivo	
3	3517221M3	1	Decal - Diesel Fuel	Adhésif	Aufkleber	Adhesivo	
4	3511487M2	1	Decal Push Out Window	Adhésif	Aufkleber	Adhesivo	
5	3511488M2	1	Decal - Pull Down To Close	Adhésif	Aufkleber	Adhesivo	
6	3517702M1	4	Decal - Tie Down	Adhésif	Aufkleber	Adhesivo	
7	3517703M1	4	Decal - Lifting	Adhésif	Aufkleber	Adhesivo	
8	6102191M1	1	Decal-Seat Adjustment	Adhésif	Aufkleber	Adhesivo	
9	6009536M1	1	Decal Noise 78	Adhésif	Aufkleber	Adhesivo	
10	6101927M1	1	Decal - Diff Lock	Collant	Aufkleber	Adhesivo	
11	6110668M2	1	Decal Hand Throttle	Decalomanie	Aufkleber	Calcomania	
12	6102194M1	2	Decal - 1000kg Safe Working Load	Adhésif	Aufkleber	Adhesivo	
13	6108502M1	1	Decal Battery Isolator(Danish)	Adhésif	Aufkleber	Adhesivo	



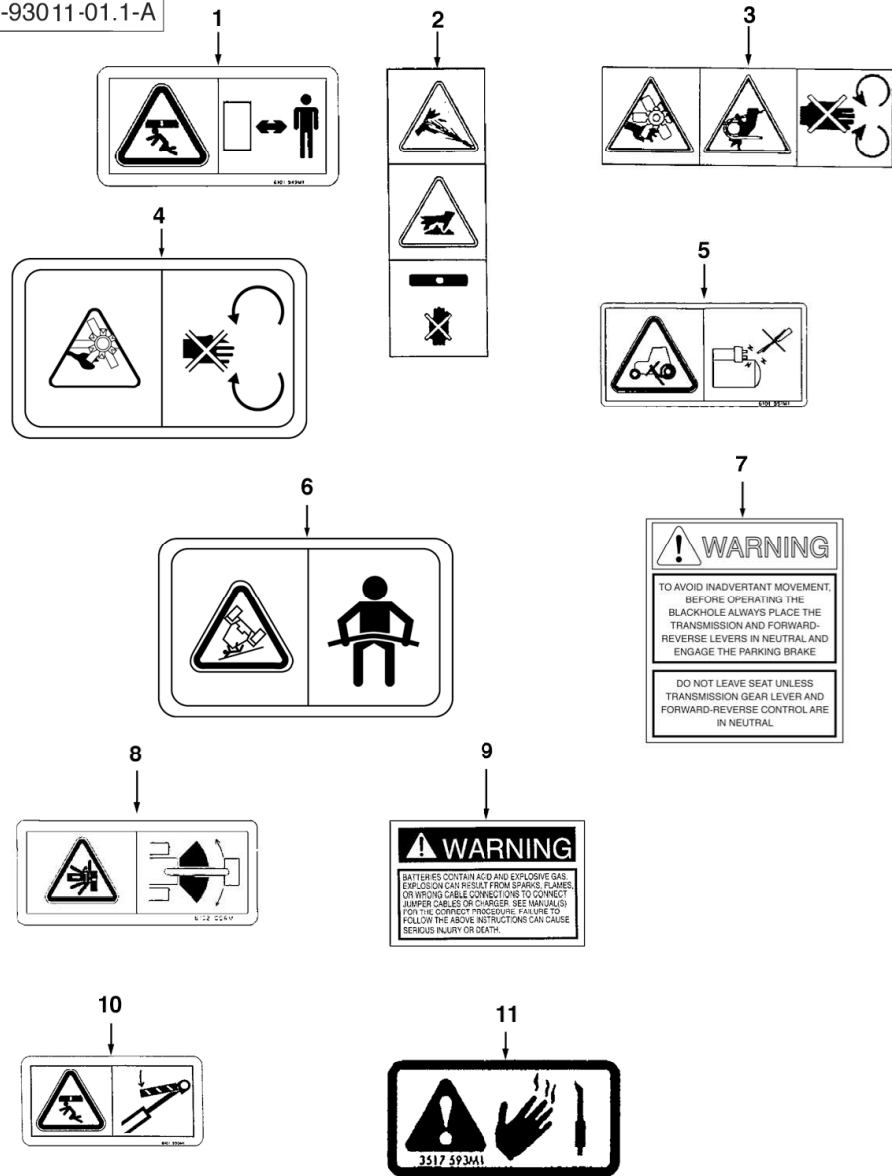
C-93010-03.1-A



Item	Part No.	Qty.	English	French	German	Spanish	Remarks
1	3516906M1	1	Decal Patent	Adhésif	Aufkleber	Adhesivo	
2	3516532M1	1	Decal - Serial Number Border	Adhésif	Aufkleber	Adhesivo	
3	6107927M1	1	Cap Steering Wheel-Terex	Chapeau	Kappe	Sombrerete	



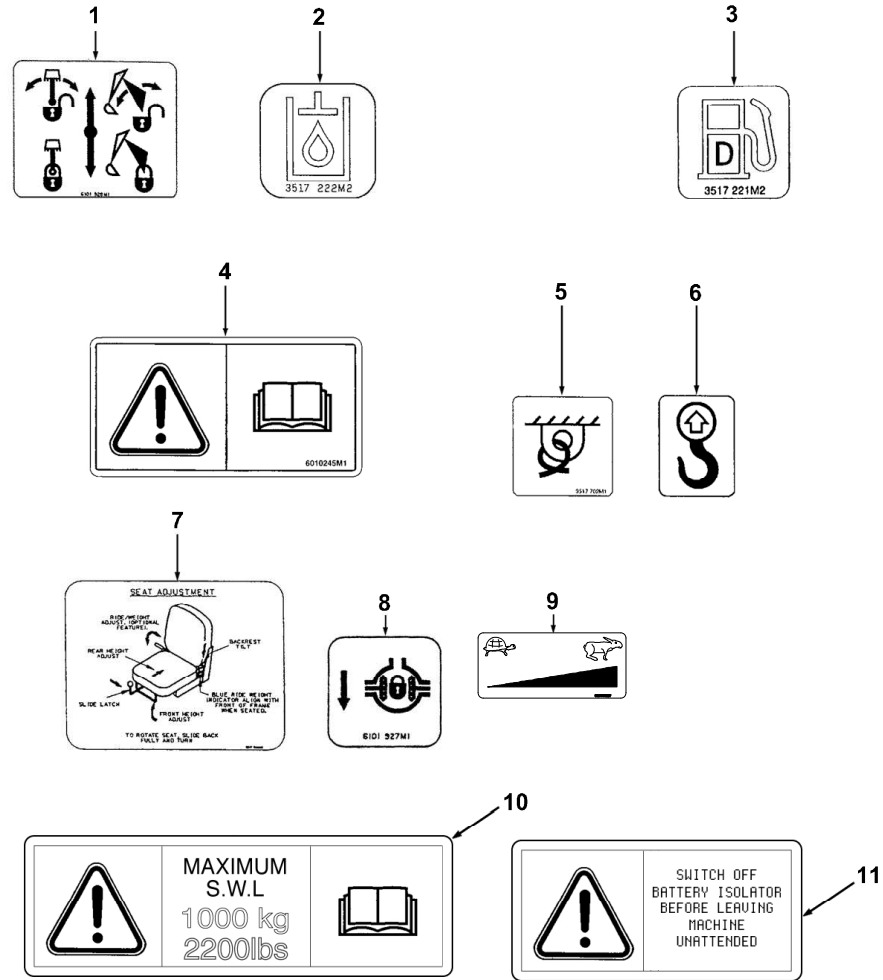
C-93011-01.1-A



Item	Part No.	Qty.	English	French	German	Spanish	Remarks
1	6101949M1	4	Decal-Stay A Safe Distance - Nla	Adhésif	Aufkleber	Adhesivo	
2	6010161M2	1	Decal, Warning - Radiator	Adhésif	Aufkleber	Adhesivo	
3	6010160M2	2	Decal - Fan	Adhésif	Aufkleber	Adhesivo	
4	6010164M1	2	Decal, Warning - Engine Cover	Adhésif	Aufkleber	Adhesivo	
5	6101951M2	1	Decal-Engine Start	Adhésif	Adhésif	Adhesivo	
6	6101952M2	1	Decal-Avoid Crushing	Adhésif	Aufkleber	Adhesivo	
7	6102187M1	1	Decal - Engage Neutral (Spanish)	Adhésif	Aufkleber	Adhesivo	
8	6102056M1	2	Decal-Avoid Crushing	Adhésif	Aufkleber	Adhesivo	
9	321-6722	1	Decal-Battery	Adhésif	Aufkleber	Adhesivo	
10	6101950M2	1	Decal-Secure Lift Cyl.	Adhésif	Aufkleber	Adhesivo	
11	3517593M1	2	Decal Exhaust Warning	Adhésif	Aufkleber	Adhesivo	



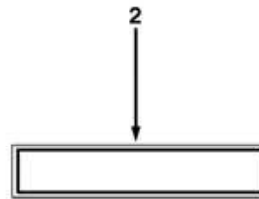
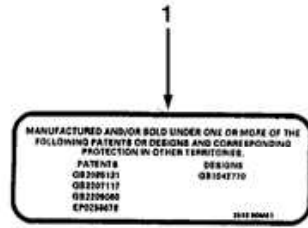
C-93011-02-1-C



Item	Part No.	Qty.	English	French	German	Spanish	Remarks
1	6101928M1	1	Decal-Transport Lock	Adhésif	Aufkleber	Adhesivo	
2	3517222M3	1	Decal - Hydraulic Oil	Adhésif	Aufkleber	Adhesivo	
3	3517221M3	1	Decal - Diesel Fuel	Adhésif	Aufkleber	Adhesivo	
4	6108692M1	1	Decal - Operators Instruction Book	Adhésif	Aufkleber	Adhesivo	
5	3517702M1	4	Decal - Tie Down	Adhésif	Aufkleber	Adhesivo	
6	3517703M1	4	Decal - Lifting	Adhésif	Aufkleber	Adhesivo	
7	6102191M1	1	Decal-Seat Adjustment	Adhésif	Aufkleber	Adhesivo	
8	6101927M1	1	Decal - Diff Lock	Collant	Aufkleber	Adhesivo	
9	6110668M2	1	Decal Hand Throttle	Decalcomanie	Aufkleber	Calcomania	
10	6102194M1	2	Decal - 1000kg Safe Working Load	Adhésif	Aufkleber	Adhesivo	
11	6108498M1	1	Decal-Battery Isolate Spanish	Adhésif	Aufkleber	Adhesivo	



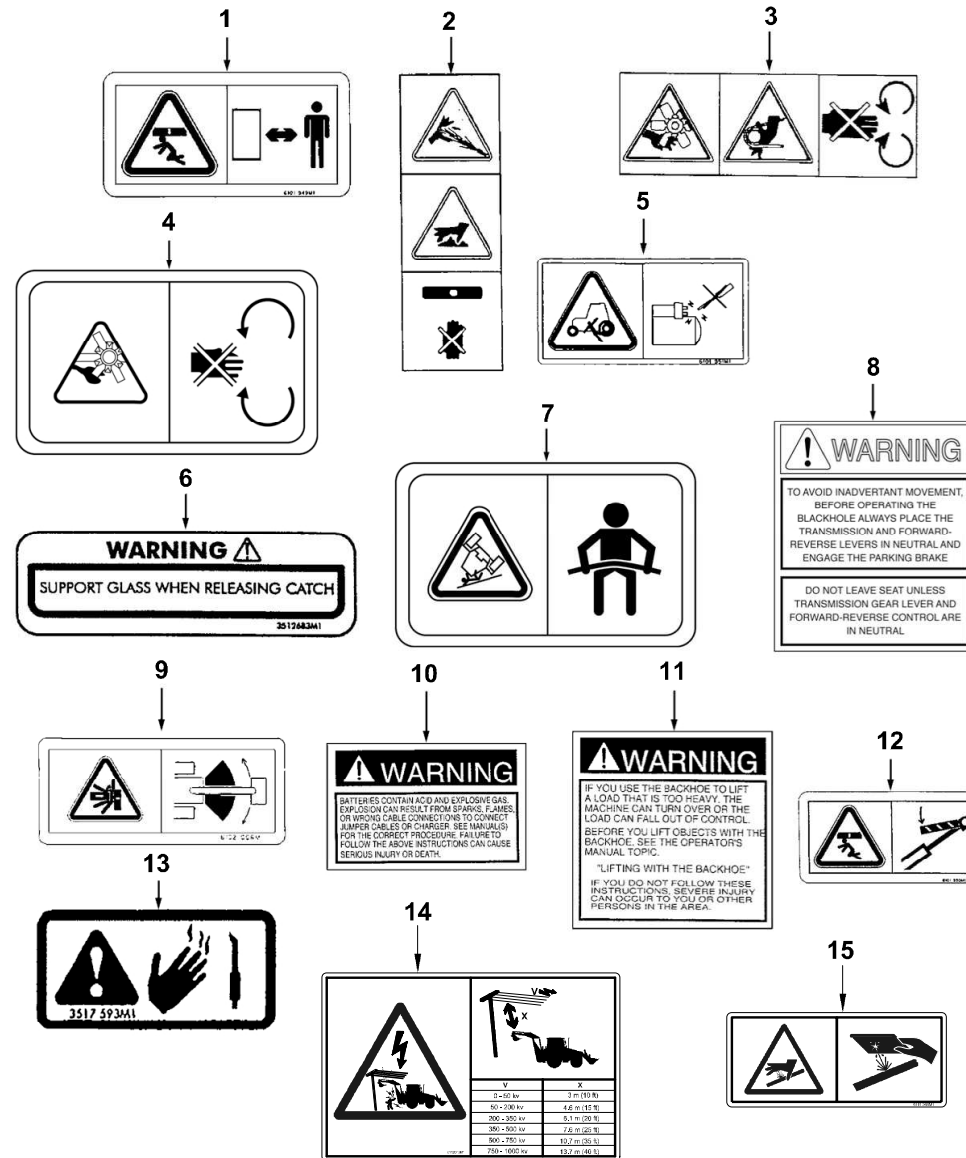
C-93011-03.1-A



Item	Part No.	Qty.	English	French	German	Spanish	Remarks
1	3516906M1	1	Decal Patent	Adhésif	Aufkleber	Adhesivo	
2	3516532M1	1	Decal - Serial Number Border	Adhésif	Aufkleber	Adhesivo	
3	6107927M1	1	Cap Steering Wheel-Terex	Chapeau	Kappe	Sombrerete	



C-93012-01.1-B



Item	Part No.	Qty.	English	French	German	Spanish	Remarks
1	6101949M1	4	Decal-Stay A Safe Distance - Nla	Adhésif	Aufkleber	Adhesivo	
2	6010161M2	1	Decal, Warning - Radiator	Adhésif	Aufkleber	Adhesivo	
3	6010160M2	2	Decal - Fan	Adhésif	Aufkleber	Adhesivo	
4	6010164M1	2	Decal, Warning - Engine Cover	Adhésif	Aufkleber	Adhesivo	
5	6101951M2	1	Decal-Engine Start	Adhésif	Adhésif	Adhesivo	
6	3512683M1	1	Decal Wrng Glass-Eng	Adhésif	Aufkleber	Adhesivo	
7	6101952M2	1	Decal-Avoid Crushing	Adhésif	Aufkleber	Adhesivo	
8	6102184M1	1	Decal-Engage Neutral-Englishh	Adhésif	Aufkleber	Adhesivo	
9	6102056M1	2	Decal-Avoid Crushing	Adhésif	Aufkleber	Adhesivo	
10	321-6714	1	Decal, Warning - Battery	Adhésif	Aufkleber	Adhesivo	
11	321-6046	1	Decal-Warning Boom	Adhésif	Aufkleber	Adhesivo	
12	6101950M2	1	Decal-Secure Lift Cyl.	Adhésif	Aufkleber	Adhesivo	
13	3517593M1	2	Decal Exhaust Warning	Adhésif	Aufkleber	Adhesivo	
14	6112013M1	1	Decal Electrocuton Hazard ISO	Adhésif	Aufkleber	Adhesivo	
15	6111361M1	2	Decal - Injection Skin	Adhésif	Aufkleber	Adhesivo	

C-93012-02.1-D

1

2

3

4

5

PUSH TO OPEN
 POUSSÉZ POUR OUVRIR
 ZUM ÖFFNEN BITTE DRÜCKEN
 SPINGERE PER APRIRE
 PULSAR PARA ABRIR
 EMPURRAR PARA FORA PARA ABRIR
 ÅBEN VED AT SKUBBE UD
 DRUKKEN OM TE OPENEN

6

PULL DOWN TO CLOSE
 TIREZ VERS LE BAS POUR FERMER
 ZUM SCHLIESSEN BITTE HERUNTER ZIEHEN
 TIRARE VERSO IL BASSO PER CHIUDERE
 APRETAR PARA CERRAR
 PUXAR PARA BAIXO PARA FECHAR
 LUK VED AT TRÆKKE NED
 TREKKEN OM TE SLUITEN

7

8

9

MAINTENANCE SUMMARY		M1600M	
ITEM NO.	DESCRIPTION	INTERVAL	REMARKS
1	Check oil level	1000	
2	Check battery electrolyte level	1000	
3	Check tire pressure	1000	
4	Check blade sharpness	1000	
5	Check PTO shaft grease	1000	
6	Check PTO shaft seal	1000	
7	Check PTO shaft nut	1000	
8	Check PTO shaft pin	1000	
9	Check PTO shaft yoke	1000	
10	Check PTO shaft seal	1000	
11	Check PTO shaft nut	1000	
12	Check PTO shaft pin	1000	
13	Check PTO shaft yoke	1000	
14	Check PTO shaft seal	1000	
15	Check PTO shaft nut	1000	
16	Check PTO shaft pin	1000	
17	Check PTO shaft yoke	1000	
18	Check PTO shaft seal	1000	
19	Check PTO shaft nut	1000	
20	Check PTO shaft pin	1000	
21	Check PTO shaft yoke	1000	
22	Check PTO shaft seal	1000	
23	Check PTO shaft nut	1000	
24	Check PTO shaft pin	1000	
25	Check PTO shaft yoke	1000	
26	Check PTO shaft seal	1000	
27	Check PTO shaft nut	1000	
28	Check PTO shaft pin	1000	
29	Check PTO shaft yoke	1000	
30	Check PTO shaft seal	1000	
31	Check PTO shaft nut	1000	
32	Check PTO shaft pin	1000	
33	Check PTO shaft yoke	1000	
34	Check PTO shaft seal	1000	
35	Check PTO shaft nut	1000	
36	Check PTO shaft pin	1000	
37	Check PTO shaft yoke	1000	
38	Check PTO shaft seal	1000	
39	Check PTO shaft nut	1000	
40	Check PTO shaft pin	1000	
41	Check PTO shaft yoke	1000	
42	Check PTO shaft seal	1000	
43	Check PTO shaft nut	1000	
44	Check PTO shaft pin	1000	
45	Check PTO shaft yoke	1000	
46	Check PTO shaft seal	1000	
47	Check PTO shaft nut	1000	
48	Check PTO shaft pin	1000	
49	Check PTO shaft yoke	1000	
50	Check PTO shaft seal	1000	

10

MACHINE LIFTING AND TIE DOWN

11

SEAT ADJUSTMENT

12

MAXIMUM S.W.L
 1000 kg
 2200lbs

13

SWITCH OFF BATTERY ISOLATOR BEFORE LEAVING MACHINE UNATTENDED

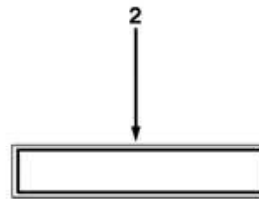
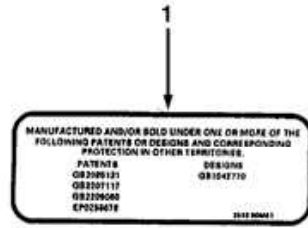
14

1800rpm MAX

15

Item	Part No.	Qty.	English	French	German	Spanish	Remarks
1	6101928M1	1	Decal-Transport Lock	Adhésif	Aufkleber	Adhesivo	
2	3517222M3	1	Decal - Hydraulic Oil	Adhésif	Aufkleber	Adhesivo	
3	6101927M1	1	Decal - Diff Lock	Collant	Aufkleber	Adhesivo	
4	3517221M3	1	Decal - Diesel Fuel	Adhésif	Aufkleber	Adhesivo	
5	3511487M2	1	Decal Push Out Window	Adhésif	Aufkleber	Adhesivo	
6	3511488M2	1	Decal - Pull Down To Close	Adhésif	Aufkleber	Adhesivo	
7	3517702M1	4	Decal - Tie Down	Adhésif	Aufkleber	Adhesivo	
8	3517703M1	4	Decal - Lifting	Adhésif	Aufkleber	Adhesivo	
9	6110328M1	1	Decal (Maintenance) - Nla	Adhésif	Aufkleber	Adhesivo	
10	6102109M1	1	Decal-Lifting/Tie Down	Adhésif	Aufkleber	Adhesivo	
11	6102191M1	1	Decal-Seat Adjustment	Adhésif	Aufkleber	Adhesivo	
12	6102194M1	2	Decal - 1000kg Safe Working Load	Adhésif	Aufkleber	Adhesivo	
13	6108495M1	1	Decal Battery Isolator (English)	Adhésif	Aufkleber	Adhesivo	
14	6109879M2	1	Decal 1800 Rpm Max	Decalcomanie	Aufkleber	Calcomania	
15	6110668M2	1	Decal Hand Throttle	Decalcomanie	Aufkleber	Calcomania	

C-93012-03.1-A



Item	Part No.	Qty.	English	French	German	Spanish	Remarks
1	3516906M1	1	Decal Patent	Adhésif	Aufkleber	Adhesivo	
2	3516532M1	1	Decal - Serial Number Border	Adhésif	Aufkleber	Adhesivo	
3	6107927M1	1	Cap Steering Wheel-Terex	Chapeau	Kappe	Sombreroete	



C-93014-01.1-B

1

2

3

4

5

6

7

8

9

10

11

12

13

Minimum required clearance:	
Line voltage	Required clearance
0 to 50 kv	10 ft (3.0 m)
51 to 250 kv	15 ft (4.6 m)
251 to 350 kv	20 ft (6.1 m)
351 to 750 kv	25 ft (7.6 m)
751 to 1000 kv	35 ft (10.7 m)

14

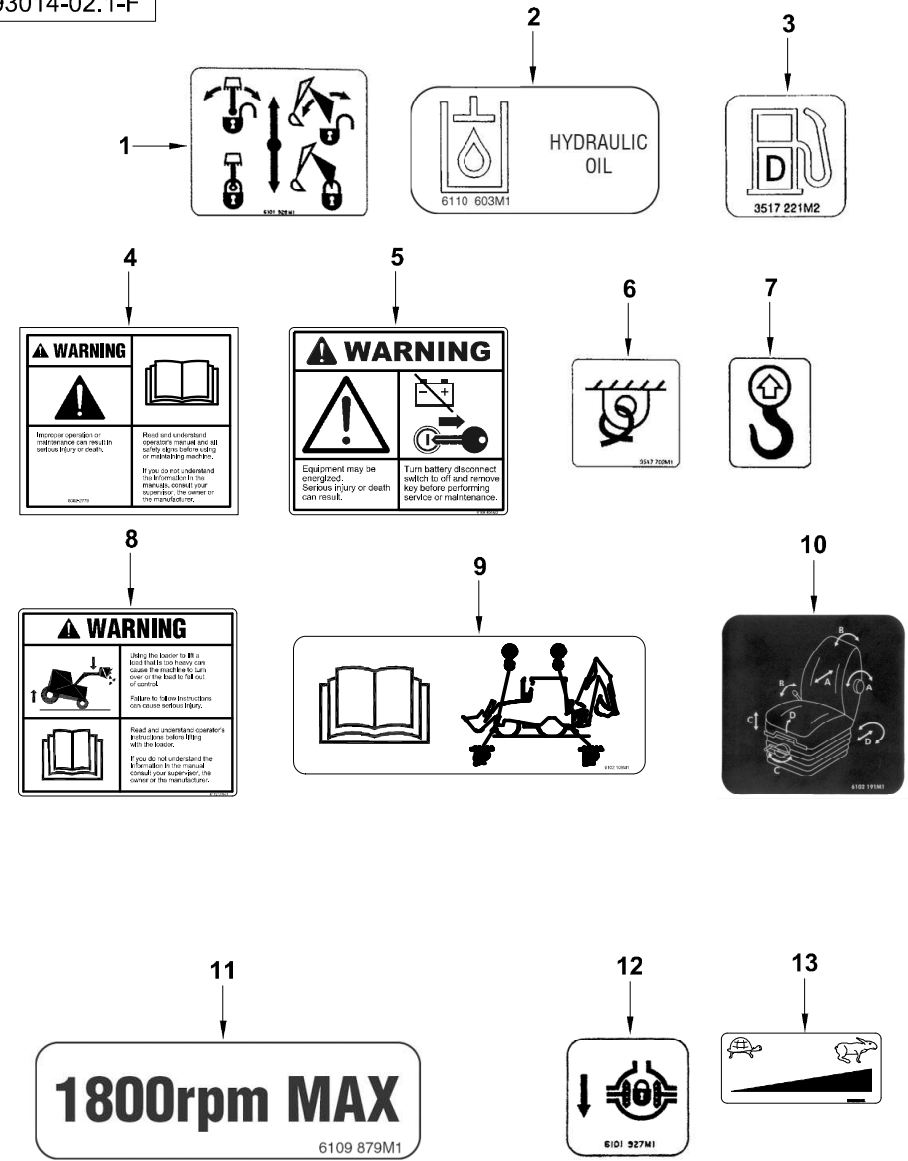
15

16

Item	Part No.	Qty.	English	French	German	Spanish	Remarks
1	6010161M3	1	Decal-Warning Radiator	Adhésif	Aufkleber	Adhesivo	
2	6111264M1	1	Decal - Start Engine	Adhésif	Aufkleber	Adhesivo	
3	6010160M3	1	Decal- Fan (Warning)	Adhésif	Aufkleber	Adhesivo	
4	3517593M2	1	Decal - Exhaust Warning	Adhésif	Aufkleber	Adhesivo	
5	6102184M2	1	Decal - Select Neutral	Adhésif	Aufkleber	Adhesivo	
6	6111359M1	2	Decal - Avoid Crush	Adhésif	Aufkleber	Adhesivo	
7	6010164M2	2	Decal- Rotating Parts	Adhésif	Aufkleber	Adhesivo	
8	8002-2793	2	Secure Cylinder Decal(Us)	Decalcolmanie	Abziehbild	Placa	
9	321-6714	1	Decal, Warning - Battery	Adhésif	Aufkleber	Adhesivo	
10	8002-2801	2	High Pressure Fluid Decal(Us)	Decalcolmanie	Abziehbild	Placa	
11	321-6046	1	Decal-Warning Boom	Adhésif	Aufkleber	Adhesivo	
12	6112043M1	2	Decal - Avoid Crushing	Adhésif	Aufkleber	Adhesivo	
13	6111971M1	1	Decal - Electrocution Hazard	Adhésif	Aufkleber	Adhesivo	
14	6111265M1	2	Decal - Warning (Avoid Crushing)	Adhésif	Aufkleber	Adhesivo	
15	6111263M1	4	Decal Stay Safe Distance	Adhésif	Aufkleber	Adhesivo	
16	8002-2800	1	Seat Belt Fastening Decal(Us)	Decalcolmanie	Abziehbild	Placa	



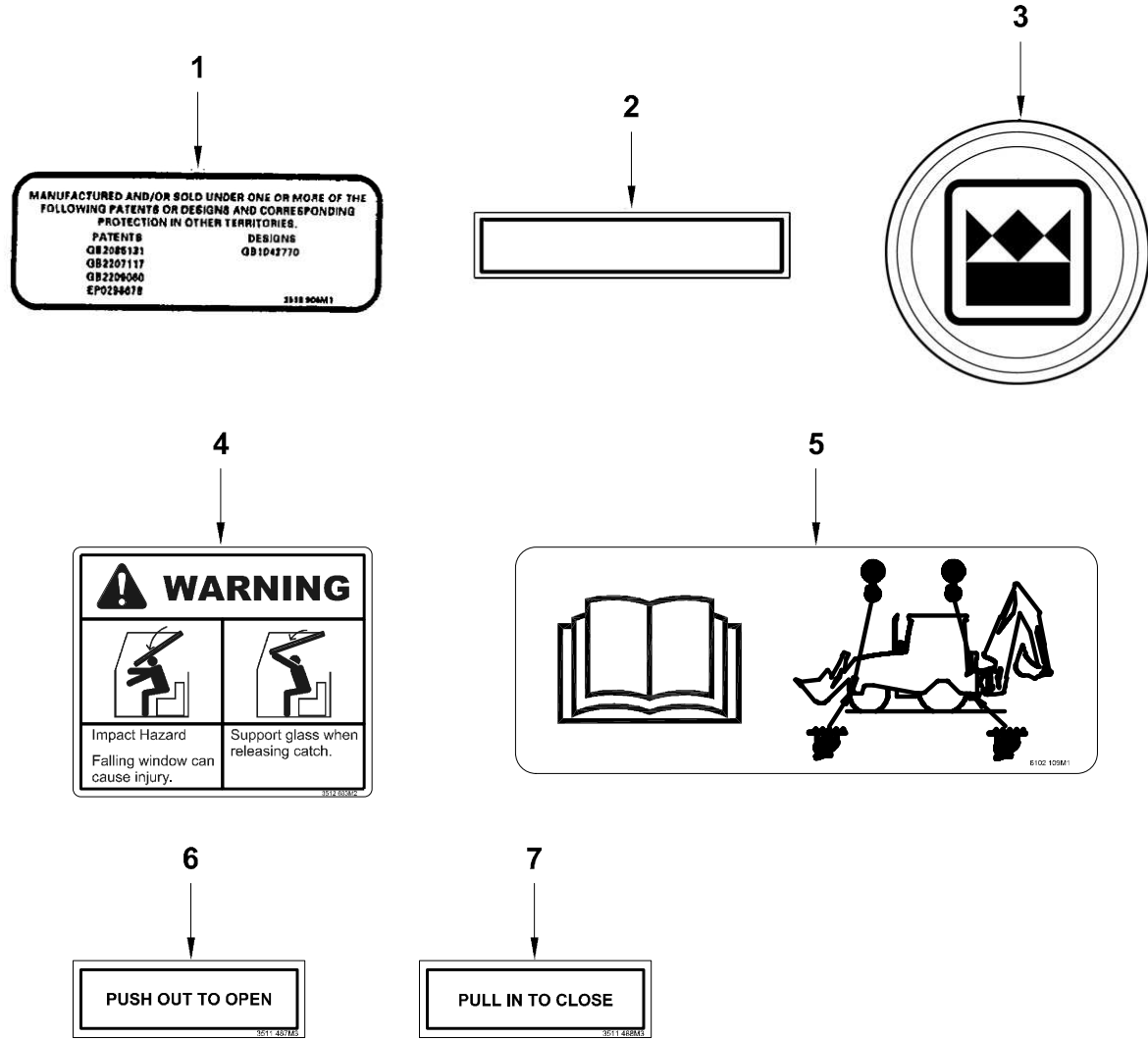
C-93014-02.1-F



Item	Part No.	Qty.	English	French	German	Spanish	Remarks
1	6101928M1	1	Decal-Transport Lock	Adhésif	Aufkleber	Adhesivo	
2	6110603M1	1	Decal - Hydraulic Oil	Adhésif	Aufkleber	Adhesivo	
3	3517221M3	1	Decal - Diesel Fuel	Adhésif	Aufkleber	Adhesivo	
4	8002-2779	1	Decal- Operator Instruction Book	Adhésif	Aufkleber	Adhesivo	
5	6108495M2	1	Decal - Isolate Battery	Adhésif	Aufkleber	Adhesivo	
6	3517702M1	4	Decal - Tie Down	Adhésif	Aufkleber	Adhesivo	
7	3517703M1	4	Decal - Lifting	Adhésif	Aufkleber	Adhesivo	
8	6112014M1	1	Decal Safe Working Load Ansi	Adhésif	Aufkleber	Adhesivo	
9	6102109M2	1	Decal - Lifting & Tie Down	Adhésif	Aufkleber	Adhesivo	
10	6102191M1	1	Decal-Seat Adjustment	Adhésif	Aufkleber	Adhesivo	
11	6109879M2	1	Decal 1800 Rpm Max	Decalcomanie	Aufkleber	Calcomania	
12	6101927M1	1	Decal - Diff Lock	Collant	Aufkleber	Adhesivo	
13	6110668M2	1	Decal Hand Throttle	Decalcomanie	Aufkleber	Calcomania	



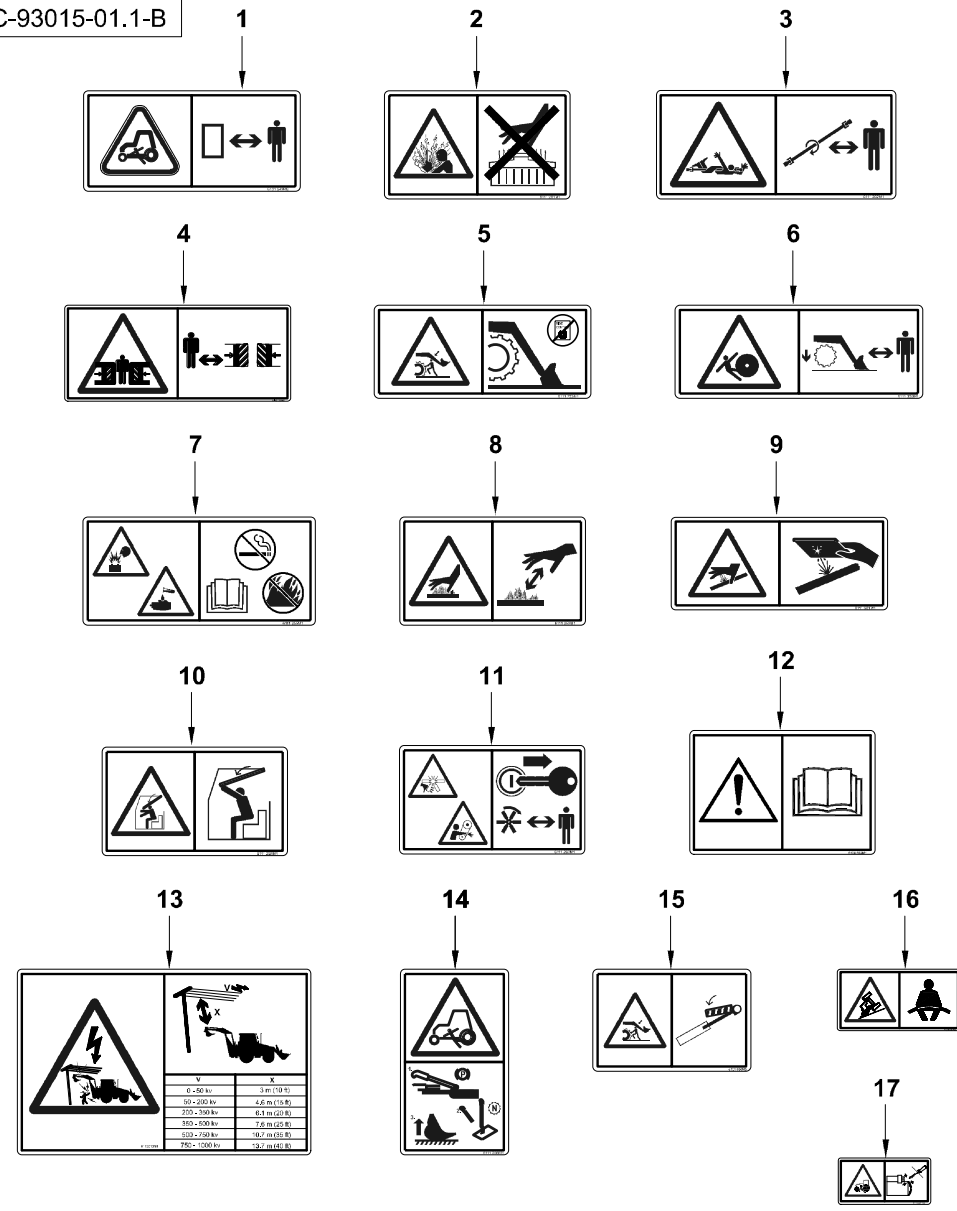
C-93014-03.1-B



Item	Part No.	Qty.	English	French	German	Spanish	Remarks
1	3516906M1	1	Decal Patent	Adhésif	Aufkleber	Adhesivo	
2	3516532M1	1	Decal - Serial Number Border	Adhésif	Aufkleber	Adhesivo	
3	6107927M1	1	Cap Steering Wheel-Terex	Chapeau	Kappe	Sombreroete	
4	3512683M2	1	Decal - Support Glass	Adhésif	Aufkleber	Adhesivo	
5	6102109M2	1	Decal - Lifting & Tie Down	Adhésif	Aufkleber	Adhesivo	
6	3511487M3	1	Decal - Push Out To Open	Adhésif	Aufkleber	Adhesivo	
7	3511488M3	1	Decal - Pull In To Close	Adhésif	Aufkleber	Adhesivo	

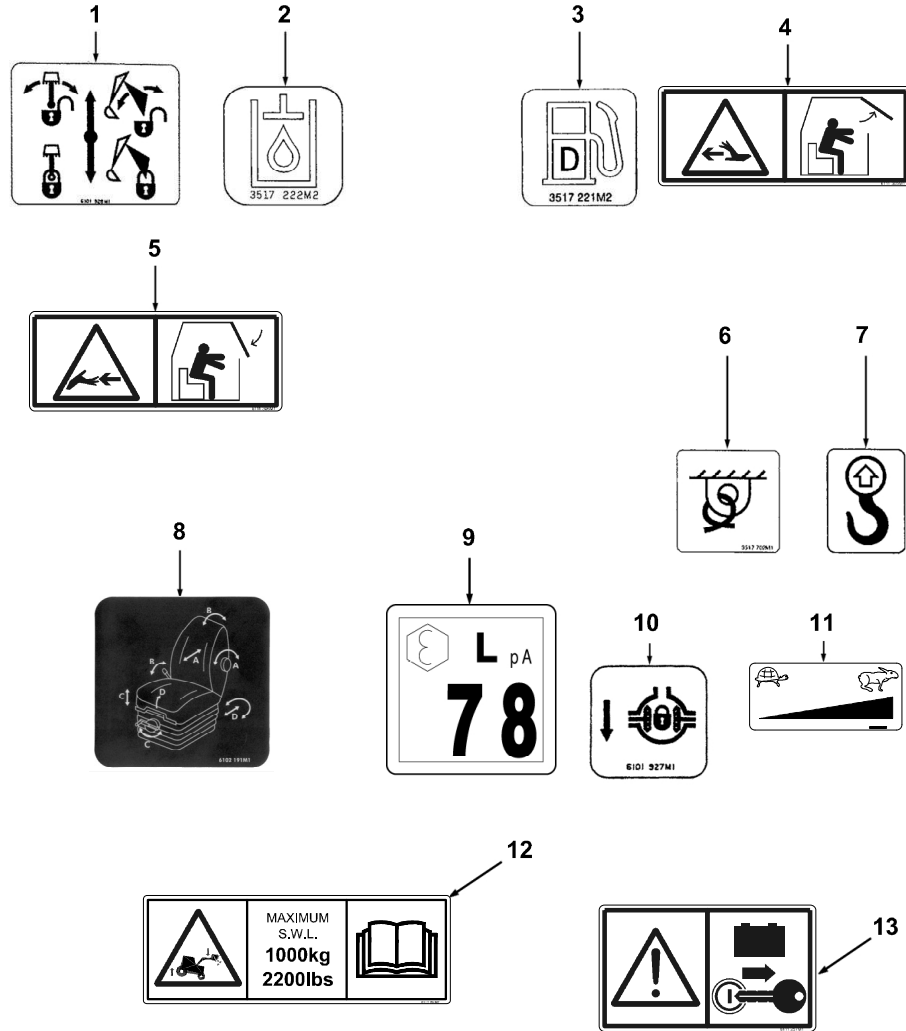


C-93015-01.1-B



Item	Part No.	Qty.	English	French	German	Spanish	Remarks
1	6101949M2	4	Decal Stay A Safe Distance	Adhésif	Aufkleber	Adhesivo	
2	6111261M1	1	Decal - Radiator (Warning)	Adhésif	Aufkleber	Adhesivo	
3	6111262M1	2	Decal - Warning (Rotating Parts)	Adhésif	Aufkleber	Adhesivo	
4	6102056M2	2	Decal - Warning (Avoid Crushing)	Adhésif	Aufkleber	Adhesivo	
5	6111253M2	2	Decal - Avoid Crush	Adhésif	Aufkleber	Adhesivo	
6	6111358M1	2	Decal - Avoid Crush	Adhésif	Aufkleber	Adhesivo	
7	6111255M1	1	Decal - Battery	Adhésif	Aufkleber	Adhesivo	
8	6111259M1	1	Decal - Exhaust (Warning)	Adhésif	Aufkleber	Adhesivo	
9	6111361M1	2	Decal - Injection Skin	Adhésif	Aufkleber	Adhesivo	
10	6111258M1	1	Decal- Support Glass	Adhésif	Aufkleber	Adhesivo	
11	6111260M1	1	Decal- Fan (Warning)	Adhésif	Aufkleber	Adhesivo	
12	6108692M1	1	Decal - Operators Instruction Book	Adhésif	Aufkleber	Adhesivo	
13	6112013M1	1	Decal Electrocutation Hazard ISO	Adhésif	Aufkleber	Adhesivo	
14	6111256M1	1	Decal - Select Neutral	Adhésif	Aufkleber	Adhesivo	
15	6101950M3	2	Decal - Warning (Safety Strut)	Adhésif	Aufkleber	Adhesivo	
16	6101952M3	1	Decal-Avoid Crushing	Adhésif	Aufkleber	Adhesivo	
17	6101951M3	1	Decal - Warning (Start Engine)	Adhésif	Aufkleber	Adhesivo	

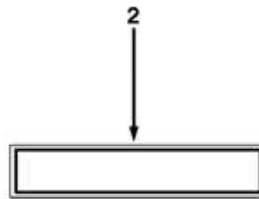
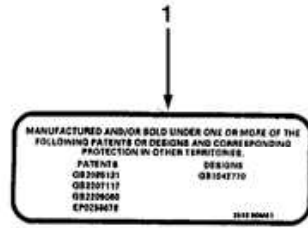
C-93015-02.1-E



Item	Part No.	Qty.	English	French	German	Spanish	Remarks
1	6101928M1	1	Decal-Transport Lock	Adhésif	Aufkleber	Adhesivo	
2	3517222M3	1	Decal - Hydraulic Oil	Adhésif	Aufkleber	Adhesivo	
3	3517221M3	1	Decal - Diesel Fuel	Adhésif	Aufkleber	Adhesivo	
4	6111305M1	1	Decal - Push Window To Open	Adhésif	Aufkleber	Adhesivo	
5	6111306M1	1	Decal - Pull Window To Close	Adhésif	Aufkleber	Adhesivo	
6	3517702M1	4	Decal - Tie Down	Adhésif	Aufkleber	Adhesivo	
7	3517703M1	4	Decal - Lifting	Adhésif	Aufkleber	Adhesivo	
8	6102191M1	1	Decal-Seat Adjustment	Adhésif	Aufkleber	Adhesivo	
9	6009536M1	1	Decal Noise 78	Adhésif	Aufkleber	Adhesivo	
10	6101927M1	1	Decal - Diff Lock	Collant	Aufkleber	Adhesivo	
11	6110668M2	1	Decal Hand Throttle	Decalomanie	Aufkleber	Calcomania	
12	6102194M2	2	Decal - 1000kg Safe Working Load	Adhésif	Aufkleber	Adhesivo	
13	6111257M1	1	Decal - Battery Isolate	Adhésif	Aufkleber	Adhesivo	



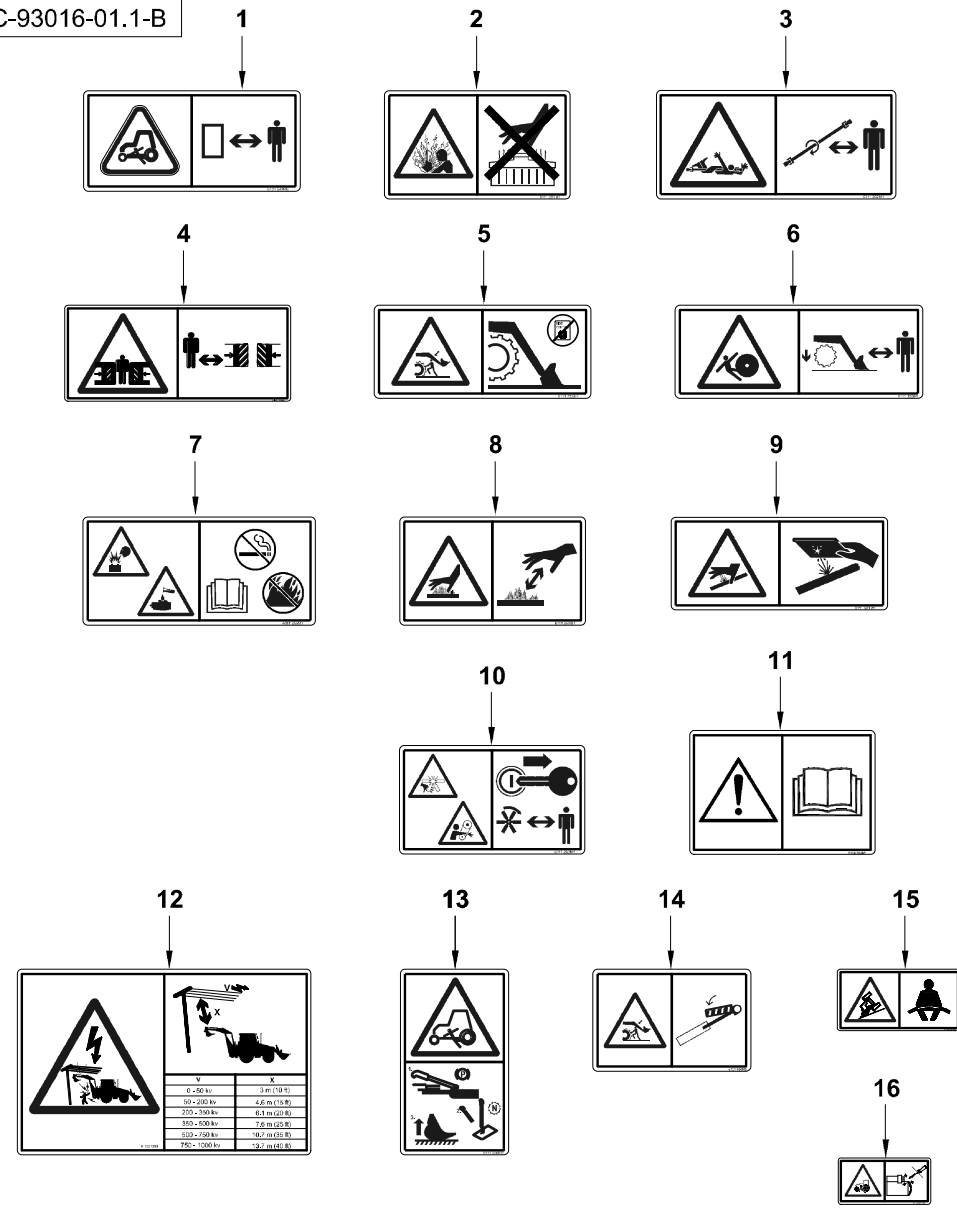
C-93015-03.1-A



Item	Part No.	Qty.	English	French	German	Spanish	Remarks
1	3516906M1	1	Decal Patent	Adhésif	Aufkleber	Adhesivo	
2	3516532M1	1	Decal - Serial Number Border	Adhésif	Aufkleber	Adhesivo	
3	6107927M1	1	Cap Steering Wheel-Terex	Chapeau	Kappe	Sombreroete	

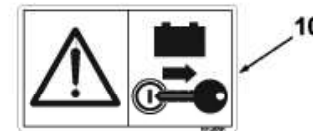
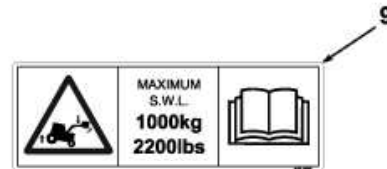
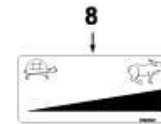
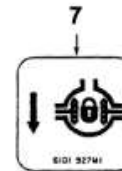
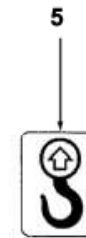
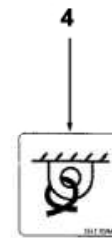
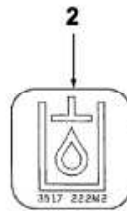
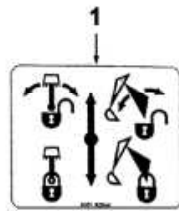


C-93016-01.1-B



Item	Part No.	Qty.	English	French	German	Spanish	Remarks
1	6101949M2	4	Decal Stay A Safe Distance	Adhésif	Aufkleber	Adhesivo	
2	6111261M1	1	Decal - Radiator (Warning)	Adhésif	Aufkleber	Adhesivo	
3	6111262M1	2	Decal - Warning (Rotating Parts)	Adhésif	Aufkleber	Adhesivo	
4	6102056M2	2	Decal - Warning (Avoid Crushing)	Adhésif	Aufkleber	Adhesivo	
5	6111253M2	2	Decal - Avoid Crush	Adhésif	Aufkleber	Adhesivo	
6	6111358M1	2	Decal - Avoid Crush	Adhésif	Aufkleber	Adhesivo	
7	6111255M1	1	Decal - Battery	Adhésif	Aufkleber	Adhesivo	
8	6111259M1	1	Decal - Exhaust (Warning)	Adhésif	Aufkleber	Adhesivo	
9	6111361M1	2	Decal - Injection Skin	Adhésif	Aufkleber	Adhesivo	
10	6111260M1	1	Decal- Fan (Warning)	Adhésif	Aufkleber	Adhesivo	
11	6108692M1	1	Decal - Operators Instruction Book	Adhésif	Aufkleber	Adhesivo	
12	6112013M1	1	Decal Electrocutation Hazard ISO	Adhésif	Aufkleber	Adhesivo	
13	6111256M1	1	Decal - Select Neutral	Adhésif	Aufkleber	Adhesivo	
14	6101950M3	2	Decal - Warning (Safety Strut)	Adhésif	Aufkleber	Adhesivo	
15	6101952M3	1	Decal-Avoid Crushing	Adhésif	Aufkleber	Adhesivo	
16	6101951M3	1	Decal - Warning (Start Engine)	Adhésif	Aufkleber	Adhesivo	

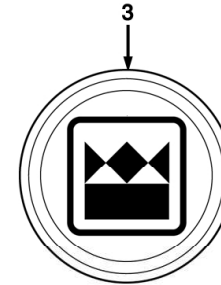
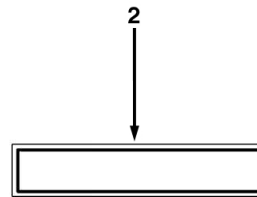
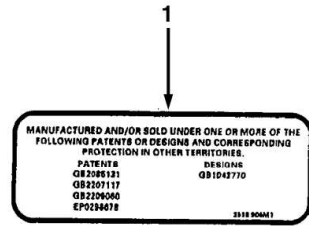
C-93016-02.1-D



Item	Part No.	Qty.	English	French	German	Spanish	Remarks
1	6101928M1	1	Decal-Transport Lock	Adhésif	Aufkleber	Adhesivo	
2	3517222M3	1	Decal - Hydraulic Oil	Adhésif	Aufkleber	Adhesivo	
3	3517221M3	1	Decal - Diesel Fuel	Adhésif	Aufkleber	Adhesivo	
4	3517702M1	4	Decal - Tie Down	Adhésif	Aufkleber	Adhesivo	
5	3517703M1	4	Decal - Lifting	Adhésif	Aufkleber	Adhesivo	
6	6102191M1	1	Decal-Seat Adjustment	Adhésif	Aufkleber	Adhesivo	
7	6101927M1	1	Decal - Diff Lock	Collant	Aufkleber	Adhesivo	
8	6110668M2	1	Decal Hand Throttle	Decalcomanie	Aufkleber	Calcomania	
9	6102194M2	2	Decal - 1000kg Safe Working Load	Adhésif	Aufkleber	Adhesivo	
10	6111257M1	1	Decal - Battery Isolate	Adhésif	Aufkleber	Adhesivo	



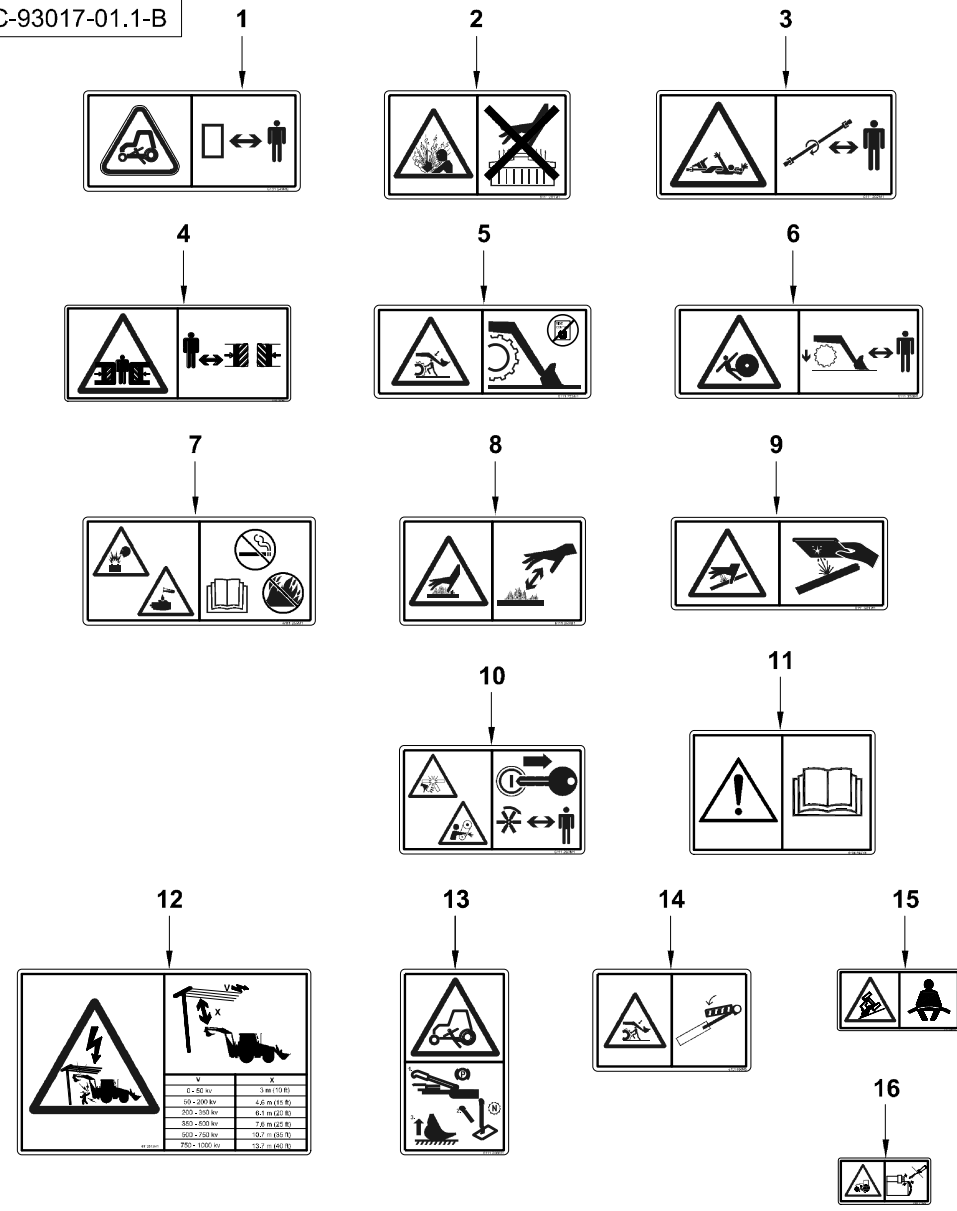
C-93016-03.1-A



Item	Part No.	Qty.	English	French	German	Spanish	Remarks
1	3516906M1	1	Decal Patent	Adhésif	Aufkleber	Adhesivo	
2	3516532M1	1	Decal - Serial Number Border	Adhésif	Aufkleber	Adhesivo	
3	6107927M1	1	Cap Steering Wheel-Terex	Chapeau	Kappe	Sombreroete	



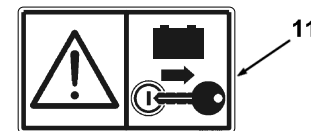
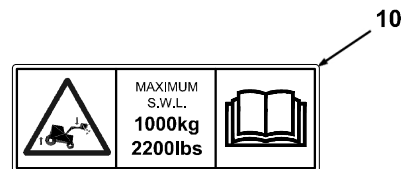
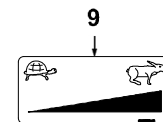
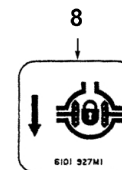
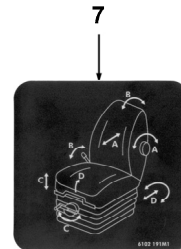
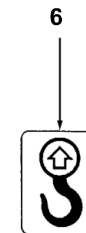
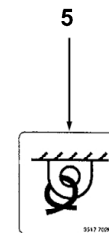
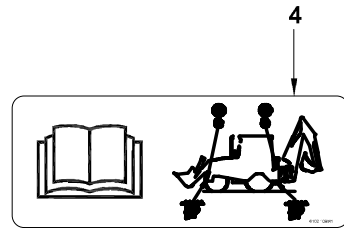
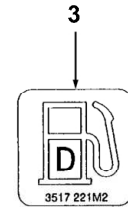
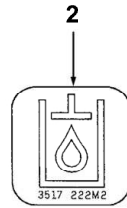
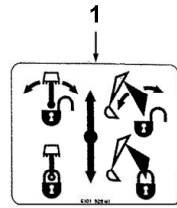
C-93017-01.1-B



Item	Part No.	Qty.	English	French	German	Spanish	Remarks
1	6101949M2	4	Decal Stay A Safe Distance	Adhésif	Aufkleber	Adhesivo	
2	6111261M1	1	Decal - Radiator (Warning)	Adhésif	Aufkleber	Adhesivo	
3	6111262M1	2	Decal - Warning (Rotating Parts)	Adhésif	Aufkleber	Adhesivo	
4	6102056M2	2	Decal - Warning (Avoid Crushing)	Adhésif	Aufkleber	Adhesivo	
5	6111253M2	2	Decal - Avoid Crush	Adhésif	Aufkleber	Adhesivo	
6	6111358M1	2	Decal - Avoid Crush	Adhésif	Aufkleber	Adhesivo	
7	6111255M1	1	Decal - Battery	Adhésif	Aufkleber	Adhesivo	
8	6111259M1	1	Decal - Exhaust (Warning)	Adhésif	Aufkleber	Adhesivo	
9	6111361M1	2	Decal - Injection Skin	Adhésif	Aufkleber	Adhesivo	
10	6111260M1	1	Decal- Fan (Warning)	Adhésif	Aufkleber	Adhesivo	
11	6108692M1	1	Decal - Operators Instruction Book	Adhésif	Aufkleber	Adhesivo	
12	6112013M1	1	Decal Electrocutation Hazard ISO	Adhésif	Aufkleber	Adhesivo	
13	6111256M1	1	Decal - Select Neutral	Adhésif	Aufkleber	Adhesivo	
14	6101950M3	2	Decal - Warning (Safety Strut)	Adhésif	Aufkleber	Adhesivo	
15	6101952M3	1	Decal-Avoid Crushing	Adhésif	Aufkleber	Adhesivo	
16	6101951M3	1	Decal - Warning (Start Engine)	Adhésif	Aufkleber	Adhesivo	



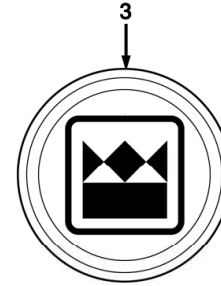
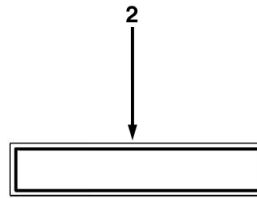
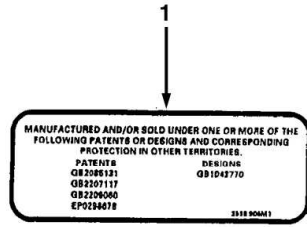
C-93017-02.1-D



Item	Part No.	Qty.	English	French	German	Spanish	Remarks
1	6101928M1	1	Decal-Transport Lock	Adhésif	Aufkleber	Adhesivo	
2	3517222M3	1	Decal - Hydraulic Oil	Adhésif	Aufkleber	Adhesivo	
3	3517221M3	1	Decal - Diesel Fuel	Adhésif	Aufkleber	Adhesivo	
4	6102109M2	1	Decal - Lifting & Tie Down	Adhésif	Aufkleber	Adhesivo	
5	3517702M1	4	Decal - Tie Down	Adhésif	Aufkleber	Adhesivo	
6	3517703M1	4	Decal - Lifting	Adhésif	Aufkleber	Adhesivo	
7	6102191M1	1	Decal-Seat Adjustment	Adhésif	Aufkleber	Adhesivo	
8	6101927M1	1	Decal - Diff Lock	Collant	Aufkleber	Adhesivo	
9	6110668M2	1	Decal Hand Throttle	Decalcomanie	Aufkleber	Calcomania	
10	6102194M2	2	Decal - 1000kg Safe Working Load	Adhésif	Aufkleber	Adhesivo	
11	6111257M1	1	Decal - Battery Isolate	Adhésif	Aufkleber	Adhesivo	



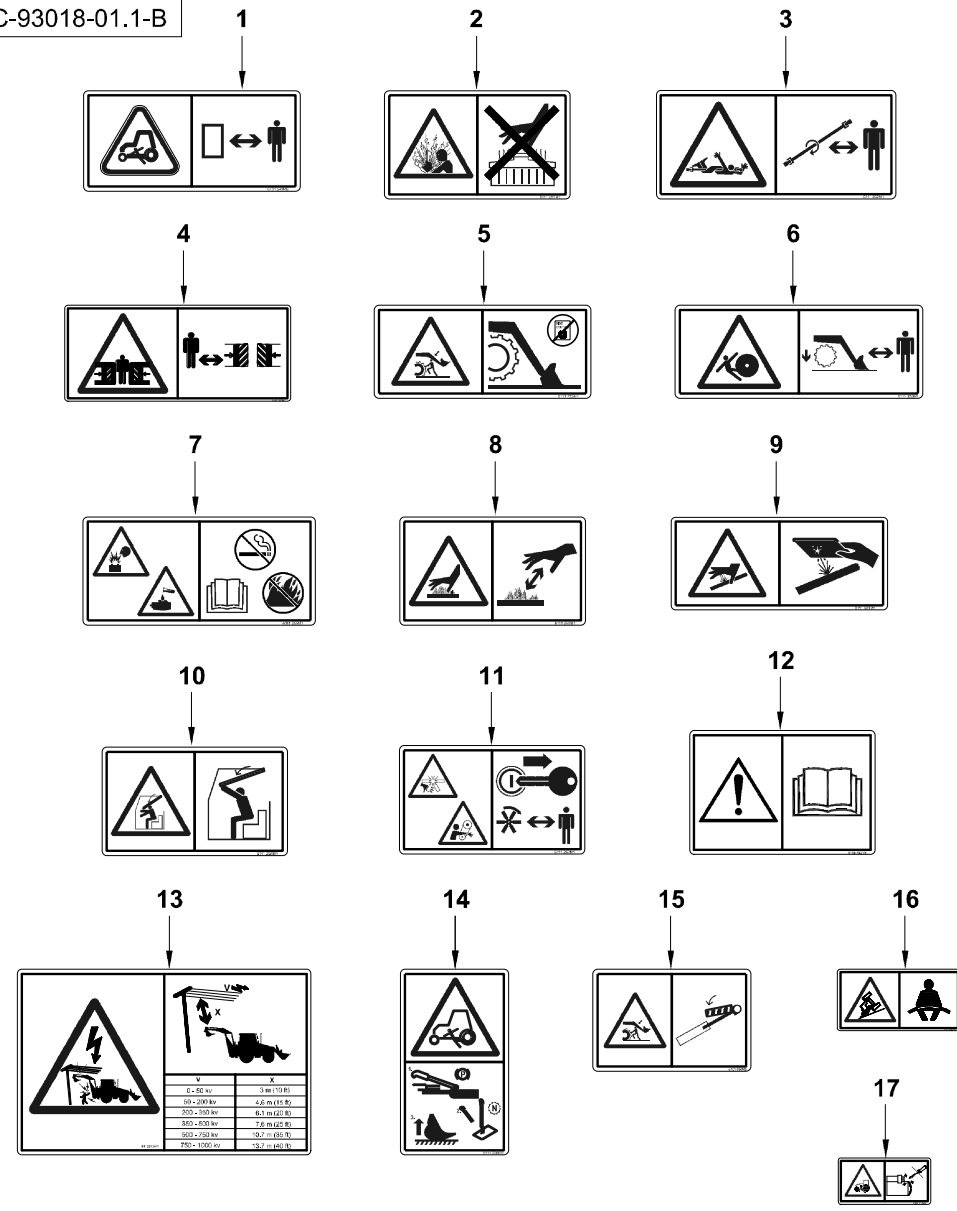
C-93017-03.1-A



Item	Part No.	Qty.	English	French	German	Spanish	Remarks
1	3516906M1	1	Decal Patent	Adhésif	Aufkleber	Adhesivo	
2	3516532M1	1	Decal - Serial Number Border	Adhésif	Aufkleber	Adhesivo	
3	6107927M1	1	Cap Steering Wheel-Terex	Chapeau	Kappe	Sombrerete	

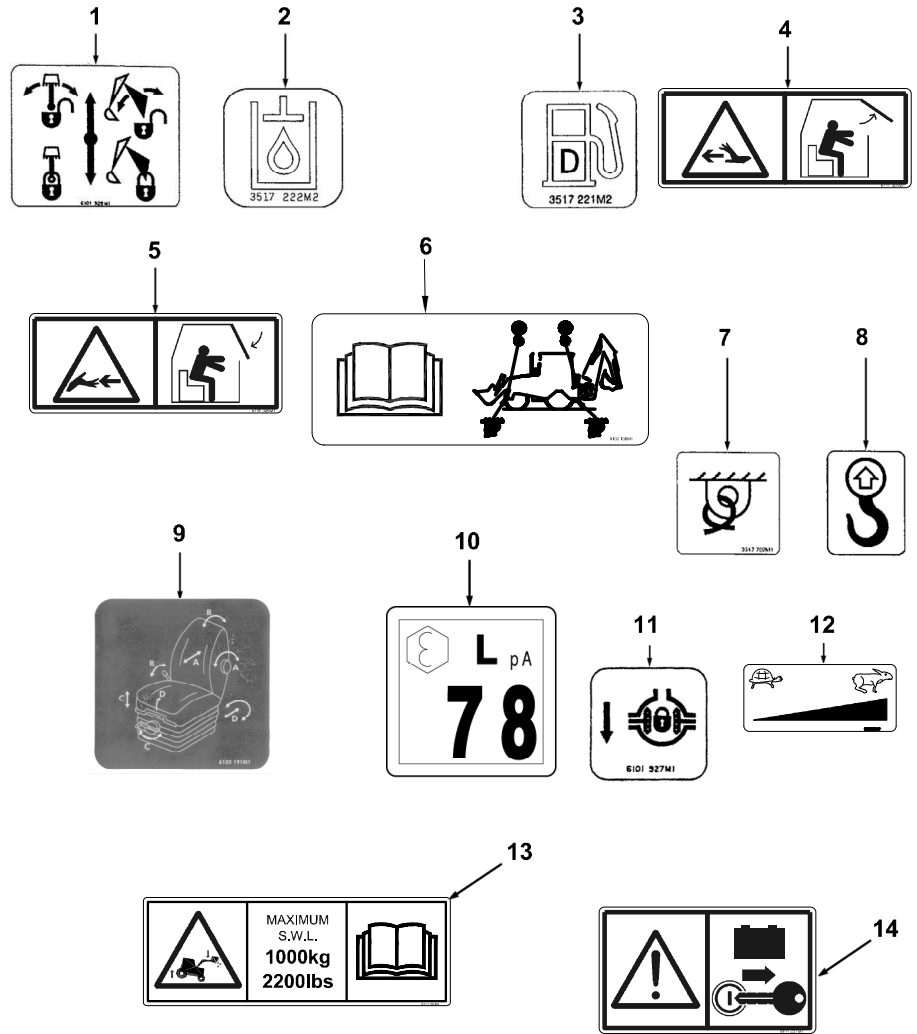


C-93018-01.1-B



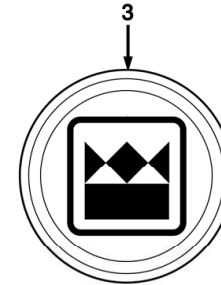
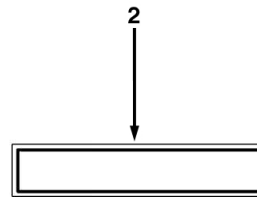
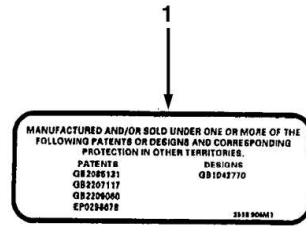
Item	Part No.	Qty.	English	French	German	Spanish	Remarks
1	6101949M2	4	Decal Stay A Safe Distance	Adhésif	Aufkleber	Adhesivo	
2	6111261M1	1	Decal - Radiator (Warning)	Adhésif	Aufkleber	Adhesivo	
3	6111262M1	2	Decal - Warning (Rotating Parts)	Adhésif	Aufkleber	Adhesivo	
4	6102056M2	2	Decal - Warning (Avoid Crushing)	Adhésif	Aufkleber	Adhesivo	
5	6111253M2	2	Decal - Avoid Crush	Adhésif	Aufkleber	Adhesivo	
6	6111358M1	2	Decal - Avoid Crush	Adhésif	Aufkleber	Adhesivo	
7	6111255M1	1	Decal - Battery	Adhésif	Aufkleber	Adhesivo	
8	6111259M1	1	Decal - Exhaust (Warning)	Adhésif	Aufkleber	Adhesivo	
9	6111361M1	2	Decal - Injection Skin	Adhésif	Aufkleber	Adhesivo	
10	6111258M1	1	Decal- Support Glass	Adhésif	Aufkleber	Adhesivo	
11	6111260M1	1	Decal- Fan (Warning)	Adhésif	Aufkleber	Adhesivo	
12	6108692M1	1	Decal - Operators Instruction Book	Adhésif	Aufkleber	Adhesivo	
13	6112013M1	1	Decal Electrocutation Hazard ISO	Adhésif	Aufkleber	Adhesivo	
14	6111256M1	1	Decal - Select Neutral	Adhésif	Aufkleber	Adhesivo	
15	6101950M3	2	Decal - Warning (Safety Strut)	Adhésif	Aufkleber	Adhesivo	
16	6101952M3	1	Decal-Avoid Crushing	Adhésif	Aufkleber	Adhesivo	
17	6101951M3	1	Decal - Warning (Start Engine)	Adhésif	Aufkleber	Adhesivo	

C-93018-02.1-E



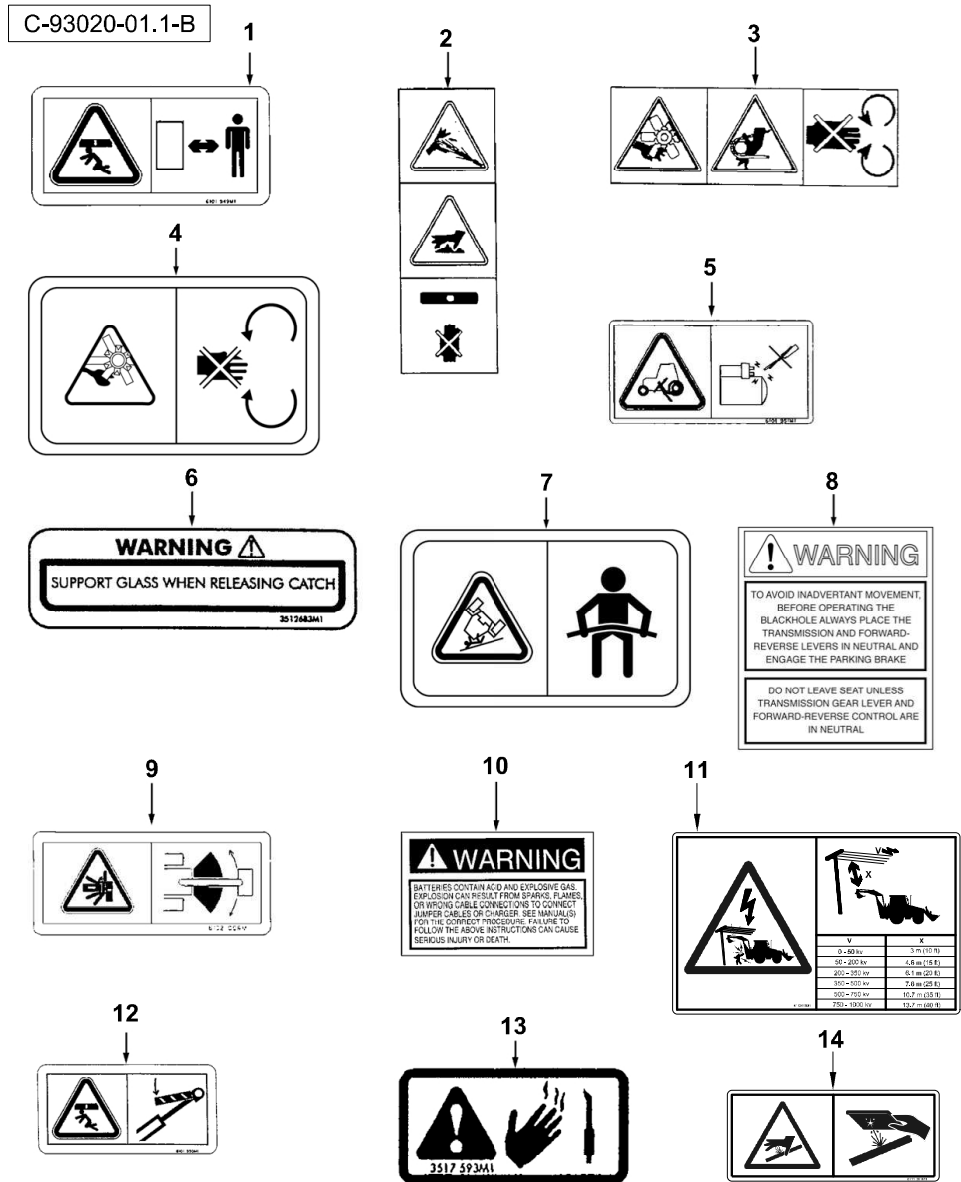
Item	Part No.	Qty.	English	French	German	Spanish	Remarks
1	6101928M1	1	Decal-Transport Lock	Adhésif	Aufkleber	Adhesivo	
2	3517222M3	1	Decal - Hydraulic Oil	Adhésif	Aufkleber	Adhesivo	
3	3517221M3	1	Decal - Diesel Fuel	Adhésif	Aufkleber	Adhesivo	
4	6111305M1	1	Decal - Push Window To Open	Adhésif	Aufkleber	Adhesivo	
5	6111306M1	1	Decal - Pull Window To Close	Adhésif	Aufkleber	Adhesivo	
6	6102109M2	1	Decal - Lifting & Tie Down	Adhésif	Aufkleber	Adhesivo	
7	3517702M1	4	Decal - Tie Down	Adhésif	Aufkleber	Adhesivo	
8	3517703M1	4	Decal - Lifting	Adhésif	Aufkleber	Adhesivo	
9	6102191M1	1	Decal-Seat Adjustment	Adhésif	Aufkleber	Adhesivo	
10	6009536M1	1	Decal Noise 78	Adhésif	Aufkleber	Adhesivo	
11	6101927M1	1	Decal - Diff Lock	Collant	Aufkleber	Adhesivo	
12	6110668M2	1	Decal Hand Throttle	Decalcomanie	Aufkleber	Calcomania	
13	6102194M2	2	Decal - 1000kg Safe Working Load	Adhésif	Aufkleber	Adhesivo	
14	6111257M1	1	Decal - Battery Isolate	Adhésif	Aufkleber	Adhesivo	

C-93018-03.1-A



Item	Part No.	Qty.	English	French	German	Spanish	Remarks
1	3516906M1	1	Decal Patent	Adhésif	Aufkleber	Adhesivo	
2	3516532M1	1	Decal - Serial Number Border	Adhésif	Aufkleber	Adhesivo	
3	6107927M1	1	Cap Steering Wheel-Terex	Chapeau	Kappe	Sombreroete	





Item	Part No.	Qty.	English	French	German	Spanish	Remarks
1	6101949M1	4	Decal-Stay A Safe Distance - Nla	Adhésif	Aufkleber	Adhesivo	
2	6010161M2	1	Decal, Warning - Radiator	Adhésif	Aufkleber	Adhesivo	
3	6010160M2	2	Decal - Fan	Adhésif	Aufkleber	Adhesivo	
4	6010164M1	2	Decal, Warning - Engine Cover	Adhésif	Aufkleber	Adhesivo	
5	6101951M2	1	Decal-Engine Start	Adhésif	Adhésif	Adhesivo	
6	3512687M1	1	Decal Wrng Glass-Ity	Adhésif	Aufkleber	Adhesivo	
7	6101952M2	1	Decal-Avoid Crushing	Adhésif	Aufkleber	Adhesivo	
8	6102190M1	1	Decal - Engage Neutral (Italian)	Adhésif	Aufkleber	Adhesivo	
9	6102056M1	2	Decal-Avoid Crushing	Adhésif	Aufkleber	Adhesivo	
10	321-6750	1	Decal - Battery	Adhésif	Aufkleber	Adhesivo	
11	6112013M1	1	Decal Electrocuton Hazard ISO	Adhésif	Aufkleber	Adhesivo	
12	6101950M2	1	Decal-Secure Lift Cyl.	Adhésif	Aufkleber	Adhesivo	
13	3517593M1	2	Decal Exhaust Warning	Adhésif	Aufkleber	Adhesivo	
14	6111361M1	2	Decal - Injection Skin	Adhésif	Aufkleber	Adhesivo	

C-93020-02.1-D

1

2

3

4

PUSH TO OPEN
 Poussez pour ouvrir
 Zum Öffnen bitte drücken
 Spingere per aprire
 Pulsar para abrir
 Empurrar para fora para abrir
 Åben ved at skubbe ud
 Drukken om te openen

5

PULL DOWN TO CLOSE
 Tirez vers le bas pour fermer
 Zum Schliessen bitte herunter ziehen
 Tirare verso il basso per chiudere
 Apretar para cerrar
 Puxar para baixo para fechar
 Luk ved at trække ned
 Trekken om te sluiten

6

7

8

SEAT ADJUSTMENT

9

L pA
 78

10

11

12

CARICO UTILE MASSIMO 1000 kg

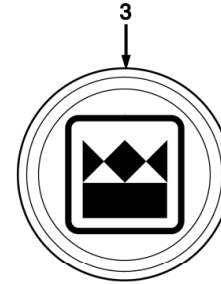
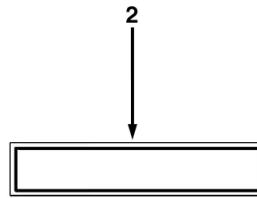
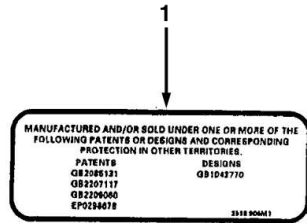
13

SWITCH OFF BATTERY ISOLATOR BEFORE LEAVING MACHINE UNATTENDED

Item	Part No.	Qty.	English	French	German	Spanish	Remarks
1	6101928M1	1	Decal-Transport Lock	Adhésif	Aufkleber	Adhesivo	
2	3517222M3	1	Decal - Hydraulic Oil	Adhésif	Aufkleber	Adhesivo	
3	3517221M3	1	Decal - Diesel Fuel	Adhésif	Aufkleber	Adhesivo	
4	3511487M2	1	Decal Push Out Window	Adhésif	Aufkleber	Adhesivo	
5	3511488M2	1	Decal - Pull Down To Close	Adhésif	Aufkleber	Adhesivo	
6	3517702M1	4	Decal - Tie Down	Adhésif	Aufkleber	Adhesivo	
7	3517703M1	4	Decal - Lifting	Adhésif	Aufkleber	Adhesivo	
8	6102191M1	1	Decal-Seat Adjustment	Adhésif	Aufkleber	Adhesivo	
9	6009536M1	1	Decal Noise 78	Adhésif	Aufkleber	Adhesivo	
10	6101927M1	1	Decal - Diff Lock	Collant	Aufkleber	Adhesivo	
11	6110668M2	1	Decal Hand Throttle	Decalomanie	Aufkleber	Calcomania	
12	6110494M1	2	Decal-1000kg Safe Working Load - Italian	Adhésif	Aufkleber	Adhesivo	
13	6108497M1	1	Decal Battery Isolator(Italian)	Adhésif	Aufkleber	Adhesivo	

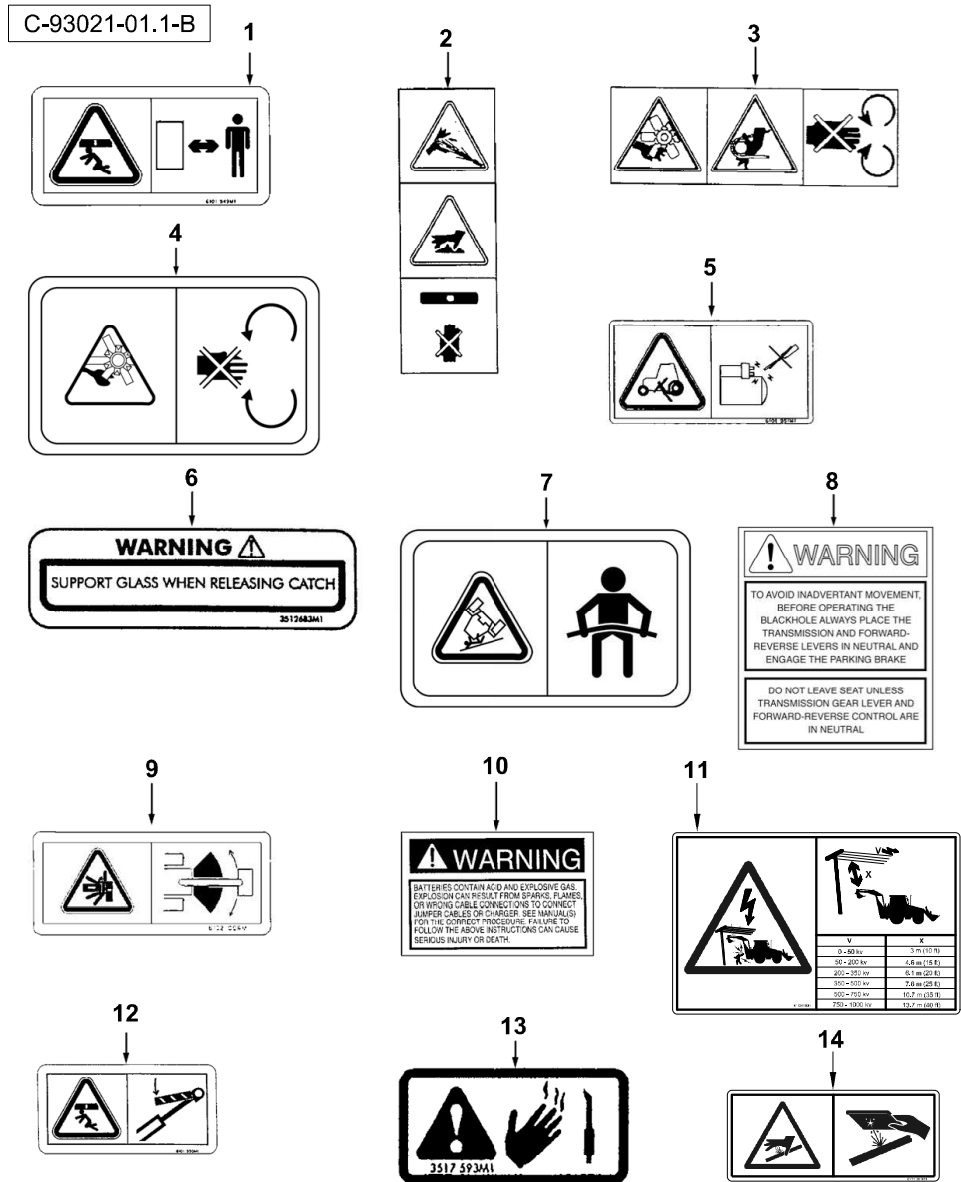


C-93020-03.1-B



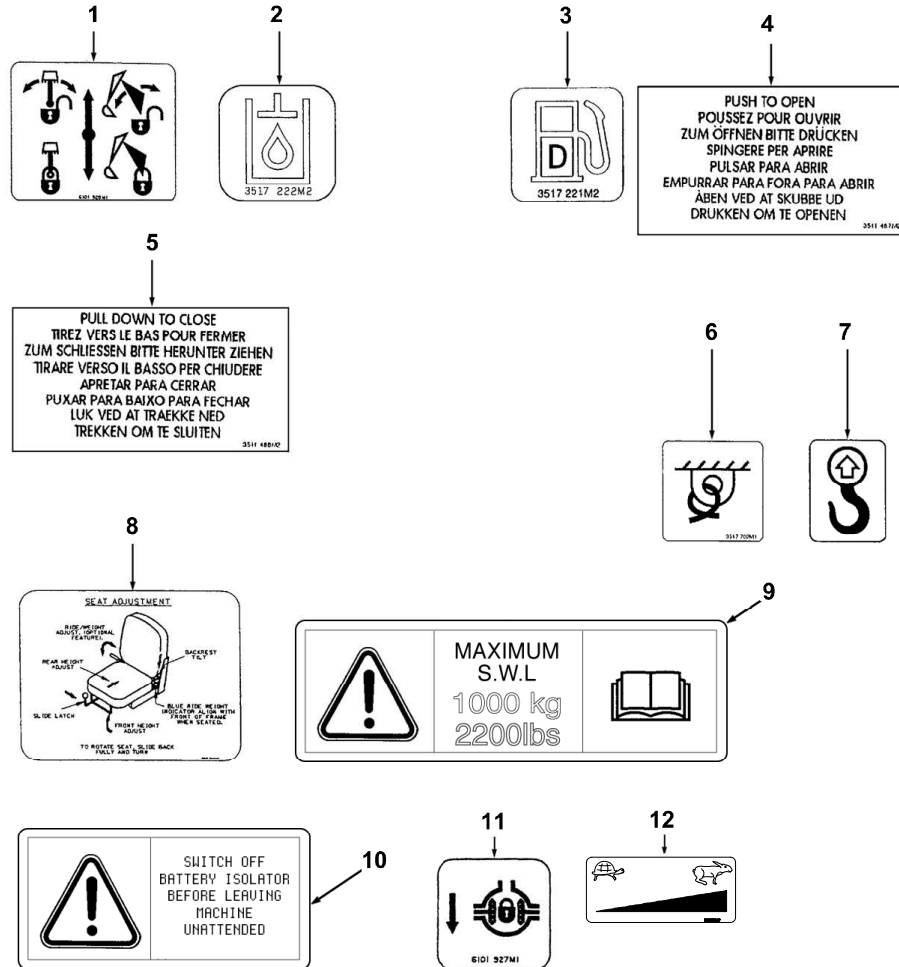
Item	Part No.	Qty.	English	French	German	Spanish	Remarks
1	3516906M1	1	Decal Patent	Adhésif	Aufkleber	Adhesivo	
2	3516532M1	1	Decal - Serial Number Border	Adhésif	Aufkleber	Adhesivo	
3	6107927M1	1	Cap Steering Wheel-Terex	Chapeau	Kappe	Sombrerete	
4	6102158M1	1	Decal - Light Absorbtion	Adhésif	Aufkleber	Adhesivo	
5	6110677M1	2	Decal Stabiliser Leg Stripe	Adhésif	Aufkleber	Adhesivo	





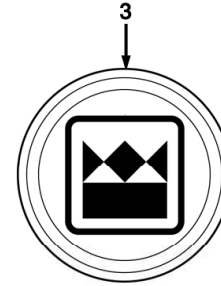
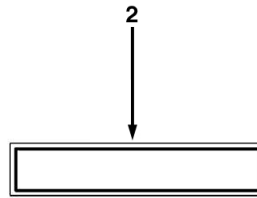
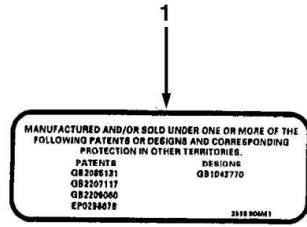
Item	Part No.	Qty.	English	French	German	Spanish	Remarks
1	6101949M1	4	Decal-Stay A Safe Distance - Nla	Adhésif	Aufkleber	Adhesivo	
2	6010161M2	1	Decal, Warning - Radiator	Adhésif	Aufkleber	Adhesivo	
3	6010160M2	2	Decal - Fan	Adhésif	Aufkleber	Adhesivo	
4	6010164M1	2	Decal, Warning - Engine Cover	Adhésif	Aufkleber	Adhesivo	
5	6101951M2	1	Decal-Engine Start	Adhésif	Adhésif	Adhesivo	
6	3512683M1	1	Decal Wrng Glass-Eng	Adhésif	Aufkleber	Adhesivo	
7	6101952M2	1	Decal-Avoid Crushing	Adhésif	Aufkleber	Adhesivo	
8	6102184M1	1	Decal-Engage Neutral-Englishsh	Adhésif	Aufkleber	Adhesivo	
9	6102056M1	2	Decal-Avoid Crushing	Adhésif	Aufkleber	Adhesivo	
10	321-6714	1	Decal, Warning - Battery	Adhésif	Aufkleber	Adhesivo	
11	6112013M1	1	Decal Electrocuton Hazard ISO	Adhésif	Aufkleber	Adhesivo	
12	6101950M2	1	Decal-Secure Lift Cyl.	Adhésif	Aufkleber	Adhesivo	
13	3517593M1	2	Decal Exhaust Warning	Adhésif	Aufkleber	Adhesivo	
14	6111361M1	2	Decal - Injection Skin	Adhésif	Aufkleber	Adhesivo	

C-93021-02.1-D



Item	Part No.	Qty.	English	French	German	Spanish	Remarks
1	6101928M1	1	Decal-Transport Lock	Adhésif	Aufkleber	Adhesivo	
2	3517222M3	1	Decal - Hydraulic Oil	Adhésif	Aufkleber	Adhesivo	
3	3517221M3	1	Decal - Diesel Fuel	Adhésif	Aufkleber	Adhesivo	
4	3511487M2	1	Decal Push Out Window	Adhésif	Aufkleber	Adhesivo	
5	3511488M2	1	Decal - Pull Down To Close	Adhésif	Aufkleber	Adhesivo	
6	3517702M1	4	Decal - Tie Down	Adhésif	Aufkleber	Adhesivo	
7	3517703M1	4	Decal - Lifting	Adhésif	Aufkleber	Adhesivo	
8	6102191M1	1	Decal-Seat Adjustment	Adhésif	Aufkleber	Adhesivo	
9	6102194M1	2	Decal - 1000kg Safe Working Load	Adhésif	Aufkleber	Adhesivo	
10	6108495M1	1	Decal Battery Isolator (English)	Adhésif	Aufkleber	Adhesivo	
11	6101927M1	1	Decal - Diff Lock	Collant	Aufkleber	Adhesivo	
12	6110668M2	1	Decal Hand Throttle	Decalcomanie	Aufkleber	Calcomania	

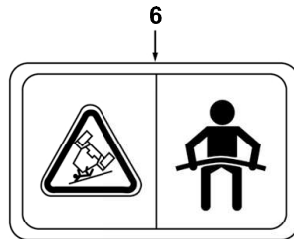
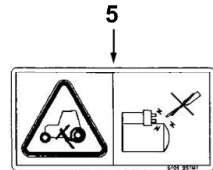
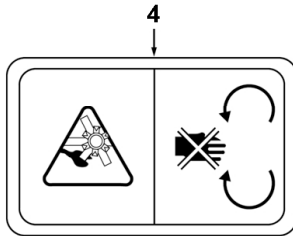
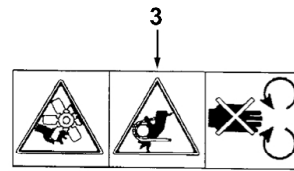
C-93021-03.1-A



Item	Part No.	Qty.	English	French	German	Spanish	Remarks
1	3516906M1	1	Decal Patent	Adhésif	Aufkleber	Adhesivo	
2	3516532M1	1	Decal - Serial Number Border	Adhésif	Aufkleber	Adhesivo	
3	6107927M1	1	Cap Steering Wheel-Terex	Chapeau	Kappe	Sombreroete	



C-93022-01.1-B

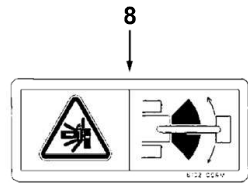


7

! WARNING

TO AVOID INADVERTANT MOVEMENT,
BEFORE OPERATING THE
BLACKHOLE ALWAYS PLACE THE
TRANSMISSION AND FORWARD-
REVERSE LEVERS IN NEUTRAL AND
ENGAGE THE PARKING BRAKE

DO NOT LEAVE SEAT UNLESS
TRANSMISSION GEAR LEVER AND
FORWARD-REVERSE CONTROL ARE
IN NEUTRAL.



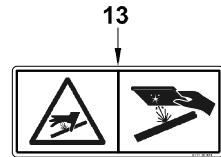
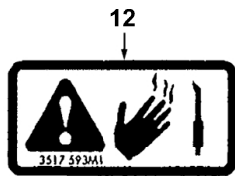
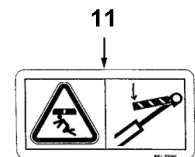
9

! WARNING

BATTERIES CONTAIN ACID AND EXPLOSIVE GAS.
EXPLOSION CAN RESULT FROM SPARKS, FLAMES,
OR WIPING CABLE CONNECTIONS TO CONNECT
JUMPER CABLES OR CHARGER. (SEE MANUAL(S))
FOR THE CORRECT PROCEDURE. FAILURE TO
FOLLOW THE ABOVE INSTRUCTIONS CAN CAUSE
SERIOUS INJURY OR DEATH.

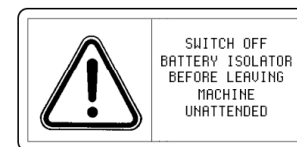
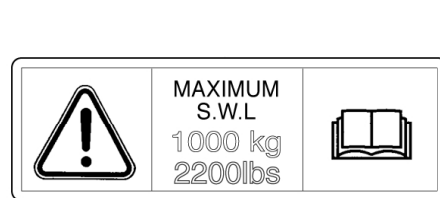
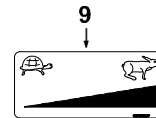
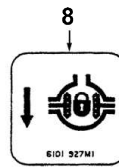
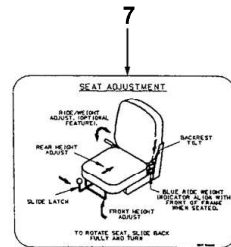
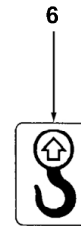
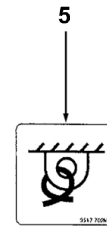
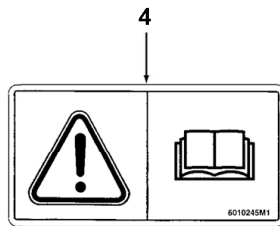
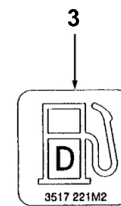
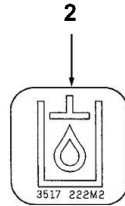
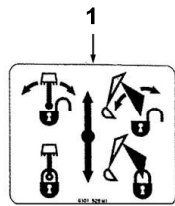
10

V	X
0-48V	0.7m (2ft 7in)
50-200V	0.8m (2ft 6in)
200-380V	0.9m (2ft 11in)
380-500V	2.0m (6ft 7in)
500-750V	1.7m (5ft 6in)
750-1000V	1.7m (5ft 6in)



Item	Part No.	Qty.	English	French	German	Spanish	Remarks
1	6101949M1	4	Decal-Stay A Safe Distance - Nla	Adhésif	Aufkleber	Adhesivo	
2	6010161M2	1	Decal, Warning - Radiator	Adhésif	Aufkleber	Adhesivo	
3	6010160M2	2	Decal - Fan	Adhésif	Aufkleber	Adhesivo	
4	6010164M1	2	Decal, Warning - Engine Cover	Adhésif	Aufkleber	Adhesivo	
5	6101951M2	1	Decal-Engine Start	Adhésif	Adhésif	Adhesivo	
6	6101952M2	1	Decal-Avoid Crushing	Adhésif	Aufkleber	Adhesivo	
7	6102184M1	1	Decal-Engage Neutral-Englishsh	Adhésif	Aufkleber	Adhesivo	
8	6102056M1	2	Decal-Avoid Crushing	Adhésif	Aufkleber	Adhesivo	
9	321-6714	1	Decal, Warning - Battery	Adhésif	Aufkleber	Adhesivo	
10	6112013M1	1	Decal Electrocutation Hazard ISO	Adhésif	Aufkleber	Adhesivo	
11	6101950M2	1	Decal-Secure Lift Cyl.	Adhésif	Aufkleber	Adhesivo	
12	3517593M1	2	Decal Exhaust Warning	Adhésif	Aufkleber	Adhesivo	
13	6111361M1	2	Decal - Injection Skin	Adhésif	Aufkleber	Adhesivo	

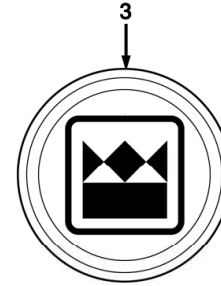
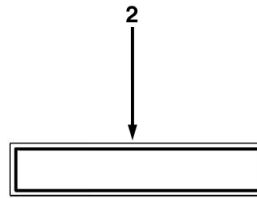
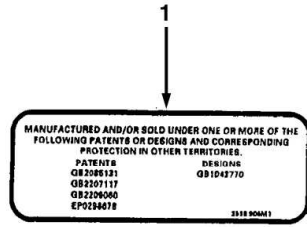
C-93022-02.1-C



Item	Part No.	Qty.	English	French	German	Spanish	Remarks
1	6101928M1	1	Decal-Transport Lock	Adhésif	Aufkleber	Adhesivo	
2	3517222M3	1	Decal - Hydraulic Oil	Adhésif	Aufkleber	Adhesivo	
3	3517221M3	1	Decal - Diesel Fuel	Adhésif	Aufkleber	Adhesivo	
4	6108692M1	1	Decal - Operators Instruction Book	Adhésif	Aufkleber	Adhesivo	
5	3517702M1	4	Decal - Tie Down	Adhésif	Aufkleber	Adhesivo	
6	3517703M1	4	Decal - Lifting	Adhésif	Aufkleber	Adhesivo	
7	6102191M1	1	Decal-Seat Adjustment	Adhésif	Aufkleber	Adhesivo	
8	6101927M1	1	Decal - Diff Lock	Collant	Aufkleber	Adhesivo	
9	6110668M2	1	Decal Hand Throttle	Decalcomanie	Aufkleber	Calcomania	
10	6102194M1	2	Decal - 1000kg Safe Working Load	Adhésif	Aufkleber	Adhesivo	
11	6108495M1	1	Decal Battery Isolator (English)	Adhésif	Aufkleber	Adhesivo	



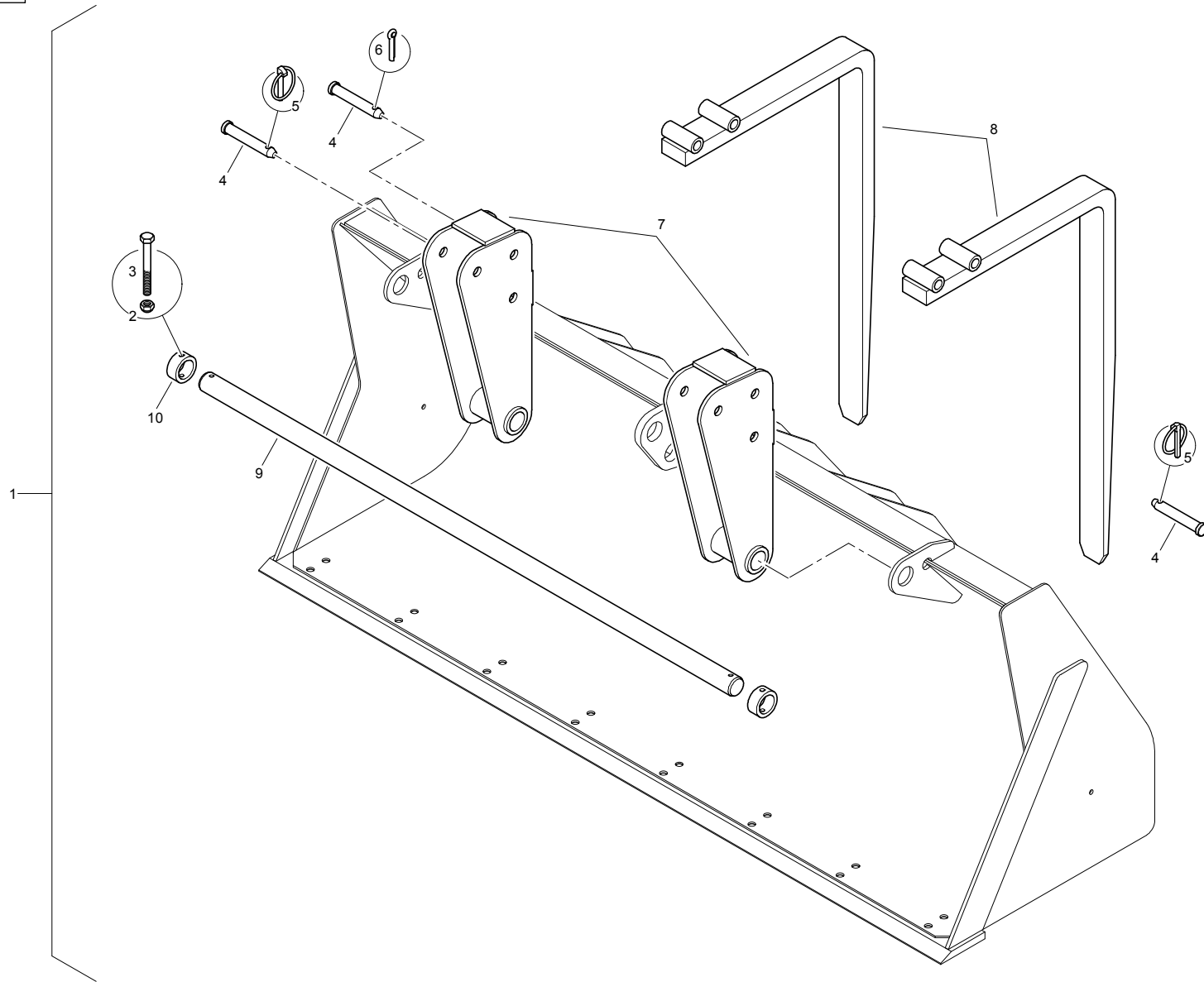
C-93022-03.1-A



Item	Part No.	Qty.	English	French	German	Spanish	Remarks
1	3516906M1	1	Decal Patent	Adhésif	Aufkleber	Adhesivo	
2	3516532M1	1	Decal - Serial Number Border	Adhésif	Aufkleber	Adhesivo	
3	6107927M1	1	Cap Steering Wheel-Terex	Chapeau	Kappe	Sombreroete	



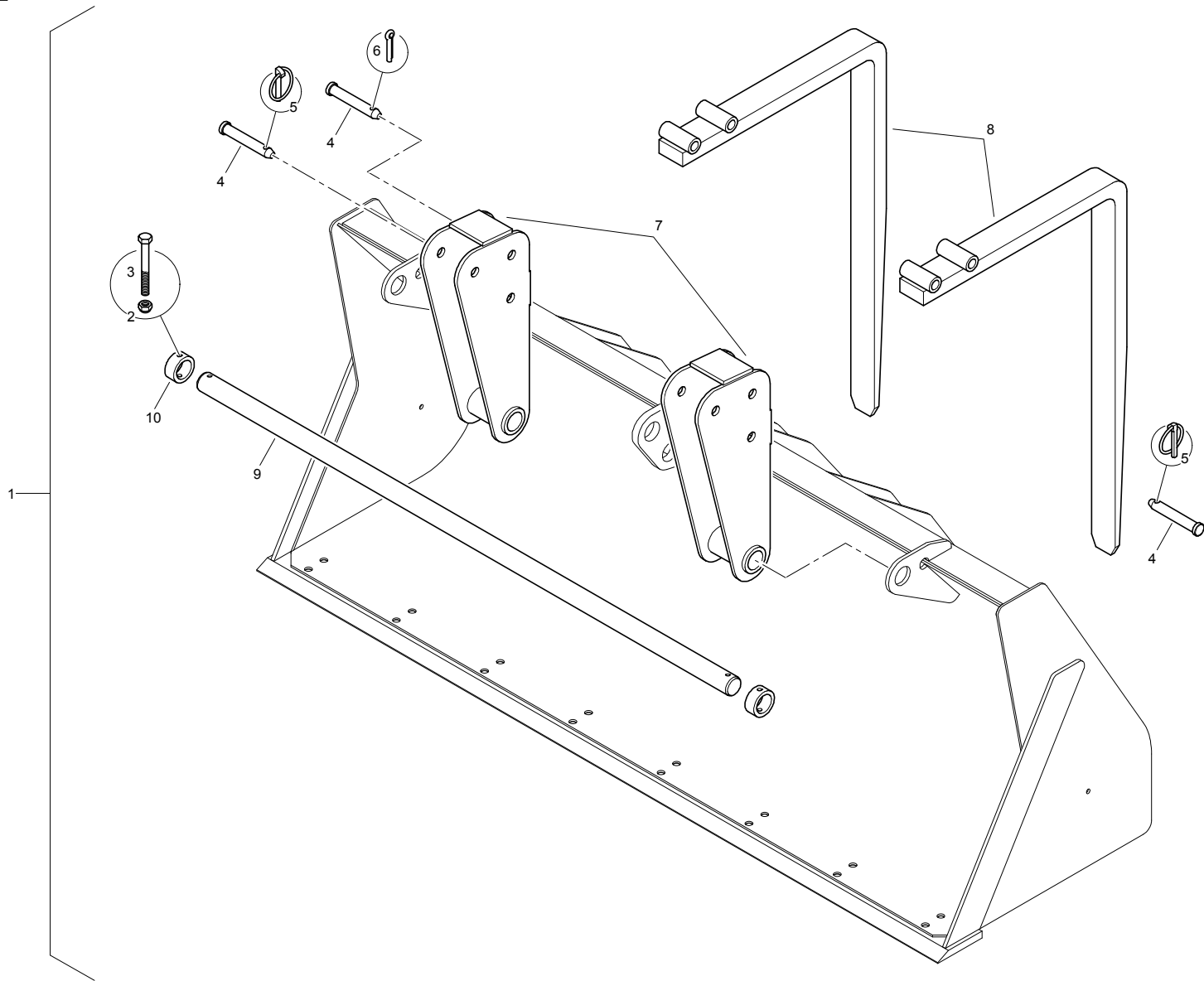
C-94001-01.1-A



Item	Part No.	Qty.	English	French	German	Spanish	Remarks
1	6106224M94	1	Kit, Forks - 1 Cu.Metre Mp Loader Bucket	Jeu De Fourchettes	Reparatursatz, Gabel	Juego De Horquillas	
2	1441932X1	2	Nut M10 Z5 Lock	Ecrou Blocage - M10	Flashmutter - M10	Tuerca	
3	3009503X1	2	Bolt M10-90 Z5s	Boulon	Bolzen	Tornillo	
4	3507537M1	6	Pivot Pin Plain	Goupille	Bolzen	Pasador	
5	810285M92	4	Linch Pin & Ring	Goupille D´Arrêt	Klappstecker	Pasador De Parada	
6	1442984X1	2	Pin Cotter 10.0x50.0	Goupille Fendue	Splint	Pasador	
7	6103661M92	2	Pivot - Fermec Loader Bucket Fork.	Ensemble De Pivot	Wellenzapfen Kpl.	Pivote, Conj.	
8	3519728M91	2	Fork Arm (B)	Fourchette	Gabel	Horquilla, Conj.	
9	6103667M1	1	Bar-Ldr Bucket Fork Pivot	Barre	Stab	Barra	
10	6103668M1	2	Boss-Ldr Bucket Fork	Bossage	Anschweißauge	Saliente	



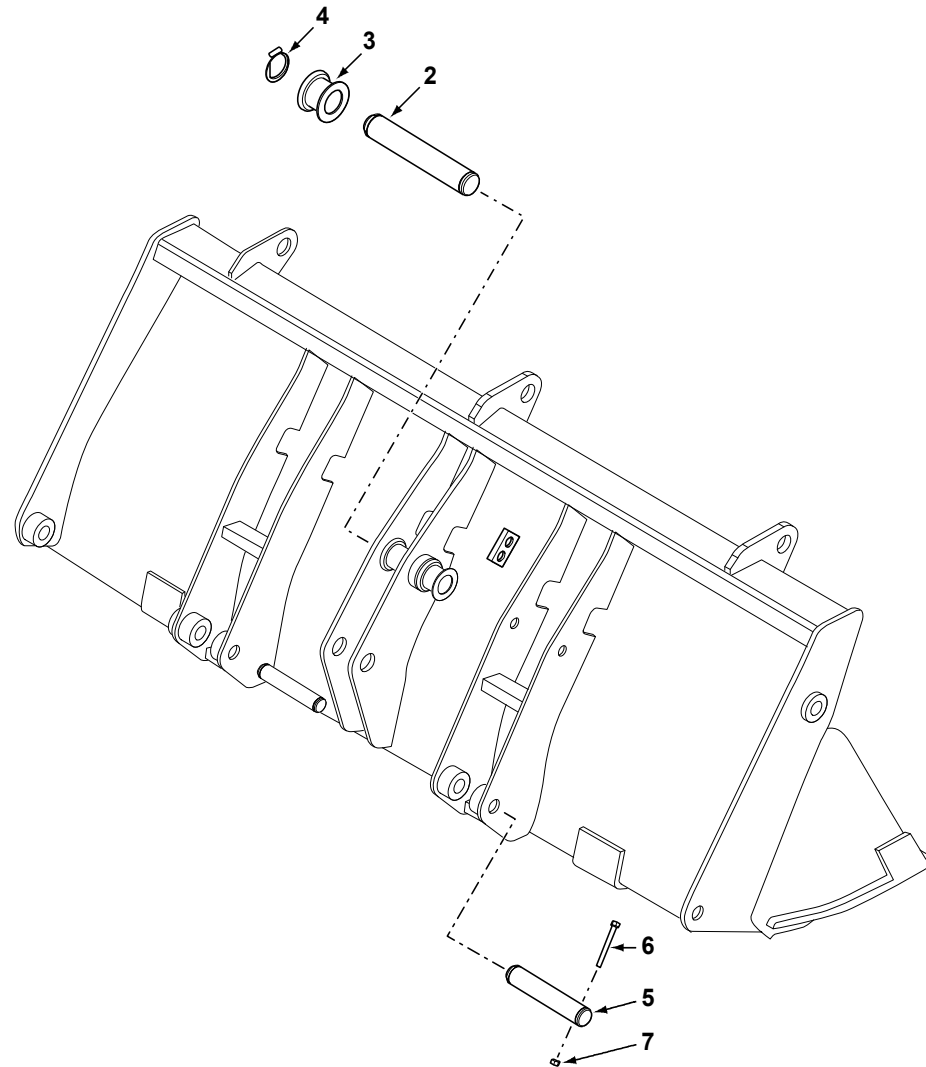
C-94002-01.1-A



Item	Part No.	Qty.	English	French	German	Spanish	Remarks
1	6106254M94	1	Kit-1.2 Cm Ldr Bucket Fork	Jeu De Fourchettes	Reparatursatz	Juego De Horquillas	
2	1441932X1	2	Nut M10 Z5 Lock	Ecrou Blocage - M10	Flashmutter - M10	Tuerca	
3	3009503X1	2	Bolt M10-90 Z5s	Boulon	Bolzen	Tornillo	
4	3507537M1	6	Pivot Pin Plain	Goupille	Bolzen	Pasador	
5	810285M92	4	Linch Pin & Ring	Goupille D'Arrêt	Klappstecker	Pasador De Parada	
6	1442984X1	2	Pin Cotter 10.0x50.0	Goupille Fendue	Splint	Pasador	
7	6103661M92	2	Pivot - Fermec Loader Bucket Fork.	Ensemble De Pivot	Wellenzapfen Kpl.	Pivote, Conj.	
8	3516339M91	2	Fork Arm	Fourchette	Gabel	Horquilla, Conj.	
9	6103667M1	1	Bar-Ldr Bucket Fork Pivot	Barre	Stab	Barra	
10	6103668M1	2	Boss-Ldr Bucket Fork	Bossage	Anschweißauge	Saliente	



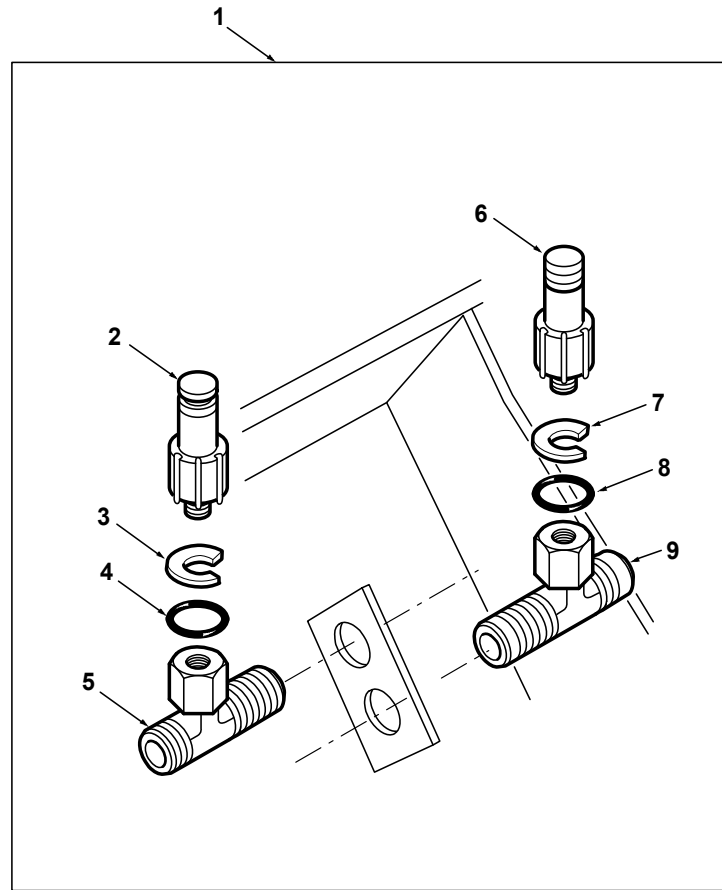
C-94003-01.1-A



Item	Part No.	Qty.	English	French	German	Spanish	Remarks
1	3519969M93	1	Kit, Pins - Loader Quick Attach	Lot De Pièces	Ersatzteilpaket	Juego De Piezas	
2	6100158M2	1	Pin-Ldr Q/Attach	Axe	Bolzen	Pasador	
3	6100156M1	2	Adaptor	Adaptateur	Reduziernippel	Rodillo	
4	391129X1	2	Circlip - External - 50mm	Segment D ´ Arrêt	Sicherungsring	Anillo De Resorte	
5	3520042M5	2	Pin	Goupille	Bolzen	Pasador	
6	3516014M1	2	Bolt - M10 X 90	Boulon - M10 X 90	Maschschraube M10	Tornillo	
7	1440329X1	2	Nut, Hex. - Nyloc, M10	Ecrou Blocage	Flachmutter M10	Tuerca De Retención	



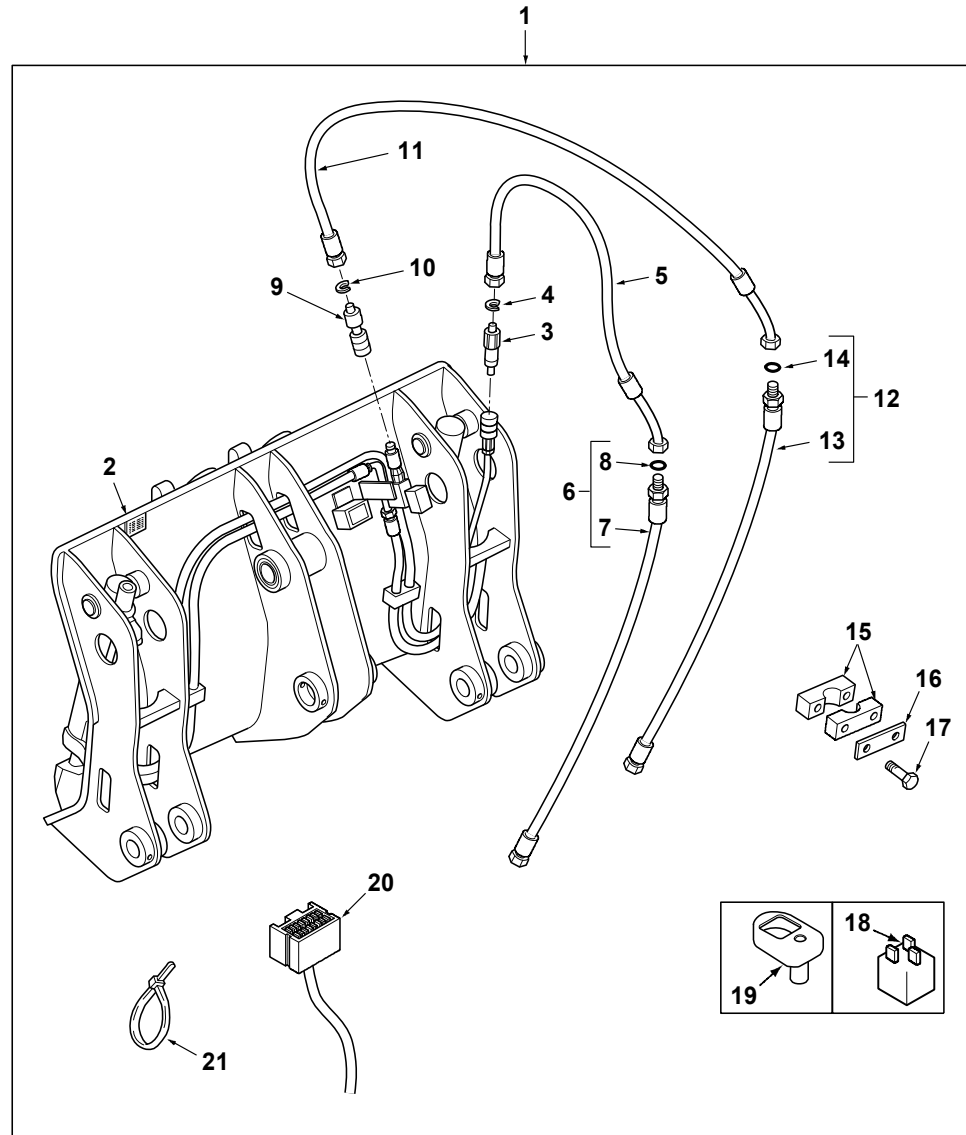
C-94004-01.1-A



Item	Part No.	Qty.	English	French	German	Spanish	Remarks
1	6106781M91	1	Kit Tube Quick Attach	Lot De Pièces	Ersatzteilpaket	Juego De Piezas	
2	6009429M91	1	Coupling Male	Accouplement	Kuppist Innen	Acoplamiento	
3	6009715M1	1	Ring Retaining	Segment D'Arrêt	Befestigungsring	Anillo De Retención	
4	1442477X1	1	O Ring	Joint Torique	O-Ring	Junta De Tipo O	
5	6106782M1	1	Adaptor-Ldr Bucket Q/Att.	Adaptateur	Reduziernippel	Adaptador	
6	6009430M91	1	Coupling Female	Accouplement	Kuppist Aussen	Acoplamiento	
7	6009715M1	1	Ring Retaining	Segment D'Arrêt	Befestigungsring	Anillo De Retención	
8	1442477X1	1	O Ring	Joint Torique	O-Ring	Junta De Tipo O	
9	6106782M1	1	Adaptor-Ldr Bucket Q/Att.	Adaptateur	Reduziernippel	Adaptador	

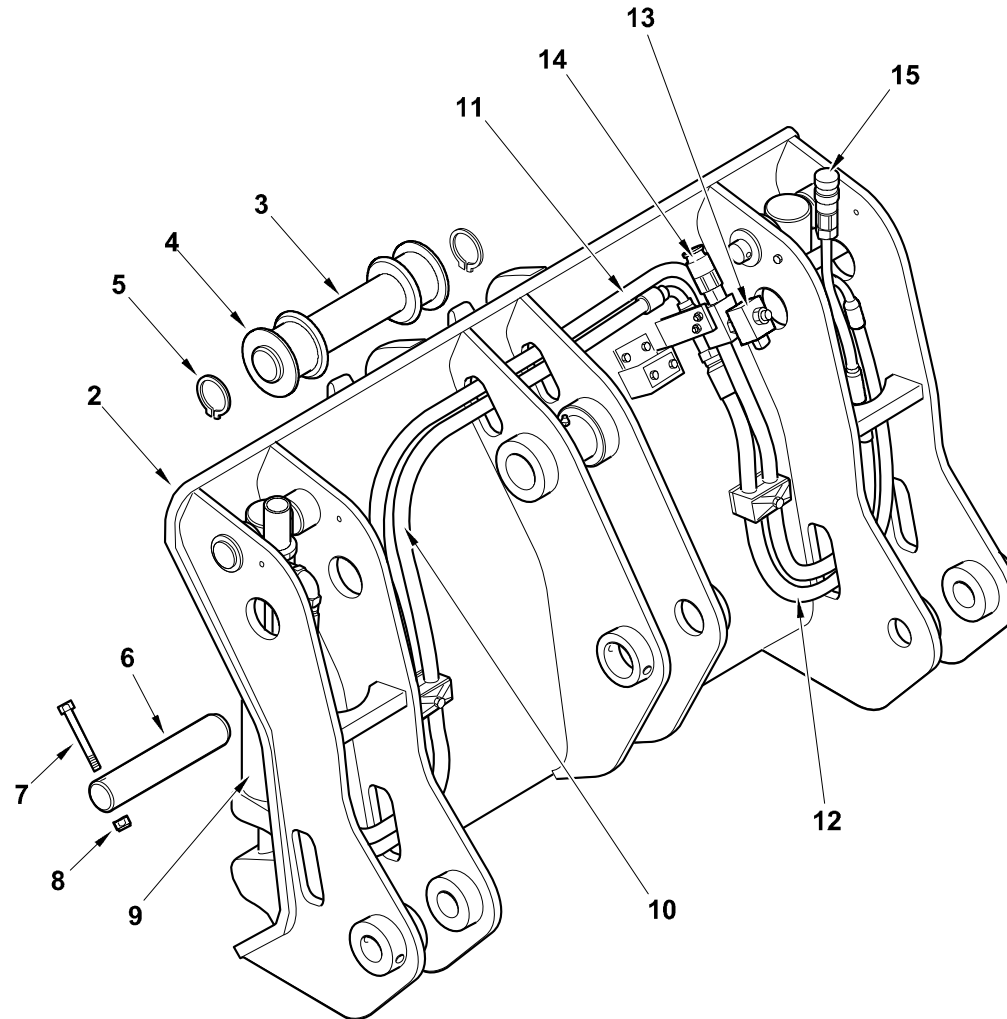


C-94005-01.1-A



Item	Part No.	Qty.	English	French	German	Spanish	Remarks
1	6101884M93	1	Kit, Loader Quick Attach - Std/Mp Bucket	Lot De Pièces	Ersatzteilpaket	Juego De Piezas	
2	6101684M92	1	Loader Quick Attach	Ensem. D'Attel. Rapide	Schnellkupplung Kpl	Engan. Rápido, Conj.	94005c02.1 1
3	6009429M91	1	Coupling Male	Accouplement	Kuppist Innen	Acoplamiento	
4	6009715M1	1	Ring Retaining	Segment D'Arrêt	Befestigungsring	Anillo De Retención	
5	6100351M91	1	Hose Assy Qa	Flexible Ass.	Schlauch Kpl	Flexible, Conj.	
6	6101549M92	1	Hose Assy	Flexible	Schlauch	Tubo Flexible	
7	#HOSE	1	Hose	Hose	Hose	Hose	Ref. 6
8	1442477X1	1	O Ring	Joint Torique	O-Ring	Junta De Tipo O	
9	6009430M91	1	Coupling Female	Accouplement	Kuppist Aussen	Acoplamiento	
10	6009715M1	1	Ring Retaining	Segment D'Arrêt	Befestigungsring	Anillo De Retención	
11	6100351M91	1	Hose Assy Qa	Flexible Ass.	Schlauch Kpl	Flexible, Conj.	
12	6101549M92	1	Hose Assy	Flexible	Schlauch	Tubo Flexible	
13	#HOSE	1	Hose	Hose	Hose	Hose	Ref. 12
14	1442477X1	1	O Ring	Joint Torique	O-Ring	Junta De Tipo O	
15	6102788M1	4	Fixing Bracket	Patte Fixation	Halter	Brida De Fijación	
16	1462583M1	2	Plate-Clamp	Plaque	Platte	Placa	
17	339096X1	4	Bolt M6-35 Z5s	Goupille	Bolzen M6 X 35	Tornillo	
18	6102490M1	1	Relay-Micro	Relais	Relais	Relé	Position RI31
19	6101777M91	1	Cover Assy. - Switch Operating	Cache	Abdeckung	Tapa	
20	3519951M91	1	Harness Ldr Qa	Faisceau	Beschirrung	Haz	
21	1862425M1	12	Tie 385mm T50I	Attache Cable	Kabelbinder	Enlace De Cable	

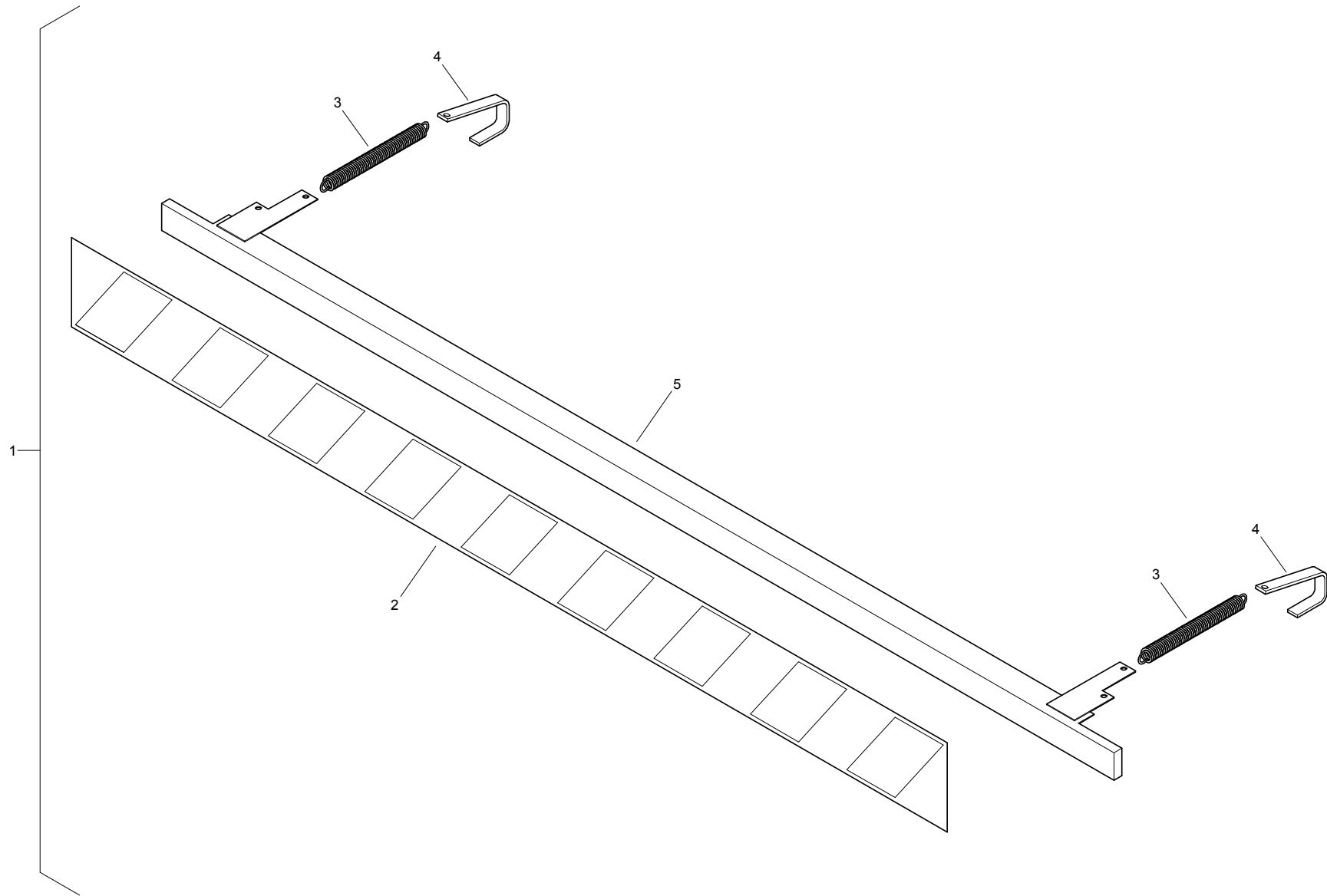
C-94005-02.1-A



Item	Part No.	Qty.	English	French	German	Spanish	Remarks
1	6101684M92	1	Loader Quick Attach	Ensem. D&Attel. Rapide	Schnellkupplung Kpl	Engan. Rápido, Conj.	94005c01.1 2
2	#BODY	1	Body	Body	Body	Body	
3	6100158M2	1	Pin-Ldr Q/Attach	Axe	Bolzen	Pasador	
4	6100156M1	2	Adaptor	Adaptateur	Reduziernippel	Rodillo	
5	391129X1	2	Circlip - External - 50mm	Segment D'Arrêt	Sicherungsring	Anillo De Resorte	
6	3520042M5	2	Pin	Goupille	Bolzen	Pasador	
7	3516014M1	2	Bolt - M10 X 90	Boulon - M10 X 90	Maschschraube M10	Tornillo	
8	1440329X1	2	Nut, Hex. - Nyloc, M10	Ecrou Blocage	Flachmutter M10	Tuerca De Retención	
9	6194647M91	2	Cylinder	Verin	Zylinder	Cilindro	
10	6194648M91	1	Hose Assembly	Ensemble Durit	Schlauch Kpl	Flexible, Conj.	
11	6194649M91	1	Hose Assembly	Ensemble Durit	Schlauch Kpl	Flexible, Conj.	
12	6194650M91	1	Hose Assembly	Ensemble Durit	Schlauch Kpl	Flexible, Conj.	
13	6194646M91	1	Solenoid Assembly	Solenoide	Magnetspule	Solenoide	
14	6009429M91	1	Coupling Male	Accouplement	Kuppist Innen	Acoplamiento	
15	6009430M91	1	Coupling Female	Accouplement	Kuppist Aussen	Acoplamiento	



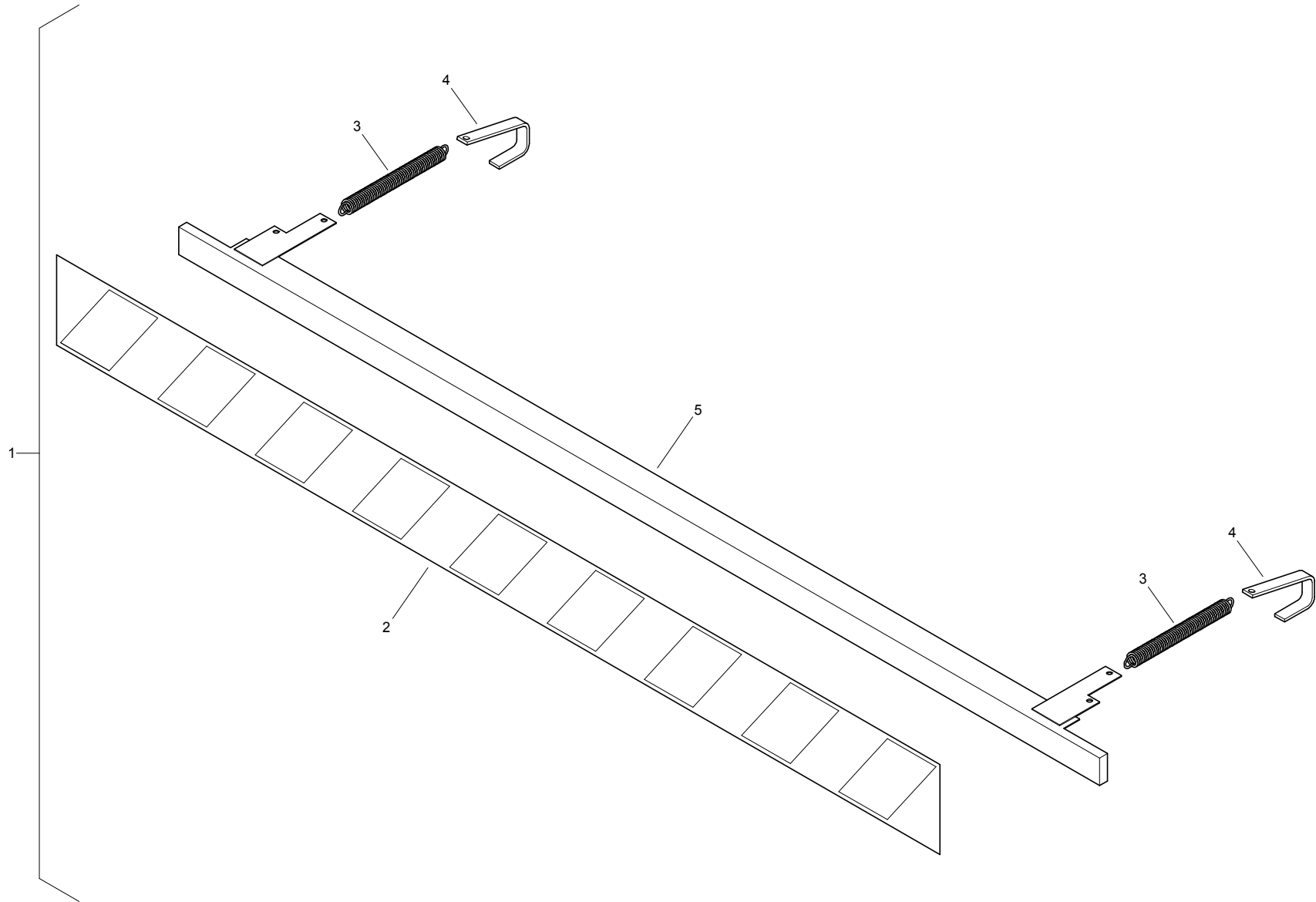
C-95001-01.1-A



Item	Part No.	Qty.	English	French	German	Spanish	Remarks
1	3519785M91	1	Kit - Tooth Guard (Wide + Decal) Mlt Bkt	Démodé	Überholt	Protector, Conj.	
2	1471920M1	1	Decal, Warning - Ldr. Bucket Teeth Guard	Adhésif	Aufkleber	Adhesivo	
3	1470338M1	2	Spring, Retaining - Loader Bucket Guard	Siège De Ressort	Federsitz	Muelle	
4	6106687M1	2	Hook, Retaining - Ldr. Bkt. Teeth Guard	Patte De Fixation	Halter	Pata De Fijación	
5	3522151M93	1	Guard, Loader Bucket Teeth - Wide	Protecteur	Schutz	Protector	



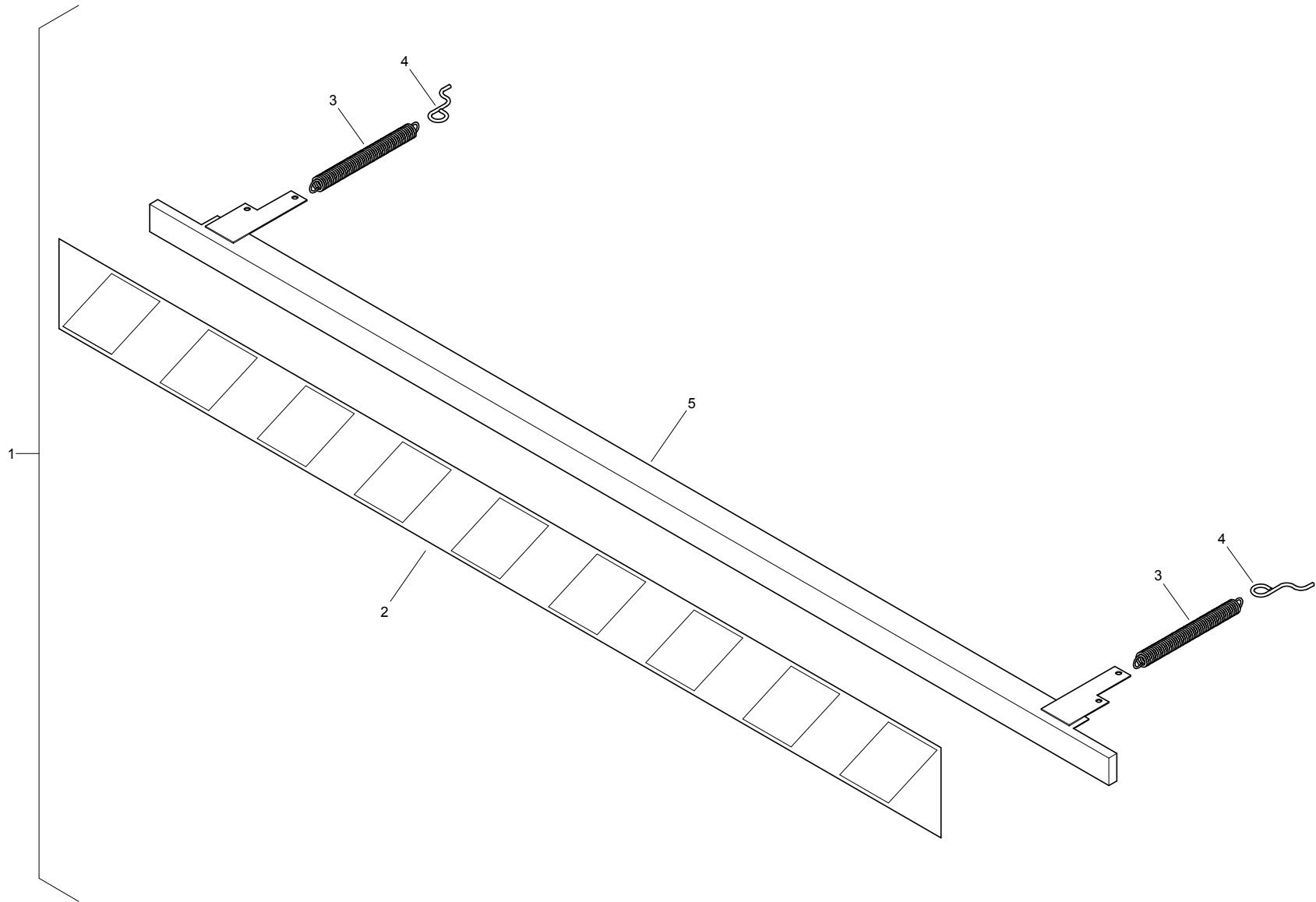
C-95003-01.1-A



Item	Part No.	Qty.	English	French	German	Spanish	Remarks
1	3519805M91	1	Kit - Tooth Guard Mp (Narrow + Decal)	Démodé	Überholt	Protector, Conj.	
2	1471920M1	1	Decal, Warning - Ldr. Bucket Teeth Guard	Adhésif	Aufkleber	Adhesivo	
3	1470338M1	2	Spring, Retaining - Loader Bucket Guard	Siège De Ressort	Federsitz	Muelle	
4	6106687M1	2	Hook, Retaining - Ldr. Bkt. Teeth Guard	Patte De Fixation	Halter	Pata De Fijación	
5	3516939M91	1	Guard, Loader Bucket Teeth - Narrow	Protecteur	Schutz	Protector	



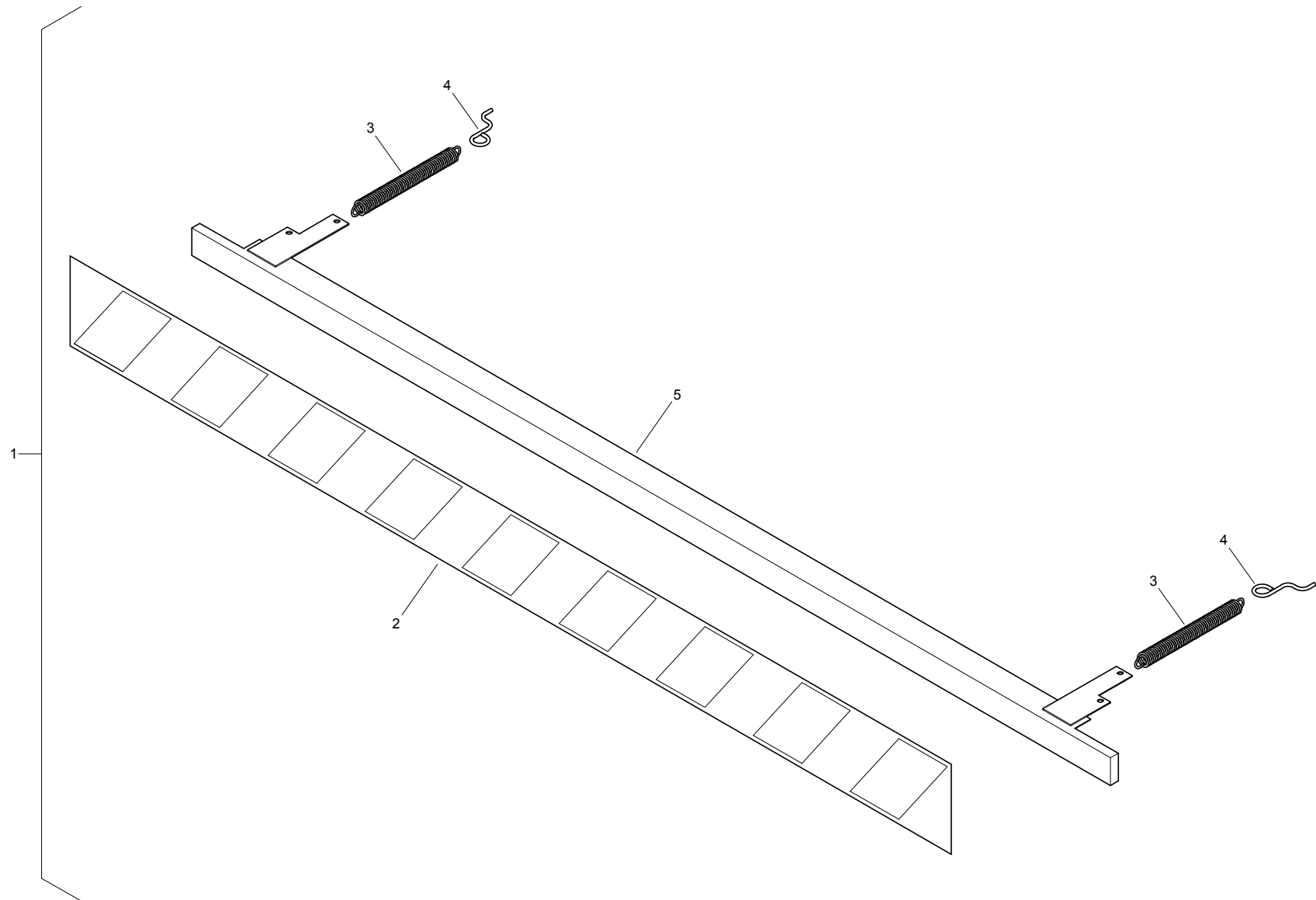
C-95005-01.1-A



Item	Part No.	Qty.	English	French	German	Spanish	Remarks
1	3516937M91	1	Kit - Tooth Guard (Narrow + Decal)	Démodé	Überholt	Protector, Conj.	
2	1471920M1	1	Decal, Warning - Ldr. Bucket Teeth Guard	Adhésif	Aufkleber	Adhesivo	
3	1470338M1	2	Spring, Retaining - Loader Bucket Guard	Siège De Ressort	Federsitz	Muelle	
4	3516782M2	2	Hook, Retaining - Loader Bucket Guard	Crochet	Haken	Gancho	
5	3516939M91	1	Guard, Loader Bucket Teeth - Narrow	Protecteur	Schutz	Protector	



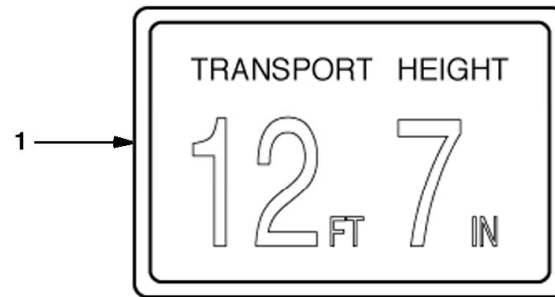
C-95007-01.1-A



Item	Part No.	Qty.	English	French	German	Spanish	Remarks
1	3522150M94	1	Kit - Tooth Guard (Wide + Decal) Std Bkt	Démodé	Überholt	Protector, Conj.	
2	1471920M1	1	Decal, Warning - Ldr. Bucket Teeth Guard	Adhésif	Aufkleber	Adhesivo	
3	1470338M1	2	Spring, Retaining - Loader Bucket Guard	Siège De Ressort	Federsitz	Muelle	
4	3516782M2	2	Hook, Retaining - Loader Bucket Guard	Crochet	Haken	Gancho	
5	3522151M93	1	Guard, Loader Bucket Teeth - Wide	Protecteur	Schutz	Protector	



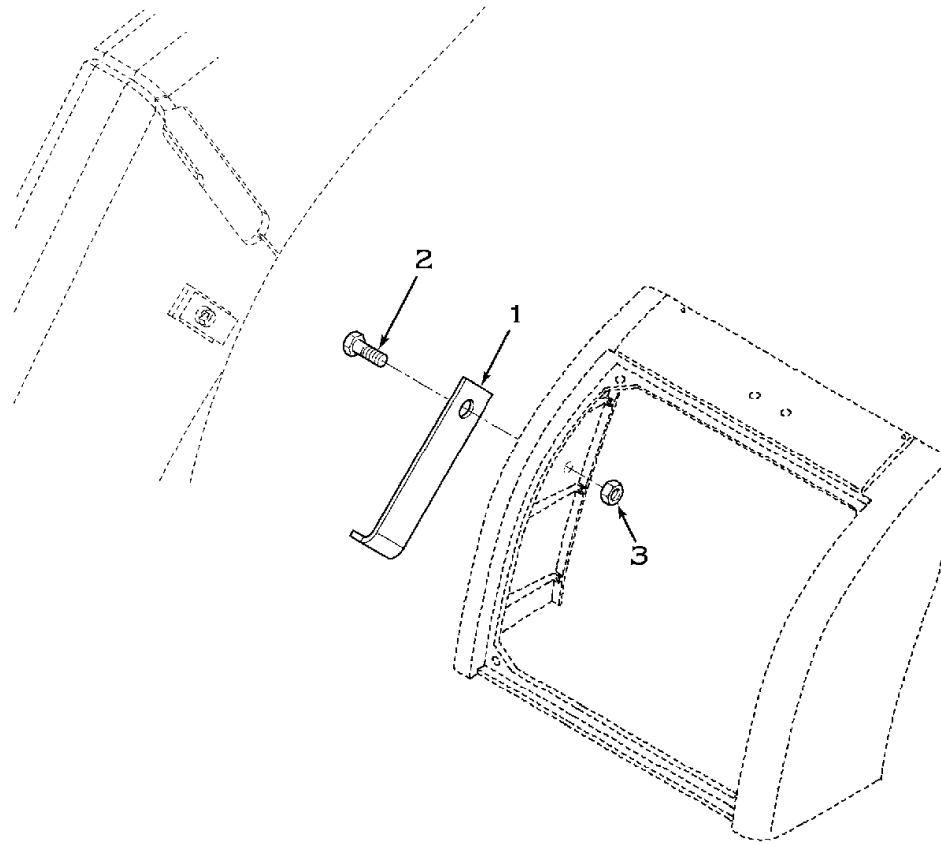
C-95009-01.1-A



Item	Part No.	Qty.	English	French	German	Spanish	Remarks
1	6101996M1	1	Decal-Height-Transport	Adhésif	Aufkleber	Adhesivo	



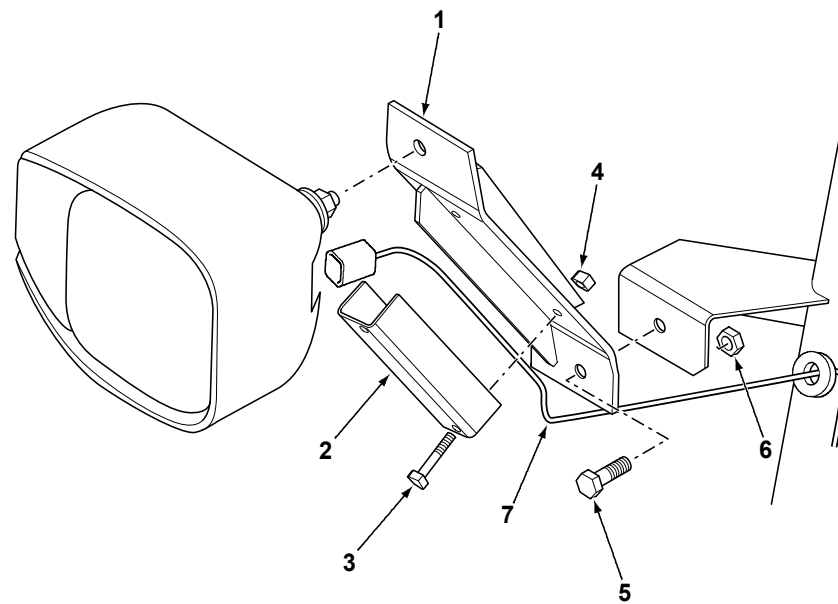
C-95013-01.1-A



Item	Part No.	Qty.	English	French	German	Spanish	Remarks
1	6102484M2	1	Pointer-German Carry	Indicateur	Anzeige	Placa	
2	339337X1	1	Bolt M8-30 Z5f	Goupille	Bolzen - M8 X 30	Perno	
3	394367X1	1	Nut, Hex. - Nyloc, M8	Ecrou Blocage M8	Flachmutter - M8	Tuerca De Retención	



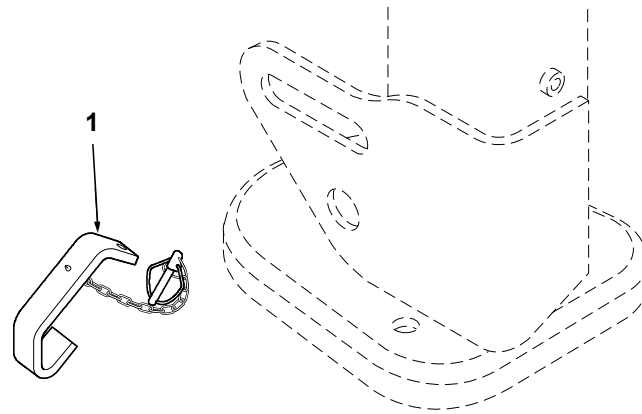
C-95014-01.1-A



Item	Part No.	Qty.	English	French	German	Spanish	Remarks
1	6102818M92	1	Bracket-Headlamp-Lh	Patte Fixation	Halter	Cuchara, Conj.	
1	6102817M92	1	Bracket-Headlamp-Rh	Patte Fixation	Halter	Cuchara, Conj.	
2	6102863M2	2	Plate-Cover	Cache	Abdeckung	Tapa	
3	391244X1	2	Bolt M6-45 Z5s	Goupille	Bolzen - M6 X 45	Perno	
4	1441500X1	2	Nut M6 Z5 Nyloc	Ecrou	Flachmutter M6	Tuerca De Retención	
5	3009492X1	2	Bolt - Hex. M10 X 25	Boulon M10 X 25	Schraube M10 X 25	Tornillo	
6	1440329X1	2	Nut, Hex. - Nyloc, M10	Ecrou Blocage	Flachmutter M10	Tuerca De Retención	
7	6108516M91	2	Headlight Extension Harness	Ensemble De Faisceau	Kabelstrang Kpl.	Haz, Conj.	



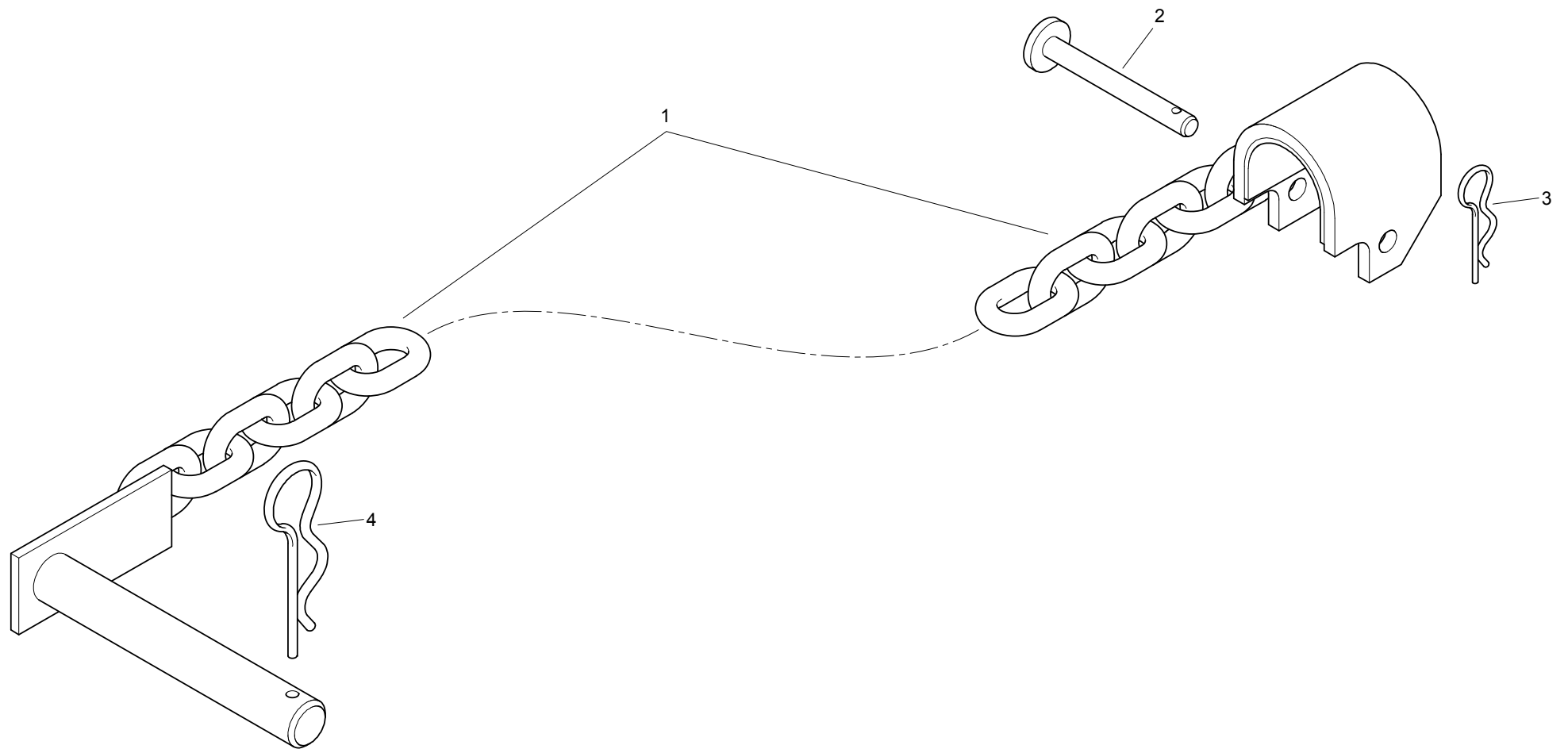
C-95015-01.1-A



Item	Part No.	Qty.	English	French	German	Spanish	Remarks
1	T101200	1	Bracket Assy - Stab Lock Up	Ensemble Support	Halter Kpl	Cjt.Soporte	



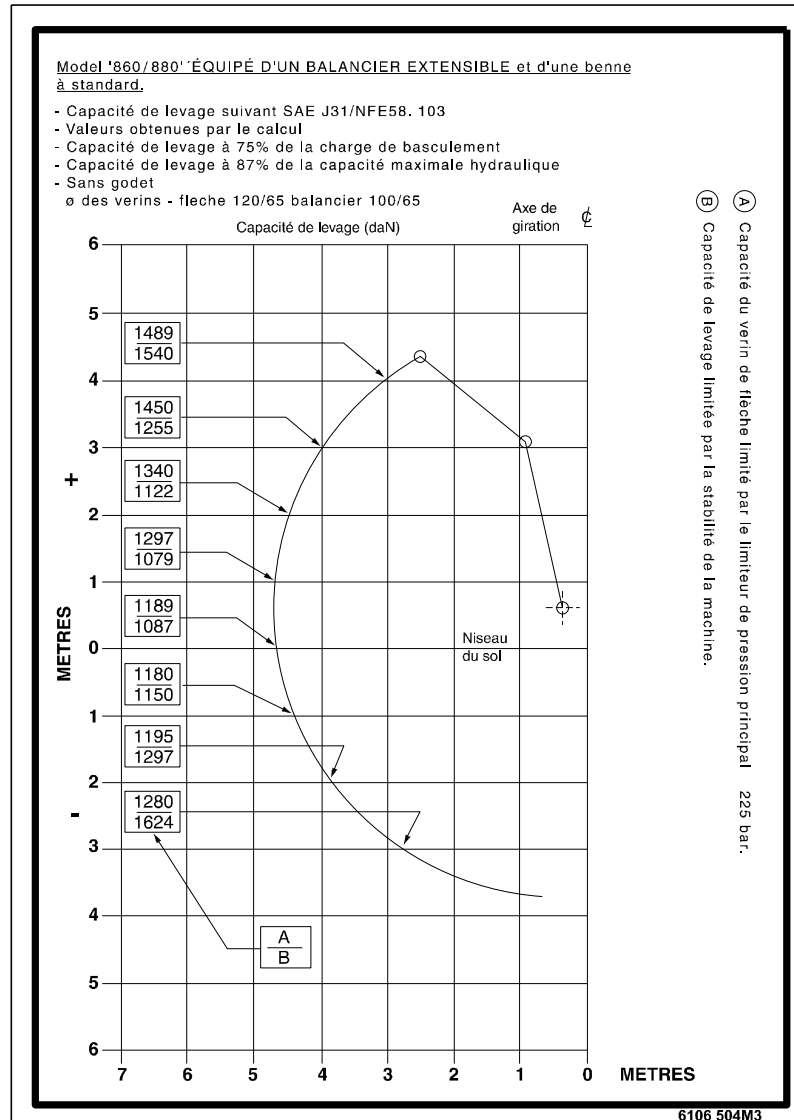
C-95017-01.1-A



Item	Part No.	Qty.	English	French	German	Spanish	Remarks
1	3517949M93	1	Chain-Ldr Transport Lock W/Asy	Chaîne	Kette	Cadena	
2	3517952M91	1	Pin Welded Assy	Axe	Bolzen	Pasador	
3	377165X1	1	Split Pin/Safety Pin	Goupille D&Arrêt	Splint	Pasador De Parada	
4	3517961M1	1	Split Pin/Safety Pin	Coupille Fendue	Splint	Pasador De Parada	



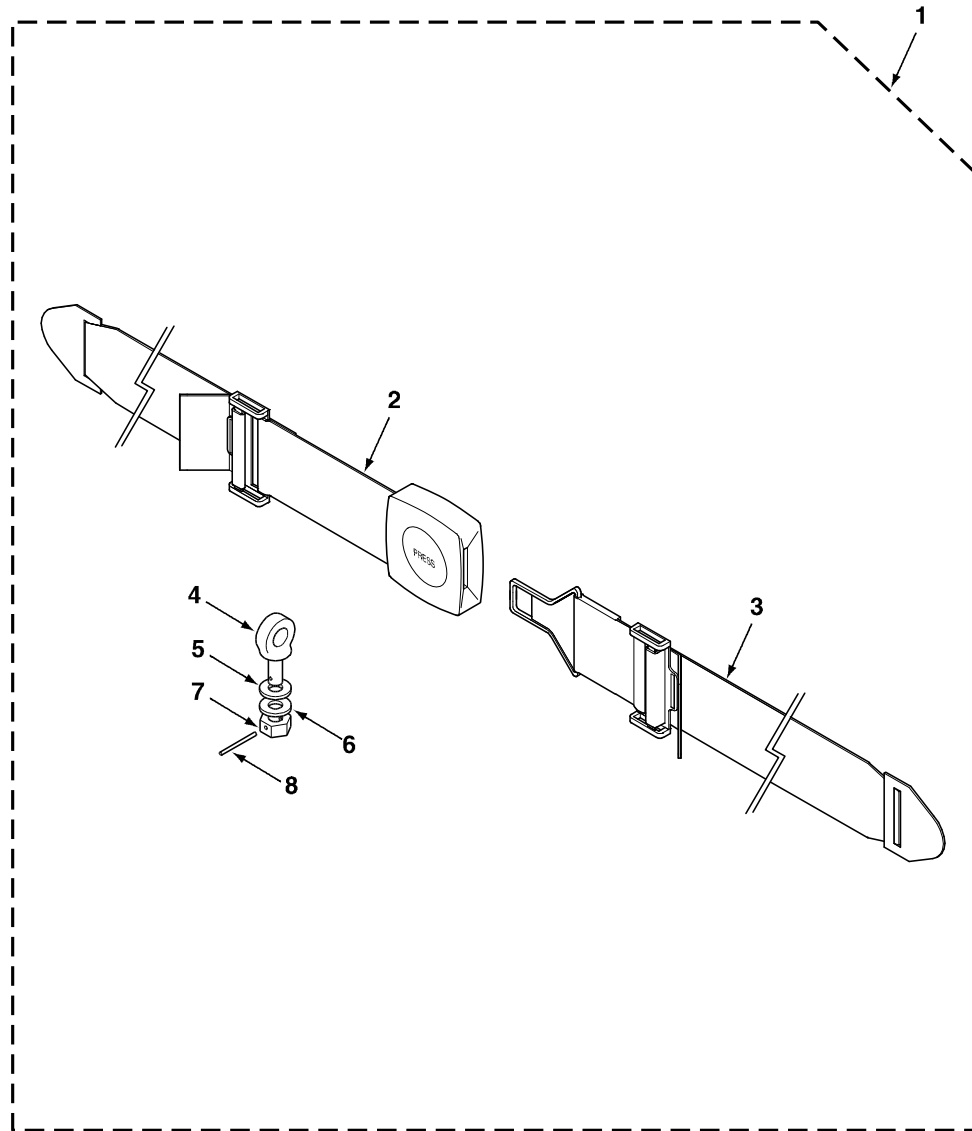
C-95020-01.1-B



Item	Part No.	Qty.	English	French	German	Spanish	Remarks
1	6106504M3	1	Decal - Craning Extendahoe Retracted	Decalcomanie	Aufkleber	Adhesivo	



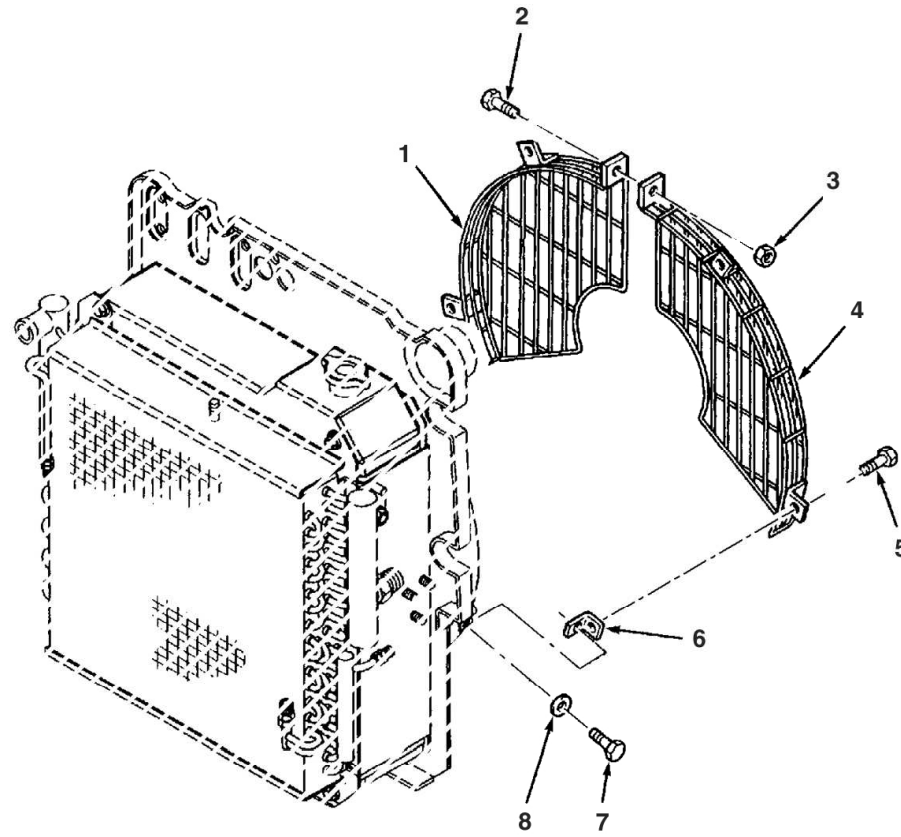
C-95022-01.1-A



Item	Part No.	Qty.	English	French	German	Spanish	Remarks
1	709093M91	1	Seat Belt - 3" Wide	Courroie	Riemen	Cinturón, Seguridad	
2	#BELT, SEAT	1	Belt, Seat	Belt, Seat	Belt, Seat	Belt, Seat	Ref 1
3	#BELT, SEAT	1	Belt, Seat	Belt, Seat	Belt, Seat	Belt, Seat	Ref 1
4	709403M1	2	Eye Bolt - Seat Belt	Boulon À ���	Augenschraube	Perno De Anilla	
5	353432X1	2	Washer Lock	Rondelle Frein	Scheibe, Sicherungs-	Arandela	
6	369968X1	2	Washer, Special	Rondelle Sp��ciale	Spezialscheibe	Arandela Especial	
7	364201X1	2	Nut - Hex Special 7/16-20 Unf Sae8 Zinc	Ecrou Special	Spezialmutter	Tuerca	
8	354048X1	2	Pin	Goupille	Bolzen	Pasador Hendido	



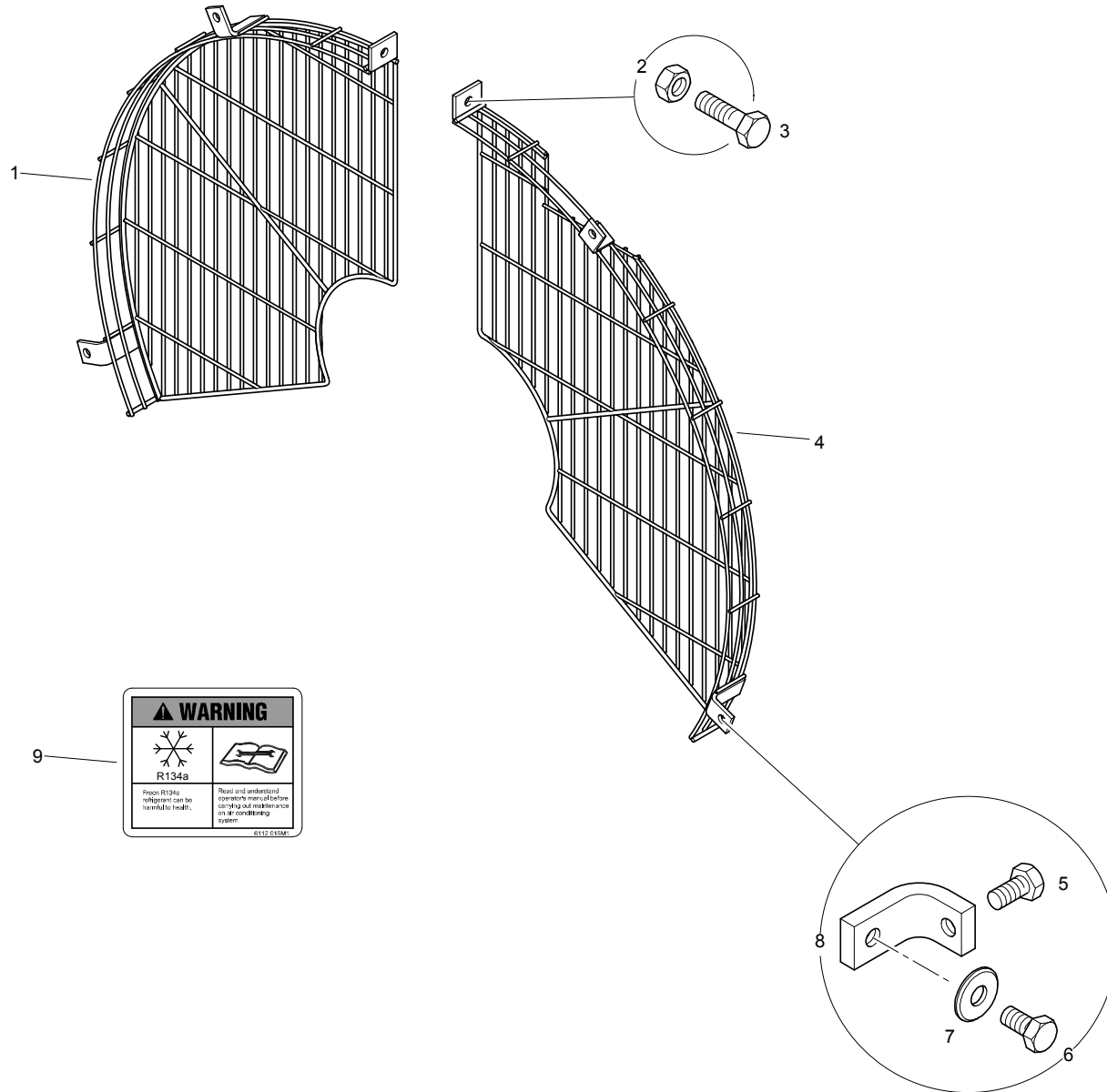
C-95023-01.1-A



Item	Part No.	Qty.	English	French	German	Spanish	Remarks
1	6110182M2	1	Guard-Rh Fan	Protecteur	Schutz	Rejilla	
2	1441500X1	1	Nut M6 Z5 Nyloc	Ecrou	Flachmutter M6	Tuerca De Retención	
3	339666X1	1	Bolt M6-20 Z5f	Boulon M6 X 20	Maschschraube Metr M	Tornillo	
4	6110183M2	1	Fan Guard LH	Protecteur	Schutz	Rejilla	
5	391074X1	4	Bolt, Hex. - M6 X 12	Goupille	Sechskantschraube	Tornillo	
6	391074X1	4	Bolt, Hex. - M6 X 12	Goupille	Sechskantschraube	Tornillo	
7	391038X1	4	Washer M6 - Large Zinc Hardened	Rondelle	Scheibe	Arandela	
8	3517435M2	4	Bracket Fan Guard	Support	Haltevorrichtung	Soporte De Fijación	



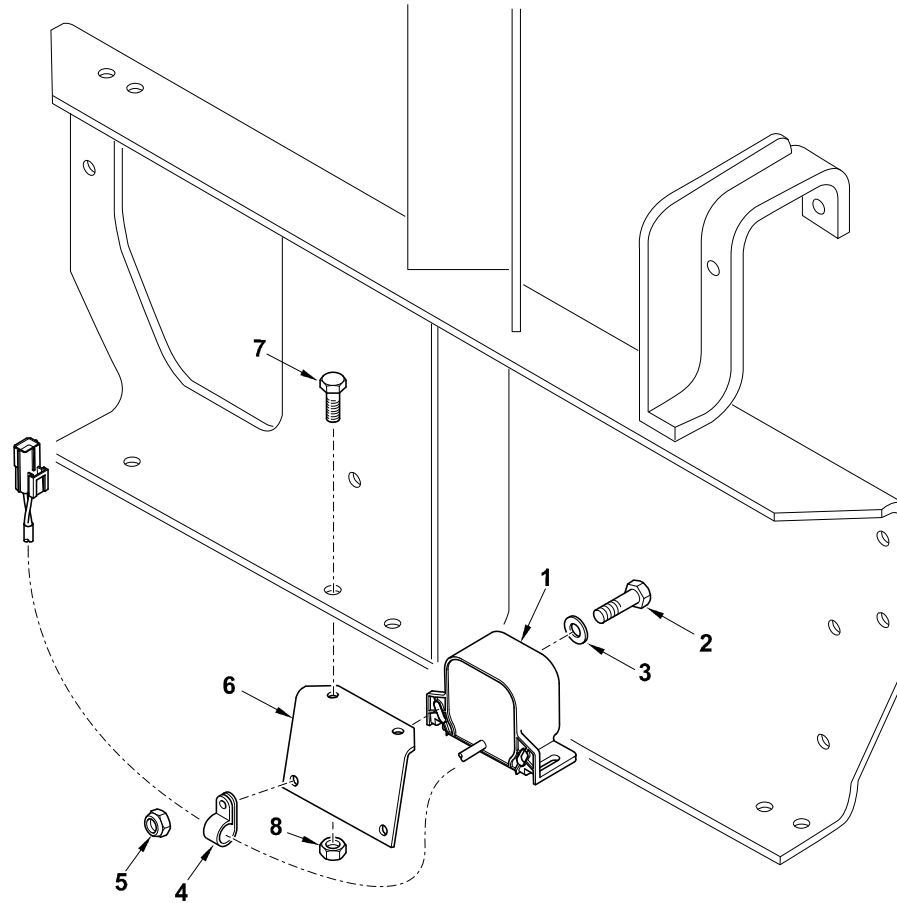
C-95024-01.1-A



Item	Part No.	Qty.	English	French	German	Spanish	Remarks
1	6110182M2	1	Guard-Rh Fan	Protecteur	Schutz	Rejilla	
2	1441500X1	1	Nut M6 Z5 Nyloc	Ecrou	Flachmutter M6	Tuerca De Retención	
3	339666X1	1	Bolt M6-20 Z5f	Boulon M6 X 20	Maschschraube Metr M	Tornillo	
4	6110579M1	1	Fan Guard LH (With Air-Con)	Garde	Schutzvorr	Rejilla	
5	391074X1	4	Bolt, Hex. - M6 X 12	Goupille	Sechskantschraube	Tornillo	
6	391074X1	4	Bolt, Hex. - M6 X 12	Goupille	Sechskantschraube	Tornillo	
7	391038X1	4	Washer M6 - Large Zinc Hardened	Rondelle	Scheibe	Arandela	
8	3517435M2	4	Bracket Fan Guard	Support	Haltevorrichtung	Soporte De Fijación	
9	6112015M1	3	Decal - Air Con - Ansi	Adhésif	Aufkleber	Adhesivo	



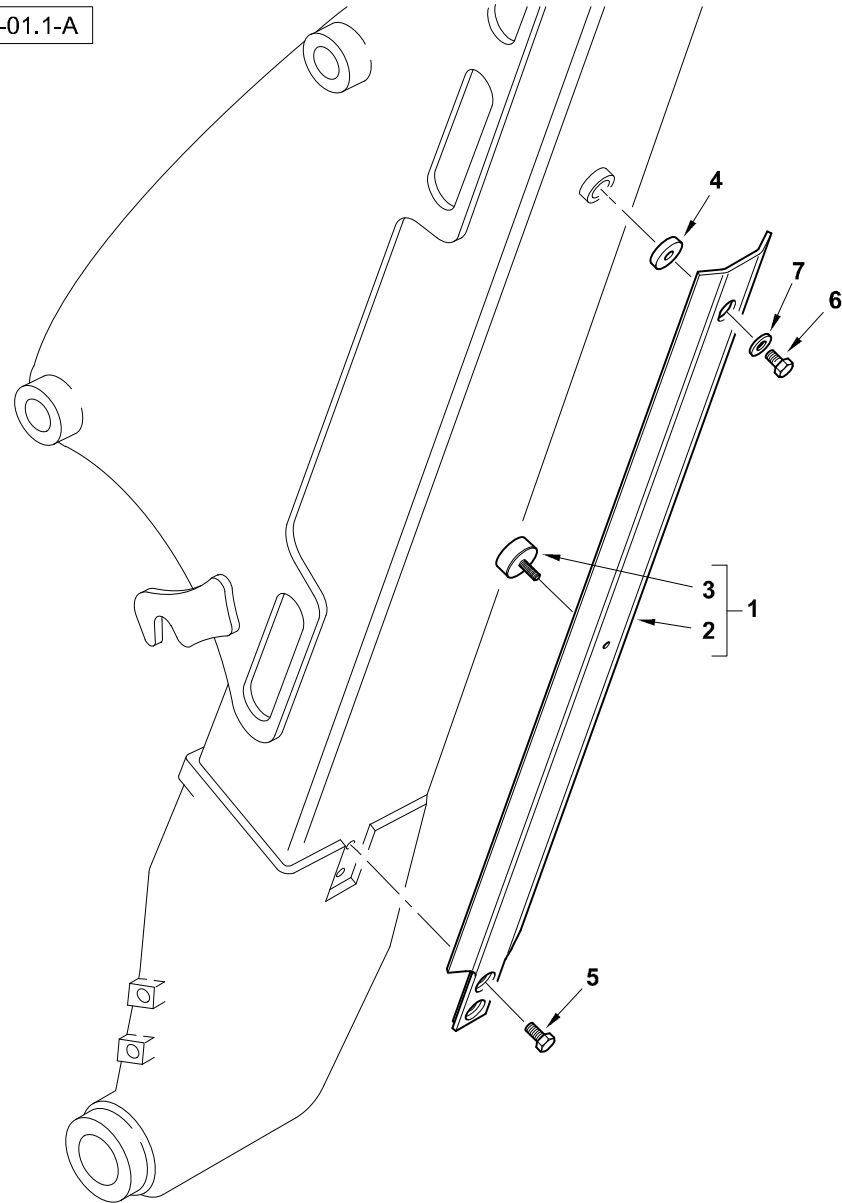
C-95025-01.1-B



Item	Part No.	Qty.	English	French	German	Spanish	Remarks
1	6114877M91	1	Reverse Alarm	Reverse Alarm	Reverse Alarm	Reverse Alarm	
2	339666X1	2	Bolt M6-20 Z5f	Boulon M6 X 20	Maschschraube Metr M	Tornillo	
3	390971X1	2	Washer M6-12-1 Zwl	Rondelle - M6	Scheibe - M6	Arandela	
4	3517114M2	1	P - Clip	Collier De Fixation	Befestigungsschelle	Argolla De Fijación	
5	1441500X1	2	Nut M6 Z5 Nyloc	Ecrou	Flachmutter M6	Tuerca De Retención	
6	6102972M1	1	Bracket-Reverse Alarm	Support	Haltevorrichtung	Pata De Fijación	
6	T101214	1	Bracket - Reverse Alarm	Support Fixation	Haltearm	Soporte	
7	339666X1	2	Bolt M6-20 Z5f	Boulon M6 X 20	Maschschraube Metr M	Tornillo	
8	1441500X1	2	Nut M6 Z5 Nyloc	Ecrou	Flachmutter M6	Tuerca De Retención	



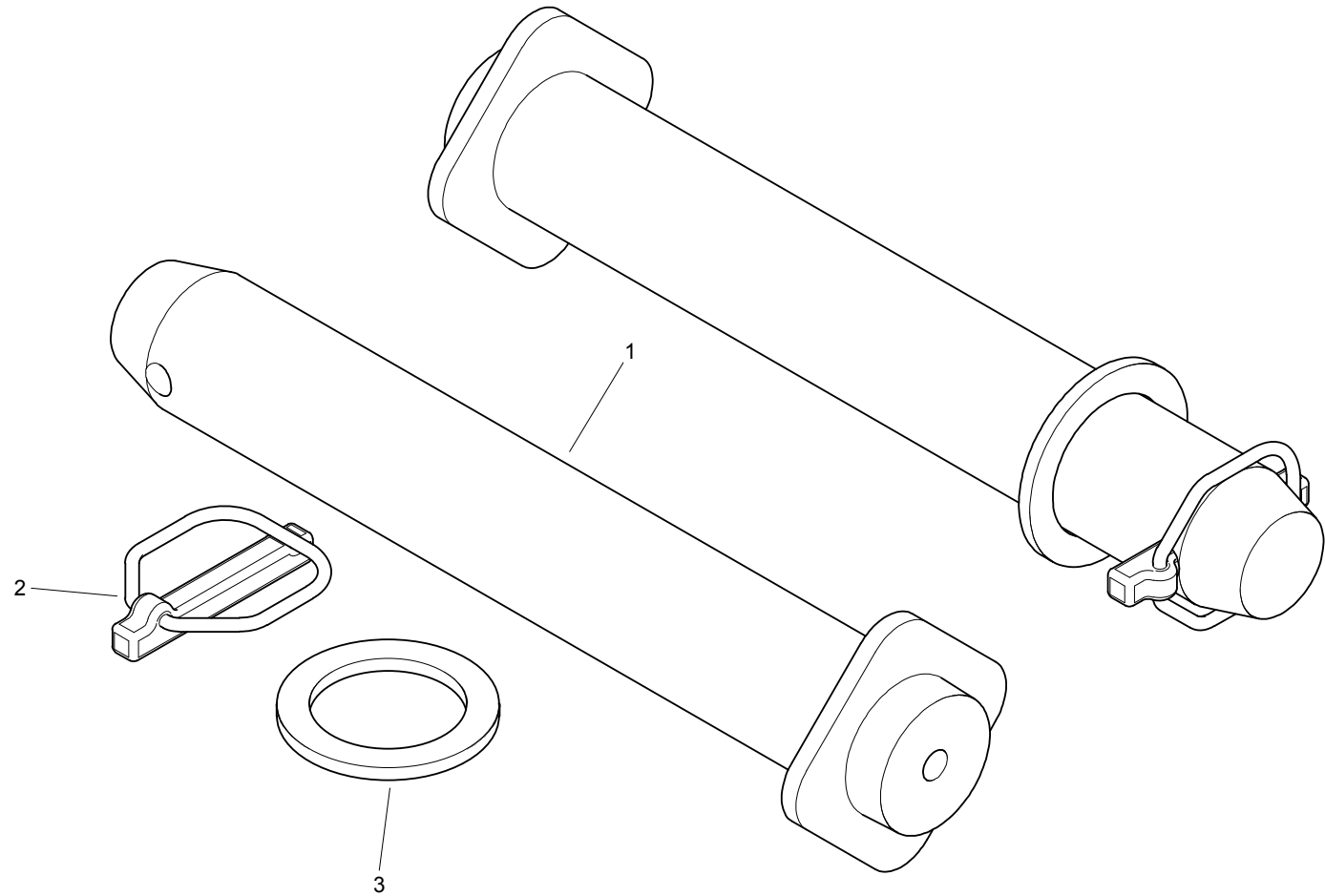
C-98186-01.1-A



Item	Part No.	Qty.	English	French	German	Spanish	Remarks
1	6110712M91	1	Guard - Boom W/Assy	Garde	Schutzvorr	Protector, Conj.	
2	#GUARD	1	Guard	Guard	Guard	Guard	Ref. 1
3	6110763M1	1	Buffer Rubber	Butoir	Puffer	Bloque De Caucho	
4	6110843M1	1	Washer - Boom Guard 45mm Dia- Zinc Plate	Rondelle	Unterlegscheibe	Arandela	
5	3009505X1	2	Hex. Bolt, M12 X 25 - Coarse	Boulon	Bolzen M12 X 25	Perno	
6	339299X1	1	M12x30 Bolt	Vis	Schraube	Tornillo	
7	385363X1	1	Washer, M12 - Hardened	Rondelle M12	Scheibe M12	Arandela	



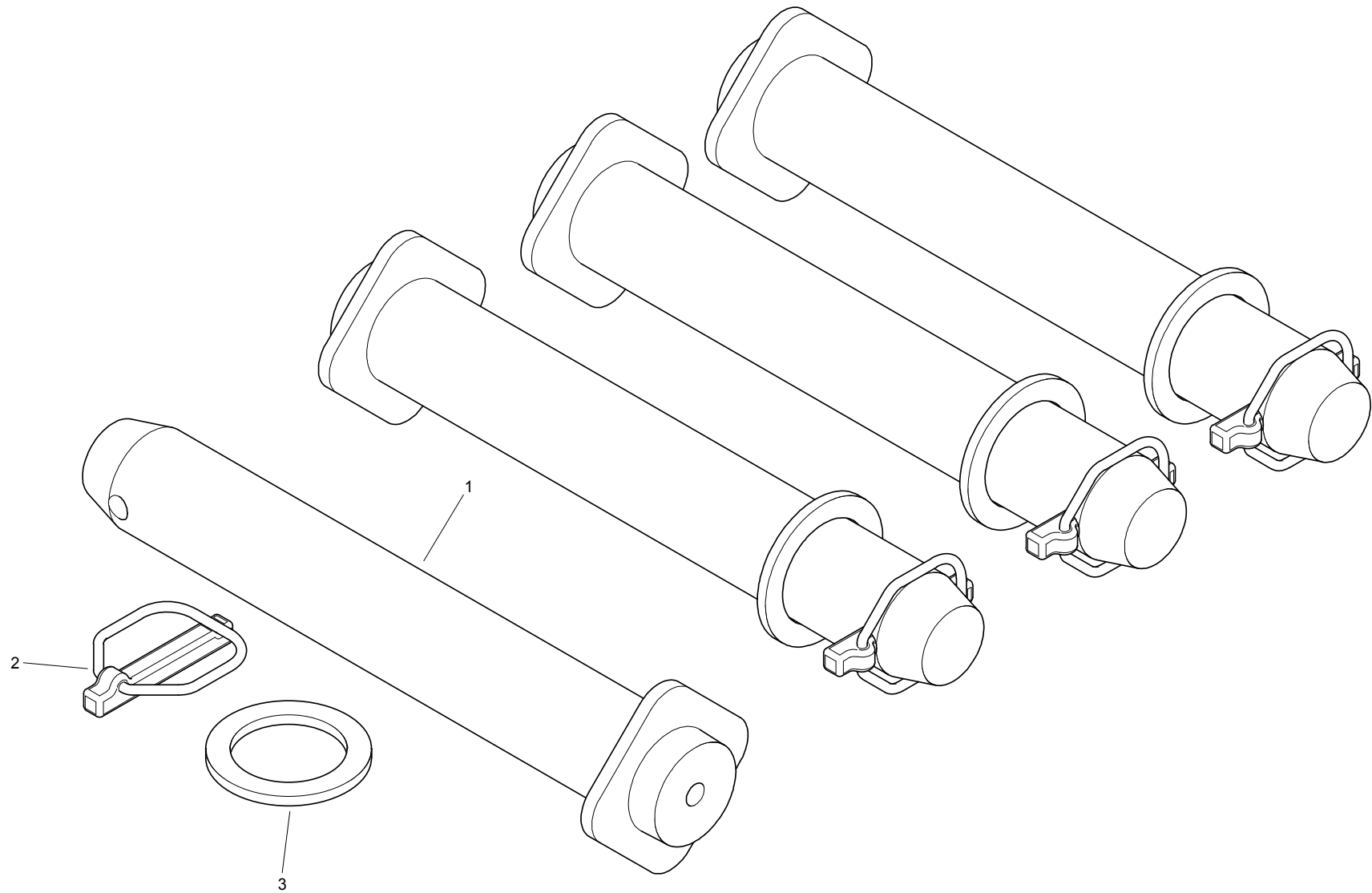
C-98006-01.1-A



Item	Part No.	Qty.	English	French	German	Spanish	Remarks
1	3516519M94	2	Pin & Plate 45-322,5	Axe	Bolzen	Pasador	
2	3516522M91	2	Pin Safety Linch	Goupille D'Arrêt	Klappstecker	Pasador De Parada	
3	3501790M1	2	Washer M46-65-5 Z	Rondelle	Scheibe	Arandela	



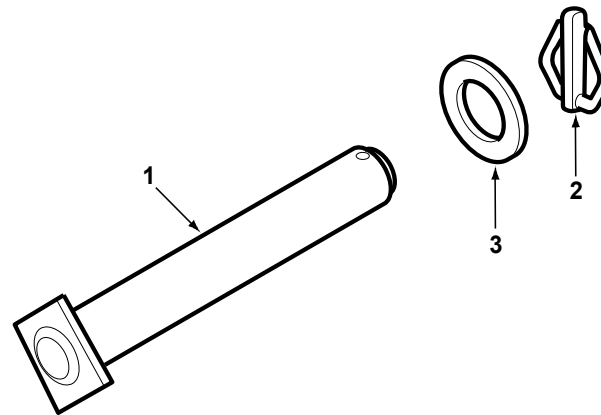
C-98007-01.1-A



Item	Part No.	Qty.	English	French	German	Spanish	Remarks
1	3516519M94	4	Pin & Plate 45-322,5	Axe	Bolzen	Pasador	
2	3516522M91	4	Pin Safety Linch	Goupille D'Arrêt	Klappstecker	Pasador De Parada	
3	3501790M1	4	Washer M46-65-5 Z	Rondelle	Scheibe	Arandela	



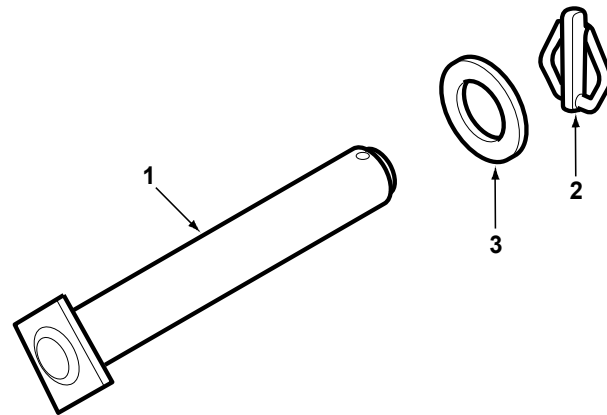
C-98008-01.1-A



Item	Part No.	Qty.	English	French	German	Spanish	Remarks
1	6106549M1	2	Pin - Bucket Link	Axe	Bolzen	Pasador	
2	375096X1	4	Pin Cotter 10-76	Goupille D'Arrêt	Klappstecker	Pasador De Parada	
3	3501790M1	4	Washer M46-65-5 Z	Rondelle	Scheibe	Arandela	



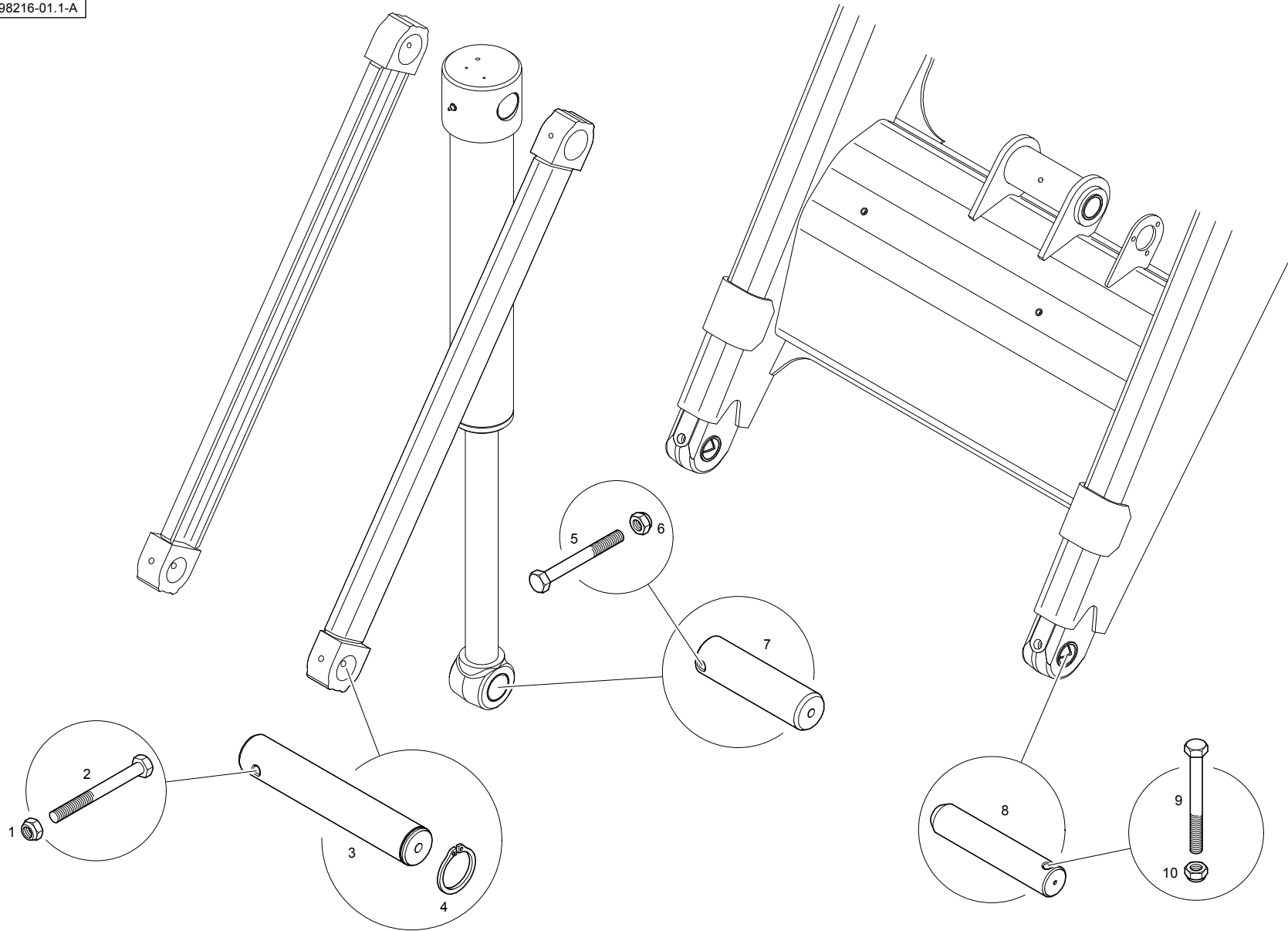
C-98009-01.1-A



Item	Part No.	Qty.	English	French	German	Spanish	Remarks
1	6106549M1	4	Pin - Bucket Link	Axe	Bolzen	Pasador	
2	375096X1	8	Pin Cotter 10-76	Goupille D'Arrêt	Klappstecker	Pasador De Parada	
3	3501790M1	8	Washer M46-65-5 Z	Rondelle	Scheibe	Arandela	



C-98216-01.1-A



Item	Part No.	Qty.	English	French	German	Spanish	Remarks
1	1440329X1	1	Nut, Hex. - Nyloc, M10	Ecrou Blocage	Flachmutter M10	Tuerca De Retención	
2	3501289M1	1	Bolt M10-110 Z5s	Boulon	Sechskantschraube	Tornillo	
3	3521723M5	1	Pin (50 - 288)	Goupille	Bolzen	Pasador	
4	391129X1	1	Circlip - External - 50mm	Segment D ´ Arrêt	Sicherungsring	Anillo De Resorte	
5	3516014M1	1	Bolt - M10 X 90	Boulon - M10 X 90	Maschschraube M10	Tornillo	
6	1440329X1	1	Nut, Hex. - Nyloc, M10	Ecrou Blocage	Flachmutter M10	Tuerca De Retención	
7	6106216M1	1	Pin-Ldr Bucket/Ram	Goupille	Bolzen	Pasador	
8	3520042M5	2	Pin	Goupille	Bolzen	Pasador	
9	3516014M1	2	Bolt - M10 X 90	Boulon - M10 X 90	Maschschraube M10	Tornillo	
10	1440329X1	2	Nut, Hex. - Nyloc, M10	Ecrou Blocage	Flachmutter M10	Tuerca De Retención	



Not Illustrated

Non Illustrée

Nicht Abgebildet

Non Illustrato

No Ilustrado

Item	Part No.	Qty.	English	French	German	Spanish	Remarks
------	----------	------	---------	--------	--------	---------	---------



Not Illustrated

Non Illustrée

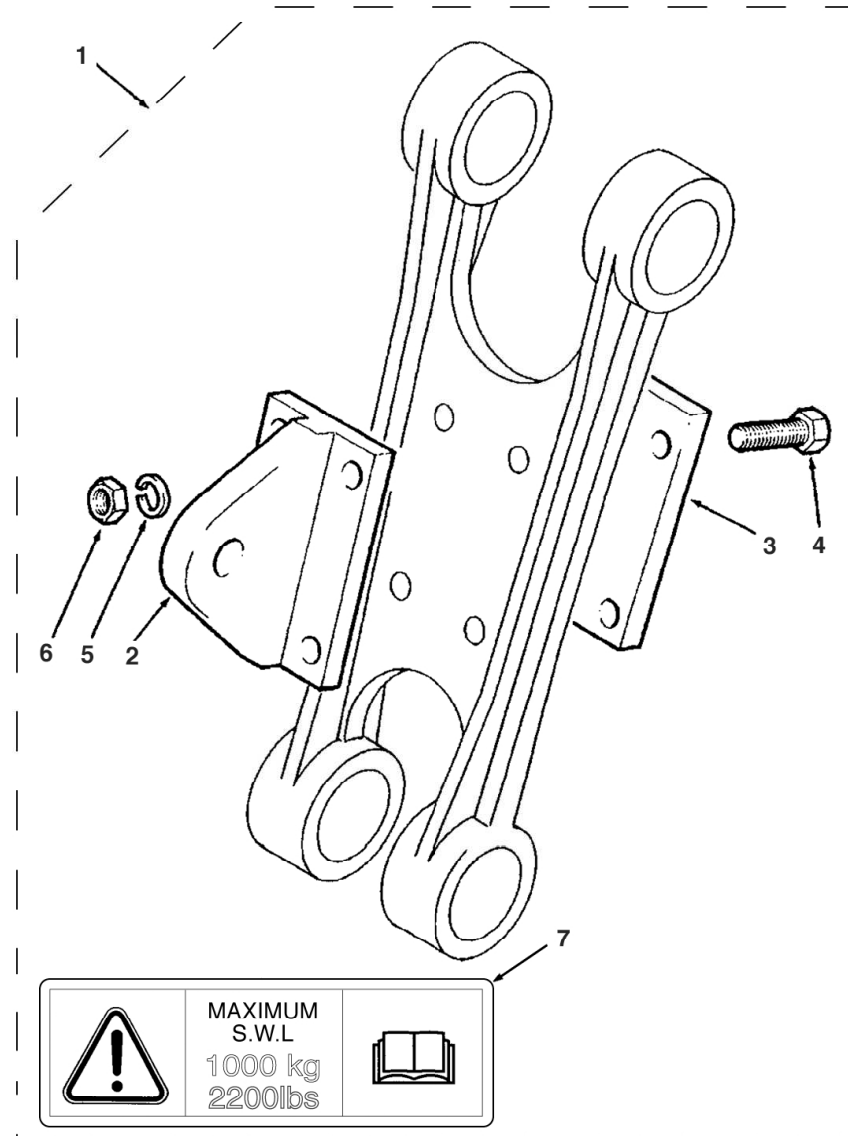
Nicht Abgebildet

Non Illustrato

No Ilustrado

Item	Part No.	Qty.	English	French	German	Spanish	Remarks
------	----------	------	---------	--------	--------	---------	---------

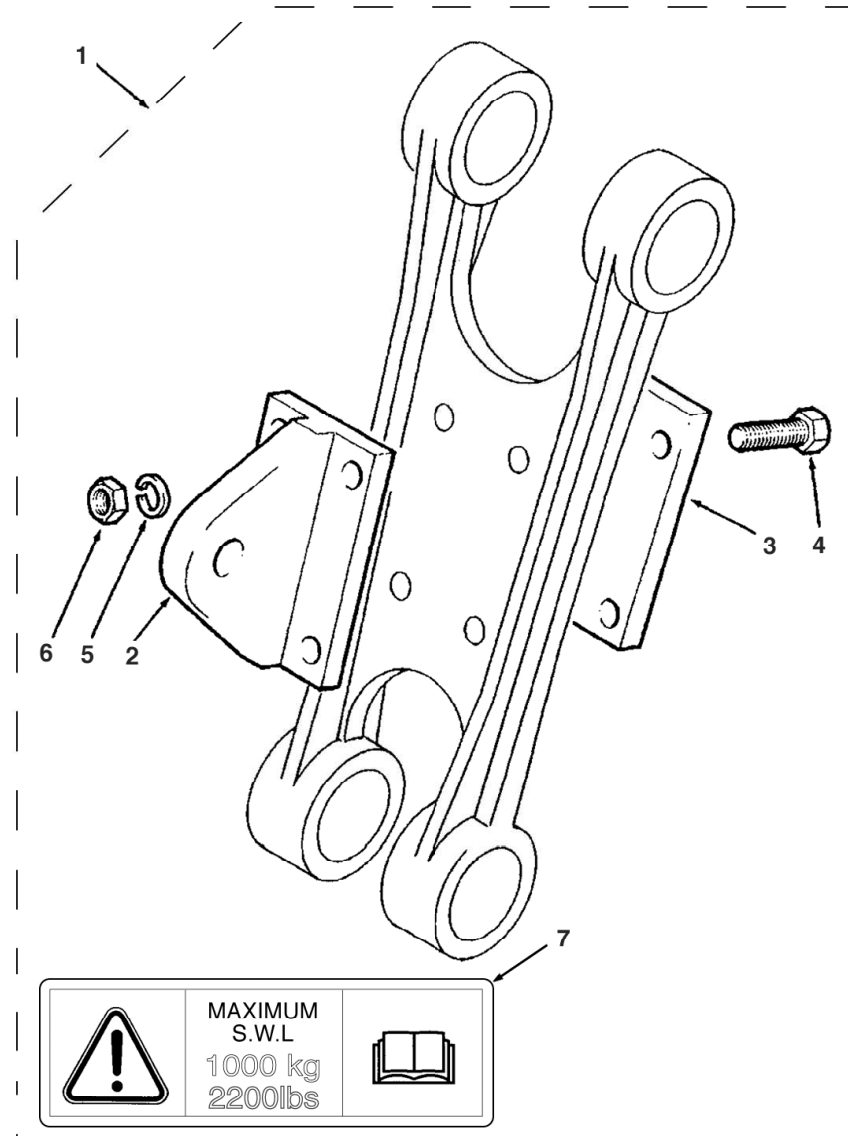
C-98020-01.1-B



Item	Part No.	Qty.	English	French	German	Spanish	Remarks
1	#KIT, PARTS	0	Kit, Parts	Kit, Parts	Kit, Parts	Kit, Parts	
2	3511123M92	1	Craning Bracket W/Assy	Patte Fixation	Halter	Ojo	
3	3517714M1	1	Plate Craning	Plaque	Platte	Placa	
4	3009511X1	4	Bolt, Hex. - M12 X 55	Goupille	Bolzen M12 X 55	Perno	
5	339369X1	4	Washer M12-22-2 Zsp	Rondelle Frein	Federring - M12	Arandela De Freno	
6	3009695X1	4	Nut M12-1.75 Z5 Norm	Ecrou Métrique	Mutter Metrisch- M12	Tuerca	
7	6102194M1	2	Decal - 1000kg Safe Working Load	Adhésif	Aufkleber	Adhesivo	



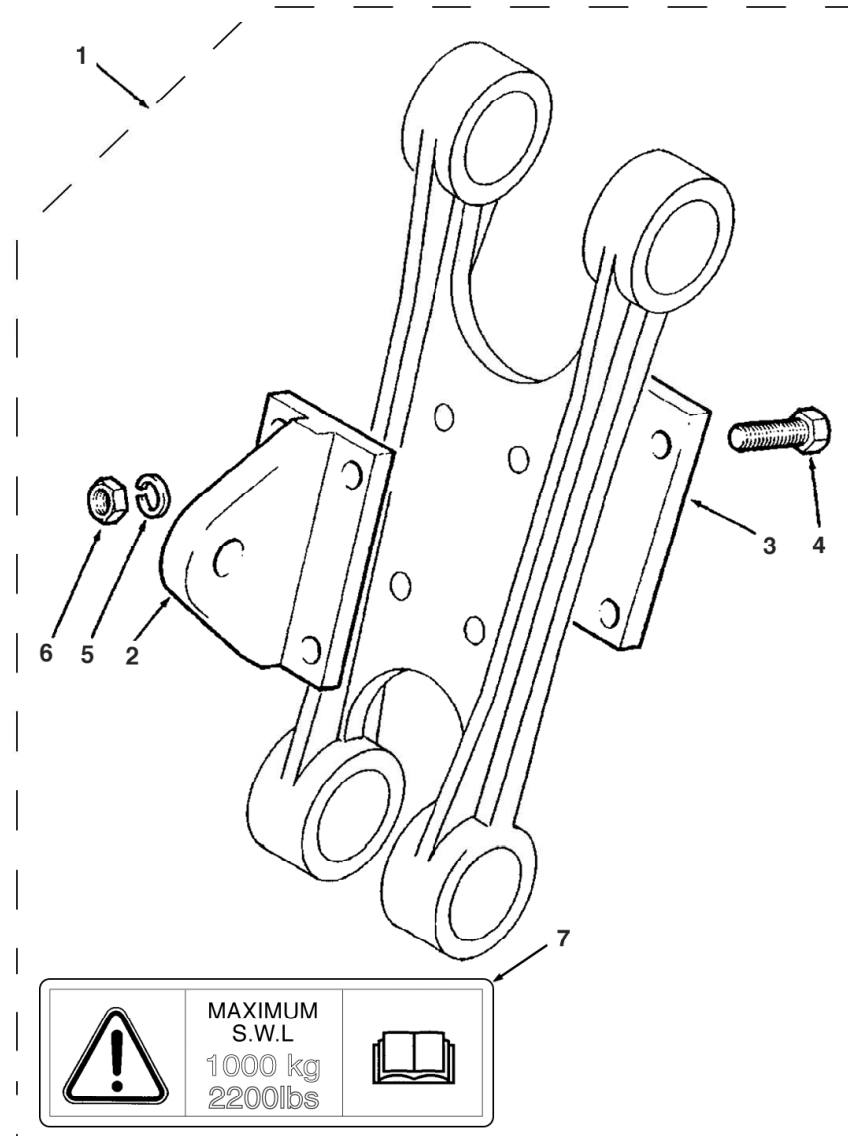
C-98021-01.1-B



Item	Part No.	Qty.	English	French	German	Spanish	Remarks
1	#KIT, PARTS	0	Kit, Parts	Kit, Parts	Kit, Parts	Kit, Parts	
2	3517439M91	1	Craning Bracket	Patte Fixation	Halter	Ojo	
3	3517714M1	1	Plate Craning	Plaque	Platte	Placa	
4	3009511X1	4	Bolt, Hex. - M12 X 55	Goupille	Bolzen M12 X 55	Perno	
5	339369X1	4	Washer M12-22-2 Zsp	Rondelle Frein	Federring - M12	Arandela De Freno	
6	3009695X1	4	Nut M12-1.75 Z5 Norm	Ecrou Métrique	Mutter Metrisch- M12	Tuerca	
7	6102194M1	2	Decal - 1000kg Safe Working Load	Adhésif	Aufkleber	Adhesivo	



C-98022-01.1-B

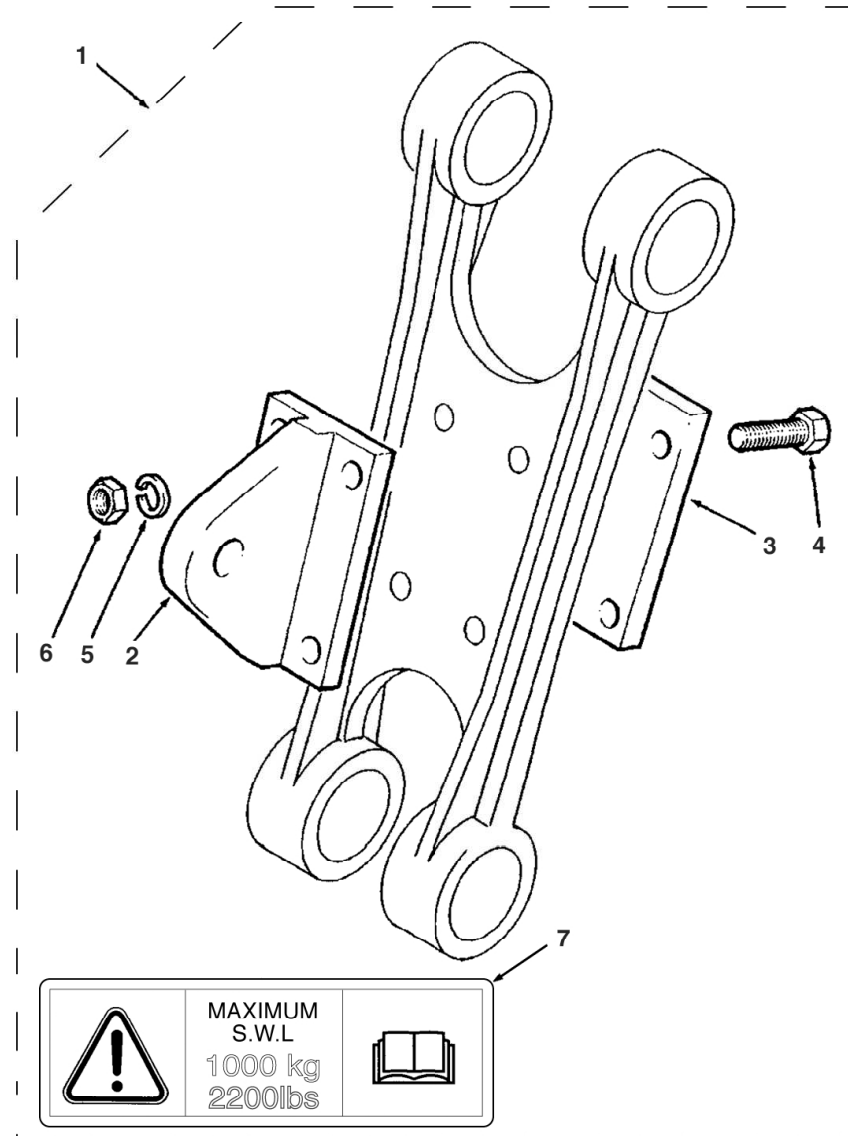


	<p>MAXIMUM S.W.L 1000 kg 2200lbs</p>	
---	--	---

Item	Part No.	Qty.	English	French	German	Spanish	Remarks
1	#KIT, PARTS	0	Kit, Parts	Kit, Parts	Kit, Parts	Kit, Parts	
2	6108143M91	1	Craning Bracket White Ss	Patte Fixation	Haltearm	Ojo	
3	6108015M1	1	Plate, Craning Bracket - Terex White	Plaque	Platte	Placa	
4	3009511X1	4	Bolt, Hex. - M12 X 55	Goupille	Bolzen M12 X 55	Perno	
5	339369X1	4	Washer M12-22-2 Zsp	Rondelle Frein	Federring - M12	Arandela De Freno	
6	3009695X1	4	Nut M12-1.75 Z5 Norm	Ecrou Métrique	Mutter Metrisch- M12	Tuerca	
7	6102194M1	2	Decal - 1000kg Safe Working Load	Adhésif	Aufkleber	Adhesivo	



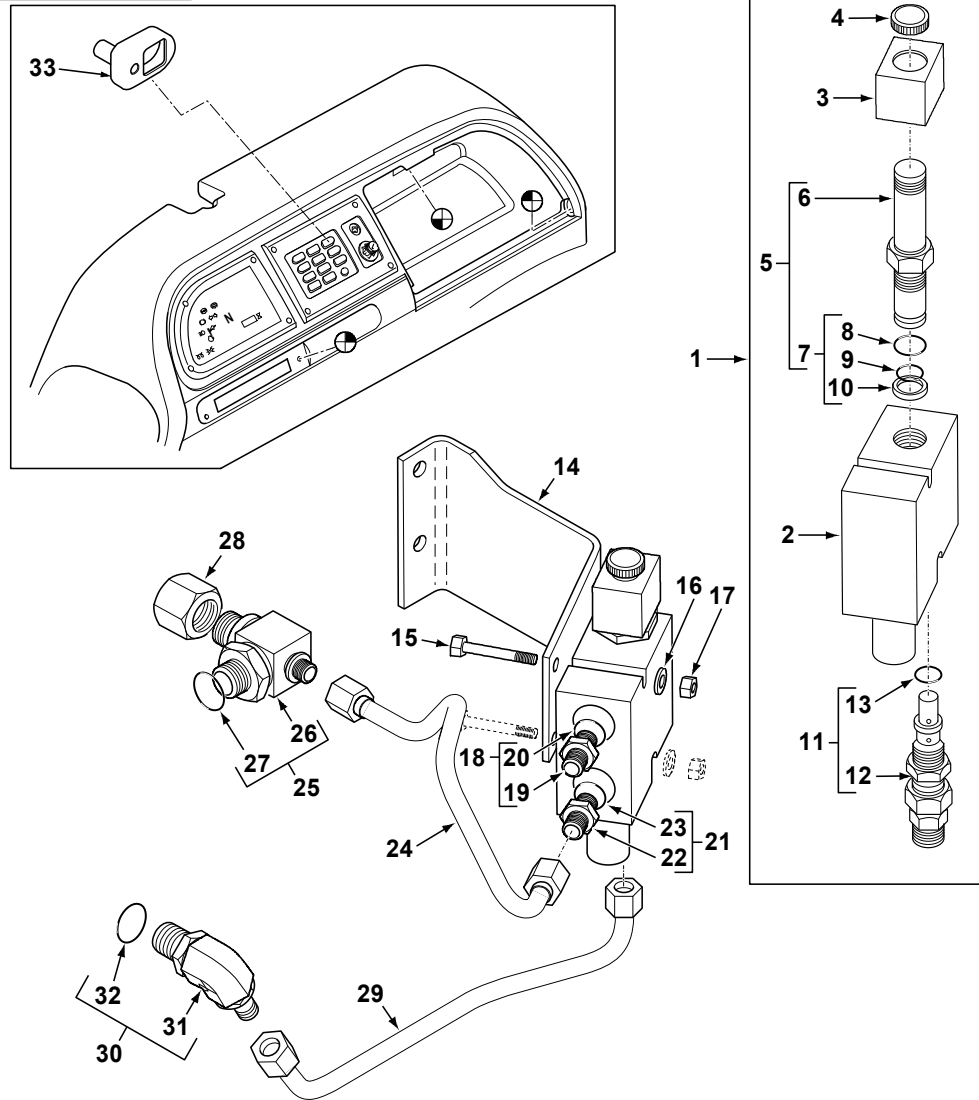
C-98023-01.1-B



Item	Part No.	Qty.	English	French	German	Spanish	Remarks
1	#KIT, PARTS	0	Kit, Parts	Kit, Parts	Kit, Parts	Kit, Parts	
2	6108013M91	1	Craning Bracket W/Assy - Terex White	Patte Fixation	Halter	Ojo	
3	6108015M1	1	Plate, Craning Bracket - Terex White	Plaque	Platte	Placa	
4	3009511X1	4	Bolt, Hex. - M12 X 55	Goupille	Bolzen M12 X 55	Perno	
5	339369X1	4	Washer M12-22-2 Zsp	Rondelle Frein	Federring - M12	Arandela De Freno	
6	3009695X1	4	Nut M12-1.75 Z5 Norm	Ecrou Métrique	Mutter Metrisch- M12	Tuerca	
7	6102194M1	2	Decal - 1000kg Safe Working Load	Adhésif	Aufkleber	Adhesivo	



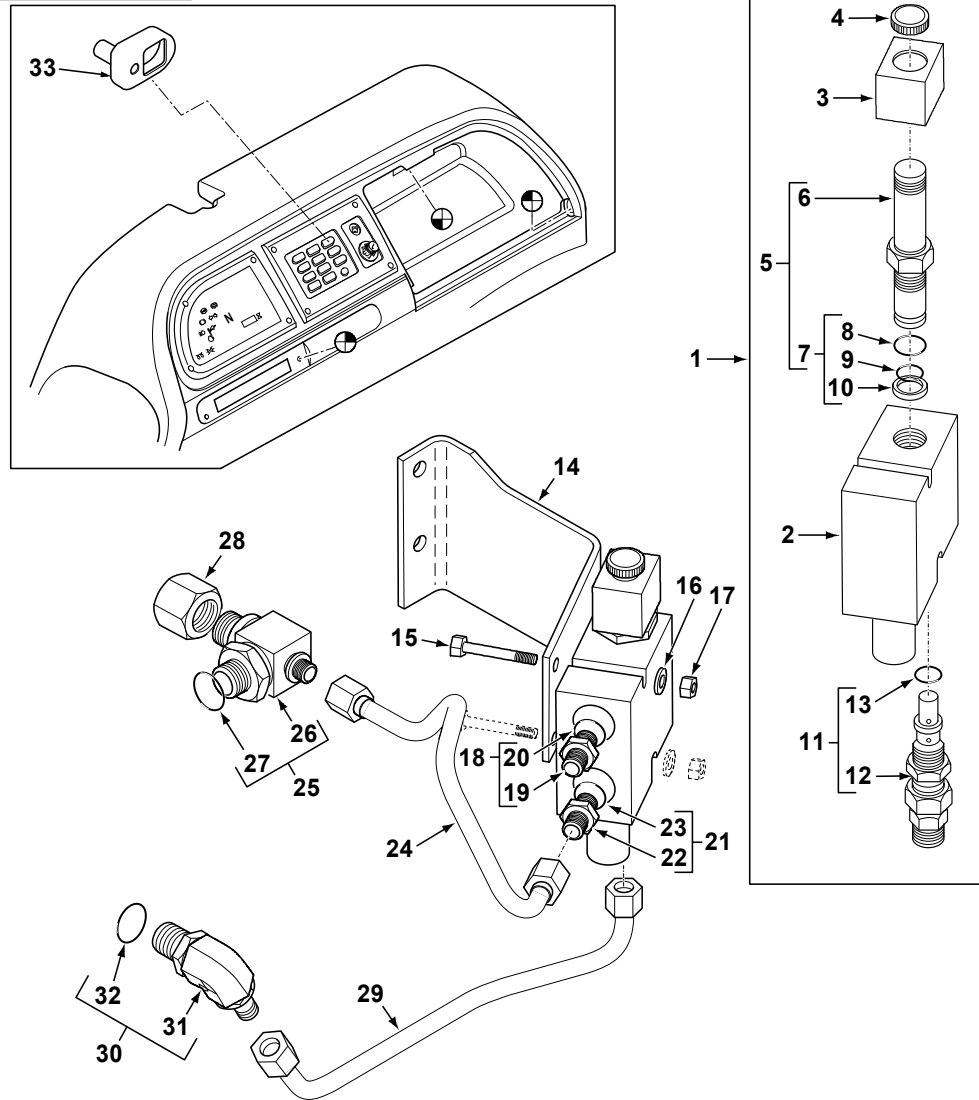
C-98002-01.1-A



Item	Part No.	Qty.	English	French	German	Spanish	Remarks
1	6102082M92	1	Valve-Craning	Distributeur	Ventil, Kpl	Electroválvula	
2	#BODY	1	Body	Body	Body	Body	Ref. 1
3	6191096M91	1	Coil Assy.	Bobine	Wicklung, Spule	Bobina	
4	#NUT	1	Nut	Ecrou	Mutter	Tuerca	Ref. 1
5	6190777M91	1	Cartridge	Cartouche	Patrone	Cajoncillo	
6	#SPOOL	1	Spool	Spool	Spool	Spool	Ref. 5
7	6190778M91	1	Package Seals	Pochette De Joints	Dichtungssatz	Juego De Juntas	
8	#O-RING	1	O-Ring	Joint Torique	O-Ring	Junta Tórica	Ref. 7
9	#O-RING	1	O-Ring	Joint Torique	O-Ring	Junta Tórica	Ref. 7
10	#RING, BACKUP	1	Ring, Backup	Contre Bague	Stützring	Anilla	Ref. 7
11	6193287M91	1	Valve	Soupape	Ventil	Válvula De Seguridad	395 Bar
12	#VALVE	1	Valve	Soupape	Ventil	Válvula	Ref. 11
13	6190780M91	1	Package Seals	Pochette De Joints	Dichtungssatz	Juego De Juntas	
14	6109357M1	1	Plate - Craning Valve	Patte De Fixation	Halter	Pata De Fijación	
15	390246X1	2	Bolt M8-70	Goupille	Bolzen	Perno	
16	390972X1	2	Washer M8-17-1 Zwl	Rondelle M8	Scheibe - M8	Arandela	
17	394367X1	2	Nut, Hex. - Nyloc, M8	Ecrou Blocage M8	Flachmutter - M8	Tuerca De Retención	
18	365715X91	2	Connector, Hydr.-Straight, 1 1/16 X 7/8	Borne	Doppelnippel	Conexión, Conj.	
19	#CONNECTOR	1	Connector	Connector	Connector	Connector	Ref. 18
20	835025M1	1	Ring O	Joint Torique	O Ring	Junta De Tipo O	
21	358743X91	1	Connector & O Ring	Borne	Doppelnippel	Unión	
22	#CONNECTOR	1	Connector	Connector	Connector	Connector	Ref. 21
23	831497M1	1	O-Ring	Joint Torique	O-Ring	Junta De Tipo O	
24	6109433M91	1	Tube Assy - Craning Valve	Tuyauterie	Rohrleitung Kplt	Conjunto De Tubería	
25	3521700M91	1	Tee Piece	Te	T-Stück	Te	
26	#TEE	1	Tee	Tee	Tee	Tee	Ref. 25
27	835025M1	1	Ring O	Joint Torique	O Ring	Junta De Tipo O	
28	356582X1	1	Cap - 37 Deg. Flare	Chapeau	Kappe	Sombbrero	
29	6109435M91	1	Tube Assy - Craning Valve	Tuyauterie	Rohrleitung Kplt	Conjunto De Tubería	
30	368113X91	1	Connector (Cran'g Vlv)	Equerre	Winkelstück	Codo, 90°	

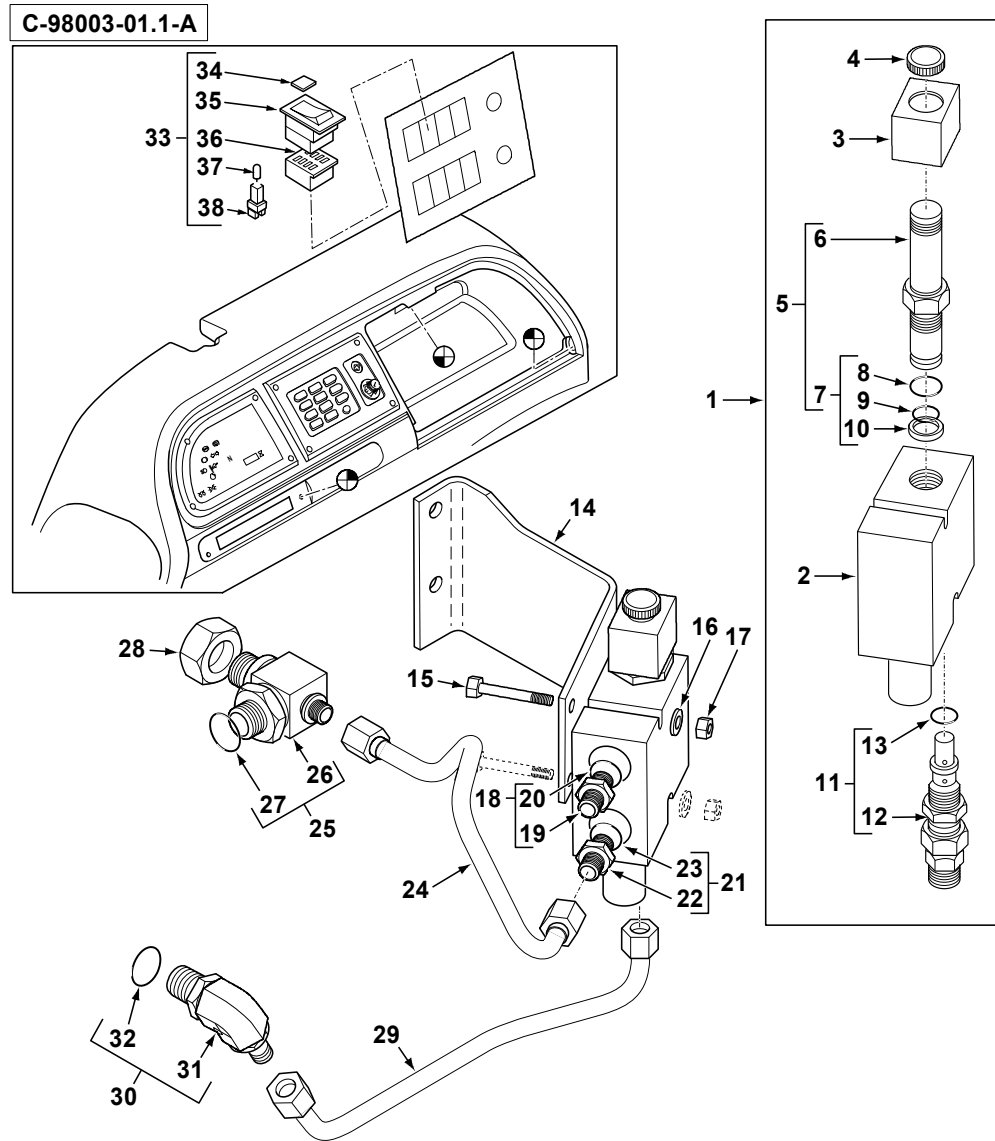


C-98002-01.1-A



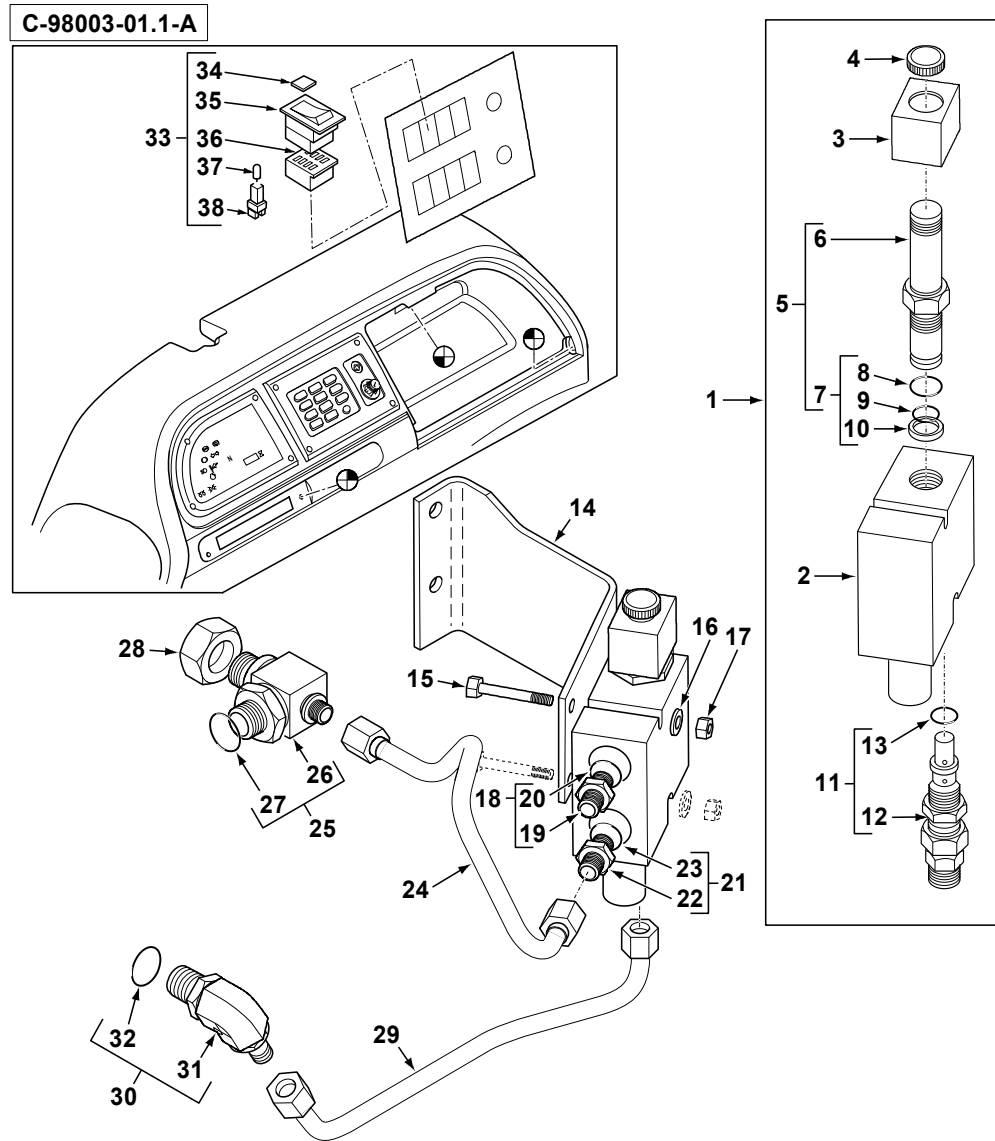
Item	Part No.	Qty.	English	French	German	Spanish	Remarks
31	#ELBOW	1	Elbow	Elbow	Elbow	Elbow	Ref. 30
32	835025M1	1	Ring O	Joint Torique	O Ring	Junta De Tipo O	
33	6101777M91	1	Cover Assy. - Switch Operating	Cache	Abdeckung	Tapa	





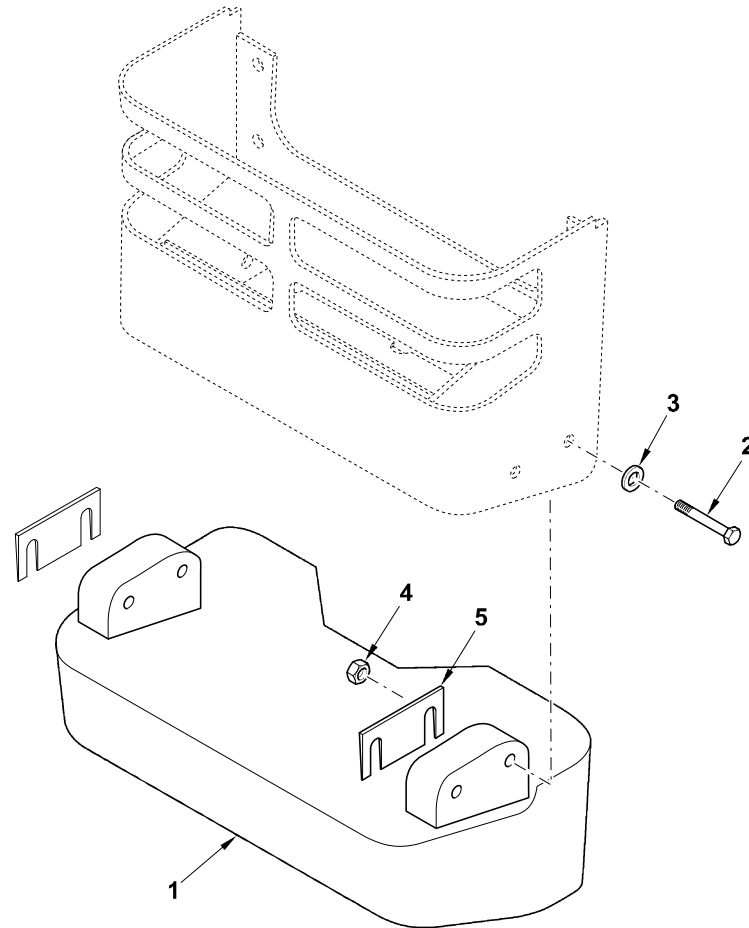
Item	Part No.	Qty.	English	French	German	Spanish	Remarks
1	6102082M92	1	Valve-Craning	Distributeur	Ventil, Kpl	Electroválvula	
2	#BODY	1	Body	Body	Body	Body	Ref. 1
3	6191096M91	1	Coil Assy.	Bobine	Wicklung, Spule	Bobina	
4	#NUT	1	Nut	Ecrou	Mutter	Tuerca	Ref. 1
5	6190777M91	1	Cartridge	Cartouche	Patrone	Cajoncillo	
6	#SPOOL	1	Spool	Spool	Spool	Spool	Ref. 5
7	6190778M91	1	Package Seals	Pochette De Joints	Dichtungssatz	Juego De Juntas	
8	#O-RING	1	O-Ring	Joint Torique	O-Ring	Junta Tórica	Ref. 7
9	#O-RING	1	O-Ring	Joint Torique	O-Ring	Junta Tórica	Ref. 7
10	#RING, BACKUP	1	Ring, Backup	Contre Bague	Stützring	Anilla	Ref. 7
11	6193287M91	1	Valve	Soupape	Ventil	Válvula De Seguridad	395 Bar
12	#VALVE	1	Valve	Soupape	Ventil	Válvula	Ref. 11
13	6190780M91	1	Package Seals	Pochette De Joints	Dichtungssatz	Juego De Juntas	
14	6109357M1	1	Plate - Craning Valve	Patte De Fixation	Halter	Pata De Fijación	
15	390246X1	2	Bolt M8-70	Goupille	Bolzen	Perno	
16	390972X1	2	Washer M8-17-1 Zwl	Rondelle M8	Scheibe - M8	Arandela	
17	394367X1	2	Nut, Hex. - Nyloc, M8	Ecrou Blocage M8	Flachmutter - M8	Tuerca De Retención	
18	365715X91	2	Connector, Hydr.-Straight, 1 1/16 X 7/8	Borne	Doppelnippel	Conexión, Conj.	
19	#CONNECTOR	1	Connector	Connector	Connector	Connector	Ref. 18
20	835025M1	1	Ring O	Joint Torique	O Ring	Junta De Tipo O	
21	358743X91	1	Connector & O Ring	Borne	Doppelnippel	Unión	
22	#CONNECTOR	1	Connector	Connector	Connector	Connector	Ref. 21
23	831497M1	1	O-Ring	Joint Torique	O-Ring	Junta De Tipo O	
24	6109433M91	1	Tube Assy - Craning Valve	Tuyauterie	Rohrleitung Kplt	Conjunto De Tubería	
25	3521700M91	1	Tee Piece	Te	T-Stück	Te	
26	#TEE	1	Tee	Tee	Tee	Tee	Ref. 25
27	835025M1	1	Ring O	Joint Torique	O Ring	Junta De Tipo O	
28	356582X1	1	Cap - 37 Deg. Flare	Chapeau	Kappe	Sombbrero	
29	6109435M91	1	Tube Assy - Craning Valve	Tuyauterie	Rohrleitung Kplt	Conjunto De Tubería	
30	368113X91	1	Connector (Cran'g Vlv)	Equerre	Winkelstück	Codo, 90°	





Item	Part No.	Qty.	English	French	German	Spanish	Remarks
31	#ELBOW	1	Elbow	Elbow	Elbow	Elbow	Ref. 30
32	835025M1	1	Ring O	Joint Torique	O Ring	Junta De Tipo O	
33	3521579M93	1	Switch Assy Boom Lock	Commutateur Ass.	Schalter Kplt	Conmutador, Conj.	
34	3512504M1	1	Symbol Boom Lock	Embleme	Emblem	Emblema	
35	6000046M91	1	Switch Assy Boom Lock	Commutateur Ass.	Schalter Kplt	Contactar	
36	#HOUSING	1	Housing	Carter	Gehäuse	Alojamiento	Ref. 33
37	3523562M1	1	Bulb, 12 Volt, 1.2 Watt, Capless	Ampoule 12v 1.2w	Glühl 12v 1.2w	Lámpara	
38	#HOLDER	1	Holder	Holder	Holder	Holder	

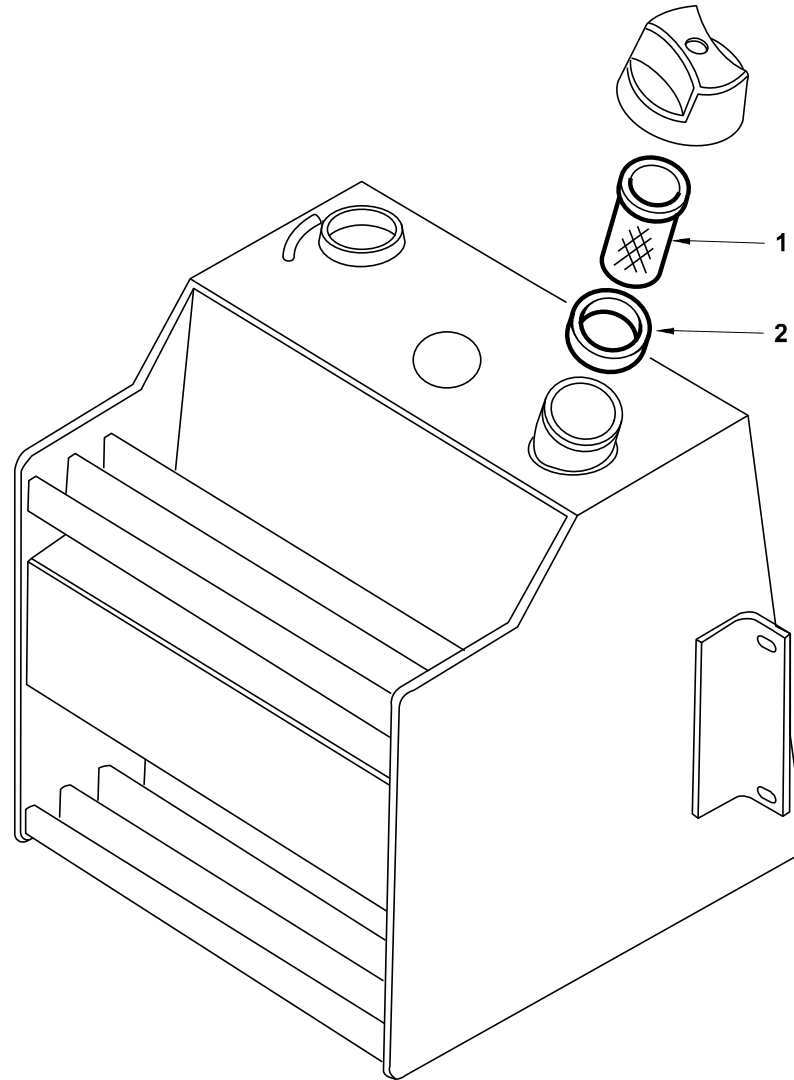
C-98001-01.1-B



Item	Part No.	Qty.	English	French	German	Spanish	Remarks
1	6109016M1	1	Counterweight-Front	Contrepoids	Gegengewicht	Contrapeso	
2	6007822M1	4	Bolt- M16 X 120lg-10.9	Boulon M16 X 120	Schraube M16 X 120	Perno	
3	3019575X1	4	Washer M16 Hardened	Rondelle	Scheibe	Arandela	
4	1442739X1	4	Nut Nyloc M16	Ecrou Blocage	Flachmutter	Tuerca	
5	6114056M1	2	Counterweight Spacer	Entretoise	Abstandstück	Pieza Distancia	



C-98071-01.1-A



Item	Part No.	Qty.	English	French	German	Spanish	Remarks
1	3518545M1	1	Strainer Assy. - Fuel Tank Neck	Crépine Ass.	Siebelement Kplt	Alcachofa	
2	6106533M1	1	Washer - Fuel Tank Strainer	Rondelle	Scheibe	Arandela	



Not Illustrated

Non Illustrée

Nicht Abgebildet

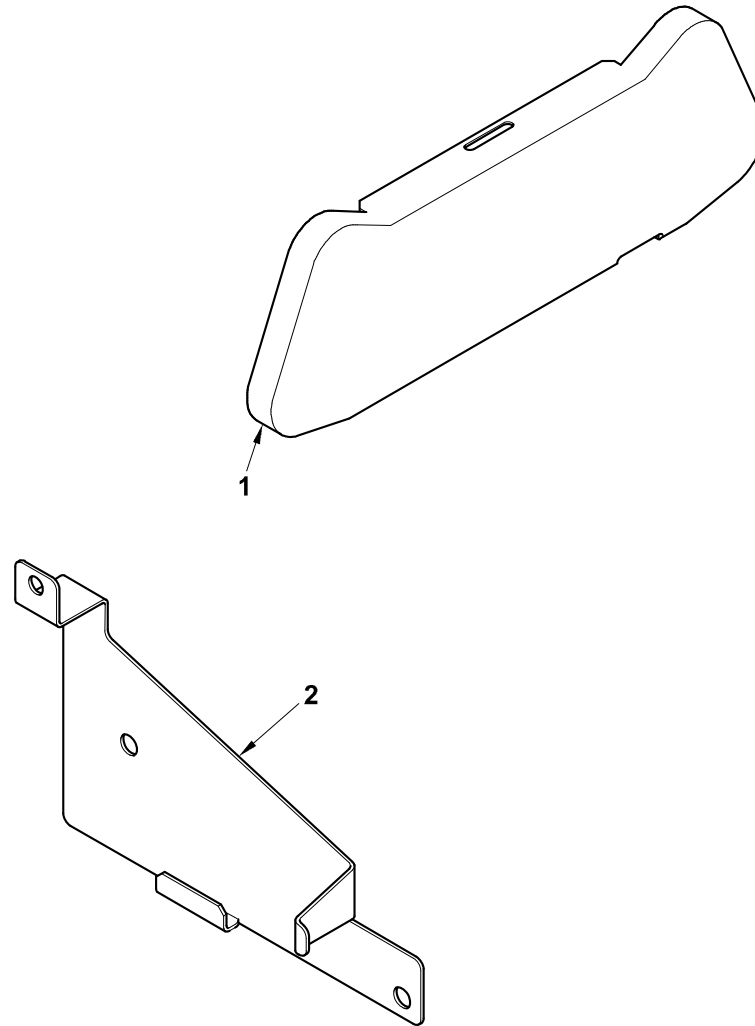
Non Illustrato

No Ilustrado

Item	Part No.	Qty.	English	French	German	Spanish	Remarks
-------------	-----------------	-------------	----------------	---------------	---------------	----------------	----------------



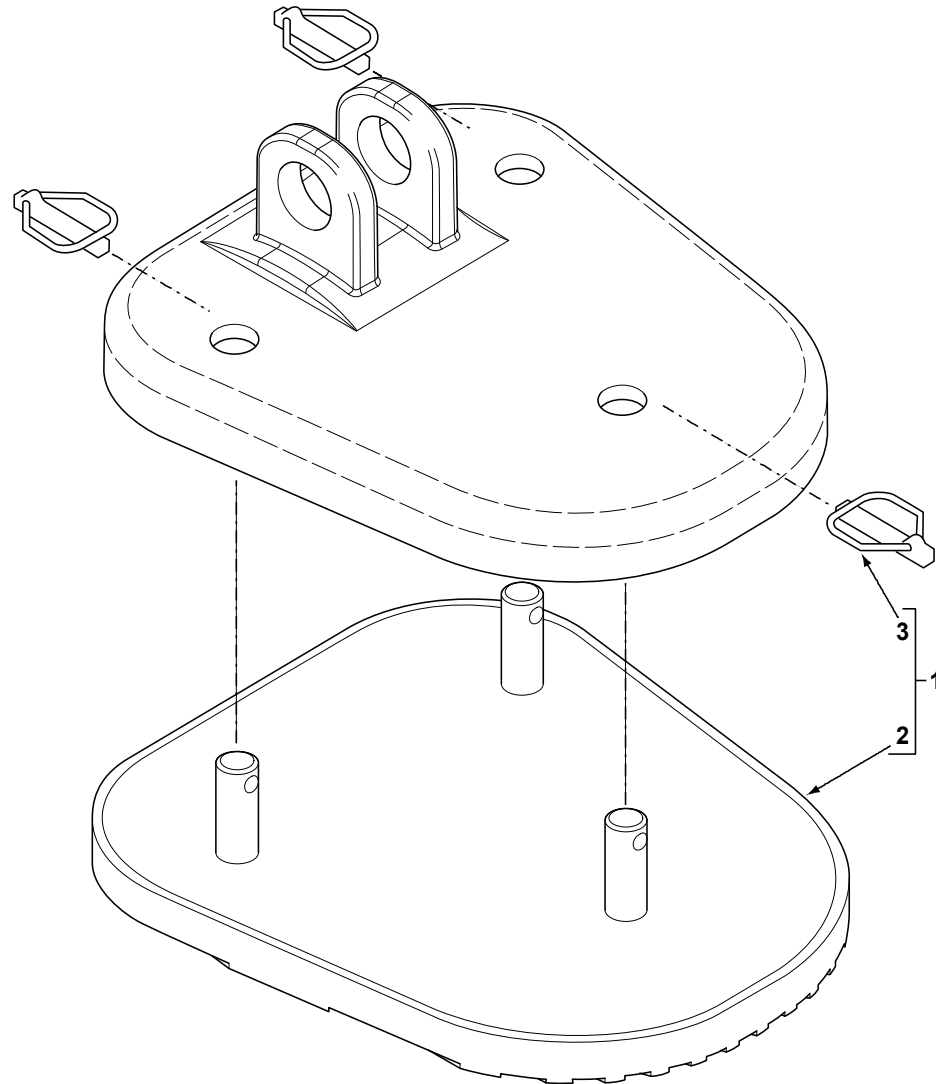
C-98106-01.1-C



Item	Part No.	Qty.	English	French	German	Spanish	Remarks
1	6102590M1	1	Cover-Console-Front	Cache	Abdeckung	Tapa	
2	6111198M1	1	Bracket - Vandal Guard	Support Fixation	Haltearm	Pata De Fijación	



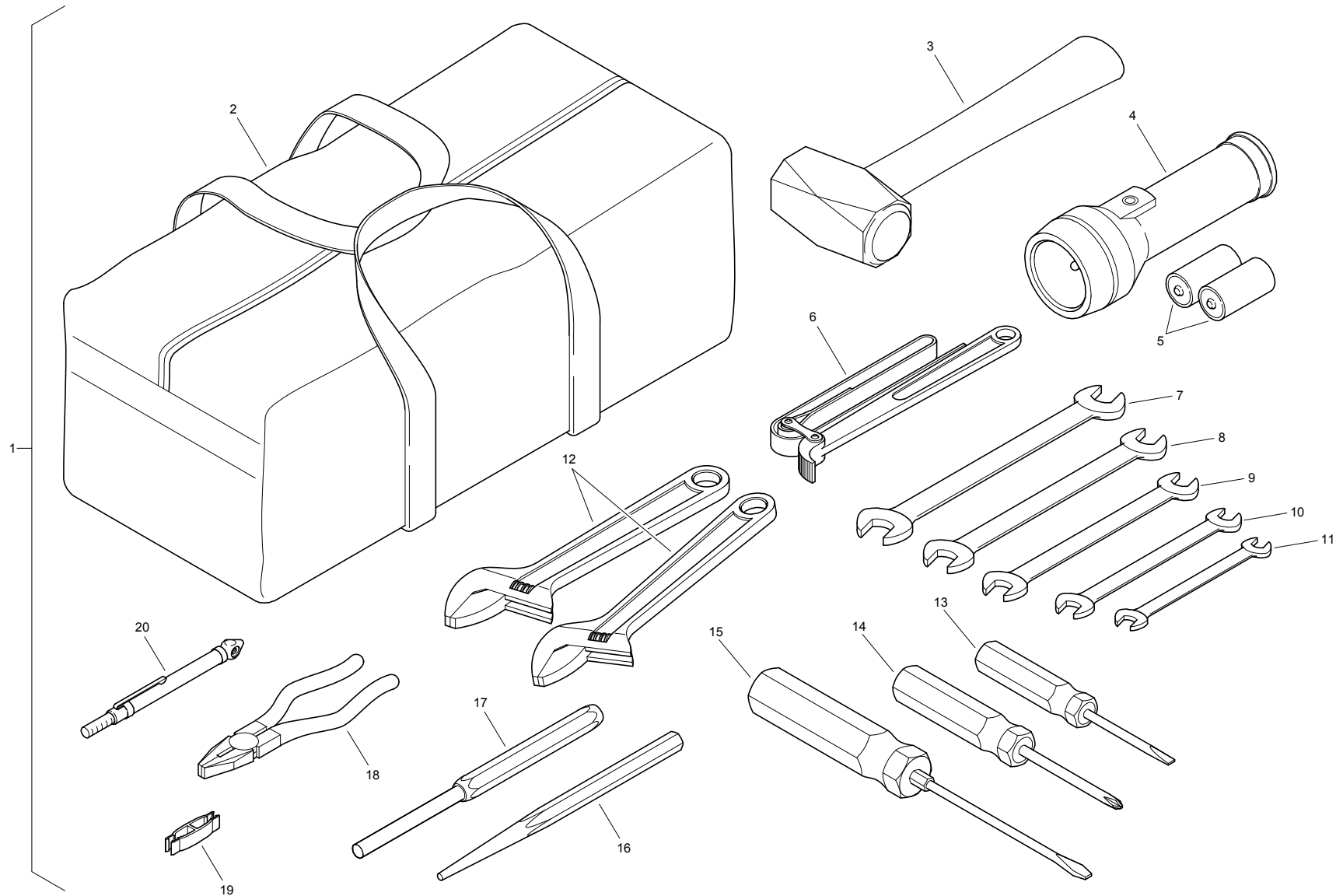
C-98110-01.1-A



Item	Part No.	Qty.	English	French	German	Spanish	Remarks
1	6102860M92	2	Street Pad - Stabiliser Foot Sideshift	Plaque Antidérapante	Zwischenlage	Cinta Antideslizante	
2	#PAD	1	Pad	Pad	Pad	Pad	Ref.1
3	3516522M91	3	Pin Safety Linch	Goupille D´Arrêt	Klappstecker	Pasador De Parada	



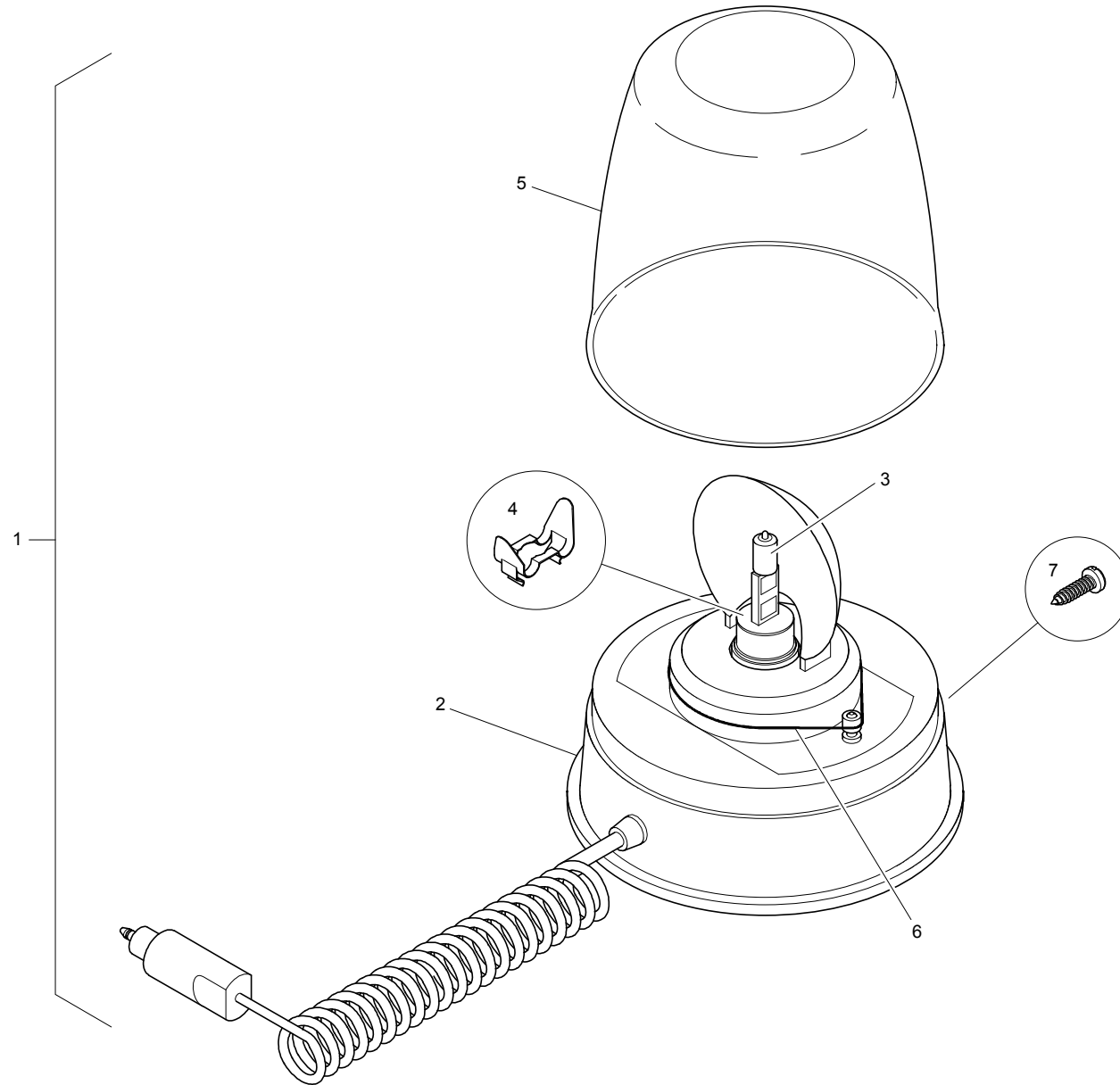
C-98019-01.1-B



Item	Part No.	Qty.	English	French	German	Spanish	Remarks
1	3621190M93	1	Tool Kit - Service	Jeu Outils	Werkzeugsatz	Herramientas	
2	#BAG, TOOL	1	Bag, Tool	Bag, Tool	Bag, Tool	Bag, Tool	Ref. 1
3	#HAMMER	1	Hammer	Hammer	Hammer	Hammer	2 1/2lb Lump Ref. 1
4	#TORCH	1	Torch	Torch	Torch	Torch	Ref. 1
5	#BATTERY	1	Battery	Battery	Battery	Battery	Pair Ref.1
6	#WRENCH	1	Wrench	Wrench	Wrench	Wrench	Oil Filter 100mm Ref. 1
7	#SPANNER	1	Spanner	Spanner	Spanner	Spanner	18 X 19mm Ref. 1
8	#SPANNER	1	Spanner	Spanner	Spanner	Spanner	16 X 17mm Ref. 1
9	#SPANNER	1	Spanner	Spanner	Spanner	Spanner	14 X 15mm Ref. 1
10	#SPANNER	1	Spanner	Spanner	Spanner	Spanner	12 X 13mm Ref. 1
11	#SPANNER	1	Spanner	Spanner	Spanner	Spanner	10 X 11mm Ref. 1
12	#SPANNER	2	Spanner	Spanner	Spanner	Spanner	Adjustable Ref. 1
13	#SCREWDRIVER	1	Screwdriver	Screwdriver	Screwdriver	Screwdriver	Flat Ref. 1
14	#SCREWDRIVER	1	Screwdriver	Screwdriver	Screwdriver	Screwdriver	Flat Ref. 1
15	#SCREWDRIVER	1	Screwdriver	Screwdriver	Screwdriver	Screwdriver	Cross Head Ref. 1
16	#DRIFT	1	Drift	Drift	Drift	Drift	Taper Ref. 1
17	#DRIFT	1	Drift	Drift	Drift	Drift	Parallel Ref. 1
18	#PLIERS	1	Pliers	Pliers	Pliers	Pliers	6" Engineers Ref. 1
19	#FUSE REMOVER	1	Fuse Remover	Fuse Remover	Fuse Remover	Fuse Remover	Ref. 1
20	#GAUGE	1	Gauge	Gauge	Gauge	Gauge	Tyre Pressure Ref. 1



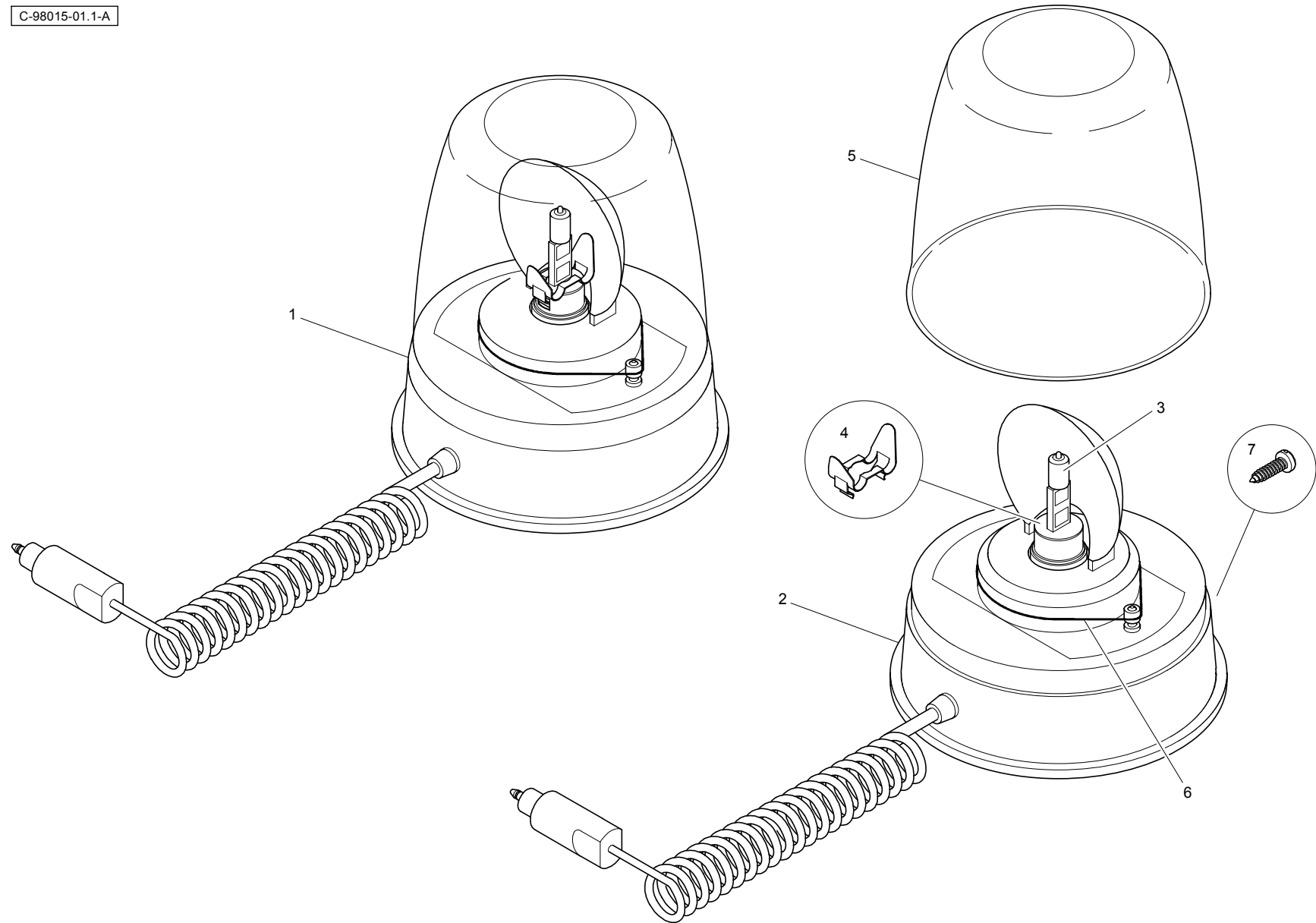
C-98016-01.1-A



Item	Part No.	Qty.	English	French	German	Spanish	Remarks
1	3517622M91	1	Rotating Beacon - Magnetic Fix	Feu Intermittent	Rundumleuchte	Luz Giratoria	
2	#BASE	1	Base	Base	Base	Base	Ref. 1
3	3523689M1	1	Bulb 12v.55w	Lampe	Lampe	Lámpara	
4	6190229M1	1	Clip	Clip	Befestigungsschelle	Soporte	
5	6190227M1	1	Lens	Cabocho	Streuscheibe	Lente	
6	6190228M1	1	Belt	Courroie	Riemen	Correa	
7	365915X1	1	Screw- No 6 X 16 Lg (Iso 8.8) Zinc	Vis	Schraube	Tornillo	



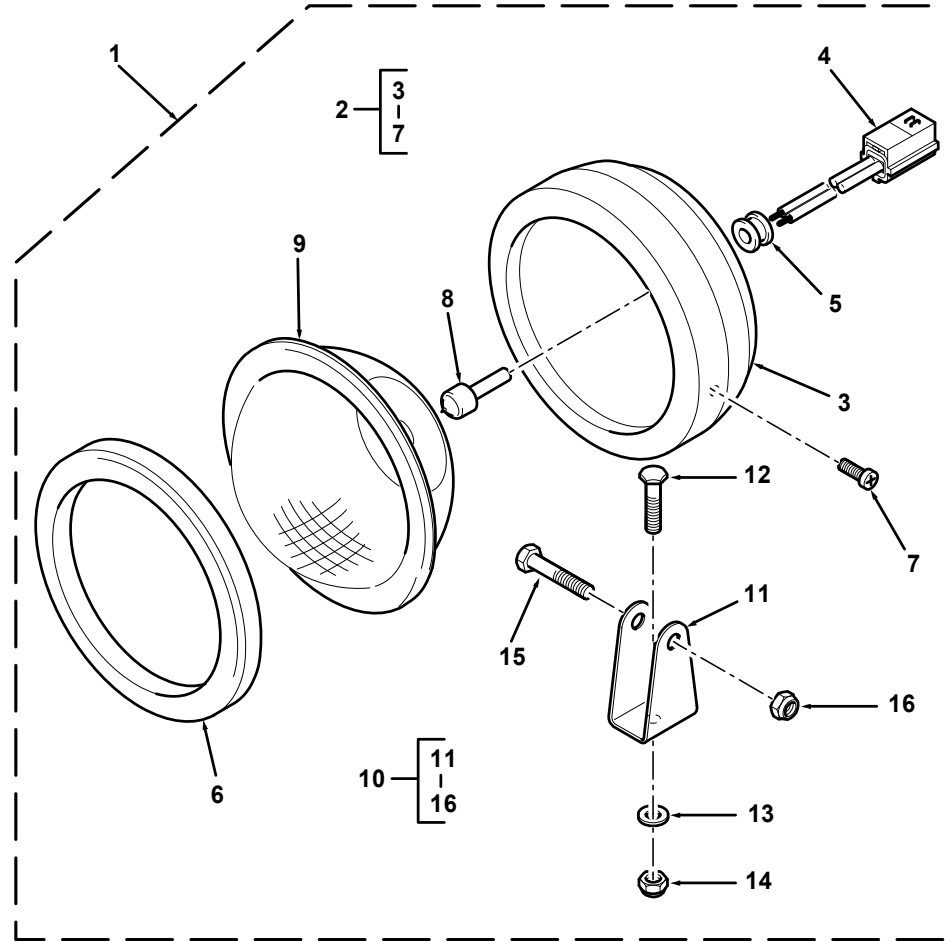
C-98015-01.1-A



Item	Part No.	Qty.	English	French	German	Spanish	Remarks
1	3517622M91	2	Rotating Beacon - Magnetic Fix	Feu Intermittent	Rundumleuchte	Luz Giratoria	
2	#BASE	1	Base	Base	Base	Base	Ref. 1
3	3523689M1	1	Bulb 12v.55w	Lampe	Lampe	Lámpara	
4	6190229M1	1	Clip	Clip	Befestigungsschelle	Soporte	
5	6190227M1	1	Lens	Cabocho	Streuscheibe	Lente	
6	6190228M1	1	Belt	Courroie	Riemen	Correa	
7	365915X1	1	Screw- No 6 X 16 Lg (Iso 8.8) Zinc	Vis	Schraube	Tornillo	



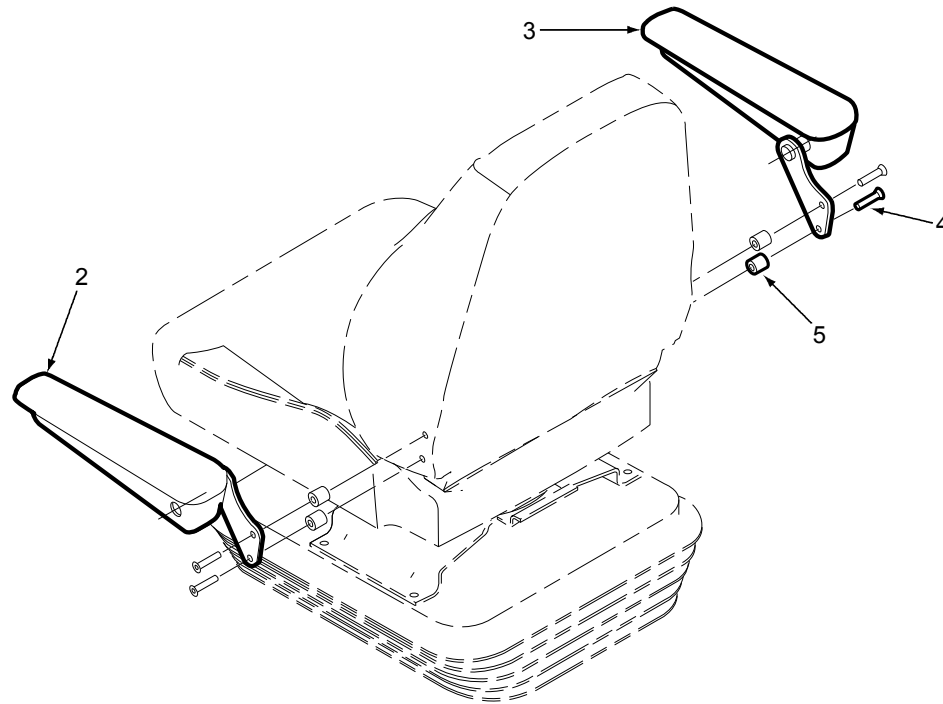
C-98185-01.1-A



Item	Part No.	Qty.	English	French	German	Spanish	Remarks
1	6110678M91	2	Work Lamp - Rop's	Ensemble Phare Travail	Arbeitslicht Kpl.	Faro De Trabajo, Conj.	
2	6194299M91	1	Kit - Worklamp Parts	Lot De Pièces	Lampensatz	Juego De Piezas	
3	#BODY	1	Body	Body	Body	Body	Ref. 2
4	#HARNES	1	Harness	Harness	Harness	Harness	Ref. 2
5	#GROMMET	1	Grommet	Grommet	Grommet	Grommet	Ref. 2
6	#RIM	1	Rim	Rim	Rim	Rim	Ref. 2
7	#SCREW	1	Screw	Vis	Schraube	Tornillo	Ref. 2
8	3523689M1	1	Bulb 12v.55w	Lampe	Lampe	Lámpara	
9	6194002M91	1	Light Unit Without Bulb	Catadioptr	Rückstrahler	Re•ector	
10	6194003M91	1	Kit - Bracket + Hardwear (Worklamp)	Patte Fixation	Halter	Juego De Piezas	
11	#BRACKET	1	Bracket	Bracket	Bracket	Bracket	Ref. 10
12	#BOLT	1	Bolt	Boulon	Schraubbolzen	Perno	Ref. 10
13	#WASHER	1	Washer	Rondelle	Unterlegscheibe	Arandela	Ref. 10
14	#NUT	1	Nut	Ecrou	Mutter	Tuerca	Ref. 10
15	#BOLT	1	Bolt	Boulon	Schraubbolzen	Perno	Ref. 10
16	#NUT	1	Nut	Ecrou	Mutter	Tuerca	Ref. 10



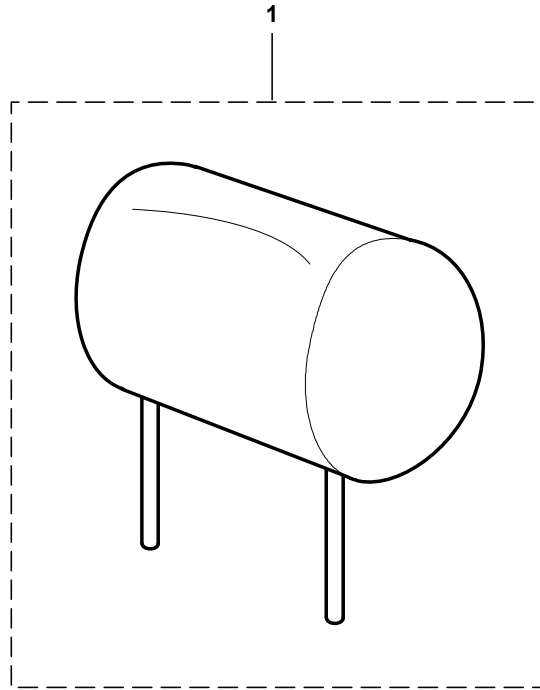
C-98017-01.1-A



Item	Part No.	Qty.	English	French	German	Spanish	Remarks
1	6102822M93	1	Kit - Seat Armrest	Jeu Accoudoirs	Satz Armlehnen	Juego De Apoyabrazos	
2	6102814M92	1	Armrest Assy. - LH	Accoudoir	Armlehne	Apoyabrazos	
3	6102815M92	1	Armrest Assy. - RH	Accoudoir	Armlehne	Apoyabrazos	
4	6102829M1	4	Screw M8 X 60 - Special, C/Sunk Sock. HD	Vis	Schraube	Tornillo	
5	6107425M1	4	Spacer - Armrest Kit	Entretoise	Distanzstück	Traviesa	



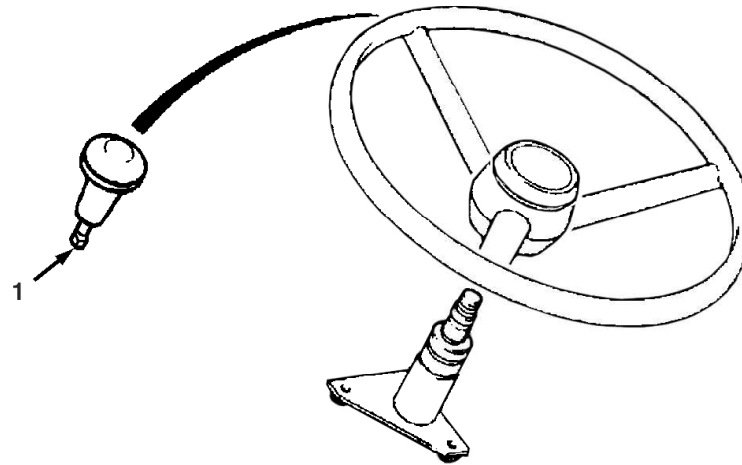
C-98107-01.1-A



Item	Part No.	Qty.	English	French	German	Spanish	Remarks
1	6108913M1	1	Headrest Terex Fabric	Repose Tete	Kopfstutze	Apoya Cabeza	



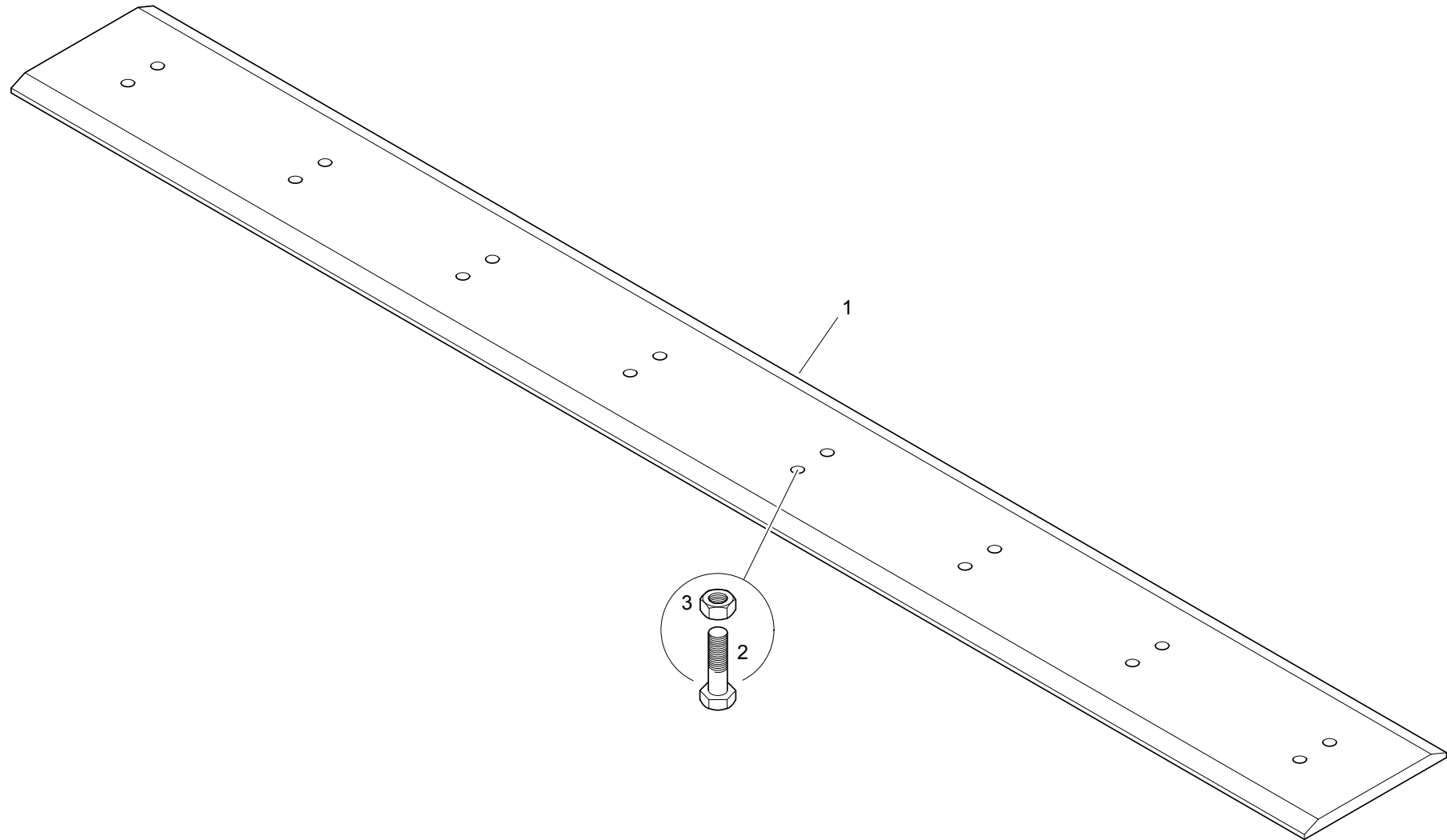
C-98014-01.1-A



Item	Part No.	Qty.	English	French	German	Spanish	Remarks
1	6106163M91	1	Knob-Spinner Steering Wheel	Boule	Kugelknopf	Bola	



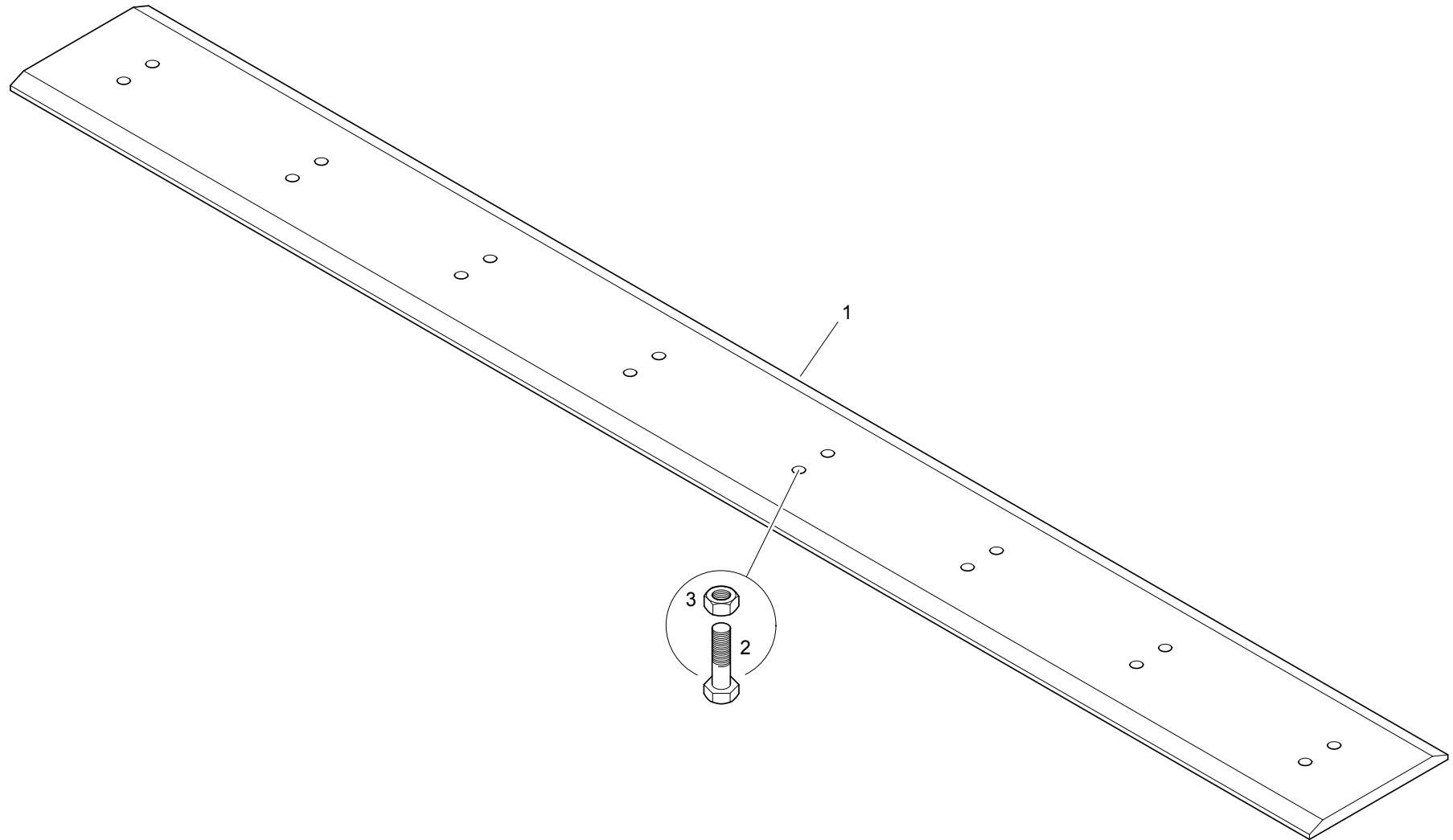
C-98013-01.1-A



Item	Part No.	Qty.	English	French	German	Spanish	Remarks
1	6106228M1	1	Blade, Bolt-On - Loader Bucket, 2310mm	Lame D'Attaque	Schneidkante	Cuchilla De Ataque	
2	3009480X1	16	Bolt, Hex. Socket Head - M16 X 60	Goupille	Sechskantschraube	Tornillo	
3	339034X1	16	Nut, Hex. - M16, Coarse, Grade 8	Ecrou Métrique	Mutter Metrisch	Tuerca	



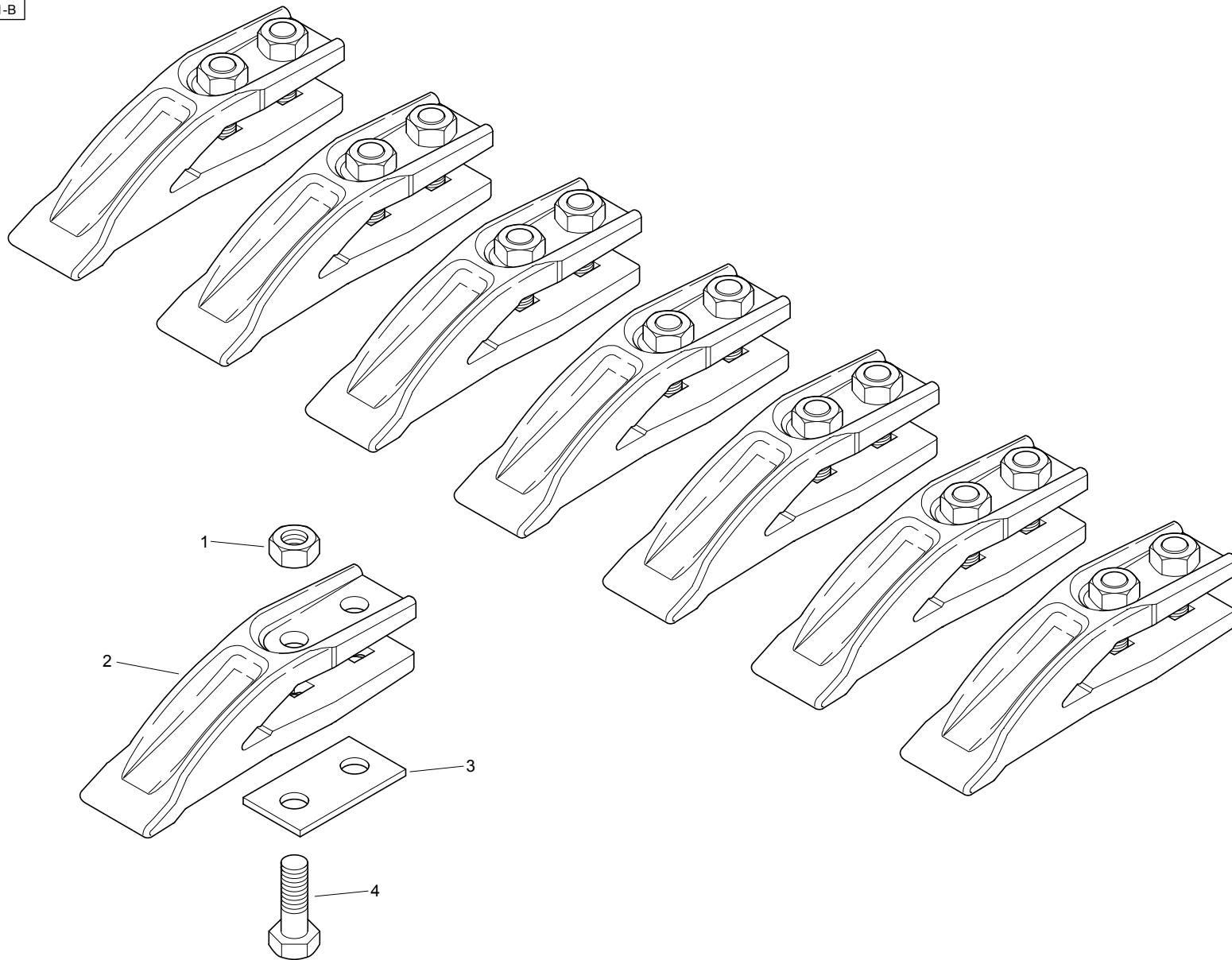
C-98012-01.1-A



Item	Part No.	Qty.	English	French	German	Spanish	Remarks
1	3517383M2	1	Blade, Loader Bucket - 2386mm	Lame D'Attaque	Schneidkante	Cuchilla De Ataque	
2	3009480X1	16	Bolt, Hex. Socket Head - M16 X 60	Goupille	Sechskantschraube	Tornillo	
3	339034X1	16	Nut, Hex. - M16, Coarse, Grade 8	Ecrou Métrique	Mutter Metrisch	Tuerca	



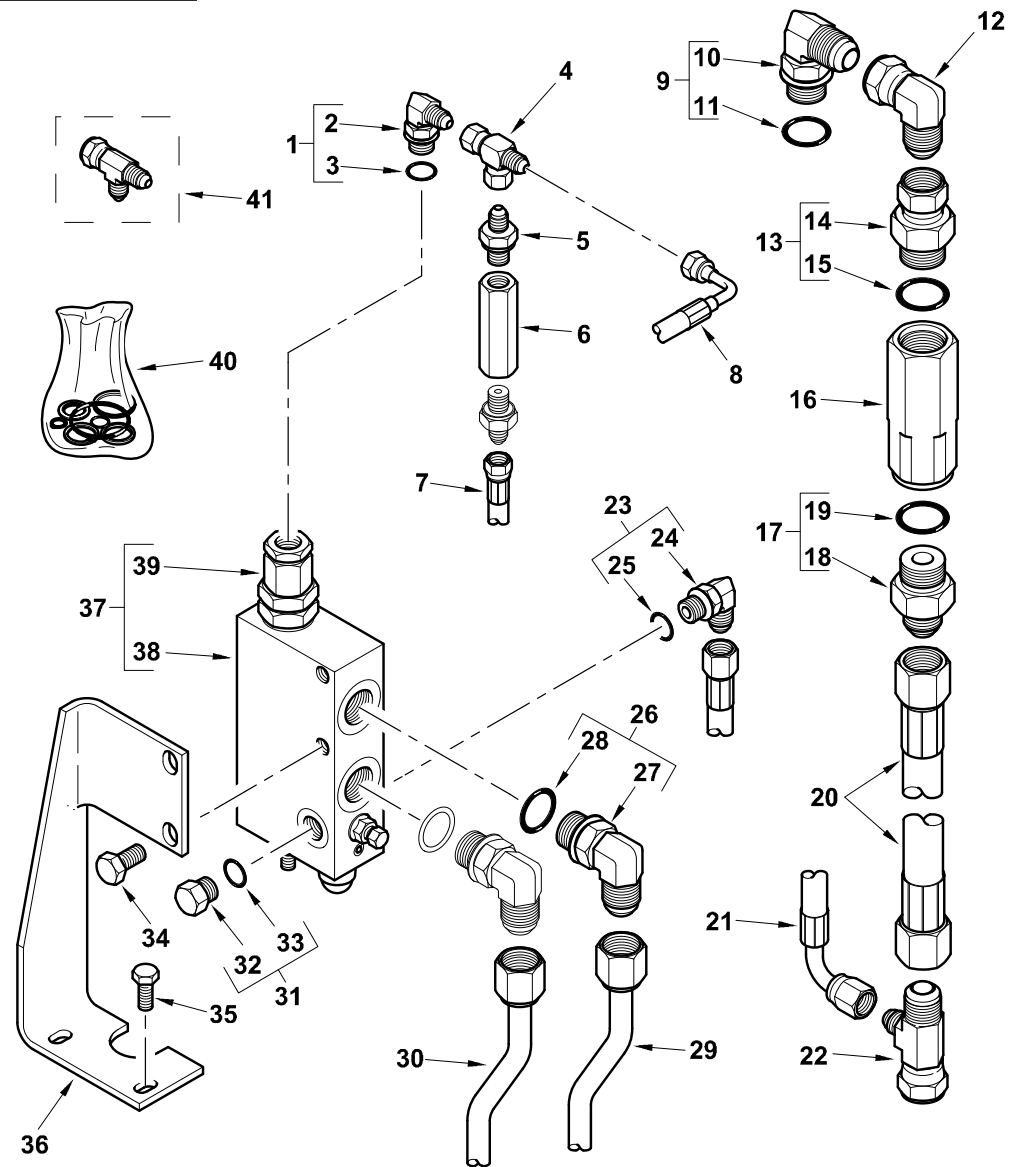
C-98011-01.1-B



Item	Part No.	Qty.	English	French	German	Spanish	Remarks
1	353427X1	16	Nut, Hex. - 5/8" Unf	Ecrou 5/8" Unf	Mutter 5/8" Unf	Tuerca	
2	1462201M3	8	Tooth, Bucket	Dent	Zahn	Diente	
3	3519698M1	8	Packer - Bucket Teeth	Patin D'usure	Verschleisskissen	Patín De Desgaste	
4	353915X1	16	Bolt, Plough - Special, 5/8" Unf X 2.62"	Boulon	Spezialschraube	Perno	



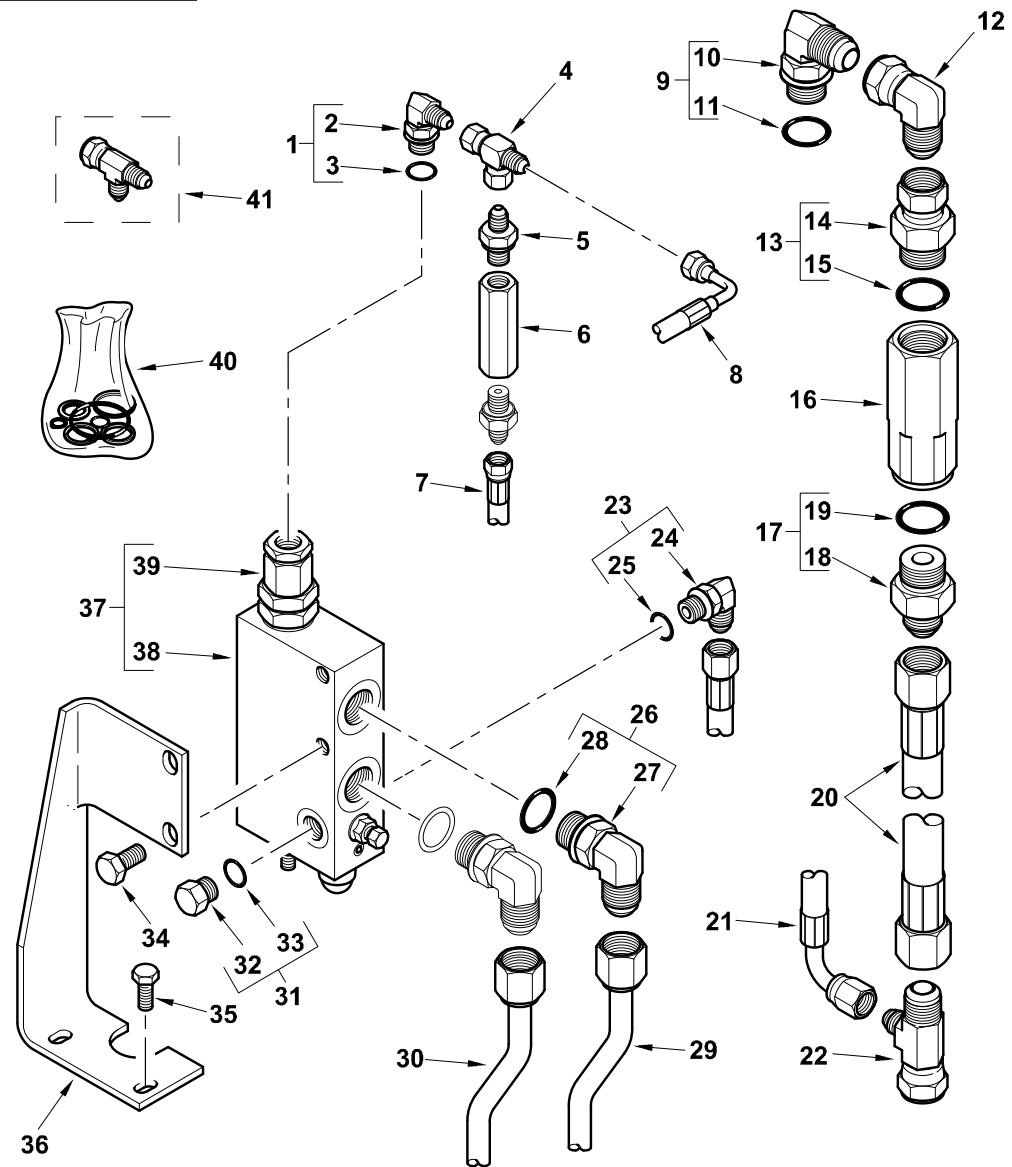
C-98039-01.1-B



Item	Part No.	Qty.	English	French	German	Spanish	Remarks
1	358760X91	1	Elbow 90#7/16-7/16 Unf	Coude, 90	Kniestück, 90°	Codo, 90°	
2	#ELBOW	1	Elbow	Elbow	Elbow	Elbow	Ref. 1
3	831495M1	1	O-Ring	Joint Torique	O-Ring	Junta De Tipo O	
4	6110514M91	1	Union - Swivel Run Tee	Raccord En T	T-Stück	Te	
5	6106088M91	2	Connector, Hydraulic	Borne	Doppelnippel	Conector	
6	6110513M91	1	Check Valve	Clapet Anti-Retour	Ventil, Rückschlag-	Válvula De Parada	
7	6110512M91	1	Hose Assy	Flexible Ass.	Schlauch Kplt	Flexible, Conj.	
8	6110512M91	1	Hose Assy	Flexible Ass.	Schlauch Kplt	Flexible, Conj.	
9	835007M91	1	Elbow 90 Degree Adjust	Coude 90°	Kniestück 90°	Codo, 90°	
10	#ELBOW	1	Elbow	Elbow	Elbow	Elbow	Ref. 9
11	835024M1	1	Ring O - Boa	Joint Torique	O Ring	Junta De Tipo O	
12	367386X1	1	Elbow Swiv. 7/8"	Coude	Winkelstuck	Codo, 90°	
13	6109944M91	1	Connector Swivel 1-1/16jicm X 7/8jicf	Ensemble Connexion	Stecker Kpl.	Conexión, Conj.	
14	#CONNECTOR	1	Connector	Connector	Connector	Connector	Ref. 13
15	835025M1	1	Ring O	Joint Torique	O Ring	Junta De Tipo O	
16	6109877M91	1	Check Valve	Clapet Anti-Retour	Ventil, Rückschlag-	Válvula De Parada	
17	365715X91	1	Connector, Hydr.-Straight, 1 1/16 X 7/8	Borne	Doppelnippel	Conexión, Conj.	
18	#CONNECTOR	1	Connector	Connector	Connector	Connector	Ref. 17
19	835025M1	1	Ring O	Joint Torique	O Ring	Junta De Tipo O	
20	6110437M91	1	Hose Assy - Boom Cylinder Head	Flexible Ass.	Schlauch Kplt	Flexible, Conj.	
21	6109247M91	1	Hose Assy - Orb To S-Cyl LH	Flexible Ass.	Schlauch Kplt	Flexible, Conj.	
22	6102014M91	1	Tee-Hose Burst	Raccord	T Stuck	Te	
23	357197X91	1	Elbow & O Ring	Coude	Kniestück, 90°	Codo, 90°	
24	#ELBOW	1	Elbow	Elbow	Elbow	Elbow	Ref. 23
25	831452M1	1	O Ring (Pack Of 10)	Joint Torique	O Ring	Junta De Tipo O	
26	835007M91	2	Elbow 90 Degree Adjust	Coude 90°	Kniestück 90°	Codo, 90°	
27	#ELBOW	1	Elbow	Elbow	Elbow	Elbow	Ref. 26
28	835024M1	1	Ring O - Boa	Joint Torique	O Ring	Junta De Tipo O	
29	6101966M91	1	Hose-Boom Cyl Hose Hose	Flexible Ass.	Schlauch Kplt	Flexible, Conj.	
30	#TUBE	1	Tube	Tube	Tube	Tube	Boom Cylinder



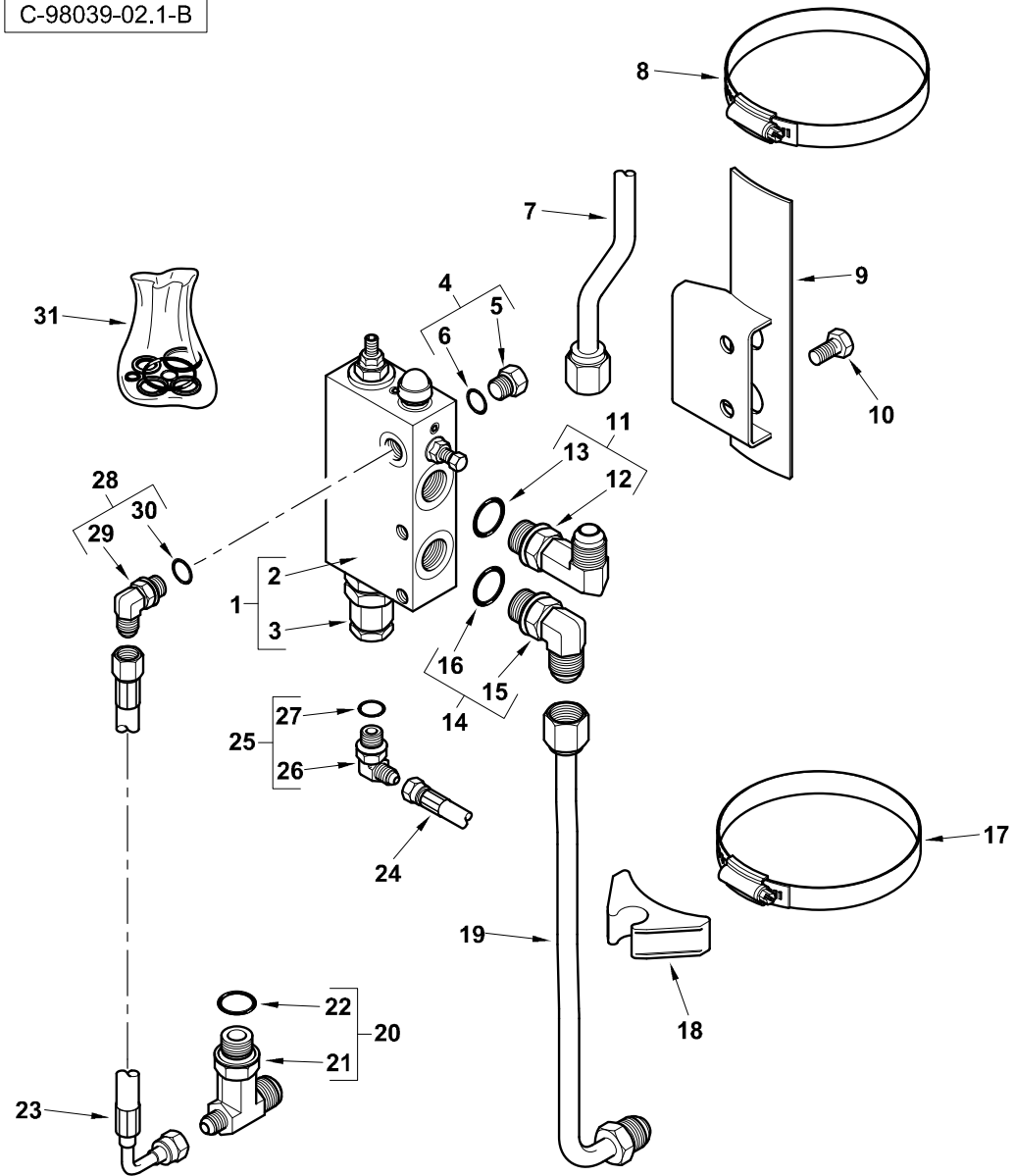
C-98039-01.1-B



Item	Part No.	Qty.	English	French	German	Spanish	Remarks
31	835087M91	1	Plug 9/16"	Bouchon	Stopfen	Tapón, Conj.	
32	#PLUG	1	Plug	Plug	Plug	Plug	Ref. 31
33	831452M1	1	O Ring (Pack Of 10)	Joint Torique	O Ring	Junta De Tipo O	
34	3009491X1	2	Bolt M10 X 20	Boulon	Maschschraube M10	Tornillo	
35	339123X1	2	Bolt M8-20 Z5f	Boulon M8 X 20	Maschschraube M8	Perno	
36	6101960M1	1	Bracket-Boom Cyl Valve	Support	Haltevorrichtung	Pata De Fijación	
37	6109649M91	1	Valve - Hose Burst Boom	Soupape Verrouillage	Sperrventil	Válvula De Bloqueo.	
38	#VALVE	1	Valve	Soupape	Ventil	Válvula	Ref. 37
39	6194035M91	1	Vs5 Pilot Bypass Relief Cartridge	Cartouche	Patrone	Cartucho, Conj.	
40	6194034M91	1	Seal Kit	Jeu Étanchéité	Dichtringsatz	Juego De Juntas	
41	371725X1	1	Tee 7/16	Te	T-Stück	Te	



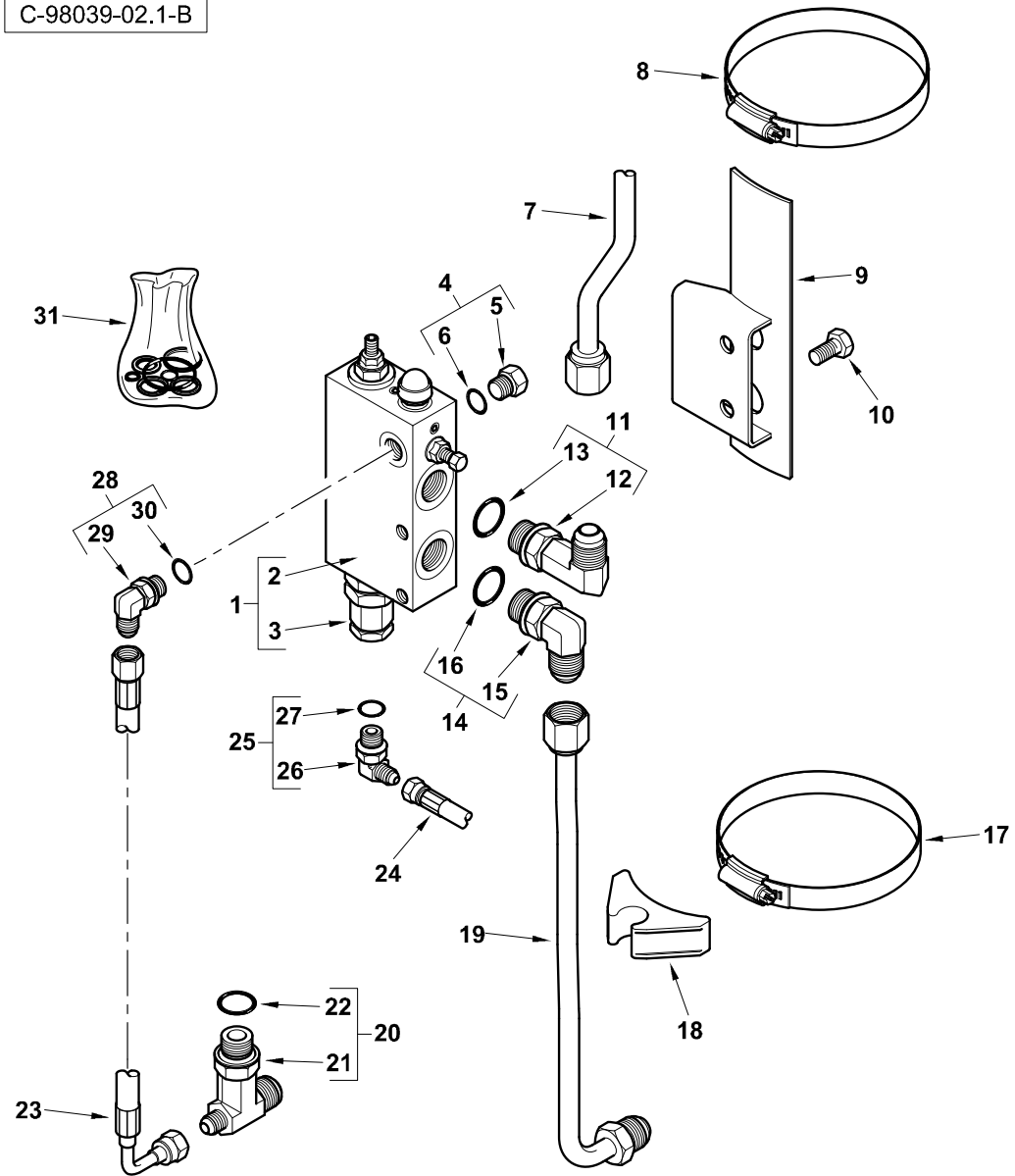
C-98039-02.1-B



Item	Part No.	Qty.	English	French	German	Spanish	Remarks
1	6109882M91	1	Valve - Hose Burst Dipper	Soupape Verrouillage	Sperrventil	Válvula De Bloqueo.	
2	#VALVE	1	Valve	Soupape	Ventil	Válvula	Ref. 1
3	6194035M91	1	Vs5 Pilot Bypass Relief Cartridge	Cartouche	Patrone	Cartucho, Conj.	
4	835087M91	1	Plug 9/16"	Bouchon	Stopfen	Tapón, Conj.	
5	#PLUG	1	Plug	Plug	Plug	Plug	Ref. 4
6	831452M1	1	O Ring (Pack Of 10)	Joint Torique	O Ring	Junta De Tipo O	
7	6110006M91	1	Tube Assy - Dipper Hose Burst	Tuyauterie	Rohrleitung Kplt	Conjunto De Tubería	
8	3517731M1	2	Clamp-Hose	Bride Pour Tutaux	Schlauchschelle	Argolla De Fijación	
9	6110008M91	1	Bracket Assy - Hose Burst Dipper	Patte Fixation	Halter	Cuchara, Conj.	
10	3009491X1	2	Bolt M10 X 20	Boulon	Maschschraube M10	Tornillo	
11	6101624M91	1	Elbow 90deg-Long	Coude À 90°	Winkelstuck	Codo, 90°	
12	#ELBOW	1	Elbow	Elbow	Elbow	Elbow	Ref. 11
13	835024M1	1	Ring O - Boa	Joint Torique	O Ring	Junta De Tipo O	
14	835007M91	1	Elbow 90 Degree Adjust	Coude 90°	Kniestück 90°	Codo, 90°	
15	#ELBOW	1	Elbow	Elbow	Elbow	Elbow	Ref. 14
16	835024M1	1	Ring O - Boa	Joint Torique	O Ring	Junta De Tipo O	
17	3517732M1	1	Clip, Hose	Collier Durit	Schlauchschelle	Argolla De Fijación	
18	D142787	1	Saddle (See 142787d)	Selle	Sattel	Bloque De Caucho	
19	6110004M91	1	Tube Assy - Dipper Cyl (Hose Burst)	Tuyauterie	Rohrleitung Kplt	Conjunto De Tubería	
20	6101954M91	1	Tee-Long	Raccord	Verschraubung	Te	
21	#TEE	1	Tee	Tee	Tee	Tee	Ref. 20
22	835024M1	1	Ring O - Boa	Joint Torique	O Ring	Junta De Tipo O	
23	6101955M91	1	Hose-Hose Burst Pilot Press.	Flexible Ass.	Schlauch Kplt	Flexible, Conj.	
24	6110512M91	1	Hose Assy	Flexible Ass.	Schlauch Kplt	Flexible, Conj.	
25	358760X91	1	Elbow 90#7/16-7/16 Unf	Coude, 90	Kniestück, 90°	Codo, 90°	
26	#ELBOW	1	Elbow	Elbow	Elbow	Elbow	Ref. 25
27	831495M1	1	O-Ring	Joint Torique	O-Ring	Junta De Tipo O	
28	357197X91	1	Elbow & O Ring	Coude	Kniestück, 90°	Codo, 90°	
29	#ELBOW	1	Elbow	Elbow	Elbow	Elbow	Ref. 28
30	831452M1	1	O Ring (Pack Of 10)	Joint Torique	O Ring	Junta De Tipo O	



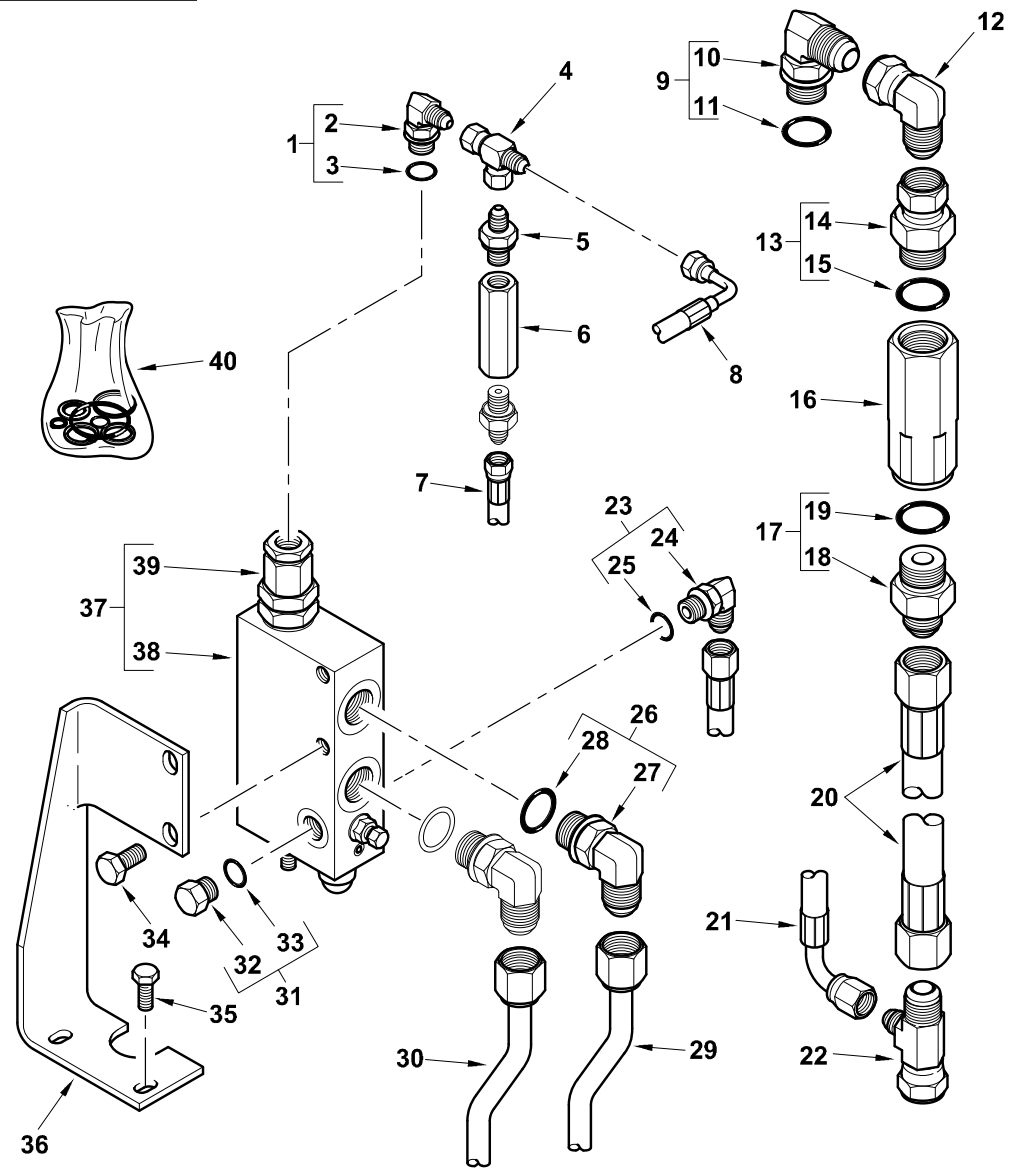
C-98039-02.1-B



Item	Part No.	Qty.	English	French	German	Spanish	Remarks
31	6194036M91	1	Seal Kit	Jeu Etancheite	Dichtringsatz	Juego De Juntas	

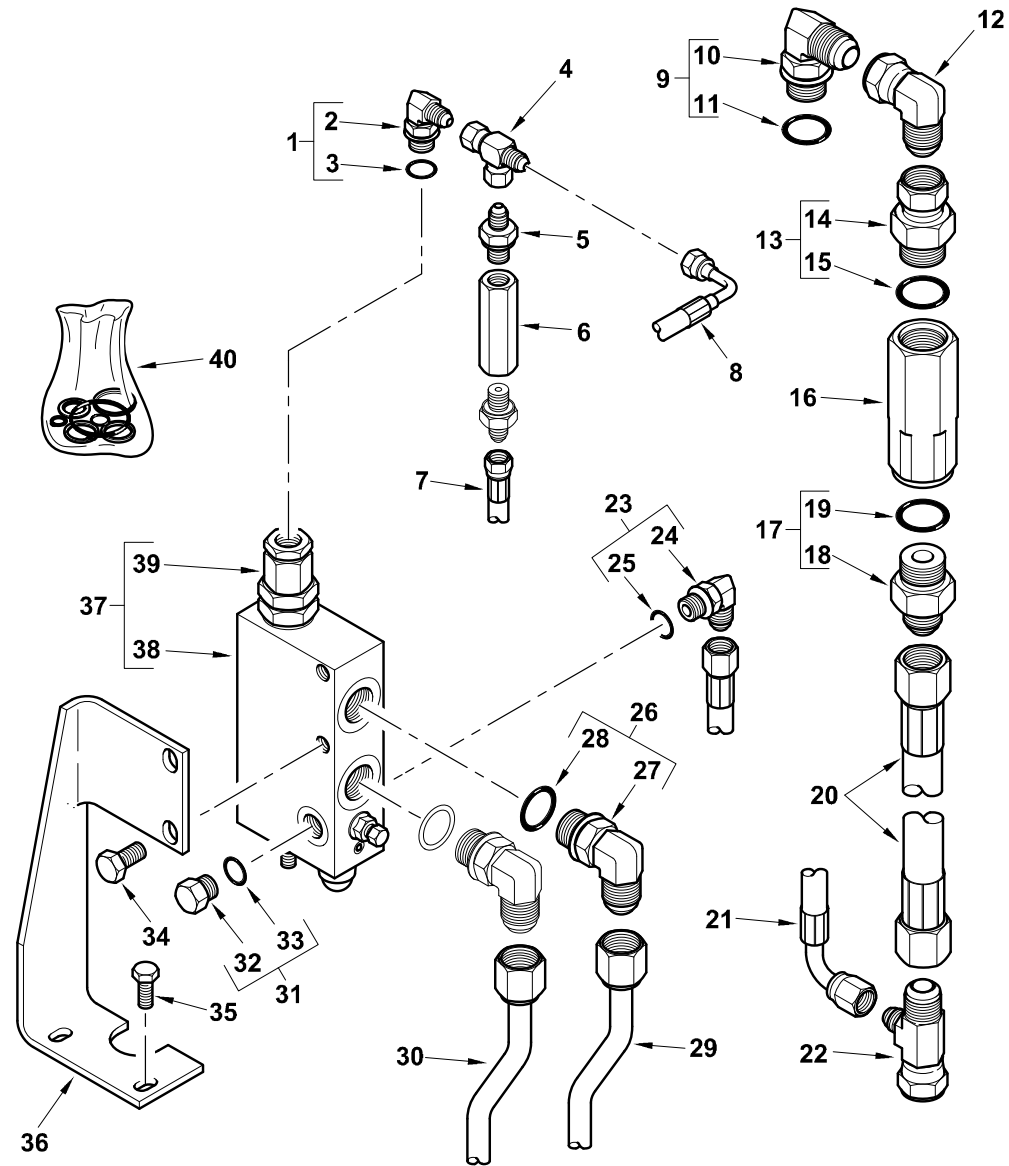


C-98120-01.1-A



Item	Part No.	Qty.	English	French	German	Spanish	Remarks
1	358760X91	1	Elbow 90#7/16-7/16 Unf	Coude, 90	Kniestück, 90°	Codo, 90°	
2	#ELBOW	1	Elbow	Elbow	Elbow	Elbow	Ref. 1
3	831495M1	1	O-Ring	Joint Torique	O-Ring	Junta De Tipo O	
4	6110514M91	1	Union - Swivel Run Tee	Raccord En T	T-Stück	Te	
5	6106088M91	2	Connector, Hydraulic	Borne	Doppelnippel	Conector	
6	6110513M91	1	Check Valve	Clapet Anti-Retour	Ventil, Rückschlag-	Válvula De Parada	
7	6110512M91	1	Hose Assy	Flexible Ass.	Schlauch Kplt	Flexible, Conj.	98120c03.1 1
8	6110512M91	1	Hose Assy	Flexible Ass.	Schlauch Kplt	Flexible, Conj.	
9	835007M91	1	Elbow 90 Degree Adjust	Coude 90°	Kniestück 90°	Codo, 90°	
10	#ELBOW	1	Elbow	Elbow	Elbow	Elbow	Ref. 9
11	835024M1	1	Ring O - Boa	Joint Torique	O Ring	Junta De Tipo O	
12	367386X1	1	Elbow Swiv. 7/8"	Coude	Winkelstuck	Codo, 90°	
13	6109944M91	1	Connector Swivel 1-1/16jicm X 7/8jicf	Ensemble Connexion	Stecker Kpl.	Conexión, Conj.	
14	#CONNECTOR	1	Connector	Connector	Connector	Connector	Ref. 13
15	835025M1	1	Ring O	Joint Torique	O Ring	Junta De Tipo O	
16	6109877M91	1	Check Valve	Clapet Anti-Retour	Ventil, Rückschlag-	Válvula De Parada	
17	365715X91	1	Connector, Hydr.-Straight, 1 1/16 X 7/8	Borne	Doppelnippel	Conexión, Conj.	
18	#CONNECTOR	1	Connector	Connector	Connector	Connector	Ref. 17
19	835025M1	1	Ring O	Joint Torique	O Ring	Junta De Tipo O	
20	6110437M91	1	Hose Assy - Boom Cylinder Head	Flexible Ass.	Schlauch Kplt	Flexible, Conj.	
21	6109247M91	1	Hose Assy - Orb To S-Cyl LH	Flexible Ass.	Schlauch Kplt	Flexible, Conj.	
22	6102014M91	1	Tee-Hose Burst	Raccord	T Stuck	Te	
23	357197X91	1	Elbow & O Ring	Coude	Kniestück, 90°	Codo, 90°	
24	#ELBOW	1	Elbow	Elbow	Elbow	Elbow	Ref. 23
25	831452M1	1	O Ring (Pack Of 10)	Joint Torique	O Ring	Junta De Tipo O	
26	835007M91	2	Elbow 90 Degree Adjust	Coude 90°	Kniestück 90°	Codo, 90°	
27	#ELBOW	1	Elbow	Elbow	Elbow	Elbow	Ref. 26
28	835024M1	1	Ring O - Boa	Joint Torique	O Ring	Junta De Tipo O	
29	6101966M91	1	Hose-Boom Cyl Hose Hose	Flexible Ass.	Schlauch Kplt	Flexible, Conj.	
30	#TUBE	1	Tube	Tube	Tube	Tube	Boom Cylinder

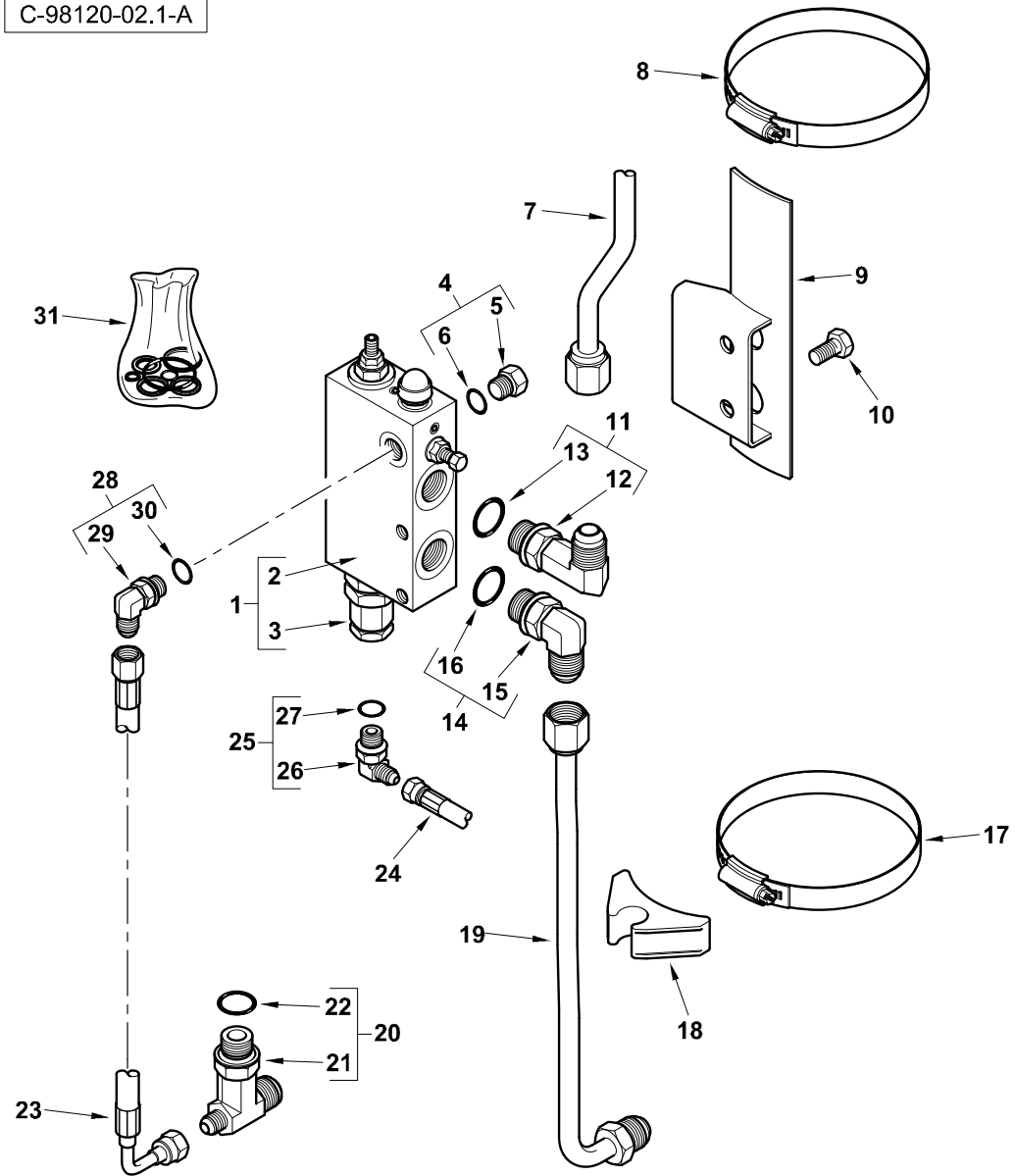
C-98120-01.1-A



Item	Part No.	Qty.	English	French	German	Spanish	Remarks
31	835087M91	1	Plug 9/16"	Bouchon	Stopfen	Tapón, Conj.	
32	#PLUG	1	Plug	Plug	Plug	Plug	Ref. 31
33	831452M1	1	O Ring (Pack Of 10)	Joint Torique	O Ring	Junta De Tipo O	
34	3009491X1	2	Bolt M10 X 20	Boulon	Maschschraube M10	Tornillo	
35	339123X1	2	Bolt M8-20 Z5f	Boulon M8 X 20	Maschschraube M8	Perno	
36	6101960M1	1	Bracket-Boom Cyl Valve	Support	Haltevorrichtung	Pata De Fijación	
37	6109649M91	1	Valve - Hose Burst Boom	Soupape Verrouillage	Sperrventil	Válvula De Bloqueo.	
38	#VALVE	1	Valve	Soupape	Ventil	Válvula	Ref. 37
39	6194035M91	1	Vs5 Pilot Bypass Relief Cartridge	Cartouche	Patrone	Cartucho, Conj.	
40	6194034M91	1	Seal Kit	Jeu Étanchéité	Dichtringsatz	Juego De Juntas	



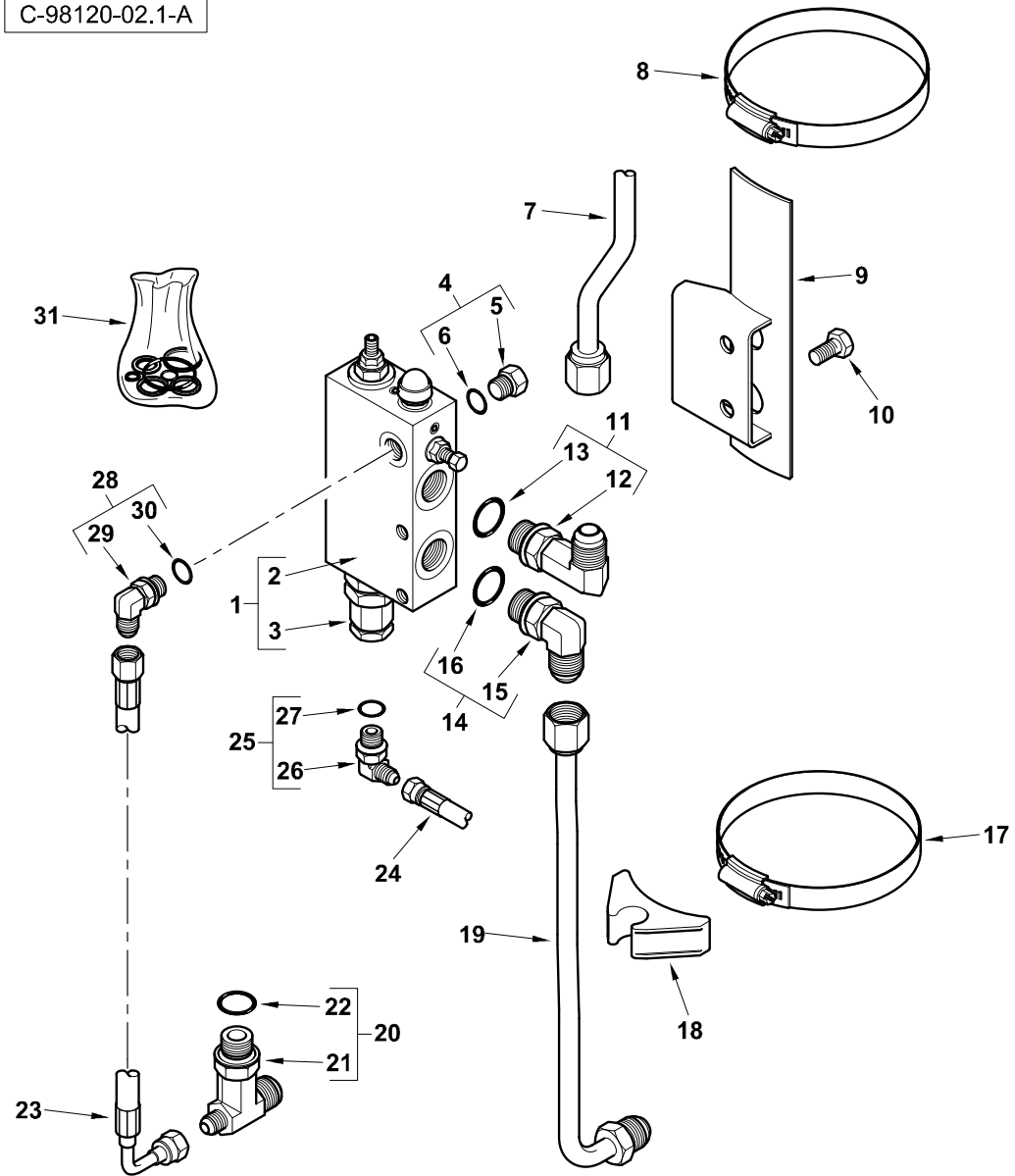
C-98120-02.1-A



Item	Part No.	Qty.	English	French	German	Spanish	Remarks
1	6109882M91	1	Valve - Hose Burst Dipper	Soupape Verrouillage	Sperrventil	Válvula De Bloqueo.	
2	#VALVE	1	Valve	Soupape	Ventil	Válvula	Ref. 1
3	6194035M91	1	Vs5 Pilot Bypass Relief Cartridge	Cartouche	Patrone	Cartucho, Conj.	
4	835087M91	1	Plug 9/16"	Bouchon	Stopfen	Tapón, Conj.	
5	#PLUG	1	Plug	Plug	Plug	Plug	Ref. 4
6	831452M1	1	O Ring (Pack Of 10)	Joint Torique	O Ring	Junta De Tipo O	
7	6110006M91	1	Tube Assy - Dipper Hose Burst	Tuyauterie	Rohrleitung Kplt	Conjunto De Tubería	
8	3517731M1	2	Clamp-Hose	Bride Pour Tutaux	Schlauchschelle	Argolla De Fijación	
9	6110008M91	1	Bracket Assy - Hose Burst Dipper	Patte Fixation	Halter	Cuchara, Conj.	
10	3009491X1	2	Bolt M10 X 20	Boulon	Maschschraube M10	Tornillo	
11	6101624M91	1	Elbow 90deg-Long	Coude À 90°	Winkelstuck	Codo, 90°	
12	#ELBOW	1	Elbow	Elbow	Elbow	Elbow	Ref. 11
13	835024M1	1	Ring O - Boa	Joint Torique	O Ring	Junta De Tipo O	
14	835007M91	1	Elbow 90 Degree Adjust	Coude 90°	Kniestück 90°	Codo, 90°	
15	#ELBOW	1	Elbow	Elbow	Elbow	Elbow	Ref. 14
16	835024M1	1	Ring O - Boa	Joint Torique	O Ring	Junta De Tipo O	
17	3517732M1	1	Clip, Hose	Collier Durit	Schlauchschelle	Argolla De Fijación	
18	D142787	1	Saddle (See 142787d)	Selle	Sattel	Bloque De Caucho	
19	6110004M91	1	Tube Assy - Dipper Cyl (Hose Burst)	Tuyauterie	Rohrleitung Kplt	Conjunto De Tubería	
20	6101954M91	1	Tee-Long	Raccord	Verschraubung	Te	
21	#TEE	1	Tee	Tee	Tee	Tee	Ref. 20
22	835024M1	1	Ring O - Boa	Joint Torique	O Ring	Junta De Tipo O	
23	6101955M91	1	Hose-Hose Burst Pilot Press.	Flexible Ass.	Schlauch Kplt	Flexible, Conj.	
24	6110512M91	1	Hose Assy	Flexible Ass.	Schlauch Kplt	Flexible, Conj.	
25	358760X91	1	Elbow 90#7/16-7/16 Unf	Coude, 90	Kniestück, 90°	Codo, 90°	
26	#ELBOW	1	Elbow	Elbow	Elbow	Elbow	Ref. 25
27	831495M1	1	O-Ring	Joint Torique	O-Ring	Junta De Tipo O	
28	357197X91	1	Elbow & O Ring	Coude	Kniestück, 90°	Codo, 90°	
29	#ELBOW	1	Elbow	Elbow	Elbow	Elbow	Ref. 28
30	831452M1	1	O Ring (Pack Of 10)	Joint Torique	O Ring	Junta De Tipo O	

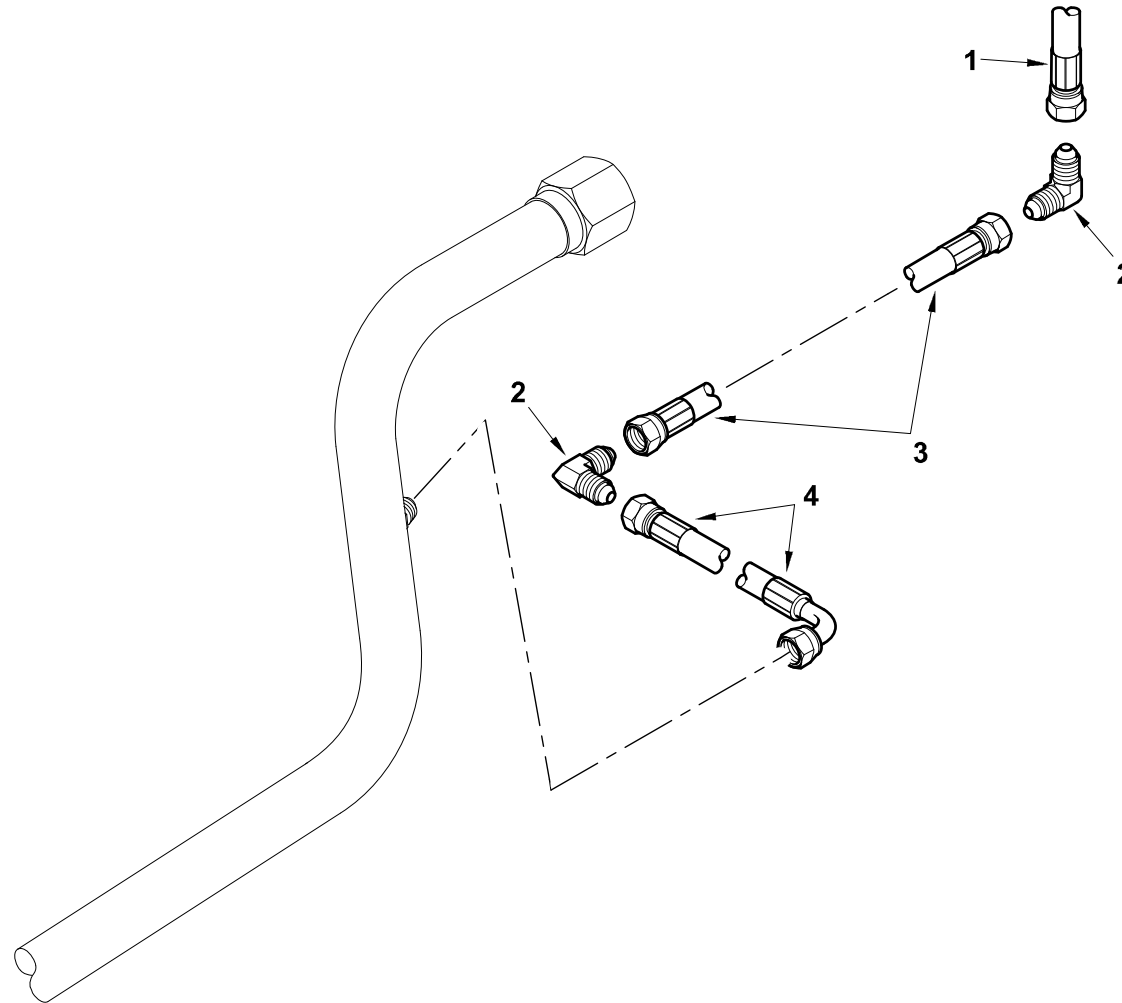


C-98120-02.1-A



Item	Part No.	Qty.	English	French	German	Spanish	Remarks
31	6194036M91	1	Seal Kit	Jeu Etancheite	Dichtringsatz	Juego De Juntas	

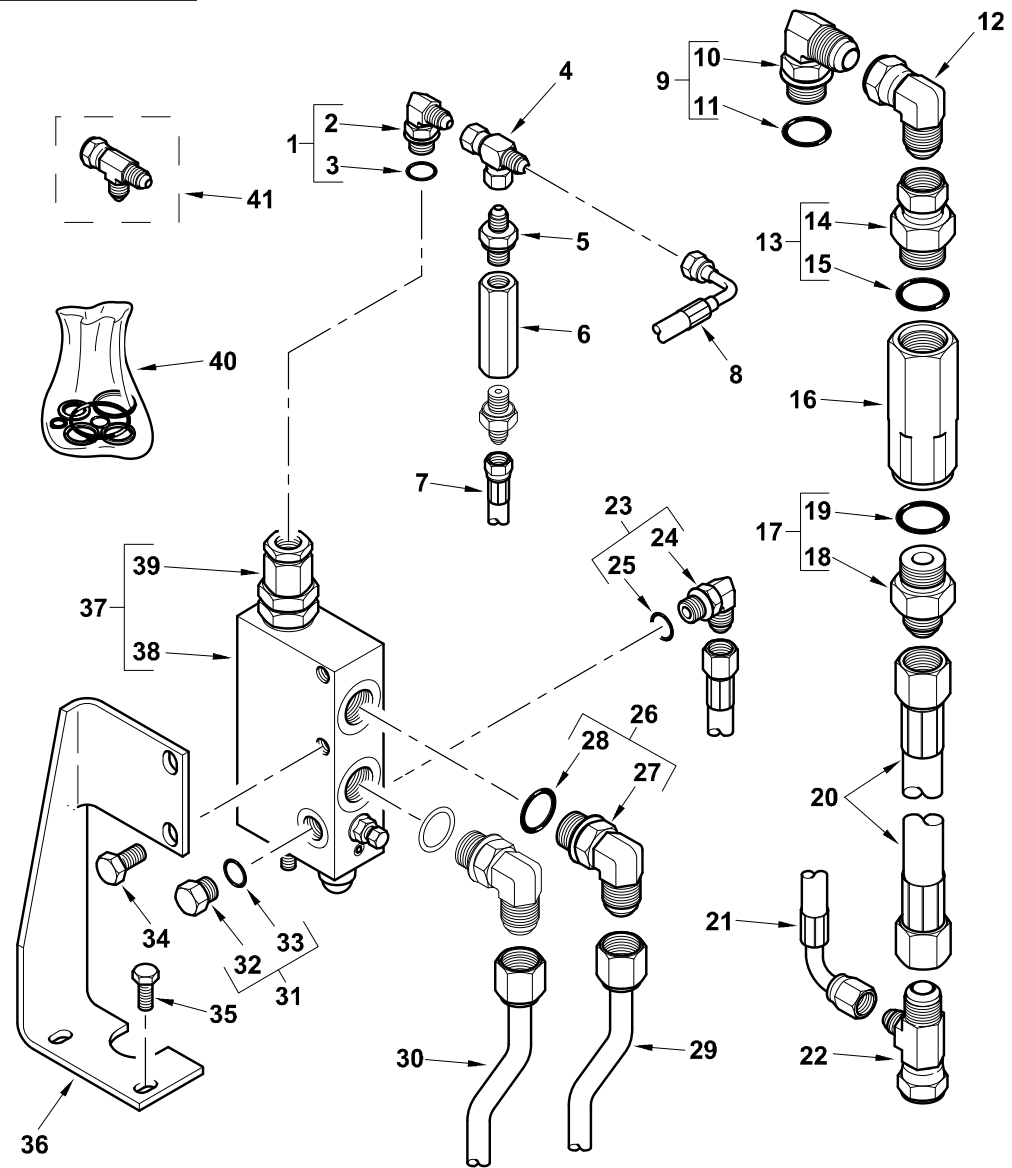
C-98120-03.1-A



Item	Part No.	Qty.	English	French	German	Spanish	Remarks
1	6110512M91	1	Hose Assy	Flexible Ass.	Schlauch Kplt	Flexible, Conj.	98120c01.1 7
2	356373X1	2	Elbow - Hammer Hydraulics	Coude À 90°	Kniestück, 90°	Codo, 90°	
3	6102806M91	1	Hose-Quick Attach	Flexible Ass.	Schlauch Kpl	Flexible, Conj.	
4	3519226M91	1	Hose Assy	Flexible Ass.	Schlauch Kpl	Flexible, Conj.	



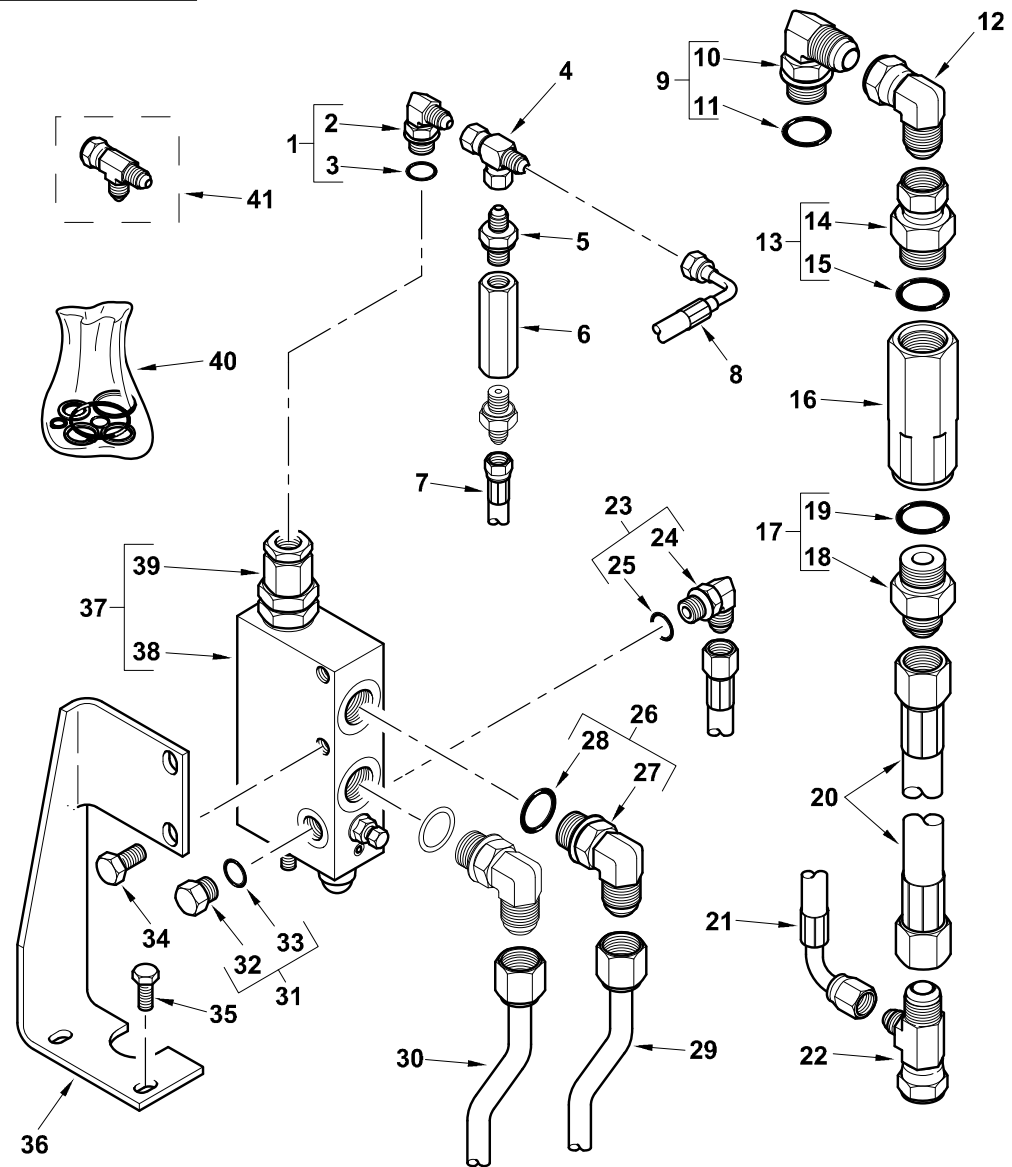
C-98040-01.1-B



Item	Part No.	Qty.	English	French	German	Spanish	Remarks
1	358760X91	1	Elbow 90#7/16-7/16 Unf	Coude, 90	Kniestück, 90°	Codo, 90°	
2	#ELBOW	1	Elbow	Elbow	Elbow	Elbow	Ref. 1
3	831495M1	1	O-Ring	Joint Torique	O-Ring	Junta De Tipo O	
4	6110514M91	1	Union - Swivel Run Tee	Raccord En T	T-Stück	Te	
5	6106088M91	2	Connector, Hydraulic	Borne	Doppelnippel	Conector	
6	6110513M91	1	Check Valve	Clapet Anti-Retour	Ventil, Rückschlag-	Válvula De Parada	
7	6110512M91	1	Hose Assy	Flexible Ass.	Schlauch Kplt	Flexible, Conj.	
8	6110512M91	1	Hose Assy	Flexible Ass.	Schlauch Kplt	Flexible, Conj.	
9	835007M91	1	Elbow 90 Degree Adjust	Coude 90°	Kniestück 90°	Codo, 90°	
10	#ELBOW	1	Elbow	Elbow	Elbow	Elbow	Ref. 9
11	835024M1	1	Ring O - Boa	Joint Torique	O Ring	Junta De Tipo O	
12	367386X1	1	Elbow Swiv. 7/8"	Coude	Winkelstuck	Codo, 90°	
13	6109944M91	1	Connector Swivel 1-1/16jicm X 7/8jicf	Ensemble Connexion	Stecker Kpl.	Conexión, Conj.	
14	#CONNECTOR	1	Connector	Connector	Connector	Connector	Ref. 13
15	835025M1	1	Ring O	Joint Torique	O Ring	Junta De Tipo O	
16	6109877M91	1	Check Valve	Clapet Anti-Retour	Ventil, Rückschlag-	Válvula De Parada	
17	365715X91	1	Connector, Hydr.-Straight, 1 1/16 X 7/8	Borne	Doppelnippel	Conexión, Conj.	
18	#CONNECTOR	1	Connector	Connector	Connector	Connector	Ref. 17
19	835025M1	1	Ring O	Joint Torique	O Ring	Junta De Tipo O	
20	6110437M91	1	Hose Assy - Boom Cylinder Head	Flexible Ass.	Schlauch Kplt	Flexible, Conj.	
21	6109247M91	1	Hose Assy - Orb To S-Cyl LH	Flexible Ass.	Schlauch Kplt	Flexible, Conj.	
22	6102014M91	1	Tee-Hose Burst	Raccord	T Stuck	Te	
23	357197X91	1	Elbow & O Ring	Coude	Kniestück, 90°	Codo, 90°	
24	#ELBOW	1	Elbow	Elbow	Elbow	Elbow	Ref. 23
25	831452M1	1	O Ring (Pack Of 10)	Joint Torique	O Ring	Junta De Tipo O	
26	835007M91	2	Elbow 90 Degree Adjust	Coude 90°	Kniestück 90°	Codo, 90°	
27	#ELBOW	1	Elbow	Elbow	Elbow	Elbow	Ref. 26
28	835024M1	1	Ring O - Boa	Joint Torique	O Ring	Junta De Tipo O	
29	6101966M91	1	Hose-Boom Cyl Hose Hose	Flexible Ass.	Schlauch Kplt	Flexible, Conj.	
30	6102472M91	1	Tube-4.9 Boom Cyl Hose Burst	Tuyo	Leitung, Kpl.	Conjunto De Tubería	

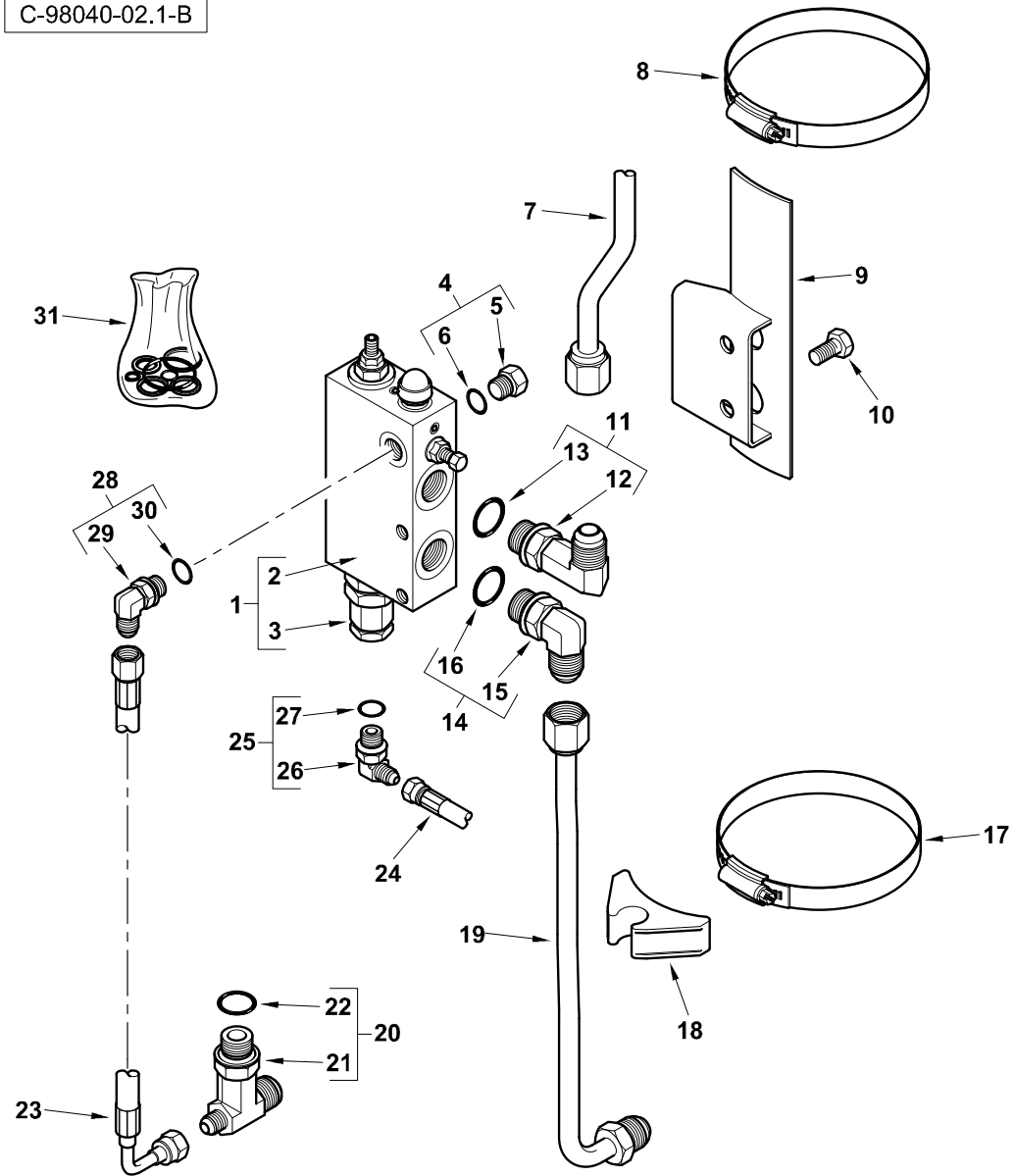


C-98040-01.1-B



Item	Part No.	Qty.	English	French	German	Spanish	Remarks
31	835087M91	1	Plug 9/16"	Bouchon	Stopfen	Tapón, Conj.	
32	#PLUG	1	Plug	Plug	Plug	Plug	Ref. 31
33	831452M1	1	O Ring (Pack Of 10)	Joint Torique	O Ring	Junta De Tipo O	
34	3009491X1	2	Bolt M10 X 20	Boulon	Maschschraube M10	Tornillo	
35	339123X1	2	Bolt M8-20 Z5f	Boulon M8 X 20	Maschschraube M8	Perno	
36	6101960M1	1	Bracket-Boom Cyl Valve	Support	Haltevorrichtung	Pata De Fijación	
37	6109649M91	1	Valve - Hose Burst Boom	Soupape Verrouillage	Sperrventil	Válvula De Bloqueo.	
38	#VALVE	1	Valve	Soupape	Ventil	Válvula	Ref. 37
39	6194035M91	1	Vs5 Pilot Bypass Relief Cartridge	Cartouche	Patrone	Cartucho, Conj.	
40	6194034M91	1	Seal Kit	Jeu Étanchéité	Dichtringsatz	Juego De Juntas	
41	371725X1	1	Tee 7/16	Te	T-Stück	Te	

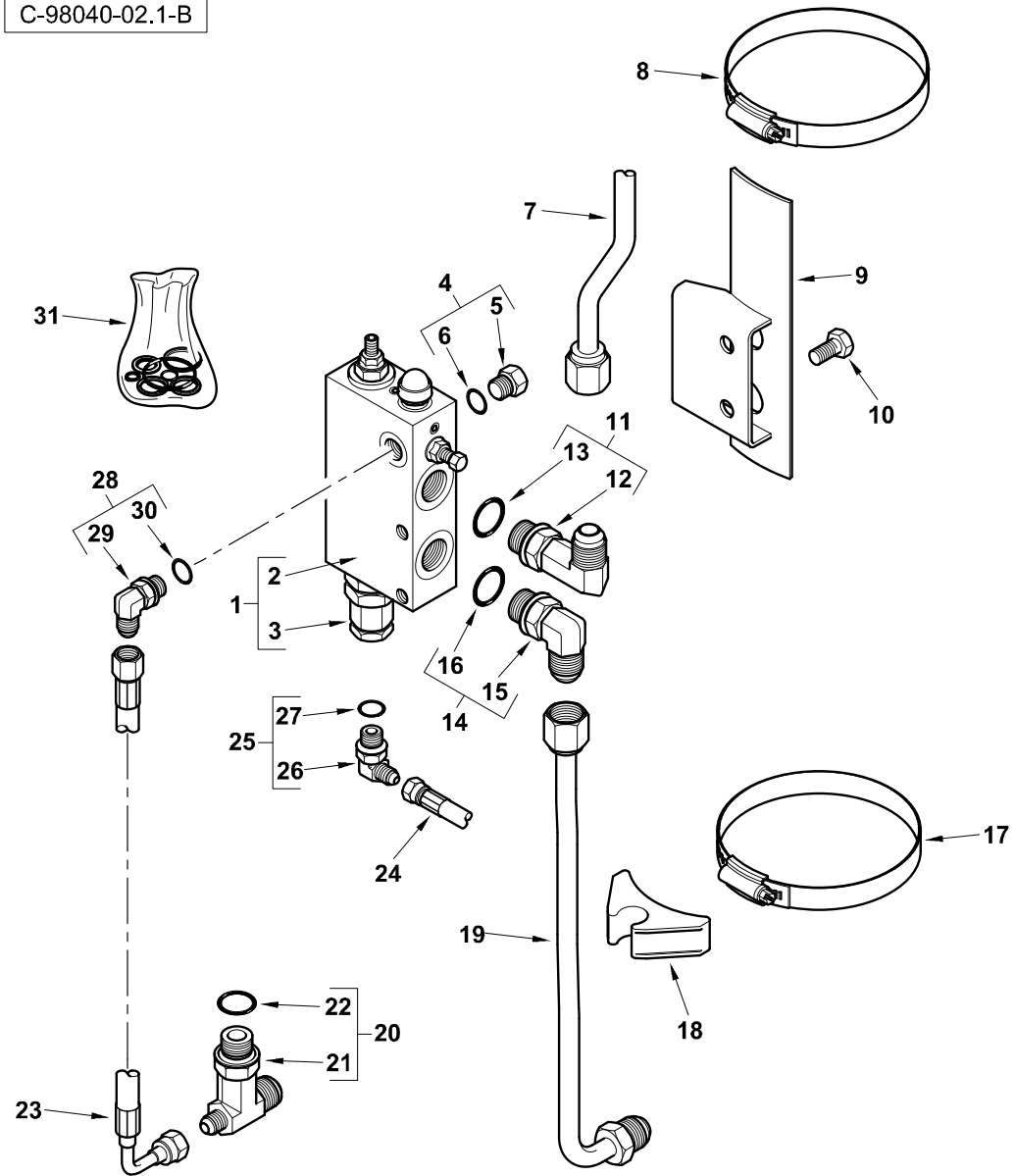
C-98040-02.1-B



Item	Part No.	Qty.	English	French	German	Spanish	Remarks
1	6109882M91	1	Valve - Hose Burst Dipper	Soupape Verrouillage	Sperrventil	Válvula De Bloqueo.	
2	#VALVE	1	Valve	Soupape	Ventil	Válvula	Ref. 1
3	6194035M91	1	Vs5 Pilot Bypass Relief Cartridge	Cartouche	Patrone	Cartucho, Conj.	
4	835087M91	1	Plug 9/16"	Bouchon	Stopfen	Tapón, Conj.	
5	#PLUG	1	Plug	Plug	Plug	Plug	Ref. 4
6	831452M1	1	O Ring (Pack Of 10)	Joint Torique	O Ring	Junta De Tipo O	
7	6110006M91	1	Tube Assy - Dipper Hose Burst	Tuyauterie	Rohrleitung Kplt	Conjunto De Tubería	
8	3517731M1	2	Clamp-Hose	Bride Pour Tutaux	Schlauchschelle	Argolla De Fijación	
9	6110008M91	1	Bracket Assy - Hose Burst Dipper	Patte Fixation	Halter	Cuchara, Conj.	
10	3009491X1	2	Bolt M10 X 20	Boulon	Maschschraube M10	Tornillo	
11	6101624M91	1	Elbow 90deg-Long	Coude À 90°	Winkelstuck	Codo, 90°	
12	#ELBOW	1	Elbow	Elbow	Elbow	Elbow	Ref. 11
13	835024M1	1	Ring O - Boa	Joint Torique	O Ring	Junta De Tipo O	
14	835007M91	1	Elbow 90 Degree Adjust	Coude 90°	Kniestück 90°	Codo, 90°	
15	#ELBOW	1	Elbow	Elbow	Elbow	Elbow	Ref. 14
16	835024M1	1	Ring O - Boa	Joint Torique	O Ring	Junta De Tipo O	
17	3517732M1	1	Clip, Hose	Collier Durit	Schlauchschelle	Argolla De Fijación	
18	D142787	1	Saddle (See 142787d)	Selle	Sattel	Bloque De Caucho	
19	6110004M91	1	Tube Assy - Dipper Cyl (Hose Burst)	Tuyauterie	Rohrleitung Kplt	Conjunto De Tubería	
20	6101954M91	1	Tee-Long	Raccord	Verschraubung	Te	
21	#TEE	1	Tee	Tee	Tee	Tee	Ref. 20
22	835024M1	1	Ring O - Boa	Joint Torique	O Ring	Junta De Tipo O	
23	6101955M91	1	Hose-Hose Burst Pilot Press.	Flexible Ass.	Schlauch Kplt	Flexible, Conj.	
24	6110512M91	1	Hose Assy	Flexible Ass.	Schlauch Kplt	Flexible, Conj.	
25	358760X91	1	Elbow 90#7/16-7/16 Unf	Coude, 90	Kniestück, 90°	Codo, 90°	
26	#ELBOW	1	Elbow	Elbow	Elbow	Elbow	Ref. 25
27	831495M1	1	O-Ring	Joint Torique	O-Ring	Junta De Tipo O	
28	357197X91	1	Elbow & O Ring	Coude	Kniestück, 90°	Codo, 90°	
29	#ELBOW	1	Elbow	Elbow	Elbow	Elbow	Ref. 28
30	831452M1	1	O Ring (Pack Of 10)	Joint Torique	O Ring	Junta De Tipo O	



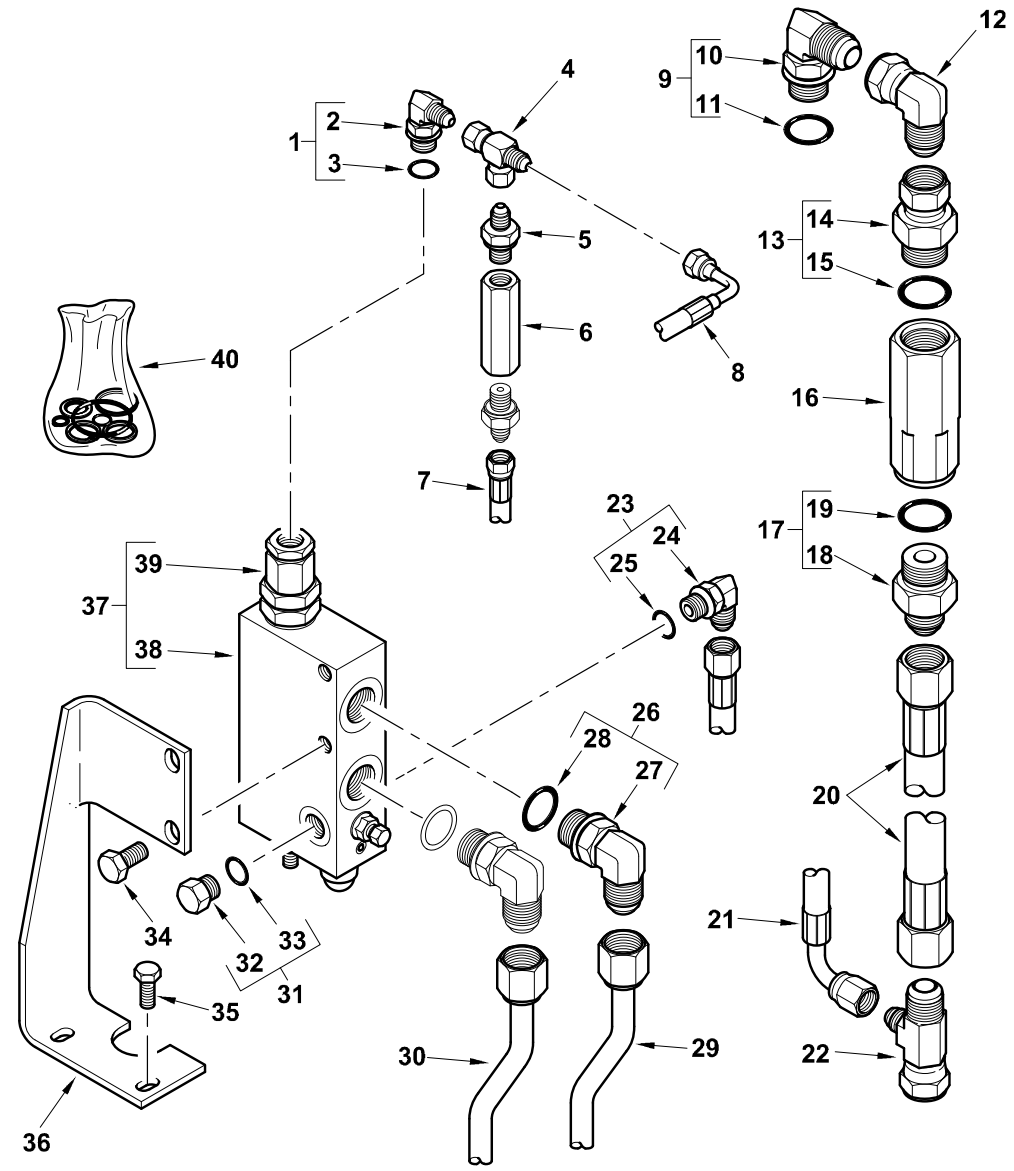
C-98040-02.1-B



Item	Part No.	Qty.	English	French	German	Spanish	Remarks
31	6194036M91	1	Seal Kit	Jeu Etancheite	Dichtringsatz	Juego De Juntas	



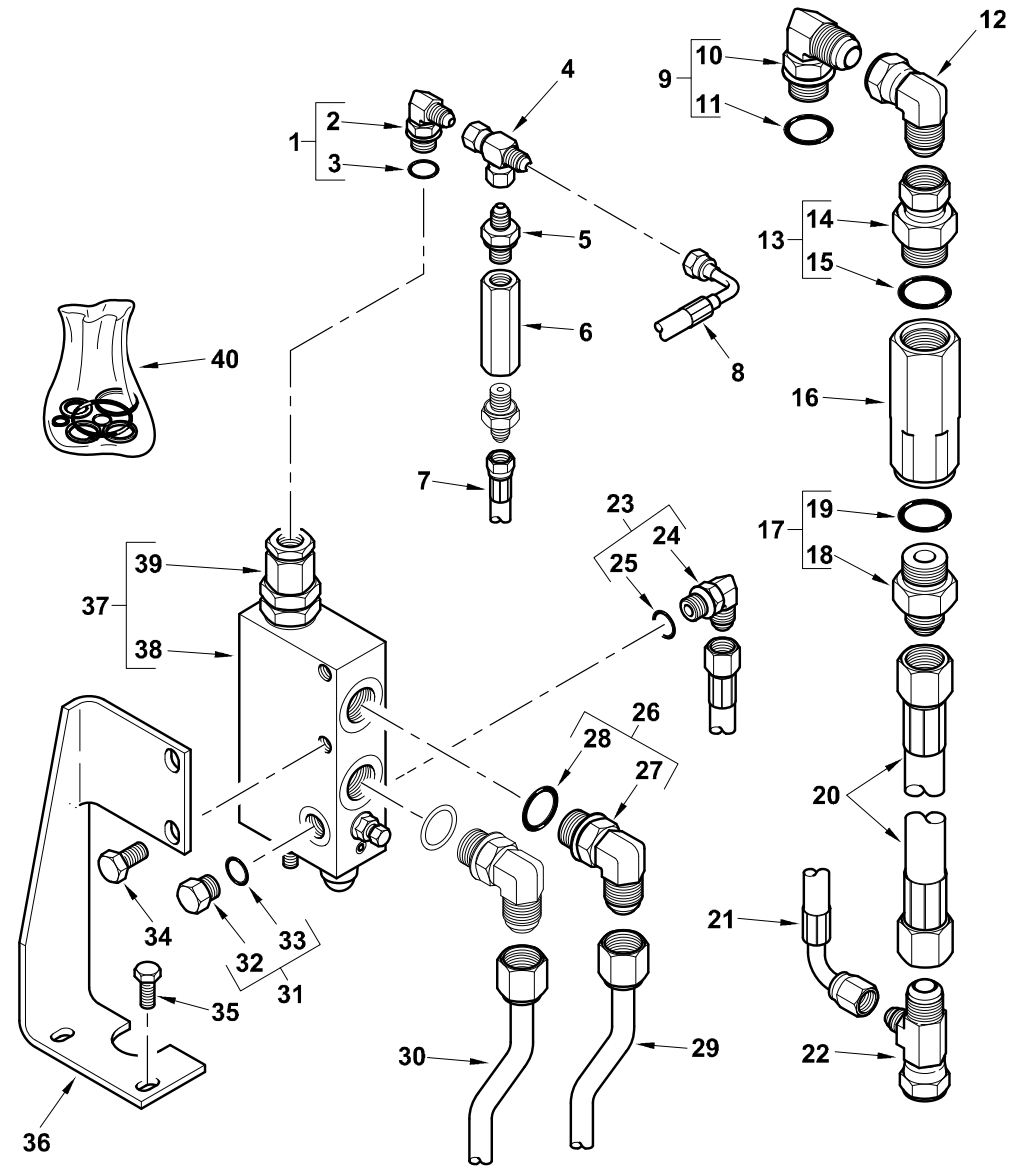
C-98121-01.1-A



Item	Part No.	Qty.	English	French	German	Spanish	Remarks
1	358760X91	1	Elbow 90#7/16-7/16 Unf	Coude, 90	Kniestück, 90°	Codo, 90°	
2	#ELBOW	1	Elbow	Elbow	Elbow	Elbow	Ref. 1
3	831495M1	1	O-Ring	Joint Torique	O-Ring	Junta De Tipo O	
4	6110514M91	1	Union - Swivel Run Tee	Raccord En T	T-Stück	Te	
5	6106088M91	2	Connector, Hydraulic	Borne	Doppelnippel	Conector	
6	6110513M91	1	Check Valve	Clapet Anti-Retour	Ventil, Rückschlag-	Válvula De Parada	
7	6110512M91	1	Hose Assy	Flexible Ass.	Schlauch Kplt	Flexible, Conj.	98120c03.1 1
8	6110512M91	1	Hose Assy	Flexible Ass.	Schlauch Kplt	Flexible, Conj.	
9	835007M91	1	Elbow 90 Degree Adjust	Coude 90°	Kniestück 90°	Codo, 90°	
10	#ELBOW	1	Elbow	Elbow	Elbow	Elbow	Ref. 9
11	835024M1	1	Ring O - Boa	Joint Torique	O Ring	Junta De Tipo O	
12	367386X1	1	Elbow Swiv. 7/8"	Coude	Winkelstuck	Codo, 90°	
13	6109944M91	1	Connector Swivel 1-1/16jicm X 7/8jicf	Ensemble Connexion	Stecker Kpl.	Conexión, Conj.	
14	#CONNECTOR	1	Connector	Connector	Connector	Connector	Ref. 13
15	835025M1	1	Ring O	Joint Torique	O Ring	Junta De Tipo O	
16	6109877M91	1	Check Valve	Clapet Anti-Retour	Ventil, Rückschlag-	Válvula De Parada	
17	365715X91	1	Connector, Hydr.-Straight, 1 1/16 X 7/8	Borne	Doppelnippel	Conexión, Conj.	
18	#CONNECTOR	1	Connector	Connector	Connector	Connector	Ref. 17
19	835025M1	1	Ring O	Joint Torique	O Ring	Junta De Tipo O	
20	6110437M91	1	Hose Assy - Boom Cylinder Head	Flexible Ass.	Schlauch Kplt	Flexible, Conj.	
21	6109247M91	1	Hose Assy - Orb To S-Cyl LH	Flexible Ass.	Schlauch Kplt	Flexible, Conj.	
22	6102014M91	1	Tee-Hose Burst	Raccord	T Stuck	Te	
23	357197X91	1	Elbow & O Ring	Coude	Kniestück, 90°	Codo, 90°	
24	#ELBOW	1	Elbow	Elbow	Elbow	Elbow	Ref. 23
25	831452M1	1	O Ring (Pack Of 10)	Joint Torique	O Ring	Junta De Tipo O	
26	835007M91	2	Elbow 90 Degree Adjust	Coude 90°	Kniestück 90°	Codo, 90°	
27	#ELBOW	1	Elbow	Elbow	Elbow	Elbow	Ref. 26
28	835024M1	1	Ring O - Boa	Joint Torique	O Ring	Junta De Tipo O	
29	6101966M91	1	Hose-Boom Cyl Hose Hose	Flexible Ass.	Schlauch Kplt	Flexible, Conj.	
30	6102472M91	1	Tube-4.9 Boom Cyl Hose Burst	Tuyo	Leitung, Kpl.	Conjunto De Tubería	

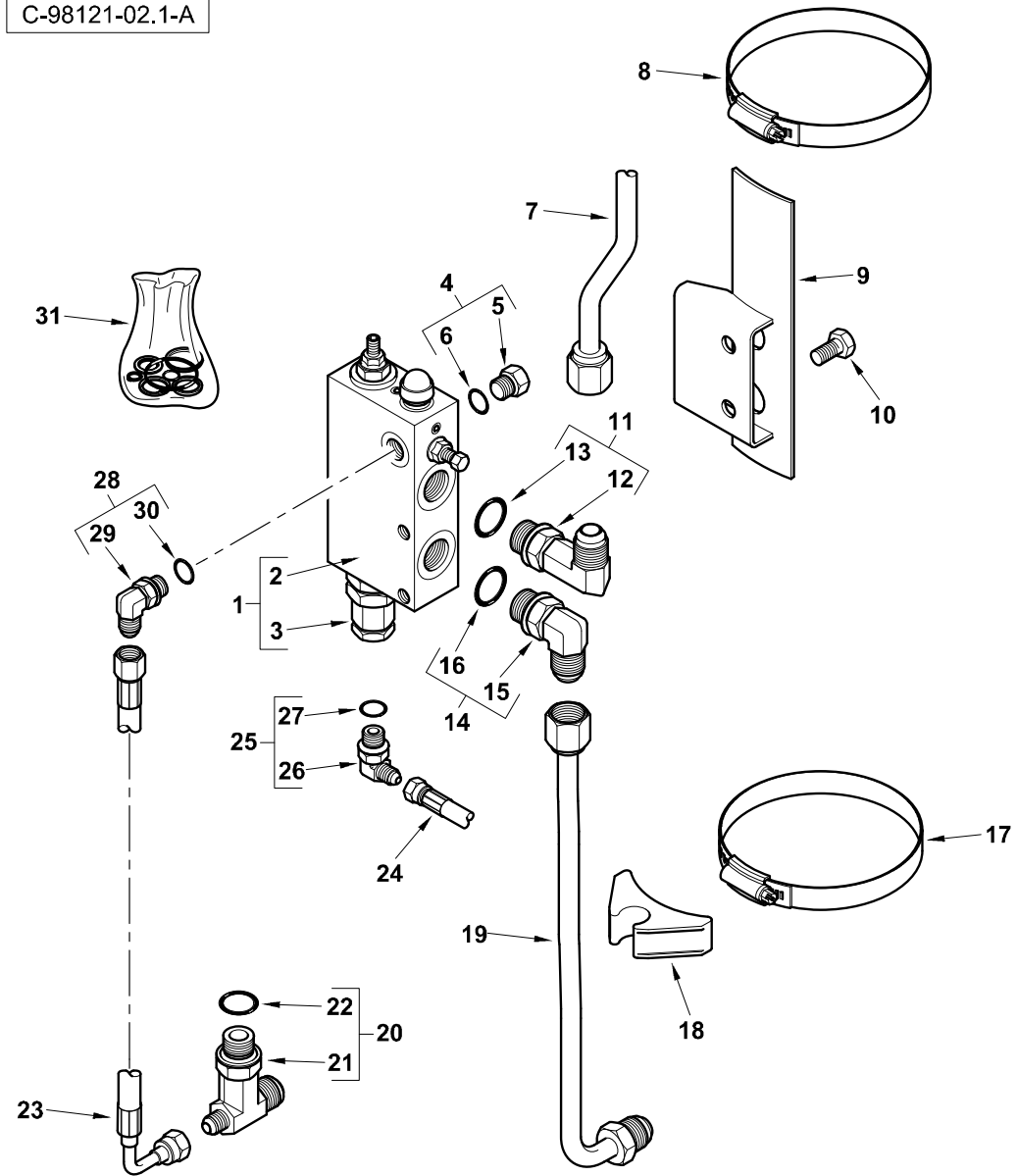


C-98121-01.1-A



Item	Part No.	Qty.	English	French	German	Spanish	Remarks
31	835087M91	1	Plug 9/16"	Bouchon	Stopfen	Tapón, Conj.	
32	#PLUG	1	Plug	Plug	Plug	Plug	Ref. 31
33	831452M1	1	O Ring (Pack Of 10)	Joint Torique	O Ring	Junta De Tipo O	
34	3009491X1	2	Bolt M10 X 20	Boulon	Maschschraube M10	Tornillo	
35	339123X1	2	Bolt M8-20 Z5f	Boulon M8 X 20	Maschschraube M8	Perno	
36	6101960M1	1	Bracket-Boom Cyl Valve	Support	Haltevorrichtung	Pata De Fijación	
37	6109649M91	1	Valve - Hose Burst Boom	Soupape Verrouillage	Sperrventil	Válvula De Bloqueo.	
38	#VALVE	1	Valve	Soupape	Ventil	Válvula	Ref. 37
39	6194035M91	1	Vs5 Pilot Bypass Relief Cartridge	Cartouche	Patrone	Cartucho, Conj.	
40	6194034M91	1	Seal Kit	Jeu Étanchéité	Dichtringsatz	Juego De Juntas	

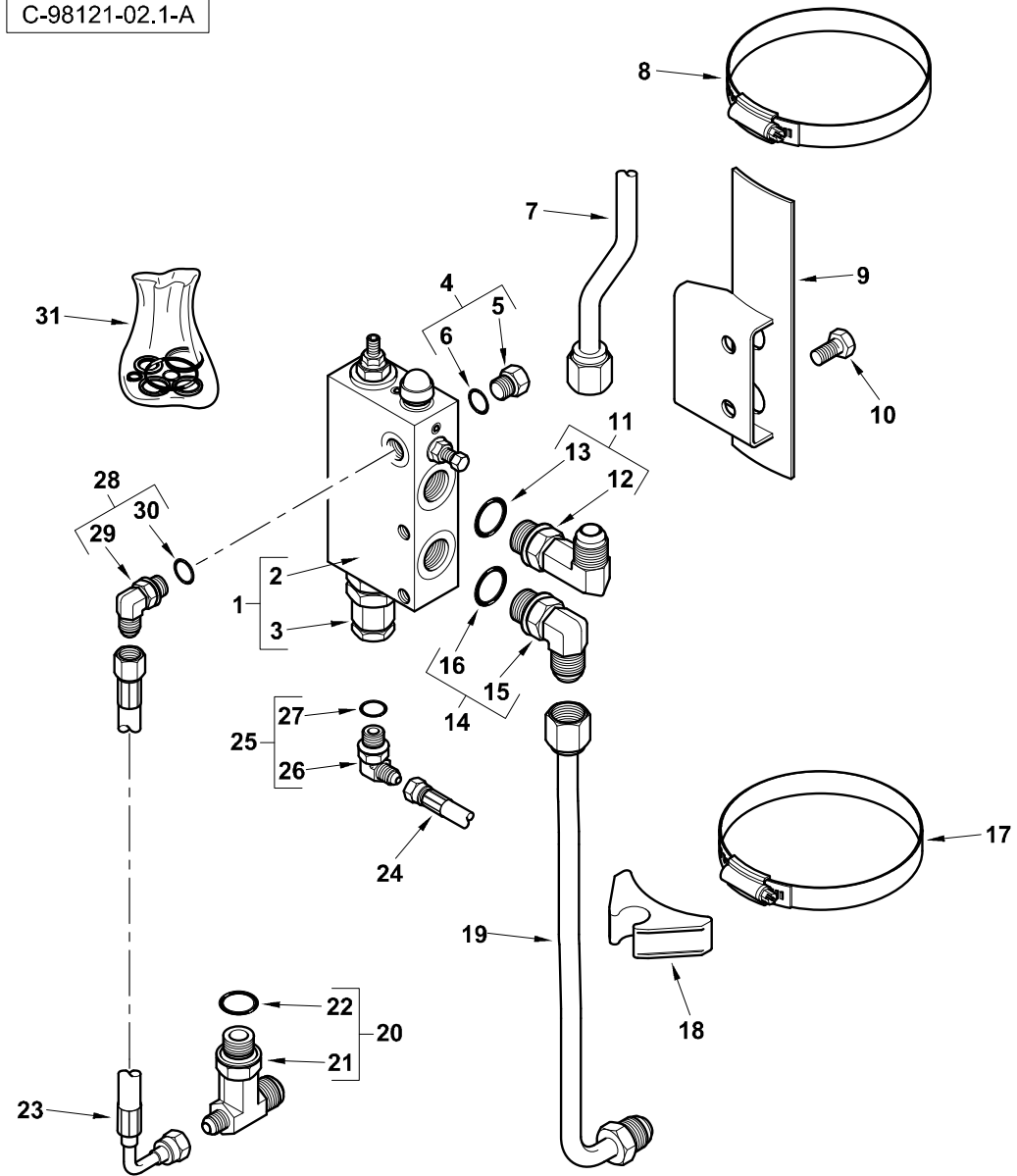
C-98121-02.1-A



Item	Part No.	Qty.	English	French	German	Spanish	Remarks
1	6109882M91	1	Valve - Hose Burst Dipper	Soupape Verrouillage	Sperrventil	Válvula De Bloqueo.	
2	#VALVE	1	Valve	Soupape	Ventil	Válvula	Ref. 1
3	6194035M91	1	Vs5 Pilot Bypass Relief Cartridge	Cartouche	Patrone	Cartucho, Conj.	
4	835087M91	1	Plug 9/16"	Bouchon	Stopfen	Tapón, Conj.	
5	#PLUG	1	Plug	Plug	Plug	Plug	Ref. 4
6	831452M1	1	O Ring (Pack Of 10)	Joint Torique	O Ring	Junta De Tipo O	
7	6110006M91	1	Tube Assy - Dipper Hose Burst	Tuyauterie	Rohrleitung Kplt	Conjunto De Tubería	
8	3517731M1	2	Clamp-Hose	Bride Pour Tutaux	Schlauchschelle	Argolla De Fijación	
9	6110008M91	1	Bracket Assy - Hose Burst Dipper	Patte Fixation	Halter	Cuchara, Conj.	
10	3009491X1	2	Bolt M10 X 20	Boulon	Maschschraube M10	Tornillo	
11	6101624M91	1	Elbow 90deg-Long	Coude À 90°	Winkelstuck	Codo, 90°	
12	#ELBOW	1	Elbow	Elbow	Elbow	Elbow	Ref. 11
13	835024M1	1	Ring O - Boa	Joint Torique	O Ring	Junta De Tipo O	
14	835007M91	1	Elbow 90 Degree Adjust	Coude 90°	Kniestück 90°	Codo, 90°	
15	#ELBOW	1	Elbow	Elbow	Elbow	Elbow	Ref. 14
16	835024M1	1	Ring O - Boa	Joint Torique	O Ring	Junta De Tipo O	
17	3517732M1	1	Clip, Hose	Collier Durit	Schlauchschelle	Argolla De Fijación	
18	D142787	1	Saddle (See 142787d)	Selle	Sattel	Bloque De Caucho	
19	6110004M91	1	Tube Assy - Dipper Cyl (Hose Burst)	Tuyauterie	Rohrleitung Kplt	Conjunto De Tubería	
20	6101954M91	1	Tee-Long	Raccord	Verschraubung	Te	
21	#TEE	1	Tee	Tee	Tee	Tee	Ref. 20
22	835024M1	1	Ring O - Boa	Joint Torique	O Ring	Junta De Tipo O	
23	6101955M91	1	Hose-Hose Burst Pilot Press.	Flexible Ass.	Schlauch Kplt	Flexible, Conj.	
24	6110512M91	1	Hose Assy	Flexible Ass.	Schlauch Kplt	Flexible, Conj.	
25	358760X91	1	Elbow 90#7/16-7/16 Unf	Coude, 90	Kniestück, 90°	Codo, 90°	
26	#ELBOW	1	Elbow	Elbow	Elbow	Elbow	Ref. 25
27	831495M1	1	O-Ring	Joint Torique	O-Ring	Junta De Tipo O	
28	357197X91	1	Elbow & O Ring	Coude	Kniestück, 90°	Codo, 90°	
29	#ELBOW	1	Elbow	Elbow	Elbow	Elbow	Ref. 28
30	831452M1	1	O Ring (Pack Of 10)	Joint Torique	O Ring	Junta De Tipo O	



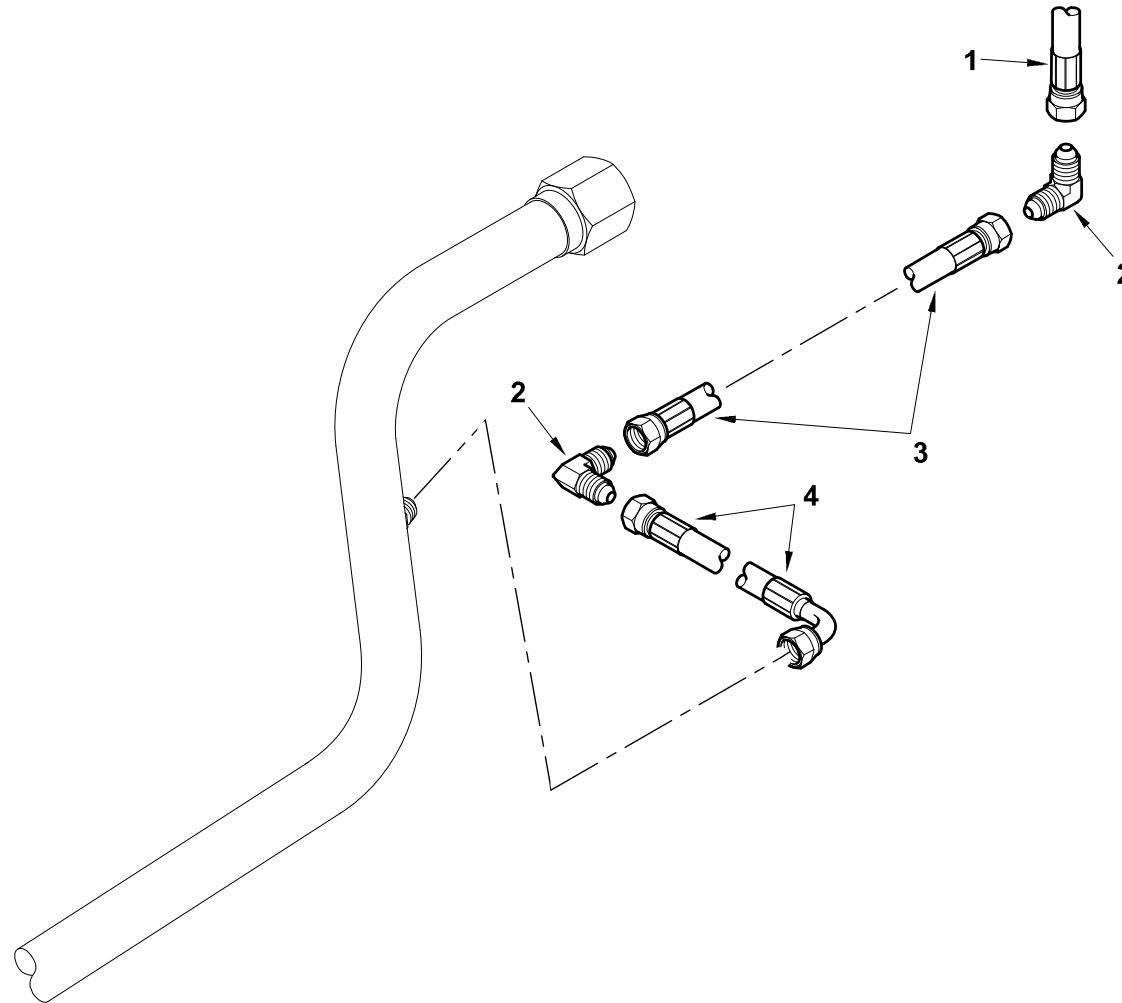
C-98121-02.1-A



Item	Part No.	Qty.	English	French	German	Spanish	Remarks
31	6194036M91	1	Seal Kit	Jeu Etancheite	Dichtringsatz	Juego De Juntas	



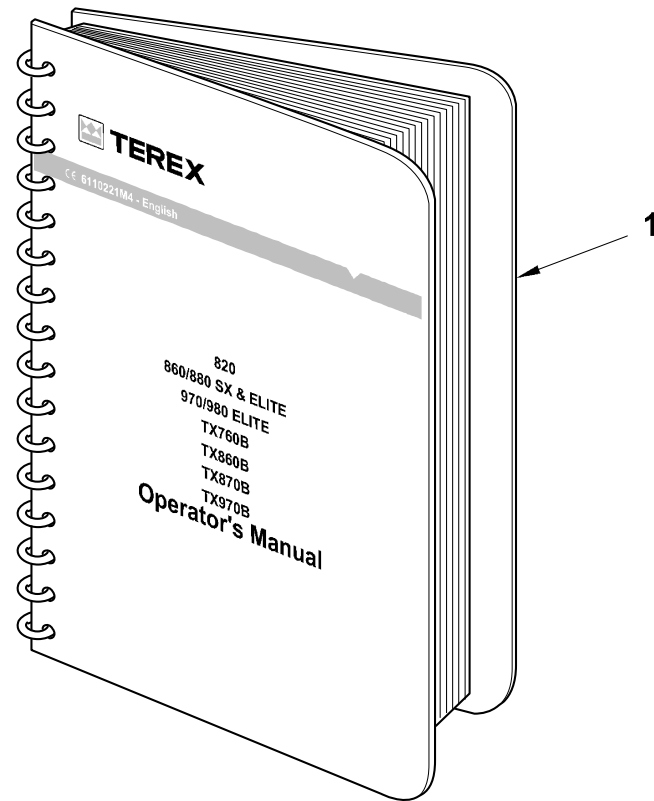
C-98121-03.1-A



Item	Part No.	Qty.	English	French	German	Spanish	Remarks
1	6110512M91	1	Hose Assy	Flexible Ass.	Schlauch Kplt	Flexible, Conj.	98121c01.1 7
2	356373X1	2	Elbow - Hammer Hydraulics	Coude À 90°	Kniestück, 90°	Codo, 90°	
3	6102806M91	1	Hose-Quick Attach	Flexible Ass.	Schlauch Kpl	Flexible, Conj.	
4	3519226M91	1	Hose Assy	Flexible Ass.	Schlauch Kpl	Flexible, Conj.	



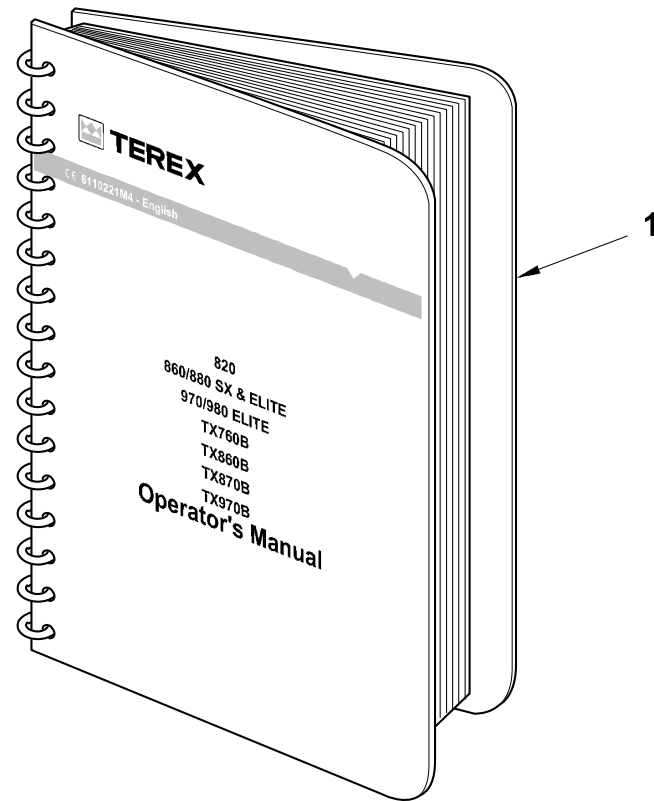
C-98135-01.1-A



Item	Part No.	Qty.	English	French	German	Spanish	Remarks
1	6110221M6	1	Oib - General Markets (English)	Guide Utilisat.	Betriebsanleitung	Libro De Instruccion Del Operador	



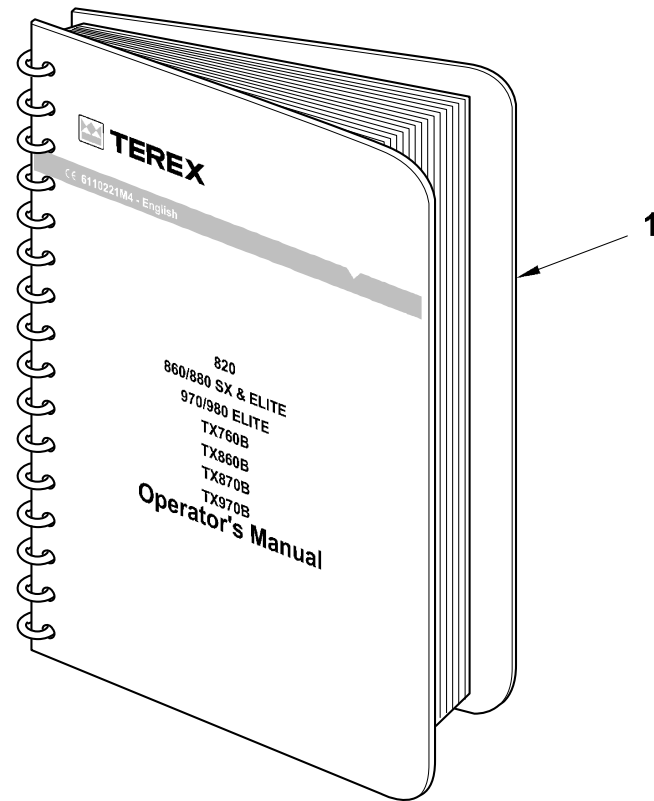
C-98223-01.1-A



Item	Part No.	Qty.	English	French	German	Spanish	Remarks
1	6110225M6	1	Oib - (Spanish)	Guide Utilisat.	Betriebsanleitung	Libro De Instruccion Del Operador	



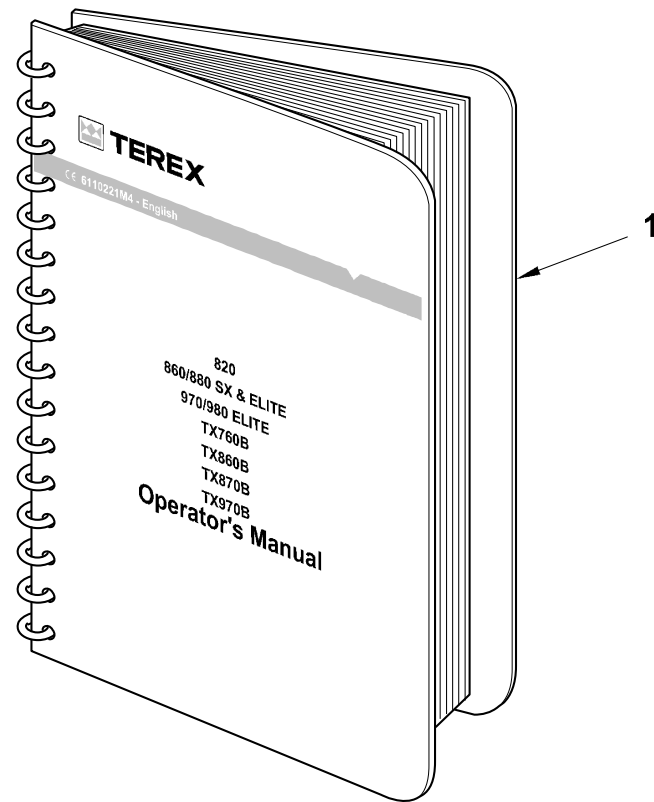
C-98224-01.1-A



Item	Part No.	Qty.	English	French	German	Spanish	Remarks
1	6110222M6	1	Oib - (French)	Guide Utilisat.	Betriebsanleitg	Folleto	



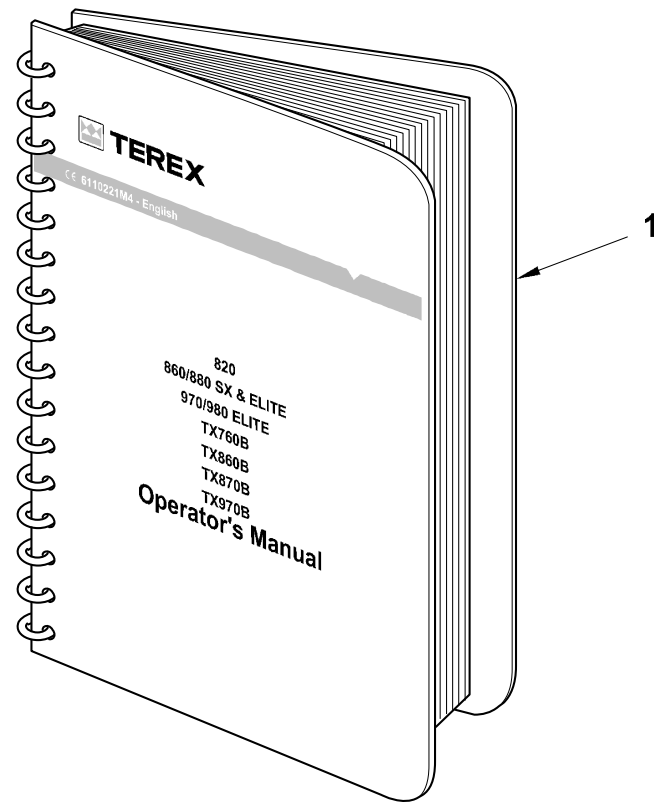
C-98225-01.1-A



Item	Part No.	Qty.	English	French	German	Spanish	Remarks
1	6110223M6	1	Oib - (German)	Guide Utilisat.	Betriebsanleitung	Libro De Instruccion Del Operador	



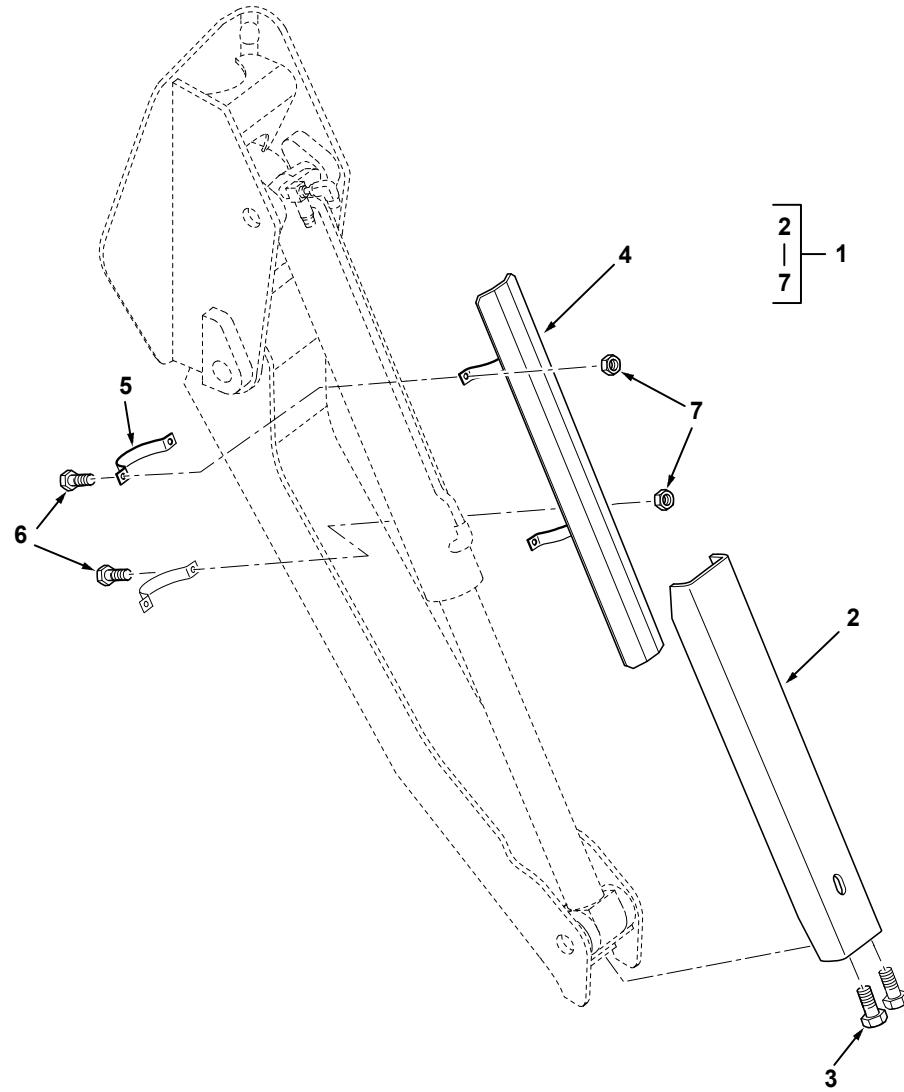
C-98227-01.1-A



Item	Part No.	Qty.	English	French	German	Spanish	Remarks
1	6110227M6	1	Operator Instruction Book (Danish)	Guide Utilisat.	Betriebsanleitung	Libro De Instruccion Del Operador	



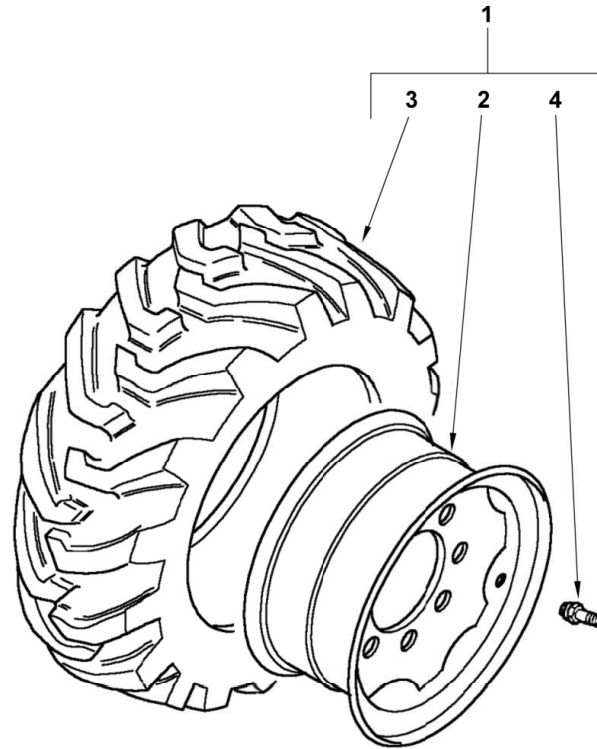
C-98104-01.1-A



Item	Part No.	Qty.	English	French	German	Spanish	Remarks
1	6107964M92	1	Kit - Rockguard C/M Stab	Jeu Rarants	Schutz Klp	Protector, Conj.	
2	6107962M92	2	Rockguard W/A Stab Cyl	Garde	Schutzorr	Defensa	
3	339081X1	4	Screw - Hex HD M10 X 20 ISO 8.8 Zn	Vis	Schraube	Tornillo	
4	6107963M92	2	Guide-Rockguard	Guide	Führung	Guia	
5	6108012M2	4	Clamp-Rockguard	Collier De Serrage	Klemme	Argolla De Cierre	
6	339761X1	8	Bolt M8-25 Z5f	Goupille	Bolzen M8 X 25	Tornillo	
7	394367X1	8	Nut, Hex. - Nyloc, M8	Ecrou Blocage M8	Flachmutter - M8	Tuerca De Retención	



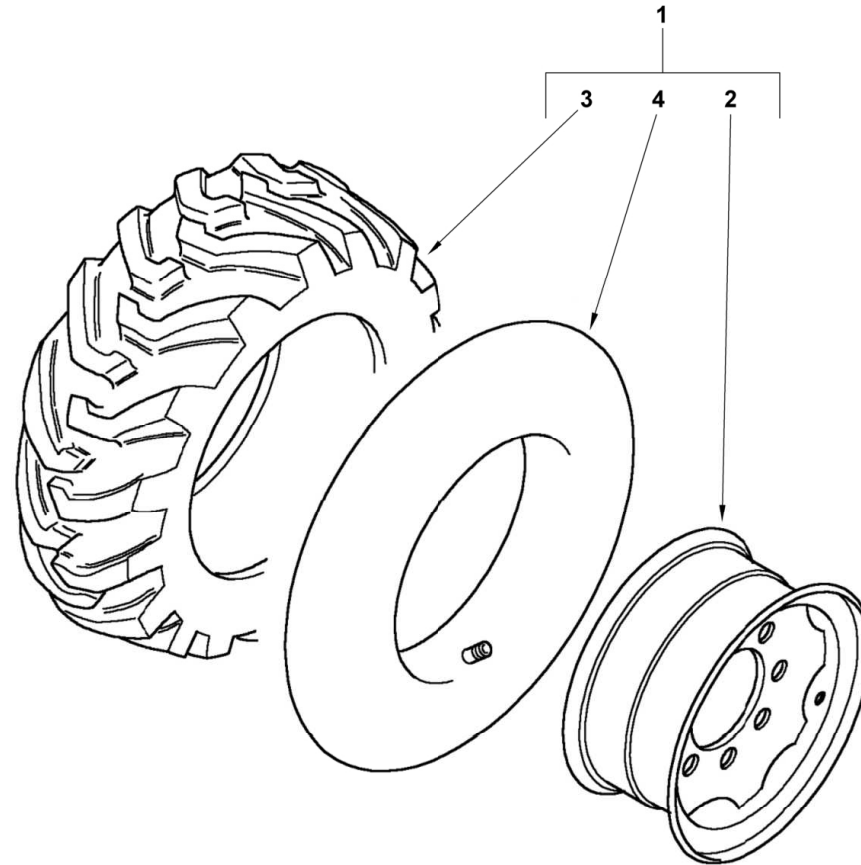
C-98161-01.1-A



Item	Part No.	Qty.	English	French	German	Spanish	Remarks
1	6103250M92Y02	1	Wheel/Tyre Assy Rear LH (Benford Yellow)	Roue Et Pneu	Rad Mit Bereifg	Rueda Y Neumatic	
2	6103191M91	1	Wheel-Dw15l X 30	Roue	Rad	Llanta	
3	6109839M1	1	Tyre 16.9 X 30 10p	Roue Et Pneu	Rad Mit Bereifg	Neumático	
4	842537M1	1	Valve Wheel Boa	Soupape	Ventilspindel	Válvula De In•ado	



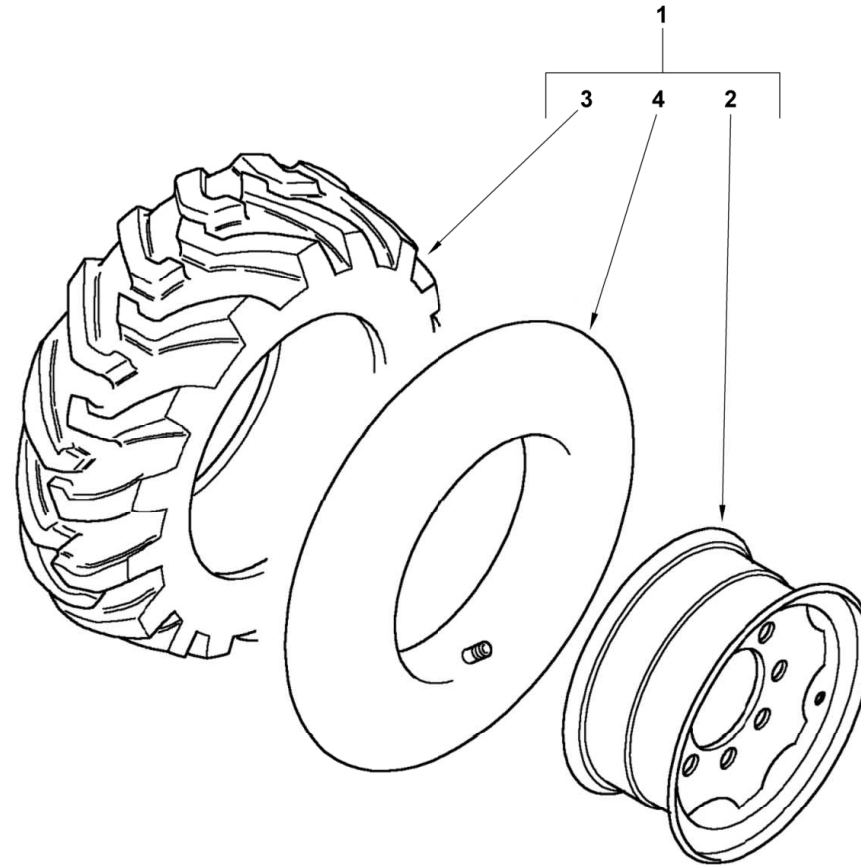
C-98162-01.1-A



Item	Part No.	Qty.	English	French	German	Spanish	Remarks
1	6103246M92Y02	1	Wheel/Tyre Assy Rear LH (Benford Yellow)	Roue Et Pneu	Rad Mit Bereifg	Rueda, Conj.	
2	6103187M91	1	Wheel-Dw16l X 26	Roue	Rad	Llanta	
3	6109736M1	1	Tyre 18.4-26 12ply	Pneumatique	Reifen	Neumático	
4	1474020M1	1	Innertube Boa In Tyre	Chambre À Air	Luftleitkanal	Cámara De Aire	



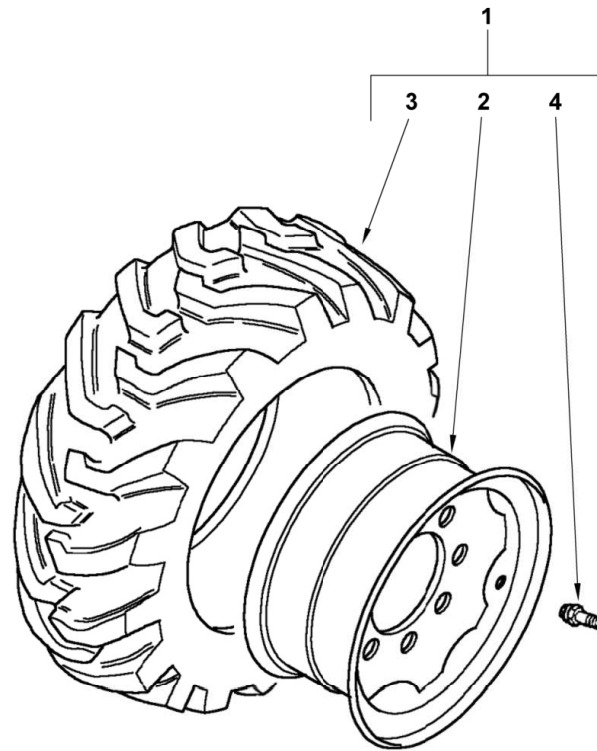
C-98164-01.1-A



Item	Part No.	Qty.	English	French	German	Spanish	Remarks
1	6103254M92Y02	1	Wheel/Tyre Assy Rear LH (Benford Yellow)	Roue Et Pneu	Rad Mit Bereifg	Rueda, Conj.	
2	6103191M91	1	Wheel-Dw15l X 30	Roue	Rad	Llanta	
3	6109841M1	1	Tyre 16.9 X 30 14p	Roue Et Pneu	Rad Mit Bereifg	Neumático	
4	892595M1	1	Innertube 14 X 30	Chambre À Air	Schlauch Fuer Reifen 14x30	Cámara De Aire	



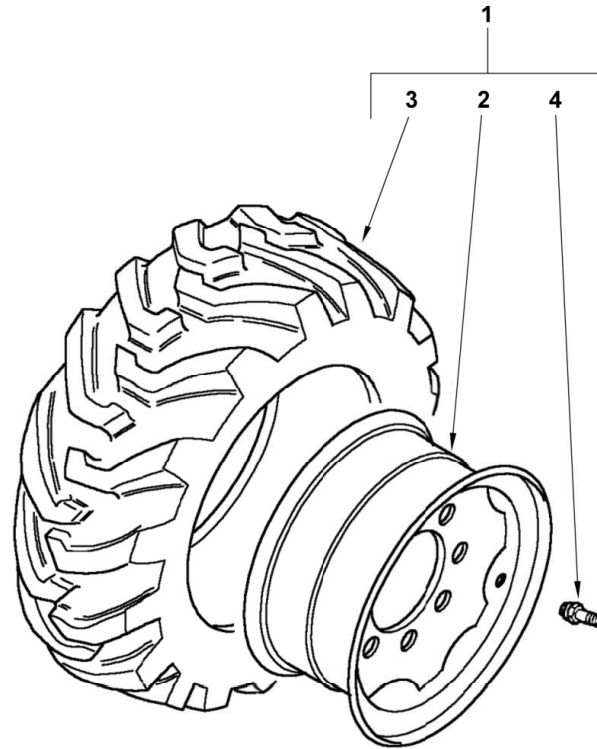
C-98165-01.1-A



Item	Part No.	Qty.	English	French	German	Spanish	Remarks
1	6109464M91Y02	1	Wheel/Tyre Assy Rear LH (Benford Yellow)	Roue Et Pneu	Rad Mit Bereifg	Rueda, Conj.	
2	6103185M91	1	Wheel W151 X 24	Roue	Rad	Llanta	
3	6109465M1	1	Tyre - Galaxy 19.51 X 24 12ply R4	Pneumatique	Reifen	Neumático	
4	842537M1	1	Valve Wheel Boa	Soupape	Ventilspindel	Válvula De In•ado	



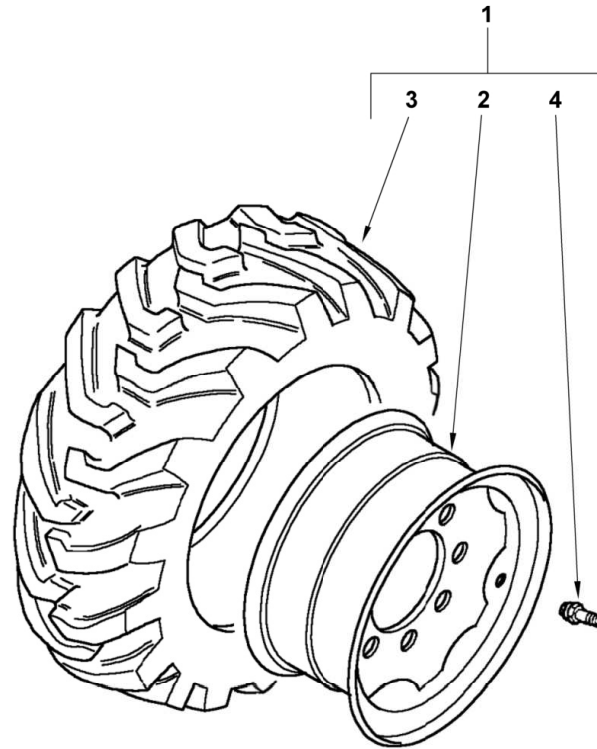
C-98170-01.1-A



Item	Part No.	Qty.	English	French	German	Spanish	Remarks
1	6110523M91Y02	1	Wheel/Tyre Rear (Benford Yellow)	Ensemble De Roue	Rad Mit Bereifg	Rueda, Conj.	
2	6103191M91Y02	1	Wheel Rim Assy W151 X 30 (Yellow)	Jante	Felge	Llanta	
3	1456812M1	1	Tyre 16.9-30 10ply R4	Pneumatique	Reifen	Neumático	
4	842537M1	1	Valve Wheel Boa	Soupape	Ventilspindel	Válvula De In•ado	



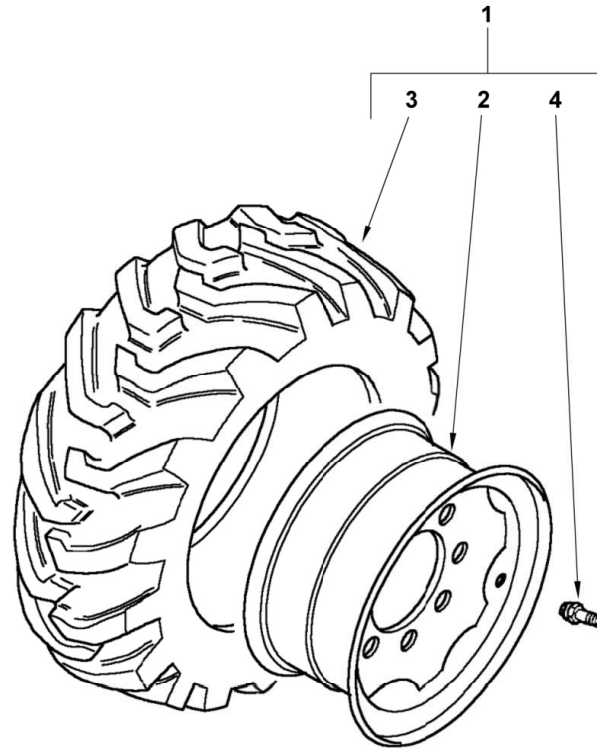
C-98171-01.1-A



Item	Part No.	Qty.	English	French	German	Spanish	Remarks
1	6110589M91Y02	1	Wheel/Tyre Rear - LH (Yellow)	Ensemble De Roue	Rad Mit Bereifg	Rueda, Conj.	
2	6103191M91Y02	1	Wheel Rim Assy W151 X 30 (Yellow)	Jante	Felge	Llanta	
3	1462951M1	1	Tyre 16.9-30 14ply R4 Goodyear	Pneumatique	Reifen	Neumático	
4	842537M1	1	Valve Wheel Boa	Soupape	Ventilspindel	Válvula De In•ado	



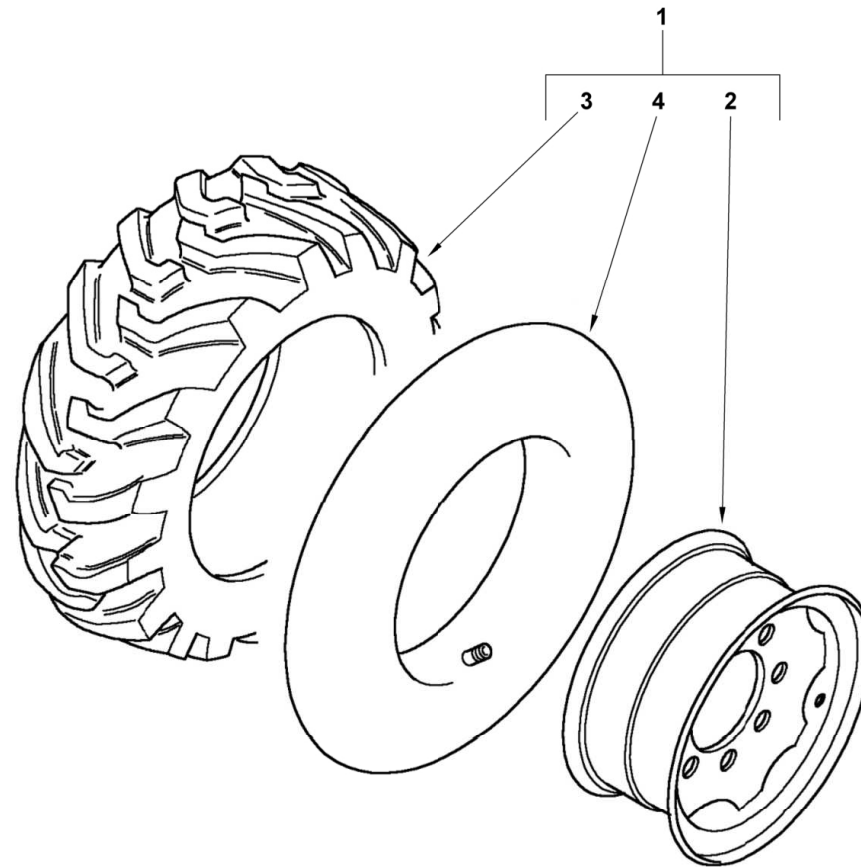
C-98173-01.1-A



Item	Part No.	Qty.	English	French	German	Spanish	Remarks
1	6103250M92W01	1	Wheel/Tyre Assy Rear LH (Terex White)	Roue Et Pneu	Rad Mit Bereifg	Rueda, Conj.	
2	6103191M91	1	Wheel-Dw15l X 30	Roue	Rad	Llanta	
3	6109839M1	1	Tyre 16.9 X 30 10p	Roue Et Pneu	Rad Mit Bereifg	Neumático	
4	842537M1	1	Valve Wheel Boa	Soupape	Ventilspindel	Válvula De In•ado	



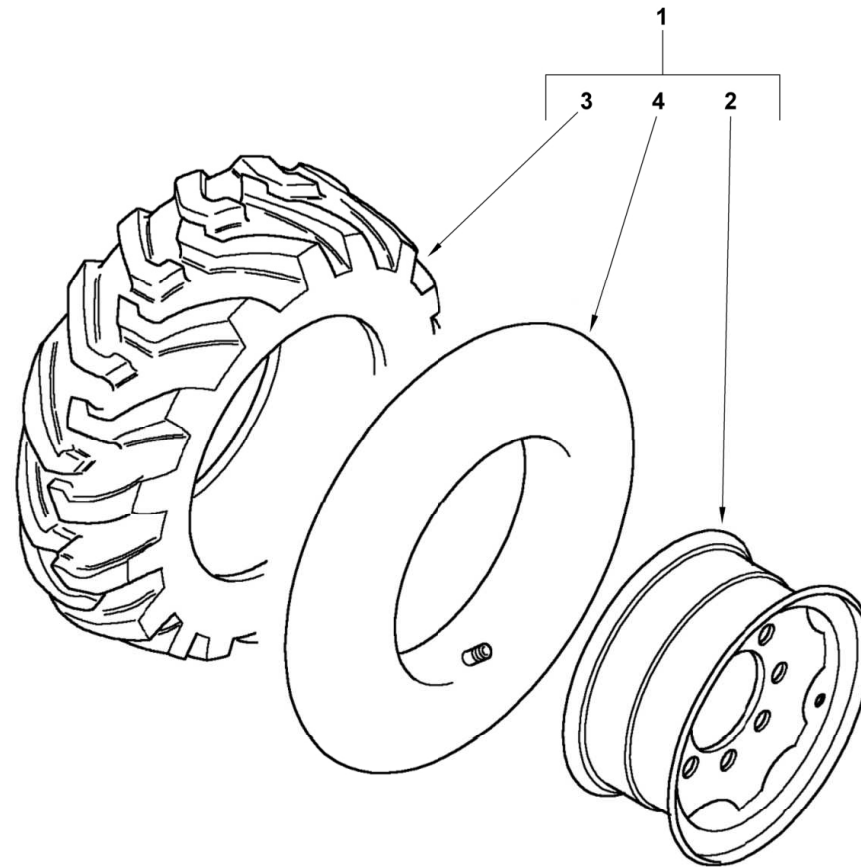
C-98174-01.1-A



Item	Part No.	Qty.	English	French	German	Spanish	Remarks
1	6103246M92Y02	1	Wheel/Tyre Assy Rear LH (Benford Yellow)	Roue Et Pneu	Rad Mit Bereifg	Rueda, Conj.	
2	6103187M91	1	Wheel-Dw16l X 26	Roue	Rad	Llanta	
3	6109736M1	1	Tyre 18.4-26 12ply	Pneumatique	Reifen	Neumático	
4	1474020M1	1	Innertube Boa In Tyre	Chambre À Air	Luftleitkanal	Cámara De Aire	



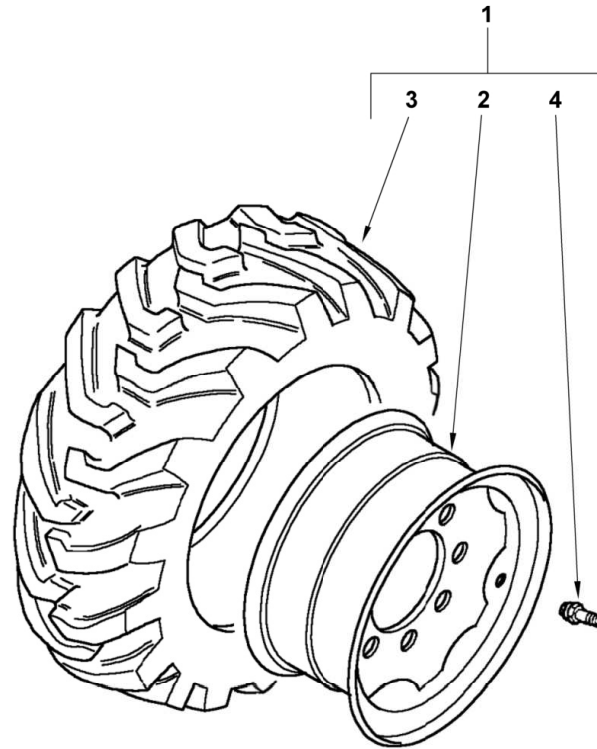
C-98176-01.1-A



Item	Part No.	Qty.	English	French	German	Spanish	Remarks
1	6103254M92W01	1	Wheel/Tyre Assy LH (Terex White)	Roue Et Pneu	Rad Mit Bereifg	Rueda Y Neumatic	
2	6103191M91	1	Wheel-Dw15l X 30	Roue	Rad	Llanta	
3	6109841M1	1	Tyre 16.9 X 30 14p	Roue Et Pneu	Rad Mit Bereifg	Neumático	
4	892595M1	1	Innertube 14 X 30	Chambre À Air	Schlauch Fuer Reifen 14x30	Cámara De Aire	



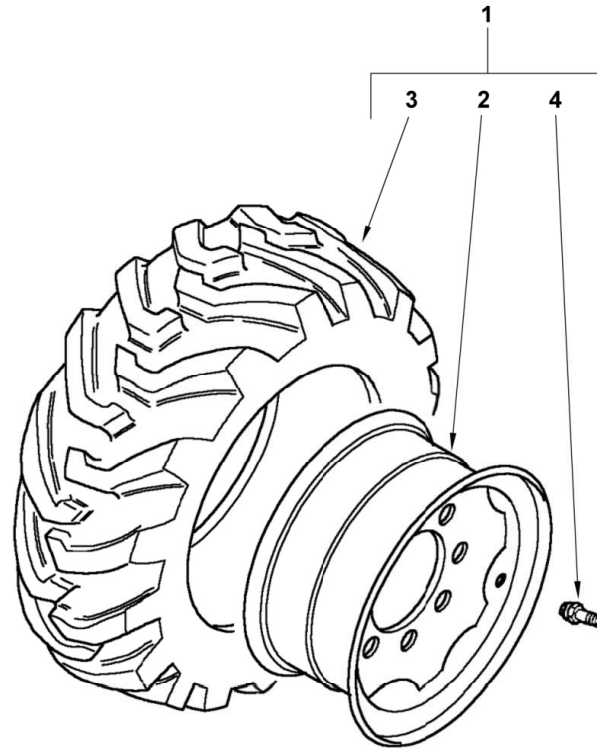
C-98177-01.1-A



Item	Part No.	Qty.	English	French	German	Spanish	Remarks
1	6109464M91W01	1	Wheel/Tyre Assy LH (Terex White)	Roue Et Pneu	Rad Mit Bereifg	Rueda, Conj.	
2	6103185M91	1	Wheel W151 X 24	Roue	Rad	Llanta	
3	6109465M1	1	Tyre - Galaxy 19.51 X 24 12ply R4	Pneumatique	Reifen	Neumático	
4	842537M1	1	Valve Wheel Boa	Soupape	Ventilspindel	Válvula De In•ado	



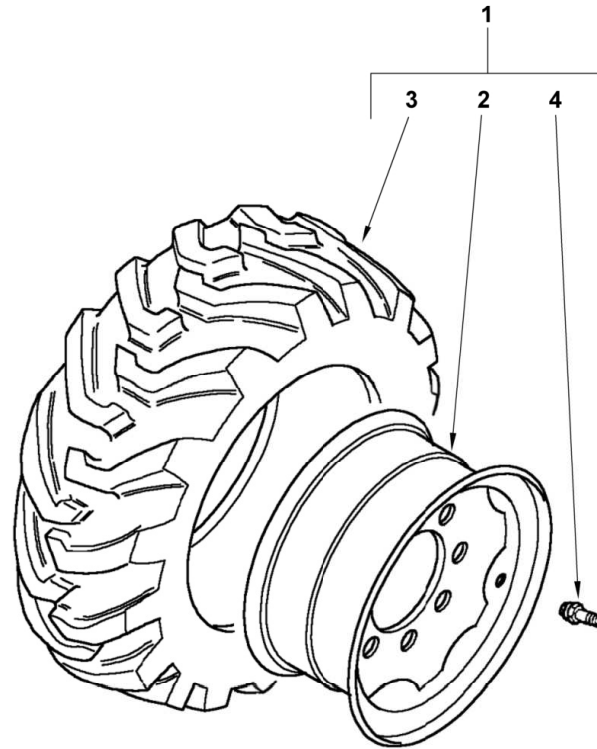
C-98182-01.1-A



Item	Part No.	Qty.	English	French	German	Spanish	Remarks
1	6110523M91Y02	1	Wheel/Tyre Rear (Benford Yellow)	Ensemble De Roue	Rad Mit Bereifg	Rueda, Conj.	
2	6103191M91Y02	1	Wheel Rim Assy W151 X 30 (Yellow)	Jante	Felge	Llanta	
3	1456812M1	1	Tyre 16.9-30 10ply R4	Pneumatique	Reifen	Neumático	
4	842537M1	1	Valve Wheel Boa	Soupape	Ventilspindel	Válvula De In•ado	



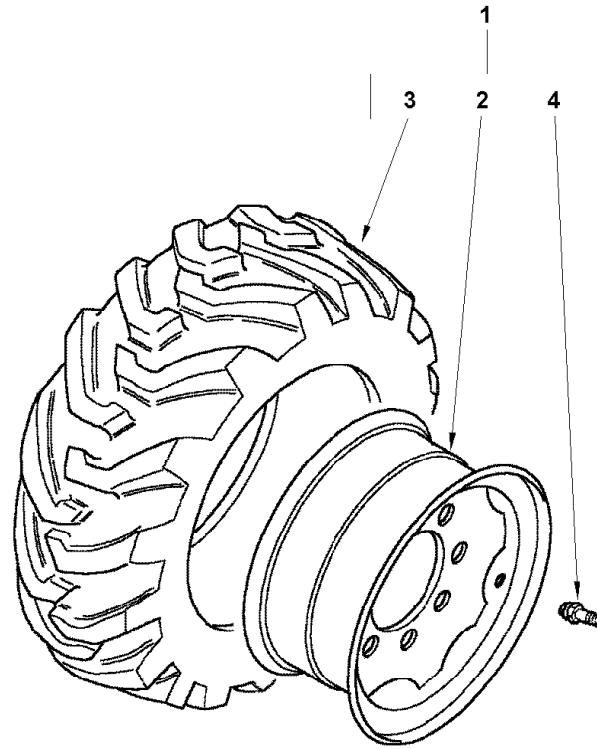
C-98183-01.1-A



Item	Part No.	Qty.	English	French	German	Spanish	Remarks
1	6110589M91W01	1	Wheel & Tyre - LH (White)	Ensemble De Roue	Rad Mit Bereifg	Rueda, Conj.	
2	6103191M91W01	1	Wheel Rim Assy Dw15lx30 (Terex White)	Jante	Felge	Llanta	
3	1462951M1	1	Tyre 16.9-30 14ply R4 Goodyear	Pneumatique	Reifen	Neumático	
4	842537M1	1	Valve Wheel Boa	Soupape	Ventilspindel	Válvula De In•ado	



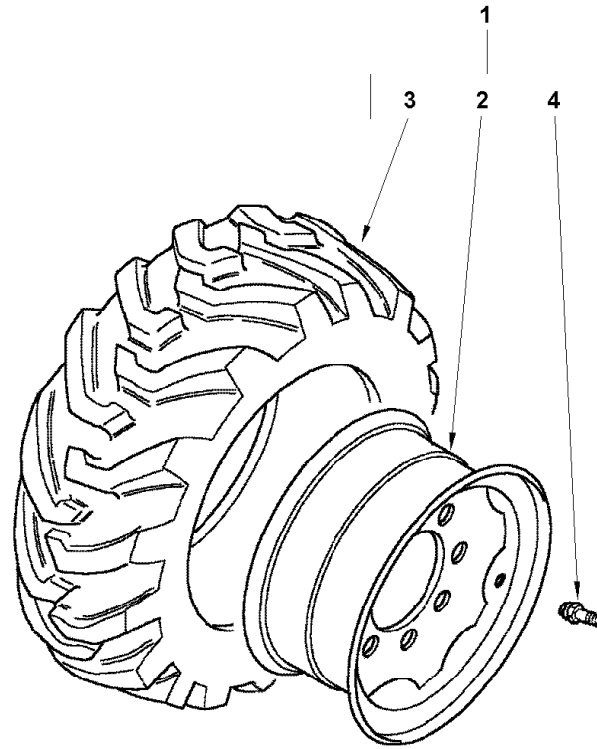
C-98206-01.1-A



Item	Part No.	Qty.	English	French	German	Spanish	Remarks
1	6110749M91W01	1	Wheel Assy LH	Roue Et Pnue	Rad Mit Bereifg	Rueda, Conj.	
2	6103191M91	1	Wheel-Dw15l X 30	Roue	Rad	Llanta	
3	6110761M1	1	Tyre - Mitas 16.9 X 30 14p Ti-09 Ind	Pneu	Reifen	Neumático	
4	842537M1	1	Valve Wheel Boa	Soupape	Ventilspindel	Válvula De In•ado	



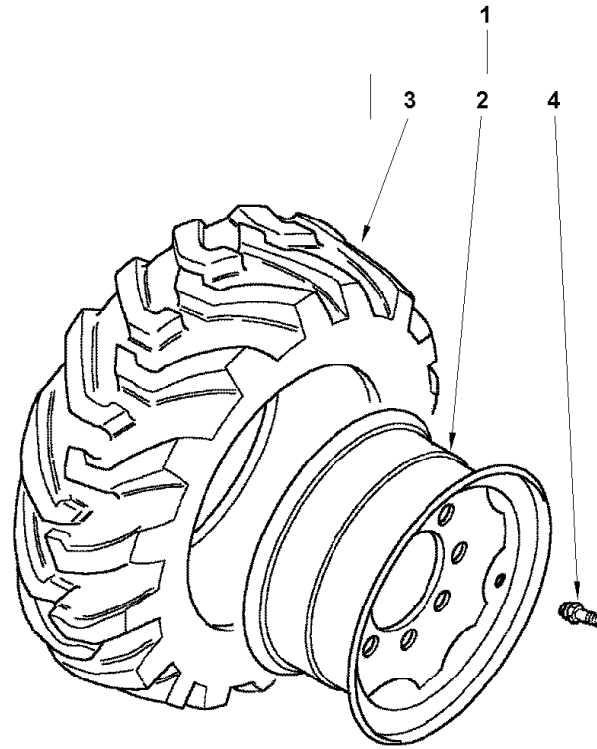
C-98207-01.1-A



Item	Part No.	Qty.	English	French	German	Spanish	Remarks
1	6110749M91Y02	1	Wheel Assy LH	Roue Et Pneu	Rad Mit Bereifg	Rueda, Conj.	
2	6103191M91	1	Wheel-Dw15l X 30	Roue	Rad	Llanta	
3	6110761M1	1	Tyre - Mitas 16.9 X 30 14p Ti-09 Ind	Pneu	Reifen	Neumático	
4	842537M1	1	Valve Wheel Boa	Soupape	Ventilspindel	Válvula De In•ado	



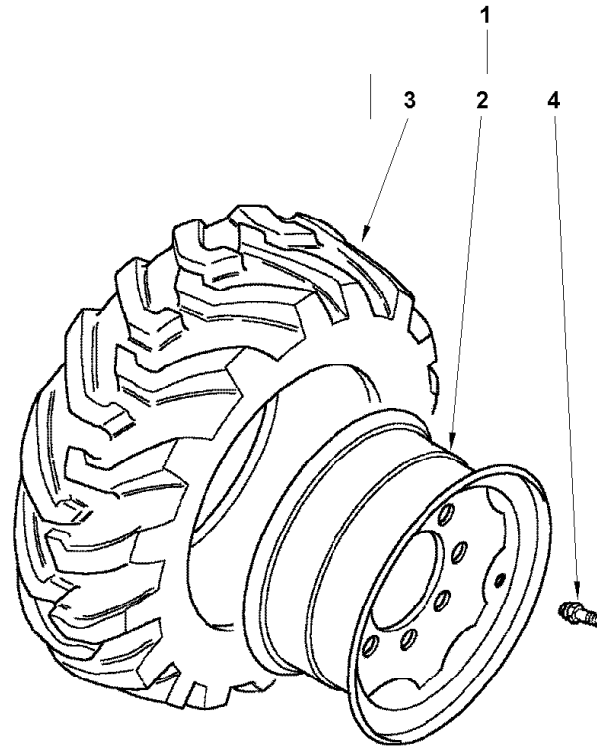
C-98208-01.1-A



Item	Part No.	Qty.	English	French	German	Spanish	Remarks
1	6110751M91W01	1	Wheel Assy LH	Roue Et Pneu	Rad Mit Bereifg	Rueda, Conj.	
2	6103185M91	1	Wheel W15I X 24	Roue	Rad	Llanta	
3	6110762M1	1	Tyre - Mitas 19.5I-24 12pr Ti-05 Ind	Pneu	Reifen	Neumático	
4	842537M1	1	Valve Wheel Boa	Soupape	Ventilspindel	Válvula De In•ado	



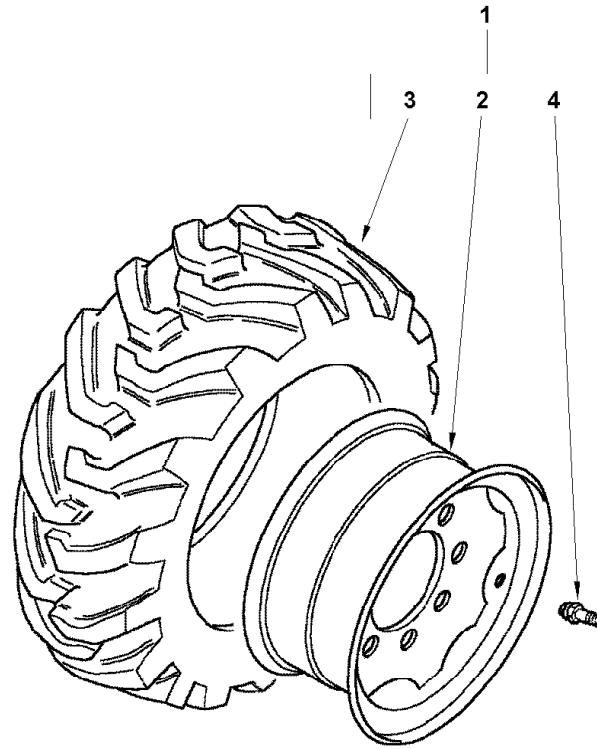
C-98209-01.1-A



Item	Part No.	Qty.	English	French	German	Spanish	Remarks
1	6110751M91Y02	1	Wheel Assy LH	Roue Et Pneu	Rad Mit Bereifg	Rueda, Conj.	
2	6103185M91	1	Wheel W15I X 24	Roue	Rad	Llanta	
3	6110762M1	1	Tyre - Mitas 19.5I-24 12pr Ti-05 Ind	Pneu	Reifen	Neumático	
4	842537M1	1	Valve Wheel Boa	Soupape	Ventilspindel	Válvula De In•ado	



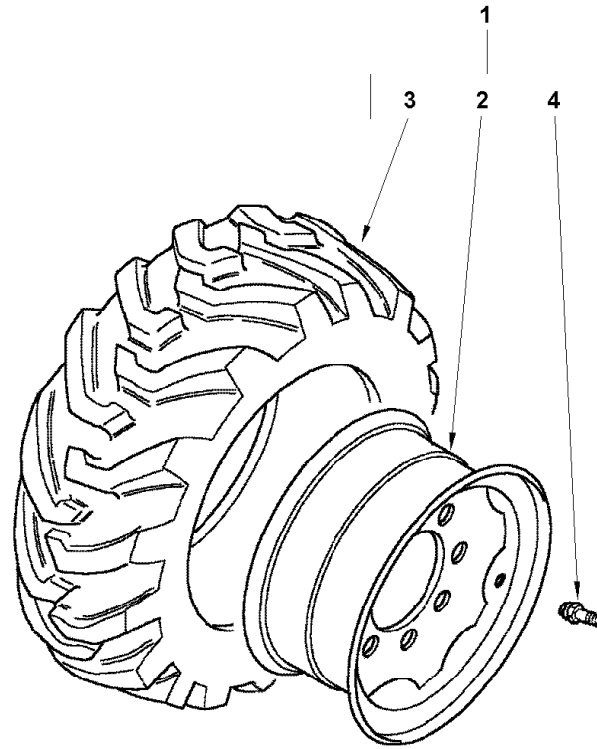
C-98210-01.1-A



Item	Part No.	Qty.	English	French	German	Spanish	Remarks
1	6110747M91W01	1	Wheel Assy LH	Roue Et Pneu	Rad Mit Bereifg	Rueda, Conj.	
2	6103187M91	1	Wheel-Dw16l X 26	Roue	Rad	Llanta	
3	6110760M1	1	Tyre - Mitas 18.4 X 26 Td 12pr TI	Pneu	Reifen	Neumático	
4	842537M1	1	Valve Wheel Boa	Soupape	Ventilspindel	Válvula De In•ado	



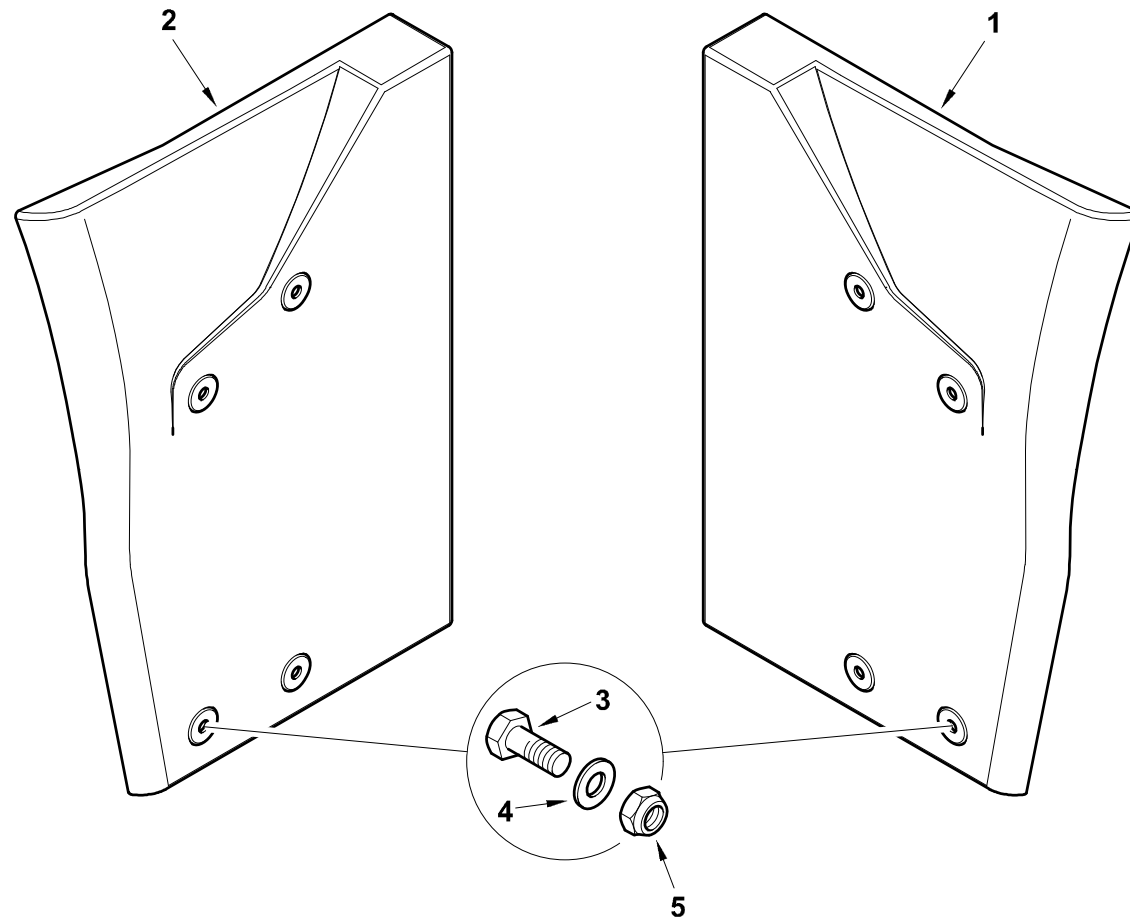
C-98211-01.1-A



Item	Part No.	Qty.	English	French	German	Spanish	Remarks
1	6110747M91Y02	1	Wheel Assy LH	Roue Et Pneu	Rad Mit Bereifg	Rueda, Conj.	
2	6103187M91	1	Wheel-Dw16l X 26	Roue	Rad	Llanta	
3	6110760M1	1	Tyre - Mitas 18.4 X 26 Td 12pr TI	Pneu	Reifen	Neumático	
4	842537M1	1	Valve Wheel Boa	Soupape	Ventilspindel	Válvula De In•ado	



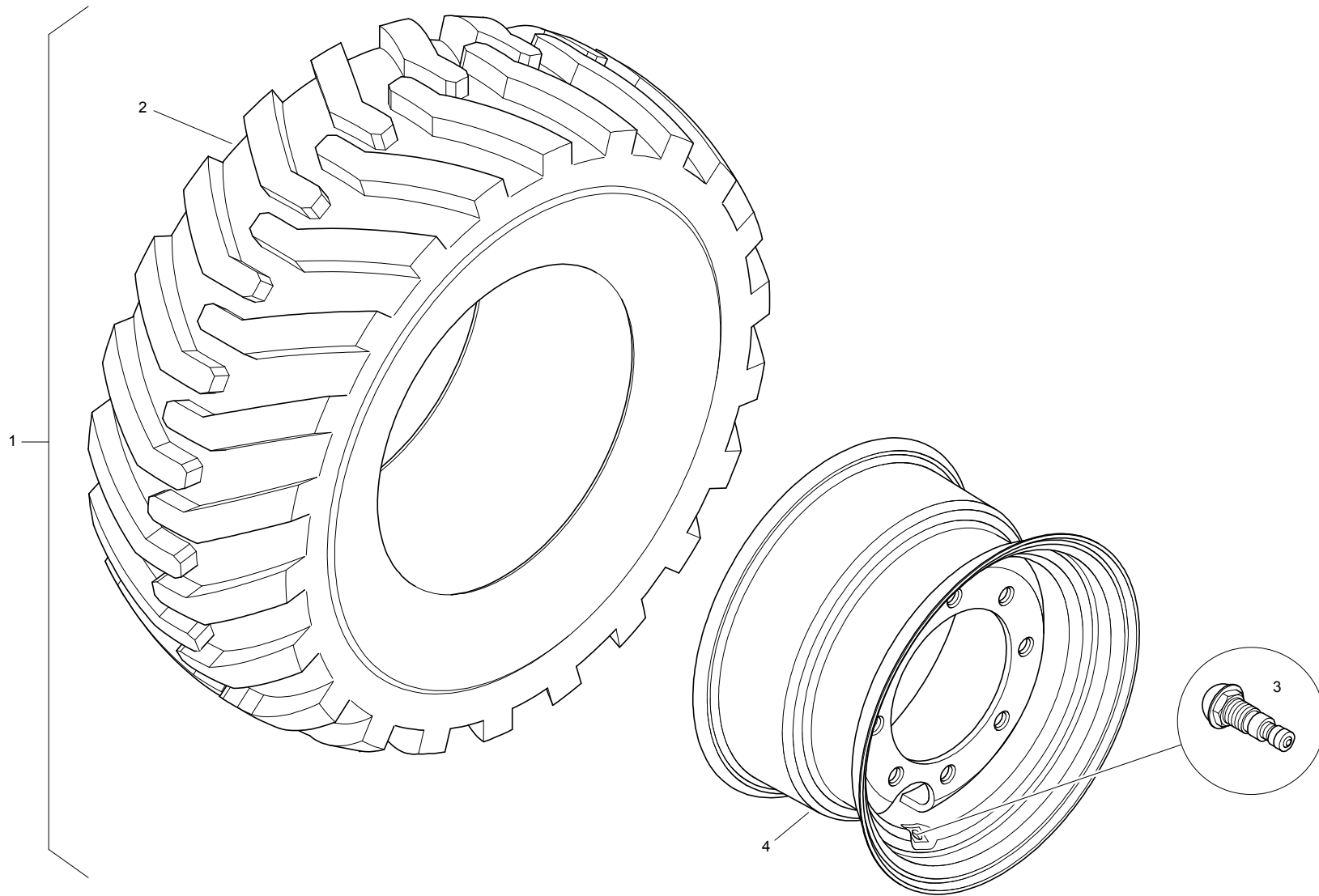
C-98233-01.1-A



Item	Part No.	Qty.	English	French	German	Spanish	Remarks
1	6102038M1	1	Fender Extension LH	Rallonge	Verlängerung	Guardafango	
2	6102039M1	1	Fender Extension RH	Aile	Kot•ugel	Guardafango	
3	339123X1	8	Bolt M8-20 Z5f	Boulon M8 X 20	Maschschraube M8	Perno	
4	391039X1	8	Washer M8-24-2 Z	Rondelle M8	Scheibe M8	Arandela	
5	394367X1	8	Nut, Hex. - Nyloc, M8	Ecrou Blocage M8	Flachmutter - M8	Tuerca De Retención	



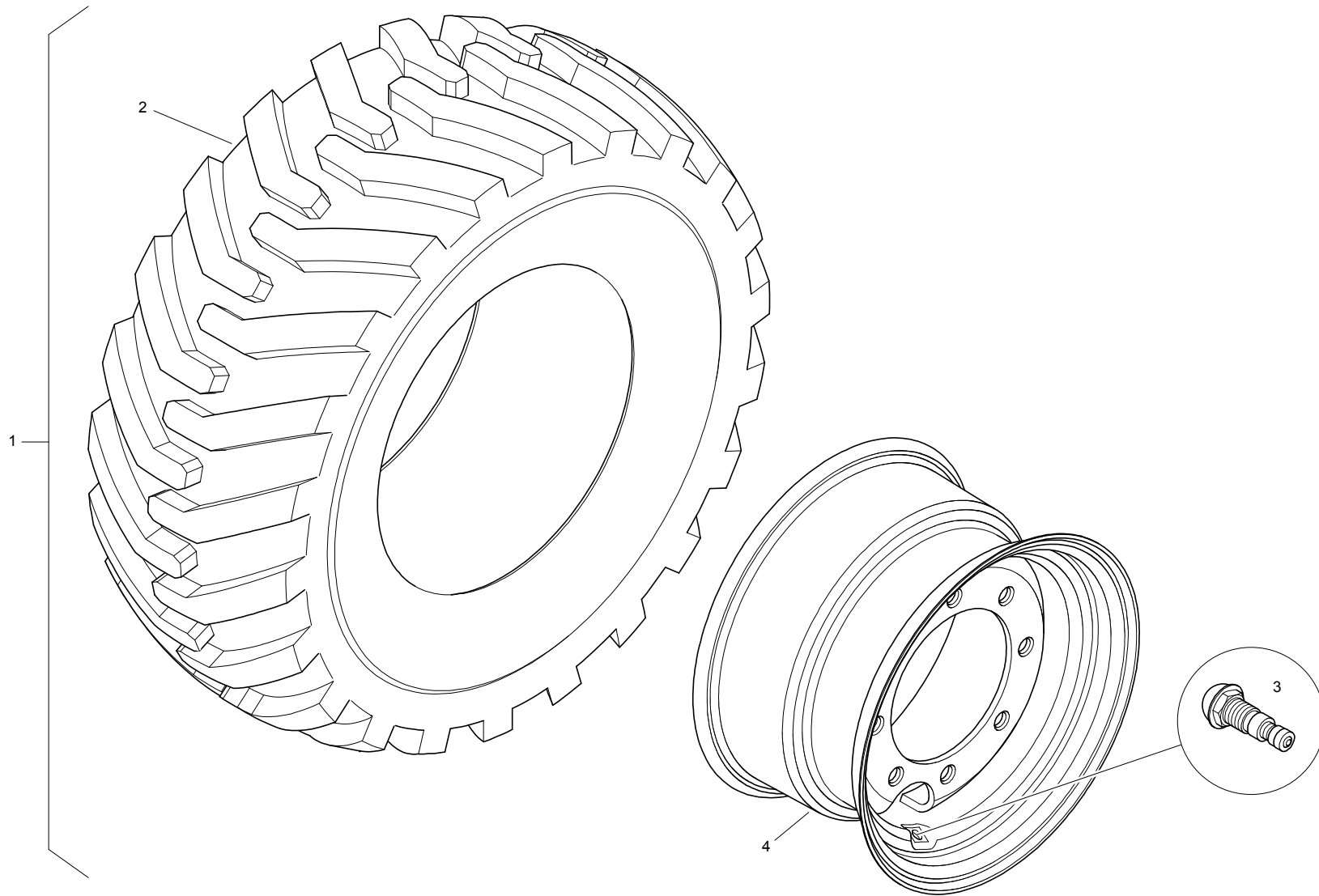
C-98244-01.1-A



Item	Part No.	Qty.	English	French	German	Spanish	Remarks
1	6111475M91W01	1	Wheel Assy LH	Roue Et Pneu	Rad Mit Bereifg	Rueda, Conj.	
2	6110756M1	1	Tyre - Mitas 12.5/80-18 12pr Tr-09 Ind	Pneu	Reifen	Neumático	
3	842537M1	1	Valve Wheel Boa	Soupape	Ventilspindel	Válvula De In•ado	
4	6111445M91W01	1	Wheel Rim Assy 11 X 18 (Terex White)	Roue	Rad	Rueda	



C-98245-01.1-A



Item	Part No.	Qty.	English	French	German	Spanish	Remarks
1	6111475M91Y02	1	Wheel Assy LH	Roue Et Pneu	Rad Mit Bereifg	Rueda, Conj.	
2	6110756M1	1	Tyre - Mitas 12.5/80-18 12pr Tr-09 Ind	Pneu	Reifen	Neumático	
3	842537M1	1	Valve Wheel Boa	Soupape	Ventilspindel	Válvula De In•ado	
4	6111445M91Y02	1	Wheel Rim Assy 11 X 18 (Yellow)	Roue	Rad	Rueda	



THIS PAGE INTENTIONALLY LEFT BLANK



Item	Part No.	Qty.	English	French	German	Spanish	Remarks
1	6111461M91W01	1	Wheel Assy LH	Roue Et Pneu	Rad Mit Bereifg	Rueda, Conj.	
2	6110755M1	1	Tyre - Mitas 16/70 X 20 14p Tr-09 Ind	Pneu	Reifen	Neumático	
3	6111376M91W01	1	Wheel Rim Assy 13 X 20 (Terex White)	Roue	Rad	Rueda	
4	842537M1	1	Valve Wheel Boa	Soupape	Ventilspindel	Válvula De In•ado	



THIS PAGE INTENTIONALLY LEFT BLANK



Item	Part No.	Qty.	English	French	German	Spanish	Remarks
1	6111461M91Y02	1	Wheel Assy LH	Roue Et Pneu	Rad Mit Bereifg	Rueda, Conj.	
2	6110755M1	1	Tyre - Mitas 16/70 X 20 14p Tr-09 Ind	Pneu	Reifen	Neumático	
3	6111376M91Y02	1	Wheel Rim Assy 13 X 20 (Yellow)	Roue	Rad	Rueda	
4	842537M1	1	Valve Wheel Boa	Soupape	Ventilspindel	Válvula De In•ado	



THIS PAGE INTENTIONALLY LEFT BLANK



Item	Part No.	Qty.	English	French	German	Spanish	Remarks
1	6111463M91W01	1	Wheel Assy LH	Roue Et Pneu	Rad Mit Bereifg	Rueda, Conj.	
2	6110757M1	1	Tyre - Mitas 405/70 X 20 14p Mpt01 Ag	Pneu	Reifen	Neumático	
3	6111376M91W01	1	Wheel Rim Assy 13 X 20 (Terex White)	Roue	Rad	Rueda	
4	842537M1	1	Valve Wheel Boa	Soupape	Ventilspindel	Válvula De In•ado	



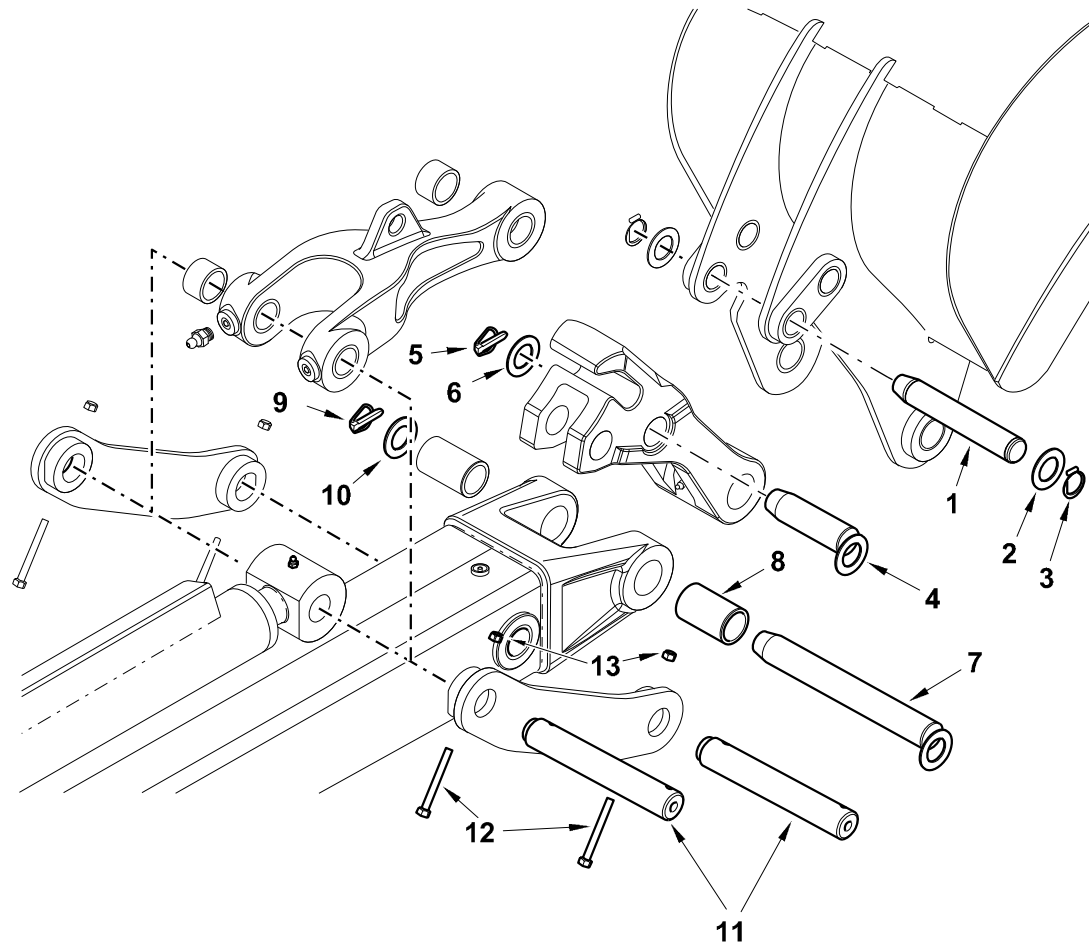
THIS PAGE INTENTIONALLY LEFT BLANK



Item	Part No.	Qty.	English	French	German	Spanish	Remarks
1	6111463M91Y02	1	Wheel Assy LH	Roue Et Pneu	Rad Mit Bereifg	Rueda, Conj.	
2	6110757M1	1	Tyre - Mitas 405/70 X 20 14p Mpt01 Ag	Pneu	Reifen	Neumático	
3	6111376M91Y02	1	Wheel Rim Assy 13 X 20 (Yellow)	Roue	Rad	Rueda	
4	842537M1	1	Valve Wheel Boa	Soupape	Ventilspindel	Válvula De In•ado	



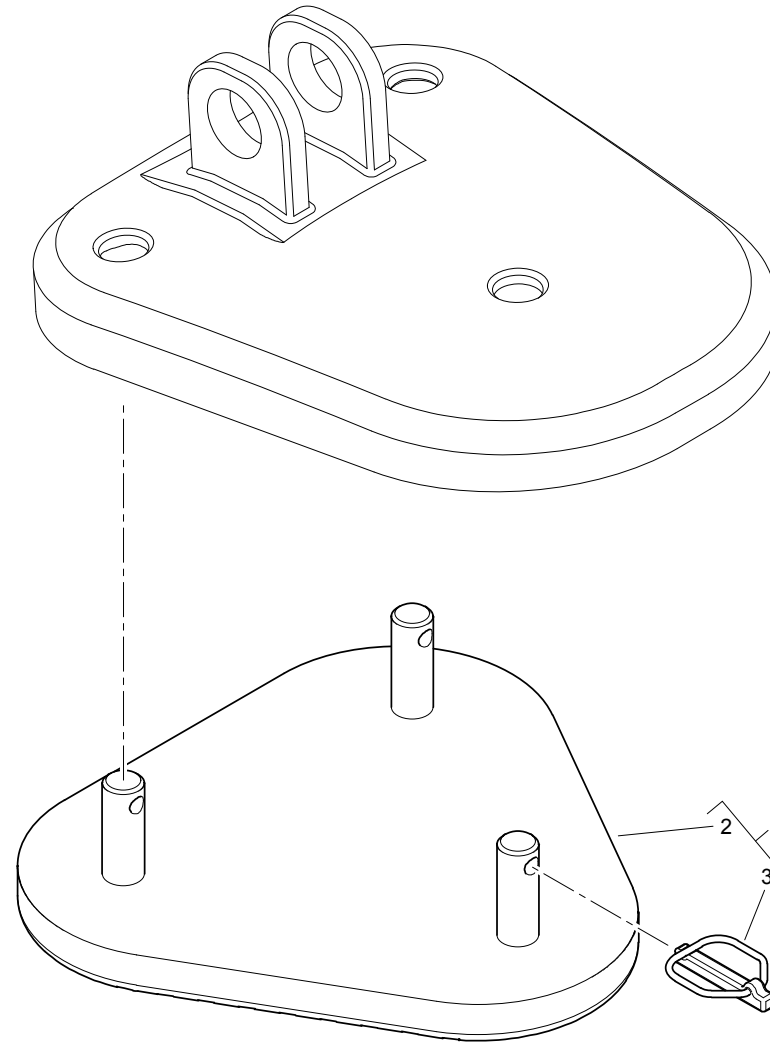
C-98266-01.1-A



Item	Part No.	Qty.	English	French	German	Spanish	Remarks
1	D37614	1	Pin, 1.5" X 9.68" - Case Digger Link	Goupille	Bolzen	Pasador	
2	D143324	2	Washer - Case Digger Bucket Linkage	Rondelle	Scheibe	Arandela	
3	D25279	2	Circlip- Case Digger Bucket Linkage	Code Accessoire	Zubehör Code	Código Accesorio	
4	D140653	1	Pin Assy. - 44mm X 152mm, Case Bkt. Link	Goupille Ass.	Bolzen Kplt	Pasador, Conj.	
5	392181R1	1	Linch Pin & Ring - Case Bucket Linkage	Goupille D'Arrêt	Klappstecker	Pasador De Parada	
6	3501790M1	1	Washer M46-65-5 Z	Rondelle	Scheibe	Arandela	
7	D140655	1	Pin Assy. - 44mm X 349mm, Case Bkt. Link	Goupille Ass	Bolzen Kplt	Pasador, Conj.	
8	D127168	2	Bushing - Case Bucket Linkage	Bague	Büchse	Anillo	
9	392181R1	1	Linch Pin & Ring - Case Bucket Linkage	Goupille D'Arrêt	Klappstecker	Pasador De Parada	
10	3501790M1	1	Washer M46-65-5 Z	Rondelle	Scheibe	Arandela	
11	3522696M2	2	Pin 307 Dgr Links	Goupille	Bolzen	Pasador	
12	1441106X1	4	Bolt M10 X 100 - Zinc (Iso 10.9)	Boulon	Bolzen	Tornillo	
13	1440329X1	4	Nut, Hex. - Nyloc, M10	Ecrou Blocage	Flachmutter M10	Tuerca De Retención	



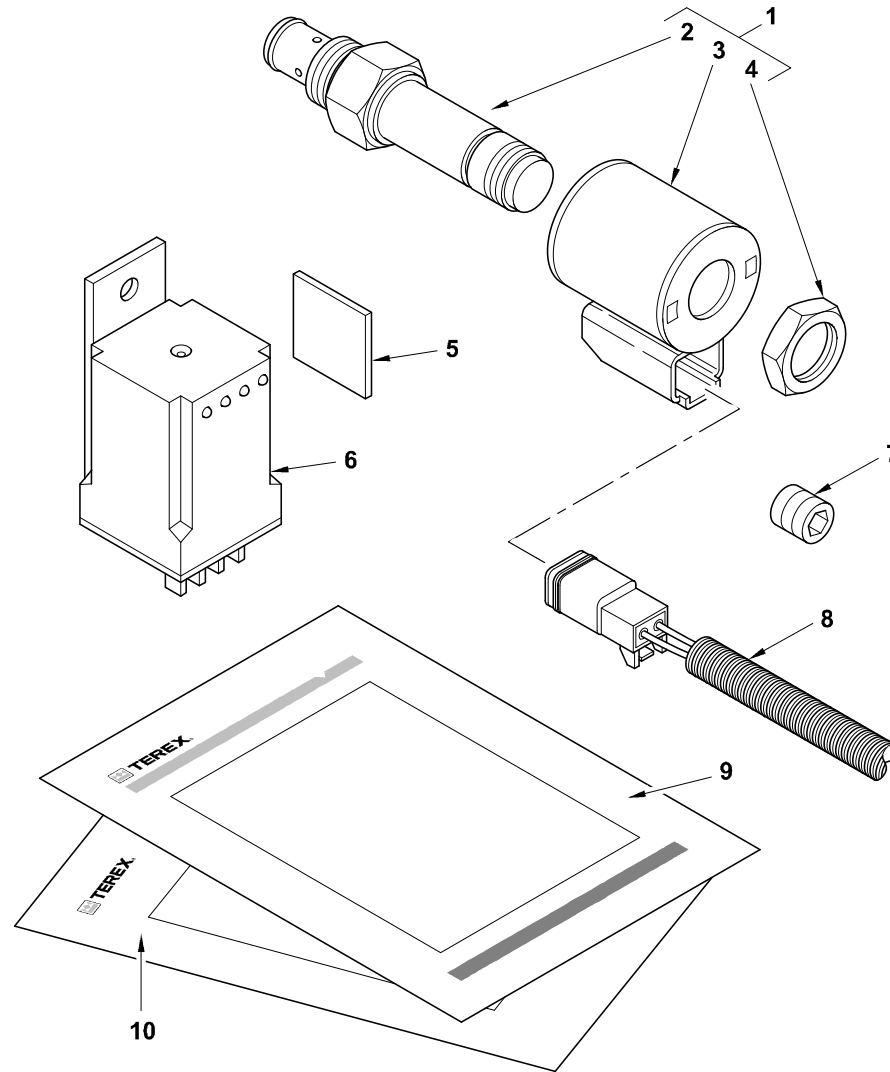
C-98299-01.1-A



Item	Part No.	Qty.	English	French	German	Spanish	Remarks
1	6111279M91	2	Street Pad - For Stab Foot 6112386m1	Plaque Antidérapante	Zwischenlage	Cinta Antideslizante	
2	6111280M1	1	Street Pad Ss	Plaque Antidérapante	Zwischenlage	Cinta Antideslizante	
3	3516522M91	3	Pin Safety Linch	Goupille D´Arrêt	Klappstecker	Pasador De Parada	



C-98349-01.1-B



Item	Part No.	Qty.	English	French	German	Spanish	Remarks
1	6114959M91	1	Proportional Relief Valve	Proportional Relief Valve	Proportional Relief Valve	Proportional Relief Valve	
2	6114978M91	1	Proportional Relief Cartridge	Cartouche	Patrone	Elemento Filtro	
3	6114979M91	1	Proportional Coil	Bobine	Magnetspule	Bobina	
4	#NUT	1	Nut	Ecrou	Mutter	Tuerca	Ref. 2
5	6110700M91	1	Velcro Strip 25x25	Bande D'Étanchéité	Streifen - Velcro	Banda Estanqueidad	
6	6114958M91	1	Elect Controller Solenoid Driver Module	Controle	Steuerung	Mando	
7	T101314	1	Grub Screw - 0.8mm Dia Ori•ce	Vis Sans Tete	Gewindestift	Tornillo Presor	
8	6114957M91	1	Harness - Solenoid Driver	Faisceau	Beschirrung	Arnes	
9	T101071	1	Fitting Instructions - Tier 3 Upgrade Kit	Fitting Instructions - Tier 3 Upgrade Kit	Fitting Instructions - Tier 3 Upgrade Kit	Fitting Instructions - Tier 3 Upgrade Kit	
10	T101436	1	Instructions - Electronic Module Adjustment	Instructions	Repanleitung	Instrucciones	



Not Serviced

THIS PAGE INTENTIONALLY LEFT BLANK

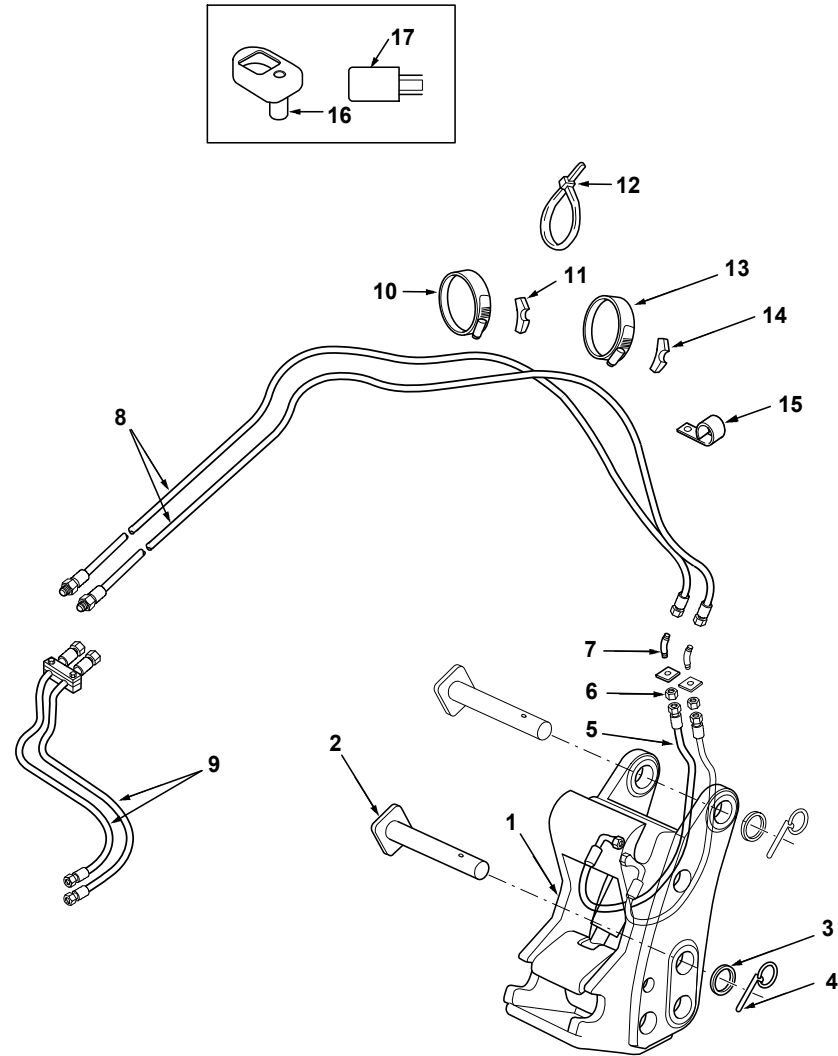


Not Serviced

THIS PAGE INTENTIONALLY LEFT BLANK



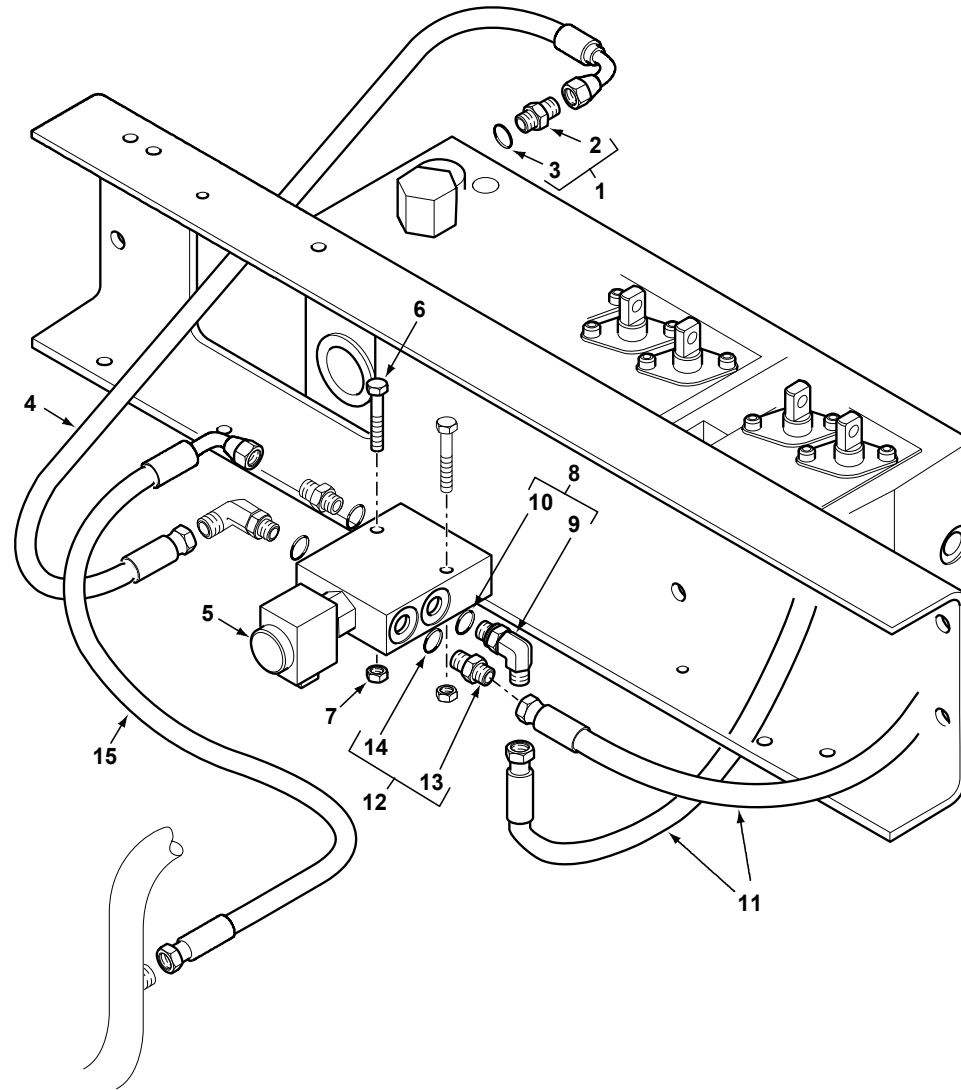
C-90001-01.1-A



Item	Part No.	Qty.	English	French	German	Spanish	Remarks
1	6108811M92	1	Miller Quick Attach Assy. (Digger) [Not For Sale In Uk]	Ensem. D&Attel. Rapi	Schnellkupplung Kpl	Engan. Rápido, Conj.	90001c04.1 1
2	3516519M94	2	Pin & Plate 45-322,5	Axe	Bolzen	Pasador	
3	3501790M1	2	Washer M46-65-5 Z	Rondelle	Scheibe	Arandela	
4	3516522M91	2	Pin Safety Linch	Goupille D´Arrêt	Klappstecker	Pasador De Parada	
5	6102923M91	2	Hose - Digger Q/Attach., Miller	Flexible	Schlauch Kpl	Flexible, Conj.	
6	356612X1	2	Nut 7/16" Unf	Ecrou Unf	Mutter 7/16" Unf	Tuerca	
7	371089X1	2	Elbow 45 Deg	Coude, 45	Kniestück, 45°	Codo, 45°	
8	6106086M91	2	Hose-Miller Q/Attach Hyd.	Flexible Ass.	Schlauch Kpl	Flexible, Conj.	
9	#HOSE ASSY	2	Hose Assy	Hose Assy	Hose Assy	Hose Assy	90001c02.1 11
10	3517732M1	1	Clip, Hose	Collier Durit	Schlauchschelle	Argolla De Fijación	
11	D142787	1	Saddle (See 142787d)	Selle	Sattel	Bloque De Caucho	
12	1664405M1	6	Tie Mm T50s	Attache Cable	Kabelbinder	Enlace De Cable	
13	3517731M1	1	Clamp-Hose	Bride Pour Tutaux	Schlauchschelle	Argolla De Fijación	
14	D142787	1	Saddle (See 142787d)	Selle	Sattel	Bloque De Caucho	
15	515-22127	4	Clip-Coated P	Collier De Fixation	Befestigungsschelle	Argolla De Fijación	
16	6101777M91	1	Cover Assy. - Switch Operating	Cache	Abdeckung	Tapa	
17	6102490M1	1	Relay-Micro	Relais	Relais	Relé	



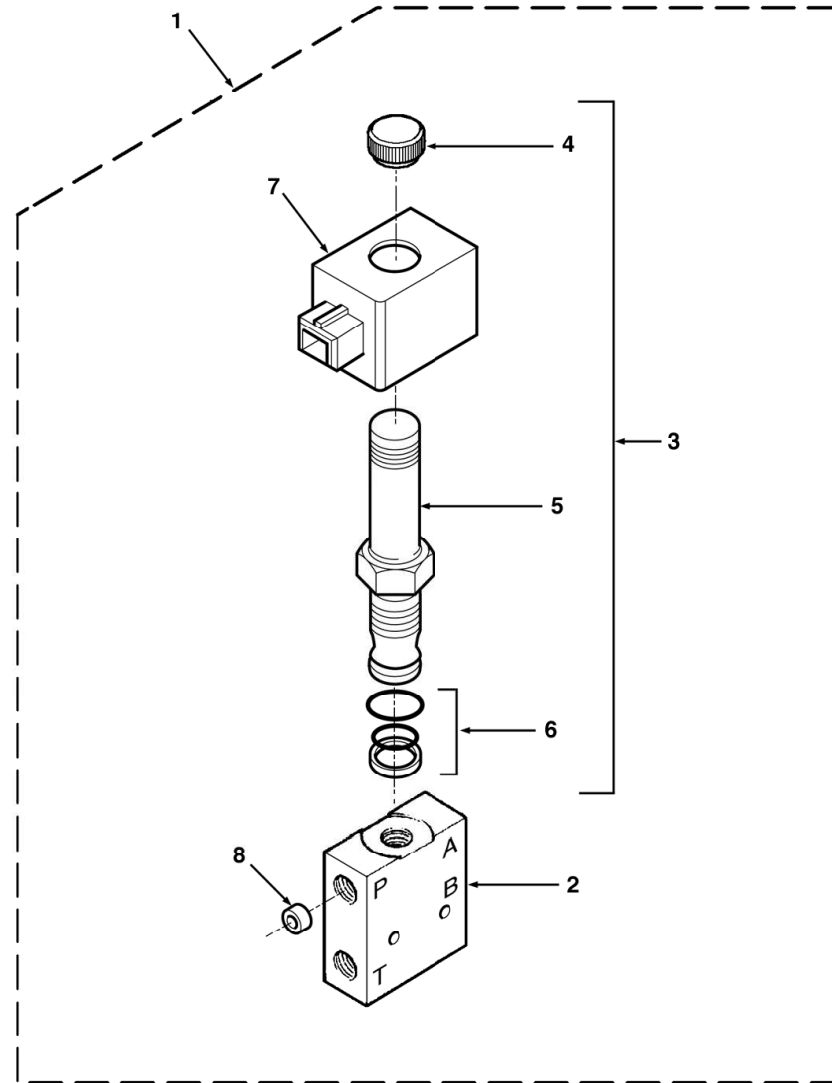
C-90001-02.1-A



Item	Part No.	Qty.	English	French	German	Spanish	Remarks
1	365830X91	1	Connector	Adaptateur	Reduziernippel	Unión	
2	#UNION	1	Union	Union	Union	Union	Ref. 1
3	#O-RING	1	O-Ring	Joint Torique	O-Ring	Junta Tórica	
4	6109910M91	1	Hose Assy - Q/A Feed	Flexible Ass.	Schlauch Kpl	Flexible, Conj.	
5	6106011M91	1	Valve-Digger Quick Attach.	Électrovalve	Magnetventil	Electroválvula	98001c03.1
6	391244X1	2	Bolt M6-45 Z5s	Goupille	Bolzen - M6 X 45	Perno	
7	1441500X1	2	Nut M6 Z5 Nyloc	Ecrou	Flachmutter M6	Tuerca De Retención	
8	370807X91	2	Elbow 90 7/16jic9/16or	Coude, 90	Kniestück, 90°	Codo, 90°	
9	#ELBOW	1	Elbow	Elbow	Elbow	Elbow	Ref. 8
10	831452M1	1	O Ring (Pack Of 10)	Joint Torique	O Ring	Junta De Tipo O	
11	6102806M91	1	Hose-Quick Attach	Flexible Ass.	Schlauch Kpl	Flexible, Conj.	Yellow
11	6111273M91	1	Hose Assembly - Q/Attach	Ensemble Durit	Schlauch Kpl	Flexible, Conj.	
12	365065X91	2	Connector 7/16x9/16	Borne	Doppelnippel	Unión	
13	#UNION	1	Union	Union	Union	Union	Ref. 12
14	831452M1	1	O Ring (Pack Of 10)	Joint Torique	O Ring	Junta De Tipo O	
15	3519226M91	1	Hose Assy	Flexible Ass.	Schlauch Kpl	Flexible, Conj.	

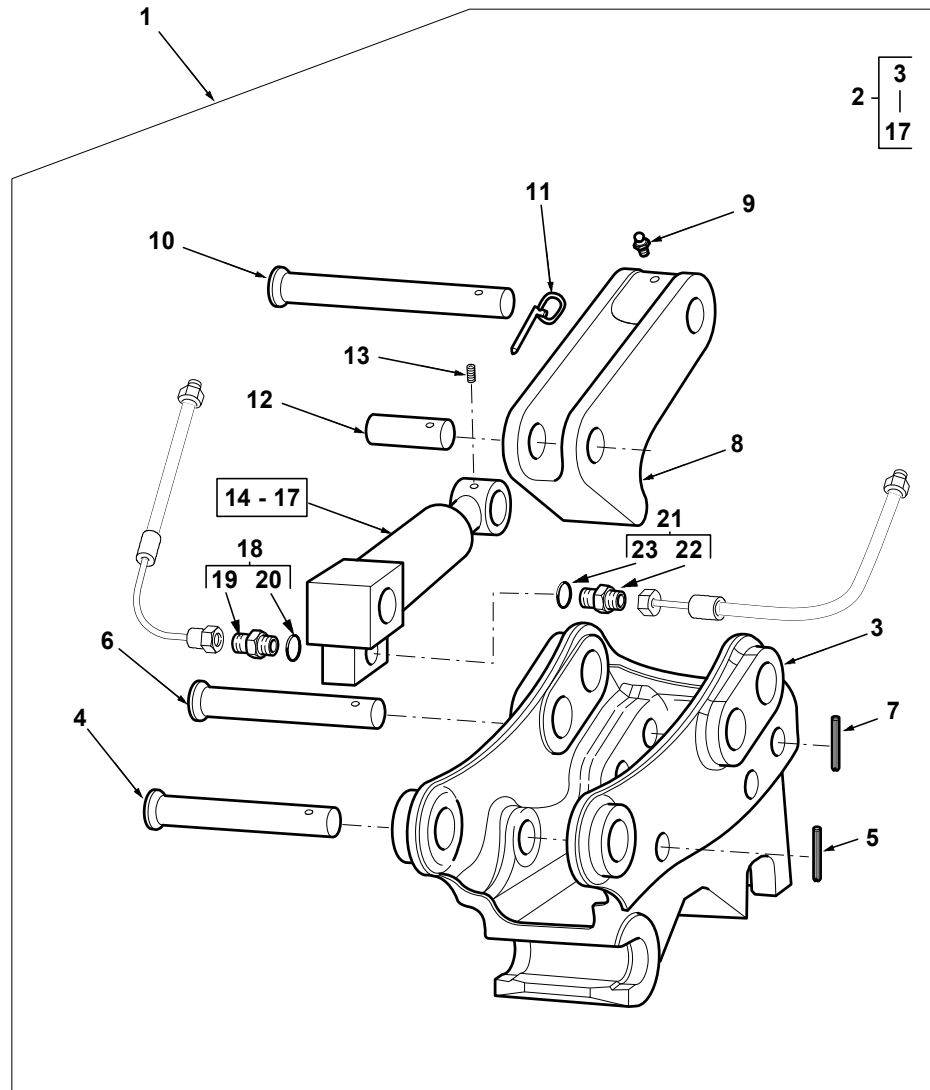


C-90001-03.1-A



Item	Part No.	Qty.	English	French	German	Spanish	Remarks
1	6106011M91	1	Valve-Digger Quick Attach.	Électrovalve	Magnetventil	Electroválvula	90001c02.1 5
2	#BODY	1	Body	Body	Body	Body	Ref. 1
3	6193020M91	1	Cartridge Assy	Cartouche Ass.	Einsatz Kplt	Solenoido, Conj.	
4	#NUT	1	Nut	Ecrou	Mutter	Tuerca	Ref. 3
5	#CARTRIDGE	1	Cartridge	Cartridge	Cartridge	Cartridge	Ref. 3
6	6193022M91	1	Kit Seal	Jeu Étanchéité	Dichtringsatz	Juego De Juntas	
7	6191096M91	1	Coil Assy.	Bobine	Wicklung, Spule	Bobina	
8	6193021M1	1	Restrictor	Réduction	Reduzierstück	Reducción	

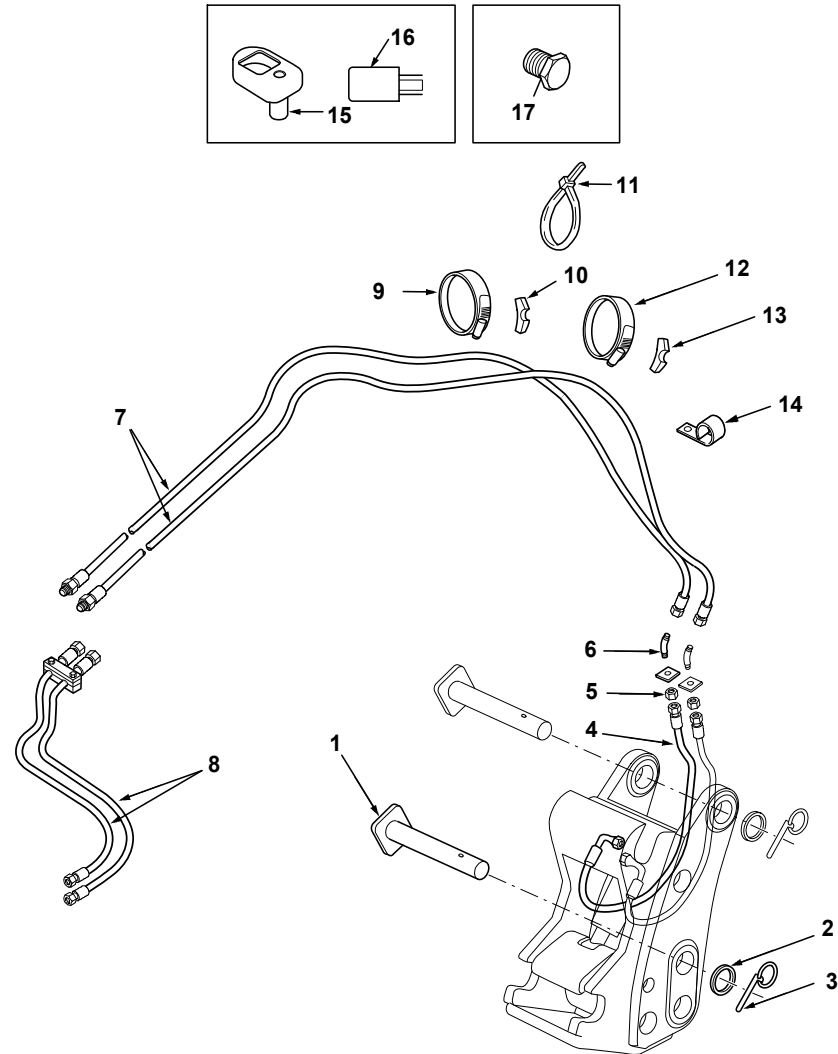
C-90001-04.1-A



Item	Part No.	Qty.	English	French	German	Spanish	Remarks
1	6108811M92	1	Miller Quick Attach Assy. (Digger) [Not For Sale In Uk]	Ensem. D&Attel. Rapi	Schnellkupplung Kpl	Engan. Rápido, Conj.	
2	6102976M91	1	Quick Attach Assy. - Dig. Bucket, Miller	Ensem. D&Attel. Rapi	Schnellkupplung Kpl	Engan. Rápido, Conj.	
3	6193009M1	1	Cast Body	Corps	Körper	Cuerpo	
4	6193013M1	1	Pin Cylinder	Axe	Bolzen	Pasador	
5	6193016M1	1	Pin Large	Axe	Bolzen	Pasador Elástico	
6	6193012M1	1	Pin Hook	Axe	Bolzen	Pasador	
7	6193016M1	1	Pin Large	Axe	Bolzen	Pasador Elástico	
8	6193010M1	1	Cast Hook	Crochet	Haken	Gancho	
9	6193018M1	1	Grease Nipple	Nipple De Graissage	Schmiernippel	Engrasador	
10	6193015M1	1	Pin Safety	Axe	Bolzen	Pasador	
11	6193017M1	1	Pin Lynch	Goupille D´Arrêt	Klappstecker	Pasador De Parada	
12	6193014M1	1	Pin Ram/Hook	Axe	Bolzen	Pasador	
13	6193019M1	1	Grub Screw	Vis Sans Tête	Gewindestift	Tornillo	
14	6193011M91	1	Cylinder Assy.	Vérin Ass.	Zylinder Kplt	Gato, Conj.	
15	6193577M91	1	Check Valve	Clapet Anti-Retour	Ventil, Rückschlag-	Válvula De Parada	
16	6193578M91	1	Kit Seal-Check Valve	Jeu Étanchéité	Dichtringsatz	Juego De Juntas	
17	6193576M91	1	Kit Seal	Jeu Étanchéité	Dichtringsatz	Juego De Juntas	
18	358741X91	1	Union, Hydr.	Raccord	Verschraubung	Racor	
19	#UNION	1	Union	Union	Union	Union	Ref. 18
20	831495M1	1	O-Ring	Joint Torique	O-Ring	Junta De Tipo O	
21	6106088M91	1	Connector, Hydraulic	Borne	Doppelnippel	Conector	
22	#UNION	1	Union	Union	Union	Union	Ref. 21
23	#O-RING	1	O-Ring	Joint Torique	O-Ring	Junta Tórica	



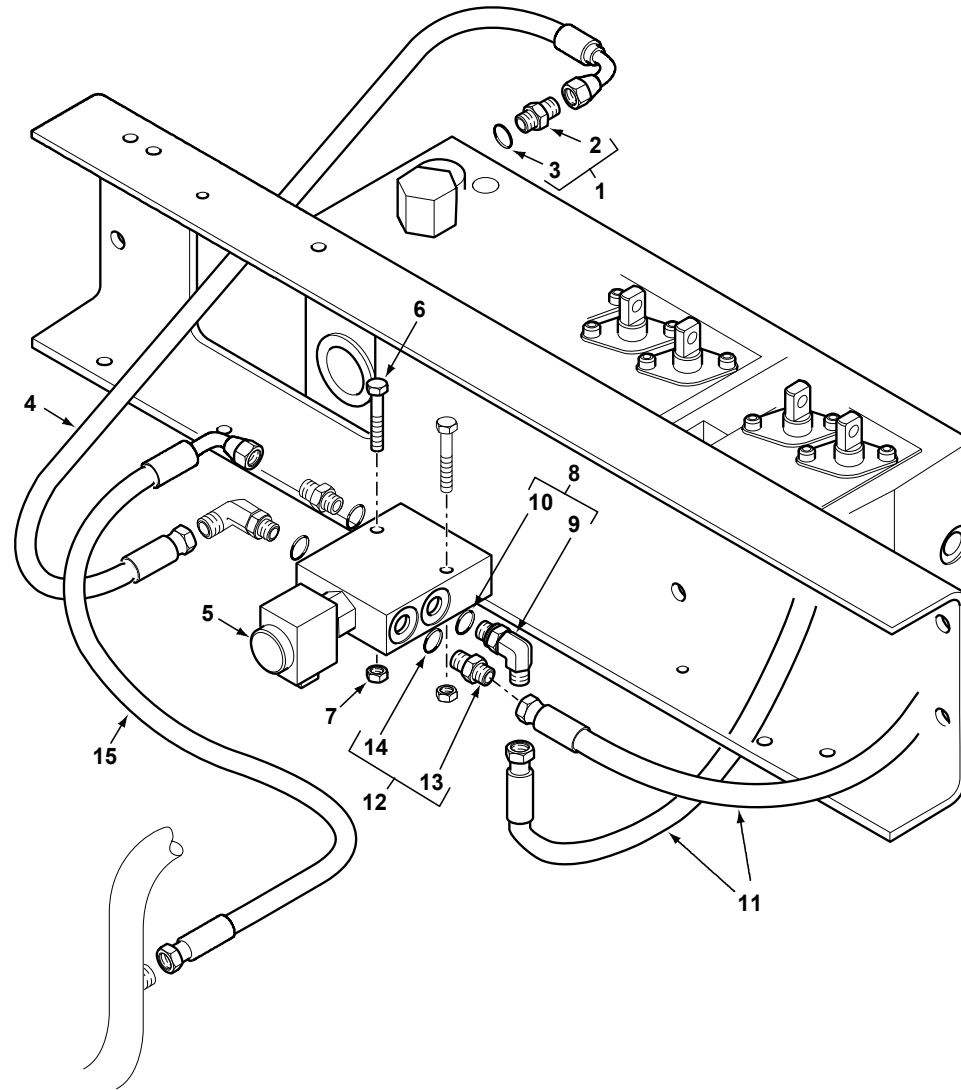
C-90002-01.1-A



Item	Part No.	Qty.	English	French	German	Spanish	Remarks
1	3516519M94	2	Pin & Plate 45-322,5	Axe	Bolzen	Pasador	
2	3501790M1	2	Washer M46-65-5 Z	Rondelle	Scheibe	Arandela	
3	3516522M91	2	Pin Safety Linch	Goupille D´Arrêt	Klappstecker	Pasador De Parada	
4	6102923M91	2	Hose - Digger Q/Attach., Miller	Flexible	Schlauch Kpl	Flexible, Conj.	
5	356612X1	2	Nut 7/16" Unf	Ecrou Unf	Mutter 7/16" Unf	Tuerca	
6	371089X1	2	Elbow 45 Deg	Coude, 45	Kniestück, 45°	Codo, 45°	
7	6106086M91	2	Hose-Miller Q/Attach Hyd.	Flexible Ass.	Schlauch Kpl	Flexible, Conj.	
8	#HOSE ASSY	2	Hose Assy	Hose Assy	Hose Assy	Hose Assy	90002c02.1 11
9	3517732M1	1	Clip, Hose	Collier Durit	Schlauchschelle	Argolla De Fijación	
10	D142787	1	Saddle (See 142787d)	Selle	Sattel	Bloque De Caucho	
11	1664405M1	6	Tie Mm T50s	Attache Cable	Kabelbinder	Enlace De Cable	
12	3517731M1	1	Clamp-Hose	Bride Pour Tutaux	Schlauchschelle	Argolla De Fijación	
13	D142787	1	Saddle (See 142787d)	Selle	Sattel	Bloque De Caucho	
14	515-22127	4	Clip-Coated P	Collier De Fixation	Befestigungsschelle	Argolla De Fijación	
15	6101777M91	1	Cover Assy. - Switch Operating	Cache	Abdeckung	Tapa	
16	6102490M1	1	Relay-Micro	Relais	Relais	Relé	
17	218-772	2	Plug-37deg Flared Tube	Bouchon	Stopfen	Tapón	

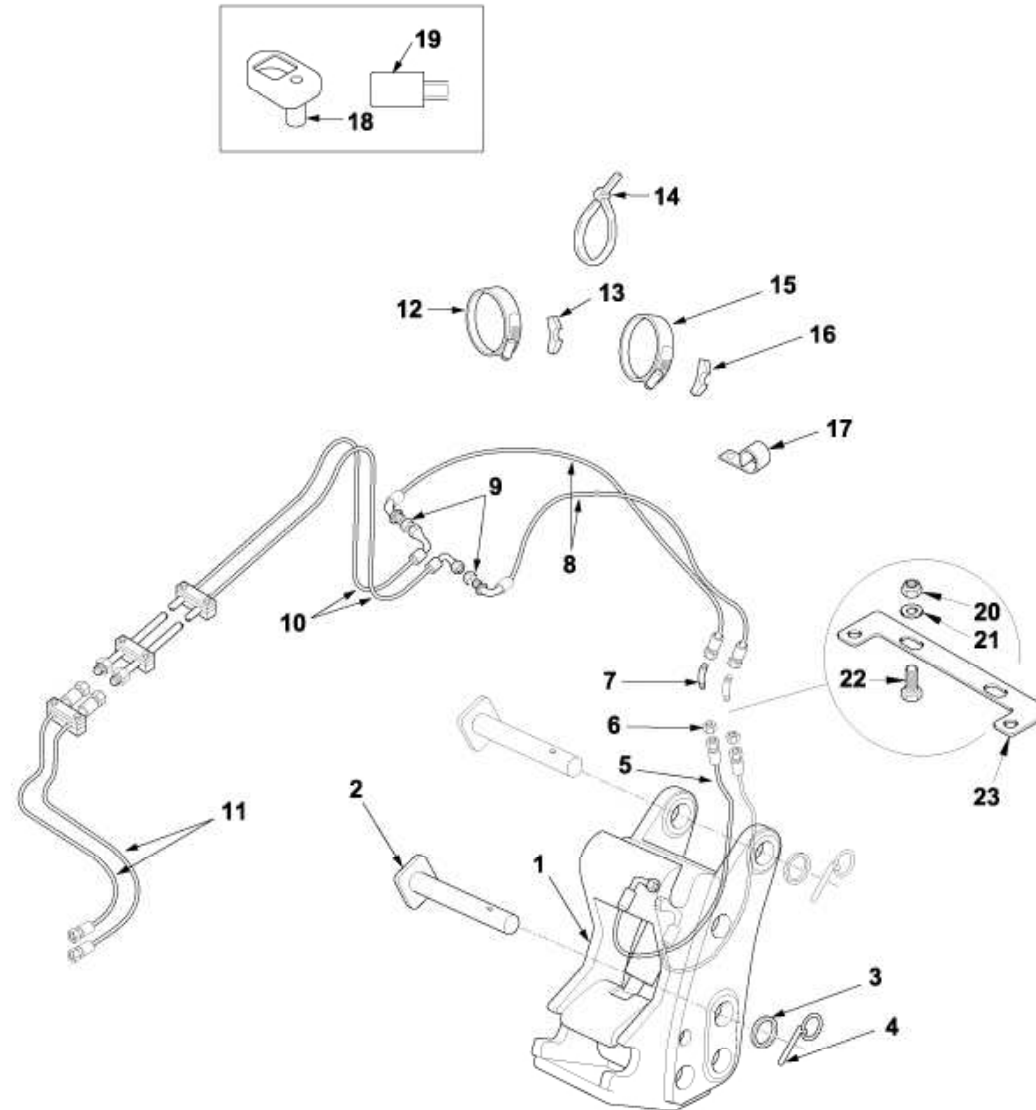


C-90002-02.1-A



Item	Part No.	Qty.	English	French	German	Spanish	Remarks
1	365830X91	1	Connector	Adaptateur	Reduziernippel	Unión	
2	#UNION	1	Union	Union	Union	Union	Ref. 1
3	#O-RING	1	O-Ring	Joint Torique	O-Ring	Junta Tórica	
4	6109910M91	1	Hose Assy - Q/A Feed	Flexible Ass.	Schlauch Kpl	Flexible, Conj.	
5	6106011M91	1	Valve-Digger Quick Attach.	Électrovalve	Magnetventil	Electroválvula	90002c03.1
6	391244X1	2	Bolt M6-45 Z5s	Goupille	Bolzen - M6 X 45	Perno	
7	1441500X1	2	Nut M6 Z5 Nyloc	Ecrou	Flachmutter M6	Tuerca De Retención	
8	370807X91	2	Elbow 90 7/16jic9/16or	Coude, 90	Kniestück, 90°	Codo, 90°	
9	#ELBOW	1	Elbow	Elbow	Elbow	Elbow	Ref. 8
10	831452M1	1	O Ring (Pack Of 10)	Joint Torique	O Ring	Junta De Tipo O	
11	6102806M91	1	Hose-Quick Attach	Flexible Ass.	Schlauch Kpl	Flexible, Conj.	Yellow
11	6111273M91	1	Hose Assembly - Q/Attach	Ensemble Durit	Schlauch Kpl	Flexible, Conj.	
12	365065X91	2	Connector 7/16x9/16	Borne	Doppelnippel	Unión	
13	#UNION	1	Union	Union	Union	Union	Ref. 12
14	831452M1	1	O Ring (Pack Of 10)	Joint Torique	O Ring	Junta De Tipo O	
15	3519226M91	1	Hose Assy	Flexible Ass.	Schlauch Kpl	Flexible, Conj.	

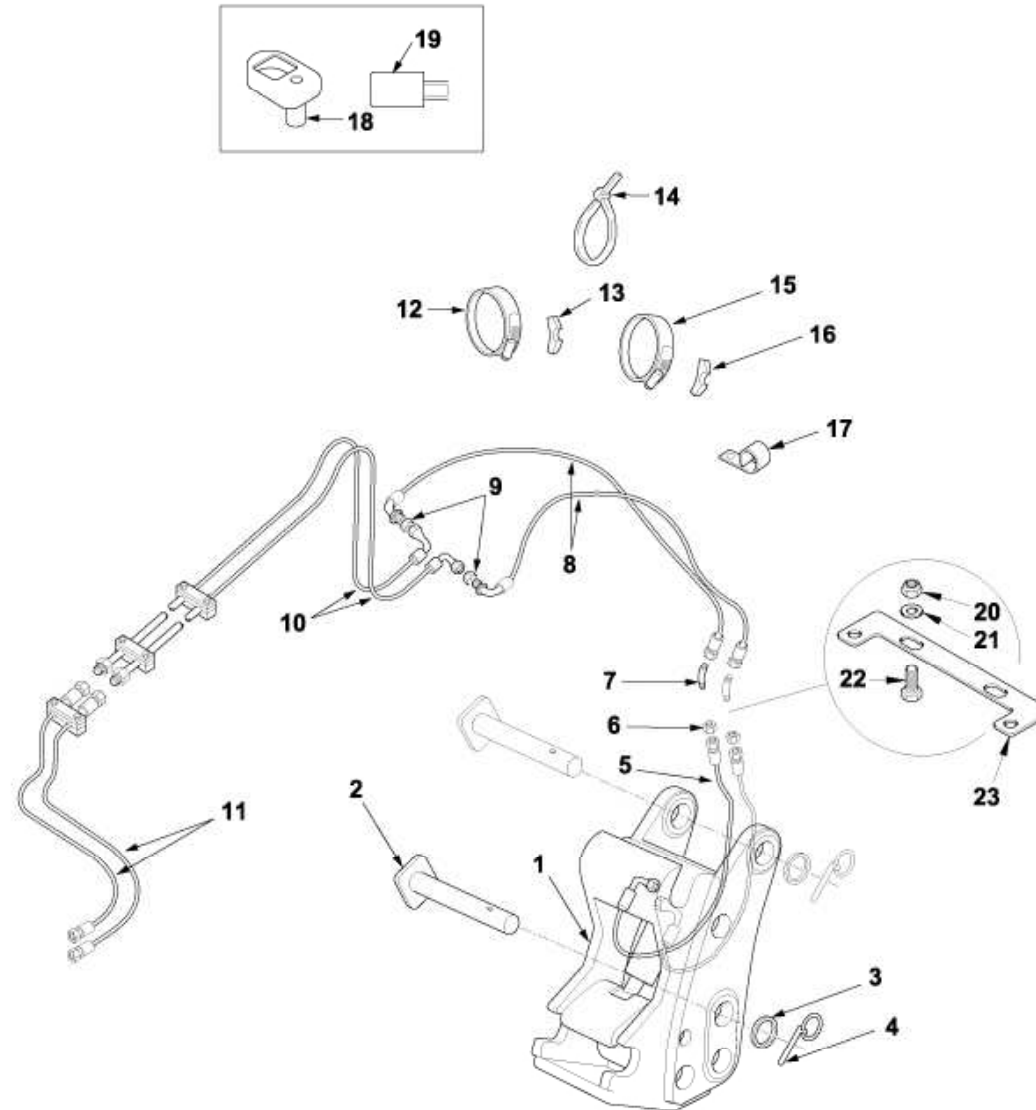
C-90003-01.1-B



Item	Part No.	Qty.	English	French	German	Spanish	Remarks
1	6106011M91	1	Valve-Digger Quick Attach.	Électrovalve	Magnetventil	Electroválvula	90002c02.1 5
2	#BODY	1	Body	Body	Body	Body	Ref. 1
3	6193020M91	1	Cartridge Assy	Cartouche Ass.	Einsatz Kplt	Solenóide, Conj.	
4	#NUT	1	Nut	Ecrou	Mutter	Tuerca	Ref. 3
5	#CARTRIDGE	1	Cartridge	Cartridge	Cartridge	Cartridge	Ref. 3
6	6193022M91	1	Kit Seal	Jeu Étanchéité	Dichtringsatz	Juego De Juntas	
7	6191096M91	1	Coil Assy.	Bobine	Wicklung, Spule	Bobina	
8	6193021M1	1	Restrictor	Réduction	Reduzierstück	Reducción	



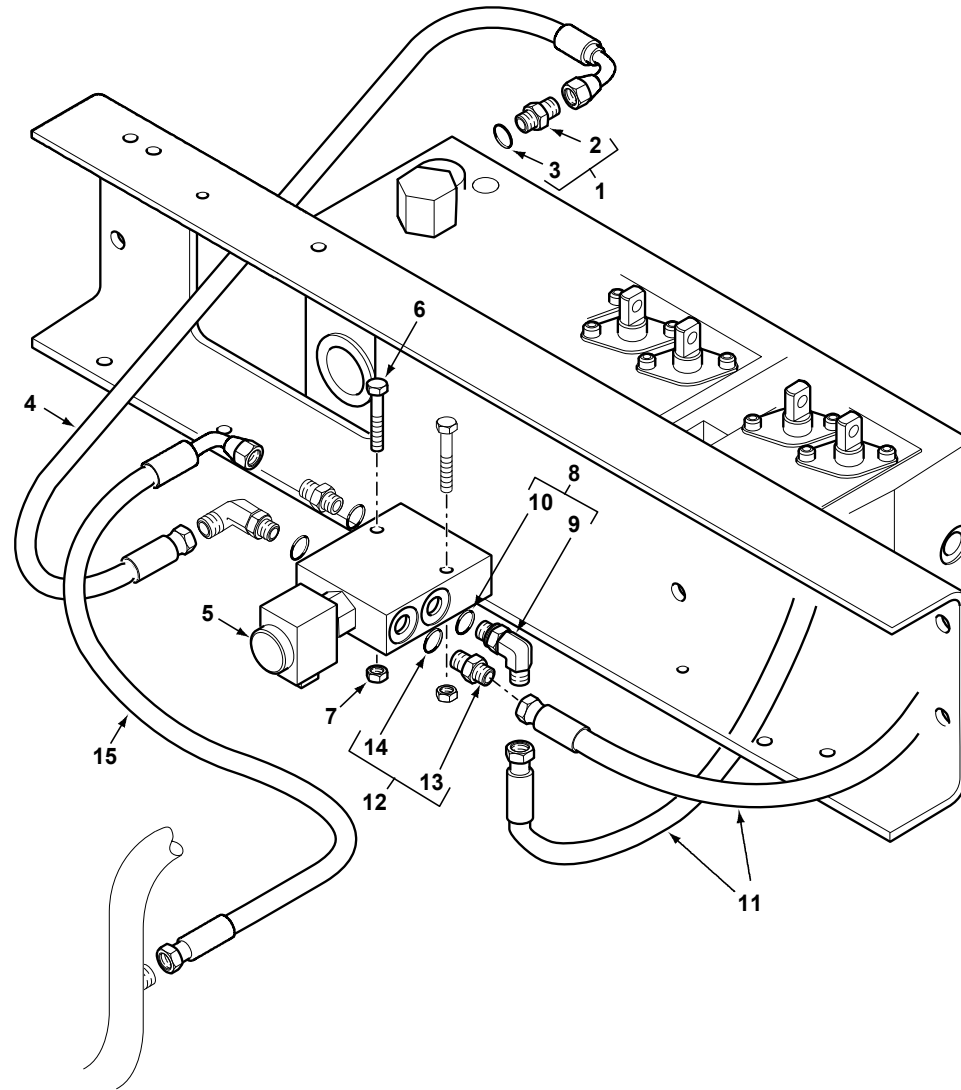
C-90003-01.1-B



Item	Part No.	Qty.	English	French	German	Spanish	Remarks
1	6108811M92	1	Miller Quick Attach Assy. (Digger) [Not For Sale In Uk]	Ensem. D&Attel. Rapi	Schnellkupplung Kpl	Engan. Rápido, Conj.	90003c04.1 1
2	3516519M94	2	Pin & Plate 45-322,5	Axe	Bolzen	Pasador	
3	3501790M1	2	Washer M46-65-5 Z	Rondelle	Scheibe	Arandela	
4	3516522M91	2	Pin Safety Linch	Goupille D´Arrêt	Klappstecker	Pasador De Parada	
5	6102923M91	2	Hose - Digger Q/Attach., Miller	Flexible	Schlauch Kpl	Flexible, Conj.	
6	356612X1	2	Nut 7/16" Unf	Ecrou Unf	Mutter 7/16" Unf	Tuerca	
7	371089X1	2	Elbow 45 Deg	Coude, 45	Kniestück, 45°	Codo, 45°	
8	6102922M92	2	Hose-Miller Q/Attach Hyd.	Ensemble Durit	Schlauch Kpl	Flexible, Conj.	
9	356612X1	2	Nut 7/16" Unf	Ecrou Unf	Mutter 7/16" Unf	Tuerca	
10	6111272M91	1	Hose Assembly - Q/Attach Boom	Ensemble Durit	Schlauch Kpl	Flexible, Conj.	Black
10	3521945M95	1	Hose Assy. - Digger Quick Attach	Flexible Ass.	Schlauch Kpl	Flexible, Conj.	Yellow
11	#HOSE ASSY	2	Hose Assy	Hose Assy	Hose Assy	Hose Assy	90003c02.1 11
12	3517732M1	1	Clip, Hose	Collier Durit	Schlauchschelle	Argolla De Fijación	
13	D142787	1	Saddle (See 142787d)	Selle	Sattel	Bloque De Caucho	
14	1664405M1	6	Tie Mm T50s	Attache Cable	Kabelbinder	Enlace De Cable	
15	3517731M1	1	Clamp-Hose	Bride Pour Tutaux	Schlauchschelle	Argolla De Fijación	
16	D142787	1	Saddle (See 142787d)	Selle	Sattel	Bloque De Caucho	
17	515-22127	4	Clip-Coated P	Collier De Fixation	Befestigungsschelle	Argolla De Fijación	
18	6101777M91	1	Cover Assy. - Switch Operating	Cache	Abdeckung	Tapa	
19	6102490M1	1	Relay-Micro	Relais	Relais	Relé	
20	1440329X1	2	Nut, Hex. - Nyloc, M10	Ecrou Blocage	Flachmutter M10	Tuerca De Retención	
21	390597X1	2	Washer, Large - M10	Rondelle	Scheible	Arandela	
22	3009492X1	2	Bolt - Hex. M10 X 25	Boulon M10 X 25	Schraube M10 X 25	Tornillo	
23	6112498M1	1	Bracket	Support Fixation	Haltearm	Pata De Fijación	

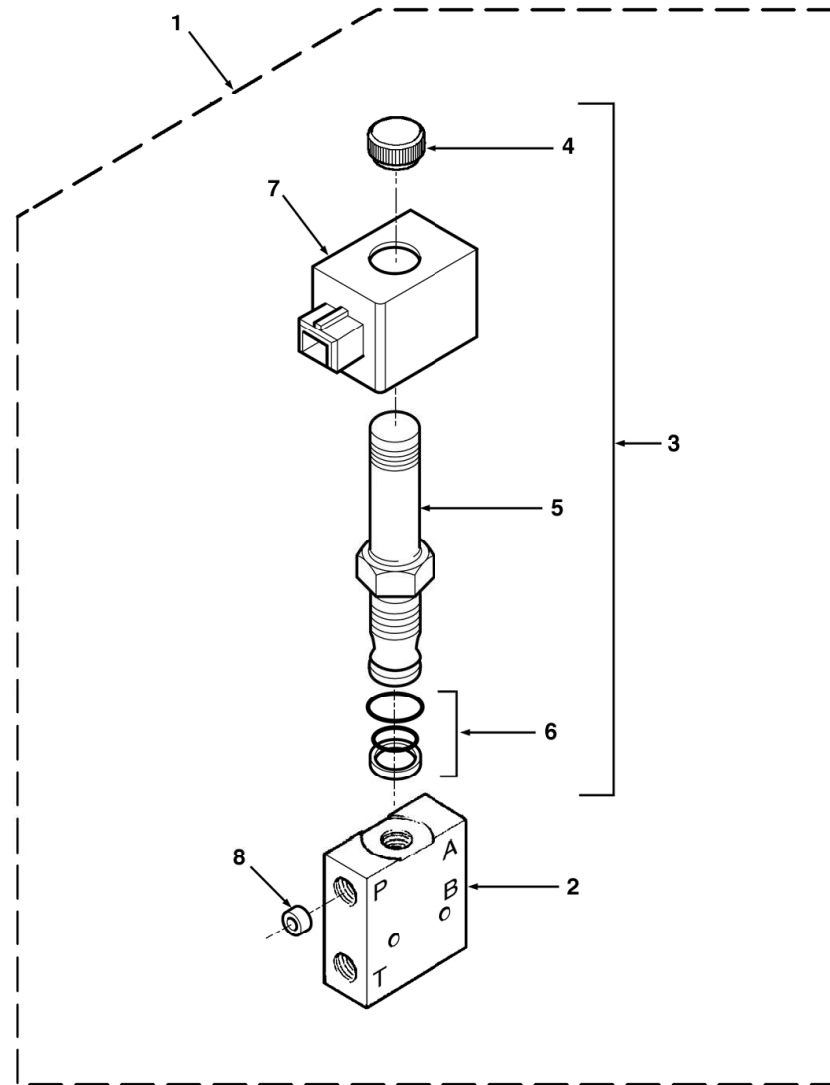


C-90003-02.1-A



Item	Part No.	Qty.	English	French	German	Spanish	Remarks
1	365830X91	1	Connector	Adaptateur	Reduziernippel	Unión	
2	#UNION	1	Union	Union	Union	Union	Ref. 1
3	#O-RING	1	O-Ring	Joint Torique	O-Ring	Junta Tórica	
4	6109910M91	1	Hose Assy - Q/A Feed	Flexible Ass.	Schlauch Kpl	Flexible, Conj.	
5	6106011M91	1	Valve-Digger Quick Attach.	Électrovalve	Magnetventil	Electroválvula	98003c03.1
6	391244X1	2	Bolt M6-45 Z5s	Goupille	Bolzen - M6 X 45	Perno	
7	1441500X1	2	Nut M6 Z5 Nyloc	Ecrou	Flachmutter M6	Tuerca De Retención	
8	370807X91	2	Elbow 90 7/16jic9/16or	Coude, 90	Kniestück, 90°	Codo, 90°	
9	#ELBOW	1	Elbow	Elbow	Elbow	Elbow	Ref. 8
10	831452M1	1	O Ring (Pack Of 10)	Joint Torique	O Ring	Junta De Tipo O	
11	6102806M91	1	Hose-Quick Attach	Flexible Ass.	Schlauch Kpl	Flexible, Conj.	Yellow
11	6111273M91	1	Hose Assembly - Q/Attach	Ensemble Durit	Schlauch Kpl	Flexible, Conj.	
12	365065X91	2	Connector 7/16x9/16	Borne	Doppelnippel	Unión	
13	#UNION	1	Union	Union	Union	Union	Ref. 12
14	831452M1	1	O Ring (Pack Of 10)	Joint Torique	O Ring	Junta De Tipo O	
15	3519226M91	1	Hose Assy	Flexible Ass.	Schlauch Kpl	Flexible, Conj.	

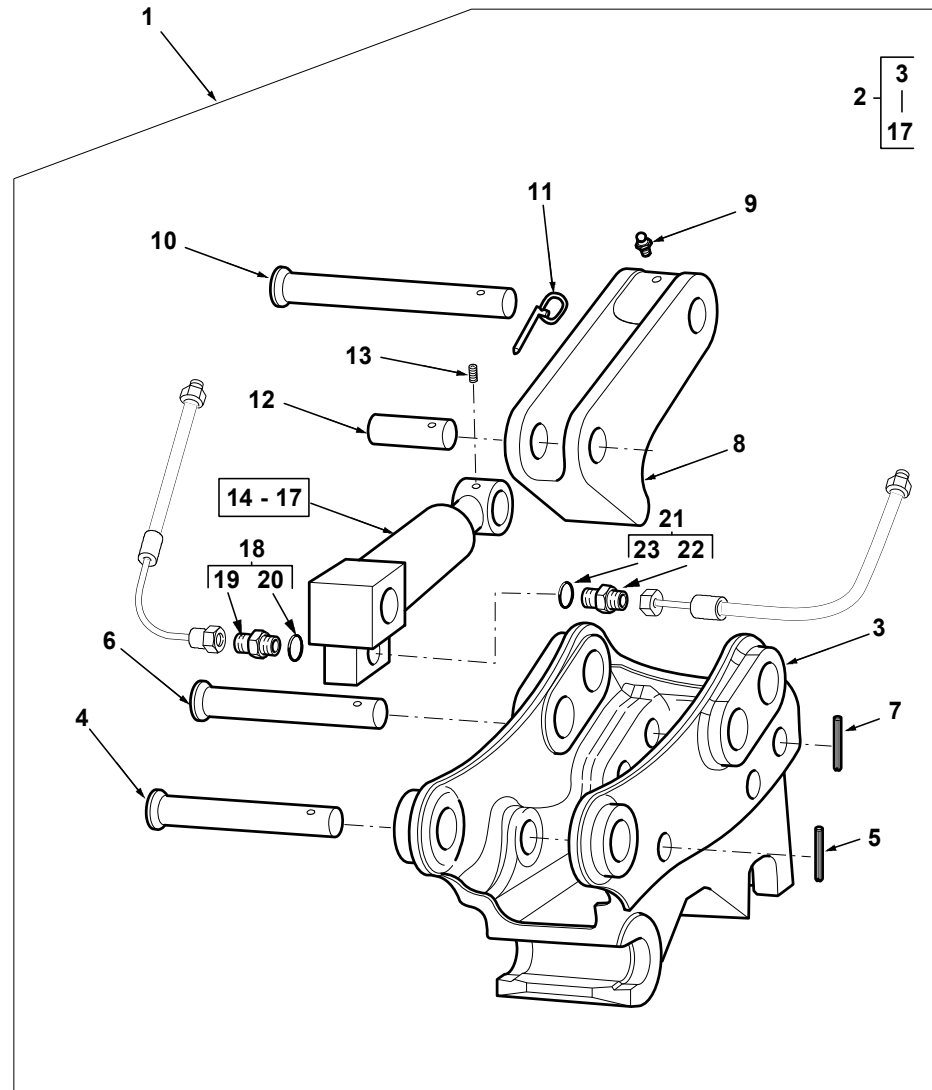
C-90003-03.1-A



Item	Part No.	Qty.	English	French	German	Spanish	Remarks
1	6106011M91	1	Valve-Digger Quick Attach.	Électrovalve	Magnetventil	Electroválvula	90003c02.1 5
2	#BODY	1	Body	Body	Body	Body	Ref. 1
3	6193020M91	1	Cartridge Assy	Cartouche Ass.	Einsatz Kplt	Solenoido, Conj.	
4	#NUT	1	Nut	Ecrou	Mutter	Tuerca	Ref. 3
5	#CARTRIDGE	1	Cartridge	Cartridge	Cartridge	Cartridge	Ref. 3
6	6193022M91	1	Kit Seal	Jeu Étanchéité	Dichtringsatz	Juego De Juntas	
7	6191096M91	1	Coil Assy.	Bobine	Wicklung, Spule	Bobina	
8	6193021M1	1	Restrictor	Réduction	Reduzierstück	Reducción	



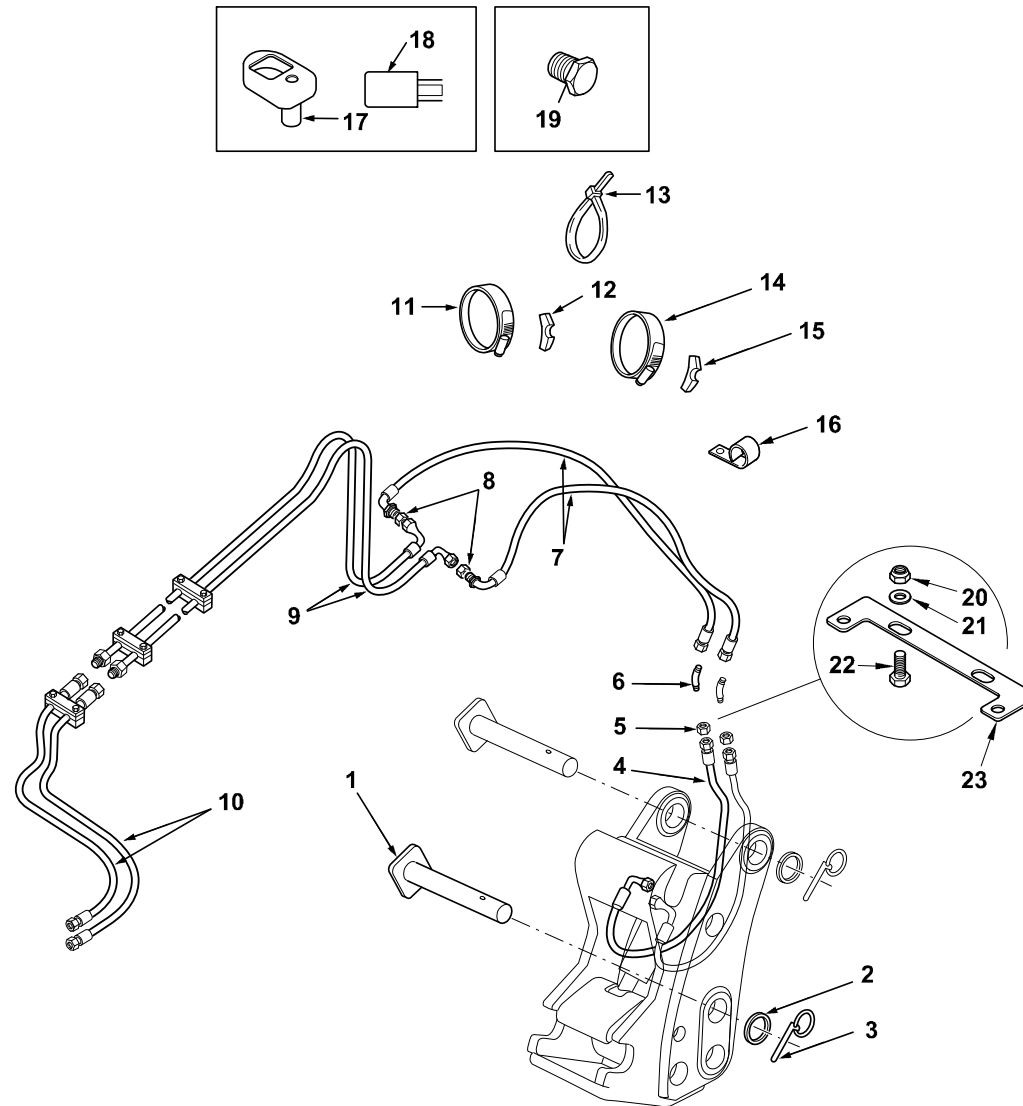
C-90003-04.1-A



Item	Part No.	Qty.	English	French	German	Spanish	Remarks
1	6108811M92	1	Miller Quick Attach Assy. (Digger) [Not For Sale In Uk]	Ensem. D&Attel. Rapi	Schnellkupplung Kpl	Engan. Rápido, Conj.	
2	6102976M91	1	Quick Attach Assy. - Dig. Bucket, Miller	Ensem. D&Attel. Rapi	Schnellkupplung Kpl	Engan. Rápido, Conj.	
3	6193009M1	1	Cast Body	Corps	Körper	Cuerpo	
4	6193013M1	1	Pin Cylinder	Axe	Bolzen	Pasador	
5	6193016M1	1	Pin Large	Axe	Bolzen	Pasador Elástico	
6	6193012M1	1	Pin Hook	Axe	Bolzen	Pasador	
7	6193016M1	1	Pin Large	Axe	Bolzen	Pasador Elástico	
8	6193010M1	1	Cast Hook	Crochet	Haken	Gancho	
9	6193018M1	1	Grease Nipple	Nipple De Graissage	Schmiernippel	Engrasador	
10	6193015M1	1	Pin Safety	Axe	Bolzen	Pasador	
11	6193017M1	1	Pin Lynch	Goupille D´Arrêt	Klappstecker	Pasador De Parada	
12	6193014M1	1	Pin Ram/Hook	Axe	Bolzen	Pasador	
13	6193019M1	1	Grub Screw	Vis Sans Tête	Gewindestift	Tornillo	
14	6193011M91	1	Cylinder Assy.	Vérin Ass.	Zylinder Kplt	Gato, Conj.	
15	6193577M91	1	Check Valve	Clapet Anti-Retour	Ventil, Rückschlag-	Válvula De Parada	
16	6193578M91	1	Kit Seal-Check Valve	Jeu Étanchéité	Dichtringsatz	Juego De Juntas	
17	6193576M91	1	Kit Seal	Jeu Étanchéité	Dichtringsatz	Juego De Juntas	
18	358741X91	1	Union, Hydr.	Raccord	Verschraubung	Racor	
19	#UNION	1	Union	Union	Union	Union	Ref. 18
20	831495M1	1	O-Ring	Joint Torique	O-Ring	Junta De Tipo O	
21	6106088M91	1	Connector, Hydraulic	Borne	Doppelnippel	Conector	
22	#UNION	1	Union	Union	Union	Union	Ref. 21
23	#O-RING	1	O-Ring	Joint Torique	O-Ring	Junta Tórica	



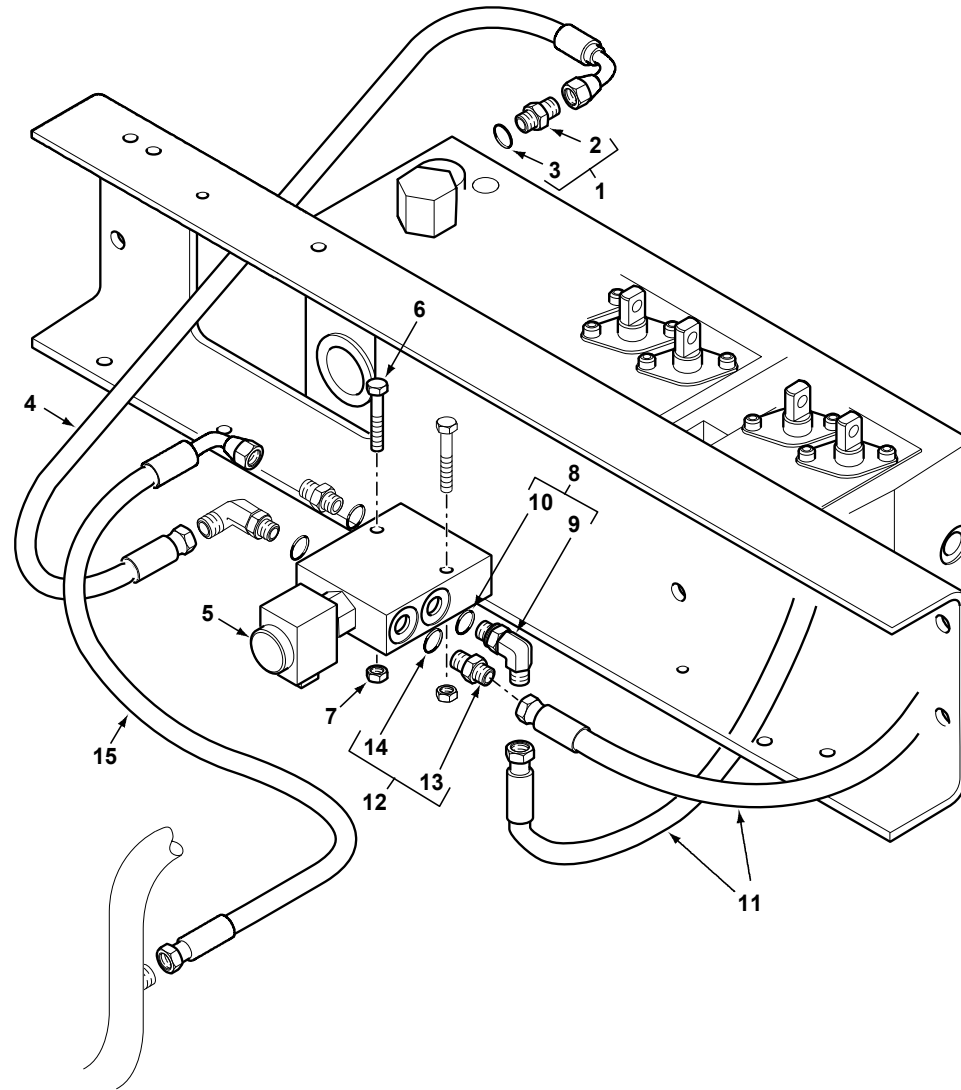
C-90004-01.1-B



Item	Part No.	Qty.	English	French	German	Spanish	Remarks
1	3516519M94	2	Pin & Plate 45-322,5	Axe	Bolzen	Pasador	
2	3501790M1	2	Washer M46-65-5 Z	Rondelle	Scheibe	Arandela	
3	3516522M91	2	Pin Safety Linch	Goupille D´Arrêt	Klappstecker	Pasador De Parada	
4	6102923M91	2	Hose - Digger Q/Attach., Miller	Flexible	Schlauch Kpl	Flexible, Conj.	
5	356612X1	2	Nut 7/16" Unf	Ecrou Unf	Mutter 7/16" Unf	Tuerca	
6	371089X1	2	Elbow 45 Deg	Coude, 45	Kniestück, 45°	Codo, 45°	
7	6102922M92	2	Hose-Miller Q/Attach Hyd.	Ensemble Durit	Schlauch Kpl	Flexible, Conj.	
8	356612X1	2	Nut 7/16" Unf	Ecrou Unf	Mutter 7/16" Unf	Tuerca	
9	3521945M95	1	Hose Assy. - Digger Quick Attach	Flexible Ass.	Schlauch Kpl	Flexible, Conj.	Yellow
9	6111272M91	1	Hose Assembly - Q/Attach Boom	Ensemble Durit	Schlauch Kpl	Flexible, Conj.	Black
10	#HOSE ASSY	2	Hose Assy	Hose Assy	Hose Assy	Hose Assy	90004c02.1 11
11	3517732M1	1	Clip, Hose	Collier Durit	Schlauchschelle	Argolla De Fijación	
12	D142787	1	Saddle (See 142787d)	Selle	Sattel	Bloque De Caucho	
13	1664405M1	6	Tie Mm T50s	Attache Cable	Kabelbinder	Enlace De Cable	
14	3517731M1	1	Clamp-Hose	Bride Pour Tutaux	Schlauchschelle	Argolla De Fijación	
15	D142787	1	Saddle (See 142787d)	Selle	Sattel	Bloque De Caucho	
16	515-22127	4	Clip-Coated P	Collier De Fixation	Befestigungsschelle	Argolla De Fijación	
17	6101777M91	1	Cover Assy. - Switch Operating	Cache	Abdeckung	Tapa	
18	6102490M1	1	Relay-Micro	Relais	Relais	Relé	
19	218-772	2	Plug-37deg Flared Tube	Bouchon	Stopfen	Tapón	
20	1440329X1	2	Nut, Hex. - Nyloc, M10	Ecrou Blocage	Flachmutter M10	Tuerca De Retención	
21	390597X1	2	Washer, Large - M10	Rondelle	Scheibe	Arandela	
22	3009492X1	2	Bolt - Hex. M10 X 25	Boulon M10 X 25	Schraube M10 X 25	Tornillo	
23	6112498M1	1	Bracket	Support Fixation	Haltearm	Pata De Fijación	



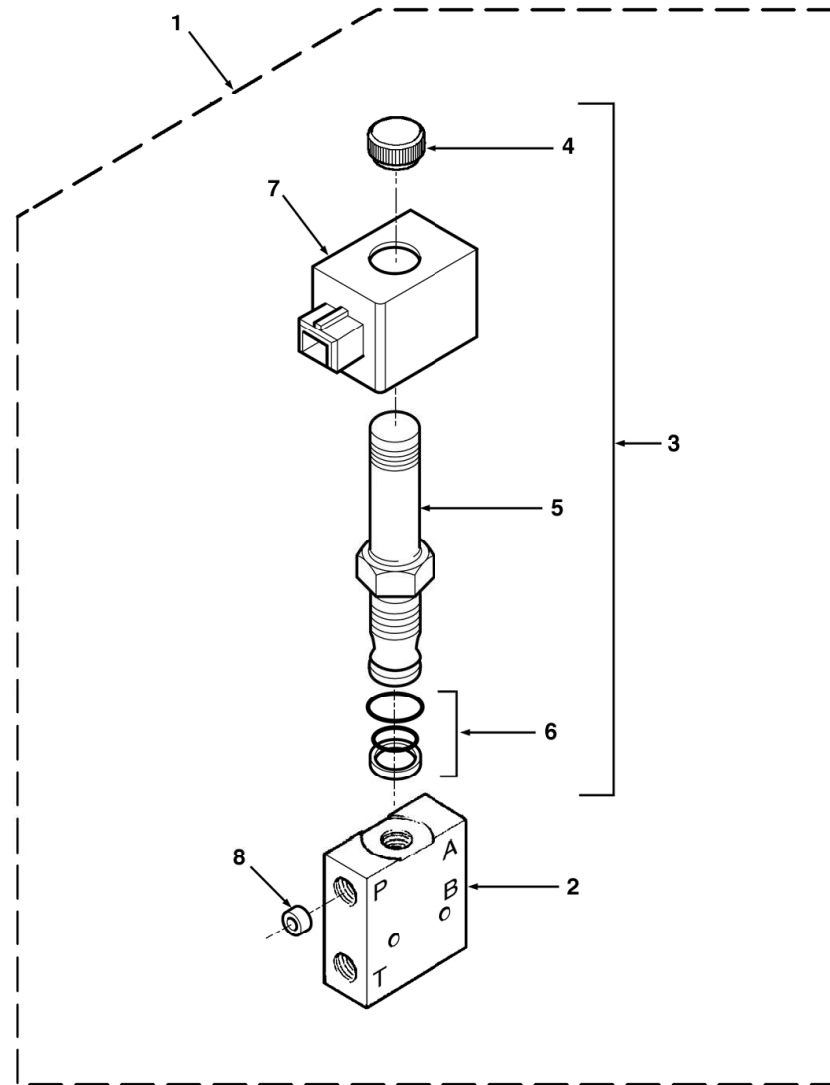
C-90004-02.1-A



Item	Part No.	Qty.	English	French	German	Spanish	Remarks
1	365830X91	1	Connector	Adaptateur	Reduziernippel	Unión	
2	#UNION	1	Union	Union	Union	Union	Ref. 1
3	#O-RING	1	O-Ring	Joint Torique	O-Ring	Junta Tórica	
4	6109910M91	1	Hose Assy - Q/A Feed	Flexible Ass.	Schlauch Kpl	Flexible, Conj.	
5	6106011M91	1	Valve-Digger Quick Attach.	Électrovalve	Magnetventil	Electroválvula	98004c03.1
6	391244X1	2	Bolt M6-45 Z5s	Goupille	Bolzen - M6 X 45	Perno	
7	1441500X1	2	Nut M6 Z5 Nyloc	Ecrou	Flachmutter M6	Tuerca De Retención	
8	370807X91	2	Elbow 90 7/16jic9/16or	Coude, 90	Kniestück, 90°	Codo, 90°	
9	#ELBOW	1	Elbow	Elbow	Elbow	Elbow	Ref. 8
10	831452M1	1	O Ring (Pack Of 10)	Joint Torique	O Ring	Junta De Tipo O	
11	6102806M91	1	Hose-Quick Attach	Flexible Ass.	Schlauch Kpl	Flexible, Conj.	Yellow
11	6111273M91	1	Hose Assembly - Q/Attach	Ensemble Durit	Schlauch Kpl	Flexible, Conj.	
12	365065X91	2	Connector 7/16x9/16	Borne	Doppelnippel	Unión	
13	#UNION	1	Union	Union	Union	Union	Ref. 12
14	831452M1	1	O Ring (Pack Of 10)	Joint Torique	O Ring	Junta De Tipo O	
15	3519226M91	1	Hose Assy	Flexible Ass.	Schlauch Kpl	Flexible, Conj.	



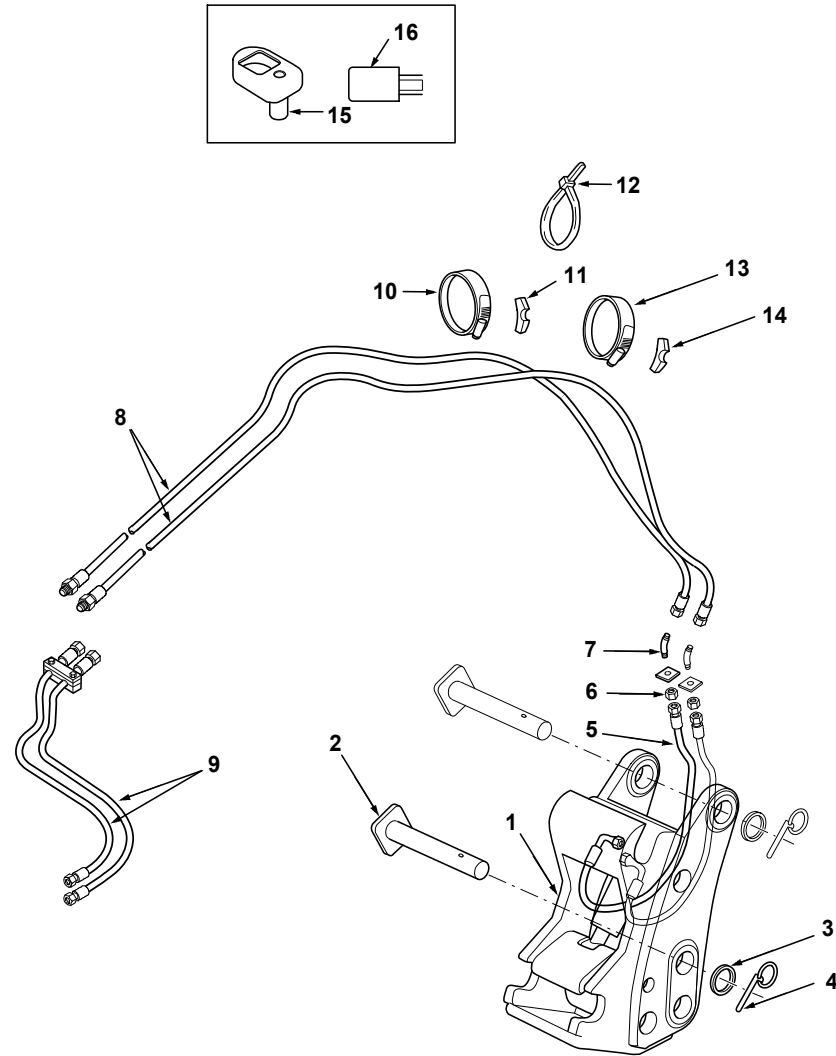
C-90004-03.1-A



Item	Part No.	Qty.	English	French	German	Spanish	Remarks
1	6106011M91	1	Valve-Digger Quick Attach.	Électrovalve	Magnetventil	Electroválvula	90004c02.1 5
2	#BODY	1	Body	Body	Body	Body	Ref. 1
3	6193020M91	1	Cartridge Assy	Cartouche Ass.	Einsatz Kplt	Solenoido, Conj.	
4	#NUT	1	Nut	Ecrou	Mutter	Tuerca	Ref. 3
5	#CARTRIDGE	1	Cartridge	Cartridge	Cartridge	Cartridge	Ref. 3
6	6193022M91	1	Kit Seal	Jeu Étanchéité	Dichtringsatz	Juego De Juntas	
7	6191096M91	1	Coil Assy.	Bobine	Wicklung, Spule	Bobina	
8	6193021M1	1	Restrictor	Réduction	Reduzierstück	Reducción	



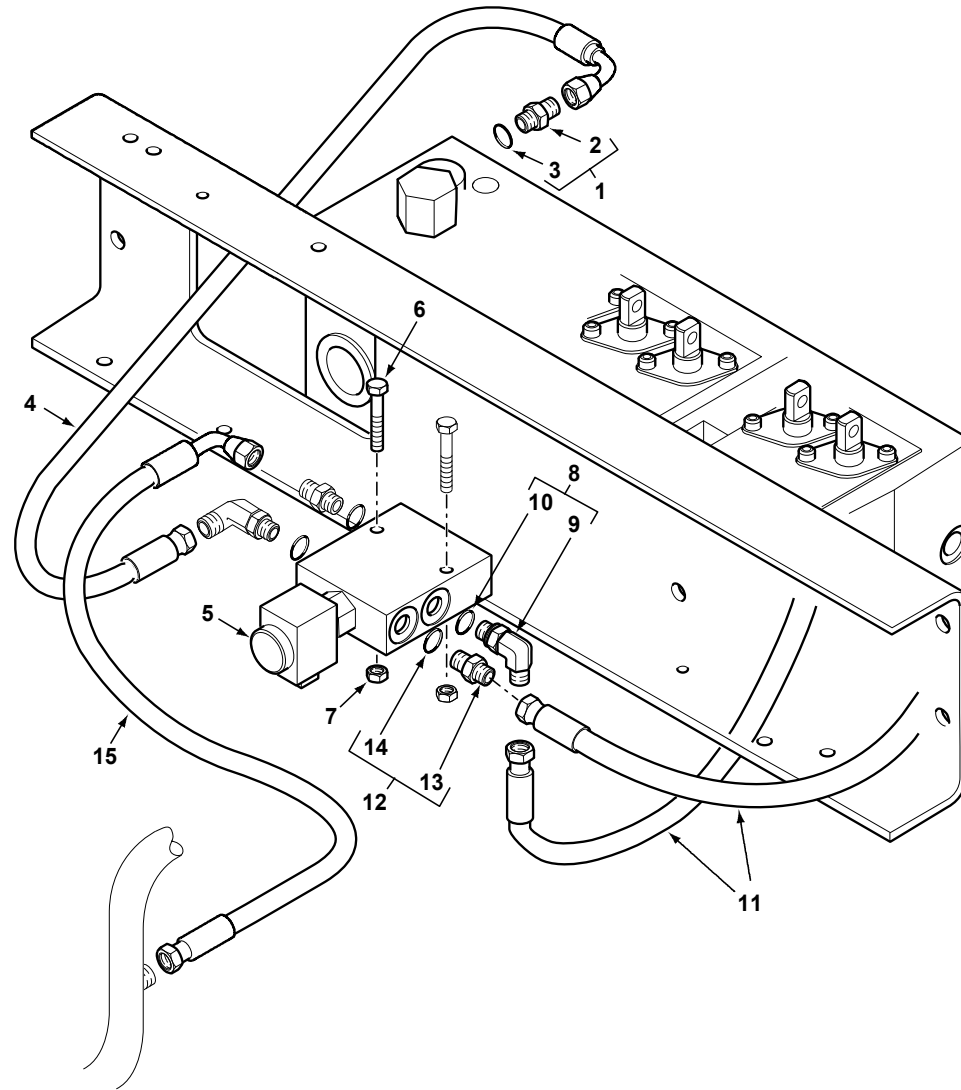
C-90005-01.1-A



Item	Part No.	Qty.	English	French	German	Spanish	Remarks
1	6108811M92	1	Miller Quick Attach Assy. (Digger) [Not For Sale In Uk]	Ensem. D&Attel. Rapi	Schnellkupplung Kpl	Engan. Rápido, Conj.	90005c04.1 1
2	3516519M94	2	Pin & Plate 45-322,5	Axe	Bolzen	Pasador	
3	3501790M1	2	Washer M46-65-5 Z	Rondelle	Scheibe	Arandela	
4	3516522M91	2	Pin Safety Linch	Goupille D´Arrêt	Klappstecker	Pasador De Parada	
5	6102923M91	2	Hose - Digger Q/Attach., Miller	Flexible	Schlauch Kpl	Flexible, Conj.	
6	356612X1	2	Nut 7/16" Unf	Ecrou Unf	Mutter 7/16" Unf	Tuerca	
7	371089X1	2	Elbow 45 Deg	Coude, 45	Kniestück, 45°	Codo, 45°	
8	6106086M91	2	Hose-Miller Q/Attach Hyd.	Flexible Ass.	Schlauch Kpl	Flexible, Conj.	
9	#HOSE ASSY	2	Hose Assy	Hose Assy	Hose Assy	Hose Assy	90005c02.1 11
10	3517732M1	1	Clip, Hose	Collier Durit	Schlauchschelle	Argolla De Fijación	
11	D142787	1	Saddle (See 142787d)	Selle	Sattel	Bloque De Caucho	
12	1664405M1	6	Tie Mm T50s	Attache Cable	Kabelbinder	Enlace De Cable	
13	3517731M1	1	Clamp-Hose	Bride Pour Tutaux	Schlauchschelle	Argolla De Fijación	
14	D142787	1	Saddle (See 142787d)	Selle	Sattel	Bloque De Caucho	
15	6101777M91	1	Cover Assy. - Switch Operating	Cache	Abdeckung	Tapa	
16	6102490M1	1	Relay-Micro	Relais	Relais	Relé	

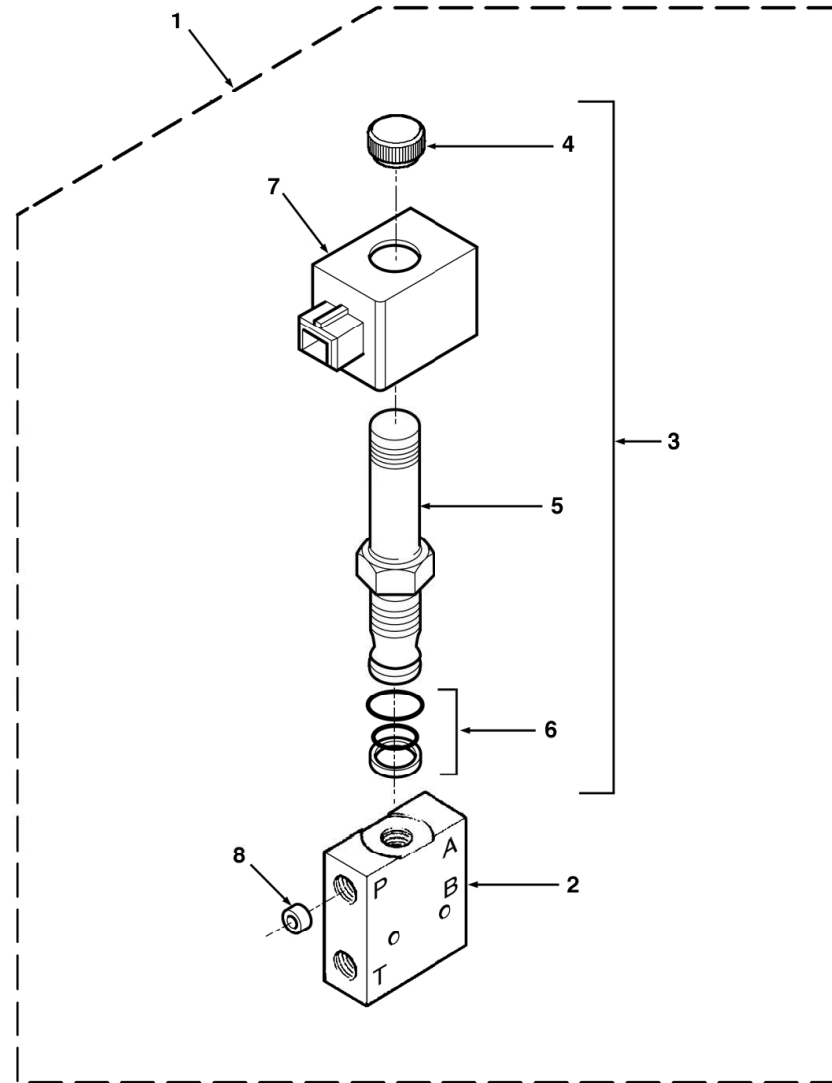


C-90005-02.1-A



Item	Part No.	Qty.	English	French	German	Spanish	Remarks
1	365830X91	1	Connector	Adaptateur	Reduziernippel	Unión	
2	#UNION	1	Union	Union	Union	Union	Ref. 1
3	#O-RING	1	O-Ring	Joint Torique	O-Ring	Junta Tórica	
4	6109910M91	1	Hose Assy - Q/A Feed	Flexible Ass.	Schlauch Kpl	Flexible, Conj.	
5	6106011M91	1	Valve-Digger Quick Attach.	Électrovalve	Magnetventil	Electroválvula	90005c03.1 1
6	391244X1	2	Bolt M6-45 Z5s	Goupille	Bolzen - M6 X 45	Perno	
7	1441500X1	2	Nut M6 Z5 Nyloc	Ecrou	Flachmutter M6	Tuerca De Retención	
8	370807X91	2	Elbow 90 7/16jic9/16or	Coude, 90	Kniestück, 90°	Codo, 90°	
9	#ELBOW	1	Elbow	Elbow	Elbow	Elbow	Ref. 8
10	831452M1	1	O Ring (Pack Of 10)	Joint Torique	O Ring	Junta De Tipo O	
11	3519882M92	2	Hose-(Cm Kit) Q/Attach	Flexible	Schlauch	Flexible, Conj.	
12	365065X91	2	Connector 7/16x9/16	Borne	Doppelnippel	Unión	
13	#UNION	1	Union	Union	Union	Union	Ref. 12
14	831452M1	1	O Ring (Pack Of 10)	Joint Torique	O Ring	Junta De Tipo O	
15	3519226M91	1	Hose Assy	Flexible Ass.	Schlauch Kpl	Flexible, Conj.	

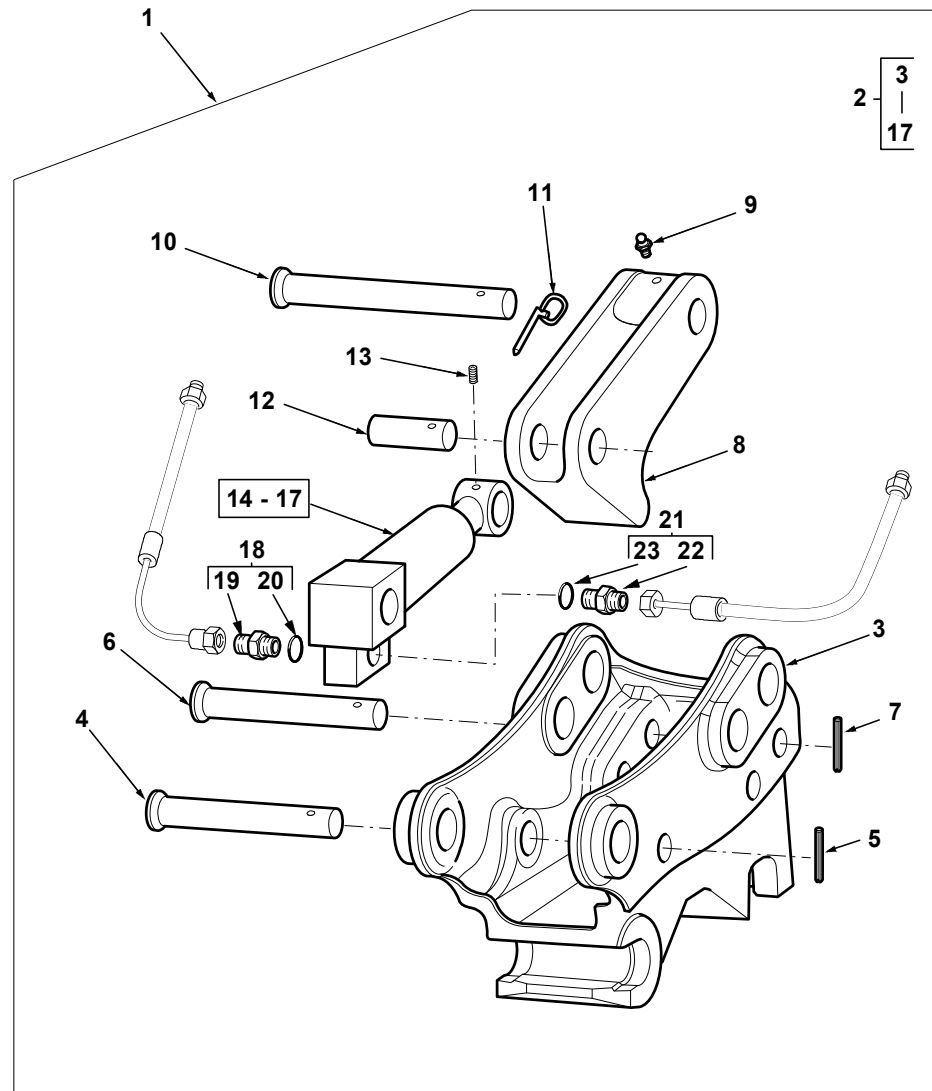
C-90005-03.1-A



Item	Part No.	Qty.	English	French	German	Spanish	Remarks
1	6106011M91	1	Valve-Digger Quick Attach.	Électrovalve	Magnetventil	Electroválvula	90005c02.1 5
2	#BODY	1	Body	Body	Body	Body	Ref. 1
3	6193020M91	1	Cartridge Assy	Cartouche Ass.	Einsatz Kplt	Solenoido, Conj.	
4	#NUT	1	Nut	Ecrou	Mutter	Tuerca	Ref. 3
5	#CARTRIDGE	1	Cartridge	Cartridge	Cartridge	Cartridge	Ref. 3
6	6193022M91	1	Kit Seal	Jeu Étanchéité	Dichtringsatz	Juego De Juntas	
7	6191096M91	1	Coil Assy.	Bobine	Wicklung, Spule	Bobina	
8	6193021M1	1	Restrictor	Réduction	Reduzierstück	Reducción	



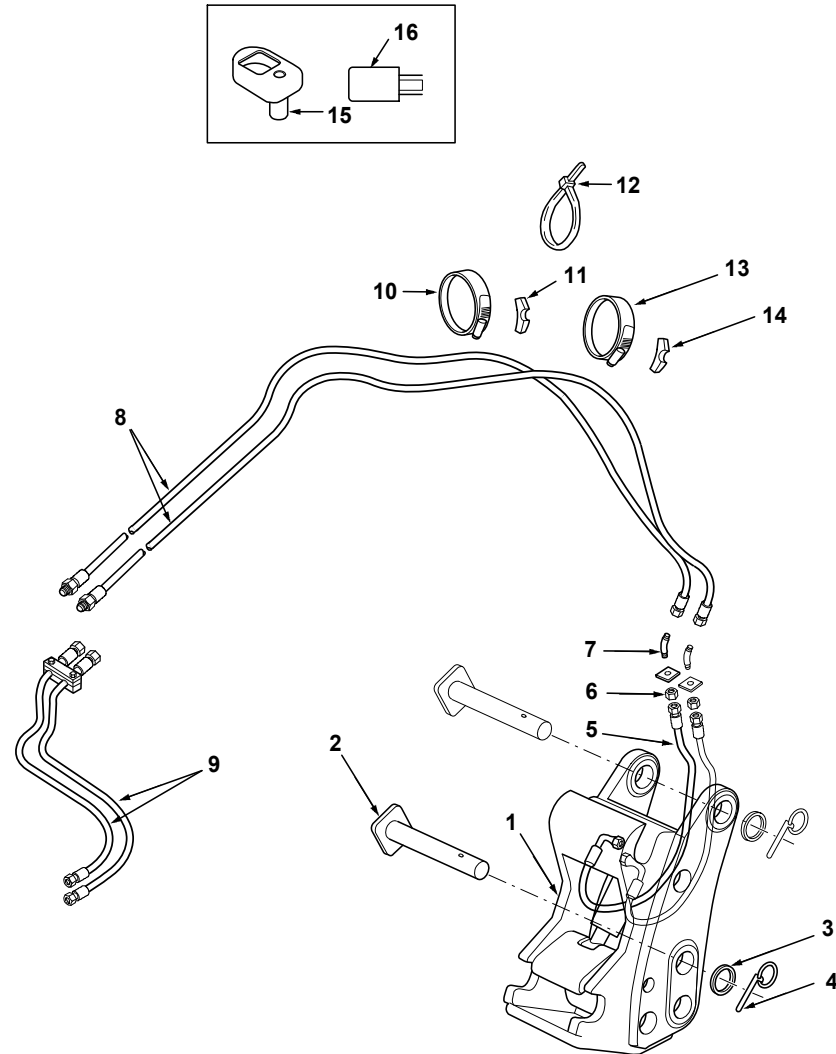
C-90005-04.1-A



Item	Part No.	Qty.	English	French	German	Spanish	Remarks
1	6108811M92	1	Miller Quick Attach Assy. (Digger) [Not For Sale In Uk]	Ensem. D&Attel. Rapi	Schnellkupplung Kpl	Engan. Rápido, Conj.	
2	6102976M91	1	Quick Attach Assy. - Dig. Bucket, Miller	Ensem. D&Attel. Rapi	Schnellkupplung Kpl	Engan. Rápido, Conj.	
3	6193009M1	1	Cast Body	Corps	Körper	Cuerpo	
4	6193013M1	1	Pin Cylinder	Axe	Bolzen	Pasador	
5	6193016M1	1	Pin Large	Axe	Bolzen	Pasador Elástico	
6	6193012M1	1	Pin Hook	Axe	Bolzen	Pasador	
7	6193016M1	1	Pin Large	Axe	Bolzen	Pasador Elástico	
8	6193010M1	1	Cast Hook	Crochet	Haken	Gancho	
9	6193018M1	1	Grease Nipple	Nipple De Graissage	Schmiernippel	Engrasador	
10	6193015M1	1	Pin Safety	Axe	Bolzen	Pasador	
11	6193017M1	1	Pin Lynch	Goupille D´Arrêt	Klappstecker	Pasador De Parada	
12	6193014M1	1	Pin Ram/Hook	Axe	Bolzen	Pasador	
13	6193019M1	1	Grub Screw	Vis Sans Tête	Gewindestift	Tornillo	
14	6193011M91	1	Cylinder Assy.	Vérin Ass.	Zylinder Kplt	Gato, Conj.	
15	6193577M91	1	Check Valve	Clapet Anti-Retour	Ventil, Rückschlag-	Válvula De Parada	
16	6193578M91	1	Kit Seal-Check Valve	Jeu Étanchéité	Dichtringsatz	Juego De Juntas	
17	6193576M91	1	Kit Seal	Jeu Étanchéité	Dichtringsatz	Juego De Juntas	
18	358741X91	1	Union, Hydr.	Raccord	Verschraubung	Racor	
19	#UNION	1	Union	Union	Union	Union	Ref. 18
20	831495M1	1	O-Ring	Joint Torique	O-Ring	Junta De Tipo O	
21	6106088M91	1	Connector, Hydraulic	Borne	Doppelnippel	Conector	
22	#UNION	1	Union	Union	Union	Union	Ref. 21
23	#O-RING	1	O-Ring	Joint Torique	O-Ring	Junta Tórica	



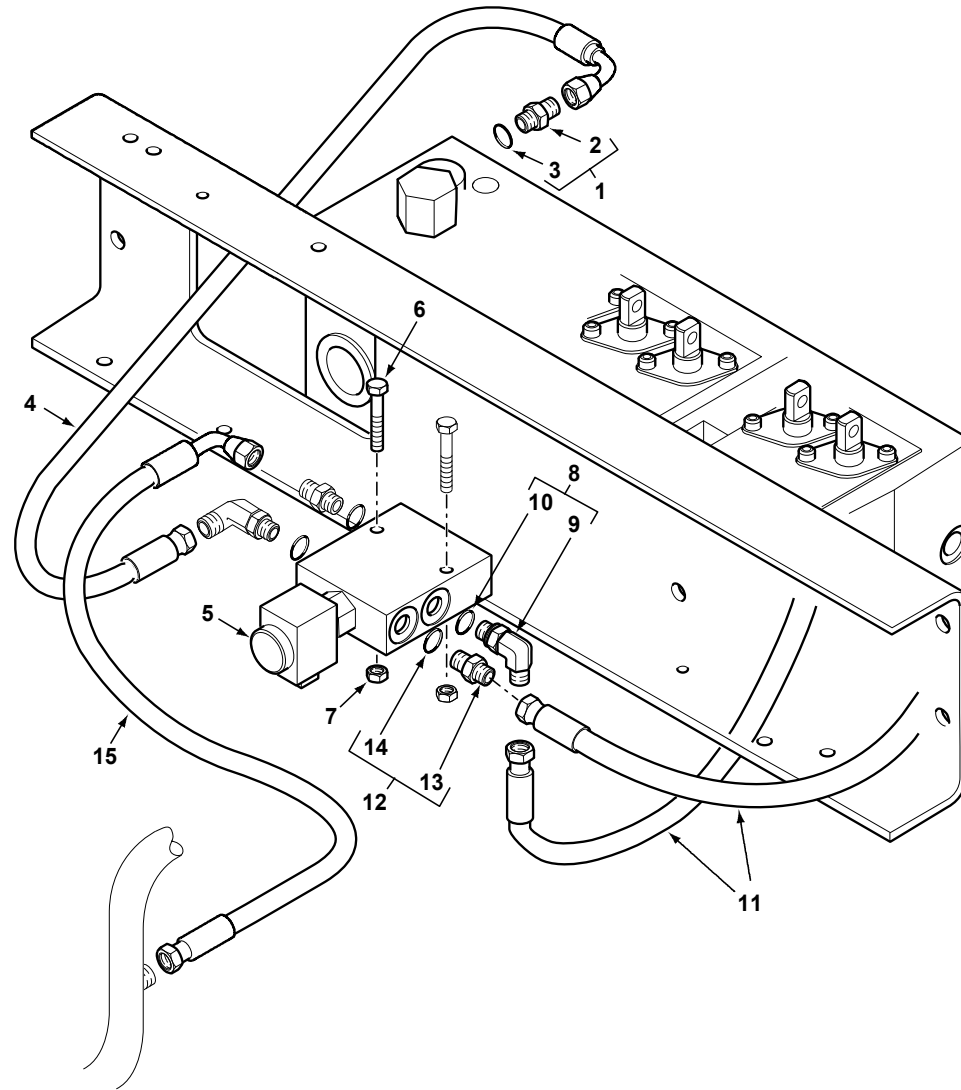
C-90006-01.1-A



Item	Part No.	Qty.	English	French	German	Spanish	Remarks
1	6108811M92	1	Miller Quick Attach Assy. (Digger) [Not For Sale In Uk]	Ensem. D&Attel. Rapi	Schnellkupplung Kpl	Engan. Rápido, Conj.	90006c04.1 1
2	3516519M94	2	Pin & Plate 45-322,5	Axe	Bolzen	Pasador	
3	3501790M1	2	Washer M46-65-5 Z	Rondelle	Scheibe	Arandela	
4	3516522M91	2	Pin Safety Linch	Goupille D´Arrêt	Klappstecker	Pasador De Parada	
5	6102923M91	2	Hose - Digger Q/Attach., Miller	Flexible	Schlauch Kpl	Flexible, Conj.	
6	356612X1	2	Nut 7/16" Unf	Ecrou Unf	Mutter 7/16" Unf	Tuerca	
7	371089X1	2	Elbow 45 Deg	Coude, 45	Kniestück, 45°	Codo, 45°	
8	6106087M91	2	Hose-Miller Q/Attach Hyd.	Flexible	Schlauch Kpl	Flexible, Conj.	
9	#HOSE ASSY	2	Hose Assy	Hose Assy	Hose Assy	Hose Assy	90006c02.1 11
10	3517732M1	1	Clip, Hose	Collier Durit	Schlauchschelle	Argolla De Fijación	
11	D142787	1	Saddle (See 142787d)	Selle	Sattel	Bloque De Caucho	
12	1664405M1	6	Tie Mm T50s	Attache Cable	Kabelbinder	Enlace De Cable	
13	3517731M1	1	Clamp-Hose	Bride Pour Tutaux	Schlauchschelle	Argolla De Fijación	
14	D142787	1	Saddle (See 142787d)	Selle	Sattel	Bloque De Caucho	
15	6101777M91	1	Cover Assy. - Switch Operating	Cache	Abdeckung	Tapa	
16	6102490M1	1	Relay-Micro	Relais	Relais	Relé	

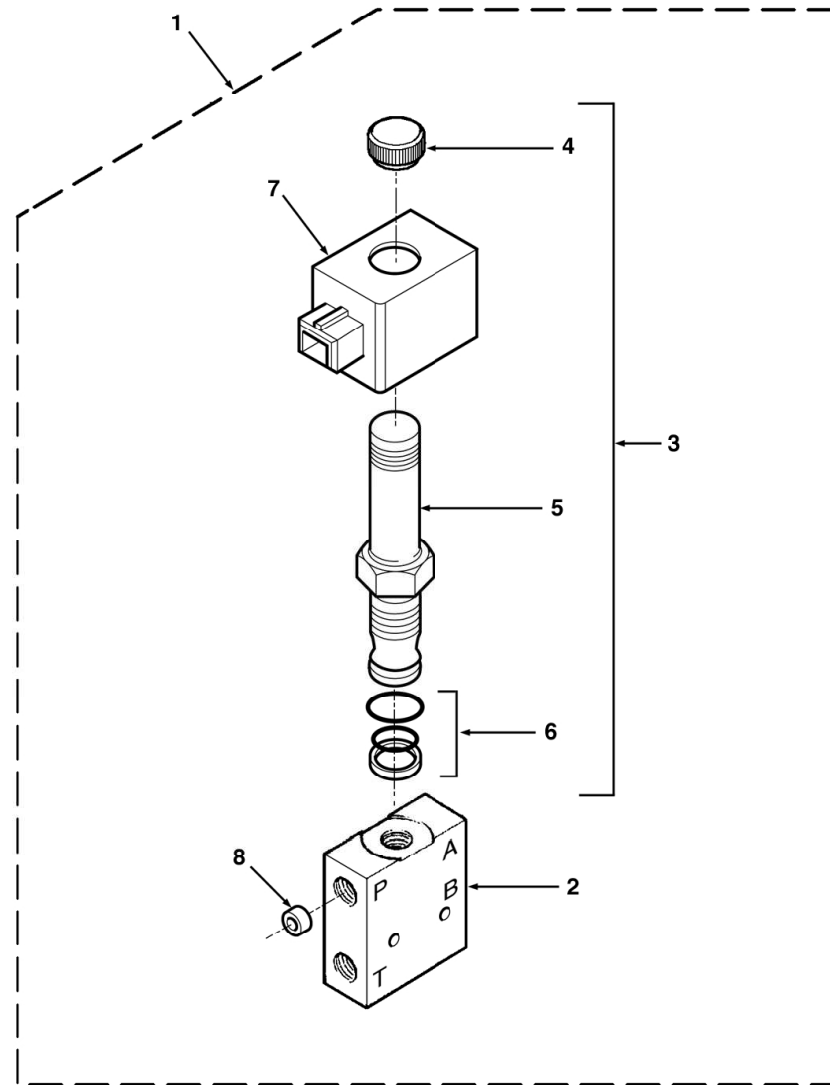


C-90006-02.1-A



Item	Part No.	Qty.	English	French	German	Spanish	Remarks
1	365830X91	1	Connector	Adaptateur	Reduziernippel	Unión	
2	#UNION	1	Union	Union	Union	Union	Ref. 1
3	#O-RING	1	O-Ring	Joint Torique	O-Ring	Junta Tórica	
4	6109910M91	1	Hose Assy - Q/A Feed	Flexible Ass.	Schlauch Kpl	Flexible, Conj.	
5	6106011M91	1	Valve-Digger Quick Attach.	Électrovalve	Magnetventil	Electroválvula	90006c03.1 1
6	391244X1	2	Bolt M6-45 Z5s	Goupille	Bolzen - M6 X 45	Perno	
7	1441500X1	2	Nut M6 Z5 Nyloc	Ecrou	Flachmutter M6	Tuerca De Retención	
8	370807X91	2	Elbow 90 7/16jic9/16or	Coude, 90	Kniestück, 90°	Codo, 90°	
9	#ELBOW	1	Elbow	Elbow	Elbow	Elbow	Ref. 8
10	831452M1	1	O Ring (Pack Of 10)	Joint Torique	O Ring	Junta De Tipo O	
11	3519882M92	2	Hose-(Cm Kit) Q/Attach	Flexible	Schlauch	Flexible, Conj.	
12	365065X91	2	Connector 7/16x9/16	Borne	Doppelnippel	Unión	
13	#UNION	1	Union	Union	Union	Union	Ref. 12
14	831452M1	1	O Ring (Pack Of 10)	Joint Torique	O Ring	Junta De Tipo O	
15	3519226M91	1	Hose Assy	Flexible Ass.	Schlauch Kpl	Flexible, Conj.	

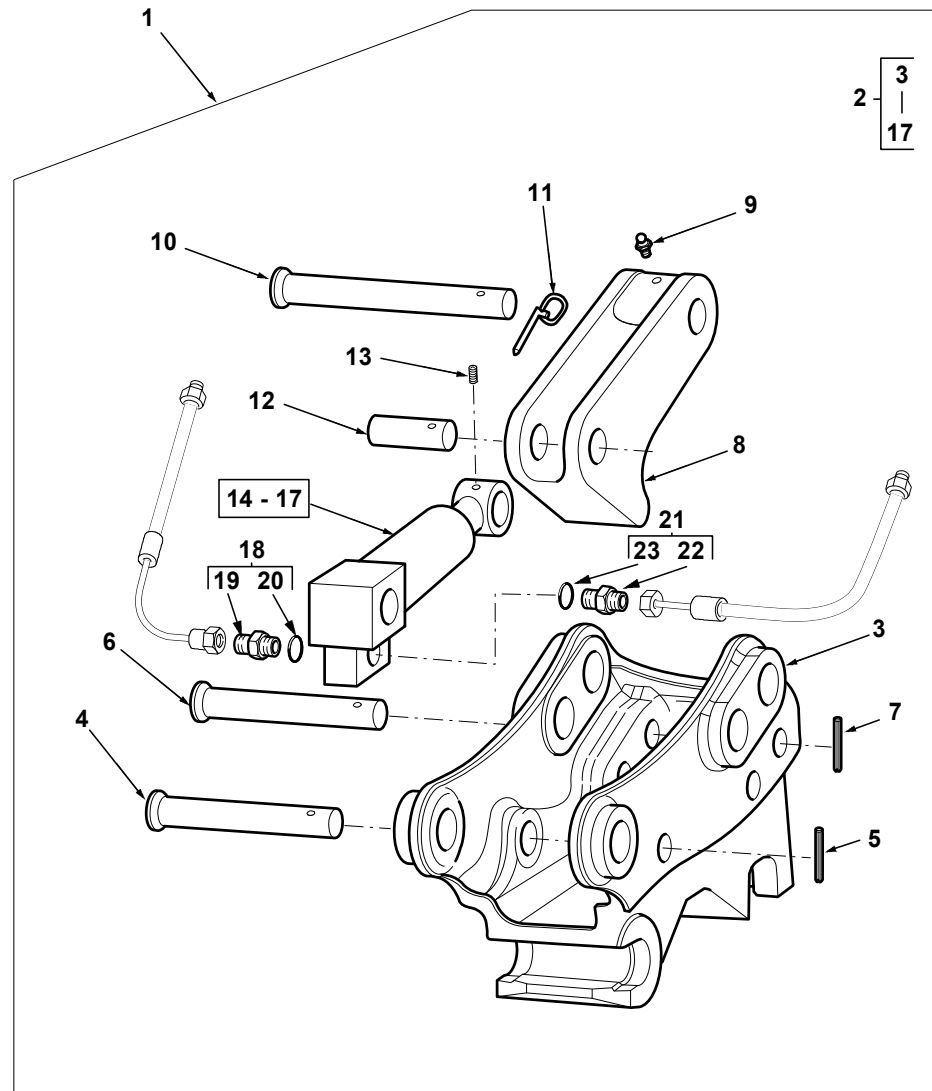
C-90006-03.1-A



Item	Part No.	Qty.	English	French	German	Spanish	Remarks
1	6106011M91	1	Valve-Digger Quick Attach.	Électrovalve	Magnetventil	Electroválvula	90006c02.1 5
2	#BODY	1	Body	Body	Body	Body	Ref. 1
3	6193020M91	1	Cartridge Assy	Cartouche Ass.	Einsatz Kplt	Solenoido, Conj.	
4	#NUT	1	Nut	Ecrou	Mutter	Tuerca	Ref. 3
5	#CARTRIDGE	1	Cartridge	Cartridge	Cartridge	Cartridge	Ref. 3
6	6193022M91	1	Kit Seal	Jeu Étanchéité	Dichtringsatz	Juego De Juntas	
7	6191096M91	1	Coil Assy.	Bobine	Wicklung, Spule	Bobina	
8	6193021M1	1	Restrictor	Réduction	Reduzierstück	Reducción	



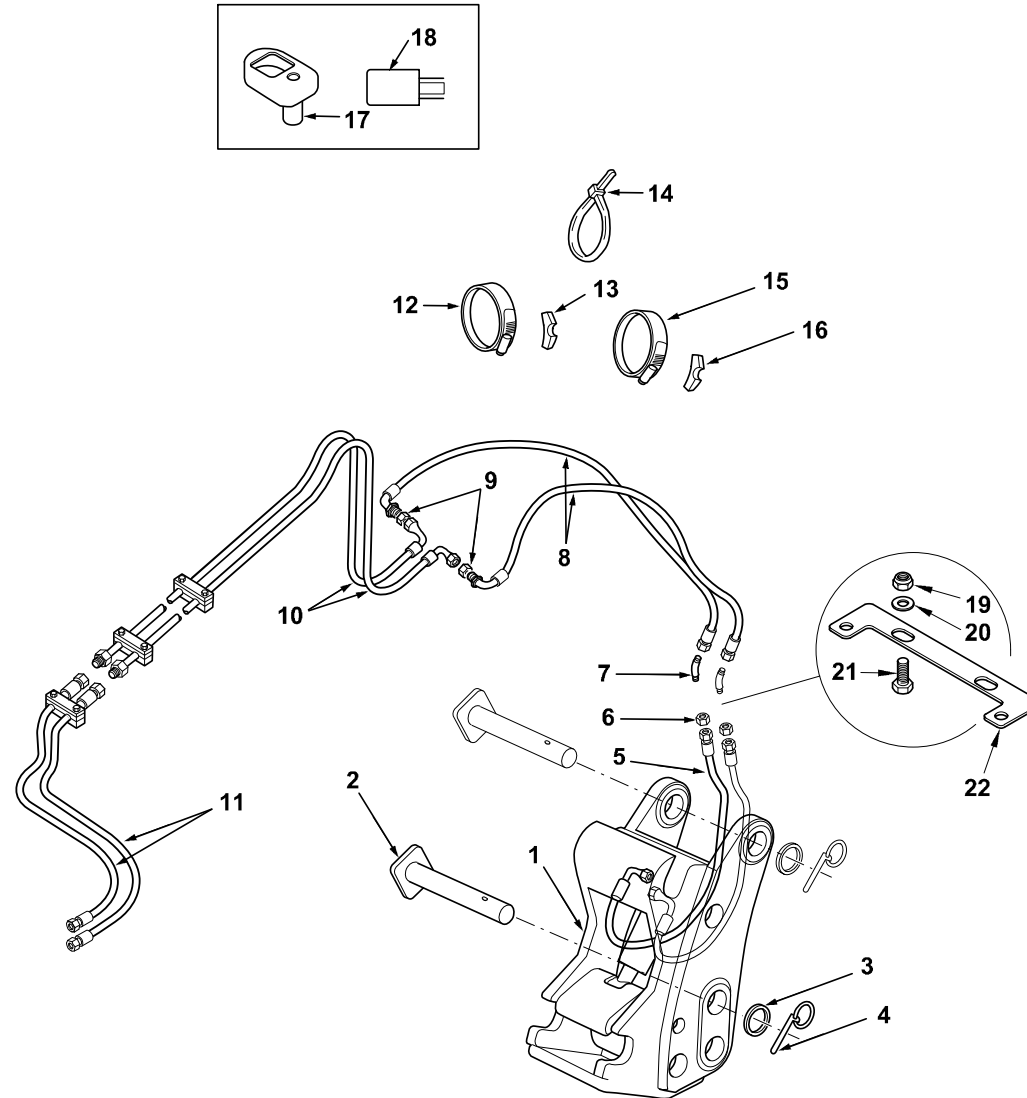
C-90006-04.1-A



Item	Part No.	Qty.	English	French	German	Spanish	Remarks
1	6108811M92	1	Miller Quick Attach Assy. (Digger) [Not For Sale In Uk]	Ensem. D¿Attel. Rapi	Schnellkupplung Kpl	Engan. Rápido, Conj.	
2	6102976M91	1	Quick Attach Assy. - Dig. Bucket, Miller	Ensem. D¿Attel. Rapi	Schnellkupplung Kpl	Engan. Rápido, Conj.	
3	6193009M1	1	Cast Body	Corps	Körper	Cuerpo	
4	6193013M1	1	Pin Cylinder	Axe	Bolzen	Pasador	
5	6193016M1	1	Pin Large	Axe	Bolzen	Pasador Elástico	
6	6193012M1	1	Pin Hook	Axe	Bolzen	Pasador	
7	6193016M1	1	Pin Large	Axe	Bolzen	Pasador Elástico	
8	6193010M1	1	Cast Hook	Crochet	Haken	Gancho	
9	6193018M1	1	Grease Nipple	Nipple De Graissage	Schmiernippel	Engrasador	
10	6193015M1	1	Pin Safety	Axe	Bolzen	Pasador	
11	6193017M1	1	Pin Lynch	Goupille D´Arrêt	Klappstecker	Pasador De Parada	
12	6193014M1	1	Pin Ram/Hook	Axe	Bolzen	Pasador	
13	6193019M1	1	Grub Screw	Vis Sans Tête	Gewindestift	Tornillo	
14	6193011M91	1	Cylinder Assy.	Vérin Ass.	Zylinder Kplt	Gato, Conj.	
15	6193577M91	1	Check Valve	Clapet Anti-Retour	Ventil, Rückschlag-	Válvula De Parada	
16	6193578M91	1	Kit Seal-Check Valve	Jeu Étanchéité	Dichtringsatz	Juego De Juntas	
17	6193576M91	1	Kit Seal	Jeu Étanchéité	Dichtringsatz	Juego De Juntas	
18	358741X91	1	Union, Hydr.	Raccord	Verschraubung	Racor	
19	#UNION	1	Union	Union	Union	Union	Ref. 18
20	831495M1	1	O-Ring	Joint Torique	O-Ring	Junta De Tipo O	
21	6106088M91	1	Connector, Hydraulic	Borne	Doppelnippel	Conector	
22	#UNION	1	Union	Union	Union	Union	Ref. 21
23	#O-RING	1	O-Ring	Joint Torique	O-Ring	Junta Tórica	



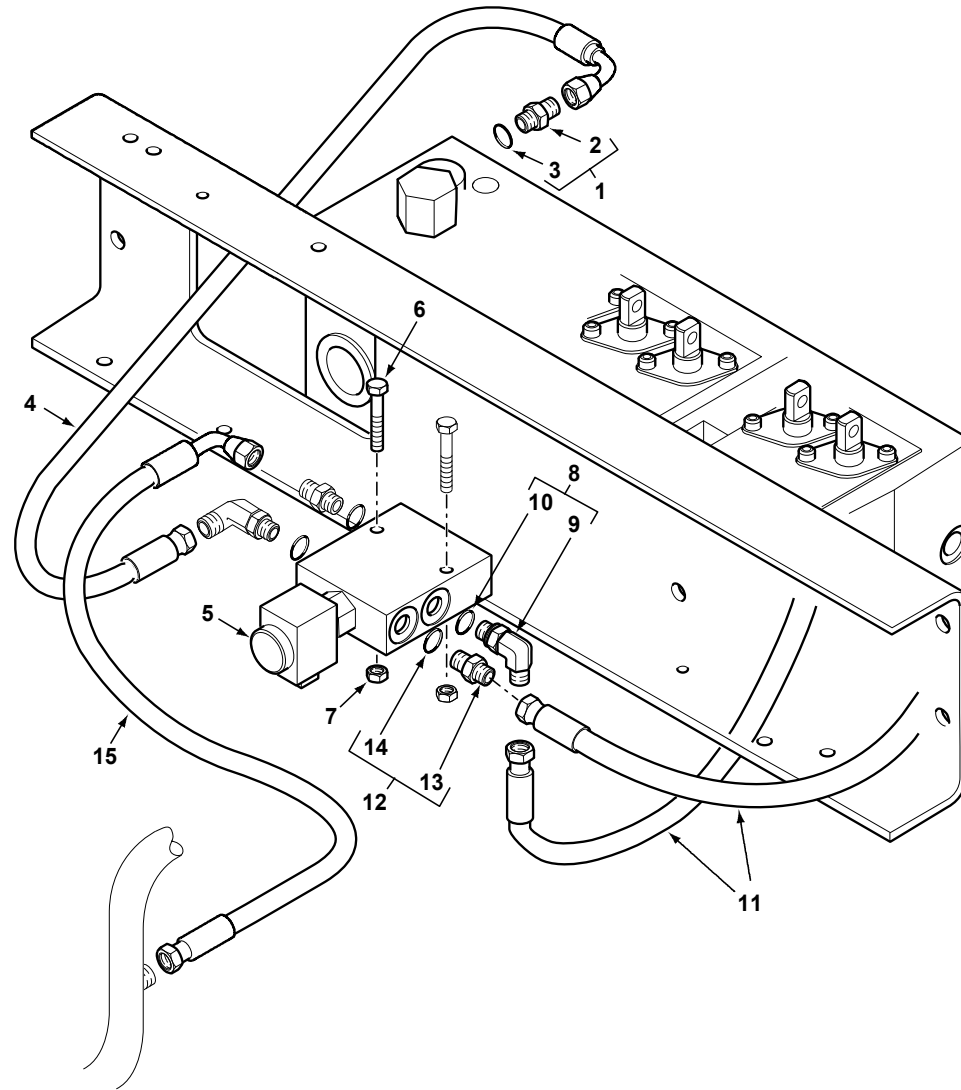
C-90007-01.1-B



Item	Part No.	Qty.	English	French	German	Spanish	Remarks
1	6108811M92	1	Miller Quick Attach Assy. (Digger) [Not For Sale In Uk]	Ensem. D&Attel. Rapi	Schnellkupplung Kpl	Egan. Rápido, Conj.	90007c04.1 1
2	3516519M94	2	Pin & Plate 45-322,5	Axe	Bolzen	Pasador	
3	3501790M1	2	Washer M46-65-5 Z	Rondelle	Scheibe	Arandela	
4	3516522M91	2	Pin Safety Linch	Goupille D´Arrêt	Klappstecker	Pasador De Parada	
5	6102923M91	2	Hose - Digger Q/Attach., Miller	Flexible	Schlauch Kpl	Flexible, Conj.	
6	356612X1	2	Nut 7/16" Unf	Ecrou Unf	Mutter 7/16" Unf	Tuerca	
7	371089X1	2	Elbow 45 Deg	Coude, 45	Kniestück, 45°	Codo, 45°	
8	6102922M92	2	Hose-Miller Q/Attach Hyd.	Ensemble Durit	Schlauch Kpl	Flexible, Conj.	
9	356612X1	2	Nut 7/16" Unf	Ecrou Unf	Mutter 7/16" Unf	Tuerca	
10	3521945M95	1	Hose Assy. - Digger Quick Attach	Flexible Ass.	Schlauch Kpl	Flexible, Conj.	Yellow
10	6111272M91	1	Hose Assembly - Q/Attach Boom	Ensemble Durit	Schlauch Kpl	Flexible, Conj.	Black
11	#HOSE ASSY	2	Hose Assy	Hose Assy	Hose Assy	Hose Assy	90007c02.1 11
12	3517732M1	1	Clip, Hose	Collier Durit	Schlauchschelle	Argolla De Fijación	
13	D142787	1	Saddle (See 142787d)	Selle	Sattel	Bloque De Caucho	
14	1664405M1	6	Tie Mm T50s	Attache Cable	Kabelbinder	Enlace De Cable	
15	3517731M1	1	Clamp-Hose	Bride Pour Tutaux	Schlauchschelle	Argolla De Fijación	
16	D142787	1	Saddle (See 142787d)	Selle	Sattel	Bloque De Caucho	
17	6101777M91	1	Cover Assy. - Switch Operating	Cache	Abdeckung	Tapa	
18	6102490M1	1	Relay-Micro	Relais	Relais	Relé	
19	1440329X1	2	Nut, Hex. - Nyloc, M10	Ecrou Blocage	Flachmutter M10	Tuerca De Retención	
20	390597X1	2	Washer, Large - M10	Rondelle	Scheible	Arandela	
21	3009492X1	2	Bolt - Hex. M10 X 25	Boulon M10 X 25	Schraube M10 X 25	Tornillo	
22	6112498M1	1	Bracket	Support Fixation	Haltearm	Pata De Fijación	

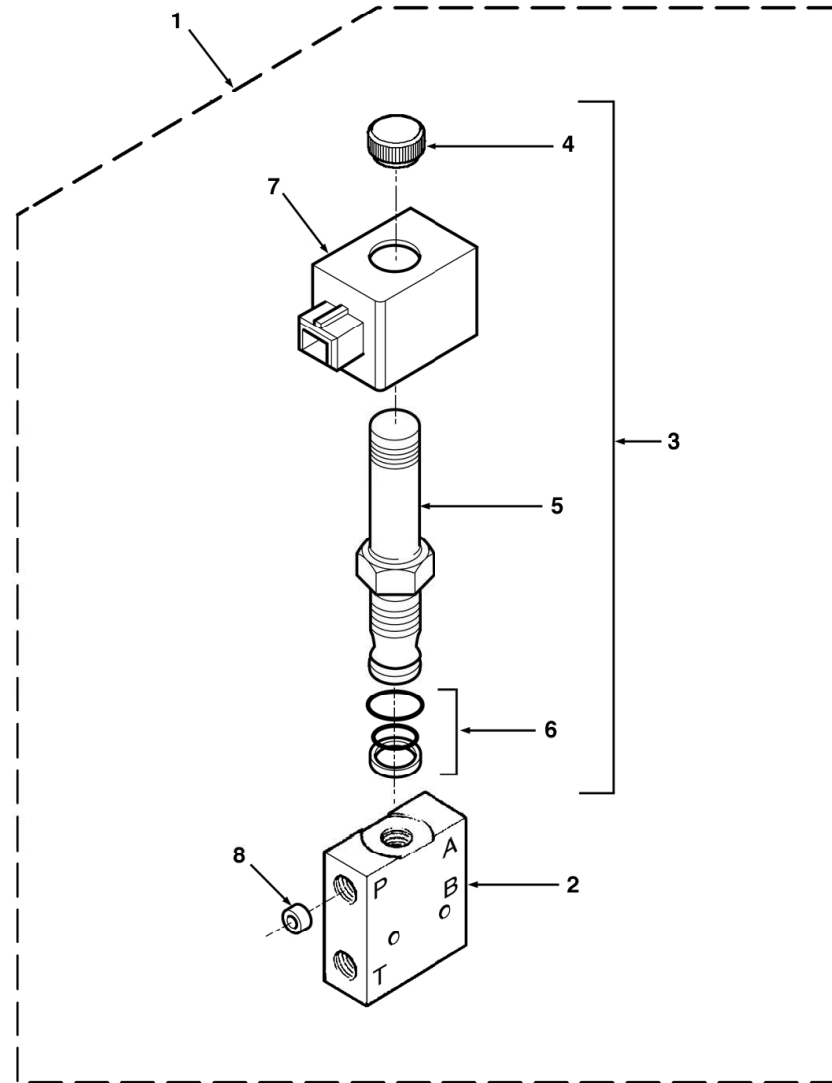


C-90007-02.1-A



Item	Part No.	Qty.	English	French	German	Spanish	Remarks
1	365830X91	1	Connector	Adaptateur	Reduziernippel	Unión	
2	#UNION	1	Union	Union	Union	Union	Ref. 1
3	#O-RING	1	O-Ring	Joint Torique	O-Ring	Junta Tórica	
4	6109910M91	1	Hose Assy - Q/A Feed	Flexible Ass.	Schlauch Kpl	Flexible, Conj.	
5	6106011M91	1	Valve-Digger Quick Attach.	Électrovalve	Magnetventil	Electroválvula	98007c03.1
6	391244X1	2	Bolt M6-45 Z5s	Goupille	Bolzen - M6 X 45	Perno	
7	1441500X1	2	Nut M6 Z5 Nyloc	Ecrou	Flachmutter M6	Tuerca De Retención	
8	370807X91	2	Elbow 90 7/16jic9/16or	Coude, 90	Kniestück, 90°	Codo, 90°	
9	#ELBOW	1	Elbow	Elbow	Elbow	Elbow	Ref. 8
10	831452M1	1	O Ring (Pack Of 10)	Joint Torique	O Ring	Junta De Tipo O	
11	3519882M92	2	Hose-(Cm Kit) Q/Attach	Flexible	Schlauch	Flexible, Conj.	
12	365065X91	2	Connector 7/16x9/16	Borne	Doppelnippel	Unión	
13	#UNION	1	Union	Union	Union	Union	Ref. 12
14	831452M1	1	O Ring (Pack Of 10)	Joint Torique	O Ring	Junta De Tipo O	
15	3519226M91	1	Hose Assy	Flexible Ass.	Schlauch Kpl	Flexible, Conj.	

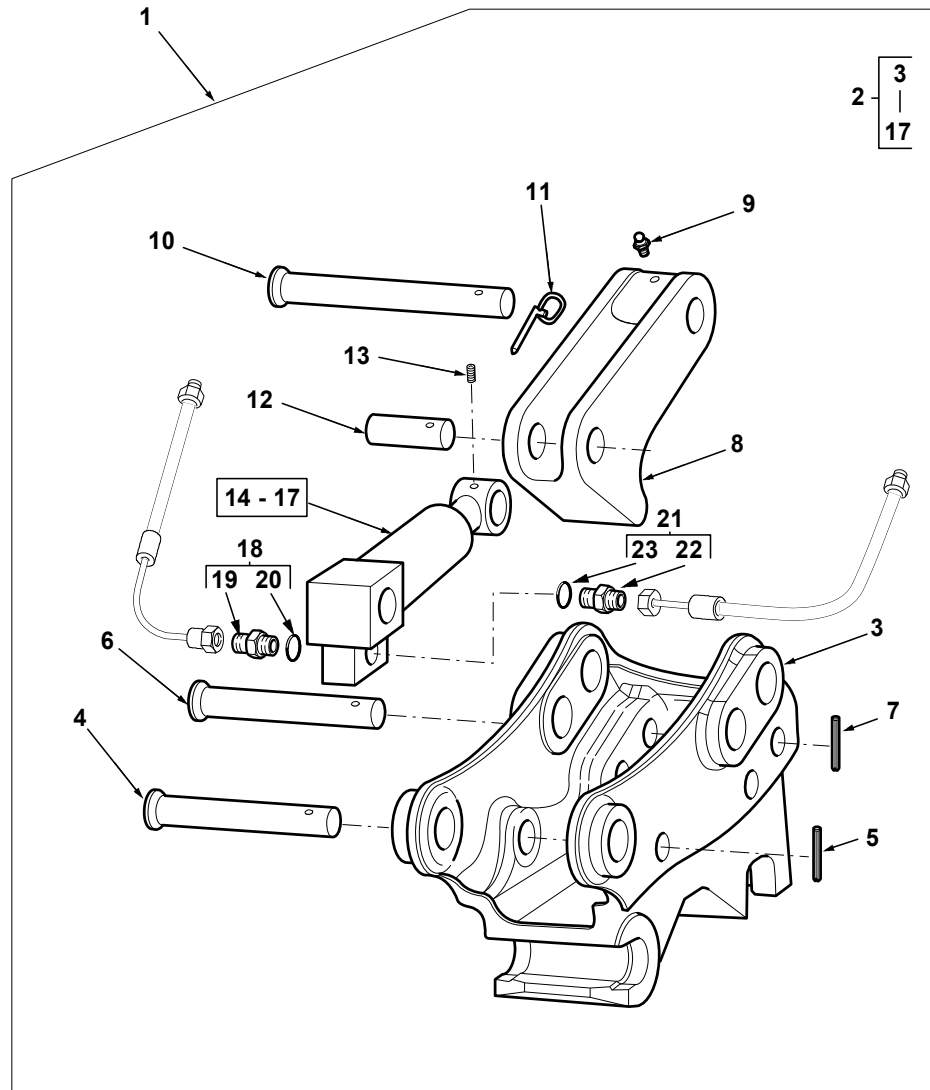
C-90007-03.1-A



Item	Part No.	Qty.	English	French	German	Spanish	Remarks
1	6106011M91	1	Valve-Digger Quick Attach.	Électrovalve	Magnetventil	Electroválvula	90007c02.1 5
2	#BODY	1	Body	Body	Body	Body	Ref. 1
3	6193020M91	1	Cartridge Assy	Cartouche Ass.	Einsatz Kplt	Solenoido, Conj.	
4	#NUT	1	Nut	Ecrou	Mutter	Tuerca	Ref. 3
5	#CARTRIDGE	1	Cartridge	Cartridge	Cartridge	Cartridge	Ref. 3
6	6193022M91	1	Kit Seal	Jeu Étanchéité	Dichtringsatz	Juego De Juntas	
7	6191096M91	1	Coil Assy.	Bobine	Wicklung, Spule	Bobina	
8	6193021M1	1	Restrictor	Réduction	Reduzierstück	Reducción	



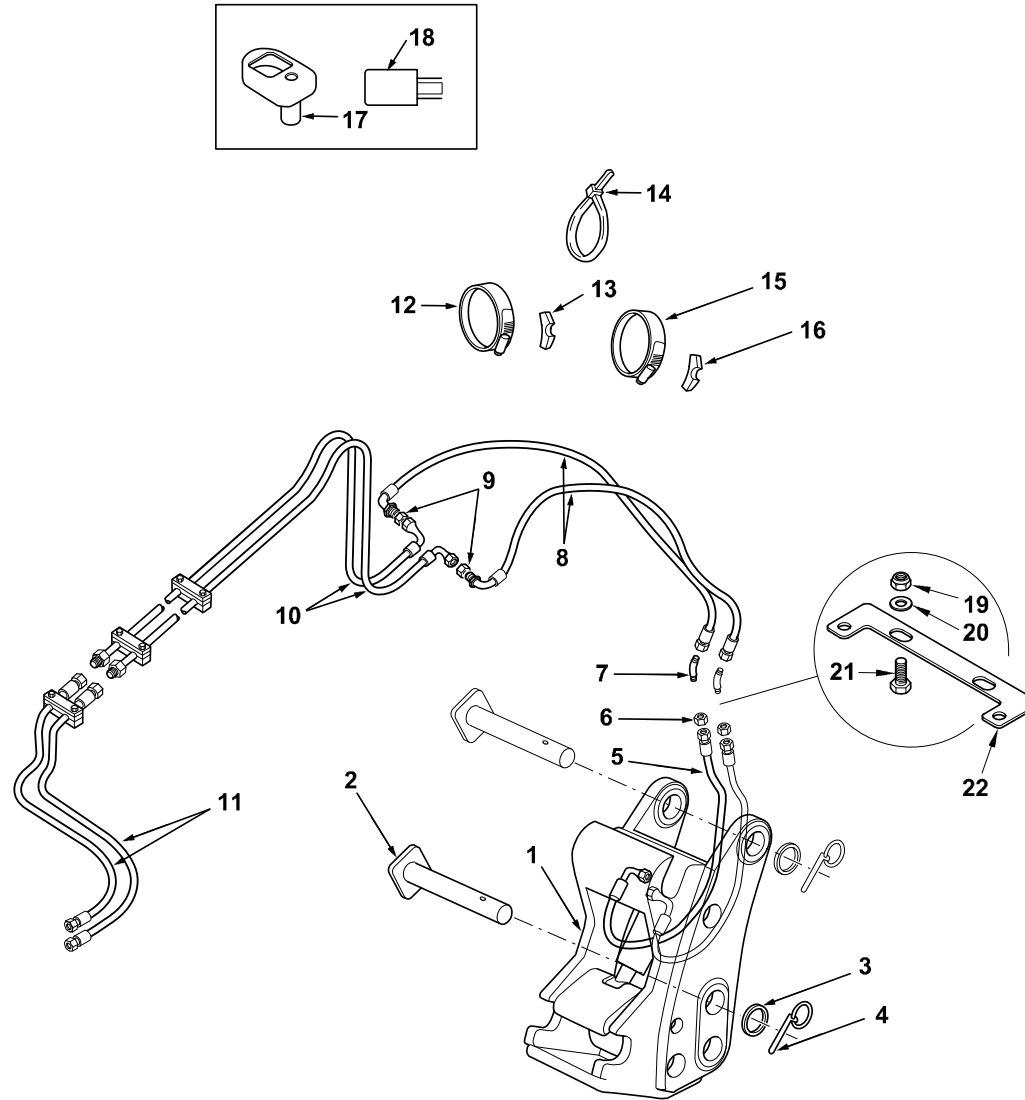
C-90007-04.1-A



Item	Part No.	Qty.	English	French	German	Spanish	Remarks
1	6108811M92	1	Miller Quick Attach Assy. (Digger) [Not For Sale In Uk]	Ensem. D&Attel. Rapi	Schnellkupplung Kpl	Engan. Rápido, Conj.	
2	6102976M91	1	Quick Attach Assy. - Dig. Bucket, Miller	Ensem. D&Attel. Rapi	Schnellkupplung Kpl	Engan. Rápido, Conj.	
3	6193009M1	1	Cast Body	Corps	Körper	Cuerpo	
4	6193013M1	1	Pin Cylinder	Axe	Bolzen	Pasador	
5	6193016M1	1	Pin Large	Axe	Bolzen	Pasador Elástico	
6	6193012M1	1	Pin Hook	Axe	Bolzen	Pasador	
7	6193016M1	1	Pin Large	Axe	Bolzen	Pasador Elástico	
8	6193010M1	1	Cast Hook	Crochet	Haken	Gancho	
9	6193018M1	1	Grease Nipple	Nipple De Graissage	Schmiernippel	Engrasador	
10	6193015M1	1	Pin Safety	Axe	Bolzen	Pasador	
11	6193017M1	1	Pin Lynch	Goupille D´Arrêt	Klappstecker	Pasador De Parada	
12	6193014M1	1	Pin Ram/Hook	Axe	Bolzen	Pasador	
13	6193019M1	1	Grub Screw	Vis Sans Tête	Gewindestift	Tornillo	
14	6193011M91	1	Cylinder Assy.	Vérin Ass.	Zylinder Kplt	Gato, Conj.	
15	6193577M91	1	Check Valve	Clapet Anti-Retour	Ventil, Rückschlag-	Válvula De Parada	
16	6193578M91	1	Kit Seal-Check Valve	Jeu Étanchéité	Dichtringsatz	Juego De Juntas	
17	6193576M91	1	Kit Seal	Jeu Étanchéité	Dichtringsatz	Juego De Juntas	
18	358741X91	1	Union, Hydr.	Raccord	Verschraubung	Racor	
19	#UNION	1	Union	Union	Union	Union	Ref. 18
20	831495M1	1	O-Ring	Joint Torique	O-Ring	Junta De Tipo O	
21	6106088M91	1	Connector, Hydraulic	Borne	Doppelnippel	Conector	
22	#UNION	1	Union	Union	Union	Union	Ref. 21
23	#O-RING	1	O-Ring	Joint Torique	O-Ring	Junta Tórica	



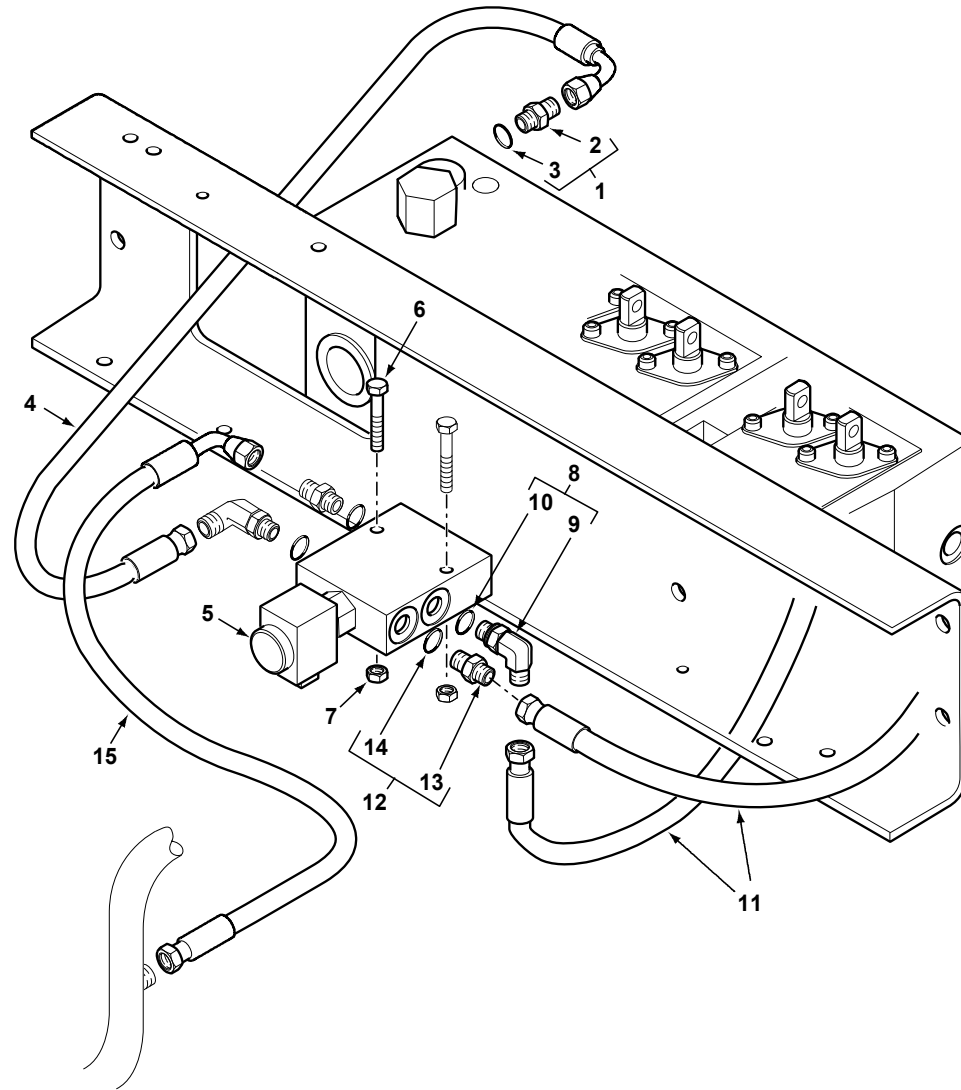
C-90008-01.1-B



Item	Part No.	Qty.	English	French	German	Spanish	Remarks
1	6108811M92	1	Miller Quick Attach Assy. (Digger) [Not For Sale In Uk]	Ensem. D&Attel. Rapi	Schnellkupplung Kpl	Engan. Rápido, Conj.	90008c04.1 1
2	3516519M94	2	Pin & Plate 45-322,5	Axe	Bolzen	Pasador	
3	3501790M1	2	Washer M46-65-5 Z	Rondelle	Scheibe	Arandela	
4	3516522M91	2	Pin Safety Linch	Goupille D´Arrêt	Klappstecker	Pasador De Parada	
5	6102923M91	2	Hose - Digger Q/Attach., Miller	Flexible	Schlauch Kpl	Flexible, Conj.	
6	356612X1	2	Nut 7/16" Unf	Ecrou Unf	Mutter 7/16" Unf	Tuerca	
7	371089X1	2	Elbow 45 Deg	Coude, 45	Kniestück, 45°	Codo, 45°	
8	6102922M92	2	Hose-Miller Q/Attach Hyd.	Ensemble Durit	Schlauch Kpl	Flexible, Conj.	
9	356612X1	2	Nut 7/16" Unf	Ecrou Unf	Mutter 7/16" Unf	Tuerca	
10	3518145M91	2	Hose Assy	Flexible	Schlauch Kpl	Flexible, Conj.	
11	#HOSE ASSY	2	Hose Assy	Hose Assy	Hose Assy	Hose Assy	90008c02.1 11
12	3517732M1	1	Clip, Hose	Collier Durit	Schlauchschelle	Argolla De Fijación	
13	D142787	1	Saddle (See 142787d)	Selle	Sattel	Bloque De Caucho	
14	1664405M1	6	Tie Mm T50s	Attache Cable	Kabelbinder	Enlace De Cable	
15	3517731M1	1	Clamp-Hose	Bride Pour Tutaux	Schlauchschelle	Argolla De Fijación	
16	D142787	1	Saddle (See 142787d)	Selle	Sattel	Bloque De Caucho	
17	6101777M91	1	Cover Assy. - Switch Operating	Cache	Abdeckung	Tapa	
18	6102490M1	1	Relay-Micro	Relais	Relais	Relé	
19	1440329X1	2	Nut, Hex. - Nyloc, M10	Ecrou Blocage	Flachmutter M10	Tuerca De Retención	
20	390597X1	2	Washer, Large - M10	Rondelle	Scheible	Arandela	
21	3009492X1	2	Bolt - Hex. M10 X 25	Boulon M10 X 25	Schraube M10 X 25	Tornillo	
22	6112498M1	1	Bracket	Support Fixation	Haltearm	Pata De Fijación	

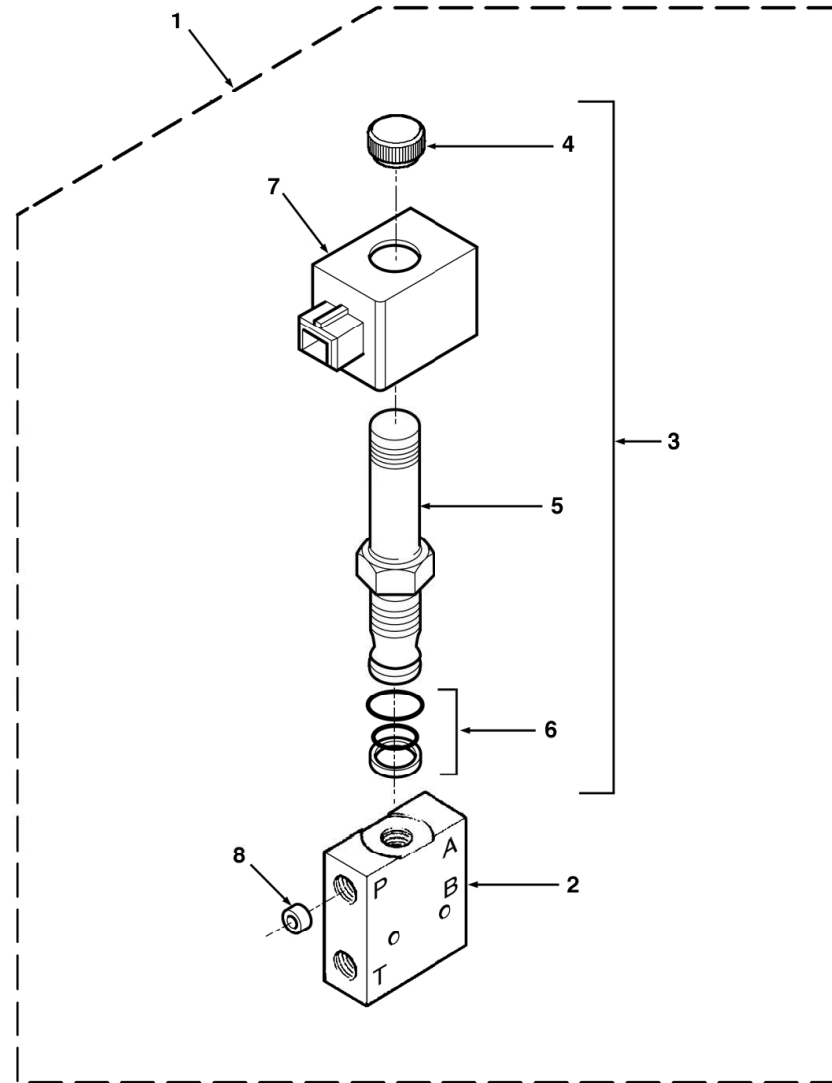


C-90008-02.1-A



Item	Part No.	Qty.	English	French	German	Spanish	Remarks
1	365830X91	1	Connector	Adaptateur	Reduziernippel	Unión	
2	#UNION	1	Union	Union	Union	Union	Ref. 1
3	#O-RING	1	O-Ring	Joint Torique	O-Ring	Junta Tórica	
4	6109910M91	1	Hose Assy - Q/A Feed	Flexible Ass.	Schlauch Kpl	Flexible, Conj.	
5	6106011M91	1	Valve-Digger Quick Attach.	Électrovalve	Magnetventil	Electroválvula	98008c03.1
6	391244X1	2	Bolt M6-45 Z5s	Goupille	Bolzen - M6 X 45	Perno	
7	1441500X1	2	Nut M6 Z5 Nyloc	Ecrou	Flachmutter M6	Tuerca De Retención	
8	370807X91	2	Elbow 90 7/16jic9/16or	Coude, 90	Kniestück, 90°	Codo, 90°	
9	#ELBOW	1	Elbow	Elbow	Elbow	Elbow	Ref. 8
10	831452M1	1	O Ring (Pack Of 10)	Joint Torique	O Ring	Junta De Tipo O	
11	3519882M92	2	Hose-(Cm Kit) Q/Attach	Flexible	Schlauch	Flexible, Conj.	
12	365065X91	2	Connector 7/16x9/16	Borne	Doppelnippel	Unión	
13	#UNION	1	Union	Union	Union	Union	Ref. 12
14	831452M1	1	O Ring (Pack Of 10)	Joint Torique	O Ring	Junta De Tipo O	
15	3519226M91	1	Hose Assy	Flexible Ass.	Schlauch Kpl	Flexible, Conj.	

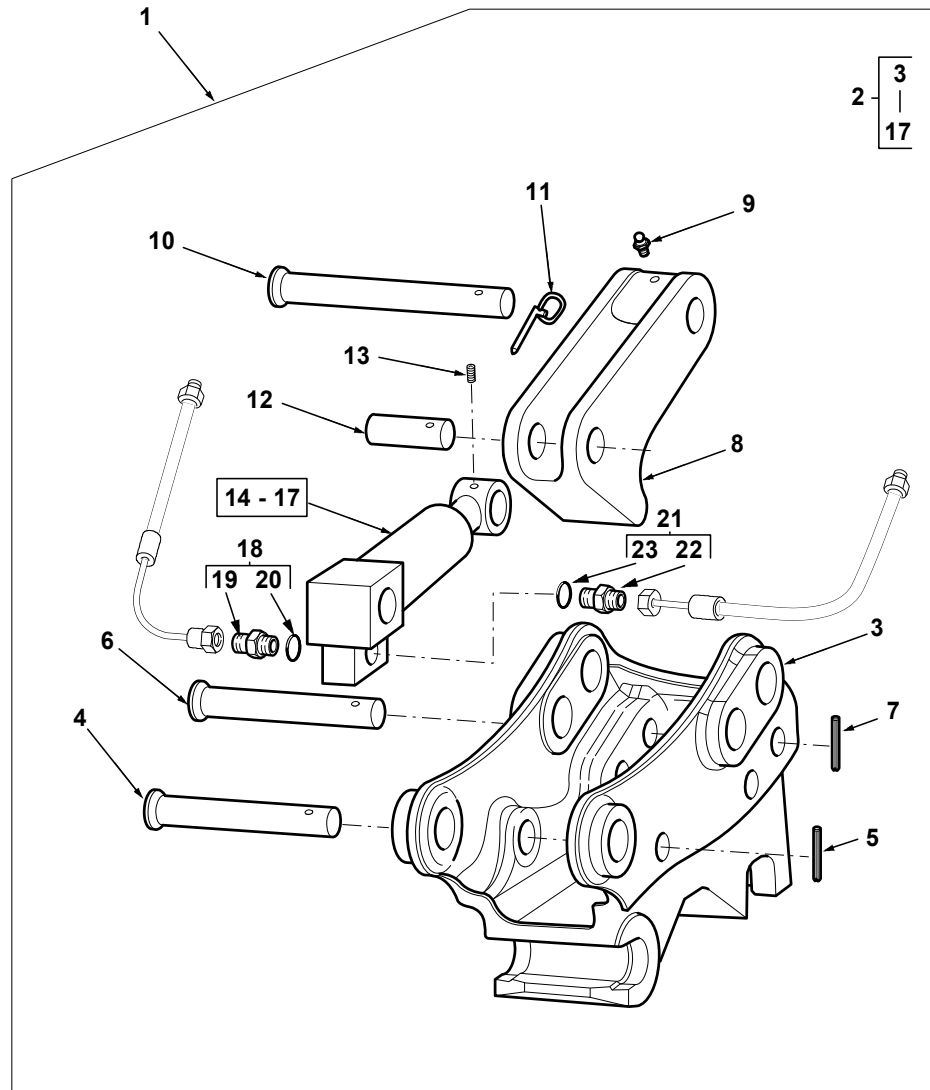
C-90008-03.1-A



Item	Part No.	Qty.	English	French	German	Spanish	Remarks
1	6106011M91	1	Valve-Digger Quick Attach.	Électrovalve	Magnetventil	Electroválvula	90008c02.1 5
2	#BODY	1	Body	Body	Body	Body	Ref. 1
3	6193020M91	1	Cartridge Assy	Cartouche Ass.	Einsatz Kplt	Solenoido, Conj.	
4	#NUT	1	Nut	Ecrou	Mutter	Tuerca	Ref. 3
5	#CARTRIDGE	1	Cartridge	Cartridge	Cartridge	Cartridge	Ref. 3
6	6193022M91	1	Kit Seal	Jeu Étanchéité	Dichtringsatz	Juego De Juntas	
7	6191096M91	1	Coil Assy.	Bobine	Wicklung, Spule	Bobina	
8	6193021M1	1	Restrictor	Réduction	Reduzierstück	Reducción	



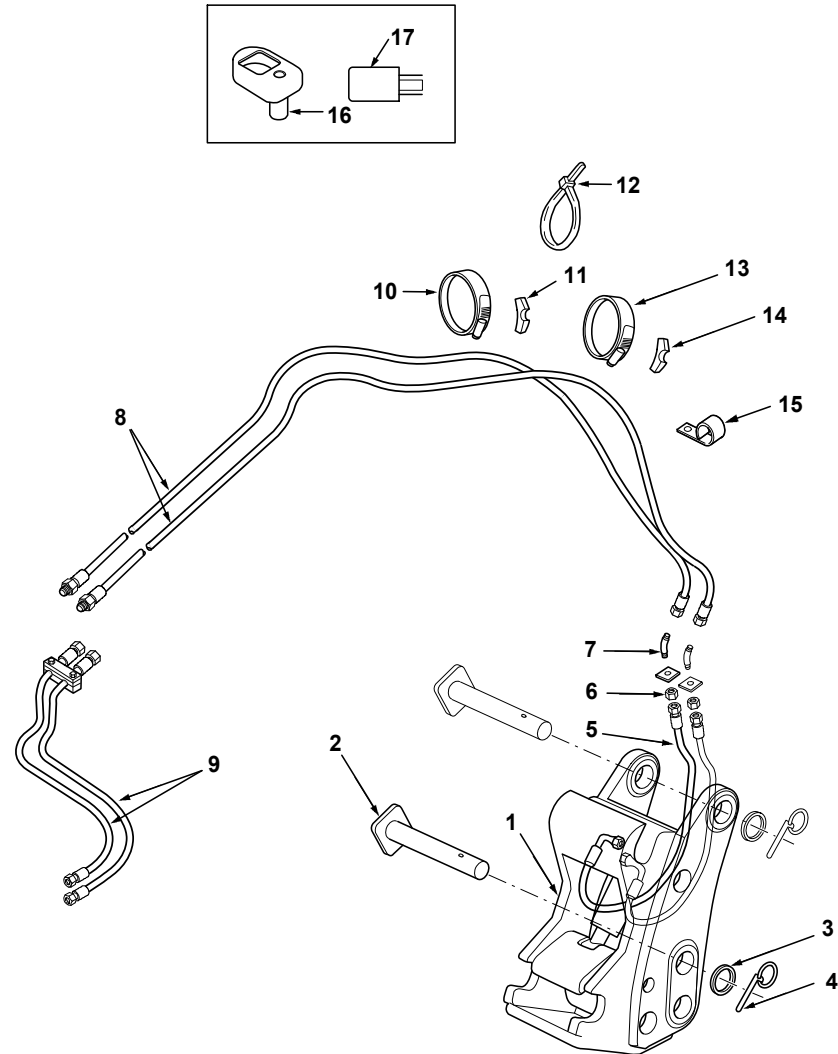
C-90008-04.1-A



Item	Part No.	Qty.	English	French	German	Spanish	Remarks
1	6108811M92	1	Miller Quick Attach Assy. (Digger) [Not For Sale In Uk]	Ensem. D¿Attel. Rapi	Schnellkupplung Kpl	Egan. Rápido, Conj.	
2	6102976M91	1	Quick Attach Assy. - Dig. Bucket, Miller	Ensem. D¿Attel. Rapi	Schnellkupplung Kpl	Egan. Rápido, Conj.	
3	6193009M1	1	Cast Body	Corps	Körper	Cuerpo	
4	6193013M1	1	Pin Cylinder	Axe	Bolzen	Pasador	
5	6193016M1	1	Pin Large	Axe	Bolzen	Pasador Elástico	
6	6193012M1	1	Pin Hook	Axe	Bolzen	Pasador	
7	6193016M1	1	Pin Large	Axe	Bolzen	Pasador Elástico	
8	6193010M1	1	Cast Hook	Crochet	Haken	Gancho	
9	6193018M1	1	Grease Nipple	Nipple De Graissage	Schmiernippel	Engrasador	
10	6193015M1	1	Pin Safety	Axe	Bolzen	Pasador	
11	6193017M1	1	Pin Lynch	Goupille D´Arrêt	Klappstecker	Pasador De Parada	
12	6193014M1	1	Pin Ram/Hook	Axe	Bolzen	Pasador	
13	6193019M1	1	Grub Screw	Vis Sans Tête	Gewindestift	Tornillo	
14	6193011M91	1	Cylinder Assy.	Vérin Ass.	Zylinder Kplt	Gato, Conj.	
15	6193577M91	1	Check Valve	Clapet Anti-Retour	Ventil, Rückschlag-	Válvula De Parada	
16	6193578M91	1	Kit Seal-Check Valve	Jeu Étanchéité	Dichtringsatz	Juego De Juntas	
17	6193576M91	1	Kit Seal	Jeu Étanchéité	Dichtringsatz	Juego De Juntas	
18	358741X91	1	Union, Hydr.	Raccord	Verschraubung	Racor	
19	#UNION	1	Union	Union	Union	Union	Ref. 18
20	831495M1	1	O-Ring	Joint Torique	O-Ring	Junta De Tipo O	
21	6106088M91	1	Connector, Hydraulic	Borne	Doppelnippel	Conector	
22	#UNION	1	Union	Union	Union	Union	Ref. 21
23	#O-RING	1	O-Ring	Joint Torique	O-Ring	Junta Tórica	



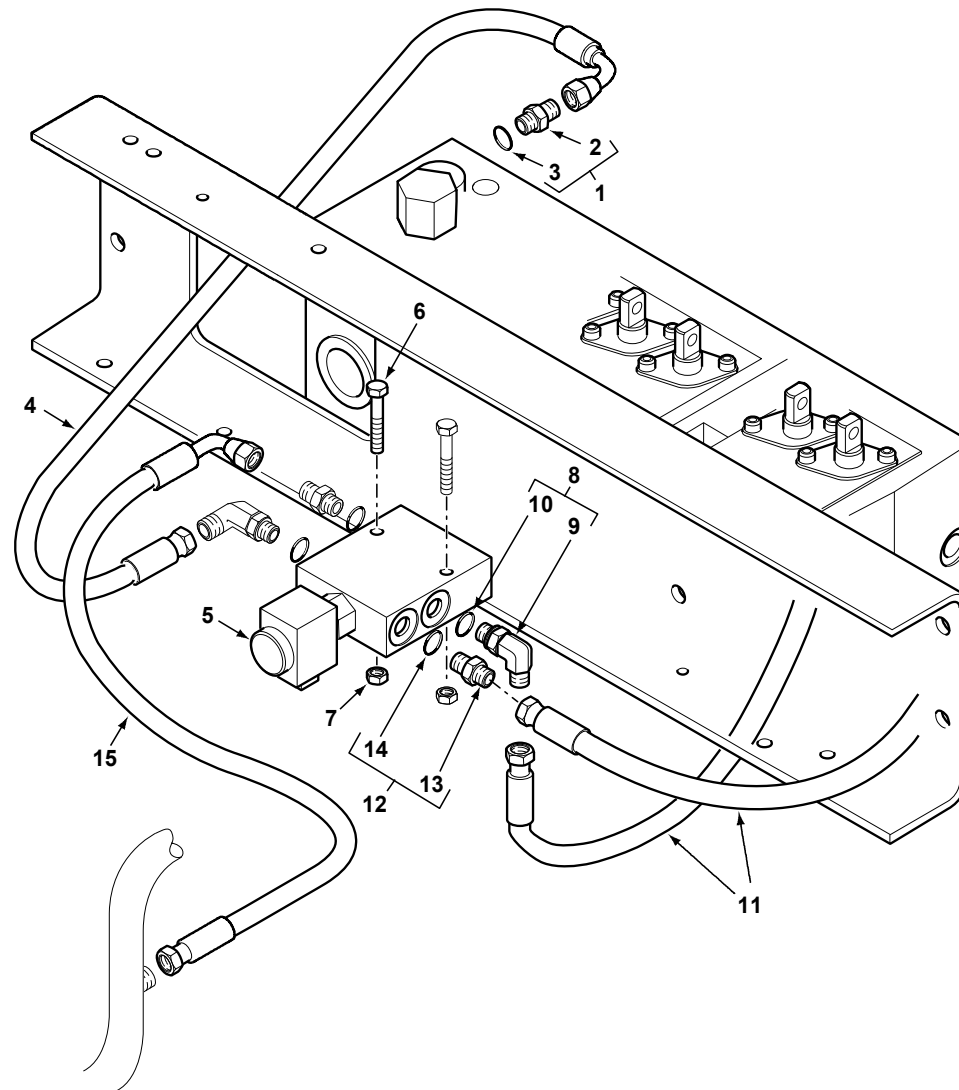
C-90011-01.1-A



Item	Part No.	Qty.	English	French	German	Spanish	Remarks
1	6110613M91	1	Miller Quick Attach - Jcb	Accouplement Rapide	Schnellkupplung Kpl.	Engan. Rápido, Conj.	
2	3516519M94	2	Pin & Plate 45-322,5	Axe	Bolzen	Pasador	
3	3501790M1	2	Washer M46-65-5 Z	Rondelle	Scheibe	Arandela	
4	3516522M91	2	Pin Safety Linch	Goupille D´Arrêt	Klappstecker	Pasador De Parada	
5	6102923M91	2	Hose - Digger Q/Attach., Miller	Flexible	Schlauch Kpl	Flexible, Conj.	
6	356612X1	2	Nut 7/16" Unf	Ecrou Unf	Mutter 7/16" Unf	Tuerca	
7	371089X1	2	Elbow 45 Deg	Coude, 45	Kniestück, 45°	Codo, 45°	
8	6106086M91	2	Hose-Miller Q/Attach Hyd.	Flexible Ass.	Schlauch Kpl	Flexible, Conj.	
9	#HOSE ASSY	2	Hose Assy	Hose Assy	Hose Assy	Hose Assy	90011c02.1 11
10	3517732M1	1	Clip, Hose	Collier Durit	Schlauchschelle	Argolla De Fijación	
11	D142787	1	Saddle (See 142787d)	Selle	Sattel	Bloque De Caucho	
12	1664405M1	6	Tie Mm T50s	Attache Cable	Kabelbinder	Enlace De Cable	
13	3517731M1	1	Clamp-Hose	Bride Pour Tutaux	Schlauchschelle	Argolla De Fijación	
14	D142787	1	Saddle (See 142787d)	Selle	Sattel	Bloque De Caucho	
15	515-22127	4	Clip-Coated P	Collier De Fixation	Befestigungsschelle	Argolla De Fijación	
16	6101777M91	1	Cover Assy. - Switch Operating	Cache	Abdeckung	Tapa	
17	6102490M1	1	Relay-Micro	Relais	Relais	Relé	



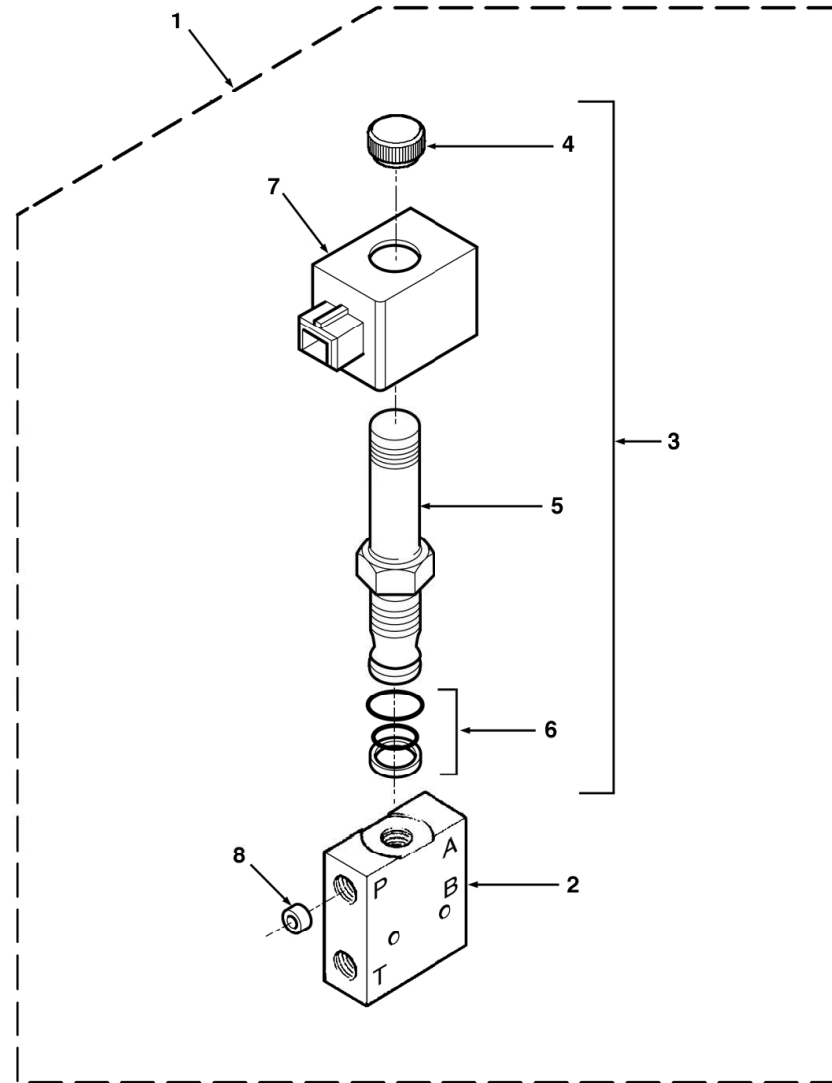
C-90011-02.1-A



Item	Part No.	Qty.	English	French	German	Spanish	Remarks
1	365830X91	1	Connector	Adaptateur	Reduziernippel	Unión	
2	#UNION	1	Union	Union	Union	Union	Ref. 1
3	#O-RING	1	O-Ring	Joint Torique	O-Ring	Junta Tórica	
4	6109910M91	1	Hose Assy - Q/A Feed	Flexible Ass.	Schlauch Kpl	Flexible, Conj.	
5	6106011M91	1	Valve-Digger Quick Attach.	Électrovalve	Magnetventil	Electroválvula	98011c03.1
6	391244X1	2	Bolt M6-45 Z5s	Goupille	Bolzen - M6 X 45	Perno	
7	1441500X1	2	Nut M6 Z5 Nyloc	Ecrou	Flachmutter M6	Tuerca De Retención	
8	370807X91	2	Elbow 90 7/16jic9/16or	Coude, 90	Kniestück, 90°	Codo, 90°	
9	#ELBOW	1	Elbow	Elbow	Elbow	Elbow	Ref. 8
10	831452M1	1	O Ring (Pack Of 10)	Joint Torique	O Ring	Junta De Tipo O	
11	6102806M91	1	Hose-Quick Attach	Flexible Ass.	Schlauch Kpl	Flexible, Conj.	Yellow
11	6111273M91	1	Hose Assembly - Q/Attach	Ensemble Durit	Schlauch Kpl	Flexible, Conj.	
12	365065X91	2	Connector 7/16x9/16	Borne	Doppelnippel	Unión	
13	#UNION	1	Union	Union	Union	Union	Ref. 12
14	831452M1	1	O Ring (Pack Of 10)	Joint Torique	O Ring	Junta De Tipo O	
15	3519226M91	1	Hose Assy	Flexible Ass.	Schlauch Kpl	Flexible, Conj.	



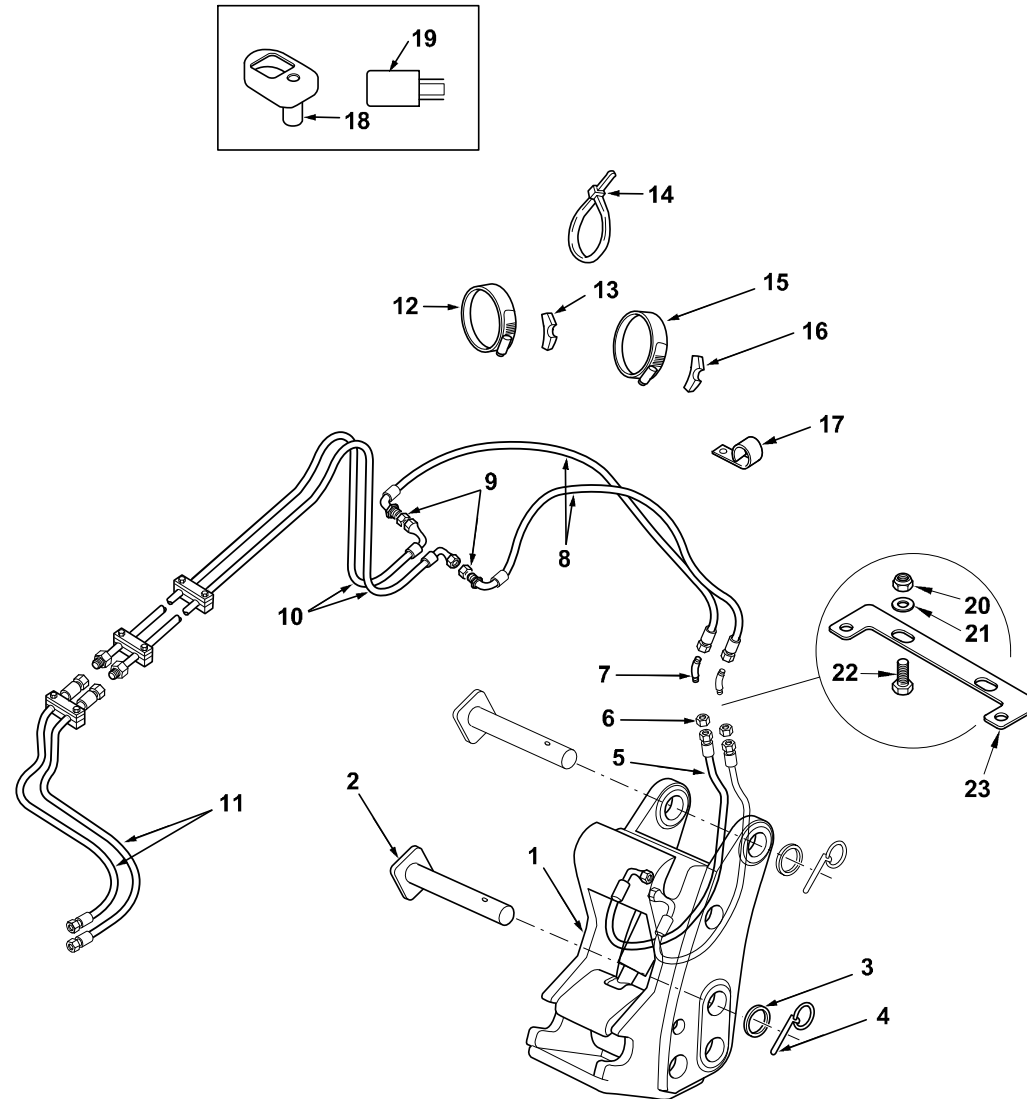
C-90011-03.1-A



Item	Part No.	Qty.	English	French	German	Spanish	Remarks
1	6106011M91	1	Valve-Digger Quick Attach.	Électrovalve	Magnetventil	Electroválvula	90011c02.1 5
2	#BODY	1	Body	Body	Body	Body	Ref. 1
3	6193020M91	1	Cartridge Assy	Cartouche Ass.	Einsatz Kplt	Solenoido, Conj.	
4	#NUT	1	Nut	Ecrou	Mutter	Tuerca	Ref. 3
5	#CARTRIDGE	1	Cartridge	Cartridge	Cartridge	Cartridge	Ref. 3
6	6193022M91	1	Kit Seal	Jeu Étanchéité	Dichtringsatz	Juego De Juntas	
7	6191096M91	1	Coil Assy.	Bobine	Wicklung, Spule	Bobina	
8	6193021M1	1	Restrictor	Réduction	Reduzierstück	Reducción	



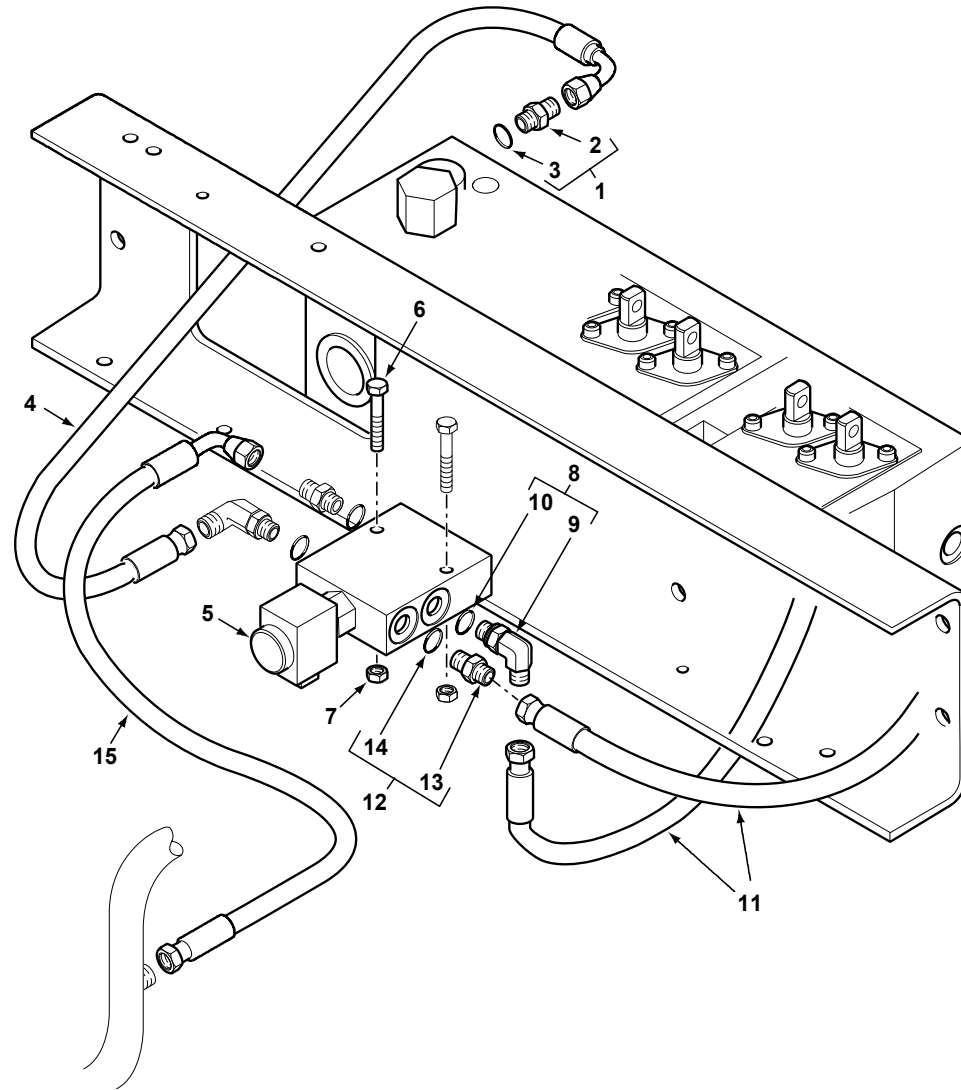
C-90012-01.1-B



Item	Part No.	Qty.	English	French	German	Spanish	Remarks
1	6110613M91	1	Miller Quick Attach - Jcb	Accouplement Rapide	Schnellkupplung Kpl.	Engan. Rápido, Conj.	
2	3516519M94	2	Pin & Plate 45-322,5	Axe	Bolzen	Pasador	
3	3501790M1	2	Washer M46-65-5 Z	Rondelle	Scheibe	Arandela	
4	3516522M91	2	Pin Safety Linch	Goupille D'Arrêt	Klappstecker	Pasador De Parada	
5	6102923M91	2	Hose - Digger Q/Attach., Miller	Flexible	Schlauch Kpl	Flexible, Conj.	
6	356612X1	2	Nut 7/16" Unf	Ecrou Unf	Mutter 7/16" Unf	Tuerca	
7	371089X1	2	Elbow 45 Deg	Coude, 45	Kniestück, 45°	Codo, 45°	
8	6102922M92	2	Hose-Miller Q/Attach Hyd.	Ensemble Durit	Schlauch Kpl	Flexible, Conj.	
9	356612X1	2	Nut 7/16" Unf	Ecrou Unf	Mutter 7/16" Unf	Tuerca	
10	3521945M95	1	Hose Assy. - Digger Quick Attach	Flexible Ass.	Schlauch Kpl	Flexible, Conj.	Yellow
10	6111272M91	1	Hose Assembly - Q/Attach Boom	Ensemble Durit	Schlauch Kpl	Flexible, Conj.	Black
11	#HOSE ASSY	2	Hose Assy	Hose Assy	Hose Assy	Hose Assy	90012c02.1 11
12	3517732M1	1	Clip, Hose	Collier Durit	Schlauchschelle	Argolla De Fijación	
13	D142787	1	Saddle (See 142787d)	Selle	Sattel	Bloque De Caucho	
14	1664405M1	6	Tie Mm T50s	Attache Cable	Kabelbinder	Enlace De Cable	
15	3517731M1	1	Clamp-Hose	Bride Pour Tutaux	Schlauchschelle	Argolla De Fijación	
16	D142787	1	Saddle (See 142787d)	Selle	Sattel	Bloque De Caucho	
17	515-22127	4	Clip-Coated P	Collier De Fixation	Befestigungsschelle	Argolla De Fijación	
18	6101777M91	1	Cover Assy. - Switch Operating	Cache	Abdeckung	Tapa	
19	6102490M1	1	Relay-Micro	Relais	Relais	Relé	
20	1440329X1	2	Nut, Hex. - Nyloc, M10	Ecrou Blocage	Flachmutter M10	Tuerca De Retención	
21	390597X1	2	Washer, Large - M10	Rondelle	Scheible	Arandela	
22	3009492X1	2	Bolt - Hex. M10 X 25	Boulon M10 X 25	Schraube M10 X 25	Tornillo	
23	6112498M1	1	Bracket	Support Fixation	Haltearm	Pata De Fijación	



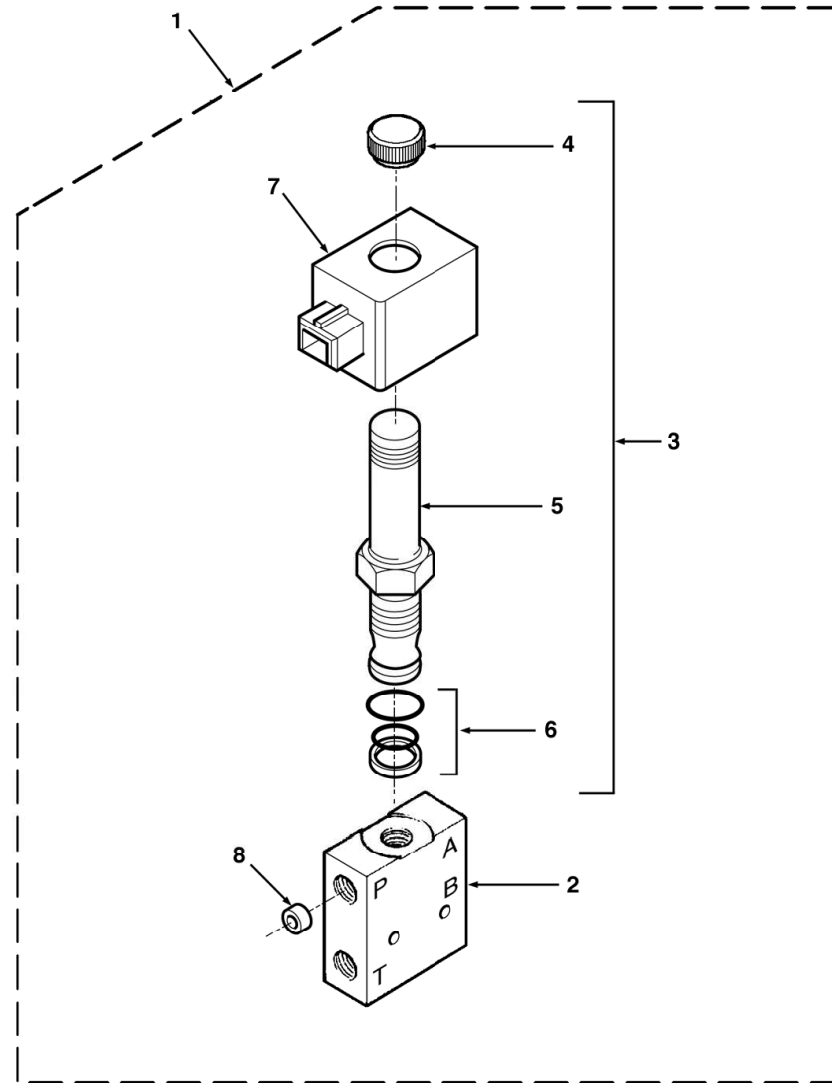
C-90012-02.1-A



Item	Part No.	Qty.	English	French	German	Spanish	Remarks
1	365830X91	1	Connector	Adaptateur	Reduziernippel	Unión	
2	#UNION	1	Union	Union	Union	Union	Ref. 1
3	#O-RING	1	O-Ring	Joint Torique	O-Ring	Junta Tórica	
4	6109910M91	1	Hose Assy - Q/A Feed	Flexible Ass.	Schlauch Kpl	Flexible, Conj.	
5	6106011M91	1	Valve-Digger Quick Attach.	Électrovalve	Magnetventil	Electroválvula	98012c03.1
6	391244X1	2	Bolt M6-45 Z5s	Goupille	Bolzen - M6 X 45	Perno	
7	1441500X1	2	Nut M6 Z5 Nyloc	Ecrou	Flachmutter M6	Tuerca De Retención	
8	370807X91	2	Elbow 90 7/16jic9/16or	Coude, 90	Kniestück, 90°	Codo, 90°	
9	#ELBOW	1	Elbow	Elbow	Elbow	Elbow	Ref. 8
10	831452M1	1	O Ring (Pack Of 10)	Joint Torique	O Ring	Junta De Tipo O	
11	6102806M91	1	Hose-Quick Attach	Flexible Ass.	Schlauch Kpl	Flexible, Conj.	Yellow
11	6111273M91	1	Hose Assembly - Q/Attach	Ensemble Durit	Schlauch Kpl	Flexible, Conj.	
12	365065X91	2	Connector 7/16x9/16	Borne	Doppelnippel	Unión	
13	#UNION	1	Union	Union	Union	Union	Ref. 12
14	831452M1	1	O Ring (Pack Of 10)	Joint Torique	O Ring	Junta De Tipo O	
15	3519226M91	1	Hose Assy	Flexible Ass.	Schlauch Kpl	Flexible, Conj.	



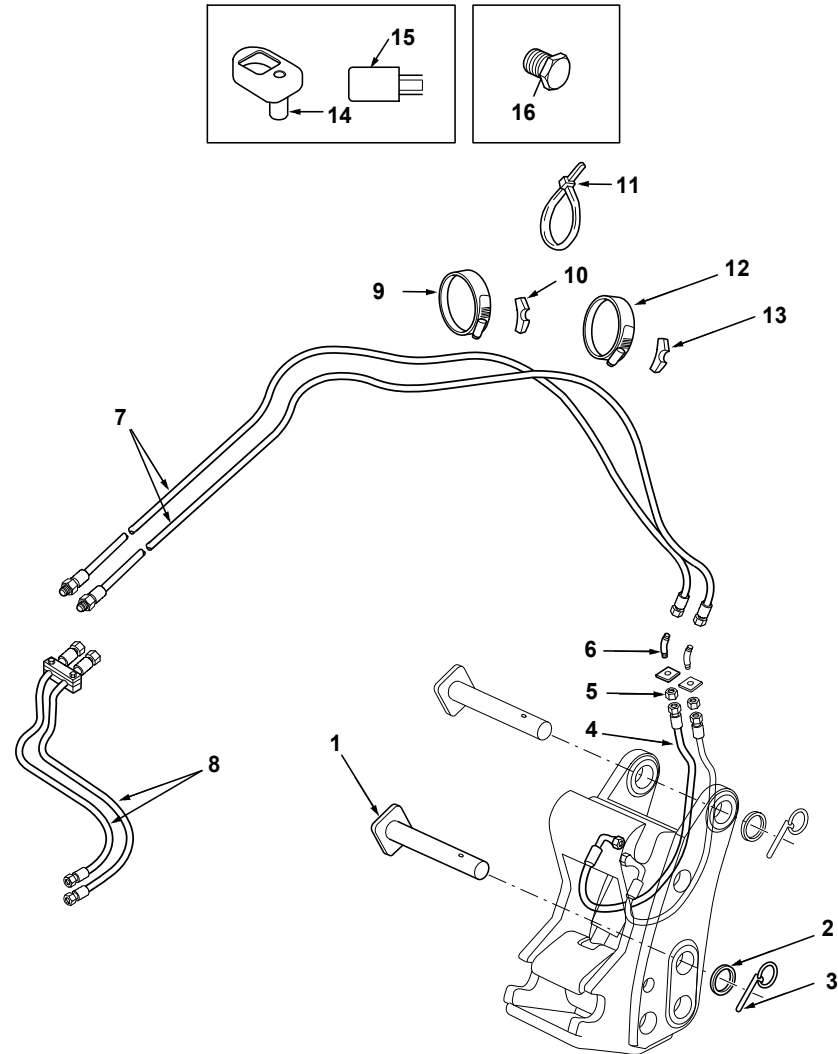
C-90012-03.1-A



Item	Part No.	Qty.	English	French	German	Spanish	Remarks
1	6106011M91	1	Valve-Digger Quick Attach.	Électrovalve	Magnetventil	Electroválvula	90012c02.1 5
2	#BODY	1	Body	Body	Body	Body	Ref. 1
3	6193020M91	1	Cartridge Assy	Cartouche Ass.	Einsatz Kplt	Solenoido, Conj.	
4	#NUT	1	Nut	Ecrou	Mutter	Tuerca	Ref. 3
5	#CARTRIDGE	1	Cartridge	Cartridge	Cartridge	Cartridge	Ref. 3
6	6193022M91	1	Kit Seal	Jeu Étanchéité	Dichtringsatz	Juego De Juntas	
7	6191096M91	1	Coil Assy.	Bobine	Wicklung, Spule	Bobina	
8	6193021M1	1	Restrictor	Réduction	Reduzierstück	Reducción	



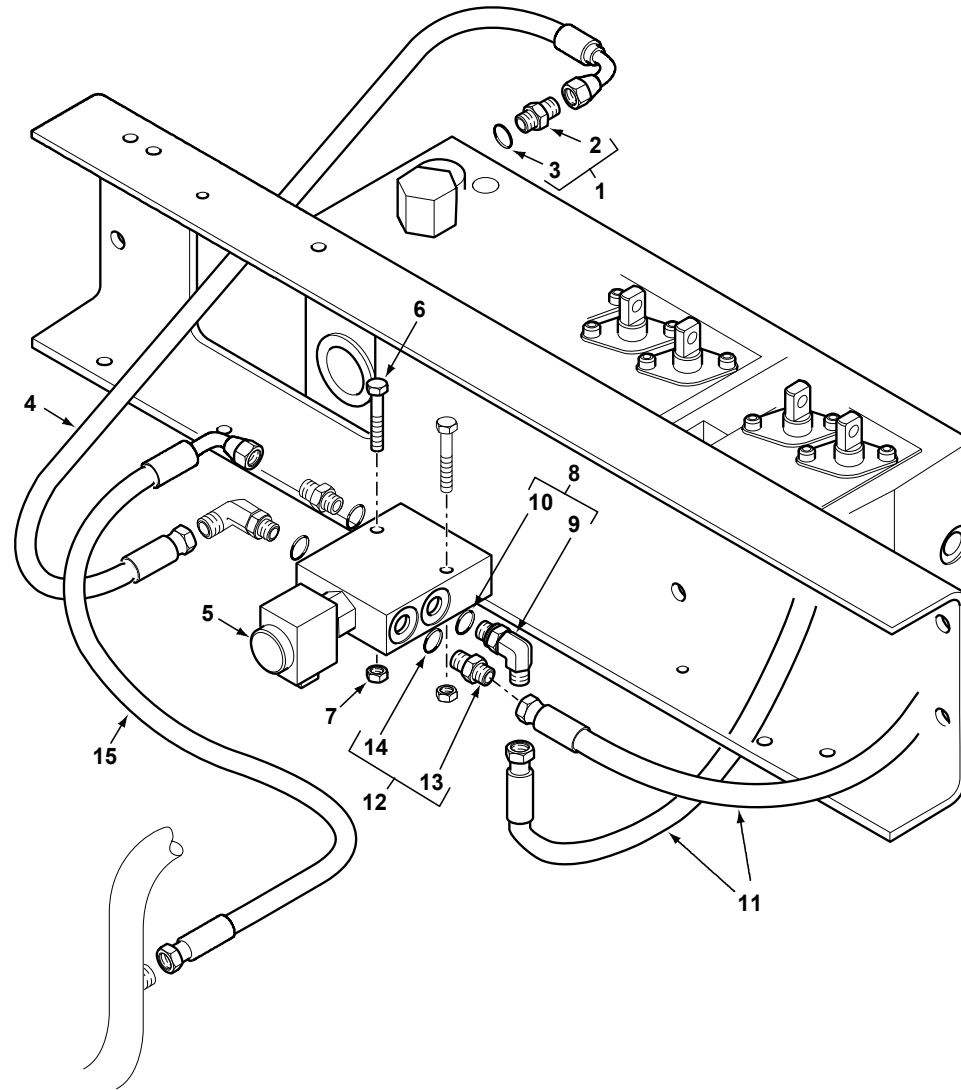
C-90013-01.1-A



Item	Part No.	Qty.	English	French	German	Spanish	Remarks
1	3516519M94	2	Pin & Plate 45-322,5	Axe	Bolzen	Pasador	
2	3501790M1	2	Washer M46-65-5 Z	Rondelle	Scheibe	Arandela	
3	3516522M91	2	Pin Safety Linch	Goupille D´Arrêt	Klappstecker	Pasador De Parada	
4	6102923M91	2	Hose - Digger Q/Attach., Miller	Flexible	Schlauch Kpl	Flexible, Conj.	
5	356612X1	2	Nut 7/16" Unf	Ecrou Unf	Mutter 7/16" Unf	Tuerca	
6	371089X1	2	Elbow 45 Deg	Coude, 45	Kniestück, 45°	Codo, 45°	
7	6106086M91	2	Hose-Miller Q/Attach Hyd.	Flexible Ass.	Schlauch Kpl	Flexible, Conj.	
8	#HOSE ASSY	2	Hose Assy	Hose Assy	Hose Assy	Hose Assy	90013c02.1 11
9	3517732M1	1	Clip, Hose	Collier Durit	Schlauchschelle	Argolla De Fijación	
10	D142787	1	Saddle (See 142787d)	Selle	Sattel	Bloque De Caucho	
11	1664405M1	6	Tie Mm T50s	Attache Cable	Kabelbinder	Enlace De Cable	
12	3517731M1	1	Clamp-Hose	Bride Pour Tutaux	Schlauchschelle	Argolla De Fijación	
13	D142787	1	Saddle (See 142787d)	Selle	Sattel	Bloque De Caucho	
14	6101777M91	1	Cover Assy. - Switch Operating	Cache	Abdeckung	Tapa	
15	6102490M1	1	Relay-Micro	Relais	Relais	Relé	
16	218-772	2	Plug-37deg Flared Tube	Bouchon	Stopfen	Tapón	



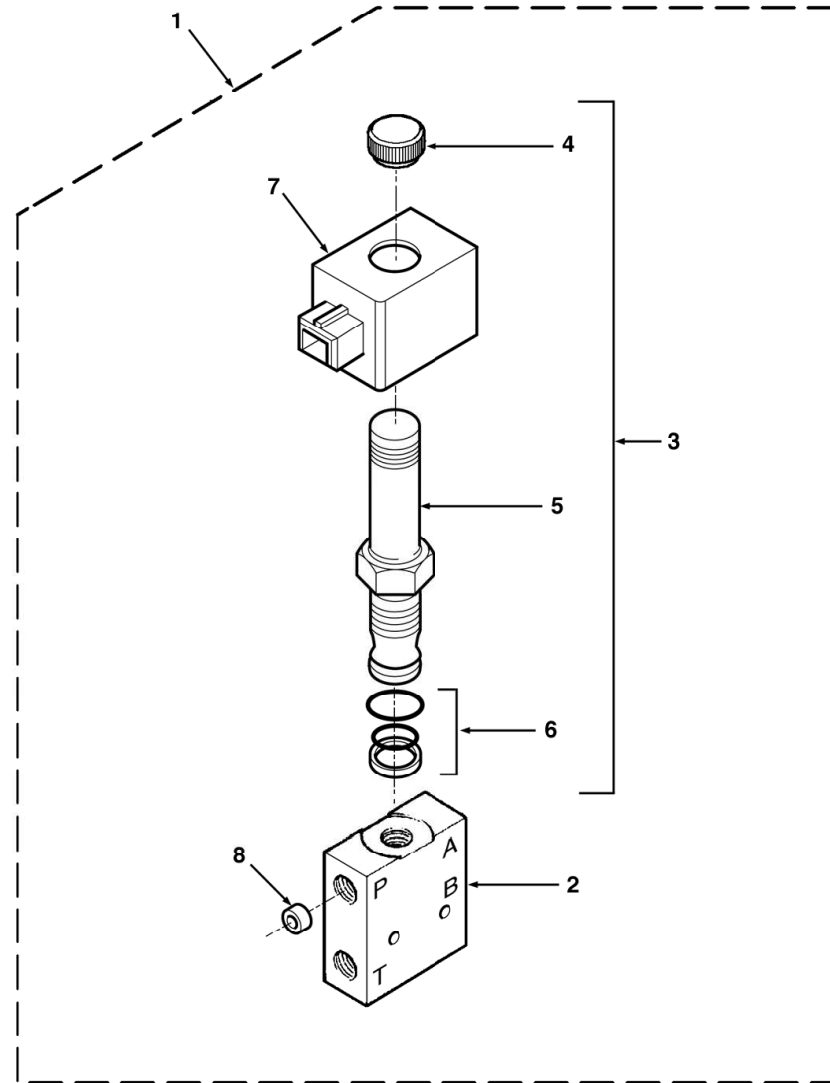
C-90013-02.1-A



Item	Part No.	Qty.	English	French	German	Spanish	Remarks
1	365830X91	1	Connector	Adaptateur	Reduziernippel	Unión	
2	#UNION	1	Union	Union	Union	Union	Ref. 1
3	#O-RING	1	O-Ring	Joint Torique	O-Ring	Junta Tórica	
4	6109910M91	1	Hose Assy - Q/A Feed	Flexible Ass.	Schlauch Kpl	Flexible, Conj.	
5	6106011M91	1	Valve-Digger Quick Attach.	Électrovalve	Magnetventil	Electroválvula	90013c03.1
6	391244X1	2	Bolt M6-45 Z5s	Goupille	Bolzen - M6 X 45	Perno	
7	1441500X1	2	Nut M6 Z5 Nyloc	Ecrou	Flachmutter M6	Tuerca De Retención	
8	370807X91	2	Elbow 90 7/16jic9/16or	Coude, 90	Kniestück, 90°	Codo, 90°	
9	#ELBOW	1	Elbow	Elbow	Elbow	Elbow	Ref. 8
10	831452M1	1	O Ring (Pack Of 10)	Joint Torique	O Ring	Junta De Tipo O	
11	6102806M91	2	Hose-Quick Attach	Flexible Ass.	Schlauch Kpl	Flexible, Conj.	
12	365065X91	2	Connector 7/16x9/16	Borne	Doppelnippel	Unión	
13	#UNION	1	Union	Union	Union	Union	Ref. 12
14	831452M1	1	O Ring (Pack Of 10)	Joint Torique	O Ring	Junta De Tipo O	
15	3519226M91	1	Hose Assy	Flexible Ass.	Schlauch Kpl	Flexible, Conj.	



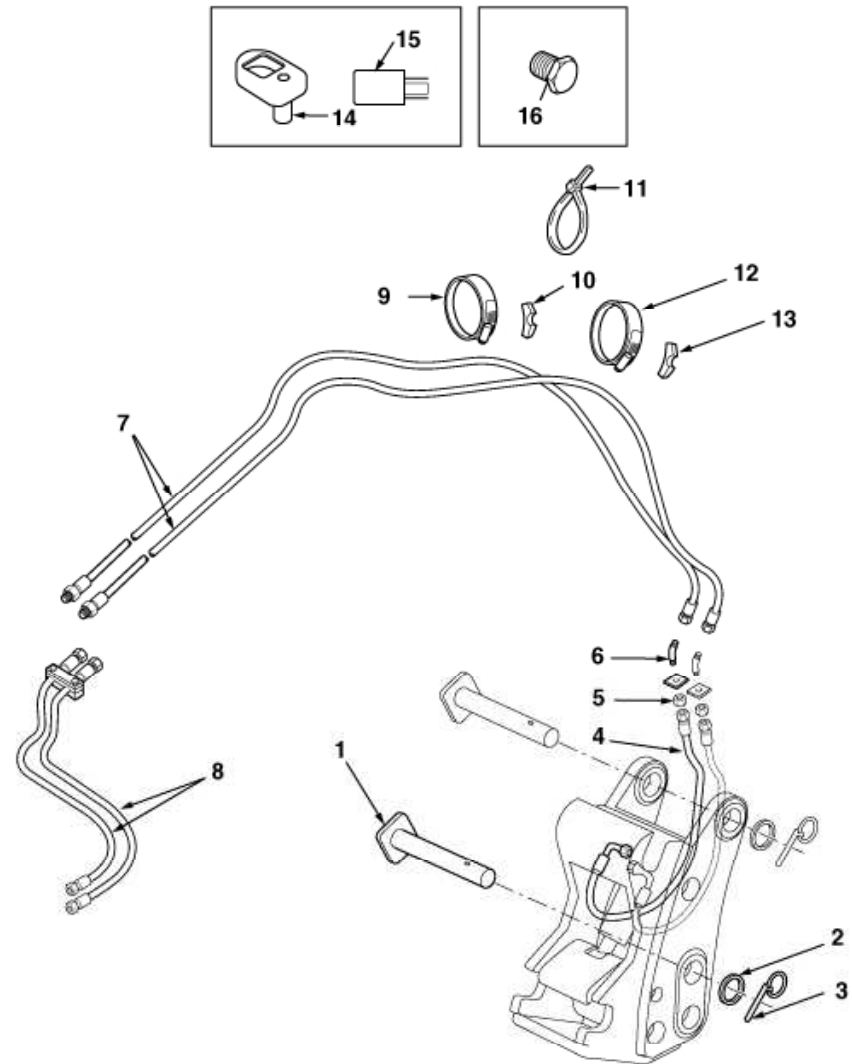
C-90013-03.1-A



Item	Part No.	Qty.	English	French	German	Spanish	Remarks
1	6106011M91	1	Valve-Digger Quick Attach.	Électrovalve	Magnetventil	Electroválvula	90013c02.1 5
2	#BODY	1	Body	Body	Body	Body	Ref. 1
3	6193020M91	1	Cartridge Assy	Cartouche Ass.	Einsatz Kplt	Solenoido, Conj.	
4	#NUT	1	Nut	Ecrou	Mutter	Tuerca	Ref. 3
5	#CARTRIDGE	1	Cartridge	Cartridge	Cartridge	Cartridge	Ref. 3
6	6193022M91	1	Kit Seal	Jeu Étanchéité	Dichtringsatz	Juego De Juntas	
7	6191096M91	1	Coil Assy.	Bobine	Wicklung, Spule	Bobina	
8	6193021M1	1	Restrictor	Réduction	Reduzierstück	Reducción	



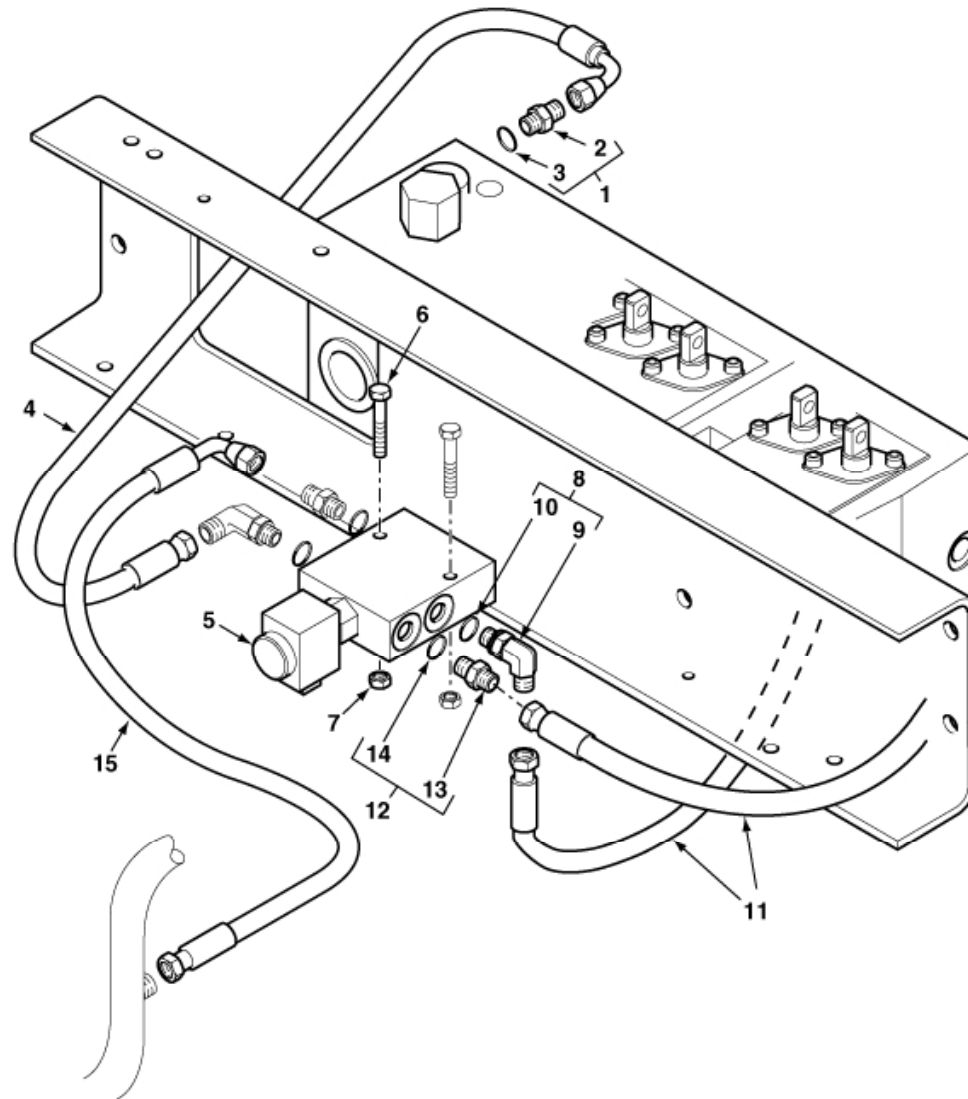
C-90014-01.1-A



Item	Part No.	Qty.	English	French	German	Spanish	Remarks
1	3516519M94	2	Pin & Plate 45-322,5	Axe	Bolzen	Pasador	
2	3501790M1	2	Washer M46-65-5 Z	Rondelle	Scheibe	Arandela	
3	3516522M91	2	Pin Safety Linch	Goupille D´Arrêt	Klappstecker	Pasador De Parada	
4	6102923M91	2	Hose - Digger Q/Attach., Miller	Flexible	Schlauch Kpl	Flexible, Conj.	
5	356612X1	2	Nut 7/16" Unf	Ecrou Unf	Mutter 7/16" Unf	Tuerca	
6	371089X1	2	Elbow 45 Deg	Coude, 45	Kniestück, 45°	Codo, 45°	
7	6106087M91	2	Hose-Miller Q/Attach Hyd.	Flexible	Schlauch Kpl	Flexible, Conj.	
8	#HOSE ASSY	2	Hose Assy	Hose Assy	Hose Assy	Hose Assy	90014c02.1 11
9	3517732M1	1	Clip, Hose	Collier Durit	Schlauchschelle	Argolla De Fijación	
10	D142787	1	Saddle (See 142787d)	Selle	Sattel	Bloque De Caucho	
11	1664405M1	6	Tie Mm T50s	Attache Cable	Kabelbinder	Enlace De Cable	
12	3517731M1	1	Clamp-Hose	Bride Pour Tutaux	Schlauchschelle	Argolla De Fijación	
13	D142787	1	Saddle (See 142787d)	Selle	Sattel	Bloque De Caucho	
14	6101777M91	1	Cover Assy. - Switch Operating	Cache	Abdeckung	Tapa	
15	6102490M1	1	Relay-Micro	Relais	Relais	Relé	
16	218-772	2	Plug-37deg Flared Tube	Bouchon	Stopfen	Tapón	



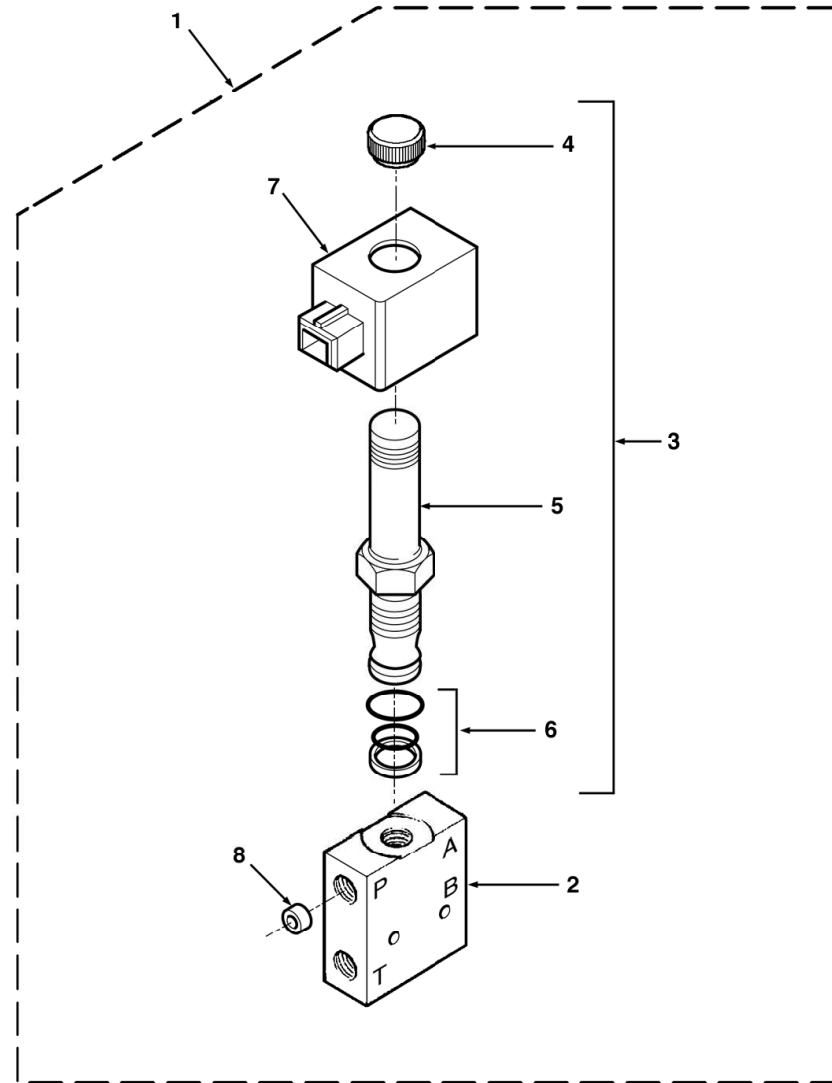
C-90014-02.1-A



Item	Part No.	Qty.	English	French	German	Spanish	Remarks
1	365830X91	1	Connector	Adaptateur	Reduziernippel	Unión	
2	#UNION	1	Union	Union	Union	Union	Ref. 1
3	#O-RING	1	O-Ring	Joint Torique	O-Ring	Junta Tórica	
4	6109910M91	1	Hose Assy - Q/A Feed	Flexible Ass.	Schlauch Kpl	Flexible, Conj.	
5	6106011M91	1	Valve-Digger Quick Attach.	Électrovalve	Magnetventil	Electroválvula	90014c03.1
6	391244X1	2	Bolt M6-45 Z5s	Goupille	Bolzen - M6 X 45	Perno	
7	1441500X1	2	Nut M6 Z5 Nyloc	Ecrou	Flachmutter M6	Tuerca De Retención	
8	370807X91	2	Elbow 90 7/16jic9/16or	Coude, 90	Kniestück, 90°	Codo, 90°	
9	#ELBOW	1	Elbow	Elbow	Elbow	Elbow	Ref. 8
10	831452M1	1	O Ring (Pack Of 10)	Joint Torique	O Ring	Junta De Tipo O	
11	6102806M91	2	Hose-Quick Attach	Flexible Ass.	Schlauch Kpl	Flexible, Conj.	
12	365065X91	2	Connector 7/16x9/16	Borne	Doppelnippel	Unión	
13	#UNION	1	Union	Union	Union	Union	Ref. 12
14	831452M1	1	O Ring (Pack Of 10)	Joint Torique	O Ring	Junta De Tipo O	
15	3519226M91	1	Hose Assy	Flexible Ass.	Schlauch Kpl	Flexible, Conj.	

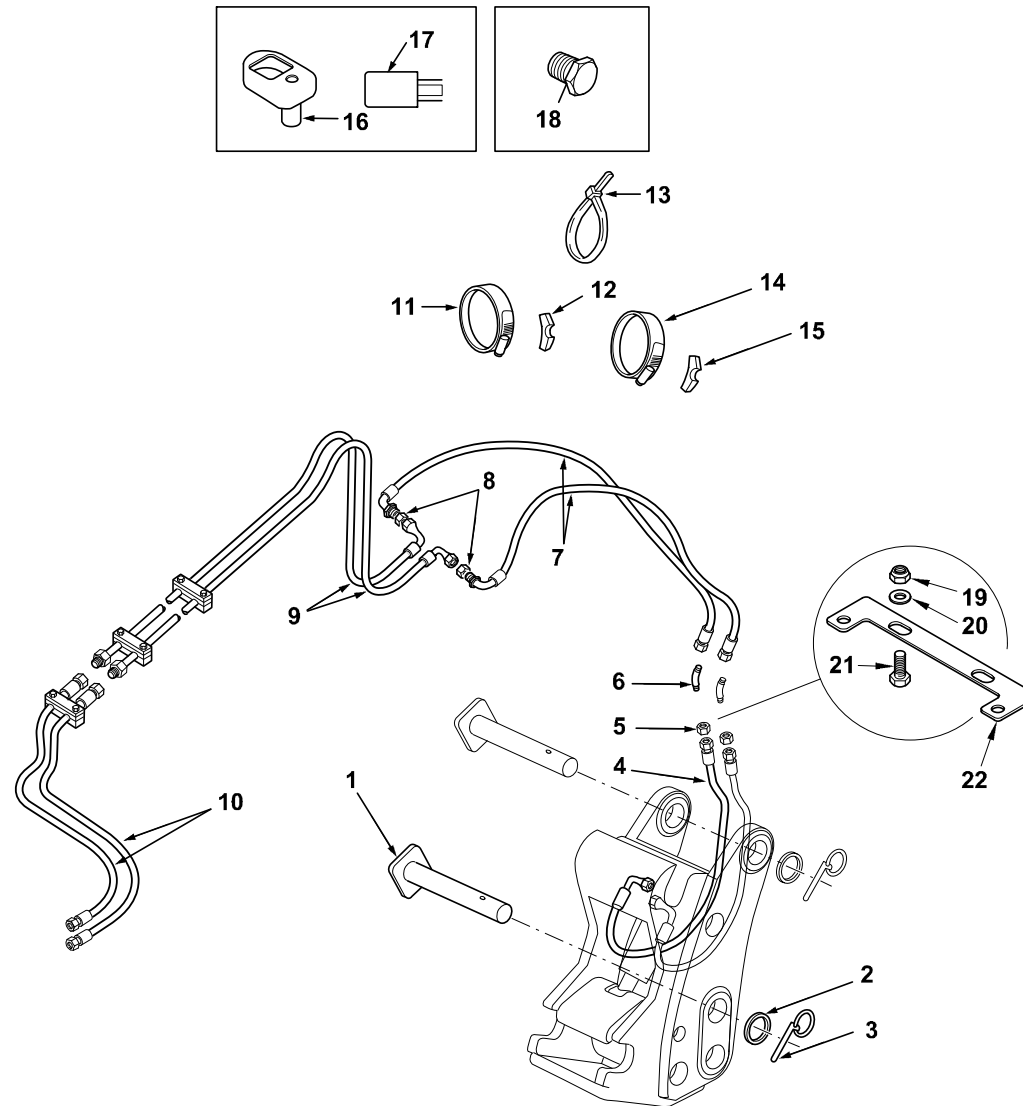


C-90014-03.1-A



Item	Part No.	Qty.	English	French	German	Spanish	Remarks
1	6106011M91	1	Valve-Digger Quick Attach.	Électrovalve	Magnetventil	Electroválvula	90014c02.1 5
2	#BODY	1	Body	Body	Body	Body	Ref. 1
3	6193020M91	1	Cartridge Assy	Cartouche Ass.	Einsatz Kplt	Solenoido, Conj.	
4	#NUT	1	Nut	Ecrou	Mutter	Tuerca	Ref. 3
5	#CARTRIDGE	1	Cartridge	Cartridge	Cartridge	Cartridge	Ref. 3
6	6193022M91	1	Kit Seal	Jeu Étanchéité	Dichtringsatz	Juego De Juntas	
7	6191096M91	1	Coil Assy.	Bobine	Wicklung, Spule	Bobina	
8	6193021M1	1	Restrictor	Réduction	Reduzierstück	Reducción	

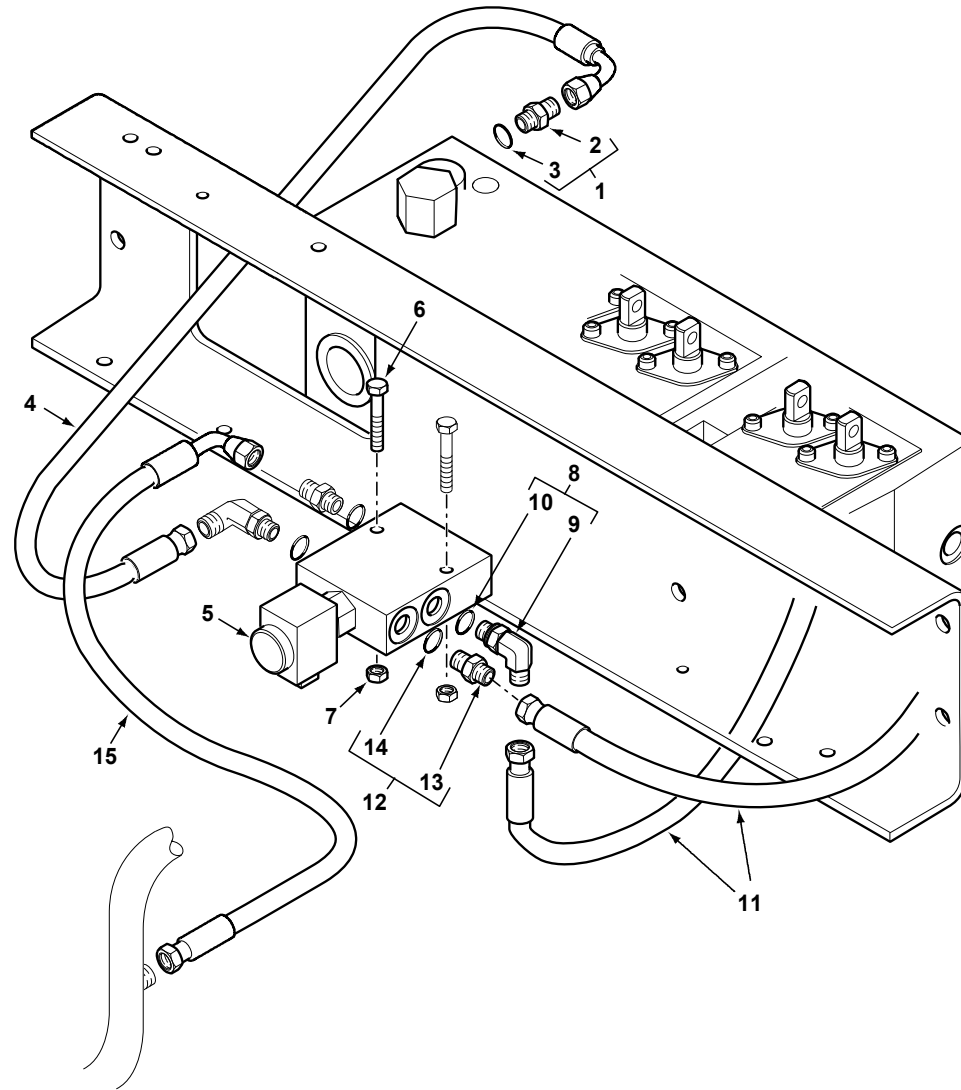
C-90015-01.1-B



Item	Part No.	Qty.	English	French	German	Spanish	Remarks
1	3516519M94	2	Pin & Plate 45-322,5	Axe	Bolzen	Pasador	
2	3501790M1	2	Washer M46-65-5 Z	Rondelle	Scheibe	Arandela	
3	3516522M91	2	Pin Safety Linch	Goupille D´Arrêt	Klappstecker	Pasador De Parada	
4	6102923M91	2	Hose - Digger Q/Attach., Miller	Flexible	Schlauch Kpl	Flexible, Conj.	
5	356612X1	2	Nut 7/16" Unf	Ecrou Unf	Mutter 7/16" Unf	Tuerca	
6	371089X1	2	Elbow 45 Deg	Coude, 45	Kniestück, 45°	Codo, 45°	
7	6102922M92	2	Hose-Miller Q/Attach Hyd.	Ensemble Durit	Schlauch Kpl	Flexible, Conj.	
8	356612X1	2	Nut 7/16" Unf	Ecrou Unf	Mutter 7/16" Unf	Tuerca	
9	3521945M95	1	Hose Assy. - Digger Quick Attach	Flexible Ass.	Schlauch Kpl	Flexible, Conj.	Yellow
9	6111272M91	1	Hose Assembly - Q/Attach Boom	Ensemble Durit	Schlauch Kpl	Flexible, Conj.	Black
10	#HOSE ASSY	2	Hose Assy	Hose Assy	Hose Assy	Hose Assy	90015c02.1 11
11	3517732M1	1	Clip, Hose	Collier Durit	Schlauchschelle	Argolla De Fijación	
12	D142787	1	Saddle (See 142787d)	Selle	Sattel	Bloque De Caucho	
13	1664405M1	6	Tie Mm T50s	Attache Cable	Kabelbinder	Enlace De Cable	
14	3517731M1	1	Clamp-Hose	Bride Pour Tutaux	Schlauchschelle	Argolla De Fijación	
15	D142787	1	Saddle (See 142787d)	Selle	Sattel	Bloque De Caucho	
16	6101777M91	1	Cover Assy. - Switch Operating	Cache	Abdeckung	Tapa	
17	6102490M1	1	Relay-Micro	Relais	Relais	Relé	
18	218-772	2	Plug-37deg Flared Tube	Bouchon	Stopfen	Tapón	
19	1440329X1	2	Nut, Hex. - Nyloc, M10	Ecrou Blocage	Flachmutter M10	Tuerca De Retención	
20	390597X1	2	Washer, Large - M10	Rondelle	Scheible	Arandela	
21	3009492X1	2	Bolt - Hex. M10 X 25	Boulon M10 X 25	Schraube M10 X 25	Tornillo	
22	6112498M1	1	Bracket	Support Fixation	Haltearm	Pata De Fijación	



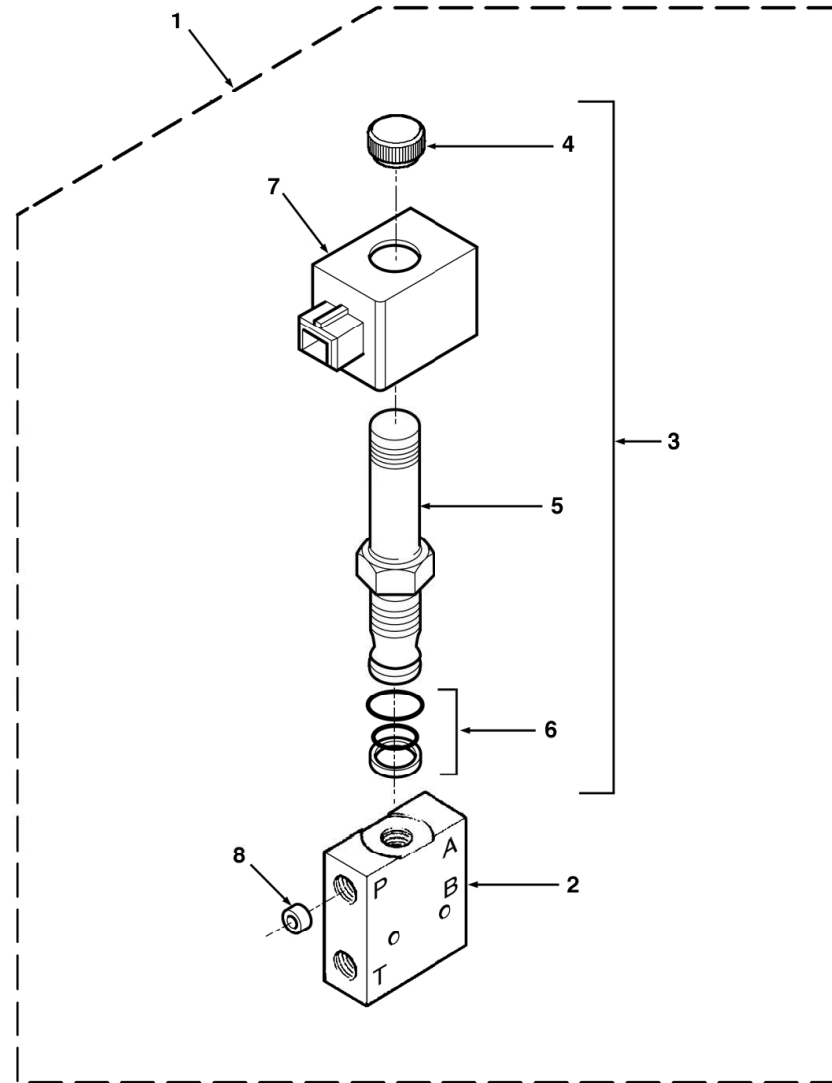
C-90015-02.1-A



Item	Part No.	Qty.	English	French	German	Spanish	Remarks
1	365830X91	1	Connector	Adaptateur	Reduziernippel	Unión	
2	#UNION	1	Union	Union	Union	Union	Ref. 1
3	#O-RING	1	O-Ring	Joint Torique	O-Ring	Junta Tórica	
4	6109910M91	1	Hose Assy - Q/A Feed	Flexible Ass.	Schlauch Kpl	Flexible, Conj.	
5	6106011M91	1	Valve-Digger Quick Attach.	Électrovalve	Magnetventil	Electroválvula	90015c03.1
6	391244X1	2	Bolt M6-45 Z5s	Goupille	Bolzen - M6 X 45	Perno	
7	1441500X1	2	Nut M6 Z5 Nyloc	Ecrou	Flachmutter M6	Tuerca De Retención	
8	370807X91	2	Elbow 90 7/16jic9/16or	Coude, 90	Kniestück, 90°	Codo, 90°	
9	#ELBOW	1	Elbow	Elbow	Elbow	Elbow	Ref. 8
10	831452M1	1	O Ring (Pack Of 10)	Joint Torique	O Ring	Junta De Tipo O	
11	6102806M91	1	Hose-Quick Attach	Flexible Ass.	Schlauch Kpl	Flexible, Conj.	Yellow
11	6111273M91	1	Hose Assembly - Q/Attach	Ensemble Durit	Schlauch Kpl	Flexible, Conj.	
12	365065X91	2	Connector 7/16x9/16	Borne	Doppelnippel	Unión	
13	#UNION	1	Union	Union	Union	Union	Ref. 12
14	831452M1	1	O Ring (Pack Of 10)	Joint Torique	O Ring	Junta De Tipo O	
15	3519226M91	1	Hose Assy	Flexible Ass.	Schlauch Kpl	Flexible, Conj.	



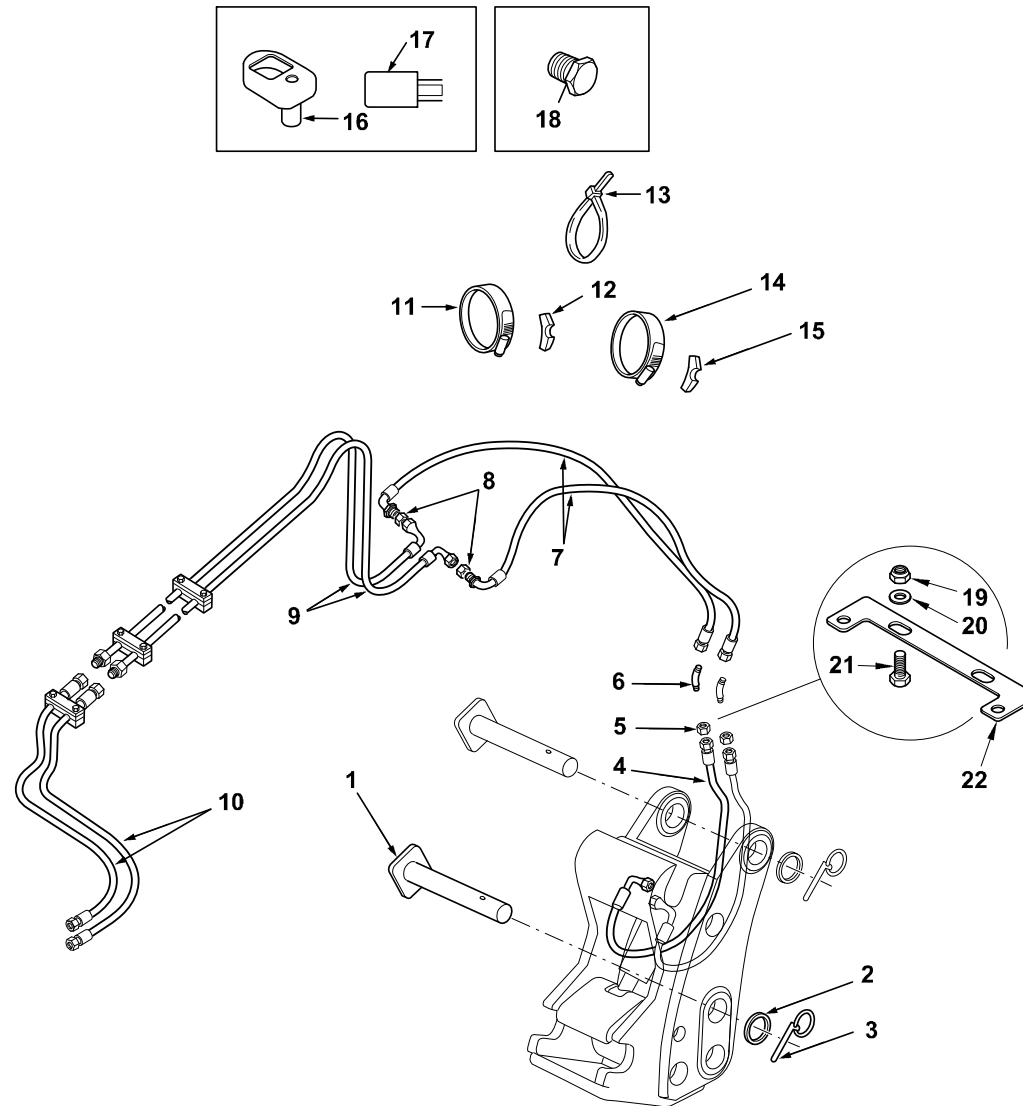
C-90015-03.1-A



Item	Part No.	Qty.	English	French	German	Spanish	Remarks
1	6106011M91	1	Valve-Digger Quick Attach.	Électrovalve	Magnetventil	Electroválvula	90015c02.1 5
2	#BODY	1	Body	Body	Body	Body	Ref. 1
3	6193020M91	1	Cartridge Assy	Cartouche Ass.	Einsatz Kplt	Solenoido, Conj.	
4	#NUT	1	Nut	Ecrou	Mutter	Tuerca	Ref. 3
5	#CARTRIDGE	1	Cartridge	Cartridge	Cartridge	Cartridge	Ref. 3
6	6193022M91	1	Kit Seal	Jeu Étanchéité	Dichtringsatz	Juego De Juntas	
7	6191096M91	1	Coil Assy.	Bobine	Wicklung, Spule	Bobina	
8	6193021M1	1	Restrictor	Réduction	Reduzierstück	Reducción	



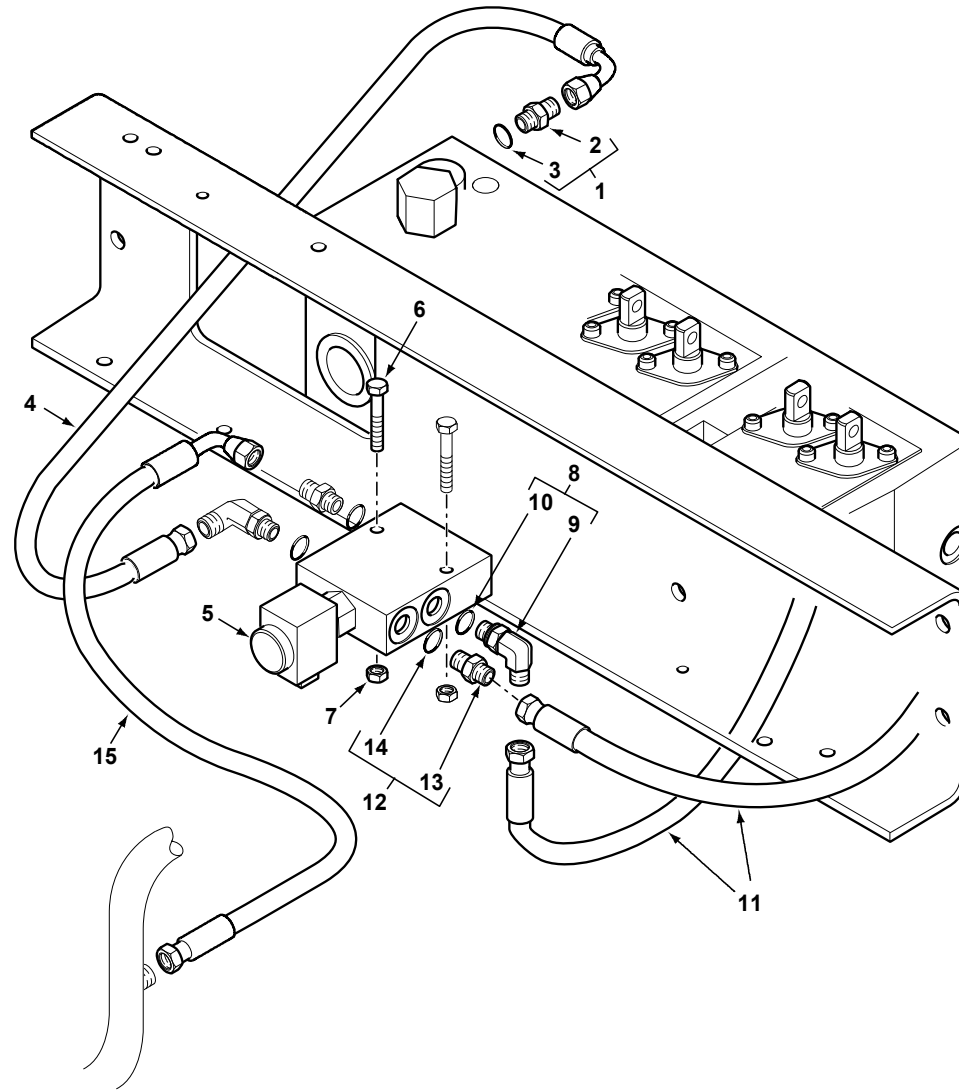
C-90016-01.1-B



Item	Part No.	Qty.	English	French	German	Spanish	Remarks
1	3516519M94	2	Pin & Plate 45-322,5	Axe	Bolzen	Pasador	
2	3501790M1	2	Washer M46-65-5 Z	Rondelle	Scheibe	Arandela	
3	3516522M91	2	Pin Safety Linch	Goupille D´ Arrêt	Klappstecker	Pasador De Parada	
4	6102923M91	2	Hose - Digger Q/Attach., Miller	Flexible	Schlauch Kpl	Flexible, Conj.	
5	356612X1	2	Nut 7/16" Unf	Ecrou Unf	Mutter 7/16" Unf	Tuerca	
6	371089X1	2	Elbow 45 Deg	Coude, 45	Kniestück, 45°	Codo, 45°	
7	6102922M92	2	Hose-Miller Q/Attach Hyd.	Ensemble Durit	Schlauch Kpl	Flexible, Conj.	
8	356612X1	2	Nut 7/16" Unf	Ecrou Unf	Mutter 7/16" Unf	Tuerca	
9	3518145M91	2	Hose Assy	Flexible	Schlauch Kpl	Flexible, Conj.	
10	#HOSE ASSY	2	Hose Assy	Hose Assy	Hose Assy	Hose Assy	90016c02.1 11
11	3517732M1	1	Clip, Hose	Collier Durit	Schlauchschelle	Argolla De Fijación	
12	D142787	1	Saddle (See 142787d)	Selle	Sattel	Bloque De Caucho	
13	1664405M1	6	Tie Mm T50s	Attache Cable	Kabelbinder	Enlace De Cable	
14	3517731M1	1	Clamp-Hose	Bride Pour Tutaux	Schlauchschelle	Argolla De Fijación	
15	D142787	1	Saddle (See 142787d)	Selle	Sattel	Bloque De Caucho	
16	6101777M91	1	Cover Assy. - Switch Operating	Cache	Abdeckung	Tapa	
17	6102490M1	1	Relay-Micro	Relais	Relais	Relé	
18	218-772	2	Plug-37deg Flared Tube	Bouchon	Stopfen	Tapón	
19	1440329X1	2	Nut, Hex. - Nyloc, M10	Ecrou Blocage	Flachmutter M10	Tuerca De Retención	
20	390597X1	2	Washer, Large - M10	Rondelle	Scheible	Arandela	
21	3009492X1	2	Bolt - Hex. M10 X 25	Boulon M10 X 25	Schraube M10 X 25	Tornillo	
22	6112498M1	1	Bracket	Support Fixation	Haltearm	Pata De Fijación	



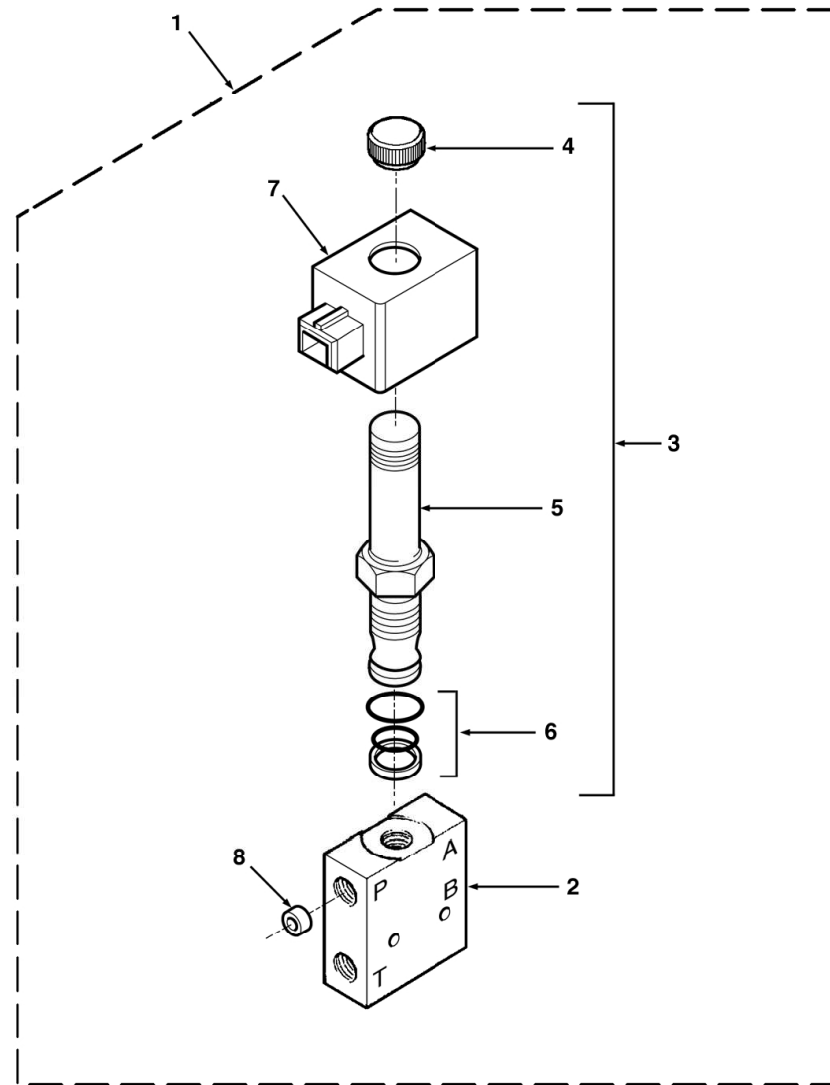
C-90016-02.1-A



Item	Part No.	Qty.	English	French	German	Spanish	Remarks
1	365830X91	1	Connector	Adaptateur	Reduziernippel	Unión	
2	#UNION	1	Union	Union	Union	Union	Ref. 1
3	#O-RING	1	O-Ring	Joint Torique	O-Ring	Junta Tórica	
4	6109910M91	1	Hose Assy - Q/A Feed	Flexible Ass.	Schlauch Kpl	Flexible, Conj.	
5	6106011M91	1	Valve-Digger Quick Attach.	Électrovalve	Magnetventil	Electroválvula	90016c03.1
6	391244X1	2	Bolt M6-45 Z5s	Goupille	Bolzen - M6 X 45	Perno	
7	1441500X1	2	Nut M6 Z5 Nyloc	Ecrou	Flachmutter M6	Tuerca De Retención	
8	370807X91	2	Elbow 90 7/16jic9/16or	Coude, 90	Kniestück, 90°	Codo, 90°	
9	#ELBOW	1	Elbow	Elbow	Elbow	Elbow	Ref. 8
10	831452M1	1	O Ring (Pack Of 10)	Joint Torique	O Ring	Junta De Tipo O	
11	6102806M91	2	Hose-Quick Attach	Flexible Ass.	Schlauch Kpl	Flexible, Conj.	
12	365065X91	2	Connector 7/16x9/16	Borne	Doppelnippel	Unión	
13	#UNION	1	Union	Union	Union	Union	Ref. 12
14	831452M1	1	O Ring (Pack Of 10)	Joint Torique	O Ring	Junta De Tipo O	
15	3519226M91	1	Hose Assy	Flexible Ass.	Schlauch Kpl	Flexible, Conj.	



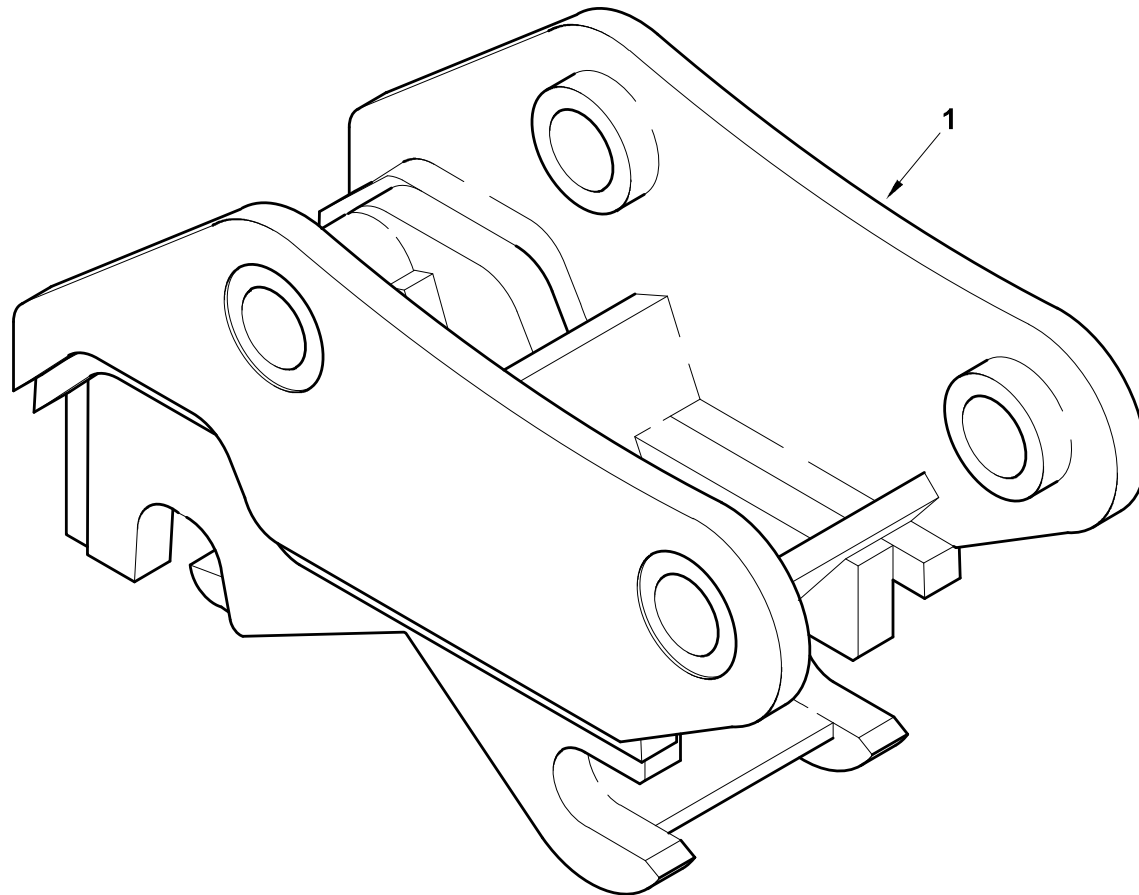
C-90016-03.1-A



Item	Part No.	Qty.	English	French	German	Spanish	Remarks
1	6106011M91	1	Valve-Digger Quick Attach.	Électrovalve	Magnetventil	Electroválvula	90016c02.1 5
2	#BODY	1	Body	Body	Body	Body	Ref. 1
3	6193020M91	1	Cartridge Assy	Cartouche Ass.	Einsatz Kplt	Solenoido, Conj.	
4	#NUT	1	Nut	Ecrou	Mutter	Tuerca	Ref. 3
5	#CARTRIDGE	1	Cartridge	Cartridge	Cartridge	Cartridge	Ref. 3
6	6193022M91	1	Kit Seal	Jeu Étanchéité	Dichtringsatz	Juego De Juntas	
7	6191096M91	1	Coil Assy.	Bobine	Wicklung, Spule	Bobina	
8	6193021M1	1	Restrictor	Réduction	Reduzierstück	Reducción	



C-90017-01.1-A



Item	Part No.	Qty.	English	French	German	Spanish	Remarks
1	6110753M91	1	Abiljo Mechanical Digger Q/A - Purple	Ensem. D&Attel. Rapi	Schnellkupplung Kpl.	Engan. Rápido, Conj.	



Not Illustrated

Non Illustrée

Nicht Abgebildet

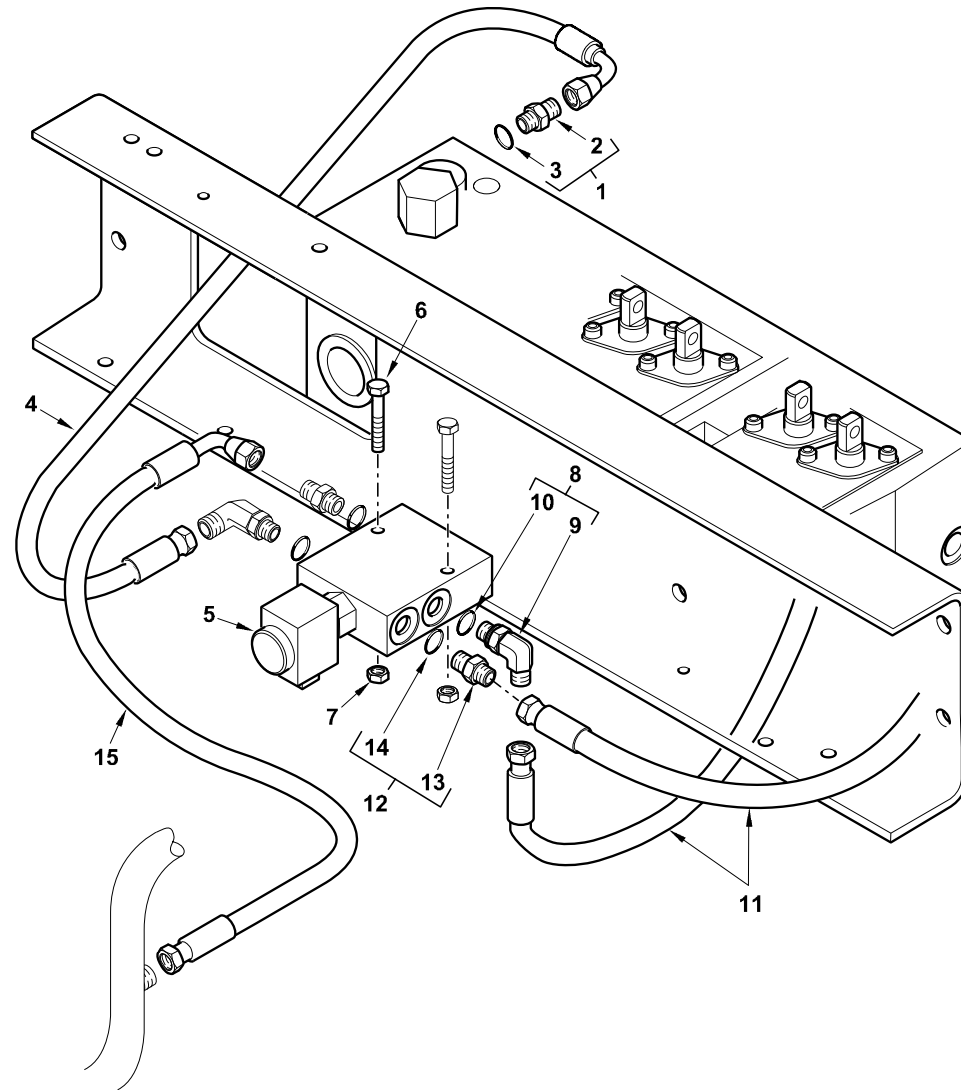
Non Illustrato

No Ilustrado

Item	Part No.	Qty.	English	French	German	Spanish	Remarks
-------------	-----------------	-------------	----------------	---------------	---------------	----------------	----------------



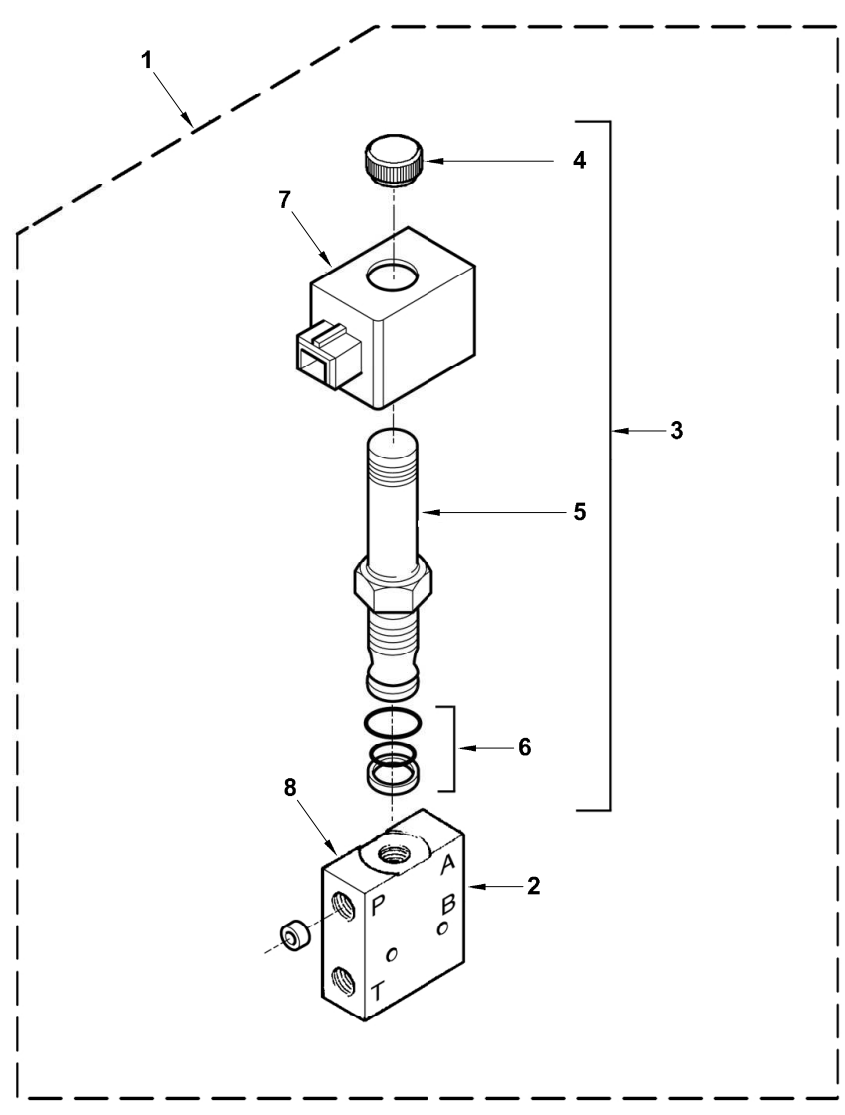
C-90023-02.1-A



Item	Part No.	Qty.	English	French	German	Spanish	Remarks
1	365830X91	1	Connector	Adaptateur	Reduziernippel	Unión	
2	#UNION	1	Union	Union	Union	Union	Ref. 1
3	#O-RING	1	O-Ring	Joint Torique	O-Ring	Junta Tórica	
4	6109910M91	1	Hose Assy - Q/A Feed	Flexible Ass.	Schlauch Kpl	Flexible, Conj.	
5	6106011M91	1	Valve-Digger Quick Attach.	Électrovalve	Magnetventil	Electroválvula	90023c03.1
6	391244X1	2	Bolt M6-45 Z5s	Goupille	Bolzen - M6 X 45	Perno	
7	1441500X1	2	Nut M6 Z5 Nyloc	Ecrou	Flachmutter M6	Tuerca De Retención	
8	370807X91	2	Elbow 90 7/16jic9/16or	Coude, 90	Kniestück, 90°	Codo, 90°	
9	#ELBOW	1	Elbow	Elbow	Elbow	Elbow	Ref. 8
10	831452M1	1	O Ring (Pack Of 10)	Joint Torique	O Ring	Junta De Tipo O	
11	6111273M91	1	Hose Assembly - Q/Attach	Ensemble Durit	Schlauch Kpl	Flexible, Conj.	
11	6102806M91	1	Hose-Quick Attach	Flexible Ass.	Schlauch Kpl	Flexible, Conj.	Yellow
12	365065X91	2	Connector 7/16x9/16	Borne	Doppelnippel	Unión	
13	#UNION	1	Union	Union	Union	Union	Ref. 12
14	831452M1	1	O Ring (Pack Of 10)	Joint Torique	O Ring	Junta De Tipo O	
15	3519226M91	1	Hose Assy	Flexible Ass.	Schlauch Kpl	Flexible, Conj.	

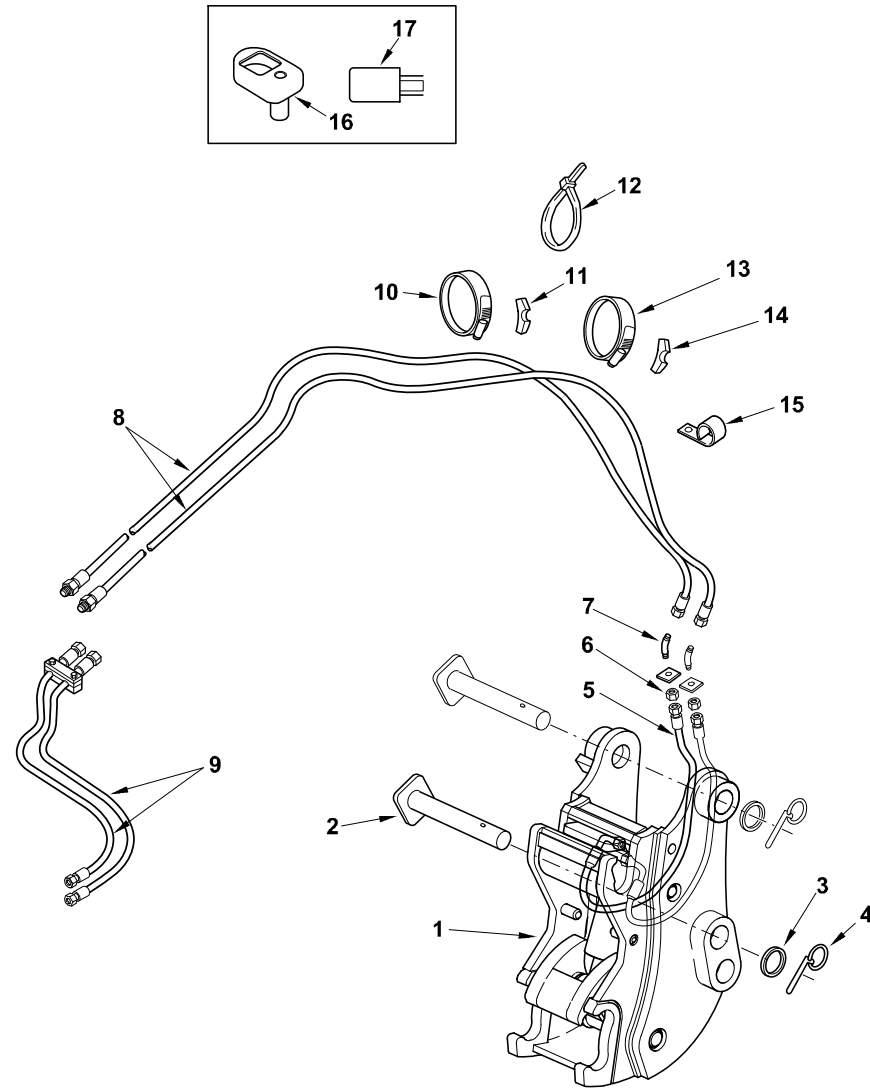


C-90023-03.1-A



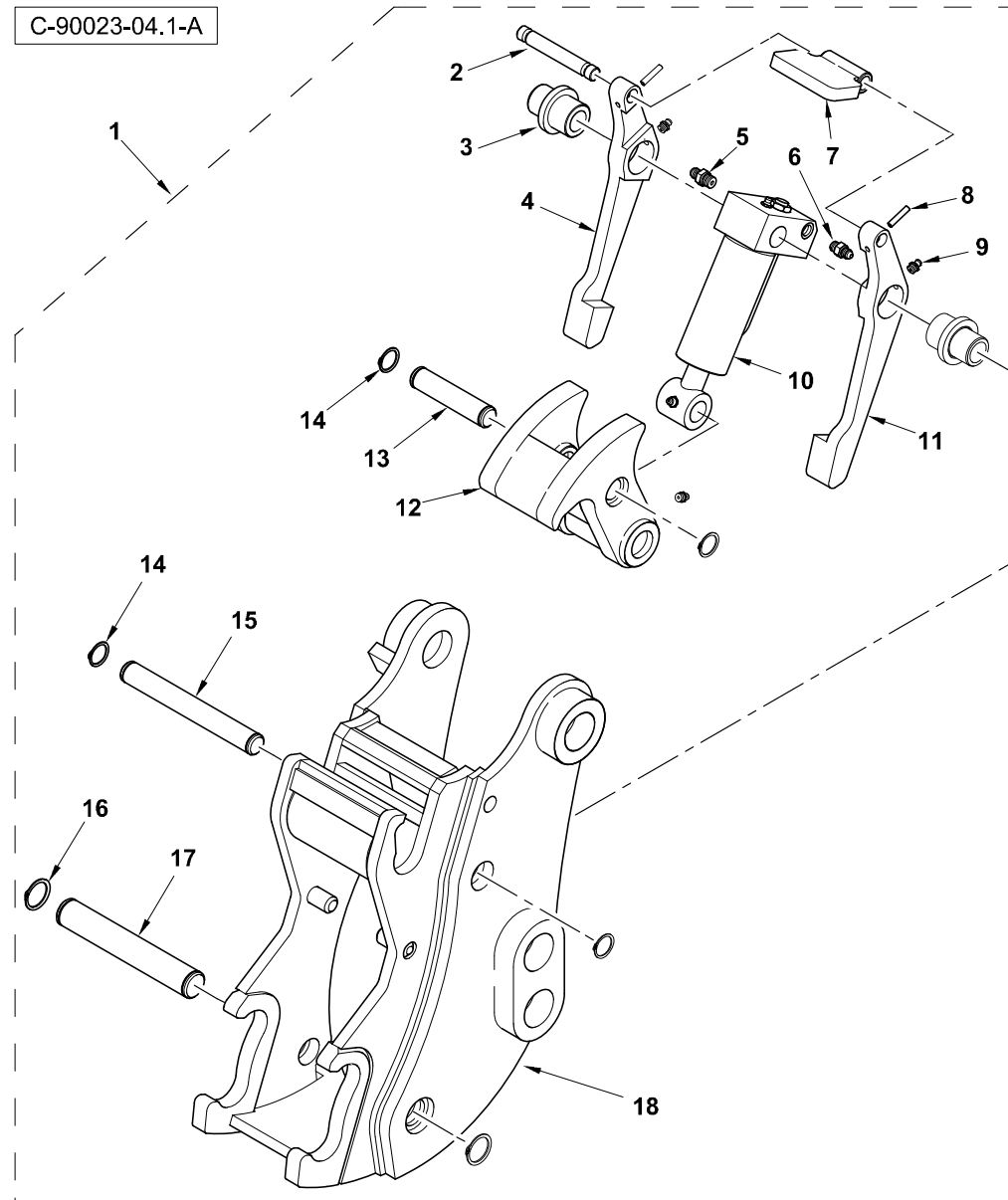
Item	Part No.	Qty.	English	French	German	Spanish	Remarks
1	6106011M91	1	Valve-Digger Quick Attach.	Électrovalve	Magnetventil	Electroválvula	90023c02.1 5
2	#BODY	1	Body	Body	Body	Body	Ref. 1
3	6193020M91	1	Cartridge Assy	Cartouche Ass.	Einsatz Kplt	Solenoido, Conj.	
4	#NUT	1	Nut	Ecrou	Mutter	Tuerca	Ref. 3
5	#CARTRIDGE	1	Cartridge	Cartridge	Cartridge	Cartridge	Ref. 3
6	6193022M91	1	Kit Seal	Jeu Étanchéité	Dichtringsatz	Juego De Juntas	
7	6191096M91	1	Coil Assy.	Bobine	Wicklung, Spule	Bobina	
8	6193021M1	1	Restrictor	Réduction	Reduzierstück	Reducción	

C-90023-01.1-A



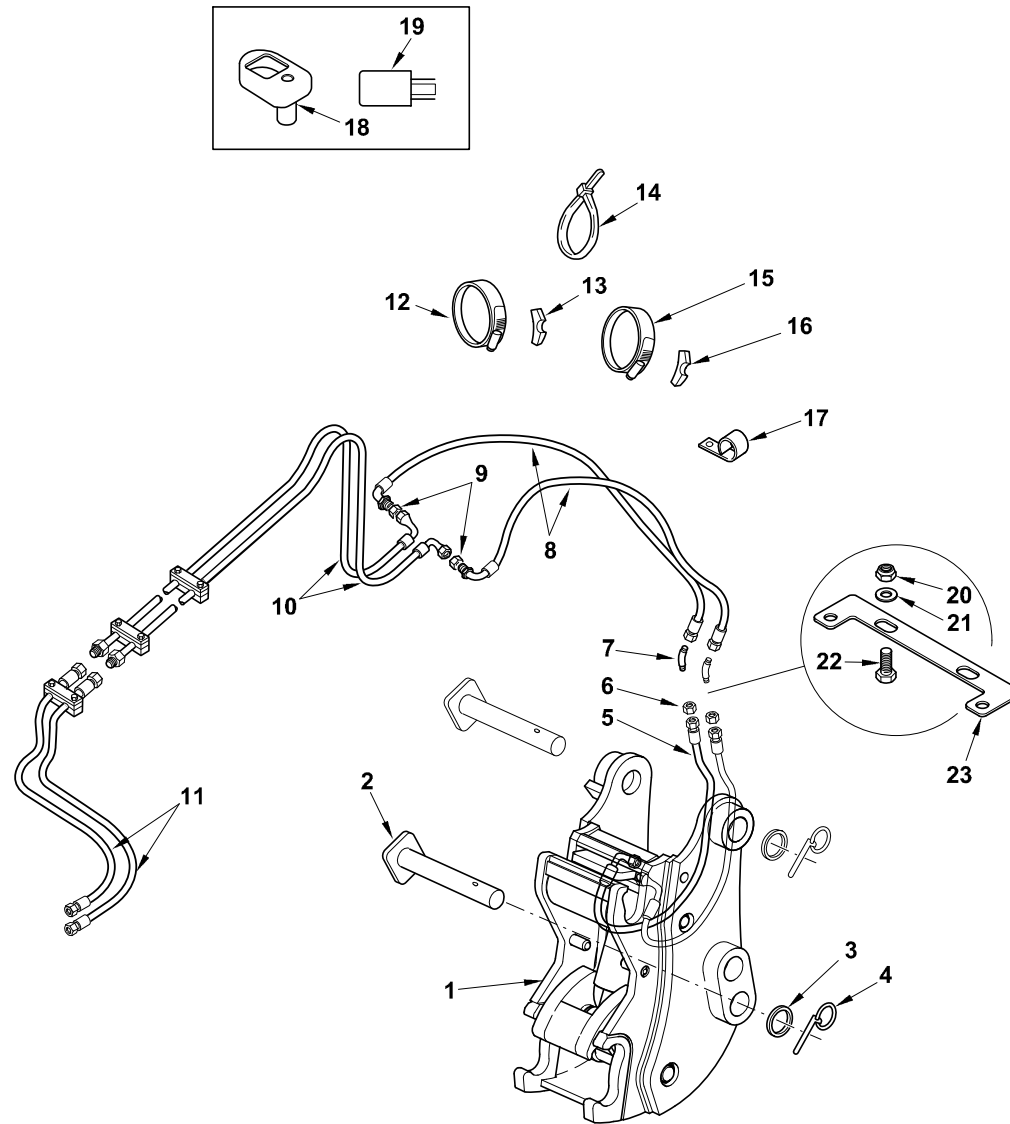
Item	Part No.	Qty.	English	French	German	Spanish	Remarks
1	T101115	1	Miller Q/A Assy - Fully Hydraulic (Fabricated)	Ensem. D'attel. Rapide	Schnellkupplung Kpl.	Engan. Rapido, Conj.	See 90023c04.1
2	3516519M94	2	Pin & Plate 45-322,5	Axe	Bolzen	Pasador	
3	3501790M1	2	Washer M46-65-5 Z	Rondelle	Scheibe	Arandela	
4	3516522M91	2	Pin Safety Linch	Goupille D´Arrêt	Klappstecker	Pasador De Parada	
5	T101116	2	Hose Assy - Fully Hydraulic Q/A	Ensemble Durit	Schlauch Kpl	Con. De Manguera	
6	356612X1	2	Nut 7/16" Unf	Ecrou Unf	Mutter 7/16" Unf	Tuerca	
7	371089X1	2	Elbow 45 Deg	Coude, 45	Kniestück, 45°	Codo, 45°	
8	6106086M91	2	Hose-Miller Q/Attach Hyd.	Flexible Ass.	Schlauch Kpl	Flexible, Conj.	
9	#HOSE ASSY	2	Hose Assy	Hose Assy	Hose Assy	Hose Assy	90023c02.1 11
10	3517732M1	1	Clip, Hose	Collier Durit	Schlauchschelle	Argolla De Fijación	
11	D142787	1	Saddle (See 142787d)	Selle	Sattel	Bloque De Caucho	
12	1664405M1	6	Tie Mm T50s	Attache Cable	Kabelbinder	Enlace De Cable	
13	3517731M1	1	Clamp-Hose	Bride Pour Tutaux	Schlauchschelle	Argolla De Fijación	
14	D142787	1	Saddle (See 142787d)	Selle	Sattel	Bloque De Caucho	
15	515-22127	4	Clip-Coated P	Collier De Fixation	Befestigungsschelle	Argolla De Fijación	
16	6101777M91	1	Cover Assy. - Switch Operating	Cache	Abdeckung	Tapa	
17	6102490M1	1	Relay-Micro	Relais	Relais	Relé	





Item	Part No.	Qty.	English	French	German	Spanish	Remarks
1	T101115	1	Miller Q/A Assy - Fully Hydraulic (Fabricated)	Ensem. D'attel. Rapide	Schnellkupplung Kpl.	Engan. Rapido, Conj.	
2	T101175	1	Latch Pin	Goupille	Bolzen	Pasador	
3	T101169	2	Arm Hinge	Charniere	Scharnier	Bisagra	
4	T101171	1	Arm LH	Bras - LH	Arm - LH	Brazo - LH	
5	6106088M91	1	Connector, Hydraulic	Borne	Doppelnippel	Conector	
6	358741X91	1	Union, Hydr.	Raccord	Verschraubung	Racor	
7	T101173	1	Front Latch	Verrou	Riegel	Cerrojo	
8	T101181	2	Roll Pin	Goupille Roulee	Spannhulse	Pasador Elastico	
9	T101182	3	Grease Nipple - Miller Hydraulic Q/A	Graisseur Coude	Nippel	Niple	
10	T101174	1	Cylinder Assy - Miller Hydraulic Q/A	Cylindre	Zylinder	Cilindro	
11	T101172	1	Arm RH	Bras - RH	Arm - RH	Brazo - RH	
12	T101170	1	Hook Assy	Crochet	Haken	Gancho	
13	T101178	1	Rod Pin	Goupille	Bolzen	Pasador	
14	T101179	4	Retaining Ring	Reteneur	Haltering	Retenedor	
15	T101176	1	Arm Pin	Goupille	Bolzen	Pasador	
16	T101180	2	Retaining Ring	Reteneur	Haltering	Retenedor	
17	T101177	1	Hook Pin	Goupille	Bolzen	Pasador	
18	T101167	1	Body Assy - Miller Hydraulic Q/A	Corps	Korper	Cuerpo	

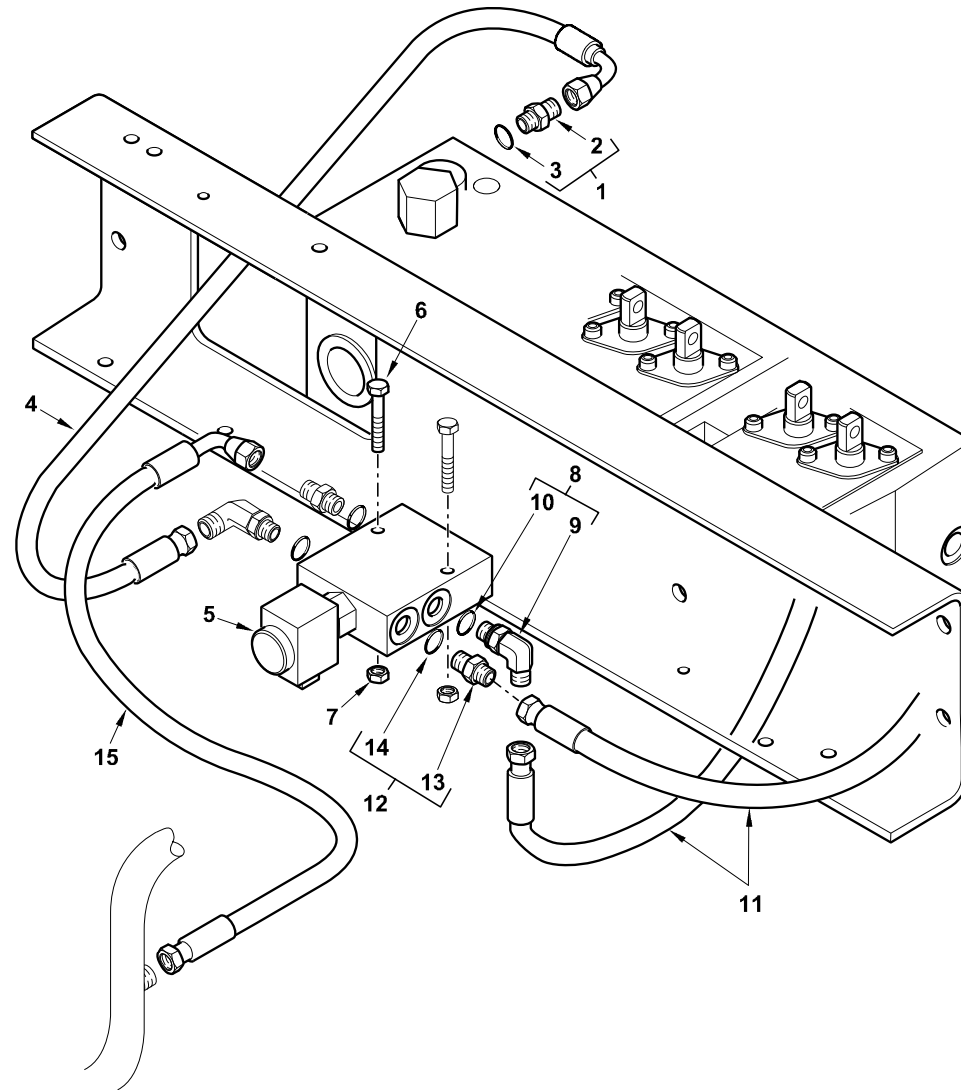
C-90024-01.1-A



Item	Part No.	Qty.	English	French	German	Spanish	Remarks
1	T101115	1	Miller Q/A Assy - Fully Hydraulic (Fabricated)	Ensem. D'attel. Rapide	Schnellkupplung Kpl.	Engan. Rapido, Conj.	See 90024c04.1
2	3516519M94	2	Pin & Plate 45-322,5	Axe	Bolzen	Pasador	
3	3501790M1	2	Washer M46-65-5 Z	Rondelle	Scheibe	Arandela	
4	3516522M91	2	Pin Safety Linch	Goupille D'Arrêt	Klappstecker	Pasador De Parada	
5	T101116	2	Hose Assy - Fully Hydraulic Q/A	Ensemble Durit	Schlauch Kpl	Con. De Manguera	
6	356612X1	2	Nut 7/16" Unf	Ecrou Unf	Mutter 7/16" Unf	Tuerca	
7	371089X1	2	Elbow 45 Deg	Coude, 45	Kniestück, 45°	Codo, 45°	
8	6102922M92	2	Hose-Miller Q/Attach Hyd.	Ensemble Durit	Schlauch Kpl	Flexible, Conj.	
9	356612X1	2	Nut 7/16" Unf	Ecrou Unf	Mutter 7/16" Unf	Tuerca	
10	6111272M91	1	Hose Assembly - Q/Attach Boom	Ensemble Durit	Schlauch Kpl	Flexible, Conj.	Black
10	3521945M95	1	Hose Assy. - Digger Quick Attach	Flexible Ass.	Schlauch Kpl	Flexible, Conj.	Yellow
11	#HOSE ASSY	2	Hose Assy	Hose Assy	Hose Assy	Hose Assy	90024c02.1 11
12	3517732M1	1	Clip, Hose	Collier Durit	Schlauchschelle	Argolla De Fijación	
13	D142787	1	Saddle (See 142787d)	Selle	Sattel	Bloque De Caucho	
14	1664405M1	6	Tie Mm T50s	Attache Cable	Kabelbinder	Enlace De Cable	
15	3517731M1	1	Clamp-Hose	Bride Pour Tutaux	Schlauchschelle	Argolla De Fijación	
16	D142787	1	Saddle (See 142787d)	Selle	Sattel	Bloque De Caucho	
17	515-22127	4	Clip-Coated P	Collier De Fixation	Befestigungsschelle	Argolla De Fijación	
18	6101777M91	1	Cover Assy. - Switch Operating	Cache	Abdeckung	Tapa	
19	6102490M1	1	Relay-Micro	Relais	Relais	Relé	
20	1440329X1	2	Nut, Hex. - Nyloc, M10	Ecrou Blocage	Flachmutter M10	Tuerca De Retención	
21	390597X1	2	Washer, Large - M10	Rondelle	Scheible	Arandela	
22	3009492X1	2	Bolt - Hex. M10 X 25	Boulon M10 X 25	Schraube M10 X 25	Tornillo	
23	6112498M1	1	Bracket	Support Fixation	Haltearm	Pata De Fijación	

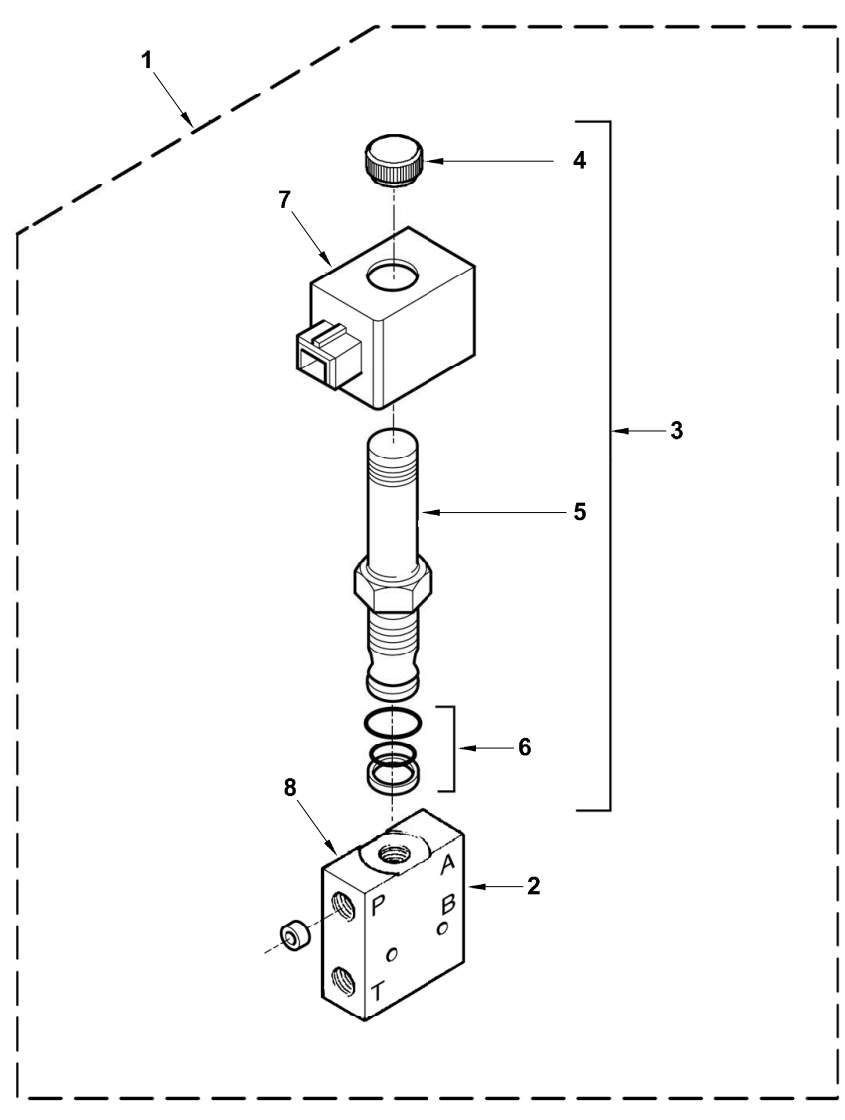


C-90024-02.1-A



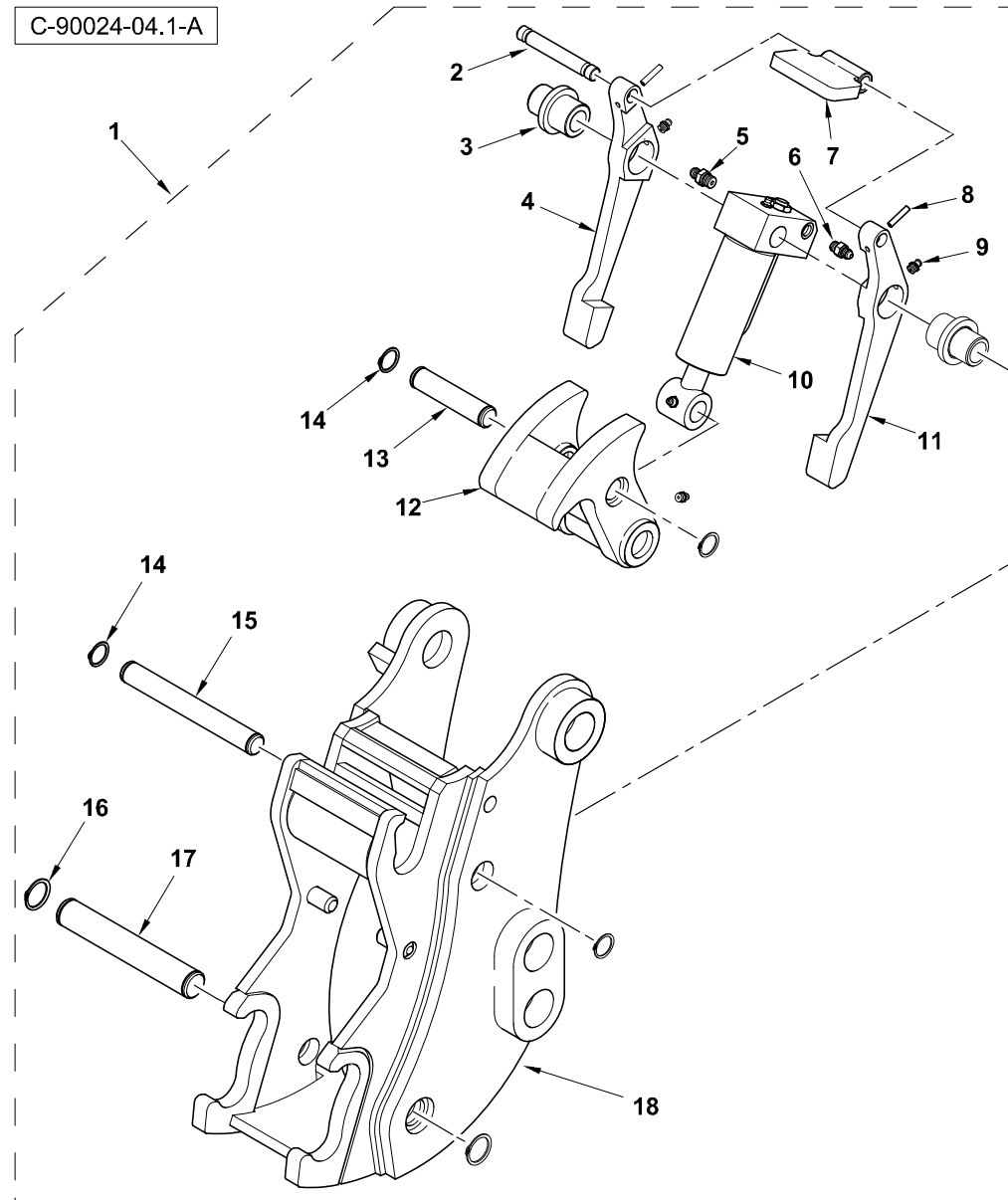
Item	Part No.	Qty.	English	French	German	Spanish	Remarks
1	365830X91	1	Connector	Adaptateur	Reduziernippel	Unión	
2	#UNION	1	Union	Union	Union	Union	Ref. 1
3	#O-RING	1	O-Ring	Joint Torique	O-Ring	Junta Tórica	
4	6109910M91	1	Hose Assy - Q/A Feed	Flexible Ass.	Schlauch Kpl	Flexible, Conj.	
5	6106011M91	1	Valve-Digger Quick Attach.	Électrovalve	Magnetventil	Electroválvula	90024c03.1
6	391244X1	2	Bolt M6-45 Z5s	Goupille	Bolzen - M6 X 45	Perno	
7	1441500X1	2	Nut M6 Z5 Nyloc	Ecrou	Flachmutter M6	Tuerca De Retención	
8	370807X91	2	Elbow 90 7/16jic9/16or	Coude, 90	Kniestück, 90°	Codo, 90°	
9	#ELBOW	1	Elbow	Elbow	Elbow	Elbow	Ref. 8
10	831452M1	1	O Ring (Pack Of 10)	Joint Torique	O Ring	Junta De Tipo O	
11	6111273M91	1	Hose Assembly - Q/Attach	Ensemble Durit	Schlauch Kpl	Flexible, Conj.	
11	6102806M91	1	Hose-Quick Attach	Flexible Ass.	Schlauch Kpl	Flexible, Conj.	Yellow
12	365065X91	2	Connector 7/16x9/16	Borne	Doppelnippel	Unión	
13	#UNION	1	Union	Union	Union	Union	Ref. 12
14	831452M1	1	O Ring (Pack Of 10)	Joint Torique	O Ring	Junta De Tipo O	
15	3519226M91	1	Hose Assy	Flexible Ass.	Schlauch Kpl	Flexible, Conj.	

C-90024-03.1-A



Item	Part No.	Qty.	English	French	German	Spanish	Remarks
1	6106011M91	1	Valve-Digger Quick Attach.	Électrovalve	Magnetventil	Electroválvula	90024c02.1 5
2	#BODY	1	Body	Body	Body	Body	Ref. 1
3	6193020M91	1	Cartridge Assy	Cartouche Ass.	Einsatz Kplt	Solenóide, Conj.	
4	#NUT	1	Nut	Ecrou	Mutter	Tuerca	Ref. 3
5	#CARTRIDGE	1	Cartridge	Cartridge	Cartridge	Cartridge	Ref. 3
6	6193022M91	1	Kit Seal	Jeu Étanchéité	Dichtringsatz	Juego De Juntas	
7	6191096M91	1	Coil Assy.	Bobine	Wicklung, Spule	Bobina	
8	6193021M1	1	Restrictor	Réduction	Reduzierstück	Reducción	

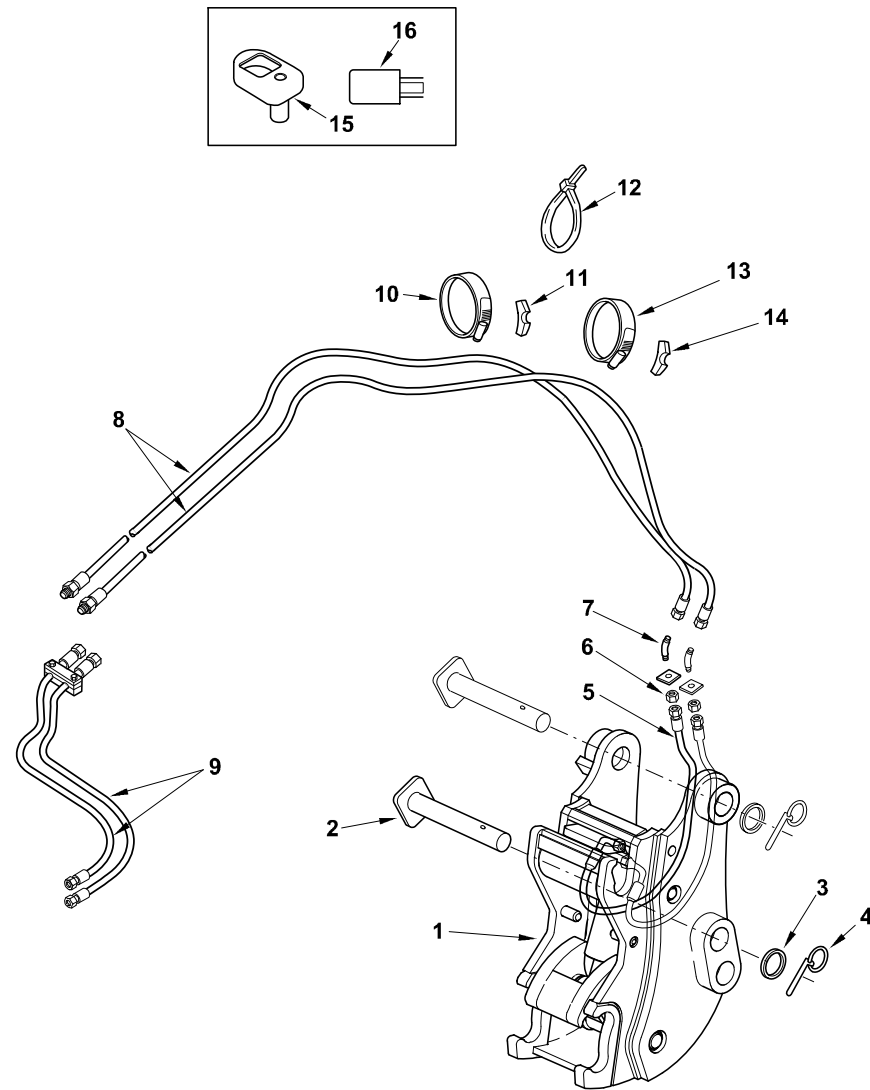




Item	Part No.	Qty.	English	French	German	Spanish	Remarks
1	T101115	1	Miller Q/A Assy - Fully Hydraulic (Fabricated)	Ensem. D'attel. Rapide	Schnellkupplung Kpl.	Engan. Rapido, Conj.	
2	T101175	1	Latch Pin	Goupille	Bolzen	Pasador	
3	T101169	2	Arm Hinge	Charniere	Scharnier	Bisagra	
4	T101171	1	Arm LH	Bras - LH	Arm - LH	Brazo - LH	
5	6106088M91	1	Connector, Hydraulic	Borne	Doppelnippel	Conector	
6	358741X91	1	Union, Hydr.	Raccord	Verschraubung	Racor	
7	T101173	1	Front Latch	Verrou	Riegel	Cerrojo	
8	T101181	2	Roll Pin	Goupille Roulee	Spannhulse	Pasador Elastico	
9	T101182	3	Grease Nipple - Miller Hydraulic Q/A	Graisseur Coude	Nippel	Niple	
10	T101174	1	Cylinder Assy - Miller Hydraulic Q/A	Cylindre	Zylinder	Cilindro	
11	T101172	1	Arm RH	Bras - RH	Arm - RH	Brazo - RH	
12	T101170	1	Hook Assy	Crochet	Haken	Gancho	
13	T101178	1	Rod Pin	Goupille	Bolzen	Pasador	
14	T101179	4	Retaining Ring	Reteneur	Haltering	Retenedor	
15	T101176	1	Arm Pin	Goupille	Bolzen	Pasador	
16	T101180	2	Retaining Ring	Reteneur	Haltering	Retenedor	
17	T101177	1	Hook Pin	Goupille	Bolzen	Pasador	
18	T101167	1	Body Assy - Miller Hydraulic Q/A	Corps	Korper	Cuerpo	



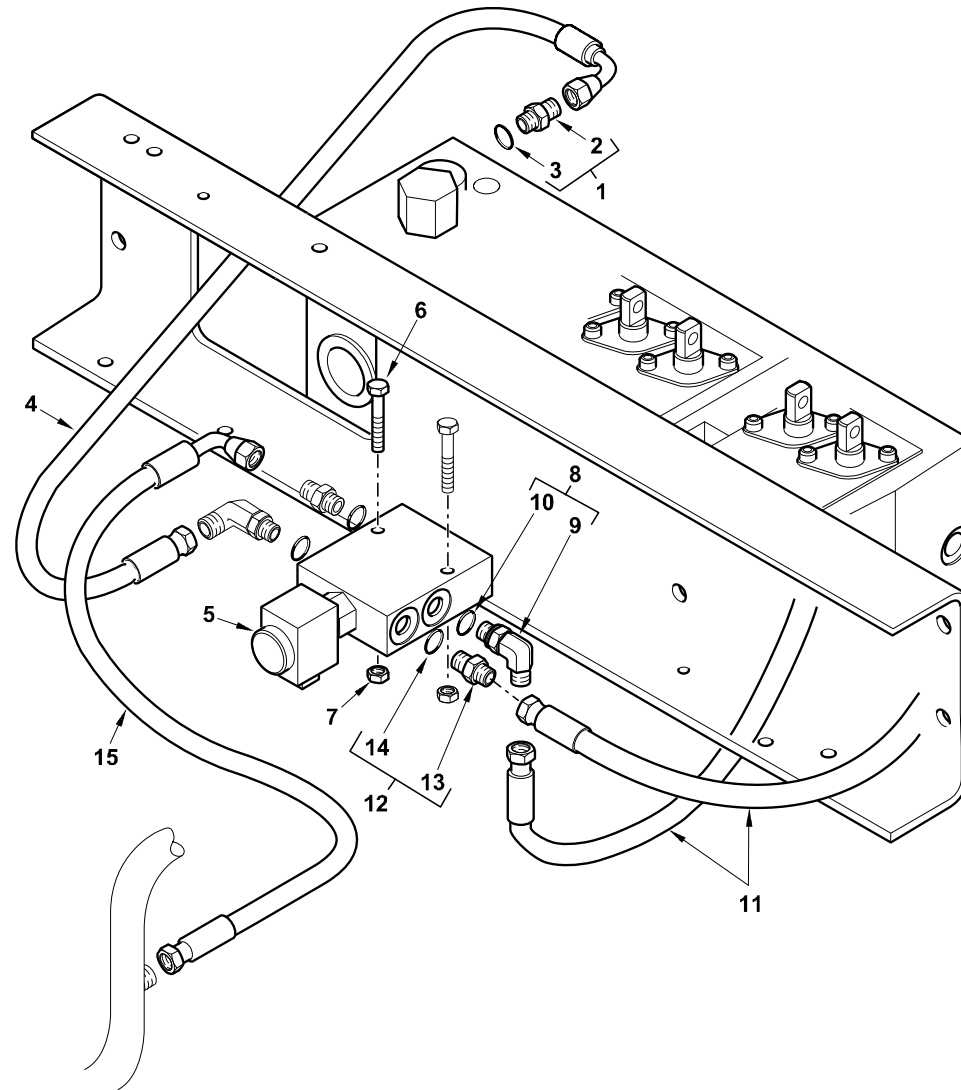
C-90025-01.1-A



Item	Part No.	Qty.	English	French	German	Spanish	Remarks
1	T101115	1	Miller Q/A Assy - Fully Hydraulic (Fabricated)	Ensem. D'attel. Rapide	Schnellkupplung Kpl.	Engan. Rapido, Conj.	
2	3516519M94	2	Pin & Plate 45-322,5	Axe	Bolzen	Pasador	
3	3501790M1	2	Washer M46-65-5 Z	Rondelle	Scheibe	Arandela	
4	3516522M91	2	Pin Safety Linch	Goupille D´Arrêt	Klappstecker	Pasador De Parada	
5	T101116	2	Hose Assy - Fully Hydraulic Q/A	Ensemble Durit	Schlauch Kpl	Con. De Manguera	
6	356612X1	2	Nut 7/16" Unf	Ecrou Unf	Mutter 7/16" Unf	Tuerca	
7	371089X1	2	Elbow 45 Deg	Coude, 45	Kniestück, 45°	Codo, 45°	
8	6106086M91	2	Hose-Miller Q/Attach Hyd.	Flexible Ass.	Schlauch Kpl	Flexible, Conj.	
9	#HOSE ASSY	2	Hose Assy	Hose Assy	Hose Assy	Hose Assy	90025c02.1 11
10	3517732M1	1	Clip, Hose	Collier Durit	Schlauchschelle	Argolla De Fijación	
11	D142787	1	Saddle (See 142787d)	Selle	Sattel	Bloque De Caucho	
12	1664405M1	6	Tie Mm T50s	Attache Cable	Kabelbinder	Enlace De Cable	
13	3517731M1	1	Clamp-Hose	Bride Pour Tutaux	Schlauchschelle	Argolla De Fijación	
14	D142787	1	Saddle (See 142787d)	Selle	Sattel	Bloque De Caucho	
15	6101777M91	1	Cover Assy. - Switch Operating	Cache	Abdeckung	Tapa	
16	6102490M1	1	Relay-Micro	Relais	Relais	Relé	

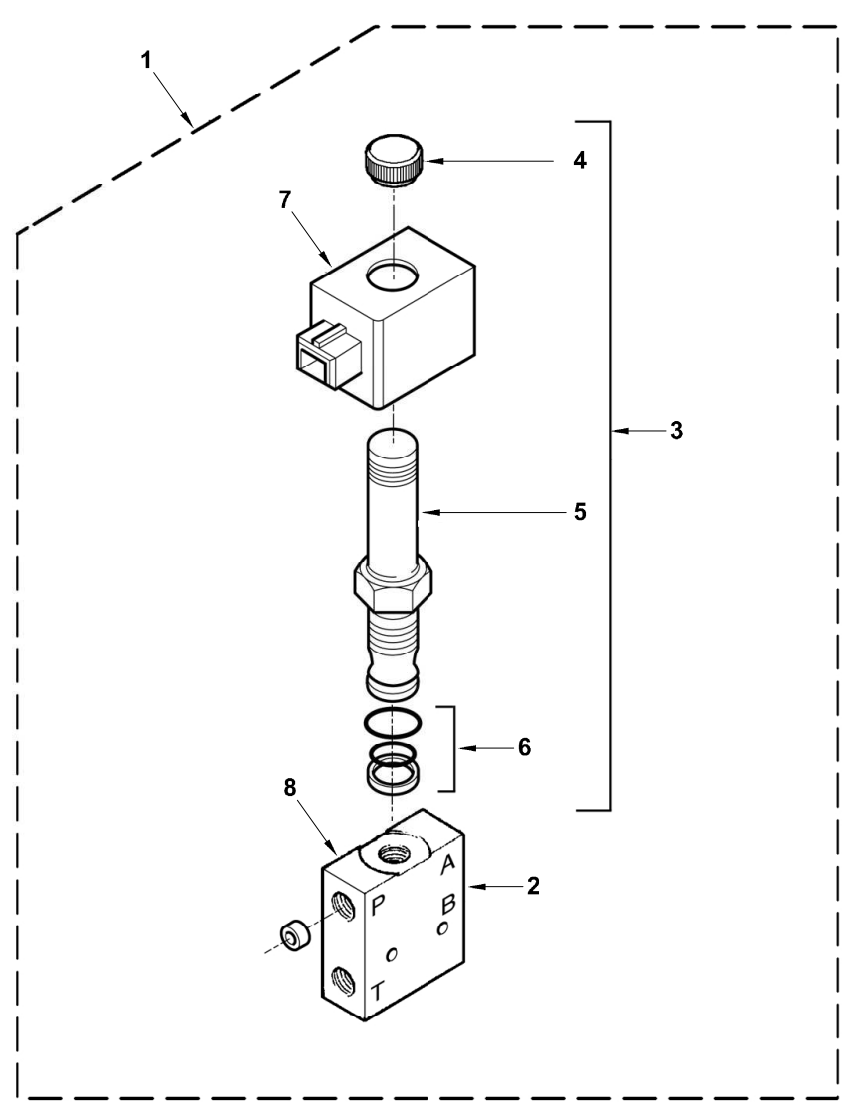


C-90025-02.1-A



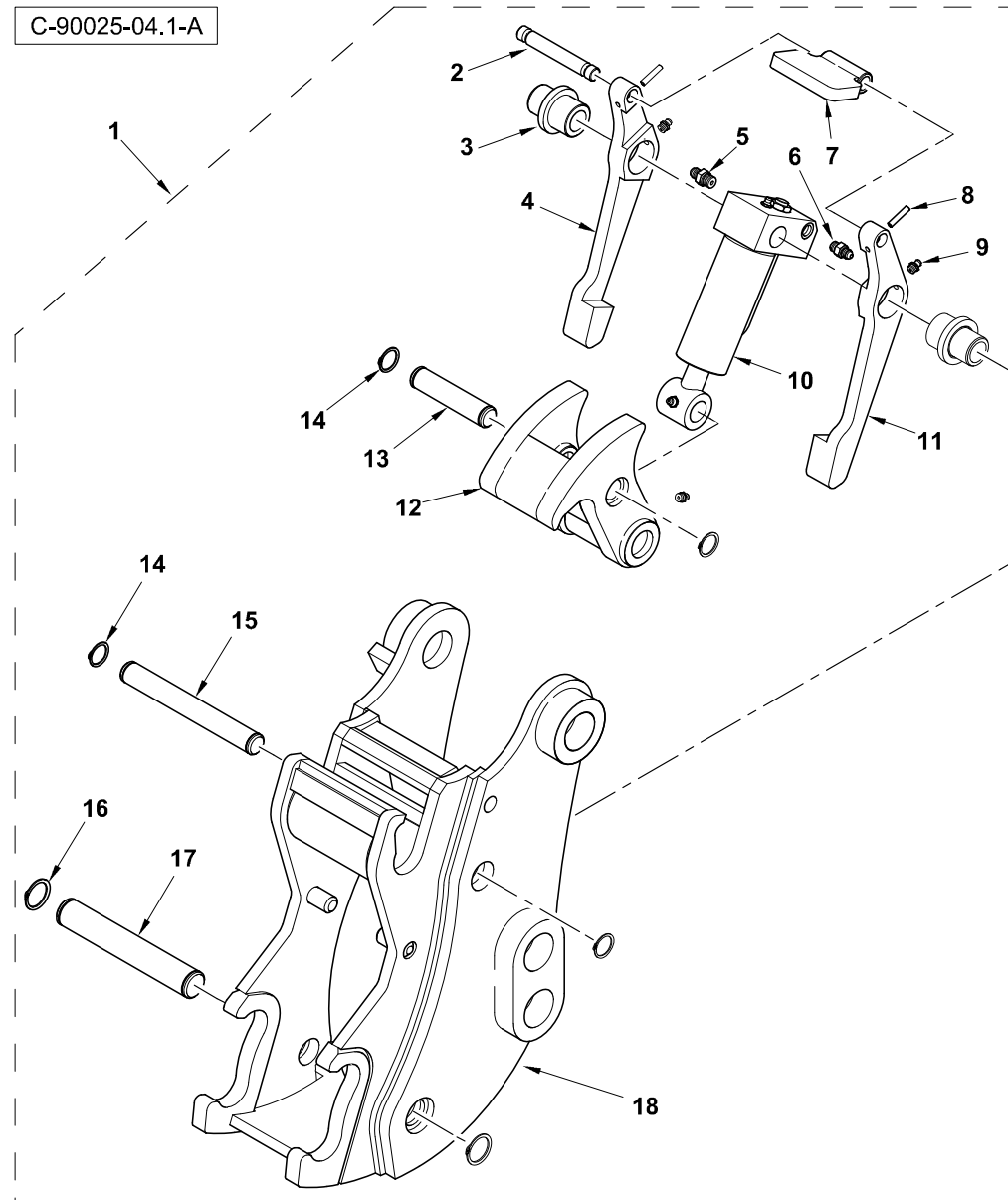
Item	Part No.	Qty.	English	French	German	Spanish	Remarks
1	365830X91	1	Connector	Adaptateur	Reduziernippel	Unión	
2	#UNION	1	Union	Union	Union	Union	Ref. 1
3	#O-RING	1	O-Ring	Joint Torique	O-Ring	Junta Tórica	
4	6109910M91	1	Hose Assy - Q/A Feed	Flexible Ass.	Schlauch Kpl	Flexible, Conj.	
5	6106011M91	1	Valve-Digger Quick Attach.	Électrovalve	Magnetventil	Electroválvula	90025c03.1 1
6	391244X1	2	Bolt M6-45 Z5s	Goupille	Bolzen - M6 X 45	Perno	
7	1441500X1	2	Nut M6 Z5 Nyloc	Ecrou	Flachmutter M6	Tuerca De Retención	
8	370807X91	2	Elbow 90 7/16jic9/16or	Coude, 90	Kniestück, 90°	Codo, 90°	
9	#ELBOW	1	Elbow	Elbow	Elbow	Elbow	Ref. 8
10	831452M1	1	O Ring (Pack Of 10)	Joint Torique	O Ring	Junta De Tipo O	
11	3519882M92	2	Hose-(Cm Kit) Q/Attach	Flexible	Schlauch	Flexible, Conj.	
12	365065X91	2	Connector 7/16x9/16	Borne	Doppelnippel	Unión	
13	#UNION	1	Union	Union	Union	Union	Ref. 12
14	831452M1	1	O Ring (Pack Of 10)	Joint Torique	O Ring	Junta De Tipo O	
15	3519226M91	1	Hose Assy	Flexible Ass.	Schlauch Kpl	Flexible, Conj.	

C-90025-03.1-A



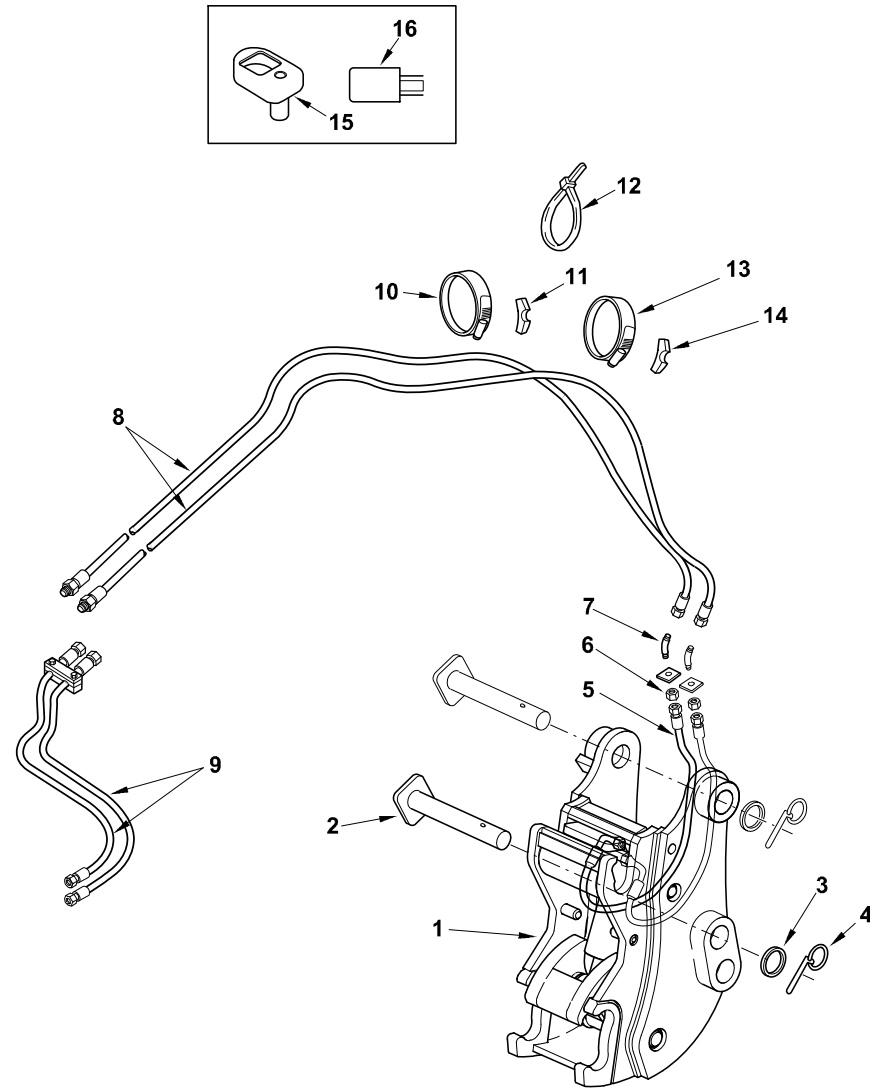
Item	Part No.	Qty.	English	French	German	Spanish	Remarks
1	6106011M91	1	Valve-Digger Quick Attach.	Électrovalve	Magnetventil	Electroválvula	90025c02.1 5
2	#BODY	1	Body	Body	Body	Body	Ref. 1
3	6193020M91	1	Cartridge Assy	Cartouche Ass.	Einsatz Kplt	Solenoido, Conj.	
4	#NUT	1	Nut	Ecrou	Mutter	Tuerca	Ref. 3
5	#CARTRIDGE	1	Cartridge	Cartridge	Cartridge	Cartridge	Ref. 3
6	6193022M91	1	Kit Seal	Jeu Étanchéité	Dichtringsatz	Juego De Juntas	
7	6191096M91	1	Coil Assy.	Bobine	Wicklung, Spule	Bobina	
8	6193021M1	1	Restrictor	Réduction	Reduzierstück	Reducción	





Item	Part No.	Qty.	English	French	German	Spanish	Remarks
1	T101115	1	Miller Q/A Assy - Fully Hydraulic (Fabricated)	Ensem. D'attel. Rapide	Schnellkupplung Kpl.	Engan. Rapido, Conj.	
2	T101175	1	Latch Pin	Goupille	Bolzen	Pasador	
3	T101169	2	Arm Hinge	Charniere	Scharnier	Bisagra	
4	T101171	1	Arm LH	Bras - LH	Arm - LH	Brazo - LH	
5	6106088M91	1	Connector, Hydraulic	Borne	Doppelnippel	Conector	
6	358741X91	1	Union, Hydr.	Raccord	Verschraubung	Racor	
7	T101173	1	Front Latch	Verrou	Riegel	Cerrojo	
8	T101181	2	Roll Pin	Goupille Roulee	Spannhulse	Pasador Elastico	
9	T101182	3	Grease Nipple - Miller Hydraulic Q/A	Graisseur Coude	Nippel	Niple	
10	T101174	1	Cylinder Assy - Miller Hydraulic Q/A	Cylindre	Zylinder	Cilindro	
11	T101172	1	Arm RH	Bras - RH	Arm - RH	Brazo - RH	
12	T101170	1	Hook Assy	Crochet	Haken	Gancho	
13	T101178	1	Rod Pin	Goupille	Bolzen	Pasador	
14	T101179	4	Retaining Ring	Reteneur	Haltering	Retenedor	
15	T101176	1	Arm Pin	Goupille	Bolzen	Pasador	
16	T101180	2	Retaining Ring	Reteneur	Haltering	Retenedor	
17	T101177	1	Hook Pin	Goupille	Bolzen	Pasador	
18	T101167	1	Body Assy - Miller Hydraulic Q/A	Corps	Korper	Cuerpo	

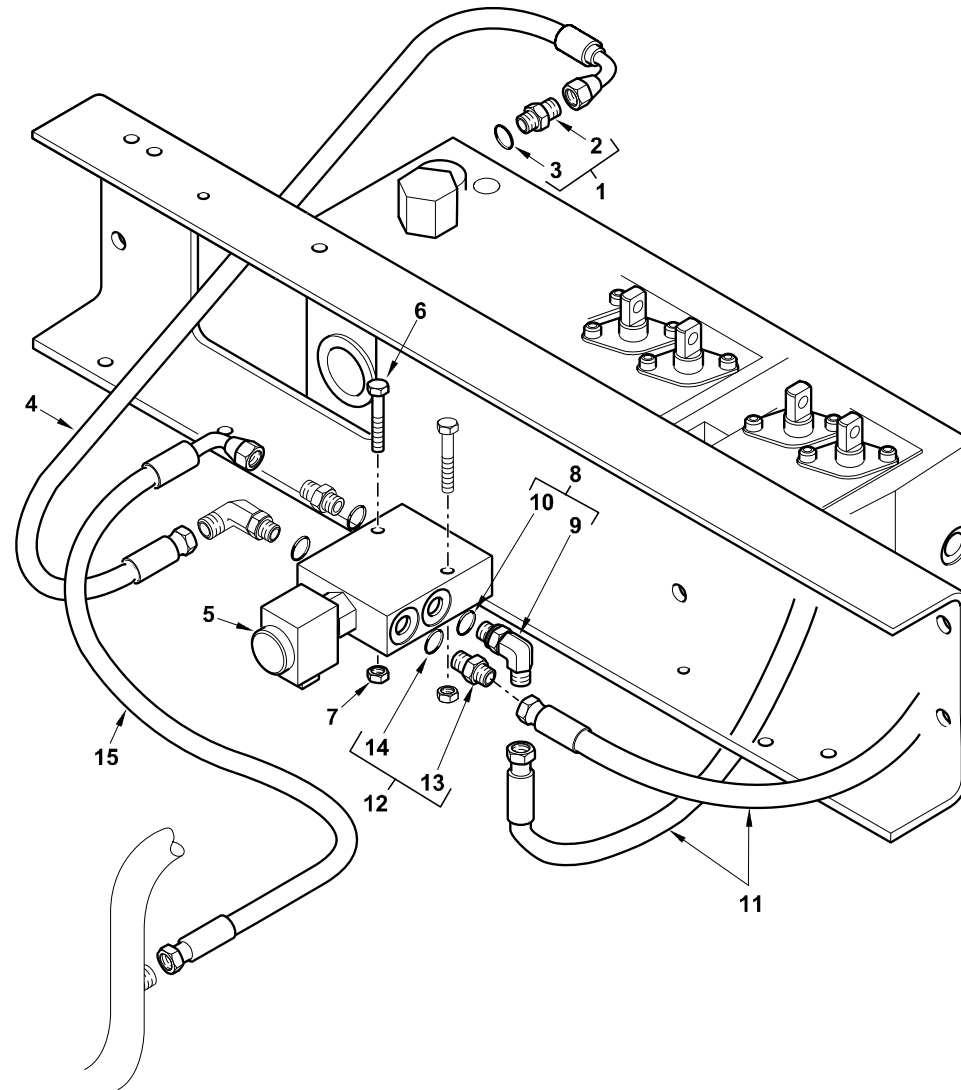
C-90026-01.1-A



Item	Part No.	Qty.	English	French	German	Spanish	Remarks
1	T101115	1	Miller Q/A Assy - Fully Hydraulic (Fabricated)	Ensem. D'attel. Rapide	Schnellkupplung Kpl.	Engan. Rapido, Conj.	
2	3516519M94	2	Pin & Plate 45-322,5	Axe	Bolzen	Pasador	
3	3501790M1	2	Washer M46-65-5 Z	Rondelle	Scheibe	Arandela	
4	3516522M91	2	Pin Safety Linch	Goupille D´Arrêt	Klappstecker	Pasador De Parada	
5	T101116	2	Hose Assy - Fully Hydraulic Q/A	Ensemble Durit	Schlauch Kpl	Con. De Manguera	
6	356612X1	2	Nut 7/16" Unf	Ecrou Unf	Mutter 7/16" Unf	Tuerca	
7	371089X1	2	Elbow 45 Deg	Coude, 45	Kniestück, 45°	Codo, 45°	
8	6106087M91	2	Hose-Miller Q/Attach Hyd.	Flexible	Schlauch Kpl	Flexible, Conj.	
9	#HOSE ASSY	2	Hose Assy	Hose Assy	Hose Assy	Hose Assy	90026c02.1 11
10	3517732M1	1	Clip, Hose	Collier Durit	Schlauchschelle	Argolla De Fijación	
11	D142787	1	Saddle (See 142787d)	Selle	Sattel	Bloque De Caucho	
12	1664405M1	6	Tie Mm T50s	Attache Cable	Kabelbinder	Enlace De Cable	
13	3517731M1	1	Clamp-Hose	Bride Pour Tutaux	Schlauchschelle	Argolla De Fijación	
14	D142787	1	Saddle (See 142787d)	Selle	Sattel	Bloque De Caucho	
15	6101777M91	1	Cover Assy. - Switch Operating	Cache	Abdeckung	Tapa	
16	6102490M1	1	Relay-Micro	Relais	Relais	Relé	



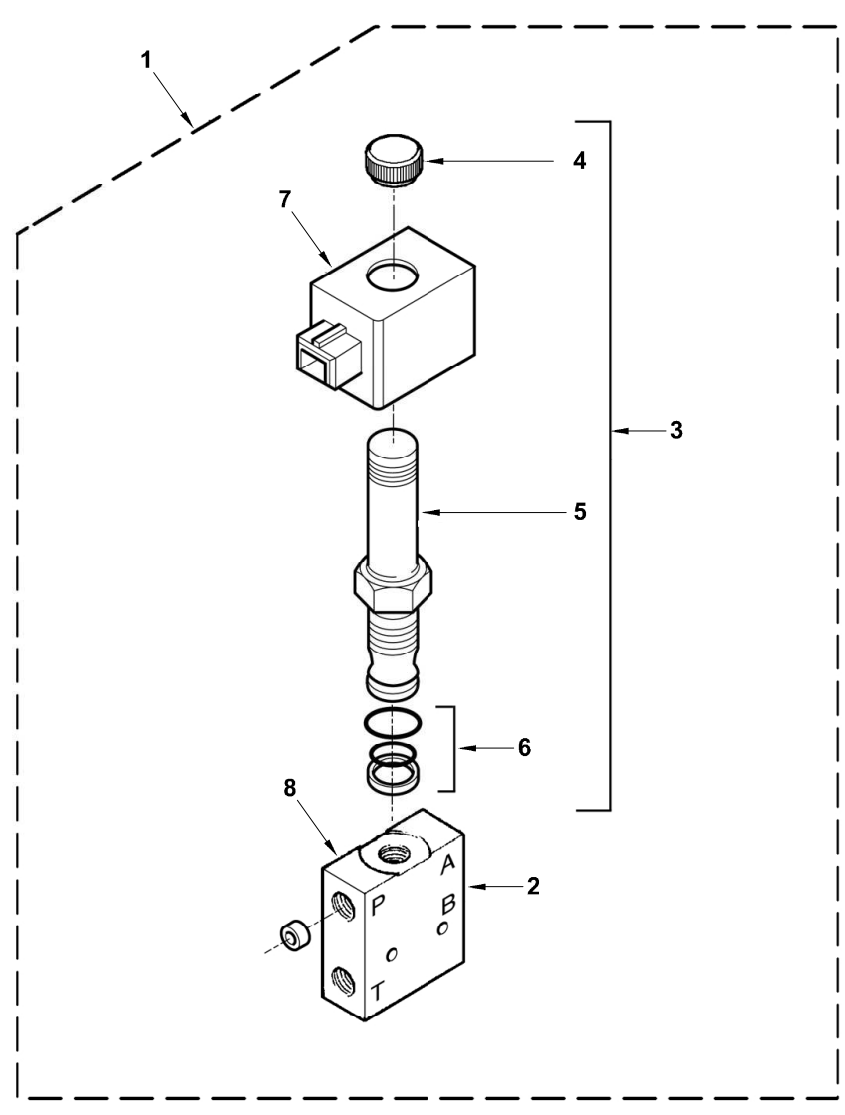
C-90026-02.1-A



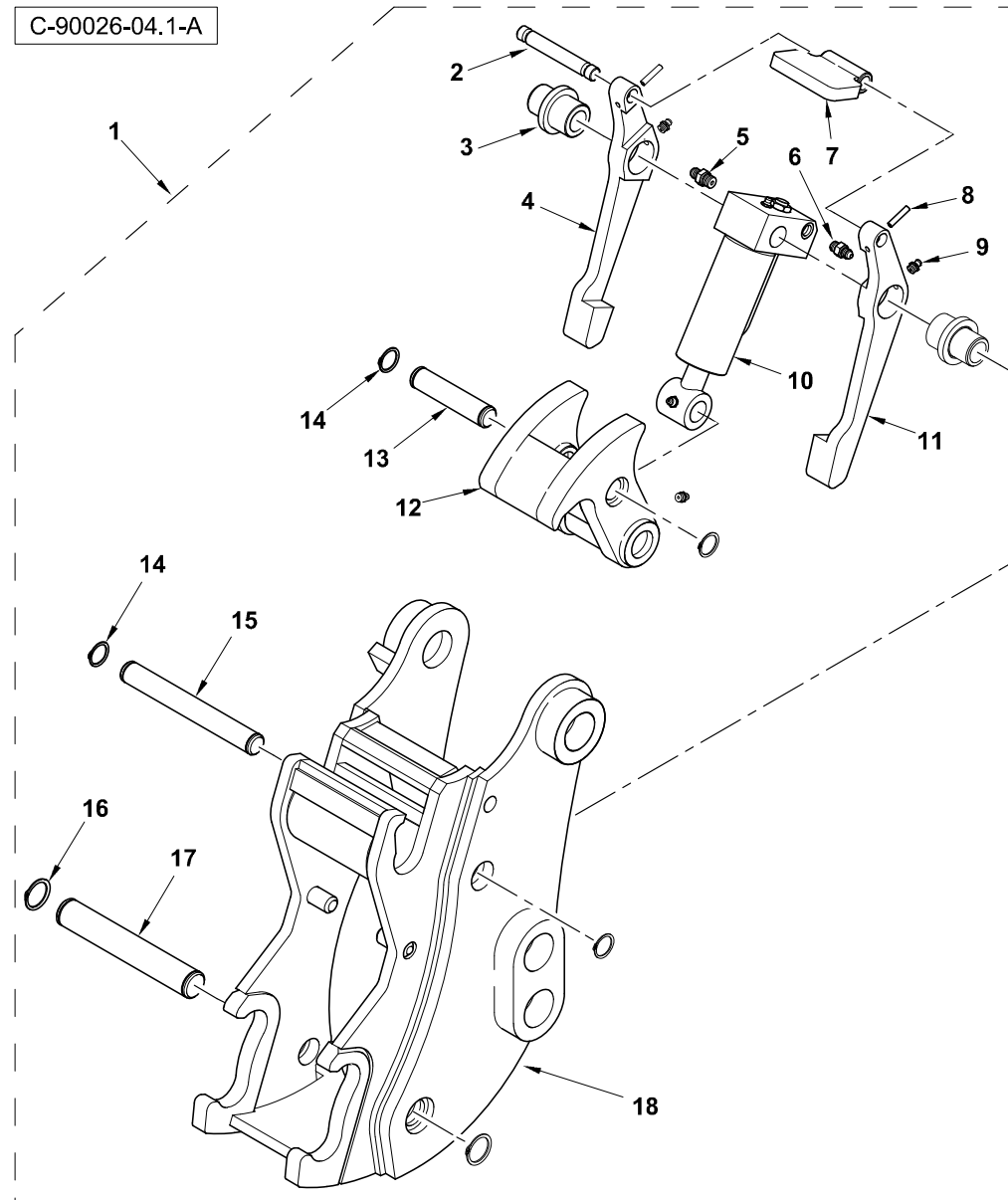
Item	Part No.	Qty.	English	French	German	Spanish	Remarks
1	365830X91	1	Connector	Adaptateur	Reduziernippel	Unión	
2	#UNION	1	Union	Union	Union	Union	Ref. 1
3	#O-RING	1	O-Ring	Joint Torique	O-Ring	Junta Tórica	
4	6109910M91	1	Hose Assy - Q/A Feed	Flexible Ass.	Schlauch Kpl	Flexible, Conj.	
5	6106011M91	1	Valve-Digger Quick Attach.	Électrovalve	Magnetventil	Electroválvula	90026c03.1 1
6	391244X1	2	Bolt M6-45 Z5s	Goupille	Bolzen - M6 X 45	Perno	
7	1441500X1	2	Nut M6 Z5 Nyloc	Ecrou	Flachmutter M6	Tuerca De Retención	
8	370807X91	2	Elbow 90 7/16jic9/16or	Coude, 90	Kniestück, 90°	Codo, 90°	
9	#ELBOW	1	Elbow	Elbow	Elbow	Elbow	Ref. 8
10	831452M1	1	O Ring (Pack Of 10)	Joint Torique	O Ring	Junta De Tipo O	
11	3519882M92	2	Hose-(Cm Kit) Q/Attach	Flexible	Schlauch	Flexible, Conj.	
12	365065X91	2	Connector 7/16x9/16	Borne	Doppelnippel	Unión	
13	#UNION	1	Union	Union	Union	Union	Ref. 12
14	831452M1	1	O Ring (Pack Of 10)	Joint Torique	O Ring	Junta De Tipo O	
15	3519226M91	1	Hose Assy	Flexible Ass.	Schlauch Kpl	Flexible, Conj.	



C-90026-03.1-A



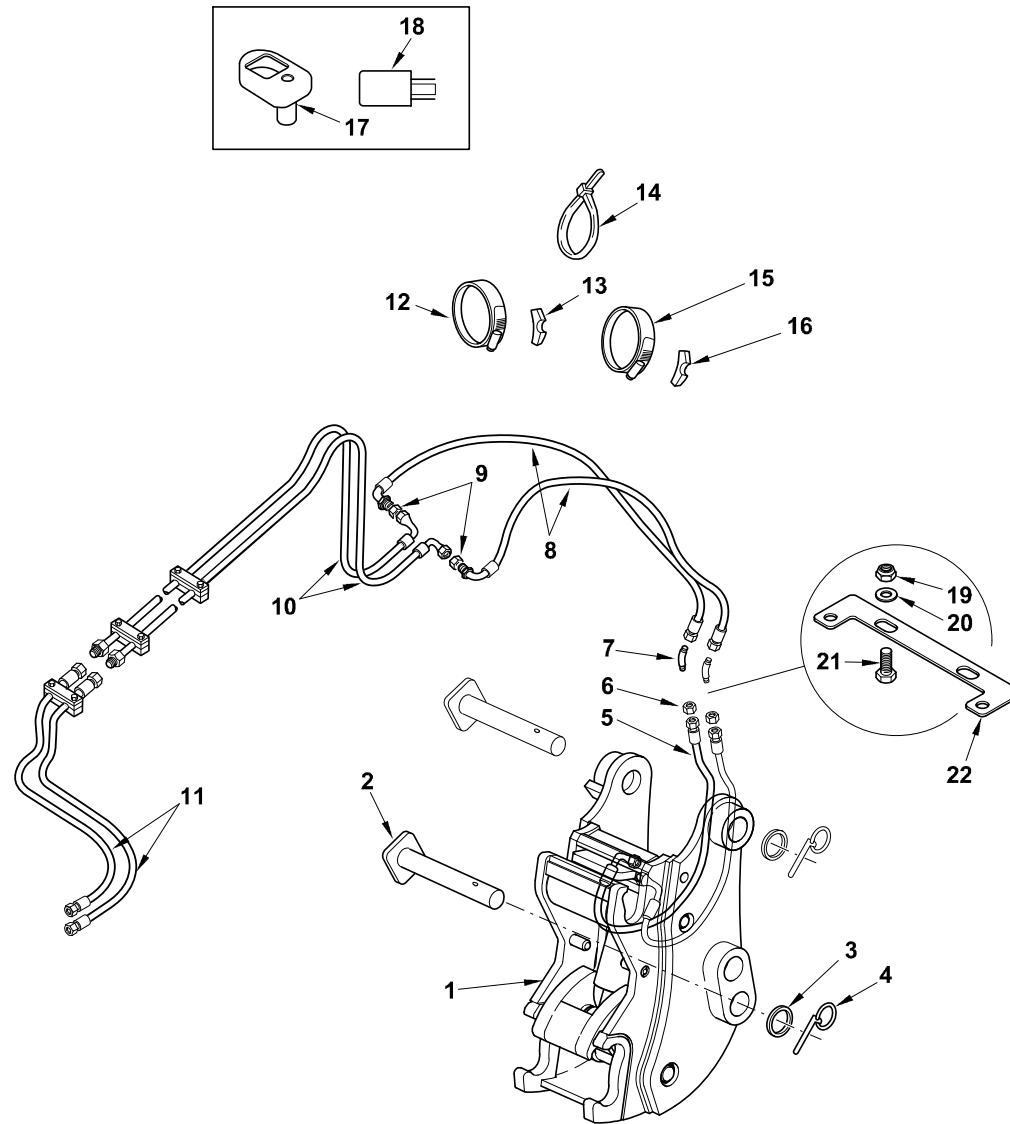
Item	Part No.	Qty.	English	French	German	Spanish	Remarks
1	6106011M91	1	Valve-Digger Quick Attach.	Électrovalve	Magnetventil	Electroválvula	90026c02.1 5
2	#BODY	1	Body	Body	Body	Body	Ref. 1
3	6193020M91	1	Cartridge Assy	Cartouche Ass.	Einsatz Kplt	Solenoido, Conj.	
4	#NUT	1	Nut	Ecrou	Mutter	Tuerca	Ref. 3
5	#CARTRIDGE	1	Cartridge	Cartridge	Cartridge	Cartridge	Ref. 3
6	6193022M91	1	Kit Seal	Jeu Étanchéité	Dichtringsatz	Juego De Juntas	
7	6191096M91	1	Coil Assy.	Bobine	Wicklung, Spule	Bobina	
8	6193021M1	1	Restrictor	Réduction	Reduzierstück	Reducción	



Item	Part No.	Qty.	English	French	German	Spanish	Remarks
1	T101115	1	Miller Q/A Assy - Fully Hydraulic (Fabricated)	Ensem. D'attel. Rapide	Schnellkupplung Kpl.	Egan. Rapido, Conj.	
2	T101175	1	Latch Pin	Goupille	Bolzen	Pasador	
3	T101169	2	Arm Hinge	Charniere	Scharnier	Bisagra	
4	T101171	1	Arm LH	Bras - LH	Arm - LH	Brazo - LH	
5	6106088M91	1	Connector, Hydraulic	Borne	Doppelnippel	Conector	
6	358741X91	1	Union, Hydr.	Raccord	Verschraubung	Racor	
7	T101173	1	Front Latch	Verrou	Riegel	Cerrojo	
8	T101181	2	Roll Pin	Goupille Roulee	Spannhulse	Pasador Elastico	
9	T101182	3	Grease Nipple - Miller Hydraulic Q/A	Graisseur Coude	Nippel	Niple	
10	T101174	1	Cylinder Assy - Miller Hydraulic Q/A	Cylindre	Zylinder	Cilindro	
11	T101172	1	Arm RH	Bras - RH	Arm - RH	Brazo - RH	
12	T101170	1	Hook Assy	Crochet	Haken	Gancho	
13	T101178	1	Rod Pin	Goupille	Bolzen	Pasador	
14	T101179	4	Retaining Ring	Reteneur	Haltering	Retenedor	
15	T101176	1	Arm Pin	Goupille	Bolzen	Pasador	
16	T101180	2	Retaining Ring	Reteneur	Haltering	Retenedor	
17	T101177	1	Hook Pin	Goupille	Bolzen	Pasador	
18	T101167	1	Body Assy - Miller Hydraulic Q/A	Corps	Korper	Cuerpo	



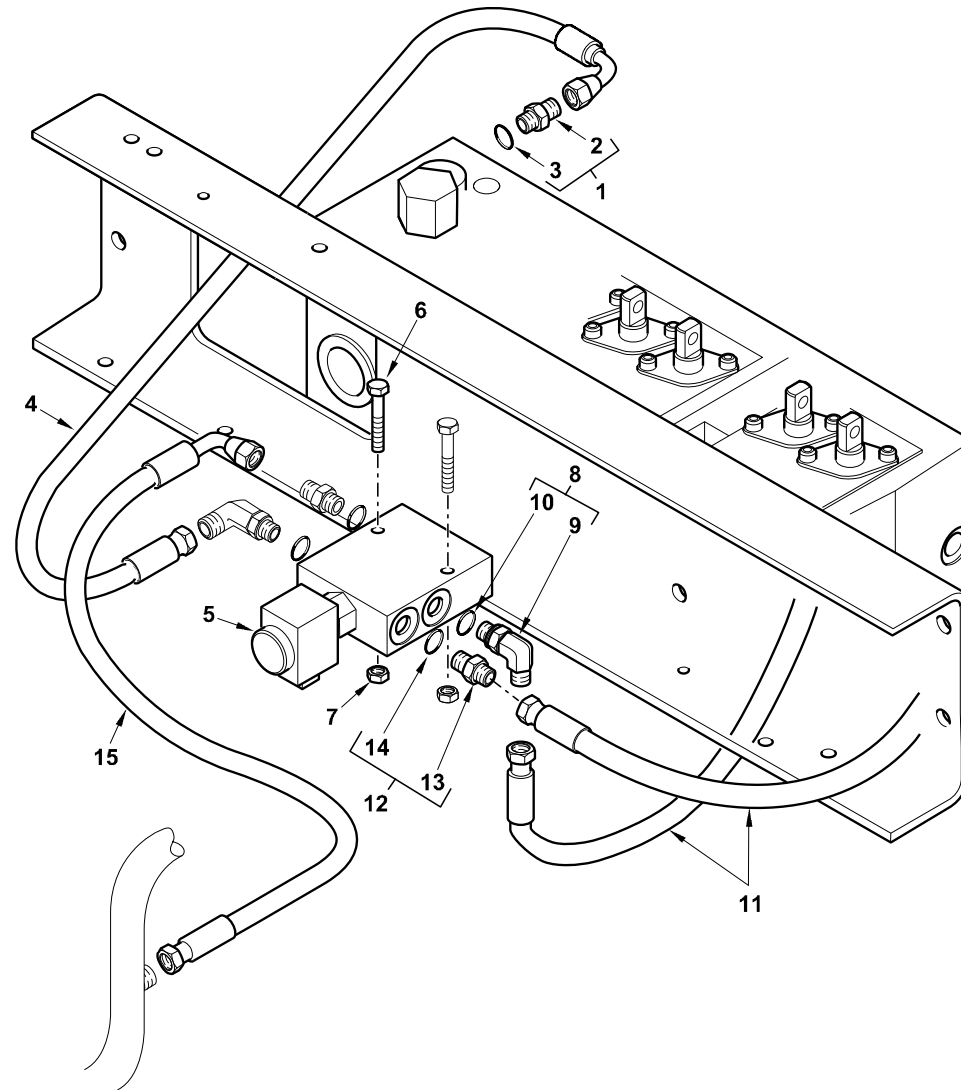
C-90027-01.1-A



Item	Part No.	Qty.	English	French	German	Spanish	Remarks
1	T101115	1	Miller Q/A Assy - Fully Hydraulic (Fabricated)	Ensem. D'attel. Rapide	Schnellkupplung Kpl.	Egan. Rapido, Conj.	
2	3516519M94	2	Pin & Plate 45-322,5	Axe	Bolzen	Pasador	
3	3501790M1	2	Washer M46-65-5 Z	Rondelle	Scheibe	Arandela	
4	3516522M91	2	Pin Safety Linch	Goupille D'Arrêt	Klappstecker	Pasador De Parada	
5	T101116	2	Hose Assy - Fully Hydraulic Q/A	Ensemble Durit	Schlauch Kpl	Con. De Manguera	
6	356612X1	2	Nut 7/16" Unf	Ecrou Unf	Mutter 7/16" Unf	Tuerca	
7	371089X1	2	Elbow 45 Deg	Coude, 45	Kniestück, 45°	Codo, 45°	
8	6102922M92	2	Hose-Miller Q/Attach Hyd.	Ensemble Durit	Schlauch Kpl	Flexible, Conj.	
9	356612X1	2	Nut 7/16" Unf	Ecrou Unf	Mutter 7/16" Unf	Tuerca	
10	3521945M95	1	Hose Assy. - Digger Quick Attach	Flexible Ass.	Schlauch Kpl	Flexible, Conj.	Yellow
10	6111272M91	1	Hose Assembly - Q/Attach Boom	Ensemble Durit	Schlauch Kpl	Flexible, Conj.	Black
11	#HOSE ASSY	2	Hose Assy	Hose Assy	Hose Assy	Hose Assy	90027c02.1 11
12	3517732M1	1	Clip, Hose	Collier Durit	Schlauchschelle	Argolla De Fijación	
13	D142787	1	Saddle (See 142787d)	Selle	Sattel	Bloque De Caucho	
14	1664405M1	6	Tie Mm T50s	Attache Cable	Kabelbinder	Enlace De Cable	
15	3517731M1	1	Clamp-Hose	Bride Pour Tutaux	Schlauchschelle	Argolla De Fijación	
16	D142787	1	Saddle (See 142787d)	Selle	Sattel	Bloque De Caucho	
17	6101777M91	1	Cover Assy. - Switch Operating	Cache	Abdeckung	Tapa	
18	6102490M1	1	Relay-Micro	Relais	Relais	Relé	
19	1440329X1	2	Nut, Hex. - Nyloc, M10	Ecrou Blocage	Flachmutter M10	Tuerca De Retención	
20	390597X1	2	Washer, Large - M10	Rondelle	Scheible	Arandela	
21	3009492X1	2	Bolt - Hex. M10 X 25	Boulon M10 X 25	Schraube M10 X 25	Tornillo	
22	6112498M1	1	Bracket	Support Fixation	Haltearm	Pata De Fijación	



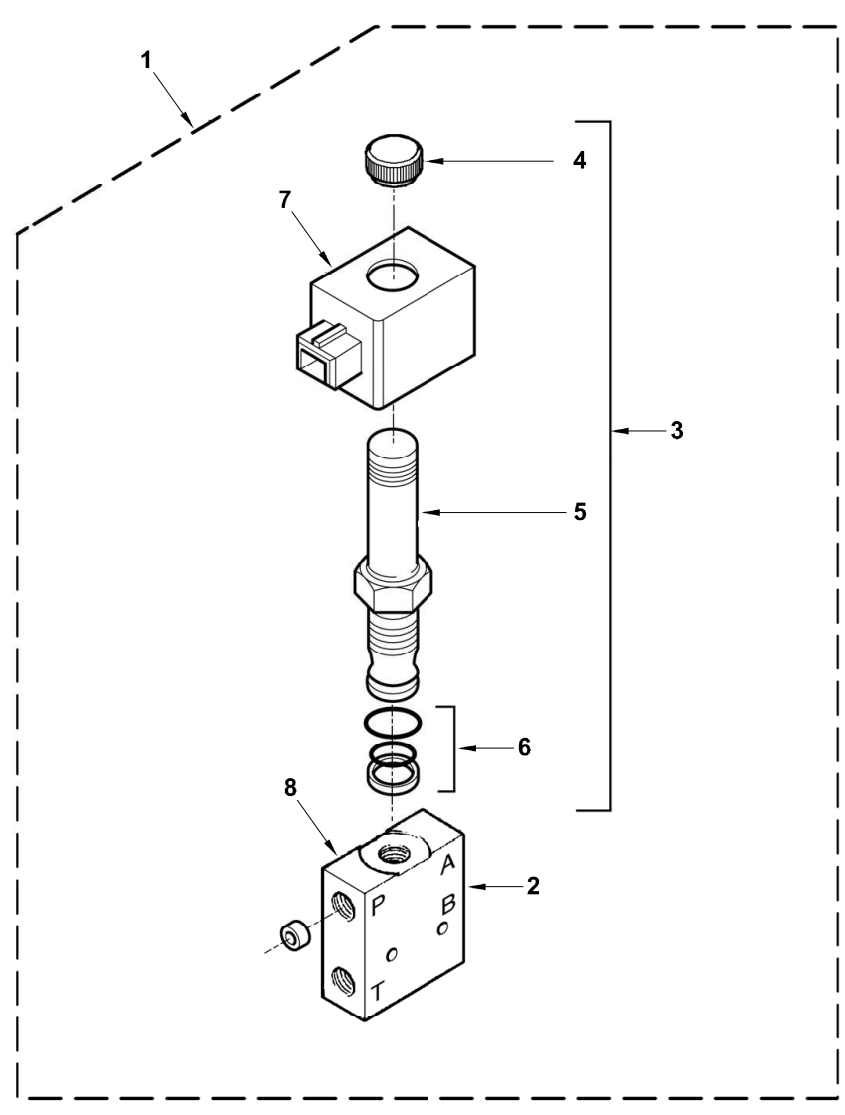
C-90027-02.1-A



Item	Part No.	Qty.	English	French	German	Spanish	Remarks
1	365830X91	1	Connector	Adaptateur	Reduziernippel	Unión	
2	#UNION	1	Union	Union	Union	Unión	Ref. 1
3	#O-RING	1	O-Ring	Joint Torique	O-Ring	Junta Tórica	
4	6109910M91	1	Hose Assy - Q/A Feed	Flexible Ass.	Schlauch Kpl	Flexible, Conj.	
5	6106011M91	1	Valve-Digger Quick Attach.	Électrovalve	Magnetventil	Electroválvula	90027c03.1
6	391244X1	2	Bolt M6-45 Z5s	Goupille	Bolzen - M6 X 45	Perno	
7	1441500X1	2	Nut M6 Z5 Nyloc	Ecrou	Flachmutter M6	Tuerca De Retención	
8	370807X91	2	Elbow 90 7/16jic9/16or	Coude, 90	Kniestück, 90°	Codo, 90°	
9	#ELBOW	1	Elbow	Elbow	Elbow	Elbow	Ref. 8
10	831452M1	1	O Ring (Pack Of 10)	Joint Torique	O Ring	Junta De Tipo O	
11	3519882M92	2	Hose-(Cm Kit) Q/Attach	Flexible	Schlauch	Flexible, Conj.	
12	365065X91	2	Connector 7/16x9/16	Borne	Doppelnippel	Unión	
13	#UNION	1	Union	Union	Union	Unión	Ref. 12
14	831452M1	1	O Ring (Pack Of 10)	Joint Torique	O Ring	Junta De Tipo O	
15	3519226M91	1	Hose Assy	Flexible Ass.	Schlauch Kpl	Flexible, Conj.	

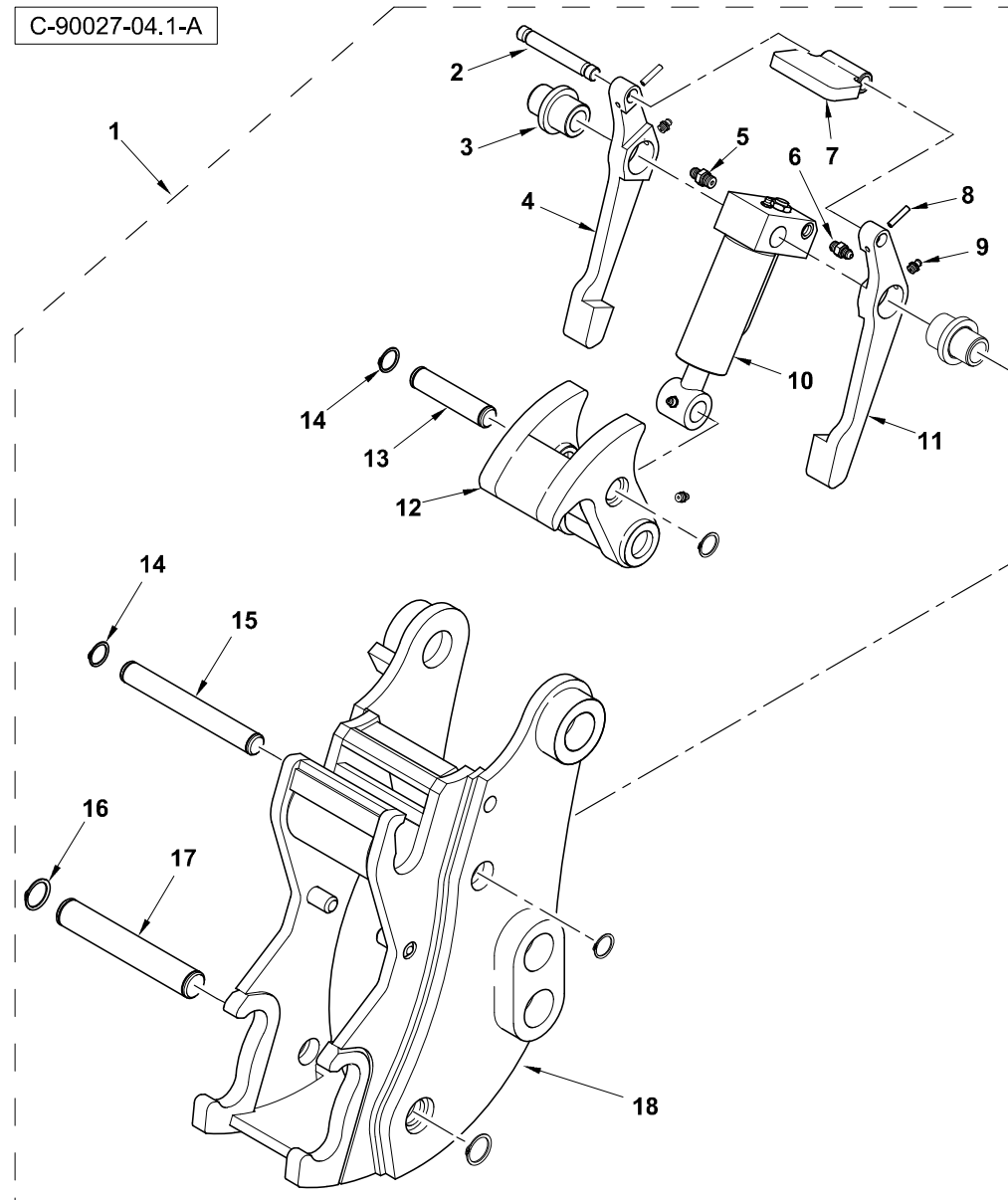


C-90027-03.1-A



Item	Part No.	Qty.	English	French	German	Spanish	Remarks
1	6106011M91	1	Valve-Digger Quick Attach.	Électrovalve	Magnetventil	Electroválvula	90027c02.1 5
2	#BODY	1	Body	Body	Body	Body	Ref. 1
3	6193020M91	1	Cartridge Assy	Cartouche Ass.	Einsatz Kplt	Solenoido, Conj.	
4	#NUT	1	Nut	Ecrou	Mutter	Tuerca	Ref. 3
5	#CARTRIDGE	1	Cartridge	Cartridge	Cartridge	Cartridge	Ref. 3
6	6193022M91	1	Kit Seal	Jeu Étanchéité	Dichtringsatz	Juego De Juntas	
7	6191096M91	1	Coil Assy.	Bobine	Wicklung, Spule	Bobina	
8	6193021M1	1	Restrictor	Réduction	Reduzierstück	Reducción	

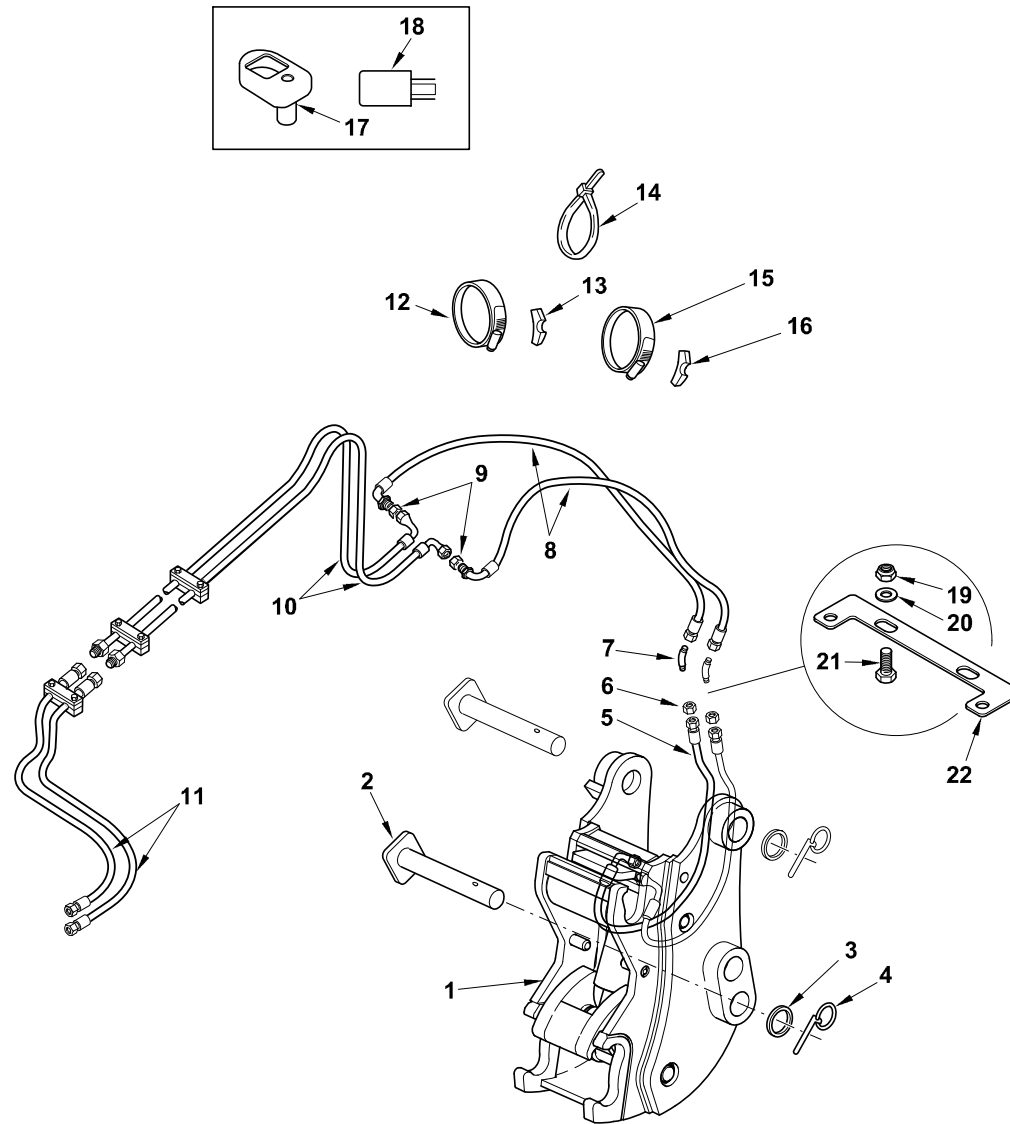




Item	Part No.	Qty.	English	French	German	Spanish	Remarks
1	T101115	1	Miller Q/A Assy - Fully Hydraulic (Fabricated)	Ensem. D'attel. Rapide	Schnellkupplung Kpl.	Egan. Rapido, Conj.	
2	T101175	1	Latch Pin	Goupille	Bolzen	Pasador	
3	T101169	2	Arm Hinge	Charniere	Scharnier	Bisagra	
4	T101171	1	Arm LH	Bras - LH	Arm - LH	Brazo - LH	
5	6106088M91	1	Connector, Hydraulic	Borne	Doppelnippel	Conector	
6	358741X91	1	Union, Hydr.	Raccord	Verschraubung	Racor	
7	T101173	1	Front Latch	Verrou	Riegel	Cerrojo	
8	T101181	2	Roll Pin	Goupille Roulee	Spannhulse	Pasador Elastico	
9	T101182	3	Grease Nipple - Miller Hydraulic Q/A	Graisseur Coude	Nippel	Niple	
10	T101174	1	Cylinder Assy - Miller Hydraulic Q/A	Cylindre	Zylinder	Cilindro	
11	T101172	1	Arm RH	Bras - RH	Arm - RH	Brazo - RH	
12	T101170	1	Hook Assy	Crochet	Haken	Gancho	
13	T101178	1	Rod Pin	Goupille	Bolzen	Pasador	
14	T101179	4	Retaining Ring	Reteneur	Haltering	Retenedor	
15	T101176	1	Arm Pin	Goupille	Bolzen	Pasador	
16	T101180	2	Retaining Ring	Reteneur	Haltering	Retenedor	
17	T101177	1	Hook Pin	Goupille	Bolzen	Pasador	
18	T101167	1	Body Assy - Miller Hydraulic Q/A	Corps	Korper	Cuerpo	



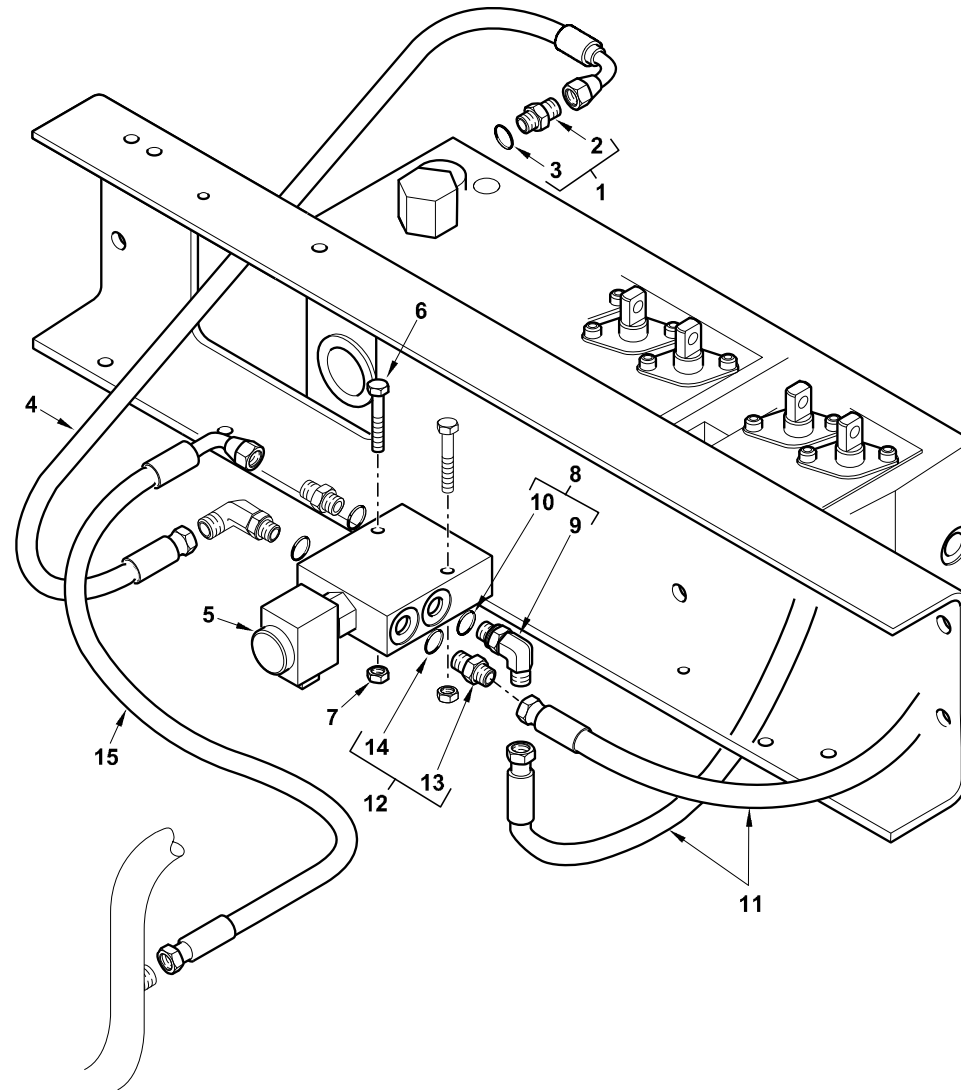
C-90028-01.1-A



Item	Part No.	Qty.	English	French	German	Spanish	Remarks
1	T101115	1	Miller Q/A Assy - Fully Hydraulic (Fabricated)	Ensem. D'attel. Rapide	Schnellkupplung Kpl.	Egan. Rapido, Conj.	
2	3516519M94	2	Pin & Plate 45-322,5	Axe	Bolzen	Pasador	
3	3501790M1	2	Washer M46-65-5 Z	Rondelle	Scheibe	Arandela	
4	3516522M91	2	Pin Safety Linch	Goupille D'Arrêt	Klappstecker	Pasador De Parada	
5	T101116	2	Hose Assy - Fully Hydraulic Q/A	Ensemble Durit	Schlauch Kpl	Con. De Manguera	
6	356612X1	2	Nut 7/16" Unf	Ecrou Unf	Mutter 7/16" Unf	Tuerca	
7	371089X1	2	Elbow 45 Deg	Coude, 45	Kniestück, 45°	Codo, 45°	
8	6102922M92	2	Hose-Miller Q/Attach Hyd.	Ensemble Durit	Schlauch Kpl	Flexible, Conj.	
9	356612X1	2	Nut 7/16" Unf	Ecrou Unf	Mutter 7/16" Unf	Tuerca	
10	3518145M91	2	Hose Assy	Flexible	Schlauch Kpl	Flexible, Conj.	
11	#HOSE ASSY	2	Hose Assy	Hose Assy	Hose Assy	Hose Assy	90028c02.1 11
12	3517732M1	1	Clip, Hose	Collier Durit	Schlauchschelle	Argolla De Fijación	
13	D142787	1	Saddle (See 142787d)	Selle	Sattel	Bloque De Caucho	
14	1664405M1	6	Tie Mm T50s	Attache Cable	Kabelbinder	Enlace De Cable	
15	3517731M1	1	Clamp-Hose	Bride Pour Tutaux	Schlauchschelle	Argolla De Fijación	
16	D142787	1	Saddle (See 142787d)	Selle	Sattel	Bloque De Caucho	
17	6101777M91	1	Cover Assy. - Switch Operating	Cache	Abdeckung	Tapa	
18	6102490M1	1	Relay-Micro	Relais	Relais	Relé	
19	1440329X1	2	Nut, Hex. - Nyloc, M10	Ecrou Blocage	Flachmutter M10	Tuerca De Retención	
20	390597X1	2	Washer, Large - M10	Rondelle	Scheible	Arandela	
21	3009492X1	2	Bolt - Hex. M10 X 25	Boulon M10 X 25	Schraube M10 X 25	Tornillo	
22	6112498M1	1	Bracket	Support Fixation	Haltearm	Pata De Fijación	

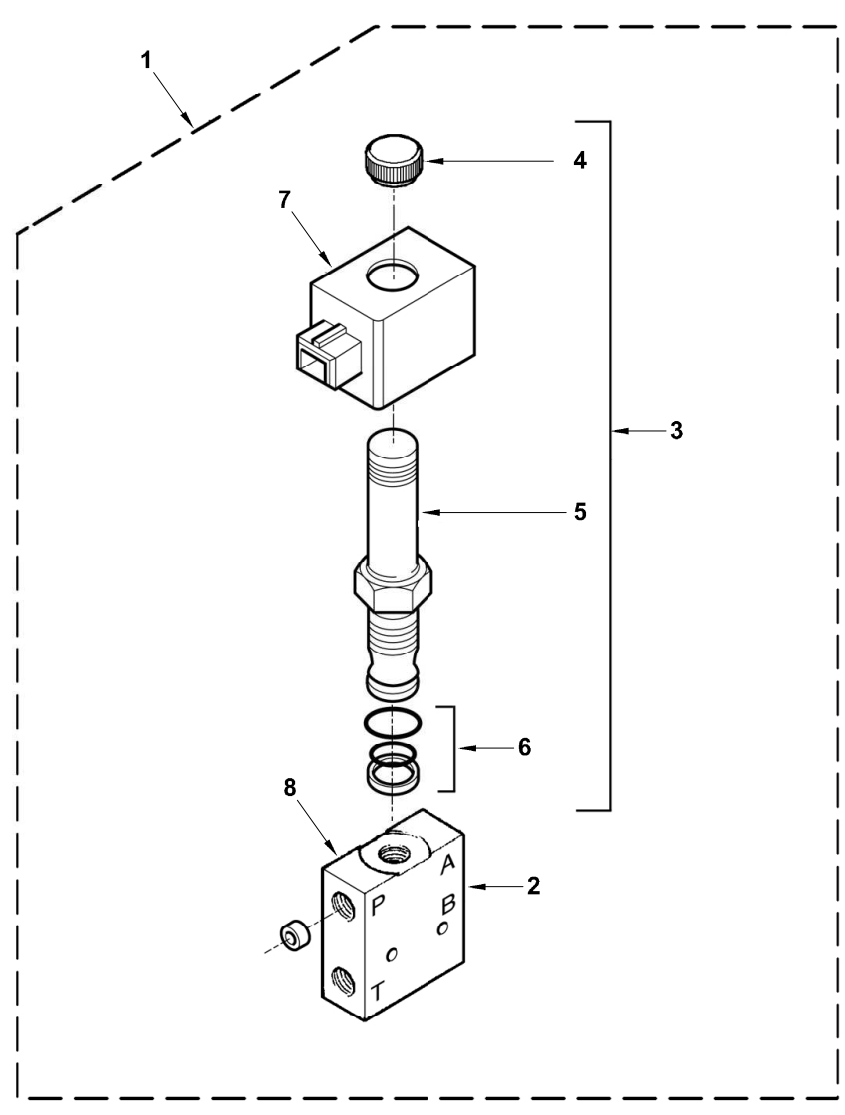


C-90028-02.1-A

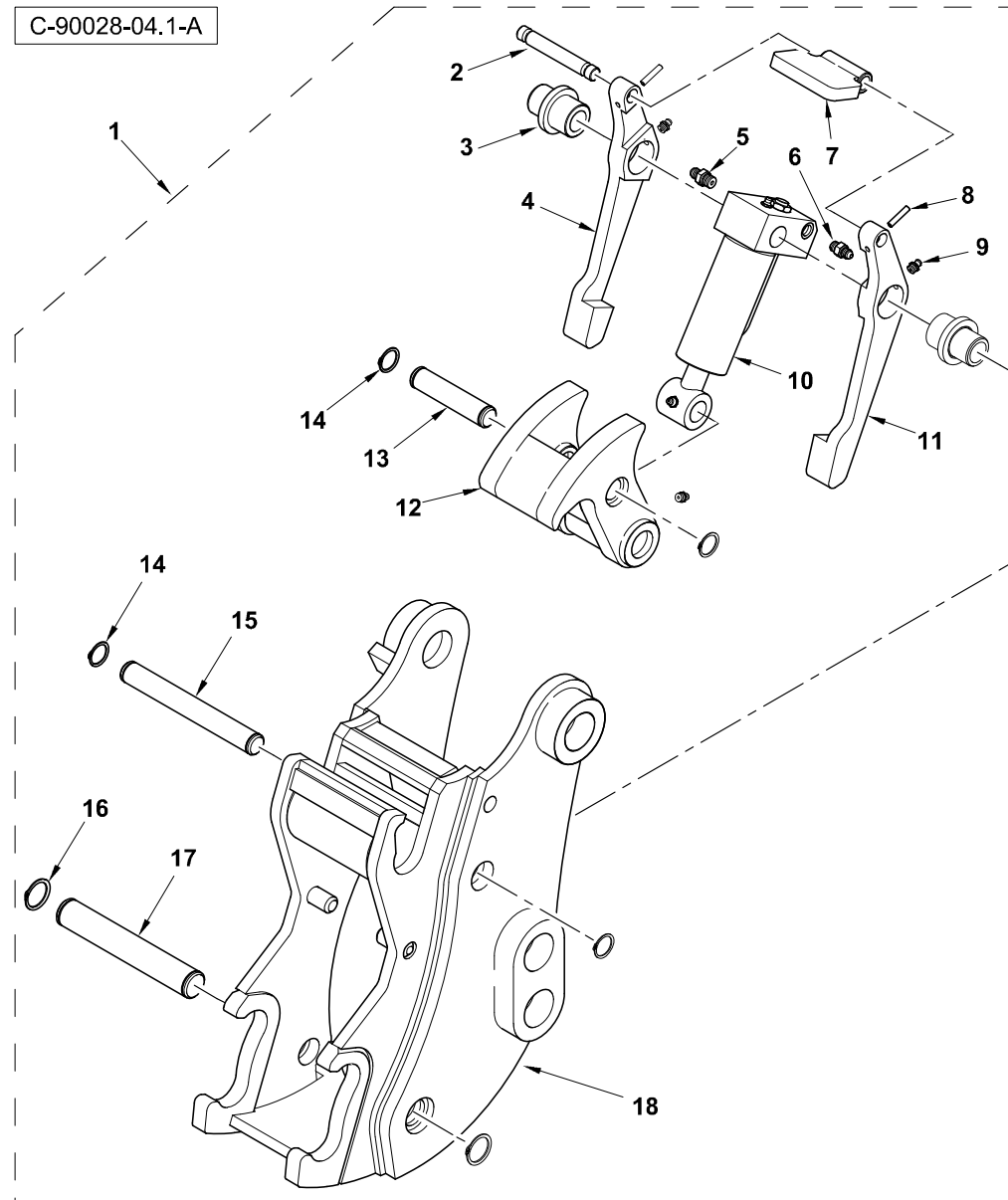


Item	Part No.	Qty.	English	French	German	Spanish	Remarks
1	365830X91	1	Connector	Adaptateur	Reduziernippel	Unión	
2	#UNION	1	Union	Union	Union	Union	Ref. 1
3	#O-RING	1	O-Ring	Joint Torique	O-Ring	Junta Tórica	
4	6109910M91	1	Hose Assy - Q/A Feed	Flexible Ass.	Schlauch Kpl	Flexible, Conj.	
5	6106011M91	1	Valve-Digger Quick Attach.	Électrovalve	Magnetventil	Electroválvula	90028c03.1
6	391244X1	2	Bolt M6-45 Z5s	Goupille	Bolzen - M6 X 45	Perno	
7	1441500X1	2	Nut M6 Z5 Nyloc	Ecrou	Flachmutter M6	Tuerca De Retención	
8	370807X91	2	Elbow 90 7/16jic9/16or	Coude, 90	Kniestück, 90°	Codo, 90°	
9	#ELBOW	1	Elbow	Elbow	Elbow	Elbow	Ref. 8
10	831452M1	1	O Ring (Pack Of 10)	Joint Torique	O Ring	Junta De Tipo O	
11	3519882M92	2	Hose-(Cm Kit) Q/Attach	Flexible	Schlauch	Flexible, Conj.	
12	365065X91	2	Connector 7/16x9/16	Borne	Doppelnippel	Unión	
13	#UNION	1	Union	Union	Union	Union	Ref. 12
14	831452M1	1	O Ring (Pack Of 10)	Joint Torique	O Ring	Junta De Tipo O	
15	3519226M91	1	Hose Assy	Flexible Ass.	Schlauch Kpl	Flexible, Conj.	

C-90028-03.1-A

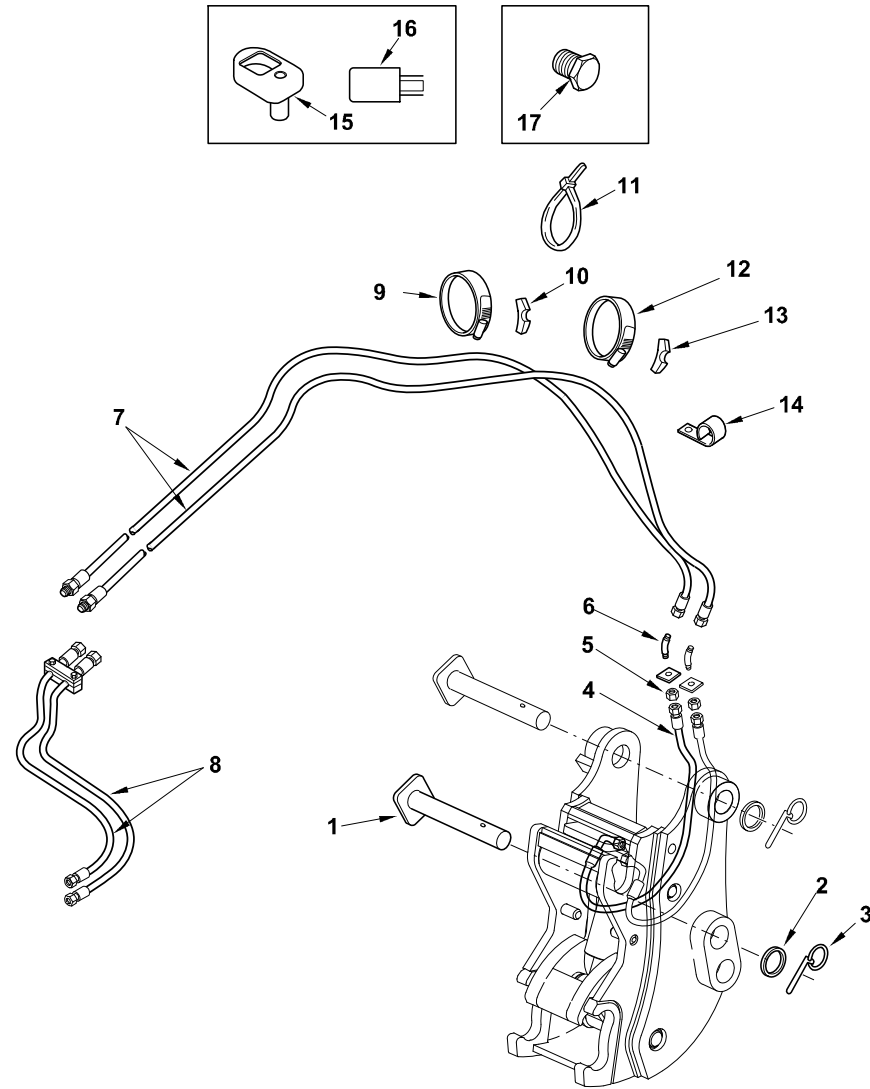


Item	Part No.	Qty.	English	French	German	Spanish	Remarks
1	6106011M91	1	Valve-Digger Quick Attach.	Électrovalve	Magnetventil	Electroválvula	90028c02.1 5
2	#BODY	1	Body	Body	Body	Body	Ref. 1
3	6193020M91	1	Cartridge Assy	Cartouche Ass.	Einsatz Kplt	Solenoido, Conj.	
4	#NUT	1	Nut	Ecrou	Mutter	Tuerca	Ref. 3
5	#CARTRIDGE	1	Cartridge	Cartridge	Cartridge	Cartridge	Ref. 3
6	6193022M91	1	Kit Seal	Jeu Étanchéité	Dichtringsatz	Juego De Juntas	
7	6191096M91	1	Coil Assy.	Bobine	Wicklung, Spule	Bobina	
8	6193021M1	1	Restrictor	Réduction	Reduzierstück	Reducción	



Item	Part No.	Qty.	English	French	German	Spanish	Remarks
1	T101115	1	Miller Q/A Assy - Fully Hydraulic (Fabricated)	Ensem. D'attel. Rapide	Schnellkupplung Kpl.	Engan. Rapido, Conj.	
2	T101175	1	Latch Pin	Goupille	Bolzen	Pasador	
3	T101169	2	Arm Hinge	Charniere	Scharnier	Bisagra	
4	T101171	1	Arm LH	Bras - LH	Arm - LH	Brazo - LH	
5	6106088M91	1	Connector, Hydraulic	Borne	Doppelnippel	Conector	
6	358741X91	1	Union, Hydr.	Raccord	Verschraubung	Racor	
7	T101173	1	Front Latch	Verrou	Riegel	Cerrojo	
8	T101181	2	Roll Pin	Goupille Roulee	Spannhulse	Pasador Elastico	
9	T101182	3	Grease Nipple - Miller Hydraulic Q/A	Graisseur Coude	Nippel	Niple	
10	T101174	1	Cylinder Assy - Miller Hydraulic Q/A	Cylindre	Zylinder	Cilindro	
11	T101172	1	Arm RH	Bras - RH	Arm - RH	Brazo - RH	
12	T101170	1	Hook Assy	Crochet	Haken	Gancho	
13	T101178	1	Rod Pin	Goupille	Bolzen	Pasador	
14	T101179	4	Retaining Ring	Reteneur	Haltering	Retenedor	
15	T101176	1	Arm Pin	Goupille	Bolzen	Pasador	
16	T101180	2	Retaining Ring	Reteneur	Haltering	Retenedor	
17	T101177	1	Hook Pin	Goupille	Bolzen	Pasador	
18	T101167	1	Body Assy - Miller Hydraulic Q/A	Corps	Korper	Cuerpo	

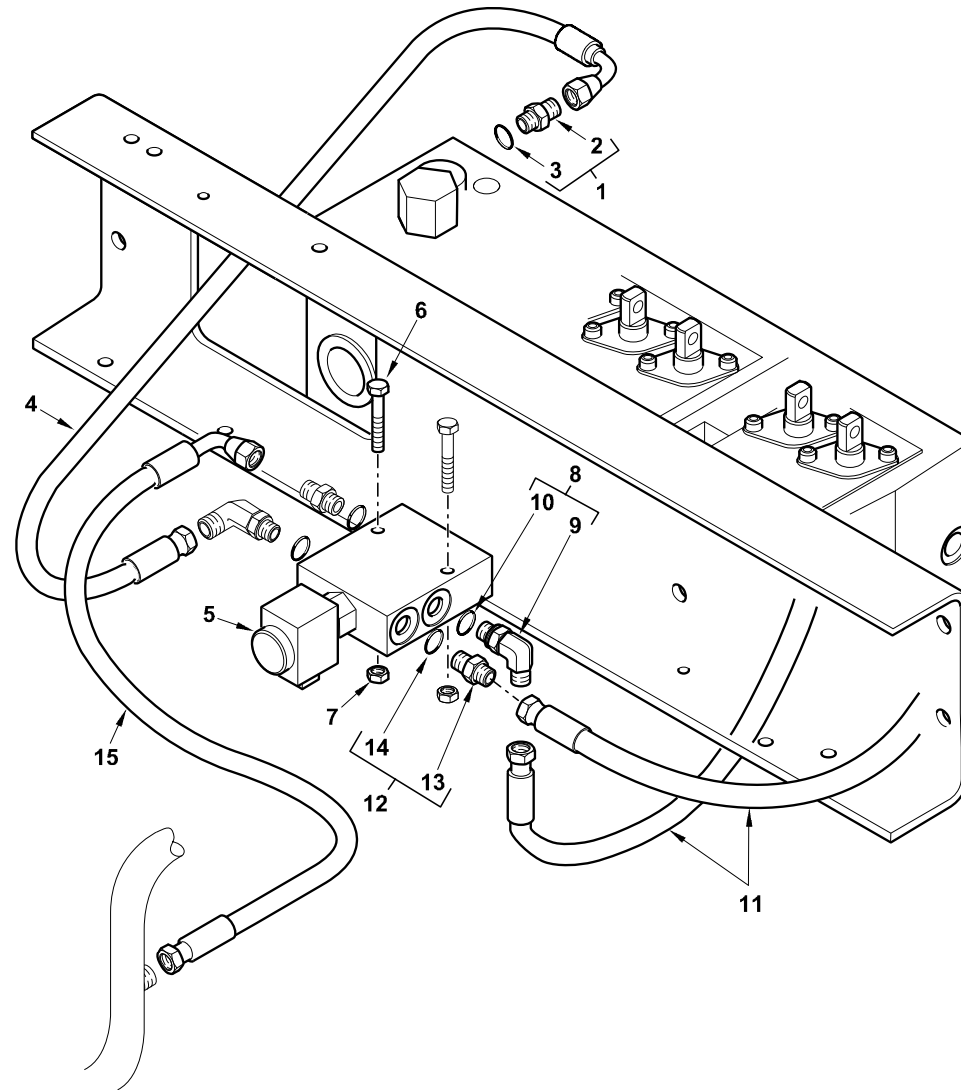
C-90029-01.1-A



Item	Part No.	Qty.	English	French	German	Spanish	Remarks
1	3516519M94	2	Pin & Plate 45-322,5	Axe	Bolzen	Pasador	
2	3501790M1	2	Washer M46-65-5 Z	Rondelle	Scheibe	Arandela	
3	3516522M91	2	Pin Safety Linch	Goupille D´Arrêt	Klappstecker	Pasador De Parada	
4	T101116	2	Hose Assy - Fully Hydraulic Q/A	Ensemble Durit	Schlauch Kpl	Con. De Manguera	
5	356612X1	2	Nut 7/16" Unf	Ecrou Unf	Mutter 7/16" Unf	Tuerca	
6	371089X1	2	Elbow 45 Deg	Coude, 45	Kniestück, 45°	Codo, 45°	
7	6106086M91	2	Hose-Miller Q/Attach Hyd.	Flexible Ass.	Schlauch Kpl	Flexible, Conj.	
8	#HOSE ASSY	2	Hose Assy	Hose Assy	Hose Assy	Hose Assy	90029c02.1 11
9	3517732M1	1	Clip, Hose	Collier Durit	Schlauchschelle	Argolla De Fijación	
10	D142787	1	Saddle (See 142787d)	Selle	Sattel	Bloque De Caucho	
11	1664405M1	6	Tie Mm T50s	Attache Cable	Kabelbinder	Enlace De Cable	
12	3517731M1	1	Clamp-Hose	Bride Pour Tutaux	Schlauchschelle	Argolla De Fijación	
13	D142787	1	Saddle (See 142787d)	Selle	Sattel	Bloque De Caucho	
14	515-22127	4	Clip-Coated P	Collier De Fixation	Befestigungsschelle	Argolla De Fijación	
15	6101777M91	1	Cover Assy. - Switch Operating	Cache	Abdeckung	Tapa	
16	6102490M1	1	Relay-Micro	Relais	Relais	Relé	
17	356577X1	2	Cap Blanking 7/16 Jic	Chapeau	Kappe	Sombreroete	

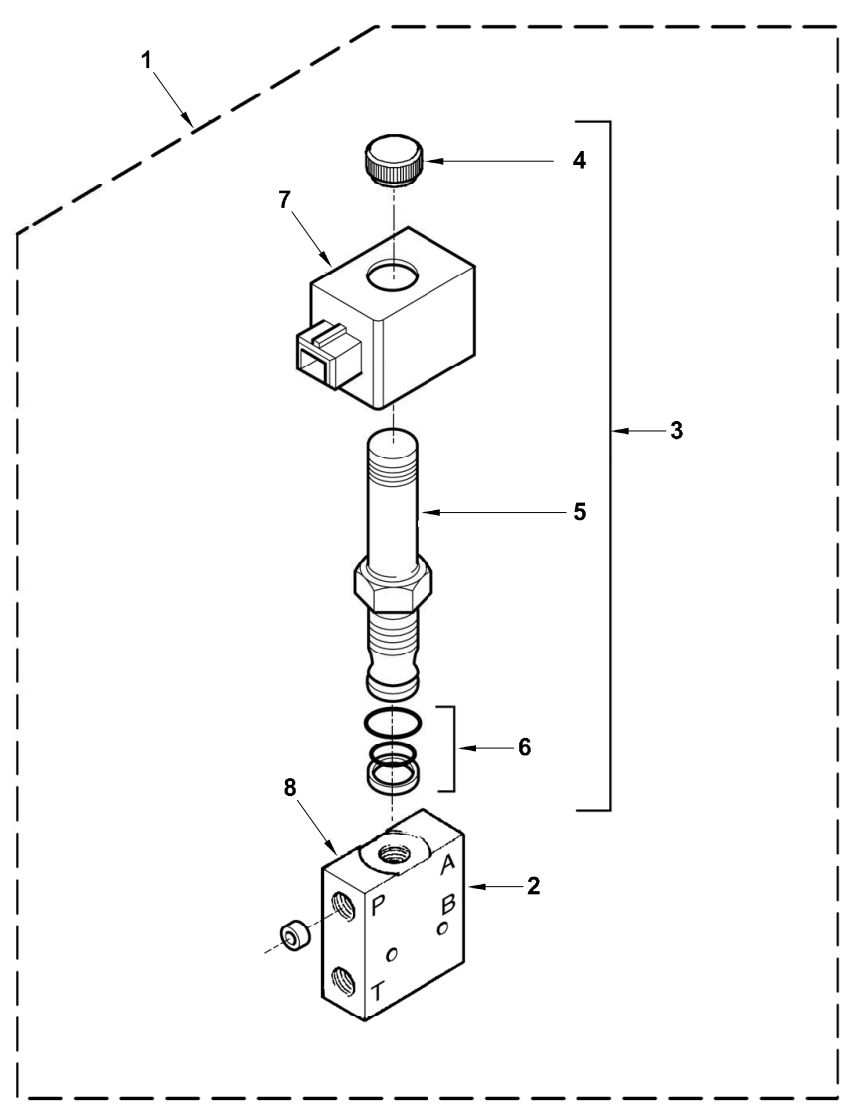


C-90029-02.1-A



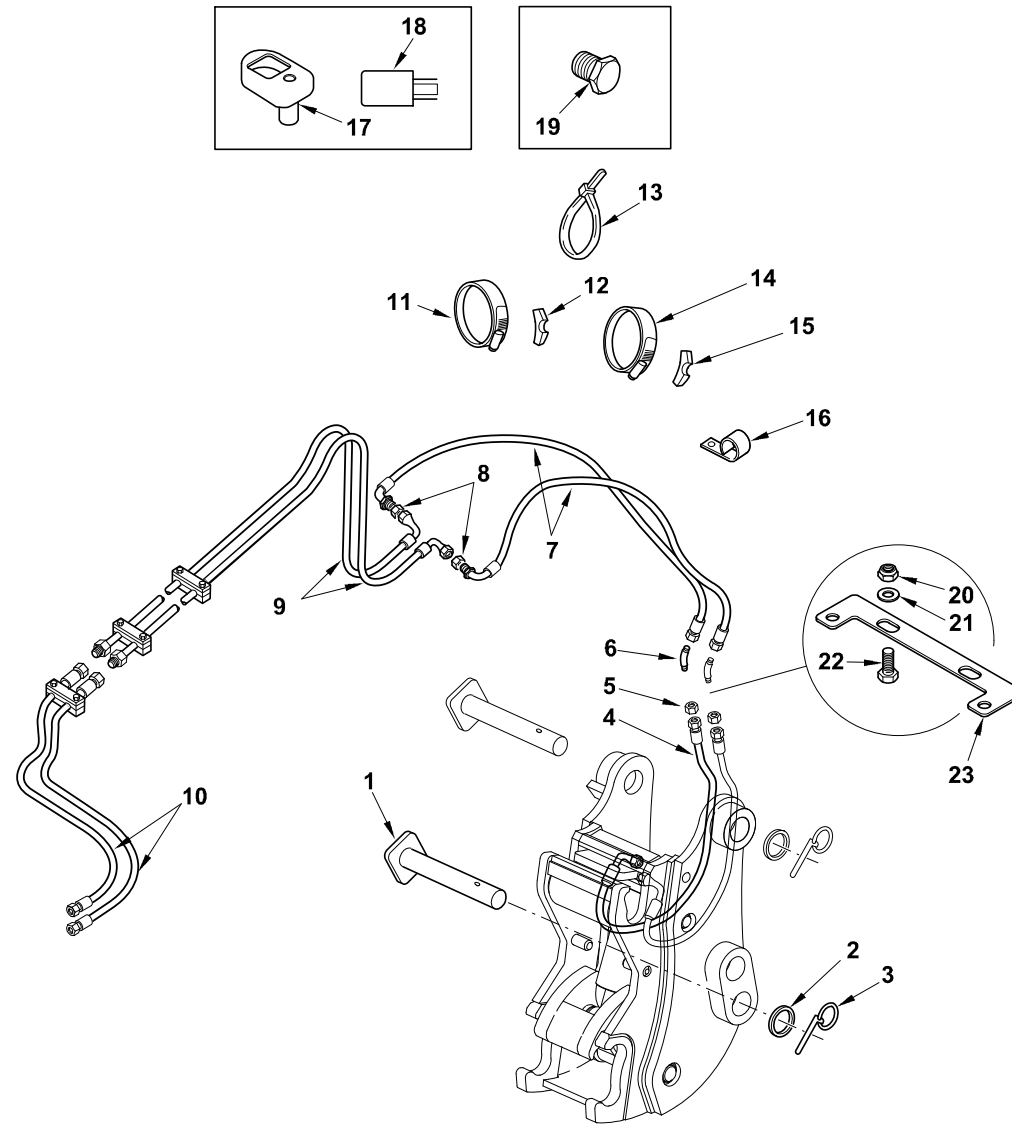
Item	Part No.	Qty.	English	French	German	Spanish	Remarks
1	365830X91	1	Connector	Adaptateur	Reduziernippel	Unión	
2	#UNION	1	Union	Union	Union	Union	Ref. 1
3	#O-RING	1	O-Ring	Joint Torique	O-Ring	Junta Tórica	
4	6109910M91	1	Hose Assy - Q/A Feed	Flexible Ass.	Schlauch Kpl	Flexible, Conj.	
5	6106011M91	1	Valve-Digger Quick Attach.	Électrovalve	Magnetventil	Electroválvula	90029c03.1
6	391244X1	2	Bolt M6-45 Z5s	Goupille	Bolzen - M6 X 45	Perno	
7	1441500X1	2	Nut M6 Z5 Nyloc	Ecrou	Flachmutter M6	Tuerca De Retención	
8	370807X91	2	Elbow 90 7/16jic9/16or	Coude, 90	Kniestück, 90°	Codo, 90°	
9	#ELBOW	1	Elbow	Elbow	Elbow	Elbow	Ref. 8
10	831452M1	1	O Ring (Pack Of 10)	Joint Torique	O Ring	Junta De Tipo O	
11	6102806M91	1	Hose-Quick Attach	Flexible Ass.	Schlauch Kpl	Flexible, Conj.	Yellow
11	6111273M91	1	Hose Assembly - Q/Attach	Ensemble Durit	Schlauch Kpl	Flexible, Conj.	
12	365065X91	2	Connector 7/16x9/16	Borne	Doppelnippel	Unión	
13	#UNION	1	Union	Union	Union	Union	Ref. 12
14	831452M1	1	O Ring (Pack Of 10)	Joint Torique	O Ring	Junta De Tipo O	
15	3519226M91	1	Hose Assy	Flexible Ass.	Schlauch Kpl	Flexible, Conj.	

C-90029-03.1-A



Item	Part No.	Qty.	English	French	German	Spanish	Remarks
1	6106011M91	1	Valve-Digger Quick Attach.	Électrovalve	Magnetventil	Electroválvula	90029c02.1 5
2	#BODY	1	Body	Body	Body	Body	Ref. 1
3	6193020M91	1	Cartridge Assy	Cartouche Ass.	Einsatz Kplt	Solenoido, Conj.	
4	#NUT	1	Nut	Ecrou	Mutter	Tuerca	Ref. 3
5	#CARTRIDGE	1	Cartridge	Cartridge	Cartridge	Cartridge	Ref. 3
6	6193022M91	1	Kit Seal	Jeu Étanchéité	Dichtringsatz	Juego De Juntas	
7	6191096M91	1	Coil Assy.	Bobine	Wicklung, Spule	Bobina	
8	6193021M1	1	Restrictor	Réduction	Reduzierstück	Reducción	

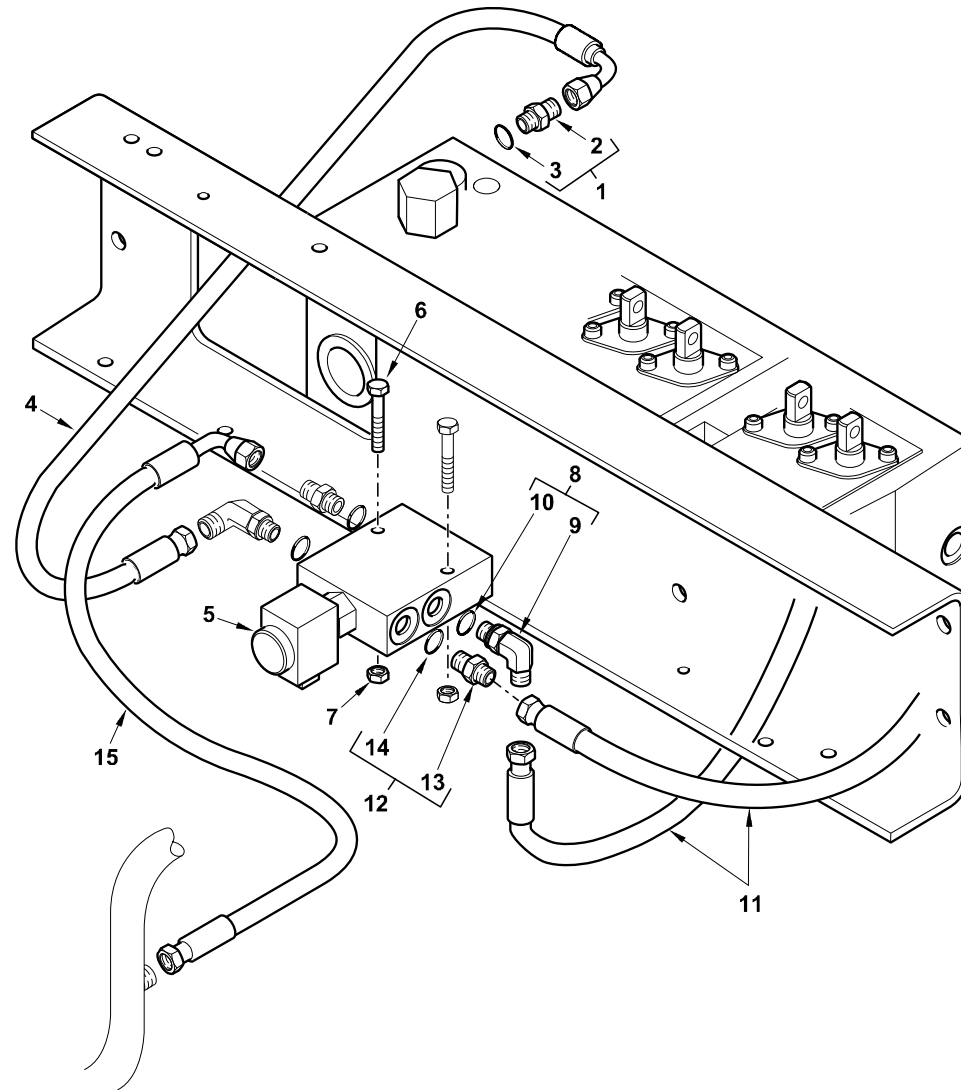
C-90030-01.1-A



Item	Part No.	Qty.	English	French	German	Spanish	Remarks
1	3516519M94	2	Pin & Plate 45-322,5	Axe	Bolzen	Pasador	
2	3501790M1	2	Washer M46-65-5 Z	Rondelle	Scheibe	Arandela	
3	3516522M91	2	Pin Safety Linch	Goupille D´ Arrêt	Klappstecker	Pasador De Parada	
4	T101116	2	Hose Assy - Fully Hydraulic Q/A	Ensemble Durit	Schlauch Kpl	Con. De Manguera	
5	356612X1	2	Nut 7/16" Unf	Ecrou Unf	Mutter 7/16" Unf	Tuerca	
6	371089X1	2	Elbow 45 Deg	Coude, 45	Kniestück, 45°	Codo, 45°	
7	6102922M92	2	Hose-Miller Q/Attach Hyd.	Ensemble Durit	Schlauch Kpl	Flexible, Conj.	
8	356612X1	2	Nut 7/16" Unf	Ecrou Unf	Mutter 7/16" Unf	Tuerca	
9	3521945M95	1	Hose Assy. - Digger Quick Attach	Flexible Ass.	Schlauch Kpl	Flexible, Conj.	Yellow
9	6111272M91	1	Hose Assembly - Q/Attach Boom	Ensemble Durit	Schlauch Kpl	Flexible, Conj.	Black
10	#HOSE ASSY	2	Hose Assy	Hose Assy	Hose Assy	Hose Assy	90030c02.1 11
11	3517732M1	1	Clip, Hose	Collier Durit	Schlauchschelle	Argolla De Fijación	
12	D142787	1	Saddle (See 142787d)	Selle	Sattel	Bloque De Caucho	
13	1664405M1	6	Tie Mm T50s	Attache Cable	Kabelbinder	Enlace De Cable	
14	3517731M1	1	Clamp-Hose	Bride Pour Tutaux	Schlauchschelle	Argolla De Fijación	
15	D142787	1	Saddle (See 142787d)	Selle	Sattel	Bloque De Caucho	
16	515-22127	4	Clip-Coated P	Collier De Fixation	Befestigungsschelle	Argolla De Fijación	
17	6101777M91	1	Cover Assy. - Switch Operating	Cache	Abdeckung	Tapa	
18	6102490M1	1	Relay-Micro	Relais	Relais	Relé	
19	356577X1	2	Cap Blanking 7/16 Jic	Chapeau	Kappe	Sombbrero	
20	1440329X1	2	Nut, Hex. - Nyloc, M10	Ecrou Blocage	Flachmutter M10	Tuerca De Retención	
21	390597X1	2	Washer, Large - M10	Rondelle	Scheibe	Arandela	
22	3009492X1	2	Bolt - Hex. M10 X 25	Boulon M10 X 25	Schraube M10 X 25	Tornillo	
23	6112498M1	1	Bracket	Support Fixation	Haltearm	Pata De Fijación	



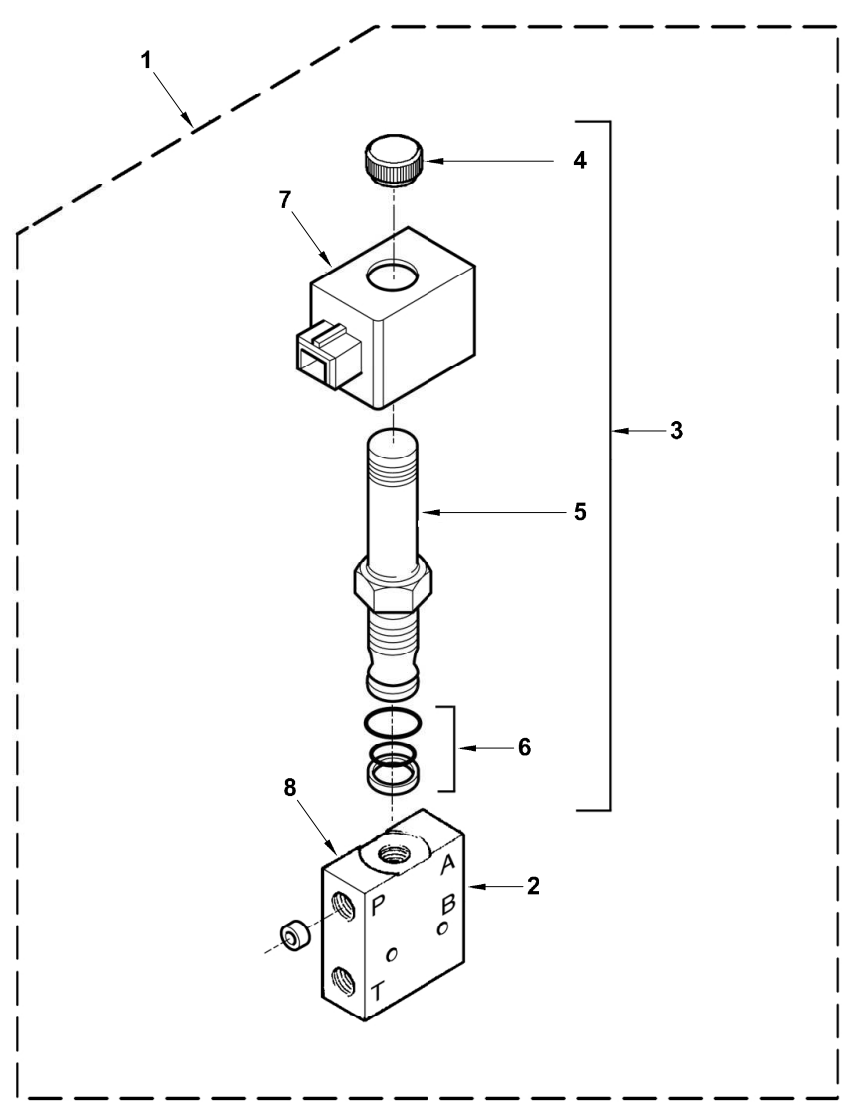
C-90030-02.1-A



Item	Part No.	Qty.	English	French	German	Spanish	Remarks
1	365830X91	1	Connector	Adaptateur	Reduziernippel	Unión	
2	#UNION	1	Union	Union	Union	Union	Ref. 1
3	#O-RING	1	O-Ring	Joint Torique	O-Ring	Junta Tórica	
4	6109910M91	1	Hose Assy - Q/A Feed	Flexible Ass.	Schlauch Kpl	Flexible, Conj.	
5	6106011M91	1	Valve-Digger Quick Attach.	Électrovalve	Magnetventil	Electroválvula	90030c03.1
6	391244X1	2	Bolt M6-45 Z5s	Goupille	Bolzen - M6 X 45	Perno	
7	1441500X1	2	Nut M6 Z5 Nyloc	Ecrou	Flachmutter M6	Tuerca De Retención	
8	370807X91	2	Elbow 90 7/16jic9/16or	Coude, 90	Kniestück, 90°	Codo, 90°	
9	#ELBOW	1	Elbow	Elbow	Elbow	Elbow	Ref. 8
10	831452M1	1	O Ring (Pack Of 10)	Joint Torique	O Ring	Junta De Tipo O	
11	6111273M91	1	Hose Assembly - Q/Attach	Ensemble Durit	Schlauch Kpl	Flexible, Conj.	
11	6102806M91	1	Hose-Quick Attach	Flexible Ass.	Schlauch Kpl	Flexible, Conj.	Yellow
12	365065X91	2	Connector 7/16x9/16	Borne	Doppelnippel	Unión	
13	#UNION	1	Union	Union	Union	Union	Ref. 12
14	831452M1	1	O Ring (Pack Of 10)	Joint Torique	O Ring	Junta De Tipo O	
15	3519226M91	1	Hose Assy	Flexible Ass.	Schlauch Kpl	Flexible, Conj.	



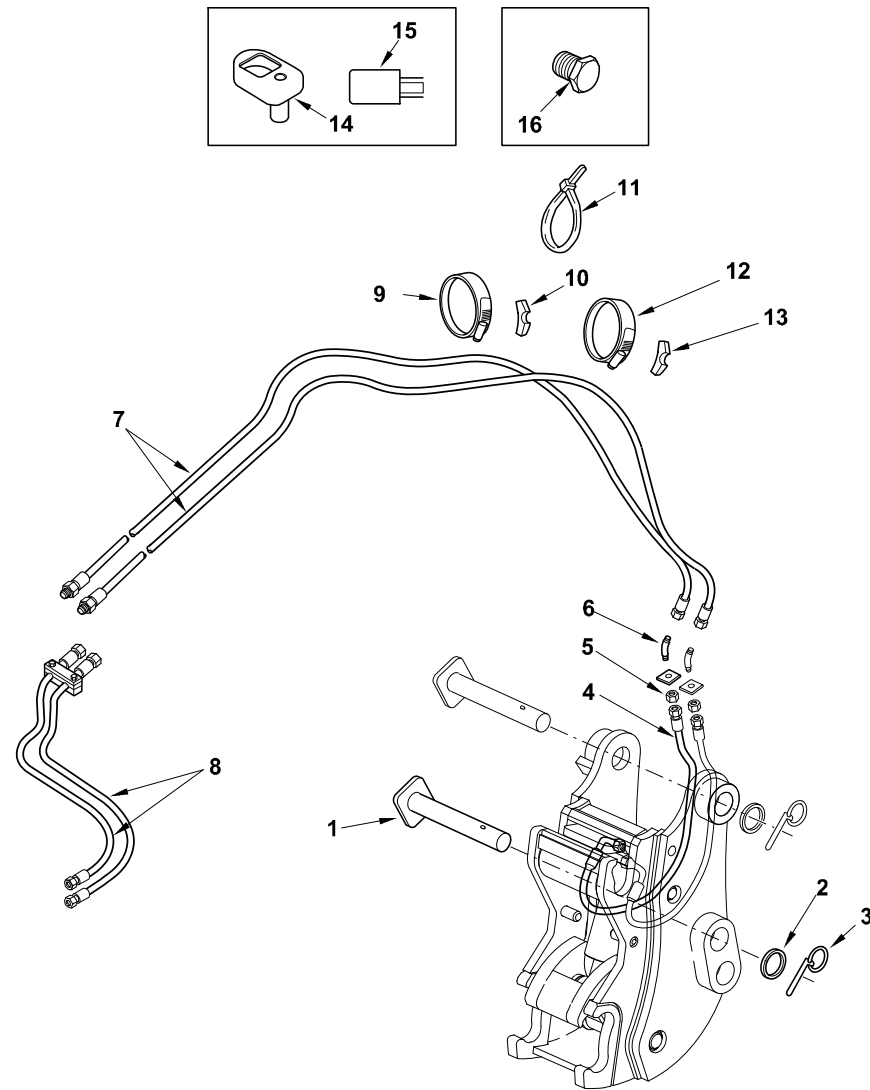
C-90030-03.1-A



Item	Part No.	Qty.	English	French	German	Spanish	Remarks
1	6106011M91	1	Valve-Digger Quick Attach.	Électrovalve	Magnetventil	Electroválvula	90030c02.1 5
2	#BODY	1	Body	Body	Body	Body	Ref. 1
3	6193020M91	1	Cartridge Assy	Cartouche Ass.	Einsatz Kplt	Solenoido, Conj.	
4	#NUT	1	Nut	Ecrou	Mutter	Tuerca	Ref. 3
5	#CARTRIDGE	1	Cartridge	Cartridge	Cartridge	Cartridge	Ref. 3
6	6193022M91	1	Kit Seal	Jeu Étanchéité	Dichtringsatz	Juego De Juntas	
7	6191096M91	1	Coil Assy.	Bobine	Wicklung, Spule	Bobina	
8	6193021M1	1	Restrictor	Réduction	Reduzierstück	Reducción	



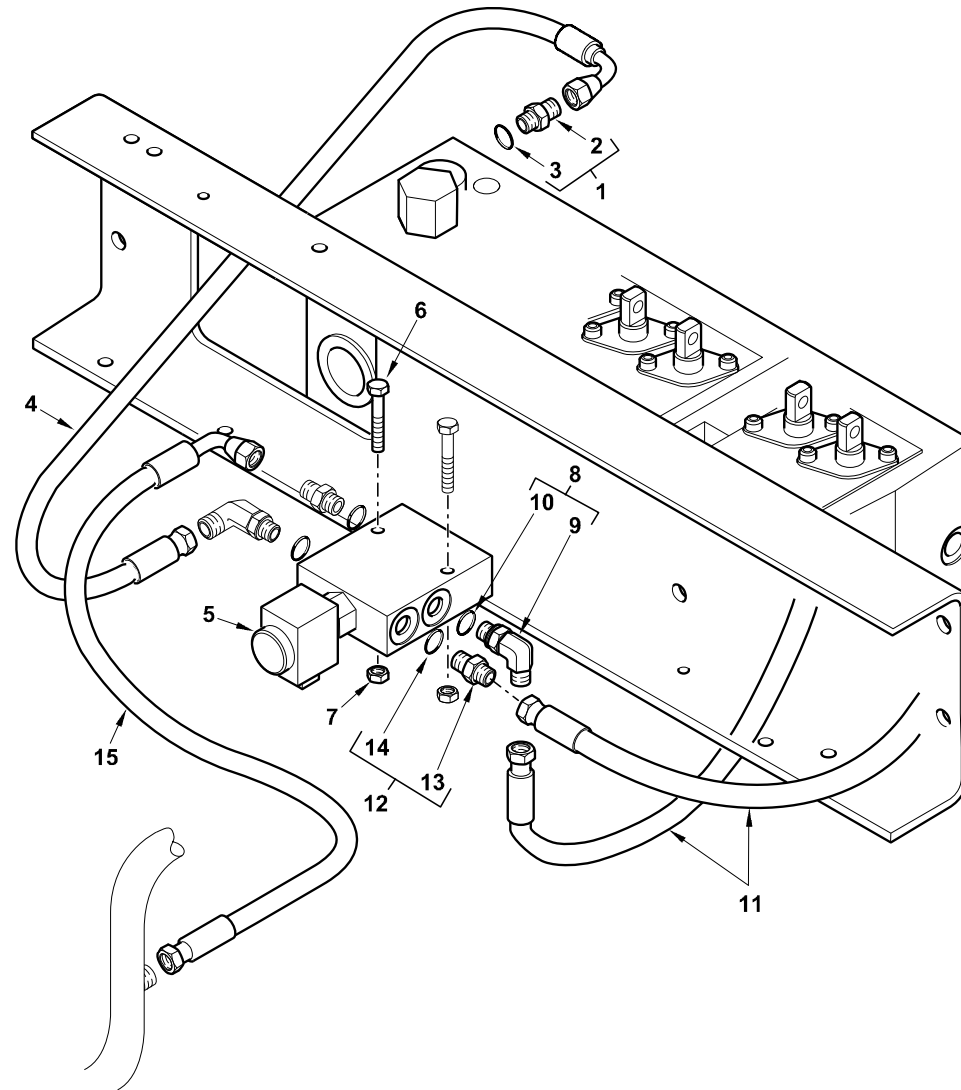
C-90031-01.1-A



Item	Part No.	Qty.	English	French	German	Spanish	Remarks
1	3516519M94	2	Pin & Plate 45-322,5	Axe	Bolzen	Pasador	
2	3501790M1	2	Washer M46-65-5 Z	Rondelle	Scheibe	Arandela	
3	3516522M91	2	Pin Safety Linch	Goupille D´Arrêt	Klappstecker	Pasador De Parada	
4	T101116	2	Hose Assy - Fully Hydraulic Q/A	Ensemble Durit	Schlauch Kpl	Con. De Manguera	
5	356612X1	2	Nut 7/16" Unf	Ecrou Unf	Mutter 7/16" Unf	Tuerca	
6	371089X1	2	Elbow 45 Deg	Coude, 45	Kniestück, 45°	Codo, 45°	
7	6106086M91	2	Hose-Miller Q/Attach Hyd.	Flexible Ass.	Schlauch Kpl	Flexible, Conj.	
8	#HOSE ASSY	2	Hose Assy	Hose Assy	Hose Assy	Hose Assy	90031c02.1 11
9	3517732M1	1	Clip, Hose	Collier Durit	Schlauchschelle	Argolla De Fijación	
10	D142787	1	Saddle (See 142787d)	Selle	Sattel	Bloque De Caucho	
11	1664405M1	6	Tie Mm T50s	Attache Cable	Kabelbinder	Enlace De Cable	
12	3517731M1	1	Clamp-Hose	Bride Pour Tutaux	Schlauchschelle	Argolla De Fijación	
13	D142787	1	Saddle (See 142787d)	Selle	Sattel	Bloque De Caucho	
14	6101777M91	1	Cover Assy. - Switch Operating	Cache	Abdeckung	Tapa	
15	6102490M1	1	Relay-Micro	Relais	Relais	Relé	
16	356577X1	2	Cap Blanking 7/16 Jic	Chapeau	Kappe	Sombrete	

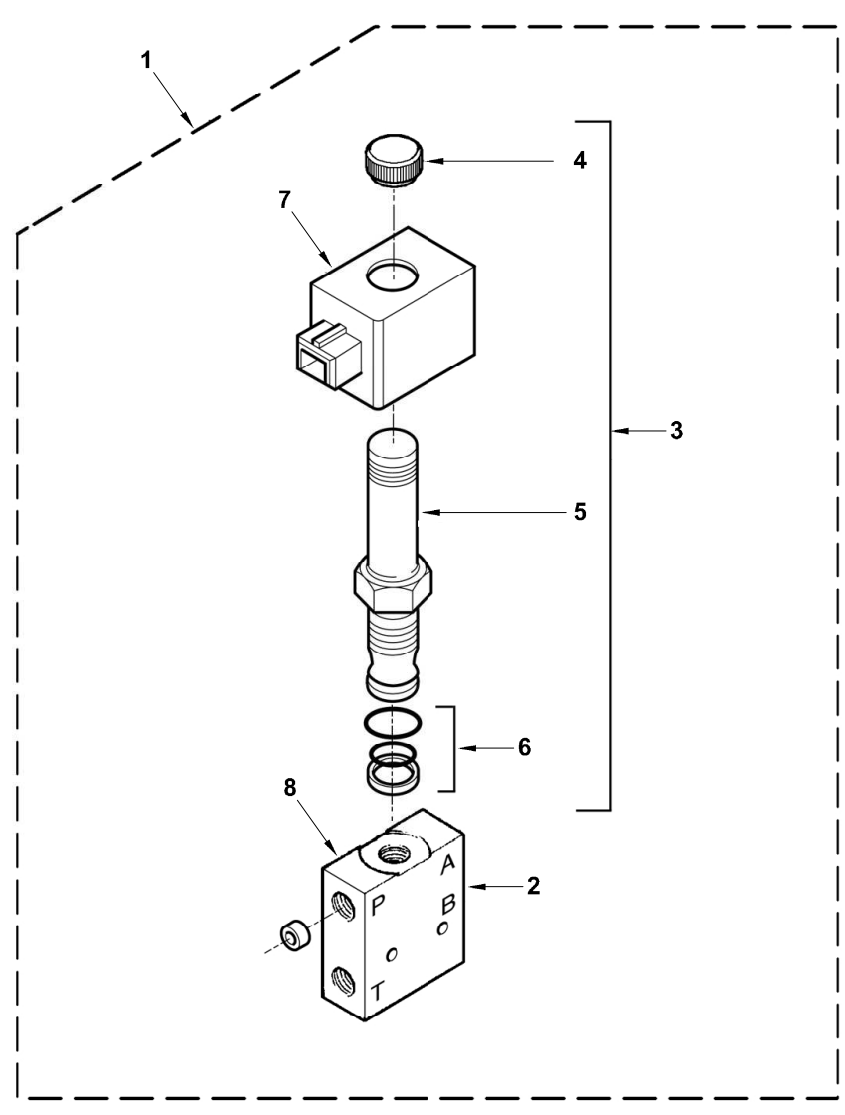


C-90031-02.1-A



Item	Part No.	Qty.	English	French	German	Spanish	Remarks
1	365830X91	1	Connector	Adaptateur	Reduziernippel	Unión	
2	#UNION	1	Union	Union	Union	Unión	Ref. 1
3	#O-RING	1	O-Ring	Joint Torique	O-Ring	Junta Tórica	
4	6109910M91	1	Hose Assy - Q/A Feed	Flexible Ass.	Schlauch Kpl	Flexible, Conj.	
5	6106011M91	1	Valve-Digger Quick Attach.	Électrovalve	Magnetventil	Electroválvula	90031c03.1 1
6	391244X1	2	Bolt M6-45 Z5s	Goupille	Bolzen - M6 X 45	Perno	
7	1441500X1	2	Nut M6 Z5 Nyloc	Ecrou	Flachmutter M6	Tuerca De Retención	
8	370807X91	2	Elbow 90 7/16jic9/16or	Coude, 90	Kniestück, 90°	Codo, 90°	
9	#ELBOW	1	Elbow	Elbow	Elbow	Elbow	Ref. 8
10	831452M1	1	O Ring (Pack Of 10)	Joint Torique	O Ring	Junta De Tipo O	
11	3519882M92	2	Hose-(Cm Kit) Q/Attach	Flexible	Schlauch	Flexible, Conj.	
12	365065X91	2	Connector 7/16x9/16	Borne	Doppelnippel	Unión	
13	#UNION	1	Union	Union	Union	Unión	Ref. 12
14	831452M1	1	O Ring (Pack Of 10)	Joint Torique	O Ring	Junta De Tipo O	
15	3519226M91	1	Hose Assy	Flexible Ass.	Schlauch Kpl	Flexible, Conj.	

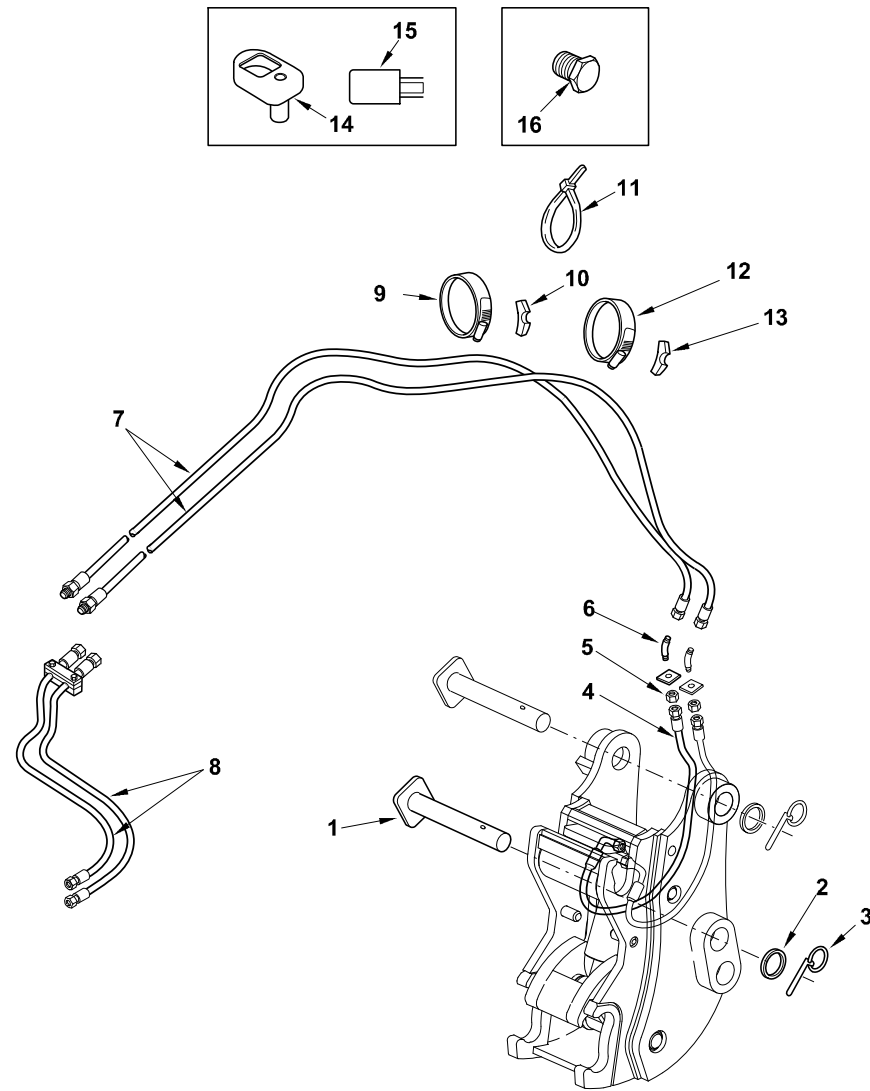
C-90031-03.1-A



Item	Part No.	Qty.	English	French	German	Spanish	Remarks
1	6106011M91	1	Valve-Digger Quick Attach.	Électrovalve	Magnetventil	Electroválvula	90031c02.1 5
2	#BODY	1	Body	Body	Body	Body	Ref. 1
3	6193020M91	1	Cartridge Assy	Cartouche Ass.	Einsatz Kplt	Solenoido, Conj.	
4	#NUT	1	Nut	Ecrou	Mutter	Tuerca	Ref. 3
5	#CARTRIDGE	1	Cartridge	Cartridge	Cartridge	Cartridge	Ref. 3
6	6193022M91	1	Kit Seal	Jeu Étanchéité	Dichtringsatz	Juego De Juntas	
7	6191096M91	1	Coil Assy.	Bobine	Wicklung, Spule	Bobina	
8	6193021M1	1	Restrictor	Réduction	Reduzierstück	Reducción	



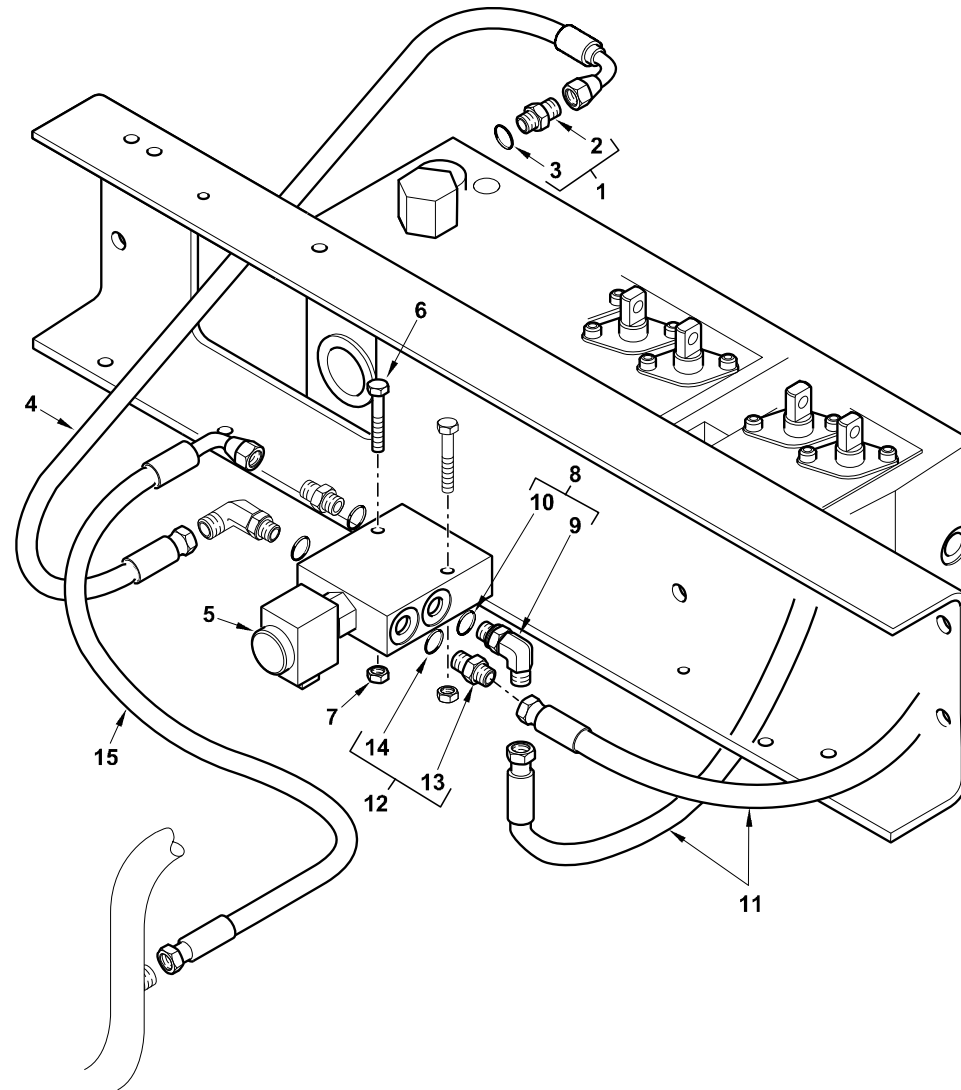
C-90032-01.1-A



Item	Part No.	Qty.	English	French	German	Spanish	Remarks
1	3516519M94	2	Pin & Plate 45-322,5	Axe	Bolzen	Pasador	
2	3501790M1	2	Washer M46-65-5 Z	Rondelle	Scheibe	Arandela	
3	3516522M91	2	Pin Safety Linch	Goupille D´Arrêt	Klappstecker	Pasador De Parada	
4	T101116	2	Hose Assy - Fully Hydraulic Q/A	Ensemble Durit	Schlauch Kpl	Con. De Manguera	
5	356612X1	2	Nut 7/16" Unf	Ecrou Unf	Mutter 7/16" Unf	Tuerca	
6	371089X1	2	Elbow 45 Deg	Coude, 45	Kniestück, 45°	Codo, 45°	
7	6106087M91	2	Hose-Miller Q/Attach Hyd.	Flexible	Schlauch Kpl	Flexible, Conj.	
8	#HOSE ASSY	2	Hose Assy	Hose Assy	Hose Assy	Hose Assy	90032c02.1 11
9	3517732M1	1	Clip, Hose	Collier Durit	Schlauchschelle	Argolla De Fijación	
10	D142787	1	Saddle (See 142787d)	Selle	Sattel	Bloque De Caucho	
11	1664405M1	6	Tie Mm T50s	Attache Cable	Kabelbinder	Enlace De Cable	
12	3517731M1	1	Clamp-Hose	Bride Pour Tutaux	Schlauchschelle	Argolla De Fijación	
13	D142787	1	Saddle (See 142787d)	Selle	Sattel	Bloque De Caucho	
14	6101777M91	1	Cover Assy. - Switch Operating	Cache	Abdeckung	Tapa	
15	6102490M1	1	Relay-Micro	Relais	Relais	Relé	
16	356577X1	2	Cap Blanking 7/16 Jic	Chapeau	Kappe	Sombbrero	



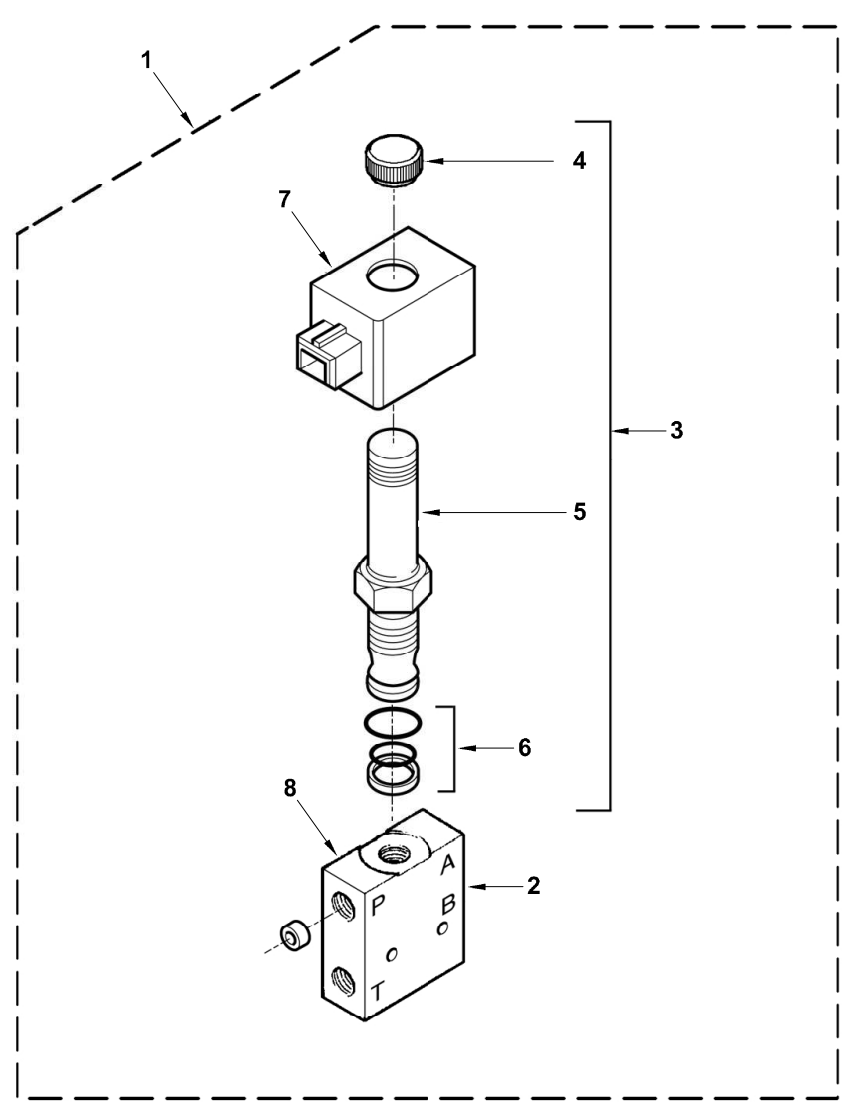
C-90032-02.1-A



Item	Part No.	Qty.	English	French	German	Spanish	Remarks
1	365830X91	1	Connector	Adaptateur	Reduziernippel	Unión	
2	#UNION	1	Union	Union	Union	Union	Ref. 1
3	#O-RING	1	O-Ring	Joint Torique	O-Ring	Junta Tórica	
4	6109910M91	1	Hose Assy - Q/A Feed	Flexible Ass.	Schlauch Kpl	Flexible, Conj.	
5	6106011M91	1	Valve-Digger Quick Attach.	Électrovalve	Magnetventil	Electroválvula	90032c03.1 1
6	391244X1	2	Bolt M6-45 Z5s	Goupille	Bolzen - M6 X 45	Perno	
7	1441500X1	2	Nut M6 Z5 Nyloc	Ecrou	Flachmutter M6	Tuerca De Retención	
8	370807X91	2	Elbow 90 7/16jic9/16or	Coude, 90	Kniestück, 90°	Codo, 90°	
9	#ELBOW	1	Elbow	Elbow	Elbow	Elbow	Ref. 8
10	831452M1	1	O Ring (Pack Of 10)	Joint Torique	O Ring	Junta De Tipo O	
11	3519882M92	2	Hose-(Cm Kit) Q/Attach	Flexible	Schlauch	Flexible, Conj.	
12	365065X91	2	Connector 7/16x9/16	Borne	Doppelnippel	Unión	
13	#UNION	1	Union	Union	Union	Union	Ref. 12
14	831452M1	1	O Ring (Pack Of 10)	Joint Torique	O Ring	Junta De Tipo O	
15	3519226M91	1	Hose Assy	Flexible Ass.	Schlauch Kpl	Flexible, Conj.	



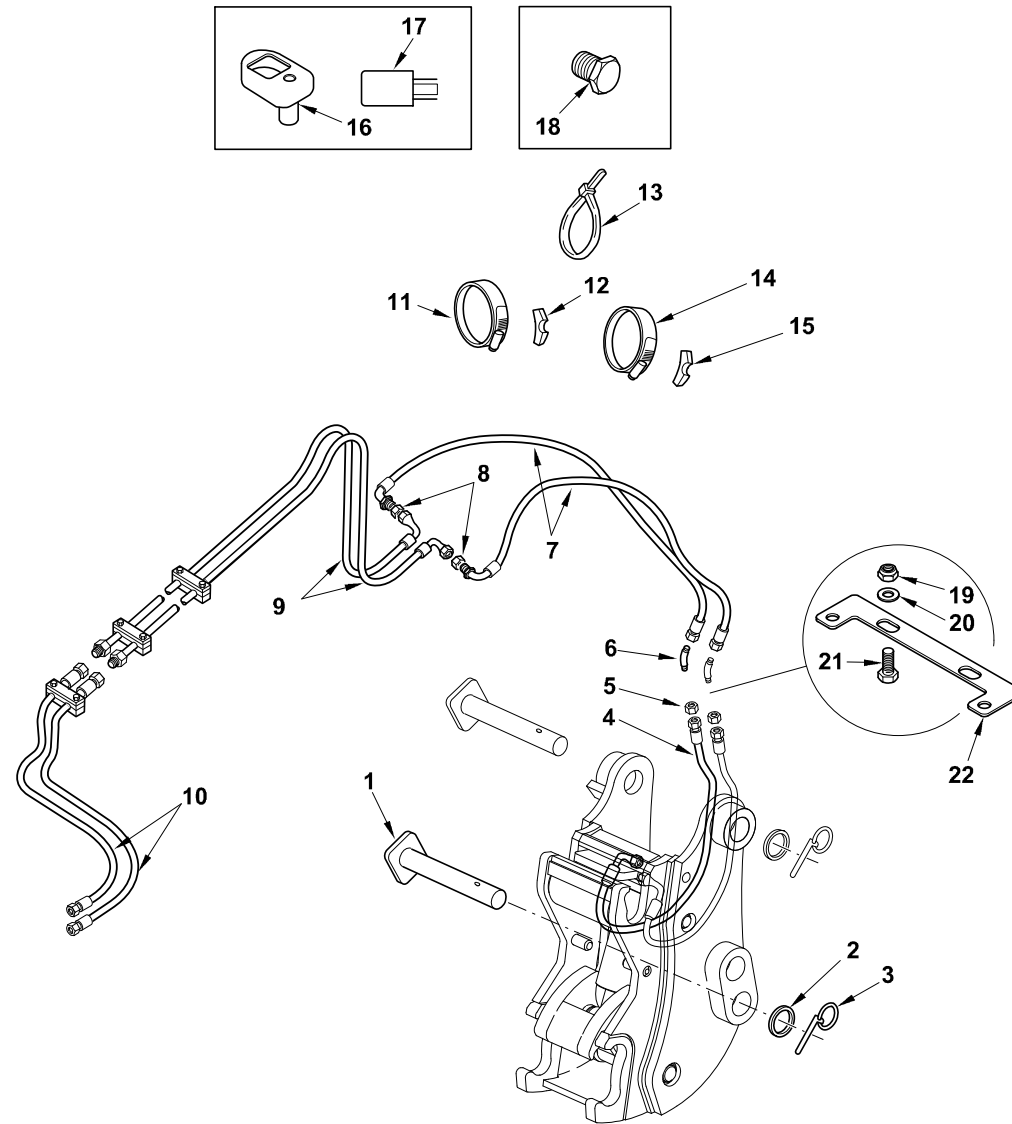
C-90032-03.1-A



Item	Part No.	Qty.	English	French	German	Spanish	Remarks
1	6106011M91	1	Valve-Digger Quick Attach.	Électrovalve	Magnetventil	Electroválvula	90032c02.1 5
2	#BODY	1	Body	Body	Body	Body	Ref. 1
3	6193020M91	1	Cartridge Assy	Cartouche Ass.	Einsatz Kplt	Solenoido, Conj.	
4	#NUT	1	Nut	Ecrou	Mutter	Tuerca	Ref. 3
5	#CARTRIDGE	1	Cartridge	Cartridge	Cartridge	Cartridge	Ref. 3
6	6193022M91	1	Kit Seal	Jeu Étanchéité	Dichtringsatz	Juego De Juntas	
7	6191096M91	1	Coil Assy.	Bobine	Wicklung, Spule	Bobina	
8	6193021M1	1	Restrictor	Réduction	Reduzierstück	Reducción	



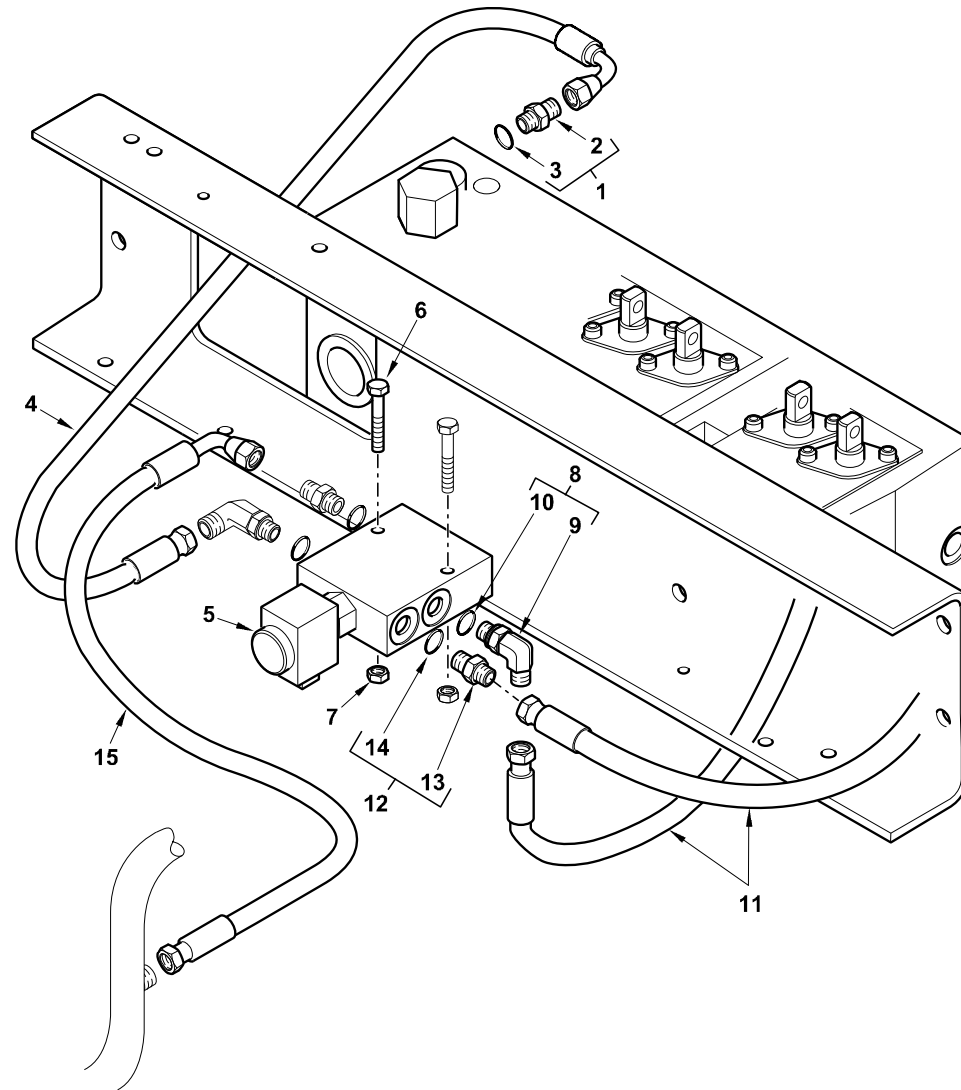
C-90033-01.1-A



Item	Part No.	Qty.	English	French	German	Spanish	Remarks
1	3516519M94	2	Pin & Plate 45-322,5	Axe	Bolzen	Pasador	
2	3501790M1	2	Washer M46-65-5 Z	Rondelle	Scheibe	Arandela	
3	3516522M91	2	Pin Safety Linch	Goupille D ´ Arrêt	Klappstecker	Pasador De Parada	
4	T101116	2	Hose Assy - Fully Hydraulic Q/A	Ensemble Durit	Schlauch Kpl	Con. De Manguera	
5	356612X1	2	Nut 7/16" Unf	Ecrou Unf	Mutter 7/16" Unf	Tuerca	
6	371089X1	2	Elbow 45 Deg	Coude, 45	Kniestück, 45°	Codo, 45°	
7	6102922M92	2	Hose-Miller Q/Attach Hyd.	Ensemble Durit	Schlauch Kpl	Flexible, Conj.	
8	356612X1	2	Nut 7/16" Unf	Ecrou Unf	Mutter 7/16" Unf	Tuerca	
9	3521945M95	1	Hose Assy. - Digger Quick Attach	Flexible Ass.	Schlauch Kpl	Flexible, Conj.	Yellow
9	6111272M91	1	Hose Assembly - Q/Attach Boom	Ensemble Durit	Schlauch Kpl	Flexible, Conj.	Black
10	#HOSE ASSY	2	Hose Assy	Hose Assy	Hose Assy	Hose Assy	90033c02.1 11
11	3517732M1	1	Clip, Hose	Collier Durit	Schlauchschelle	Argolla De Fijación	
12	D142787	1	Saddle (See 142787d)	Selle	Sattel	Bloque De Caucho	
13	1664405M1	6	Tie Mm T50s	Attache Cable	Kabelbinder	Enlace De Cable	
14	3517731M1	1	Clamp-Hose	Bride Pour Tutaux	Schlauchschelle	Argolla De Fijación	
15	D142787	1	Saddle (See 142787d)	Selle	Sattel	Bloque De Caucho	
16	6101777M91	1	Cover Assy. - Switch Operating	Cache	Abdeckung	Tapa	
17	6102490M1	1	Relay-Micro	Relais	Relais	Relé	
18	356577X1	2	Cap Blanking 7/16 Jic	Chapeau	Kappe	Sombretete	
19	1440329X1	2	Nut, Hex. - Nyloc, M10	Ecrou Blocage	Flachmutter M10	Tuerca De Retención	
20	390597X1	2	Washer, Large - M10	Rondelle	Scheible	Arandela	
21	3009492X1	2	Bolt - Hex. M10 X 25	Boulon M10 X 25	Schraube M10 X 25	Tornillo	
22	6112498M1	1	Bracket	Support Fixation	Haltearm	Pata De Fijación	



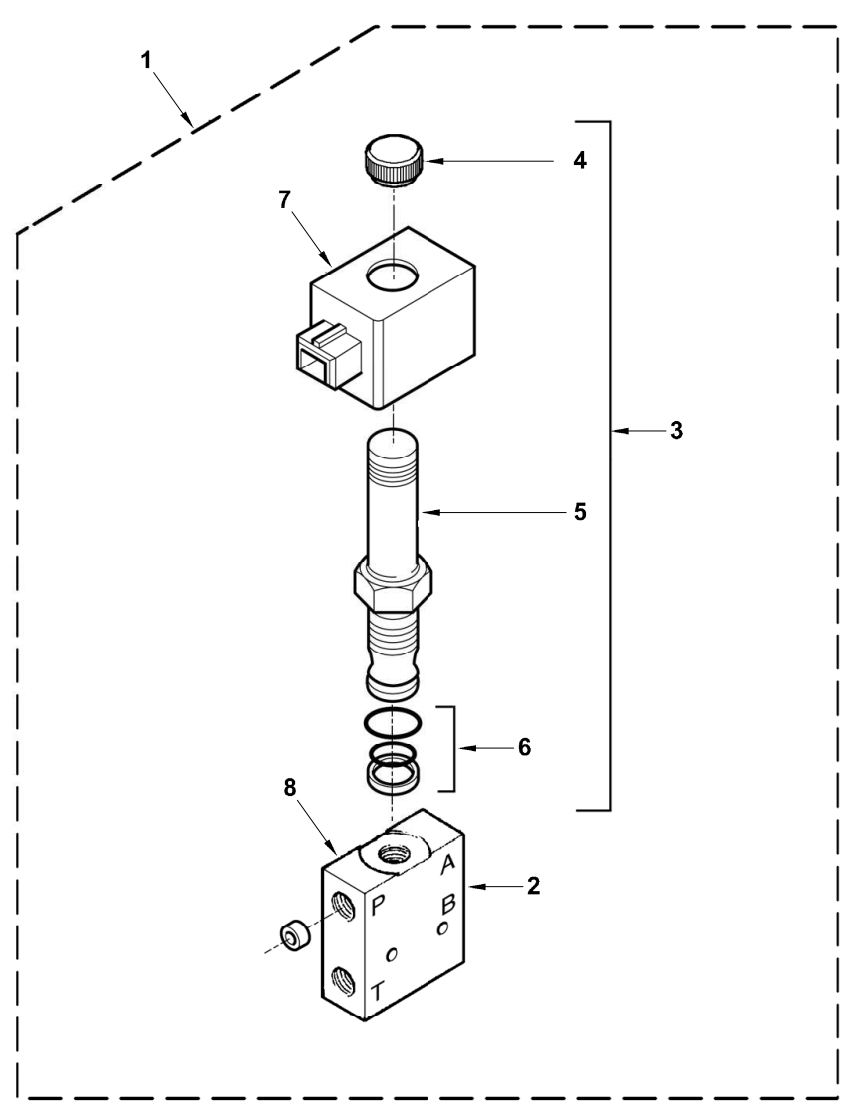
C-90033-02.1-A



Item	Part No.	Qty.	English	French	German	Spanish	Remarks
1	365830X91	1	Connector	Adaptateur	Reduziernippel	Unión	
2	#UNION	1	Union	Union	Union	Union	Ref. 1
3	#O-RING	1	O-Ring	Joint Torique	O-Ring	Junta Tórica	
4	6109910M91	1	Hose Assy - Q/A Feed	Flexible Ass.	Schlauch Kpl	Flexible, Conj.	
5	6106011M91	1	Valve-Digger Quick Attach.	Électrovalve	Magnetventil	Electroválvula	90033c03.1
6	391244X1	2	Bolt M6-45 Z5s	Goupille	Bolzen - M6 X 45	Perno	
7	1441500X1	2	Nut M6 Z5 Nyloc	Ecrou	Flachmutter M6	Tuerca De Retención	
8	370807X91	2	Elbow 90 7/16jic9/16or	Coude, 90	Kniestück, 90°	Codo, 90°	
9	#ELBOW	1	Elbow	Elbow	Elbow	Elbow	Ref. 8
10	831452M1	1	O Ring (Pack Of 10)	Joint Torique	O Ring	Junta De Tipo O	
11	6111273M91	1	Hose Assembly - Q/Attach	Ensemble Durit	Schlauch Kpl	Flexible, Conj.	
11	6102806M91	1	Hose-Quick Attach	Flexible Ass.	Schlauch Kpl	Flexible, Conj.	Yellow
12	365065X91	2	Connector 7/16x9/16	Borne	Doppelnippel	Unión	
13	#UNION	1	Union	Union	Union	Union	Ref. 12
14	831452M1	1	O Ring (Pack Of 10)	Joint Torique	O Ring	Junta De Tipo O	
15	3519226M91	1	Hose Assy	Flexible Ass.	Schlauch Kpl	Flexible, Conj.	



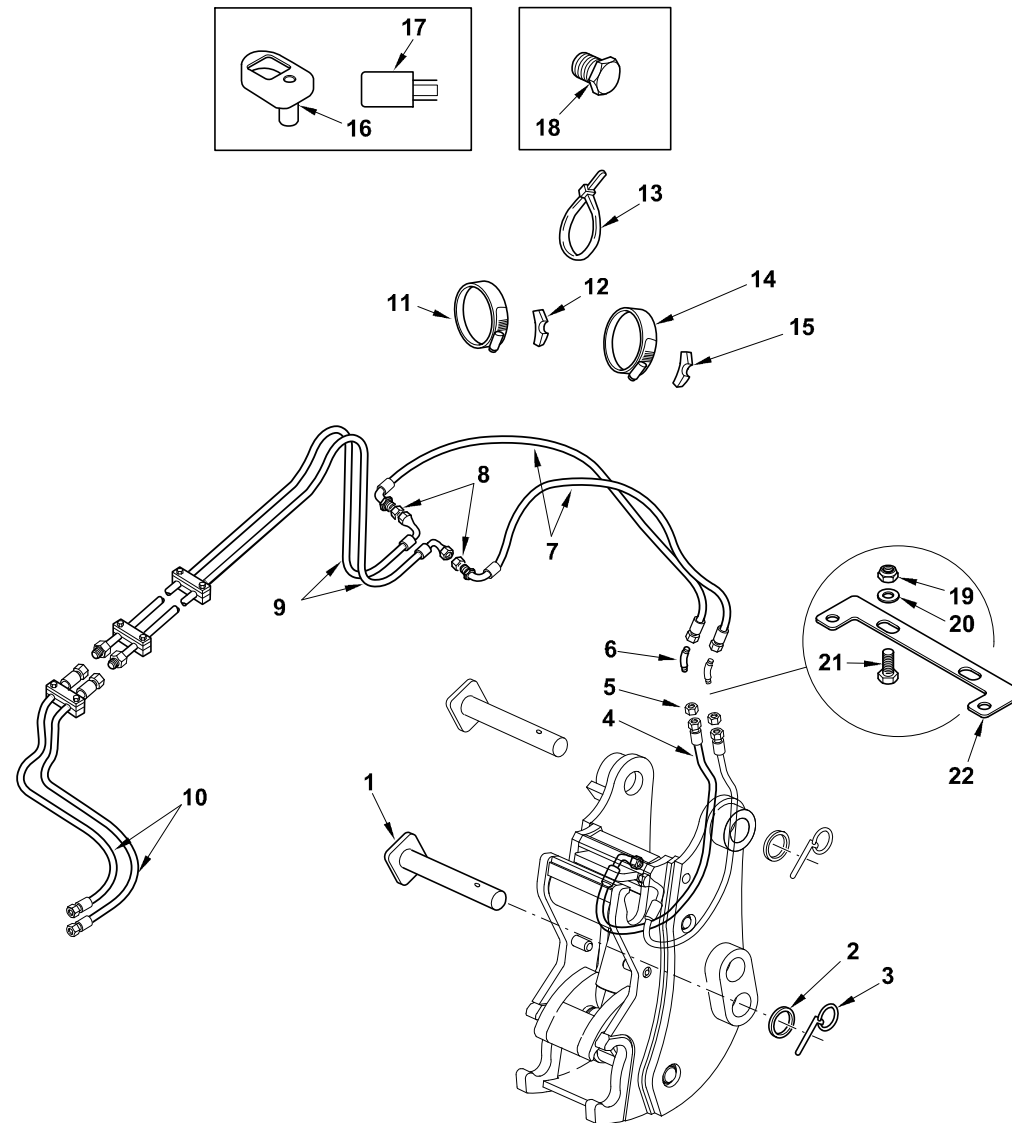
C-90033-03.1-A



Item	Part No.	Qty.	English	French	German	Spanish	Remarks
1	6106011M91	1	Valve-Digger Quick Attach.	Électrovalve	Magnetventil	Electroválvula	
2	#BODY	1	Body	Body	Body	Body	
3	6193020M91	1	Cartridge Assy	Cartouche Ass.	Einsatz Kplt	Solenoido, Conj.	
4	#NUT	1	Nut	Ecrou	Mutter	Tuerca	
5	#CARTRIDGE	1	Cartridge	Cartridge	Cartridge	Cartridge	
6	6193022M91	1	Kit Seal	Jeu Étanchéité	Dichtringsatz	Juego De Juntas	
7	6191096M91	1	Coil Assy.	Bobine	Wicklung, Spule	Bobina	
8	6193021M1	1	Restrictor	Réduction	Reduzierstück	Reducción	



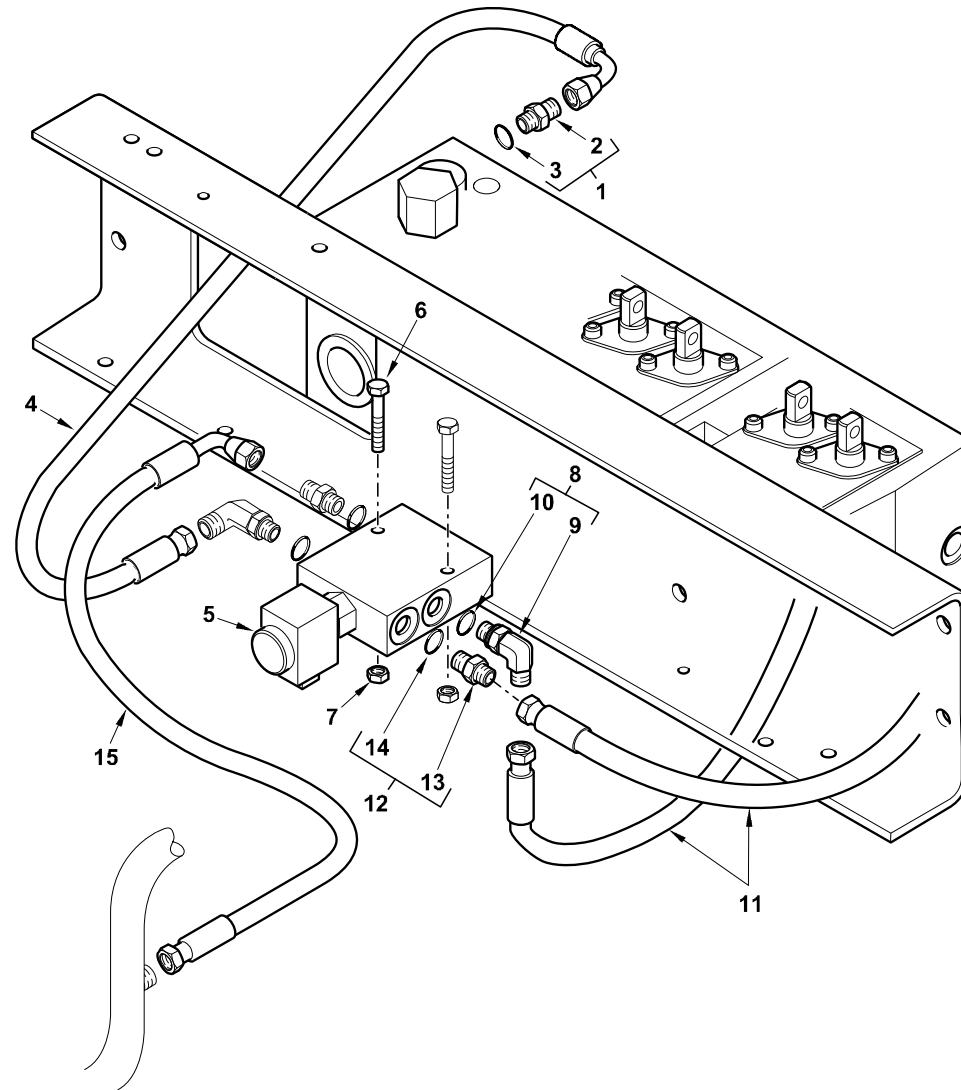
C-90034-01.1-A



Item	Part No.	Qty.	English	French	German	Spanish	Remarks
1	3516519M94	2	Pin & Plate 45-322,5	Axe	Bolzen	Pasador	
2	3501790M1	2	Washer M46-65-5 Z	Rondelle	Scheibe	Arandela	
3	3516522M91	2	Pin Safety Linch	Goupille D´Arrêt	Klappstecker	Pasador De Parada	
4	T101116	2	Hose Assy - Fully Hydraulic Q/A	Ensemble Durit	Schlauch Kpl	Con. De Manguera	
5	356612X1	2	Nut 7/16" Unf	Ecrou Unf	Mutter 7/16" Unf	Tuerca	
6	371089X1	2	Elbow 45 Deg	Coude, 45	Kniestück, 45°	Codo, 45°	
7	6102922M92	2	Hose-Miller Q/Attach Hyd.	Ensemble Durit	Schlauch Kpl	Flexible, Conj.	
8	356612X1	2	Nut 7/16" Unf	Ecrou Unf	Mutter 7/16" Unf	Tuerca	
9	3518145M91	2	Hose Assy	Flexible	Schlauch Kpl	Flexible, Conj.	
10	#HOSE ASSY	2	Hose Assy	Hose Assy	Hose Assy	Hose Assy	90034c02.1 11
11	3517732M1	1	Clip, Hose	Collier Durit	Schlauchschelle	Argolla De Fijación	
12	D142787	1	Saddle (See 142787d)	Selle	Sattel	Bloque De Caucho	
13	1664405M1	6	Tie Mm T50s	Attache Cable	Kabelbinder	Enlace De Cable	
14	3517731M1	1	Clamp-Hose	Bride Pour Tutaux	Schlauchschelle	Argolla De Fijación	
15	D142787	1	Saddle (See 142787d)	Selle	Sattel	Bloque De Caucho	
16	6101777M91	1	Cover Assy. - Switch Operating	Cache	Abdeckung	Tapa	
17	6102490M1	1	Relay-Micro	Relais	Relais	Relé	
18	356577X1	2	Cap Blanking 7/16 Jic	Chapeau	Kappe	Sombbrero	
19	1440329X1	2	Nut, Hex. - Nyloc, M10	Ecrou Blocage	Flachmutter M10	Tuerca De Retención	
20	390597X1	2	Washer, Large - M10	Rondelle	Scheible	Arandela	
21	3009492X1	2	Bolt - Hex. M10 X 25	Boulon M10 X 25	Schraube M10 X 25	Tornillo	
22	6112498M1	1	Bracket	Support Fixation	Haltearm	Pata De Fijación	



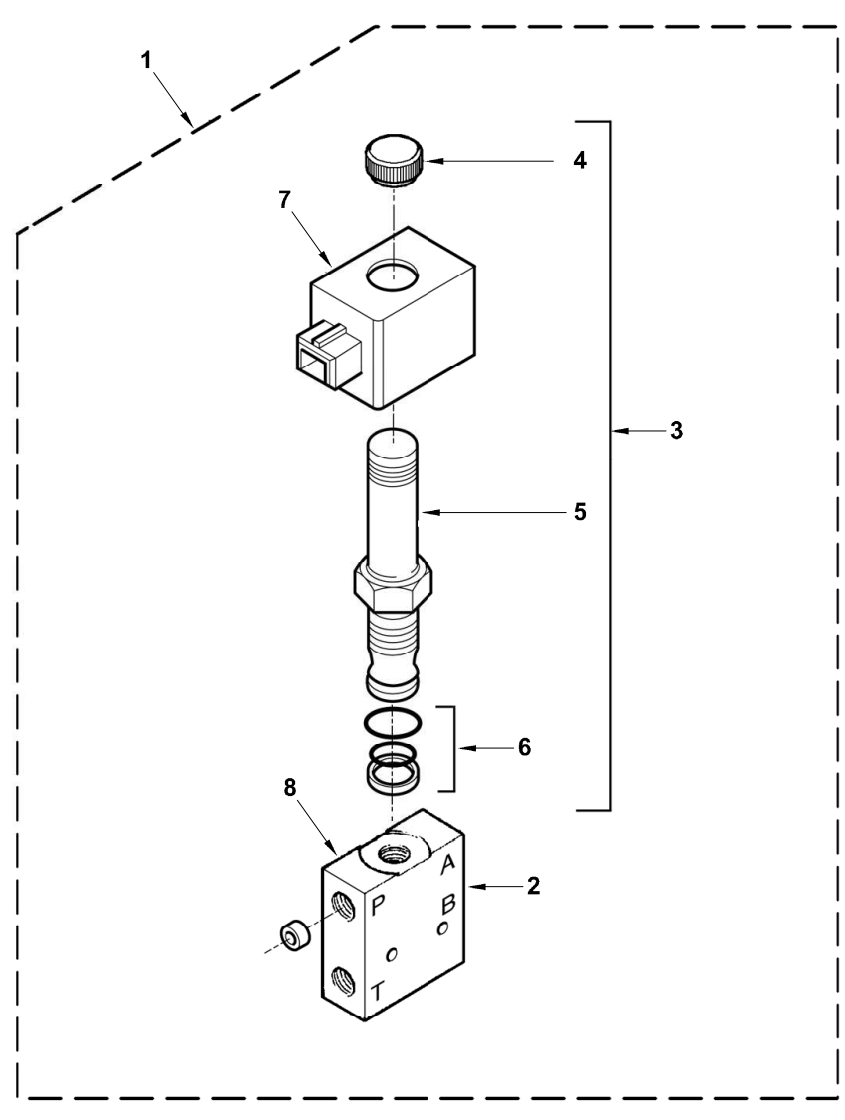
C-90034-02.1-A



Item	Part No.	Qty.	English	French	German	Spanish	Remarks
1	365830X91	1	Connector	Adaptateur	Reduziernippel	Unión	
2	#UNION	1	Union	Union	Union	Union	Ref. 1
3	#O-RING	1	O-Ring	Joint Torique	O-Ring	Junta Tórica	
4	6109910M91	1	Hose Assy - Q/A Feed	Flexible Ass.	Schlauch Kpl	Flexible, Conj.	
5	6106011M91	1	Valve-Digger Quick Attach.	Électrovalve	Magnetventil	Electroválvula	90034c03.1
6	391244X1	2	Bolt M6-45 Z5s	Goupille	Bolzen - M6 X 45	Perno	
7	1441500X1	2	Nut M6 Z5 Nyloc	Ecrou	Flachmutter M6	Tuerca De Retención	
8	370807X91	2	Elbow 90 7/16jic9/16or	Coude, 90	Kniestück, 90°	Codo, 90°	
9	#ELBOW	1	Elbow	Elbow	Elbow	Elbow	Ref. 8
10	831452M1	1	O Ring (Pack Of 10)	Joint Torique	O Ring	Junta De Tipo O	
11	6102806M91	2	Hose-Quick Attach	Flexible Ass.	Schlauch Kpl	Flexible, Conj.	
12	365065X91	2	Connector 7/16x9/16	Borne	Doppelnippel	Unión	
13	#UNION	1	Union	Union	Union	Union	Ref. 12
14	831452M1	1	O Ring (Pack Of 10)	Joint Torique	O Ring	Junta De Tipo O	
15	3519226M91	1	Hose Assy	Flexible Ass.	Schlauch Kpl	Flexible, Conj.	



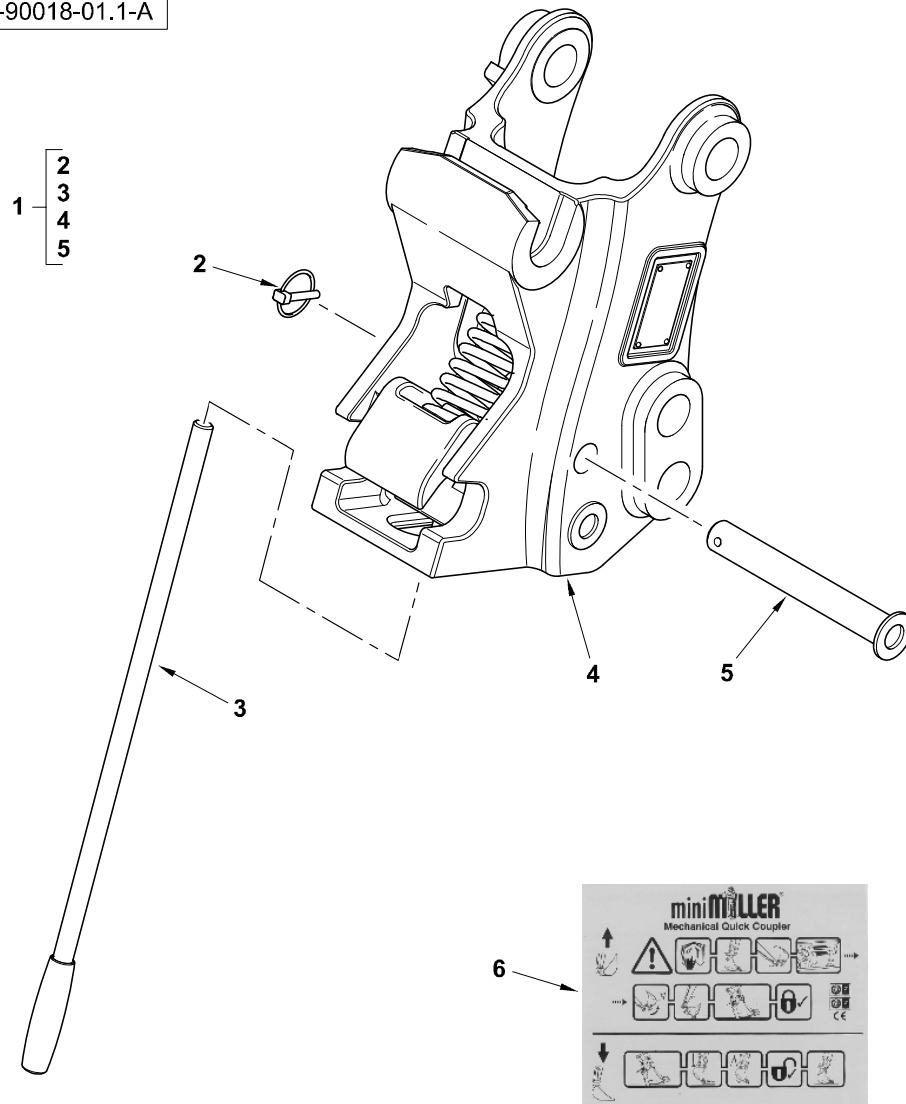
C-90034-03.1-A



Item	Part No.	Qty.	English	French	German	Spanish	Remarks
1	6106011M91	1	Valve-Digger Quick Attach.	Électrovalve	Magnetventil	Electroválvula	90034c02.1 5
2	#BODY	1	Body	Body	Body	Body	Ref. 1
3	6193020M91	1	Cartridge Assy	Cartouche Ass.	Einsatz Kplt	Solenoido, Conj.	
4	#NUT	1	Nut	Ecrou	Mutter	Tuerca	Ref. 3
5	#CARTRIDGE	1	Cartridge	Cartridge	Cartridge	Cartridge	Ref. 3
6	6193022M91	1	Kit Seal	Jeu Étanchéité	Dichtringsatz	Juego De Juntas	
7	6191096M91	1	Coil Assy.	Bobine	Wicklung, Spule	Bobina	
8	6193021M1	1	Restrictor	Réduction	Reduzierstück	Reducción	



C-90018-01.1-A



Item	Part No.	Qty.	English	French	German	Spanish	Remarks
1	6114796M91	1	Miller Mechanical Digger Q/A	Ensem. D'attal. Rapide	Schnellkupplung Kpl.	Engan. Rapido. Conj.	
2	6114817M1	1	Lynch Pin Miller Mechanical Q/A	Goupille 8mm	Vorstecker 8mm	Clavija 8mm	
3	6114815M1	1	Release Handle Miller Mechanical Q/A	Poignee	Handgriff	Maneta	
4	#MOUNT	1	Mount	Mount	Mount	Mount	Ref. 1
5	6114816M1	1	Pin Miller Mechanical Q/A	Goupille	Bolzen	Pasador	
6	6114819M1	1	Decal - Miller Mechanical Q/A	Decalcomanie	Aufkleber	Calcomania	

